

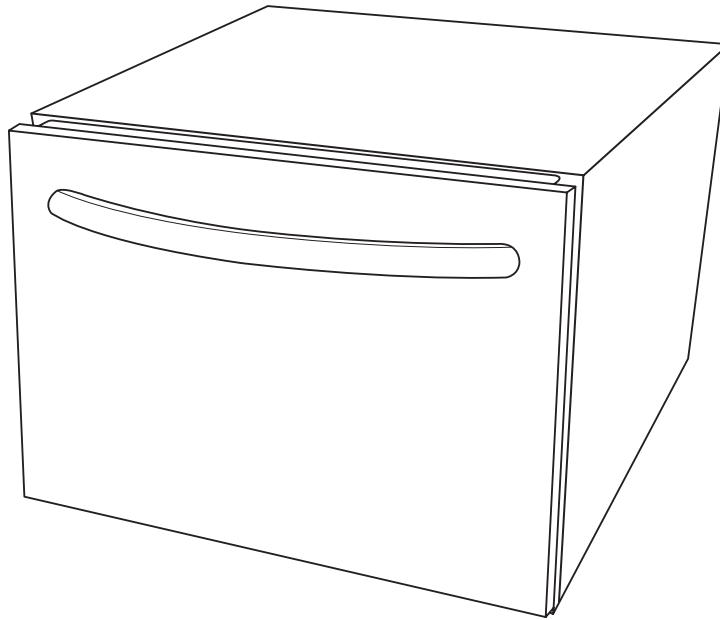
KitchenAid®

INSTALLATION INSTRUCTIONS DRAWER DISHWASHER

INSTRUCCIONES DE INSTALACIÓN DE LA LAVAVAJILLAS DE CAJÓN

INSTRUCTIONS D'INSTALLATION LAVE-VAISSELLE À TIROIR

Table of Contents/Índice/Table des matières.....2



IMPORTANT:

Save for local electrical inspector's use.

Installer: Leave installation instructions with the homeowner.

Homeowner: Keep installation instructions for future reference.

IMPORTANTE:

Guarde estas instrucciones para tenerlas a disposición del inspector de electricidad local.

Instalador: Deje las instrucciones de instalación con el propietario.

Propietario: Conserve las instrucciones de instalación para referencia futura.

IMPORTANT :

Conserver pour consultation par l'inspecteur local des installations électriques.

Installateur : Remettre les instructions d'installation au propriétaire.

Propriétaire : Conserver les instructions d'installation pour référence ultérieure.

W10155577B

TABLE OF CONTENTS

DISHWASHER SAFETY	3	Route Water Supply Line and Drain Hose	9
INSTALLATION REQUIREMENTS	4	Make Electrical Connection	10
Tools and Parts	4	Connect Water Supply Line and Drain Hoses	11
Location Requirements	4	Install Drawer and Trim Pieces	12
Electrical Requirements	5	Level and Secure Dishwasher	13
Water Supply Requirements	6	Complete Installation	14
Drain Requirements	6	OVERLAY PANEL INSTALLATION INSTRUCTIONS	15
INSTALLATION INSTRUCTIONS	6	Custom Overlay Drawer Panel	15
Unpack Dish Drawer	6	Preparing Custom Panel	15
Prepare Cabinet Opening	7	Install Panel Fasteners	16
Prepare Dishwasher	7	Mount the Overlay Panel	16
Route Electrical Wiring	8		

ÍNDICE

SEGURIDAD DE LA LAVAVAJILLAS	17	Conexión del suministro eléctrico	23
REQUISITOS DE INSTALACIÓN	18	Conecte la línea de suministro de agua y las mangueras de desagüe	25
Piezas y herramientas	18	Instale el cajón y las piezas de adorno	26
Requisitos de ubicación	18	Nivele y asegure la lavavajillas	27
Requisitos eléctricos	19	Complete la instalación	27
Requisitos del suministro de agua	20	INSTRUCCIONES DE INSTALACIÓN DE LOS PANELES RECUBIERTOS	29
Requisitos de desagüe	20	Panel del cajón recubierto a la medida	29
INSTRUCCIONES DE INSTALACIÓN	20	Preparación del panel a la medida	29
Desempaque el cajón para platos	20	Cómo instalar los sujetadores del panel	30
Prepare la abertura en el armario	21	Cómo montar el panel recubierto	30
Prepare la lavavajillas	21		
Dirija el cableado eléctrico	22		
Dirija la línea de suministro de agua y la manguera de desagüe	23		

TABLE DES MATIÈRES

SÉCURITÉ DU LAVE-VAISSELLE	31	Raccordement du circuit électrique	38
EXIGENCES D'INSTALLATION	32	Raccordement du tuyau d'arrivée d'eau et du tuyau d'évacuation	39
Outils et composants	32	Installation du tiroir et des cornières de garniture	40
Exigences d'emplacement	32	Établissement de l'aplomb du lave-vaisselle; arrimage de l'appareil	41
Spécifications électriques	33	Achever l'installation	42
Spécifications de l'alimentation en eau	34	INSTRUCTIONS D'INSTALLATION DU PANNEAU DÉCORATIF	43
Évacuation de l'eau de lavage - Critères à respecter	34	Panneau décoratif de tiroir personnalisé	43
INSTRUCTIONS D'INSTALLATION	34	Préparation du panneau personnalisé	43
Déballage du lave-vaisselle	34	Installation des dispositifs de fixation de panneau	44
Préparation de l'espace d'installation entre les placards	35	Montage du panneau décoratif	44
Préparation du lave-vaisselle	35		
Installation du câblage électrique	36		
Installation du tuyau d'arrivée d'eau et du tuyau d'évacuation	37		

DISHWASHER SAFETY

Your safety and the safety of others are very important.

We have provided many important safety messages in this manual and on your appliance. Always read and obey all safety messages.



This is the safety alert symbol.

This symbol alerts you to potential hazards that can kill or hurt you and others.

All safety messages will follow the safety alert symbol and either the word "DANGER" or "WARNING."

These words mean:

⚠ DANGER

You can be killed or seriously injured if you don't immediately follow instructions.

⚠ WARNING

You can be killed or seriously injured if you don't follow instructions.

All safety messages will tell you what the potential hazard is, tell you how to reduce the chance of injury, and tell you what can happen if the instructions are not followed.

IMPORTANT SAFETY INSTRUCTIONS

WARNING: When using the dishwasher, follow basic precautions, including the following:

- Read all instructions before using the dishwasher.
- Use the dishwasher only for its intended function.
- Use only detergents or rinse agents recommended for use in a dishwasher, and keep them out of the reach of children.
- When loading items to be washed:
 - 1) Locate sharp items so that they are not likely to damage the door seal; and
 - 2) Load sharp knives with the handles up to reduce the risk of cut-type injuries.
- Do not wash plastic items unless they are marked "dishwasher safe" or the equivalent. For plastic items not so marked, check the manufacturer's recommendations.
- Do not touch the heating element during or immediately after use.
- Do not operate the dishwasher unless all enclosure panels are properly in place.
- Do not tamper with controls.
- Do not abuse, sit on, or stand on the door, lid, or dish racks of the dishwasher.
- To reduce the risk of injury, do not allow children to play in or on the dishwasher.
- Under certain conditions, hydrogen gas may be produced in a hot water system that has not been used for two weeks or more. **HYDROGEN GAS IS EXPLOSIVE.** If the hot water system has not been used for such a period, before using the dishwasher turn on all hot water faucets and let the water flow from each for several minutes. This will release any accumulated hydrogen gas. As the gas is flammable, do not smoke or use an open flame during this time.
- Remove the door or lid to the washing compartment when removing an old dishwasher from service or discarding it.

SAVE THESE INSTRUCTIONS

You need to:

- Slowly open dishwasher drawer while someone grasps the rear of the dishwasher. Remove shipping materials. Close dishwasher drawer. Latch the dishwasher drawer shut.
- Observe all governing codes and ordinances.
- Install this dishwasher as specified in these instructions.
- Have everything you need to properly install dishwasher.
- Contact a qualified installer to ensure that dishwasher is installed to meet all electrical and plumbing national and local codes and ordinances.

INSTALLATION REQUIREMENTS

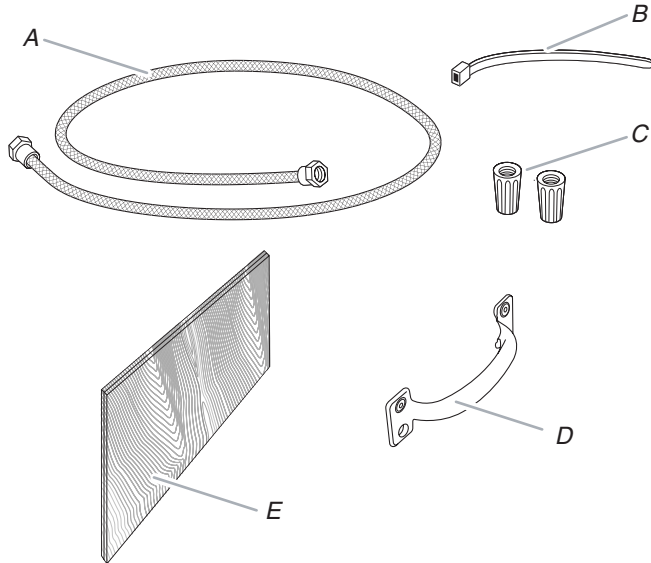
Tools and Parts

Gather the required tools and parts before starting installation. Read and follow the instructions provided with any tools listed here.

Tools needed

- Pliers
- Phillips screwdriver
- Flat-blade screwdriver
- 3/16" and 1/4" nut drivers or hex sockets
- Measuring tape or ruler
- 1 1/2" hole saw bit
- 10" adjustable wrench
- Utility knife
- Level
- Electric drill
- 1/8" drill bit
- Security T-20 TORX[†] driver (if installing custom front panels)

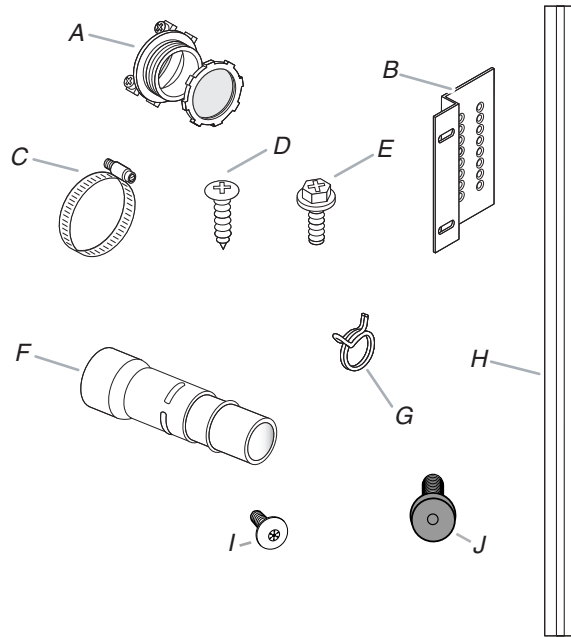
Parts needed



- A. 60" (152.4 cm) flexible water supply line
- B. Zip tie
- C. 2 appropriate sized UL listed wire connectors
- D. Hardware (if installing custom front panels)
- E. Overlay panel (if installing custom front panels)

Parts Supplied

Check that all parts are included.



- A. 3/4" UL listed strain relief
- B. 2 mounting brackets
- C. 1.25" hose clamp
- D. 4 mounting bracket screws
- E. 2 unit mounting screws
- F. Drain connector
- G. Drain connector spring clamp
- H. 2 trim strips
- I. 2 panel fasteners (on some models)
- J. 10 TORX[†] screws (on some models)

Location Requirements

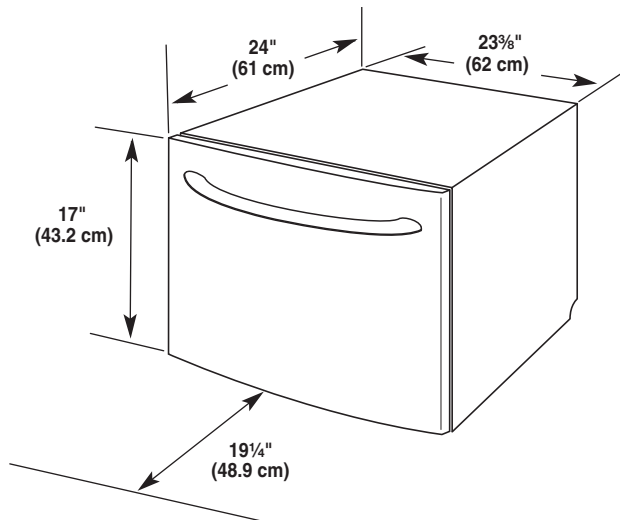
IMPORTANT: Observe all governing codes and ordinances. Failure to meet codes and ordinances could lead to fire or electrical shock.

Proper installation is your responsibility.

- Contact a qualified installer to ensure that the dishwasher is installed to meet all electrical and plumbing national and local codes and ordinances.
- Install the dishwasher as specified in these instructions.
- Have everything you need to properly install dishwasher.
- Protect dishwasher and water lines leading to dishwasher against freezing. Damage from freezing is not covered by the warranty.
- This dishwasher is manufactured for indoor use only.
- Install and level dishwasher on a floor that will hold the weight, and in an area suitable for its size and use.

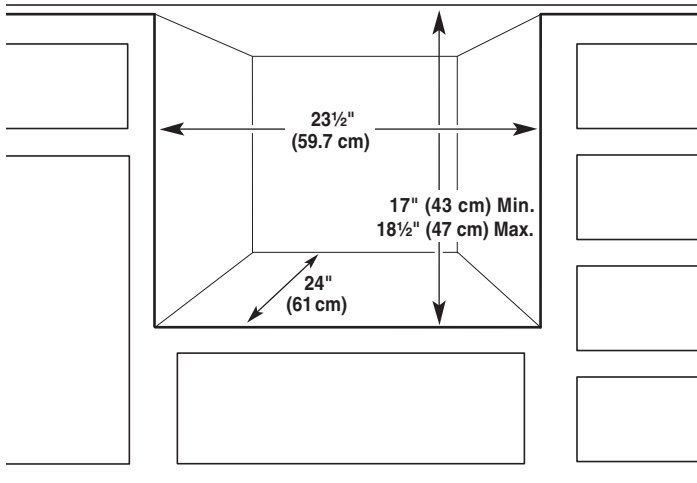
[†]TORX is a registered trademark of Textron Innovations Inc.

Product Dimensions

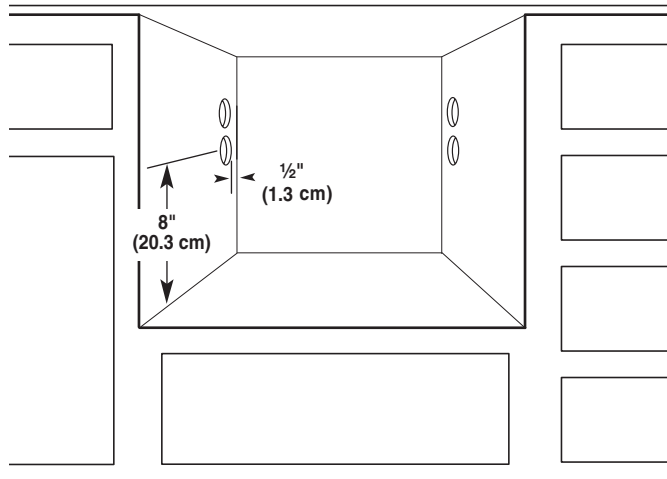


Installation Clearances

Cutout dimensions



Preferred utility area



- A. Choose left-hand or right-hand drain and water connection route.
B. Choose left-hand or right-hand electric connection route.

NOTE: All holes should be drilled at 1¹/₂" (3.8 cm) diameter.

Electrical Requirements

⚠ WARNING



Electrical Shock Hazard

Plug into a grounded 3 prong outlet.

Do not remove ground prong.

Do not use an adapter.

Do not use an extension cord.

Failure to follow these instructions can result in death, fire, or electrical shock.

GROUNDING INSTRUCTIONS

■ For a grounded, cord-connected dishwasher:

The dishwasher must be grounded. In the event of a malfunction or breakdown, grounding will reduce the risk of electric shock by providing a path of least resistance for electric current. The dishwasher is equipped with a cord having an equipment-grounding conductor and a grounding plug. The plug must be plugged into an appropriate outlet that is installed and grounded in accordance with all local codes and ordinances.

WARNING: Improper connection of the equipment-grounding conductor can result in a risk of electric shock. Check with a qualified electrician or service representative if you are in doubt whether the dishwasher is properly grounded. Do not modify the plug provided with the dishwasher; if it will not fit the outlet, have a proper outlet installed by a qualified electrician.

■ For a permanently connected dishwasher:

The dishwasher must be connected to a grounded metal, permanent wiring system, or an equipment-grounding conductor must be run with the circuit conductors and connected to the equipment-grounding terminal or lead on the dishwasher.

SAVE THESE INSTRUCTIONS

Contact a qualified electrician.

Ensure that the electrical installation is adequate and in conformance with all national and local codes and ordinances.

You must have:

- 120-volt, 60 Hz, AC-only, 15 or 20 amp fused electrical supply.
- Copper wire only.

We recommend:

- A time-delay fuse or circuit breaker.
- A separate circuit.

If direct wiring dishwasher:

- Use flexible, armored or nonmetallic sheathed, copper wire with grounding wire that meets the wiring requirements for your home and local codes and ordinances.
- Use strain relief method provided with house wiring junction box or install a UL-listed/CSA-certified clamp connector to the house wiring junction box. If using conduit, use a UL-listed/CSA-certified conduit connector.

If connecting dishwasher with a power supply cord:

- Use Power Supply Cord Kit (Part Number 4317824) marked for use with dishwashers. Kit contents include:
 - Voltex, Inc., UL listed 16 gauge 3 wire power supply cord with 3 prong grounded plug.
 - Neer C-500 7/8" strain relief.
 - 3 wire connectors.
 - Part Number 302797 grommet.

Follow the kit instructions for installing the power supply cord.

- Power supply cord must plug into a mating three prong, grounded outlet, located in the cabinet next to the dishwasher opening. Outlet must meet all local codes and ordinances.

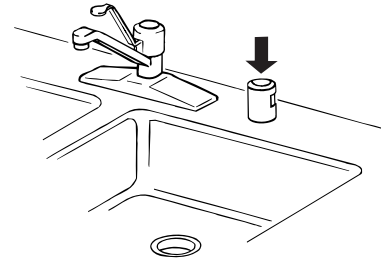
IMPORTANT: If you plan to install a garbage disposer, an additional separate 120-volt, 60 Hz, AC-only, 15 or 20 amp fused electrical supply is required.

Water Supply Requirements

- A hot water line with 20-120 psi (138-862 kPa) water pressure.
- 120°F (49°C) water temperature at dishwasher.
- Flexible stainless steel braided fill line (1/2" minimum plastic tubing is not recommended).

Drain Requirements

- Use the new drain hose supplied with your dishwasher. If this is not long enough, use a new drain hose with maximum length of 12 ft (3.7 m) that meets all current AHAM/IAPMO test standards, is resistant to heat and detergent, and fits the 1" (2.5 cm) drain connector of the dishwasher.
- Connect drain hose to waste tee or disposer inlet above drain trap in house plumbing and 20" (50.8 cm) minimum above the floor. It is recommended that the drain hose either be looped up and securely fastened to the underside of the counter, or be connected to an air gap.



INSTALLATION INSTRUCTIONS

⚠ WARNING



Electrical Shock Hazard

Disconnect electrical power at the fuse box or circuit breaker box before installing dishwasher.

Failure to do so can result in death or electrical shock.

1. Disconnect power.
2. Turn off water supply.

Unpack Dish Drawer

⚠ WARNING

Excessive Weight Hazard

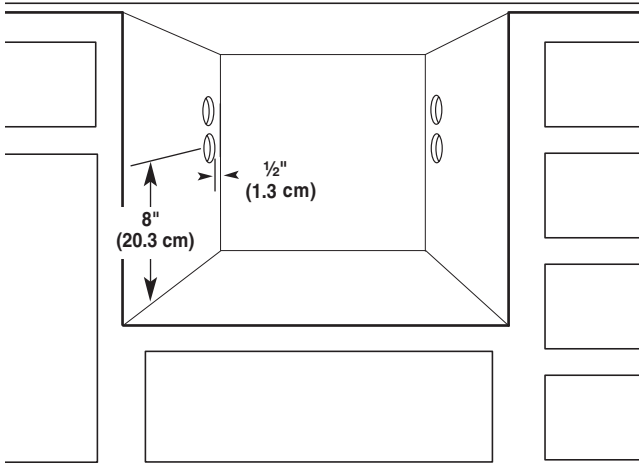
Use two or more people to move and install dishwasher.

Failure to do so can result in back or other injury.

1. Read valuable information on exterior of shipping box before opening.
2. Remove shipping materials, tape and film from the dishwasher. Remove parts package from inside the dishwasher.

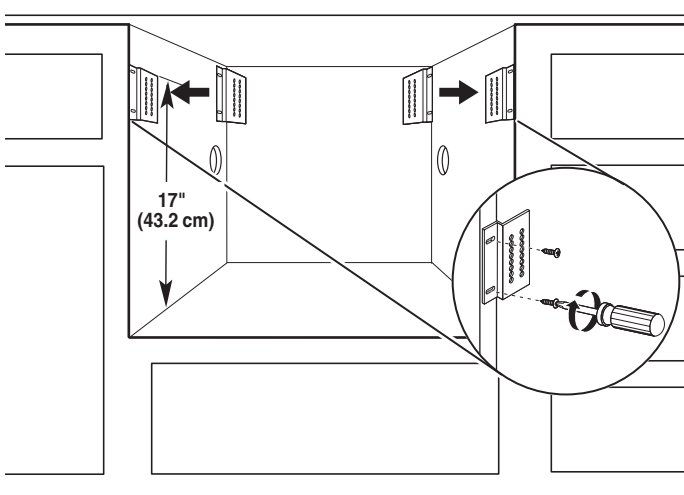
Prepare Cabinet Opening

- To ensure minimum clearance dimensions exist:
 - Measure the distance from the cabinet countertop to the cabinet floor and ensure 17" (43.2 cm) minimum height.
 - Measure the distance from the front of the cabinet to the back wall and ensure 24" (61 cm) minimum depth.
 - Measure the distance from the left-hand side to the right-hand side of opening and ensure 23½" (59.7 cm) minimum width.
- Drill 1½" (3.8 cm) diameter holes for drain and water hoses and electrical wiring as shown. Holes should be placed ½" (1.3 cm) from back wall.



- A. Choose left-hand or right-hand drain and water hose route.
 B. Choose left-hand or right-hand electric wire route.

- Install mounting brackets 17" (43.2 cm) from cabinet opening floor using screws provided. If needed, drill ⅛" pilot holes in cabinet.



Prepare Dishwasher

⚠ WARNING



Tip Over Hazard

Do not open dishwasher drawer until inside cabinet opening.

Doing so can result in death or serious injury.

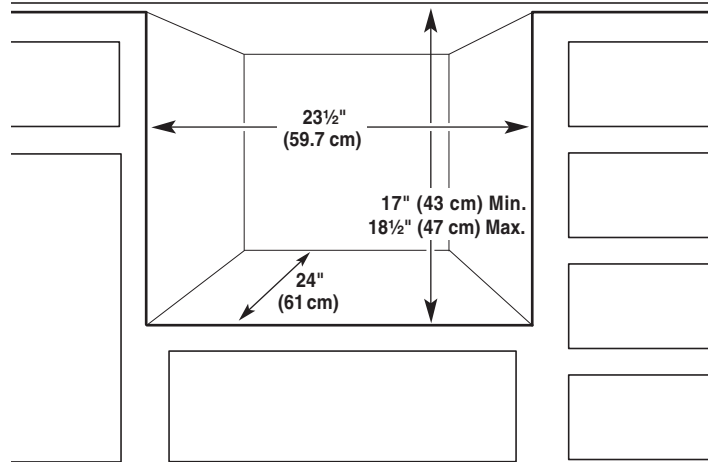
⚠ WARNING

Excessive Weight Hazard

Use two or more people to move and install dishwasher.

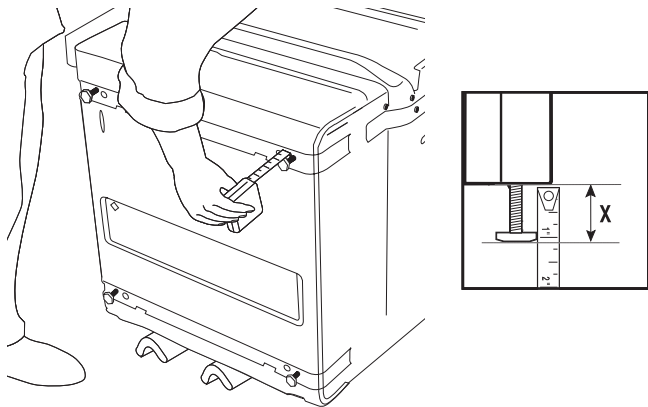
Failure to do so can result in back or other injury.

- Measure cabinet opening height from floor to bottom of countertop.



- Place corner packaging on the floor and place dishwasher on its back.

3. Adjust leveling legs based on the cabinet opening measurement and the chart below.



H	: X	H	: X
17" (43.2 cm)	: 0"	17 7/8" (45.4 cm)	: 7/8" (2.2 cm)
17 1/8" (43.5 cm)	: 1/8" (0.3 cm)	18" (45.7 cm)	: 1" (2.5 cm)
17 1/4" (43.8 cm)	: 1/4" (0.6 cm)	18 1/8" (46 cm)	: 1 1/8" (2.9 cm)
17 3/8" (44.1 cm)	: 3/8" (1 cm)	18 1/4" (46.4 cm)	: 1 1/4" (3.2 cm)
17 1/2" (44.5 cm)	: 1/2" (1.3 cm)	18 3/8" (46.7 cm)	: 1 3/8" (3.5 cm)
17 5/8" (44.8 cm)	: 5/8" (1.6 cm)	18 1/2" (47 cm)	: 1 1/2" (3.8 cm)
17 3/4" (45.1 cm)	: 3/4" (1.9 cm)		

4. Place dishwasher in upright position.

Route Electrical Wiring

⚠ WARNING



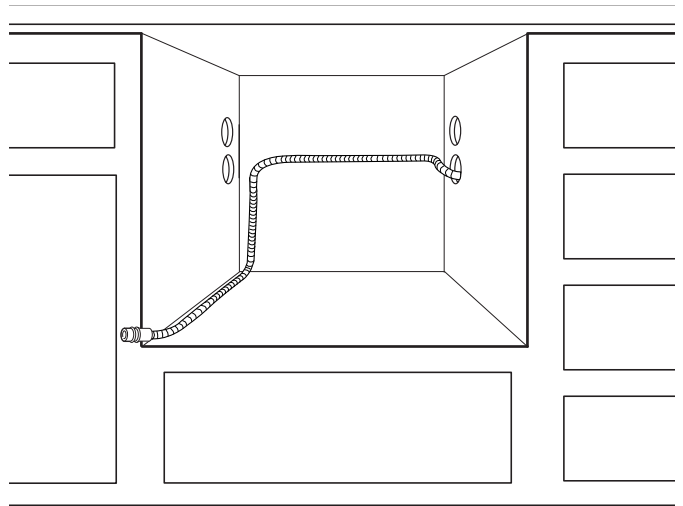
Electrical Shock Hazard

Disconnect electrical power at the fuse box or circuit breaker box before installing dishwasher.

Failure to do so can result in death or electrical shock.

Follow all national and local codes and ordinances for completing electrical supply to cabinet.

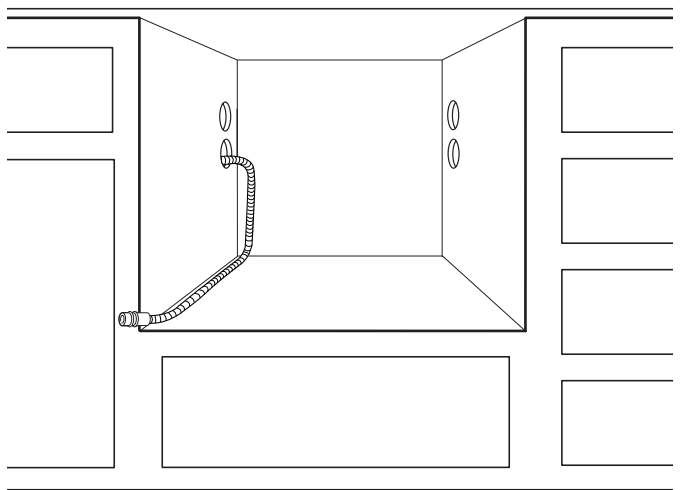
Option 1: Right-hand side utility route



Route wire through 1 1/2" (3.81 cm) hole located 8" (20.32 cm) above the floor.

After routing the electrical wire through the right-hand hole, attach the wire to back left-hand side of cabinet wall 8" (20.32 cm) above the cabinet floor. Then continue routing the wire along the left-hand side of cabinet opening to the front of the opening.

Option 2: Left-hand side utility route

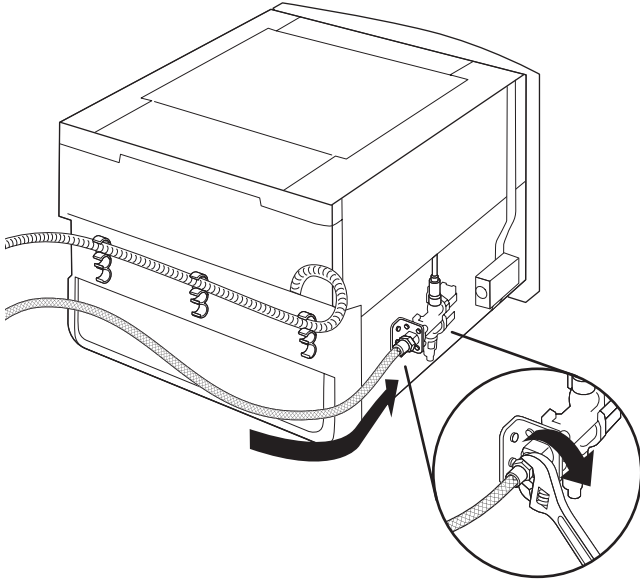


Route wire through 1 1/2" (3.81 cm) hole located 8" (20.32 cm) above the floor.

After routing the electrical wire through the left-hand hole, continue routing the wire along the left-hand side of cabinet floor to the front of the opening.

Route Water Supply Line and Drain Hose

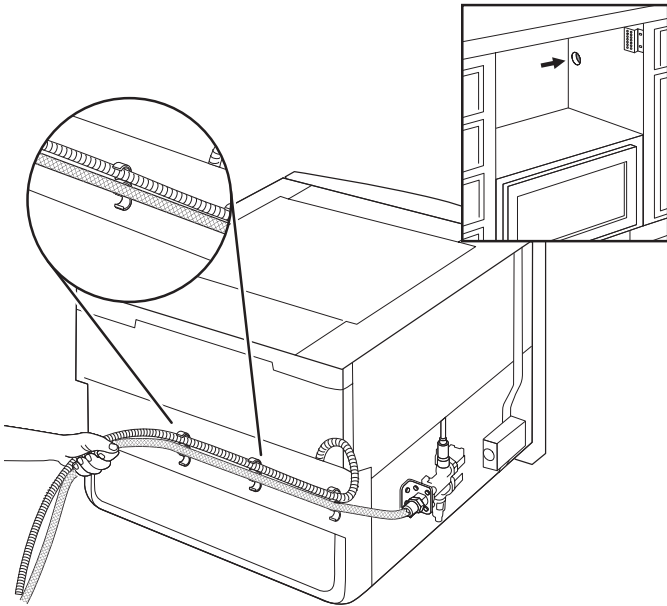
1. Connect water supply line to water valve on dishwasher.



2. Route water supply line and drain hoses based on your cabinet requirements.

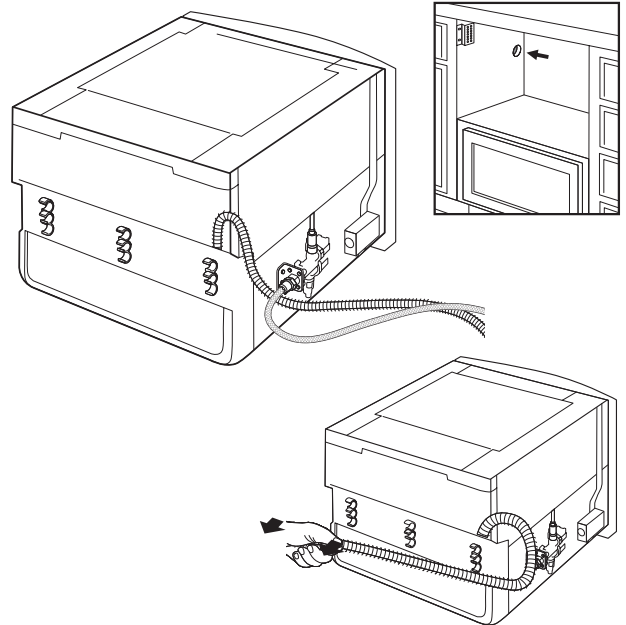
Option 1: Right-hand side utility access

- For right-hand routing, water supply and drain hoses are shipped in the correct position. Place the water supply line in the clip as shown.

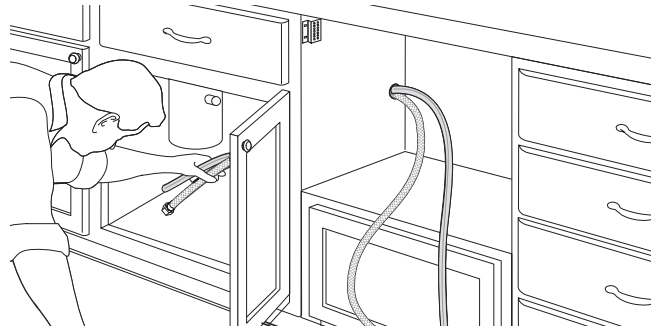


Option 2: Left-hand side utility access

- For left-hand routing, remove drain hoses from the clips in the rear bracket as shown.



- Route water supply line and drain hoses into the cabinet.



Make Electrical Connection

⚠️ WARNING

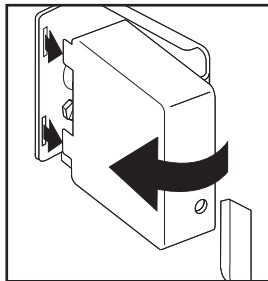
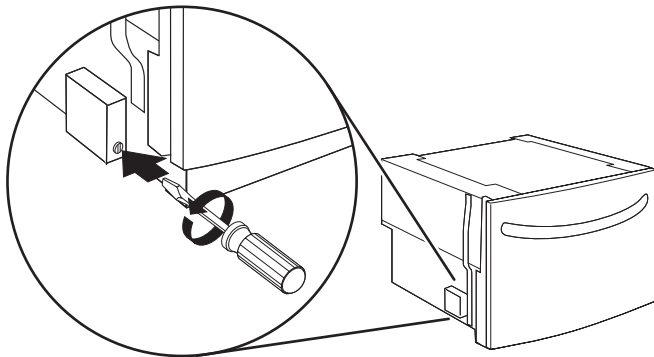


Electrical Shock Hazard

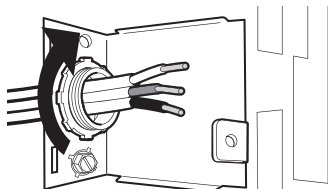
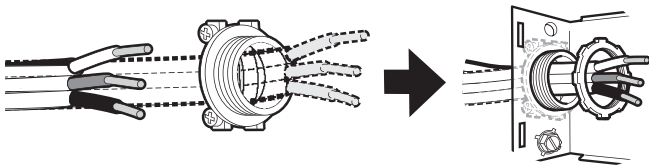
Disconnect electrical power at the fuse box or circuit breaker box before installing dishwasher.

Failure to do so can result in death or electrical shock.

1. Remove screw securing the electrical box cover. Remove cover.



2. Route electrical wires through strain relief and secure to electrical plate.



⚠️ WARNING



Electrical Shock Hazard

Electrically ground dishwasher.

Connect ground wire to green ground connector in terminal box.

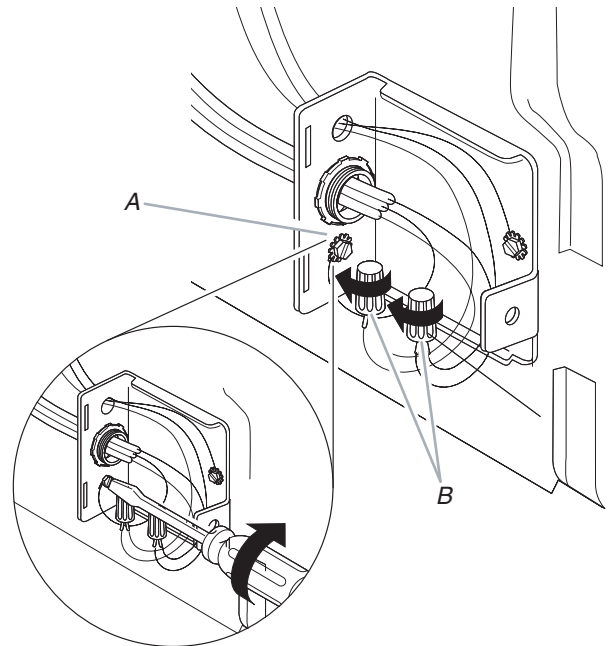
Do not use an extension cord.

Failure to follow these instructions can result in death, fire, or electrical shock.

3. Connect wires as follows using twist-on connectors sized to connect direct wire to 16 gauge dishwasher wire.

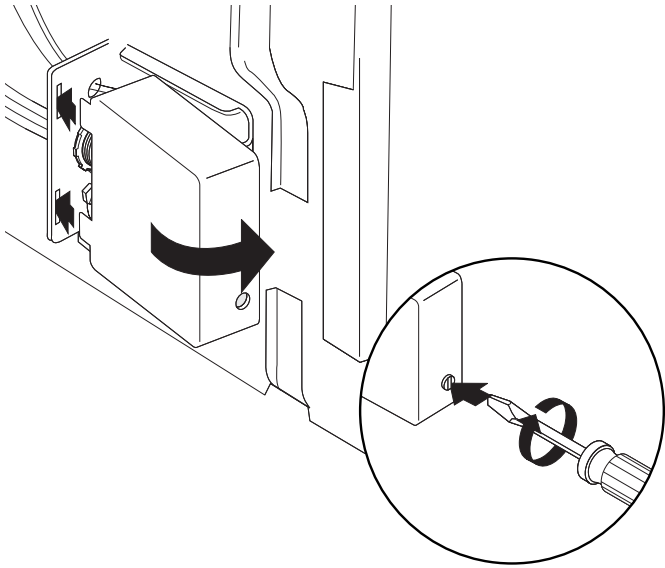
Power supply wire:		Terminal box wire:
white	↔	white
black	↔	black
ground wire	↔	ground connector

4. Attach ground wire to the green ground screw.

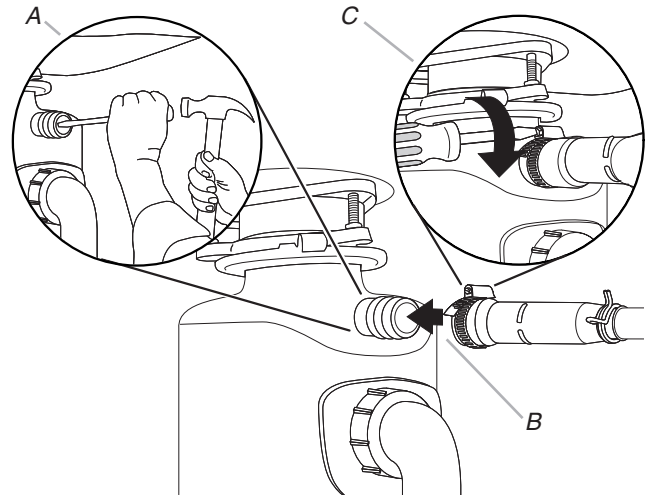


*A. Attach ground wire to green screw.
B. Attach white and black wires.*

- Reinstall electric box cover with all wires contained inside the terminal box.



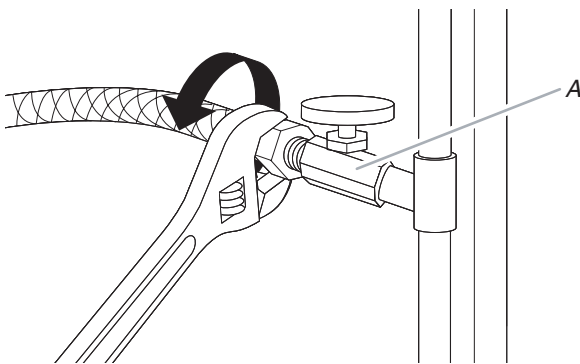
- Connect the drain hose using one of the following options:
Option 1: Waste disposer no drain air gap



A. For new construction, remove disposer plug.
B. Connect drain connector to waste disposer.
C. Tighten clamp.

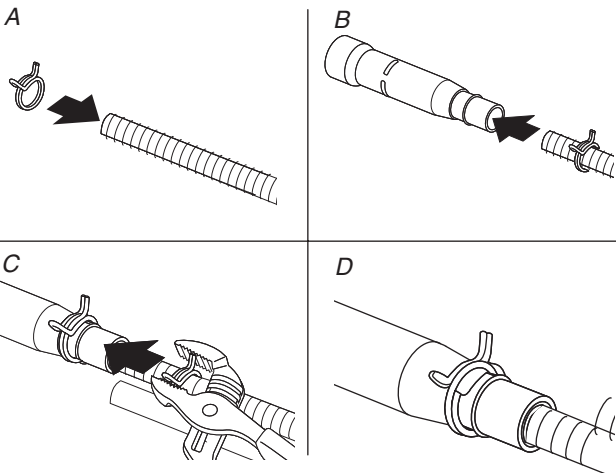
Connect Water Supply Line and Drain Hoses

- Connect water supply line to the water valve under the sink.

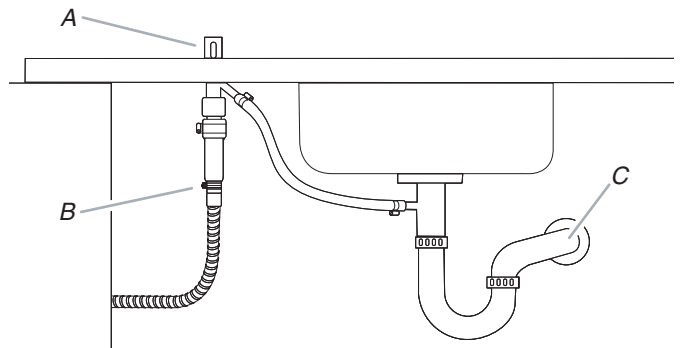


A. Hot water supply

- Slide clamps onto drain hoses (Figure A). Do not cut drain hoses.
- Push hose into drain connector until fully seated (Figure B). Several "clicks" will be heard.
- Slide clamp into position (figures C and D).

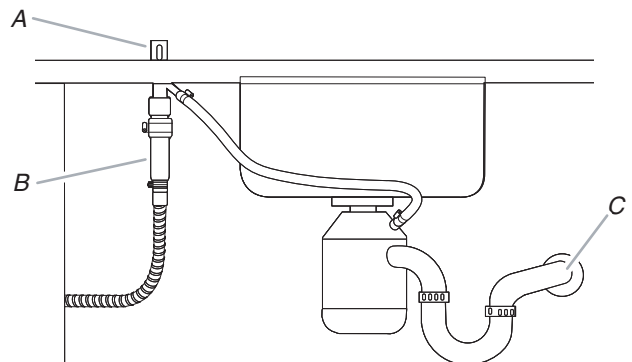


- Option 2: No waste disposer and drain air gap**



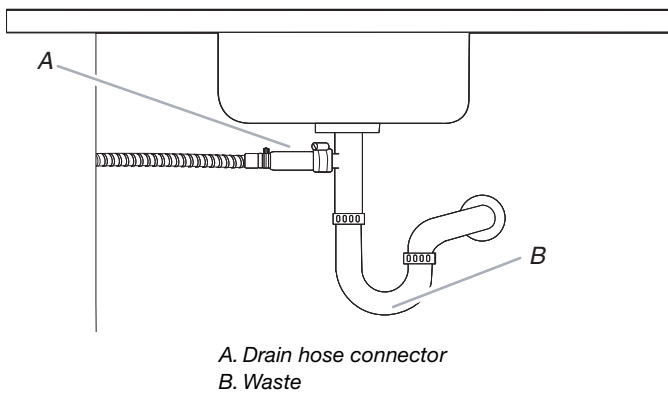
A. Drain hose connector
B. Drain air gap
C. Waste

- Option 3: Waste disposer and drain air gap**



A. Drain hose connector
B. Drain air gap
C. Waste

Option 4: No waste disposer, no drain air gap

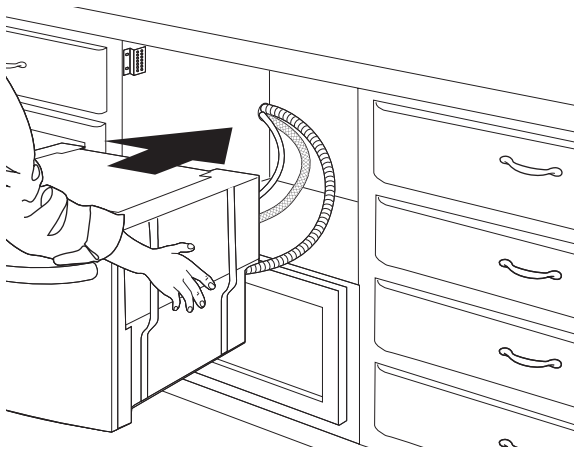


NOTE: Attach the drain hose connector to the water waste line using the supplied hose clamp.

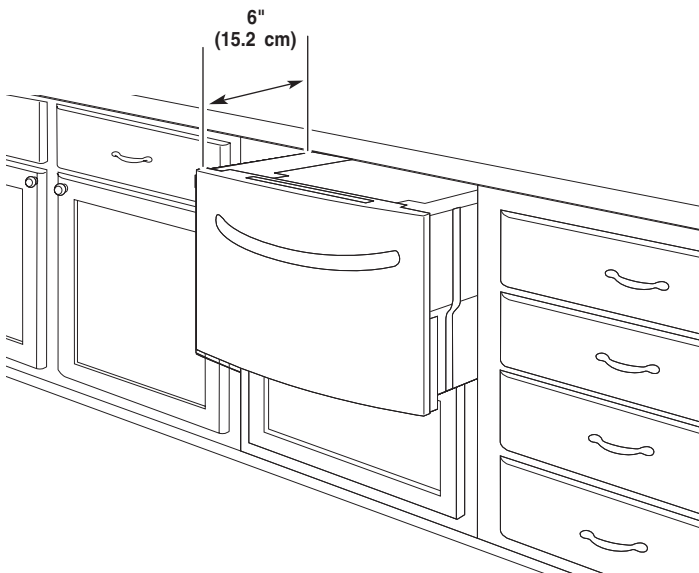
6. Turn on water and check for leaks.

Install Drawer and Trim Pieces

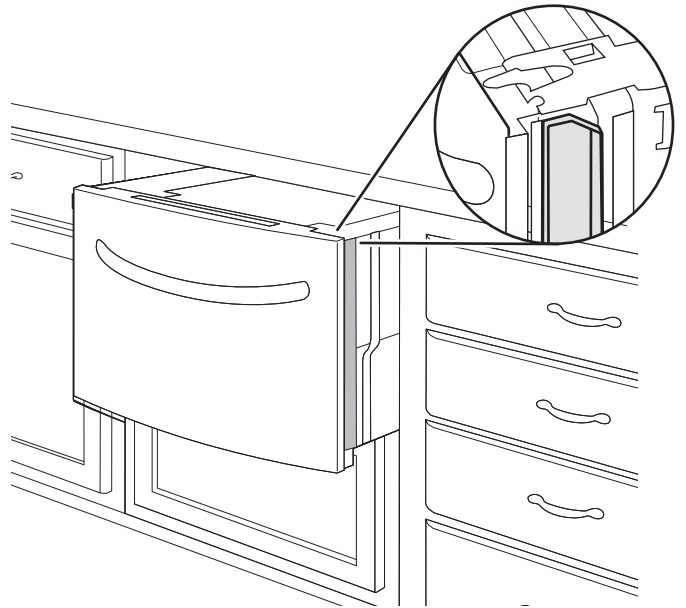
1. Feed hoses and wiring into the cabinet while sliding the drawer into position.



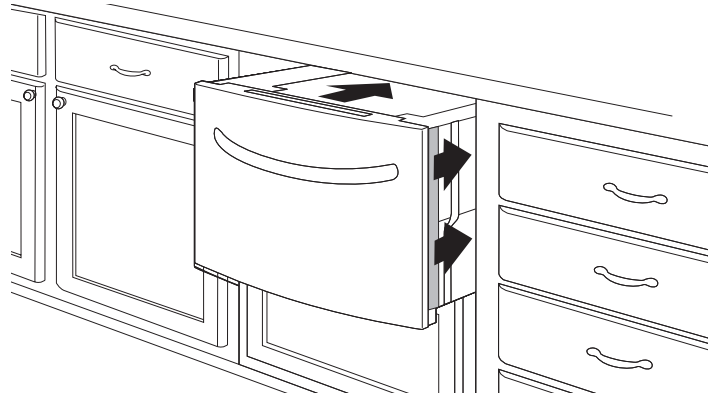
2. Keep the drawer pulled out about 6" (15.2 cm).



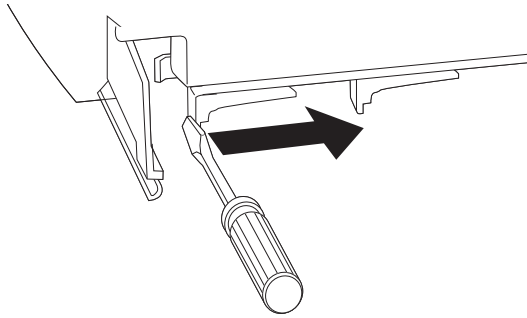
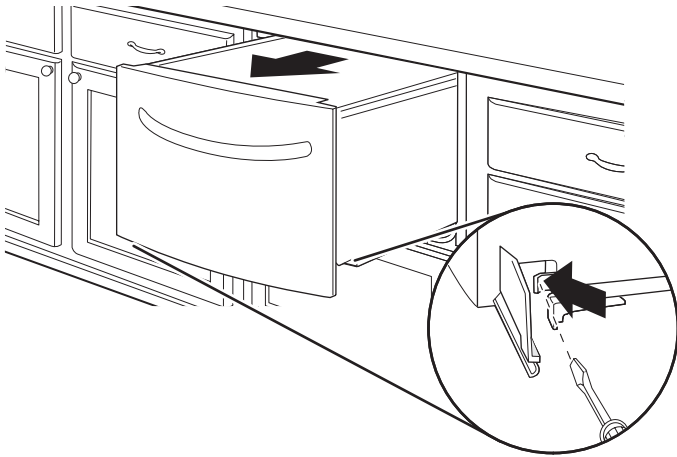
3. Place the trim strips on both sides as shown.



4. Slide drawer into position.

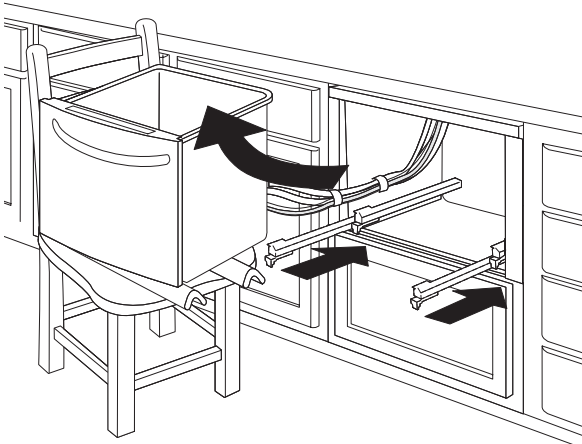


5. Pull out the drawer and push in the clips on both sides.



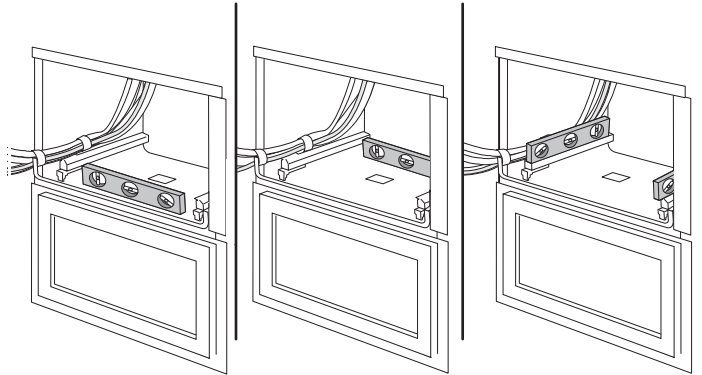
6. Slide rails back 5" (12.7 cm).

7. Lift drawer up and out of the cabinet opening and place on a chair with a covering. Slide rails back into the cabinet opening.

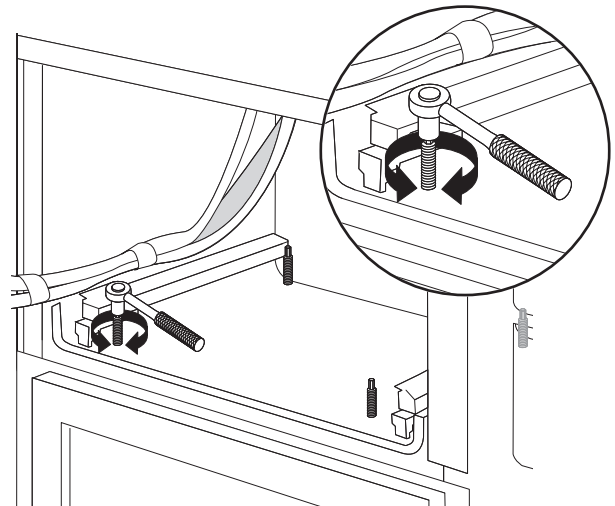


Level and Secure Dishwasher

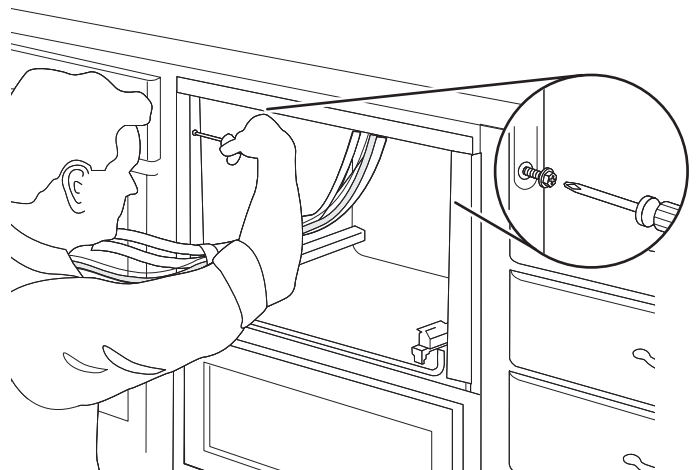
1. Check whether cabinet is level from left to right. Check whether cabinet is level from front to back by placing the level in the slide rails.



2. Adjust the legs with a $\frac{3}{16}$ " socket wrench to level the dishwasher.

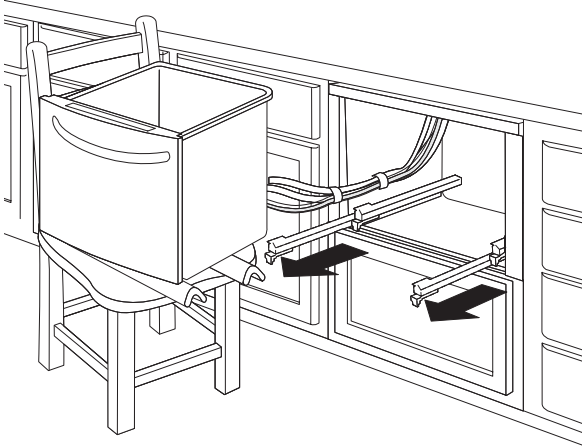


3. Attach dishwasher frame to the cabinet mounting bracket (installed earlier).

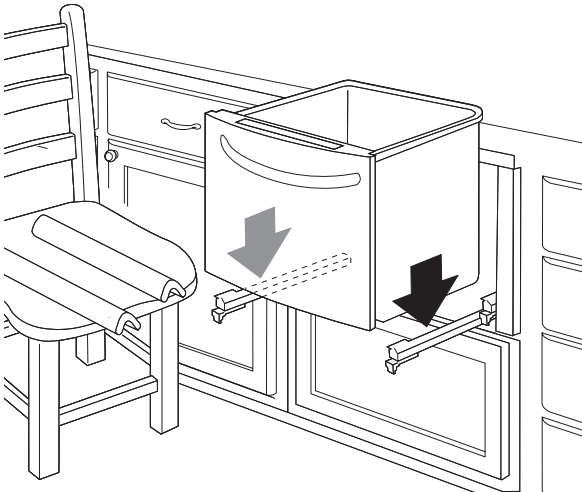


Complete Installation

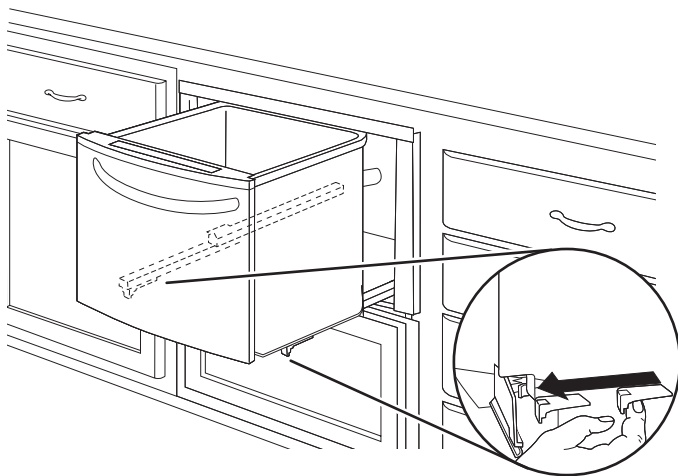
1. Pull out drawer rails.



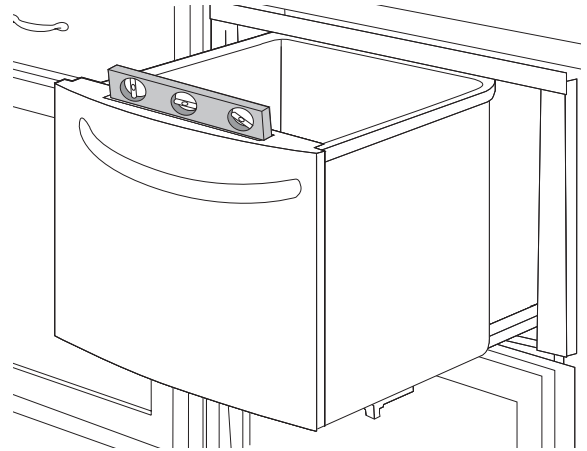
2. Set drawer onto rails.



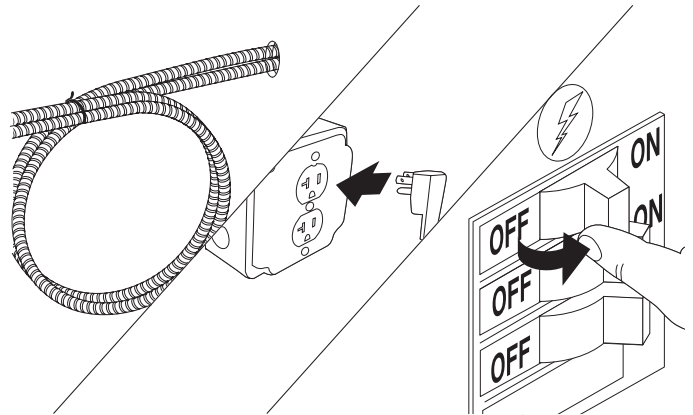
3. Pull rails forward until they snap into position.



4. Recheck left to right level by placing the level on the top of the drawer.



5. Slide the dishwasher into position in the cabinet opening. Check to ensure that the drain hose and electrical wiring are not kinked.
6. In the cabinet under the sink, coil excess drain hose and wrap with a zip tie. Plug in dishwasher or reconnect the power.



7. Select the Rinse Only cycle and press START/RESUME. Allow the dishwasher to fill, rinse and drain. Check for leaks. If leaks are found, secure the connection and repeat this step.

If you need Assistance or Service:

Please reference the "Assistance or Service" section of the User Instructions or contact the dealer from whom you purchased your dishwasher.

OVERLAY PANEL INSTALLATION INSTRUCTIONS

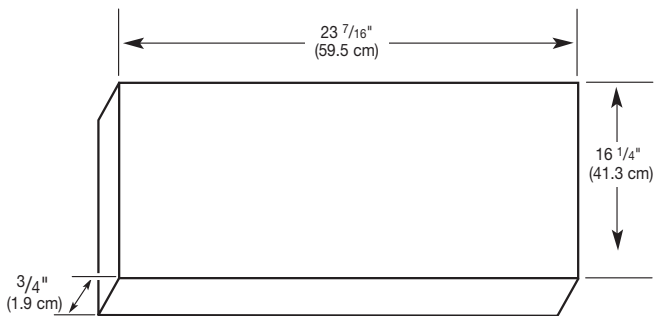
Custom Overlay Drawer Panel

If you plan to install a custom wood panel, you will need to create the panel yourself or consult a qualified cabinetmaker or carpenter. See dimension drawings for panel specifications.

IMPORTANT:

- The thickness of the overlay panel must be $\frac{1}{2}$ " (12.7 mm) to $\frac{3}{4}$ " (19.05 mm).
- Do not exceed the height dimension for the overlay panel(s). Panel(s) that exceed the height dimension may damage the drawer dishwasher, cabinets or countertop.
- The width of the overlay panel may vary according to the width of the cabinet opening.

Overlay Panel Dimensions

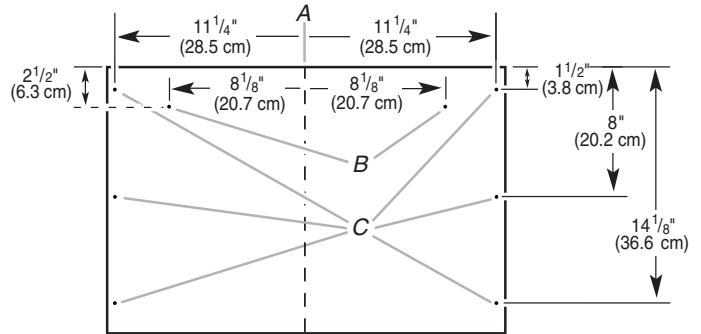


Hardware Installation

Center the hardware (left to right) onto the overlay panel. When installing the hardware, be sure that the mounting screws are flush with the back of the overlay panel.

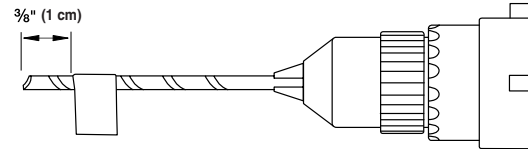
Preparing Custom Panel

1. Lay the custom panel face down on a clean, soft work surface.
2. Using a pencil, mark the centerpoints of the two panel fastener pilot holes and the six pilot holes needed for the panel.



- A. Center line
- B. Panel fastener pilot holes (2)
- C. Pilot holes (6)

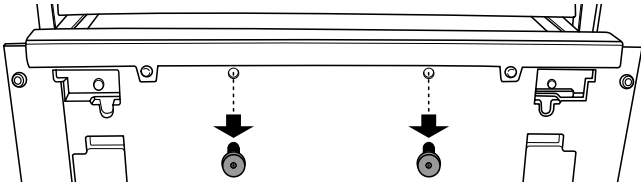
3. Using a $\frac{1}{8}$ " drill, drill each hole $\frac{3}{8}$ " (1 cm) deep.



IMPORTANT: To avoid drilling through to the front of the overlay panel, do not drill deeper than $\frac{3}{8}$ " (1 cm).

Install Panel Fasteners

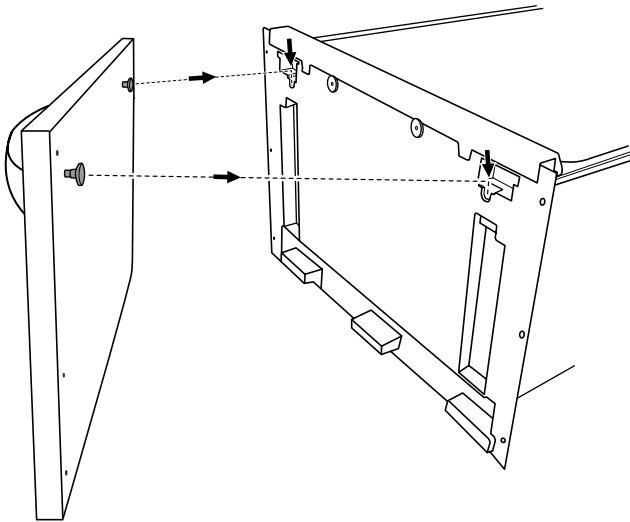
1. Remove the two panel fasteners from the face of the inner door.



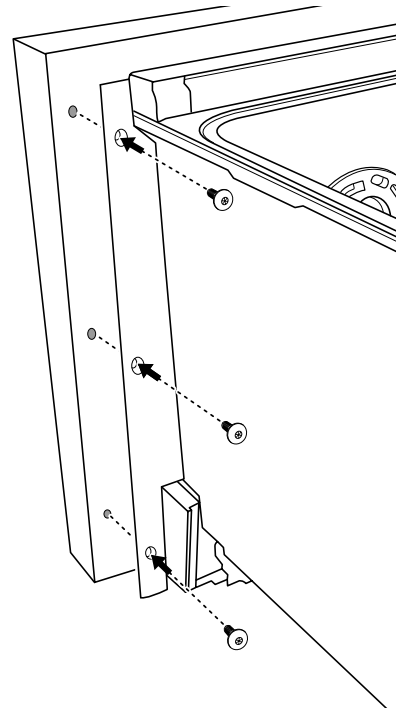
2. Screw the two panel fasteners into the panel fastener pilot holes of the overlay panel.

Mount the Overlay Panel

1. Mount the overlay panel to the drawer by aligning the panel fasteners to the two keyhole slots and insert the panel.



2. To secure the overlay panel onto the drawer, push the overlay panel down until the top of the overlay panel is flush with the top of the control panel.
3. Using the screws provided, secure the overlay panel to the inner door by screwing through the inner door and into the 1/8" (3.175mm) pilot holes.



SEGURIDAD DE LA LAVAVAJILLAS

Su seguridad y la seguridad de los demás es muy importante.

Hemos incluido muchos mensajes importantes de seguridad en este manual y en su electrodoméstico. Lea y obedezca siempre todos los mensajes de seguridad.



Este es el símbolo de advertencia de seguridad.

Este símbolo le llama la atención sobre peligros potenciales que pueden ocasionar la muerte o una lesión a usted y a los demás.

Todos los mensajes de seguridad irán a continuación del símbolo de advertencia de seguridad y de la palabra "PELIGRO" o "ADVERTENCIA". Estas palabras significan:

 **PELIGRO**

Si no sigue las instrucciones de inmediato, usted puede morir o sufrir una lesión grave.

 **ADVERTENCIA**

Si no sigue las instrucciones, usted puede morir o sufrir una lesión grave.

Todos los mensajes de seguridad le dirán el peligro potencial, le dirán cómo reducir las posibilidades de sufrir una lesión y lo que puede suceder si no se siguen las instrucciones.

INSTRUCCIONES IMPORTANTES DE SEGURIDAD

ADVERTENCIA: Cuando use la lavavajillas siga precauciones básicas, incluyendo las siguientes:

- Lea todas las instrucciones antes de usar la lavavajillas.
- Use la lavavajillas únicamente para las funciones que fue diseñada.
- Use únicamente detergentes o agentes de enjuague recomendados para ser usados en las lavavajillas y manténgalos fuera del alcance de los niños.
- Al introducir los artículos para lavar:
 - 1) Coloque los artículos puntiagudos de manera que no dañen el sello de la puerta
 - 2) Introduzca los cuchillos filosos con los mangos hacia arriba para reducir el riesgo de cortaduras.
- No lave artículos de plástico que no lleven la indicación "lavables en la lavavajillas" u otra similar. Lea las recomendaciones del fabricante para los artículos de plástico que no lleven tal indicación.
- No toque el elemento de calefacción durante o inmediatamente después de usar la lavavajillas.
- No haga funcionar la lavavajillas a menos que todos los paneles estén colocados debidamente en su lugar.
- No juegue con los controles.
- No abuse, ni se siente ni se pare sobre la puerta, la tapa o sobre las canastas de la lavavajillas.
- Para reducir el riesgo de lesión, no permita que los niños jueguen dentro ni sobre la lavavajillas.
- Bajo ciertas condiciones, un sistema de agua caliente que no ha sido usado por dos semanas o más puede producir gas hidrógeno. **EL GAS HIDRÓGENO ES EXPLOSIVO.** Si el sistema de agua caliente no ha sido usado por ese período, abra todas las llaves de agua caliente y deje que corra el agua por varios minutos antes de usar la lavavajillas. Esto permitirá que los gases acumulados escapen. Debido a que el gas es inflamable, no fume ni encienda ninguna llama cerca de la llave durante este tiempo.
- Quite la puerta o la tapa del compartimento de lavado cuando remueva o deje de usar para siempre una vieja lavavajillas.

GUARDE ESTAS INSTRUCCIONES

Usted necesita:

- Abrir espacio el cajón de la lavavajillas mientras otra persona agarra la parte posterior de la lavavajillas. Quite el material de transporte. Cierre el cajón de la lavavajillas. Cierre y asegure el cajón de la lavavajillas.
- Observar todos los códigos y reglamentos aplicables.
- Instalar esta lavavajillas como se especifica en estas instrucciones.
- Tener todo lo necesario para instalar la lavavajillas adecuadamente.
- Ponerse en contacto con un instalador calificado para asegurarse de que la lavavajillas haya sido instalada de manera que cumpla con todos los códigos y ordenanzas eléctricos y de plomería nacionales y locales.

REQUISITOS DE INSTALACIÓN

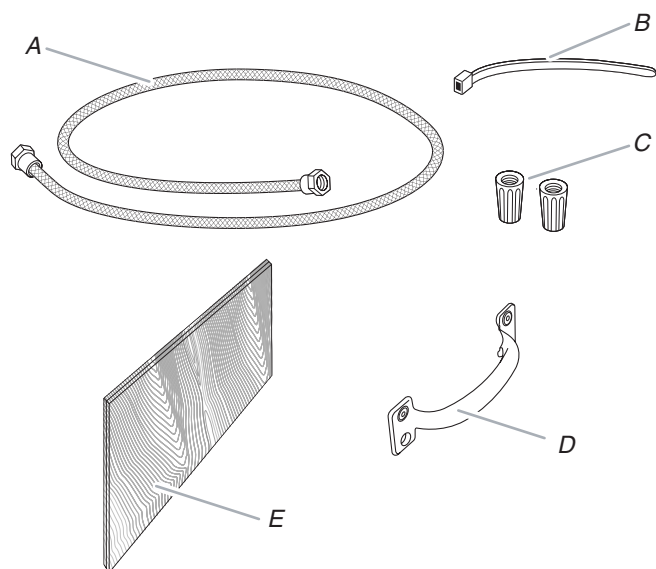
Piezas y herramientas

Reúna las herramientas y piezas necesarias antes de comenzar la instalación. Lea y siga las instrucciones provistas con cualquiera de las herramientas enlistadas aquí.

Herramientas necesarias

- Pinzas
- Destornillador Phillips
- Destornillador de hoja plana
- Llave de tuercas o llave de tubo hexagonal de $\frac{3}{16}$ " y $\frac{1}{4}$ ".
- Cinta de medir o regla
- Sierra perforadora de $1\frac{1}{2}$ "
- Llave de tuercas ajustable de 10"
- Cuchillo para uso general
- Nivel
- Taladro eléctrico
- Broca de $\frac{1}{8}$ "
- Destornillador de seguridad T-20 TORX[†] (si va a instalar paneles frontales a la medida)

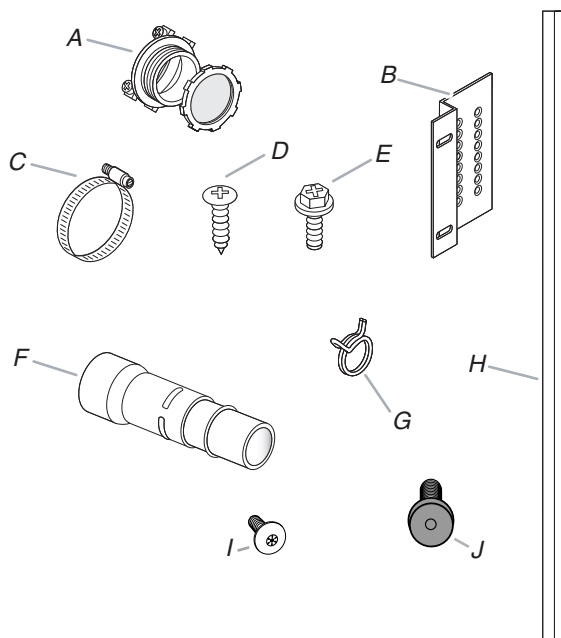
Piezas necesarias



- A. Línea de suministro de agua flexible de 60" (152,4 cm)
- B. Atadura
- C. 2 conectores de tamaño apropiado para cables que se encuentren en la lista de UL
- D. Manija (si va a instalar paneles frontales a la medida)
- E. Panel recubierto (si va a instalar paneles frontales a la medida)

Piezas suministradas

Verifique que estén todas las piezas.



- A. Protector de cables de $\frac{3}{4}$ " que esté en la lista de UL
- B. 2 soportes de montaje
- C. Abrazadera para manguera de 1,25"
- D. 4 tornillos para los soportes de montaje
- E. 2 tornillos de montaje para la unidad
- F. Conector de desagüe
- G. Abrazadera tipo resorte para el conector del desagüe
- H. 2 tiras de adorno
- I. 2 sujetadores para panel (en algunos modelos)
- J. 10 tornillos TORX[†] (en algunos modelos)

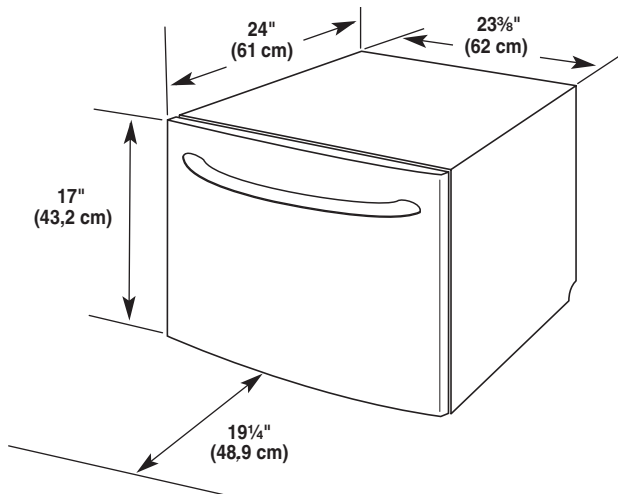
Requisitos de ubicación

IMPORTANTE: Observe todos los códigos y reglamentos aplicables. Si no se siguen los códigos y ordenanzas, esto podría hacer que se produzca un incendio o choque eléctrico.

La instalación correcta es su responsabilidad.

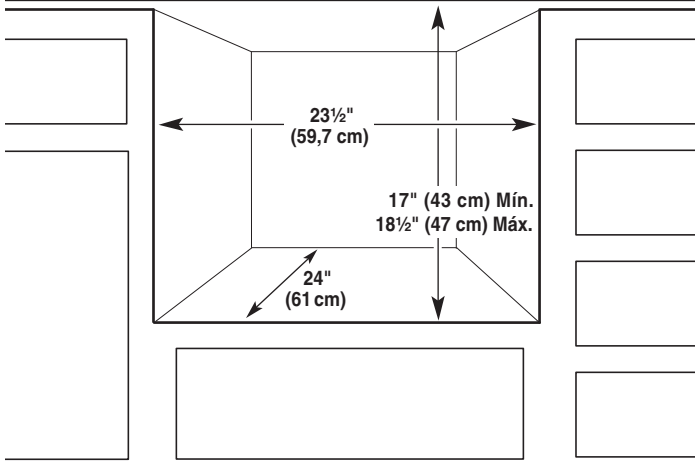
- Póngase en contacto con un instalador calificado para asegurarse que la lavavajillas haya sido instalada de manera que cumpla con todos los códigos y ordenanzas eléctricos y de plomería nacionales y locales.
- Instale la lavavajillas como se especifica en estas instrucciones.
- Tenga todo lo necesario para instalar la lavavajillas adecuadamente.
- Proteja la lavavajillas y las líneas de agua que dan a la lavavajillas contra el congelamiento. Los daños ocasionados por congelación no están cubiertos bajo la garantía.
- Esta lavavajillas fue fabricada únicamente para uso interior.
- Instale y nivele la lavavajillas en un piso que pueda soportar su peso y en un área adecuada para su tamaño y uso.

Medidas del producto

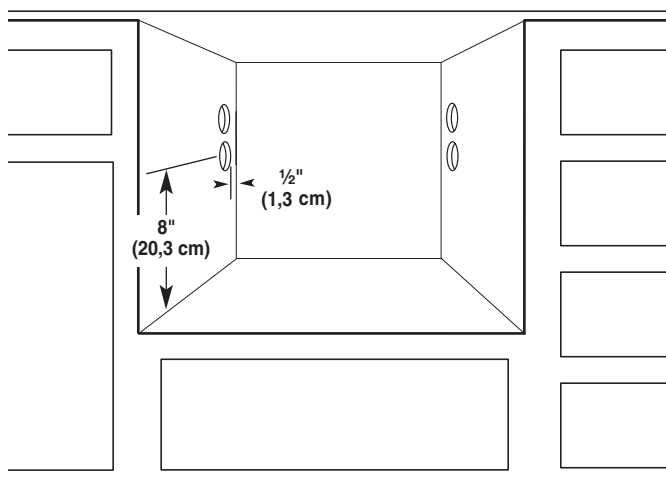


Espacios libres para la instalación

Dimensiones de corte



Área de servicio preferida



A. Elija una ruta hacia la derecha o hacia la izquierda para la conexión del desagüe y del agua.

B. Elija una ruta hacia la derecha o hacia la izquierda para la conexión eléctrica.

NOTA: Todos los orificios deben ser taladrados con un diámetro de 1½".

Requisitos eléctricos

⚠ ADVERTENCIA



Peligro de Choque Eléctrico

Conecte a un contacto de pared de conexión a tierra de 3 terminales.

No quite la terminal de conexión a tierra.

No use un adaptador.

No use un cable eléctrico de extensión.

No seguir estas instrucciones puede ocasionar la muerte, incendio o choque eléctrico.

INSTRUCCIONES DE CONEXIÓN A TIERRA

■ Para una lavavajillas con cable eléctrico y conexión a tierra:

La lavavajillas debe estar conectada a tierra. En caso de funcionamiento defectuoso o avería, la conexión a tierra reduce el riesgo de choque eléctrico al establecer una ruta de menor resistencia para la corriente eléctrica. La lavavajillas viene equipada con un cable eléctrico que tiene un conductor para conexión a tierra y un enchufe con conexión a tierra. El enchufe debe ser conectado a un contacto apropiado que esté instalado y conectado a tierra de acuerdo con todos los códigos y ordenanzas locales.

ADVERTENCIA: La conexión inadecuada del conductor de conexión a tierra puede resultar en riesgo de choque eléctrico. Pregunte a un electricista calificado o a un agente de servicio si no está seguro si la lavavajillas está adecuadamente conectada a tierra. No modifique el enchufe que viene con la lavavajillas. Si no cabe en el contacto, pida que un electricista calificado instale un contacto apropiado.

■ Para lavavajillas con conexión permanente:

La lavavajillas debe estar conectada a un sistema de alambreado eléctrico con conexión a tierra de metal o a un conductor de conexión a tierra y conectado a la terminal de conexión a tierra o conductor en la lavavajillas.

GUARDE ESTAS INSTRUCCIONES

Póngase en contacto con un electricista calificado.

Asegúrese que la conexión eléctrica sea adecuada y de conformidad con todos los códigos y ordenanzas locales.

Usted debe tener:

- Un suministro eléctrico de 120 voltios, 60 hertzios, CA solamente, de 15 ó 20 amperios y protegido con fusible.
- Solamente alambre de cobre.

Recomendamos:

- Un fusible retardador o un cortacircuitos.
- Un circuito separado.

Si va a hacer un cableado directo para la lavavajillas:

- Use alambre de cobre blindado flexible o forrado no metálico con el alambre de puesta a tierra, el cual cumpla con los requisitos de cableado para su casa y con los códigos y ordenanzas locales.
- Use el método de protector de cables provisto con la caja de empalmes del cableado de la casa, o instale un conector tipo abrazadera que esté en la lista de UL y certificado por CSA, a la caja de empalmes del cableado de la casa. Si va a usar un conducto, utilice un conector de conducto que esté en la lista de UL y sea certificado por CSA.

Si va a conectar la lavavajillas con un cable de suministro eléctrico:

- Use el juego del cable de suministro eléctrico (pieza N°. 4317824), que esté marcado para usarse con lavavajillas. El juego incluye:
 - Cable de suministro eléctrico de 3 hilos, calibre 16, en la lista de UL, marca Voltex, Inc. con un enchufe con conexión a tierra de 3 hilos.
 - Protector de cables marca Neer C-500 de ¾"
 - Conectores para 3 hilos.
 - Aro de refuerzo pieza N°. 302797

Para la instalación del cable de suministro eléctrico, siga las instrucciones del juego.

- El cable de suministro eléctrico debe conectarse a un contacto apropiado de pared de 3 terminales, con conexión a tierra, ubicado en el armario que se encuentra al lado de la abertura de la lavavajillas. El contacto debe cumplir con todos los códigos y ordenanzas locales.

IMPORTANTE: Si planea instalar un recipiente de desechos, se requiere tener un suministro eléctrico separado adicional, de 120 voltios, 60 Hz, CA solamente, de 15 ó 20 amperios, con fusible.

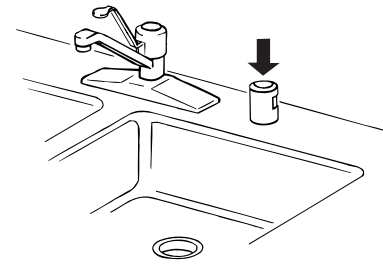
Requisitos del suministro de agua

- Una tubería de agua caliente con presión de agua de 20-120 lb/pulg² (138-862 kPa).
- Temperatura del agua entrando a la lavavajillas de 120°F (49°C).
- Línea de llenado de acero inoxidable flexible trenzado (no se recomienda una tubería de plástico de un mínimo de ½").

Requisitos de desagüe

- Use la manguera nueva de desagüe provista con su lavavajillas. Si no es lo suficientemente larga, use una manguera de desagüe nueva con una longitud máxima de 12 pies (3,7 m), que cumpla con todos los estándares actuales de AHAM/IAMPO (por sus siglas en inglés, los Fabricantes Estadounidenses de Electrodomésticos para Uso Doméstico y la Asociación Internacional de Funcionarios de Fontanería y Mecánica), que sea resistente al calor y al detergente y encaje en el conector de desagüe de 1" (2,5 cm) de la lavavajillas.

- Conecte la manguera de desagüe al tubo de desperdicios en "T" o a la entrada del recipiente de desechos que se encuentra arriba del sifón de desagüe en la tubería de la casa, y a un mínimo de 20" (50,8 cm) del piso. Se recomienda que la manguera de desagüe se enlace y quede asegurada firmemente a la parte inferior del mostrador, o que se conecte a una purga de aire.



INSTRUCCIONES DE INSTALACIÓN

⚠ ADVERTENCIA



Peligro de Choque Eléctrico

Desconecte el suministro de energía en la caja de fusibles o cortacircuitos antes de instalar la lavavajillas.

No seguir esta instrucción puede ocasionar la muerte o choque eléctrico.

1. Desconecte el suministro de energía.
2. Cierre el suministro de agua.

Desempaque el cajón para platos

⚠ ADVERTENCIA

Peligro de Peso Excesivo

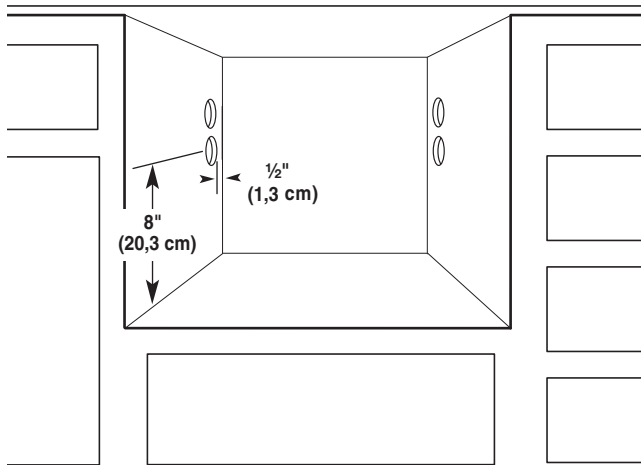
Use dos o más personas para mover e instalar la lavavajillas.

No seguir esta instrucción puede ocasionar una lesión en la espalda u otro tipo de lesiones.

1. Antes de abrirlo, lea la información importante que se encuentra en el exterior de la caja de embalaje.
2. Quite los materiales de envío, la cinta adhesiva y la película de la lavavajillas. Retire el paquete de piezas del interior de la lavavajillas.

Prepare la abertura en el armario

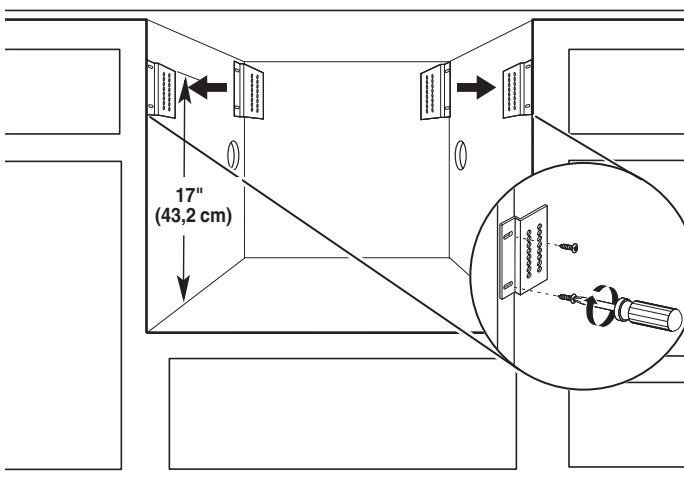
- Para asegurarse de que tenga los espacios libres mínimos:
 - Mida la distancia del mostrador del armario al piso del mismo y asegúrese de tener un mínimo de 17" (43,2 cm) de altura.
 - Mida la distancia del frente del armario a la pared posterior y asegúrese de tener un mínimo de 24" (61 cm) de profundidad.
 - Mida la distancia del lado izquierdo al derecho de la abertura y asegúrese de tener un mínimo de 23½" (59,7 cm) de ancho.
- Taladre orificios de 1½" (3,8 cm) de diámetro para las mangueras de agua y desagüe, y para el cableado eléctrico, como se muestra. Los orificios se deben hacer a una distancia de ½" (1,3 cm) de la pared posterior.



A. Elija una ruta hacia la derecha o hacia la izquierda para las mangueras de desagüe y de agua.

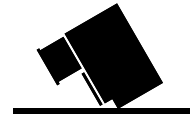
B. Elija una ruta hacia la derecha o hacia la izquierda para el cableado eléctrico.

- Instale los soportes de montaje a una distancia de 17" (43,2 cm) del piso, usando los tornillos provistos. De ser necesario, taladre orificios guía de ⅛" en el armario.



Prepare la lavavajillas

⚠ ADVERTENCIA



Peligro de Vuelco

No abra el cajón de la lavavajillas hasta que la misma esté dentro de la abertura del armario.

No seguir estas instrucciones puede ocasionar la muerte o heridas serias.

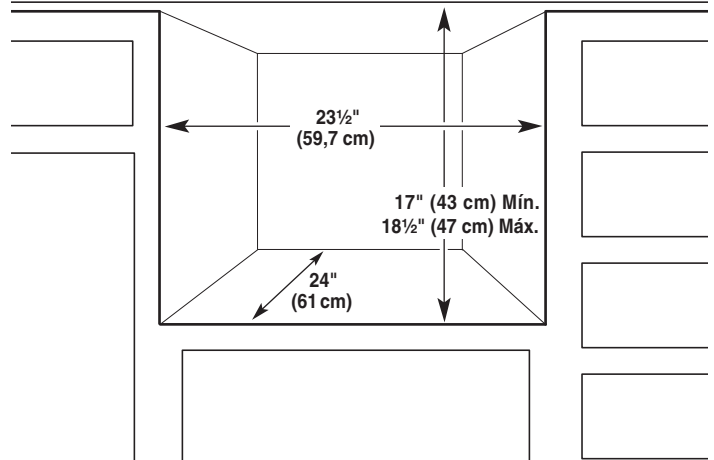
⚠ ADVERTENCIA

Peligro de Peso Excesivo

Use dos o más personas para mover e instalar la lavavajillas.

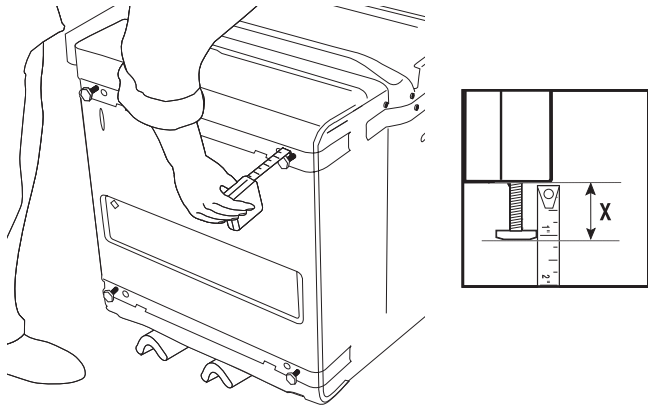
No seguir esta instrucción puede ocasionar una lesión en la espalda u otro tipo de lesiones.

- Mida la altura de la abertura del armario del piso a la parte inferior del mostrador.



- Coloque los esquineros en el piso y apoye la lavavajillas sobre su lado posterior.

3. Ajuste las patas niveladoras según la medida de la abertura del armario y la tabla a continuación.



H	: X	H	: X
17" (43,2 cm)	: 0"	17 7/8" (45,4 cm)	: 7/8" (2,2 cm)
17 1/8" (43,5 cm)	: 1/8" (0,3 cm)	18" (45,7 cm)	: 1" (2,5 cm)
17 1/4" (43,8 cm)	: 1/4" (0,6 cm)	18 1/8" (46 cm)	: 1 1/8" (2,9 cm)
17 3/8" (44,1 cm)	: 3/8" (1 cm)	18 1/4" (46,4 cm)	: 1 1/4" (3,2 cm)
17 1/2" (44,5 cm)	: 1/2" (1,3 cm)	18 3/8" (46,7 cm)	: 1 3/8" (3,5 cm)
17 5/8" (44,8 cm)	: 5/8" (1,6 cm)	18 1/2" (47 cm)	: 1 1/2" (3,8 cm)
17 3/4" (45,1 cm)	: 3/4" (1,9 cm)		

4. Coloque la lavavajillas en posición vertical.

Dirija el cableado eléctrico

⚠ ADVERTENCIA



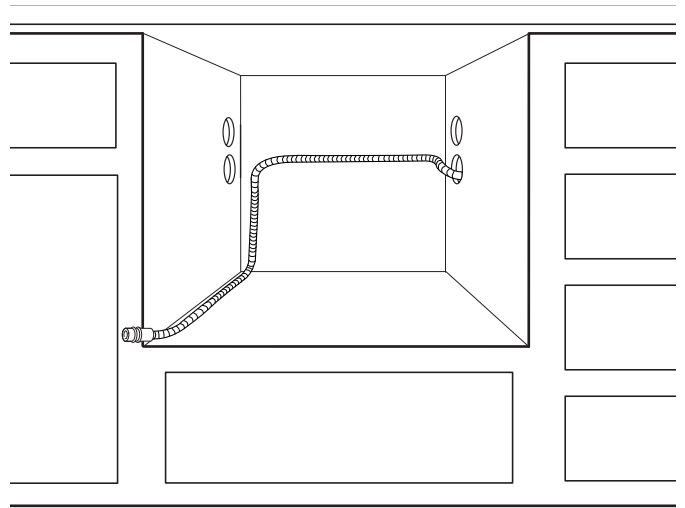
Peligro de Choque Eléctrico

Desconecte el suministro de energía en la caja de fusibles o cortacircuitos antes de instalar la lavavajillas.

No seguir esta instrucción puede ocasionar la muerte o choque eléctrico.

Siga todos los códigos y ordenanzas locales y nacionales para completar el suministro eléctrico a la carcasa.

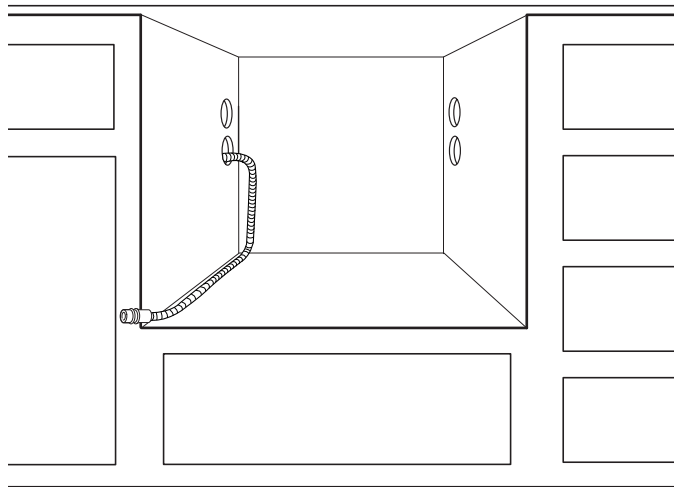
Opción 1: Ruta de servicio del lado derecho



Dirija el cable a través del orificio de 1 1/2" (3,81 cm) ubicado a 8" (20,32 cm) del piso.

Después de dirigir el cable eléctrico a través del orificio en el lado derecho, sujete el cable al lado posterior izquierdo de la pared del armario a 8" (20,32 cm) del piso. Luego continúe dirigiendo el cable a lo largo del lado izquierdo de la abertura del armario hacia el frente de la misma.

Opción 2: Ruta de servicio del lado izquierdo

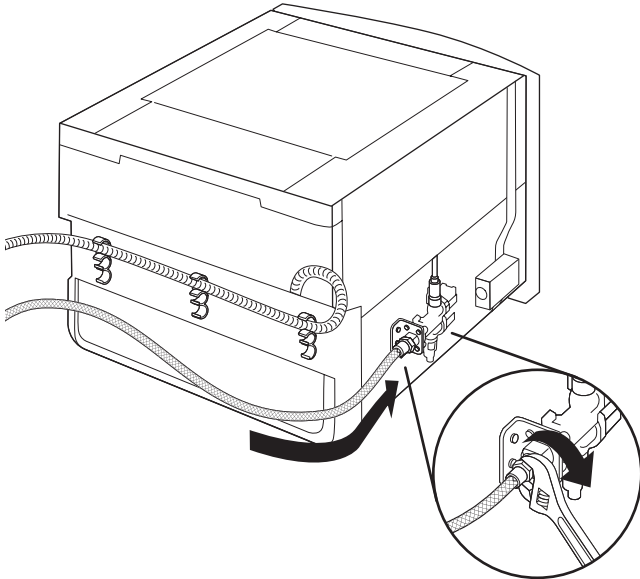


Dirija el cable a través del orificio de 1 1/2" (3,81 cm) ubicado a 8" (20,32 cm) del piso.

Después de dirigir el cable eléctrico a través del orificio en el lado izquierdo, continúe dirigiendo el cable a lo largo del lado izquierdo del armario hacia el frente de la abertura.

Dirija la línea de suministro de agua y la manguera de desagüe

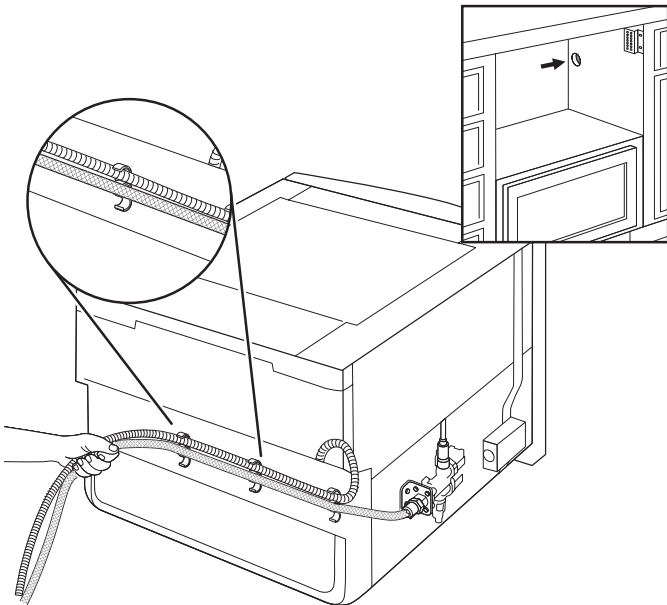
1. Conecte la línea de suministro de agua a la válvula de agua de la lavavajillas.



2. Dirija la línea de suministro de agua y las mangueras de desagüe según los requisitos de su armario.

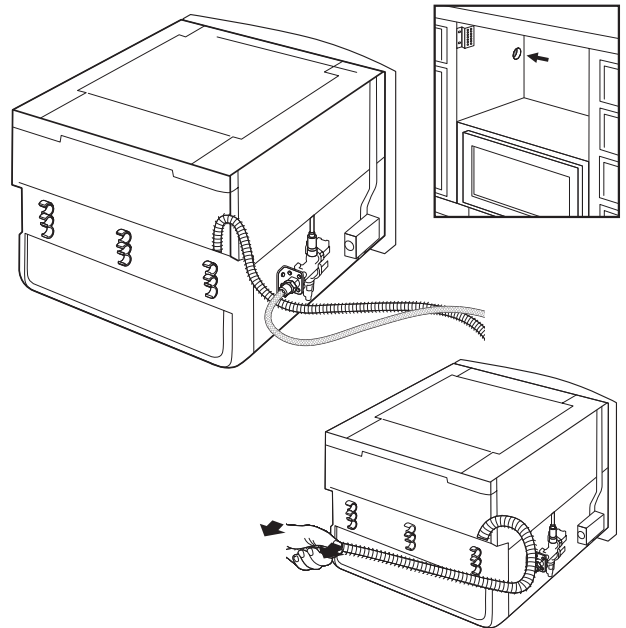
Opción 1: Acceso de servicio por el lado derecho

- Para dirigir por el lado derecho, las mangueras de suministro de agua y de desagüe vienen empaquetadas en la posición correcta. Coloque la línea del suministro de agua en el sujetador, como se muestra.

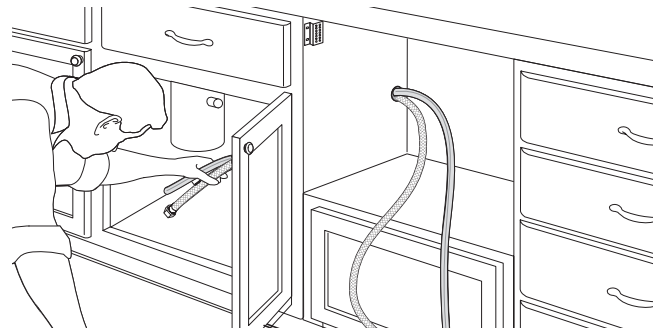


Opción 2: Acceso de servicio por el lado izquierdo

- Para dirigir por el lado izquierdo, saque las mangueras de desagüe de los sujetadores en el soporte posterior, como se muestra.



- Dirija la línea del suministro de agua y las mangueras de desagüe hacia el interior del armario.



Conexión del suministro eléctrico

⚠ ADVERTENCIA

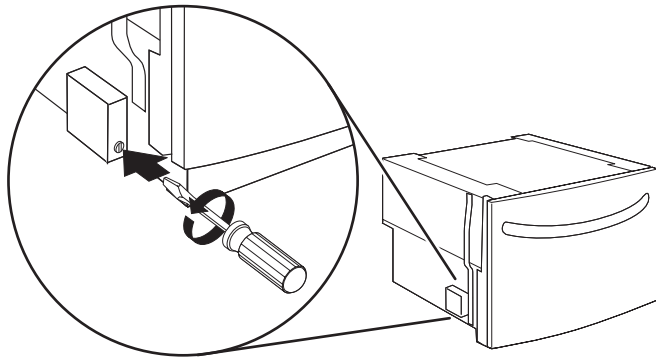


Peligro de Choque Eléctrico

Desconecte el suministro de energía en la caja de fusibles o cortacircuitos antes de instalar la lavavajillas.

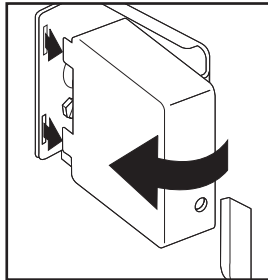
No seguir esta instrucción puede ocasionar la muerte o choque eléctrico.

1. Quite el tornillo que sujeta la tapa de la caja eléctrica. Quite la tapa.

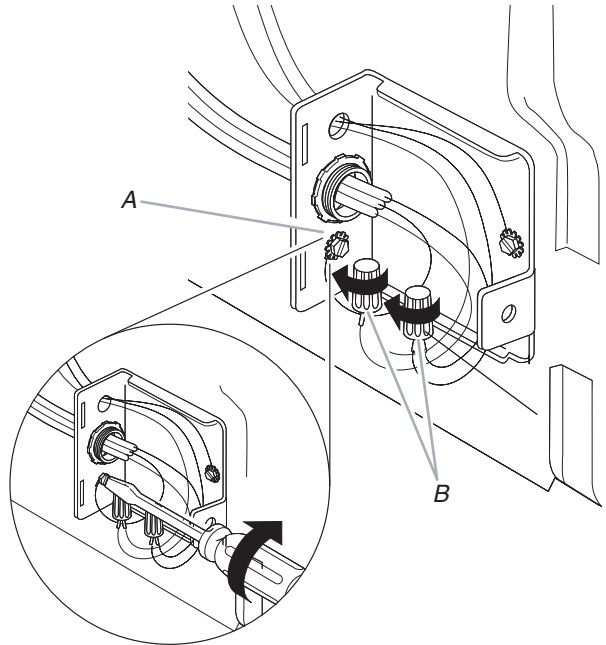


Cable de suministro eléctrico:		Cable de la caja de terminales:
blanco	↔	blanco
negro	↔	negro
alambre de puesta a tierra	↔	conector de puesta a tierra

4. Conecte el alambre de conexión a tierra al tornillo verde de conexión a tierra.

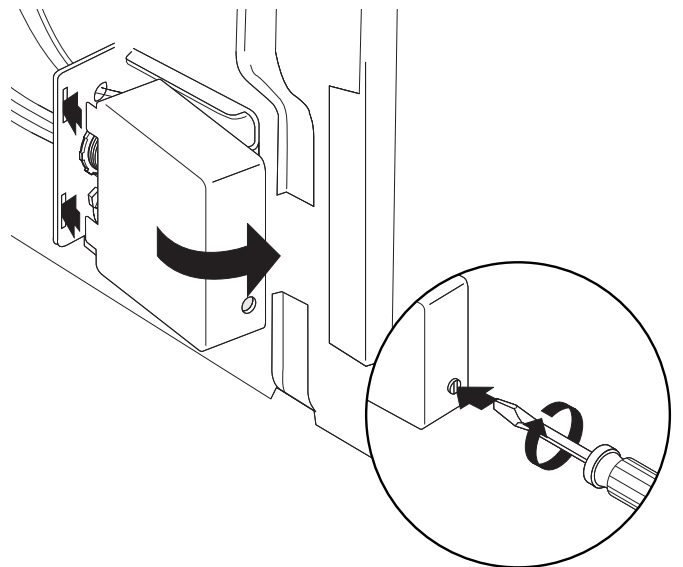
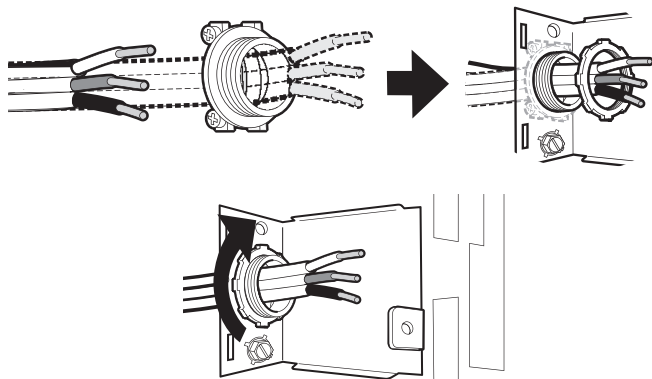


2. Dirija los cables eléctricos a través del protector de cables y sujételos a la placa eléctrica.



A. Sujete el alambre de conexión a tierra al tornillo verde.
B. Conecte el alambre blanco y el negro.

5. Vuelva a colocar la tapa de la caja eléctrica con todos los alambres dentro de la caja de terminales.



⚠ ADVERTENCIA



Peligro de Choque Eléctrico

Conecte a tierra la lavavajillas.

Conecte el alambre de conexión a tierra al conector verde de conexión a tierra en la caja de conexiones.

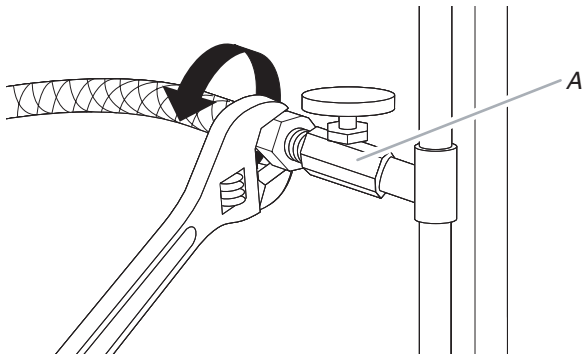
No use extensiones eléctricas.

No seguir estas instrucciones puede ocasionar la muerte, incendio o choque eléctrico.

3. Conecte los cables como se describe a continuación, usando ataduras en los conectores del tamaño adecuado para conectar el cable directo al cable de la lavavajillas de calibre 16.

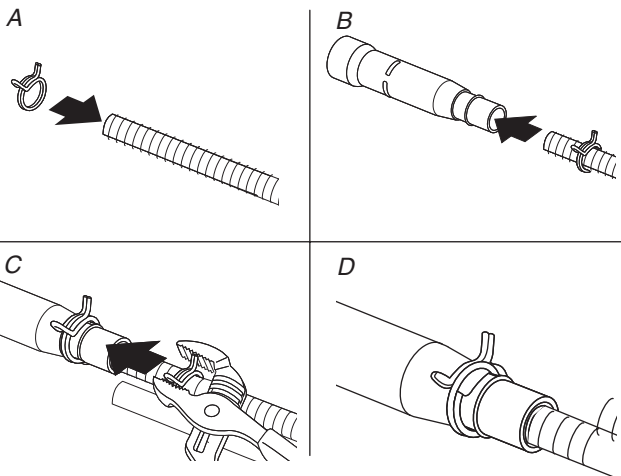
Conecte la línea de suministro de agua y las mangueras de desagüe

1. Conecte la línea del suministro de agua a la válvula de agua que se encuentra debajo del fregadero.



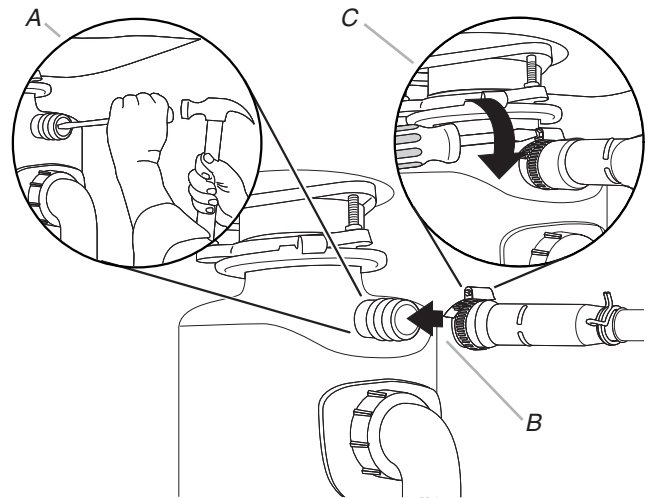
A. Suministro de agua caliente

2. Deslice las abrazaderas en las mangueras de desagüe (Figura A). No corte las mangueras de desagüe.
3. Conecte las mangueras al conector de desagüe en forma de hasta que encajen por completo (Figura B). Se escucharán varios sonidos de "clic".
4. Deslice las abrazaderas a su posición (figuras C y D).



5. Conecte la manguera de desagüe usando una de las siguientes opciones:

Opción 1: Recipiente de desechos sin purga de aire de desagüe

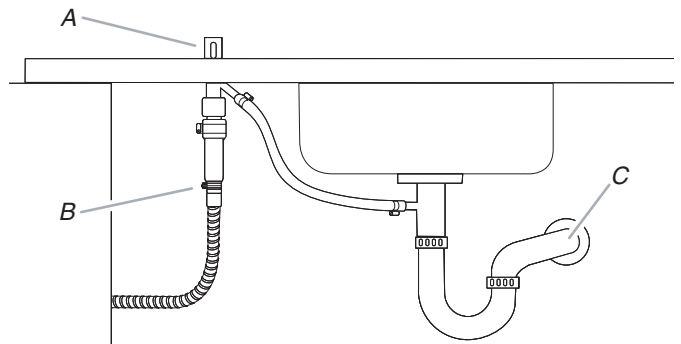


A. Para una obra de construcción nueva, quite el tapón del recipiente de desechos.

B. Una el conector del desagüe al recipiente de desechos.

C. Apriete la abrazadera.

Opción 2: Sin recipiente de desechos, con purga de aire de desagüe

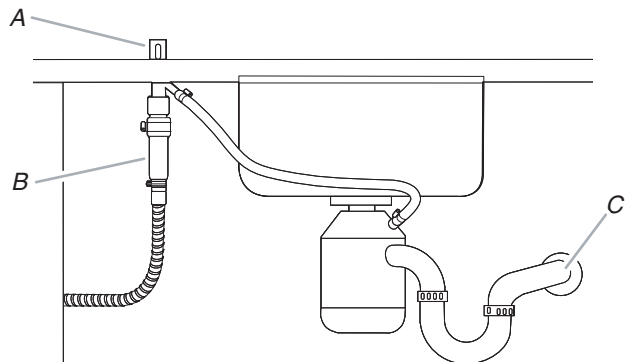


A. Conector de la manguera de desagüe

B. Purga de aire del desagüe

C. Tubo de desechos

Opción 3: Recipiente de desechos y purga de aire de desagüe

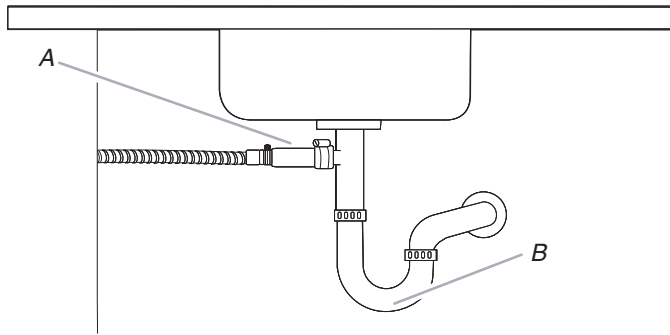


A. Conector de la manguera de desagüe

B. Purga de aire del desagüe

C. Tubo de desechos

Opción 4: Sin recipiente de desechos ni purga de aire de desagüe



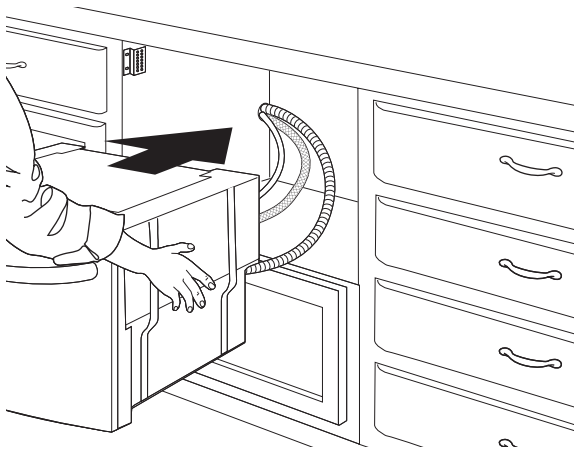
A. Conector de la manguera de desagüe
B. Tubo de desechos

NOTA: Sujete el conector de la manguera de desagüe a la línea de desechos de agua, usando la agarradera para manguera provista.

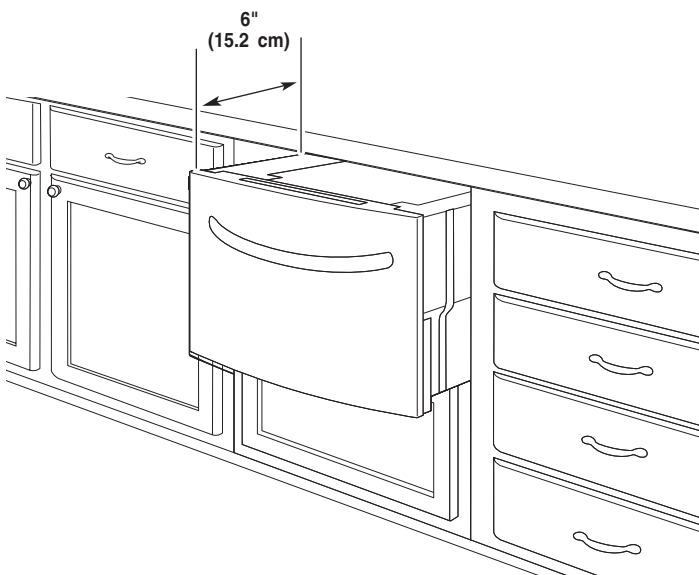
6. Abra la llave del agua y revise si hay fugas.

Instale el cajón y las piezas de adorno

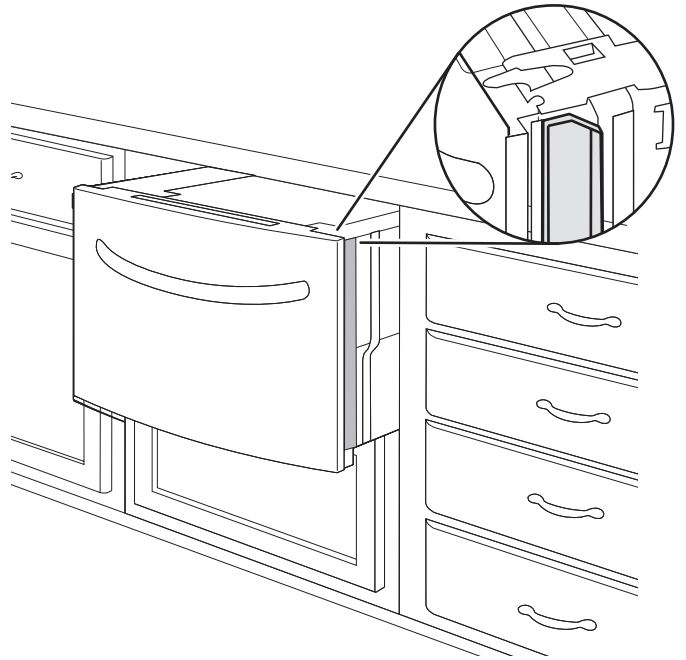
1. Dirija las mangueras y el cableado dentro del armario, mientras desliza el cajón a su posición.



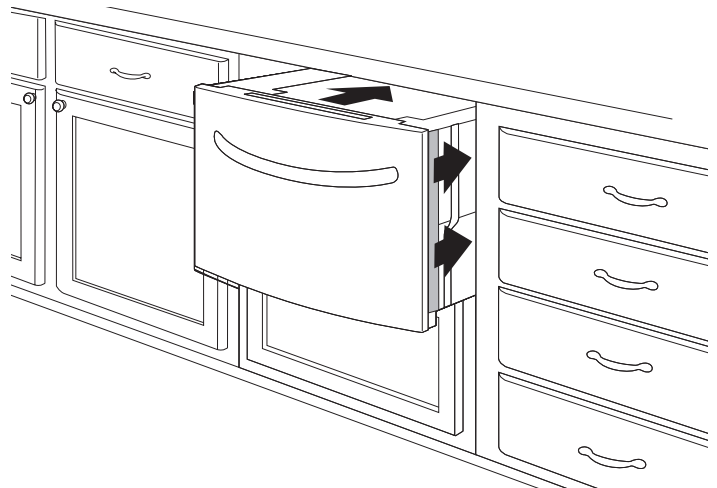
2. Mantenga el cajón hacia afuera unas 6" (15,2 cm).



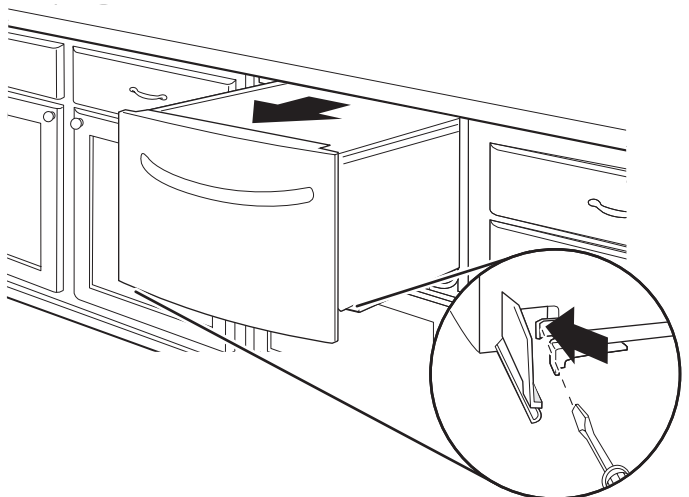
3. Coloque las tiras de adorno en ambos lados, como se muestra.

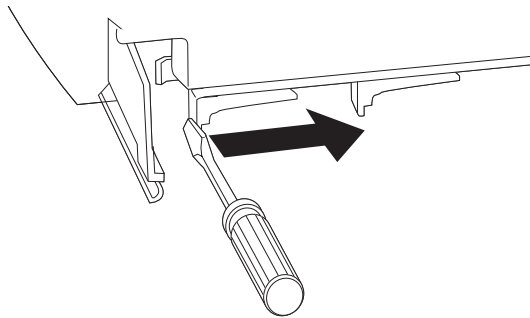


4. Deslice el cajón a su posición.

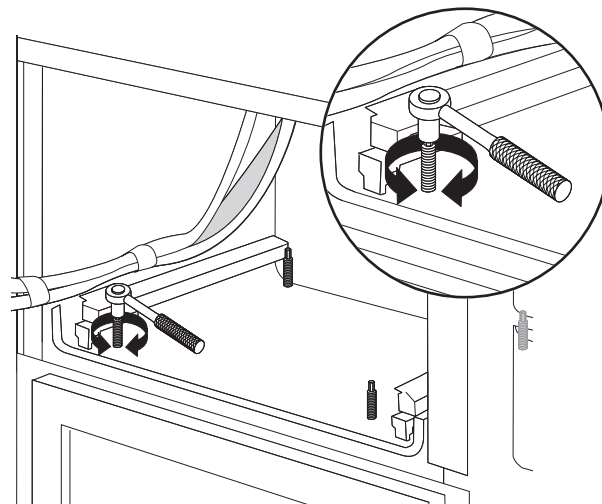


5. Jale el cajón y empuje los dos sujetadores de ambos lados.

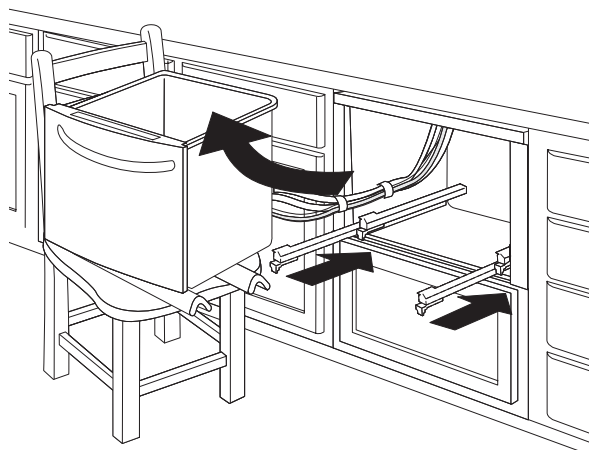




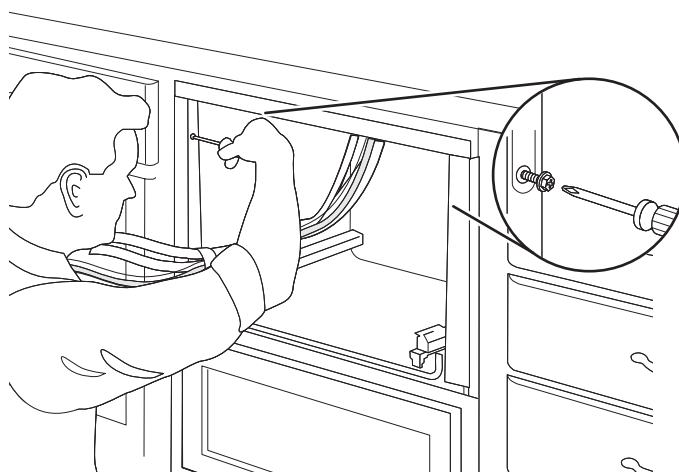
- Para nivelar la lavavajillas, ajuste las patas con una llave de tubo de $\frac{3}{16}$ ".



- Deslice los rieles hacia atrás 5" (12,7 cm).
- Levante el cajón, sáquelo de la abertura del armario y colóquelo en una silla con cubierta. Deslice los rieles de nuevo dentro de la abertura del armario.

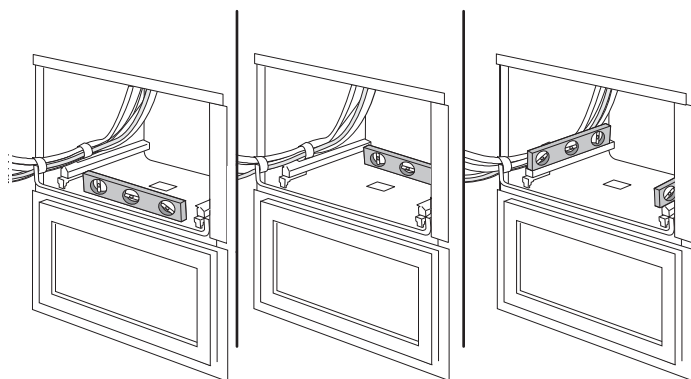


- Sujete el marco de la lavavajillas al soporte de montaje inferior de la carcasa (el cual se instaló anteriormente).



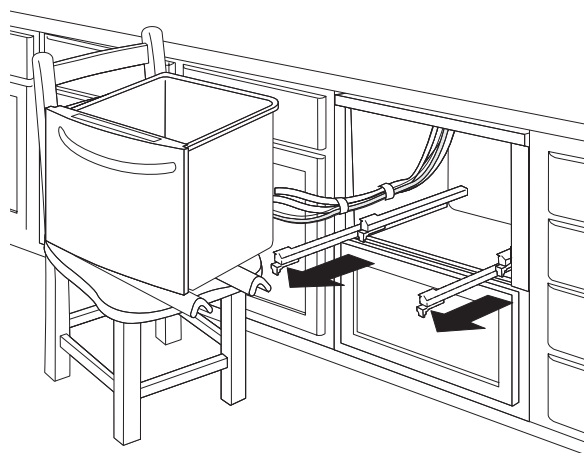
Nivele y asegure la lavavajillas

- Verifique si la carcasa está nivelada de izquierda a derecha. Verifique si la carcasa está nivelada de frente hacia atrás, colocando el nivel en los rieles deslizables.

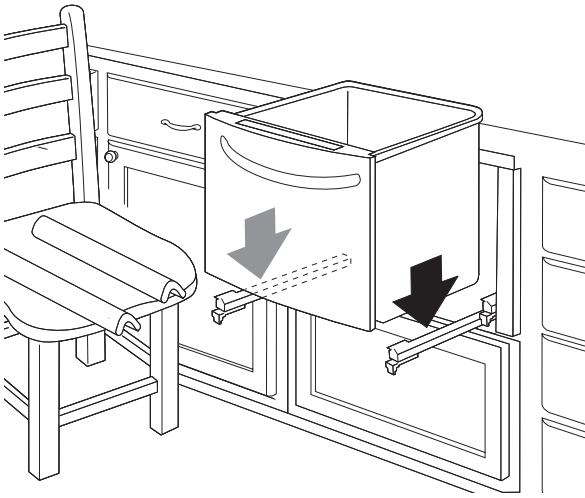


Complete la instalación

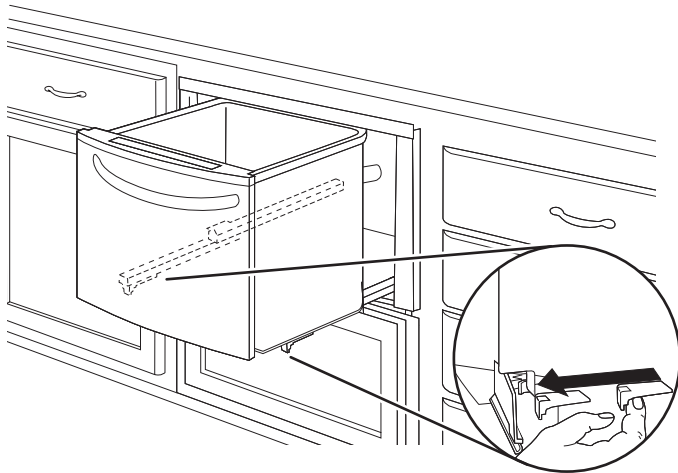
- Jale hacia afuera los rieles del cajón.



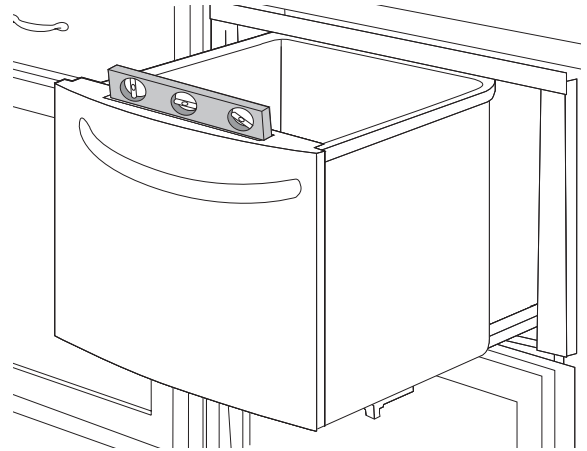
2. Coloque el cajón en los rieles.



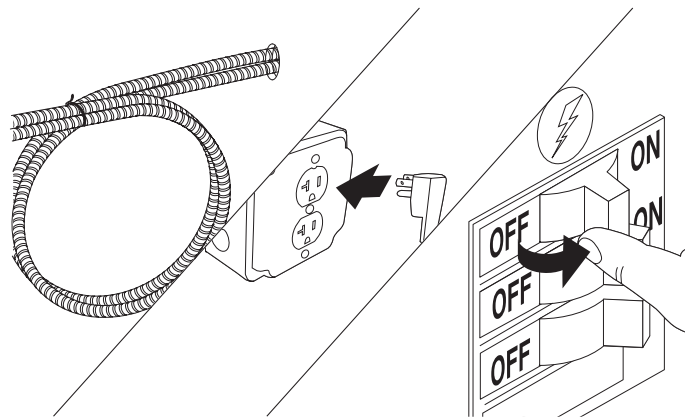
3. Jale los rieles hacia el frente hasta que encajen en su posición.



4. Vuelva a verificar la nivelación de izquierda a derecha, colocando el nivel encima del cajón.



5. Deslice la lavavajillas a su posición en la abertura del armario. Revise que la manguera de desagüe y el cableado eléctrico no estén retorcidos.
6. En la carcasa que se encuentra debajo del fregadero, enrosque la manguera de desagüe que sobre y amárrela con una atadura. Enchufe la lavavajillas o reconecte el suministro de energía.



7. Seleccione el ciclo Rinse Only (Sólo enjuague) y presione START/RESUME (Inicio/Reanudar). Espere a que la lavavajillas se llene y lleve a cabo el enjuague y el desagüe. Revise si hay fugas. Si encuentra fugas, asegure la conexión y repita este paso.

Si necesita ayuda o servicio técnico:

Sírvase consultar la sección "Ayuda o servicio técnico" de las Instrucciones para el usuario o póngase en contacto con el distribuidor en donde usted compró la lavavajillas.

INSTRUCCIONES DE INSTALACIÓN DE LOS PANELES RECUBIERTOS

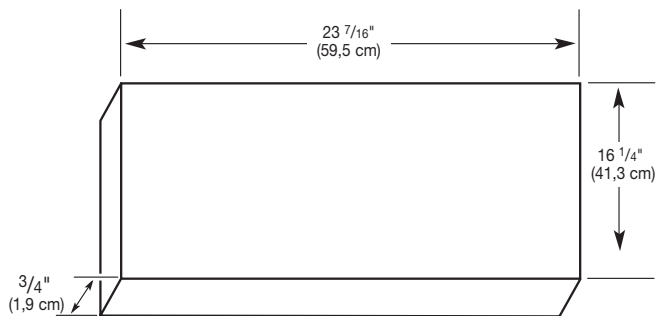
Panel del cajón recubierto a la medida

Si va a instalar un panel de madera a la medida, deberá hacerlo usted mismo o consultar un carpintero o fabricante de armarios calificado. Para obtener información acerca de las especificaciones de los paneles, vea los gráficos dimensionales.

IMPORTANTE:

- El grosor del panel recubierto debe ser de $\frac{1}{2}$ " (12,7 mm) a $\frac{3}{4}$ " (19,05 mm).
- No sobrepase la medida de altura establecida para el(los) panel(es) recubierto(s). El(Los) panel(es) que sobrepasa(n) la medida de altura puede(n) dañar la lavavajillas de cajón, los armarios o el mostrador.
- El ancho del panel recubierto puede variar de acuerdo con el ancho de la abertura del armario.

Dimensiones del panel recubierto

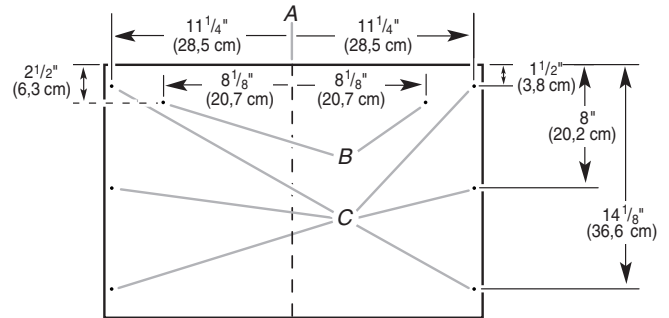


Instalación de los herrajes

Centre los herrajes (de izquierda a derecha) sobre el panel recubierto. Asegúrese al instalar los herrajes que los tornillos de montaje estén al ras con la parte trasera del panel recubierto.

Preparación del panel a la medida

1. Coloque el panel a la medida boca abajo en una superficie limpia y blanda.
2. Con un lápiz, marque los puntos centrales de los dos orificios guía para los sujetadores de los paneles y los 6 orificios guía necesarios para el panel.

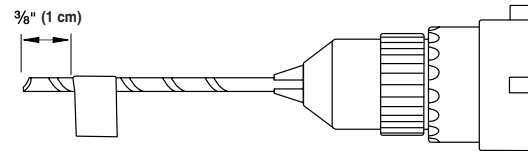


A. Línea central

B. Orificios guía para el sujetador del panel (2)

C. Orificios guía (6)

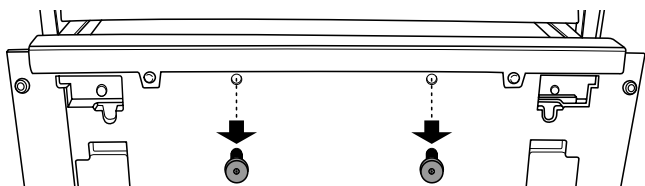
3. Con un taladro de $\frac{1}{8}$ " , haga cada orificio de una profundidad de $\frac{3}{8}$ " (1 cm).



IMPORTANTE: Para evitar taladrar hasta atravesar el frente del panel recubierto, no taladre a una profundidad de más de $\frac{3}{8}$ " (1 cm).

Cómo instalar los sujetadores del panel

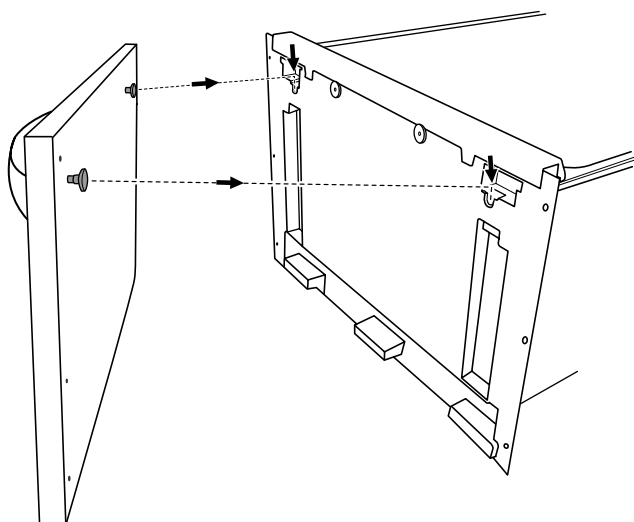
1. Quite los dos sujetadores del panel de la cara de la puerta interior.



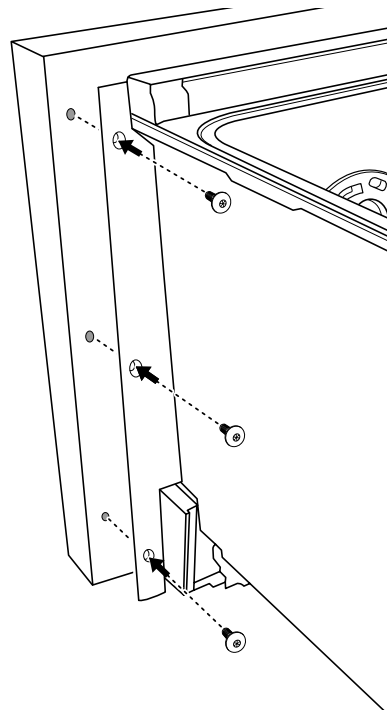
2. Atornille los dos sujetadores del panel en los orificios guía para los sujetadores del panel recubierto.

Cómo montar el panel recubierto

1. Para colocar el panel recubierto en el cajón, alinee los sujetadores del panel a las dos ranuras de cerradura e inserte el panel.



2. Para asegurar el panel recubierto al cajón, ponga presión sobre el panel hasta que la parte superior del panel recubierto esté alineada con la parte superior del panel de control.
3. Usando los tornillos provistos, asegure el panel recubierto a la puerta interior atornillando a través de la misma, hasta los orificios guía de 1/8" (3,175 mm).



SÉCURITÉ DU LAVE-VAISSELLE

Votre sécurité et celle des autres est très importante.

Nous donnons de nombreux messages de sécurité importants dans ce manuel et sur votre appareil ménager. Assurez-vous de toujours lire tous les messages de sécurité et de vous y conformer.



Voici le symbole d'alerte de sécurité.

Ce symbole d'alerte de sécurité vous signale les dangers potentiels de décès et de blessures graves à vous et à d'autres.

Tous les messages de sécurité suivront le symbole d'alerte de sécurité et le mot "DANGER" ou "AVERTISSEMENT". Ces mots signifient :

⚠ DANGER

Risque possible de décès ou de blessure grave si vous ne suivez pas immédiatement les instructions.

⚠ AVERTISSEMENT

Risque possible de décès ou de blessure grave si vous ne suivez pas les instructions.

Tous les messages de sécurité vous diront quel est le danger potentiel et vous disent comment réduire le risque de blessure et ce qui peut se produire en cas de non-respect des instructions.

IMPORTANTES INSTRUCTIONS DE SÉCURITÉ

AVERTISSEMENT : Lors de l'utilisation du lave-vaisselle, suivre les précautions élémentaires dont les suivantes :

- Lire la totalité des instructions avant d'utiliser le lave-vaisselle.
- N'utiliser le lave-vaisselle que pour laver la vaisselle.
- Utiliser les détergents ou agents de rinçage recommandés pour lave-vaisselle et les garder hors de la portée des enfants.
- Lorsque vous chargez le lave-vaisselle :
 - 1) Placer les objets coupants de façon qu'ils ne puissent endommager le joint de la porte; et
 - 2) Placer les couteaux le manche vers le haut de façon à ne pas vous couper.
- Ne pas laver d'articles en plastique à moins qu'ils ne soient marqués "Peut aller au lave-vaisselle" ou l'équivalent. Si l'article ne porte aucune indication, vérifier auprès du fabricant.
- Ne pas toucher l'élément chauffant pendant le fonctionnement ou immédiatement après.
- Ne pas faire fonctionner le lave-vaisselle si tous les panneaux de l'enceinte ne sont pas en place.
- Ne pas jouer avec les commandes.
- Ne pas abuser, vous asseoir ni monter sur la porte, le couvercle ou les paniers du lave-vaisselle.
- Pour éviter tout risque d'accident, ne pas laisser les enfants jouer dans ou sur le lave-vaisselle.
- Sous certaines conditions, de l'hydrogène peut se former dans un réseau d'eau chaude inutilisé depuis deux semaines ou plus. L'HYDROGÈNE EST UN GAZ EXPLOSIBLE. Si le système d'eau chaude n'a pas été utilisé depuis un certain temps, laisser couler l'eau chaude des robinets pendant quelques minutes avant de faire fonctionner le lave-vaisselle. Cette mesure permettra à l'hydrogène de s'évaporer. Ce gaz étant inflammable, ne pas fumer ni utiliser de flamme nue pendant cette période.
- Enlever la porte ou le couvercle du compartiment de lavage lorsque vous remplacez ou mettez au rebut un vieux lave-vaisselle.

CONSERVEZ CES INSTRUCTIONS

Opérations à exécuter :

- Ouvrir lentement le tiroir du lave-vaisselle tandis qu'une autre personne saisit/retient l'arrière du lave-vaisselle. Retirer les matériaux d'emballage. Fermer le tiroir du lave-vaisselle. Verrouiller le tiroir du lave-vaisselle.
- Respecter les prescriptions de tous les codes et règlements en vigueur.
- Installer le lave-vaisselle conformément aux présentes instructions.
- Veiller à disposer de tout ce qui est nécessaire pour l'installation correcte du lave-vaisselle.
- Contacter un installateur qualifié pour garantir que l'installation du lave-vaisselle soit exécutée conformément aux prescriptions de tous les codes et règlements nationaux et locaux régissant les installations électriques et de plomberie en vigueur.

EXIGENCES D'INSTALLATION

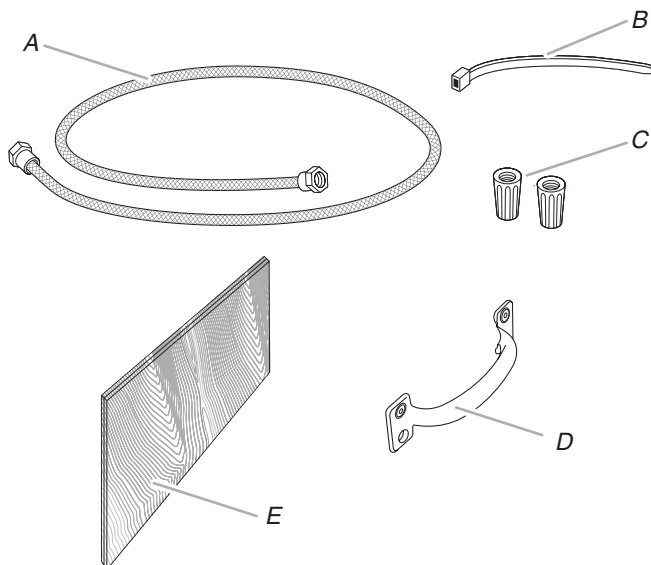
Outillage et composants

Rassembler les outils et pièces nécessaires avant de commencer l'installation. Lire et suivre les instructions fournies avec les outils indiqués ici.

Outillage nécessaire

- Pince
- Tournevis Phillips
- Tournevis à lame plate
- Douilles hexagonales/ tourne-écrou - $\frac{3}{16}$ " et $\frac{1}{4}$ "
- Mètre ruban ou règle
- Scie à trou - 1½"
- Clé à molette - 10"
- Couteau utilitaire
- Niveau
- Perceuse électrique
- Foret de - $\frac{1}{8}$ "
- Tournevis TORX®† T-20 (pour l'installation de panneaux de façade personnalisés)

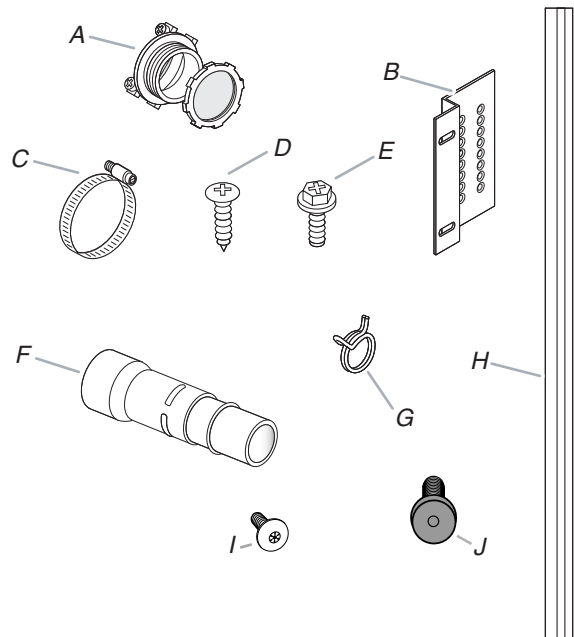
Composants nécessaires



- A. Tuyau d'arrivée d'eau flexible 60" (152,4 cm)
- B. Attache en plastique
- C. 2 connecteurs de fils de taille appropriée - homologation UL
- D. Pièces de quincaillerie (pour l'installation de panneaux de façade personnalisés)
- E. Panneau décoratif (pour l'installation de panneaux de façade personnalisés)

Pièces fournies

Vérifier la présence de toutes les pièces.



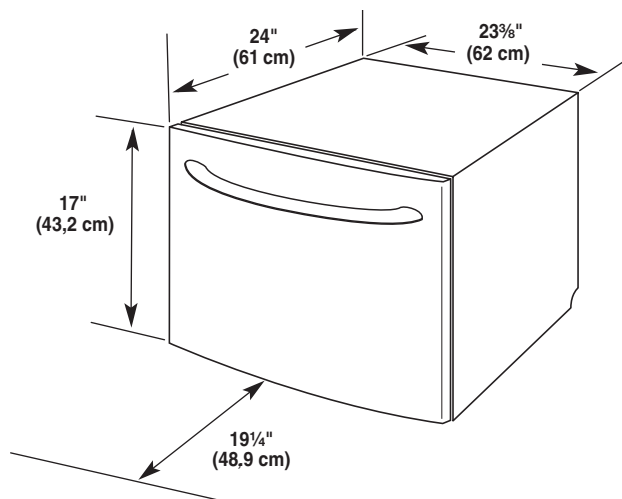
- A. Serre-câble $\frac{3}{4}$ " - homologation UL
- B. 2 brides de montage
- C. Bride de tuyau 1,25"
- D. 4 vis pour brides de montage
- E. 2 vis de montage de l'appareil
- F. Raccord pour tuyau d'évacuation
- G. Bride de tuyau pour tuyau d'évacuation
- H. 2 cornières de garniture
- I. 2 vis de fixation de panneau (certains modèles)
- J. 10 vis TORX®† (certains modèles)

Exigences d'emplacement

IMPORTANT : Observer les dispositions de tous les codes et règlements en vigueur. Le non-respect de ces codes et règlements pourrait entraîner un incendie ou un choc électrique. C'est à l'utilisateur du produit qu'incombe la responsabilité de réaliser une installation correcte.

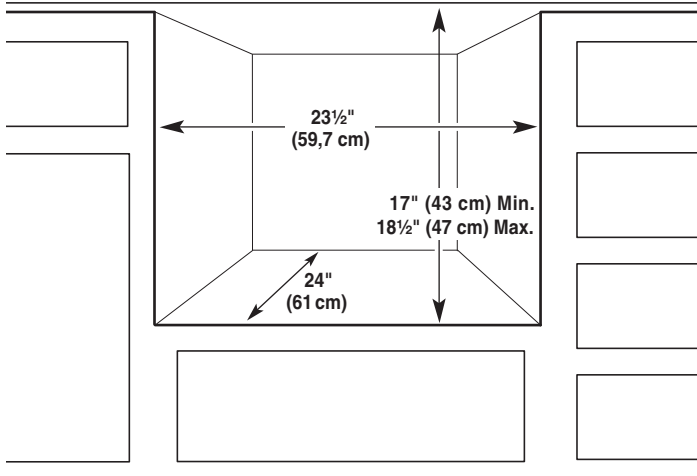
- Contacter un installateur qualifié pour garantir que l'installation du lave-vaisselle soit exécutée conformément aux prescriptions de tous les codes locaux et nationaux en vigueur régissant les installations d'électricité et de plomberie.
- Réaliser l'installation du lave-vaisselle tel que spécifié dans ces instructions.
- Veiller à disposer de tous les outils et composants nécessaires pour l'installation du lave-vaisselle.
- Protéger le lave-vaisselle et les canalisations d'eau qui l'alimentent contre le gel. La garantie de l'appareil ne couvre pas les dommages imputables au gel.
- Ce lave-vaisselle est conçu et fabriqué uniquement pour une utilisation à l'intérieur.
- Installer le lave-vaisselle d'aplomb en un endroit approprié sur un sol capable d'en soutenir le poids compte tenu de sa taille et de son utilisation.

Dimensions du produit

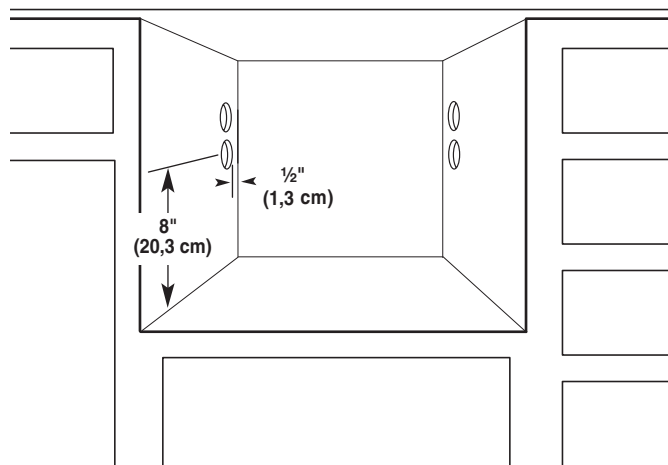


Distances de dégagement à respecter

Dimensions de l'espace d'installation



Emplacements préférentiels pour le passage des tuyaux et du câble



A. Choisir la position d'installation des tuyaux d'eau et d'évacuation - à gauche ou à droite.

B. Choisir la position d'installation du câblage électrique - à gauche ou à droite.

REMARQUE : Diamètre de 1/2" (3,8 cm) pour tous les trous.

Spécifications électriques

⚠ AVERTISSEMENT



Risque de choc électrique

Brancher sur une prise à 3 alvéoles reliée à la terre.

Ne pas enlever la broche de liaison à la terre.

Ne pas utiliser un adaptateur.

Ne pas utiliser un câble de rallonge.

Le non-respect de ces instructions peut causer un décès, un incendie ou un choc électrique.

INSTRUCTIONS DE MISE À LA TERRE

■ Pour un lave-vaisselle relié à la terre, branché avec un cordon :

Le lave-vaisselle doit être relié à la terre. En cas d'un mauvais fonctionnement ou d'une panne, la mise à terre réduira le risque d'un choc électrique en fournissant le moins de résistance pour le courant électrique. Le lave-vaisselle est équipé d'un cordon avec un conducteur pour relier les appareils à la terre et d'une fiche de mise à la terre. La fiche doit être branchée sur une prise appropriée, installée et reliée à la terre conformément aux codes et règlements locaux.

AVERTISSEMENT : La connexion incorrecte du conducteur pour relier les appareils à la terre peut causer le risque de choc électrique. Vérifier avec un électricien compétent ou un représentant de service si vous avez des doutes si le lave-vaisselle est correctement relié à la terre. Ne pas modifier la fiche fournie avec le lave-vaisselle; si elle n'entre pas dans la prise, faire installer une prise appropriée par un électricien compétent.

■ Pour un lave-vaisselle branché en permanence :

Le lave-vaisselle doit être branché à un système d'installation électrique permanent en métal relié à la terre, ou un conducteur pour relier les appareils doit être relié avec les conducteurs du circuit et branché à une borne pour relier les appareils à la terre ou au cordon d'alimentation électrique avec le lave-vaisselle.

CONSERVEZ CES INSTRUCTIONS

Contactez un électricien qualifié.

Vérifier que le circuit d'alimentation disponible est adéquat et conforme aux prescriptions de tous les codes et règlements nationaux et locaux en vigueur.

Caractéristiques de la source d'électricité nécessaire :

- 120 V, 60 Hz, CA, fusible de 15 ou 20 A.
- Conducteurs de cuivre seulement.

Nous recommandons :

- Fusible temporisé ou disjoncteur.
- Alimentation par un circuit distinct.

Raccordement direct du lave-vaisselle :

- Utiliser un câble flexible à conducteurs de cuivre, avec gaine métallique ou non métallique et conducteur de raccordement à la terre, qui satisfait aux exigences des codes et règlements locaux en vigueur.
- Utiliser le serre-câble fourni pour le raccordement à l'armoire de distribution de la maison, ou installer un serre-câble (homologation UL/CSA) sur l'armoire de distribution de la maison. Dans le cas de l'utilisation de conduit, utiliser un connecteur de conduit (homologation UL/CSA).

Branchement de l'appareil à l'aide d'un cordon d'alimentation :

- Utiliser le cordon d'alimentation (pièce n° 4317824) conçu pour l'utilisation avec un lave-vaisselle; cet ensemble comporte :
 - Cordon d'alimentation à 3 conducteurs de calibre 16, avec fiche de branchement à 3 broches, pour liaison à la terre - homologation UL (Votex, Inc.).
 - Serre-câble 7/8" (Neer, C-500).
 - 3 connecteurs de fils
 - Passe-fil (pièce n° 302797).

Pour l'installation du cordon d'alimentation, exécuter les instructions fournies avec l'ensemble.

- La fiche du cordon d'alimentation doit être branchée sur une prise de courant de même configuration, à 3 alvéoles, reliée à la terre, installée dans le placard à côté de l'espace d'installation du lave-vaisselle. La prise de courant doit satisfaire les prescriptions de tous les codes et règlements locaux en vigueur.

IMPORTANT : Si on envisage l'installation d'un broyeur à déchets, un circuit électrique additionnel séparé est également nécessaire - 120 V, 60 Hz, CA, fusible de 15 ou 20 A seulement.

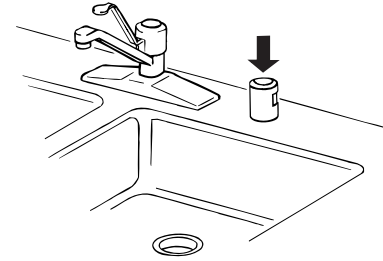
Spécifications de l'alimentation en eau

- Canalisation d'eau chaude avec pression de 20-120 lb/po² (138-862 kPa).
- Admission dans le lave-vaisselle d'eau à température de 120°F (49°C).
- Raccordement entre l'appareil et la canalisation d'eau à l'aide d'un conduit flexible à gaine tressée en acier inoxydable (on déconseille l'emploi de tube de plastique - diamètre minimum 1/2").

Évacuation de l'eau de lavage - Critères à respecter

- Utiliser le tuyau d'évacuation neuf fourni avec l'appareil. Si la longueur de ce tuyau n'est pas suffisante, utiliser un autre tuyau d'évacuation avec longueur maximale de 12 pi (3,7 m), conforme aux prescriptions de la norme AHAM/IAPMO, résistant à la chaleur et au détergent, et compatible avec le raccord de connexion de 1" (2,5 cm) du lave-vaisselle.

- Connecter le tuyau d'évacuation sur un raccord en T ou à l'entrée du broyeur à déchets au-dessus du siphon du circuit d'évacuation de la maison et à au moins 20" (50,8 cm) au-dessus du plancher. On recommande de former une boucle avec le tuyau d'évacuation (arrimage avec une attache de plastique sous le plan de travail), ou de connecter le tuyau d'évacuation à un brise-vide.



INSTRUCTIONS D'INSTALLATION

⚠ AVERTISSEMENT



Risque de choc électrique

Interrompre l'alimentation électrique avant d'installer le lave-vaisselle (au niveau du tableau de distribution - fusible ou disjoncteur)

Le non-respect de cette instruction peut causer un décès ou un choc électrique.

1. Déconnecter la source de courant électrique.
2. Fermer l'arrivée d'eau.

Déballage du lave-vaisselle

⚠ AVERTISSEMENT

Risque du poids excessif

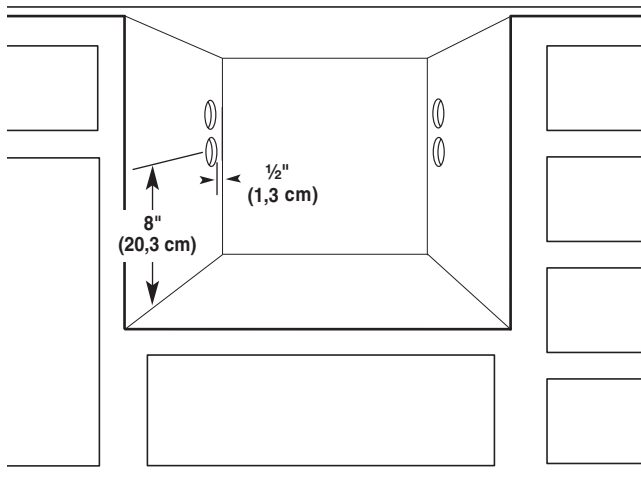
Utiliser deux personnes ou plus pour déplacer et installer le lave-vaisselle.

Le non-respect de cette instruction peut causer une blessure au dos ou d'autre blessure.

1. Avant d'ouvrir l'emballage du produit, lire toute l'information utile à l'extérieur de la boîte d'emballage.
2. Enlever les matériaux d'emballage, les rubans adhésifs et le film sur le lave-vaisselle. Retirer le sachet de pièces qui se trouve à l'intérieur du lave-vaisselle.

Préparation de l'espace d'installation entre les placards

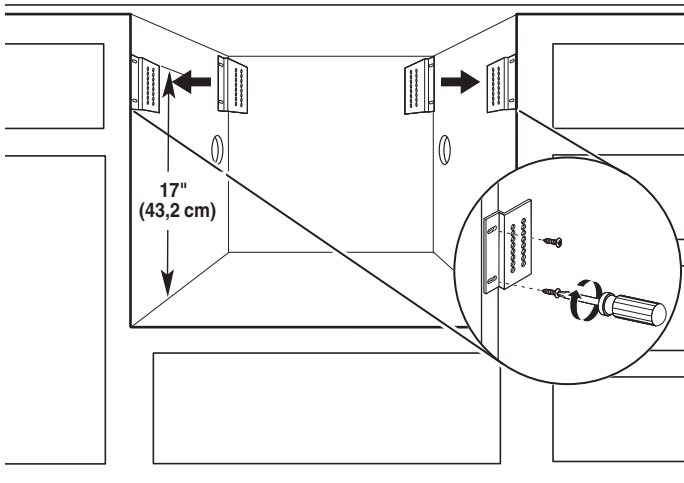
- Pour respecter les valeurs minimales de dégagement de séparation :
 - Mesurer la distance entre le plan de travail et le plancher; veiller à disposer d'une hauteur libre de 17" (43,2 cm) ou plus.
 - Mesurer la distance entre l'avant du placard et le mur arrière; veiller à disposer d'une profondeur de 24" (61 cm) ou plus.
 - Mesurer la distance entre le côté gauche et le côté droit de l'espace d'installation; veiller à disposer d'une largeur de 23½" (59,7 cm) ou plus.
- Percer des trous de 1½" (3,8 cm) aux emplacements indiqués sur l'illustration, pour le passage du tuyau d'évacuation, du tuyau d'arrivée d'eau et du câblage électrique. Placer ces trous à ½" (1,3 cm) du mur arrière.



A. Choisir la position d'installation des tuyaux d'eau et d'évacuation - à gauche ou à droite.

B. Choisir la position d'installation du câblage électrique - à gauche ou à droite.

- Installer des brides de montage à 17" (43,2 cm) du sol - utiliser les vis fournies. Si nécessaire, percer des avant-trous de ⅛" dans la paroi de chaque placard.



Préparation du lave-vaisselle

⚠ AVERTISSEMENT



Risque de choc électrique

Interrompre l'alimentation électrique avant d'installer le lave-vaisselle (au niveau du tableau de distribution - fusible ou disjoncteur)

Le non-respect de cette instruction peut causer un décès ou un choc électrique.

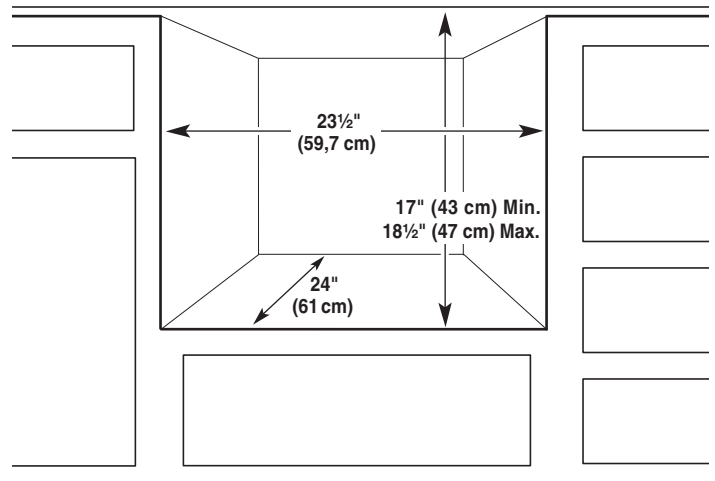
⚠ AVERTISSEMENT

Risque du poids excessif

Utiliser deux personnes ou plus pour déplacer et installer le lave-vaisselle.

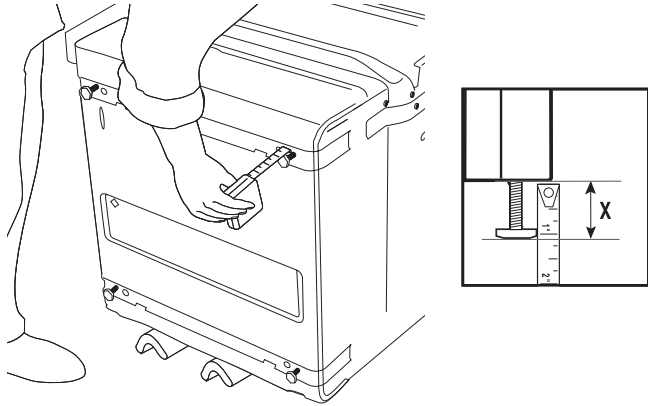
Le non-respect de cette instruction peut causer une blessure au dos ou d'autre blessure.

- Mesurer la hauteur libre de l'espace d'installation, entre le plancher et la face inférieure du plan de travail.



- Placer des cornières de l'emballage sur le sol; placer le lave-vaisselle en appui sur la face arrière.

3. Ajuster la longueur de déploiement des pieds, selon la hauteur libre de l'espace d'installation - voir le tableau ci-dessous.



H	: X	H	: X
17" (43,2 cm)	: 0"	17 7/8" (45,4 cm)	: 7/8" (2,2 cm)
17 1/8" (43,5 cm)	: 1/8" (0,3 cm)	18" (45,7 cm)	: 1" (2,5 cm)
17 1/4" (43,8 cm)	: 1/4" (0,6 cm)	18 1/8" (46 cm)	: 1 1/8" (2,9 cm)
17 3/8" (44,1 cm)	: 3/8" (1 cm)	18 1/4" (46,4 cm)	: 1 1/4" (3,2 cm)
17 1/2" (44,5 cm)	: 1/2" (1,3 cm)	18 3/8" (46,7 cm)	: 1 3/8" (3,5 cm)
17 5/8" (44,8 cm)	: 5/8" (1,6 cm)	18 1/2" (47 cm)	: 1 1/2" (3,8 cm)
17 3/4" (45,1 cm)	: 3/4" (1,9 cm)		

4. Redresser le lave-vaisselle à la position verticale.

Installation du câblage électrique

⚠ AVERTISSEMENT



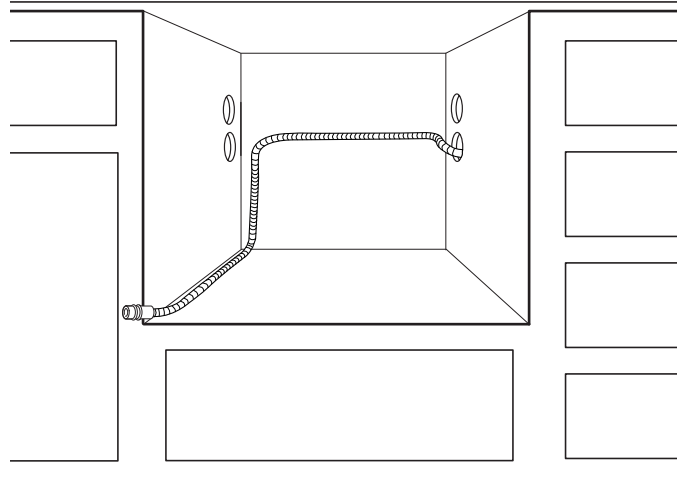
Risque de choc électrique

Interrompre l'alimentation électrique avant d'installer le lave-vaisselle (au niveau du tableau de distribution - fusible ou disjoncteur)

Le non-respect de cette instruction peut causer un décès ou un choc électrique.

Pour l'installation du câblage électrique jusqu'à l'appareil, observer les dispositions de tous les codes et règlements nationaux et locaux.

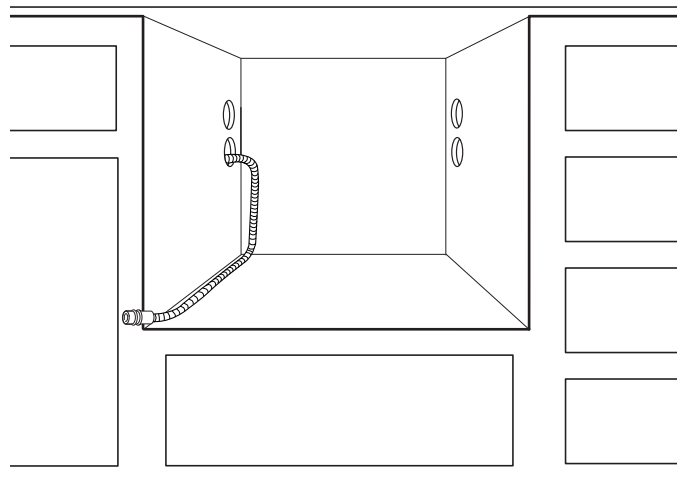
Option 1 : Acheminement du câblage électrique par le côté droit



Faire passer le câblage à travers un trou de 1 1/2" (3,81 cm) placé à 8" (20,32 cm) au-dessus du sol.

Après avoir fait passer le câble électrique à travers un trou sur le côté droit, fixer le câble à l'arrière du côté gauche de l'espace d'installation à 8" (20,32 cm) au-dessus du sol. Poursuivre l'installation du câble le long du côté gauche de l'espace d'installation, jusqu'à l'avant de l'espace d'installation.

Option 2 : Acheminement du câblage électrique par le côté gauche

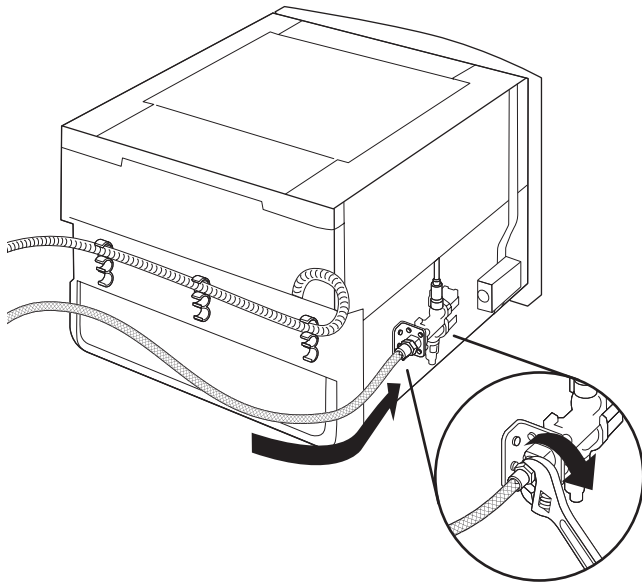


Faire passer le câble à travers un trou de 1 1/2" (3,81 cm) placé à 8" (20,32 cm) au-dessus du sol.

Après avoir fait passer le câble électrique à travers un trou sur le côté gauche, fixer le câble le long du côté gauche de l'espace d'installation, jusqu'à l'avant de l'espace d'installation.

Installation du tuyau d'arrivée d'eau et du tuyau d'évacuation

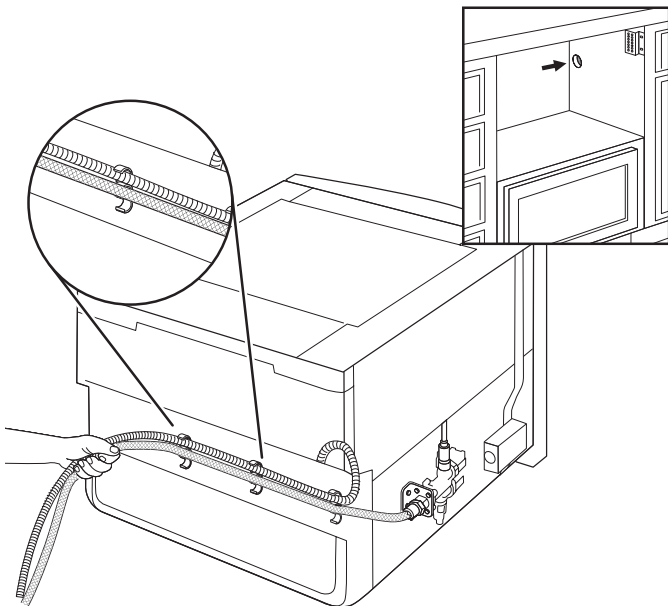
1. Connecter le tuyau d'arrivée d'eau sur l'électrovanne d'admission sur le lave-vaisselle.



2. Installer le tuyau d'arrivée d'eau et le tuyau d'évacuation, selon la configuration d'installation de votre placard.

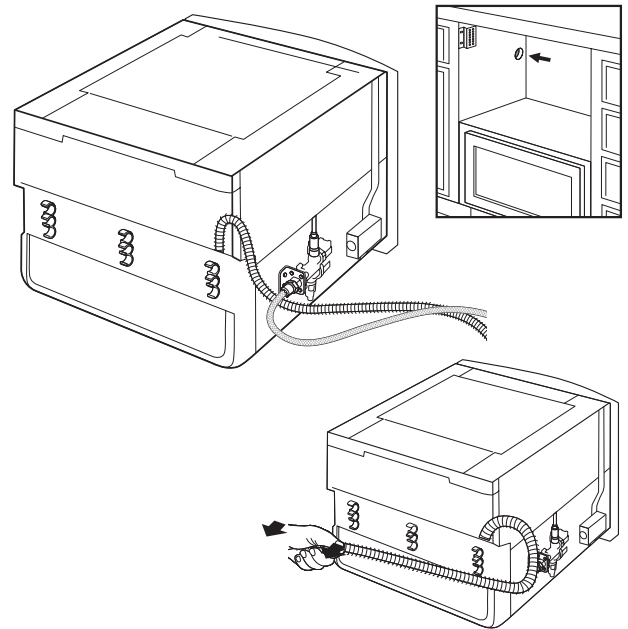
Option 1 : Acheminement des tuyaux par le côté droit

- Pour l'arrivée des tuyaux par le côté droit, le tuyau d'arrivée d'eau et le tuyau d'évacuation sont fournis à la position correcte. Placer le tuyau d'arrivée d'eau dans les agrafes - voir l'illustration.

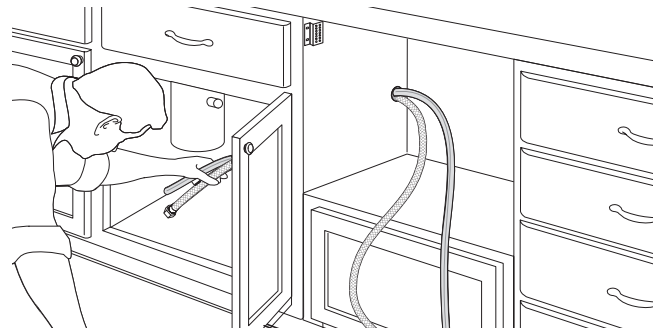


Option 2 : Acheminement des tuyaux par le côté gauche

- Pour l'arrivée des tuyaux par le côté gauche, dégager les deux parties du tuyau d'évacuation des agrafes à l'arrière de l'appareil - voir l'illustration.



- Faire passer le tuyau d'arrivée d'eau et le tuyau d'évacuation à travers les trous percés dans le placard.



Raccordement du circuit électrique

⚠ AVERTISSEMENT

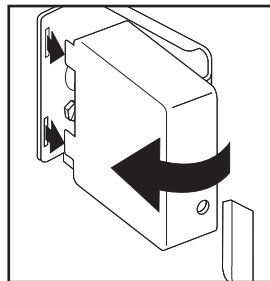
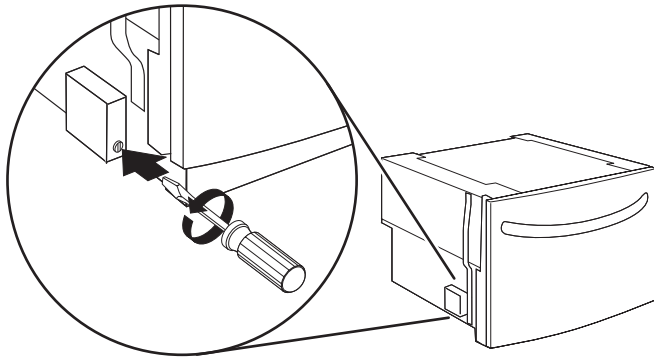


Risque de choc électrique

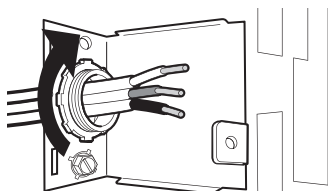
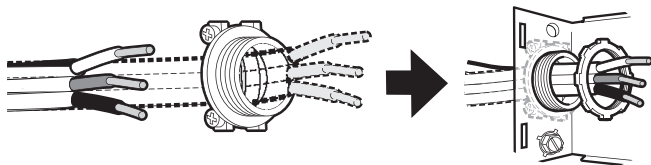
Interrompre l'alimentation électrique avant d'installer le lave-vaisselle (au niveau du tableau de distribution - fusible ou disjoncteur)

Le non-respect de cette instruction peut causer un décès ou un choc électrique.

1. Ôter la vis fixant le couvercle du boîtier de raccordement électrique. Ôter le couvercle.



2. Insérer les conducteurs électriques à travers le serre-câble; fixer le serre-câble sur la plaque du boîtier de raccordement.



⚠ AVERTISSEMENT



Risque de choc électrique

Relier le lave-vaisselle à la terre d'une méthode électrique.

Brancher le fil relié à la terre au connecteur vert relié à la terre dans la boîte de la borne.

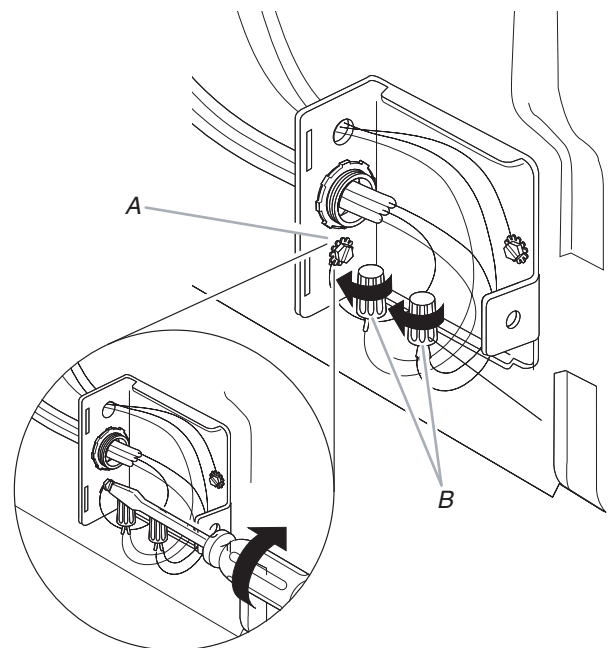
Ne pas utiliser un câble de rallonge.

Le non-respect de ces instructions peut causer un décès, un incendie ou un choc électrique.

3. Raccorder les conducteurs à l'aide de connecteurs de fils de taille appropriée pour le raccordement des conducteurs du câble et des conducteurs de calibre 16 du lave-vaisselle, comme suit.

Conducteur d'alimentation :		Conducteur dans le boîtier de l'appareil :
Blanc	↔	Blanc
Noir	↔	Noir
Conducteur de liaison à la terre	↔	Connecteur de liaison à la terre

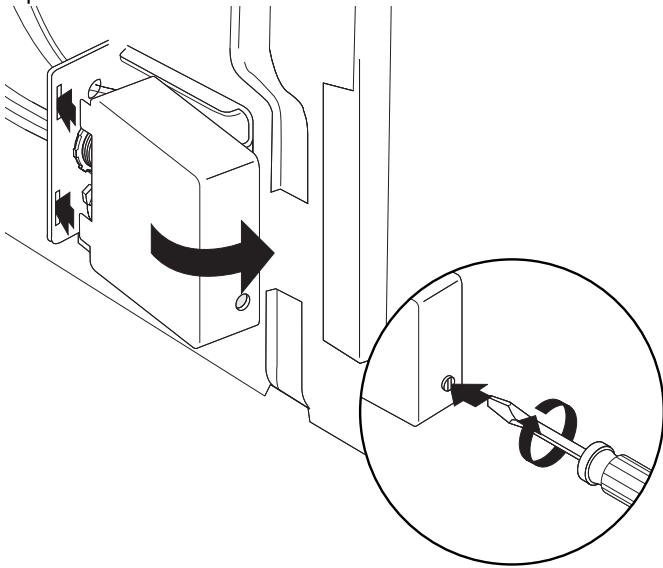
4. Fixer le conducteur de liaison à la terre sous la vis verte de liaison à la terre.



A. Fixer le conducteur de liaison à la terre sous la vis verte de liaison à la terre.

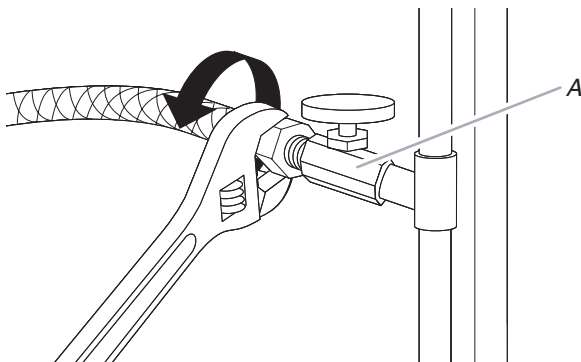
B. Connecter ensemble les conducteurs blancs et les conducteurs noirs.

5. Réinstaller le couvercle du boîtier de raccordement électrique. Veiller à ce que tous les conducteurs soient bien placés à l'intérieur du boîtier.



Raccordement du tuyau d'arrivée d'eau et du tuyau d'évacuation

1. Connecter le tuyau d'arrivée d'eau au robinet d'arrêt sous l'évier.

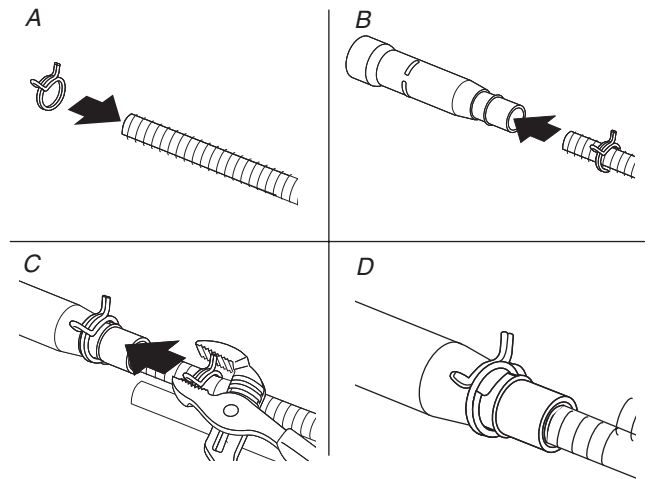


A. Arrivée d'eau chaude

2. Enfiler les brides sur les tuyaux d'évacuation (Figure A). Ne pas couper les tuyaux d'évacuation.
3. Engager complètement les tuyaux sur les branches du raccord du circuit d'évacuation (Figure B); on doit entendre plusieurs "clics".

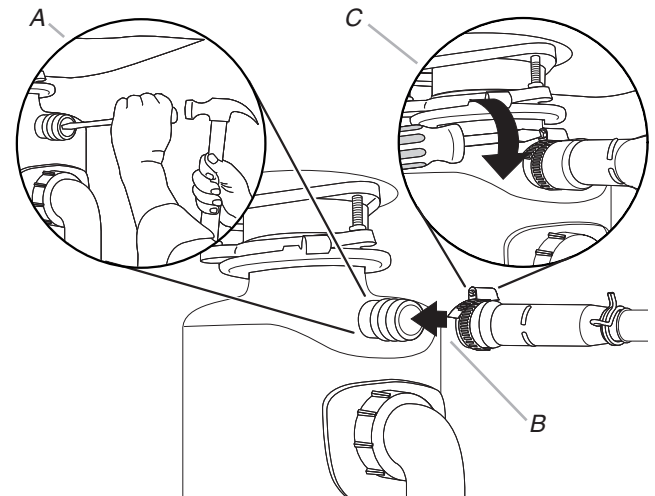
Option 2 : Installation sans broyeur à déchets/avec brise-

4. Placer la bride de serrage à la position appropriée (figures C et D).



5. Connecter le tuyau d'évacuation - utiliser l'une des options suivantes :

Option 1 : Installation avec broyeur à déchets/pas de brise-vide

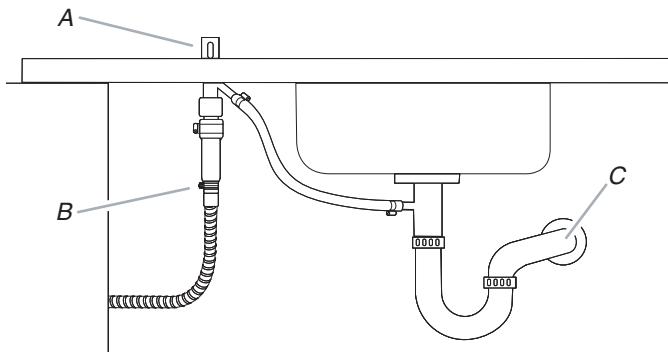


A. Pour une construction neuve, ôter l'opercule d'obturation du broyeur à déchets.

B. Raccorder le raccord du circuit d'évacuation au broyeur à déchets.

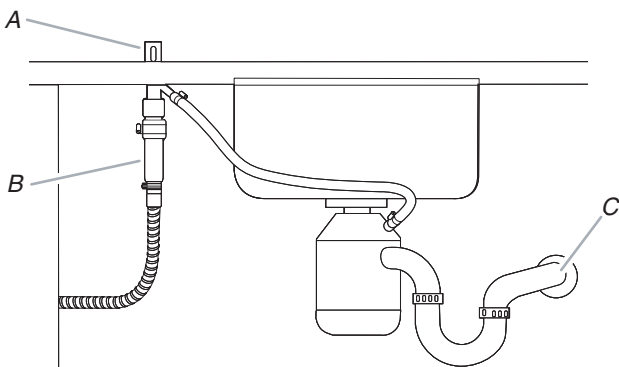
C. Serrer la bride.

vide



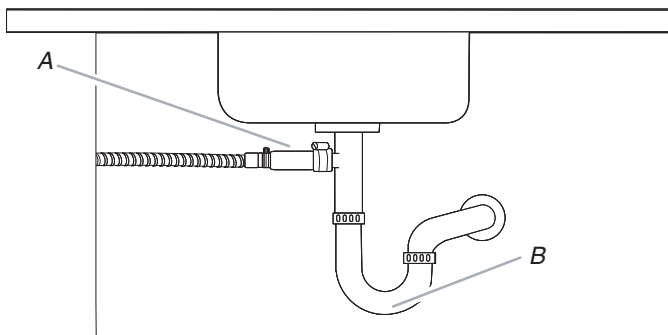
A. Raccord du circuit d'évacuation
B. Brise-vide
C. Circuit d'évacuation de la maison

Option 3 : Installation avec broyeur à déchets et brise-vide



A. Raccord du circuit d'évacuation
B. Brise-vide
C. Circuit d'évacuation de la maison

Option 4 : Installation sans broyeur à déchets/sans brise-vide



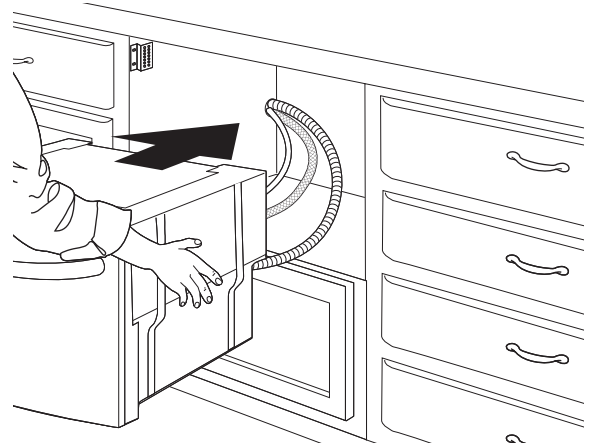
A. Raccord du circuit d'évacuation
B. Circuit d'évacuation de la maison

REMARQUE : Raccorder le raccord du circuit d'évacuation au circuit d'évacuation de la maison - utiliser la bride de tuyau fournie.

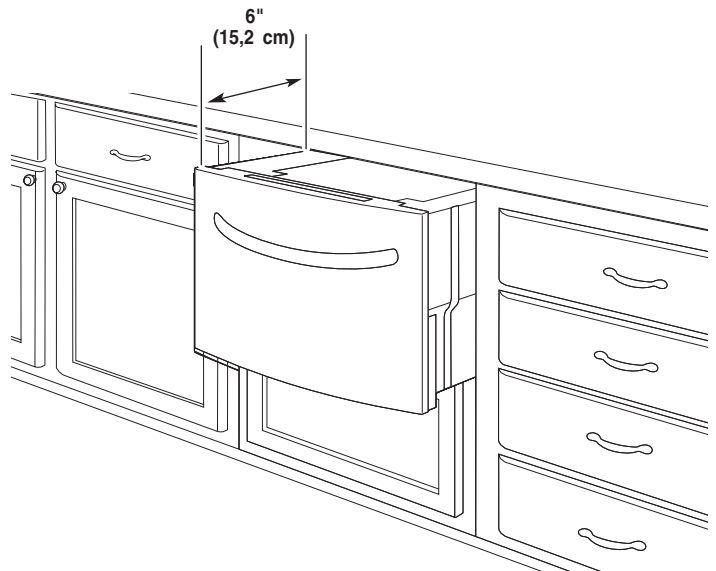
6. Ouvrir l'arrivée d'eau; inspecter pour rechercher des fuites.

Installation du tiroir et des cornières de garniture

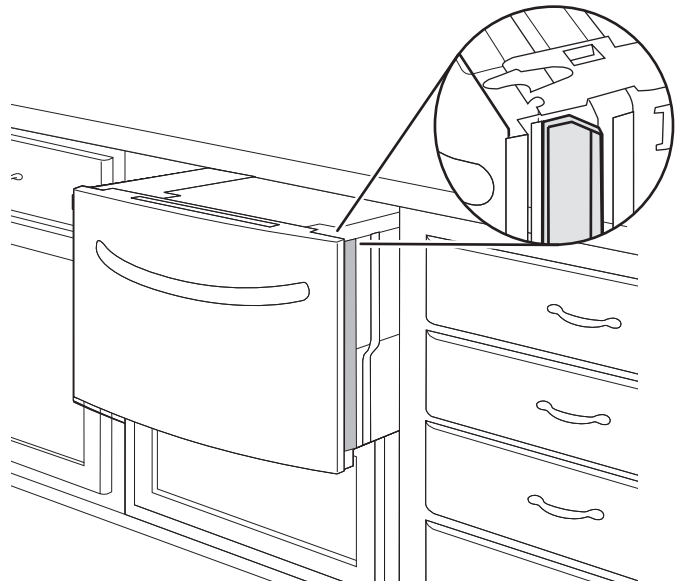
1. Acheminer les tuyaux et le câblage dans le placard tout en faisant glisser le tiroir en place.



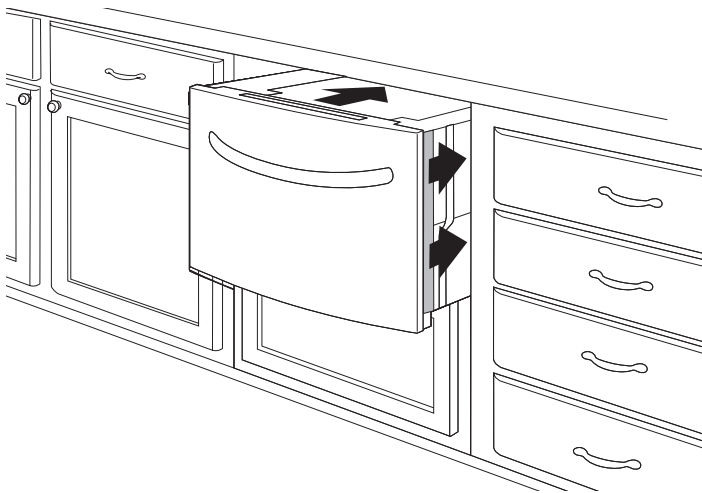
2. Laisser le tiroir ouvert d'environ 6" (15,2 cm).



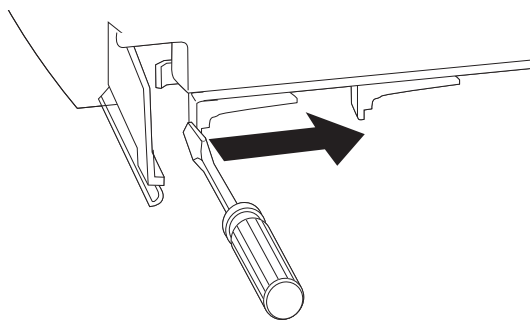
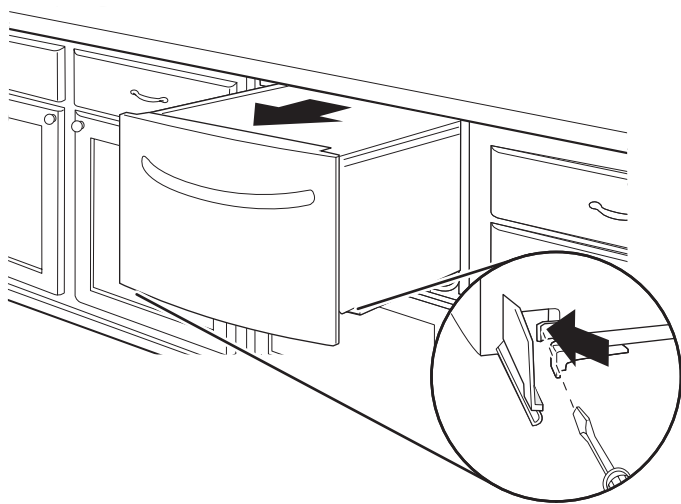
3. Placer les cornières de garniture des deux côtés du tiroir, tel qu'illustré.



4. Faire glisser le tiroir en place.

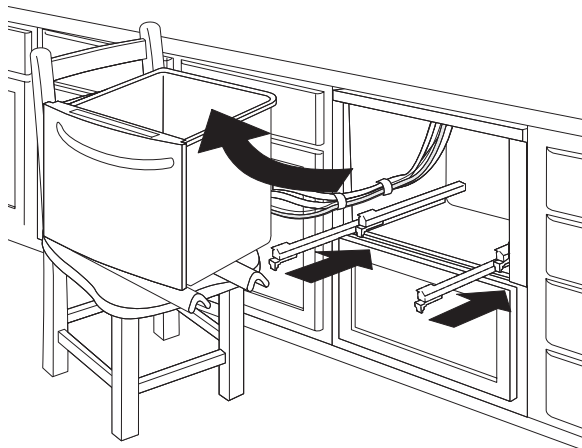


5. Tirer le tiroir et enfoncer les pattes des deux côtés.



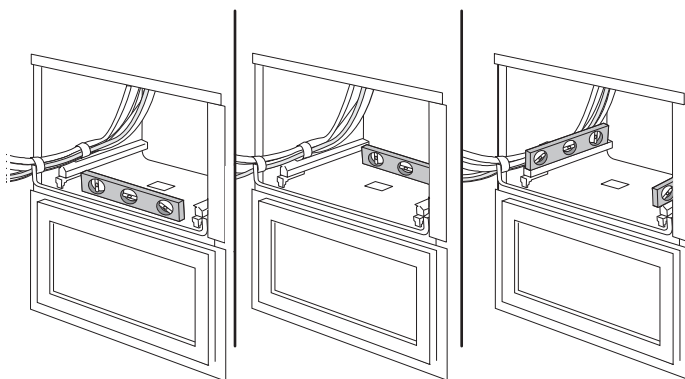
6. Rétracter les glissières d'environ 5" (12,7 cm).

7. Soulever le tiroir et le sortir de son emplacement. Le placer sur une chaise. Rétracter les glissières complètement dans l'emplacement d'installation.

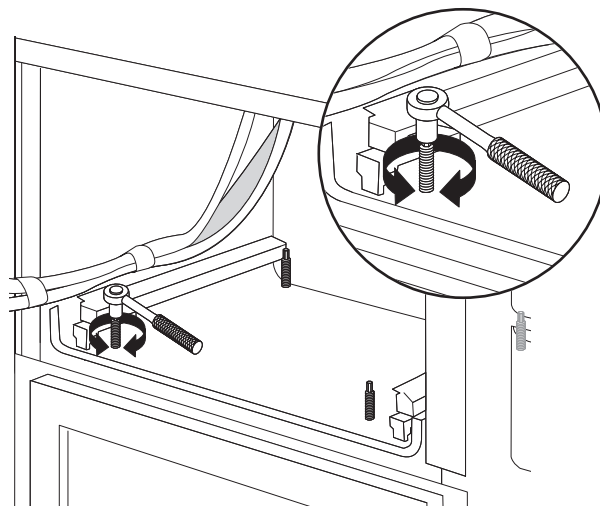


Établissement de l'aplomb du lave-vaisselle; arrimage de l'appareil

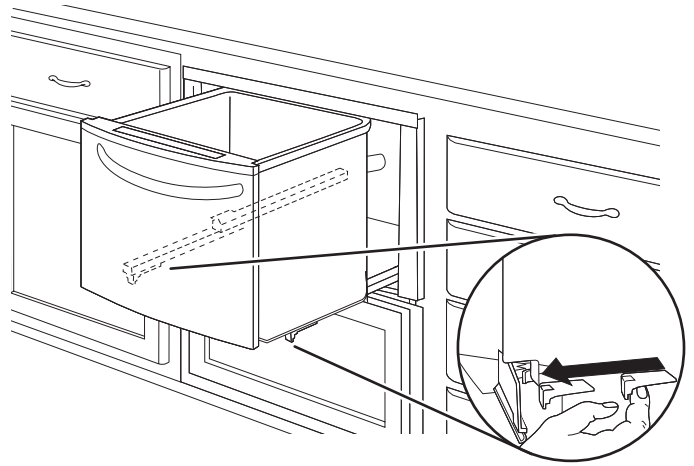
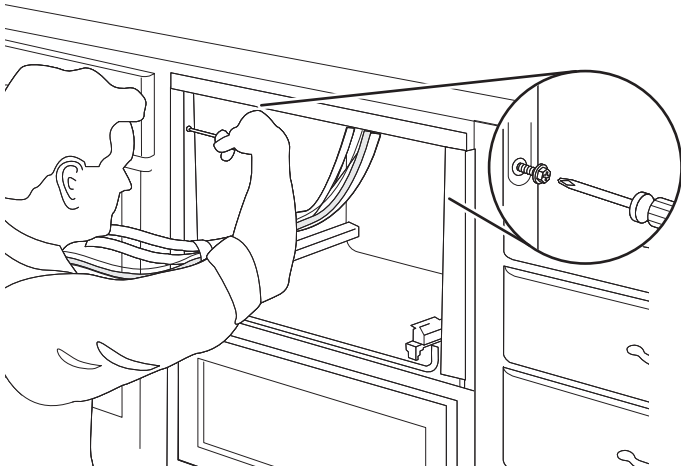
1. Contrôler l'aplomb gauche-droite du placard. Contrôler ensuite l'aplomb avant-arrière, en plaçant le niveau sur les glissières latérales.



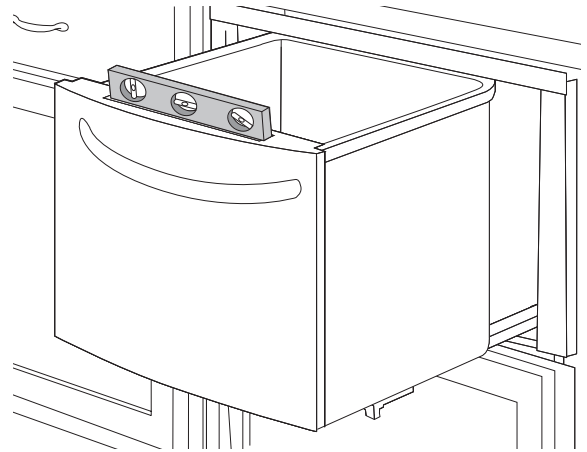
2. Établir l'aplomb du lave-vaisselle : ajuster la longueur de déploiement des pieds - utiliser une douille de $\frac{3}{16}$ ".



3. Assujettir le lave-vaisselle aux brides de montage inférieures (installées précédemment sur les placards).

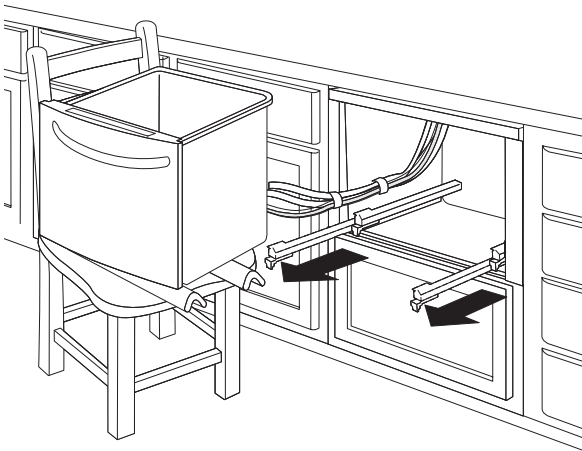


4. Contrôler de nouveau l'aplomb gauche-droite, en plaçant le niveau sur le tiroir.

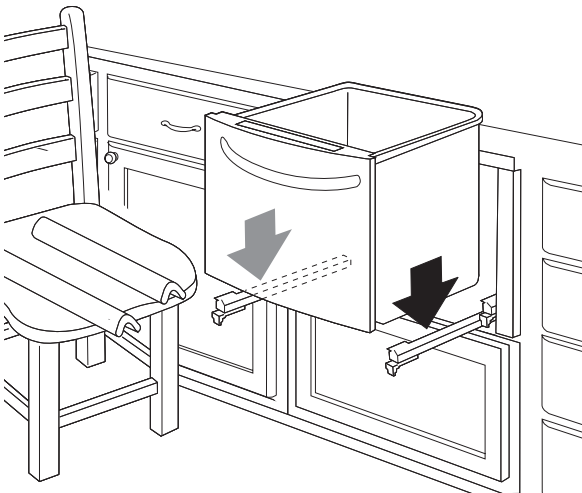


Achever l'installation

1. Tirer les glissières hors du tiroir.

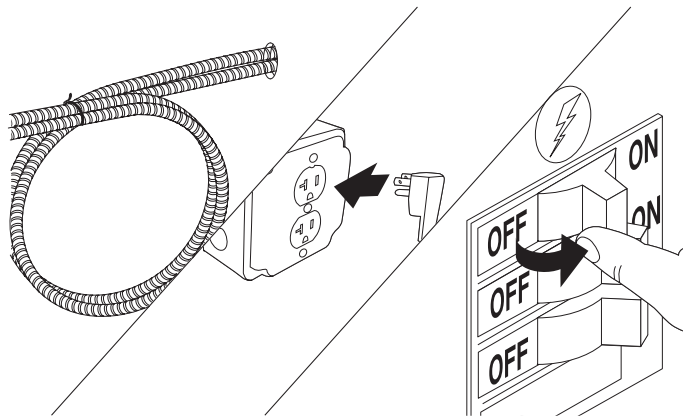


2. Déposer le tiroir sur les glissières.



3. Pousser les glissières jusqu'à ce qu'elles s'enclenchent.

5. Pousser complètement le tiroir dans son logement. Vérifier que les tuyaux et le câblage ne sont pas entortillés.
6. Dans le placard sous l'évier, former une boucle avec l'excès de longueur du tuyau d'évacuation. Utiliser l'attache de plastique pour former et immobiliser la boucle. Brancher le lave-vaisselle ou reconnecter la source de courant électrique.



7. Sélectionner le programme Rinse Only (rinçage seulement) et appuyer sur le bouton START/RESUME. Laisser le lave-vaisselle effectuer le processus de remplissage, rinçage et vidange de l'eau. Inspecter l'appareil pour identifier toute fuite. Si des fuites sont détectées, resserrer les connexions concernées et répéter le processus de contrôle.

Si vous avez besoin d'assistance ou de service :

Consulter la section "Assistance ou service" des Instructions d'utilisation ou contacter le marchand chez qui vous avez acheté votre lave-vaisselle.

INSTRUCTIONS D'INSTALLATION DU PANNEAU DÉCORATIF

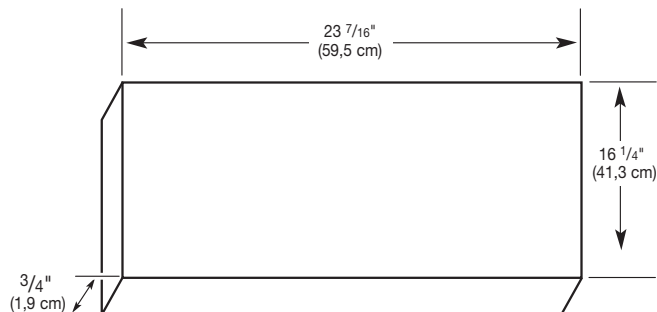
Panneau décoratif de tiroir personnalisé

Si vous envisagez d'installer un panneau personnalisé en bois, vous devrez le créer vous-même ou consulter un ébéniste ou un menuisier qualifié. Voir le dessin des dimensions pour les spécifications du panneau.

IMPORTANT :

- L'épaisseur du panneau décoratif doit être comprise entre $\frac{1}{2}$ " (12,7 mm) et $\frac{3}{4}$ " (19,05 mm).
- Respecter les dimensions indiquées pour la hauteur des panneaux décoratifs. Si la hauteur est supérieure à la valeur recommandée, le tiroir du lave-vaisselle, les placards ou le plan de travail risquent d'être endommagés.
- La largeur du panneau décoratif peut varier en fonction de la largeur de l'espace d'installation du placard.

Dimensions du panneau décoratif

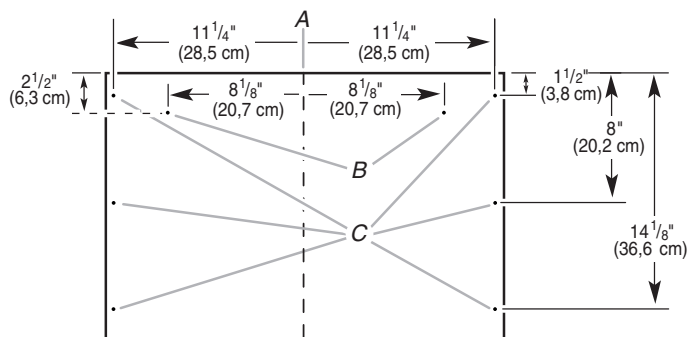


Installation des pièces de quincaillerie

Centrer les pièces de quincaillerie (de gauche à droite) sur le panneau décoratif. Lors de l'installation des pièces de quincaillerie, veiller à ce que les vis de fixation soient en affleurement avec l'arrière du panneau décoratif.

Préparation du panneau personnalisé

1. Placer le panneau personnalisé face vers le bas sur une surface propre et souple.
2. À l'aide d'un crayon, noter les points centraux pour les deux avant-trous du dispositif de fixation du panneau et les six avant-trous nécessaires pour le panneau.

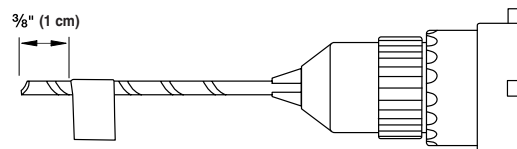


A. Ligne centrale

B. Avant-trous pour le dispositif de fixation du panneau (2)

C. Avant-trous (6)

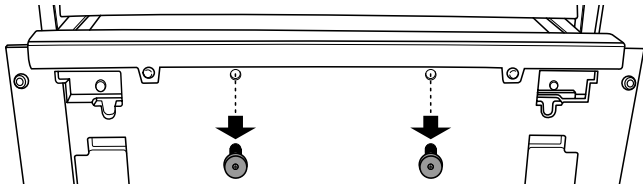
3. À l'aide d'un foret de $\frac{1}{8}$ " , percer chaque trou à $\frac{3}{8}$ " (1 cm) de profondeur.



IMPORTANT : Pour éviter de percer jusqu'à l'avant du panneau décoratif, ne pas percer à une profondeur de plus de $\frac{3}{8}$ " (1 cm).

Installation des dispositifs de fixation de panneau

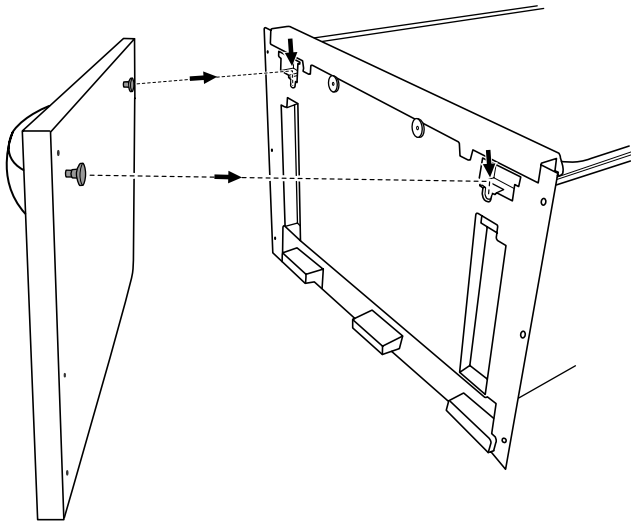
1. Ôter les deux dispositifs de fixation du panneau de la face de la porte interne.



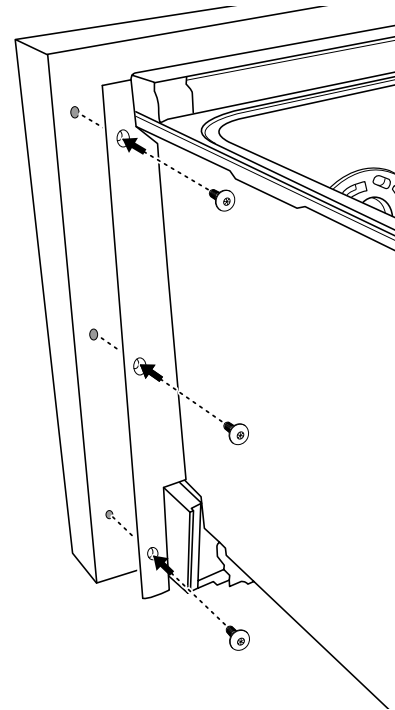
2. Visser les deux dispositifs de fixation de panneau dans les avant-trous percés à cet effet dans le panneau décoratif.

Montage du panneau décoratif

1. Monter le panneau décoratif sur le tiroir en alignant les dispositifs de fixation de panneau avec les deux encoches en trou de serrure et insérer le panneau.



2. Pour fixer le panneau décoratif sur le tiroir, pousser le panneau décoratif vers le bas jusqu'à ce que la partie supérieure du panneau décoratif soit en affleurement avec la partie supérieure du panneau de commande.
3. À l'aide des vis fournies, fixer le panneau décoratif sur la porte interne en vissant à travers la porte interne et dans les avant-trous de 1/8" (3,175 mm).



W10155577B

© 2008. All rights reserved.
Todos los derechos reservados.
Tous droits réservés.

® Registered Trademark/TM Trademark of KitchenAid, U.S.A., KitchenAid Canada licensee in Canada
® Marca registrada/TM Marca de comercio de KitchenAid, U.S.A., usada en Canadá bajo licencia de KitchenAid Canada
® Marque déposée/TM Marque de commerce de KitchenAid, U.S.A., Emploi sous licence par KitchenAid Canada au Canada

2/08
Printed in U.S.A.
Impreso en EE.UU.
Imprimé aux É.-U.

Free Manuals Download Website

<http://myh66.com>

<http://usermanuals.us>

<http://www.somanuals.com>

<http://www.4manuals.cc>

<http://www.manual-lib.com>

<http://www.404manual.com>

<http://www.luxmanual.com>

<http://aubethermostatmanual.com>

Golf course search by state

<http://golfingnear.com>

Email search by domain

<http://emailbydomain.com>

Auto manuals search

<http://auto.somanuals.com>

TV manuals search

<http://tv.somanuals.com>