

# **KitchenAid®**

---

## **Natural Gas Conversion Kit**

### **Instructions**

For questions about features, operation/performance, parts, accessories or service, call:  
**1-877-373-2301**

---

## **Juego de Conversión a Gas Natural**

### **Instrucciones**

Para consultas respecto a características, funcionamiento, rendimiento, piezas, accesorios o servicio técnico, llame al:  
**1-877-373-2301**

---

## **Ensemble de Conversion Pour Gaz Naturel**

### **Instructions**

Pour des questions à propos des caractéristiques, du fonctionnement/rendement, des pièces, des accessoires ou du service, composer le : **1-877-373-2301**

---

Table of Contents / Índice / Table des matières .....2

---

## TABLE OF CONTENTS

<b>Safety Instruction</b> .....	<b>3</b>
Tools and parts for Gas Conversion.....	4
Conversion from LP Gas to Natural Gas.....	5-8
Check and adjust burner.....	9
Limited Warranty.....	10

---

## ÍNDICE

<b>Instrucciones de Seguridad</b> .....	<b>12</b>
Herramientas y piezas para la conversión de gas.....	13
Conversión de gas LP a gas natural.....	14-17
Revise y regule los quemadores.....	18
Garantía Limitada.....	19

---

## TABLE DES MATIÈRES

<b>Instructions de sécurité</b> .....	<b>21</b>
Outils et pièces pour conversion de gaz.....	22
Conversion de propane à gaz naturel .....	23-26
Contrôle et réglage des brûleurs.....	27
Garantie Limitée.....	28

# SAFETY INSTRUCTIONS

## Your safety and the safety of others are very important.

We have provided many important safety messages in this manual and on your appliance. Always read and obey all safety messages.



This is the safety alert symbol.

This symbol alerts you to potential hazards that can kill or hurt you and others.

All safety messages will follow the safety alert symbol and either the word "DANGER" or "WARNING."

These words mean:

**⚠ DANGER**

You can be killed or seriously injured if you don't immediately follow instructions.

**⚠ WARNING**

You can be killed or seriously injured if you don't follow instructions.

All safety messages will tell you what the potential hazard is, tell you how to reduce the chance of injury, and tell you what can happen if the instructions are not followed.



## DANGER

If you smell gas:

1. Shut off gas to the appliance.
2. Extinguish any open flame.
3. Open lid.
4. If odor continues, keep away from the appliance and immediately call your gas supplier or your fire department



## WARNING

1. Do not store or use gasoline or other flammable liquids or vapors in the vicinity of this or any other appliance.
2. An LP cylinder not connected for use shall not be stored in the vicinity of this or any other appliance.

In the State of, the following installation instructions apply:

- Installations and repairs must be performed by a qualified or licensed contractor, plumber, or gasfitter qualified or licensed by the State of Massachusetts.
- If using a ball valve, it shall be a T-handle type.
- A flexible gas connector, when used, must not exceed.

## IMPORTANT SAFETY INSTRUCTIONS

**WARNING:** To reduce the risk of fire injury to persons, or damage when using NG Conversion Kit & and outdoor cooking gas appliance, follow basic precautions, including the following:

- Gas conversions must be done by a qualified installer.
- The connector is intended only for use outdoors with portable appliance that may be moved for convenience of operation.
- Connectors are designed for movement after installation, but must not be kinked, twisted or torque. Periodic visual inspection should be made to determine that the connector is suitable for continued use.
- Connect with damaging foreign objects or substances must be avoided.
- Connected hose assembly shall be of adequate length and capacity for intended application. Final assembly must be tested for leaks.

**Caution:** Test for leaks only with leak test solution. Rinse with clear water after leak test to remove any corrosive residue. DO NOT USE OPEN FLAME TO TEST FOR GAS LEAKS.

**SAVE THESE INSTRUCTIONS**

---

# Tools and Parts for Gas Conversion

**Note:** This manual covers several different models. The grill you have purchased may have some or all of the features listed. The locations and appearances of the features shown here may not match those of your model. Please refer to your grill's manual for specific instructions or contact customer service for information at 1-877-373-2301.

## **IMPORTANT:**

Gas conversions must be done by a qualified installer. Before proceeding with conversion, shut off the gas supply to the appliance prior to disconnecting the electrical power.

If there are damaged or missing parts when you unpack this kit, call 1-877-373-2301. DO NOT have your QUALIFIED GAS TECHNICIAN attempt to install this kit until you receive replacement for any damaged or missing parts.

Gather the required tools and parts before starting installation. Read and follow the instructions provided with any tools listed here.

## **Tools needed**

- Phillips screwdriver
- Pipe wrench
- Adjustable wrench
- 6 mm socket and wrench or 6 mm nut driver
- Thin flat-blade screwdriver
- Pliers
- Pipe thread sealant certified for LP gas

## **Parts needed**

- Natural gas orifices (supplied with grill)

## **Parts supplied**

- Natural gas regulator 4" W.C. (marked "Natural Gas Regulator")
- 10 ft (3.0 m) Natural gas hose with quick connector
- 5.9" (150 mm) Natural gas regulator hose
- 6 mm nut driver
- 6 mm wrench
- Hex Key

# Conversion from Liquid Propane (LP) to Natural Gas (NG)

## ⚠ WARNING



### Explosion Hazard

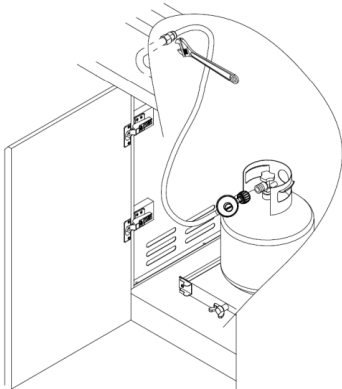
Use a new CSA International approved "outdoor" gas supply line.

Securely tighten all gas connections.

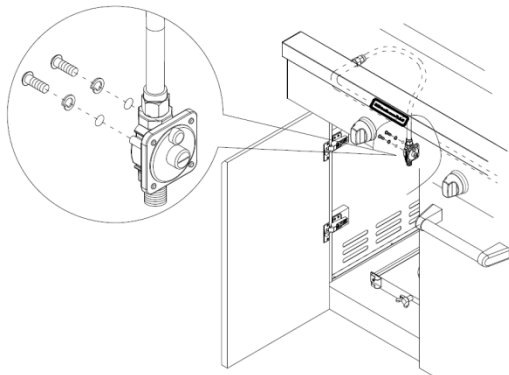
Failure to do so can result in death, explosion, or fire.

### Installation of the regulator

1. Turn off the main gas supply valve.
2. Unplug grill or disconnect power.
3. Disconnect 20 lb LP gas fuel tank (if present).
4. Turn off all burner control valves.
5. Remove the 20 lb LP gas fuel tank (if present) from the grill cart.
6. Use an adjustable wrench to remove the LP regulator from the manifold.

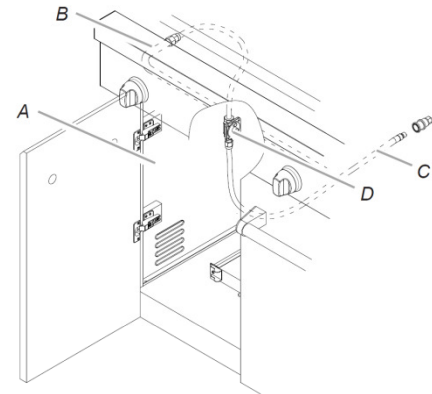


7. Use an adjustable wrench to install the Natural gas regulator hose to the manifold and secure. Attach the Natural gas regulator to the side panel inside the grill cart with the two screws that are preassembled on the regulator.



### Make Gas Connection

1. A combination of pipe fittings must be used to connect the grill to the existing gas line.
  - The 10 ft (3.0 m) PVC flexible gas supply hose design-certified by CSA must be used.
  - Pipe-joint compounds suitable for use with Natural gas must be used. Do not use Teflon† tape.
  - There must be a certified manual shutoff valve in the gas supply line near the grill for easy access.
2. Connect the brass connector on one end of the 10 ft (3.0 m) PVC flexible gas supply hose (supplied) to the Natural gas pressure regulator.
3. Connect the quick connector on the other end of the 10ft (3.0 m) PVC flexible gas supply hose to the rigid Natural gas supply pipe.



A. Side panel

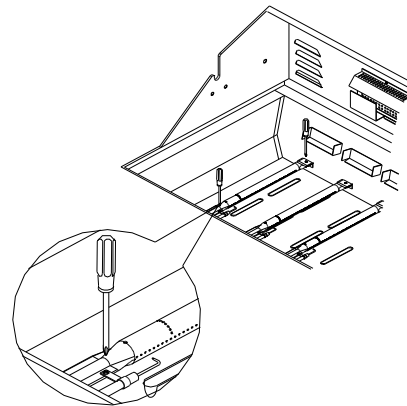
B. Manifold

C. 10ft. (3.0m) PVC gas hose

D. Natural gas pressure regulator/hose assembly

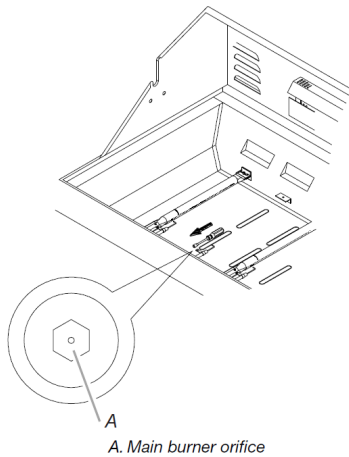
### Change Grill Burner Valve Orifices

1. Remove the grates and flame tamers.
2. Remove the screws and pin that hold the burner in place. Set the screws and pin aside. Remove the burner from the grill by lifting the burner out.



†®TEFLON is a registered trademark of E.I. Du Pont De Nemours and Company.

- Use a 6 mm socket and wrench or 6 mm nut driver to remove the brass orifice from the end of gas valve. The main burner NG orifice is located behind the LP orifice, so no additional orifice needs to be installed.



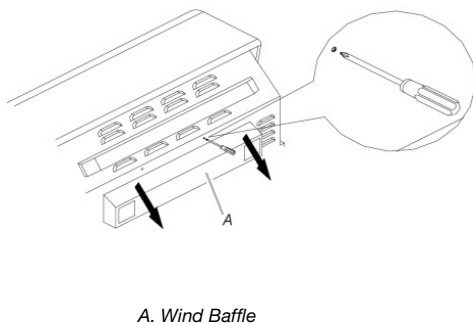
**IMPORTANT:** Check that the NG orifice is properly installed inside of the burner opening.

- Reinsert the burner and reattach using the 2 screws or pin previously removed. Repeat the procedure for each main burner.
- Position the igniters so they are 1/4" (6.0 mm) away from each burner.

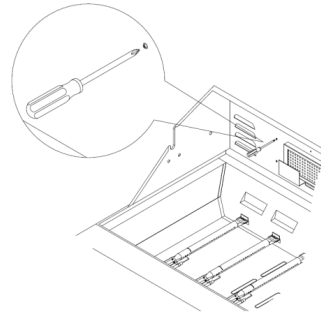
**IMPORTANT:** Only Main Burners have the NG orifice pre-installed behind the LP orifice. All other burners required LP orifice to be removed and NG orifice to be installed.

### Change the Rotisserie/Infrared Burner Orifice

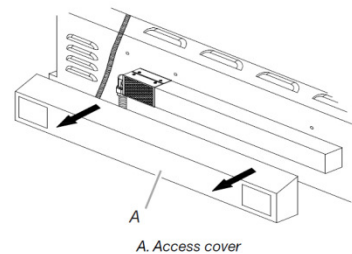
- Using a Phillips screwdriver, unscrew the screws and remove the rotisserie/infrared burner wind baffle.



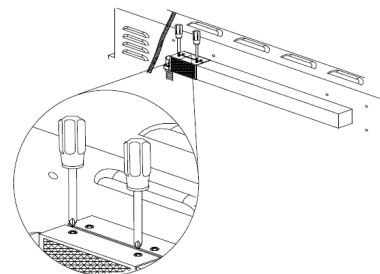
- Using a Phillips screwdriver, remove the screws at the back of grill from inside the grill.



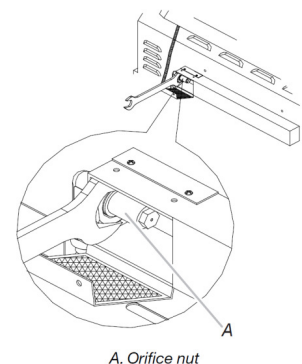
- Remove the access cover at the back of the grill hood by removing the 4 screws (2 screws on each side of the rotisserie infrared burner).



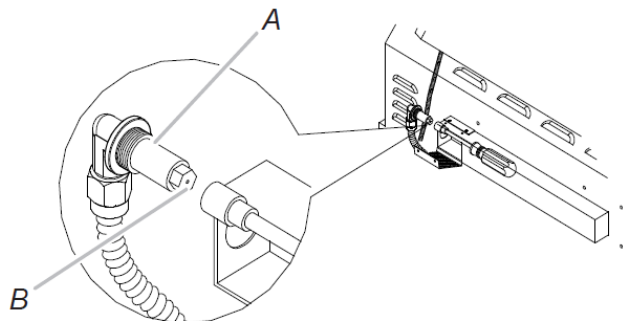
- Using a Phillips screwdriver, remove the screws holding the spider guard to the burner.



- Use 24 mm wrench to remove the orifice nut.



6. Take out the orifice support, and then use a 6 mm socket and wrench or 6 mm nut driver to remove the LP orifice at the end of the supply pipe. Replace with Natural gas orifice.



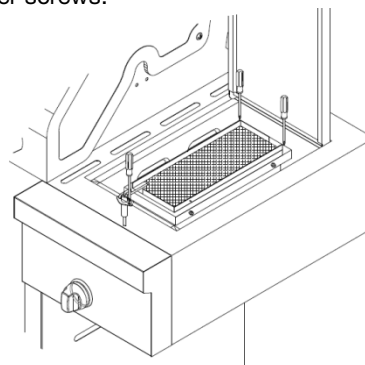
A. Orifice support  
B. Orifice

**IMPORTANT:** Check that the orifice is properly installed inside of supply pipe.

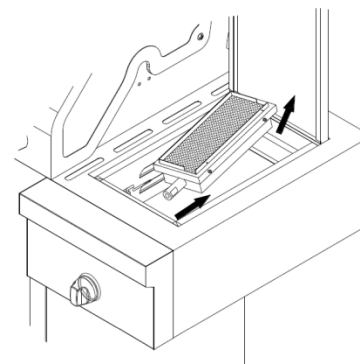
7. Reinstall the orifice support and supply pipe and tighten the nut with a 24 mm wrench.
8. Reinstall the spider guard, access cover, and wind baffle.

### Change the Sear burner orifices

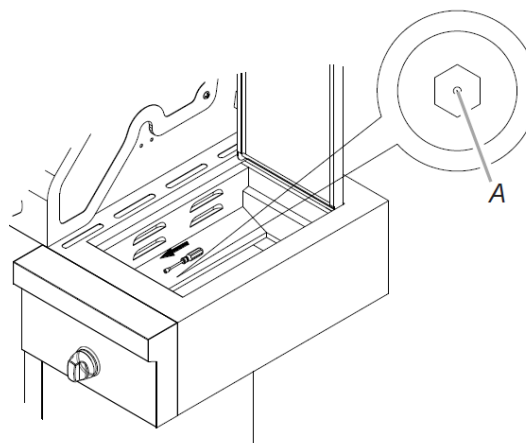
1. Remove the screw securing the igniter and the 2 searing side burner screws.



2. Lift the searing side burner out of the grill.

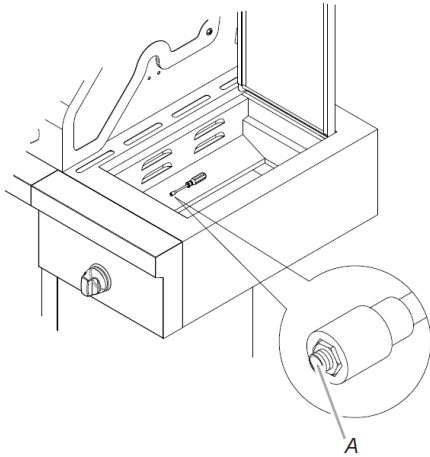


3. Locate the LP gas orifice to the end of the valve.



A. Orifice

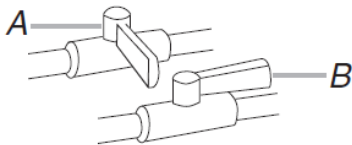
4. Use 6 mm socket wrench or 6 mm nut driver to remove the orifice. Replace with the Natural gas orifice.



A. Orifice

**IMPORTANT:** Check that the orifice is properly installed inside of valve.

5. Reinstall the searing side burner. Make sure that the igniter is out of the way to allow proper positioning of burner. Use Phillips screwdriver to attach the mounting screws.
6. Use Phillips screwdriver to reattach the igniter and searing side burner plate.
7. Reinstall searing side burner cover (if removed). Use Phillips screwdriver to attach mounting screws.
8. Open the manual shutoff valve in the gas supply line. The valve is open when the handle is parallel to the gas pipe.



A. Closed valve  
B. Open valve

9. Test all connections using an approved noncorrosive leak-detection solution. Bubbles will show a leak. Correct any leak found.

### Record Conversion

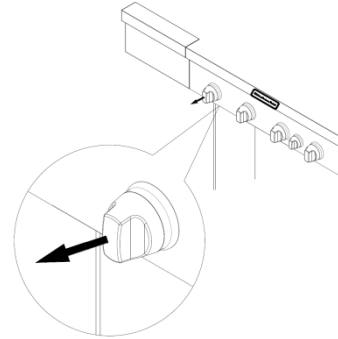
1. The appliance nameplate is located inside the grill cabinet on the left-hand cabinet side or inside of the cabinet door. With a permanent marker, check the box next to "Natural gas" and mark through "LP -Propane." In the last page of the Use and Care Guide, write "Converted to Natural Gas." Also record the conversion date and the technician/company that performed the conversion.

**NOTE:** Place LP gas parts in plastic parts bag for future use and keep with pack containing literature.

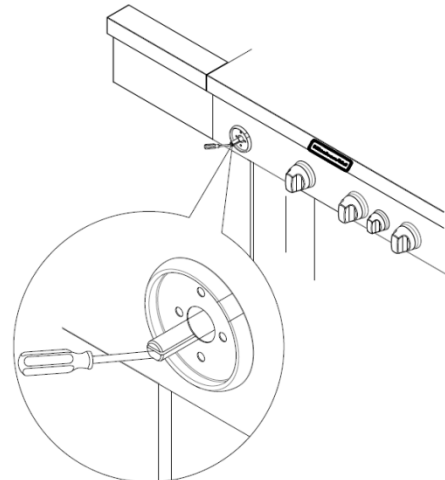
### Adjust High Flame Setting Screw

When converting from LP to Natural gas, you will need to adjust the high flame setting screw for ideal burner flame height.

1. Remove each control knob for the main burners and side burner.



2. Use a flat-blade screwdriver to turn the high flame setscrew counterclockwise approximate 90 degree.



3. Check that burner operates at the new high flame setting. It may be necessary to adjust the screw setting slightly more to get the ideal burner flame height.



# Check and Adjust Burner

The burners are tested and factory-set for most efficient operation. However, variations in gas supply and other conditions may make minor adjustments to air shutter or low flame setting necessary.

It is recommended that a qualified technician make burner adjustments.

**NOTE:** The rotisserie burner cannot be adjusted. Checking and adjusting the grill burner flames requires removing the grates and flame tamers.

## **Burner Flame Characteristics**

The flames of the grill burners and side burners (on some models) should be blue and stable with no excessive noise or lifting (LP gas flames will have a slightly yellow tip). A yellow flame indicates not enough air. If flame is noisy or lifts away from the burner, there is too much air. Some yellow tips on flames when the burner is set to HIGH setting are acceptable as long as no carbon or soot deposits appear. The flames should be approximately 1" (2.5 cm) high.

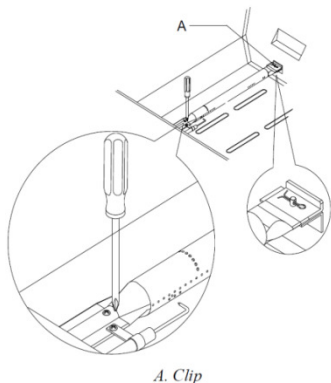


Check that burners are not blocked by dirt, debris, insect nests, etc., and clean burners as necessary. If they are clean, adjust air shutters as needed.

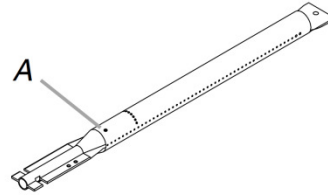
**IMPORTANT:** Before adjusting air shutters, let burners cool completely.

### **To Adjust:**

1. Light grill using information in the "Outdoor Grill Use" section.
2. Observe flame to determine which burners need adjustment and how the flame is acting.
3. Turn off the valve and wait until grill and burners cool completely.
4. Remove grill grates and flame tamers.
5. Remove the screw and cotter clip that hold the burner in place. Remove gas burner from the grill.



6. If flame is yellow (not enough air), turn air shutter adjustment screw counterclockwise. If flame is noisy or lifts away from burner (too much air), turn air shutter adjustment screw clockwise.



A. Air shutter adjustment screw

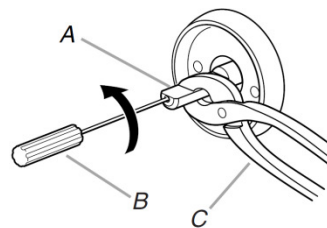
Adjustment should be made clockwise or counterclockwise from 1/8" (3.2 mm) to 1/4" (6.4 mm).

7. Replace gas burner, flame tamers and grates.
8. Light grill using information in the "Outdoor Grill Use" section. See "Burner Flame Characteristics."

## **Low Flame Adjustment**

If flame goes out on the "LOW" setting, the low flame setting must be adjusted.

1. Turn off the valve and wait until grill and burners are cool.
2. Remove grill grates and flame tamers.
3. Light grill using information in the "Outdoor Grill Use" section.
4. Turn burner to its lowest setting.
5. Pull out each control knob for the main burner and side burner.
6. Hold valve stem with pliers and insert a small flat-blade screwdriver into the shaft.
7. Watch the flame and slowly turn the screwdriver counterclockwise.
8. Adjust flame to minimum stable flame.



9. Replace the control knob and turn off the burner.
10. Repeat steps 3 through 9 for each burner if needed.
11. Replace the flame tamers and grates after the burners have cooled.

---

# Limited Warranty

Nexgrill warrants to the original consumer-purchaser only that this product (*Model #710-0003*) shall be free from defects in workmanship and materials after correct assembly and under normal and reasonable home use for the periods indicated below beginning on the date of purchase. The manufacturer reserves the right to require photographic evidence of damage, or that defective parts be returned, postage and or freight pre-paid by the consumer, for review and examination.

**ALL PARTS:** 1 Year *LIMITED* warranty

Upon consumer supplying proof of purchase as provided herein, Manufacturer will repair or replace the parts which are proven defective during the applicable warranty period. Parts required to complete such repair or replacement shall be free of charge to you except for shipping costs, as long as the purchaser is within the warranty period from the original date of purchase. The original consumer-purchaser will be responsible for all shipping charges of parts replaced under the terms of this limited warranty. This limited warranty is applicable in the United States only, is only available to the original owner of the product and is *not transferable*. Manufacturer requires reasonable proof of your date of purchase. Therefore, you should retain your sales receipt and/or invoice. If the unit was received as a gift, please ask the gift-giver to send in the receipt on your behalf, to the below address. Defective or missing parts subject to this limited warranty will not be replaced without registration or proof of purchase. This limited warranty applies to the functionality of the product **ONLY** and does not cover cosmetic issues such as scratches, dents, corruptions or discoloring by heat, abrasive and chemical cleaners or any tools used in the assembly or installation of the appliance, surface rust, or the discoloration of stainless steel surfaces. Surface rust, corrosion, or powder paint chipping on metal parts that does not affect the structural integrity of the product is not considered a defect in workmanship or material and is not covered by this warranty. This limited warranty will not reimburse you for the cost of any inconvenience, food, personal injury or property damage. If an original replacement part is not available, a comparable replacement part will be sent. You will be responsible for all shipping charges of parts replaced under the terms of this limited warranty.

## ITEMS MANUFACTURER WILL NOT PAY FOR:

- Service calls to your home.
- Repairs when your product is used for other than normal, single-family household or residential use.
- Damage resulting from accident, alteration, misuse, lack of maintenance/cleaning, abuse, fire, flood, acts of God, improper installation, and installation not in accordance with electrical or plumbing codes or use of products not approved by the manufacturer.
- Any food loss due to product failures.
- Replacement parts or repair labor costs for units operated outside the United States or Canada.
- Pickup and delivery of your product.
- Postage fees or photo processing fees for photos sent in as documentation.
- Repairs to parts or systems resulting from unauthorized modifications made to the product.
- The removal and/or reinstallation of your product.
- Shipping cost, standard or expedited, for warranty/non warranty and replacement parts.

## DISCLAIMER OF IMPLIED WARRANTIES: LIMITATION OF REMEDIES

*Repair or replacement of defective parts is your exclusive remedy* under the terms of this limited warranty. Manufacturer will not be responsible for any consequential or incidental damages arising from the breach of either this limited warranty or any applicable implied warranty, or for failure or damage resulting from acts of God, improper care and maintenance, grease fire, accident, alteration, replacement of parts by anyone other than Manufacturer, misuse, transportation, commercial use, abuse, hostile environments (inclement weather, acts of nature, animal tampering), improper installation or installation not in accordance with local codes or printed manufacturer instructions.

THIS LIMITED WARRANTY IS THE SOLE EXPRESS WARRANTY GIVEN BY THE MANUFACTURER. NO PRODUCT PERFORMANCE SPECIFICATION OR DESCRIPTION WHEREVER APPEARING IS WARRANTED BY MANUFACTURER EXCEPT TO THE EXTENT SET FORTH IN THIS LIMITED WARRANTY. ANY IMPLIED WARRANTY PROTECTION ARISING UNDER THE LAWS OF ANY STATE, INCLUDING IMPLIED WARRANTY OF MERCHANTABILITY OR FITNESS FOR A PARTICULAR PURPOSE OR USE, IS HEREBY LIMITED IN DURATION TO THE DURATION OF THIS LIMITED WARRANTY.

Neither dealers nor the retail establishment selling this product has any authority to make any additional warranties or to promise remedies in addition to or inconsistent with those stated above. Manufacturer's maximum liability, in any event, shall not exceed the documented purchase price of the product paid by the original consumer. This warranty only applies to units purchased from an authorized retailer and or re-seller. NOTE: Some states do not allow an exclusion or limitation of incidental or consequential damages, so some of the above limitations or exclusions may not apply to you; this limited warranty gives you specific legal rights as set for herein. You may also have other rights which vary from state to state.

If you wish to obtain performance of any obligation under this limited warranty, you should write to:

**Nexgrill Customer Relations**

**5270 Edison Avenue.,**

**Chino, CA 91710**

*All consumer returns, parts orders, general questions, and troubleshooting assistance can be acquired by calling 1-877-373-2301.*

# Instrucciones de Seguridad

## Su seguridad y la seguridad de los demás es muy importante.

Hemos incluido muchos mensajes importantes de seguridad en este manual y en su electrodoméstico. Lea y obedezca siempre todos los mensajes de seguridad.



Este es el símbolo de advertencia de seguridad.

Este símbolo le llama la atención sobre peligros potenciales que pueden ocasionar la muerte o una lesión a usted y a los demás.

Todos los mensajes de seguridad irán a continuación del símbolo de advertencia de seguridad y de la palabra "PELIGRO" o "ADVERTENCIA". Estas palabras significan:

### PELIGRO

Si no sigue las instrucciones de inmediato, usted puede morir o sufrir una lesión grave.

### ADVERTENCIA

Si no sigue las instrucciones, usted puede morir o sufrir una lesión grave.

Todos los mensajes de seguridad le dirán el peligro potencial, le dirán cómo reducir las posibilidades de sufrir una lesión y lo que puede suceder si no se siguen las instrucciones.

### PELIGRO

Si usted siente olor a gas:

1. Cierre el suministro de gas al aparato.
2. Extinga cualquier llama que esté al descubierto.
3. Abra la tapa.
4. Si continúa el olor, manténgase lejos del aparato y llame inmediatamente a su proveedor de gas o al departamento de bomberos.

### ADVERTENCIA

1. No almacene ni use gasolina u otros líquidos o vapores inflamables cerca de éste o cualquier otro aparato.
2. No deberá guardarse un tanque de gas LP que no esté conectado para ser usado cerca de éste o cualquier otro aparato.

En el estado de Massachusetts se aplican las siguientes instrucciones de instalación:

- Las instalaciones y reparaciones se deben efectuar por un contratista, plomero o gasista calificado o licenciado por el estado de Massachusetts.
- Si se usa una válvula de bola, debe ser un tipo de manigueta T.
- Si se usa un conector de gas flexible no debe exceder de 3 pies.

## INSTRUCCIONES IMPORTANTES DE SEGURIDAD

**ADVERTENCIA:** reducir el riesgo de incendio, choque eléctrico, lesiones a personas o daños al usar el aparato de cocción a gas en exteriores, siga precauciones básicas, incluyendo las siguientes:

- Las conversiones de gas deberán ser hechas por parte de un instalador competente.
- El conector se ha diseñado para usarse solamente en el exterior, con un aparato portátil que se pueda mover para usarse cómodamente.
- Los conectores se han diseñado con la capacidad de moverse después de la instalación, pero no se deben pellizcar, retorcer ni torcer. La inspección visual periódica se debe realizar para determinar que el conector sea adecuado para seguirse usando.
- Se deberá evitar conectar con sustancias u objetos extraños que causen daños.
- El ensamblaje de la manguera que se conecte deberá ser del largo adecuado y tener la capacidad para el uso que se le va a dar. Una vez terminado el ensamblaje, se deberán hacer pruebas de detección de fugas.

**Cuidado:** Haga pruebas de detección de fugas solamente con una solución para detectar fugas. Enjuague con agua limpia después de realizar una prueba de detección de fugas para remover cualquier residuo corrosivo.

NO UTILICE UNA LLAMA ABIERTA PARA DETECTAR FUGAS.

**GUARDE ESTAS INSTRUCCIONES**

---

# Herramientas y piezas para la conversión de gas

**Nota:** Este manual cubre varios modelos diferentes. El asador que usted ha adquirido puede tener algunas o todas las características que aparecen a continuación. Es posible que la ubicación y la apariencia de las características que se muestran aquí no coincidan con las de su modelo. Sírvase consultar el manual del asador para ver instrucciones específicas o póngase en contacto con servicio al cliente al 1-877-373-2301 para obtener información.

**IMPORTANTE:** Las conversiones de gas deberán ser hechas por parte de un instalador competente. Antes de proceder a la conversión, cierre el suministro de gas al aparato antes de desconectar el suministro eléctrico.

Si hay piezas dañadas o si faltan piezas cuando desempaca este juego, llame al 1-877-373-2301. NO haga que su TÉCNICO DE GAS CALIFICADO intente instalar este juego hasta que reciba el reemplazo de cualquier pieza dañada o faltante.

Reúna todas las herramientas y piezas necesarias antes de comenzar la instalación. Lea y siga las instrucciones provistas con cualquiera de las herramientas enlistadas aquí.

## Herramientas necesarias

- Destornillador Phillips
- Destornillador delgado de hoja plana
- Llave para tubos
- Pinzas
- Llave ajustable Casquillo y llave de cubo
- Sellador para roscas de tubería certificado para gas LP
- de 6 mm o aprietatuercas de 6 mm

## Piezas necesarias

- Orificios de gas natural (provisto con el asador)

## Piezas suministradas

Regulador de gas natural para una columna de agua de 4" (etiquetado "Natural Gas Regulator" [Regulador de gas natural])

- Manguera para gas natural de 10 pies (3,0 m) con conector rápido
- Manguera reguladora de gas natural de 5,9" (150 mm)
- Aprietatuercas de 6 mm
- Llave de tuercas de 6 mm
- Llave hexagonal en L

# Conversión de gas LP a gas natural

## ⚠ ADVERTENCIA



### Peligro de Explosión

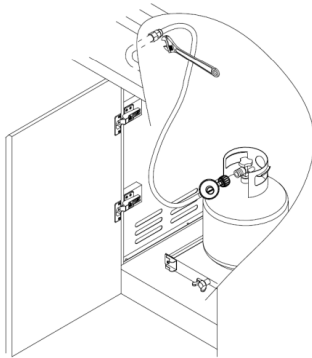
Use una línea de suministro de gas nueva "para exteriores" con aprobación de CSA International.

Apriete firmemente todas las conexiones de gas.

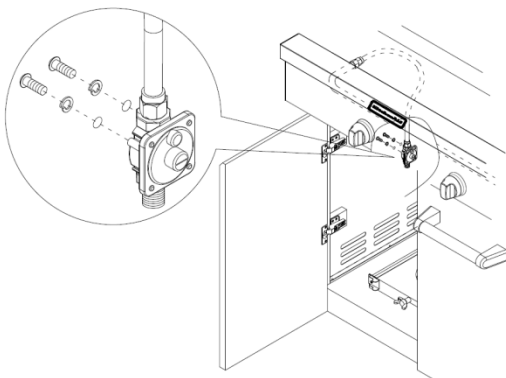
No seguir estas instrucciones puede ocasionar la muerte, explosión o incendio.

### Instalación del regulador

1. Cierre la válvula del suministro principal de gas.
2. Desenchufe el asador o desconecte el suministro de energía.
3. Desconecte el tanque de gas LP de 20 lb (si está presente).
4. Cierre las válvulas de control de todos los quemadores.
5. Quite el tanque de gas LP de 20 lb (si está presente) del carro del asador.
6. Use una llave de tuercas ajustable para quitar el adaptador de gas LP del distribuidor.

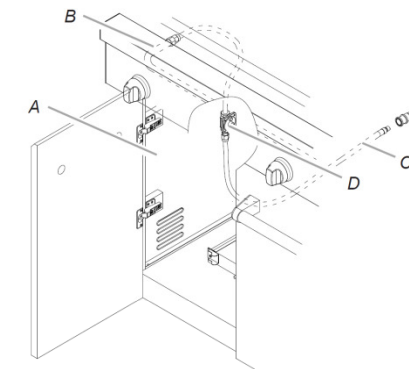


7. Use una llave de tuercas ajustable para instalar la manguera reguladora de gas natural al distribuidor y asegurarla. Sujete el regulador de gas natural al panel lateral, que está dentro del carro del asador, con los dos tornillos que están previamente ensamblados en el regulador.



### Conexión del suministro de gas

1. Se debe usar una combinación de tubos de unión para conectar el asador a la línea de suministro de gas existente.
  - Deberá usarse la manguera flexible de suministro de gas en PVC de 10 pies (3,0 m) con diseño certificado por CSA.
  - Deberán usarse compuestos para unión de tuberías adecuados para ser usados con gas natural. No use cinta Teflon®†.
  - Deberá haber una válvula de cierre manual certificada en la línea de suministro de gas cerca del asador, para un acceso fácil.
2. Conecte el conector de bronce sobre un extremo de la manguera flexible de suministro de gas en PVC de 10 pies (3,0 m), al regulador de presión de gas natural.



A. Panel lateral

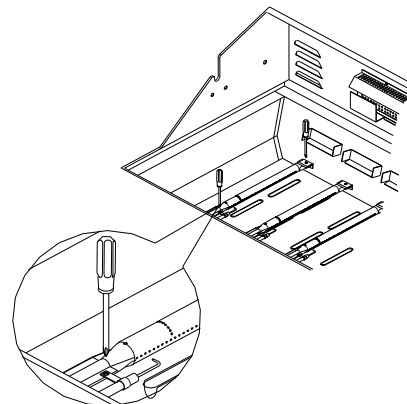
B. Distribuidor

C. Manguera de gas en PVC de 10 pies (3,0 m)

D. Ensamblaje de regulador de presión/  
manguera de gas natural

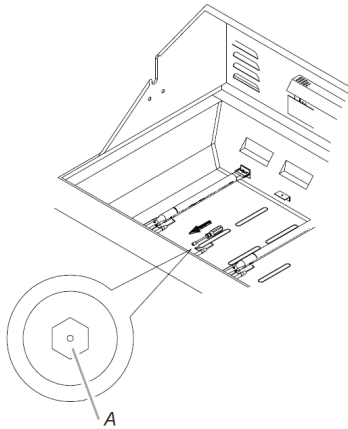
### Cambie los orificios de la válvula del quemador del asador

1. Quite las parrillas y los difusores de llama.
2. Quite los tornillo y clip que sujetan el quemador en su lugar. Ponga los tornillo y clip a un lado. Quite el quemador del asador levantándolo y sacándolo.



†®TEFLON es una marca registrada de E.I. Du Pont De Nemours and Company.

- Use un casquillo y una llave de cubo de 6 mm o un aprietatuercas de 6 mm para quitar el orificio de bronce del extremo de la válvula de gas. El orificio del quemador principal está ubicado detrás del orificio de gas LP, manera que no necesita instalar un orificio adicional.



A. Orificio del quemador principal

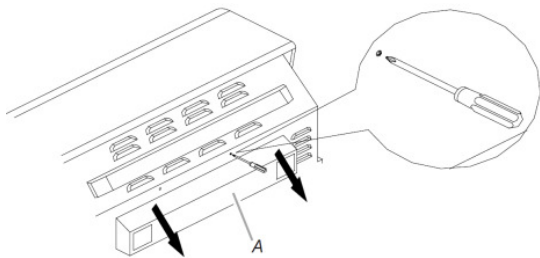
**IMPORTANTE:** Verifique que el orificio esté debidamente instalado dentro de la abertura del quemador.

- Vuelva a insertar el quemador y reajústelo usando los 2 tornillos que quitó previamente. Repita el procedimiento para cada quemador principal.
- Coloque los encendedores de modo que estén a una distancia de  $\frac{1}{4}$ " (6,0 mm) de cada quemador.

**IMPORTANTE:** Sólo mechero principales tienen el orificio de gas natural pre-instalado detrás del orificio LP. Todos los otros quemadores requiere orificio LP que ser eliminado y orificio de gas natural a ser instalada.

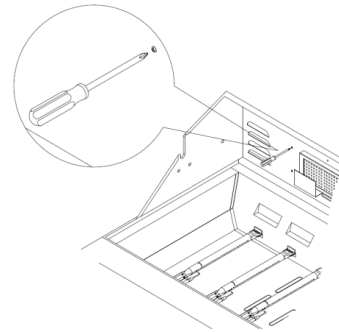
#### Cambie el orificio del quemador del rostizador/infrarrojo

- Desatornille los 1 tornillos con un destornillador Phillips y quite el deflector de viento del quemador del rostizador/infrarrojo.



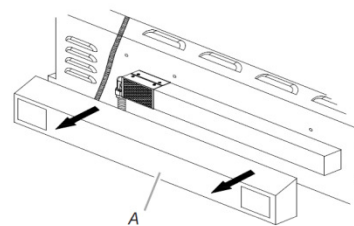
A. infrarrojo

- Quite los tornillos que están en la parte posterior del asador por el lado interior con un destornillador Phillips.



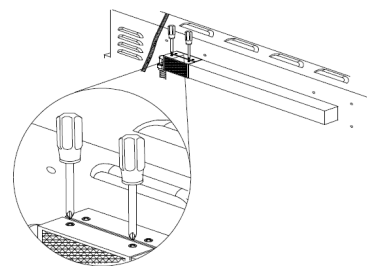
A. Deflector de viento

- Quite la cubierta de acceso en la parte posterior de la campana de la parrilla removiendo los 4 tornillos (2 tornillos en cada lado del mechero del asador).

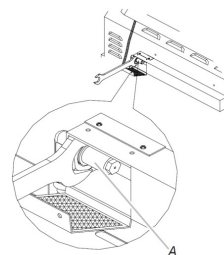


A. Cubierta de acceso

- Quite los tornillo que sostienen el protector contra insectos alquemador usando un destornillador Phillips.

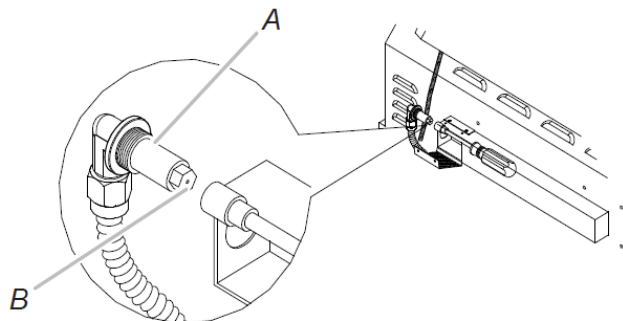


- Use una llave de tuercas de 24 mm para quitar la tuerca del orificio.



A. Tuerca del orificio

6. Quite el soporte del orificio y use una llave de cubo y casquillo de 6 mm o un aprietatuercas de 6 mm para quitar el orificio de gas LP que está en el extremo del tubo de suministro. Reemplácelo con un orificio para gas natural.



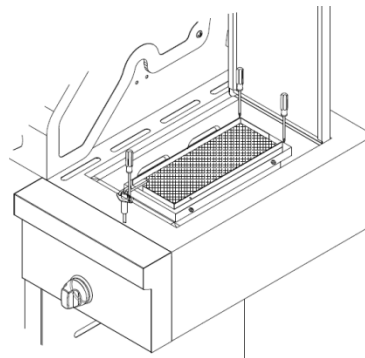
A. Orifice support  
B. Orifice

**IMPORTANTE:** Verifique que el orificio esté debidamente instalado dentro del tubo de suministro.

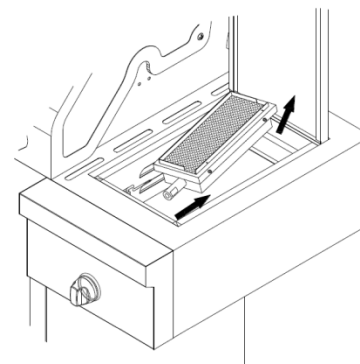
7. Réinstaller le soutien et l'orifice de tuyau d'alimentation et serrer l'écrou avec une clé 24 mm.  
8. Vuelva a instalar el protector contra insectos, la cubierta de acceso y el deflector de viento.

### Cambio de los orificios del quemador para dorado rápido

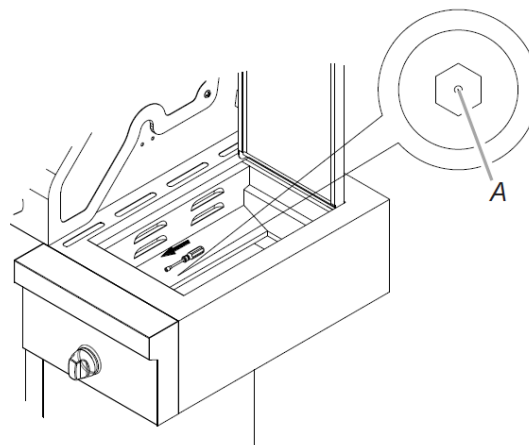
1. Quite el tornillo que asegura el encendedor y los 2 tornillos del quemador lateral para dorado rápido.



2. Levante y quite el quemador lateral para dorado rápido.



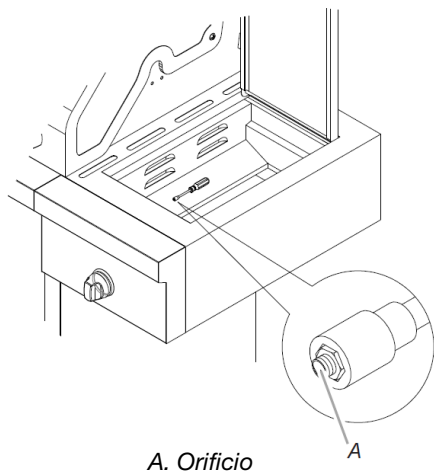
3. Ubique el orificio para gas propano líquido en el extremo de la válvula.



A. Orificio

4. Use una llave de cubo de 6 mm o un aprietatuercas de 6 mm para quitar el orificio. Reemplácelo con el orificio para gas natural.

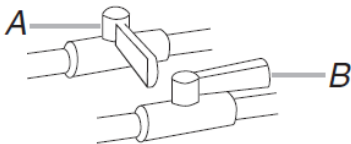




A. Orificio

**IMPORTANTE:** Verifique que el orificio esté debidamente instalado dentro de la válvula.

5. Vuelva a instalar el quemador lateral para dorado rápido. Cerciérese de que el encendedor esté fuera del paso para permitir la ubicación adecuada del quemador.
6. Use un destornillador Phillips para sujetar los tornillos de montaje. Use un destornillador Phillips para volver a sujetar el encendedor y la placa del quemador lateral para dorado rápido.
7. Vuelva a instalar la cubierta del quemador lateral (si se remueve). Use un destornillador Phillips para sujetar los tornillos de montaje.
8. Abra la válvula de cierre manual de la línea de suministro de gas. La válvula está abierta cuando la manija está paralela al tubo de gas.



A. Válvula cerrada  
B. Válvula abierta

9. Pruebe todas las conexiones usando una solución aprobada para detección de fugas que no sea corrosiva. Se observarán burbujas si hay fugas. Tape cualquier fuga que encuentre.

### Registre la conversión

1. La placa de nombre del aparato está ubicada dentro de la carcasa del asador, sobre el lado izquierdo de la misma o en el interior de la puerta de la carcasa. Con un marcador permanente, marque el casillero que está al lado de "Natural gas" (Gas natural) y marque "LP - Propane" (Gas propano LP).

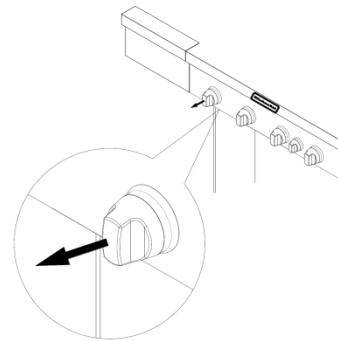
En la última página del Manual de uso y cuidado, escriba "Convertido a gas natural". Escriba también la fecha de la conversión y el técnico/la compañía que la efectuó.

**NOTA:** Coloque las piezas para el gas LP en la bolsa de piezas de plástico para usarlas en el futuro y guárdela con la bolsa con material impreso.

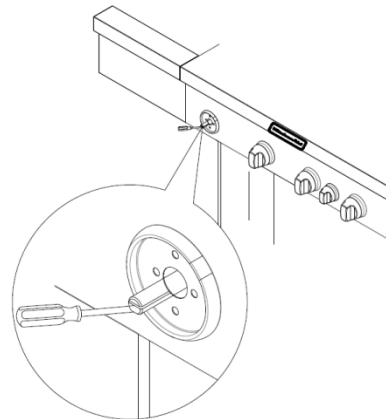
### Cómo regular el tornillo de ajuste de llama alta

Cuando haga la conversión de gas LP a gas natural, necesitará regular el tornillo de ajuste de llama alta para obtener la altura ideal de la llama del quemador.

1. Quite cada perilla de control para los quemadores principales y el quemador lateral.



2. Use un destornillador de hoja plana para girar el tornillo opresor de llama alta hacia la izquierda aproximadamente 90° .



3. Verifique que el quemador funcione en el nuevo ajuste de llama alta. Tal vez sea necesario regular el ajuste del tornillo un poco más para obtener la altura ideal de la llama del quemador.

# Revise y regule los quemadores

Los quemadores han sido probados y fijados de fábrica para que funcionen de la manera más eficaz. Sin embargo, tal vez sea necesario hacer algunos ajustes menores al obturador de aire o en el ajuste de la llama baja, debido a las variaciones en el suministro de gas y otras condiciones. Se recomienda que los ajustes del quemador sean hechos por una persona competente.

**NOTA:** El quemador del rostizador no puede ajustarse. Para revisar las llamas del quemador del asador y ajustarlas, se necesita quitar las parrillas y los difusores de llama.

## Características de la llama del quemador

Las llamas de los quemadores del asador y los quemadores laterales (en algunos modelos) deberán ser de color azul y estables, sin ruido excesivo y sin levantarse (las llamas de gas LP tendrán la punta ligeramente amarilla). Una llama amarilla indica que no hay suficiente aire. Si la llama hace ruido o se separa del quemador, significa que hay demasiado aire. Es aceptable que algunas llamas tengan la punta amarilla cuando el quemador esté en la posición de HIGH (Alto), siempre y cuando no aparezcan depósitos de carbón u hollín. Las llamas deberán tener una altura aproximada de 1" (2,5 cm).

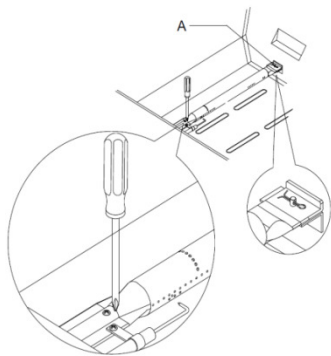


Verifique que los quemadores no estén obstruidos con suciedad, desechos, nidos de insectos, etc., y límpielos si es necesario. Si están limpios, regule los obturadores de aire si es necesario.

**IMPORTANTE:** Antes de regular los obturadores de aire, deje que los quemadores se enfríen por completo.

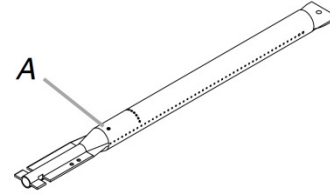
### Para regular los:

1. Encienda el asador siguiendo la información en la sección "Uso del asador para exteriores".
2. Observe la llama para determinar qué quemadores necesitan ajuste y cómo actúa la llama.
3. Apague la válvula y espere hasta que el asador y los quemadores se enfríen por completo.
4. Quite las parrillas y los difusores de calor del asador.
5. Quite los tornillo y clip que sujetan el quemador en su lugar. Quite el quemador a gas del asador.



A. Pasador clip de

6. Si la llama está amarilla (no hay suficiente aire), gire hacia la izquierda el tornillo de ajuste del obturador de aire. Si la llama hace ruido o se separa del quemador (hay demasiado aire), gire hacia la derecha el tornillo de ajuste del obturador de aire.



A. Tornillo de ajuste del obturador de aire

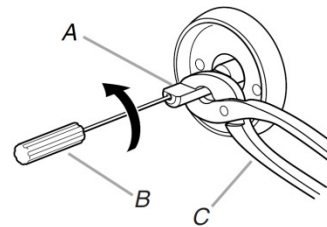
El ajuste deberá hacerse hacia la derecha o hacia la izquierda, de 1/8" (3,2 mm) a 1/4" (6,4 mm).

7. Vuelva a colocar el quemador de gas, los difusores de llama y las parrillas.
8. Encienda el asador siguiendo la información en la sección "Uso del asador para exteriores". Vea "Características de la llama del quemador".

## Ajuste de la llama baja

Si la llama se apaga en el ajuste de llama "LOW" (Bajo), deberá regularse el ajuste de la llama baja.

1. Cierre la válvula y espere hasta que el asador y los quemadores estén fríos.
2. Quite las parrillas y los difusores de calor del asador.
3. Encienda el asador siguiendo la información en la sección "Uso del asador para exteriores".
4. Gire el quemador a su ajuste más bajo.
5. Jale hacia fuera cada perilla de control para el quemador principal y el quemador lateral.
6. Sostenga el vástago de la válvula con pinzas e inserte un destornillador pequeño de hoja plana dentro del eje.
7. Mire la llama y gire el destornillador lentamente hacia la izquierda.
8. Regule la llama hasta obtener la llama estable mínima.



A. Vástago de la válvula  
B. Destornillador pequeño de hoja plana  
C. Pinzas

9. Vuelva a colocar la perilla de control y apague el quemador.
10. Repita los pasos 3 al 9 para cada quemador, si es necesario.
11. Vuelva a colocar los difusores de llama y las parrillas después de que se hayan enfriado los quemadores.

---

# Garantía Limitada

Nexgrill garantiza solamente al consumidor-comprador original de este producto (Modelo N° 710-0003) que el mismo estará libre de defectos en los materiales y la mano de obra después del ensamblaje correcto y bajo uso normal y razonable en el hogar, durante los períodos indicados a continuación, a partir de la fecha de compra. El fabricante se reserva el derecho de exigir evidencia fotográfica del daño o la devolución de las piezas defectuosas con los gastos por envío y/o flete prepagados por el consumidor, para su revisión y examen.

**Todas las piezas:** Garantía LIMITADA de 1 año

Una vez que el consumidor provea la prueba de compra como se indica en la presente, el Fabricante reparará o reemplazará las piezas que hayan probado ser defectuosas durante el período cubierto por la garantía. Las piezas necesarias para completar la reparación o el reemplazo se proveerán gratuitamente, excepto por los costos de envío, siempre y cuando el comprador esté dentro del período de la garantía a partir de la fecha de compra original. El comprador-consumidor original será responsable por todos los cargos por envío de las piezas reemplazadas bajo los términos de esta garantía limitada. Esta garantía limitada es aplicable solamente en los Estados Unidos, está disponible solamente para el dueño original del producto y no es transferible. El fabricante requiere una prueba razonable de la fecha de compra. Por lo tanto, usted deberá conservar su recibo de compra y/o la factura. Si la unidad fue recibida como regalo, solicite a la persona que le hizo el regalo que envíe el recibo en su nombre a la dirección que aparece debajo. Las piezas defectuosas o faltantes que estén cubiertas por esta garantía limitada no serán reemplazadas sin el registro o la prueba de compra. Esta garantía limitada se aplica SOLAMENTE a la funcionalidad del producto y no cubre problemas estéticos tales como rayones, abolladuras, corrosión o decoloración ocasionada por el calor, los limpiadores abrasivos y químicos o cualquier herramienta usada en el ensamblaje o la instalación del aparato, óxido de la superficie o decoloración de las superficies de acero inoxidable. El óxido, la corrosión o las desportilladuras de la pintura en polvo de la superficie en las piezas de metal que no afecten la integridad estructural del producto no se considera un defecto en la mano de obra ni en los materiales, y por lo tanto no están cubiertos bajo esta garantía. Bajo esta garantía limitada, usted no recibirá un reembolso por el costo de cualquier inconveniencia, alimento, herida personal o daño a la propiedad. Si no existe una pieza original de repuesto, se le enviará una pieza de repuesto equivalente. Usted será responsable por todos los cargos por envío de las piezas reemplazadas bajo los términos de esta garantía limitada.

## EL FABRICANTE NO PAGARÁ POR LOS SIGUIENTES ARTÍCULOS:

- Visitas de servicio a su hogar.
- Reparaciones cuando su producto se use de un modo diferente al doméstico o residencial normal de una familia.
- Daños causados por accidente, alteración, uso indebido, falta de mantenimiento/limpieza, abuso, incendio, inundación, actos fortuitos, instalación incorrecta, instalación que no esté de acuerdo con los códigos eléctricos o de plomería, o el empleo de productos no aprobados por el fabricante.
- Cualquier pérdida de comida debida a la falla del producto.
- Costos de piezas de repuesto o gastos de reparación para unidades que se empleen fuera de los Estados Unidos o Canadá.
- Recogida y entrega de su producto.
- Cargos por envío o cargos por procesamiento de fotos enviadas como documentación.
- Reparaciones de piezas o sistemas como resultado de modificaciones no autorizadas que se hayan efectuado en el producto.
- La remoción y/o reinstalación del producto.
- Costos por transporte, común o acelerado, para las piezas de repuesto bajo garantía o sin garantía.

## EXCLUSIÓN DE GARANTÍAS IMPLÍCITAS: LIMITACIÓN DE RECURSOS

*La reparación o el reemplazo de las piezas defectuosas será su único recurso bajo los términos de esta garantía limitada. El fabricante no será responsable por cualquier daño consecuente o incidental que surja del incumplimiento de esta garantía limitada o de cualquier garantía implícita que sea aplicable, ni por la falla o daños ocasionados por actos fortuitos, el cuidado y mantenimiento inadecuados, incendios ocasionados por grasa, accidentes, alteraciones, el reemplazo de piezas por parte de alguien que no sea el Fabricante, uso indebido, transporte, uso comercial, abuso, medioambientes hostiles (inclemencias del tiempo, catástrofes naturales, manipulación por parte de animales), instalación incorrecta o instalación que no esté de acuerdo con los códigos locales o las instrucciones impresas por el fabricante.*

ESTA GARANTÍA LIMITADA SERÁ LA ÚNICA GARANTÍA EXPRESA OTORGADA POR EL FABRICANTE. NO EXISTIRÁ NINGUNA OTRA GARANTÍA POR PARTE DEL FABRICANTE CON RESPECTO AL DESEMPEÑO SEGÚN LA ESPECIFICACIÓN O LA DESCRIPCIÓN DEL PRODUCTO. EN DONDE SEA QUE APAREZCA, EXCEPTO EN LA MEDIDA EN QUE SE HA INDICADO EN ESTA GARANTÍA LIMITADA. TODA PROTECCIÓN POR GARANTÍAS IMPLÍCITAS QUE SURJA BAJO LAS LEYES DE CUALQUIER ESTADO, INCLUIDAS LAS GARANTÍAS IMPLÍCITAS DE COMERCIABILIDAD O DE CAPACIDAD PARA UN PROPÓSITO O USO EN PARTICULAR, ESTARÁ LIMITADA EN SU DURACIÓN A LA DURACIÓN DE ESTA GARANTÍA LIMITADA.

Ni los distribuidores, ni el establecimiento minorista que venda este producto, tendrán ninguna autoridad para hacer garantías adicionales o para prometer recursos adicionales a los establecidos anteriormente o en contra de los mismos. En todo caso, la máxima responsabilidad del fabricante no excederá del precio documentado por la compra del producto pagado por el consumidor original. Esta garantía se aplica solamente para las unidades compradas a un minorista o revendedor autorizado.

**NOTA:** Algunos estados no permiten la exclusión o limitación de daños incidentales o consecuentes, de modo que las limitaciones o exclusiones indicadas anteriormente pueden no aplicarse en su caso; esta garantía limitada le otorga derechos legales específicos según se indica en la presente. Es posible que usted tenga también otros derechos que varían de un estado a otro.

Si usted desea llevar a cabo una acción por cualquier obligación bajo esta garantía limitada, deberá escribir a:

**Nexgrill Customer Relations  
5270 Edison Avenue.,  
Chino, CA 91710**

*Toda la información relativa a devoluciones, pedidos de piezas, preguntas generales y asistencia con problemas • de funcionamiento por parte del consumidor, podrá obtenerse llamando al 1-877-373-2301..*

# Instructions de sécurité

## Votre sécurité et celle des autres est très importante.

Nous donnons de nombreux messages de sécurité importants dans ce manuel et sur votre appareil ménager. Assurez-vous de toujours lire tous les messages de sécurité et de vous y conformer.



Voici le symbole d'alerte de sécurité.

Ce symbole d'alerte de sécurité vous signale les dangers potentiels de décès et de blessures graves à vous et à d'autres.

Tous les messages de sécurité suivront le symbole d'alerte de sécurité et le mot "DANGER" ou "AVERTISSEMENT". Ces mots signifient :

**⚠ DANGER**

Risque possible de décès ou de blessure grave si vous ne suivez pas immédiatement les instructions.

**⚠ AVERTISSEMENT**

Risque possible de décès ou de blessure grave si vous ne suivez pas les instructions.

Tous les messages de sécurité vous diront quel est le danger potentiel et vous disent comment réduire le risque de blessure et ce qui peut se produire en cas de non-respect des instructions.

### **⚠ DANGER**

En cas de détection d'une odeur de gaz :

1. Fermer l'arrivée de gaz de l'appareil.
2. Éteindre toute flamme nue.
3. Ouvrir le couvercle.
4. Si l'odeur persiste, s'éloigner de l'appareil et appeler immédiatement le fournisseur en gaz ou les pompiers.

### **⚠ AVERTISSEMENT**

1. Ne pas remiser ou utiliser de l'essence ou tout autre liquide ou vapeur inflammable à proximité de cet appareil ou de tout autre appareil.
2. Ne pas remiser une bouteille de gaz de pétrole liquéfié non raccordée à proximité de cet appareil ou de tout autre appareil.

Dans l'État du Massachusetts, les instructions d'installation suivantes sont applicables :

- Les travaux d'installation et réparation doivent être exécutés par un plombier ou tuyauteur qualifié ou licencié, ou par le personnel qualifié d'une entreprise licenciée par l'État du Massachusetts.
- Si une vanne à boisseau sphérique est utilisée, elle doit comporter une manette "T".
- Si un conduit de raccordement flexible est utilisé, sa longueur ne doit pas dépasser 3 pi.

## **IMPORTANTES INSTRUCTIONS DE SÉCURITÉ**

**AVERTISSEMENT :** Pour réduire le risque d'incendie, de choc électrique, de blessures corporelles ou de dommages lors de l'utilisation de l'appareil de cuisson à gaz d'extérieur, il convient d'observer certaines précautions fondamentales, notamment:

- Le processus de conversion pour le changement de gaz doit être exécuté par un installateur qualifié.
- Le raccord est destiné uniquement à l'utilisation à l'extérieur avec un appareil transportable que l'on peut déplacer jusqu'à l'emplacement de service désiré.
- Le raccord est conçu pour qu'il permette le mouvement après l'installation, mais on ne doit pas le soumettre à une déformation (écrasement, torsion, vrillage, etc.). Soumettre périodiquement le raccord à une inspection visuelle pour vérifier qu'il est toujours en bon état de service.
- Éviter tout contact avec une substance ou un objet étranger susceptible d'endommager le produit.
- Les caractéristiques du connecteur (longueur et débit) doivent être adéquates pour l'application envisagée. Après l'achèvement de l'assemblage, effectuer un test de recherche des fuites.

**Mise en garde :** Pour le test de recherche des fuites, utiliser uniquement une solution conçue à cet effet. Rincer avec de l'eau propre après le test de recherche des fuites, pour éliminer tout résidu corrosif.

POUR UN TEST DE RECHERCHE DES FUITES, NE PAS UTILISER UNE FLAMME.

**CONSERVEZ CES INSTRUCTIONS**

---

# Outils et pièces pour conversion de gaz

**Remarque :** Ce manuel couvre plusieurs modèles différents. Le gril spécifique acheté peut ne pas comporter toutes les caractéristiques illustrées dans le manuel. L'emplacement et l'apparence de certains composants ou caractéristiques peuvent être différents. Pour des instructions spécifiques, consulter le manuel du gril ou contacter le département de service-client à 1-877-373-2301.

## **IMPORTANT:**

Les conversions de gaz doivent être exécutées par un installateur qualifié. Avant d'entreprendre la conversion, fermer l'arrivée de gaz à l'appareil avant de déconnecter la source de courant électrique.

Advenant qu'une pièce soit manquante ou endommagée lors de l'ouverture du colis, téléphoner à 1-877-373-2301. **NE PAS DEMANDER À UN TECHNICIEN QUALIFIÉ (GAZ)** d'installer cet ensemble avant d'avoir reçu une pièce de remplacement pour chaque pièce manquante ou endommagée.

Rassembler les outils et pièces nécessaires avant d'entreprendre l'installation. Lire et observer les instructions fournies avec chacun des outils de la liste ci-dessous.

## **Outils nécessaires**

- Tournevis Phillips
- Clé à tuyauterie
- Clé à molette
- Clé à douille de 6 mm ou tourne-écrou de 6 mm
- Petit tournevis à lame plate
- Pince
- Produit d'étanchéité des jointures homologué pour le gaz propane

## **Pièces fournies**

- Ensemble de conversion pour gaz naturel – pièce numéro 710-0003.
- Gicleurs de gaz naturel (fourni avec le gril).

## **Piezas suministradas:**

- Détendeur pour gaz naturel 4" – colonne d'eau (avec indication "Natural Gas Regulator" [Détendeur pour gaz naturel])
- 10 pi (3,0 m) Tuyau pour gaz naturel avec raccord à branchement rapide
- Tuyau du détendeur pour gaz naturel de 5,9" (150 mm)
- Tourne-écrou de 6 mm
- Clé de 6 mm
- Clé à tête hexagonale

# Conversion de propane à gaz naturel

## ⚠ AVERTISSEMENT



### Risque d'explosion

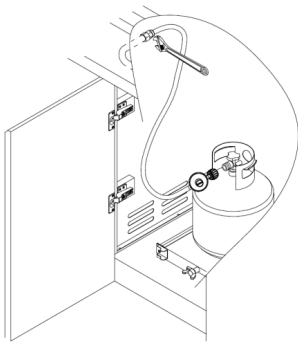
Utiliser une canalisation neuve d'arrivée de gaz pour utilisation à l'extérieur approuvée par la CSA International.

Bien serrer chaque organe de connexion de la canalisation de gaz.

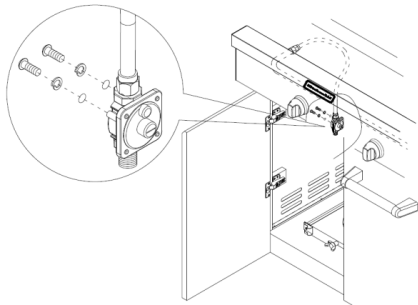
Le non-respect de ces instructions peut causer un décès, une explosion ou un incendie.

### Installation du détendeur

1. Fermer le robinet d'arrêt de la canalisation de gaz.
2. Débrancher le grill ou déconnecter la source de courant électrique.
3. Débrancher la bouteille de gaz propane de 20 lb (le cas échéant).
4. Fermer les robinets de commande de tous les brûleurs.
5. Retirer la bouteille de gaz propane de 20 lb (le cas échéant) du chariot du grill.
6. Utiliser une clé à molette pour retirer le raccord du détendeur pour gaz propane de la tubulure de distribution.

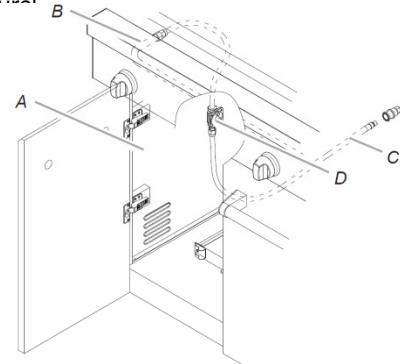


7. Utiliser une clé à molette pour installer le détendeur pour gaz naturel sur la tubulure de distribution et fixer. Fixer le détendeur pour gaz naturel au panneau latéral à l'intérieur du chariot du grill à l'aide des deux vis préassemblées sur le détendeur.



### Raccordement au gaz

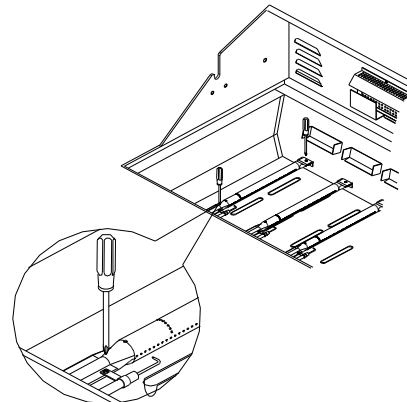
1. On doit employer une combinaison de raccords pour raccorder le grill à la canalisation de gaz existante.
  - On doit utiliser le tuyau d'alimentation en gaz flexible en PVC homologué CSA de 10 pi (3 m).
  - Pour l'étanchéité des jointures, utiliser un composé d'étanchéité pour tuyauterie compatible avec le gaz naturel. Ne pas utiliser de ruban adhésif Teflon®†.
  - La canalisation d'alimentation en gaz doit comporter un robinet d'arrêt manuel (homologué) facilement accessible à proximité du grill.
2. Connecter le raccord en laiton à une extrémité du tuyau d'alimentation de gaz flexible en PVC de 10 pi (3 m) au détendeur pour gaz naturel.
3. Connecter le raccord à branchement rapide à l'autre extrémité du tuyau d'alimentation de gaz flexible en PVC de 10 pi (3,0 m) à la canalisation d'alimentation rigide pour gaz naturel.



- A. Panneau de gauche
- B. Tubulure de distribution
- C. Tuyau à gaz en PVC de 10 pi. (3,0 m)
- D. Ensemble détendeur/tuyau pour gaz naturel

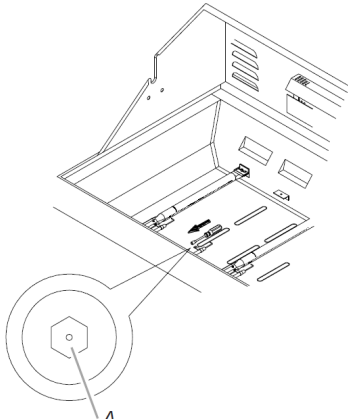
### Remplacement des gicleurs de brûleur du grill

1. Ôter les grilles du grill et les régulateurs de flamme.
2. Enlever les vis et agrafe qui maintiennent le brûleur en place. Mettre es vis et agrafe de côté. Retirer le brûleur du grill soulevant le brûleur



†®TEFLON est une marque déposée de E.I. Du Pont De Nemours et Compagnie.

3. Démontez le gicleur en laiton de l'extrémité du robinet de gaz à l'aide d'une clé à douille de 6 mm ou d'un tourne-écrou de 6 mm. Le gicleur de brûleur principal se trouve derrière le gicleur pour gaz propane – aucun gicleur supplémentaire ne doit donc être installé.



A. Gicleur de brûleur principal

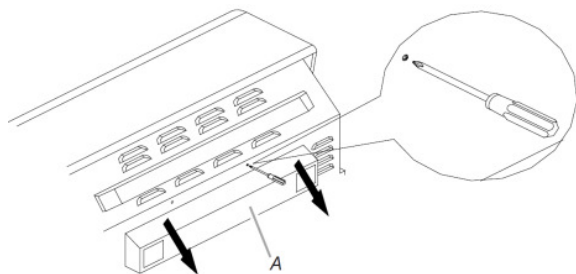
**IMPORTANT:** Vérifier que le gicleur est correctement installé dans l'ouverture du brûleur.

4. Réinsérer le brûleur et le fixer à nouveau à l'aide des 2 vis précédemment retirées. Répéter ce processus pour chaque brûleur principal.
5. Positionner les allumeurs de façon à ce qu'ils se trouvent à 1/4" (6 mm) de chaque brûleur.

**IMPORTANT:** Seuls les brûleurs principaux ont l'orifice NG pré-installé derrière l'orifice LP. Tous les autres brûleurs nécessitent l'orifice de LP d'être retiré et l'orifice NG à être installé.

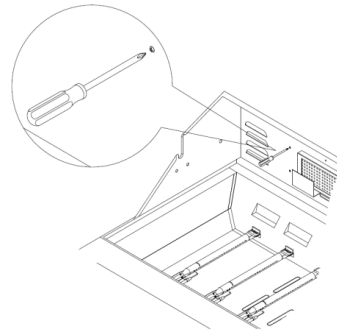
#### Remplacement du gicleur de brûleur de tournebroche/infrarouge

1. À l'aide d'un tournevis Phillips, dévissez les 2 vis et retirez le capot coupe-vent du brûleur de tournebroche/infrarouge.

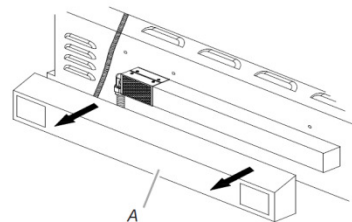


A. tournebroche/infrarouge.

2. À l'aide d'un tournevis Phillips, retirez les 6 vis à l'arrière du grill à partir de l'intérieur du grill.

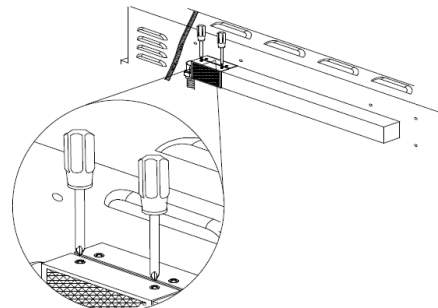


3. Retirez le couvercle d'accès à l'arrière du couvercle du grill en retirant les 4 vis (2 vis de chaque côté du brûleur infrarouge du tournebroche).

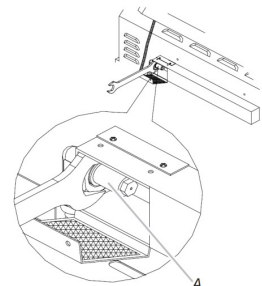


A. Couvercle d'accès

4. À l'aide d'un tournevis Phillips, retirez les 2 vis fixant la grille de protection au brûleur.



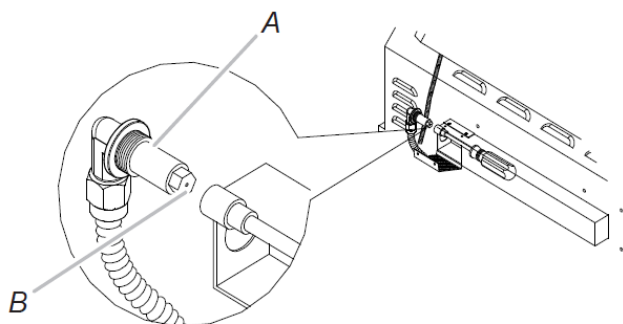
5. Utilisez une clé à douille de 24 mm pour démonter l'écrou pour gicleur.



A. Écrou pour gicleur



6. Retirer le support du gicleur puis utiliser une clé à douille ou un tourne-écrou de 6 mm pour retirer le gicleur de propane à l'extrémité du tuyau d'alimentation. Réinstaller le gicleur pour gaz naturel.



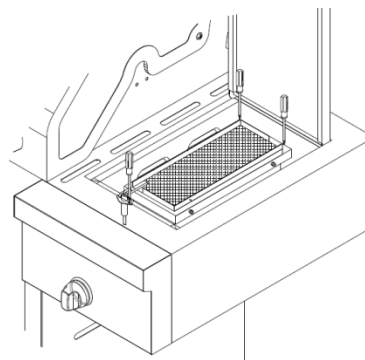
A. Support de gicleur  
B. Gicleur

**IMPORTANT:** Vérifier que le gicleur est correctement installé dans la canalisation d'alimentation.

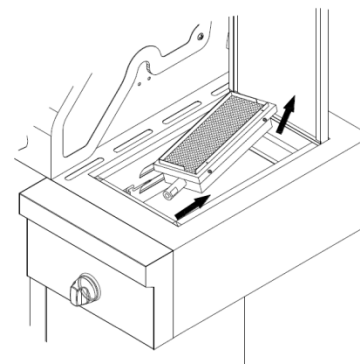
7. Réinstaller le soutien et l'orifice de tuyau d'alimentation et serrer l'écrou avec une clé 24 mm.  
8. Réinstaller la grille de protection, le couvercle d'accès et le capot coupe-vent.

### Remplacement des gicleurs du brûleur à rôtissage

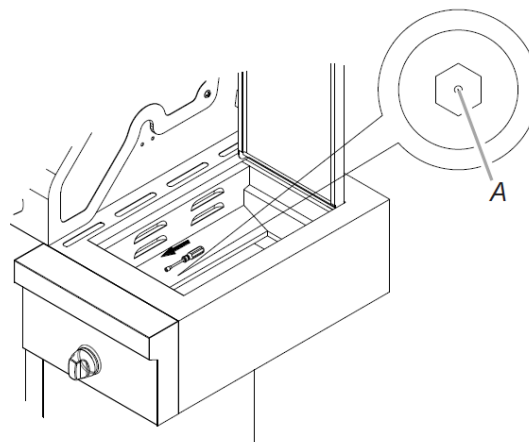
1. Retirer la vis fixant l'allumeur et les 2 vis du brûleur à rôtissage latéral.



2. Soulever le brûleur à rôtissage latéral pour l'extraire.

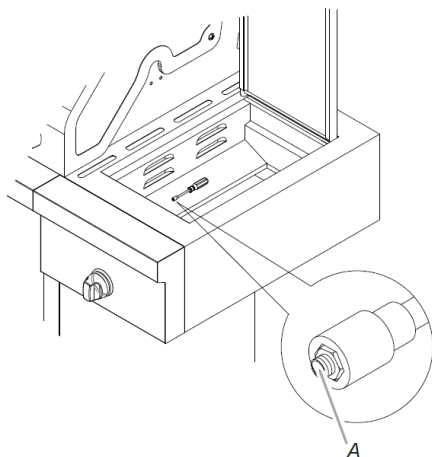


3. Repérer le gicleur pour gaz propane situé à l'extrémité du robinet.



A. Gicleur

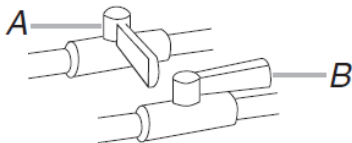
4. Démontez le gicleur à l'aide d'une clé à douille ou d'un tourne-écrou de 6 mm. Remplacer par le gicleur pour gaz naturel.



A. Gicleur

**IMPORTANT:** Vérifier que le gicleur est correctement installé dans la valve.

5. Réinstaller le brûleur à rôtissage latéral. Veiller à éloigner suffisamment l'allumeur pour pouvoir placer correctement le brûleur. Visser les vis de montage (tournevis Phillips).
6. Réinstaller l'allumeur et la plaque du brûleur à rôtissage atéral à l'aide d'un tournevis Phillips.
7. Réinstaller le couvercle du brûleur latéral (si elle est expulsée). Visser les vis de montage (tournevis Phipllips)!
8. Ouvrir le robinet d'arrêt manuel sur la canalisation d'alimentation en gaz. Le robinet est ouvert lorsque la poignée est parallèle au conduit d'alimentation en gaz.



A. Robinet fermé  
B. Robinet ouvert

9. Effectuer une recherche des fuites sur chaque raccord à l'aide d'une solution homologuée de détection des fuites, non corrosive. L'apparition de bulles indique la présence d'une fuite. Réparer toute fuite éventuelle.

### Enregistrer la conversion

1. La plaque signalétique de l'appareil se trouve à l'intérieur de la caisse du grill ou l'intérieur de la porte de la caisse de l'appareil. sur le côté gauche. À l'aide d'un marqueur à encre permanente, cocher la case de texte à côté de "Natural gas" (gaz naturel) et rayer "LP - Propane".

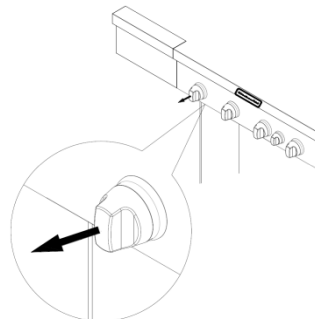
À la dernière page du Guide d'utilisation et d'entretien, inscrire "Appareil converti pour alimentation au gaz naturel". Enregistrer également la date de la conversion, le nom du technicien/de la compagnie qui a exécuté la conversion.

**REMARQUE :** Placer les pièces de brûleurs pour gaz propane dans le sachet de pièces en plastique et conserver celui-ci avec les documents fournis avec l'appareil, afin de pouvoir les réutiliser ultérieurement.

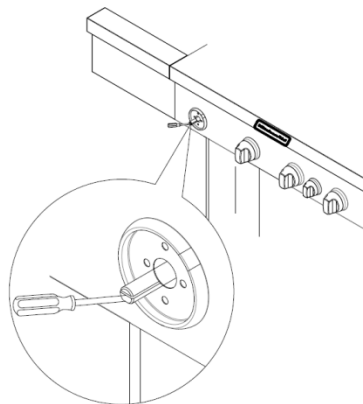
### Ajustement de la vis de réglage de flamme haute

Lors de la conversion du propane au gaz naturel, il faut ajuster la vis de réglage de flamme haute pour obtenir la hauteur idéale de flamme de brûleur.

1. Retirer chaque bouton de commande des brûleurs principaux et du brûleur latéral.



2. Utiliser un tournevis à lame plate pour tourner la vis de réglage de flamme haute dans le sens antihoraire d'environ 90° .



3. Vérifier que le brûleur fonctionne au nouveau réglage de flamme haute. Il sera peut-être nécessaire d'ajuster légèrement le réglage de la vis pour obtenir la hauteur de flamme de brûleur idéale.

# Contrôle et réglage des brûleurs

Les brûleurs ont été testés et réglés à l'usine pour un fonctionnement optimal. Cependant de légères modifications du réglage de l'admission d'air et du débit thermique minimum peuvent être nécessaires du fait de variations de la pression de distribution du gaz disponible et d'autres conditions.

On recommande que tout réglage des brûleurs soit exécuté par une personne qualifiée.

**REMARQUE :** Il n'est pas possible de modifier le réglage du brûleur du tournebroche.

Pour contrôler et régler les flammes sur les brûleurs du gril, on doit enlever la grille et les régulateurs de flamme.

## Caractéristiques des flammes de brûleurs

Les flammes sur les brûleurs du gril et sur les brûleurs latéraux (sur certains modèles) devraient présenter une teinte bleue et une forme stable, sans bruit excessif ni séparation entre flamme et brûleur (les flammes produites par le propane comportent une pointe légèrement jaune). Une teinte jaune des flammes indique une déficience d'air. Si la combustion est bruyante ou si les flammes se séparent du brûleur, il y a un excès d'air. La présence modérée d'une teinte jaune à l'extrémité des flammes lorsque le brûleur est utilisé au débit thermique maximum est acceptable dans la mesure où il n'y a pas de formation de dépôt de carbone ou de suie. La hauteur des flammes doit être d'environ 1" (2,5 cm).

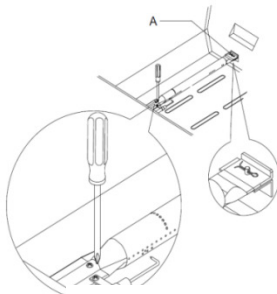


Vérifier que les brûleurs ne sont pas obstrués par de la poussière, des débris, nids d'insectes, etc.; nettoyer au besoin. Si les brûleurs sont propres, ajuster l'admission d'air au besoin.

**IMPORTANT:** Avant de régler l'admission d'air sur un brûleur, laisser le brûleur refroidir complètement.

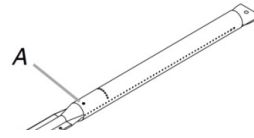
## **Processus de réglage :**

1. Allumer le gril à l'aide des informations de la section "Utilisation du gril d'extérieur".
2. Observer les flammes pour déterminer si le brûleur nécessite un réglage et pour noter la forme des flammes.
3. Fermer le robinet et laisser le gril et les brûleurs refroidir complètement.
4. Ôter les grilles du gril et les régulateurs de flamme.
5. Enlever les vis et agrafe qui maintiennent le brûleur en place. Ôter le brûleur à gaz du gril.



A. Pince

6. Si les flammes présentent une teinte jaune (pénurie d'air), faire tourner la vis de réglage de l'admission d'air dans le sens antihoraire. Si la combustion est bruyante ou si les flammes se séparent du brûleur (excès d'air), tourner la vis de réglage de l'admission d'air dans le sens horaire.



A. Vis de réglage de l'admission d'air

A. Air shutter adjustment screw

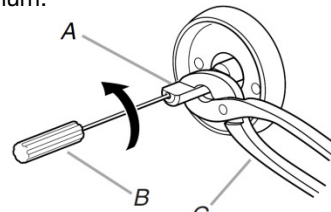
Lors des réglages, dans un sens ou dans l'autre, modifier la taille de l'orifice d'admission d'air de 1/8" (3,2 mm) à 1/4" (6,4 mm).

7. Réinstaller le brûleur, les régulateurs de flamme et les grilles.
8. Allumer le gril à l'aide des informations de la section "Utilisation du gril d'extérieur". Voir "Caractéristiques des flammes de brûleurs".

## Réglage pour le débit thermique minimum

Si le brûleur s'éteint lorsqu'il est réglé pour le débit thermique minimum (position LOW), on doit effectuer un réglage particulier.

1. Fermer le robinet et laisser le gril et les brûleurs refroidir complètement.
2. Ôter les grilles du gril et les régulateurs de flamme.
3. Allumer le gril à l'aide des informations de la section "Utilisation du gril d'extérieur".
4. Tourner le brûleur au réglage le plus bas.
5. Retirer chaque bouton de commande du brûleur principal et du brûleur latéral.
6. Immobiliser la tige de réglage du robinet avec une pince et insérer un petit tournevis à lame plate dans l'axe.
7. Observer les flammes et faire tourner doucement le tournevis dans le sens antihoraire.
8. Régler pour obtenir des flammes stables de taille minimum.



A. Tige de réglage

B. Petit tournevis à lame plate

C. Pince

9. Réinstaller le bouton de commande et éteindre le brûleur.
10. Répéter les étapes 3 à 9 pour chaque brûleur au besoin.
11. Après le refroidissement des brûleurs, réinstaller les régulateurs de flamme et les grilles.

---

# Garantie Limitée

Nexgrill garantit uniquement au consommateur-acquéreur que ce produit (modèle n° 710-0003) sera exempt de tout défaut de fabrication et de matériau après un assemblage correct et dans des conditions d'utilisation domestique normales et raisonnables pour les périodes indiquées ci-dessous, à compter de la date d'achat. Le fabricant se réserve le droit d'exiger des preuves photographiques des dommages, ou que les pièces défectueuses soient renvoyées tout port payé par le consommateur, pour examen.

## Toutes les pièces : Garantie LIMITÉE

Sur présentation d'une preuve d'achat (fournie avec la présente) par le consommateur, le fabricant réparera ou remplacera les pièces qui se sont avérées défectueuses, durant la période de garantie applicable. Le coût des pièces nécessaires à l'exécution de ladite réparation ou dudit remplacement sera pris en charge par nos soins, hormis les frais d'expédition, dans la mesure où l'acheteur reste dans la période de garantie commençant à partir de la date d'achat d'origine. Tous frais d'expédition des pièces remplacées en vertu des conditions de la présente garantie limitée seront à la charge du consommateur-acquéreur initial. Cette garantie limitée s'applique uniquement aux États-Unis, ne peut être utilisée que par le propriétaire d'origine du produit et n'est pas cessible. Le fabricant exige une preuve d'achat valable. En conséquence, vous devez conserver votre reçu de vente et (ou) votre facture. Si l'appareil a été offert en cadeau, veuillez demander à la personne l'ayant offert d'expédier le reçu en votre nom, à l'adresse ci-dessous. Aucune pièce défectueuse ou manquante soumise à cette garantie limitée ne sera remplacée sans enregistrement ou preuve d'achat. Cette garantie limitée s'applique UNIQUEMENT à la fonctionnalité de ce produit et ne couvre aucun problème esthétique tel les éraflures, indentations, corrosions ou décolorations liées à la chaleur, à l'emploi de nettoyeurs abrasifs et chimiques ou de tout outil utilisé pour l'assemblage ou l'installation du produit, l'apparition de rouille sur la surface, ou la décoloration des surfaces en acier inoxydable. Dans la mesure où ils n'affectent pas l'intégrité structurale du produit, la présence de rouille ou de corrosion sur la surface, ou l'écaillage de la peinture en poudre sur les pièces métalliques ne sont pas considérés comme des défauts de fabrication ou de matériau et ne sont pas couverts par cette garantie. Cette garantie limitée ne vous remboursera pas les frais liés à tout préjudice physique ou moral, dommages alimentaires ou matériel quelconques. Si une pièce de rechange d'origine n'est pas disponible, une pièce de rechange comparable vous sera expédiée. Tous frais d'expédition des pièces remplacées en vertu des stipulations de cette garantie limitée seront à votre charge.

### LE FABRICANT NE PRENDRA PAS EN CHARGE :

- Les visites de service à votre domicile.
- Les réparations lorsque le produit est utilisé à des fins autres que l'usage unifamilial normal ou en résidence.
- Les dommages imputables à : accident, modification, usage impropre ou abusif, manque d'entretien/nettoyage insuffisant, incendie, inondation, actes de Dieu, installation fautive ou installation non conforme aux codes d'électricité ou de plomberie ou utilisation de produits non approuvés par le fabricant.
- Toute perte alimentaire en raison d'une défaillance du produit.
- Le coût des pièces de rechange et de la main-d'oeuvre de réparation pour les appareils utilisés hors des États-Unis ou du Canada.
- L'enlèvement et la livraison du produit.
- Les frais d'affranchissement ou de développement de photos liés aux photos envoyées comme documentation.
- Les réparations effectuées sur les pièces ou systèmes résultant d'une modification non autorisée apportée au produit.
- L'enlèvement et (ou) la réinstallation du produit.
- Les frais d'expédition, en envoi standard ou express, pour les éléments couverts ou non par la garantie et pour les pièces de rechange.

### CLAUSE D'EXONÉRATION DE RESPONSABILITÉ AU TITRE DES GARANTIES IMPLICITES: LIMITATION DES RECOURS

*La réparation ou le remplacement des pièces défectueuses constitue l'unique recours* du propriétaire en vertu des conditions de la présente garantie limitée. Le fabricant n'assume aucune responsabilité pour tout dommage fortuit ou indirect entraîné par la violation de la présente garantie limitée ou de toute garantie implicite applicable, ou pour toute défectuosité ou dommage entraîné(e) par des actes de Dieu, un mauvais entretien, un feu de graisse, un accident, une modification, le remplacement de pièces par toute autre personne que le fabricant, une mauvaise utilisation, le transport, une utilisation commerciale, un usage abusif, des conditions environnementales détritantes (intempéries, phénomènes naturels, altération causée par des animaux), une installation incorrecte ou non conforme aux codes locaux ou aux instructions fournies par le fabricant.

LA PRÉSENTE GARANTIE LIMITÉE CONSTITUE L'UNIQUE GARANTIE EXPRESSE FOURNIE PAR LE FABRICANT. QUEL QUE CE SOIT L'ENDROIT OÙ ELLE APPARAÎT, AUCUNE SPÉCIFICATION OU DESCRIPTION DE PERFORMANCE DU PRODUIT N'EST GARANTIE PAR LE FABRICANT, HORMIS DANS LA MESURE ÉTABLIE PAR LA PRÉSENTE GARANTIE LIMITÉE. TOUTE PROTECTION CONTRE UNE GARANTIE IMPLICITE EXISTANT EN VERTU DES LOIS D'UN ÉTAT, Y COMPRIS LES GARANTIES IMPLICITES DE QUALITÉ MARCHANDE OU D'APTITUDE À UN USAGE PARTICULIER EST LIMITÉE DANS SA DURÉE PAR LA PRÉSENTE À LA DURÉE DE VALIDITÉ DE CETTE GARANTIE LIMITÉE.

Ni les marchands, ni l'établissement de vente au détail de ce produit n'ont l'autorisation d'établir des garanties supplémentaires ou de promettre des recours venant en complément ou allant à l'encontre des garanties énoncées ci-dessus. Quelles que soient les circonstances, la responsabilité maximale du fabricant ne s'étend pas au-delà du prix d'achat avéré du produit payé par le consommateur d'origine. Cette garantie s'applique uniquement aux appareils achetés auprès d'un détaillant et (ou) d'un revendeur autorisé(s).

REMARQUE : Certains États ne permettent pas l'exclusion ou la limitation des dommages fortuits ou indirects, de sorte que les limitations ou exclusions ci-dessus peuvent ne pas s'appliquer dans votre cas; cette garantie limitée vous confère des droits spécifiques tels que mentionnés aux présentes. Vous pouvez également jouir d'autres droits; ceux-ci varient d'un État à l'autre.

Si vous souhaitez obtenir l'application de toute obligation établie par la présente garantie limitée, veuillez écrire à l'adresse suivante :

**Nexgrill Customer Relations  
5270 Edison Avenue.,  
Chino, CA 91710**

*Toutes les demandes de remboursement, commandes de pièces, questions d'ordre général et assistance dépannage du peuvent être obtenues en appelant le 1-877-373-2301*

® Registered Trademark/TM Trademark of KitchenAid, U.S.A.  
Manufactured under license by Nexgrill Industries, Inc., Chino, CA 91790

® Marca registrada/TM Marca de comercio de KitchenAid, U.S.A  
Fabricado bajo licencia por Nexgrill Industries, Inc., Chino, CA 91790

® Marque déposée/TM Marque de commerce de KitchenAid, U.S.A  
Fabriqué sous licence par Nexgrill Industries, Inc., Chino, CA 91790

12 /2011  
Printed in China  
Impreso en China  
Imprimé en Chine

710-0003

## Free Manuals Download Website

<http://myh66.com>

<http://usermanuals.us>

<http://www.somanuals.com>

<http://www.4manuals.cc>

<http://www.manual-lib.com>

<http://www.404manual.com>

<http://www.luxmanual.com>

<http://aubethermostatmanual.com>

Golf course search by state

<http://golfingnear.com>

Email search by domain

<http://emailbydomain.com>

Auto manuals search

<http://auto.somanuals.com>

TV manuals search

<http://tv.somanuals.com>