

# KitchenAid® Ice Maker

## PRODUCT MODEL NUMBERS

KUIC15NLT      KUIC15PRT  
 KUIC15NRT      KUIS15NRT  
 KUIC15PLT

**Electrical:** A 115-volt, 60-Hz, AC-only, 15- or 20-amp electrical supply, properly grounded in accordance with the National Electrical Code and local codes and ordinances, is required.

It is recommended that a separate circuit, serving only your ice maker, be provided. Use a receptacle which cannot be turned off by a switch or pull chain.

**Recommended grounding method:** This appliance must be grounded. This appliance is equipped with a power supply cord having a 3-prong grounding plug. The cord must be plugged into a mating, 3-prong, grounding-type wall receptacle, grounded in accordance with the National Electrical Code and local codes and ordinances. If a mating wall receptacle is not available, it is the personal responsibility of the customer to have a properly grounded, 3-prong wall receptacle installed by a qualified electrician.

**Water:** A cold water supply with water pressure of between 30 and 120 psi (207 and 827 kPa) is required to operate the ice maker. If you have questions about your water pressure, call a licensed, qualified plumber.

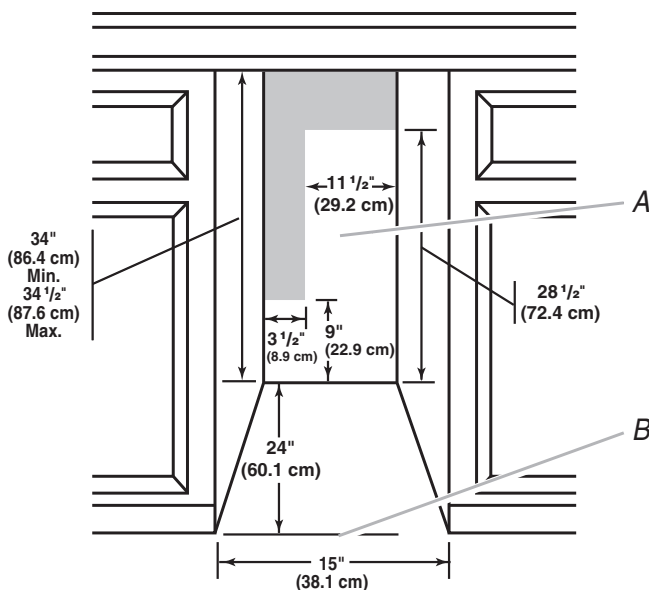
### IMPORTANT:

- Reverse osmosis water filtration systems can be used only with ice maker installations that have a gravity drain. A reverse osmosis system is not recommended for ice makers that have a drain pump installed.
- The pressure of the water supply coming out of a reverse osmosis system going to the water inlet valve of the ice maker needs to be between 30 and 120 psi (207 and 827 kPa).

If a reverse osmosis water filtration system is connected to your cold water supply, the water pressure to the reverse osmosis system needs to be a minimum of 40 to 60 psi (276 to 414 kPa).

**NOTE:** The reverse osmosis system must provide 1 gal. (3.8 L) of water per hour to the ice maker for proper ice maker operation. If a reverse osmosis system is desired, only a whole-house capacity reverse osmosis system, capable of maintaining the steady water supply required by the ice maker, is recommended. Faucet capacity reverse osmosis systems are not able to maintain the steady water supply required by the ice maker.

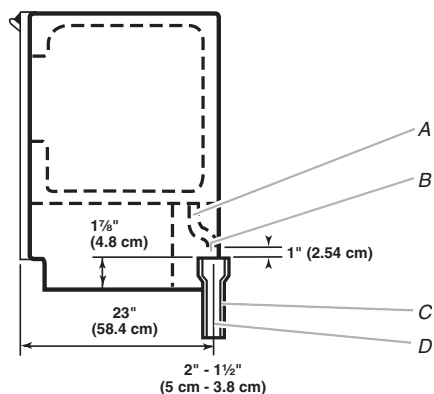
## CABINET OPENING DIMENSIONS



A. Recommended location for electrical and plumbing fixtures.

B. Floor level

## DRAIN REQUIREMENTS



A. Drain hose

B. 1" (2.5 cm) air gap

C. PVC drain reducer

D. Center of drain should be 23" (58.4 cm) from front of door, with or without the 3/4" (1.9 cm) panel on the door. The drain should also be centered from left to right (7-5/16" [18.6 cm] from either side of the ice maker).

Drain lines must have a minimum of 5/8" (1.6 cm) inside diameter.

Drain lines must have a 1" drop per 48" (2.5 cm drop per 122 cm) of run or 1/4" drop per 12" (0.6 cm per 30.5 cm) of run and must not have low points where water can settle.

The floor drains must be large enough to accommodate drainage from all drains.

The ideal installation has a standpipe with a 1-1/2" (3.8 cm) to 2" (5.1 cm) PVC drain reducer installed directly below the outlet of the drain tube as shown. You must maintain a 1" (2.5 cm) air gap between the drain hose and the standpipe.

It may be desirable to insulate the drain line thoroughly up to the drain inlet.

## Free Manuals Download Website

<http://myh66.com>

<http://usermanuals.us>

<http://www.somanuals.com>

<http://www.4manuals.cc>

<http://www.manual-lib.com>

<http://www.404manual.com>

<http://www.luxmanual.com>

<http://aubethermostatmanual.com>

Golf course search by state

<http://golfingnear.com>

Email search by domain

<http://emailbydomain.com>

Auto manuals search

<http://auto.somanuals.com>

TV manuals search

<http://tv.somanuals.com>