

KitchenAid® Ice Maker

PRODUCT MODEL NUMBERS

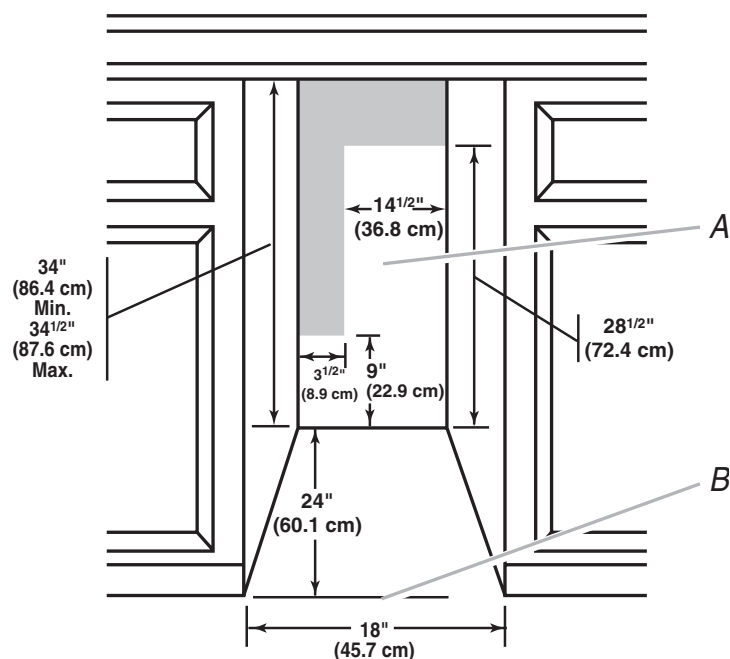
KUIA18NNJ	KUIS18NNJ
KUIA18PNL	KUIS18PNJ
KUIC18NNS	KUIV18NNM

Electrical: 115-volt, 60-Hz, AC-only, 15-amp grounded circuit is required. A time-delay fuse or circuit breaker and separate circuit is recommended.

Water: A cold water supply using 1/4 in. (0.64 cm) O.D. soft copper tubing with shutoff valve.

Drain: Either a gravity-drain system or condensate pump to carry water to an existing drain.

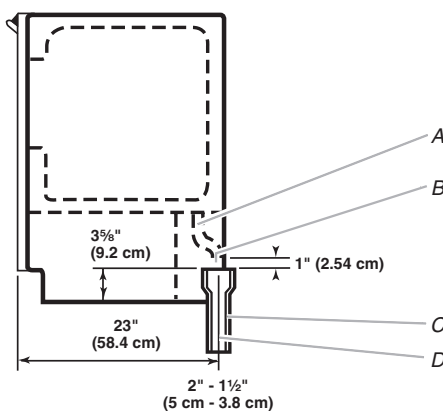
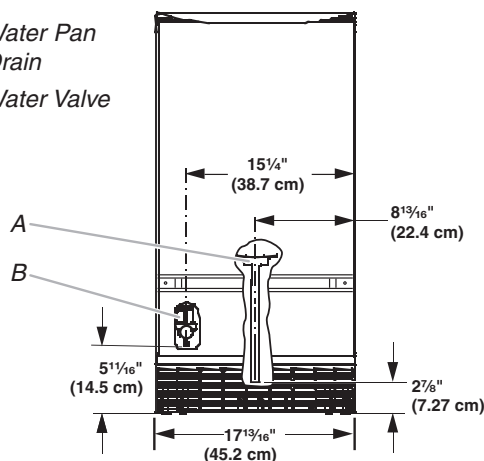
CABINET OPENING DIMENSIONS



1. Recommended location for electrical and plumbing fixtures.
2. Floor level

DRAIN REQUIREMENTS

- A. Water Pan
Drain
B. Water Valve



Drain lines must have a minimum of 5/8 in. (15.88 mm) inside diameter.

Drain lines must have a 1 in. drop per 48 in. (2.54 cm drop per 122 cm) of run or 1/4 in. drop per 12 in. (6.35 mm per 30.48 cm) and must not have low points where water can settle.

The floor drains must be large enough to accommodate drainage from all drains.

The ideal installation has a standpipe with a 1-1/2 in. (3.81 cm) to 2 in. (5.08 cm) PVC drain reducer installed directly below the outlet of the drain tube as shown. You must maintain a 1 in. (2.54 cm) air gap between the drain hose and the standpipe.

It may be desirable to insulate the drain line thoroughly up to the drain inlet.

- A. Drain hose
B. 1" (2.54 cm) air gap
C. PVC drain reducer

D. Center of drain should be 23" (58.4 cm) from front of door, with or without the 3/4" (1.91 cm) panel on the door. The drain should also be centered from left to right (8 3/16" [22.37 cm] from either side of the ice maker).

Free Manuals Download Website

<http://myh66.com>

<http://usermanuals.us>

<http://www.somanuals.com>

<http://www.4manuals.cc>

<http://www.manual-lib.com>

<http://www.404manual.com>

<http://www.luxmanual.com>

<http://aubethermostatmanual.com>

Golf course search by state

<http://golfingnear.com>

Email search by domain

<http://emailbydomain.com>

Auto manuals search

<http://auto.somanuals.com>

TV manuals search

<http://tv.somanuals.com>