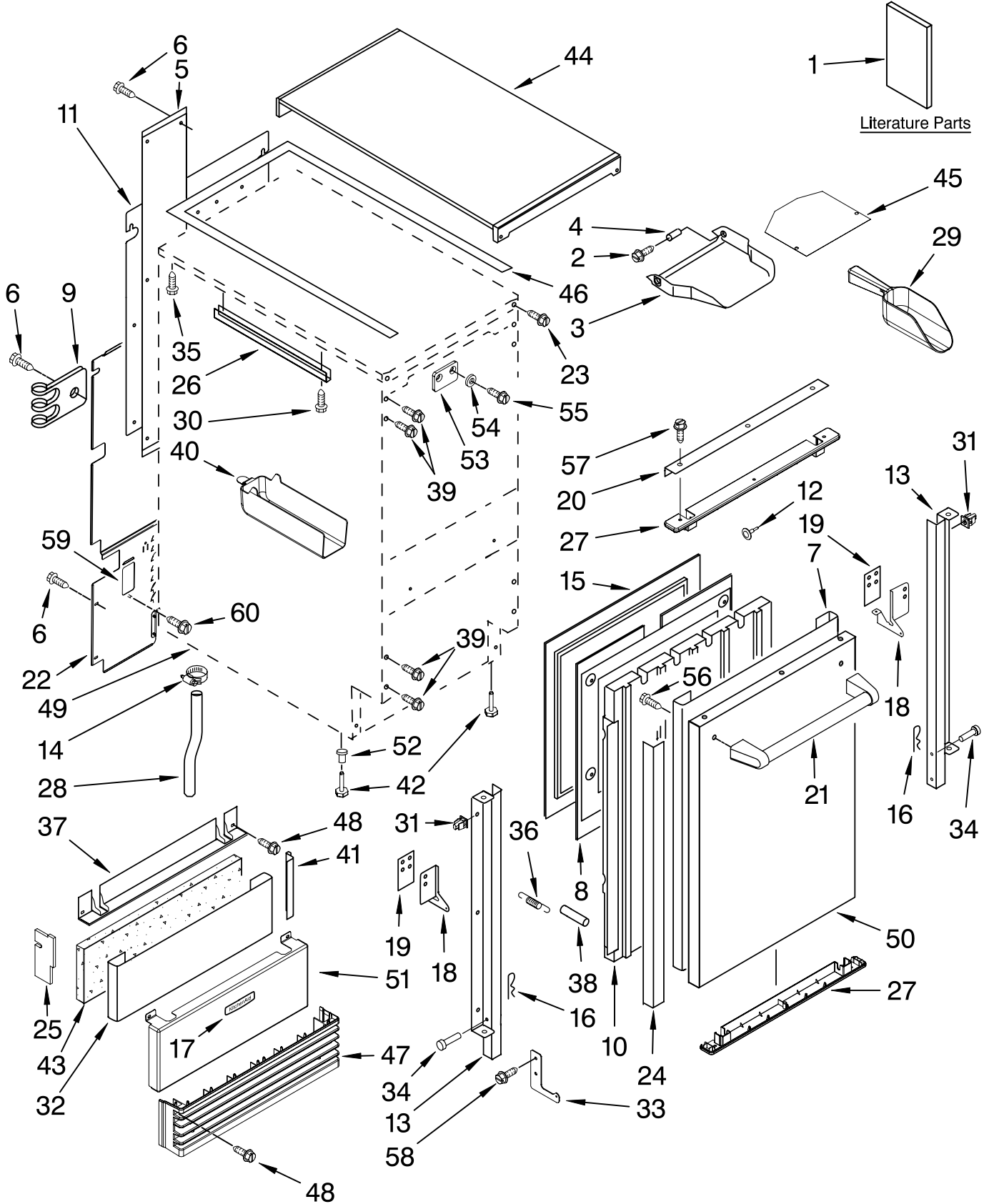


# CABINET LINER AND DOOR PARTS

For Models: KU1018NNVS1  
(Stainless Steel)

ICE CUBE  
MAKER

**KitchenAid**®



FOR ORDERING INFORMATION REFER TO PARTS PRICE LIST

# CABINET LINER AND DOOR PARTS

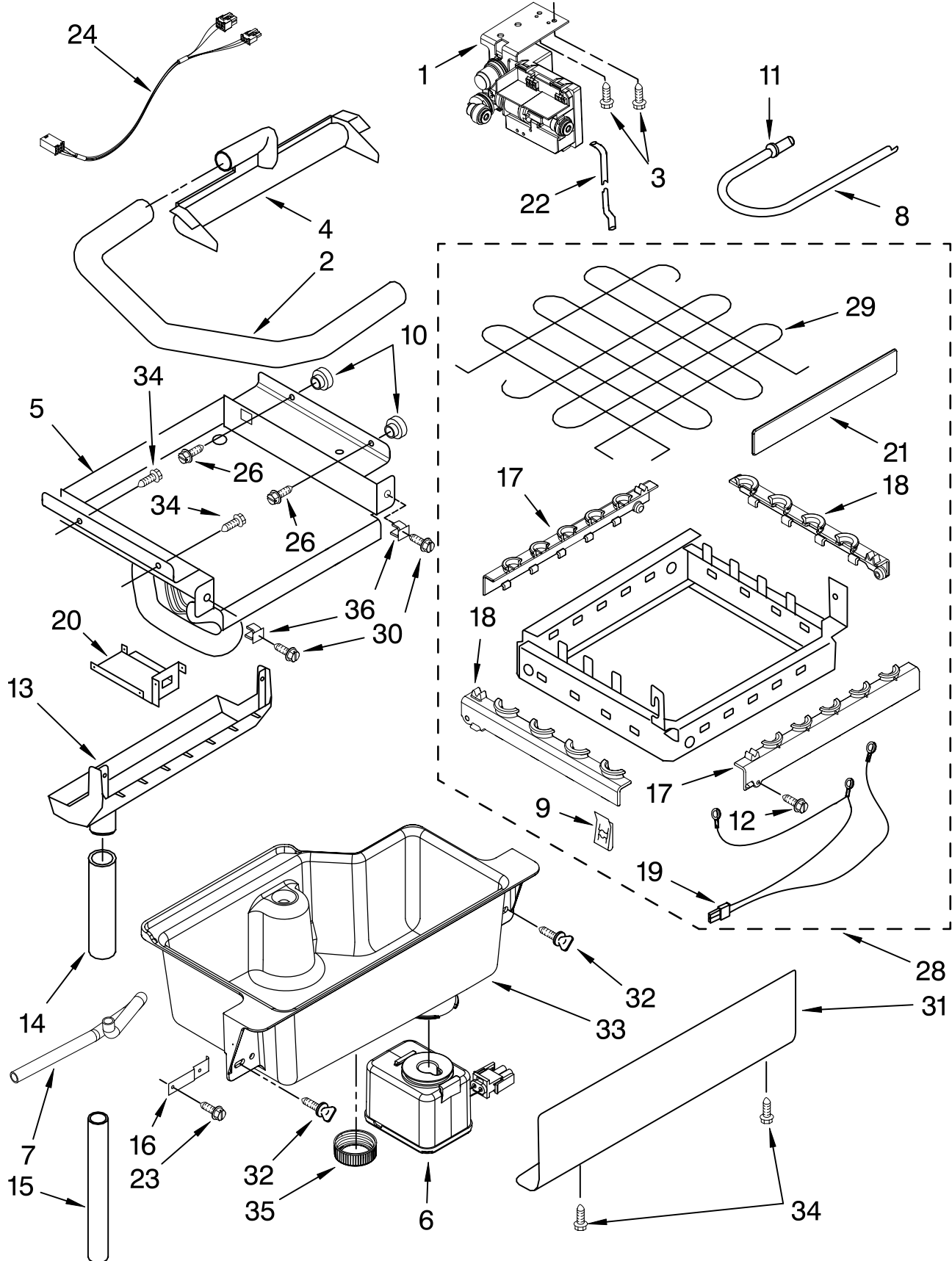
For Models: KUI018NNVS1  
(Stainless Steel)

| Illus. No. | Part No.  | DESCRIPTION            | Illus. No. | Part No.  | DESCRIPTION            | Illus. No. | Part No.  | DESCRIPTION                                   |
|------------|-----------|------------------------|------------|-----------|------------------------|------------|-----------|---|
| 1          |           | Literature Parts       | 19         | 2208401   | Shim, Hinge            | 40         | 2208449   | Holder, Scoop                                 |
|            | W10136912 | Use & Care Guide       | 20         | W10129511 | Trim- Magnet           | 41         | 2208596B  | Grommet, Edge guard(2)                        |
|            | W10217947 | Service & Wiring Sheet | 21         | W10129457 | Handle, Bar            | 42         | 2303615   | Leg, Leveler (4)                              |
|            |           |                        | 22         | W10129444 | Assembly, Unit Cover   | 43         | 2208384   | Insulation                                    |
| 2          | 3400886   | Screw 8-18 x 1 1/4     | 23         | 8534081   | Screw, Handle          | 44         | W10136884 | Top   |
| 3          | 2208354   | Bin, Door              | 24         | 2208595B  | Grommet, Edge Guard(2) | 45         | 2185690   | Shield, Electrical                            |
| 4          | 2185678   | Spacer                 | 25         | 2217225   | Pad, Foam              | 46         | 2217296   | Gasket, Top Panel                             |
| 5          | 2217394   | Cover, Wiring          | 26         | 2185691   | Channel, Wiring        | 47         | W10136904 | Grill, Front                                  |
| 6          | 489442    | Screw                  | 27         | W10129509 | Endcap, Door           | 48         | 489474    | Screw 8-18 x 1 Cabinet & Liner (NOT SERVICED) |
| 7          | 2208352B  | Panel, Exterior        | 28         | 2208453   | Tube, Drain            | 49         |           |   |
| 8          | 2217298   | Panel, Interior        | 29         | 2208386   | Scoop                  | 50         | W10129483 | Panel, Wrap                                   |
| 9          | 2208136   | Clamp-Tube             | 30         | 3400884   | Screw 8-18 x 5/8       | 51         | 2208594S  | Panel, Lower                                  |
| 10         | 2208377   | Insulation             | 31         | 692400    | Nut, Push-In           | 52         | 3400306   | Nut, Leg Leveler                              |
| 11         | 2217227   | Ballast-Back, I.M.     | 32         | 2208382B  | Panel, Wrap Lower      | 53         | 2208434   | Strike, Magnet                                |
| 12         | 941839    | Hole Plug              | 33         | 2208487   | Bracket, Spring        | 54         | 3400916   | Washer  |
| 13         |           | Bracket, Door          | 34         | 2208417   | Pin, Hinge             | 55         | 8281191   | Screw   |
|            | 2217466   | (Left Side)            | 35         | 489048    | Screw, Ground          | 56         | 3400237   | Screw (Handle Bar)                            |
|            | 2217465   | (Right Side)           | 36         | W10191920 | Spring, Hinge          | 57         | 8534081   | Screw   |
| 14         | 489503    | Clamp                  | 37         | W10136906 | Endcap, Panel          | 58         | 488208    | Screw   |
| 15         | W10136896 | Gasket, Door           | 38         | 2208530   | Dampener, Spring       | 59         | W10129515 | Cover-Drain Pump                              |
| 16         | 3405028   | Clip                   | 39         | 8281265   | Screw                  | 60         | 8281192   | Screw   |
| 17         | 2319107   | Nameplate              |            |           |                        |            |           |   |
| 18         |           | Hinge                  |            |           |                        |            |           |   |
|            | 2208425   | (Left Side)            |            |           |                        |            |           |   |
|            | 2208426   | (Right Side)           |            |           |                        |            |           |   |

FOR ORDERING INFORMATION REFER TO PARTS PRICE LIST

# EVAPORATOR, ICE CUTTER GRID AND WATER PARTS

For Models: KUIO18NNV51  
(Stainless Steel)



FOR ORDERING INFORMATION REFER TO PARTS PRICE LIST

# EVAPORATOR, ICE CUTTER GRID AND WATER PARTS

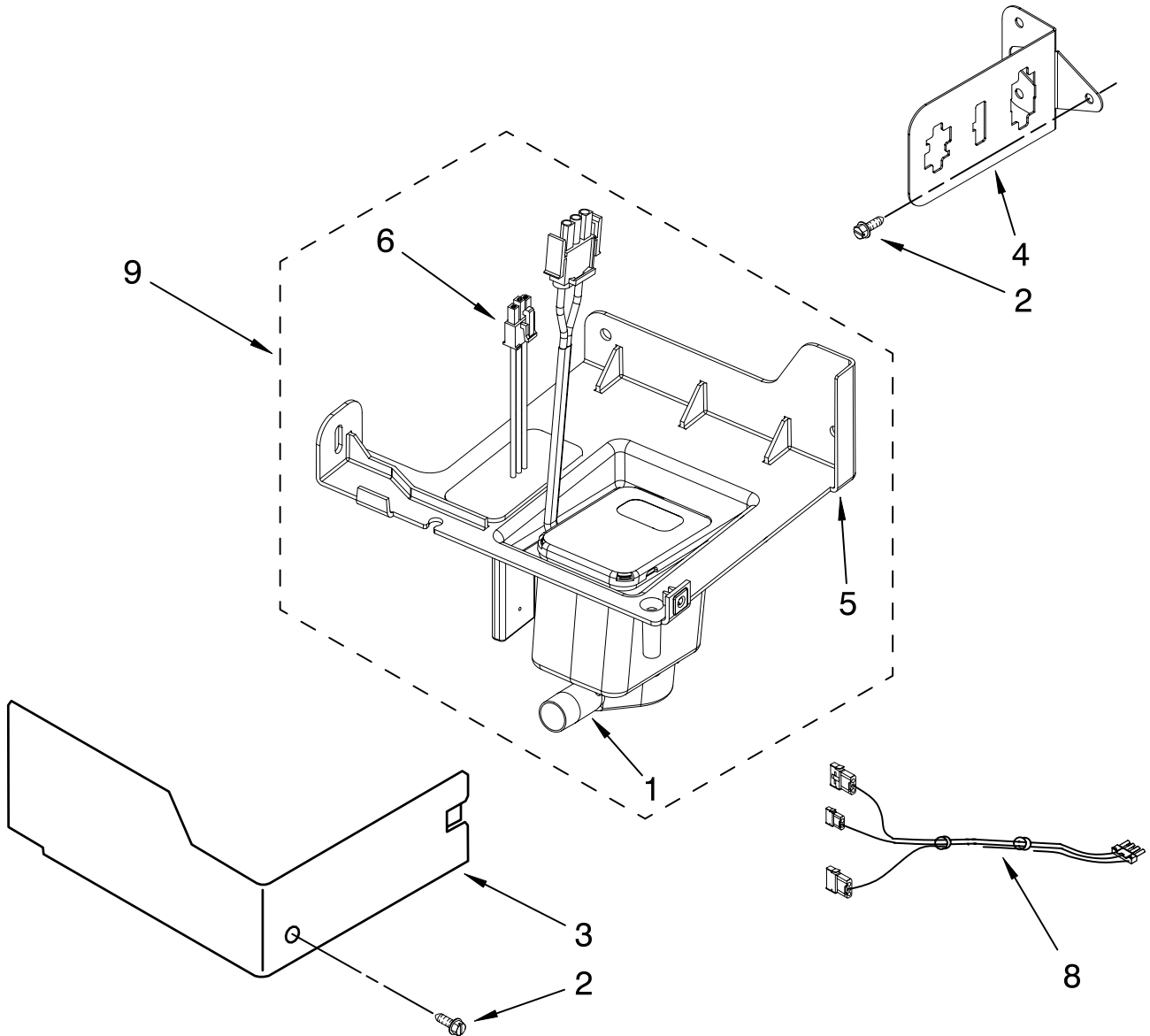
For Models: KUIO18NNVS1  
(Stainless Steel)

| <b>Illus.<br/>No.</b> | <b>Part<br/>No.</b> | <b>DESCRIPTION</b>                  |
|-----------------------|---------------------|-------------------------------------|
| 1                     | W10217917           | Valve, Complete<br>Water            |
| 2                     | 2217286             | Tube, Plastic                       |
| 3                     | 488208              | Screw                               |
| 4                     | 2185523             | Dispenser, Water                    |
| 5                     | 2217269             | Evaporator                          |
| 6                     | 2313705             | Pump, Drain                         |
| 7                     | 2313851             | Tube, Reservoir<br>Pump             |
| 8                     | 2172593             | Tube, Water Fill                    |
| 9                     | 488660              | Nut, Speed                          |
| 10                    | 836667              | Spacer                              |
| 11                    | 2208539             | Fastener, Pushnut                   |
| 12                    | 489443              | Screw                               |
| 13                    | 2185625             | Reservoir,<br>Water Slide           |
| 14                    | 2185626             | Tube                                |
| 15                    | 2313890             | Hose, Overflow                      |
| 16                    | 2217378             | Bracket-Reservoir                   |
| 17                    | 2313603             | Bracket, Front<br>and Rear          |
| 18                    | 2313602             | Bracket, Side<br>Left and Right     |
| 19                    | 2185681             | Harness, Grid                       |
| 20                    | 2208427             | Support, Bracket<br>Evaporator/Grid |
| 21                    | 2313604             | Guide, Ice Grid                     |
| 22                    | W10136146           | Tube                                |
| 23                    | 8281193             | Screw                               |
| 24                    | 2310169             | Wire Assembly<br>(Valve)            |
| 26                    | 3400886             | Screw 8-18 x 1 1/4                  |
| 28                    | 2313637             | Grid Assembly<br>(Complete)         |
| 29                    | 2174754             | Wire, Grid Cutter                   |
| 30                    | 8281192             | Screw                               |
| 31                    | 2208365             | Cover, Grid                         |
| 32                    | 8281228             | Thumbscrew                          |
| 33                    | 2324334             | Reservoir, Water                    |
| 34                    | 3400884             | Screw 8-18 x 5/8                    |
| 35                    | 2185696             | Cap, Drain                          |
| 36                    | 3400909             | Nut, Push-In                        |

FOR ORDERING INFORMATION REFER TO PARTS PRICE LIST

# PUMP PARTS

For Models: KUIO18NNVS1  
(Stainless Steel)

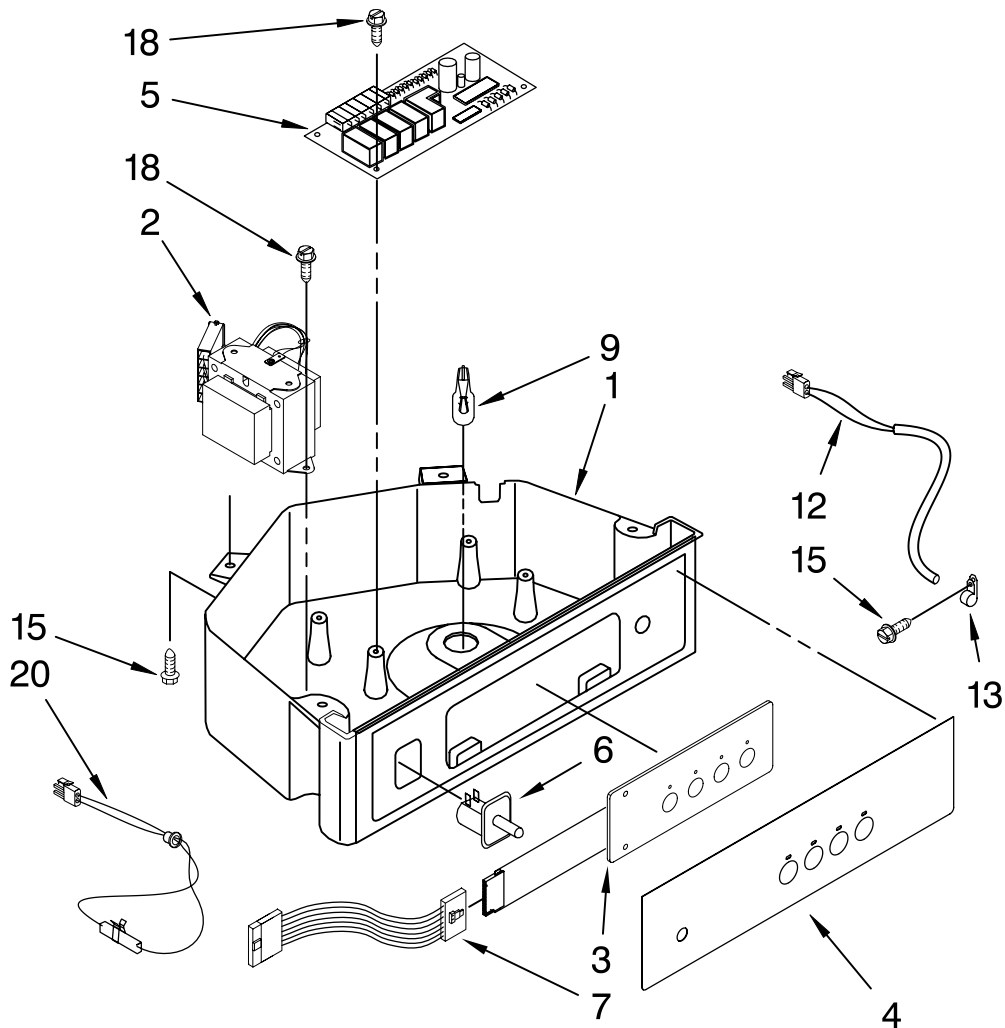


| Illus. No. | Part No. | DESCRIPTION                 |
|------------|----------|-----------------------------|
| 1          | 2313628  | Pump-Recirculating          |
| 2          | 3400884  | Screw 8-18 x 5/8            |
| 3          | 2185677  | Cover, Pump                 |
| 4          | 2313844  | Bracket, Connector Assembly |
| 5          | 2313627  | Bracket-Pump                |
| 6          | 2313643  | Sensor-Water Level          |
| 8          | 2310092  | Wiring Harness Main To Pump |
| 9          | 2313702  | Pump Assembly               |

FOR ORDERING INFORMATION REFER TO PARTS PRICE LIST

# CONTROL PANEL PARTS

For Models: KUIO18NNVS1  
(Stainless Steel)

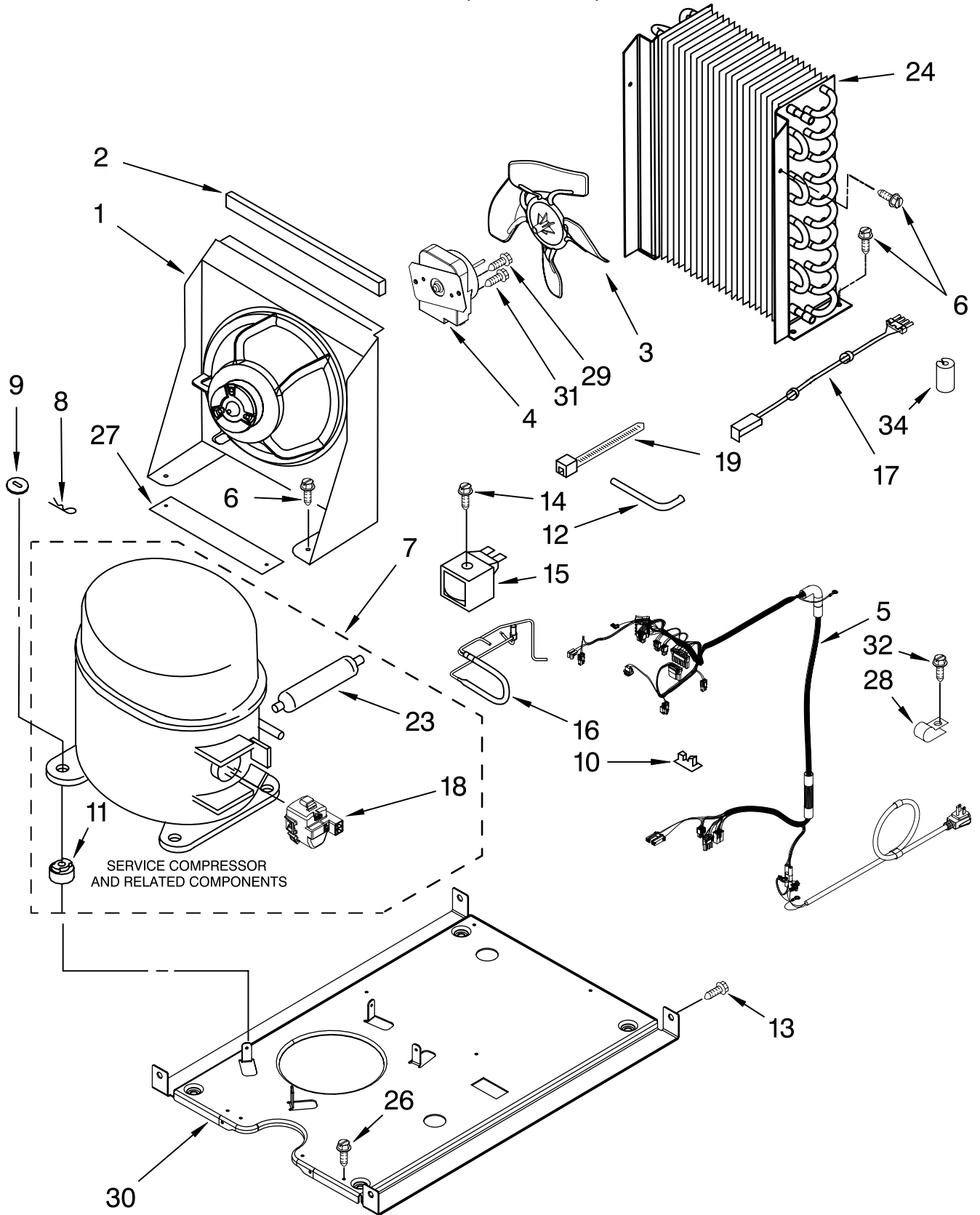


| Illus. No. | Part No.  | DESCRIPTION                         |
|------------|-----------|-------------------------------------|
| 1          | 2185738   | Box, Control                        |
| 2          | 2310139   | Transformer                         |
| 3          | 2304122   | Assembly, Switch<br>(ALSO ORDER #4) |
| 4          | 2313693   | Overlay                             |
| 5          | W10141364 | Control Board                       |
| 6          | 2149705   | Switch, Plunger<br>Grid/ Light      |
| 7          | 2187585   | Wire Assy-Active<br>Overlay Jumper  |
| 9          | 745362    | Bulb                                |
| 12         | 2313633   | Thermostat, Bin                     |
| 13         | 2185825   | Clamp                               |
| 15         | 3400884   | Screw 8-18 x 5/8                    |
| 18         | 3400850   | Screw 8-16 x 3/8                    |
| 20         | 2313635   | Thermister,<br>Ice Control          |

FOR ORDERING INFORMATION REFER TO PARTS PRICE LIST

# UNIT PARTS

For Models: KUIO18NNVS1  
(Stainless Steel)



FOR ORDERING INFORMATION REFER TO PARTS PRICE LIST

# UNIT PARTS

For Models: KUIO18NNVS1  
(Stainless Steel)

| <b>Illus.<br/>No.</b> | <b>Part<br/>No.</b> | <b>DESCRIPTION</b>   |
|-----------------------|---------------------|--|
| 1                     | 2185532             | Bracket, Fan Mtg.  |
| 2                     | 2185675             | Pad, Foam  |
| 3                     | 2188935             | Blade, Fan   |
| 4                     | 2315558             | Motor & Mounting<br>Plate Assembly                           |
| 5                     | W10209471           | Wiring Harness,<br>Complete Unit<br>(Includes<br>Power Cord) |
| 6                     | 8281244             | Screw  |
| 7                     | W10136195           | Compressor<br>(Includes<br>Illus. 11 & 23)                   |
| 8                     | A201435             | Clip, Mounting   |
| 9                     | A201441             | Shim (4)   |
| 10                    | 1115375             | Clip-Wiring  |
| 11                    |                     | Grommet (4)  |
|                       | 2217318             | Production   |
|                       | 4387558             | Service  |
| 12                    | 2208415             | Tube, Process  |
| 13                    | 489420              | Screw  |
| 14                    | 489472              | Screw  |
| 15                    | W10206473           | Coil, Solenoid   |
| 16                    | W10129500           | Hot Gas Valve Assy   |
| 17                    | 2187629             | Wiring Harness,<br>Condenser Fan                             |
| 18                    | W10136197           | Start Relay<br>& Overload<br>Combo Device                    |
| 19                    | 851095              | Strap  |
| 23                    |                     | Drier  |
|                       | W10183199           | Production   |
|                       | 4387019             | Service  |
| 24                    | W10129494           | Condenser-Shroud<br>Assembly                                 |
| 26                    | 488500              | Screw  |
| 27                    | 2217397             | Pad, Foam (2)  |
| 28                    | 2185960             | Clamp-Service Cord   |
| 29                    | 8281197             | Screw  |
| 30                    | W10122014           | Base, Unit   |
| 31                    | 8281196             | Screw  |
| 32                    | 304392              | Screw  |
| 34                    | 2319835             | Grommet-Cond.(1)   |

## REFRIGERANT CHARGE

6.5 OZ. (R134A)

FOR ORDERING INFORMATION REFER TO PARTS PRICE LIST



# OPTIONAL PARTS (NOT INCLUDED)

For Models: KUIO18NNVS1  
(Stainless Steel)

| <u>Illus. No.</u> | <u>Part No.</u> | <u>DESCRIPTION</u> |
|-------------------|-----------------|--------------------|
|-------------------|-----------------|--------------------|

---

Parts Not Illustrated and  
Optional Parts (Not Included)

---

|         |        |   |
|---------|--------|---|
|         | 503695 | Sealer, Cork<br>(1/4 Pound)                   |
|         | 797403 | Cement, Insulation<br>(1 Oz.)                 |
|         | 505587 | Sealer, Mastic<br>(1 Qt.)                     |
|         | 212643 | Sealer, Gum<br>(22 Pcs. 3/16" x 7")           |
|         | 479976 | Kit, Insulation<br>(5 Pcs. 3" x 24"<br>x 48") |
| 8537055 |        | Cleaner,<br>Stainless Steel                   |
|         | 978025 | Valve, Access<br>(1/4")                       |
|         | 978026 | Valve, Access<br>(5/16")                      |
|         | 978027 | Valve, Access<br>(3/8")                       |
|         | 978028 | Valve, Access<br>(1/2")                       |
|         | 978029 | Valve, Access<br>(5/8")                       |
|         | 978030 | Valve, Access<br>(3/4")                       |

## ACCESSORIES

|          |  |   |
|----------|--|---|
|          |  | Previous Architect<br>Series Handle Kit |
| 2217442S |  | Stainless Steel                         |

## Free Manuals Download Website

<http://myh66.com>

<http://usermanuals.us>

<http://www.somanuals.com>

<http://www.4manuals.cc>

<http://www.manual-lib.com>

<http://www.404manual.com>

<http://www.luxmanual.com>

<http://aubethermostatmanual.com>

Golf course search by state

<http://golfingnear.com>

Email search by domain

<http://emailbydomain.com>

Auto manuals search

<http://auto.somanuals.com>

TV manuals search

<http://tv.somanuals.com>