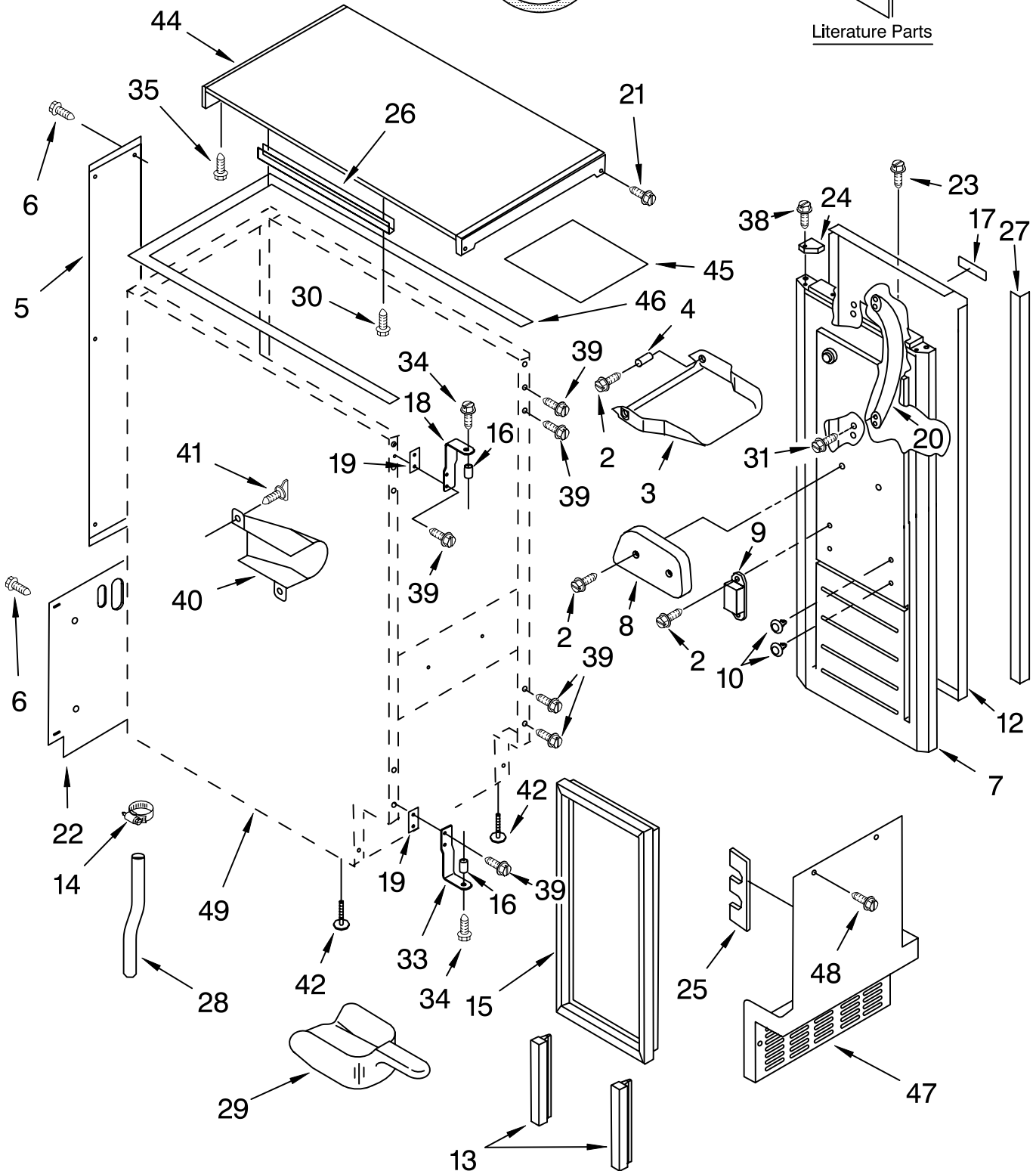
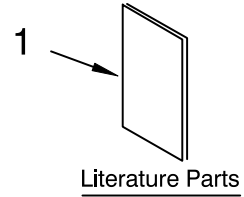


CABINET LINER AND DOOR PARTS

For Models: KUIS155HLS2
(STAINLESS STEEL)

ICE CUBE
MAKER

KitchenAid®



FOR ORDERING INFORMATION REFER TO PARTS PRICE LIST

CABINET LINER AND DOOR PARTS

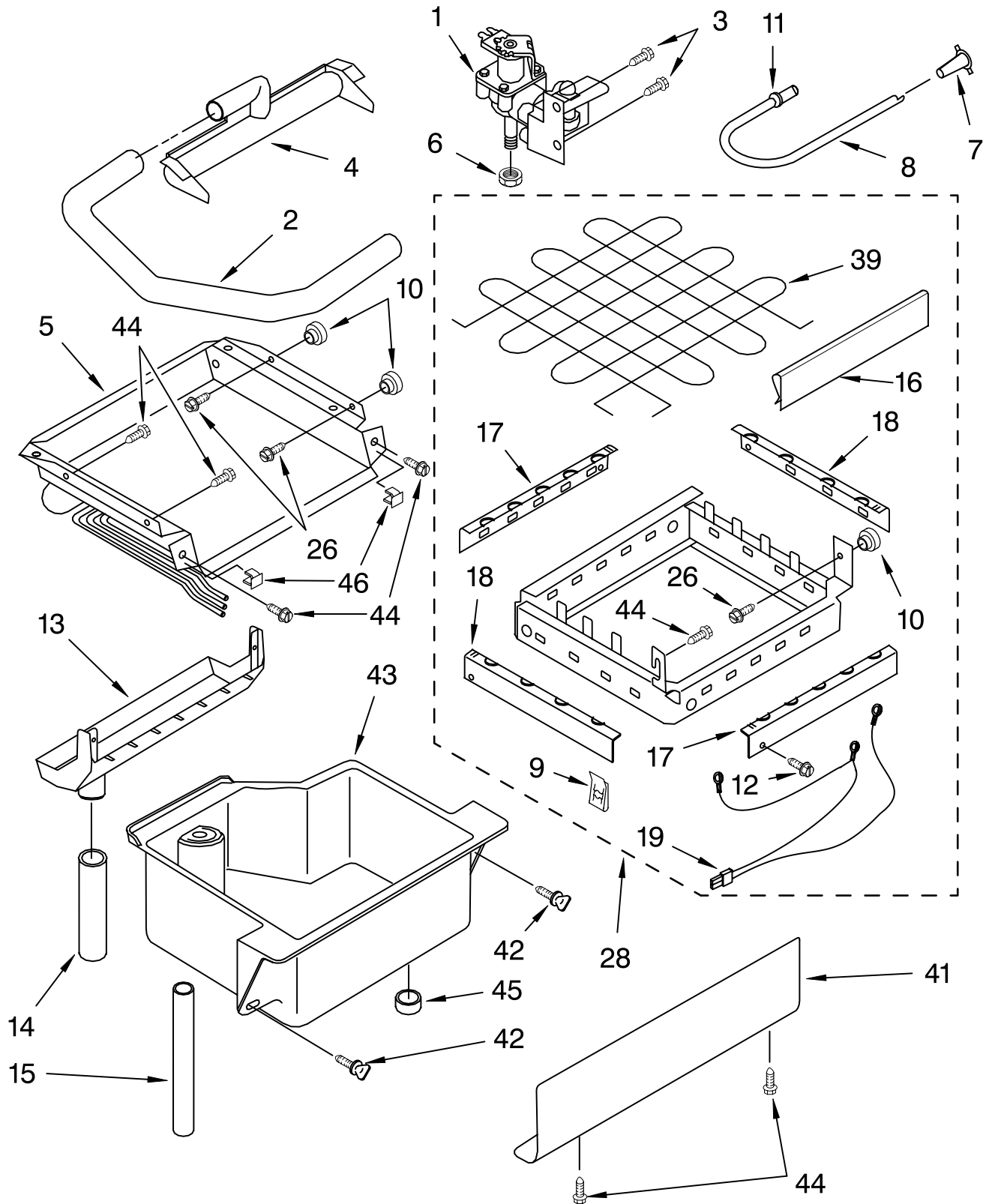
For Models: KUIS155HLS2
(STAINLESS STEEL)

| Illus. No. | Part No. | DESCRIPTION | Illus. No. | Part No. | DESCRIPTION | Illus. No. | Part No. | DESCRIPTION |
|------------|------------|-----------------------------|------------|----------|-----------------------------------|------------|----------|--|
| 1 | | Literature Parts | 24 | | Filler, Endcap | | | |
| | LIT2208355 | Use & Care Guide | | 2185655B | Left Side | | | |
| | LIT2208560 | Service & Wiring Sheet | | 2185656B | Right Side | | | Parts Not Illustrated and Optional Parts (Not Included) |
| 2 | 3400886 | Screw 8-18 X 1 1/4 | 25 | 2185756 | Pad, Foam | | | |
| 3 | 2185742 | Bin, Door | 26 | 2185691 | Channel, Wiring | | | |
| 4 | 2185678 | Spacer | 27 | 2185964 | Grommet, Edge Guard (2) | | | |
| 5 | 2185575 | Cover, Wiring | 28 | 2185989 | Tube, Drain | | | |
| 6 | 489442 | Screw | 29 | 585158 | Scoop | | | |
| 7 | 2932800B | Door | 30 | 3400884 | Screw 8-18 X 5/8 | | | |
| 8 | 2185695 | Cam, Door | 31 | 3400037 | Screw 10-32 X 3/8 | | | |
| 9 | 2185991 | Assembly, Magnetic Catch | 33 | 2185711 | Hinge, Bottom | | | |
| 10 | 2189000 | Plug, Hole | 34 | 2185712 | Pin, Hinge | | | |
| 12 | 2185962 | Wrap, Door | 35 | 489048 | Screw, Ground 8-32 X 1/2 | | | |
| 13 | 2185777 | Gasket, Bottom | 38 | 348689 | Screw 8-18 X 3/4 | | | |
| 14 | 489503 | Clamp | 39 | 489423 | Screw 10-32X11/16 | | | |
| 15 | 2185776 | Gasket, Door | 40 | 2185927 | Holder, Scoop | | | |
| 16 | 2185640 | Sleeve, Hinge | 41 | 681534 | Thumbscrew | | | |
| 17 | 2185968 | Nameplate | 42 | 3376439 | Leg, Leveler | | | |
| 18 | 2185710 | Hinge, Top | 44 | 2929700B | Top | | | |
| 19 | 2185709 | Shim, Hinge | 45 | 2185690 | Shield, Electrical | | | |
| 20 | 2181223 | Handle, Door | 46 | 2185645 | Gasket, Top Panel | | | |
| 21 | | Screw 8-18 X 1/2 | 47 | 2185571B | Grill, Front | | | |
| | 8281138 | Front | 48 | 489474 | Screw 8-18 X 1 | | | |
| | 3400887 | Rear | 49 | | Cabinet & Liner (NOT SERVICED) | | | |
| 22 | 2185730 | Assembly, Unit Cover | | | | | | |
| 23 | 3400887 | Screw 8-18X1/2 (4) | | | | | | |
| | | | | | | | | 8171307 Cleaner, Icemaker |
| | | | | | | | | 503695 Sealer, Cork (1/4 Pound) |
| | | | | | | | | 797403 Cement, Insulation (1 Oz.) |
| | | | | | | | | 505587 Sealer, Mastic (1 Qt.) |
| | | | | | | | | 212643 Sealer, Gum (22 Pcs. 3/16" x 7") |
| | | | | | | | | 479976 Kit, Insulation (5 Pcs. 3" x 24" x 48") |
| | | | | | | | | 978025 Valve, Access (1/4") |
| | | | | | | | | 978026 Valve, Access (5/16") |
| | | | | | | | | 978027 Valve, Access (3/8") |
| | | | | | | | | 978028 Valve, Access (1/2") |
| | | | | | | | | 978029 Valve, Access (5/8") |
| | | | | | | | | 978030 Valve, Access (3/4") |

FOR ORDERING INFORMATION REFER TO PARTS PRICE LIST

EVAPORATOR, ICE CUTTER GRID AND WATER PARTS

For Models: KUIS155HLS2
(STAINLESS STEEL)



FOR ORDERING INFORMATION REFER TO PARTS PRICE LIST

EVAPORATOR, ICE CUTTER GRID AND WATER PARTS

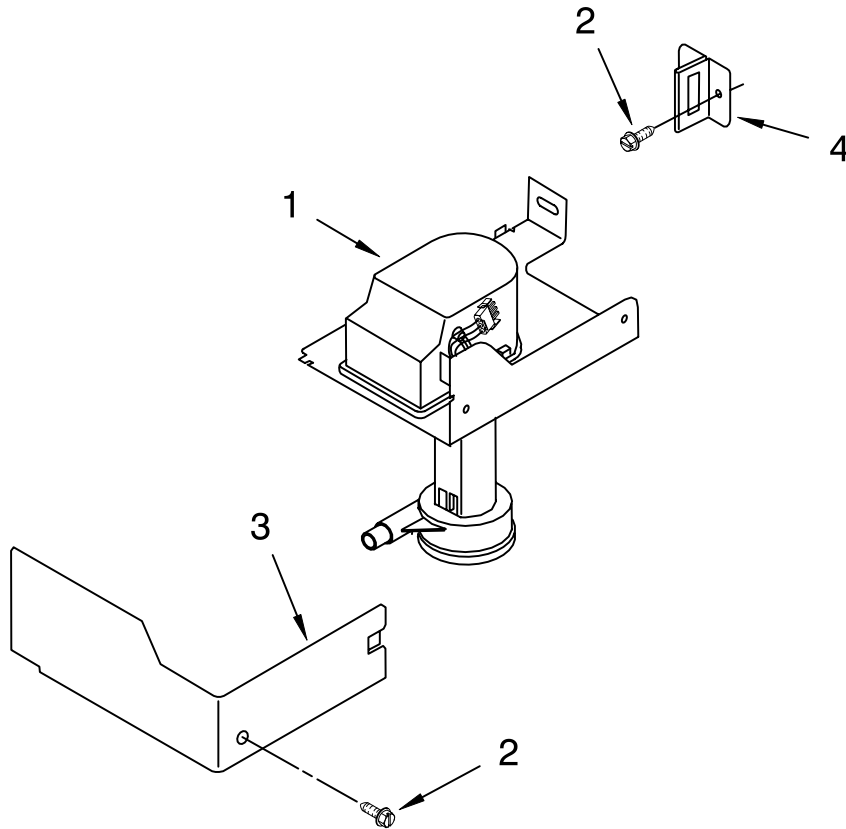
For Models: KUIS155HLS2
(STAINLESS STEEL)

| Illus. No. | Part No. | DESCRIPTION |
|-----------------------|---------------------|---------------------------------|
| 1 | 2185758 | Valve, Complete Water |
| 2 | 2185669 | Tube, Plastic |
| 3 | 488687 | Screw 8-15 X 5/8 |
| 4 | 2185523 | Dispenser, Water |
| 5 | 2208464 | Evaporator |
| 6 | 627018 | Nut, Compression |
| 7 | 841707 | Insert, Tube |
| 8 | 2172593 | Tube, Water Fill |
| 9 | 488660 | Nut, Speed |
| 10 | 836667 | Spacer |
| 11 | 2208539 | Fastener, Pushnut |
| 12 | 489443 | Screw |
| 13 | 2185625 | Reservoir, Water Slide |
| 14 | 2185626 | Tube |
| 15 | 2185673 | Hose, Overflow |
| 16 | 2208566 | Guide-Ice, Grid |
| 17 | 2185615 | Bracket, Front and Rear |
| 18 | 2185611 | Bracket, Side Left and Right |
| 19 | 2185681 | Harness, Grid |
| 26 | 3400886 | Screw 8-18 X 1 1/4 |
| 28 | 2185614 | Grid Assembly (Complete) |
| 39 | 2174754 | Wire, Grid Cutter |
| 41 | 2185570 | Cover, Grid |
| 42 | 681534 | Thumbscrew |
| 43 | 2185624 | Reservoir, Water |
| 44 | 3400884 | Screw 8-18 X 5/8 |
| 45 | 2185696 | Cap, Drain |
| 46 | 3400909 | Nut, Push-In |

FOR ORDERING INFORMATION REFER TO PARTS PRICE LIST

PUMP PARTS

For Models: KUIS155HLS2
(STAINLESS STEEL)

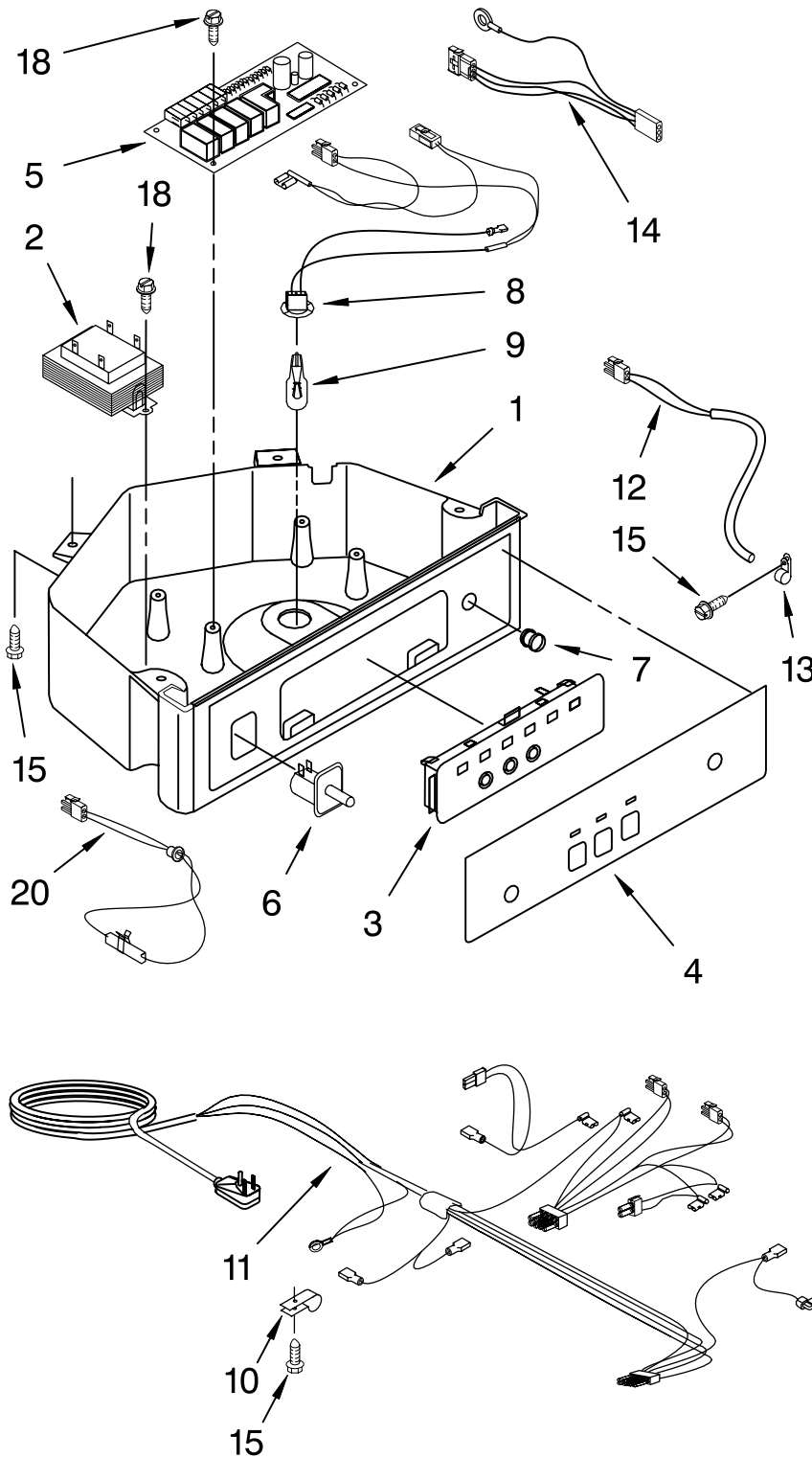


| Illus. No. | Part No. | DESCRIPTION |
|-------------------|-----------------|--------------------------------|
| 1 | 2208482 | Pump, Water (Complete) |
| 2 | 3400884 | Screw 8-18 X 5/8 |
| 3 | 2185677 | Cover, Pump |
| 4 | 2185585 | Bracket, Connector Assembly |

FOR ORDERING INFORMATION REFER TO PARTS PRICE LIST

CONTROL PANEL PARTS

For Models: KUIS155HLS2
(STAINLESS STEEL)

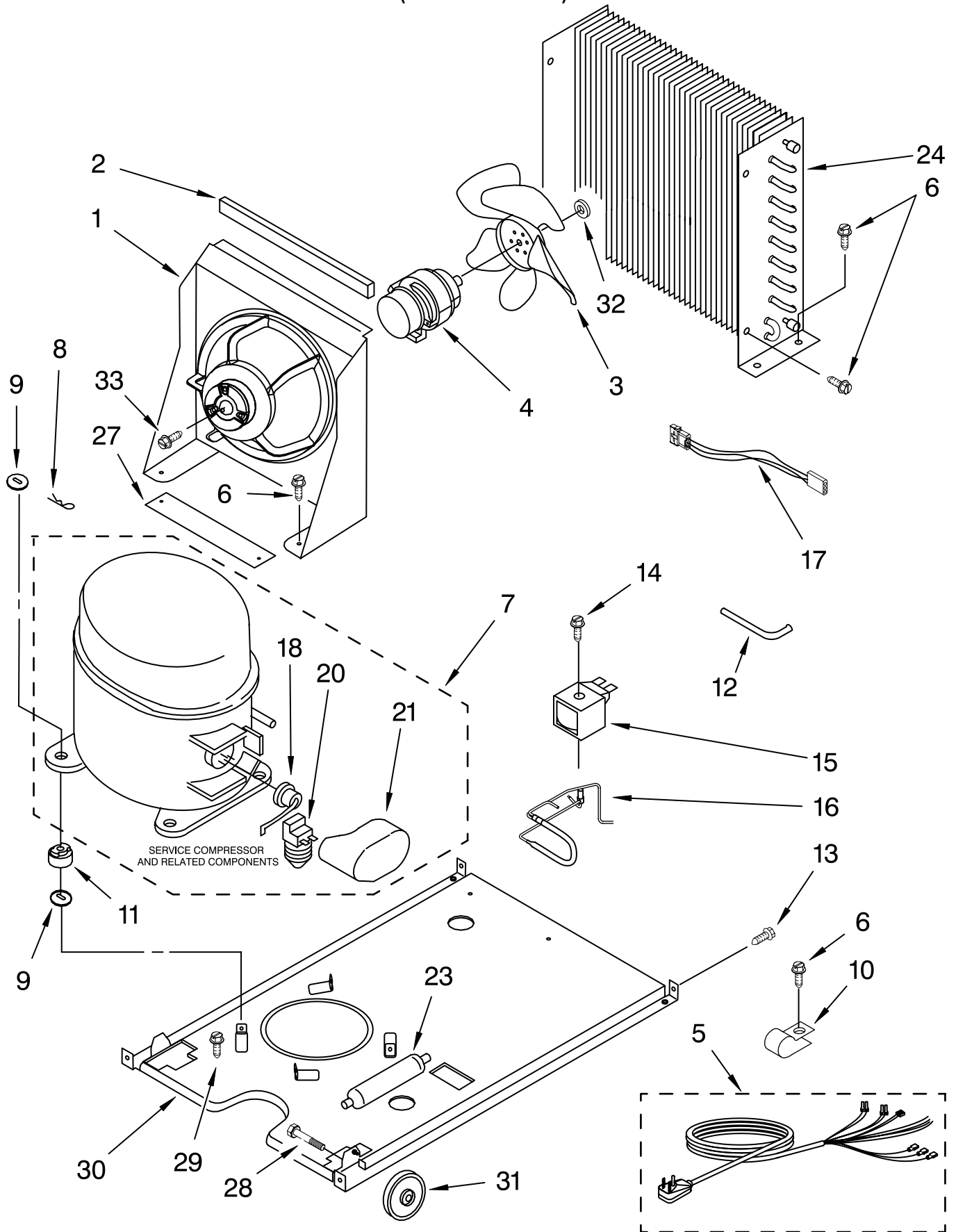


| Illus. No. | Part No. | DESCRIPTION |
|------------|----------|--|
| 1 | 2185738 | Box, Control |
| 2 | 2185657 | Transformer |
| 3 | 2185592 | Assembly, Switch (ALSO ORDER #4) |
| 4 | 2208317W | Overlay |
| 5 | 6100499 | P.C. Board |
| 6 | 2149705 | Switch, Plunger |
| 7 | 2185694 | Lens, LED |
| 8 | 2185692 | Wiring Harness Grid/ Light |
| 9 | 745362 | Bulb |
| 10 | 2185788 | Clamp |
| 11 | 2187286 | Wiring Harness, Complete Unit (Includes Power Cord) |
| 12 | 2185679 | Thermostat, Bin |
| 13 | 2185825 | Clamp |
| 14 | 2185703 | Wiring Harness, Main to Pump, |
| 15 | 3400884 | Screw 8-18 X 5/8 |
| 18 | 3400850 | Screw 8-16 X 3/8 |
| 20 | 2185680 | Thermister, Ice Control |

FOR ORDERING INFORMATION REFER TO PARTS PRICE LIST

UNIT PARTS

For Models: KUIS155HLS2
(STAINLESS STEEL)



FOR ORDERING INFORMATION REFER TO PARTS PRICE LIST

UNIT PARTS

For Models: KUIS155HLS2
(STAINLESS STEEL)

| Illus. No. | Part No. | DESCRIPTION |
|-------------------|-----------------|---|
| 1 | 2185532 | Bracket, Fan Mtg. |
| 2 | 2185675 | Pad, Foam |
| 3 | 2190685 | Blade, Fan |
| 4 | 2183437 | Motor, Fan |
| 5 | | Wiring Harness, Complete Unit (See #11 On Control Panel Parts Page) |
| 6 | 304392 | Screw 8-18 X 1/2 |
| 7 | 2176659 | Compressor |
| 8 | A201435 | Clip, Mounting |
| 9 | A201441 | Shim (8) |
| 10 | 2185960 | Clamp (Power Cord) |
| 11 | 2185965 | Grommet (4) |
| 12 | 2185548 | Tube, Process |
| 13 | 489423 | Screw |
| 14 | 489472 | Screw |
| 15 | 759112 | Coil, Solenoid |
| 16 | 2208467 | Valve, Body |
| 17 | 2187267 | Wiring Harness, Condenser Fan |
| 18 | 2183404 | Overload |
| 20 | 2183410 | Relay, Start |
| 21 | 2162358 | Cover, Terminal |
| 23 | 2209223 | Drier |
| 24 | 2185529 | Condenser |
| 27 | 2185858 | Pad, Foam (2) |
| 28 | 3370389 | Screw 10-32X15/16 |
| 29 | 488500 | Screw, Ground 8-32 X 3/8 |
| 30 | 2185511 | Base, Unit |
| 31 | 302819 | Wheel |
| 32 | 486692 | Nut, Speed |
| 33 | 489494 | Screw 8-32 X 3/4 |

REFRIGERANT CHARGE

6.5 OZ. (R134A)



FOR ORDERING INFORMATION REFER TO PARTS PRICE LIST

Free Manuals Download Website

<http://myh66.com>

<http://usermanuals.us>

<http://www.somanuals.com>

<http://www.4manuals.cc>

<http://www.manual-lib.com>

<http://www.404manual.com>

<http://www.luxmanual.com>

<http://aubethermostatmanual.com>

Golf course search by state

<http://golfingnear.com>

Email search by domain

<http://emailbydomain.com>

Auto manuals search

<http://auto.somanuals.com>

TV manuals search

<http://tv.somanuals.com>