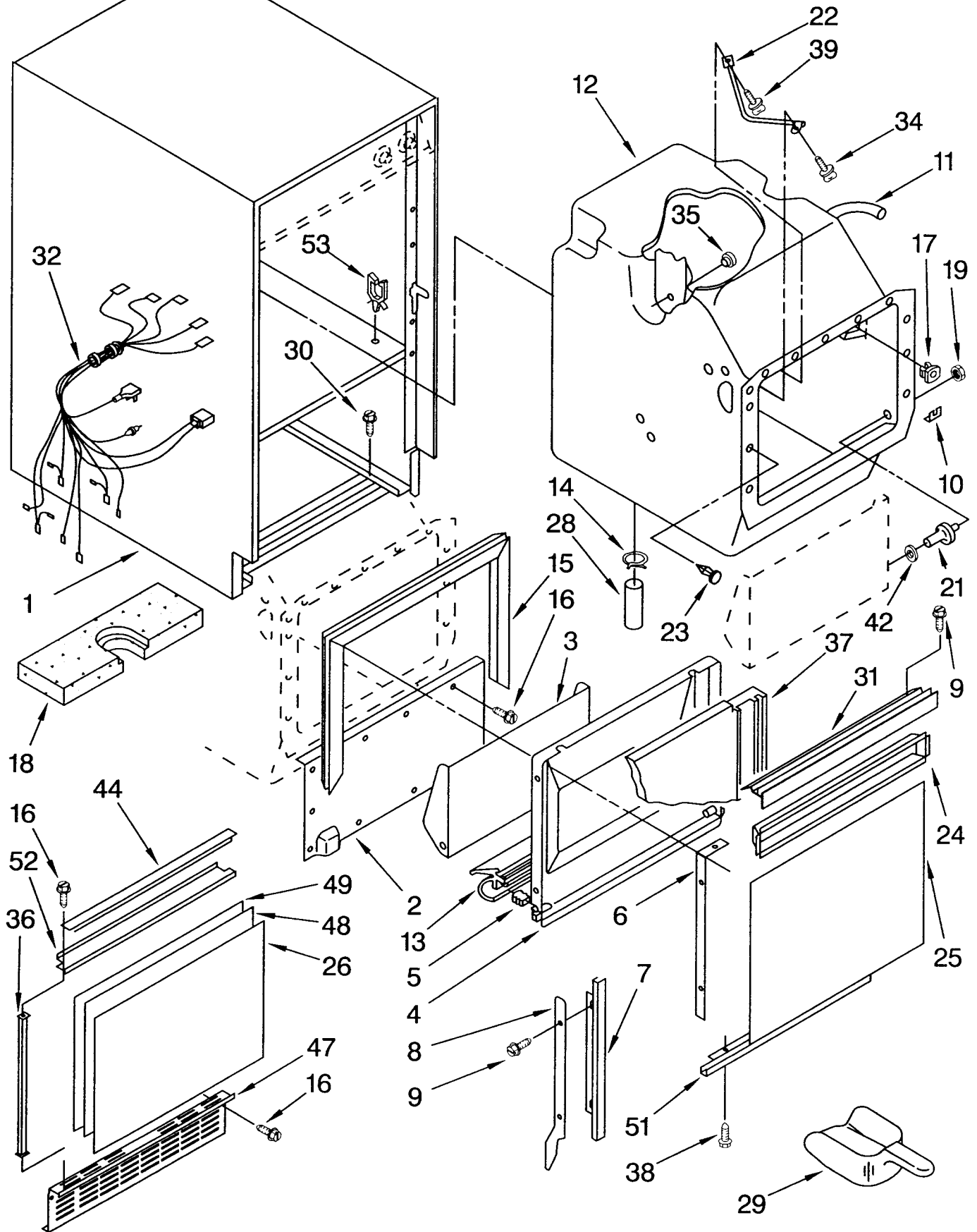


CABINET LINER AND DOOR PARTS

ICE CUBE
MAKER

For Model: KUIS185DBL0

KitchenAid.



| | | |
|----|---------|-------------------------------------------------|
| 1 | 2175696 | Shell |
| 2 | 2175619 | Front, Shell |
| 3 | 756330 | Door, Inner Bin |
| 4 | 758655 | Liner, Door |
| 5 | 593192 | Plug, Hinge |
| 6 | 593104 | Strip, Tapping (2) |
| 7 | 2175684 | Trim, Door (2) |
| 8 | 593184 | Rail, R.S. |
| | 593185 | Rail, L.S. |
| 9 | 681459 | Screw, 8-32 x 5/8 (6) |
| 10 | 758492 | Washer (2) |
| 11 | 759213 | Tube, Water Fill |
| 12 | 756350 | Liner (Includes Illus. 10, 11, 17, 19, 21 & 35) |
| 13 | 2172898 | Gasket, Bottom |
| 14 | 596023 | Clamp (2) |
| 15 | 758921 | Gasket |
| 16 | 487909 | Screw #8 x 1/2 |
| 17 | 596807 | Grommet |
| 18 | 756891 | Insulation, Bottom, Foam |
| 19 | 681542 | Nut |
| 21 | 758220 | Stud (2) |
| 22 | 593183 | Well, Bin Thermostat |
| 23 | 596812 | Clip, Panel (12) |
| 24 | 2175686 | Pocket, Handle |
| 25 | 758746 | Panel, Exterior |
| 26 | 758720 | Panel, Outer |
| 28 | 593577 | Connector, Hose |
| 29 | 585158 | Scoop |
| 30 | 680811 | Screw, 10-32 x 3/8 |
| 31 | 2175685 | Handle, Recessed |
| 32 | 2174781 | Harness, Cabinet |
| 34 | 680930 | Thumbscrew, 10-1/2 |
| 35 | 596715 | Well Nut (3) |
| 36 | 2175688 | Trim, Side (2) |
| 37 | 758608 | Insulation, Door |
| 38 | 681196 | Screw |
| 39 | 681419 | Thumbscrew |
| 42 | 681613 | Washer |
| 44 | 2175689 | Trim, Top And Bottom |
| 47 | 758769 | Grill, Front |
| 48 | 758770 | Panel, Filler |
| 49 | 758771 | Panel, Inner |
| 51 | 2175683 | Trim, Door (Lower) |
| 52 | 2175604 | Support, Front |
| 53 | 758844 | Retainer, Wire |

FOLLOWING PARTS NOT ILLUSTRATED

OPTIONAL PARTS NOT INCLUDED

| | |
|--------|-----------------------------------------|
| 503695 | Sealer, Cork (1/4 Pound) |
| 799351 | Blend, Thinner (1 Gal.) |
| 797403 | Cement, Insulation (1 Oz.) |
| 505587 | Sealer, Mastic (1 Qt.) |
| 212643 | Sealer, Gum (22 Pcs. 3/16" x 7") |
| 479976 | Kit, Insulation (5 Pcs. 3" x 24" x 48") |
| 978025 | Valve, Access (1/4") |
| 978026 | Valve, Access (5/16") |

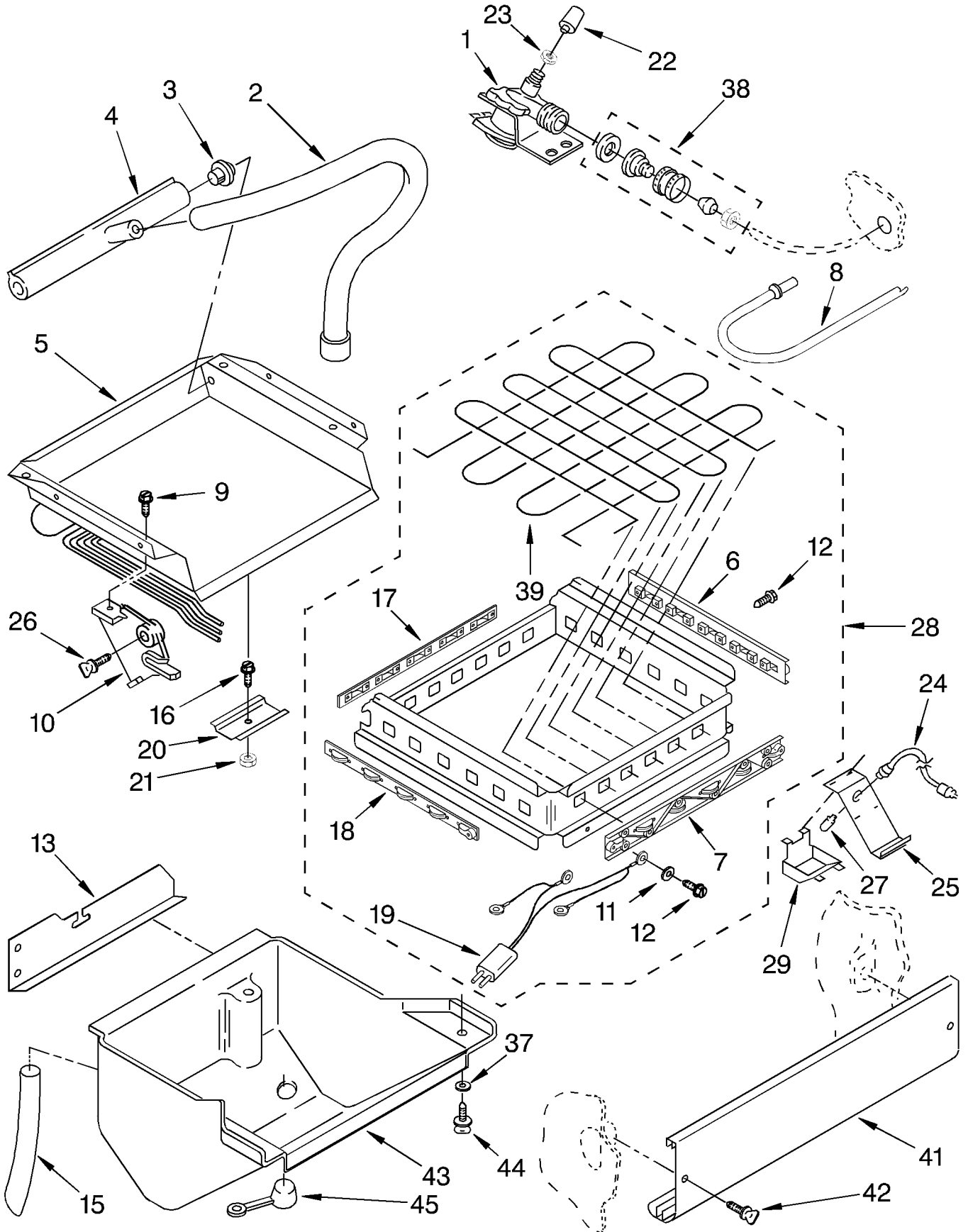
| | |
|--------|----------------------|
| 978027 | Valve, Access (3/8") |
| 978028 | Valve, Access (1/2") |
| 978029 | Valve, Access (5/8") |
| 978030 | Valve, Access (3/4") |

LITERATURE PARTS

| | |
|------------|----------------------------|
| LIT2175674 | Use & Care Guide |
| LIT2175675 | Instructions, Installation |
| LIT2174786 | Service and Wiring Sheet |
| LIT2174784 | Label, Wiring Diagram |

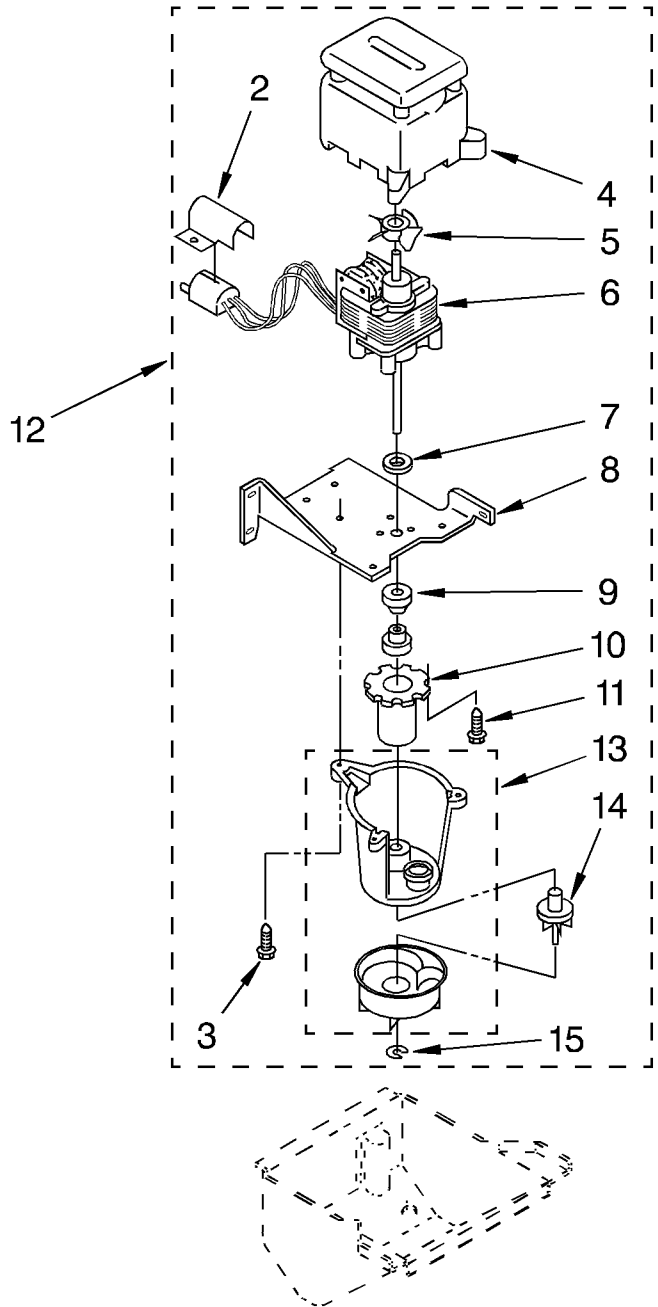
EVAPORATOR, ICE CUTTER GRID AND WATER PARTS

For Model: KUIS185DBL0



| | | |
|----|---------|----------------------------|
| 1 | 759296 | Valve, Complete Water |
| 2 | 585856 | Tube, Plastic |
| 3 | 758597 | Plug (2) |
| 4 | 1129798 | Dispenser, Water |
| 5 | 758028 | Evaporator |
| 6 | | Spacer, Adjustable |
| 7 | | Spacer, Adjustable |
| 8 | 759213 | Tube, Water Fill |
| 9 | 489049 | Screw 10-12 x 1/2 |
| 10 | 756564 | Bracket, Grid Mounting (2) |
| 11 | | Washer, Plain |
| 12 | | Screw |
| 13 | 585853 | Shelf, Water Pan |
| 15 | 759109 | Hose, Overflow |
| 16 | 596037 | Screw, 10-32 x 1/2 |
| 17 | | Spacer, Fixed |
| 18 | | Spacer, Fixed |
| 19 | | Harness, Grid |
| 20 | 587662 | Clamp |
| 21 | 681676 | Nut, Wing |
| 22 | 841707 | Insert |
| 23 | 627018 | Nut & Sleeve Assembly |
| 24 | 758488 | Harness, Light |
| 25 | 758490 | Bracket, Lamp |
| 26 | 681611 | Thumbscrew |
| 27 | 745362 | Bulb |
| 28 | 2174752 | Grid Assembly (Complete) |
| 29 | 758489 | Shield, Light |
| 37 | 681245 | Washer |
| 38 | 2165477 | Adapter |
| 39 | | Wire, Grid Cutter |
| 41 | 593171 | Panel, Grid |
| 42 | 681534 | Thumbscrew, 10-32 x 5/8 |
| 43 | 756659 | Pan |
| 44 | 681419 | Thumbscrew, 10 x 1/2 |
| 45 | 759043 | Stopper, Water Pan |

PUMP PARTS
For Model: KUIS185DBL0

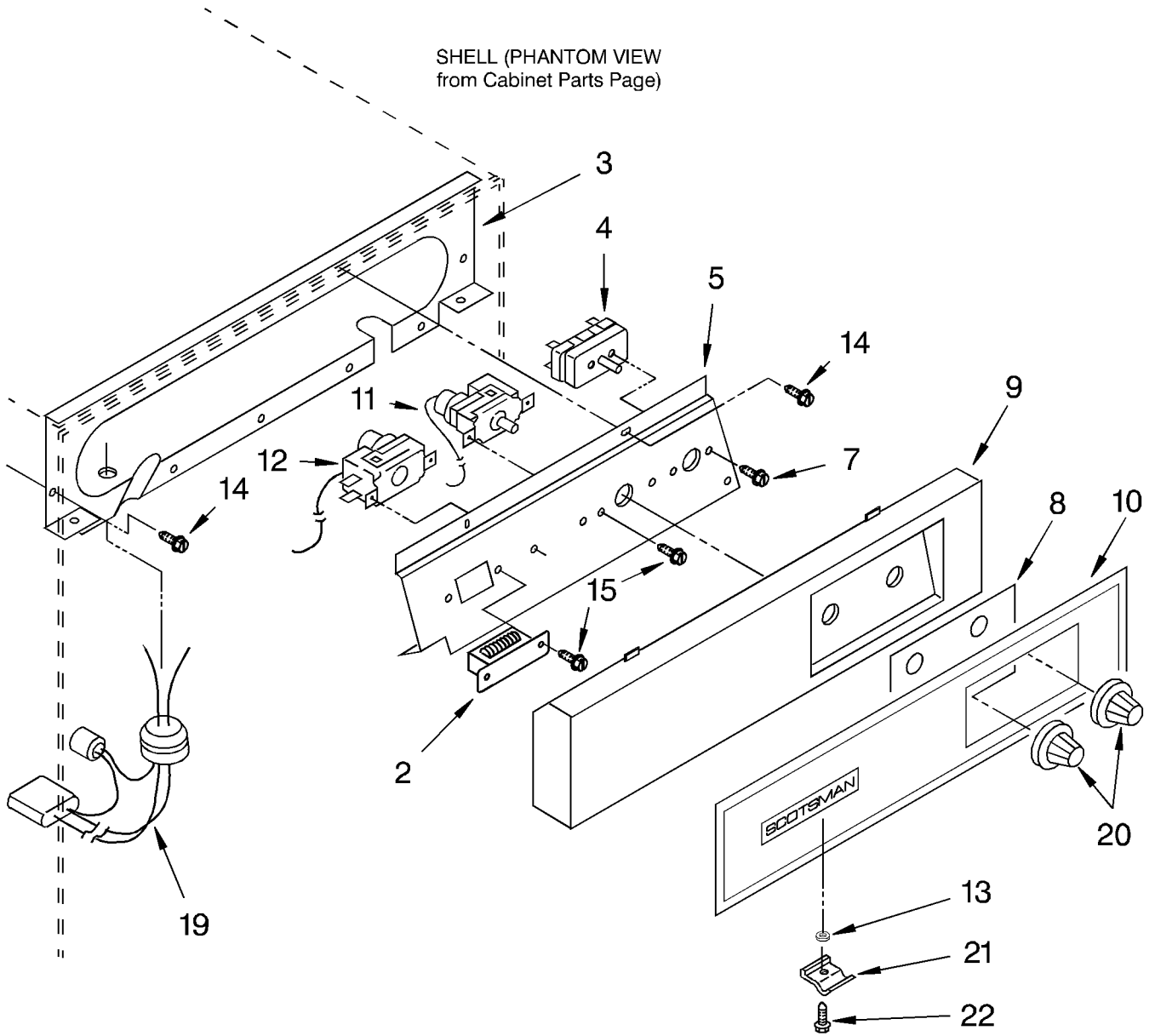


| | | |
|----|---------|---------------------------------------|
| 2 | 756124 | Cover, Plug |
| 3 | 681391 | Screw, 8-18 x 3/4 |
| 4 | 583155 | Housing, Motor |
| 5 | 587096 | Blade, Fan |
| 6 | 1127834 | Motor, Pump |
| 7 | 583424 | Washer |
| 8 | 756122 | Bracket, Pump |
| 9 | 596016 | Grommet (2) |
| 10 | 593229 | Sleeve |
| 11 | 681390 | Screw, 8-32 x 3/8 |
| 12 | 756782 | Pump, Water (Complete) |
| 13 | 583518 | Pump |
| 14 | 583426 | Impeller (Includes Retaining Ring 15) |
| 15 | 681301 | Ring, Retainer |

ESCUTCHEON AND CONTROL COMPONENTS

For Model: KUIS185DBL0

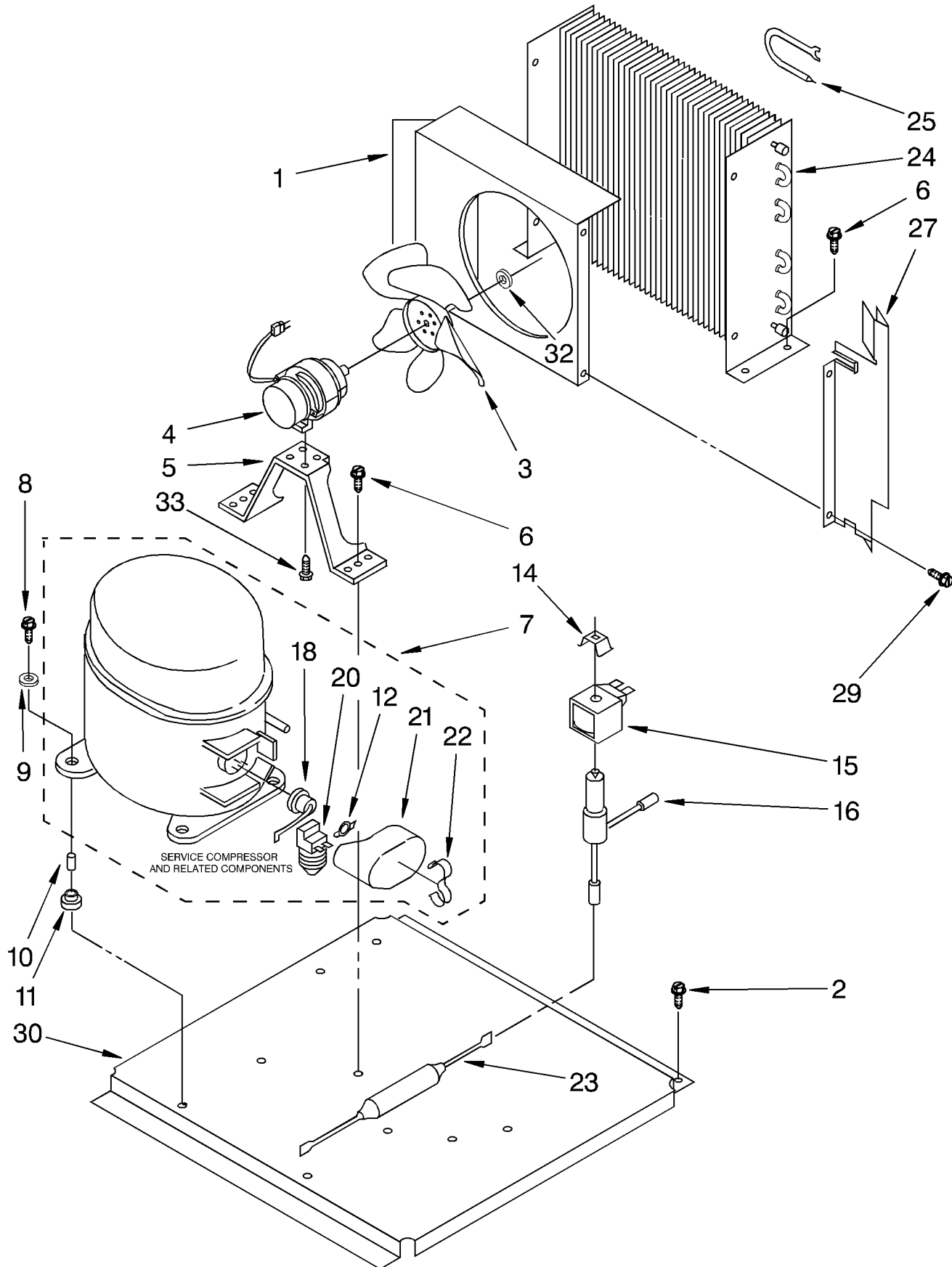
SHELL (PHANTOM VIEW
from Cabinet Parts Page)



| | | |
|----|---------|-------------------------|
| 2 | 2165483 | Transformer |
| 3 | 2165530 | Escutcheon, Panel |
| 4 | 2172893 | Switch, Service |
| 5 | 2172846 | Bracket, Control |
| 7 | 595005 | Screw, 8-32 x 1/4 |
| 8 | 2175680 | Decal, Control Panel |
| 9 | 2175678 | Escutcheon |
| 10 | 2175679 | Decal, Escutcheon |
| 11 | 759308 | Thermostat, Evaporator |
| 12 | 759309 | Thermostat, Bin Control |
| 13 | 681245 | Washer |
| 14 | 487909 | Screw #8 x 1/2 |
| 15 | 681036 | Screw |
| 19 | 758567 | Harness, Grid |
| 20 | 2175681 | Knob |
| 21 | 759007 | Latch |
| 22 | 680964 | Screw, 8-32 x 1/2 |

UNIT PARTS

For Model: KUIS185DBL0



SERVICE COMPRESSOR
AND RELATED COMPONENTS

| | | |
|----|---------|---------------------------|
| 1 | 757955 | Shroud |
| 2 | 680811 | Screw |
| 3 | 572728 | Blade, Fan |
| 4 | 1108089 | Motor, Fan |
| 5 | 560817 | Bracket |
| 6 | 681305 | Screw, 1/4-20 x 1/2 (6) |
| 7 | 758593 | Compressor |
| 8 | 680233 | Screw (4) |
| 9 | 595230 | Washer (4) |
| 10 | 585564 | Sleeve (4) |
| 11 | 596355 | Grommet (4) |
| 12 | | Spring, Overload |
| | 549086 | Service |
| 14 | 564234 | Clamp, Coil Retainer |
| 15 | 587970 | Coil, Solenoid |
| 16 | 598086 | Valve, Body |
| 18 | | Overload |
| | 758638 | Production |
| | 589231 | Service |
| 20 | | Relay, Start |
| | 758637 | Production |
| | 549337 | Service |
| 21 | | Cover, Terminal |
| | 1108115 | Production |
| | 549336 | Service |
| 22 | | Retainer, Cover |
| | 938384 | Production |
| | 549342 | Service |
| 23 | 755649 | Drier |
| 24 | 756299 | Condenser |
| 25 | 756298 | Accumulator |
| 27 | 758811 | Deflector, Front |
| 29 | 681167 | Screw, 8 x 3/8 |
| 30 | 758810 | Base, Unit |
| 32 | 681650 | Conical Washer 1/4-20 Hex |
| 33 | 489199 | Screw |

REFRIGERANT CHARGE 7.0 OZ.

Free Manuals Download Website

<http://myh66.com>

<http://usermanuals.us>

<http://www.somanuals.com>

<http://www.4manuals.cc>

<http://www.manual-lib.com>

<http://www.404manual.com>

<http://www.luxmanual.com>

<http://aubethermostatmanual.com>

Golf course search by state

<http://golfingnear.com>

Email search by domain

<http://emailbydomain.com>

Auto manuals search

<http://auto.somanuals.com>

TV manuals search

<http://tv.somanuals.com>