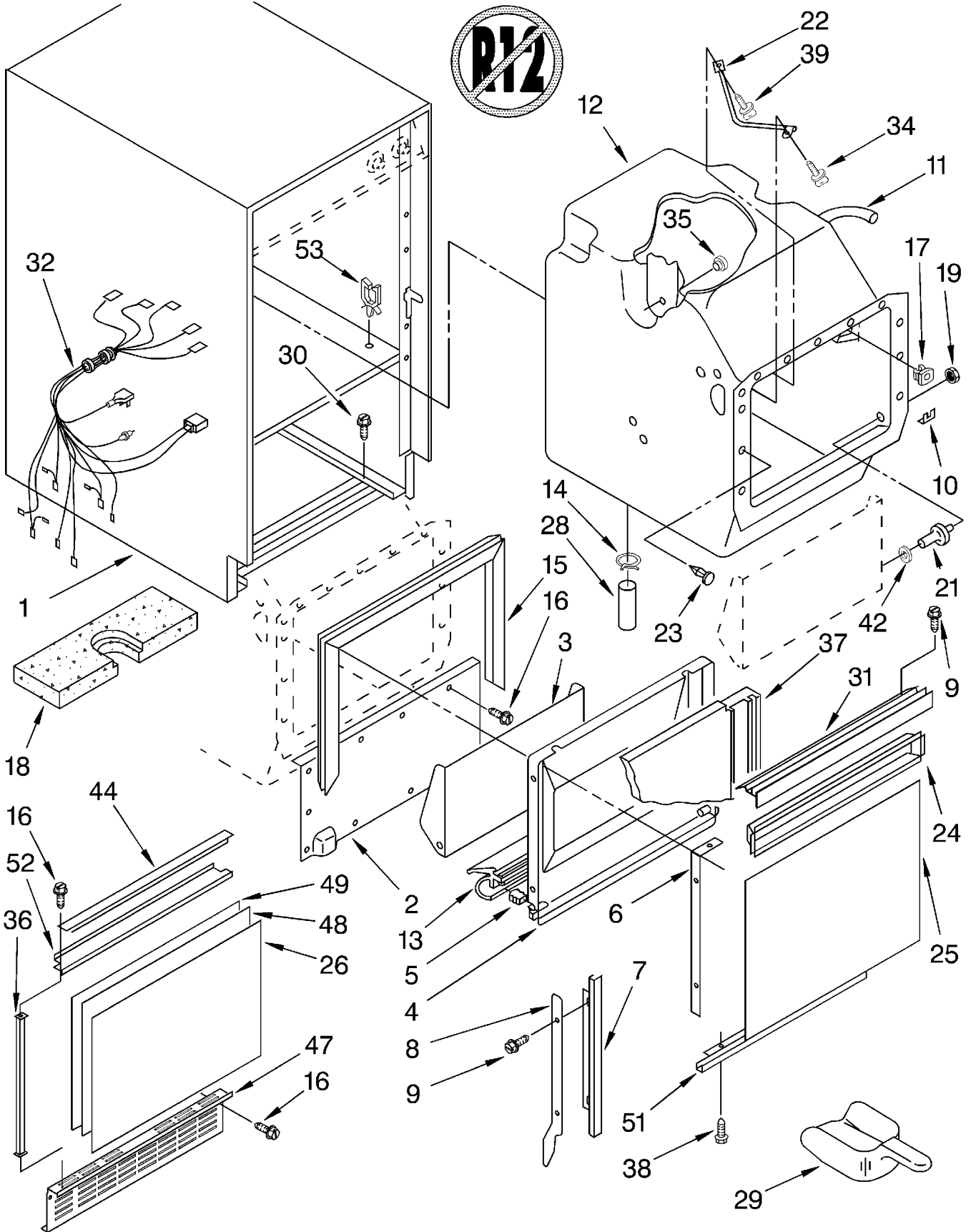


# CABINET LINER AND DOOR PARTS

For Model: KUIS185EWH1

ICE CUBE  
MAKER

## KitchenAid®



|    |         |  |
|----|---------|--|
| 1  | 2175636 | Shell  |
| 2  | 2175619 | Front, Shell                                     |
| 3  | 756330  | Door, Inner Bin                                  |
| 4  | 758655  | Liner, Door                                      |
| 5  | 593192  | Plug, Hinge                                      |
| 6  | 593104  | Strip, Tapping (2)                               |
| 7  | 2175667 | Trim, Door (2)                                   |
| 8  | 593184  | Rail, R.S.                                       |
|    | 593185  | Rail, L.S.                                       |
| 9  | 681459  | Screw, 8-32 x 5/8 (6)                            |
| 10 | 758492  | Washer (2)                                       |
| 11 | 759213  | Tube, Water Fill                                 |
| 12 | 2180752 | Liner (Includes Nos. 10, 11, 17, 19, 21, and 35) |
| 13 | 2172898 | Gasket, Bottom                                   |
| 14 | 596023  | Clamp (2)  |
| 15 | 758921  | Gasket   |
| 16 | 487909  | Screw #8 x 1/2                                   |
| 17 | 596807  | Grommet  |
| 18 | 756891  | Insulation, Bottom, Foam                         |
| 19 | 681542  | Nut  |
| 21 | 758220  | Stud (2)   |
| 22 | 593183  | Well, Bin Thermostat                             |
| 23 | 596812  | Clip, Panel (12)                                 |
| 24 | 2175669 | Pocket, Handle                                   |
| 25 | 758746  | Panel, Exterior                                  |
| 26 | 758720  | Panel, Outer                                     |
| 28 | 593577  | Connector, Hose                                  |
| 29 | 585158  | Scoop  |
| 30 | 680811  | Screw, 10-32 x 3/8                               |
| 31 | 2175668 | Handle, Recessed                                 |
| 32 | 2174781 | Harness, Cabinet                                 |
| 34 | 680930  | Thumbscrew, 10-1/2                               |
| 35 | 596715  | Well Nut (3)                                     |
| 36 | 2175671 | Trim, Side (2)                                   |
| 37 | 758608  | Insulation, Door                                 |
| 38 | 681196  | Screw  |
| 39 | 681419  | Thumbscrew                                       |
| 42 | 681613  | Washer   |
| 44 | 2175672 | Trim, Top And Bottom                             |
| 47 | 759132  | Grill, Front                                     |
| 48 | 758770  | Panel, Filler                                    |
| 49 | 758771  | Panel, Inner                                     |
| 51 | 2175666 | Trim, Door (Lower)                               |
| 52 | 2175604 | Support, Front                                   |
| 53 | 489482  | Retainer, Wire                                   |

FOLLOWING PARTS NOT ILLUSTRATED

|        |   |
|--------|---|
| 503695 | Sealer, Cork (1/4 Pound)                |
| 797403 | Cement, Insulation (1 Oz.)              |
| 505587 | Sealer, Mastic (1 Qt.)                  |
| 212643 | Sealer, Gum (22 Pcs. 3/16" x 7")        |
| 479976 | Kit, Insulation (5 Pcs. 3" x 24" x 48") |
| 978025 | Valve, Access (1/4")                    |
| 978026 | Valve, Access (5/16")                   |
| 978027 | Valve, Access (3/8")                    |
| 978028 | Valve, Access (1/2")                    |
| 978029 | Valve, Access (5/8")                    |

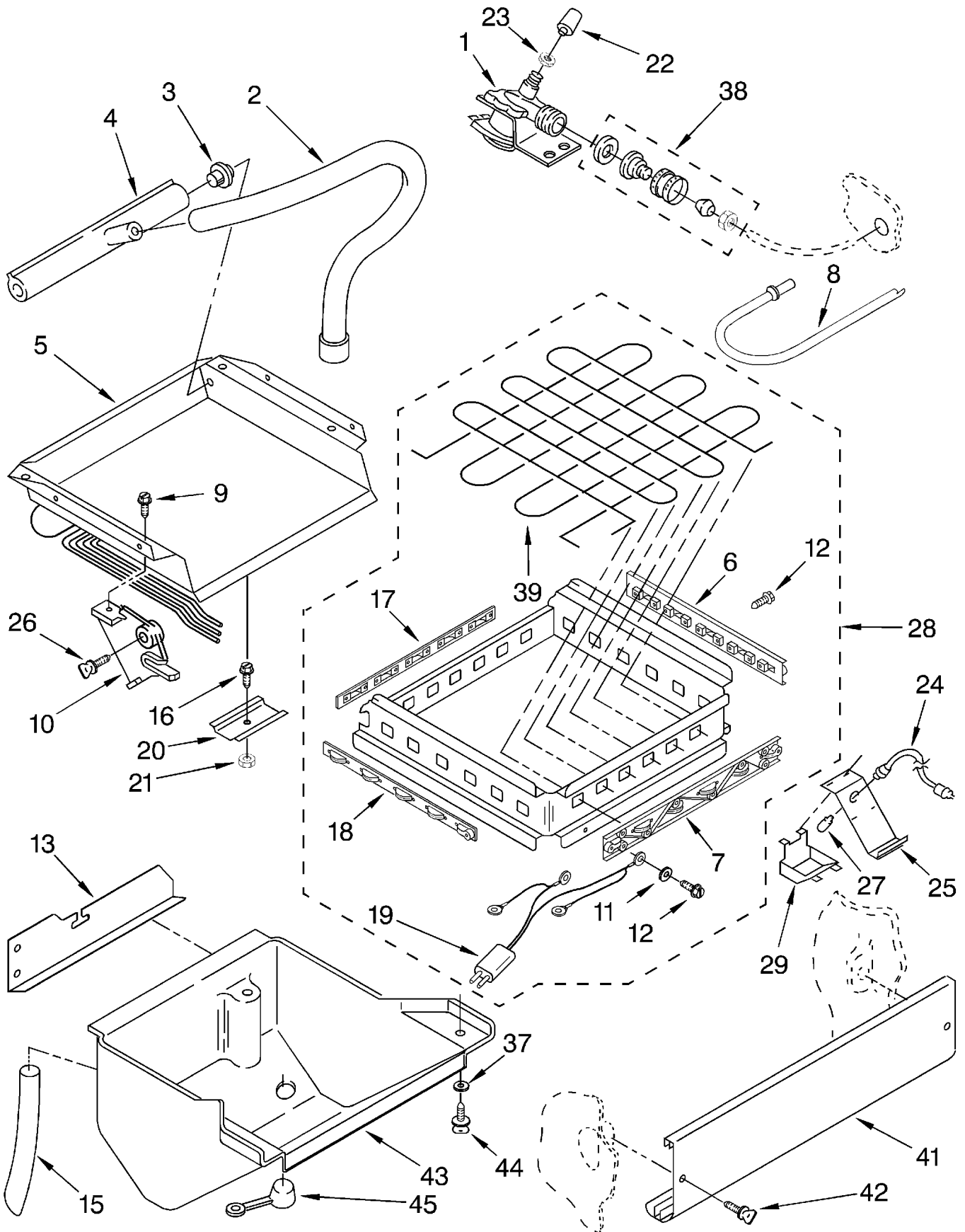
978030 Valve, Access (3/4")

LITERATURE PARTS

LIT2175674 Use & Care Guide  
LIT2175675 Instructions, Installation  
LIT2180830 Service and Wiring Sheet

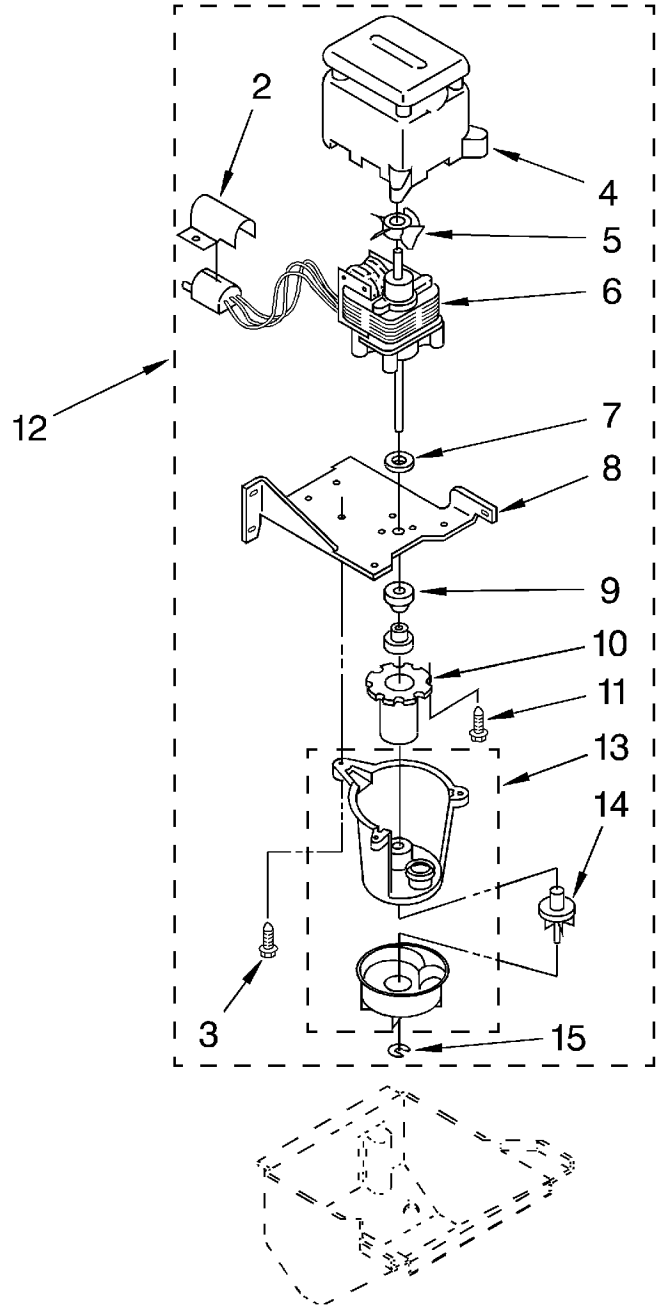
# EVAPORATOR, ICE CUTTER GRID AND WATER PARTS

For Model: KUIS185EWH1



|    |         |                            |
|----|---------|----------------------------|
| 1  | 759296  | Valve, Complete Water      |
| 2  | 585856  | Tube, Plastic              |
| 3  | 758597  | Plug (2)                   |
| 4  | 1129798 | Dispenser, Water           |
| 5  | 2181076 | Evaporator                 |
| 6  | 2174726 | Spacer, Adjustable (Side)  |
| 7  | 2174724 | Spacer, Adjustable (Front) |
| 8  | 759213  | Tube, Water Fill           |
| 9  | 489049  | Screw 10-12 x 1/2          |
| 10 | 756564  | Bracket, Grid Mounting (2) |
| 11 | 489013  | Washer, Plain              |
| 12 | 489443  | Screw                      |
| 13 | 585853  | Shelf, Water Pan           |
| 15 | 759109  | Hose, Overflow             |
| 16 | 596037  | Screw, 10-32 x 1/2         |
| 17 | 2174725 | Spacer, Fixed (Rear)       |
| 18 | 2174727 | Spacer, Fixed (Side)       |
| 19 | 2174750 | Harness, Grid              |
| 20 | 587662  | Clamp                      |
| 21 | 681676  | Nut, Wing                  |
| 22 | 841707  | Insert                     |
| 23 | 627018  | Nut & Sleeve Assembly      |
| 24 | 758488  | Harness, Light             |
| 25 | 758490  | Bracket, Lamp              |
| 26 | 681611  | Thumbscrew                 |
| 27 | 745362  | Bulb                       |
| 28 | 2174752 | Grid Assembly (Complete)   |
| 29 | 758489  | Shield, Light              |
| 37 | 681245  | Washer                     |
| 38 | 2165477 | Adapter                    |
| 39 | 2174754 | Wire, Grid Cutter          |
| 41 | 593171  | Panel, Grid                |
| 42 | 681534  | Thumbscrew, 10-32 x 5/8    |
| 43 | 756659  | Pan                        |
| 44 | 681419  | Thumbscrew, 10 x 1/2       |
| 45 | 759043  | Stopper, Water Pan         |

PUMP PARTS  
For Model: KUIS185EWH1

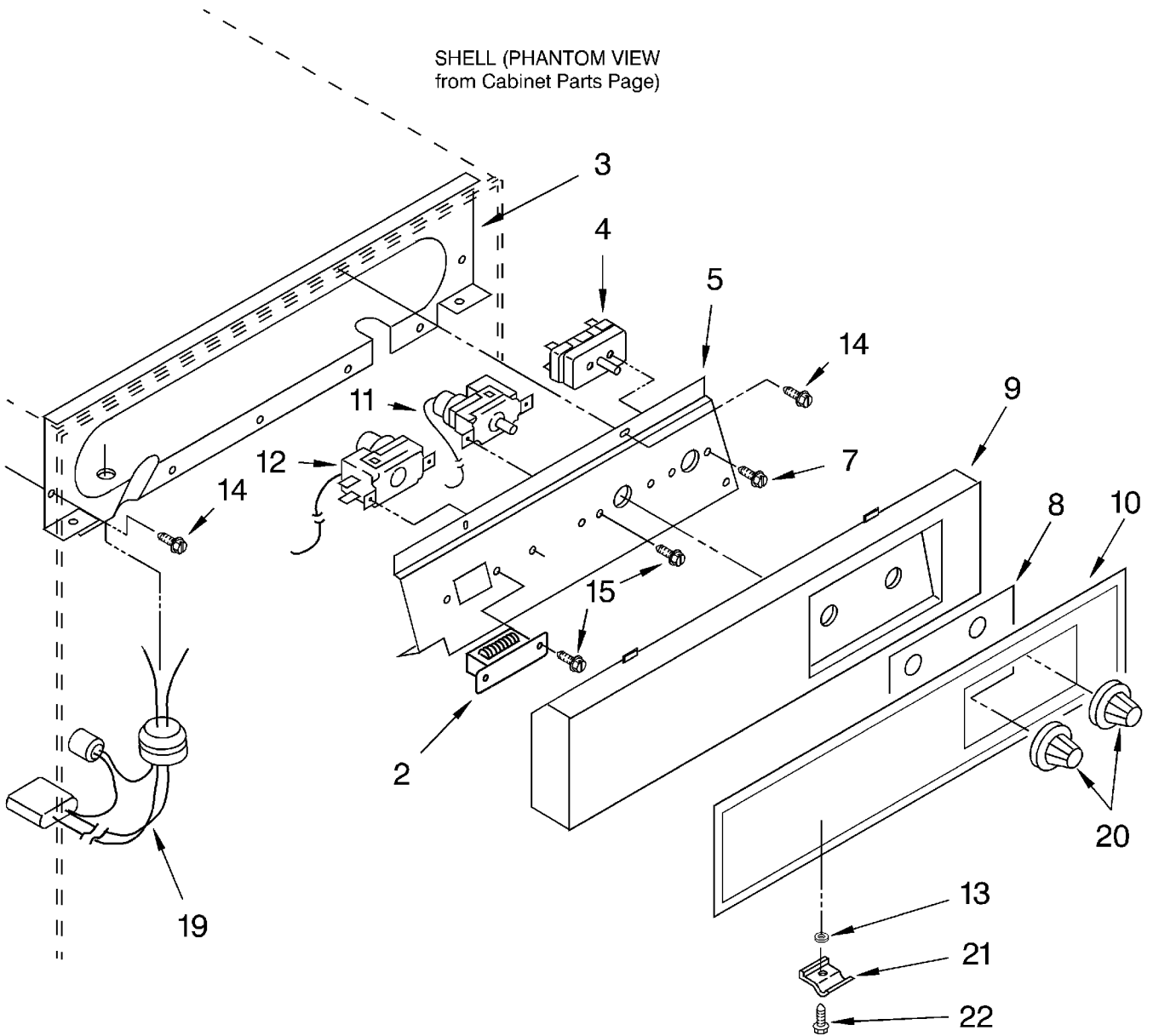


|    |         |                                       |
|----|---------|---------------------------------------|
| 2  | 756124  | Cover, Plug                           |
| 3  | 681391  | Screw, 8-18 x 3/4                     |
| 4  | 583155  | Housing, Motor                        |
| 5  | 587096  | Blade, Fan                            |
| 6  | 1127834 | Motor, Pump                           |
| 7  | 583424  | Washer                                |
| 8  | 756122  | Bracket, Pump                         |
| 9  | 596016  | Grommet (2)                           |
| 10 | 593229  | Sleeve                                |
| 11 | 681390  | Screw, 8-32 x 3/8                     |
| 12 | 756782  | Pump, Water (Complete)                |
| 13 | 583518  | Pump                                  |
| 14 | 583426  | Impeller (Includes Retaining Ring 15) |
| 15 | 681301  | Ring, Retainer                        |

# ESCUTCHEON AND CONTROL COMPONENTS

For Model: KUIS185EWH1

SHELL (PHANTOM VIEW  
from Cabinet Parts Page)

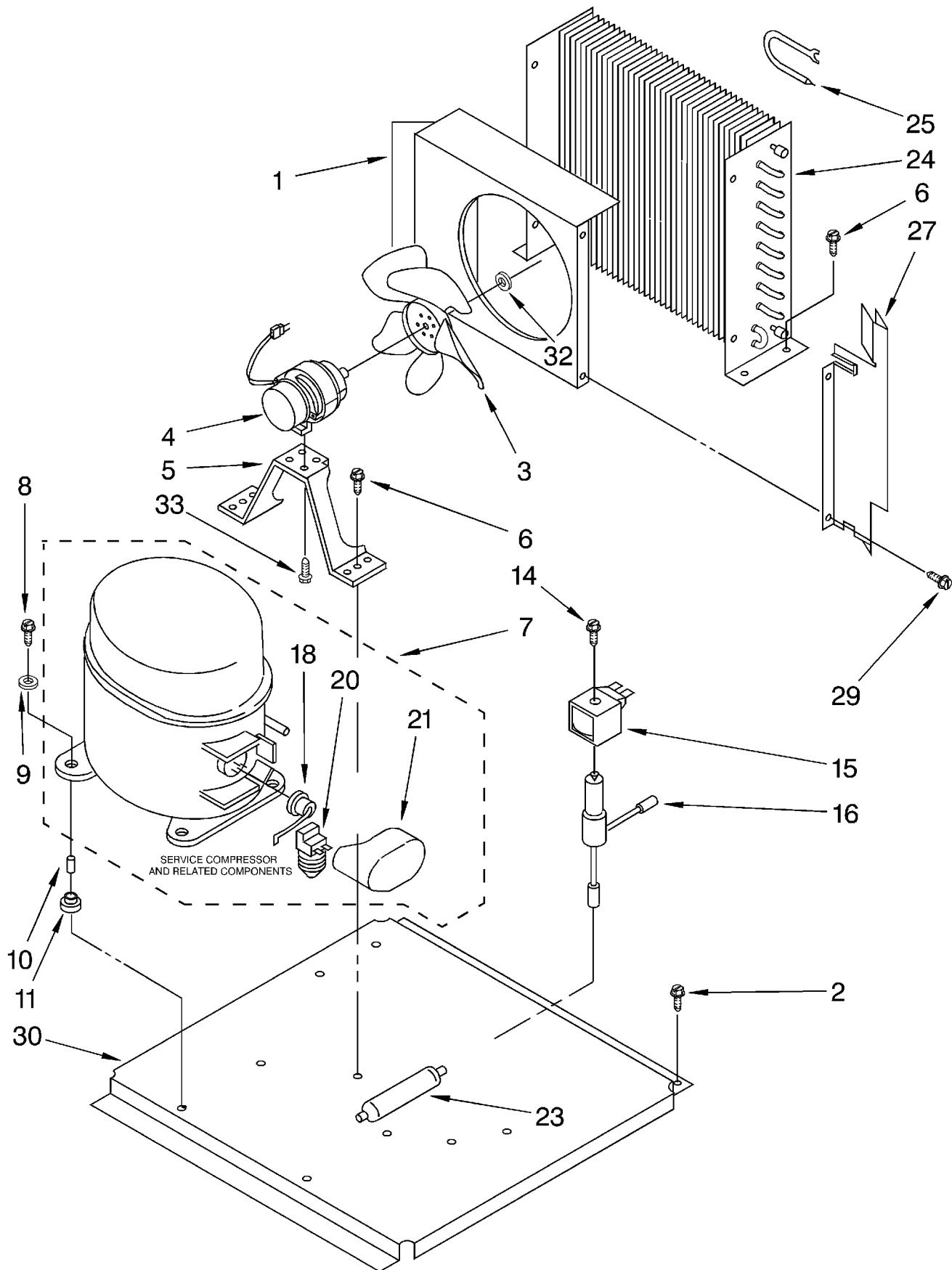




|    |         |                         |
|----|---------|-------------------------|
| 2  | 2165483 | Transformer             |
| 3  | 2165530 | Escutcheon, Panel       |
| 4  | 2172893 | Switch, Service         |
| 5  | 2172846 | Bracket, Control        |
| 7  | 595005  | Screw, 8-32 x 1/4       |
| 8  | 2175663 | Decal, Control Panel    |
| 9  | 2175661 | Escutcheon              |
| 10 | 2175662 | Decal, Escutcheon       |
| 11 | 759308  | Thermostat, Evaporator  |
| 12 | 759309  | Thermostat, Bin Control |
| 13 | 681245  | Washer                  |
| 14 | 487909  | Screw #8 x 1/2          |
| 15 | 681036  | Screw                   |
| 19 | 758567  | Harness, Grid           |
| 20 | 2175664 | Knob                    |
| 21 | 759123  | Latch                   |
| 22 | 680964  | Screw, 8-32 x 1/2       |

# UNIT PARTS

For Model: KUIS185EWH1



|    |         |                           |
|----|---------|---------------------------|
| 1  | 2180948 | Shroud                    |
| 2  | 680811  | Screw                     |
| 3  | 572728  | Blade, Fan                |
| 4  | 1108089 | Motor, Fan                |
| 5  | 560817  | Bracket                   |
| 6  | 681305  | Screw, 1/4-20 x 1/2 (6)   |
| 7  | 2176659 | Compressor                |
| 8  | 680233  | Screw (4)                 |
| 9  | 595230  | Washer (4)                |
| 10 | 585564  | Sleeve (4)                |
| 11 | 596355  | Grommet (4)               |
| 14 | 489472  | Screw                     |
| 15 | 759112  | Coil, Solenoid            |
| 16 | 759113  | Valve, Body               |
| 18 | 2183404 | Overload                  |
| 20 | 2183410 | Relay, Start              |
| 21 | 2162358 | Cover, Terminal           |
| 23 | 2180801 | Drier                     |
| 24 | 2180808 | Condenser                 |
| 25 | 2180807 | Accumulator               |
| 27 | 758811  | Deflector, Front          |
| 29 | 681167  | Screw, 8 x 3/8            |
| 30 | 2180938 | Base, Unit                |
| 32 | 681650  | Conical Washer 1/4-20 Hex |
| 33 | 489199  | Screw                     |

REFRIGERANT CHARGE 6.75 OZ. (R134A)

## Free Manuals Download Website

<http://myh66.com>

<http://usermanuals.us>

<http://www.somanuals.com>

<http://www.4manuals.cc>

<http://www.manual-lib.com>

<http://www.404manual.com>

<http://www.luxmanual.com>

<http://aubethermostatmanual.com>

Golf course search by state

<http://golfingnear.com>

Email search by domain

<http://emailbydomain.com>

Auto manuals search

<http://auto.somanuals.com>

TV manuals search

<http://tv.somanuals.com>