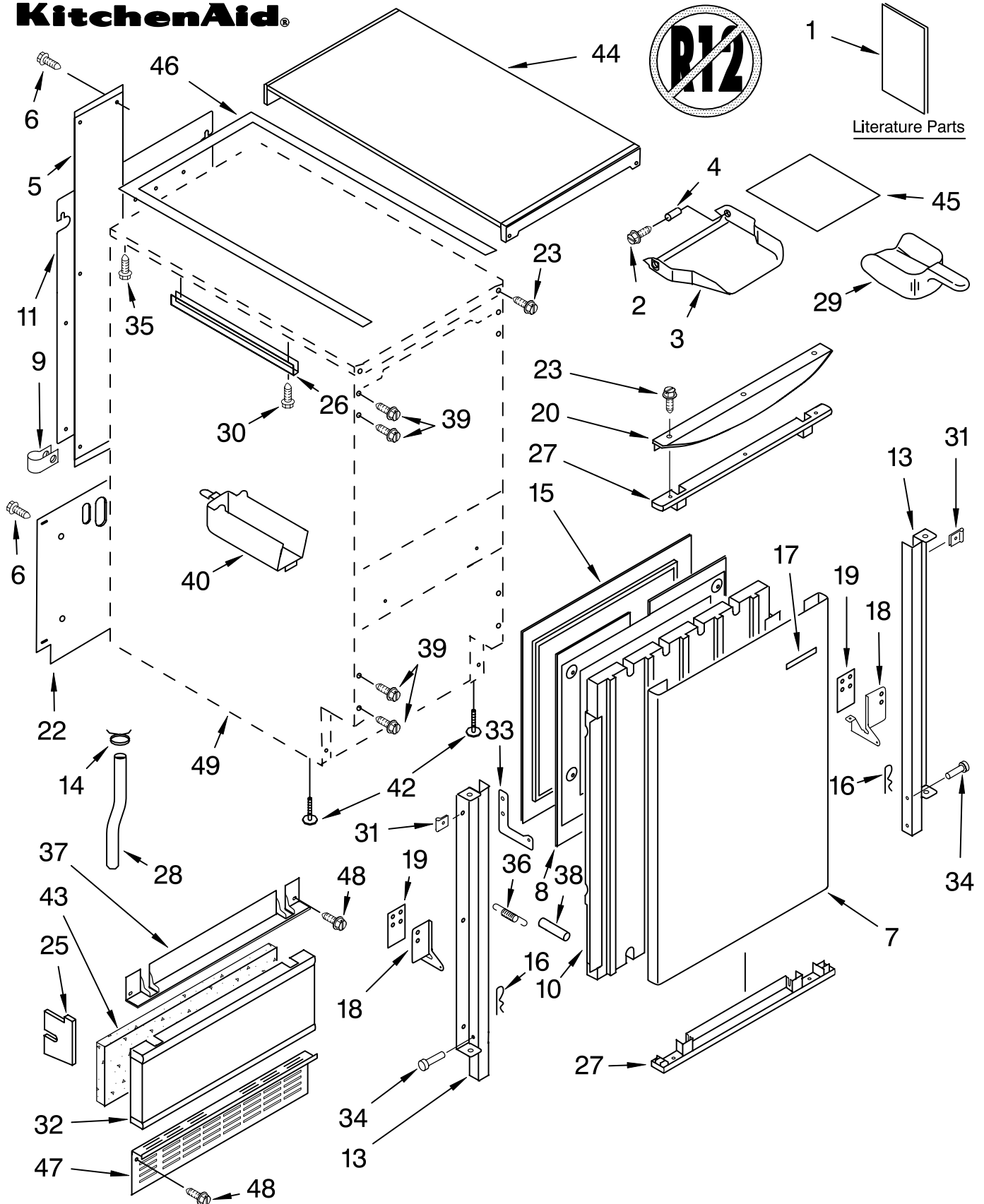


CABINET LINER AND DOOR PARTS

For Models: KUIS18NNJW3, KUIS18NNJT3, KUIS18NNJB3, KUIS18NNJS3
(WHITE) (BISCUIT) (BLACK) (STAINLESS STEEL)

ICE CUBE
MAKER

KitchenAid



FOR ORDERING INFORMATION REFER TO PARTS PRICE LIST

CABINET LINER AND DOOR PARTS

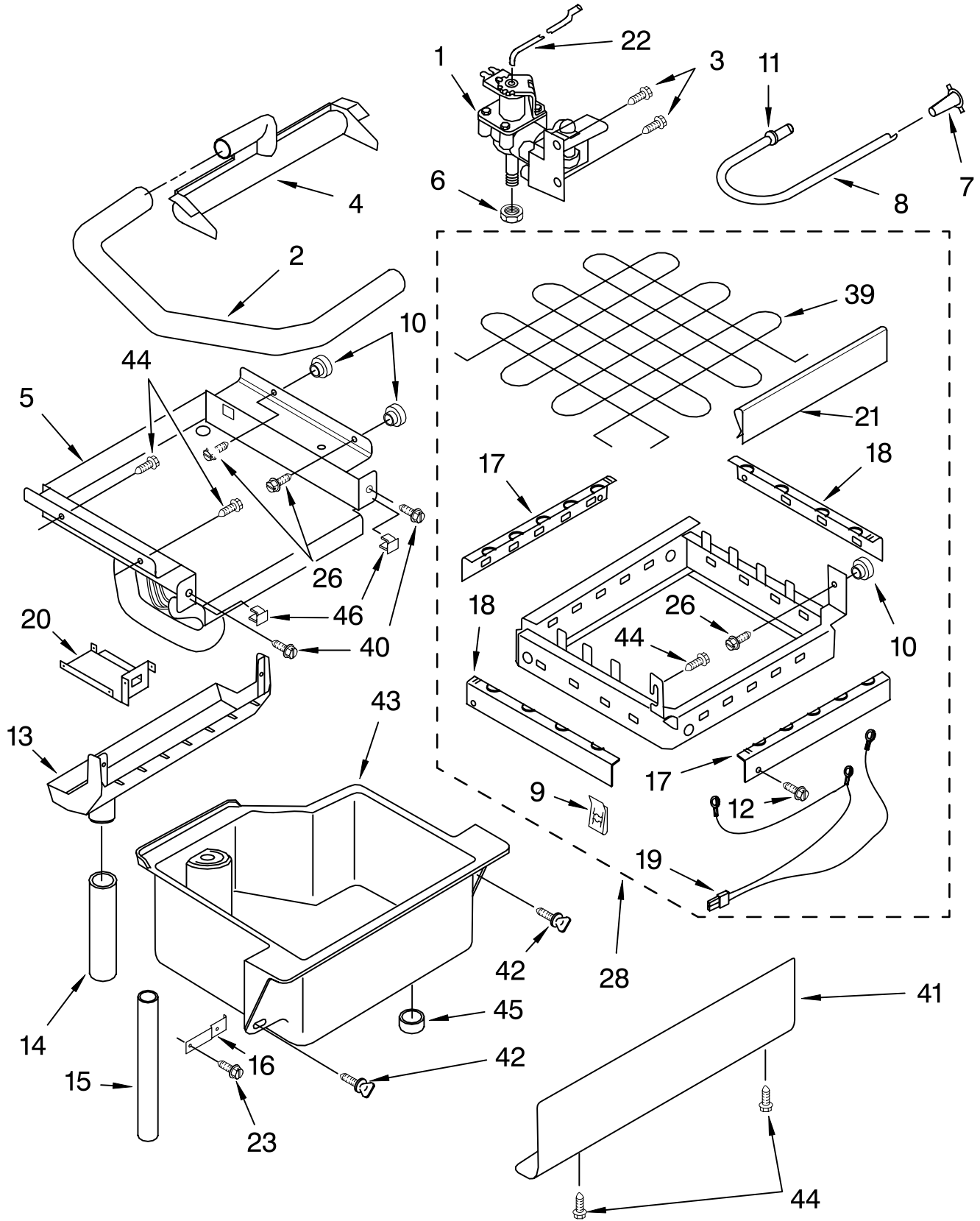
For Models: KUIS18NNJW3, KUIS18NNJT3, KUIS18NNJB3, KUIS18NNJS3
(WHITE) (BISCUIT) (BLACK) (STAINLESS STEEL)

Illus. No.	Part No.	DESCRIPTION	Illus. No.	Part No.	DESCRIPTION	Illus. No.	Part No.	DESCRIPTION
1	LIT2217251	Literature Parts Use & Care Guide	25	2217225	Pad, Foam	Parts Not Illustrated and Optional Parts (Not Included)		
	LIT2217232	Service & Wiring Sheet	26	2185691	Channel, Wiring			
2	3400886	Screw 8-18 X 1 1/4	27	2208350W	Endcap, Door (White)	8171307		Cleaner, Icemaker
3	2208354	Bin, Door		2208350B	(Black)	503695		Sealer, Cork (1/4 Pound)
4	2185678	Spacer	28	2208350T	(Biscuit)	797403		Cement, Insulation (1 Oz.)
5	2185575	Cover, Wiring	29	2208453	Tube, Drain	505587		Sealer, Mastic (1 Qt.)
6	489442	Screw	30	2208386	Scoop	212643		Sealer, Gum (22 Pcs. 3/16" x 7")
7	2208352W	Panel, Exterior (White)	31	3400884	Screw 8-18 X 5/8	479976		Kit, Insulation (5 Pcs. 3" x 24" x 48")
	2208352T	(Biscuit)	32	2208421	Clip	978025		Valve, Access (1/4")
	2208352B	(Black)		2208382W	Panel, Lower (White)	978026		Valve, Access (5/16")
	2208352S	(Stainless Steel)		2208382B	(Black)	978027		Valve, Access (3/8")
8	2208353	Panel, Interior		2208382T	(Biscuit)	978028		Valve, Access (1/2")
9	489385	Clamp, Tube		2208382S	(Stainless Steel)	978029		Valve, Access (5/8")
10	2208377	Insulation	33	2208487	Bracket, Spring	978030		Valve, Access (3/4")
11	2217227	Ballast-Back, I.M.	34	2208417	Pin, Hinge			
13	2208376	Bracket, Door (Left Side)	35	489048	Screw, Ground 8-32 X 1/2			
	2208375	(Right Side)	36	2208480	Spring, Hinge			
14	2208483	Clamp	37	2208383W	Endcap, Panel (White)			
15	2217295	Gasket, Door		2208383B	(Black)			
16	2208535	Clip		2208383T	(Biscuit)			
17	2212760	Nameplate (White)	38	2208529	Dampener, Spring			
	2212761	(Biscuit)	39	489423	Screw 10-32X11/16			
	2212762	(Black)	40	2208449	Holder, Scoop			
18	2208425	Hinge (Left Side)	42	3376439	Leg, Leveler			
	2208426	(Right Side)	43	2208384	Insulation			
19	2208401	Shim, Hinge	44	2929701W	Top (White)			
20	2208440W	Handle, Door (White)		2929701T	Biscuit			
	2208440T	(Biscuit)		2929701B	Black			
	2208440B	(Black)	45	2185690	Shield, Electrical			
22	2208399	Assembly, Unit Cover	46	2217296	Gasket, Top Panel			
23	8281188	Screw, Handle (White)	47	2217206W	Grill, Front (White)			
	8281187	(Biscuit)		2217206T	(Biscuit)			
	8281186	(Black)		2217206B	(Black)			
			48	489474	Screw 8-18 X 1			
			49		Cabinet & Liner (NOT SERVICED)			

FOR ORDERING INFORMATION REFER TO PARTS PRICE LIST

EVAPORATOR, ICE CUTTER GRID AND WATER PARTS

For Models: KUIS18NNJW3, KUIS18NNJT3, KUIS18NNJB3, KUIS18NNJS3
(WHITE) (BISCUIT) (BLACK) (STAINLESS STEEL)



FOR ORDERING INFORMATION REFER TO PARTS PRICE LIST

EVAPORATOR, ICE CUTTER GRID AND WATER PARTS

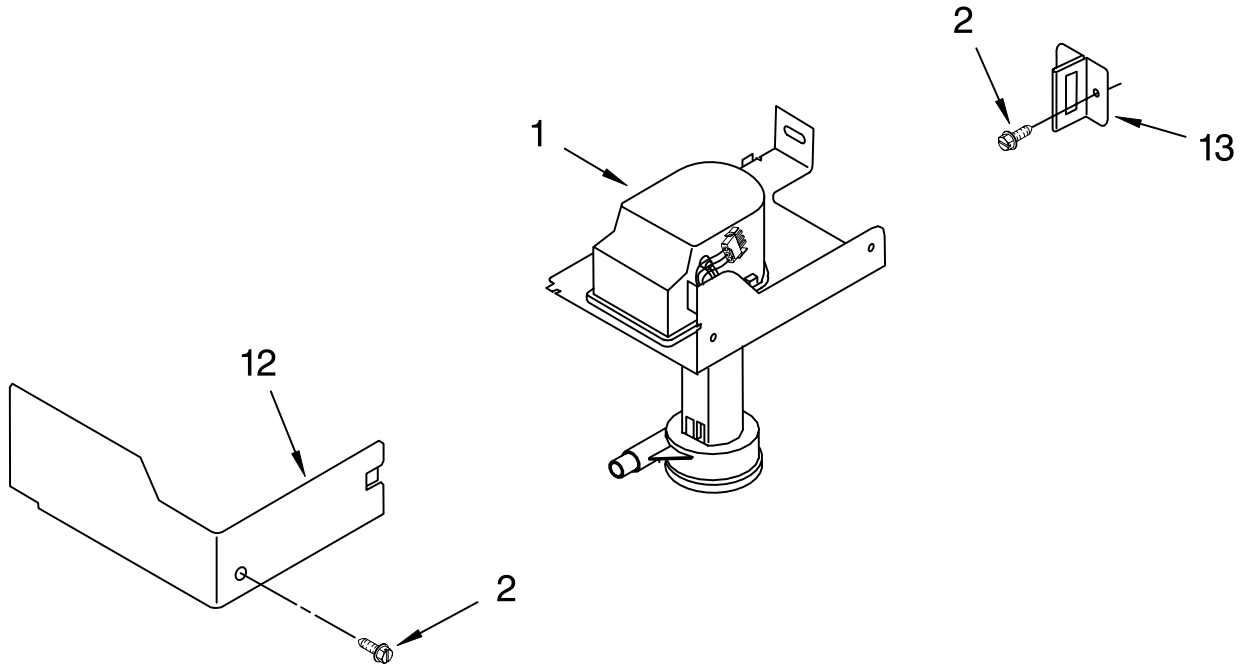
For Models: KUIS18NNJW3, KUIS18NNJT3, KUIS18NNJB3, KUIS18NNJS3
 (WHITE) (BISCUIT) (BLACK) (STAINLESS STEEL)

Illus. No.	Part No.	DESCRIPTION
1	2185758	Valve, Complete Water
2	2217286	Tube, Plastic
3	488687	Screw 8-15 X 5/8
4	2185523	Dispenser, Water
5	2217269	Evaporator
6	627018	Nut, Compression
7	841707	Insert, Tube
8	2172593	Tube, Water Fill
9	488660	Nut, Speed
10	836667	Spacer
11	2208539	Fastener, Pushnut
12	489443	Screw
13	2185625	Reservoir, Water Slide
14	2185626	Tube
15	2185673	Hose, Overflow
16	2208372	Support, Reservoir Bracket
17	2185615	Bracket, Front and Rear
18	2185611	Bracket, Side Left and Right
19	2185681	Harness, Grid
20	2208427	Support, Bracket Evaporator/Grid
21	2217310	Guide, Ice Grid
22	2208533	Tube
23	8281193	Screw
26	3400886	Screw 8-18 X 1 1/4
28	2185614	Grid Assembly (Complete)
39	2174754	Wire, Grid Cutter
40	8281192	Screw
41	2208365	Cover, Grid
42	8281228	Thumbscrew
43	2185624	Reservoir, Water
44	3400884	Screw 8-18 X 5/8
45	2185696	Cap, Drain
46	3400909	Nut, Push-In

FOR ORDERING INFORMATION REFER TO PARTS PRICE LIST

PUMP PARTS

For Models: KUIS18NNJW3, KUIS18NNJT3, KUIS18NNJB3, KUIS18NNJS3
 (WHITE) (BISCUIT) (BLACK) (STAINLESS STEEL)

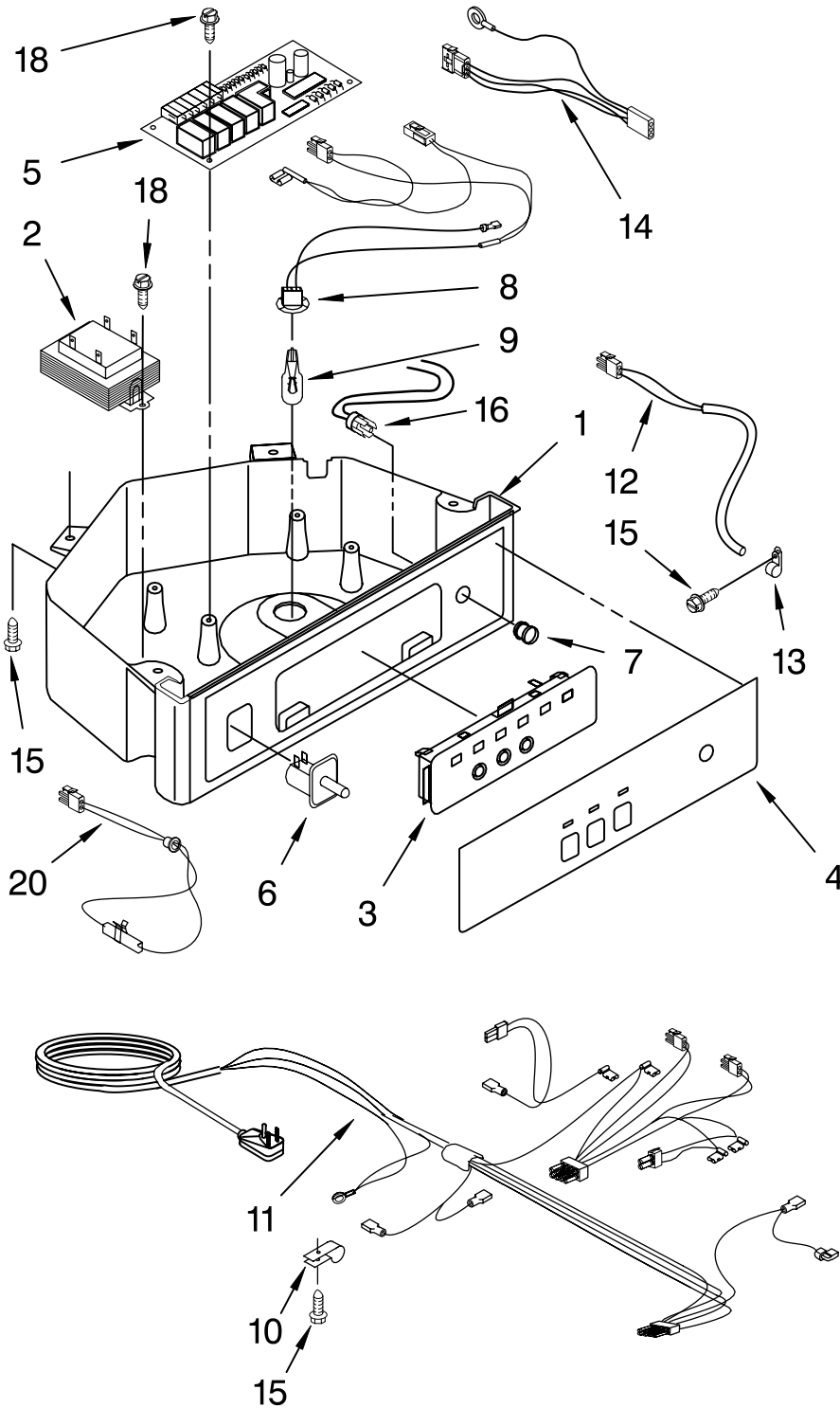


Illus. No.	Part No.	DESCRIPTION
1	2217220	Pump, Water (Complete)
2	3400884	Screw 8-18 X 5/8
12	2185677	Cover, Pump
13	2185585	Bracket, Connector Assembly

FOR ORDERING INFORMATION REFER TO PARTS PRICE LIST

CONTROL PANEL PARTS

For Models: KUIS18NNJW3, KUIS18NNJT3, KUIS18NNJB3, KUIS18NNJS3
(WHITE) (BISCUIT) (BLACK) (STAINLESS STEEL)

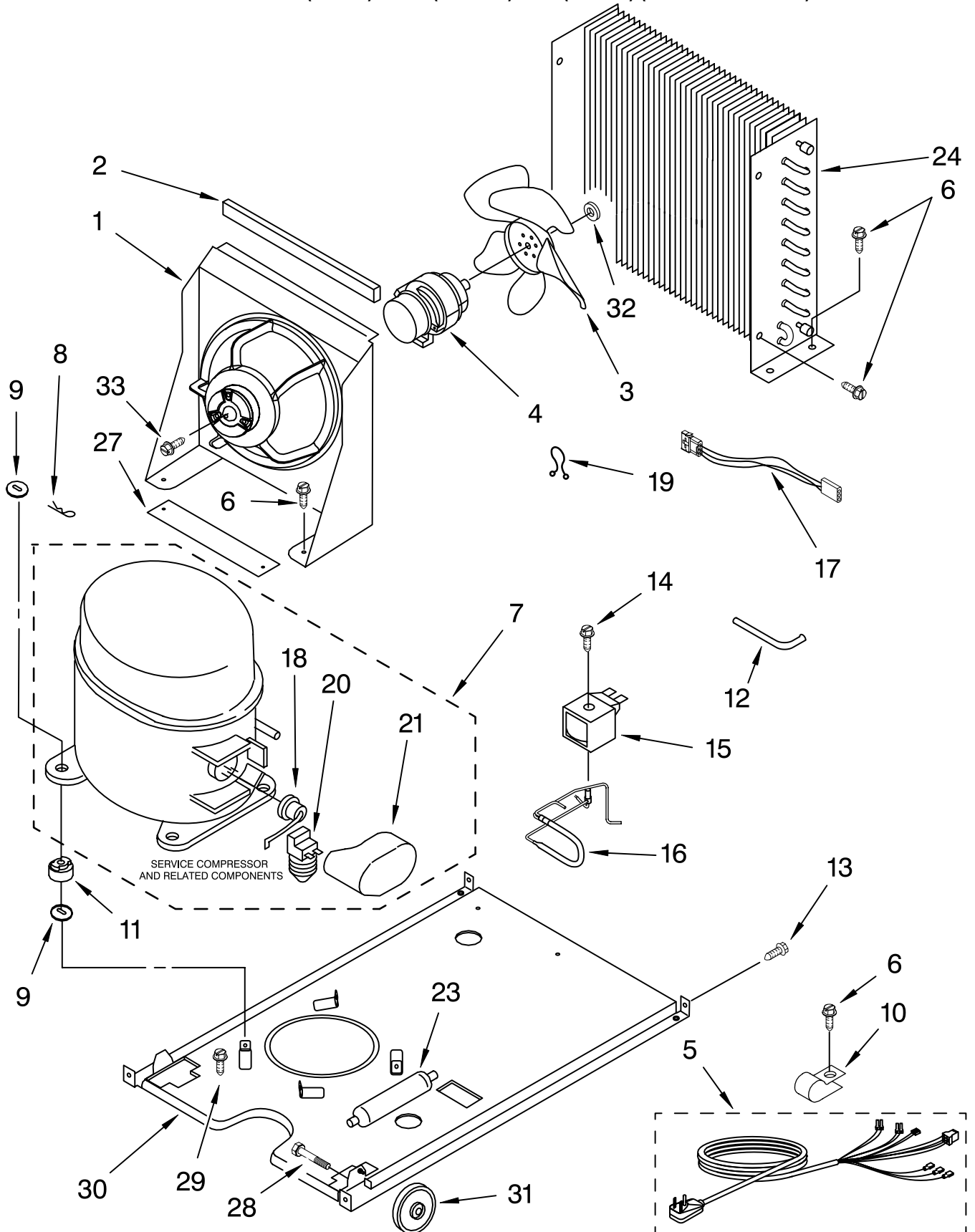


Illus. No.	Part No.	DESCRIPTION
1	2185738	Box, Control
2	2185657	Transformer
3	2185592	Assembly, Switch (ALSO ORDER #4)
4	2208317W	Overlay
5	6100499	P.C. Board
6	2149705	Switch, Plunger
7	2185694	Lens, LED
8	2185692	Wiring Harness Grid/ Light
9	745362	Bulb
10	2185788	Clamp
11	2187286	Wiring Harness, Complete Unit (Includes Power Cord)
12	2217288	Thermostat, Bin
13	2185825	Clamp
14	2185703	Wiring Harness, Main to Pump,
15	3400884	Screw 8-18 X 5/8
16	2187256	LED Assembly
18	3400850	Screw 8-16 X 3/8
20	2217289	Thermister, Ice Control

FOR ORDERING INFORMATION REFER TO PARTS PRICE LIST

UNIT PARTS

For Models: KUIS18NNJW3, KUIS18NNJT3, KUIS18NNJB3, KUIS18NNJS3
(WHITE) (BISCUIT) (BLACK) (STAINLESS STEEL)



FOR ORDERING INFORMATION REFER TO PARTS PRICE LIST

UNIT PARTS

For Models: KUIS18NNJW3, KUIS18NNJT3, KUIS18NNJB3, KUIS18NNJS3
(WHITE) (BISCUIT) (BLACK) (STAINLESS STEEL)

<u>Illus.</u> <u>No.</u>	<u>Part</u> <u>No.</u>	<u>DESCRIPTION</u>
1	2185532	Bracket, Fan Mtg.
2	2185675	Pad, Foam
3	2190685	Blade, Fan
4	2188537	Motor, Fan
5		Wiring Harness, Complete Unit (See #11 On Control Panel Parts Page)
6	304392	Screw 8-18 X 1/2
7	2208370	Compressor
8	A201435	Clip, Mounting
9	A201441	Shim (4)
10	2185960	Clamp (Power Cord)
11	2217318	Grommet (4)
12	2208415	Tube, Process
13	489423	Screw
14	489472	Screw
15	759112	Coil, Solenoid
16	2208413	Valve, Body
17	2187267	Wiring Harness, Condenser Fan
18	2217223	Overload
19	2217322	Twist Loc
20	2217224	Relay, Start
21	2208371	Cover, Terminal
23	2209223	Drier
24	2185529	Condenser
27	2185858	Pad, Foam (2)
28	3370389	Screw 10-32X15/16
29	488500	Screw, Ground 8-32 X 3/8
30	2217205	Base, Unit
31	302819	Wheel
32	486692	Nut, Speed
33	489494	Screw 8-32 X 3/4

REFRIGERANT CHARGE

6.5 OZ. (R134A)



FOR ORDERING INFORMATION REFER TO PARTS PRICE LIST

Free Manuals Download Website

<http://myh66.com>

<http://usermanuals.us>

<http://www.somanuals.com>

<http://www.4manuals.cc>

<http://www.manual-lib.com>

<http://www.404manual.com>

<http://www.luxmanual.com>

<http://aubethermostatmanual.com>

Golf course search by state

<http://golfingnear.com>

Email search by domain

<http://emailbydomain.com>

Auto manuals search

<http://auto.somanuals.com>

TV manuals search

<http://tv.somanuals.com>