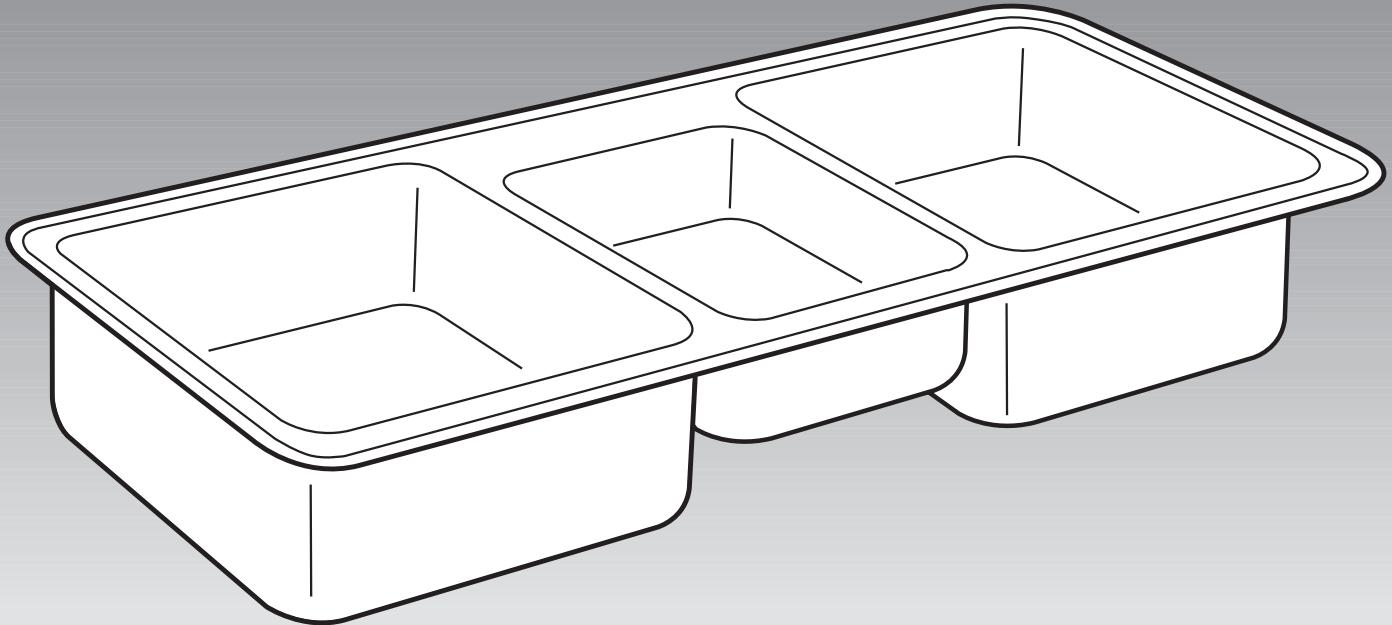


# **KitchenAid™**

## **Top Mount Sinks**



## **Installation Instructions and Use & Care Guide**

### **Quick Reference Table of Contents:**

#### **Pages**

- 2** Tools and Parts
- 2** Installation Requirements
- 3** Installation Instructions
- 4** Use & Care Guide
- 4** Warranty
- 5** Requesting Assistance or Service

# Installation requirements...

## Tools and Parts:

Assemble the required tools and parts before starting installation. Read and follow the instructions provided with any tools listed here.

### Tools needed:

This section does not include new installations in solid surface countertops. See "Countertop Requirements" section.

- **drill**
- **3/8" drill bit**
- **jigsaw**
- **file**
- **tape measure**
- **pencil**
- **long-handled Philips screwdriver**
- **long-handled flat blade screwdriver**
- **silicone sealant\***

\*Silicone caulk/sealant must meet the qualifications of ASTM C920, FDA regulation no. 21, CFR 177.2600, NSF-51, Dow Corning® 786 is recommended.

### Parts and materials needed:

- **faucet with check valve and accompanying plumbing supplies as needed**
- **strainer basket**

### Parts supplied:

- **sink**
- **sink template**
- **sink mounting hardware (clamps)**
- **Installation Instructions/Use and Care Guide**

## Plumbing requirements

Sink should be plumbed to local plumbing codes.

All plumbing connections should be made by licensed, qualified plumbers.

## Countertop requirements

The thickness of the countertop must not be more than 1-1/2" (38 mm) thick at the sink rim.

Solid surface countertop installations must be performed by a qualified fabricator/installer with appropriate tools.

# Installation Instructions...

- As with all metal objects, follow proper handling techniques.
- The sink installation must comply with national and local plumbing codes and ordinances
- This sink should be examined for damage prior to installation. Do not install a damaged sink. Return the sink to the dealer from whom you purchased it. Failure to do so will void the warranty.

## Clamp positions

All provided clamps have two positions.

The **install** position refers to the position of the hardware, as it is attached or attaches to the sink, when the claw portion is NOT pointed to the outer edges of the sink rim. This position allows the sink to fit through the countertop opening.

The **mount** position refers to the hardware, as it is attached or attaches to the sink, with the claw portion pointed toward the outer edges of the sink rim. This position allows the sink to be clamped to the countertop via the claws.

## Installing in countertop

### Prepare countertop:

- 1.** Locate template in sink package (NOTE: If no template is provided contact KitchenAid, see "Requesting Assistance or Service" section). Set template on countertop surface in desired position. Hold template down firmly and trace around the template with a pencil onto the countertop. Remove the template.
- 2.** Drill a 3/8" pilot hole on the **inside** edge of the line that was traced onto the countertop. Set jigsaw blade into the pilot hole and cut along the outline traced on the countertop.

### Prepare the sink:

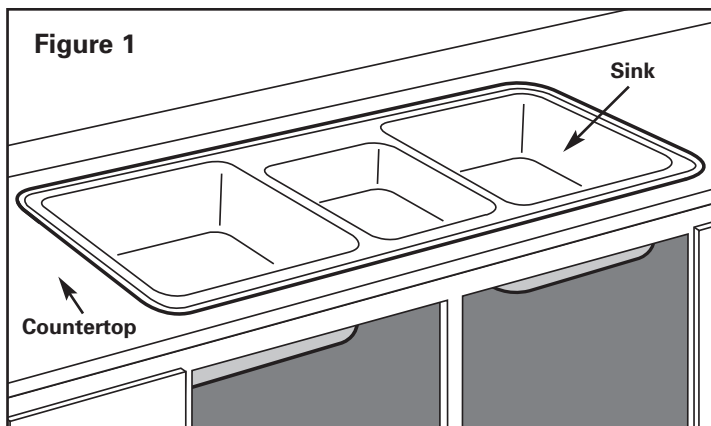
- 3.** Remove any protective film, plastic bag and/or tape from the sink.

### Install hardware:

- 4.** Assemble clamps, attach the assembled clamps to the sink in their install positions (claws resting against sink or pointing away from the countertop).

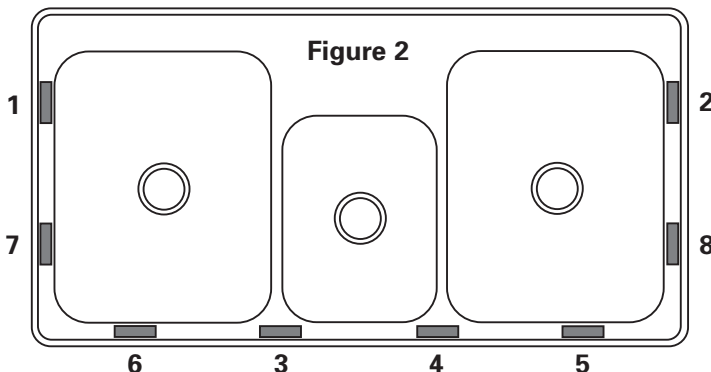
### Check sink fit/adjust:

- 5.** Set the sink into the countertop opening in the desired position (see Figure 1). The countertop opening may need to be adjusted for the sink. Proper fit may be accomplished with the jigsaw and /or file. Care should be taken not to chip or crack the countertop material by aggressive filing or sawing. The sink rim should rest evenly on the countertop. Remove sink, turn upside down and proceed to step 6.



### Install sink:

- 6.** Place a continuous bead of silicone sealant around the entire perimeter of the sink rim. Lift the sink, turn it right side up, and lower back into the countertop cutout opening in the desired position (see Figure 1). Move all clamps to their mount positions (claws pointing away from the sink under the countertop). Begin tightening clips (see Figure 2) but do not overtighten. It is only necessary to draw the sink rim down firmly to the countertop. Tighten until the entire sink rim is sealed. Wipe off any excess sealant from the countertop with a dry cloth.



Tighten clamps gradually, in a sequence similar to that shown.

# Use & Care Guide

## Do routine cleaning

Use soap, warm water and sponge. Rinse thoroughly and wipe dry.

## To remove stubborn stains

Use any cleaner acceptable for use on stainless steel. Always rub in the direction of the grain. Rinse thoroughly and wipe dry.

## To maintain luster

Use a small amount of mineral oil on a soft cloth. Apply evenly to the entire surface of the sink and buff to a shiny finish.

**Do not use** steel wool, scouring pads, steel brushes, etc. Their particles may become embedded in the sink surface and cause a rusty discoloration.

**Do not use** rubber mats. They trap water causing iron deposits and surface discoloration.

# Warranty

## LIFETIME LIMITED WARRANTY

For the lifetime of the product from the date of purchase, when this sink is installed, operated and maintained according to instructions attached to or furnished with the product, KitchenAid will replace sinks found to be defective in materials or workmanship with an equivalent stainless steel sink supplied by KitchenAid.

KitchenAid reserves the right to inspect any sink reported to be defective prior to replacement. This Lifetime Limited Warranty is offered to the original owner of the sink.

### KitchenAid WILL NOT Pay For:

- Service calls to correct the installation of your sink, to instruct you on how to use your sink, to replace house fuses or correct house wiring or plumbing.
- Repairs when your sink is used in other than normal, single-family household use.
- Damage resulting from accident, alteration, unauthorized modification, misuse, abuse (such as heavy impact or dropped objects), fire, floods, acts of God, improper installation or installation not in accordance with local electrical and plumbing codes, or use of products not approved by KitchenAid.
- Damages resulting from improper care or maintenance.
- Damages resulting from improper application (such as exposure to corrosive chemical, photographic solution, etc.).
- Any unauthorized modifications made to the product after it leaves KitchenAid (or its suppliers) premises whether performed by a contractor, service company, or yourself.
- Any labor cost during the limited warranty period.
- Replacement parts for units operated outside the United States.
- Pickup and delivery. This product is designed to be serviced in the home.

### KITCHENAID SHALL NOT BE LIABLE FOR INCIDENTAL OR CONSEQUENTIAL DAMAGES.

Some states do not allow the exclusion or limitation of incidental or consequential damages, so this exclusion or limitation may not apply to you. This warranty gives you specific legal rights and you may also have other rights, which may vary from state to state.

**Outside the 50 United States, this warranty does not apply. Contact your authorized KitchenAid dealer to determine if another warranty applies.**

If you believe that you have a warranty claim, contact KitchenAid through your Dealer, Plumbing Contractor, Home Center or E-tailer. Or call our Customer Interaction Center at 1-800-422-1230 from anywhere in the USA, or write: CIC Center, KitchenAid Brand Home Appliances, Customer Interaction Center, 553 Benson Road, Benton Harbor, MI 49022-2692. *In the event of a warranty claim, the owner will be required to provide proof of purchase and a complete description of the problem.*

**This warranty supersedes all other warranties, expressed or implied.**

**Keep this book and your original invoice together for future reference. You must provide proof of purchase or installation date for in-warranty service.**

Write down the information about your sink in the box to the right to better help you obtain assistance or service if you ever need it.

Dealer Name _____
Address _____
Phone Number _____
Product _____
Model Number _____
Color and Finish _____
Purchase Date _____

## Requesting Assistance or Service

### If you need assistance or service in U.S.A.

**Call the KitchenAid Customer Interaction Center toll-free at 1-800-422-1230.**

**Our consultants are available to assist you.**

When calling: Please know the purchase date, and the complete model of your sink. This information will help us better respond to your request.



**Our consultants provide assistance with:**

- Features and specifications on our full line of sinks
- Installation information
- Use and maintenance procedures
- Accessory and repair parts sales
- Specialized customer assistance (Spanish speaking, hearing impaired, limited vision, etc.)
- Referrals to local dealers, service companies, and repair parts distributors

### For further assistance

If you need further assistance, you can write to KitchenAid with any questions or concerns at:

KitchenAid Brand Home Appliances  
Customer Interaction Center  
553 Benson Road  
Benton Harbor, MI 49022-2692

Please include a daytime phone number in your correspondence.

**KitchenAid**™  
HOME APPLIANCES

Part No. 8534966

® Registered Trademark/™ Trademark of KitchenAid, U.S.A.

© Dow Corning is a registered trademark of Dow Corning Corporation.

© 2003 All rights reserved.

7/2003

Printed in U.S.A.

## Free Manuals Download Website

<http://myh66.com>

<http://usermanuals.us>

<http://www.somanuals.com>

<http://www.4manuals.cc>

<http://www.manual-lib.com>

<http://www.404manual.com>

<http://www.luxmanual.com>

<http://aubethermostatmanual.com>

Golf course search by state

<http://golfingnear.com>

Email search by domain

<http://emailbydomain.com>

Auto manuals search

<http://auto.somanuals.com>

TV manuals search

<http://tv.somanuals.com>