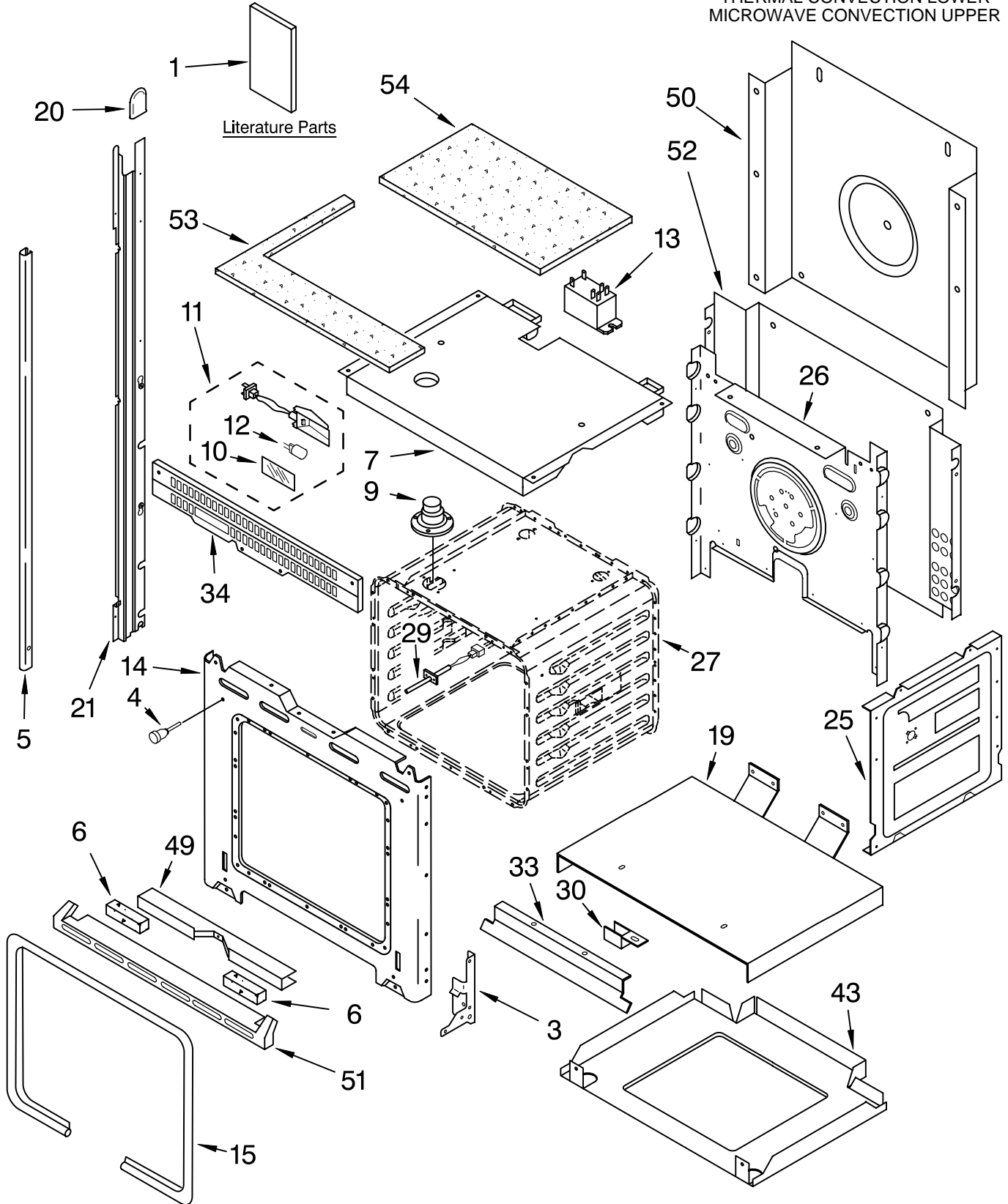


KitchenAid®

OVEN PARTS

For Models: KEMC308KBL02, KEMC308KWH02, KEMC308KBT02, KEMC308KSS02
(Black) (White) (Biscuit) (Stainless Steel)

30" BUILT-IN ELECTRIC
DOUBLE OVEN
THERMAL CONVECTION LOWER
MICROWAVE CONVECTION UPPER



FOR ORDERING INFORMATION REFER TO PARTS PRICE LIST

OVEN PARTS

For Models: KEMC308KBL02, KEMC308KWH02, KEMC308KBT02, KEMC308KSS02
 (Black) (White) (Biscuit) (Stainless Steel)

Illus. No.	Part No.	DESCRIPTION	Illus. No.	Part No.	DESCRIPTION	Illus. No.	Part No.	DESCRIPTION
1		Literature Parts	7	4455865	Top Chassis	34	8302592	Vent, Center
	8300653	Installation Instructions		4449809	Screw		4450038	Screw
	4456573	Use & Care Guide (Oven)	9	4452158	Tube, Vent		3400832	Screw
	8300890	Use & Care Guide (Microwave)	10	4452163	Lens, Light	43	9759713	Base, Chassis
	4450786	Cooking Guide (Lable)	11	4448972	Oven Light Assy		4449809	Screw
	8302001	Tech Sheet (Oven)	12	4449748	Screw	49	4448933	Retainer, Gasket
	4449264	Easy Set Guide	13	4452164	Bulb, Light		4449154	Screw
	3191638	Safer Cooking Tips	14	9752759	Relay	50	4451747	Cover, Back
	4451052	Easy Use Guide (Microwave)		3400832	Screw		4449809	Screw
3		Hinge Reciever	15	9759060	Frame, Front	51		Trim, Bottom
	4455605	Left Hand	16	4449040	Screw		4455443	Black
	4455606	Right Hand	17	4450118	Nut		4455445	White
4	4448520	Bumper, Door	18	4455382	Gasket, Door		4455447	Biscuit
5		Trim, Side	19	4451478	Support, Insulation		4455147	Stainless Steel
	4455430	RH Black	20	4451605	Cap, Spacer	52	4451756	Chassis, Back
	4455434	RH Biscuit	21		Rail, Side	53	4452492	Insulation, Convection Top
	4455432	RH White		4450583	Right Side	54	4452491	Insulation, Convection Grill
	4452083	RH S. Steel		4450584	Left Side			
	4455431	LH Black	25	4455641	Side, Chassis (R.H. & L.H.)			
	4455435	LH Biscuit		4449809	Screw			
	4455433	LH White	26	4452234	Back, Chassis			
	4452084	LH S. Steel		4449809	Screw			
	8281236	Black	27		Liner, Oven (Not serviceable)			
	694091	White	29	4455636	Sensor			
6	4452490	Spacer, Foam		4449154	Screw			
			30	4449845	Bracket, Support			
				4449809	Screw			
			33	9760677	Deflector, Vent			

FOLLOWING PARTS NOT ILLUSTRATED

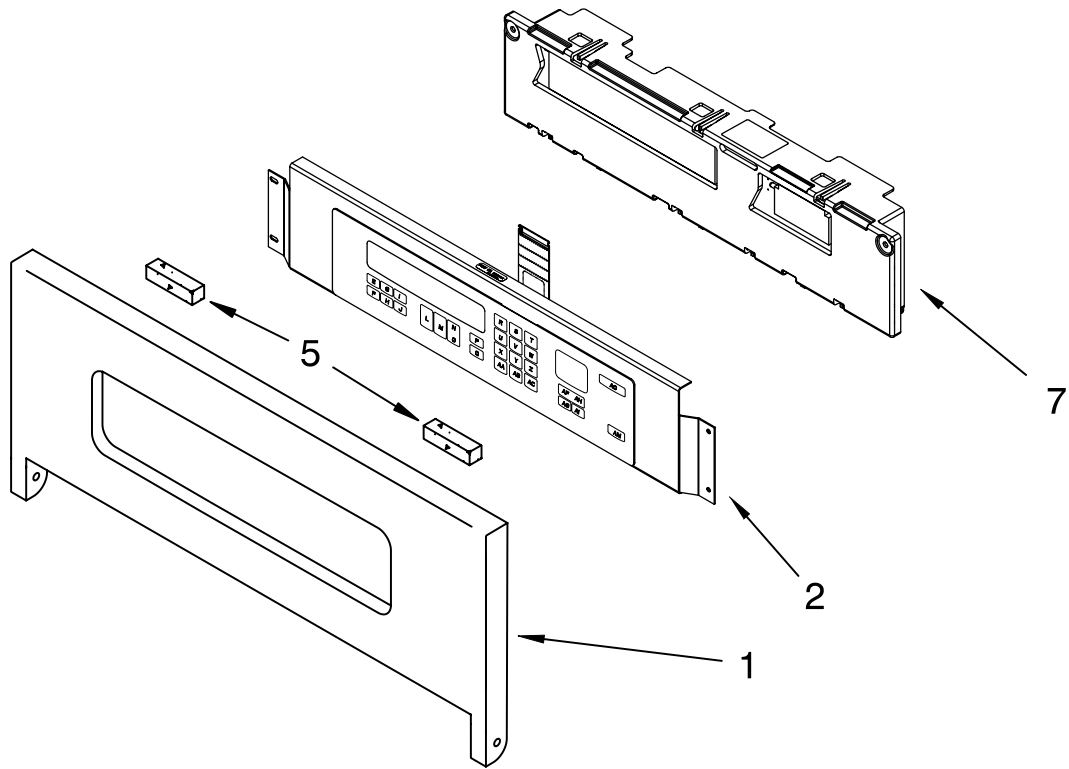
INSULATION

4449316	Insulation, Wrap
4450365	Insulation, Back
4452337	Insulation, Bottom Vent

FOR ORDERING INFORMATION REFER TO PARTS PRICE LIST

CONTROL PANEL PARTS

For Models: KEMC308KBL02, KEMC308KWH02, KEMC308KBT02, KEMC308KSS02
 (Black) (White) (Biscuit) (Stainless Steel)

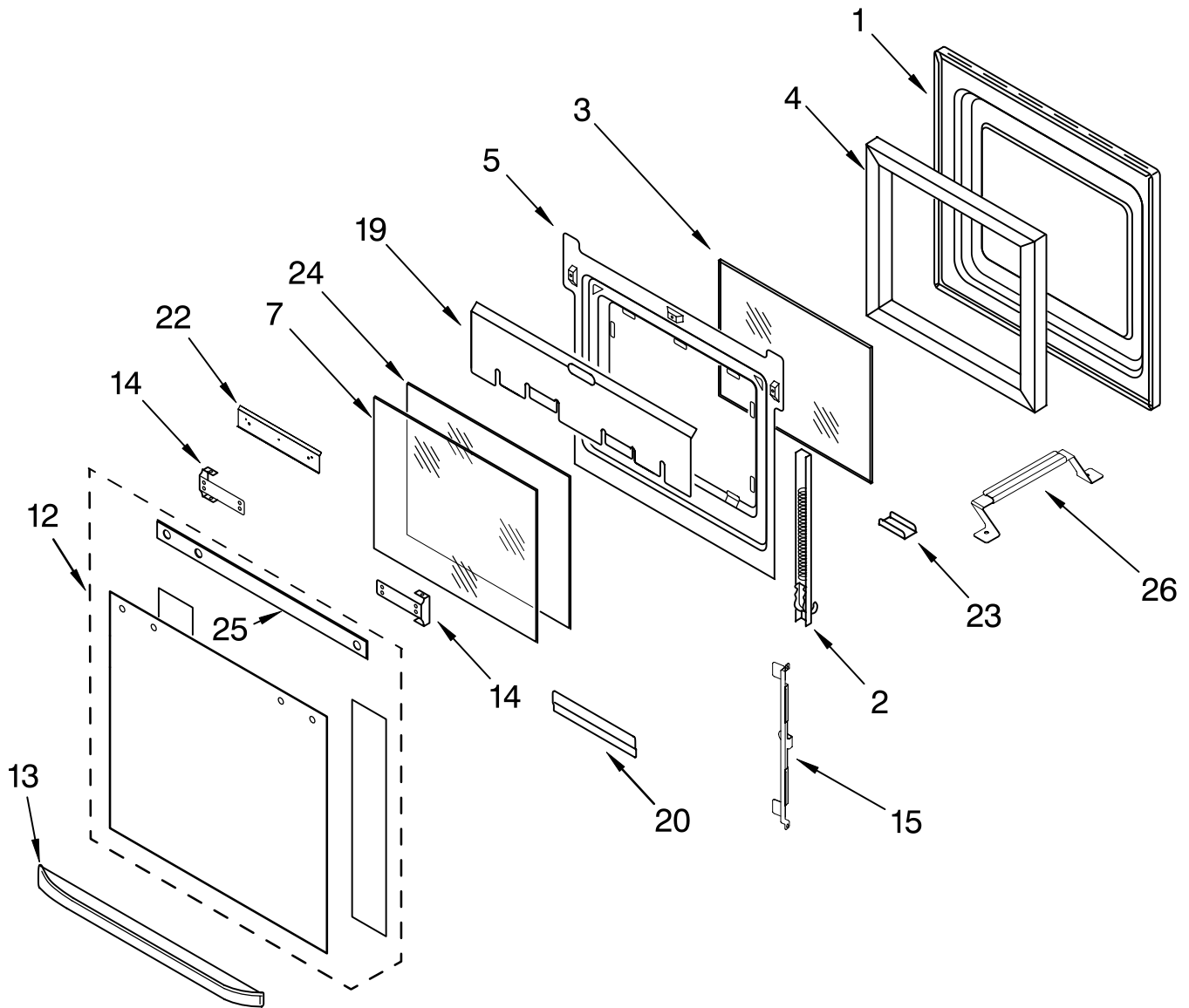


Illus. No.	Part No.	DESCRIPTION
1		Panel. Control
	4452604	Black
	4452605	White
	4452974	Biscuit
	4451791	Stainless Steel
2		Switch Membrane
	8302670	Black
	8302674	White
	8302672	Biscuit
	8302660	Stainless Steel
	3400832	Screw
5	4452260	Spacer, Foam
7	8302346	Assy, Control
	4449745	Screw
	3400832	Screw

FOR ORDERING INFORMATION REFER TO PARTS PRICE LIST

OVEN DOOR PARTS

For Models: KEMC308KBL02, KEMC308KWH02, KEMC308KBT02, KEMC308KSS02
(Black) (White) (Biscuit) (Stainless Steel)

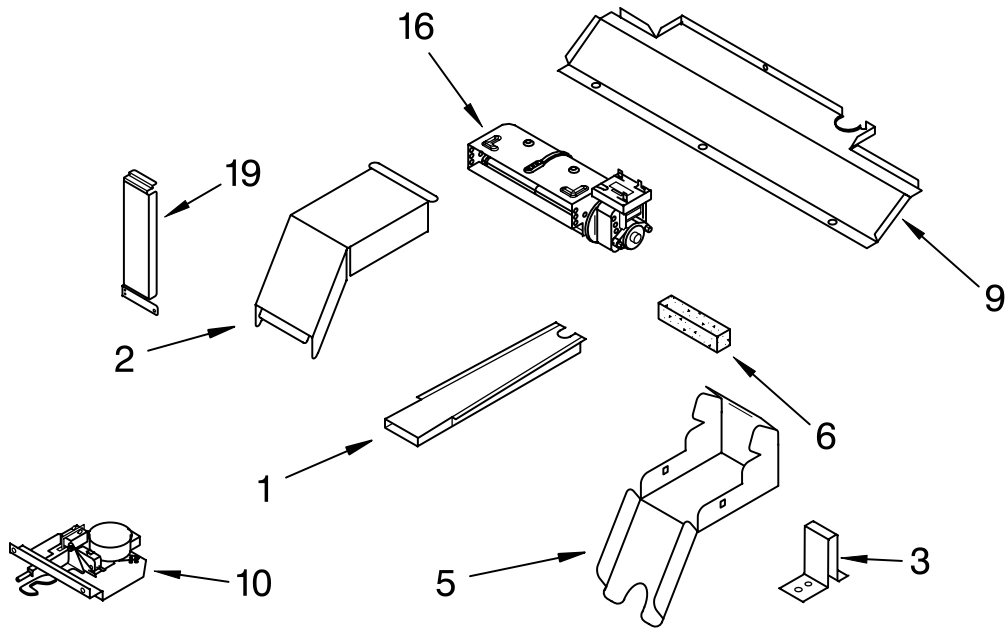


Illus. No.	Part No.	DESCRIPTION	Illus. No.	Part No.	DESCRIPTION	Illus. No.	Part No.	DESCRIPTION
1	4457127	Door Liner	13		Door Handle	20	4457132	Retainer, Glass
2		Hinge, Door		4452502	Black		4449809	Screw
	8300575	Rt Side (clear)		4452503	White	22	4457114	Shield, Heat(Btm)
	8300576	Lft Side (clear)		4452871	Biscuit	23		Retainer, Glass-Clip
	4449743	Screw		4452088	Stainless Steel		4450863	Black
3	4449259	Glass, Inner	14		Bracket, Handle		4450864	White
4	4451722	Insulation, Door		4455803	Right Hand		4452119	Almond
5	8300778	Retainer, Glass		4455804	Left Hand		4451432	Stainless Steel
	4449809	Screw		3196184	Screw	24	9759228	Glass, Inner
7	9759225	Glass, Inner	15	9759229	Bracket(2nd Glass)	25	4452326	Seal, Pano
12		Door Glass, Assy	19	4457103	Shield, Heat	26	9759230	Bracket(3rd Glass)
	4455391	Black		4449809	Screw			
	4455390	White						
	4455395	Biscuit						
	4452316	Stainless Steel						

FOR ORDERING INFORMATION REFER TO PARTS PRICE LIST

LATCH PARTS

For Models: KEMC308KBL02, KEMC308KWH02, KEMC308KBT02, KEMC308KSS02
 (Black) (White) (Biscuit) (Stainless Steel)



Illus. No.	Part No.	DESCRIPTION
1	4451759	Vent, Exhaust
2	4455178	Elbow, Vent-Top
3	8300791	Bracket, Combo Chassis
5	4455177	Elbow, Vent-Bottom
6	4451758	Seal, Foam
9	4450408	Baffle, Rear
	4449154	Screw
10	9759481	Latch, Motorized
16	4452003	Blower
	4449809	Screw
19	4449906	EXT Filler
	4455191	Plate, Service

IMPORTANT PRODUCT SAFETY INFORMATION

ADVISE CONSUMERS OF AN ELECTROCUTION HAZARD WITH DO-IT-YOURSELF REPAIRS OF MICROWAVE OVENS.

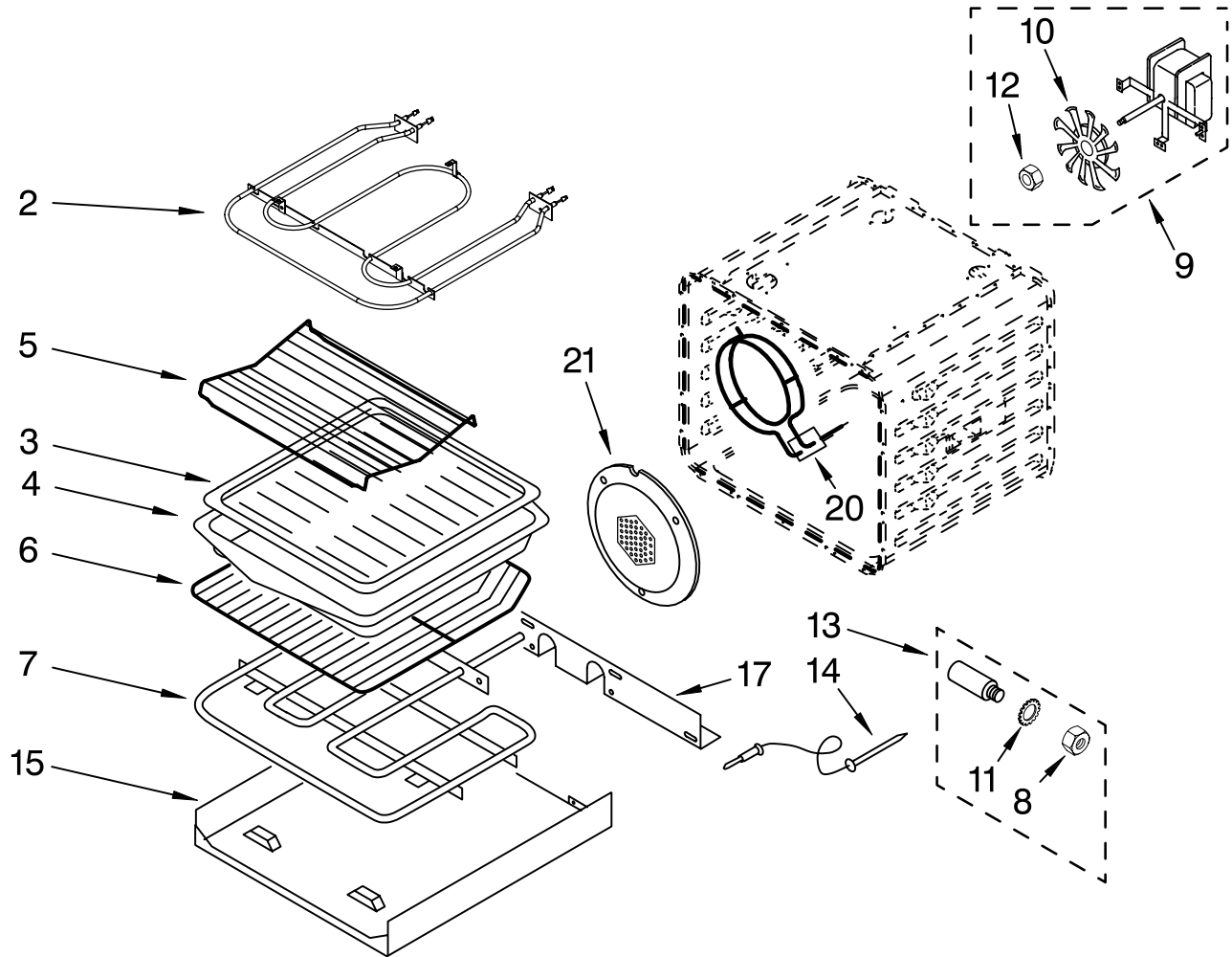
The U.S. Consumer Product Safety Commission warns against do-it-yourself repairs of microwave ovens. Microwave ovens use high voltage which makes it particularly hazardous for consumers to remove the cover and touch electrical parts.

STRONGLY RECOMMEND THAT CONSUMERS HAVE PROFESSIONALS REPAIR MICROWAVE OVENS.

FOR ORDERING INFORMATION REFER TO PARTS PRICE LIST

INTERNAL OVEN PARTS

For Models: KEMC308KBL02, KEMC308KWH02, KEMC308KBT02, KEMC308KSS02
 (Black) (White) (Biscuit) (Stainless Steel)

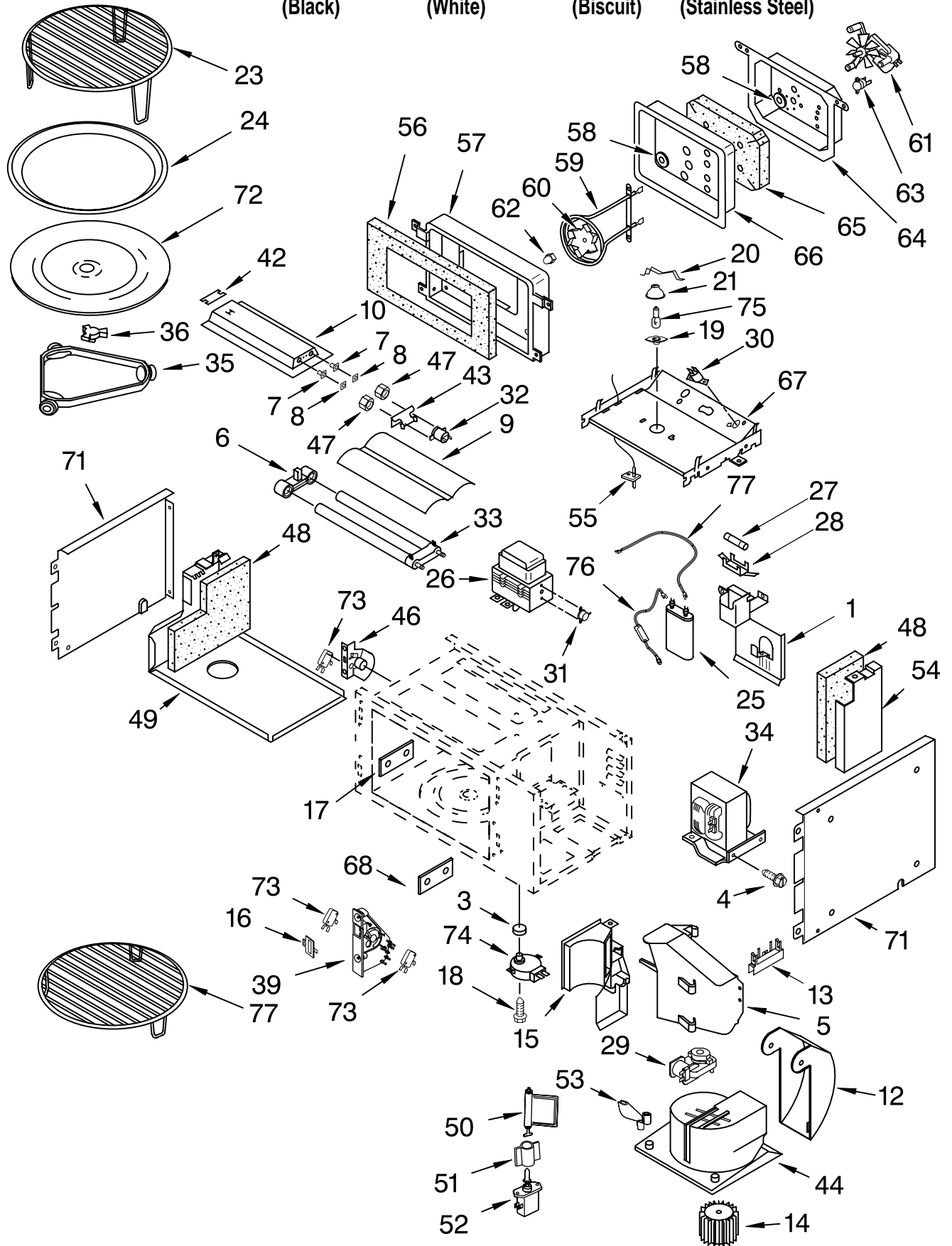


Illus. No.	Part No.	DESCRIPTION
2	4456104	Element, Broil
	4449154	Screw
3	4457277	Grill, Broiler
4	4457276	Pan, Broiler
5	3181534	Rack, Roasting
6	4448717	Rack, Oven
7	4452155	Element, Bake
8	4448881	Nut, Hex
9	4451583	Convection, Motor
	4449154	Screw
10	4452226	Blade, Fan
11	4448882	Washer, Lock
12	4452227	Nut
13	4451355	Jack, Meat Probe
14	4448948	Probe, Meat
15	4455037	Tray, Bake
17	4450039	Cover, Bake Tray
	4449809	Screw
20	4452157	Element, Convection
	4449154	Screw
21	4448418	Cover, Fan
	4449154	Screw

FOR ORDERING INFORMATION REFER TO PARTS PRICE LIST

CABINET AND STIRRER PARTS

For Models: KEMC308KBL02, KEMC308KWH02, KEMC308KBT02, KEMC308KSS02
 (Black) (White) (Biscuit) (Stainless Steel)



FOR ORDERING INFORMATION REFER TO PARTS PRICE LIST

CABINET AND STIRRER PARTS

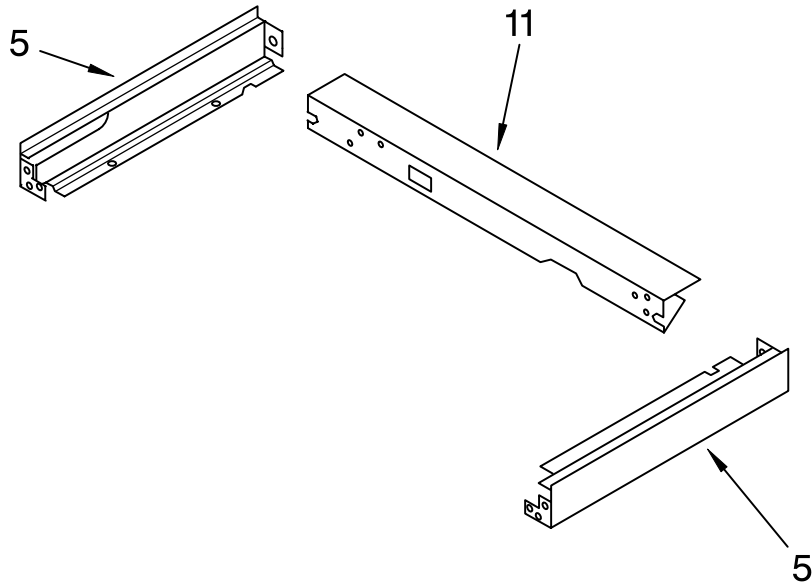
For Models: KEMC308KBL02, KEMC308KWH02, KEMC308KBT02, KEMC308KSS02
(Black) (White) (Biscuit) (Stainless Steel)

Illus. No.	Part No.	DESCRIPTION	Illus. No.	Part No.	DESCRIPTION	Illus. No.	Part No.	DESCRIPTION
1	4375437	Bracket, Capacitor	32	4375281	Thermostat	56	4375420	Insulation
3	4375252	Rubber Ring	33	4375408	Q Tube Assembly	57	4375419	Duct, Heater
4	4375038	Screw	34	4375438	Transformer	58	4375416	Washer
5	4375314	Air Duct, Magnetron	35	4375406	Ring, Turntable	59	4375417	Element, Heater
6	4375253	Support, Tube	36	4375407	Shaft, Turntable	60	4375418	Fan
7	4375421	Plug, Ceramic	39		Bracket, Hinge	61	4375429	Motor, Fan
8	4375255	Bushing		4375412	Left	62		Left-Threaded Nut
9	4375256	Reflector		4375413	Right			Serviced With
10	4375257	Chamber, Reflector	42	4375331	Plate, Grill			Motor Item 61
12	4375450	Duct, Inlet	43	4375332	Bracket	63	4375430	Thermostat
13	4375316	Insulation, Switch	44	4375441	Fan Cap	64	4375431	Shield, Heat
14	4375322	Fan Wheel	46		Switch Holder	65	4375432	Insulation
15	4375317	Duct, Air		4375412	Left	66	4375433	Chamber, Heat
16	4375415	Block, Slide		4375413	Right			Cabinet
17	4375248	Cover Plate, Upper	47	4375258	Nut	67	4375437	Isolation Plate
18	4375251	Screw	48		Insulation	68	4375338	Cover Plate
19	4375318	Lens, Lamp		4375409	Left Side	71		Side Plate
20	4375319	Spring		4375410	Right Side		4375341	Left
21	4375320	Reflector	49	4375411	Plate, Side		4375342	Right
23	4375276	Rack			Bottom	72	4455915	Turntable
24	4393536	Crisp Plate	50	4375425	Valve	73	4375346	Switch
25	4375436	Capacitor	51	4375428	Screw To Valve	74	4375347	Motor, Turntable
26	4375424	Magnetron	52	4375427	Thermoactuator	75	4375348	Lamp
27	4375321	Fuse	53	4375426	Air Bleed	76	4375349	Rectifier
28	4375231	Block, Fuse	54	4375439	Shield, Heat	77	4452220	Rack, Convection
29	4375278	Motor, Blower			Right			
30	4375279	Thermostat	55	4375422	Sensor, Temp.			
31	4375423	Thermostat						

FOR ORDERING INFORMATION REFER TO PARTS PRICE LIST

MICROWAVE COMPARTMENT PARTS

For Models: KEMC308KBL02, KEMC308KWH02, KEMC308KBT02, KEMC308KSS02
(Black) (White) (Biscuit) (Stainless Steel)

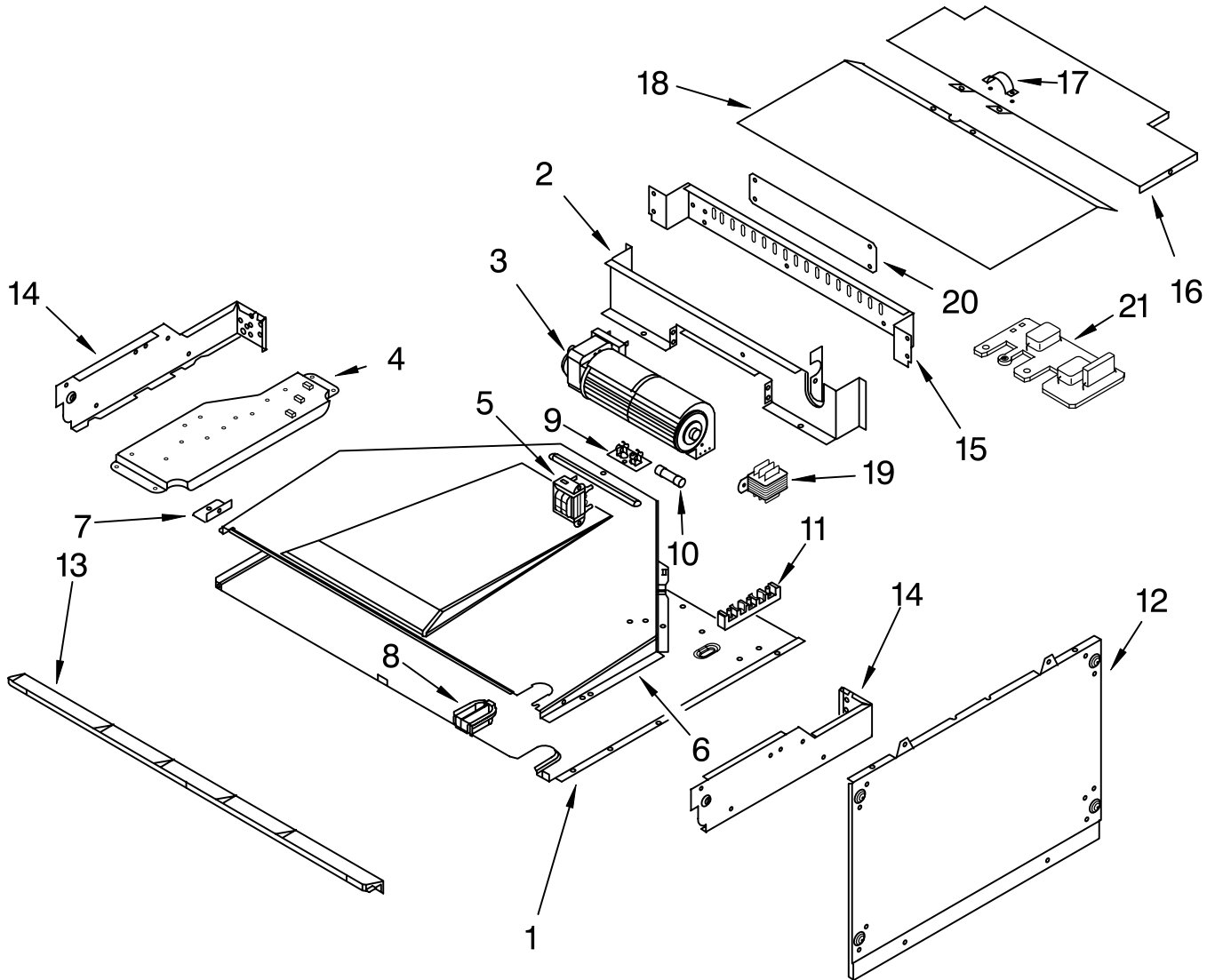


<u>Illus. No.</u>	<u>Part No.</u>	<u>DESCRIPTION</u>
5		Support Rails
	4452551	Right Side
	4452552	Left Side
	4449809	Screw
11	4452548	Rear Channel
	4449809	Screw
	4449154	Screw

FOR ORDERING INFORMATION REFER TO PARTS PRICE LIST

TOP VENTING PARTS

For Models: KEMC308KBL02, KEMC308KWH02, KEMC308KBT02, KEMC308KSS02
 (Black) (White) (Biscuit) (Stainless Steel)



Illus. No.	Part No.	DESCRIPTION
1	4450378	Cover, Top
	4449809	Screw
2	4448935	Baffle, Blower
	1180485	Screw
3	4450920	Blower
	4449809	Screw
4	4451789	Plate, Mounting
5	9760588	Transformer, (Lights)
	4449809	Screw
6	4451634	Exhaust Duct
7	4450027	Bracket, Duct
8	4449964	Grommet
	4449809	Screw
	112432	Nut

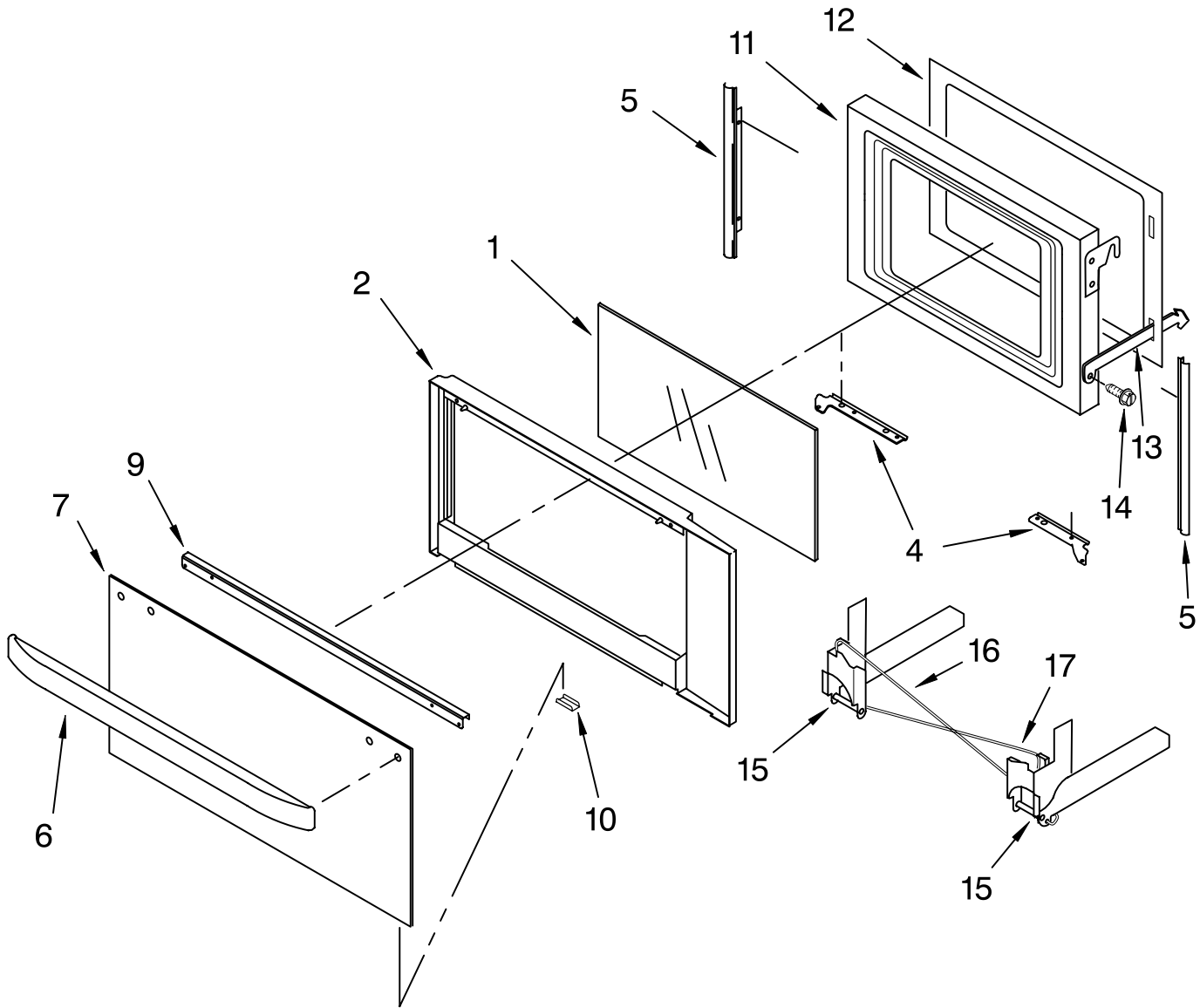
Illus. No.	Part No.	DESCRIPTION
9	4454949	Holder, Fuse
	4449154	Screw
10	4454976	Fuse
11	4449868	Block, Terminal
	3400080	Screw
12	4452559	Side, Combo
	4449809	Screw
13	4456145	Vent, (Control Panel)
	4450038	Screw
14	4451597	Right Side, Control Top
	4451598	Left
	4449809	Screw

Illus. No.	Part No.	DESCRIPTION
15	4452244	Back, Control
	4449809	Screw
16	4450551	Cover, Top Rear
	4449809	Screw
17	4448664	Clamp
	4449809	Screw
18	4452367	Cover, Top Front
	4449809	Screw
19	4455038	Transformer, Control
20	4452247	Cover, Plate
	4449809	Screw
21	4451934	Suppressor

FOR ORDERING INFORMATION REFER TO PARTS PRICE LIST

MICROWAVE DOOR PARTS

For Models: KEMC308KBL02, KEMC308KWH02, KEMC308KBT02, KEMC308KSS02
 (Black) (White) (Biscuit) (Stainless Steel)



Illus. No.	Part No.	DESCRIPTION
1	4448937	Glass, Middle
2	8303556	Frame, Door
	4450038	Screw
4		Bracket, Mounting
	4449141	Right Side
	4449142	Left Side
	4449809	Screw
5		Filler, Side
	4449083	Right Side
	4449086	Left Side
	4449809	Screw

Illus. No.	Part No.	DESCRIPTION
6		Handle, Door
	4452502	Black
	4452503	White
	4452871	Biscuit
	4452088	Stainless Steel
7		Glass, Outer
	4452211	Black
	4452789	White
	4452995	Biscuit
	4452259	Stainless (Assy)
9	4452331	Bracket, Handle
	3196184	Screw

Illus. No.	Part No.	DESCRIPTION
10		Retainer, Glass-Clip
	4450863	Black
	4450864	White
	4451432	Stainless Steel
	4452119	Biscuit
11	4375339	Door, Plate
12	4375414	Frame, Inner
13	4375330	Strap, Door
14	4375313	Screw
15		Hinge, Door
	4375323	Left
16	4451009	Spring, Torsion RH
17	4452395	Spring, Torsion LH
	4375324	Right

FOR ORDERING INFORMATION REFER TO PARTS PRICE LIST

OPTIONAL PARTS

For Models: KEMC308KBL02, KEMC308KWH02, KEMC308KBT02, KEMC308KSS02
 (Black) (White) (Biscuit) (Stainless Steel)

Illus. No.	Part No.	DESCRIPTION
<u>PAINT, TOUCH-UP (1/2oz.)</u>		
	72017	White
	261869	Cord Brown
	72032	Black
<u>PAINT, SPRAY</u>		
	350930	White
	261900	Citrine White
	830864	Black
<u>ADHESIVE</u>		
	591014	Adhesive Loctite (1/3 oz.)
	482338	Sealer, Silastic (3 oz.)

Illus. No.	Part No.	DESCRIPTION
<u>SPLICING WIRES--25FT. LENGTH</u>		
	242828	Wire (12 Ga. 150 c Black)
	242820	Wire (14 Ga. 150 c Black)
	242821	Wire (14 Ga. 150 c Blue)
	242822	Wire (14 Ga. 150 c Brown)
	242830	Wire (14 Ga. 200 c Brown)
	242823	Wire (14 Ga. 150 c Green)
	242824	Wire (14 Ga. 150 c Orange)
	242829	Wire (12 Ga. 150 c Red)
	242825	Wire (14 Ga. 150 c Red)
	242831	Wire (14 Ga. 200 c Red)
	242826	Wire (14 Ga. 150 c White)
	242827	Wire (14 Ga. 150 c Yellow)
	242832	Wire (14 Ga. 200 c Yellow)

Illus. No.	Part No.	DESCRIPTION
<u>FOLLOWING PARTS NOT ILLUSTRATED</u>		
	4378944	Filler Kit (BL)
	4378945	Filler Kit (WH)
	4378946	Filler Kit (AL)
<u>WIRING HARNESS PARTS</u>		
	8301909	Harness, Latch
	4452400	Lead, Ground
	4449809	Screw
	8301923	Harness, Main
	4450831	Ground (M/W)
	4450800	Screw, Ground
	4449809	Screw
	4450950	Conduit, Combo
	313438	Clip, Harness
	4452222	Spacer, Harness
	4454835	Tie, Cable
<u>Miscellaneous</u>		
	4448950	Screw, Install (4)
	814381	Hinge Pin Kit

FOR ORDERING INFORMATION REFER TO PARTS PRICE LIST

Free Manuals Download Website

<http://myh66.com>

<http://usermanuals.us>

<http://www.somanuals.com>

<http://www.4manuals.cc>

<http://www.manual-lib.com>

<http://www.404manual.com>

<http://www.luxmanual.com>

<http://aubethermostatmanual.com>

Golf course search by state

<http://golfingnear.com>

Email search by domain

<http://emailbydomain.com>

Auto manuals search

<http://auto.somanuals.com>

TV manuals search

<http://tv.somanuals.com>