

FOR ORDERING INFORMATION REFER TO PARTS PRICE LIST

# CABINET PARTS

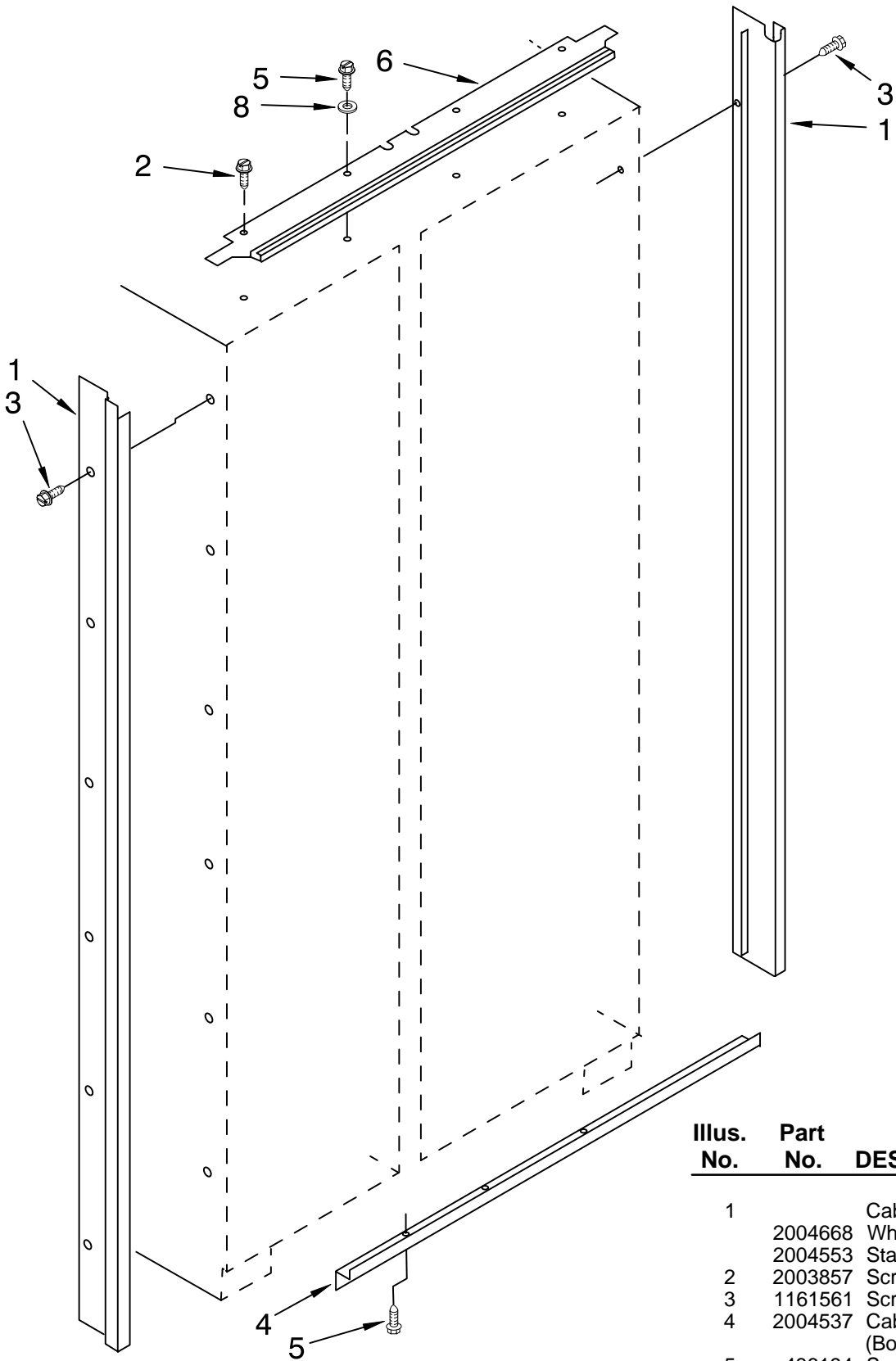
For Models: KSSS42QDW05, KSSS42QDX05

| Illus. No. | Part No. | DESCRIPTION                      | Illus. No. | Part No. | DESCRIPTION                        | Illus. No. | Part No. | DESCRIPTION           |
|------------|----------|----------------------------------|------------|----------|------------------------------------|------------|----------|-----------------------|
| 1          |          | Cabinet (Not A Serviceable Part) | 17         | 2004993  | Screw, Door Stop                   | 29         |          | Hinge (Bottom)        |
| 3          | 2005004  | Grommet, Tube Crossover          | 18         |          | Hinge (Top)                        |            | 2004539  | Freezer Side          |
| 4          | 1112023  | Roller, Front & Rear (4)         |            | 2001976  | Left Side                          |            | 2004507  | Refrigerator Side     |
| 5          |          | Support, Leveler Assembly        | 19         | 2000770  | Right Side                         | 30         | 2004992  | Bushing, Adjustable   |
|            | 2004506  | Refrigerator Side                | 20         | 1112805  | Shim, Hinge Top                    | 31         | 2001415  | Screw                 |
|            | 2004505  | Freezer Side                     | 21         | 2004994  | Guard, Wiring                      | 33         | 2004516  | Linkage, Door Closure |
| 6          | 2005006  | Grommet, Wiring                  | 22         | 2002903  | Lock, Adjustable Bushing           | 34         |          | Grille Base, Front    |
| 7          | 2005007  | Grommet, Flexible                | 24         |          | Bushing                            |            | 2004534  | White                 |
| 9          | 2004852  | Mounting Stud, Grill             |            | 2004566  | Spring, Door Closure               |            | 2004531  | Black                 |
| 10         | 1112939  | Hole Plug, Leveler               |            | 2004567  | Refrigerator Side                  | 35         | 489238   | Screw                 |
| 11         | 1112849  | Cap, Grommet                     | 25         | 486194   | Freezer Side                       | 36         | 2004512  | Cover, Rear           |
| 13         | 1113122  | Grommet, Wiring                  | 26         | 2005008  | Screw                              | 37         | 1113123  | Grommet, Wiring       |
| 14         | 2004912  | Wiring Harness, Cabinet          | 27         | 1113227  | Retaining Ring, Adjustable Bushing | 39         | 2004595  | Cup, Wiring           |
| 16         | 488946   | Tube, Clamp                      | 28         | 2004867  | Fastener (3)                       | 40         | 2004565  | Bushing, Door Closure |
|            |          |                                  |            |          | Gap, Cover Assembly (Bottom)       | 41         | 1161561  | Screw                 |
|            |          |                                  |            |          |                                    | 42         | 2150347  | Union                 |
|            |          |                                  |            |          |                                    | 43         | 2001415  | Screw (4)             |

FOR ORDERING INFORMATION REFER TO PARTS PRICE LIST

# CABINET TRIM PARTS

For Models: KSSS42QDW05, KSSS42QDX05

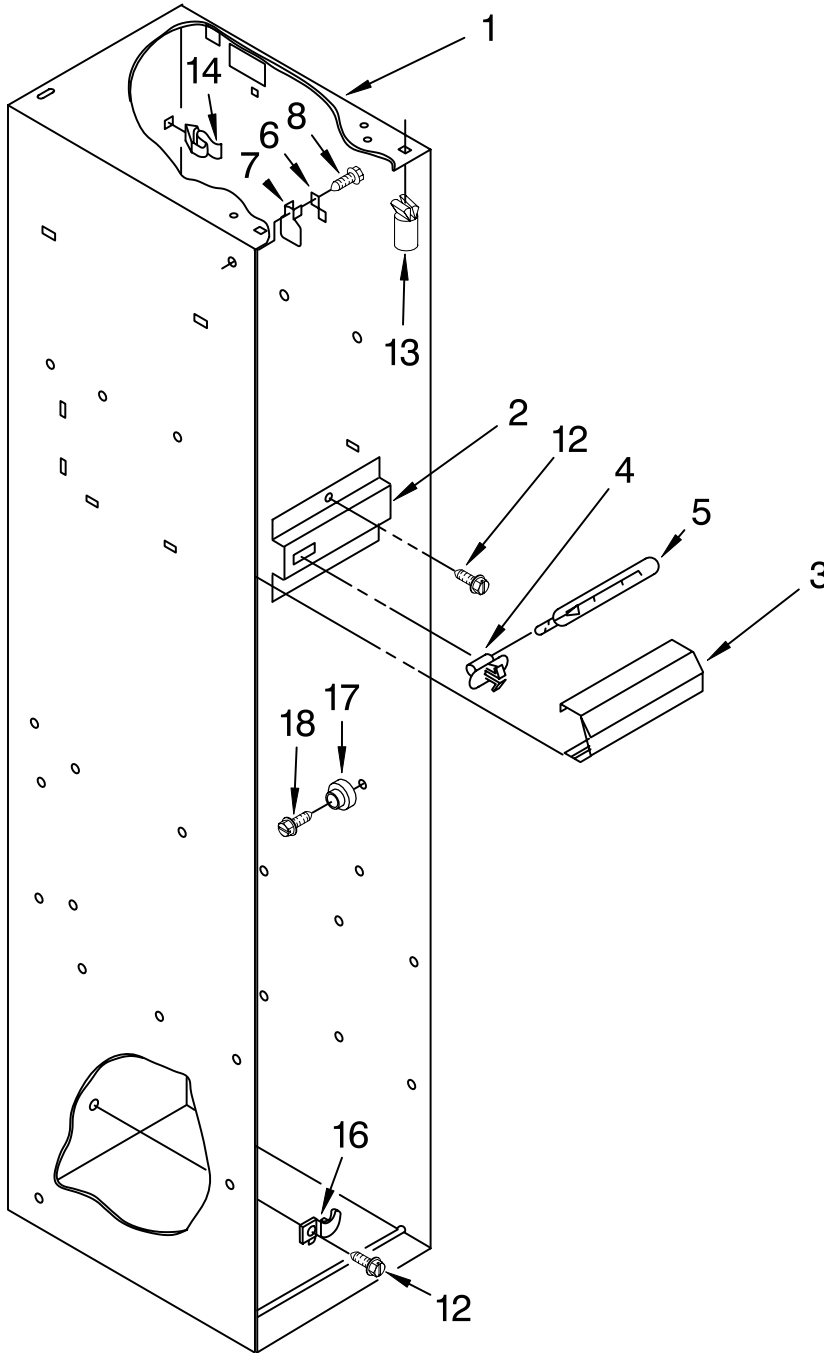


| Illus. No. | Part No. | DESCRIPTION             |
|------------|----------|-------------------------|
| 1          | 2004668  | Cabinet, Trim (2) White |
|            | 2004553  | Stainless Steel         |
| 2          | 2003857  | Screw                   |
| 3          | 1161561  | Screw                   |
| 4          | 2004537  | Cabinet, Trim (Bottom)  |
| 5          | 486194   | Screw                   |
| 6          | 2003646  | Cabinet, Trim Top       |
| 8          | 487944   | Washer (2)              |

FOR ORDERING INFORMATION REFER TO PARTS PRICE LIST

# FREEZER LINER PARTS

For Models: KSSS42QDW05, KSSS42QDX05

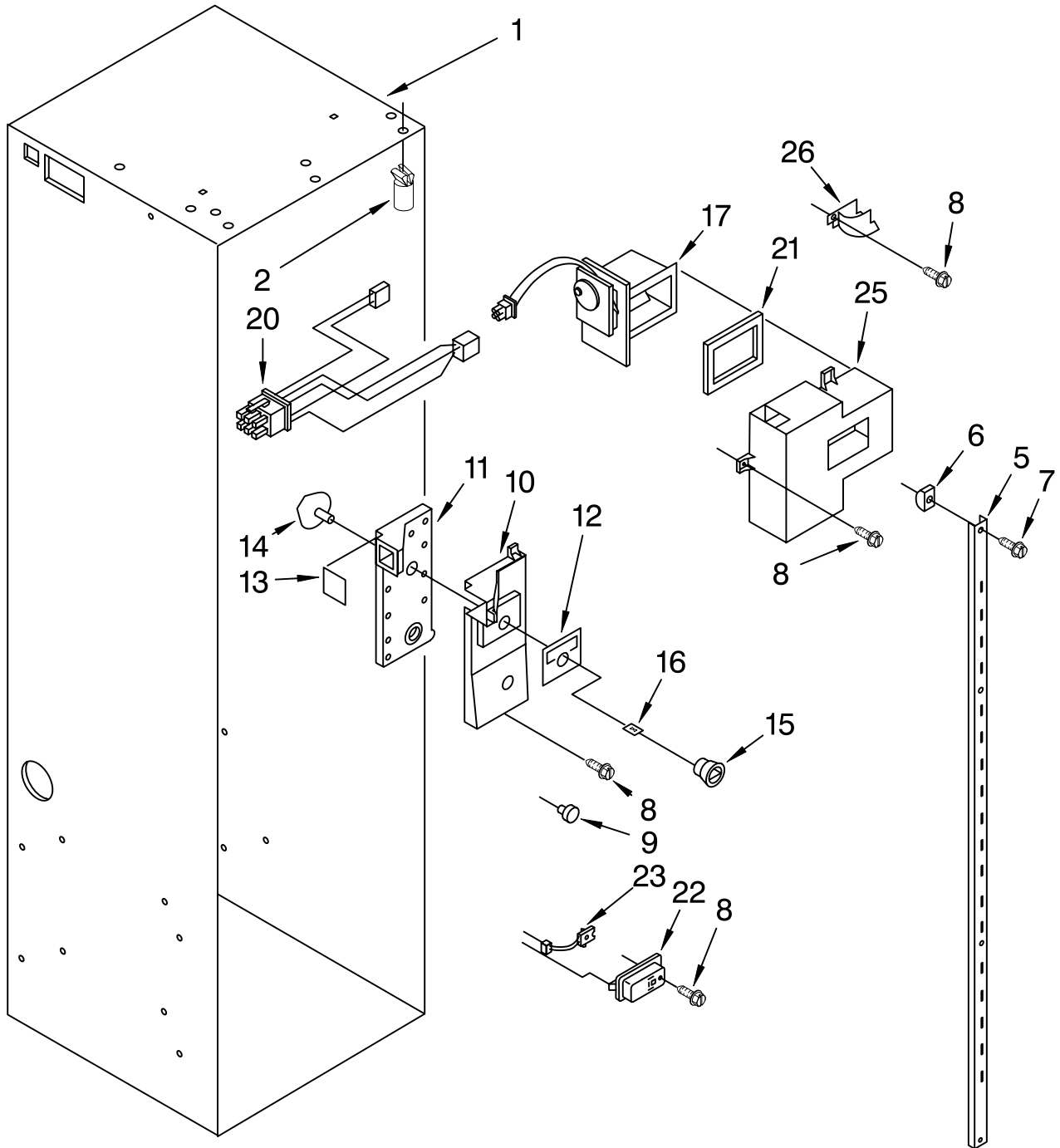


| Illus. No. | Part No. | DESCRIPTION                    |
|------------|----------|--------------------------------|
| 1          |          | Liner (Not A Serviceable Part) |
| 2          | 1113649  | Bracket, Light                 |
| 3          | 1113650  | Lens                           |
| 4          | 1112613  | Light, Socket                  |
| 5          | 548049   | Light, Bulb                    |
| 6          | 538533   | Support Clip, Icemaker (2)     |
| 7          | 2000193  | Grommet, Screw (2)             |
| 8          | 488552   | Screw                          |
| 12         | 486194   | Screw                          |
| 13         | 1112591  | Spacer, Control Panel (3)      |
| 14         | 842534   | Clip, Air Duct (4)             |
| 16         | 1112260  | Support, Evaporator            |
| 17         | 2004068  | Stud, Shelf (20)               |
| 18         | 487559   | Screw                          |

FOR ORDERING INFORMATION REFER TO PARTS PRICE LIST

# REFRIGERATOR LINER PARTS

For Models: KSSS42QDW05, KSSS42QDX05



FOR ORDERING INFORMATION REFER TO PARTS PRICE LIST

# REFRIGERATOR LINER PARTS

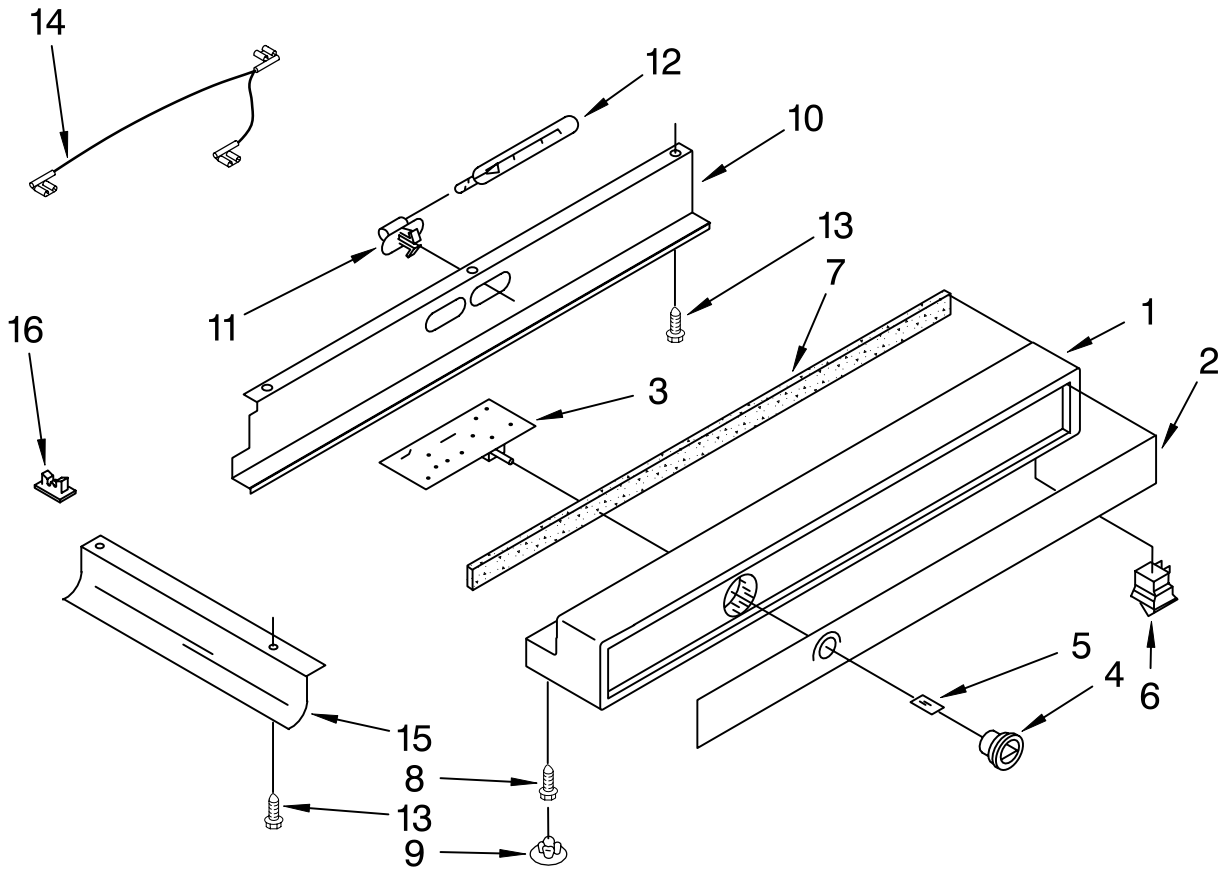
For Models: KSSS42QDW05, KSSS42QDX05

| <u>Illus. No.</u> | <u>Part No.</u> | <u>DESCRIPTION</u>             |
|-------------------|-----------------|--------------------------------|
| 1                 |                 | LINER (Not A Serviceable Part) |
| 2                 | 1112591         | Spacer, Control Panel (3)      |
| 5                 | 2001117         | Ladder, Shelf (2)              |
| 6                 | 520965          | Screw Support, Ladder (8)      |
| 7                 | 488357          | Screw                          |
| 8                 | 486194          | Screw                          |
| 9                 | 1112257         | Hole Plug                      |
| 10                | 2003579         | Meat Pan, Air Duct Cover       |
| 11                | 2000337         | Meat Pan, Air Duct             |
| 12                | 2003299         | Inlay, Control Meat Pan        |
| 13                | 2001326         | Seal, Air Duct                 |
| 14                | 1112218         | Damper Control, Meat Pan       |
| 15                | 2003811         | Control Knob, Meat Pan         |
| 16                | 2003841         | Retainer, Knob                 |
| 17                | 2000343         | Air Baffle Assembly            |
| 20                | 2001073         | Wiring Harness, Air Baffle     |
| 21                | 2001146         | Seal                           |
| 22                | 1116793         | Cover, Thermistor              |
| 23                | 1116959         | Thermistor                     |
| 25                | 2003578         | Air Baffle Cover               |
| 26                | 2003577         | Guard, Air Return              |

FOR ORDERING INFORMATION REFER TO PARTS PRICE LIST

# REFRIGERATOR CONTROL PANEL PARTS

For Models: KSSS42QDW05, KSSS42QDX05

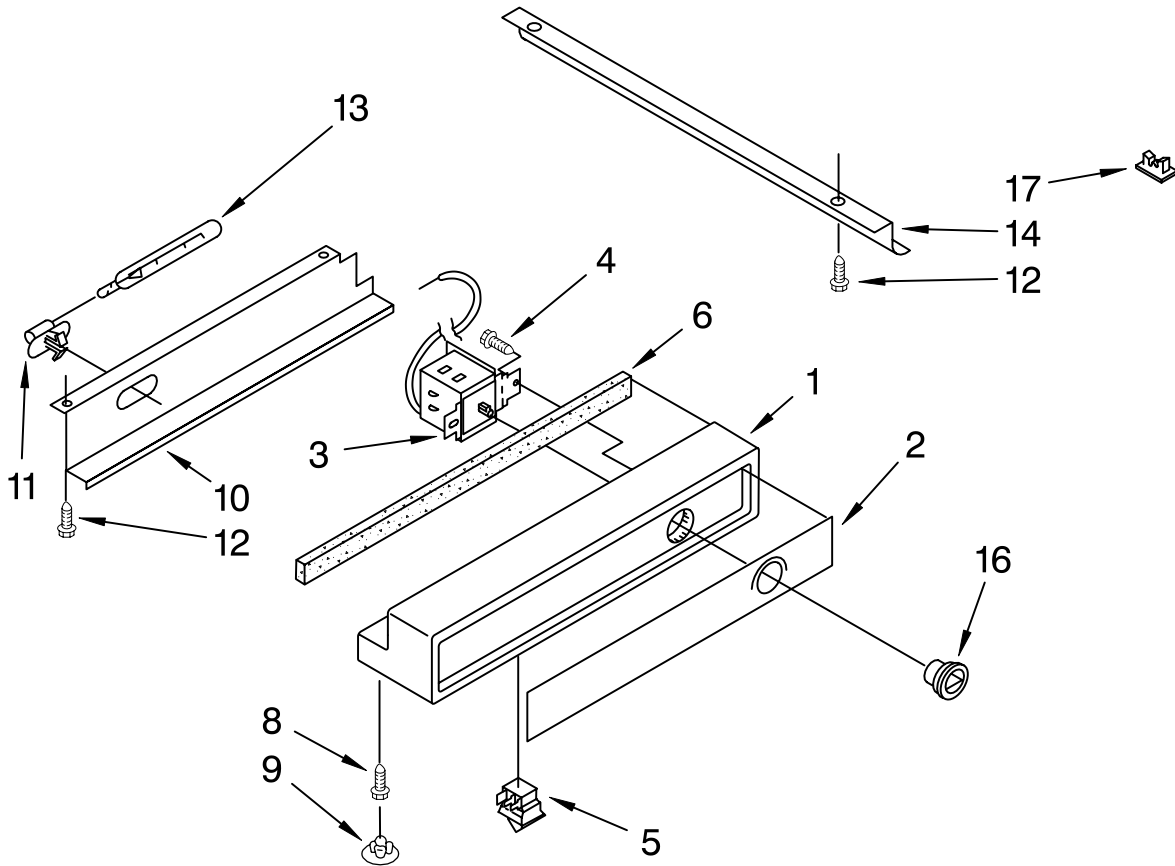


| Illus. No. | Part No. | DESCRIPTION           |
|------------|----------|-----------------------|
| 1          | 1112641  | Control Panel         |
| 2          | 2003302  | Inlay, Control Panel  |
| 3          | 2004005  | Circuit Board         |
| 4          | 2003842  | Control Knob          |
| 5          | 2003841  | Retainer, Knob        |
| 6          | 1118894  | Switch, Rocker Arm    |
| 7          | 1113135  | Seal, Control Panel   |
| 8          | 489260   | Screw (3)             |
| 9          | 2000153  | Hole Plug (3)         |
| 10         | 1113774  | Shield, Control Panel |
| 11         | 1112613  | Socket, Light (2)     |
| 12         | 548049   | Light Bulb (2)        |
| 13         | 486194   | Screw                 |
| 14         | 2003758  | Wire, Light           |
| 15         | 2001141  | Channel, Wiring       |
| 16         | 1115375  | Clip, Wiring (2)      |

FOR ORDERING INFORMATION REFER TO PARTS PRICE LIST

# FREEZER CONTROL PANEL PARTS

For Models: KSSS42QDW05, KSSS42QDX05



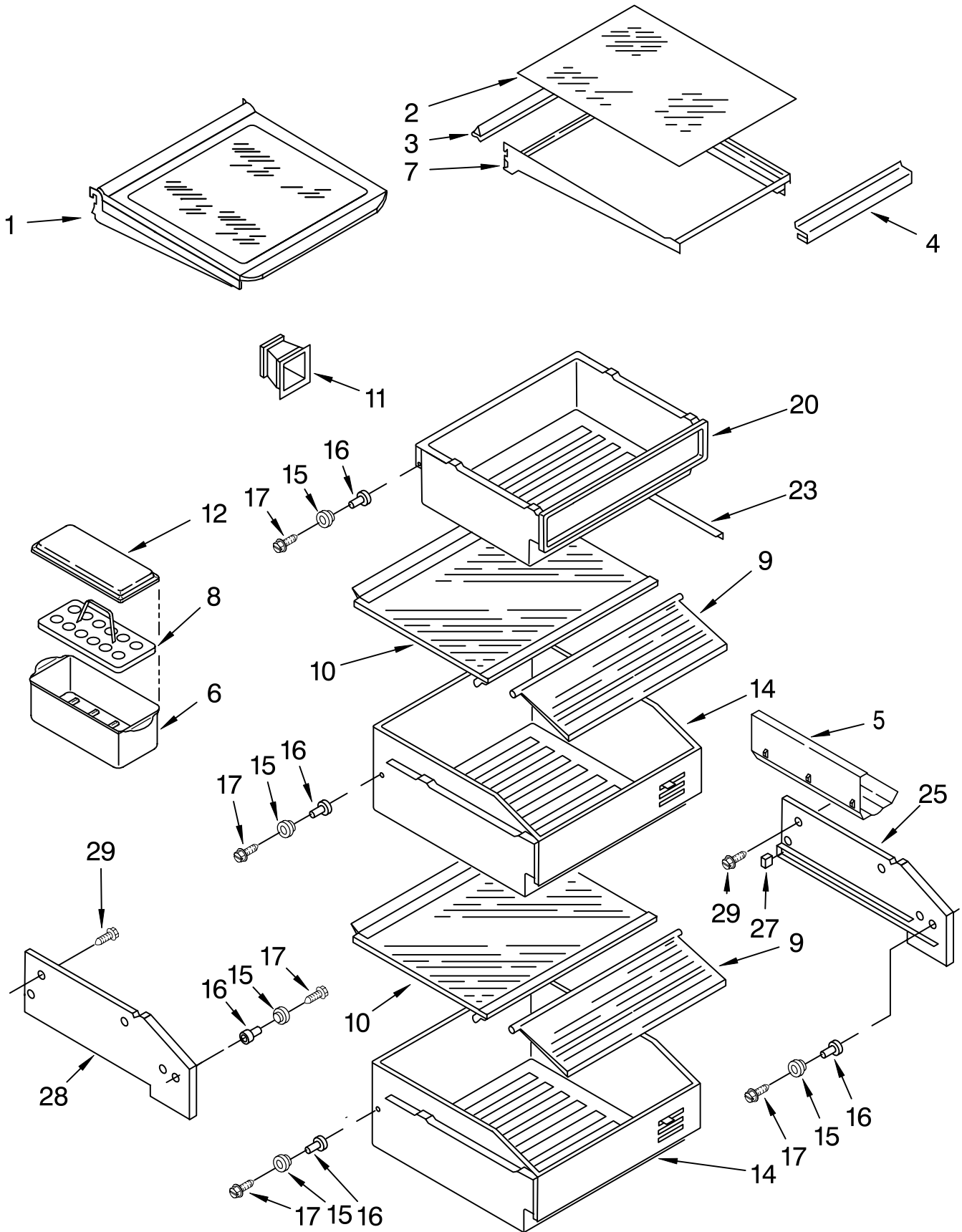
| Illus. No. | Part No. | DESCRIPTION                   |
|------------|----------|-------------------------------|
| 1          | 1113626  | Control Panel                 |
| 2          | 2003308  | Inlay, Control Panel          |
| 3          | 1113466  | Thermostat & Barrier Assembly |
| 4          | 488974   | Screw (2)                     |
| 5          | 1115373  | Switch, Rocker Arm            |
| 6          | 1113134  | Seal, Control Panel           |
| 8          | 489260   | Screw (3)                     |
| 9          | 2000153  | Hole Plug (3)                 |
| 10         | 1113768  | Shield, Control Panel         |
| 11         | 1112613  | Socket, Light                 |
| 12         | 486194   | Screw                         |
| 13         | 548049   | Light Bulb                    |
| 14         | 2001973  | Channel, Wiring               |
| 16         | 2182112  | Knob, Thermostat              |
| 17         | 1115375  | Clip, Wiring                  |

FOR ORDERING INFORMATION REFER TO PARTS PRICE LIST



# REFRIGERATOR SHELF PARTS

For Models: KSSS42QDW05, KSSS42QDX05



FOR ORDERING INFORMATION REFER TO PARTS PRICE LIST

# REFRIGERATOR SHELF PARTS

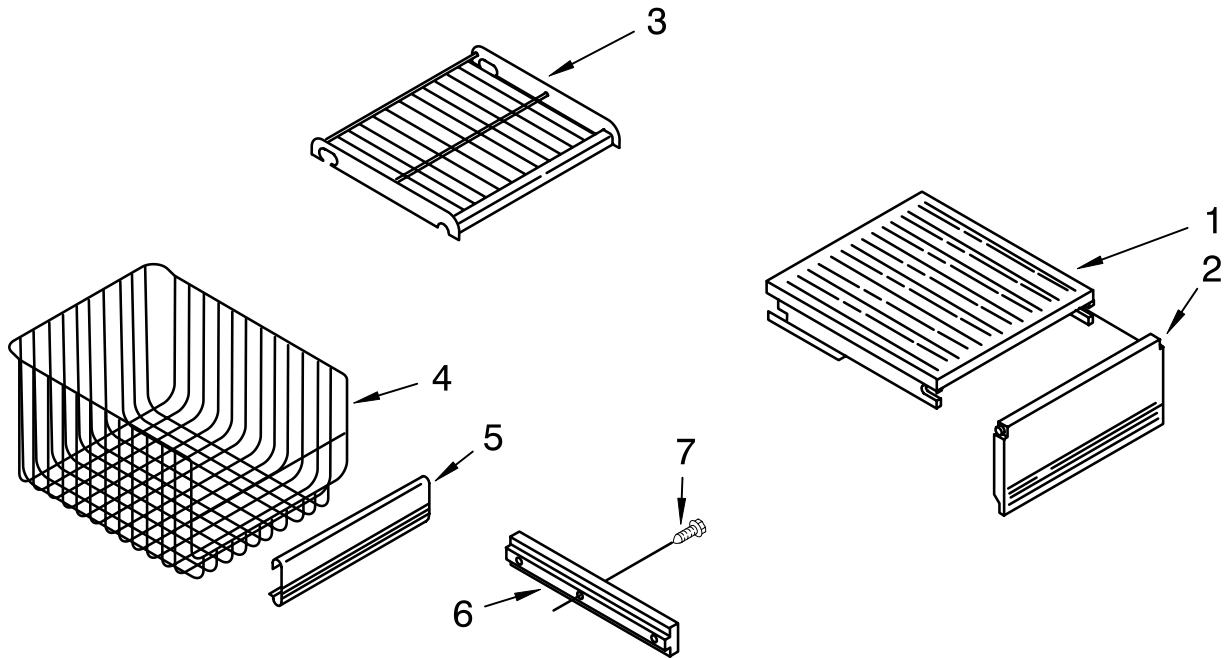
For Models: KSSS42QDW05, KSSS42QDX05

| <b>Illus.</b> | <b>Part</b> |                                   |
|---------------|-------------|-----------------------------------|
| <b>No.</b>    | <b>No.</b>  | <b>DESCRIPTION</b>                |
| 1             | 2174403     | Frame, Shelf                      |
| 2             | 2003376     | Glass, Shelf                      |
| 3             | 1113547     | Reflector, Shelf                  |
| 4             | 1113791     | Gasket, Glass (2)                 |
| 5             | 2179375     | Rack, Wine                        |
| 6             | 2169933     | Egg Bin                           |
| 7             | 2003326     | Frame, Assembly<br>Meat Pan       |
| 8             | 2164373     | Egg Carrier                       |
| 9             | 1113894     | Cover, Crisper                    |
| 10            | 2003379     | Glass, Crisper<br>(Includes #9)   |
| 11            | 2000742     | Meat Pan,<br>Connector            |
| 12            | 2169935     | Cover                             |
| 14            | 2003316     | Crisper Pan (2)                   |
| 15            | 2174388     | Roller                            |
| 16            | 2174478     | Eyelet, Roller                    |
| 17            | 489211      | Screw                             |
| 20            | 2003321     | Meat Pan                          |
| 23            | 2002181     | Retainer, Glass                   |
| 25            | 2003411     | Crisper Spacer,<br>Right Side (2) |
| 27            | 1113169     | Stop, Roller                      |
| 28            | 2003410     | Crisper Spacer,<br>Left Side (2)  |
| 29            | 486194      | Screw                             |

FOR ORDERING INFORMATION REFER TO PARTS PRICE LIST

# FREEZER SHELF PARTS

For Models: KSSS42QDW05, KSSS42QDX05

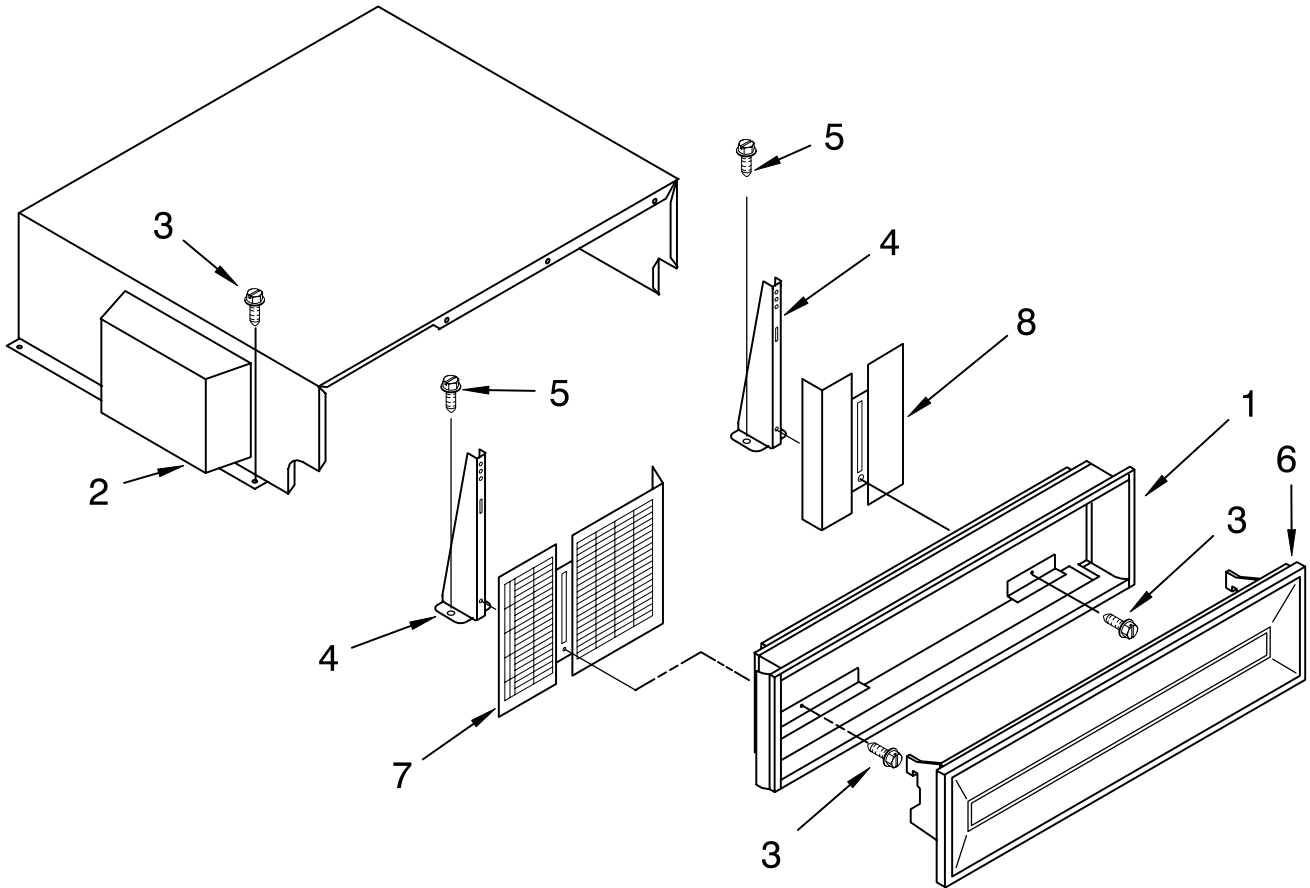


| Illus. No. | Part No. | DESCRIPTION               |
|------------|----------|---------------------------|
| 1          | 2003143  | Solid Shelf               |
| 2          | 2003134  | Front, Ice<br>Compartment |
| 3          | 1113637  | Shelf, Fixed (2)          |
|            | 1113565  | Shelf, Deep               |
| 4          | 2001625  | Basket                    |
| 5          | 2003113  | Trim, Basket              |
| 6          | 2000061  | Right Side                |
|            | 2000062  | Left Side                 |
| 7          | 486194   | Screw                     |

FOR ORDERING INFORMATION REFER TO PARTS PRICE LIST

# TOP GRILLE AND UNIT COVER PARTS

For Models: KSSS42QDW05, KSSS42QDX05

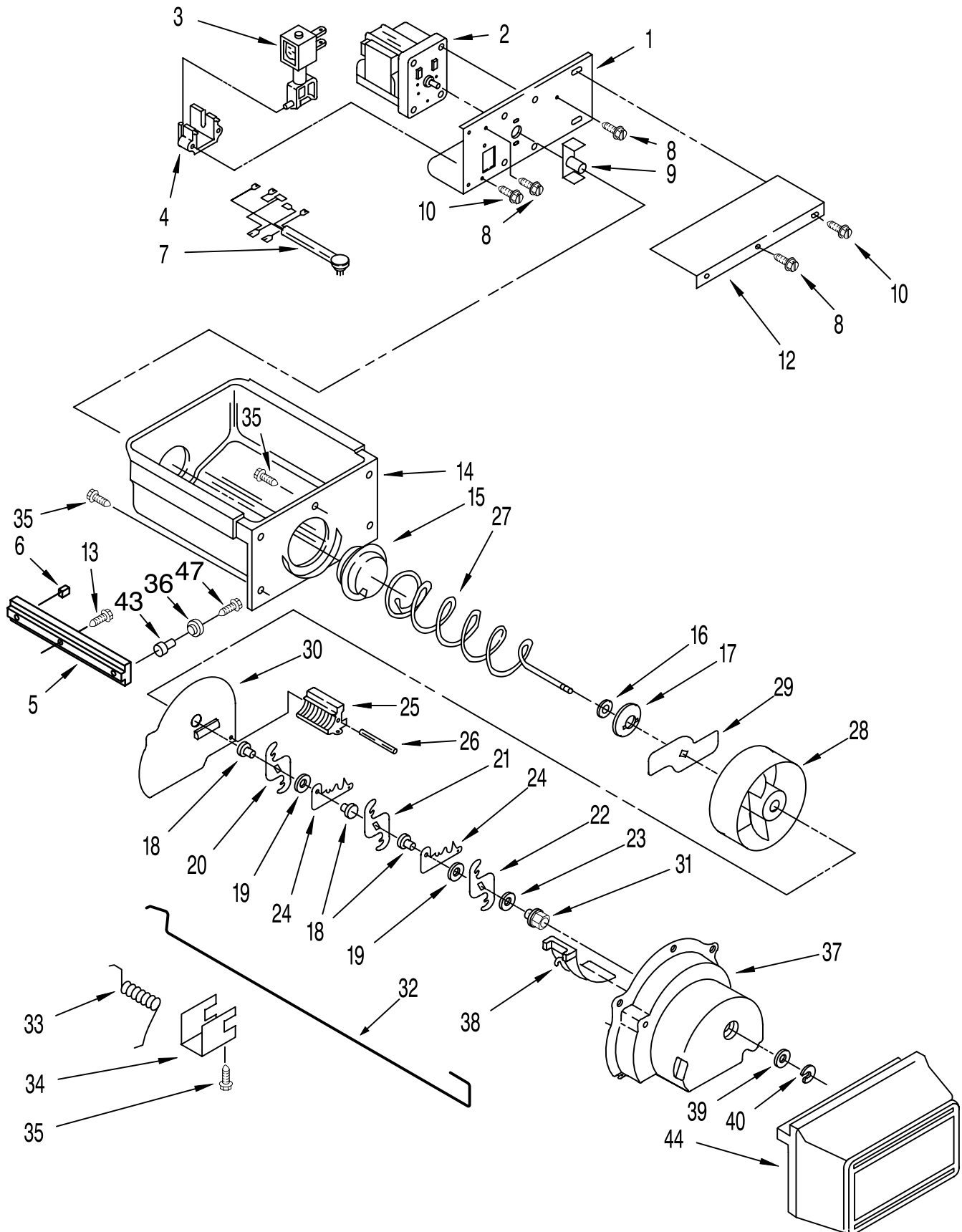


| Illus. No. | Part No. | DESCRIPTION               |
|------------|----------|---------------------------|
| 1          |          | Top Grille Assembly       |
|            | 2003717  | White                     |
|            | 2003714  | Stainless Steel           |
| 2          | 2004946  | Cover, Unit               |
| 3          | 486194   | Screw                     |
| 4          | 2002484  | Grille, Bracket           |
| 5          | 2001415  | Screw                     |
| 6          |          | Decorative Panel Assembly |
|            | 2003726  | White                     |
|            | 2003723  | Stainless Steel           |
| 7          | 2003480  | Guard, Compressor Wiring  |
| 8          | 2003482  | Guard, Water Valve Wiring |

FOR ORDERING INFORMATION REFER TO PARTS PRICE LIST

# MOTOR AND ICE CONTAINER PARTS

For Models: KSSS42QDW05, KSSS42QDX05



FOR ORDERING INFORMATION REFER TO PARTS PRICE LIST

# MOTOR AND ICE CONTAINER PARTS

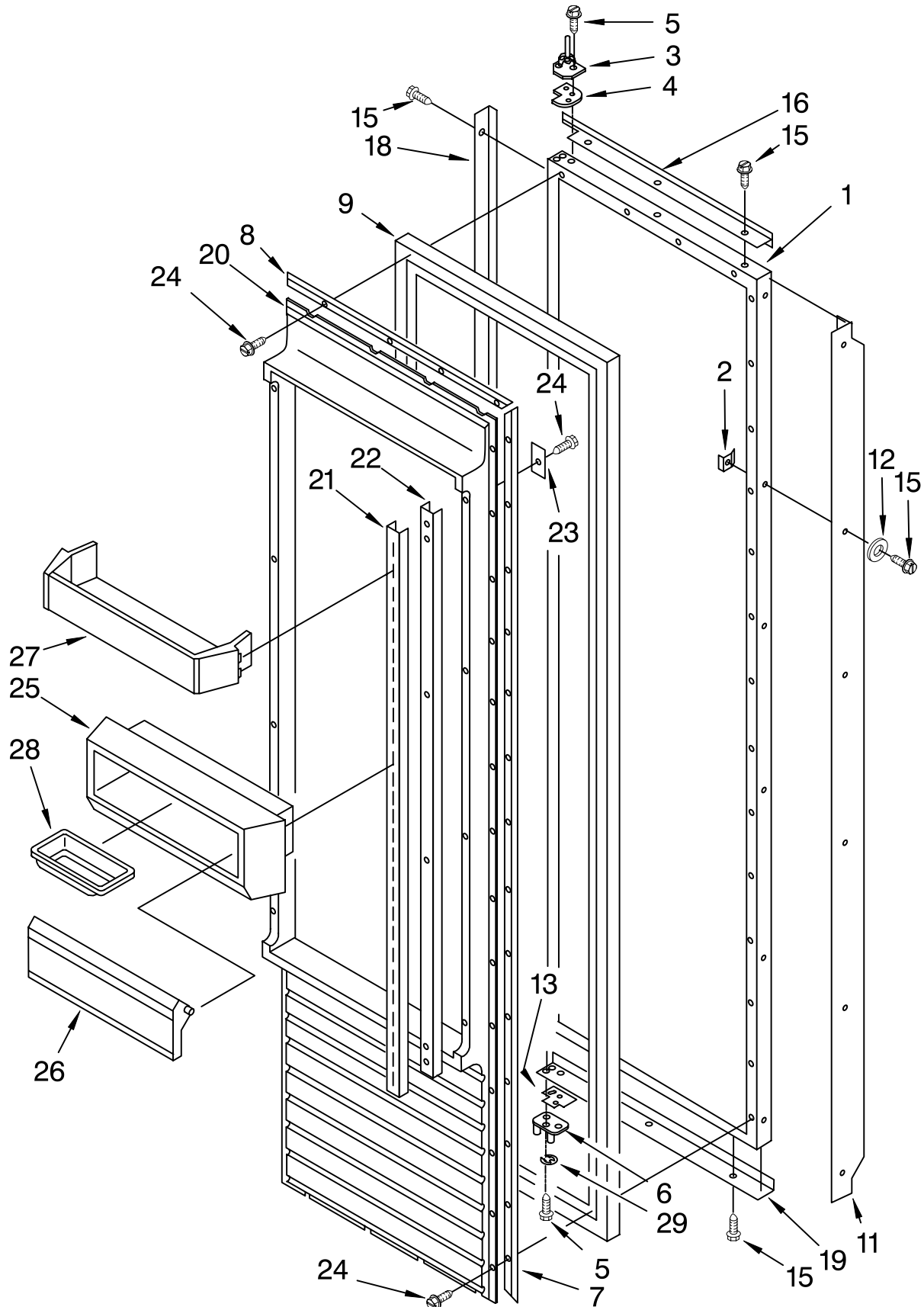
For Models: KSSS42QDW05, KSSS42QDX05

| <b>Illus. No.</b> | <b>Part No.</b> | <b>DESCRIPTION</b>                 |
|-------------------|-----------------|------------------------------------|
| 1                 | 2003940         | Bracket, Motor                     |
| 2                 | 2155263         | Motor, Dispenser                   |
| 3                 | 2003979         | Solenoid Assembly                  |
| 4                 | 2149100         | Guide, Solenoid                    |
| 5                 |                 | Slide, Container                   |
|                   | 2002720         | Right Side                         |
|                   | 2002721         | Left Side                          |
| 6                 | 1113169         | Stop, Roller                       |
| 7                 | 2004006         | Wiring Assembly,<br>Ice Dispenser  |
| 8                 | 489399          | Screw                              |
| 9                 | 983663          | Coupling, Motor                    |
| 10                | 489478          | Screw                              |
| 12                | 1113129         | Cover, Motor                       |
| 13                | 486194          | Screw                              |
| 14                | 2002726         | Ice Container                      |
| 15                | 983668          | Coupling, Conveyor                 |
| 16                | 1118480         | Stop, Cone                         |
| 17                | 1119074         | Feeder Cone                        |
| 18                | 1119005         | Spacer, Step (3)                   |
| 19                | 1119007         | Spacer, Flat (2)                   |
| 20                | 1119006         | Blade, Rotary                      |
| 21                | 1119012         | Blade, Rotary                      |
| 22                | 1119013         | Blade, Rotary                      |
| 23                | 489235          | Washer, Plain                      |
| 24                | 1119009         | Blade, Fixed (2)                   |
| 25                | 2157405         | Block, Blade                       |
| 26                | 489229          | Roll Pin                           |
| 27                | 2160602         | Conveyor                           |
| 28                | 2171681         | Drum                               |
| 29                | 1118470         | Drive Bar                          |
| 30                | 2171682         | Floating Baffle                    |
| 31                | 1119018         | Nut, Bearing                       |
| 32                | 2002728         | Control Arm                        |
| 33                | 1119020         | Spring, Return                     |
| 34                | 1119021         | Retainer Clip, Rod                 |
| 35                | 488886          | Screw                              |
| 36                | 2174388         | Roller                             |
| 37                | 2180348         | Housing, Crusher                   |
| 38                | 1119017         | Deflector, Ice                     |
| 39                | 489234          | Washer, Plain                      |
| 40                | 489236          | Retainer Ring                      |
| 43                | 2174478         | Eyelet, Roller                     |
| 44                | 2002723         | Front Cover,<br>Ice Container      |
| 47                | 489211          | Screw                              |
| 100               | 2002926         | Complete Ice<br>Container Assembly |

FOR ORDERING INFORMATION REFER TO PARTS PRICE LIST

# REFRIGERATOR DOOR PARTS

For Models: KSSS42QDW05, KSSS42QDX05



FOR ORDERING INFORMATION REFER TO PARTS PRICE LIST

# REFRIGERATOR DOOR PARTS

For Models: KSSS42QDW05, KSSS42QDX05

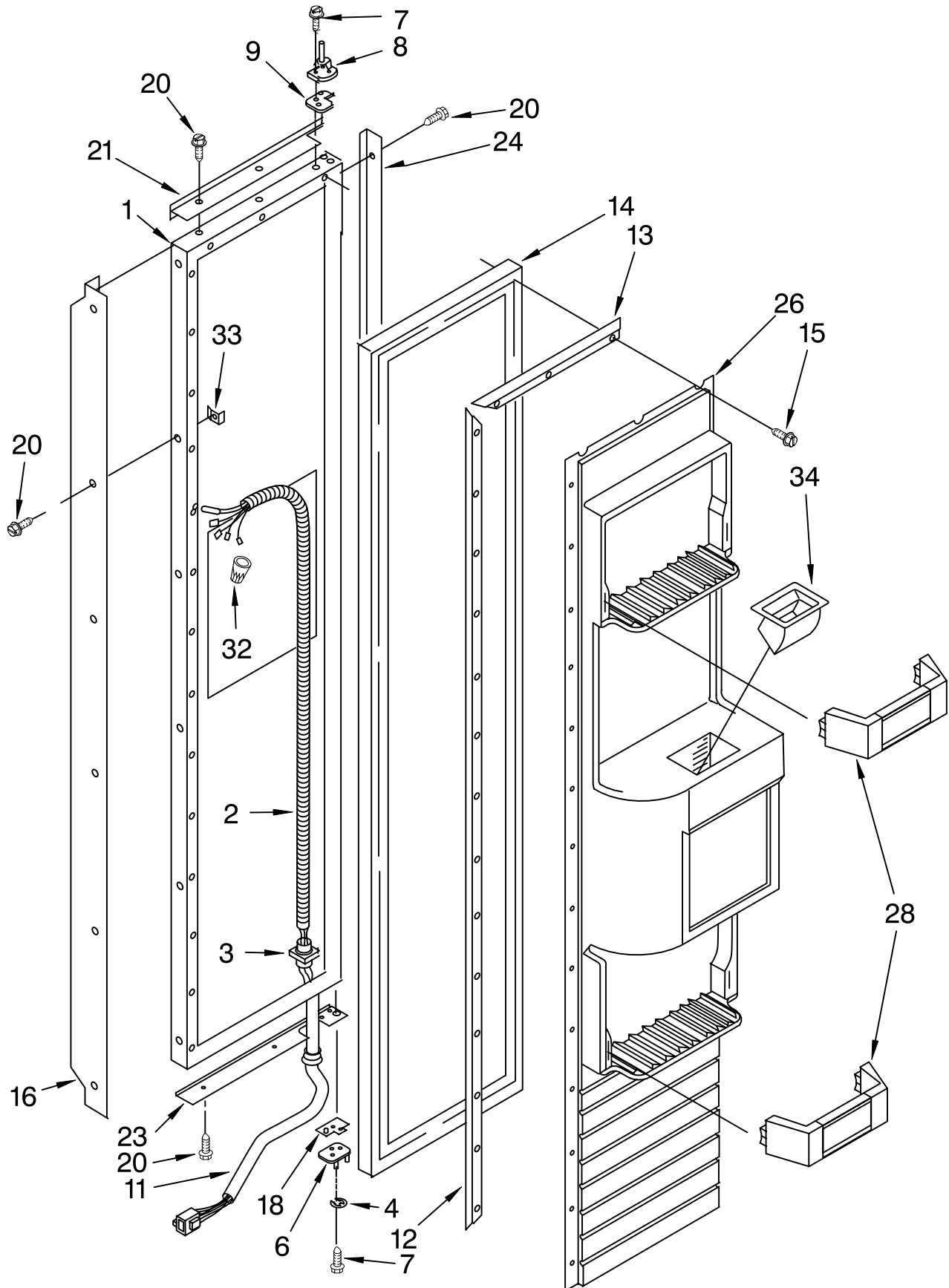
| Illus. No. | Part No. | DESCRIPTION                                   |
|------------|----------|---|
| 1          | 2003871  | Refrigerator Door Panel (Includes Insulation) |
| 2          | 939101   | Screw Anchor (8)                              |
| 3          | 2004521  | Hinge Assembly, Top                           |
| 4          | 2004520  | Spacer-Door, Top                              |
| 5          | 489282   | Screw   |
| 6          | 2004523  | Hinge Assembly, Bottom                        |
| 7          | 1112533  | Gasket Retainer, Side (2)                     |
| 8          | 1112541  | Gasket Retainer, Top & Bottom                 |
| 9          | 2000880  | Door Gasket, Magnetic                         |
| 11         |          | Handle, Door                                  |
|            | 2003680  | White   |
|            | 2003679  | Stainless Steel                               |
| 12         | 2001230  | Washer  |
| 13         | 2004549  | Door, Spacer Bottom                           |
| 15         |          | Screw   |
|            | 2001208  | White   |
|            | 487052   | Stainless Steel                               |
| 16         |          | Trim (Top)                                    |
|            | 2005014  | White   |
|            | 2005011  | Stainless Steel                               |
| 18         |          | Trim (Side)                                   |
|            | 2003676  | White   |
|            | 2003675  | Stainless Steel                               |
| 19         |          | Trim (Bottom)                                 |
|            | 2003667  | White   |
|            | 2003664  | Stainless Steel                               |
| 20         | 1113953  | Panel, Interior Door                          |
| 21         | 1113951  | Ladder, Shelf (2)                             |
| 22         | 1112530  | Retainer, Shelf Ladder (2)                    |
| 23         | 1112514  | Back Up Plate (8)                             |
| 24         | 486194   | Screw   |
| 25         | 1112721  | Bin, Utility                                  |
| 26         | 2003464  | Door, Utility Bin                             |
| 27         | 2003131  | Door Shelf (4)                                |
| 28         | 2165792  | Butter Tray                                   |
| 29         | 2004881  | Retaining Ring, Door-Closure                  |

FOR ORDERING INFORMATION REFER TO PARTS PRICE LIST



# FREEZER DOOR PARTS

For Models: KSSS42QDW05, KSSS42QDX05



FOR ORDERING INFORMATION REFER TO PARTS PRICE LIST

# FREEZER DOOR PARTS

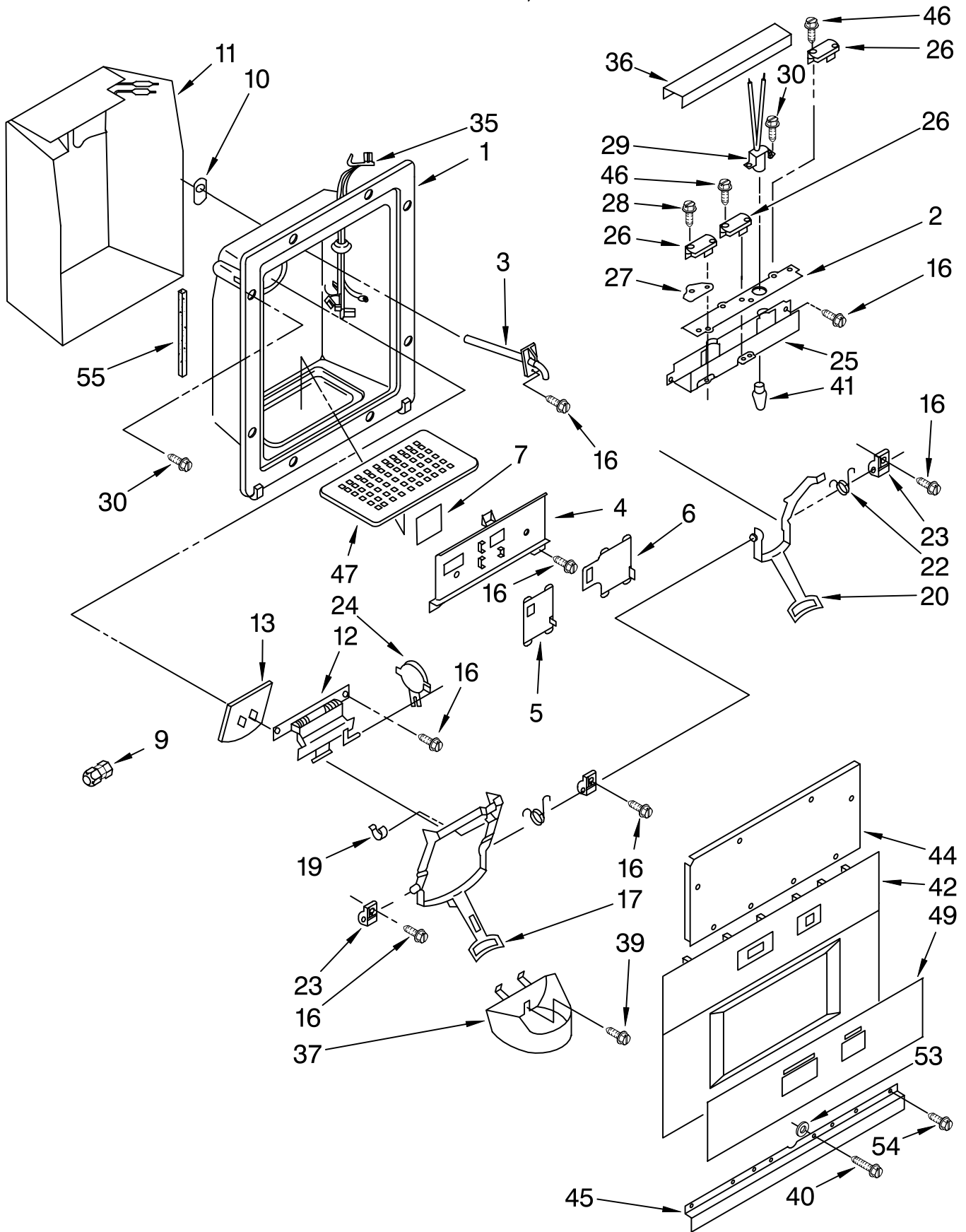
For Models: KSSS42QDW05, KSSS42QDX05

| Illus.<br>No. | Part<br>No. | DESCRIPTION                              |
|---------------|-------------|--|
| 1             | 2004885     | Freezer Door Panel (Includes Insulation) |
| 2             | 1112997     | Tube, Wiring                             |
| 3             | 1112928     | Retainer, Tube                           |
| 4             | 2004881     | Retaining Ring, Door-Closure             |
| 6             | 2004524     | Hinge, Bottom                            |
| 7             | 489282      | Screw                                    |
| 8             | 2004521     | Hinge, Top                               |
| 9             | 2004520     | Spacer-Door, Top                         |
| 11            | 2004924     | Wiring Harness, Freezer Door             |
| 12            | 1112533     | Gasket Retainer, Side (2)                |
| 13            | 1112540     | Gasket Retainer, Top & Bottom            |
| 14            | 2000879     | Door Gasket, Magnetic                    |
| 15            | 486194      | Screw (34)                               |
| 16            |             | Handle, Door                             |
|               | 2003682     | White                                    |
|               | 2003681     | Stainless Steel                          |
| 18            | 2004549     | Door, Spacer                             |
| 20            |             | Screw                                    |
|               | 2001208     | White                                    |
|               | 487052      | Stainless Steel                          |
| 21            |             | Trim (Top)                               |
|               | 2005023     | White                                    |
|               | 2005020     | Stainless Steel                          |
| 23            |             | Trim (Bottom)                            |
|               | 2004670     | White                                    |
|               | 2004561     | Stainless Steel                          |
| 24            |             | Trim (Side)                              |
|               | 2003678     | White                                    |
|               | 2003677     | Stainless Steel                          |
| 26            | 2002839     | Panel, Interior Door                     |
| 28            | 2003128     | Shelf Bin (2)                            |
| 32            | 547217      | Wire Connector                           |
| 33            | 939101      | Screw Anchor                             |
| 34            | 2002733     | Ice Chute                                |

FOR ORDERING INFORMATION REFER TO PARTS PRICE LIST

# DISPENSER AND FRONT PARTS

For Models: KSSS42QDW05, KSSS42QDX05



FOR ORDERING INFORMATION REFER TO PARTS PRICE LIST

# DISPENSER AND FRONT PARTS

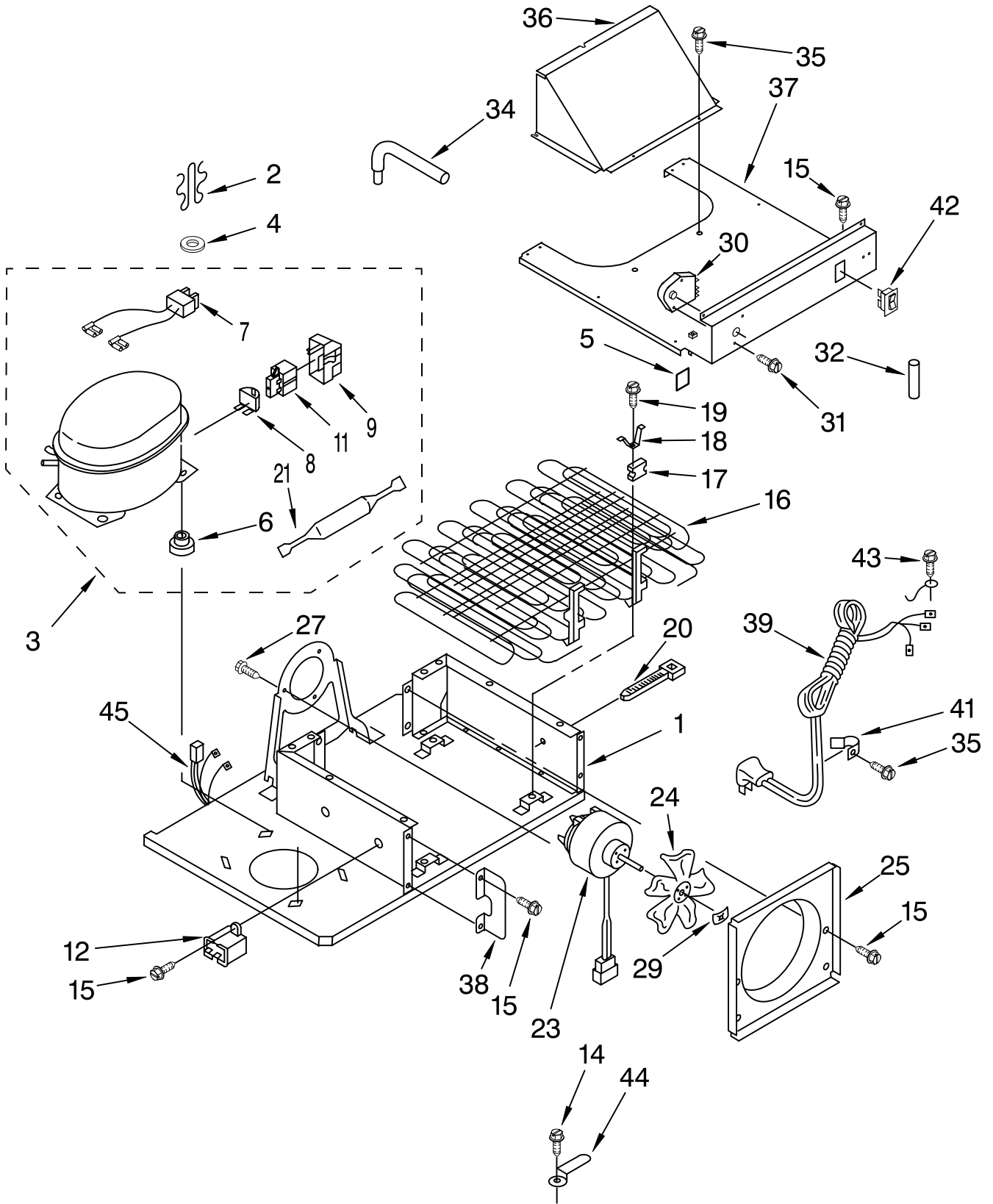
For Models: KSSS42QDW05, KSSS42QDX05

| Illus. No. | Part No. | DESCRIPTION        | Illus. No. | Part No. | DESCRIPTION        | Illus. No. | Part No. | DESCRIPTION      |
|------------|----------|--------------------|------------|----------|--------------------|------------|----------|------------------|
| 1          |          | Housing, Dispenser | 16         | 489000   | Screw              | 39         |          | Screw            |
|            | 1124715  | White              | 17         |          | Lever, Ice         |            | 488892   | White            |
|            | 1107943  | Black              |            |          | Dispenser          |            | 489197   | Stainless Steel  |
| 2          | 2147164  | Insulator, Bracket |            | 1124718  | White              | 40         | 487052   | Screw            |
|            |          | Control            |            | 1127421  | Black              | 41         | 851389   | Light Bulb       |
| 3          | 2182193  | Water Fitting      | 19         | 987917   | Bearing, Clip      | 42         |          | Front Cover,     |
|            |          | Assembly (Includes | 20         |          | Lever, Water       |            |          | Housing          |
|            |          | Water Tube)        |            |          | Dispenser          |            |          | (Includes #49)   |
| 4          |          | Frame, Slides      |            | 2159197  | White              |            | 2002880  | White            |
|            | 2152717  | White              |            | 2159196  | Black              |            | 2002877  | Black            |
|            | 2152716  | Black              | 22         | 983696   | Spring, Lever      | 44         | 2002730  | Cover, Dispenser |
| 5          |          | Slide, Cube/Crush  | 23         | 983697   | Bearing, Lever     |            |          | Opening          |
|            |          | Switch             | 24         | 1120581  | Delay Mechanism    | 45         |          | Trim, Front (2)  |
|            | 2152720  | White              | 25         | 2147163  | Bracket, Control   |            | 2003597  | White            |
|            | 2152719  | Black              | 26         | 2162361  | Switch (4)         |            | 2003594  | Stainless Steel  |
| 6          |          | Slide, Light       | 27         | 625834   | Insulation, Switch | 46         | 489155   | Screw            |
|            |          | Switch             | 28         | 488361   | Screw              | 47         |          | Grille, Overflow |
|            | 2152726  | White              | 29         | 2147131  | Lamp Holder        |            | 1126120  | White            |
|            | 2152724  | Black              | 30         | 488500   | Screw              |            | 2152678  | Chrome           |
| 7          | 2147172  | Heat Shield, Frame | 35         | 2147166  | Wiring Harness,    | 49         |          | Overlay, Cover   |
| 9          | 2150347  | Union              |            |          | Door               |            | 2002892  | White            |
| 10         | 987048   | Grommet            | 36         | 2147165  | Wiring Shield      |            | 2002889  | Black            |
| 11         | 2149097  | Heater, Ice        | 37         |          | Guiding, Ice       | 53         | 487944   | Washer (2)       |
|            |          | Dispenser          |            | 1124730  | White              | 54         | 488568   | Screw (2)        |
| 12         | 2147167  | Ice Door Mechanism |            | 1119035  | Black              | 55         | 482672   | Seal             |
| 13         | 2147168  | Door, Ice          |            |          |                    |            |          |                  |

FOR ORDERING INFORMATION REFER TO PARTS PRICE LIST

# UPPER UNIT PARTS

For Models: KSSS42QDW05, KSSS42QDX05



FOR ORDERING INFORMATION REFER TO PARTS PRICE LIST

# UPPER UNIT PARTS

For Models: KSSS42QDW05, KSSS42QDX05

| Illus. No. | Part No. | DESCRIPTION   |
|------------|----------|---|
| 1          | 2003398  | Assembly, Unit Base   |
| 2          | 2163787  | Clip, Compressor Mounting (4)   |
| 3          | 2183419  | Compressor (Includes Items 7, 8, 9, 11, 12 & 21) (Also Order 876765 Tube Kit) |
| 4          | 680975   | Washer  |
| 5          | 2003389  | Bushing, Foam   |
| 6          | 2163786  | Grommet, Mounting   |
| 7          | 2172890  | Wire Assembly   |
| 8          | 2154697  | Overload (Includes Relay)   |
| 9          | 2162358  | Terminal Cover  |
| 11         |          | Relay (See Overload)  |
| 12         | 2169137  | Capacitor   |
| 14         | 486899   | Screw   |
| 15         | 487869   | Screw   |
| 16         | 2003392  | Condenser   |
| 17         | 943447   | Grommet (4)   |
| 18         | 1113019  | Clamp (4)   |

| Illus. No. | Part No. | DESCRIPTION                      |
|------------|----------|----------------------------------|
| 19         | 487522   | Screw                            |
| 20         | 851095   | Wire Tie (2)                     |
| 21         | 2164492  | Drier                            |
| 23         | 2169135  | Motor, Fan                       |
| 24         | 1108179  | Blade, Fan                       |
| 25         | 2003169  | Orifice, Fan                     |
| 27         | 489099   | Screw (3)                        |
| 29         | 486692   | Speed Nut                        |
| 30         | 2162044  | Defrost Timer                    |
| 31         | 488911   | Screw                            |
| 32         | 2000645  | Sleeve, Condenser                |
| 34         | 2003011  | Process, Tube                    |
| 35         | 486194   | Screw                            |
| 36         | 2003174  | Cover, Fan                       |
| 37         | 2003355  | Cover, Condenser                 |
| 38         | 2003263  | Air Vane                         |
| 39         | 2003381  | Service Cord                     |
| 41         | 1113162  | Clamp, Cord (2)                  |
| 42         | 1113229  | Switch, Power Disconnect         |
| 43         | 488879   | Screw, Ground                    |
| 44         | 653035   | Clip, Cord Plug                  |
| 45         | 2003356  | Wiring Harness, Unit Compartment |

| Illus. No.  | Part No. | DESCRIPTION |
|---|----------|-------------|
| Following Parts Not Illustrated and Optional Parts Not Included |          |             |

- 978025 Valve, Access (1/4")
- 978026 Valve, Access (5/16")
- 978027 Valve, Access (3/8")
- 978028 Valve, Access (1/2")
- 978029 Valve, Access (5/8")
- 978030 Valve, Access (3/4")
- 876764 Valve, Access (3/16")

### REFRIGERANT CHARGE

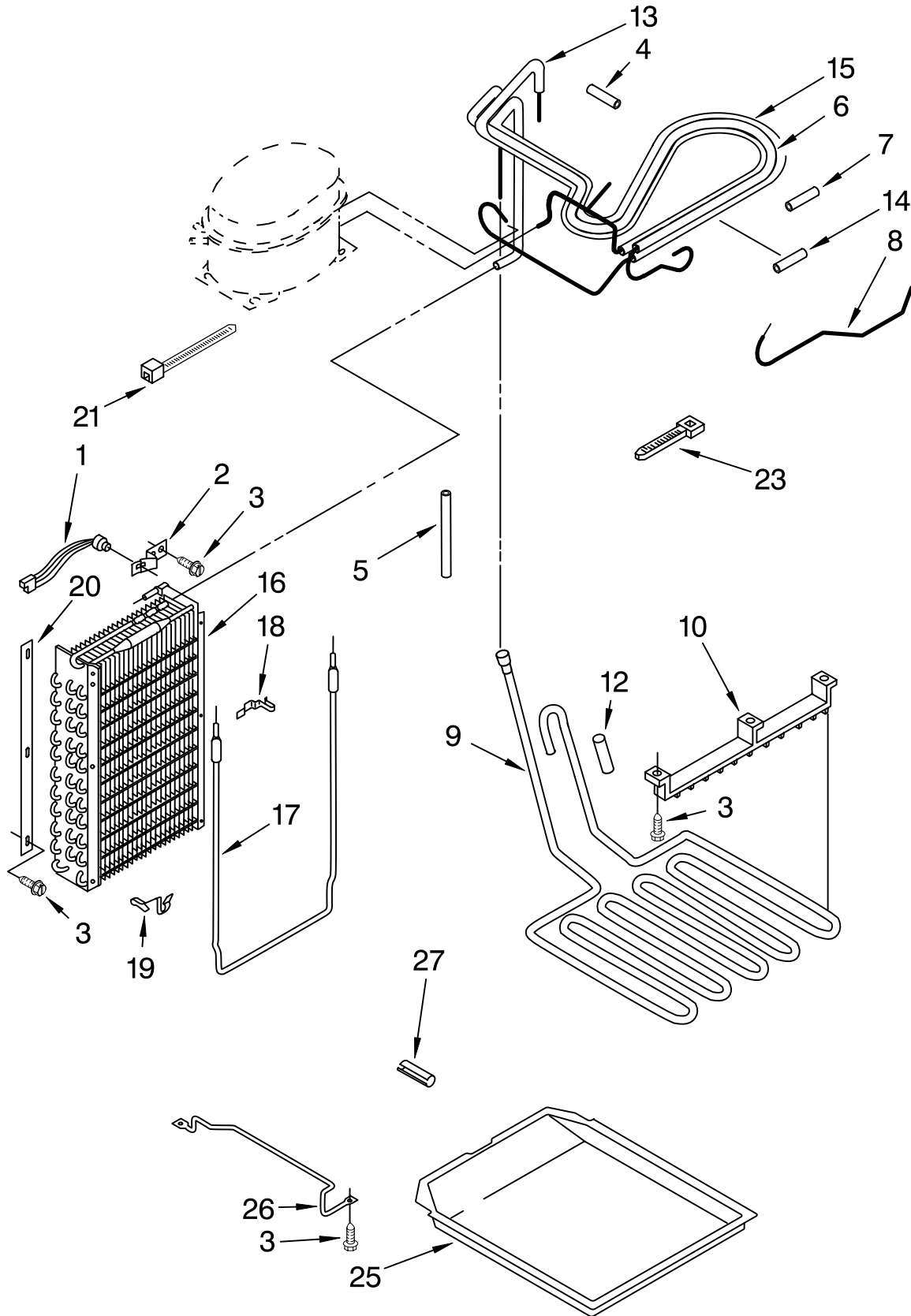
6.75 oz.  
(R-134A)



FOR ORDERING INFORMATION REFER TO PARTS PRICE LIST

# LOWER UNIT AND TUBE PARTS

For Models: KSSS42QDW05, KSSS42QDX05



FOR ORDERING INFORMATION REFER TO PARTS PRICE LIST

# LOWER UNIT AND TUBE PARTS

For Models: KSSS42QDW05, KSSS42QDX05

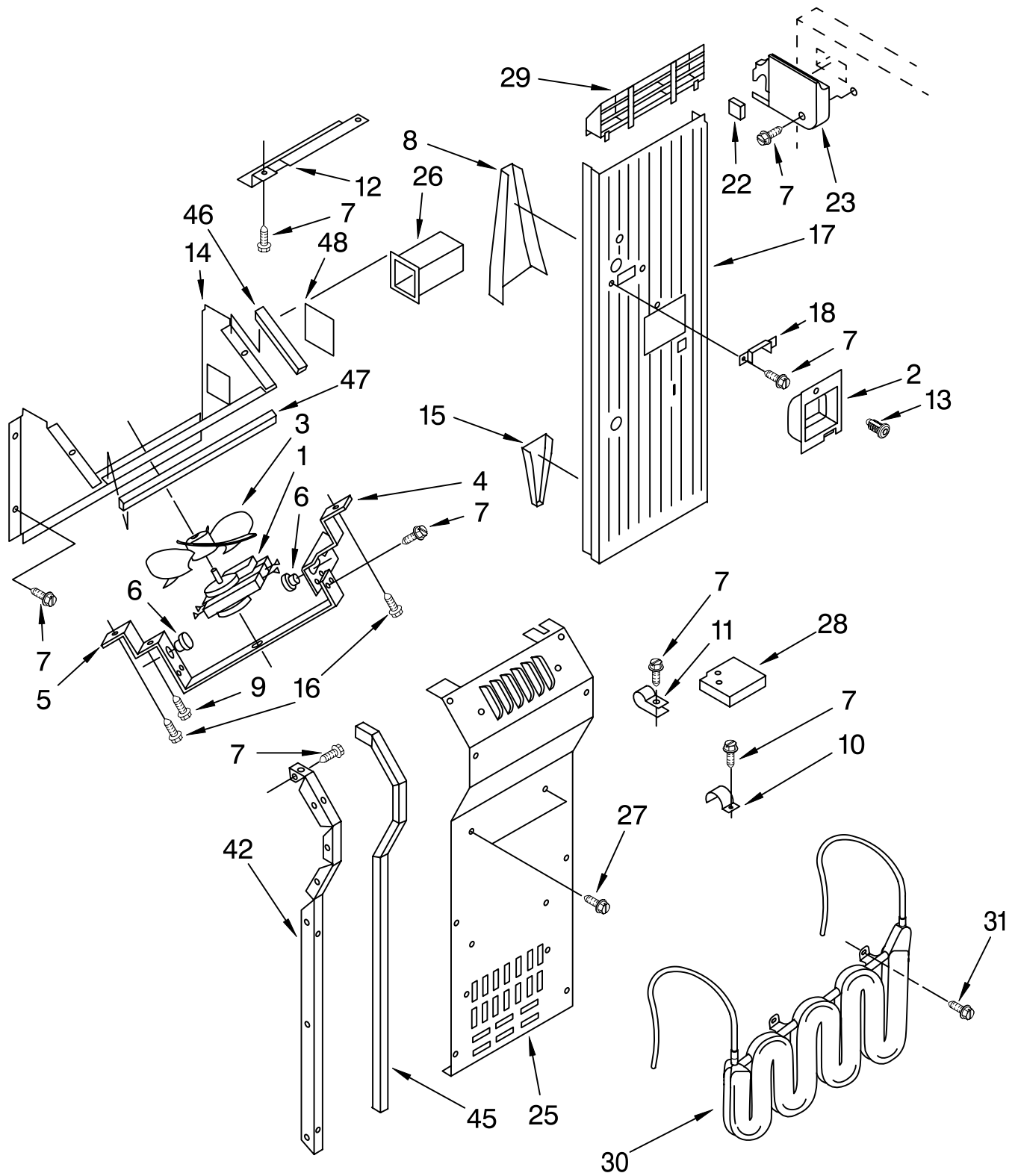
| <u>Illus.</u><br><u>No.</u> | <u>Part</u><br><u>No.</u> | <u>DESCRIPTION</u>       |
|-----------------------------|---------------------------|--------------------------|
| 1                           | 2000528                   | Defrost Bi-Metal         |
| 2                           | 1113043                   | Clamp, Bi-Metal          |
| 3                           | 486194                    | Screw                    |
| 4                           | 2003271                   | Sleeve                   |
| 5                           | 2002171                   | Sleeve                   |
| 6                           | 2002999                   | Condenser<br>Inlet Tube  |
| 7                           | 2003484                   | Sleeve                   |
| 8                           | 2003015                   | Tube, Connect<br>(Drier) |
| 9                           | 2004545                   | Heater, Drain Pan        |
| 10                          | 1113062                   | Hanger, Heater           |
| 12                          | 2002448                   | Sleeve                   |
| 13                          | 2002995                   | Tube, Discharge          |
| 14                          | 2003272                   | Sleeve                   |
| 15                          | 2003002                   | Heat Exchanger           |
| 16                          | 2002965                   | Evaporator               |
| 17                          | 2000631                   | Heater, Defrost          |
| 18                          | 1113048                   | Clamp, Heater (2)        |
| 19                          | 1108431                   | Clamp, Heater (2)        |
| 20                          | 1112844                   | Gasket, Evaporator       |
| 21                          | 857547                    | Wire Tie                 |
| 23                          | 851095                    | Strap                    |
| 25                          | 2001264                   | Drain Pan                |
| 26                          |                           | Bracket, Drain Pan       |
|                             | 1113206                   | Left                     |
|                             | 1113207                   | Right                    |
| 27                          | 513942                    | Dampener                 |

FOR ORDERING INFORMATION REFER TO PARTS PRICE LIST



# AIR FLOW AND RESERVOIR PARTS

For Models: KSSS42QDW05, KSSS42QDX05



FOR ORDERING INFORMATION REFER TO PARTS PRICE LIST

# AIR FLOW AND RESERVOIR PARTS

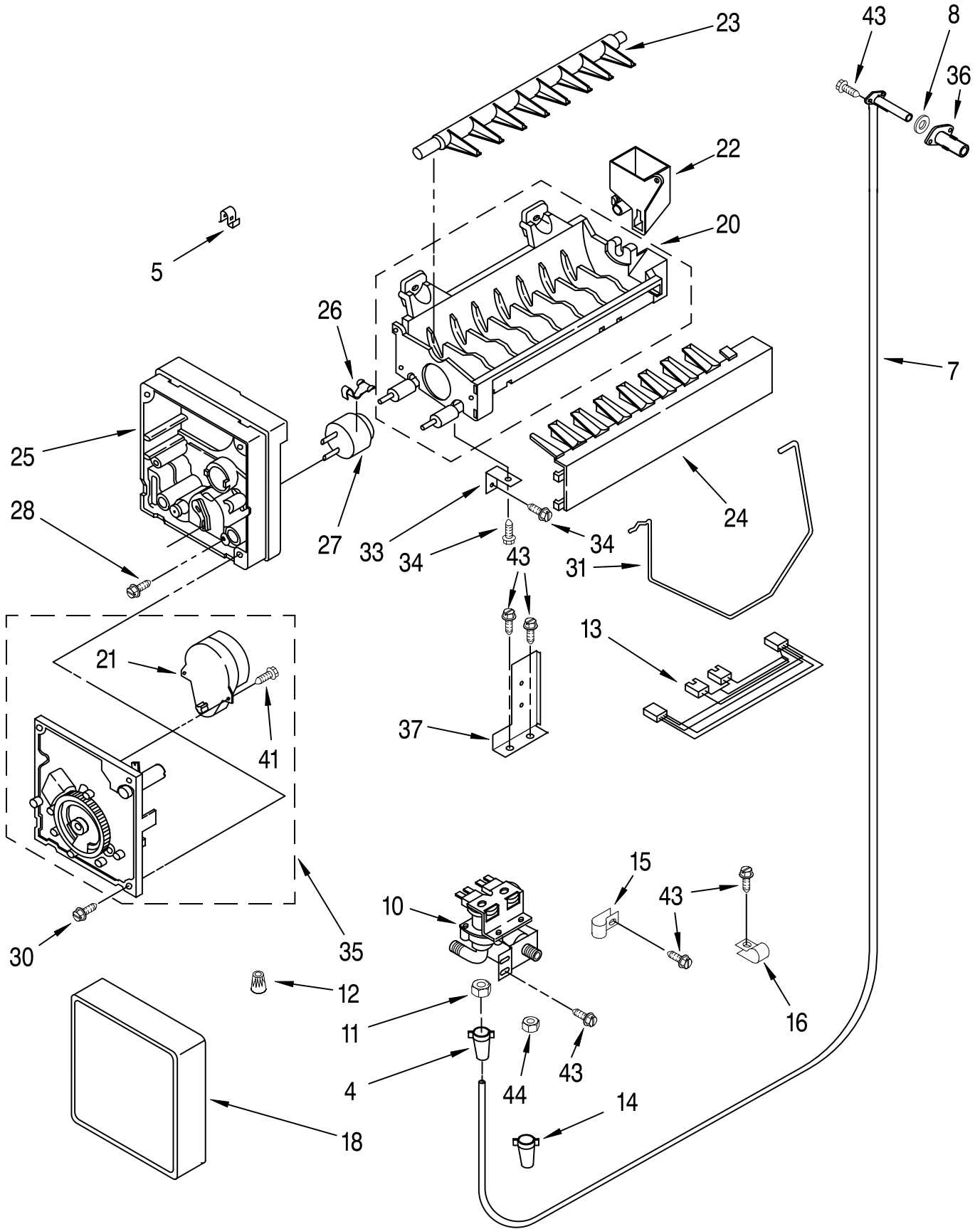
For Models: KSSS42QDW05, KSSS42QDX05

| Illus. No. | Part No. | DESCRIPTION                    |
|------------|----------|--------------------------------|
| 1          | 2003200  | Fan Motor                      |
| 2          | 2002732  | Cup, Clearance                 |
| 3          | 2169142  | Fan Blade                      |
| 4          | 548263   | Bracket (Double)               |
| 5          | 938224   | Bracket (Single)               |
| 6          | 548268   | Grommet                        |
| 7          | 486194   | Screw                          |
| 8          | 2003925  | Deflector,<br>Air Duct         |
| 9          | 488500   | Screw, Ground                  |
| 10         | 488366   | Clamp, Tube                    |
| 11         | 489348   | Clamp, Nylon                   |
| 12         | 2001145  | Channel, Wiring                |
| 13         | 1112871  | Fastner                        |
| 14         | 2000783  | Scroll, Fan                    |
| 15         | 2003928  | Deflector,<br>Air Duct         |
| 16         | 488772   | Screw                          |
| 17         | 2004906  | Assembly, Air Duct             |
| 18         | 2000048  | Air Deflector,<br>Icemaker     |
| 22         | 1112869  | Gasket, Air Baffle             |
| 23         | 2003576  | Cover, Air Outlet              |
| 25         | 2005036  | Cover, Evaporator              |
| 26         | 2000795  | Connector, Meat<br>Pan Duct    |
| 27         | 487539   | Screw                          |
| 28         | 1112840  | Baffle, Evaporator             |
| 29         | 1112852  | Diffuser, Air Duct             |
| 30         | 2004947  | Reservoir                      |
| 31         | 488280   | Screw                          |
| 42         |          | Evaporator,<br>Cover Rail      |
|            | 2000686  | Left Side                      |
|            | 2000685  | Right Side                     |
| 45         | 2001337  | Gasket (2)<br>Evaporator Cover |
| 46         | 2001079  | Gasket (2)                     |
| 47         | 2001080  | Gasket                         |
| 48         | 2001081  | Gasket                         |

FOR ORDERING INFORMATION REFER TO PARTS PRICE LIST

# ICEMAKER PARTS

For Models: KSSS42QDW05, KSSS42QDX05



FOR ORDERING INFORMATION REFER TO PARTS PRICE LIST

# ICEMAKER PARTS

For Models: KSSS42QDW05, KSSS42QDX05

| Illus.<br>No. | Part<br>No. | DESCRIPTION                  | Illus.<br>No. | Part<br>No. | DESCRIPTION  | Illus.<br>No. | Part<br>No. | DESCRIPTION                                    |
|---------------|-------------|------------------------------|---------------|-------------|--|---------------|-------------|--|
| 4             | 841707      | Insert, Tube                 | 20            | 628228      | Mold & Heater<br>(Also Order<br>542638 Silicone<br>Grease) | 31            | 2171593     | Shut Off Arm                                   |
| 5             | 628379      | Clip, Fuse                   |               |             |  | 33            | 2171952     | Bracket  |
| 7             | 2005009     | Water Inlet<br>Tube Assembly |               |             |  | 34            | 489478      | Screw  |
| 8             | 1106508     | Seal Gasket                  | 21            | 628398      | Motor  | 35            | 628399      | Module Assembly<br>(Includes Items<br>21 & 41) |
| 10            | 2003791     | Valve, Solenoid              | 22            | 628356      | Cup-Water Fill   |               |             |  |
| 11            | 627018      | Nut, Compression             | 23            | 627843      | Ejector  | 36            | 2005034     | Heater, Fill<br>Tube                           |
| 12            | 227991      | Connector, Wire              | 24            | 2182124     | Ice Striper  | 37            | 2004914     | Water Valve<br>Mounting Bracket                |
| 13            | 2004547     | Water Valve,<br>Harness      | 25            | 2194712     | Support  |               |             |  |
| 14            | 1129177     | Insert, Tube                 | 26            | 627796      | Retainer<br>Thermostat (2)                                 | 41            | 489136      | Screw (2)                                      |
| 15            | 489348      | Clamp, Nylon<br>Valve        | 27            | 627985      | Thermostat<br>(Also Order<br>542639 Cement<br>Alumilastic) | 43            | 486194      | Screw  |
| 16            | 488946      | Clamp Tube                   |               |             |  | 44            | 1129179     | Compression Nut                                |
| 18            | 2174155     | Cover                        | 28            | 489322      | Screw  | 100           | 4317943     | Complete Ice maker<br>Assembly                 |
|               |             |                              | 30            | 489276      | Screw  |               |             |  |

## PARTS NOT ILLUSTRATED

| Illus.<br>No.  | Part<br>No. | DESCRIPTION |
|--|-------------|-------------|
| Following Parts Not Illustrated<br>(Optional Parts Only) |             |             |

- 4378651 Front Panel Kit  
(White)
- 4378654 Front Panel Kit  
(Black)
- 4378657 Front Panel Kit  
(Almond)
- 4378660 Front Panel Kit  
(Stainless Steel)

Black Acrylic  
Static Cleaner Part No. 978849

### LITERATURE PARTS

- LIT2004846 Use & Care Guide
- LIT2004990 Energy Label
- LIT2004863 Service & Wiring  
Sheet
- LIT628370 Modular Ice maker  
Service Sheet
- LIT2004864 Installation  
Instructions

FOR ORDERING INFORMATION REFER TO PARTS PRICE LIST

## Free Manuals Download Website

<http://myh66.com>

<http://usermanuals.us>

<http://www.somanuals.com>

<http://www.4manuals.cc>

<http://www.manual-lib.com>

<http://www.404manual.com>

<http://www.luxmanual.com>

<http://aubethermostatmanual.com>

Golf course search by state

<http://golfingnear.com>

Email search by domain

<http://emailbydomain.com>

Auto manuals search

<http://auto.somanuals.com>

TV manuals search

<http://tv.somanuals.com>