

GAS BUILT-IN SINGLE & DOUBLE OVENS

MODEL (single):
KGBS 146S
MODEL (double):
KGBS 246S

INSTALLATION INSTRUCTIONS

INSTALLER: FINAL CHECK LIST

PLACEMENT OF UNIT

- 1. Properly positioned — level, aligned and square with cabinet opening.
- 2. Anchored securely to cabinet.
- 3. Oven must not be placed under countertop or microwave oven.

ELECTRICAL

- 1. Oven properly grounded.
- 2. Polarized three-wire 120 VAC, 15-20 Ampere receptacle with 15-20 ampere overcurrent protection provided for service cord connection.

GAS SUPPLY

- 1. Supply line of 3/8" black iron pipe provided.
- 2. Manual gas shutoff valve must be installed in accessible location. Do Not install shutoff valve behind oven.
- 3. Oven connections must be tested for gas leaks.

OPERATIONAL

- 1. If used on LP gas, verify that pressure regulator and orifice hoods have been modified for use with LP gas.
- 2. Oven racks installed and slide freely in all positions.
- 3. Knobs secured in place and rotate freely without rubbing on edge of control panel glass holes.
- 4. Selector switch functions in all modes.
- 5. All lights function properly.
- 6. Refer to use and care guide to set electronic clock.
- 7. Doors properly adjusted, open and close smoothly.
- 8. Unless instructed to leave for owner, remove all tags, labels and internal packing material.
- 9. Oven has been wiped clean to remove fingerprints and other smudges.

THANK YOU INSTALLER:

1. Complete Installation Check List.
2. Leave all literature for customer.
3. Notify dealer that installation is completed.

FOR DETAILED INSTRUCTIONS, FOLLOW METHODS DESCRIBED IN THIS FOLDER.

IMPORTANT: Read Before Installing to Save Time, Work, assure proper performance, and owner's warranty protection.

INSTALLATION INSTRUCTIONS

The oven installation must conform with local codes and ordinances and utility regulations. In the absence of local codes, installation must conform with American National Standard, National Fuel Gas Code ANSI Z223.1-latest edition. It is the customer's responsibility to contact a qualified electrical installer to assure that electrical installation is adequate and in conformance with National Electrical Code, ANSI/NFPA 70-latest edition and local codes and ordinances.

When installed in a mobile home, the installation must conform to the Manufactured Home Construction and Safety Standards, Title 24 CFR, Part 3280 (formerly the Federal Standard for Mobile Home Construction and Safety, Title 24, HUD, Part 280).

⚠ WARNING

Fire Hazard

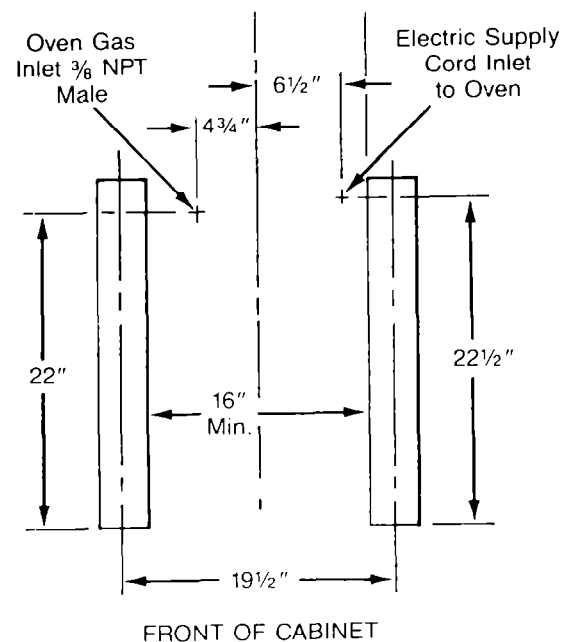
- Do Not use or store gasoline, paint, thinners and other flammable materials near oven.
 - Do Not obstruct the flow of combustion and ventilation air.
 - If you smell gas:
 1. Open windows.
 2. Don't touch electrical switches.
 3. Extinguish any open flame.
 4. Immediately call your gas supplier.
- Failure to follow these instructions could result in a fire or explosion.

CABINET CONSTRUCTION

The cabinet must have either a solid bottom or two runners, 19-1/2 inches apart, and centered within the cabinet. The bottom or runners must be able to support the weight of the unit (225 pounds for a double oven). The bottom or runners must be level and straight and flush with the cabinet cutout. The oven must be level for proper baking. Once installed the oven cannot be leveled.

Note: Clearances specified are for combustible walls and materials that have a density of 20 or more pounds per cubic foot. No evaluation of clearances has been made for installations adjacent to materials that are less than 20 pounds per cu. ft. or to plastic tiles and sheeting.

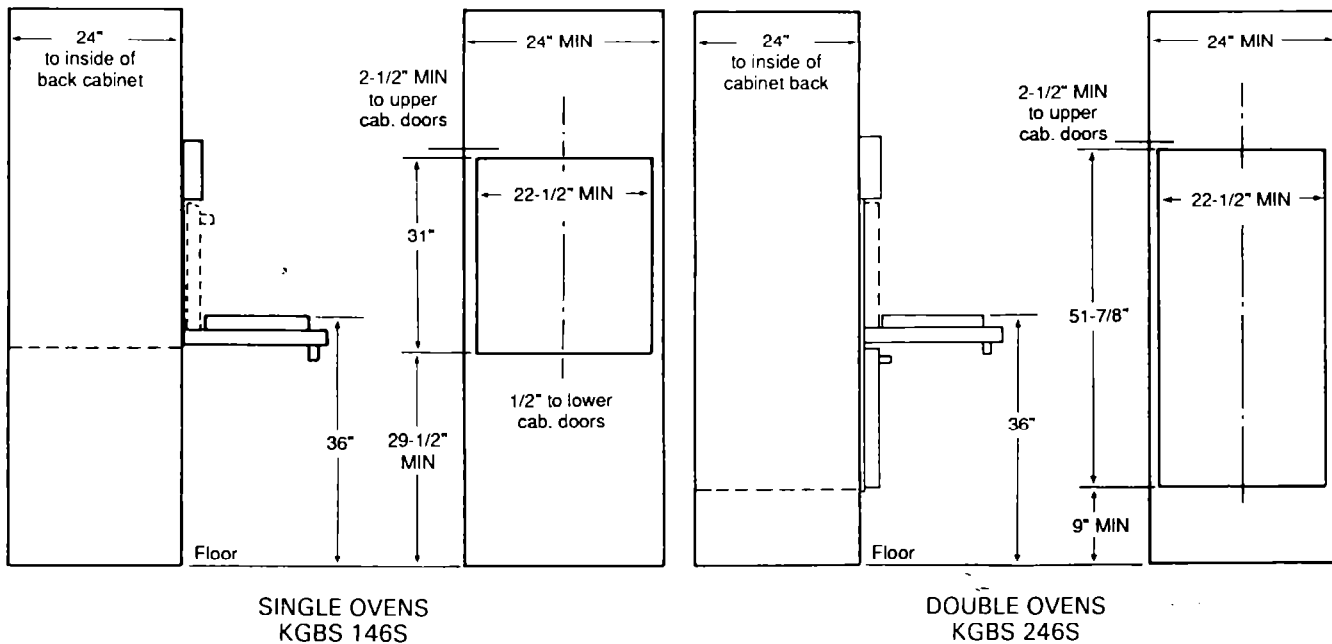
The inlet for the gas supply line and opening for the electric supply cord are located at the rear under the unit as shown at right.



⚠ CAUTION

Cabinet Damage Hazard

Do Not block the oven vent. Blocking the vent may cause cabinet damage and poor baking performance.



ELECTRICAL

⚠ WARNING

Electrical Shock Hazard

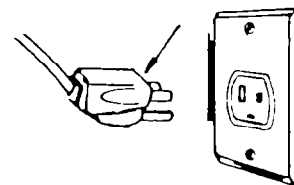
- Electrical ground is required on this appliance.
- Improper connection of the equipment- grounding conductor line can result in electrical shock.
- Check with a qualified electrician if you are in doubt as to whether the appliance is properly grounded. Do Not modify the power supply cord plug. If it will not fit the outlet, have a proper outlet installed by a qualified electrician.
- Do Not use an extension cord with this appliance. Such use may result in a fire, electrical shock or other personal injury.
- Do Not have a fuse in the neutral or ground circuit. A fuse in the neutral or ground circuit could result in an electrical shock.
- This appliance must be connected to a grounded metallic, permanent wiring system; or a grounding conductor should be connected to the grounding terminal or lead on the appliance.

Failure to do so could result in an electrical shock.

Save Installation Instructions for the local electrical inspector's use.

A three-wire, 120 volt, 60 Hz, AC only, 15 or 20 amp fused electrical supply is required. A time-delay fuse or circuit breaker is recommended. It is also recommended that a separate circuit serving only this appliance be provided. A polarized, three-wire, grounded receptacle should be installed below the oven and be easily accessible for disconnecting the power supply cord if oven should ever need to be serviced. It is the personal responsibility of the customer to have a properly grounded, 3-prong wall receptacle installed by a qualified electrician.

PLUG WITH GROUND PRONG
PROPERLY POLARIZED AND
GROUNDED RECEPTACLE



UNPACKING THE UNIT

⚠ WARNING

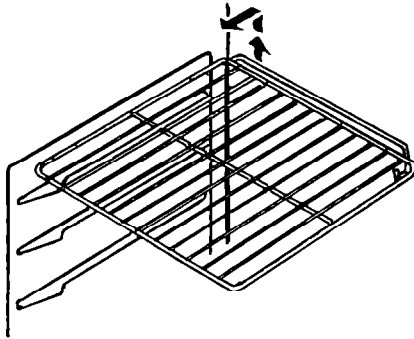
Personal Injury

More than one person is required to lift or move the oven because of its weight and size. Failure to follow these instructions may result in personal injury.

⚠ CAUTION

Floor Damage

Keep shipping base under oven. Failure to do so could cause damage to floor covering.



The oven should be left on the carton base until it is ready to put into the cabinet. It is also recommended that the pad(s) over the door(s) be left in place. These precautions will reduce the possibility of damage to the front of the unit and the bottom of the front frame.

Remove all cards, tape and wire used to hold various parts in position during shipment. Study all labels and follow their instructions during installation.

To remove oven racks

1. Slide rack all the way to the back of the oven.
2. Lift the back of the rack up above the rack guides.
3. Pull forward to remove.

GAS SUPPLY CONSTRUCTION

Observe all governing codes and ordinances.

⚠ WARNING

Fire Hazard

- Oven must be connected to a regulated gas supply.
 - L.P. gas supply must not exceed a pressure of 12" water column. This must be checked by a qualified technician before installing the oven.
 - Do Not use an open flame to test for leaks from gas connections.
- Failure to follow these instructions could result in a fire, explosion or personal injury.

A manual shutoff valve accessible from the front of the oven is provided to permit the gas to be turned off for servicing. All gas connections should be made by a qualified technician. Apply a thread of sealant, resistant to natural and L.P. gases, on all threaded gas connections.

INSTALLING THE UNIT IN CABINET

Route electric supply cord so that it can be plugged into receptacle after unit has been slid into place in cabinet.

⚠ WARNING

Potential Personal Injury

- Use both hands to remove oven doors.
- Grasp only the sides of the oven door. Do Not use any portion of the front frames or trim for lifting.

Failure to properly grasp oven door could result in damage to product or personal injury.

The doors should be removed to decrease the weight of the oven and provide a better hand hold on the oven while lifting it into the cabinet.

A. TO REMOVE DOORS (See Illus.)

Use caution! Oven door is heavy.

1. Open door completely.
2. Depress finger tab in oven door hinge area. Push tab toward oven. Lift tab away from door liner and slide toward top of oven door.
3. Repeat step 2 for other side of door.
4. Close door until approximately 5 inches from fully closed position.
5. Slide door off the hinge arm assemblies.
6. Repeat steps 1 through 5 for other door on double ovens.

BE SURE THAT MICA SPACERS AT EITHER SIDE OF OVEN ARE IN PLACE TO PROVIDE PROPER AIR FLOW BETWEEN CABINET AND OVEN.

When oven has been placed into cabinet, the bottom trim strip is placed on the lower edge of the front frame. This is done by loosening the three screws at the bottom of the front frame. Place gas valve extension rod through hole in trim strip and slide strip under screw heads until the top edge of trim meets the lower corners of the front frame (see Illus.). Tighten screws to hold trim to front frame. Make sure that valve is turned to the full "on" position (pin straight and down).

⚠ WARNING

Personal Injury Hazard

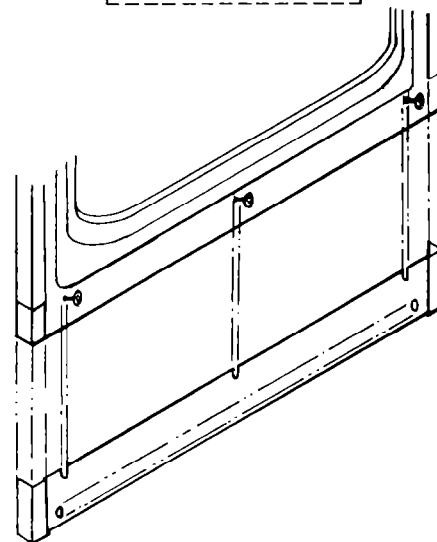
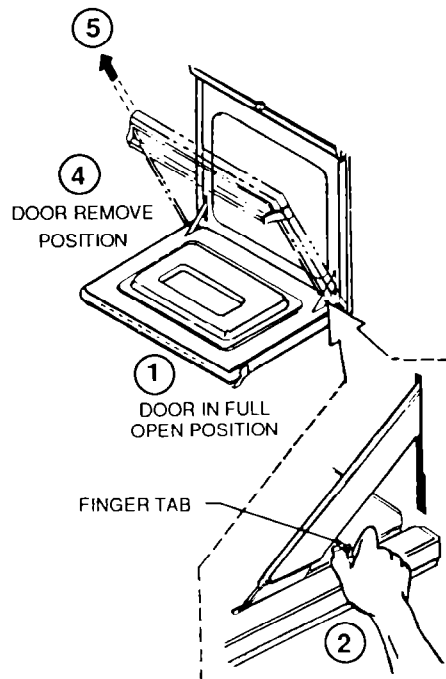
Securely fasten wall oven to cabinets using the screws provided (4 screws for a double oven or 2 screws for a single oven). Failure to do so could cause oven to move or tip during use and result in personal injury.

Secure oven to cabinet with #8 screws provided. Do not overtighten screws. Edge of front frame should be parallel to cabinet. Disregard any excess screws that are left after all screw holes in front frame have been used.

B. REPLACE OVEN RACKS IN OVEN CAVITY.

C. REINSTALL THE DOOR(S) (See Illus.)

1. Slide door hinge arms until firmly seated.
2. Lower door to full open position.
3. Push finger tabs to back. Depress the tabs and slide forward.
4. Close and reopen door slowly to make sure it has been replaced properly.
5. Repeat steps 1 through 4 for other door on double oven.

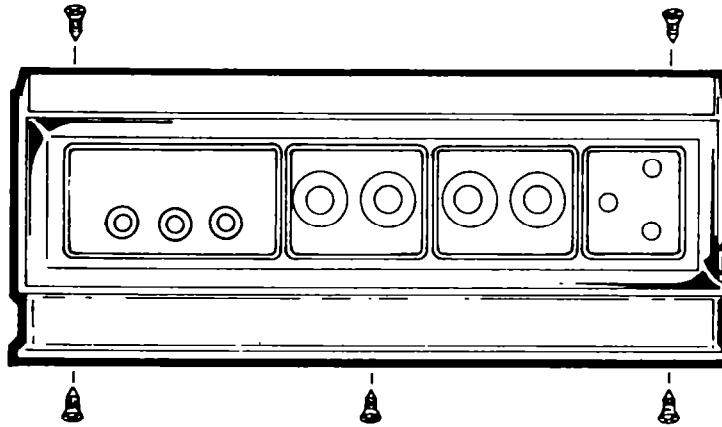


CHECKOUT AND ADJUSTMENT

After the oven is installed and the gas connected, all gas connections **MUST** be tested for gas leaks. Be sure that electricity is off before turning on the gas supply. Test with pressure gauge or apply soapy solution or leak detector solution on **ALL** gas connections. Repair any leaks that may appear before operating oven.

THE REGULATOR IS SET FOR USE WITH NATURAL GAS. FOR USE WITH LP GAS, THE REGULATOR MUST BE CONVERTED. The gas pressure regulator is located in the compartment behind the control frame. Remove control frame (see instructions below), loosen and slide the control mounting plate out to gain access to the pressure regulator.

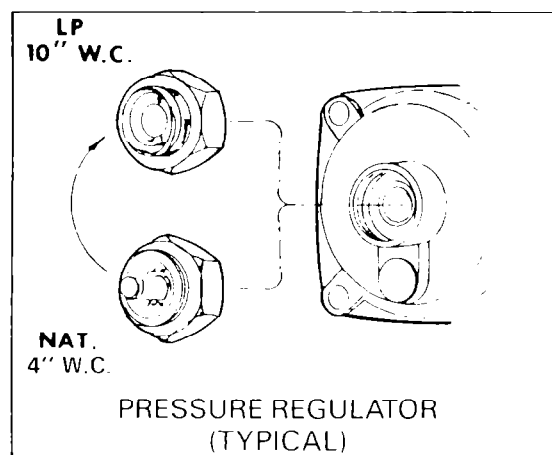
TO REMOVE CONTROL FRAME



(TYPICAL CONSOLE)

1. Remove bezel nut from oven light switch by turning counterclockwise.
2. Remove all other knobs by pulling straight forward.
3. Remove front 3 Phillips screws under control frame and 2 Phillips screws on top portion of control frame. Be sure to hold control frame in place.
4. Pull control frame forward.

To convert the regulator for LP gas, remove the regulator access cap (see below). Reverse cap, so that "LP" in cap recess is showing when cap is in place. Return cap to regulator and tighten. The regulator is set at 4" water column (W.C.) for use with natural gas and 10" W.C. for use with LP gases. In order to check pressure regulator, the inlet test pressure must be at least one (1") W.C. greater (5" for natural and 11" for LP) than setting. Maximum pressure to regulator must not exceed 14" W.C.



The appliance and its individual shutoff valve must be disconnected from the gas supply piping system during any pressure testing of that system at test pressures in excess of ½ psig.

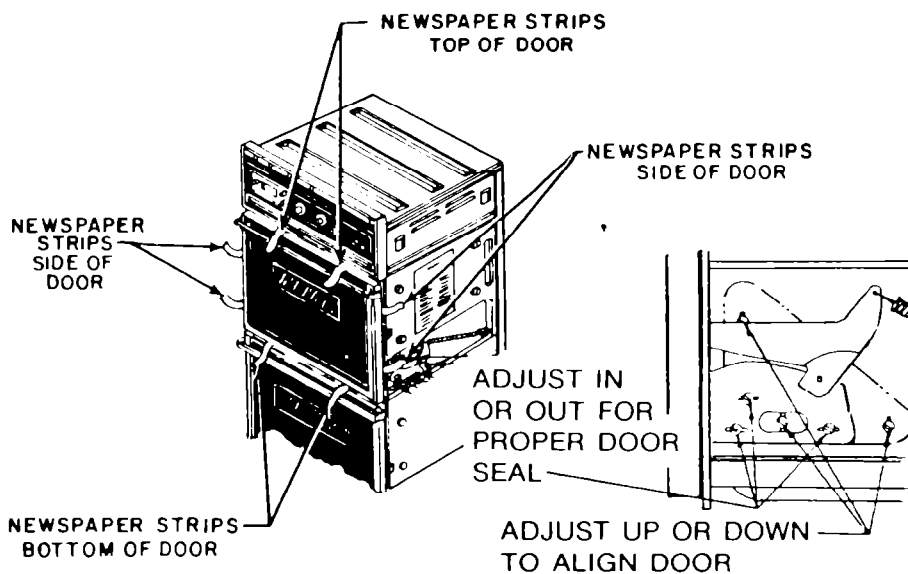
The appliance must be isolated from the gas supply piping system by closing its individual manual shutoff valve during any pressure testing of the gas supply piping system at test pressures equal to or less than ½ psig.

This unit may be used on natural or LP gas. A basic adjustment has been made at the factory for natural gas.

WHEN USED WITH LP GASES: MAKE CERTAIN THAT PRESSURE REGULATOR HAS BEEN CONVERTED FOR USE WITH LP GAS. ADJUST BURNER INPUT BY TURNING OUTER ORIFICE HOODS DOWN UNTIL SNUG AGAINST INNER ORIFICE NEEDLE.

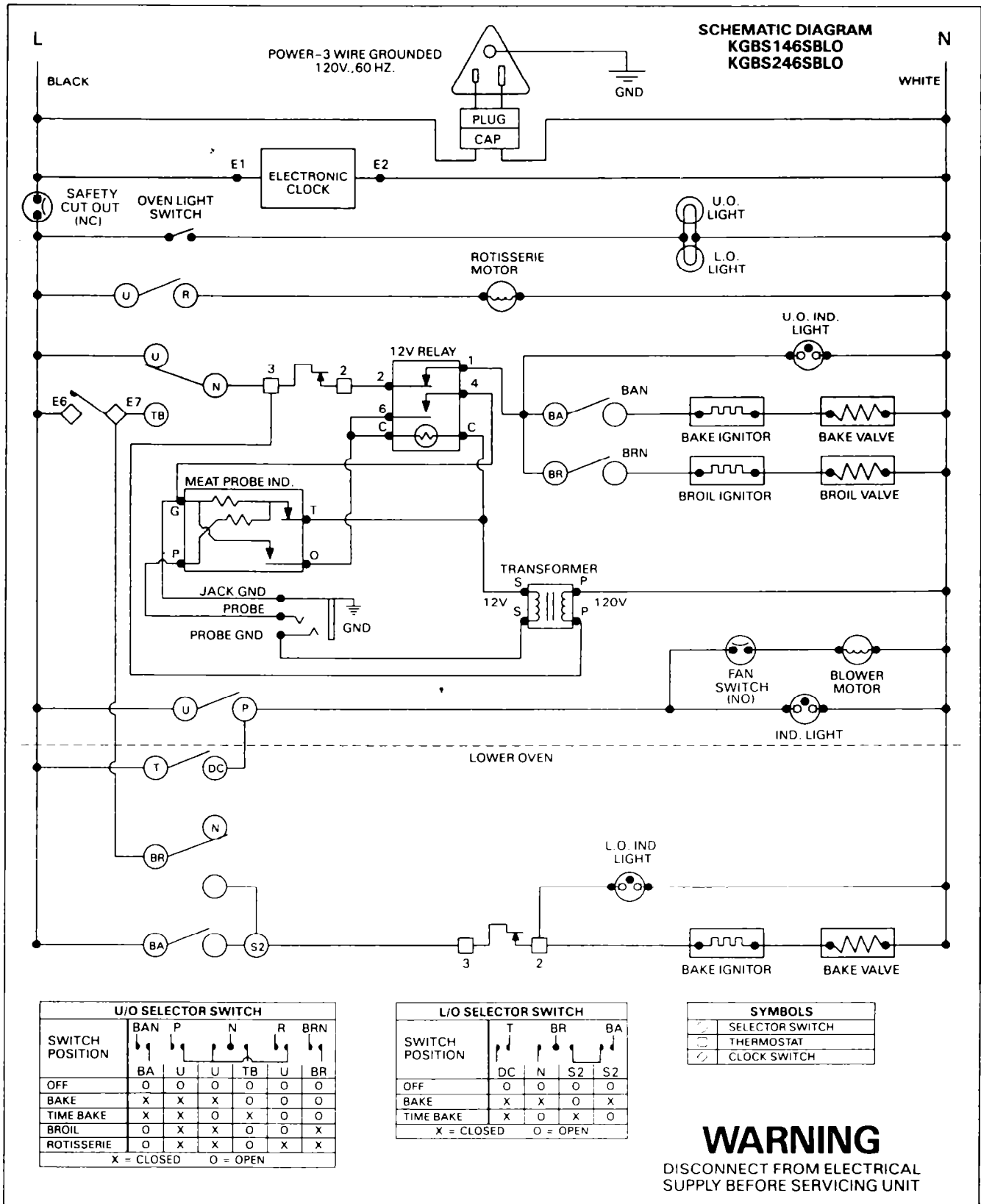
Final adjustment of the air-gas mixture is made by turning the air shutter until a concise blue cone has been obtained. If the flames lift from the burner, reduce the air opening in the shutter. If the flames are yellow, increase the air shutter opening.

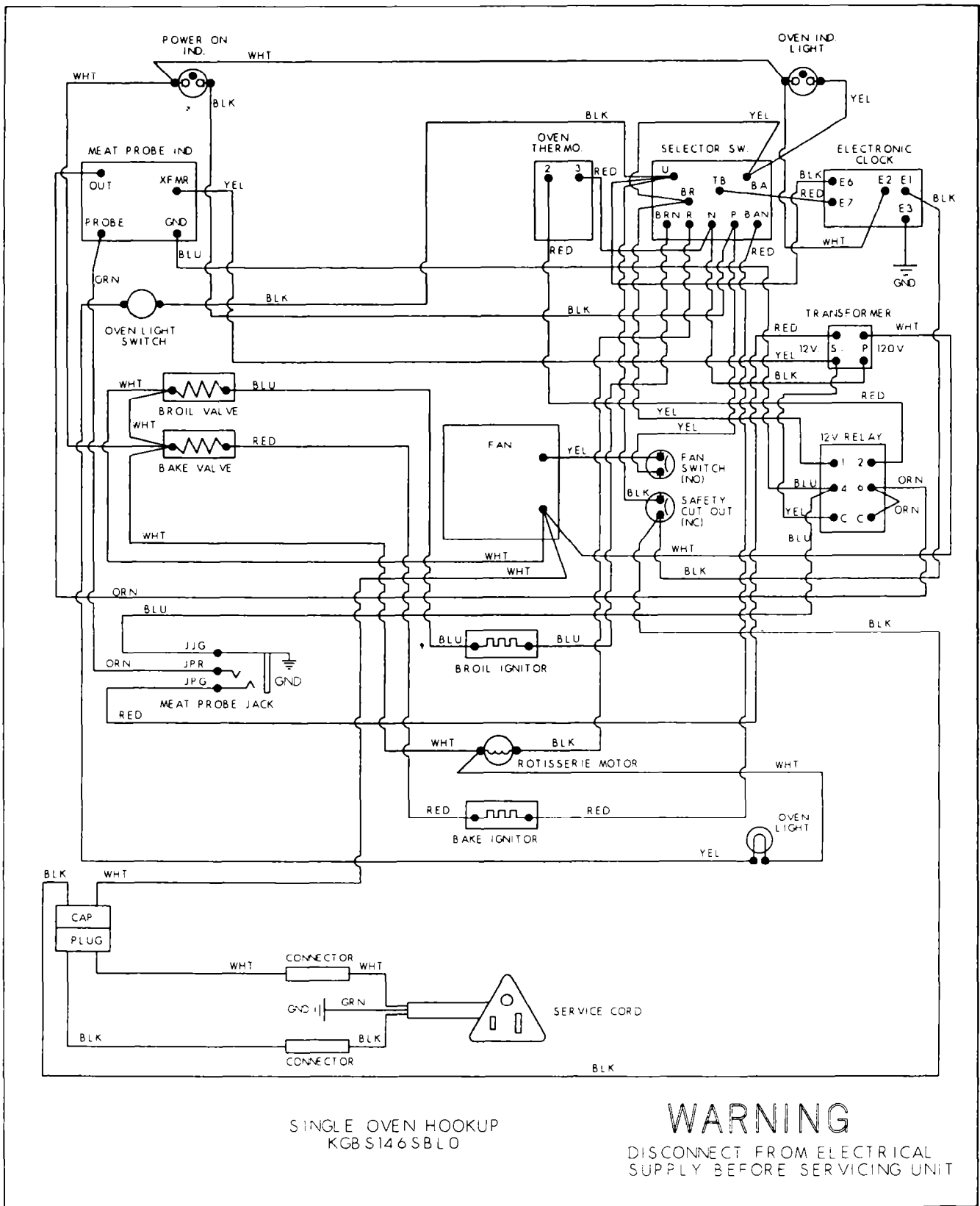
DOOR ADJUSTMENT CHECK



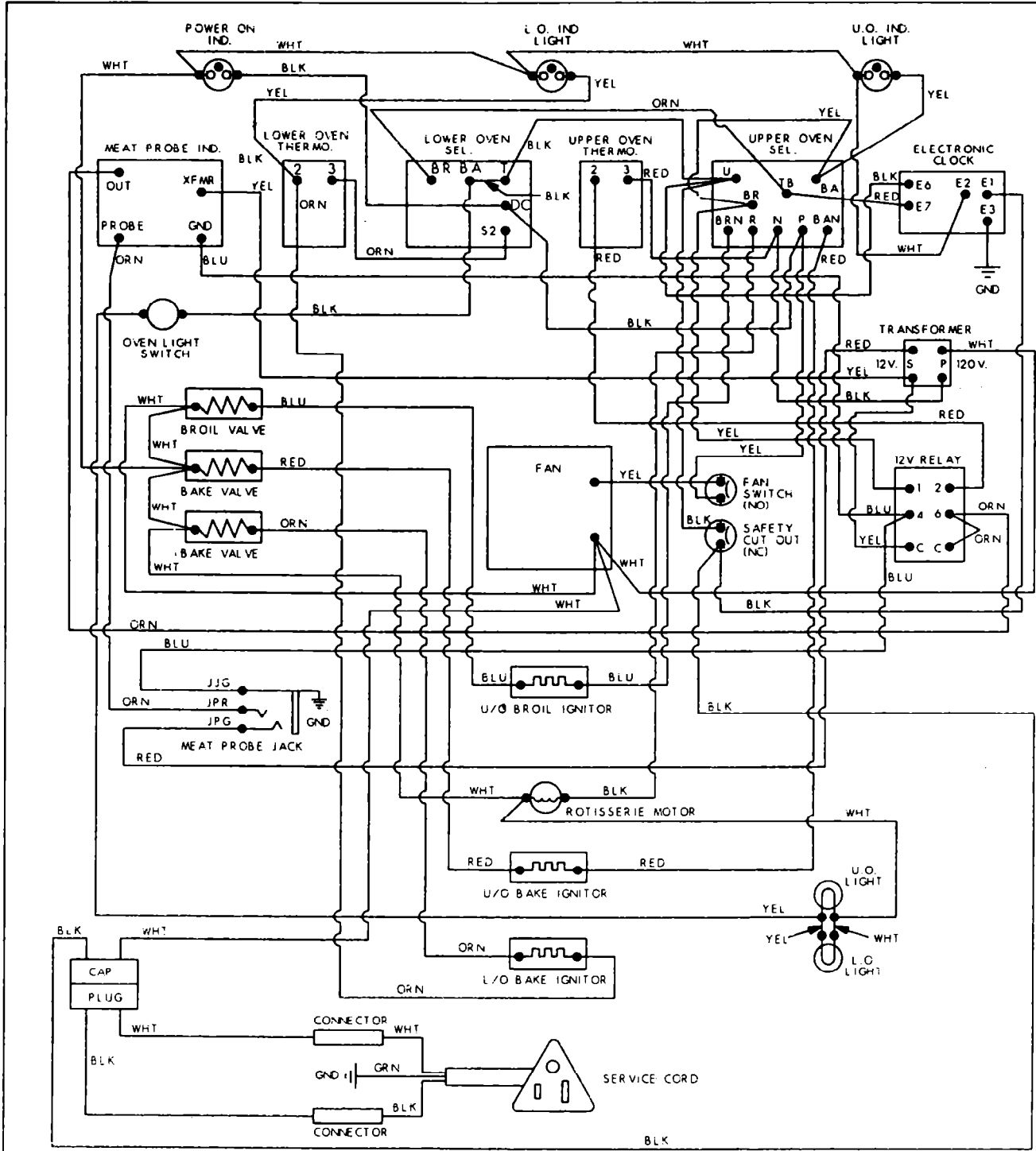
Place 2' x 18" strips of newspaper in locations indicated by illustration. Allow one end of the paper to extend into the oven cavity. Pull gently at each piece of paper. If door is properly adjusted, each piece of paper will offer firm resistance when pulled. When door is out of adjustment, slide unit out far enough to expose hinges on each side (see preceding page). Loosen screws and move bottom of door to a proper fit. After completing adjustment tighten all screws in hinges.

Note: If the oven is installed on a solid bottom, the gas supply must be disconnected before the oven can be slid forward to adjust doors.





SINGLE OVEN HOOKUP
KGB S146 SBL0



DOUBLE OVEN HOOKUP
KGB S245BLC

WARNING
DISCONNECT FROM ELECTRICAL
SUPPLY BEFORE SERVICING UNIT

Free Manuals Download Website

<http://myh66.com>

<http://usermanuals.us>

<http://www.somanuals.com>

<http://www.4manuals.cc>

<http://www.manual-lib.com>

<http://www.404manual.com>

<http://www.luxmanual.com>

<http://aubethermostatmanual.com>

Golf course search by state

<http://golfingnear.com>

Email search by domain

<http://emailbydomain.com>

Auto manuals search

<http://auto.somanuals.com>

TV manuals search

<http://tv.somanuals.com>