



ELECTRIC BUILT-IN MICROWAVE/SINGLE OVEN

MODELS: KEMI 371

KEMS 375/376

KECO-375MS/376MCS

CMO-2743

INSTALLATION INSTRUCTIONS

INSTALLER: FINAL CHECK LIST

IMPORTANT:

**LEAVE THESE INSTRUCTIONS FOR USE BY
THE LOCAL ELECTRICAL INSPECTOR**

PLACEMENT

- 1. Properly positioned - level, aligned and square with cabinet opening.
- 2. Anchored securely to cabinet.
- 3. Installation debris removed.

ELECTRICAL

- 1. Oven properly grounded.
- 2. Separate 120/240 volt or 120/208 volt, 60 Hz, single phase branch circuit of proper ampacity, protected by a time-delay fuse or circuit breaker of proper size.
- 3. All connections made in accordance with National Electrical Code, ANSI/NFPA 70-latest edition and local codes and ordinances.

OPERATIONAL

- 1. Oven racks installed and slide freely in all positions..
- 2. Knobs securely in place and rotate freely without rubbing edges of control panel glass holes.
- 3. All lights function properly.
- 4. Refer to Use and Care Guide to set the electronic clock.
- 5. Door properly adjusted, opens and closes smoothly.
- 6. Selector switch functions in all modes.
- 7. Unless instructed to leave for owner, remove all tags, labels and internal packing materials.
- 8. Oven has been wiped clean to remove fingerprints and other smudges.
- 9. Microwave oven operation checked according to procedure on back page of instructions.

THANK YOU INSTALLER:

- 1. Complete Installation Check List.
- 2. Leave all literature for customer.
- 3. Notify dealer that installation is completed.

FOR DETAILED INSTRUCTIONS, FOLLOW METHODS DESCRIBED IN THIS FOLDER.

IMPORTANT: Read Before Installing to Save Time, Work, assure proper performance, and owner's warranty protection.

⚠ WARNING

Excessive Microwave Energy Exposure Hazard

- Do Not attempt to operate this microwave oven with the door open.
 - Do Not tamper with or defeat the safety interlocks.
 - Do Not place objects between the microwave oven front face and the door.
 - Do Not allow soil or cleaner residue to accumulate on sealing surface of microwave oven door.
 - Do Not operate microwave oven if it is damaged.
 - The microwave oven door must close properly to provide safe operation. Do Not use microwave oven if door is bent; hinges and latches are broken or loose; or door seals, sealing surfaces or glass is broken.
 - The microwave oven should only be adjusted and repaired by a qualified repair person.
 - Have a qualified repair person check for microwave leakage if a repair is made.
- Failure to use microwave oven except as instructed may result in exposure to excessive microwave energy.

Note: Do Not use this microwave oven for commercial purposes. This microwave oven is designed for household use only.

INSTALLATION INSTRUCTIONS

OVEN LOCATION

The following recommendations are made to guide you in the location for the oven.

1. Avoid placing oven where there is direct heat or splashing water.
2. Place as far away as possible from TV, radio, etc., to prevent interference.

CABINET CONSTRUCTION

The oven must be enclosed by an appropriate cabinet or properly framed opening in the wall. See Figure 1 for dimensions.

The cabinet must have a solid bottom or two runners, 19-1/2 inches apart and centered within the cabinet. The bottom or runners must be able to support the weight of the unit (225 pounds for a double oven). The bottom or runners must be level and straight and flush with the cabinet cutout. The oven must be level for proper baking and once installed the oven cannot be leveled.

Note: Clearances specified are for combustible walls and materials that have a density of 20 or more pounds per cubic foot. No evaluation of clearances has been made for installations adjacent to materials that are less than 20 pounds per cu. ft. or to plastic tiles and sheeting.

⚠ CAUTION

Cabinet Damage

Do Not block the oven vent. Blocking the vent may cause cabinet damage and poor baking performance.

ELECTRICAL REQUIREMENTS

⚠ WARNING

Electrical Shock Hazard

- Electrical ground is required on this appliance.
- Improper connection of the equipment-grounding conductor line can result in electrical shock.
- Check with a qualified electrician if you are in doubt as to whether the appliance is properly grounded.
- Do Not have a fuse in the neutral or ground circuit. A fuse in the neutral or ground circuit could result in an electrical shock.
- This appliance must be connected to a grounded, metallic permanent wiring system; or a grounding conductor should be connected to the grounding terminal or lead on the appliance. Failure to do so could result in an electrical shock.

It is the customer's responsibility to contact a qualified electrical Installer to assure that electrical installation is adequate and in conformance with National Electrical Code, ANSI/NFPA 70-latest edition and local codes and ordinances.

A 120/240-volt or 120/208-volt, 60 Hz, AC only, fused electrical supply is required. A time-delay fuse or circuit breaker is recommended. It is recommended that a separate circuit serving only this appliance be provided.

The junction box for standard dwellings must be supplied with single phase, 3 wire, 120/240 volt, or 120/208 volts, 60 hertz, AC current. For a mobile home, the box must be supplied with 4 wires instead of 3 in accordance with the National Electrical Code (Article 550.9).

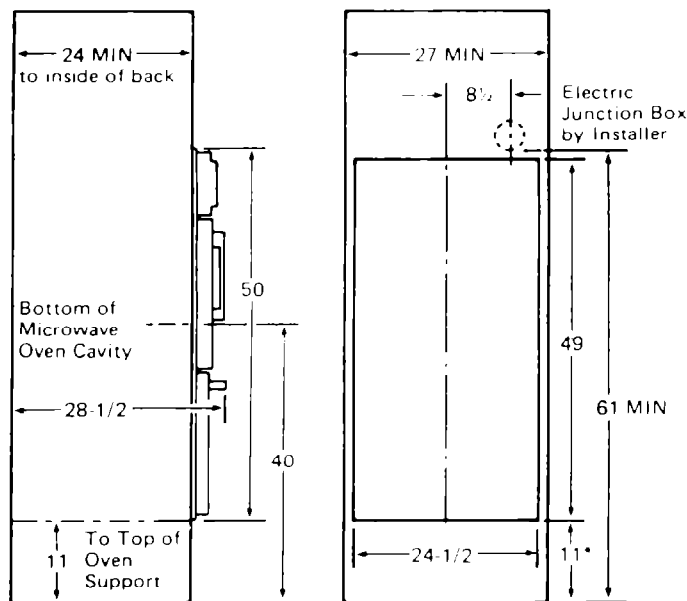


Fig. 1

The following amperage circuits must be provided:

Models	Amps
KEMS 375	40 amps
KEMI 375	
KECO 375MS	
CMO 2743	
KECO 376MCS	30 amps
KFMS 376	

MOBILE HOME INSTALLATION

When installed in a mobile home, the installation must conform to the Manufactured Home Construction and Safety Standards, Title 24 CFR, Part 3280 (formerly the Federal Standard for Mobile Home Construction and Safety, Title 24, HUD, Part 280).

Four-wire power supply must be used and the appliance wiring must be revised. See Electrical Requirements.

Copies of the standards listed may be obtained from:

***National Fire Protection Association**
Batterymarch Park
Quincy, Massachusetts 02269

UNPACKING THE UNIT

⚠ WARNING

Personal Injury Hazard

More than one person is required to lift or move the oven because of its weight and size. Failure to follow these instructions may result in personal injury.

⚠ CAUTION

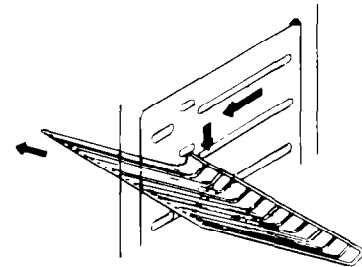
Floor Damage

Keep shipping base under oven. Failure to do so could cause damage to floor covering.

The oven should be left on the carton base until it is ready to put into the cabinet. It is also recommended that the pads over the door(s) be left in place. These precautions will reduce the possibility of damage to the front of the unit and the bottom of the front frame.

Prior to installation, check the electrical service to assure that it agrees with the specifications on the oven serial plate.

Remove all cords, tape, and wire used to hold various parts in position during shipment. Study all labels and tags and remove those on an exposed surface after installation, unless instructed to leave them for the owner. Remove oven racks from the inside of the oven and unwrap. Put to one side while the oven is being installed in cabinet. Take broiler pan, grid, and any other accessories from the packing on top of the oven and keep them with literature packet in a location where they will be retained for use by the owner.



To Remove Oven Racks

Slide rack forward until bar on back of rack touches first stop.

Lift front of rack until rear portion of rack slides out between front two stops.

ELECTRICAL CONNECTION

⚠ WARNING

Electrical Shock Hazard

Disconnect power supply before making any electrical connections. Failure to do so may result in electrical shock.

Connect the conduit from the oven to the junction box and properly connect to the power supply leads. The unit is now ready to install in cabinet.

GROUNDING — THE OVEN MUST BE GROUNDED

Do not work on the oven wiring until the oven has been positively grounded.

The oven frame is grounded through the bare grounding wire. Connect the white neutral to the service neutral wire at the junction box.

INSTALLING THE UNIT IN CABINET

⚠ WARNING

Potential Personal Injury Hazard

- Use both hands to remove oven doors.
 - Grasp only the sides of the oven door. Do Not use any portion of the front frames or trim for lifting.
- Failure to properly grasp oven door could result in damage to product or personal injury.

The microwave module and the lower oven door should be removed to decrease the weight of the oven and provide a better hand hold on the oven while lifting it into the cabinet.

TO REMOVE DOOR (See Fig. 2) Use caution! Oven door is heavy.

- Open door completely.
- Depress finger tab in oven door hinge area. Push tab toward oven, lift tab away from door liner, and slide toward top of oven door. Repeat for other side of door.
- Close door until approximately 5 inches from fully closed position.
- Slide door off the hinge arm assemblies.

TO REMOVE MICROWAVE MODULE

- Remove self-clean latch lever knob by removing screw under lever.
- Loosen module trim by removing 4 screws (2 on each side).
- Remove module trim by pulling forward until free of latch lever.
- Remove module stabilizing brackets. Save for reinstallation after module has been returned to oven cabinet.
- Slide module forward until the module service cord on rear can be unplugged. (Model KEKO-376MCS and KEMS 376 have an additional 3 wire connector to unplug).
- Complete removal of microwave module from oven cabinet.

BE SURE THAT PHENOLIC SPACERS AT EACH SIDE OF OVEN ARE IN PLACE TO PROVIDE PROPER AIR FLOW BETWEEN CABINET AND OVEN.

When oven has been placed into the cabinet, the bottom trim strip is placed on the lower front edge of the front frame. This is done by loosening the three (3) screws at the bottom of the front frame. Slide the trim strip under the screw heads until the strip meets the lower corners of front frame (see Fig. 3). Tighten screws to hold trim to front frame.

⚠ WARNING

Personal Injury Hazard

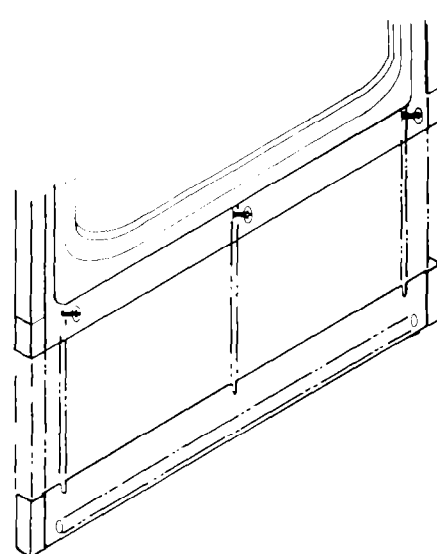
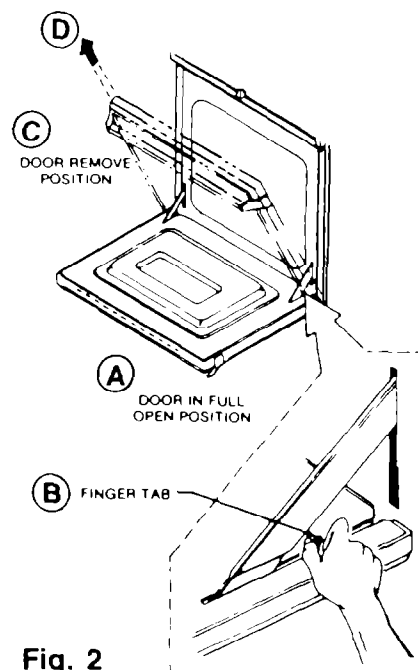
Securely fasten wall oven to cabinets using the screws provided (4 screws for a double oven or 2 screws for a single oven). Failure to do so could cause oven to move or tip during use and result in personal injury.

Secure oven to cabinet with #8 screws provided. Do not overtighten screws. Edge of front frame should be parallel to cabinet. Disregard any excess screws that are left after all screw holes in front frame have been used.

INSTALL UNWRAPPED OVEN RACKS IN OVEN

REINSTALL MICROWAVE MODULE

Reassemble module by reversing procedure being sure to connect all electrical plugs and replacing the stabilizing brackets. Make sure that the module trim is lined up with the lower back corners of control frame when trim is put back on.



REINSTALL DOOR (See Fig. 2)

1. Slide door on hinge arms until firmly seated.
2. Lower door to full open position.
3. Push finger tabs back. Depress the tabs and slide forward.
4. Close and reopen door slowly to make sure it has been replaced properly.

MICROWAVE OVEN OPERATIONAL CHECK

CHECK MICROWAVE OVEN AFTER INSTALLATION, FOLLOWING SEQUENCE BELOW.

1. Install glass tray or turntable tray supplied with the microwave unit.
2. Put suitable container filled with approximately 1 quart or liter of water into microwave.
3. Refer to the microwave and the thermal oven use and care guides to set the electronic clocks.
4. Touch number pads for cooking time. Set 10 minutes by touching "1", the "0" three times. "10 00" should appear in Display Window.
5. Touch "START" pad. Make sure that cavity light comes on. The oven will start cooking and the Display Window will show time remaining, counting down in seconds.
6. After about 5 minutes, check door switches by opening and closing the door several times. Unit should stop when door is opened, light goes out only when door is reclosed. Unit should start again when door is closed and "START" is touched and the light comes on again.
7. Continue to operate unit. A tone sounds for 2 seconds when the time is up and the unit will automatically shut off.
8. Check to see that water is hot.

NOTE: Maintain at least one half quart or one half liter of water in container during test.

Specifications subject to change without notice.

Free Manuals Download Website

<http://myh66.com>

<http://usermanuals.us>

<http://www.somanuals.com>

<http://www.4manuals.cc>

<http://www.manual-lib.com>

<http://www.404manual.com>

<http://www.luxmanual.com>

<http://aubethermostatmanual.com>

Golf course search by state

<http://golfingnear.com>

Email search by domain

<http://emailbydomain.com>

Auto manuals search

<http://auto.somanuals.com>

TV manuals search

<http://tv.somanuals.com>