

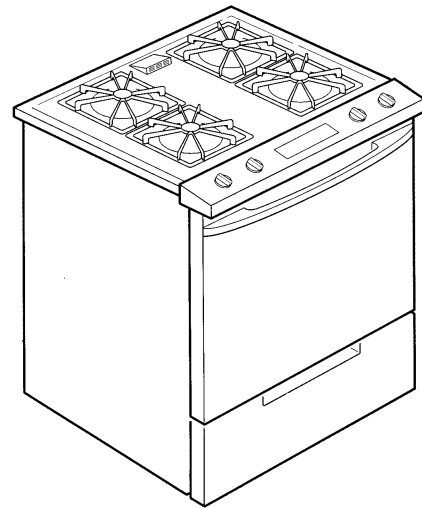
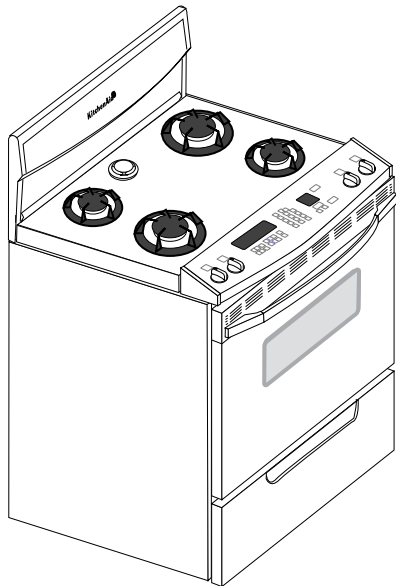
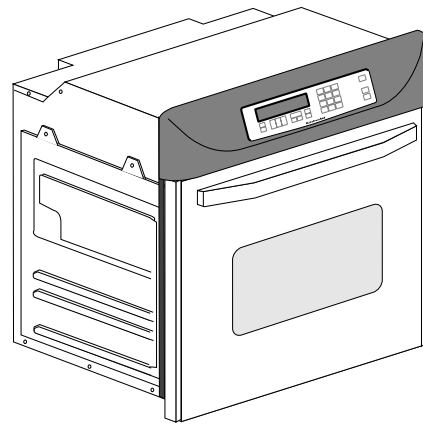
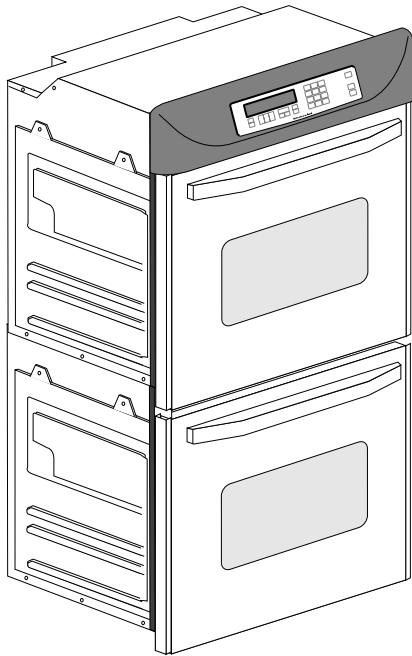
# KITCHENAID CONSUMER SERVICES

## *Technical Training Department*

### **Failure Codes & Wiring Diagrams**

*for*

### **KitchenAid Freestanding & Slide-In Ranges And Built-In Ovens**



All rights reserved. No portion of this document may be reproduced in any form without written permission from Whirlpool Corporation.

Part No. 4317266

# ELECTRONIC OVEN CONTROLS

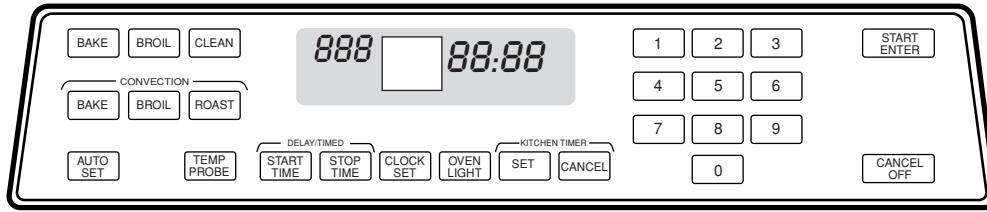


Figure 1

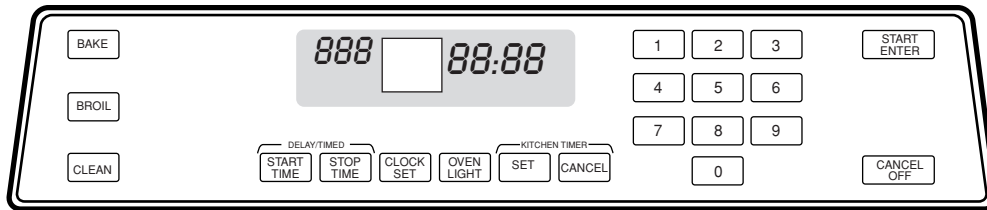


Figure 2

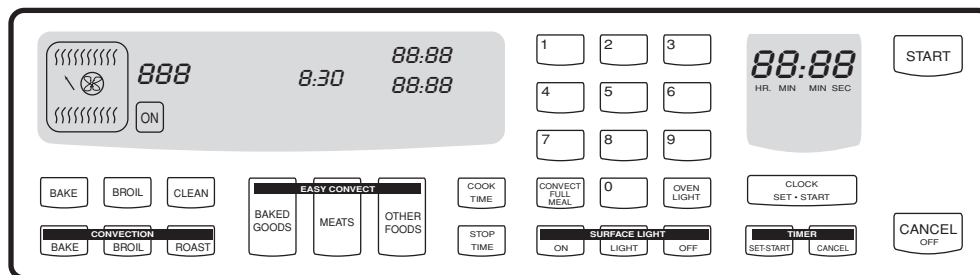


Figure 3

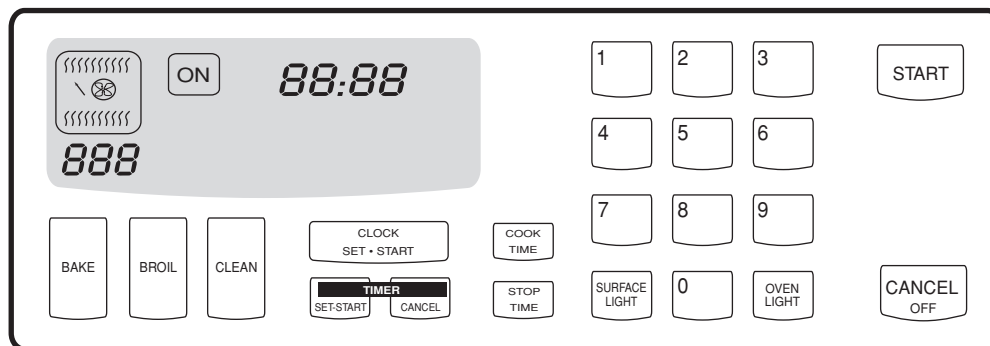


Figure 4

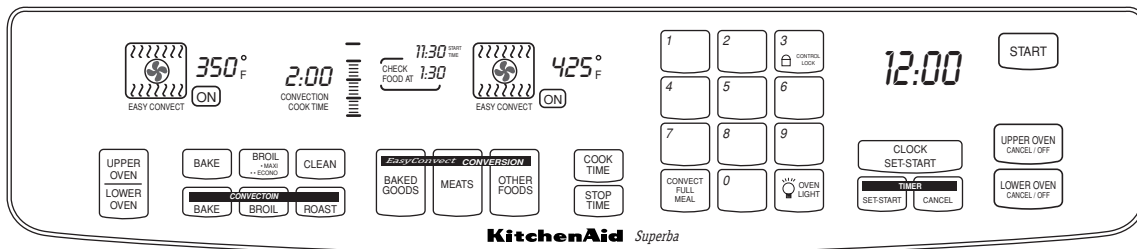


Figure 5

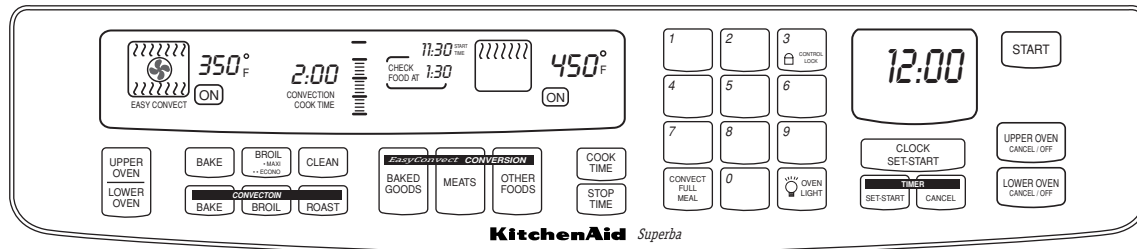


Figure 6

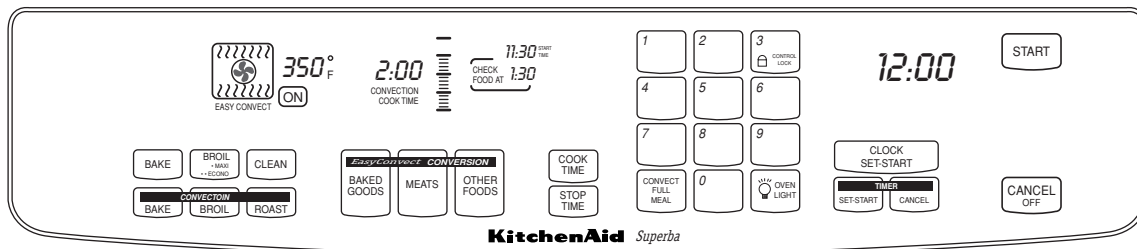


Figure 7

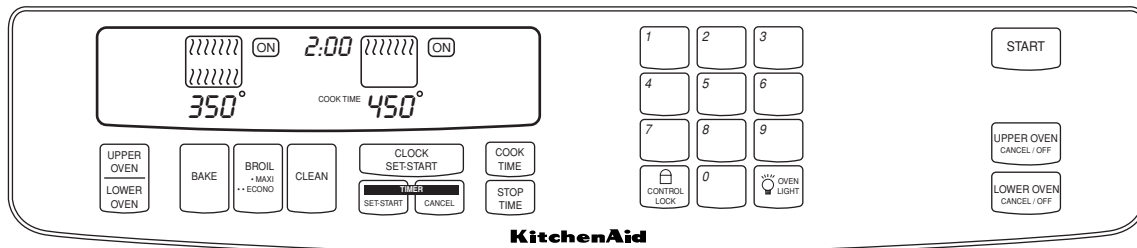


Figure 8

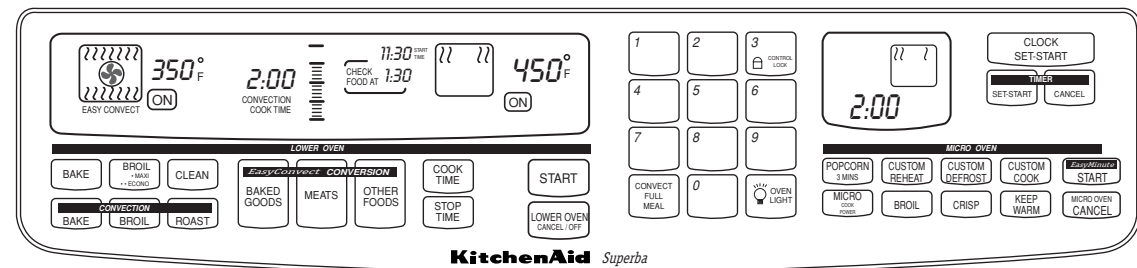
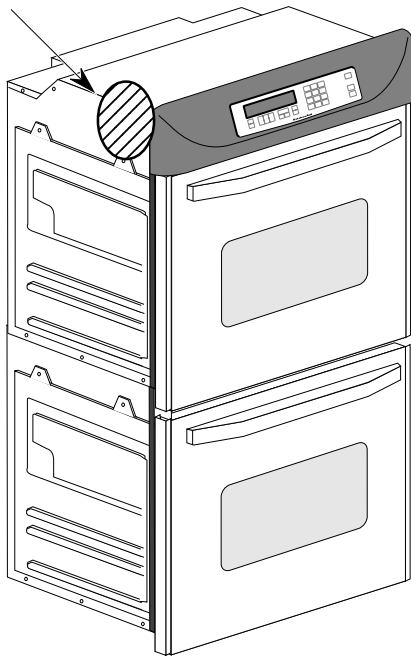


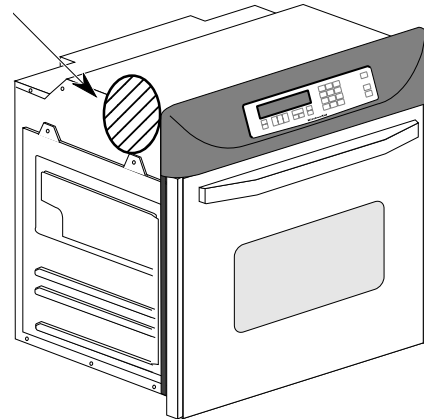
Figure 9

# TECH SHEET LOCATIONS

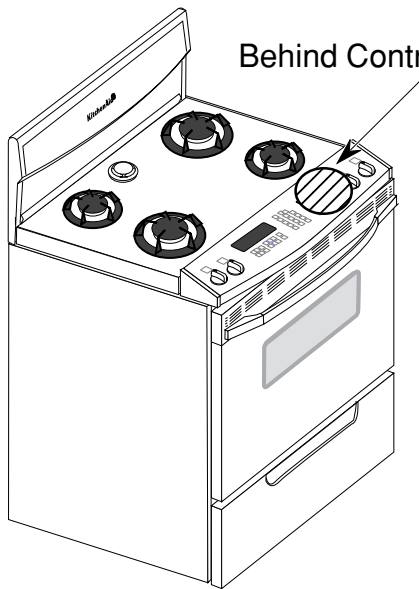
Behind Control Panel



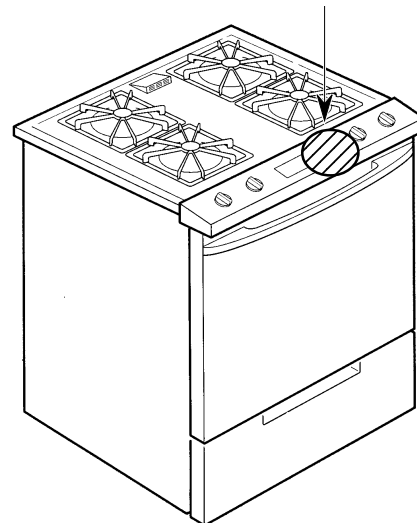
Behind Control Panel



Behind Control Panel



Behind Control Panel



| Model #     | Figure #<br>(Page 2) | Touch Panel<br>Part # | Description                 | Tech<br>Sheet<br>Part # | Page<br># |
|-------------|----------------------|-----------------------|-----------------------------|-------------------------|-----------|
| KERC500EAL1 | 2                    | 9752278               | A.C.T. NON-CONVECTION       | 9752381                 | 14        |
| KERC500EAL2 | 2                    | 9752278               | A.C.T. NON-CONVECTION       | 9752381                 | 14        |
| KERC500EWH0 | 4                    | 9752279               | TIMER NON-CONVECTION        | 9752381                 | 14        |
| KERC500EWH1 | 2                    | 9752278CW             | A.C.T. NON-CONVECTION       | 9752381                 | 14        |
| KERC500EWH2 | 2                    | 9752278CW             | A.C.T. NON-CONVECTION       | 9752381                 | 14        |
| KERC500EWH3 | 4                    | 3190379               | TIMER NON-CONVECTION        | 9752381                 | 14        |
| KERC500YAL2 | 2                    | 9750918               | KITCHENAID TIMER THERMOSTAT | 9750877                 | 14        |
| KERC500YAL3 | 2                    | 9750918               | KITCHENAID TIMER THERMOSTAT | 9750877                 | 14        |
| KERC500YAL4 | 2                    | 9750918               | KITCHENAID TIMER THERMOSTAT | 9750877                 | 14        |
| KERC500YAL5 | 2                    | 9750918               | KITCHENAID TIMER THERMOSTAT | 9750877                 | 14        |
| KERC500YBL2 | 2                    | 9750716               | KITCHENAID TIMER ASSEMBLY   | 9750877                 | 14        |
| KERC500YBL3 | 2                    | 9750716               | KITCHENAID TIMER ASSEMBLY   | 9750877                 | 14        |
| KERC500YBL4 | 2                    | 9750716               | KITCHENAID TIMER ASSEMBLY   | 9750877                 | 14        |
| KERC500YBL5 | 2                    | 9750716               | KITCHENAID TIMER ASSEMBLY   | 9750877                 | 14        |
| KERC507EAL1 | 2                    | 9752277CT             | A.C.T. CONVECTION           | 9752381                 | 14        |
| KERC507EAL2 | 2                    | 9752277CT             | A.C.T. CONVECTION           | 9752381                 | 14        |
| KERC507EBL1 | 2                    | 9752277CB             | A.C.T. CONVECTION           | 9752381                 | 14        |
| KERC507EBL2 | 2                    | 9752277CB             | A.C.T. CONVECTION           | 9752381                 | 14        |
| KERC507EWH0 | 3                    | 3190378               | TIMER CONVECTION            | 9752381                 | 14        |
| KERC507EWH1 | 2                    | 9752277CW             | A.C.T. CONVECTION           | 9752381                 | 14        |
| KERC507EWH2 | 2                    | 9752277CW             | A.C.T. CONVECTION           | 9752381                 | 14        |
| KERC507EWH3 | 3                    | 3190378               | TIMER CONVECTION            | 9752381                 | 14        |
| KERC507YAL3 | 1                    | 9750699               | KITCHENAID CONVECTION       | 9750877                 | 14        |
| KERC507YAL4 | 1                    | 9750699               | KITCHENAID CONVECTION       | 9750877                 | 14        |
| KERC507YAL5 | 1                    | 9750699               | KITCHENAID CONVECTION       | 9750877                 | 14        |
| KERC507YWH2 | 1                    | 9750700               | KITCHENAID TIMER CONVECTION | 9750877                 | 14        |
| KERC507YWH3 | 1                    | 9750700               | KITCHENAID TIMER CONVECTION | 9750877                 | 14        |
| KERC507YWH4 | 1                    | 9750700               | KITCHENAID TIMER CONVECTION | 9750877                 | 14        |
| KERC507YWH5 | 1                    | 9750700               | KITCHENAID TIMER CONVECTION | 9750877                 | 14        |
| KERC600EAL0 | 4                    | 3190379               | TIMER NON-CONVECTION        | 9751598                 | 15        |
| KERC600EAL1 | 4                    | 9752692               | D.A.C. NON-CONVECTION       | 9751598                 | 15        |
| KERC600EAL2 | 4                    | 9752692               | D.A.C. NON-CONVECTION       | 9751598                 | 15        |
| KERC600EWH0 | 4                    | 3190379               | TIMER NON-CONVECTION        | 9751598                 | 15        |
| KERC600EWH1 | 4                    | 9752692               | D.A.C. NON-CONVECTION       | 9751598                 | 15        |
| KERC600EWH2 | 4                    | 9752692               | D.A.C. NON-CONVECTION       | 9751598                 | 15        |
| KERC607EAL0 | 3                    | 3190378               | TIMER CONVECTION            | 9751598                 | 15        |
| KERC607EAL1 | 3                    | 9752691               | TIMER CONVECTION            | 9751598                 | 15        |
| KERC607EAL2 | 3                    | 9752691               | TIMER CONVECTION            | 9751598                 | 15        |
| KERC607EWH0 | 3                    | 3190378               | TIMER CONVECTION            | 9751598                 | 15        |
| KERC607EWH1 | 3                    | 9752691               | TIMER CONVECTION            | 9751598                 | 15        |
| KERC607EWH2 | 3                    | 9752691               | TIMER CONVECTION            | 9751598                 | 15        |
| KERH507EWH0 | 3                    | 3190378               | TIMER CONVECTION            | 9750877                 | 14        |
| KERH507EWH3 | 3                    | 3190378               | TIMER CONVECTION            | 9750877                 | 14        |

| Model        | Figure #<br>(Page 2) | Touch Panel<br>Part # | Description                  | Tech<br>Sheet<br>Part # | Page<br># |
|--------------|----------------------|-----------------------|------------------------------|-------------------------|-----------|
| KERH507YAL2  | 1                    | 9750699               | KITCHENAID CONVECTION        | 9750877                 | 14        |
| KERH507YAL3  | 1                    | 9750699               | KITCHENAID CONVECTION        | 9750877                 | 14        |
| KERH507YAL4  | 1                    | 9750699               | KITCHENAID CONVECTION        | 9750877                 | 14        |
| KERH507YAL5  | 1                    | 9750699               | KITCHENAID CONVECTION        | 9750877                 | 14        |
| KERH507YBL2  | 1                    | 9750917               | KITCHENAID TIMER ASSY. CONV. | 9750877                 | 14        |
| KERH507YBL3  | 1                    | 9750917               | KITCHENAID TIMER ASSY. CONV. | 9750877                 | 14        |
| KERH507YBL4  | 1                    | 9750917               | KITCHENAID TIMER ASSY. CONV. | 9750877                 | 14        |
| KERH507YBL5  | 1                    | 9750917               | KITCHENAID TIMER ASSY. CONV. | 9750877                 | 14        |
| KERH507YWH2  | 1                    | 9750700               | KITCHENAID TIMER CONVECTION  | 9750877                 | 14        |
| KERH507YWH3  | 1                    | 9750700               | KITCHENAID TIMER CONVECTION  | 9750877                 | 14        |
| KERH507YWH4  | 1                    | 9750700               | KITCHENAID TIMER CONVECTION  | 9750877                 | 14        |
| KERH507YWH5  | 1                    | 9750700               | KITCHENAID TIMER CONVECTION  | 9750877                 | 14        |
| KERI500EAL1  | 2                    | 9752278               | A.C.T. NON-CONVECTION        | 9752381                 | 14        |
| KERI500EWH 1 | 2                    | 9752278CW             | A.C.T. NON-CONVECTION        | 9752381                 | 14        |
| KERI500YAL3  | 2                    | 9750918               | KITCHENAID TIMER THERMOSTAT  | 9750877                 | 14        |
| KERI500YAL4  | 2                    | 9750918               | KITCHENAID TIMER THERMOSTAT  | 9750877                 | 14        |
| KERS507EAL1  | 2                    | 9752277CT             | A.C.T. CONVECTION            | 9752381                 | 14        |
| KERS507EWH0  | 2                    | 9752277CW             | A.C.T. CONVECTION            | 9752381                 | 14        |
| KERS507EWH1  | 2                    | 9752277CW             | A.C.T. CONVECTION            | 9752381                 | 14        |
| KERS507YAL3  | 1                    | 9750699               | KITCHENAID CONVECTION        | 9750877                 | 14        |
| KERS507YAL4  | 1                    | 9750699               | KITCHENAID CONVECTION        | 9750877                 | 14        |
| KERS507YWH2  | 1                    | 9750700               | KITCHENAID TIMER CONVECTION  | 9750877                 | 14        |
| KERS507YWH3  | 1                    | 9750700               | KITCHENAID TIMER CONVECTION  | 9750877                 | 14        |
| KERS507YWH4  | 1                    | 9750700               | KITCHENAID TIMER CONVECTION  | 9750877                 | 14        |
| KESC300BAL1  | 4                    | 3190379               | TIMER NON-CONVECTION         | 9751598                 | 15        |
| KESC300BAL2  | 4                    | 3190379               | TIMER NON-CONVECTION         | 9751598                 | 15        |
| KESC300BAL3  | 4                    | 3190379               | TIMER NON-CONVECTION         | 9751598                 | 15        |
| KESC300BAL4  | 4                    | 3190379               | TIMER NON-CONVECTION         | 9751598                 | 15        |
| KESC300BAL5  | 4                    | 9752692               | D.A.C. NON-CONVECTION        | 9751598                 | 15        |
| KESC300BAL6  | 4                    | 9752692               | D.A.C. NON-CONVECTION        | 9751598                 | 15        |
| KESC300BBL1  | 4                    | 3190379               | TIMER NON-CONVECTION         | 9751598                 | 15        |
| KESC300BBL2  | 4                    | 3190379               | TIMER NON-CONVECTION         | 9751598                 | 15        |
| KESC300BBL3  | 4                    | 3190379               | TIMER NON-CONVECTION         | 9751598                 | 15        |
| KESC300BBL4  | 4                    | 3190379               | TIMER NON-CONVECTION         | 9751598                 | 15        |
| KESC300BBL5  | 4                    | 9752692               | D.A.C. NON-CONVECTION        | 9751598                 | 15        |
| KESC300BBL6  | 4                    | 9752692               | D.A.C. NON-CONVECTION        | 9751598                 | 15        |
| KESC300BWH0  | 4                    | 3190379               | TIMER NON-CONVECTION         | 9751598                 | 15        |
| KESC300BWH1  | 4                    | 3190379               | TIMER NON-CONVECTION         | 9751598                 | 15        |
| KESC300BWH2  | 4                    | 3190379               | TIMER NON-CONVECTION         | 9751598                 | 15        |
| KESC300BWH3  | 4                    | 3190379               | TIMER NON-CONVECTION         | 9751598                 | 15        |
| KESC300BWH4  | 4                    | 3190379               | TIMER NON-CONVECTION         | 9751598                 | 15        |
| KESC300BWH5  | 4                    | 9752692               | D.A.C. NON-CONVECTION        | 9751598                 | 15        |
| KESC300BWH6  | 4                    | 9752692               | D.A.C. NON-CONVECTION        | 9751598                 | 15        |

| Model       | Figure #<br>(Page 2) | Touch Panel<br>Part # | Description           | Tech<br>Sheet<br>Part # | Page<br># |
|-------------|----------------------|-----------------------|-----------------------|-------------------------|-----------|
| KESC307BAL1 | 4                    | 3190379               | TIMER CONVECTION      | 9752669                 | 16        |
| KESC307BAL2 | 4                    | 3190379               | TIMER CONVECTION      | 9752669                 | 16        |
| KESC307BAL3 | 4                    | 3190379               | TIMER CONVECTION      | 9752669                 | 16        |
| KESC307BAL4 | 4                    | 3190379               | TIMER CONVECTION      | 9752669                 | 16        |
| KESC307BAL5 | 4                    | 3190379               | TIMER CONVECTION      | 9752669                 | 16        |
| KESC307BAL6 | 4                    | 3190379               | TIMER CONVECTION      | 9752669                 | 16        |
| KESC307BWH1 | 4                    | 3190379               | TIMER CONVECTION      | 9752669                 | 16        |
| KESC307BWH2 | 4                    | 3190379               | TIMER CONVECTION      | 9752669                 | 16        |
| KESC307BWH3 | 4                    | 3191107               | TIMER CONVECTION      | 9752669                 | 16        |
| KESC307BWH4 | 4                    | 3191107               | TIMER CONVECTION      | 9752669                 | 16        |
| KESC307BWH5 | 3                    | 3190378               | TIMER CONVECTION      | 9752669                 | 16        |
| KESC307BWH6 | 3                    | 3190378               | TIMER CONVECTION      | 9751598                 | 15        |
| KESH307BAL1 | 3                    | 3190378               | TIMER CONVECTION      | 9751598                 | 15        |
| KESH307BAL2 | 3                    | 3190378               | TIMER CONVECTION      | 9751598                 | 15        |
| KESH307BAL3 | 3                    | 3190378               | TIMER CONVECTION      | 9751598                 | 15        |
| KESH307BAL4 | 3                    | 9752691               | TIMER CONVECTION      | 9751598                 | 15        |
| KESH307BAL5 | 3                    | 9752691               | TIMER CONVECTION      | 9751598                 | 15        |
| KESH307BAL6 | 3                    | 3190378               | TIMER CONVECTION      | 9751598                 | 15        |
| KESH307BBL1 | 3                    | 3190378               | TIMER CONVECTION      | 9751598                 | 15        |
| KESH307BBL2 | 3                    | 3190378               | TIMER CONVECTION      | 9751598                 | 15        |
| KESH307BBL3 | 3                    | 3190378               | TIMER CONVECTION      | 9751598                 | 15        |
| KESH307BBL4 | 3                    | 9752691               | TIMER CONVECTION      | 9751598                 | 15        |
| KESH307BBL5 | 3                    | 9752691               | TIMER CONVECTION      | 9751598                 | 15        |
| KESH307BBL6 | 3                    | 3190378               | TIMER CONVECTION      | 9751598                 | 15        |
| KESH307BWH1 | 3                    | 3190378               | TIMER CONVECTION      | 9751598                 | 15        |
| KESH307BWH2 | 3                    | 3190378               | TIMER CONVECTION      | 9751598                 | 15        |
| KESH307BWH3 | 3                    | 3190378               | TIMER CONVECTION      | 9751598                 | 15        |
| KESH307BWH4 | 3                    | 9752691               | TIMER CONVECTION      | 9751598                 | 15        |
| KESH307BWH5 | 3                    | 9752691               | TIMER CONVECTION      | 9751598                 | 15        |
| KESH307BWH6 | 3                    | 3190378               | TIMER CONVECTION      | 9751598                 | 15        |
| KESS300BAL0 | 3                    | 3190378               | TIMER NON-CONVECTION  | 9751598                 | 15        |
| KESS300BWH0 | 3                    | 3190378               | TIMER NON-CONVECTION  | 9751598                 | 15        |
| KGRT500BAL1 | 3                    | 3190378               | TIMER NON-CONVECTION  | 9751598                 | 15        |
| KGRT500BAL2 | 3                    | 9752691               | TIMER NON-CONVECTION  | 9751598                 | 15        |
| KGRT500BAL3 | 3                    | 9752691               | TIMER NON-CONVECTION  | 9751598                 | 15        |
| KGRT500BAL4 | 3                    | 3190378               | TIMER NON-CONVECTION  | 9751598                 | 15        |
| KGRT500BWH1 | 3                    | 3190378               | TIMER NON-CONVECTION  | 9751598                 | 15        |
| KGRT500BWH2 | 3                    | 3190378               | TIMER NON-CONVECTION  | 9751598                 | 15        |
| KGRT500BWH3 | 3                    | 3190378               | TIMER NON-CONVECTION  | 9751598                 | 15        |
| KGRT500BWH4 | 3                    | 9752691               | TIMER NON-CONVECTION  | 9751598                 | 15        |
| KGRT500FAL0 | 3                    | 9752691               | D.A.C. NON-CONVECTION | 9751598                 | 15        |
| KGRT500FWH0 | 3                    | 3190379               | D.A.C. NON-CONVECTION | 9752669                 | 16        |
| KGRT507BAL1 | 4                    | 3190379               | TIMER CONVECTION      | 9752669                 | 16        |

| Model       | Figure #<br>(Page 2) | Touch Panel<br>Part # | Description                 | Tech<br>Sheet<br>Part # | Page<br># |
|-------------|----------------------|-----------------------|-----------------------------|-------------------------|-----------|
| KGRT507BAL2 | 3                    | 3190378               | TIMER CONVECTION            | 9752669                 | 16        |
| KGRT507BAL3 | 3                    | 3190378               | TIMER CONVECTION            | 9752669                 | 16        |
| KGRT507BAL4 | 3                    | 3190378               | TIMER CONVECTION            | 9752669                 | 16        |
| KGRT507BBL1 | 3                    | 3190378               | TIMER CONVECTION            | 9752669                 | 16        |
| KGRT507BBL2 | 3                    | 3190378               | TIMER CONVECTION            | 9752669                 | 16        |
| KGRT507BBL3 | 3                    | 3190378               | TIMER CONVECTION            | 9752669                 | 16        |
| KGRT507BBL4 | 3                    | 3190378               | TIMER CONVECTION            | 9752669                 | 16        |
| KGRT507BWH1 | 3                    | 3190378               | TIMER CONVECTION            | 9752669                 | 16        |
| KGRT507BWH2 | 3                    | 3190378               | TIMER CONVECTION            | 9752669                 | 16        |
| KGRT507BWH3 | 3                    | 3190378               | TIMER CONVECTION            | 9752669                 | 16        |
| KGRT507BWH4 | 3                    | 3190378               | TIMER CONVECTION            | 9752669                 | 16        |
| KGRT507FAL0 | 3                    | 3191106               | D.A.C. 3 CONTROL CONVECTION | 9752669                 | 16        |
| KGRT507FBL0 | 3                    | 3191106               | D.A.C. 3 CONTROL CONVECTION | 9752669                 | 16        |
| KGRT507FWH0 | 3                    | 3191106               | D.A.C. 3 CONTROL CONVECTION | 9752669                 | 16        |
| KGST300BAL0 | 4                    | 3190379               | TIMER NON-CONVECTION        | 9752669                 | 16        |
| KGST300BAL1 | 4                    | 3190379               | TIMER NON-CONVECTION        | 9752669                 | 16        |
| KGST300BAL2 | 4                    | 3190379               | TIMER NON-CONVECTION        | 9752669                 | 16        |
| KGST300BAL3 | 4                    | 3190379               | TIMER NON-CONVECTION        | 9752669                 | 16        |
| KGST300BWH0 | 4                    | 3190379               | TIMER NON-CONVECTION        | 9752669                 | 16        |
| KGST300BWH1 | 4                    | 3190379               | TIMER NON-CONVECTION        | 9752669                 | 16        |
| KGST300BWH2 | 4                    | 3190379               | TIMER NON-CONVECTION        | 9752669                 | 16        |
| KGST300BWH3 | 4                    | 3190379               | TIMER NON-CONVECTION        | 9752669                 | 16        |
| KGST300FAL0 | 4                    | 3191107               | D.A.C. NON-CONVECTION       | 9752669                 | 16        |
| KGST300FWH0 | 4                    | 3191107               | D.A.C. NON-CONVECTION       | 9752669                 | 16        |
| KGST307BAL0 | 3                    | 3190378               | TIMER CONVECTION            | 9752669                 | 16        |
| KGST307BAL1 | 3                    | 3190378               | TIMER CONVECTION            | 9752669                 | 16        |
| KGST307BAL2 | 3                    | 3190378               | TIMER CONVECTION            | 9752669                 | 16        |
| KGST307BAL3 | 3                    | 3190378               | TIMER CONVECTION            | 9752669                 | 16        |
| KGST307BBL0 | 3                    | 3190378               | TIMER CONVECTION            | 9752669                 | 16        |
| KGST307BBL1 | 3                    | 3190378               | TIMER CONVECTION            | 9752669                 | 16        |
| KGST307BBL2 | 3                    | 3190378               | TIMER CONVECTION            | 9752669                 | 16        |
| KGST307BBL3 | 3                    | 3190378               | TIMER CONVECTION            | 9752669                 | 16        |
| KGST307BWH0 | 3                    | 3190378               | TIMER CONVECTION            | 9752669                 | 16        |
| KGST307BWH1 | 3                    | 3190378               | TIMER CONVECTION            | 9752669                 | 16        |
| KGST307BWH2 | 3                    | 3190378               | TIMER CONVECTION            | 9752669                 | 16        |
| KGST307BWH3 | 3                    | 3190378               | TIMER CONVECTION            | 9752669                 | 16        |
| KGST307FAL0 | 3                    | 3191106               | D.A.C. 3 CONTROL CONVECTION | 9752669                 | 16        |
| KGST307FBL0 | 3                    | 3191106               | D.A.C. 3 CONTROL CONVECTION | 9752669                 | 16        |
| KGST307FWH0 | 3                    | 3191106               | D.A.C. 3 CONTROL CONVECTION | 9752669                 | 16        |



## BUILT-IN MODEL OVENS TOUCH PANEL COLORS

| <b>Black</b> | <b>White</b> | <b>Almond</b> | <b>Biscuit</b> | <b>Black Stainless</b> |
|--------------|--------------|---------------|----------------|------------------------|
| 4451060      | 4451061      | 4451062       |                |                        |
| 4451063      | 4451064      | 4451065       |                |                        |
| 4451248      | 4451249      |               |                |                        |
| 4451251      | 4451252      |               |                |                        |
| 4451254      | 4451255      |               |                |                        |
| 4451257      | 4451258      | 4451259       |                |                        |
| 4451260      | 4451261      |               |                |                        |
| 4451263      | 4451264      |               |                |                        |
| 4451276      | 4451277      |               |                |                        |
| 4451279      | 4451280      |               |                | 4451279                |
| 4451285      | 4451286      |               |                |                        |
| 4451288      | 4451289      |               |                |                        |
| 4451291      | 4451292      | 4451293       | 4451297        |                        |
| 4451294      | 4451295      | 4451296       |                |                        |

NOTE: The charts on the following pages show only white touch panels. For other touch panel colors, refer to the above chart.

| Model       | Figure #<br>(Page 3) | Touch Panel<br>Part # | Description         | Electronic<br>Control | Tech<br>Sheet<br>Part # | Page<br># |
|-------------|----------------------|-----------------------|---------------------|-----------------------|-------------------------|-----------|
| KEBI101DWH0 | 8                    | N/A                   | Thermal Single Oven | N/A                   | 4450809                 | 19        |
| KEBI101DWH1 | 8                    | 4451249               | Thermal Single Oven | 4448865               | 4454768                 | 28        |
| KEBI101DWH2 | 8                    | 4451261               | Thermal Single Oven | 4448865               | 4454768                 | 28        |
| KEBI101DWH4 | 8                    | 4451261               | Thermal Single Oven | 4448865               | 4454768                 | 28        |
| KEBI101DWH6 | 8                    | 4451261               | Thermal Single Oven | 4448865               | 4452023                 | 23        |
| KEBI101DWH7 | 8                    | 4451801               | Thermal Single Oven | 4448453               | 4451876                 |           |
| KEBI141DWH0 | 8                    | N/A                   | Thermal Single Oven | N/A                   | 4450809                 | 19        |
| KEBI141DWH1 | 8                    | 4451249               | Thermal Single Oven | 4448865               | 4454768                 | 28        |
| KEBI141DWH2 | 8                    | 4451249               | Thermal Single Oven | 4448865               | 4454768                 | 28        |
| KEBI141DWH4 | 8                    | 4451249               | Thermal Single Oven | 4448865               | 4454768                 | 28        |
| KEBI141DWH6 | 8                    | 4451249               | Thermal Single Oven | 4448865               | 4452023                 | 23        |
| KEBI141DWH7 | 8                    | 4451801               | Thermal Single Oven | 4451845               | 4451876                 |           |
| KEBI171DWH0 | 8                    | N/A                   | Thermal Single Oven | N/A                   | 4450809                 | 19        |
| KEBI171DWH1 | 8                    | 4451255               | Thermal Single Oven | 4448865               | 4454768                 | 28        |
| KEBI171DWH2 | 8                    | 4451255               | Thermal Single Oven | 4448865               | 4454768                 | 28        |
| KEBI171DWH4 | 8                    | 4451255               | Thermal Single Oven | 4448865               | 4454768                 | 28        |
| KEBI171DWH6 | 8                    | 4451255               | Thermal Single Oven | 4448865               | 4452023                 | 23        |
| KEBI171DWH7 | 8                    | 4451801               | Thermal Single Oven | 4451845               | 4451876                 |           |
| KEBI276DWH0 | 8                    | N/A                   | Thermal Double Oven | N/A                   | 4448401                 |           |
| KEBI276DWH1 | 8                    | 4451277               | Thermal Double Oven | 4448868               | 4454770                 | 30        |
| KEBI276DWH2 | 8                    | 4451277               | Thermal Double Oven | 4448868               | 4454770                 | 30        |
| KEBI276DWH4 | 8                    | 4451277               | Thermal Double Oven | 4448868               | 4454770                 | 30        |
| KEBI276DWH6 | 8                    | 4451277               | Thermal Double Oven | 4448868               | 4452025                 | 25        |
| KEBS107DWH0 | 7                    | N/A                   | Thermal Convection  | N/A                   | 4448401                 |           |
| KEBS107DWH1 | 7                    | 4451264               | Thermal Convection  | 4448866               | 4454769                 | 29        |
| KEBS107DWH2 | 7                    | 4451264               | Thermal Convection  | 4448866               | 4454769                 | 29        |
| KEBS107DWH4 | 7                    | 4451264               | Thermal Convection  | 4448866               | 4454769                 | 29        |
| KEBS107DWH6 | 7                    | 4451264               | Thermal Convection  | 4448866               | 4452024                 | 24        |
| KEBS107DWH7 | 7                    | 4451804               | Thermal Convection  | 4451845               | 4451876                 |           |
| KEBS147DWH0 | 7                    | N/A                   | Thermal Convection  | N/A                   | 4450810                 | 20        |
| KEBS147DWH1 | 7                    | 4451252               | Thermal Convection  | 4448866               | 4454769                 | 29        |
| KEBS147DWH2 | 7                    | 4451252               | Thermal Convection  | 4448866               | 4454769                 | 29        |
| KEBS147DWH4 | 7                    | 4451252               | Thermal Convection  | 4448866               | 4454769                 | 29        |
| KEBS147DWH6 | 7                    | 4451252               | Thermal Convection  | 4448866               | 4452024                 | 24        |
| KEBS147DWH7 | 7                    | 4451804               | Thermal Convection  | 4451845               | 4451876                 |           |
| KEBS177DWH0 | 7                    | N/A                   | Thermal Convection  | N/A                   | 4450810                 | 20        |
| KEBS177DWH1 | 7                    | 4451258               | Thermal Convection  | 4448866               | 4454769                 | 29        |
| KEBS177DWH2 | 7                    | 4451258               | Thermal Convection  | 4448866               | 4454769                 | 29        |
| KEBS177DWH4 | 7                    | 4451258               | Thermal Convection  | 4448866               | 4454769                 | 29        |
| KEBS177DWH6 | 7                    | 4451258               | Thermal Convection  | 4448866               | 4452024                 | 24        |
| KEBS177DWH7 | 7                    | 4451804               | Thermal Convection  | 4451845               | 4451876                 |           |

| Model       | Figure #<br>(Page 3) | Touch Panel<br>Part # | Description                  | Electronic<br>Control | Tech<br>Sheet<br>Part # | Page<br># |
|-------------|----------------------|-----------------------|------------------------------|-----------------------|-------------------------|-----------|
| KEBS207DWH0 | 6                    | N/A                   | Thermal Convection Upper     | N/A                   | 4450310                 | 18        |
| KEBS207DWH1 | 6                    | 4451295               | Thermal Convection Upper     | 4448871               | 4050811                 | 21        |
| KEBS207DWH2 | 6                    | 4451295               | Thermal Convection Upper     | 4448871               | 4454771                 | 31        |
| KEBS207DWH4 | 6                    | 4451295               | Thermal Convection Upper     | 4448871               | 4454771                 | 31        |
| KEBS207DWH6 | 6                    | 4451295               | Thermal Convection Upper     | 4448871               | 4452026                 | 26        |
| KEBS208DWH0 | 5                    | N/A                   | Thermal Convection Double    | N/A                   | 4450310                 | 18        |
| KEBS208DWH1 | 5                    | 4451286               | Thermal Convection Double    | 4448871               | 4454771                 | 31        |
| KEBS208DWH2 | 5                    | 4451286               | Thermal Convection Double    | 4448871               | 4454771                 | 31        |
| KEBS208DWH4 | 5                    | 4451286               | Thermal Convection Double    | 4448871               | 4454771                 | 31        |
| KEBS208DWH6 | 5                    | 4451286               | Thermal Convection Double    | 4448871               | 4452026                 | 26        |
| KEBS247DWH0 | 6                    | N/A                   | Thermal Convection Upper     | N/A                   | 4448437                 | 17        |
| KEBS247DWH1 | 6                    | 4451289               | Thermal Convection Upper     | 4448871               | 4454771                 | 31        |
| KEBS247DWH2 | 6                    | 4451289               | Thermal Convection Upper     | 4448871               | 4454771                 | 31        |
| KEBS247DWH4 | 6                    | 4451289               | Thermal Convection Upper     | 4448871               | 4454771                 | 31        |
| KEBS247DWH6 | 6                    | 4451289               | Thermal Convection Upper     | 4448871               | 4452026                 | 26        |
| KEBS277DWH0 | 6                    | N/A                   | Thermal Convection Upper     | N/A                   | 4448437                 | 17        |
| KEBS277DWH1 | 6                    | 4451292               | Thermal Convection Upper     | 4448871               | 4454771                 | 31        |
| KEBS277DWH2 | 6                    | 4451292               | Thermal Convection Upper     | 4448871               | 4454771                 | 31        |
| KEBS277DWH4 | 6                    | 4451292               | Thermal Convection Upper     | 4448871               | 4454771                 | 31        |
| KEBS277DWH6 | 6                    | 4451292               | Thermal Convection Upper     | 4448871               | 4452026                 | 26        |
| KEBS278DWH0 | 5                    | N/A                   | Thermal Convection Double    | N/A                   | 4450310                 | 18        |
| KEBS278DWH1 | 5                    | 4451280               | Thermal Convection Double    | 4448871               | 4454771                 | 31        |
| KEBS278DWH2 | 5                    | 4451280               | Thermal Convection Double    | 4448871               | 4454771                 | 31        |
| KEBS278DWH4 | 5                    | 4451280               | Thermal Convection Double    | 4448871               | 4454771                 | 31        |
| KEBS278DWH6 | 5                    | 4451280               | Thermal Convection Double    | 4448871               | 4452026                 | 26        |
| KEMS307DWH1 | 9                    | 4451064               | Microwave/Thermal Oven       | 4448869               | 4451057                 | 22        |
| KEMS307DWH2 | 9                    | 4451064               | Microwave/Thermal Oven       | 4448869               | 4454773                 | 32        |
| KEMS307DWH4 | 9                    | 4451064               | Microwave/Thermal Oven       | 4448869               | 4454773                 | 32        |
| KEMS307DWH6 | 9                    | 4451064               | Microwave/Thermal Oven       | 4448869               | 4452028                 | 27        |
| KEMS308DWH0 | 9                    | N/A                   | Microwave/Thermal Convection | N/A                   |                         |           |
| KEMS308GWH0 | 9                    | 4451766               | Microwave/Thermal Convection | 4451653               | 4452028                 | 27        |
| KEMS377DWH1 | 9                    | 4451061               | Microwave/Thermal Oven       | 4448869               | 4451057                 | 22        |
| KEMS377DWH2 | 9                    | 4451061               | Microwave/Thermal Oven       | 4448869               | 4454773                 | 32        |
| KEMS377DWH4 | 9                    | 4451061               | Microwave/Thermal Oven       | 4448869               | 4454773                 | 32        |
| KEMS377DWH6 | 9                    | 4451061               | Microwave/Thermal Oven       | 4448869               | 4452028                 | 27        |
| KEMS377GWH0 | 9                    | 4451766               | Microwave/Thermal Oven       | 4451653               |                         |           |
| KEMS378DWH0 | 9                    | N/A                   | Microwave/Thermal Convection | N/A                   |                         |           |
| KEMS378GWH0 | 9                    | 4451769               | Microwave/Thermal Convection | 4452482               | 4452028                 | 27        |

## FAILURE CODES

- F1** Control out of calibration:
- Place the sensor in ice water (32°F) and check the resistance (1000 ±20 Ω).
  - If the resistance is not within the specified range, replace the sensor.
  - If sensor resistance is okay, replace the control module.
- F2** Keyboard shorted. Cancel not operating:
- Press the CANCEL keypad.
  - Press the BAKE keypad and wait for 30 seconds.
  - If the F2 code remains, replace the electronic control.
- F3** Oven probe shorted or open:
- Place the sensor in ice water (32°F) and check resistance (1000 ±20 Ω).
  - If the resistance is not within the specified range, replace the sensor.
  - If sensor resistance is okay, replace the control module.
- F4** Meat probe shorted:
- Make sure the meat probe is plugged in.
  - Check the probe for 5000 Ω at room temperature and 4000 Ω at 200°F.
- F5** Door signal inconsistent:
- Open and close the door to see if the oven light responds.
  - If the oven light does not operate properly, replace the door switch.
- F5\*** Ambient (console bimetal) sensor open (too hot):
- Check control bimetal.
- F7\*** Control or keypad switches shorted:
- Check continuity of door and latch switches.
- PF** Power Failure:
- Power has been turned on for the first time, or power has been interrupted.
- Temperature Calibration**
- Press and hold the BAKE keypad for 4 seconds. The timer will show the current setting.
  - Press the Bake keypad again to calibrate the oven temperature. Each press of the up ▲ or down ▼ keypad will change the calibration temperature by 5°F to a maximum of ±35°F.

\* Not used on some oven controls.

---

## HIDDEN CODES

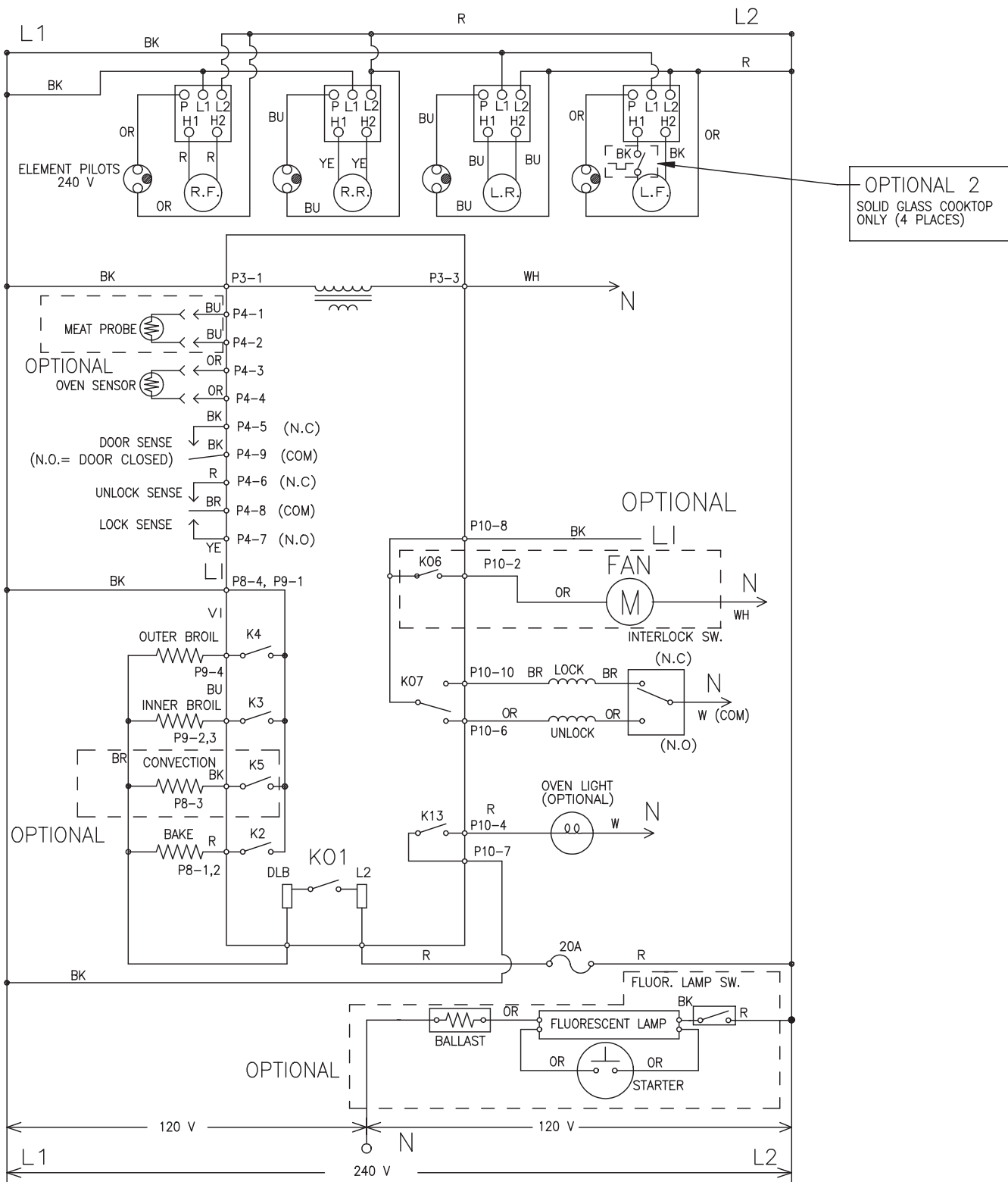
To obtain the hidden codes, press and hold each of the following pads for 5 seconds:

- BAKE** Oven calibration allows bake temperature to be varied ± 35°
- BROIL** Toggles between Fahrenheit (F) and Celsius (C).
- 0** Displays the last failure (F/E) code that was used and the latest ROM revision.
- 1** Shows the type of range the electronic control is configured for.
- 3** Locks out the keypads so they cannot be used.
- 6** Switches the range to SABBATH mode.
- 7** Changes the tone frequency.

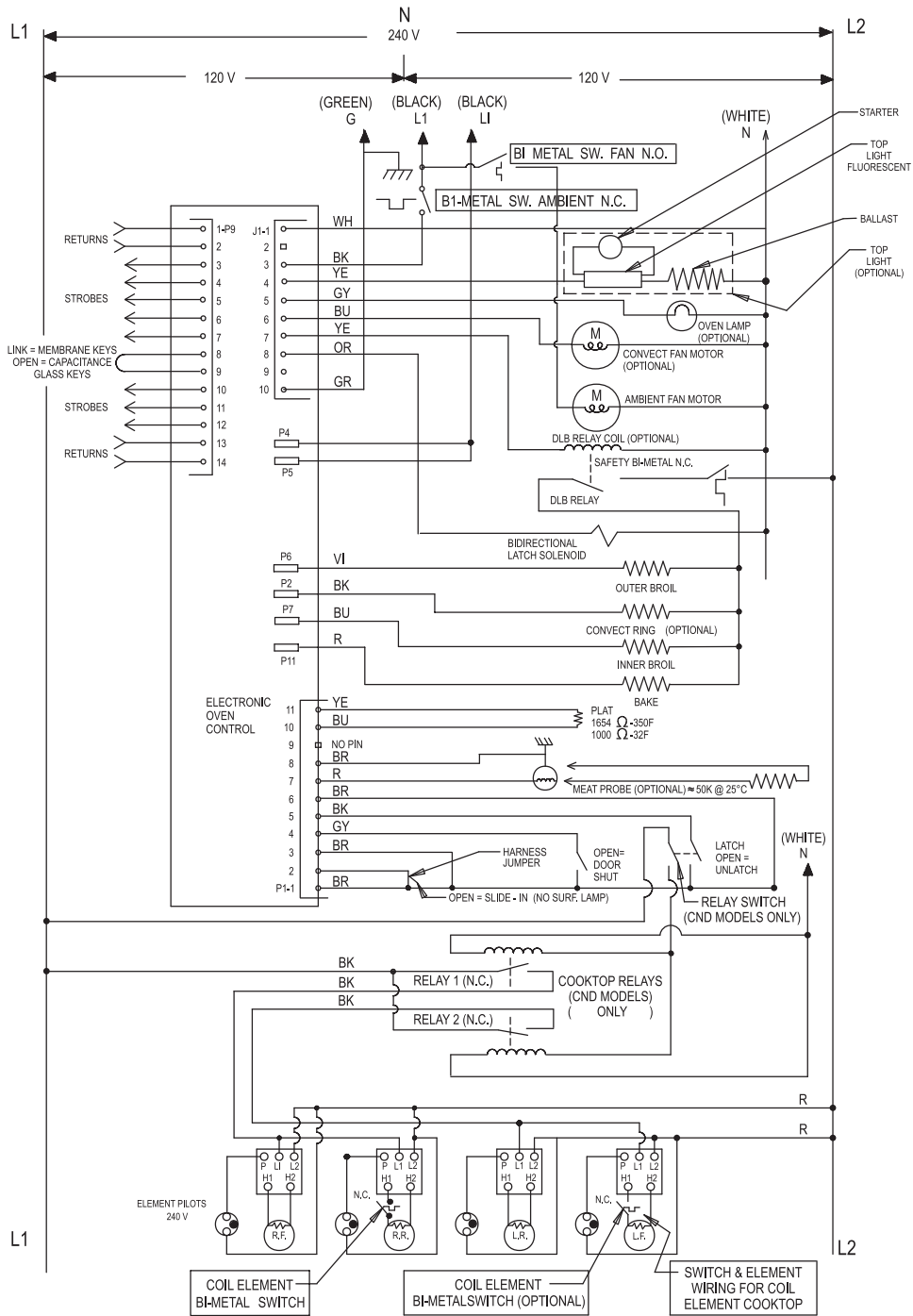
# UNIVERSAL FAILURE & ERROR CODES

- F1** = Electronics Subsystem Failure. Replace the electronic control board.  
E0 = EEPROM communication error.  
E1 = EEPROM checksum error.  
E2 = A/D converter error (is there an error bit in the microprocessor?; does this mean lost a voltage rail?)  
E3 = Configuration jumper (cavity size or gas/electric) does not match setting defined in EEPROM (this was designed to notify the installer that the jumpers were not reconnected properly).  
E5 = Calibration shifted.  
E9 = Stack overflow.
- F2** = Keypad Subsystem Failure. Replace the keypad if properly connected and this F code is displayed.  
E0 = Shorted keypad or keypad stuck.  
E1 = Keypad or keytail not connected.  
E4 = Keypads unsettled (applies to capacitive glass when a constant reading cannot be taken).  
E5 = Cancel key low or open.
- F3** = Cavity Temperature Sensor Failure. Check for welded relays. If okay, replace the temperature sensor.  
E0 = Sensor open.  
E1 = Sensor shorted.  
E2 = Non self-clean over-temperature (usually 550°F).  
E3 = Self-clean over-temperature (usually 900°F).
- F4** = Meat Probe Failure. Check for proper resistance on probe. If okay, replace the meat probe jack.  
E1 = Meat probe shorted.
- F5** = Latch Subsystem Failure. Check for proper latch movement, switch actuation, and clearance between the latch and door.  
E0 = Latch switch does not agree with door switch (i.e. latch in locked position with door open).  
E1 = Latch will not lock.  
E3 = Loss of ground or L1 to N is reversed. Check to make sure that the voltage from L1 to ground is 120-volts AC.  
E5 = Self-clean temperature set point is not reached within the required time range (usually 30 - 45 minutes).  
E7 = Latch will not unlock.
- F6** = Electronics Over-Temperature. Check the blower and ventilation system.  
E0 = Over-temperature with blower on high speed.  
E1 = Over-temperature with blower on low speed.  
E2 = Over-temperature with blower off.
- F7** = Digital Switch Signal (i.e. 5 vdc @ 1kHz) Failure. Check for shorted door or latch switch wiring to chassis ground.  
E0 = Signal line shorted to ground.

# WIRING DIAGRAMS

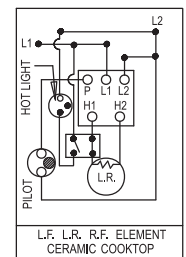
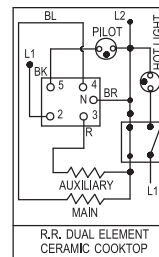
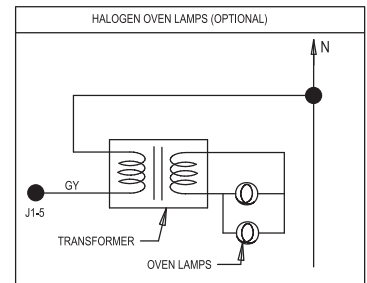


**Tech Sheet #9752381 & #9750877**

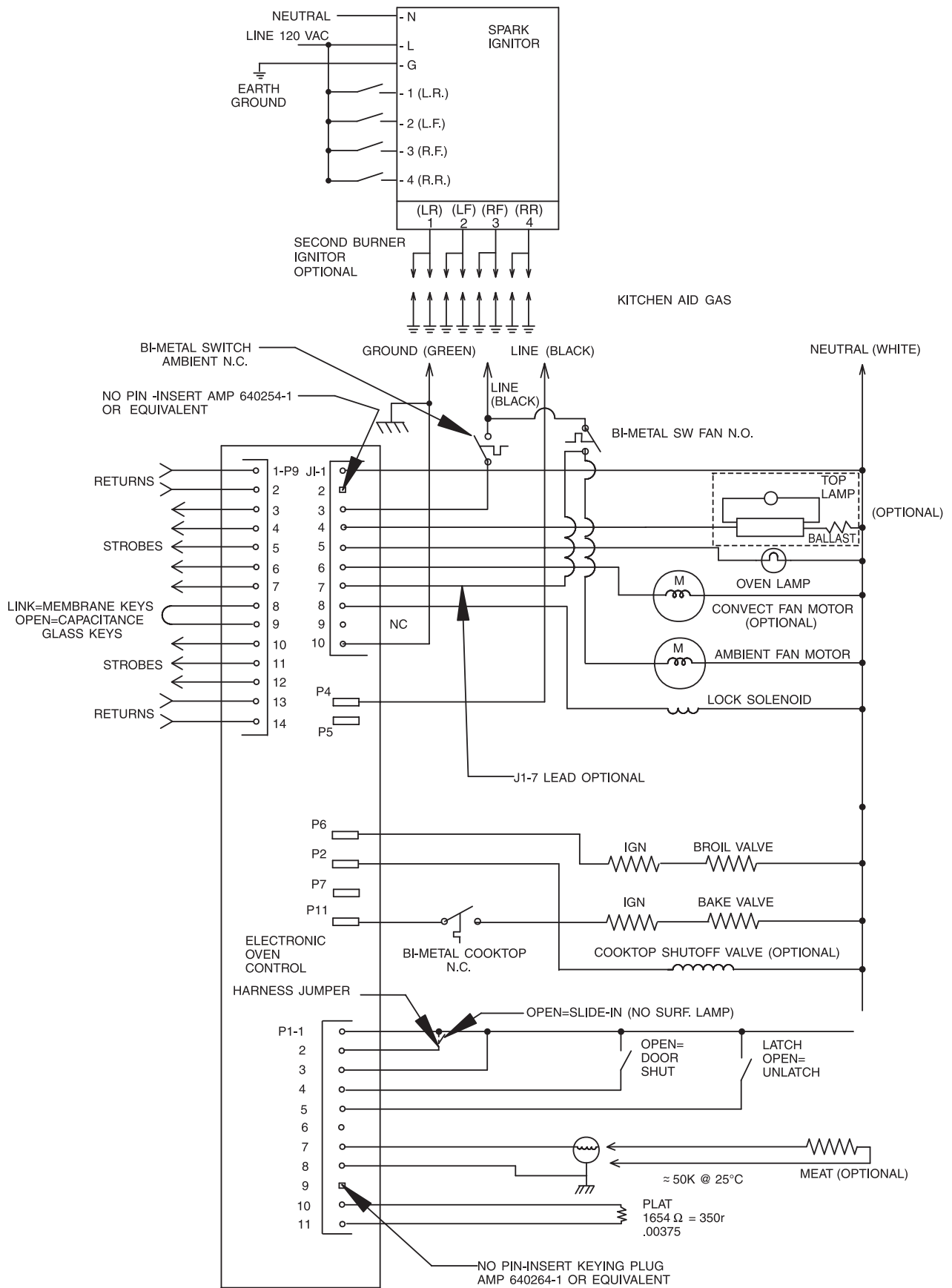


| MODES            | OVEN RELAY |      |             |            |             |             |          |            |                          |                   |
|------------------|------------|------|-------------|------------|-------------|-------------|----------|------------|--------------------------|-------------------|
|                  | OFF        | BAKE | ECONO BROIL | MAXI BROIL | CONV. BROIL | CONV. ROAST | PRE HEAT | CONV. BAKE | FAISING BREAD, DEHYDRATE | CLEAN (DOOR LOCK) |
| BAKE             | ●          | ●    | ○           | ○          | ○           | ○           | ○        | ○          | ○                        | ○                 |
| BROIL INNER      | ○          | ○    | ●           | ●          | ○           | ○           | ○        | ○          | ○                        | ○                 |
| BROIL OUTER      | ○          | ○    | ○           | ○          | ●           | ●           | ○        | ○          | ○                        | ○                 |
| CONV. ELEM       | ○          | ○    | ○           | ○          | ○           | ○           | ○        | ○          | ○                        | ○                 |
| CONV. FAN        | ○          | ○    | ○           | ○          | ○           | ○           | ○        | ○          | ○                        | ○                 |
| OVEN LIGHT       | ○          | ○    | ○           | ○          | ○           | ○           | ○        | ○          | ○                        | ○                 |
| DOOR LOCK SWITCH | ○          | ○    | ○           | ○          | ○           | ○           | ○        | ○          | ○                        | ○                 |
| DLB              | ○          | ○    | ○           | ○          | ○           | ○           | ○        | ○          | ○                        | ○                 |
| TOP LIGHT        | ○          | ○    | ○           | ○          | ○           | ○           | ○        | ○          | ○                        | ○                 |

| LEGEND |                                   |
|--------|-----------------------------------|
| ●      | = OFF                             |
| ○      | = ON (CYCLES)                     |
| X      | = CAN BE OFF OR ON (USER SETTING) |

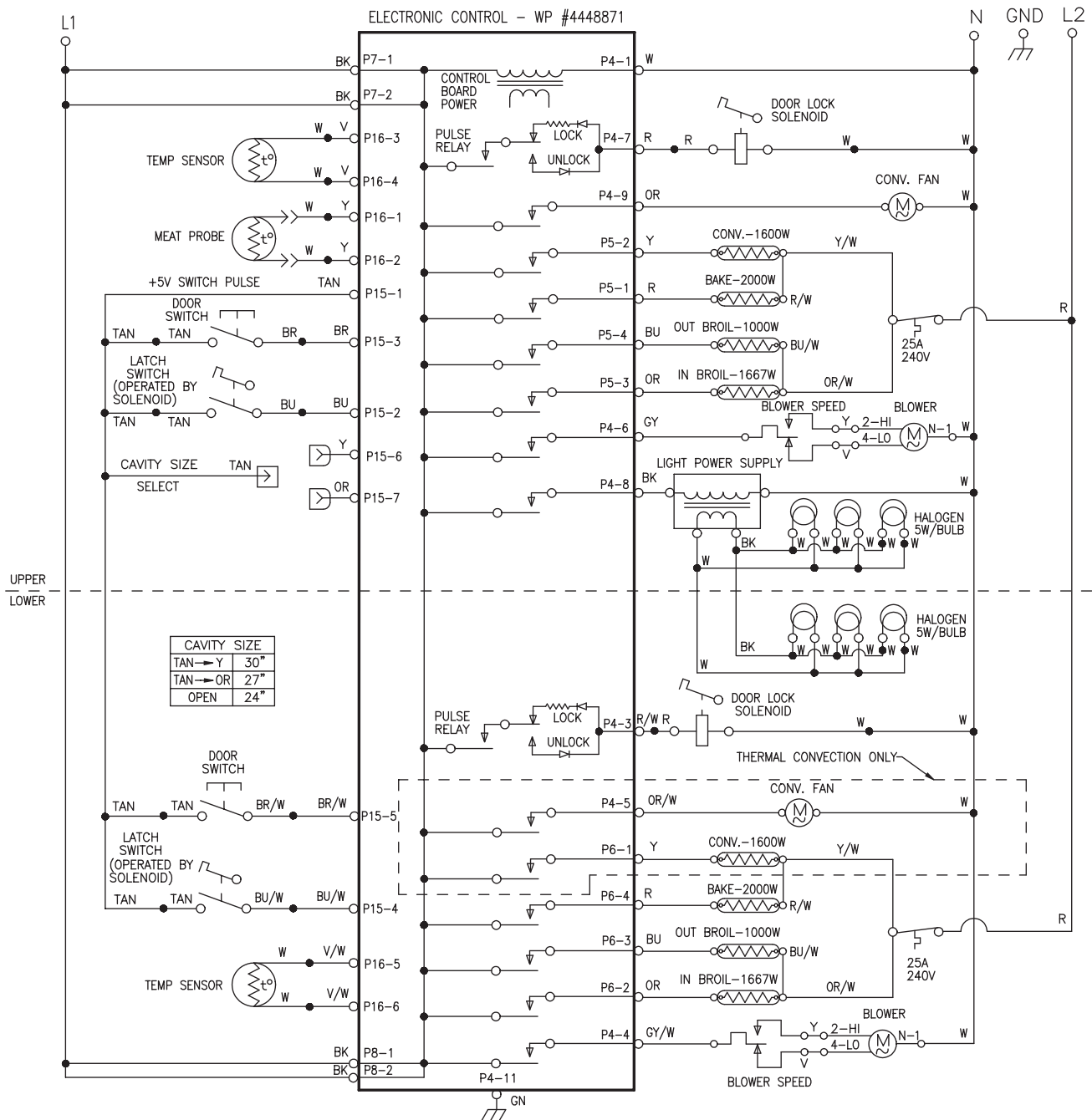


## Tech Sheet #9751598

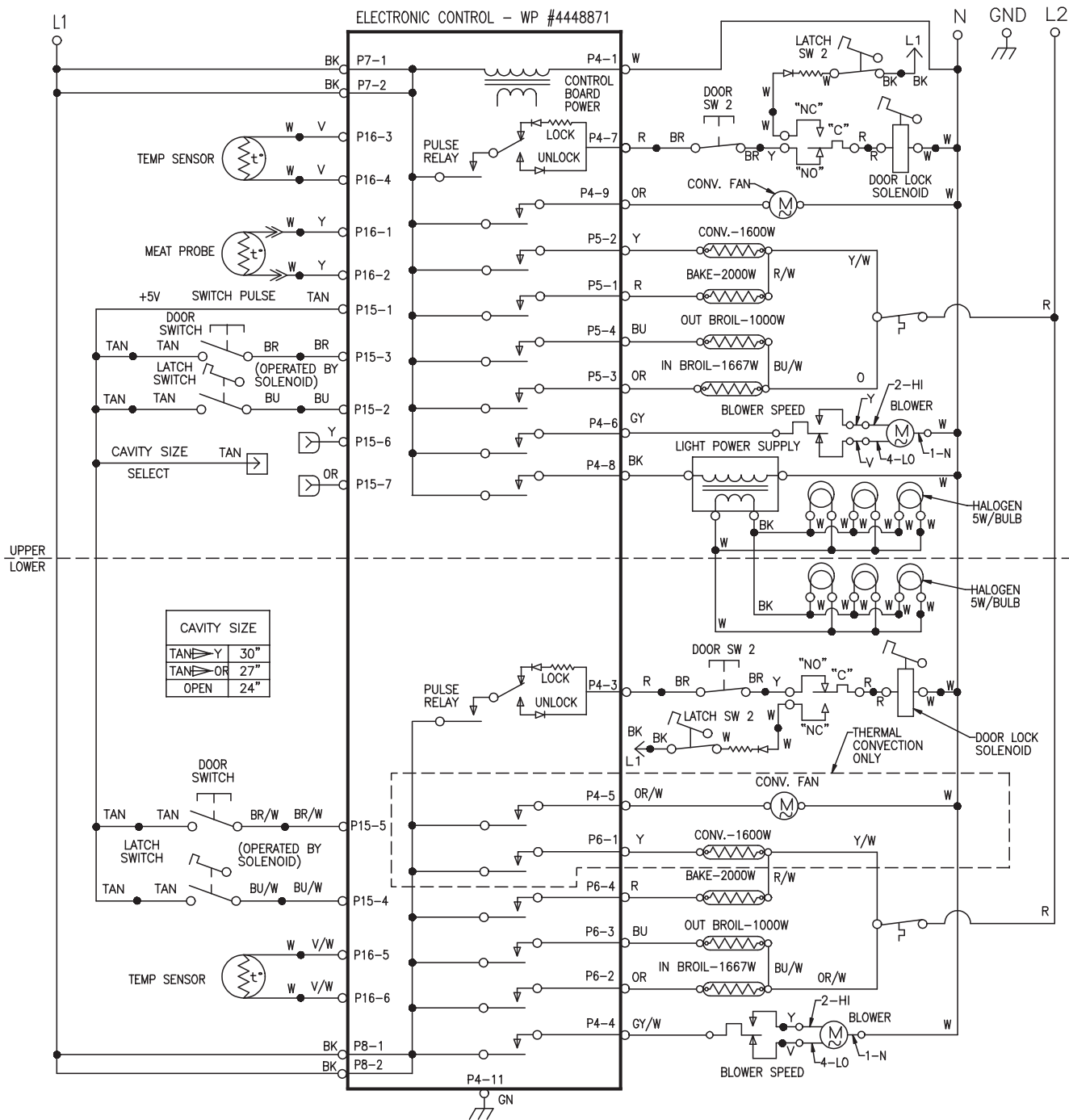


## Tech Sheet #9752669

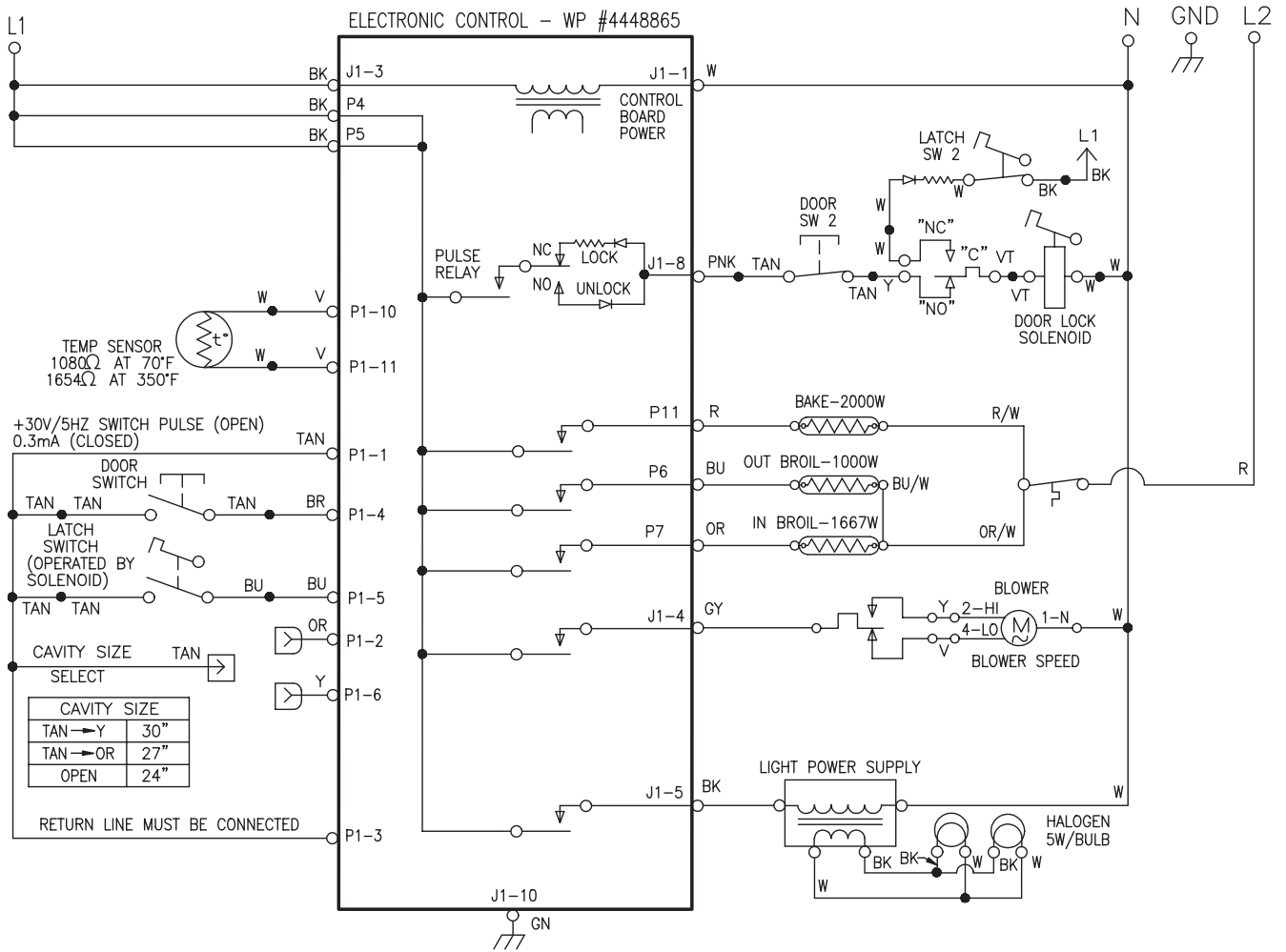




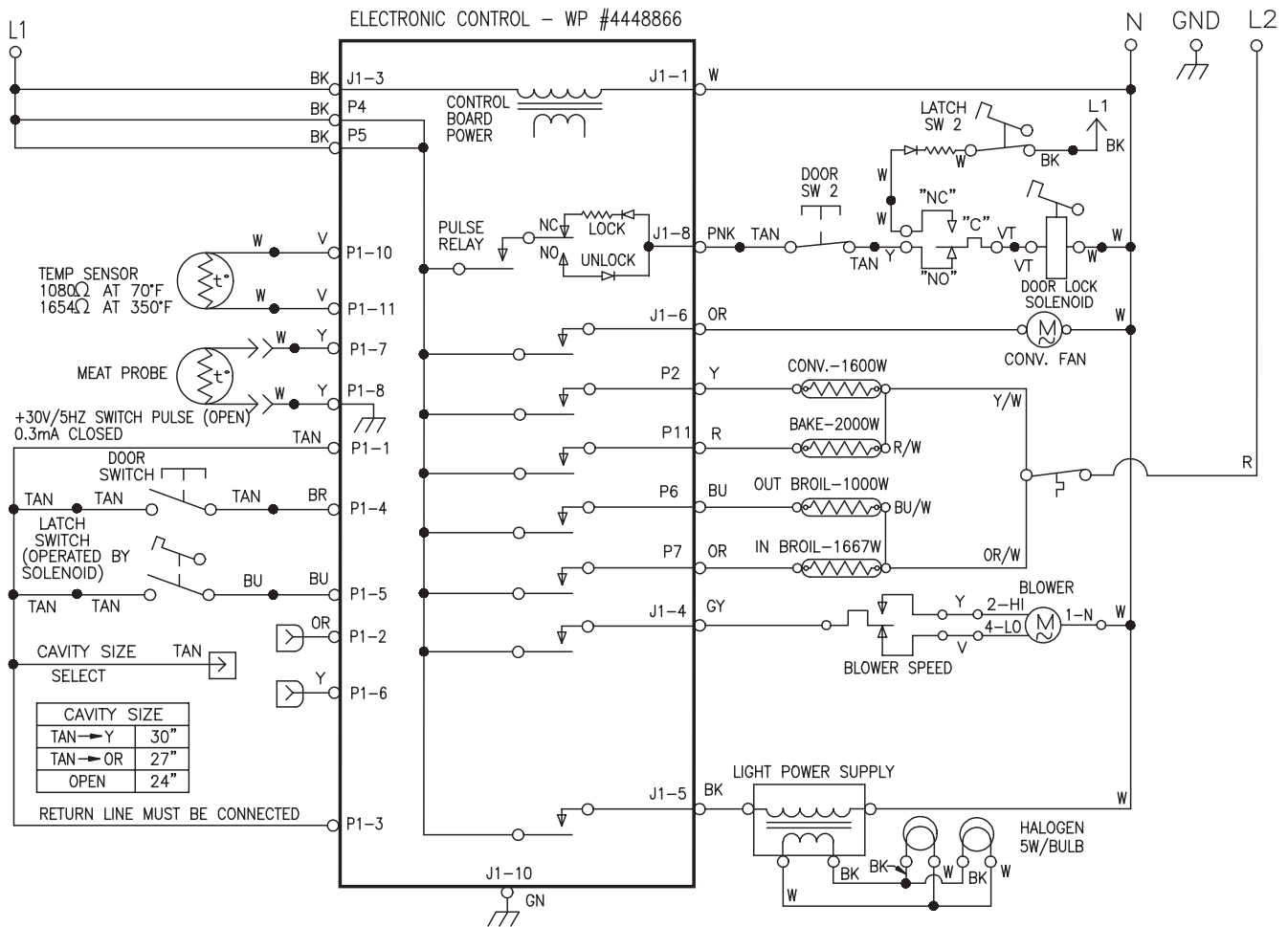
## Tech Sheet #4448437



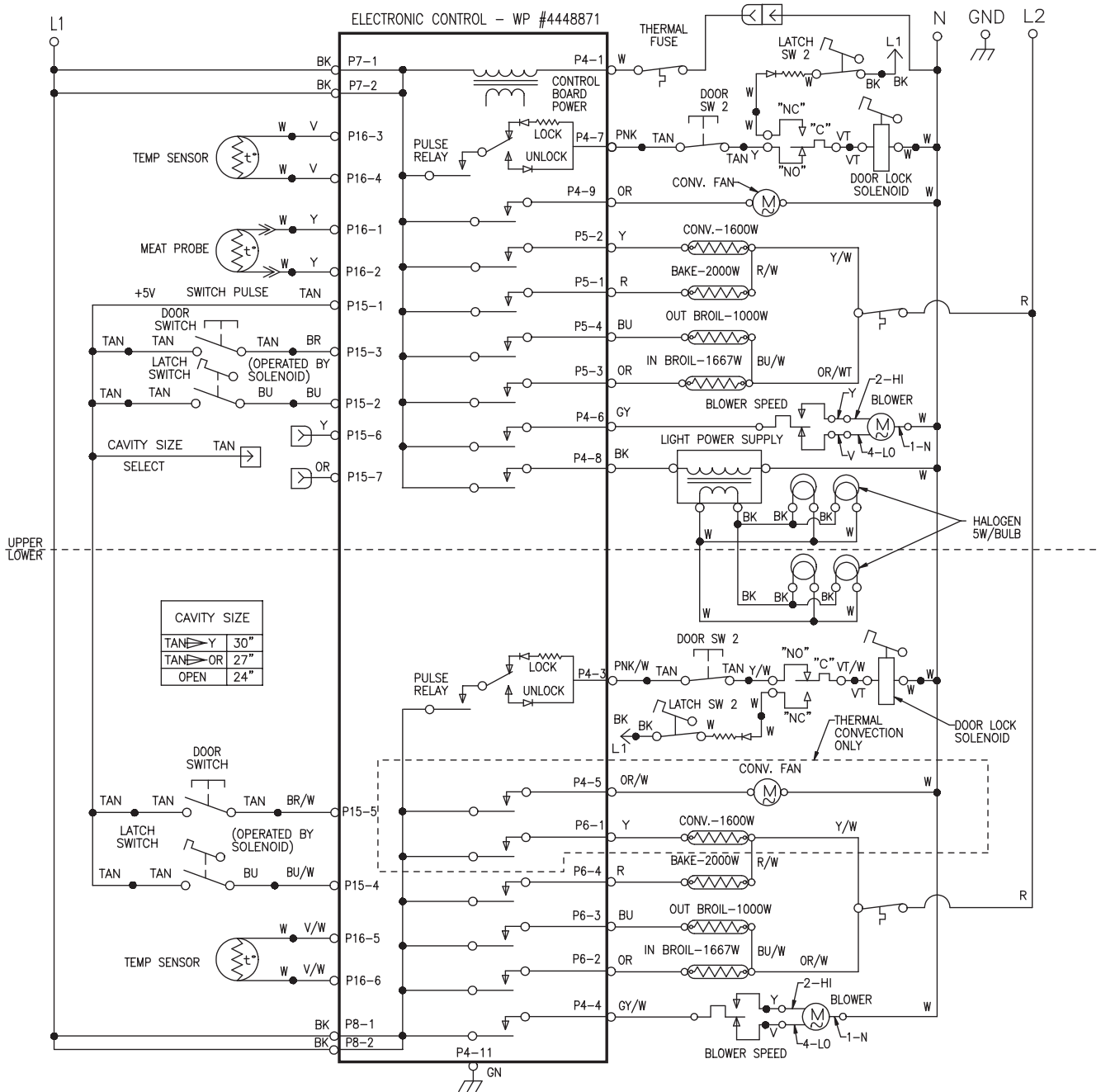
## Tech Sheet #4450310



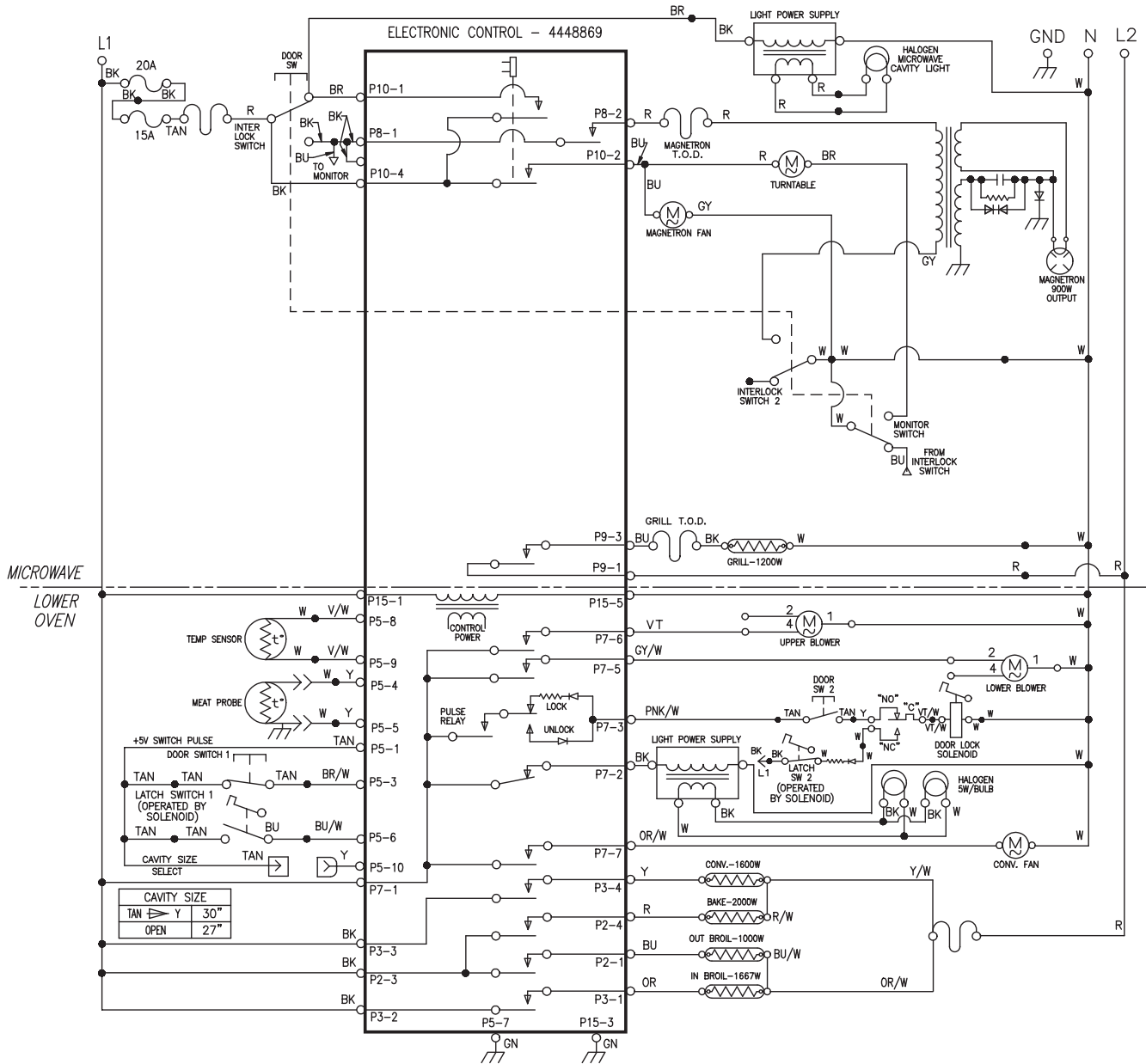
## Tech Sheet #4450809



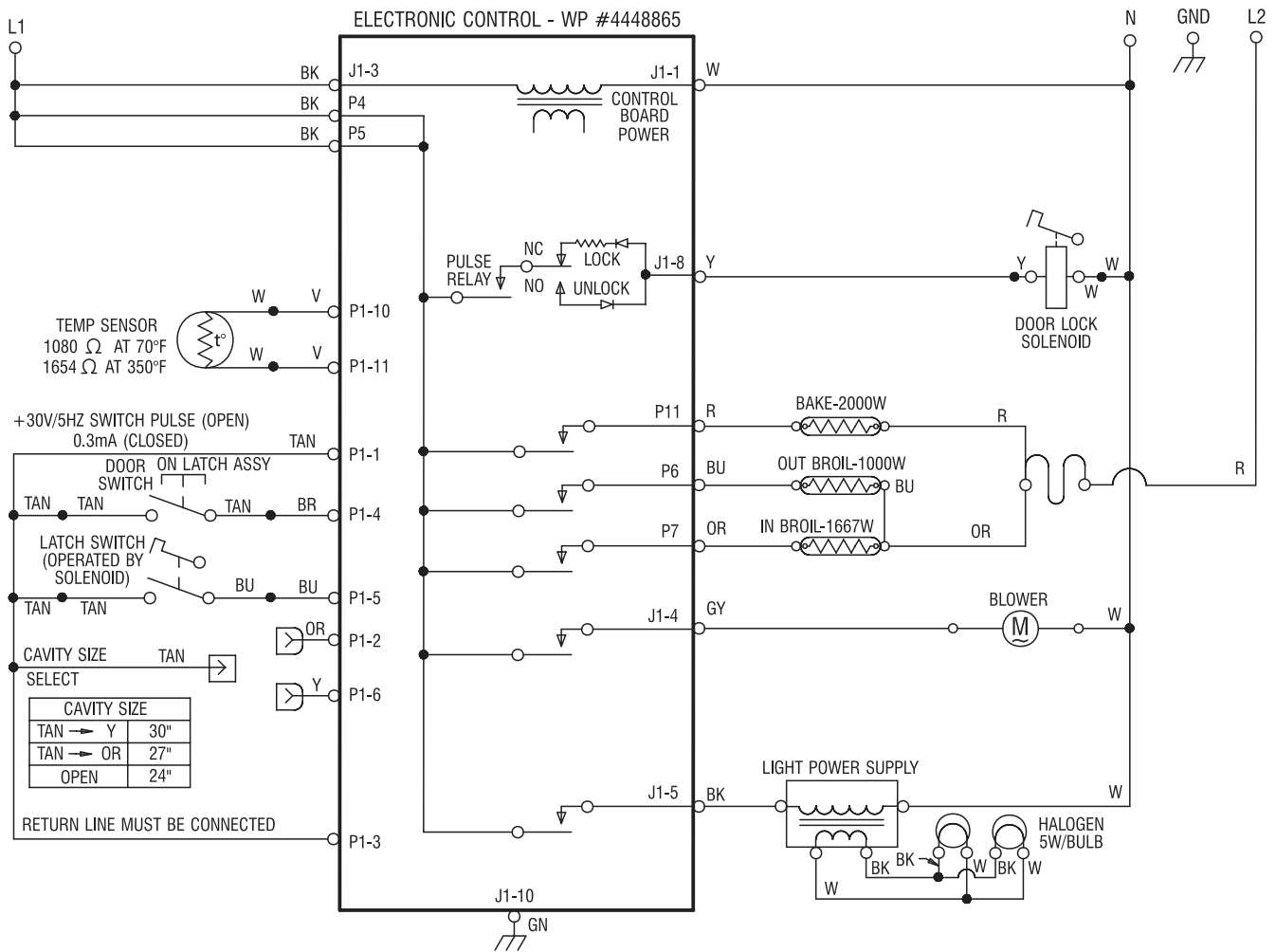
## Tech Sheet #4450810



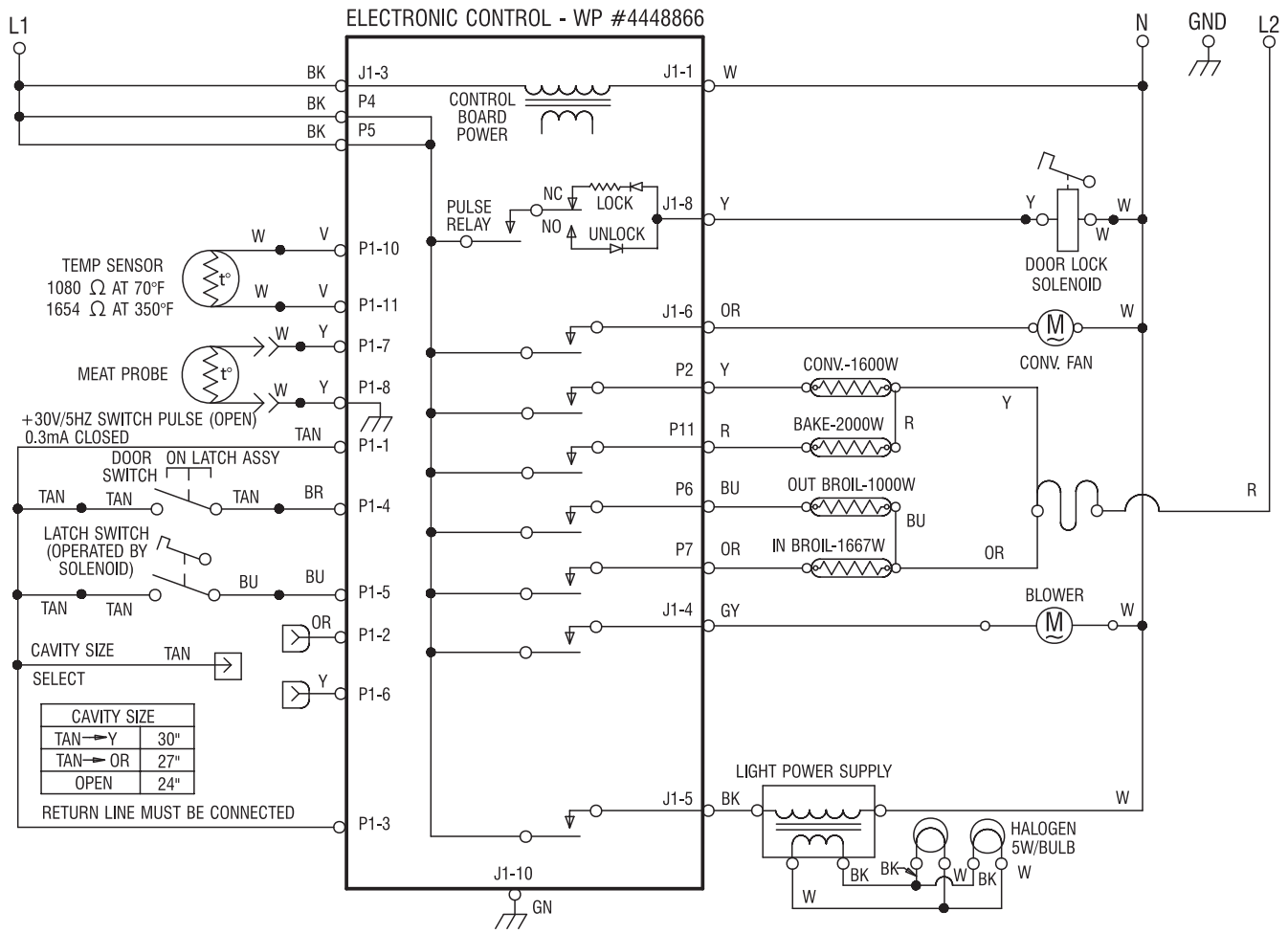
## Tech Sheet #4450811



## Tech Sheet #4451057

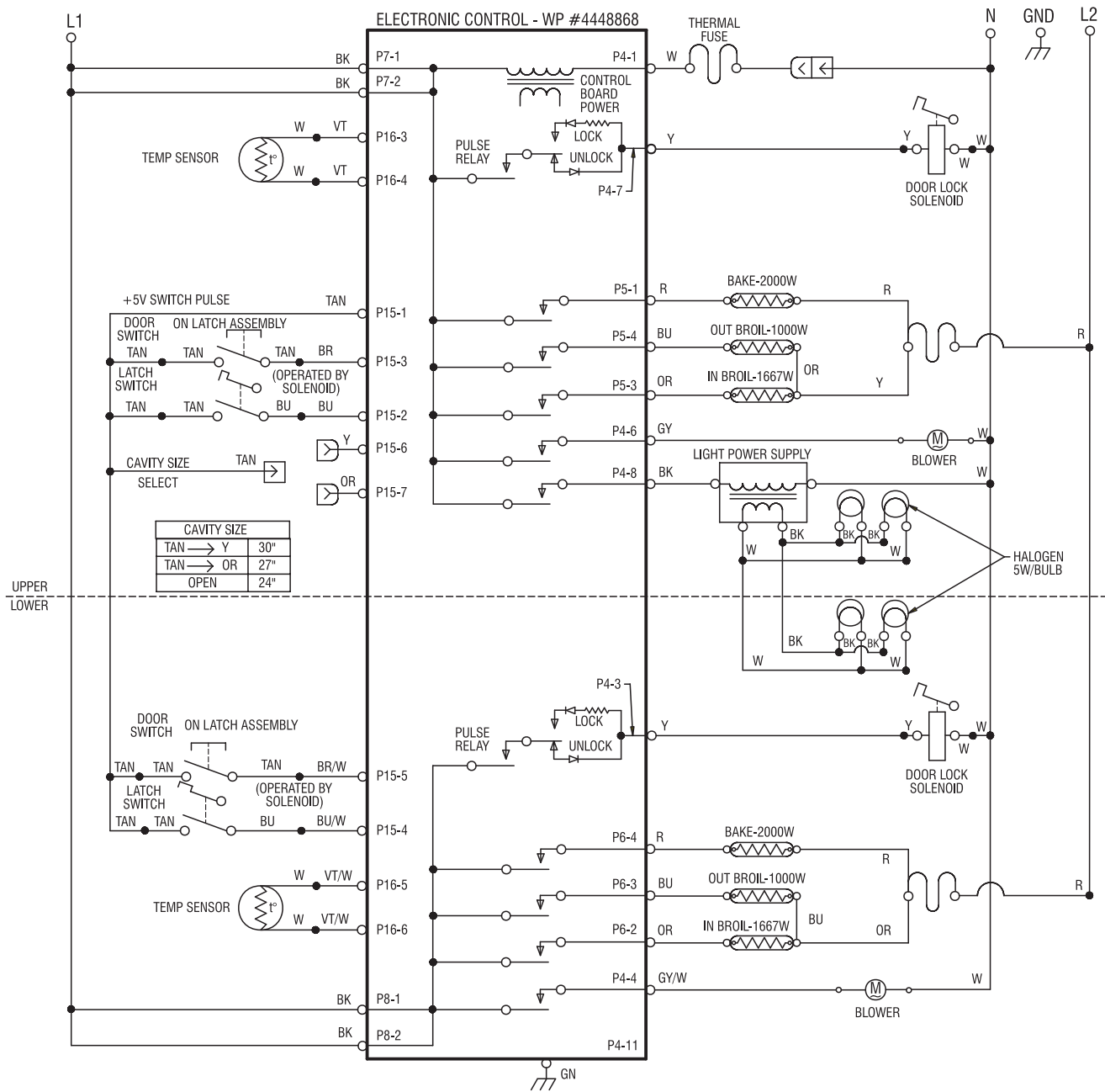


## Tech Sheet #4452023

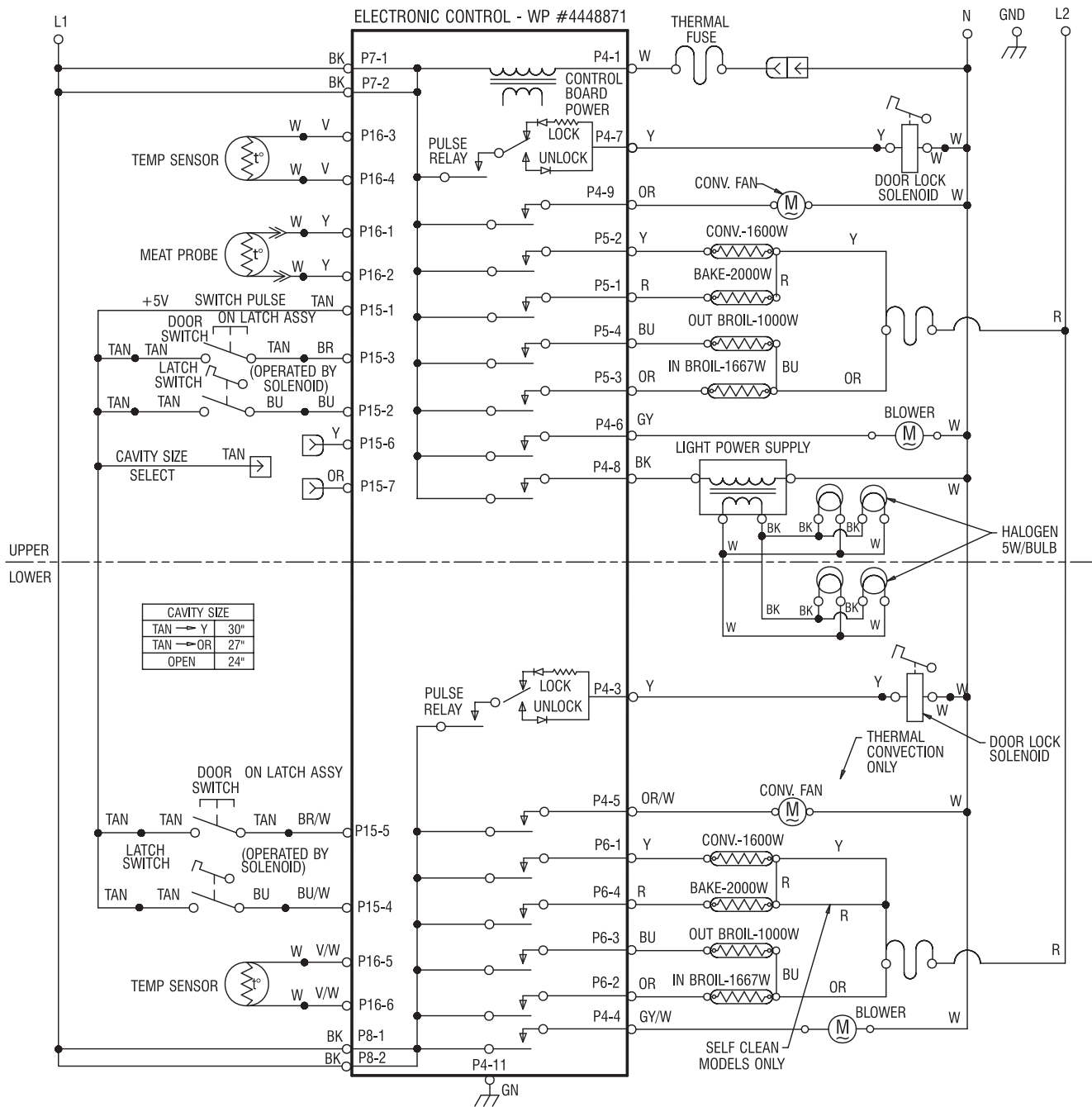


## Tech Sheet #4452024

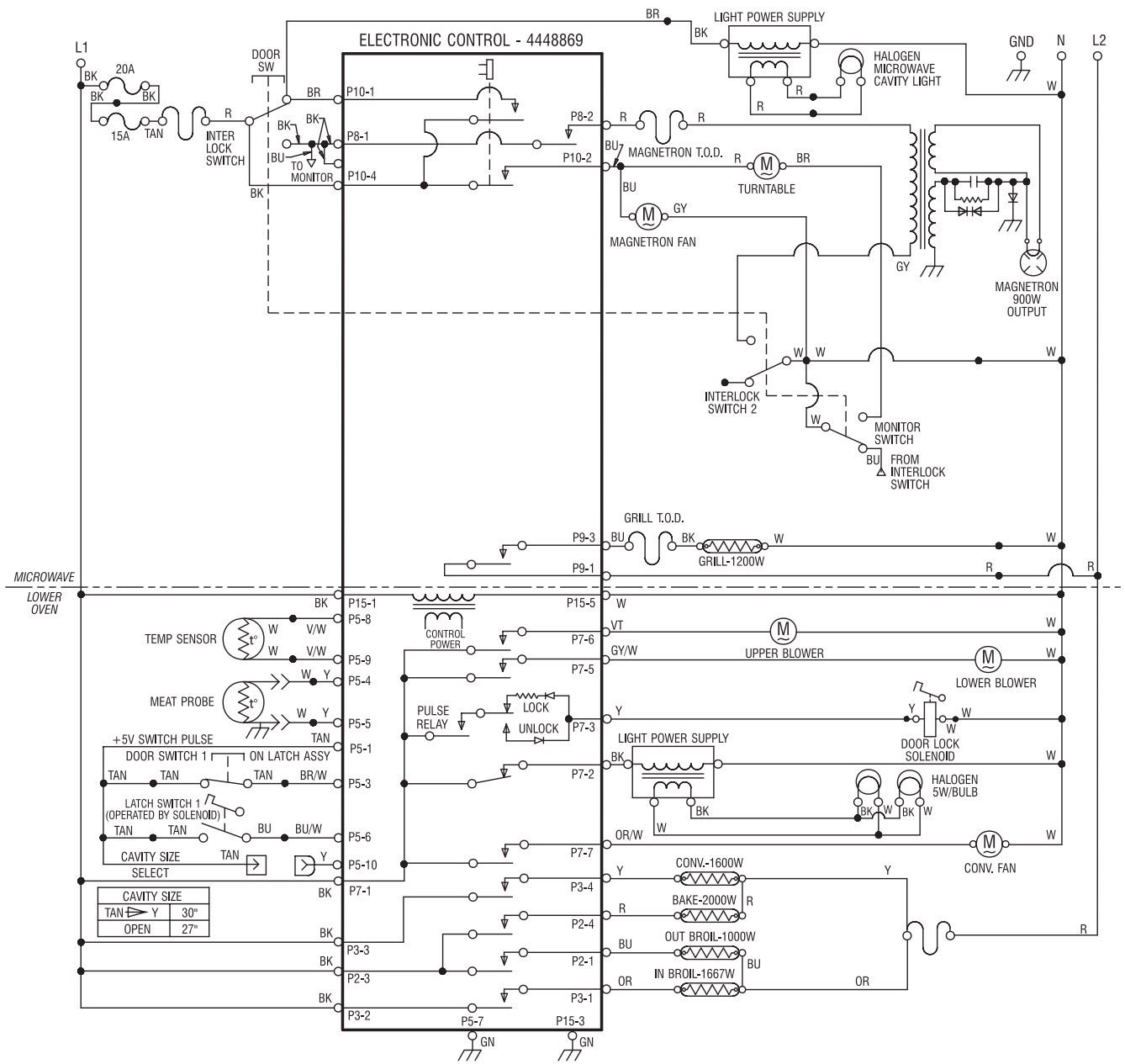




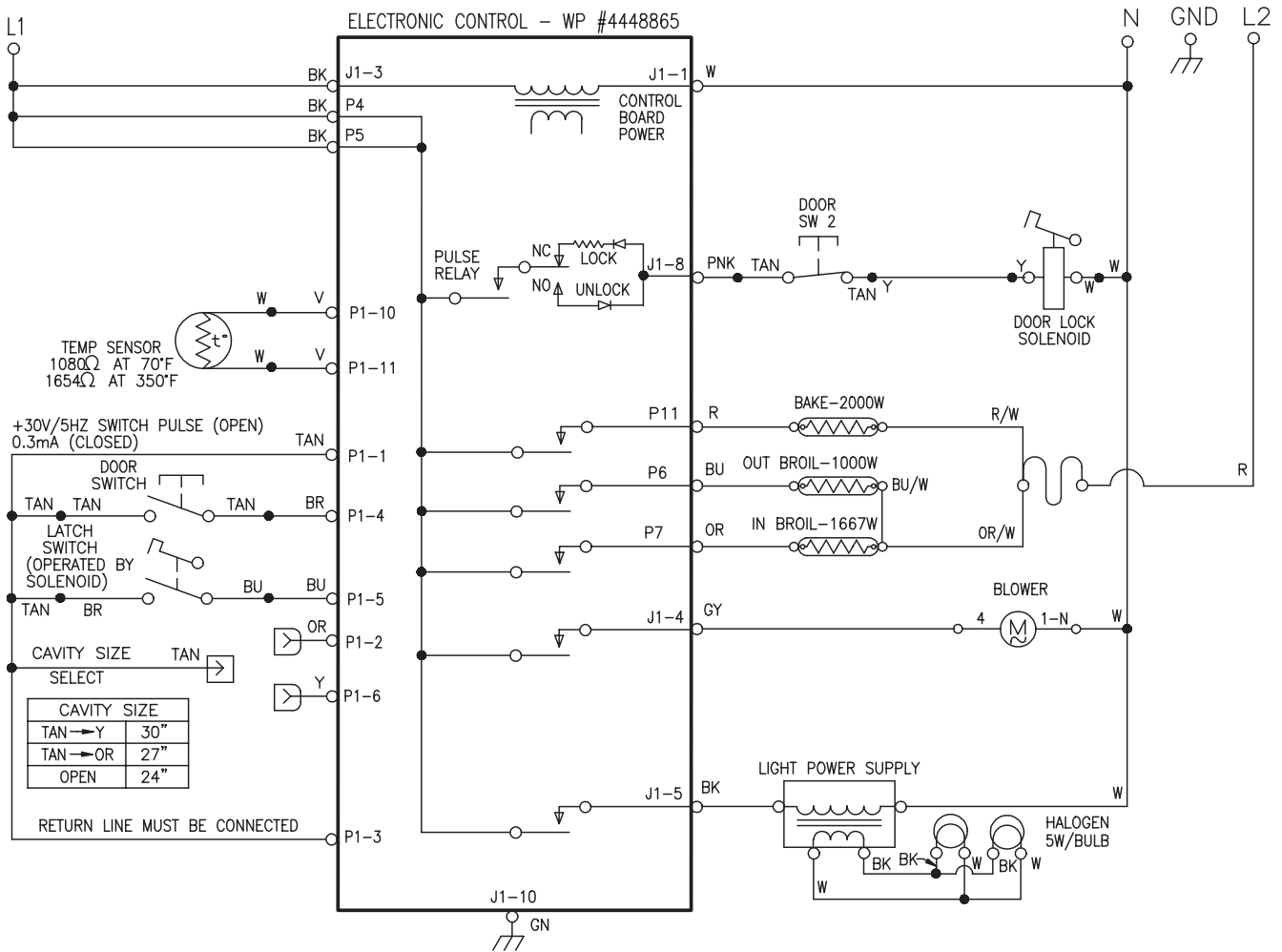
### Tech Sheet #4452025



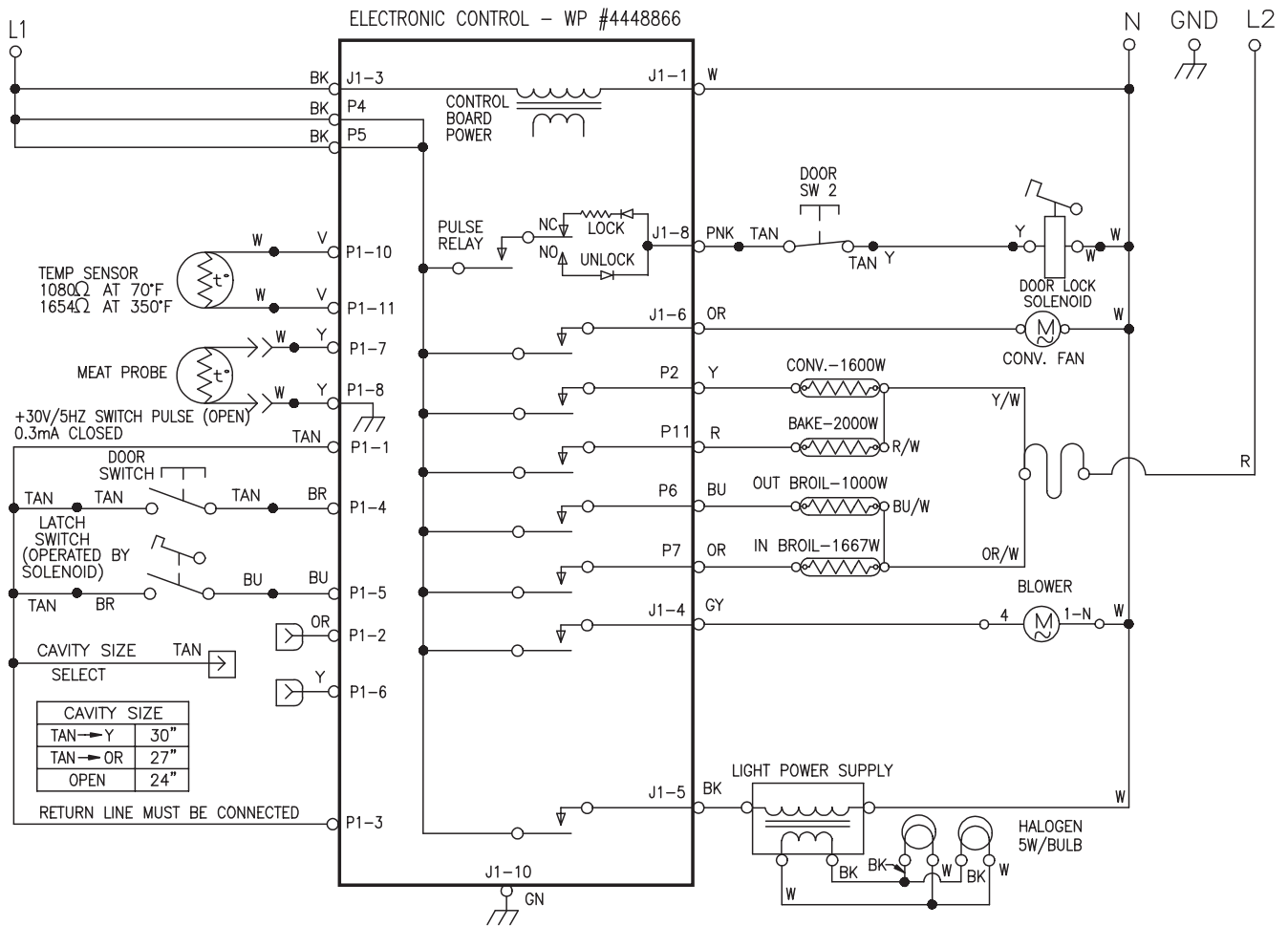
## Tech Sheet #4452026



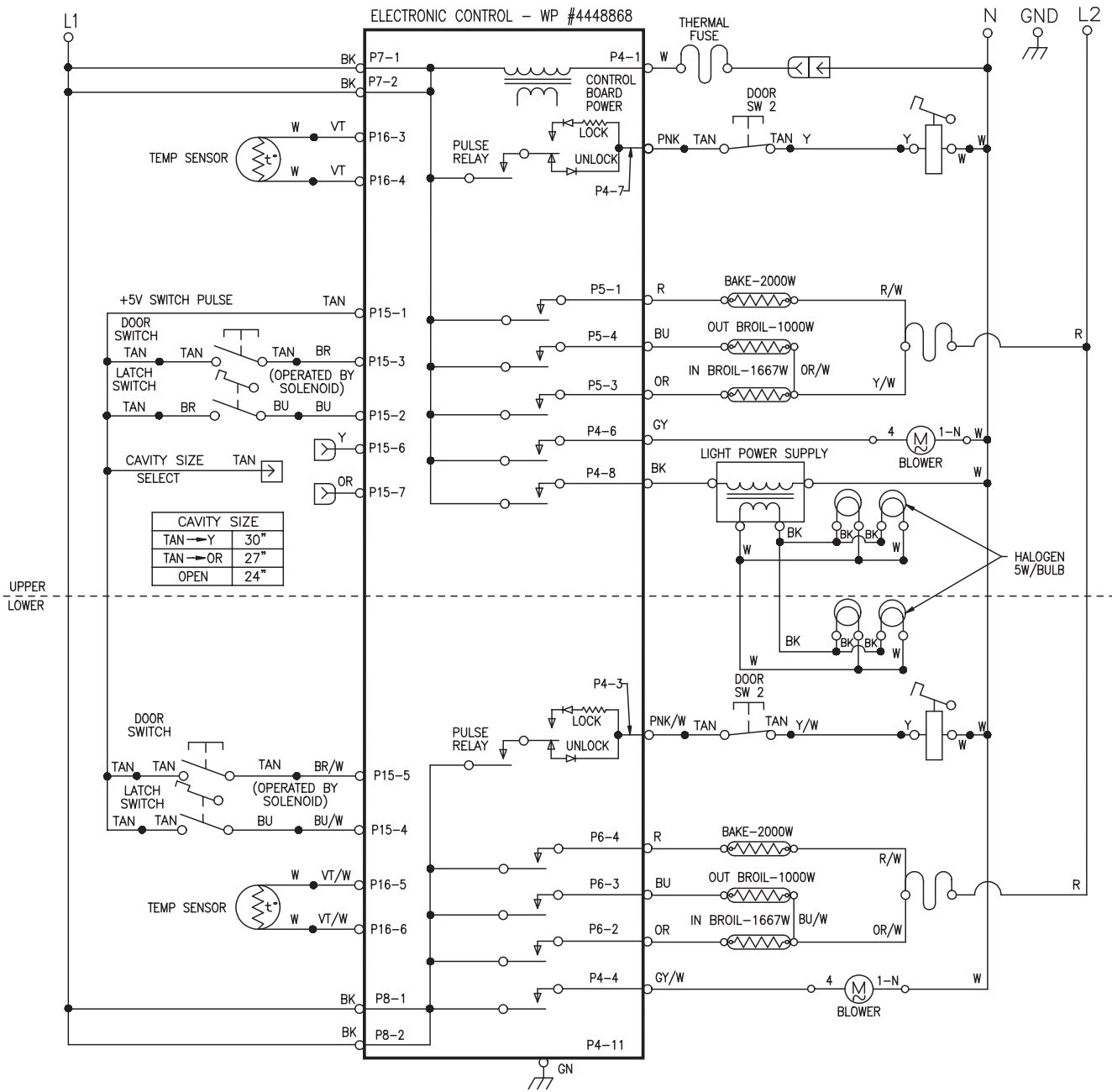
### Tech Sheet #4452028



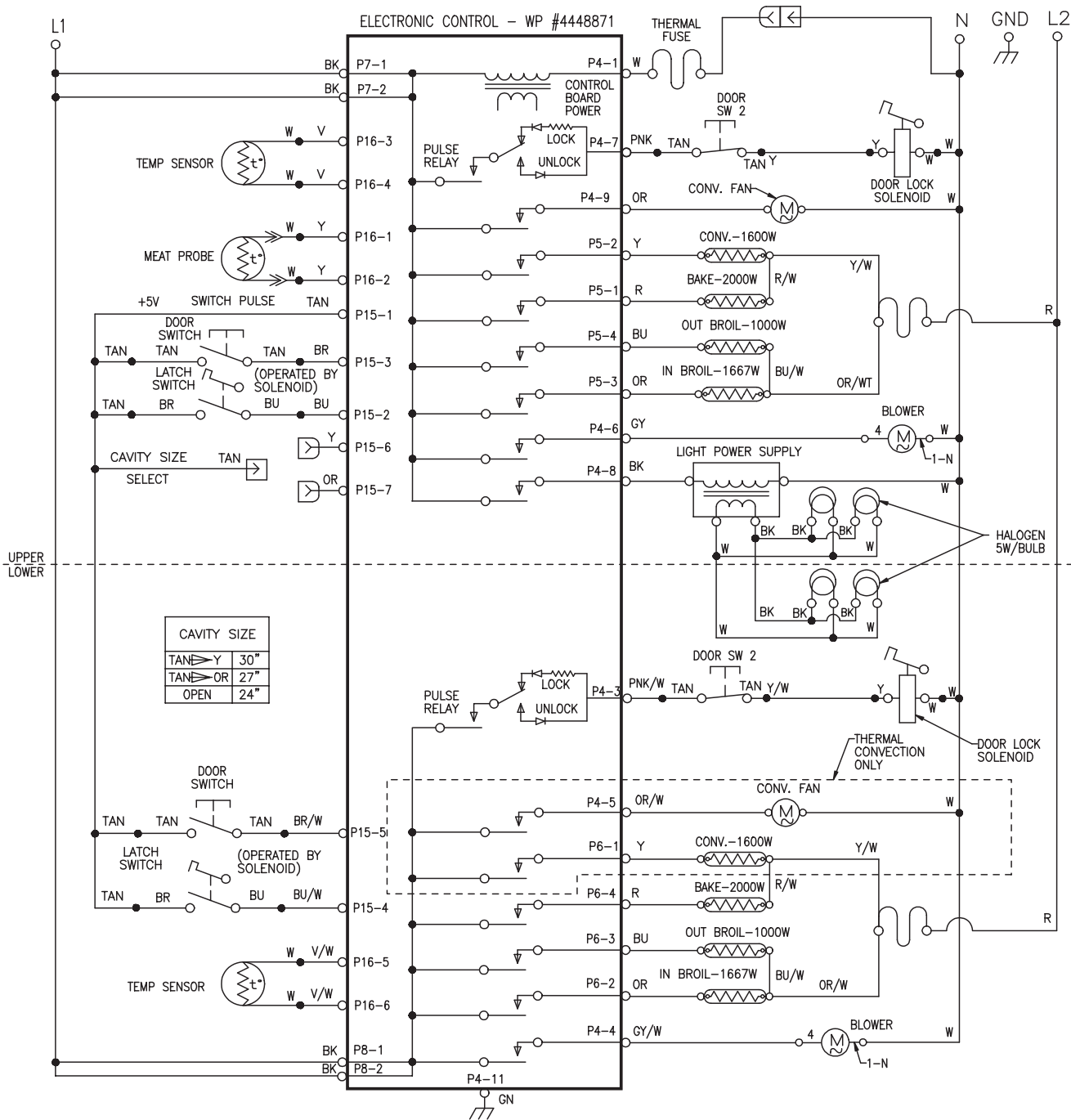
## Tech Sheet #4454768



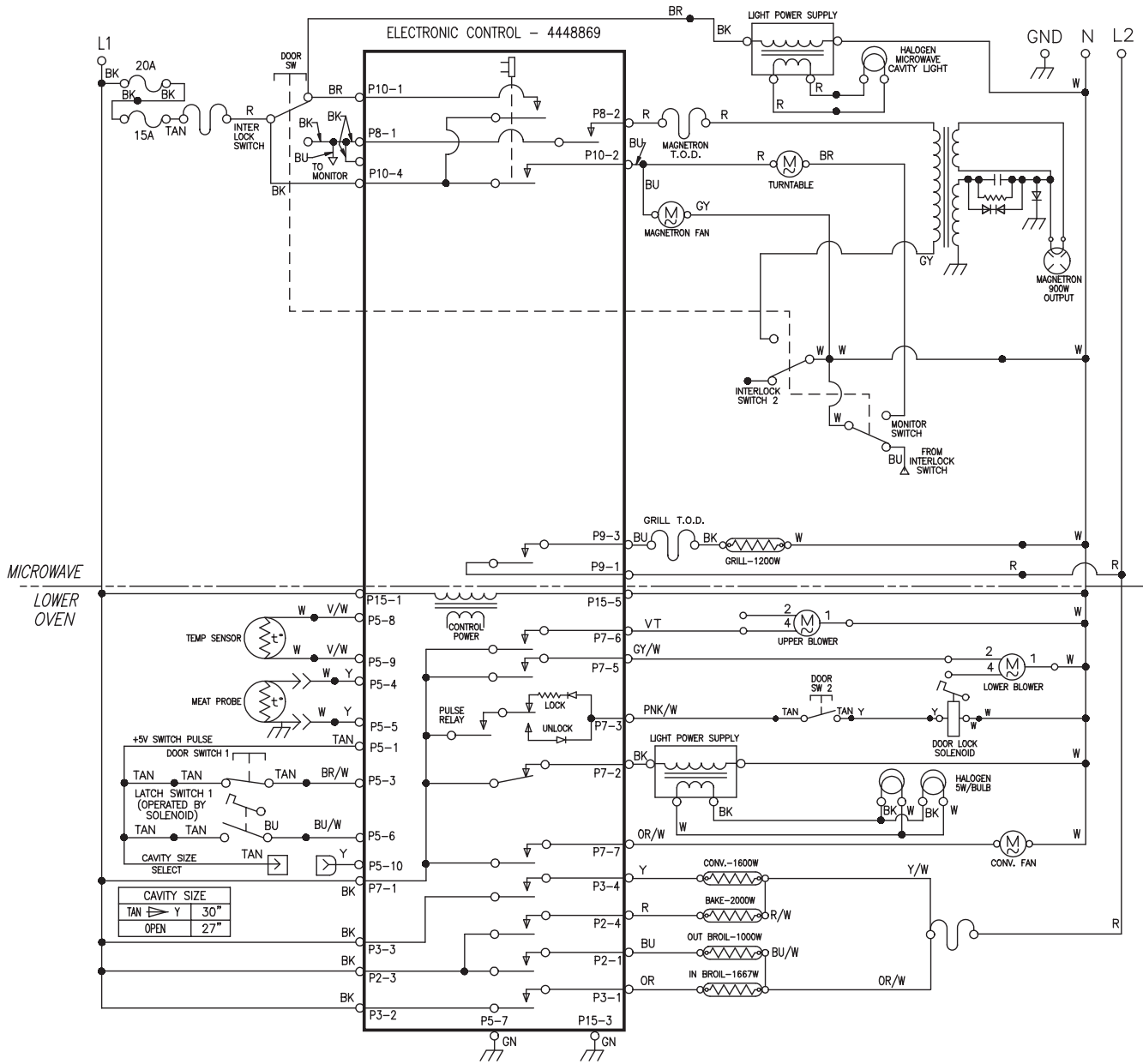
## Tech Sheet #4454769



## Tech Sheet #4454770



## Tech Sheet #4454771



## Tech Sheet #4454773



## Free Manuals Download Website

<http://myh66.com>

<http://usermanuals.us>

<http://www.somanuals.com>

<http://www.4manuals.cc>

<http://www.manual-lib.com>

<http://www.404manual.com>

<http://www.luxmanual.com>

<http://aubethermostatmanual.com>

Golf course search by state

<http://golfingnear.com>

Email search by domain

<http://emailbydomain.com>

Auto manuals search

<http://auto.somanuals.com>

TV manuals search

<http://tv.somanuals.com>