

KitchenAid®

BOTTOM-MOUNT REFRIGERATOR

Use & Care Guide

For questions about features, operation/performance, parts accessories or service, call: **1-800-422-1230**
In Canada, call for assistance **1-800-461-5681**, for installation and service, call: **1-800-807-6777** or visit our website at...
www.kitchenaid.com or www.KitchenAid.ca

RÉFRIGÉRATEUR SUPERPOSÉ

Guide d'utilisation et d'entretien

Au Canada, pour assistance composez le **1-800-461-5681**, pour installation ou service composez le **1-800-807-6777** ou visitez notre site web à...
www.KitchenAid.ca

Table of Contents/Table des matières..... 2

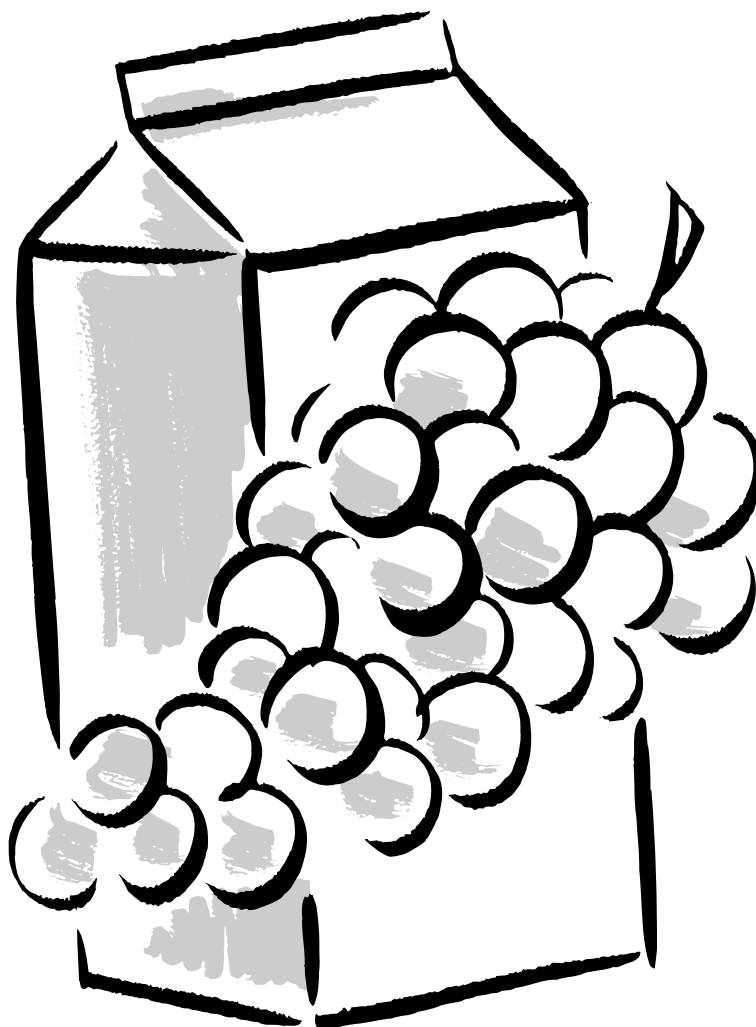


TABLE OF CONTENTS

REFRIGERATOR SAFETY	3
Proper Disposal of Your Old Refrigerator.....	3
REFRIGERATOR INSTALLATION	4
Unpacking.....	4
Location Requirements.....	4
Electrical Requirements.....	5
Water Supply Connection.....	5
Base Grille.....	6
Refrigerator Doors.....	6
Door Closing and Alignment.....	9
Normal Sounds.....	9
REFRIGERATOR USE	9
Ensuring Proper Air Circulation.....	9
Setting the Controls.....	10
Adjusting Control Settings.....	10
Ice Maker.....	10
REFRIGERATOR FEATURES	11
Refrigerator Shelves.....	11
Meat Drawer and Cover.....	11
Crisper and Crisper Cover.....	11
Crisper Humidity Control.....	12
Utility or Egg Bin.....	12
FREEZER FEATURES	12
Freezer Baskets.....	12
Ice Shelf.....	13
DOOR FEATURES	13
Door Retainer.....	13
Door Bins.....	13
Utility Compartment.....	13
REFRIGERATOR CARE	14
Cleaning.....	14
Changing the Light Bulb.....	14
Power Interruptions.....	15
Vacation and Moving Care.....	15
TROUBLESHOOTING	16
ASSISTANCE OR SERVICE	18
In the U.S.A.....	18
In Canada.....	18
Accessories.....	18
WARRANTY	19

TABLE DES MATIÈRES

SÉCURITÉ DU RÉFRIGÉRATEUR	20
Mise au rebut de votre vieux réfrigérateur.....	20
INSTALLATION DU RÉFRIGÉRATEUR	21
Déballage.....	21
Emplacement d'installation.....	21
Spécifications électriques.....	22
Raccordement de la canalisation d'eau.....	22
Grille de la base.....	24
Portes du réfrigérateur.....	24
Fermeture et alignement des portes.....	27
Sons normaux.....	27
UTILISATION DU RÉFRIGÉRATEUR	28
Pour s'assurer d'une circulation d'air appropriée.....	28
Réglage des commandes.....	28
Ajustement des réglages de commande.....	29
Machine à glaçons.....	29
CARACTÉRISTIQUES DU RÉFRIGÉRATEUR	30
Tablettes du réfrigérateur.....	30
Tiroir à viande et couvercle.....	30
Bac à légumes et couvercle.....	31
Réglage de l'humidité dans le bac à légumes.....	31
Casier utilitaire ou oeufrier.....	31
CARACTÉRISTIQUES DU CONGÉLATEUR	32
Paniers de congélateur.....	32
Tablette à glaçons.....	32
CARACTÉRISTIQUES DE LA PORTE	32
Dispositif de retenue de la porte.....	32
Balconnets dans la porte.....	33
Compartiment utilitaire.....	33
ENTRETIEN DU RÉFRIGÉRATEUR	33
Nettoyage.....	33
Remplacement de l'ampoule d'éclairage.....	34
Pannes de courant.....	35
Entretien avant les vacances ou lors d'un déménagement.....	35
DÉPANNAGE	36
ASSISTANCE OU SERVICE	38
Accessoires.....	38
GARANTIE	39

REFRIGERATOR SAFETY

Your safety and the safety of others are very important.

We have provided many important safety messages in this manual and on your appliance. Always read and obey all safety messages.



This is the safety alert symbol.

This symbol alerts you to potential hazards that can kill or hurt you and others.

All safety messages will follow the safety alert symbol and either the word "DANGER" or "WARNING." These words mean:

! DANGER

You can be killed or seriously injured if you don't immediately follow instructions.

! WARNING

You can be killed or seriously injured if you don't follow instructions.

All safety messages will tell you what the potential hazard is, tell you how to reduce the chance of injury, and tell you what can happen if the instructions are not followed.

IMPORTANT SAFETY INSTRUCTIONS

WARNING: To reduce the risk of fire, electric shock, or injury when using your refrigerator, follow these basic precautions:

- Plug into a grounded 3 prong outlet.
- Do not remove ground prong.
- Do not use an adapter.
- Do not use an extension cord.
- Disconnect power before servicing.
- Replace all panels before operating.
- Remove doors from your old refrigerator.
- Use nonflammable cleaner.
- Keep flammable materials and vapors, such as gasoline, away from refrigerator.
- Use two or more people to move and install refrigerator.
- Disconnect power before installing ice maker (on ice maker kit ready models only).
- Use a sturdy glass when dispensing ice or water (on some models).

SAVE THESE INSTRUCTIONS

Proper Disposal of Your Old Refrigerator

! WARNING

Suffocation Hazard

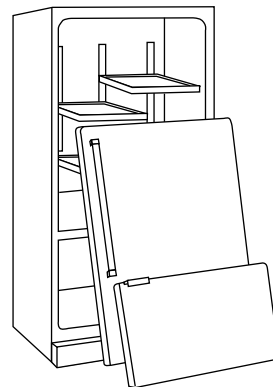
Remove doors from your old refrigerator.

Failure to do so can result in death or brain damage.

IMPORTANT: Child entrapment and suffocation are not problems of the past. Junked or abandoned refrigerators are still dangerous – even if they will sit for "just a few days." If you are getting rid of your old refrigerator, please follow these instructions to help prevent accidents.

Before you throw away your old refrigerator or freezer:

- Take off the doors.
- Leave the shelves in place so that children may not easily climb inside.



REFRIGERATOR INSTALLATION

Unpacking

⚠ WARNING

Excessive Weight Hazard

Use two or more people to move and install refrigerator.

Failure to do so can result in back or other injury.

Removing packaging materials

- Remove tape and glue residue from surfaces before turning on the refrigerator. Rub a small amount of liquid dish soap over the adhesive with your fingers. Wipe with warm water and dry.
- Do not use sharp instruments, rubbing alcohol, flammable fluids, or abrasive cleaners to remove tape or glue. These products can damage the surface of your refrigerator. For more information, see the "Refrigerator Safety" section.
- On some models, shelves, bins, door shelf rails, and other feature parts may be packaged in the Interior FeaturePak. Follow the instructions contained in the package for proper assembly.
- Depending on your model, to remove the protective (transparent) film that is on the nameplate, which is located on the freezer handle, use your fingernail and peel off the film, starting from one side and peeling to the other.

IMPORTANT: Do not remove the white foam air return insert that is located behind the control panel on the ceiling of the refrigerator (on some models). The insert is part of the refrigerator and not part of the packing material. If the insert is removed, ice may migrate down from the freezer and cause icicles to form.

When Moving Your Refrigerator:

Your refrigerator is heavy. When moving the refrigerator for cleaning or service, be sure to protect the floor. Always pull the refrigerator straight out when moving it. Do not wiggle or "walk" the refrigerator when trying to move it, as floor damage could occur.

Cleaning before use

After you remove all of the package materials, clean the inside of your refrigerator before using it. See the cleaning instructions in the "Refrigerator Care" section.

Important information to know about glass shelves and covers:

Do not clean glass shelves or covers with warm water when they are cold. Shelves and covers may break if exposed to sudden temperature changes or impact, such as bumping. For your protection, tempered glass is designed to shatter into many small, pebble-size pieces. This is normal. Glass shelves and covers are heavy. Use special care when removing them to avoid impact from dropping.

Location Requirements

⚠ WARNING

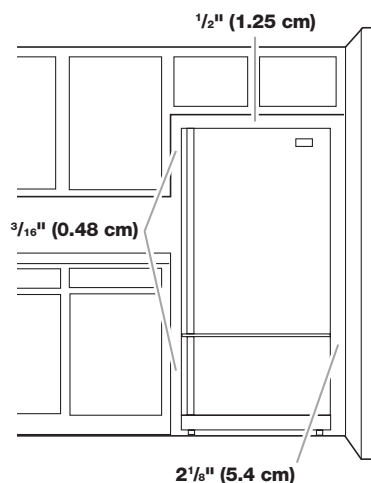


Explosion Hazard

Keep flammable materials and vapors, such as gasoline, away from refrigerator.

Failure to do so can result in death, explosion, or fire.

- To ensure proper ventilation for your refrigerator, allow ½ in. (1.25 cm) space at the top and back and ¾ in. (0.48 cm) on each side of the refrigerator for ease of installation.
- If you are installing your refrigerator next to a fixed wall, leave 2 ⅞ in. (5.4 cm) minimum on each side (depending on your model) to allow for the door to swing open.



- If your refrigerator has an ice maker, make sure you leave some extra space at the back for the water line connections.

NOTE: Do not install the refrigerator near an oven, radiator, or other heat source, nor in a location where the temperature will fall below 55°F (13°C).

Electrical Requirements

⚠ WARNING



Electrical Shock Hazard

Plug into a grounded 3 prong outlet.

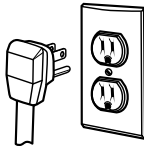
Do not remove ground prong.

Do not use an adapter.

Do not use an extension cord.

Failure to follow these instructions can result in death, fire, or electrical shock.

Before you move your refrigerator into its final location, it is important to make sure you have the proper electrical connection:



Recommended grounding method

A 115 Volt, 60 Hz., AC only 15 or 20 ampere fused, grounded electrical supply is required. It is recommended that a separate circuit serving only your refrigerator be provided. Use an outlet that cannot be turned off by a switch. Do not use an extension cord.

NOTE: Before performing any type of installation, cleaning, or removing a light bulb, turn the control (Thermostat, Refrigerator or Freezer Control depending on the model) to OFF and then disconnect the refrigerator from the electrical source. When you are finished, reconnect the refrigerator to the electrical source and reset the control (Thermostat, Refrigerator or Freezer Control depending on the model) to the desired setting.

Water Supply Connection (For Automatic Ice Maker - Accessory)

Read all directions carefully before you begin.

IMPORTANT:

- If operating the refrigerator before installing the water connection, turn ice maker to the OFF position (arm up) to prevent operation without water.
- All installations must be in accordance with local plumbing code requirements.
- Use copper tubing and check for leaks.
- Install copper tubing only in areas where temperatures will remain above freezing.
- It may take up to 24 hours for your ice maker to begin producing ice.

Tools required:

- Flat-blade screwdriver
- Center punch
- ½ in. open-end wrench or adjustable wrench
- Bucket
- ¼ in. and ⅝ in. drill bit
- Towel
- Hand drill or electric drill (properly grounded)
- Gloves
- Hammer

NOTE: Your refrigerator dealer has a kit available with a ¼ in. (6.35 mm) saddle-type shutoff valve, a union, and copper tubing. Before purchasing, make sure a saddle-type valve complies with your local plumbing codes. Do not use a piercing-type or ⅜ in. (4.76 mm) saddle valve which reduces water flow and clogs more easily.

Cold Water Supply

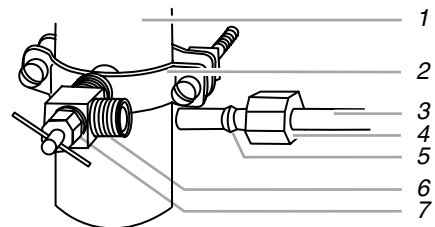
The ice maker water valve contains a flow washer which is used as a water pressure regulator. The ice maker needs to be connected to a cold water line with water pressure between 20 and 120 psi (140-827 kPa). If a problem occurs, call your utility company.

Connecting to Water Line

1. Unplug refrigerator or disconnect power.
2. Turn OFF main water supply. Turn ON nearest faucet long enough to clear line of water.
3. Find a ½ in. to ¾ in. (12.7 mm to 3.18 mm) vertical COLD water pipe near the refrigerator.

NOTE: Horizontal pipe will work, but the following procedure must be followed: Drill on the top side of the pipe, not the bottom. This will help keep water away from the drill. This also keeps normal sediment from collecting in the valve.

4. To determine the length of copper tubing you will need, measure from connection on lower left rear of refrigerator to water pipe. Add 7 ft. (2.1 m) to allow for moving refrigerator for cleaning. Use ¼ in. (6.35 mm) O.D. (outside diameter) copper tubing. Be sure both ends of copper tubing are cut square.
5. Use a hammer and center punch to mark drilling location on water pipe. Using a grounded drill, drill a ¼ in. hole in the cold water pipe you have selected.



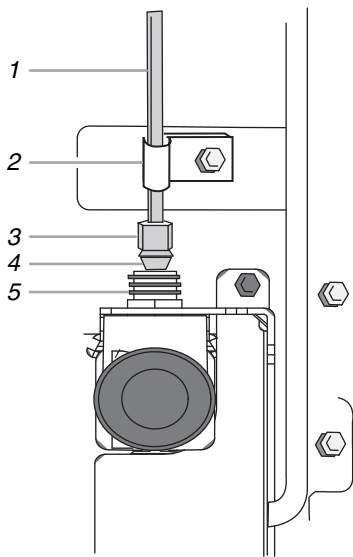
- | | |
|--------------------|-----------------------|
| 1. Cold Water Pipe | 5. Compression Sleeve |
| 2. Pipe Clamp | 6. Shutoff Valve |
| 3. Copper Tubing | 7. Packing Nut |
| 4. Compression Nut | |

6. Fasten shutoff valve to cold water pipe with pipe clamp. Be sure outlet end is solidly in the ¼ in. drilled hole in the water pipe and that rubber washer is under the pipe clamp. Tighten packing nut. Tighten the pipe clamp screws carefully and evenly so rubber washer makes a watertight seal. Do not overtighten or you may crush the copper tubing, especially if soft (coiled) copper tubing is used. Now you are ready to connect the copper tubing.

- Slip compression sleeve and compression nut on copper tubing as shown. Insert end of tubing into outlet end squarely as far as it will go. Screw compression nut onto outlet end with adjustable wrench. Do not overtighten.
- Place the free end of the tubing into a bucket or sink. Turn ON main water supply and flush out tubing until water is clear. Turn OFF shutoff valve on the water pipe. Check for leaks. Coil copper tubing.

Connecting to Refrigerator

- Remove plastic cap from water valve inlet port. Attach the copper tube to the valve inlet using a compression nut and sleeve as shown. Tighten the compression nut. Do not overtighten. Confirm copper tubing is secure by pulling on copper tubing.
- Create a service loop using extreme care to avoid kinks. Secure copper tubing to refrigerator cabinet with a "P" clamp.



- Copper Tubing
- "P" Clamp
- Compression Nut
- Compression Sleeve
- Water Valve Inlet Port

- Turn on water supply to refrigerator and check for leaks. Correct any leaks.
- Plug in refrigerator or reconnect power.
- Push refrigerator into opening.

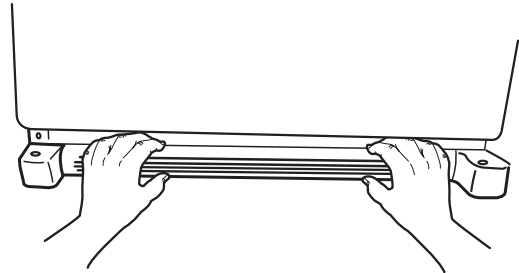
Base Grille

Removing the base grille

- Grasp the grille with both hands.
- Pull up on the bottom and tilt it toward you.
- Pull down to release the top of the grille.

Replacing the base grille

- See markings on inside of base grille for proper placement.
- Snap the top of the grille into place first.
- Press down and in on the bottom of the grille until it snaps into place.



Refrigerator Doors

Handle Removal

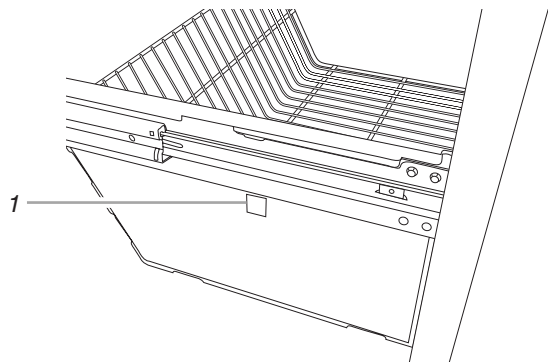
(Graphics are included later in this section.)

- Using a $\frac{3}{32}$ in. Allen wrench, loosen the 2 set screws located on the side of each handle.
- Pull handle straight out from the door. Make sure you keep screws for reattaching handles.

Freezer Drawer Removal

(Graphics are included later in this section.)

- Open freezer drawer to full extension.
- Remove all articles from baskets.
- Slide top wire basket out to full extension and lift out to remove.
- Remove the bottom wire basket by pressing the release button on each side and lifting the basket from the rail guides.



- Release button

- Remove the Phillips screw (on some models) from each side of drawer rail assembly (see Graphic 6-1).

NOTE: Do not remove hex-head screws from rail assembly.

- Lift front handle of freezer drawer to disengage drawer rail hooks from interior rail assembly. Lift drawer out.

Freezer Drawer Replacement

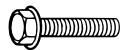
IMPORTANT: Two individuals may be required to complete this procedure.

- Extend both interior rail assemblies to full length on each side of cabinet.
- Locate notches in both interior rail extensions (see Graphic 6-2).
- Align tabs on outside edge of drawer rail assemblies with notches in both rail extensions.
- Insert tabs into notches (see Graphic 6-3).
- Replace the Phillips screws (on some models) on both rail extensions (see Graphic 6-1).
- Replace bottom basket by placing basket into rail guides.
- Slide top basket into upper compartment.

Door and Hinge Removal

IMPORTANT:

- Before you begin, turn the refrigerator control OFF, unplug refrigerator or disconnect power. Remove food and any adjustable door or utility bins from doors.
- All graphics referenced in the following instructions are included later in this section after "Final Steps."



5/16" Hex-Head Top Hinge Screw

Tools Needed: 5/16 in., 3/8 in., 1/4 in. hex-head socket wrench, No. 2 Phillips screwdriver, and a flat-head screwdriver.

- Keep the refrigerator door closed until you are ready to lift it free from the cabinet.

NOTE: Provide additional support for the refrigerator door while the hinges are being moved. Do not depend on the door gasket magnets to hold the door in place while you are working.

- Remove the parts for the top hinge as shown in Top Hinge graphic. Lift the refrigerator door free from the cabinet.
- Remove the parts for the bottom hinge as shown in the Bottom Hinge graphic.

Door Reversal (on some models)

IMPORTANT:

- Stainless steel refrigerator doors are not reversible.
- If you want to reverse your non-stainless steel doors so they open from the opposite side, follow these steps. If you are not reversing the doors, see "Door and Hinge Replacement."



Door Stop Screw



Door Handle Seal Screw Front



Flat-Head Handle Screw



Cabinet Hinge Hole Plug

Cabinet

- Remove hinge screws from handle side and move them to opposite side (see Graphic 1-1).
- Remove cabinet hinge hole plugs from cabinet top with flat blade screwdriver tip wrapped in masking tape and move them to opposite side hinge holes as shown (see Graphic 1-2).

Refrigerator door

- Remove refrigerator handle assembly including the mounting posts and screws. Keep all parts together (see Graphic 2).
- Remove door handle seal screw front. Move to opposite side of refrigerator door as shown (see Graphic 5).
- Remove door stop from bottom edge of refrigerator door. Move to opposite side of refrigerator door as shown (see Graphic 3).
- Attach door handle mounting posts to opposite side of the door.
- Position refrigerator handle over mounting posts as shown (see Graphic 2). Drive two set screws in sides of handle.
- Tighten all screws. Set aside door until hinges and freezer compartment door are in place.

Door and Hinge Replacement

NOTE: Graphic may be reversed if door swing is reversed.

- Replace the parts for the bottom hinge as shown. Tighten screws. Replace the refrigerator door.

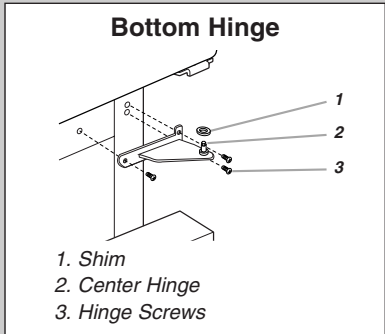
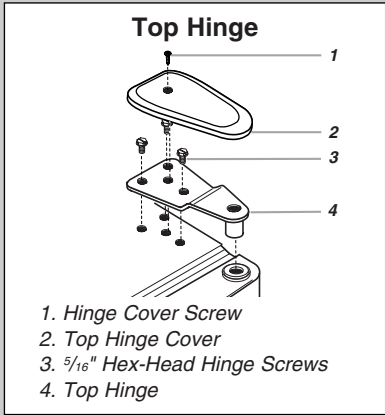
NOTE: Provide additional support for the refrigerator door while the hinges are being moved. Do not depend on the door gasket magnets to hold the door in place while you are working.

- Assemble the parts for the top hinge as shown (see Top Hinge graphic). Do not tighten screws completely.
- Line up the door so that the bottom of the refrigerator door aligns evenly with the top of the freezer drawer. Tighten all screws.

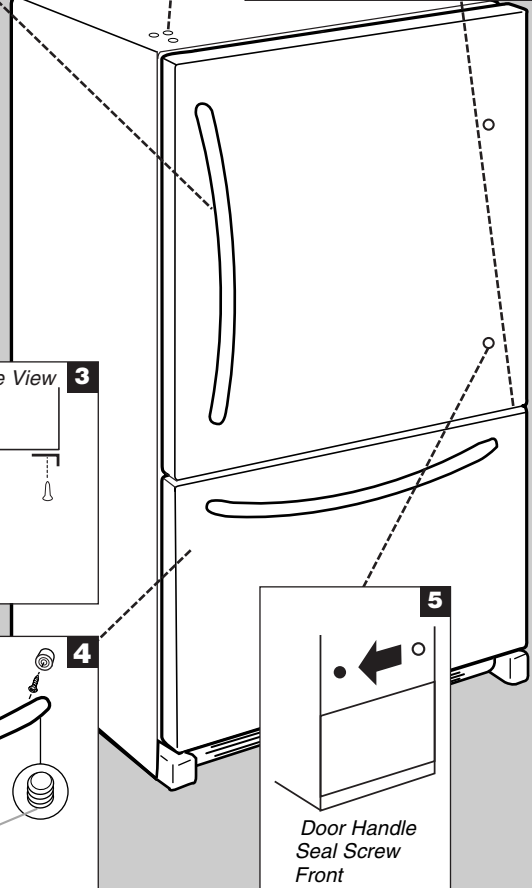
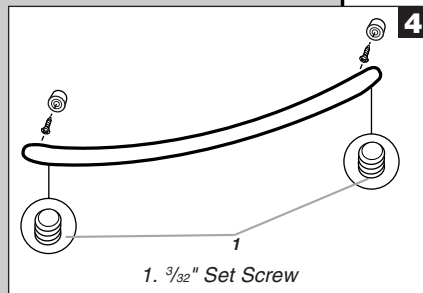
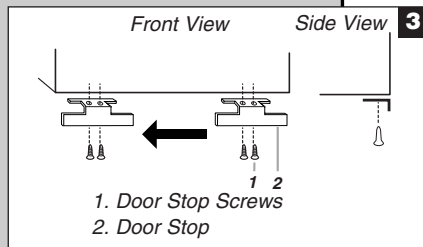
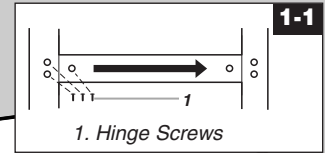
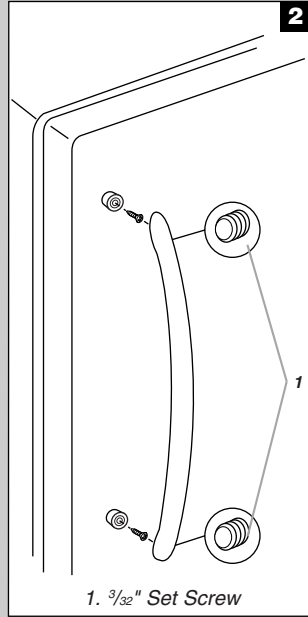
Final Steps

- Check all holes to make sure that hole plugs and screws are in place. Reinstall top hinge cover (see Top Hinge graphic).
- Plug in refrigerator or reconnect power.
- Reset the controls (see "Using the Controls" section).
- Return all removable door parts to doors and food to product.

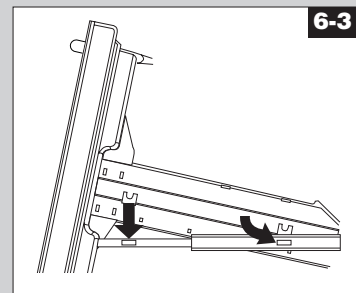
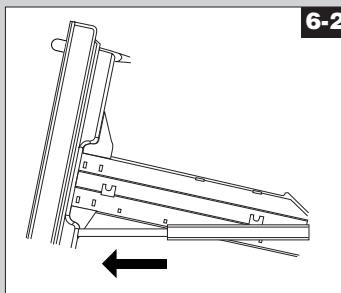
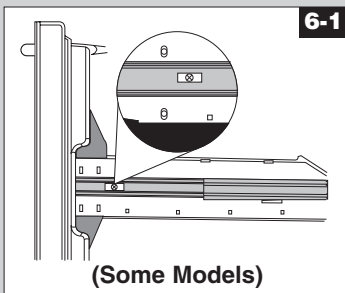
Door Removal & Replacement



Door Swing Reversal (optional)



Drawer Removal & Replacement



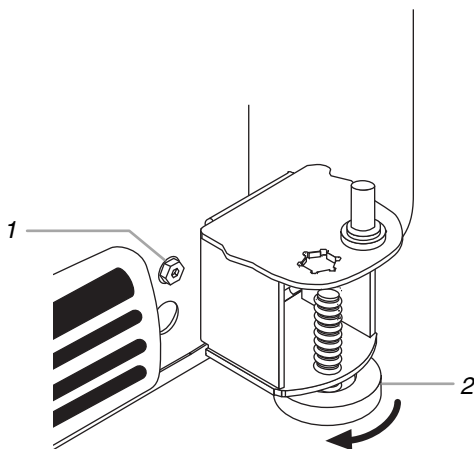
Door Closing and Alignment

Door Closing

Your refrigerator has two front adjustable rollers which are at the base of the refrigerator on either side. If your refrigerator seems unsteady or you want the doors to close easier, adjust the refrigerator's tilt using the instructions below:

1. Plug into a grounded 3 prong outlet.
2. Move the refrigerator into its final position.
3. Remove the base grille and the bottom hinge covers (see "Base Grille" section). The two roller adjustment screws are part of the front roller assemblies.
4. Use a screwdriver or $\frac{3}{8}$ in. hex driver to adjust the roller adjustment screws. Turn the roller adjustment screw to the right to raise that side of the refrigerator or turn the roller adjustment screw to the left to lower that side. It may take several turns of the roller adjustment screws to adjust the tilt of the refrigerator.

NOTE: Having someone push against the top of the refrigerator takes some weight off the roller adjustment screws and rollers. This makes it easier to adjust the screws.



1. Roller Adjustment Screw
2. Stabilizing Foot

5. Open both doors again and check to make sure that they close as easily as you like. If not, tilt the refrigerator slightly more to the rear by turning both roller adjustment screws to the right. It may take several more turns, and you should turn both roller adjustment screws the same amount.
6. Lower the stabilizing foot by turning it clockwise until it is firmly against floor.
NOTE: Drawer freezer models have a stabilizing foot on each side which must be lowered by turning clockwise.
7. Replace the base grille.

Normal Sounds

Your new refrigerator may make sounds that your old one didn't make. Because the sounds are new to you, you might be concerned about them. Most of the new sounds are normal. Hard surfaces, such as the floor, walls, and cabinets, can make the sounds seem louder. The following describes the kinds of sounds and what may be making them.

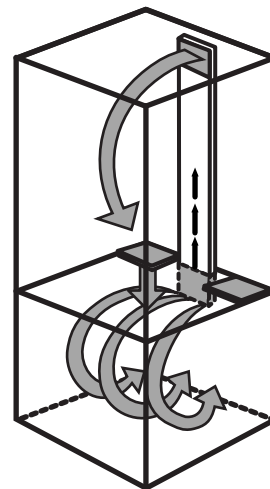
- If your product is equipped with an ice maker, you will hear a buzzing sound when the water valve opens to fill the ice maker for each cycle.

- Your refrigerator is designed to run more efficiently to keep your food items at the desired temperatures and to minimize energy usage. The high efficiency compressor and fans may cause your refrigerator to run longer than your old one. You may also hear a pulsating or high-pitched sound from the compressor or fans adjusting to optimize performance.
- You may hear the evaporator fan motor circulating air through the refrigerator and freezer compartments. The fan speed may increase as you open the doors or add warm food.
- Rattling noises may come from the flow of refrigerant, the water line, or items stored on top of the refrigerator.
- Water dripping on the defrost heater during a defrost cycle may cause a sizzling sound.
- As each cycle ends, you may hear a gurgling sound due to the refrigerant flowing in your refrigerator.
- Contraction and expansion of the inside walls may cause a popping noise.
- You may hear air being forced over the condenser by the condenser fan.
- You may hear water running into the drain pan during the defrost cycle.

REFRIGERATOR USE

Ensuring Proper Air Circulation

In order to ensure proper temperatures, you need to permit airflow between the refrigerator and freezer sections. As shown in the illustration, cool air enters the freezer section through vents in the rear and top. The air flows forward through the freezer section and recirculates under the freezer floor. Cool air enters the refrigerator section through the top, flows down and across shelves to the doors and recirculates to return air vents at the bottom.



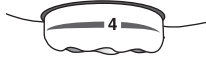
Do not block any of these vents with food packages. If the vents are blocked, airflow will be prevented and temperature and moisture problems may occur.

IMPORTANT: Because air circulates between both sections, any odors formed in one section will transfer to the other. You must thoroughly clean both sections to eliminate odors. To prevent odor transfer and drying out of food, wrap or cover foods tightly.

Using the Controls

For your convenience, your refrigerator and freezer controls are preset at the factory. When you first install your refrigerator, make sure that the controls in the refrigerator and freezer compartments are still preset to the mid-settings as shown.

Mid-setting "4"



IMPORTANT:

- To turn your refrigerator off, turn the freezer control to the word OFF or until the word OFF appears. Neither compartment will cool when the freezer control is set to OFF.
- The refrigerator control adjusts the refrigerator compartment temperature. The freezer control adjusts the freezer compartment temperature. Settings to the left of the mid-setting make the temperature less cold. Settings to the right of the mid-setting make the temperature colder.
- Wait 24 hours before you put food into the refrigerator. If you add food before the refrigerator has cooled completely, your food may spoil.

NOTE: Adjusting the Refrigerator and Freezer Controls to a higher (colder) than recommended setting will not cool the compartments any faster.
- The preset settings should be correct for normal household use. The controls are set correctly when milk or juice is as cold as you like and when ice cream is firm.
- If the temperature is too warm or too cold in the refrigerator or freezer, first check the air vents to be sure they are not blocked before adjusting the controls.

Adjusting Control Settings

Give the refrigerator time to cool down completely before adding food. It is best to wait 24 hours before you put food into the refrigerator. The settings indicated in the previous section should be correct for normal household refrigerator usage. The controls are set correctly when milk or juice is as cold as you like and when ice cream is firm.

If you need to adjust temperatures in the refrigerator or freezer, use the settings listed in the chart below as a guide. Always remember to wait at least 24 hours between adjustments.

CONDITION/REASON:	RECOMMENDED ADJUSTMENT:
REFRIGERATOR too warm <ul style="list-style-type: none"> ■ Door opened often ■ Large amount of food added ■ Room temperature very warm 	Turn REFRIGERATOR Control to next higher number, wait 24 hours, then recheck
FREEZER too warm/ice not made fast enough <ul style="list-style-type: none"> ■ Door opened often ■ Large amount of food added ■ Very cold room temperature (can't cycle often enough) ■ Heavy ice usage 	Turn FREEZER Control to next higher number, wait 24 hours, then recheck

CONDITION/REASON:	RECOMMENDED ADJUSTMENT:
REFRIGERATOR too cold <ul style="list-style-type: none"> ■ Control not set correctly for your conditions 	Turn REFRIGERATOR Control to next lower number, wait 24 hours, then recheck
FREEZER too cold <ul style="list-style-type: none"> ■ Control not set correctly for your conditions 	Turn FREEZER Control to next lower number, wait 24 hours, then recheck

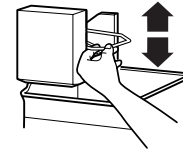
Ice Maker

Turning the Ice Maker On/Off

NOTE: Do not force the wire shutoff arm up or down.

- To turn the ice maker on, simply lower the wire shutoff arm.

NOTE: Your ice maker has an automatic shutoff. As ice is made, the ice cubes will fill the ice storage bin and the ice cubes will raise the wire shutoff arm to the OFF (arm up) position.
- To manually turn the ice maker off, lift the wire shutoff arm to the OFF (arm up) position and listen for the click to make sure the ice maker will not continue to operate.



Increasing Ice Production Rate

The ice maker should produce approximately 8 to 12 batches of ice in a 24-hour period. If ice is not being made fast enough, turn the Freezer Control toward a higher (colder) number in half number steps. (For example, if the control is at 3, move it to between 3 and 4.) Wait 24 hours and, if necessary, gradually turn the Freezer Control to the highest setting, waiting 24 hours between each increase.

REMEMBER:

- Allow 24 hours to produce the first batch of ice. Discard the first three batches of ice produced.
- The quality of your ice will be only as good as the quality of the water supplied to your ice maker. Avoid connecting the ice maker to a softened water supply. Water softener chemicals (such as salt) can damage parts of the ice maker and lead to poor quality ice. If a softened water supply cannot be avoided, make sure the water softener is operating properly and is well maintained.
- Do not store anything on top of the ice maker or in the ice storage bin.

REFRIGERATOR FEATURES

Your model may have some or all of these features. Features that can be purchased separately as product accessories are labeled with the word "Accessory." Not all accessories will fit all models. If you are interested in purchasing one of the accessories, please call the toll-free number on the cover or in the "Assistance or Service" section.

Important information to know about glass shelves and covers:

Do not clean glass shelves or covers with warm water when they are cold. Shelves and covers may break if exposed to sudden temperature changes or impact, such as bumping. For your protection, tempered glass is designed to shatter into many small, pebble-size pieces. This is normal. Glass shelves and covers are heavy. Use special care when removing them to avoid impact from dropping.

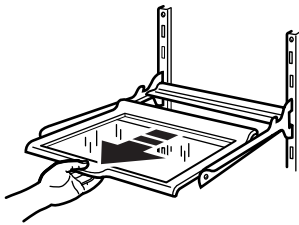
Refrigerator Shelves

The shelves in your refrigerator are adjustable to meet your individual storage needs. Your model may have glass or wire shelves.

Storing similar food items together in your refrigerator and adjusting the shelves to fit different heights of items will make finding the exact item you want easier. It will also reduce the amount of time the refrigerator door is open, and save energy.

Slide-out Shelves (on some models)

- To slide out shelf, carefully pull front of shelf toward you.
- To slide in shelf, push shelf in until it stops.



To remove and replace a shelf in a metal frame:

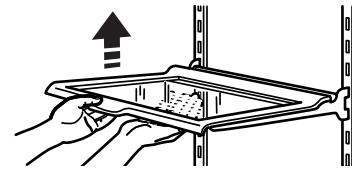
1. Pull the shelf forward to the stop.
2. Tilt the front of the shelf up and lift it slightly as you pull the shelf from the frame.
3. Replace the shelf by guiding it back into the slots on the frame and pushing the shelf in past the stop.

Shelves and Shelf Frames

To remove and replace a shelf/frame:

1. Remove the shelf/frame by tilting it up at the front and lifting it out of the shelf supports.
2. Replace the shelf/frame by guiding the rear shelf hooks into the shelf supports. Tilt the front of the shelf up until rear shelf hooks drop into the shelf supports.

3. Lower the front of the shelf and check to make sure that the shelf is securely in position.



Meat Drawer and Cover

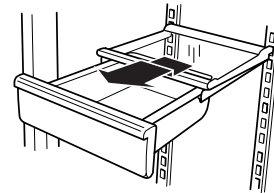
(on some models)

To remove and replace the meat drawer:

1. Remove the meat drawer by sliding it out to the stop. Lift the front of meat drawer with one hand while supporting the bottom of drawer with other hand. Slide drawer out the rest of the way.
2. Replace the meat drawer by guiding it into the meat cover supports and pushing it in until it stops.

To remove and replace the meat drawer cover:

1. Remove the meat drawer. Remove the cover by tilting up the front of the cover and lifting at the back. Pull the cover straight out.
2. Replace the cover by guiding the rear hooks into the shelf supports. Tilt the cover up at the front until the rear hooks drop into the slots.
3. Lower the front of the cover to a level position and replace the meat drawer.



Meat Storage Guide

Store most meat in original wrapping as long as it is airtight and moisture-proof. Rewrap if necessary. See the following chart for storage times. When storing meat longer than the times given, freeze the meat.

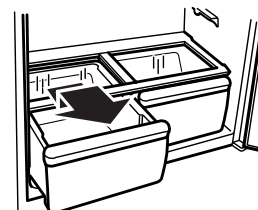
Fresh fish or shellfish.....use same day as purchased
Chicken, ground beef, variety meats (liver) 1-2 days
Cold cuts, steaks/roasts 3-5 days
Cured meats 7-10 days
Leftovers - Cover leftovers with plastic wrap, aluminum foil, or plastic containers with tight lids.

Crisper and Crisper Cover

(on some models - Accessory)

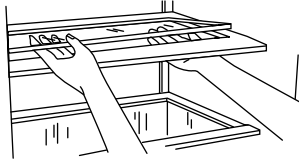
To remove and replace the crisper(s):

1. Slide crisper(s) straight out to the stop. Lift the front of the crisper(s) and slide out the rest of the way.
2. Replace the crisper(s) by sliding back in fully past the drawer stop.



To remove the crisper(s) cover:

1. Remove crisper(s).
2. Holding the glass insert firmly with one hand, press up in center of glass insert until it rises above the plastic frame. Carefully, slide the glass insert forward to remove.
3. Lift the cover frame up and remove it.



To replace crisper(s) cover:

NOTE: Before reinstalling the cover, make sure the U-shaped reinforcement bar is reinstalled in the front edge of the crisper cover.

1. Fit back of cover frame into supports on side walls of the refrigerator and lower the front of the cover frame into place.
2. Slide rear of glass insert into cover frame and lower front into place.

Crisper Humidity Control

(on some models)

You can control the amount of humidity in the moisture-sealed crisper. Adjust the control to any setting between LOW and HIGH.

LOW (open) lets moist air out of the crisper for best storage of fruits and vegetables with skins.

- Fruit: Wash, let dry and store in refrigerator in plastic bag or crisper. Do not wash or hull berries until they are ready to use. Sort and keep berries in original container in crisper, or store in a loosely closed paper bag on a refrigerator shelf.
- Vegetables with skins: Place in plastic bags or plastic container and store in crisper.

HIGH (closed) keeps moist air in the crisper for best storage of fresh, leafy vegetables.

- Leafy vegetables: Wash in cold water, drain and trim or tear off bruised and discolored areas. Place in plastic bag or plastic container and store in crisper.

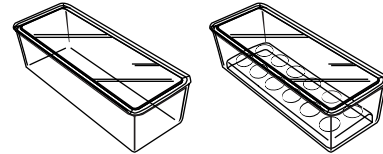


Utility or Egg Bin

(on some models - Accessory)

Depending on your model, you may have a one, two or three piece bin. Eggs may be stored in the egg tray or loose in the bin.

NOTE: Store eggs in a covered container for long-term storage. If your model does not have an egg storage bin, store eggs in their original carton on an interior shelf.



FREEZER FEATURES

Your model may have some or all of these features. Features that can be purchased separately as product accessories are labeled with the word "Accessory." Not all accessories will fit all models. If you are interested in purchasing one of the accessories, please call the toll-free number on the cover or in the "Assistance or Service" section.

Freezer Baskets

To Remove and Replace Wire Baskets :

Upper basket

1. Remove all items from basket. Remove basket by pulling basket out to its full extension and lift out.
2. Replace basket by sliding into upper molded railing. Make sure that rear of basket hooks behind rail catch.

Upper basket divider

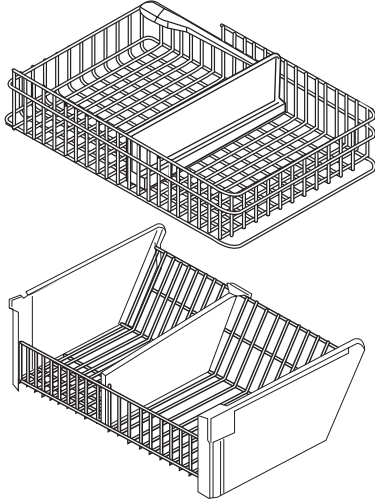
- The upper basket divider separates ice making from frozen food storage and it prevents ice from falling behind the basket assemblies.
- The upper basket divider is designed to be non-removable and should remain in the refrigerator

Lower basket

1. Remove all items from basket. Remove basket by lifting basket from rail guides.
2. Replace basket by placing into rail guides.

Lower basket divider

The lower basket divider is designed to be non-removable and it should remain in the refrigerator.

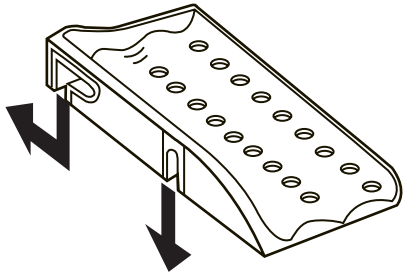


Ice Shelf

(on some models)

To install and remove ice shelf:

1. Slide rear L-shaped groove of shelf down over rear wall screw. Push rack back until screw is stopped in L-shaped groove.
2. Place front groove over front wall screw and push down until shelf is secured.
3. To remove, perform above steps in reverse order.



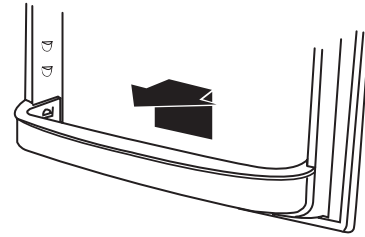
DOOR FEATURES

Your model may have some or all of these features. Features that can be purchased separately as product accessories are labeled with the word "Accessory." Not all accessories will fit all models. If you are interested in purchasing one of the accessories, please call the toll-free number on the cover or in the "Assistance or Service" section.

Door Retainer

To remove and replace the door retainer:

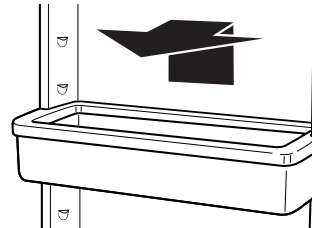
1. Remove the retainer by lifting it up and pulling it straight out.
2. Replace the retainer by sliding it in above the support and pushing it down until it stops.



Door Bins

To remove and replace the bins:

1. Remove the bin by lifting it up and pulling it straight out.
2. Replace the bin by sliding it in above the desired support and pushing it down until it stops.

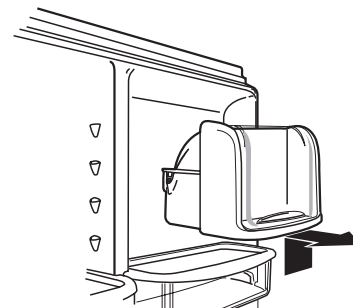


Utility Compartment

(on some models)

To remove and replace the utility compartment:

1. Remove the utility compartment by lifting it up and pulling it straight out.
2. Replace the utility compartment by sliding it in above the desired support and pushing it down until it stops.



REFRIGERATOR CARE

Cleaning

! WARNING



Explosion Hazard

Use nonflammable cleaner.

Failure to do so can result in death, explosion, or fire.

Both the refrigerator and freezer sections defrost automatically. However, clean both sections about once a month to prevent odors from building up. Wipe up spills immediately.

Cleaning your refrigerator

1. Unplug refrigerator or disconnect power.
2. Remove all removable parts from inside, such as shelves, crispers, etc.
3. Hand wash, rinse, and dry removable parts and interior surfaces thoroughly. Use a clean sponge or soft cloth and a mild detergent in warm water.
 - Do not use abrasive or harsh cleaners such as window sprays, scouring cleansers, flammable fluids, cleaning waxes, concentrated detergents, bleaches or cleansers containing petroleum products on plastic parts, interior and door liners or gaskets. Do not use paper towels, scouring pads, or other harsh cleaning tools. These can scratch or damage materials.
 - To help remove odors, you can wash interior walls with a mixture of warm water and baking soda (2 tbs. to 1 qt. [26 g to .95 L] of water).

4. Wash stainless steel and painted metal exteriors with a clean sponge or soft cloth and a mild detergent in warm water. Do not use abrasive or harsh cleaners. Dry thoroughly with a soft cloth. For additional protection against damage to painted metal exteriors, apply appliance wax (or auto paste wax) with a clean, soft cloth. Do not wax plastic parts.

NOTE: To keep your Stainless Steel refrigerator looking like new and to remove minor scuffs or marks, it is suggested that you use the manufacturer's approved Stainless Steel Cleaner & Polish.

IMPORTANT: This cleaner is for Stainless Steel parts only!

Do not allow the Stainless Steel Cleaner & Polish to come into contact with any plastic parts such as the trim pieces, dispenser covers or door gaskets. If accidental contact does occur, clean plastic part with a sponge and mild detergent in warm water. Dry thoroughly with a soft cloth. To order the cleaner, see the "Accessories" section.

5. There is no need for routine condenser cleaning in normal home operating environments. If the environment is particularly greasy or dusty, or there is significant pet traffic in the home, the condenser should be cleaned every two to three months to ensure maximum efficiency.

If you need to clean the condenser:

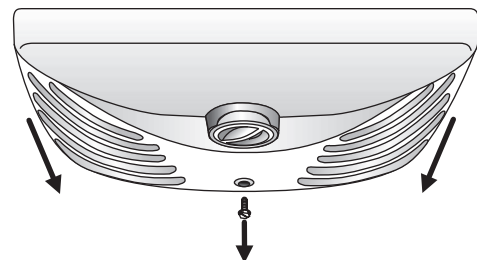
- Remove the base grille (see "Base Grille" or "Door Removal" section).
 - Use a vacuum with a soft brush to clean the grille, the open areas behind the grille and the front surface area of the condenser.
 - Replace the base grille when finished.
6. Plug in refrigerator or reconnect power.

Changing the Light Bulb

NOTE: Not all appliance bulbs will fit your refrigerator. Be sure to replace the bulb with one of the same size, shape, and wattage.

Changing the Refrigerator Light Bulb

1. Unplug refrigerator or disconnect power.
2. Remove screw from light shield. Make sure you keep screw for reattaching.
3. Slide shield toward back of compartment to release from light assembly.



Vacation and Moving Care

Vacations

If you choose to leave the refrigerator on while you're away:

1. Use up any perishables and freeze other items.
2. If your refrigerator has an automatic ice maker:
 - Raise wire shutoff arm to OFF (up) position or move the switch to the OFF (right) setting.
 - Shut off water supply to the ice maker.
3. Empty the ice bin.

If you choose to turn the refrigerator off before you leave:

1. Remove all food from the refrigerator.
2. If your refrigerator has an automatic ice maker:
 - Turn off the water supply to the ice maker at least one day ahead of time.
 - When the last load of ice drops, raise the wire shutoff arm to the OFF (up) position or move the switch to the OFF (right) setting.
3. Depending on your model, turn the Thermostat Control or Refrigerator Control to OFF. See the "Using the Control(s)" section.
4. Clean refrigerator, wipe it, and dry well.
5. Tape rubber or wood blocks to the tops of both doors to prop them open far enough for air to get in. This stops odor and mold from building up.

Moving

When you are moving your refrigerator to a new home, follow these steps to prepare it for the move.

1. If your refrigerator has an automatic ice maker:
 - Turn off the water supply to the ice maker at least one day ahead of time.
 - Disconnect the water line from the back of the refrigerator.
 - When the last load of ice drops, raise the wire shutoff arm to the OFF (up) position or move the switch to the OFF (right) setting.
2. Remove all food from the refrigerator and pack all frozen food in dry ice.
3. Empty the ice bin.
4. Depending on your model, turn the Thermostat Control or Refrigerator Control to OFF. See the "Using the Control(s)" section.
5. Unplug the refrigerator.
6. Empty water from the defrost pan.
7. Clean, wipe, and dry thoroughly.
8. Take out all removable parts, wrap them well, and tape them together so they don't shift and rattle during the move.
9. Depending on the model, raise the front of the refrigerator so it rolls more easily OR screw in the leveling legs so they don't scrape the floor. See the "Door Closing" or "Leveling Your Refrigerator" section.
10. Tape the doors shut and the power cord to the refrigerator cabinet.

When you get to your new home, put everything back and refer to the "Refrigerator Installation" section for preparation instructions. Also, if your refrigerator has an automatic ice maker, remember to reconnect the water supply to the refrigerator.

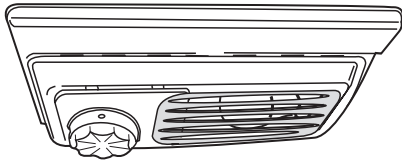
4. Replace burned-out bulb(s) with an appliance light bulb no greater than 40 watts.
5. Replace light bulb cover by inserting tabs on light shield into liner holes on each side of light assembly. Slide shield toward front of unit until it locks into place.
NOTE: Do not force shield beyond locking point; doing so may damage light shield.
6. Replace screw.
7. Plug in refrigerator or reconnect power.

Changing the Freezer Light Bulb

1. Unplug refrigerator or disconnect power.

NOTE: May need to remove upper freezer shelf or basket to access light assembly.

2. Squeeze and pull rear of light shield cover toward you to release tabs and pull down.



3. Replace burned-out bulb with appliance bulb no greater than 40 watts.
4. Insert front tabs of light cover into liner and snap back portion over light assembly.
5. Plug in refrigerator or reconnect power.

Power Interruptions

If the power will be out for 24 hours or less, keep both refrigerator doors closed to help food stay cold and frozen.

If the power will be out for more than 24 hours, do one of the following:

- Remove all frozen food and store it in a frozen food locker.
- Place 2 lbs. (907 g) of dry ice in the freezer for every cubic foot (28 L) of freezer space. This will keep the food frozen for two to four days.
- If neither a food locker nor dry ice is available, consume or can perishable food at once.

REMEMBER: A full freezer stays cold longer than a partially filled one. A freezer full of meat stays cold longer than a freezer full of baked goods. If you see that food contains ice crystals, it may be refrozen, although the quality and flavor may be affected. If the condition of the food is poor, dispose of it.

TROUBLESHOOTING

Try the solutions suggested here first in order to avoid the cost of an unnecessary service call.

Your refrigerator will not operate

- **Is the power supply cord unplugged?** Plug into a grounded 3 prong outlet.
 - **Has a household fuse or circuit breaker tripped?** Replace the fuse or reset the circuit.
 - **Is the Refrigerator Control turned to the OFF position?** Refer to the "Using the Control(s)" section.
 - **Is the refrigerator defrosting?** Recheck to see if the refrigerator is operating in 30 minutes. Your refrigerator will regularly run an automatic defrost cycle.
-

The lights do not work

- **Is the power supply cord unplugged?** Plug into a grounded 3 prong outlet.
 - **Is a light bulb loose in the socket?** Turn the refrigerator control to OFF. Disconnect the refrigerator from the electrical supply. Gently remove the bulb and reinsert. Then reconnect the refrigerator to the electrical supply and reset the refrigerator control.
 - **Has a light bulb burned out?** Replace with an appliance bulb of the same wattage, size, and shape. See the "Changing the Light Bulb(s)" section.
-

There is water in the defrost drain pan

- **Is the refrigerator defrosting?** The water will evaporate. It is normal for water to drip into the defrost pan.
 - **Is it more humid than normal?** Expect that the water in the defrost pan will take longer to evaporate. This is normal when it is hot or humid.
-

The motor seems to run too much

- **Is the room temperature hotter than normal?** Expect the motor to run longer under warm conditions. At normal room temperatures, expect your motor to run about 40% to 80% of the time. Under warmer conditions, expect it to run even more of the time.
- **Has a large amount of food just been added to the refrigerator?** Adding a large amount of food warms the refrigerator. It is normal for the motor to run longer in order to cool the refrigerator back down. See the "Refrigerator Features" section.

- **Are the doors opened often?** Expect the motor to run longer when this occurs. In order to conserve energy, try to get everything you need out of the refrigerator at once, keep food organized so it is easy to find, and close the door as soon as the food is removed.
- **Is the control set correctly for the surrounding conditions?** Refer to the "Using the Control(s)" section.
- **Are the doors closed completely?** Push the doors firmly shut. If they will not shut all the way, see "The doors will not close completely" later in this section.
- **Are the condenser coils dirty?** This prevents air transfer and makes the motor work harder. Clean the condenser coils. Refer to the "Cleaning" section.

NOTE: Your new refrigerator will run longer than your old one due to its high-efficiency motor.

The refrigerator seems to make too much noise

- **The sounds may be normal for your refrigerator.** Refer to the "Normal Sounds" section.
-

The ice maker is not producing ice (on some models)

- **Is the freezer temperature cold enough to produce ice?** Wait 24 hours after hookup for ice production. See the "Using the Control(s)" section.
- **Is the wire shutoff arm in the OFF (arm up) position?** Lower the wire shutoff arm to the ON (arm down) position. See the "Ice Maker" section.
- **Is the water line shutoff valve to the refrigerator turned on?** Turn on the water valve. See the "Water Supply Connection" section.
- **Is an ice cube jammed in the ejector arm?** Remove the ice from the ejector arm with a plastic utensil. Refer to the "Ice Maker" section.
- **Does the ice maker mold have water in it or has no ice been produced?** Check to see if your refrigerator has been connected to your home water supply and the supply shutoff valve is turned on. Refer to the "Water Supply Connection" section.

NOTE: If not due to any of the above, there may be a problem with the water line. Call for service.

The ice maker is producing too little ice (on some models)

- **Has the ice maker just been installed?** Wait 72 hours for full ice production to begin. Once your refrigerator is cooled down, the ice maker should begin producing 70 to 120 cubes every 24 hours.
- **Has a large amount of ice just been removed?** Allow 24 hours for ice maker to produce more ice.
- **Is the control set correctly?** Refer to the “Using the Control(s)” section.
- **Is the water shutoff valve turned completely on?** Turn valve on fully. Refer to the “Water Supply Connection” section.
- **Is there a water filter installed on the refrigerator?** This filter may be clogged or installed incorrectly. First, check the filter installation instructions to ensure that the filter was installed correctly and is not clogged. If installation or clogging is not a problem, call a technician or other qualified person.

Off-taste or gray color in the ice (on some models)

- **Are the plumbing connections new, causing discolored or off-flavored ice?** Discard the first few batches of ice.
- **Have the ice cubes been stored for too long?** Throw away old ice and make a new supply.
- **Has food in the refrigerator been wrapped properly?** Refer to the “Refrigerator Features” section.
- **Do the freezer and ice bin need to be cleaned?** See the “Cleaning” section.
- **Does the water contain minerals (such as sulfur)?** A filter may need to be installed to remove the minerals.

The divider between the two compartments is warm

The warmth is probably due to normal operation of the automatic exterior moisture control. If still concerned, call for service.

Temperature is too warm

- **Are the air vents blocked in either compartment?** This prevents the movement of cold air from the freezer to the refrigerator. Remove any objects from in front of the air vents. Refer to the “Ensuring Proper Air Circulation” section for the location of air vents.
- **Are the door(s) opened often?** Be aware that the refrigerator will warm when this occurs. In order to keep the refrigerator cool, try to get everything you need out of the refrigerator at once, keep food organized so it is easy to find, and close the door as soon as the food is removed.
- **Has a large amount of food just been added to the refrigerator or freezer?** Adding a large amount of food warms the refrigerator. It can take several hours for the refrigerator to return to the normal temperature.
- **Are the controls set correctly for the surrounding conditions?** Refer to the “Using the Control(s)” section.

There is interior moisture buildup

- **Are the air vents blocked in the refrigerator?** Remove any objects from in front of the air vents. Refer to the “Ensuring Proper Air Circulation” section for the location of air vents.
- **Are the door(s) opened often?** To avoid humidity buildup, try to get everything you need out of the refrigerator at once, keep food organized so it is easy to find, and close the door as soon as the food is removed. (When the door is opened, humidity from the room air enters the refrigerator. The more often the door is opened, the faster humidity builds up, especially when the room itself is very humid.)
- **Is the room humid?** It is normal for moisture to build up inside the refrigerator when the room air is humid.
- **Is the food packaged correctly?** Check that all food is securely wrapped. Wipe off damp food containers before placing in the refrigerator.
- **Are the controls set correctly for the surrounding conditions?** Refer to the “Using the Control(s)” section.
- **Was a self-defrost cycle completed?** It is normal for droplets to form on the back wall after the refrigerator self-defrosts.

The doors are difficult to open

- **Are the gaskets dirty or sticky?** Clean gaskets and the surface that they touch. Rub a thin coat of paraffin wax on the gaskets following cleaning.

The doors will not close completely

- **Are food packages blocking the door open?** Rearrange containers so that they fit more tightly and take up less space.
- **Is the ice bin out of position?** Push the ice bin in all the way.
- **Are the crisper cover, pans, shelves, bins, or baskets out of position?** Put the crisper cover and all pans, shelves, bins, and baskets back into their correct positions. See the “Refrigerator Features” section for more information.
- **Are the gaskets sticking?** Clean gaskets and the surface that they touch. Rub a thin coat of paraffin wax on the gaskets following cleaning.
- **Does the refrigerator wobble or seem unstable?** Level the refrigerator. Refer to the “Door Closing and Alignment” section.
- **Were the doors removed during product installation and not properly replaced?** Remove and replace the doors according to the “Reversing the Door Swing” section, or call a qualified service technician.

ASSISTANCE OR SERVICE

Before calling for assistance or service, please check "Troubleshooting." It may save you the cost of a service call. If you still need help, follow the instructions below.

When calling, please know the purchase date and the complete model and serial number of your appliance. This information will help us to better respond to your request.

If you need replacement parts

If you need to order replacement parts, we recommend that you only use factory specified replacement parts. Factory specified replacement parts will fit right and work right because they are made with the same precision used to build every new KITCHENAID® appliance.

To locate factory specified replacement parts in your area, call our Customer Interaction Center telephone number or your nearest designated service center.

In the U.S.A.

Call the KitchenAid Customer Interaction Center toll free: **1-800-422-1230**.

Our consultants provide assistance with:

- Features and specifications on our full line of appliances.
- Installation information.
- Use and maintenance procedures.
- Accessory and repair parts sales.
- Specialized customer assistance (Spanish speaking, hearing impaired, limited vision, etc.).
- Referrals to local dealers, repair parts distributors, and service companies. KitchenAid designated service technicians are trained to fulfill the product warranty and provide after-warranty service, anywhere in the United States.

To locate the KitchenAid designated service company in your area, you can also look in your telephone directory Yellow Pages.

For further assistance

If you need further assistance, you can write to KitchenAid with any questions or concerns at:

KitchenAid Brand Home Appliances
Customer Interaction Center
553 Benson Road
Benton Harbor, MI 49022-2692

Please include a daytime phone number in your correspondence.

In Canada

Call the KitchenAid Canada Customer Interaction Center toll free: **1-800-461-5681** Monday to Friday 8:00 a.m. - 6:00 p.m. (EST). Saturday 8:30 a.m. - 4:30 p.m. (EST).

Our consultants provide assistance with:

- Features and specifications on our full line of appliances.
- Referrals to local dealers.

For service in Canada

Call **1-800-807-6777**. KitchenAid Canada designated service technicians are trained to fulfill the product warranty and provide after-warranty service, anywhere in Canada.

For further assistance

If you need further assistance, you can write to KitchenAid Canada with any questions or concerns at:

KitchenAid Canada
Customer Interaction Center
1901 Minnesota Court
Mississauga, Ontario L5N 3A7

Please include a daytime phone number in your correspondence.

Accessories

To order accessories, call **1-800-442-9991** and ask for the appropriate part number listed below or contact your authorized KitchenAid dealer. In Canada, call **1-800-807-6777**.

Stainless Steel Cleaner & Polish

Order Part #4396095

KITCHENAID® REFRIGERATOR WARRANTY

ONE-YEAR FULL WARRANTY ON REFRIGERATOR

For one year from the date of purchase, when this refrigerator (excluding the water filter) is operated and maintained according to instructions attached to or furnished with the product, KitchenAid will pay for factory specified replacement parts and repair labor costs to correct defects in materials or workmanship. Service must be provided by a KitchenAid designated service company.

On models with a water filter: 30 day limited warranty on water filter. For 30 days from the date of purchase, when this filter is operated and maintained according to instructions attached to or furnished with the product, KitchenAid will pay for replacement parts to correct defects in materials and workmanship.

SECOND THROUGH FIFTH YEAR FULL WARRANTY ON CAVITY LINER AND SEALED REFRIGERATION SYSTEM PARTS AS LISTED

In second through fifth years from the date of purchase, when this refrigerator is operated and maintained according to instructions attached to or furnished with the product, KitchenAid will pay for replacement or repair of the refrigerator/freezer cavity liner (including labor costs) if the part cracks due to defective materials or workmanship. Service must be provided by a KitchenAid designated service company.

Also, in the second through fifth years from the date of purchase, KitchenAid will pay for factory specified replacement parts and repair labor costs to correct defects in materials or workmanship in the sealed refrigeration system. These parts are: compressor, evaporator, condenser, dryer, and connecting tubing. Service must be performed by a KitchenAid designated service company.

SIXTH THROUGH TENTH YEAR LIMITED WARRANTY ON SEALED REFRIGERATION SYSTEM PARTS AS LISTED

In sixth through tenth years from date of purchase, when this refrigerator is operated and maintained according to instructions attached to or furnished with the product, KitchenAid will pay for factory specified replacement parts to correct defects in materials or workmanship in the sealed refrigeration system. These parts are: compressor, evaporator, condenser, dryer, and connecting tubing.

KitchenAid will not pay for:

1. Service calls to correct the installation of your refrigerator, to instruct you how to use your refrigerator, to replace house fuses or correct house wiring or plumbing, to replace light bulbs, or replacement water filters other than as noted above.
 2. Repairs when your refrigerator is used in other than normal, single-family household use.
 3. Pickup and delivery. Your refrigerator is designed to be repaired in the home.
 4. Damage resulting from accident, alteration, misuse, abuse, fire, flood, improper installation, acts of God, or use of products not approved by KitchenAid or KitchenAid Canada.
 5. Any food loss due to product failure.
 6. Repairs to parts or systems resulting from unauthorized modifications made to the appliance.
 7. Replacement parts or repair labor costs for units operated outside the United States or Canada.
 8. In Canada, travel or transportation expenses for customers who reside in remote areas.
 9. Any labor costs during the limited warranty periods.
-

KITCHENAID AND KITCHENAID CANADA SHALL NOT BE LIABLE FOR INCIDENTAL OR CONSEQUENTIAL DAMAGES.

Some states or provinces do not allow the exclusion or limitation of incidental or consequential damages, so this exclusion or limitation may not apply to you. This warranty gives you specific legal rights, and you may also have other rights which vary from state to state or province to province.

Outside the 50 United States and Canada, this warranty does not apply. Contact your authorized KitchenAid dealer to determine if another warranty applies.

If you need service, first see the "Troubleshooting" section of this book. After checking "Troubleshooting", additional help can be found by checking the "Assistance or Service" section or by calling the KitchenAid Customer Interaction Center, **1-800-422-1230** (toll-free), from anywhere in the U.S.A. In Canada, contact your designated KitchenAid Canada service company or call **1-800-807-6777**. 2/02

Keep this book and your sales slip together for future reference. You must provide proof of purchase or installation date for in-warranty service.

Write down the following information about your refrigerator to better help you obtain assistance or service if you ever need it. You will need to know your complete model number and serial number. You can find this information on the model and serial number label located on the inside wall of the refrigerator compartment.

Dealer name _____
Address _____
Phone number _____
Model number _____
Serial number _____
Purchase date _____

SÉCURITÉ DU RÉFRIGÉRATEUR

Votre sécurité et celle des autres est très importante.

Nous donnons de nombreux messages de sécurité importants dans ce manuel et sur votre appareil ménager. Assurez-vous de toujours lire tous les messages de sécurité et de vous y conformer.



Voici le symbole d'alerte de sécurité.

Ce symbole d'alerte de sécurité vous signale les dangers potentiels de décès et de blessures graves à vous et à d'autres.

Tous les messages de sécurité suivront le symbole d'alerte de sécurité et le mot "DANGER" ou "AVERTISSEMENT". Ces mots signifient :

! DANGER

Risque possible de décès ou de blessure grave si vous ne suivez pas immédiatement les instructions.

! AVERTISSEMENT

Risque possible de décès ou de blessure grave si vous ne suivez pas les instructions.

Tous les messages de sécurité vous diront quel est le danger potentiel et vous disent comment réduire le risque de blessure et ce qui peut se produire en cas de non-respect des instructions.

IMPORTANTES INSTRUCTIONS DE SÉCURITÉ

AVERTISSEMENT : Pour réduire les risques d'incendie, de choc électrique ou des blessures lors de l'utilisation du réfrigérateur, prendre quelques précautions fondamentales, y compris les suivantes :

- Brancher l'appareil sur une prise à 3 alvéoles reliée à la terre.
- Ne pas enlever la broche de liaison à la terre.
- Ne pas utiliser un adaptateur.
- Ne pas utiliser un câble de rallonge.
- Utiliser deux ou plus de personnes pour déplacer et installer le réfrigérateur.
- Débrancher la source de courant électrique avant l'entretien.
- Replacer tous les panneaux avant de faire la remise en marche.
- Utiliser un produit de nettoyage ininflammable.
- Garder les matériaux et les vapeurs inflammables, telle que l'essence, loin du réfrigérateur.
- Débrancher le réfrigérateur avant l'installation de la machine à glaçons (seulement pour modèles prêts à recevoir une machine à glaçons).
- Utiliser un verre robuste pour prendre des glaçons ou de l'eau (sur certains modèles).
- Enlever les portes de votre vieux réfrigérateur.

CONSERVEZ CES INSTRUCTIONS

Mise au rebut de votre vieux réfrigérateur

! AVERTISSEMENT

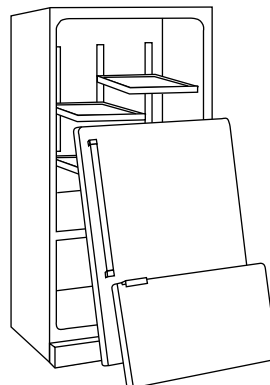
Risque de suffoquer

Enlever les portes de votre vieux réfrigérateur.
Le non-respect de cette instruction peut causer un décès ou des lésions cérébrales.

IMPORTANT : L'emprisonnement et l'étouffement des enfants ne sont pas un problème du passé. Les réfrigérateurs jetés ou abandonnés sont encore dangereux, même s'ils sont laissés abandonnés pendant "quelques jours seulement". Si vous vous débarrassez de votre vieux réfrigérateur, veuillez suivre les instructions suivantes pour aider à éviter les accidents.

Avant de jeter votre vieux réfrigérateur ou congélateur :

- Enlever les portes.
- Laisser les tablettes en place de sorte que les enfants ne puissent pas y pénétrer facilement.



INSTALLATION DU RÉFRIGÉRATEUR

Déballage

⚠️ AVERTISSEMENT

Risque du poids excessif

Utiliser deux ou plus de personnes pour déplacer et installer le réfrigérateur.

Le non-respect de cette instruction peut causer une blessure au dos ou d'autre blessure.

Enlèvement des matériaux d'emballage

- Enlever le ruban adhésif et la colle des surfaces du réfrigérateur avant de le mettre en marche. Frotter une petite quantité de savon liquide pour la vaisselle sur l'adhésif avec les doigts. Rincer à l'eau tiède et essuyer.
- Ne pas utiliser d'instruments coupants, d'alcool à friction, de liquides inflammables ou de nettoyants abrasifs pour enlever le ruban adhésif ou la colle. Ces produits peuvent endommager la surface de votre réfrigérateur. Pour plus de renseignements, voir la section "Sécurité du réfrigérateur".
- Sur certains modèles, des tablettes, bacs, glissières de tablettes dans la porte et autres pièces peuvent être emballés dans la trousse FeaturePak. Suivre les instructions contenues dans l'emballage pour le montage approprié.
- Selon le modèle que vous avez, pour enlever la pellicule protectrice (transparente) qui recouvre la plaque signalétique située sur la poignée du congélateur, utiliser votre ongle, enlever la pellicule en la décollant d'un côté à l'autre.

IMPORTANT : Ne pas enlever l'encart en mousse blanche du retour d'air situé derrière le panneau de réglage au plafond du réfrigérateur (sur certains modèles). L'encart fait partie du réfrigérateur et n'est pas un matériau d'emballage. Si l'encart est enlevé, de la glace peut se former en provenance du congélateur et causer la formation de glaçons.

Déplacement de votre réfrigérateur :

Votre réfrigérateur est lourd. Lors du déplacement du réfrigérateur pour le nettoyage ou le service, veiller à protéger le plancher. Toujours tirer le réfrigérateur tout droit lors du déplacement. Ne pas incliner le réfrigérateur d'un côté ou de l'autre ni le "faire marcher" en essayant de le déplacer car le plancher pourrait être endommagé.

Nettoyage avant l'utilisation

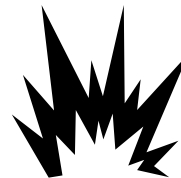
Après avoir enlevé tous les matériaux d'emballage, nettoyer l'intérieur du réfrigérateur avant de l'utiliser. Voir les instructions de nettoyage dans la section "Entretien du réfrigérateur".

Importants renseignements à savoir au sujet des tablettes et des couvercles en verre :

Ne pas nettoyer les tablettes ou couvercles en verre avec de l'eau tiède quand ils sont froids. Les tablettes et les couvercles peuvent se briser s'ils sont exposés à des changements soudains de température ou à un impact tel que coup brusque. Pour votre protection, le verre trempé est conçu pour éclater en d'innombrables pièces minuscules. Ceci est normal. Les tablettes et les couvercles en verre sont lourds. Un soin spécial s'impose lors de leur déplacement pour éviter l'impact d'une chute.

Emplacement d'installation

⚠️ AVERTISSEMENT

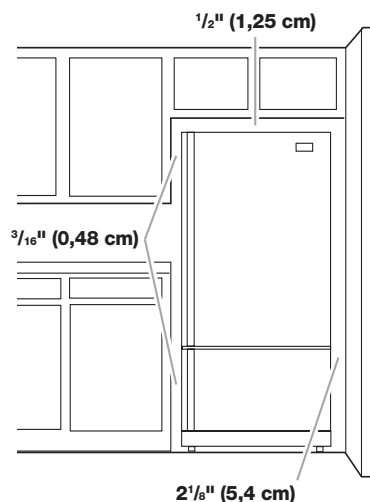


Risque d'explosion

Garder les matériaux et les vapeurs inflammables, telle que l'essence, loin du réfrigérateur.

Le non-respect de cette instruction peut causer un décès, une explosion ou un incendie.

- Pour obtenir une aération appropriée pour votre réfrigérateur, laisser un espace de $\frac{1}{2}$ po (1,25 cm) au sommet et à l'arrière et un espace de $\frac{3}{16}$ po (0,48 cm) de chaque côté du réfrigérateur pour faciliter l'installation.
- Si vous installez votre réfrigérateur près d'un mur fixe, laisser un minimum de $2\frac{1}{8}$ po (5,4 cm) de chaque côté (selon le modèle) pour permettre à la porte de s'ouvrir sans obstruction.



- Si votre réfrigérateur comporte une machine à glaçons, s'assurer qu'un espace additionnel est prévu à l'arrière pour permettre les connexions des conduits d'eau.

REMARQUE : Ne pas installer le réfrigérateur près d'un four, d'un radiateur ou d'une autre source de chaleur, ni dans un endroit où la température baissera au-dessous de 55°F (13°C).

Spécifications électriques

⚠ AVERTISSEMENT



Risque de choc électrique

Brancher sur une prise à 3 alvéoles reliée à la terre.

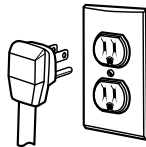
Ne pas enlever la broche de liaison à la terre.

Ne pas utiliser un adaptateur.

Ne pas utiliser un câble de rallonge.

Le non-respect de ces instructions peut causer un décès, un incendie ou un choc électrique.

Avant de placer le réfrigérateur à son emplacement final, il est important de vous assurer d'avoir la connexion électrique appropriée :



Méthode recommandée de mise à la terre

Une source d'alimentation de 115 volts, 60 Hz, type 15 ou 20 ampères CA seulement, protégée par fusibles et adéquatement mise à la terre est nécessaire. Il est recommandé d'utiliser un circuit distinct pour alimenter uniquement votre réfrigérateur. Utiliser une prise murale qui ne peut pas être mise hors circuit à l'aide d'un commutateur. Ne pas employer de rallonge.

REMARQUE : Avant d'exécuter tout type d'installation, nettoyage ou remplacement d'une ampoule d'éclairage, tourner la commande (du thermostat, du réfrigérateur ou du congélateur selon le modèle) à OFF (arrêt) et débrancher ensuite le réfrigérateur de la source d'alimentation électrique. Lorsque vous avez terminé, reconnecter le réfrigérateur à la source d'alimentation électrique et mettre de nouveau la commande (du thermostat, du réfrigérateur ou du congélateur selon le modèle) au réglage désiré.

Raccordement de la canalisation d'eau

(Pour appareils avec machines à glaçons automatiques)

Lire attentivement toutes les instructions avant de commencer.

IMPORTANT :

- Si on doit utiliser le réfrigérateur avant qu'il soit raccordé à la canalisation d'eau, placer la commande de la machine à glaçons à la position d'arrêt (OFF) (bras relevé) pour empêcher que la machine à glaçons fonctionne sans eau.
- Toutes les installations doivent être conformes aux exigences des codes locaux de plomberie.
- Utiliser un tube en cuivre et vérifier s'il y a des fuites.
- Installer les tubes en cuivre seulement à des endroits où la température se maintient au-dessus du point de congélation.
- Une période d'attente allant jusqu'à 24 heures est nécessaire avant que l'appareil commence à produire des glaçons.

Outils requis :

- Tournevis à lame plate
- Clé plate de 1/2 po ou clé à molette réglable
- Forets de 1/4 po et 5/16 po
- Perceuse manuelle ou électrique (convenablement reliée à la terre)
- Marteau
- Pointeau à centrer
- Seau
- Serviette
- Gants

REMARQUE : Votre marchand de réfrigérateurs présente une trousse disponible avec un robinet de genre à selle de 1/4 po (6,35 mm), un raccord et un tube en cuivre. Avant l'achat, s'assurer que le robinet de genre à selle est conforme à vos codes locaux de plomberie. Ne pas employer de robinet de genre à selle ou de 3/16 po (4,76 mm) de type à percer, qui réduit le débit d'eau et cause une obstruction plus facilement.

Arrivée d'eau froide

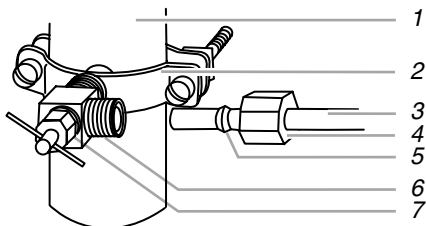
La valve d'entrée d'eau de la machine à glaçons comprend une rondelle de contrôle du débit, qui est utilisée comme élément de régulation de la pression d'eau. La machine à glaçons a besoin d'être connectée à une canalisation d'eau froide avec limitations de pression d'eau de 20 à 120 lb/po² (140-827 kPa). Si un problème survient, contacter la compagnie de distribution d'eau.

Raccordement à une canalisation d'eau

1. Débrancher le réfrigérateur ou déconnecter la source de courant électrique.
2. FERMER le robinet principal d'arrivée d'eau. OUVRIR le robinet de puisage le plus proche pendant une période suffisante pour que la canalisation d'eau se vide.
3. Trouver une canalisation d'eau FROIDE verticale de ½ po à 1¼ po (12,7 mm à 3,18 mm) près du réfrigérateur.

REMARQUE : Un conduit horizontal fonctionnera, mais le procédé suivant doit être suivi : percer par le dessus de la canalisation et non pas par le dessous. Ainsi, l'eau ne risquera pas d'arroser la perceuse. Ceci empêche également les sédiments qu'on trouve normalement dans l'eau de s'accumuler dans le robinet d'arrêt.

4. Pour déterminer la longueur du tube en cuivre, il faut mesurer la distance entre le point de connexion au bas du côté arrière gauche du réfrigérateur et le tuyau d'arrivée d'eau. Ajouter une longueur de 7 pi (2,1 m) pour permettre le déplacement du réfrigérateur pour le nettoyage. Utiliser un tube en cuivre de ¼ po (6,35 mm) de diamètre extérieur. Veiller à ce que le tube soit coupé d'équerre aux deux extrémités.
5. Utiliser un marteau et un pointeau à centrer pour marquer l'emplacement du trou à percer sur la canalisation d'eau. À l'aide d'une perceuse électrique reliée à la terre, percer un trou de ¼ po dans le tuyau de canalisation d'eau froide choisie.

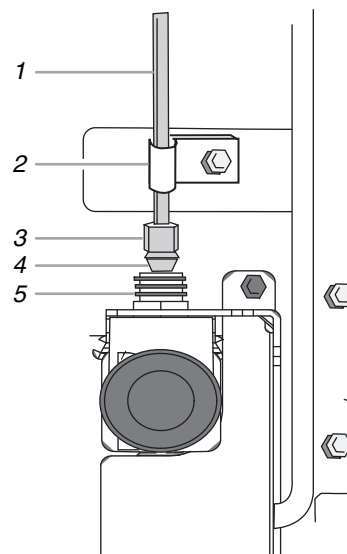


- | | |
|------------------------------|-------------------------|
| 1. Canalisation d'eau froide | 5. Bague de compression |
| 2. Bride de tuyau | 6. Robinet d'arrêt |
| 3. Tube en cuivre | 7. Écrou de serrage |
| 4. Écrou de compression | |

6. Fixer le robinet sur la canalisation d'eau froide avec la bride de tuyau. Vérifier que le raccord du robinet est bien engagé dans le trou de ¼ po percé dans la canalisation et que la rondelle d'étanchéité est placée sous la bride de tuyau. Serrer l'écrou de serrage. Serrer soigneusement et uniformément les vis fixant la bride de tuyau sur la tuyauterie afin que la rondelle forme une jonction étanche. Ne pas serrer excessivement car ceci pourrait provoquer l'écrasement du tube en cuivre, particulièrement s'il s'agit d'un tube en cuivre malléable. On est maintenant prêt à connecter le tube de raccordement en cuivre.
7. Enfiler l'écrou et la bague de compression du raccord sur le tube en cuivre comme on le voit sur l'illustration. Insérer l'extrémité du tube aussi loin que possible dans l'ouverture de sortie du robinet. Visser l'écrou de compression sur le raccord de sortie avec une clé à molette. Ne pas serrer excessivement.
8. Placer le bout libre du tube dans l'évier ou un seau et OUVRIR le robinet principal d'arrivée d'eau et laisser l'eau s'écouler par le tube jusqu'à ce que l'eau soit limpide. FERMER le robinet principal d'arrivée d'eau. Vérifier s'il y a des fuites. Enrouler le tube en cuivre en spirale.

Raccordement au réfrigérateur

1. Enlever le capuchon de plastique du robinet d'arrivée d'eau. Connecter le tube en cuivre au robinet d'eau en utilisant un écrou et une bague de compression tel qu'illustré. Serrer l'écrou de compression. Ne pas serrer excessivement. Vérifier que le tube en cuivre est fixé solidement en tirant sur le tube en cuivre.
2. Créer une boucle de service en prenant très grand soin d'éviter les déformations. Fixer le tube en cuivre à la caisse du réfrigérateur avec une bride en "P".



- | |
|-------------------------|
| 1. Tube en cuivre |
| 2. Bride en "P" |
| 3. Écrou de compression |
| 4. Bague de compression |
| 5. Valve d'entrée d'eau |

3. Ouvrir l'arrivée d'eau au réfrigérateur et vérifier s'il y a des fuites. Corriger toute fuite.
4. Brancher le réfrigérateur ou reconnecter la source de courant électrique.
5. Pousser le réfrigérateur dans l'ouverture.

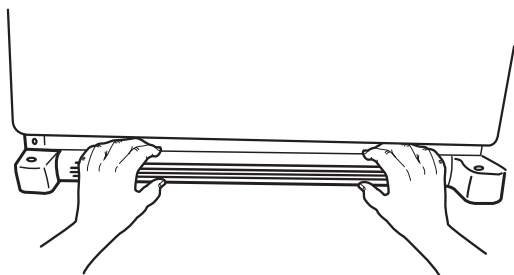
Grille de la base

Pour enlever la grille de la base

1. Saisir la grille à deux mains.
 2. Tirer vers le haut sur le dessus et l'incliner vers soi.
 3. Tirer vers le bas pour libérer le dessus de la grille.
-

Pour replacer la grille de la base

1. Voir les repères à l'intérieur de la grille de la base pour l'emplacement correct.
2. Emboîter le haut de la grille en place en premier.
3. Appuyer pour baisser et faire entrer le dessus de la grille jusqu'à ce qu'elle s'enclenche en place.



Portes du réfrigérateur

Enlèvement de la poignée

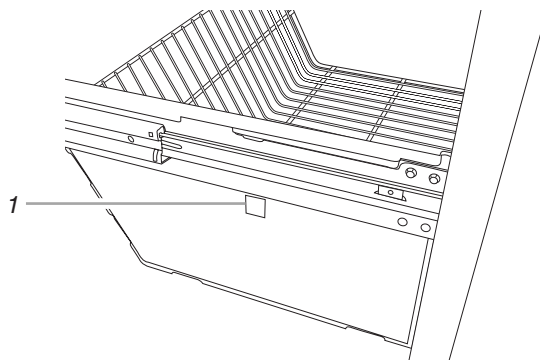
(Les illustrations sont incluses plus loin dans cette section.)

1. À l'aide d'une clé Allen de $\frac{3}{32}$ po, desserrer les 2 vis de retenue situées sous chaque poignée.
2. Tirer sur la poignée tout droit pour la sortir de la porte. S'assurer de garder les vis pour réinstaller les poignées.

Enlèvement du tiroir du congélateur

(Les illustrations sont incluses plus loin dans cette section.)

1. Ouvrir le tiroir du congélateur en grand.
2. Retirer tous les articles des paniers.
3. Faire glisser le panier supérieur en broche complètement et le soulever pour l'enlever.
4. Enlever le panier inférieur en broche en appuyant sur le bouton de dégagement qui se trouve de chaque côté et retirer le panier des glissières de sécurité.



1. Bouton de dégagement

5. Enlever la vis Phillips (sur certains modèles) de chaque côté de l'ensemble de rails du tiroir (voir l'illustration 6-1).
REMARQUE : Ne pas enlever les vis à tête hexagonale de l'ensemble de rails.
6. Soulever la poignée avant du tiroir du congélateur pour défaire les crochets du rail du tiroir de l'intérieur de l'ensemble du rail. Soulever le tiroir pour le retirer.

Réinstallation du tiroir du congélateur

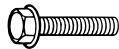
IMPORTANT : Deux personnes peuvent être nécessaires pour effectuer cette procédure.

1. Tirer complètement les deux ensembles intérieurs de rails de chaque côté de la caisse.
2. Repérer les encoches sur les deux prolongements de rails intérieurs (voir l'illustration 6-2).
3. Aligner les onglets sur le bord extérieur des ensembles de rails du tiroir avec les encoches sur les deux prolongements de rails.
4. Insérer les onglets dans les encoches (voir l'illustration 6-3).
5. Replacer les vis Phillips (sur certains modèles) sur les deux prolongements de rails (voir l'illustration 6-1).
6. Réinstaller le panier inférieur en plaçant le panier dans les rails guides.
7. Faire glisser le panier supérieur dans le compartiment supérieur.

Enlèvement de la porte et des charnières

IMPORTANT :

- Avant de commencer, tourner la commande du réfrigérateur à OFF (arrêt), débrancher le réfrigérateur ou déconnecter le courant. Retirer les aliments et tout balconnet de la porte du réfrigérateur.
- Toutes les illustrations mentionnées dans les instructions suivantes sont incluses plus loin dans cette section après "Étapes finales".



Vis de charnière supérieure à tête hexagonale de 5/16 po

Outils requis : Clés à douilles à tête hexagonale de 5/16 po, 3/8 po et 1/4 po, tournevis Phillips n° 2 et un tournevis à tête plate.

1. Laisser le réfrigérateur fermé jusqu'à ce vous soyez prêt à le soulever de la caisse.
REMARQUE : Prévoir un support additionnel des portes pendant la réinstallation des charnières. La force d'attraction des aimants des portes ne suffit pas à les maintenir en place.
2. Enlever les pièces de la charnière supérieure - voir l'illustration de la charnière supérieure. Soulever la porte du réfrigérateur pour la séparer de la caisse.
3. Enlever les pièces de la charnière inférieure - voir l'illustration de la charnière inférieure.

Inversion du sens d'ouverture de la porte (sur certains modèles)

IMPORTANT :

- Les portes de réfrigérateur en acier inoxydable ne peuvent pas être inversées.
- Si on souhaite inverser la position des portes qui ne sont pas en acier inoxydable pour pouvoir les ouvrir du côté opposé, procéder comme suit. S'il n'est pas nécessaire de changer l'orientation des portes, voir la section "Remplacer les portes et les charnières".



Vis de butée de la porte



Vis frontale de scellement de la poignée de la porte



Vis de poignée à tête plate



Bouchon obturateur de charnière de caisse

Caisse

1. Enlever les vis de la charnière (côté poignée); transférer ces pièces du côté opposé (voir l'illustration 1-1).
2. Enlever les bouchons d'obturation des trous au sommet de la caisse; transférer ceux-ci dans les trous de charnière du côté opposé (voir l'illustration 1-2).

Porte du réfrigérateur

1. Enlever la poignée de la porte du réfrigérateur y compris les tiges et les vis de montage. Conserver toutes les pièces ensemble (voir l'illustration 2).
2. Enlever l'avant de la vis de blocage de la poignée de porte. La transférer du côté opposé de la porte du réfrigérateur (voir l'illustration 5).
3. Enlever la butée de porte du bord inférieur de la porte du réfrigérateur. La transférer du côté opposé de la porte du réfrigérateur (voir l'illustration 3).
4. Fixer les tiges de montage de la poignée de la porte sur le côté opposé de la porte.
5. Positionner la poignée de porte du réfrigérateur sur le côté opposé de la porte (voir l'illustration 2). Insérer deux vis de réglage dans les côtés de la poignée.
6. Serrer toutes les vis. Conserver la porte à part jusqu'à la mise en place des charnières et de la porte du congélateur.

Remplacement de la porte et des charnières

REMARQUE : Si on inverse le sens d'ouverture des portes, considérer l'image symétrique.

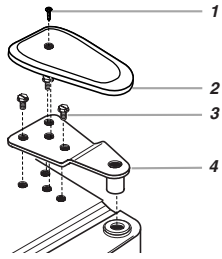
1. Replacer les pièces de la charnière inférieure tel qu'illustré. Resserrer les vis. Replacer la porte du réfrigérateur.
REMARQUE : Prévoir un support additionnel des portes pendant la réinstallation des charnières. La force d'attraction des aimants des portes ne suffit pas à les maintenir en place.
2. Assembler les pièces de la charnière supérieure (voir l'illustration de la charnière supérieure). Ne pas complètement serrer les vis.
3. Aligner correctement la porte au niveau du bas de la porte du compartiment de congélation et du sommet de la porte du réfrigérateur. Serrer toutes les vis.

Étapes finales

1. Inspecter tous les trous. Vérifier que tous les bouchons d'obturation et vis sont en place. Réinstaller le couvercle de la charnière supérieure (voir l'illustration de la charnière supérieure).
2. Brancher le réfrigérateur ou remettre le courant.
3. Effectuer les réglages nécessaires (voir la section "Utilisation des commandes").
4. Réinstaller toutes les pièces amovibles; y ranger les aliments.

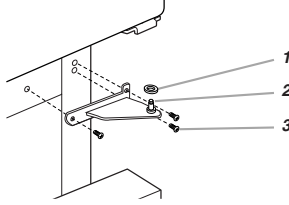
Démontage et réinstallation de la porte

Charnière supérieure



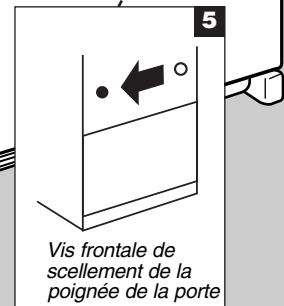
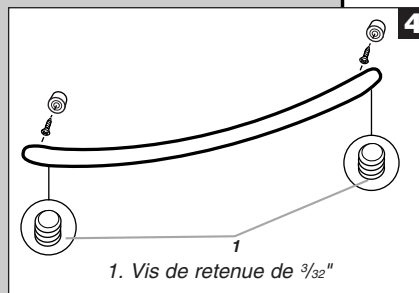
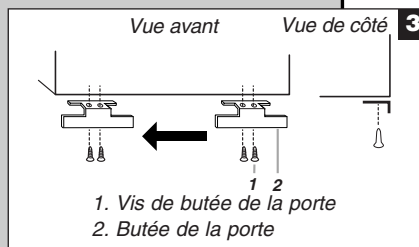
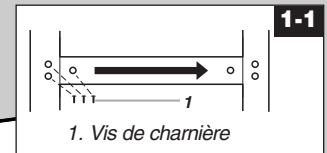
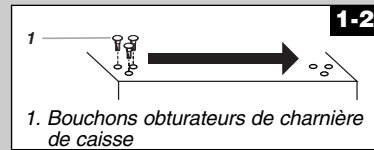
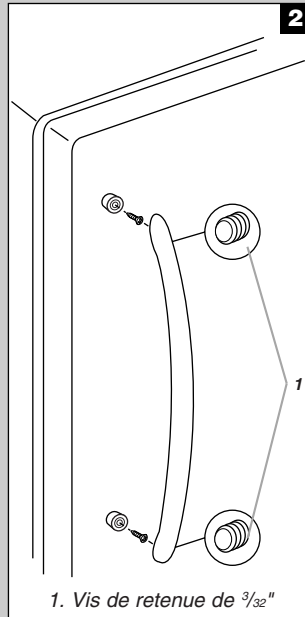
1. Vis de plaque de charnière
2. Plaque de charnière supérieure
3. Vis de charnière à tête hexagonale de 5/16"
4. Charnière supérieure

Charnière inférieure

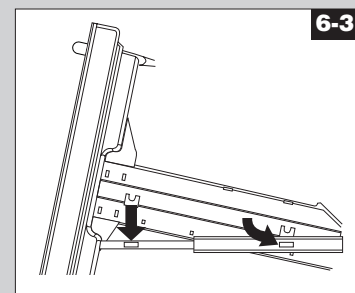
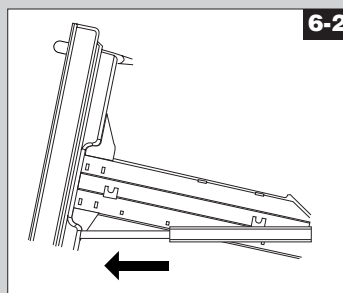
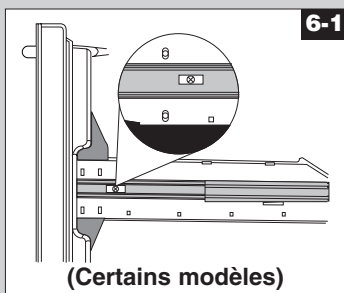


1. Cale
2. Charnière centrale
3. Vis de charnière

Inversion du sens d'ouverture des portes (option)



Démontage et réinstallation du tiroir



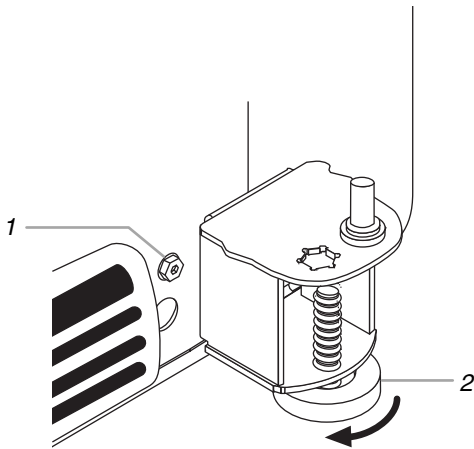
Fermeture et alignement des portes

Fermeture des portes

Votre réfrigérateur comporte deux roulettes réglables à l'avant qui sont à la base du réfrigérateur de chaque côté. Si votre réfrigérateur semble instable ou si vous désirez que les portes se ferment plus facilement, faire le réglage de l'inclinaison du réfrigérateur en suivant les instructions ci-dessous :

1. Brancher l'appareil sur une prise à 3 alvéoles reliée à la terre.
2. Placer le réfrigérateur à son emplacement final.
3. Retirer la grille de la base et les plaques de la charnière inférieure (voir la section "Grille de la base"). Les deux vis de réglage des roulettes font partie du montage de roulettes avant.
4. Se servir d'un tournevis ou d'un tournevis à tête hexagonale de $\frac{3}{8}$ po pour ajuster les vis de réglage des roulettes. Tourner la vis de réglage des roulettes vers la droite pour soulever ce côté du réfrigérateur ou tourner la vis vers la gauche pour abaisser ce côté. Il faudra peut-être plusieurs tours des vis de réglage des roulettes pour ajuster l'inclinaison du réfrigérateur.

REMARQUE : Si une autre personne pousse le haut du réfrigérateur, le poids devient moins lourd sur les vis de nivellement et les roulettes, ce qui rend plus facile l'ajustement des vis.



1. Vis de réglage des roulettes
2. Pied de stabilisation

5. Ouvrir de nouveau les deux portes et s'assurer qu'elles ferment aussi facilement que vous l'aimez. Sinon, incliner légèrement le réfrigérateur vers l'arrière en tournant les deux vis de réglage des roulettes vers la droite. Il faudra peut-être plusieurs tours et vous devriez tourner les deux vis de réglage des roulettes également.
6. Abaisser le pied de stabilisation en le tournant dans le sens horaire jusqu'à ce qu'il touche bien le sol.

REMARQUE : Les modèles à tiroir de congélation disposent d'un pied de stabilisation de chaque côté qui s'abaisse en le tournant dans le sens horaire.

7. Réinstaller la grille de la base.

Sons normaux

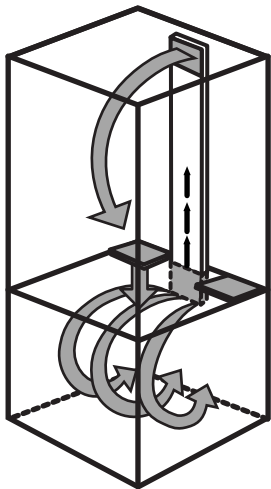
Il est possible que le réfrigérateur neuf émette des bruits que l'appareil précédent ne produisait pas. Comme ces bruits sont nouveaux, ils peuvent vous inquiéter. La plupart de ces nouveaux bruits sont normaux. Des surfaces dures comme le plancher, les murs et les armoires peuvent faire paraître les bruits plus forts qu'en réalité. Les descriptions suivantes indiquent le genre de bruits et leur origine.

- Si votre appareil est équipé d'une machine à glaçons, vous entendrez un bruit de gargouillement lorsque la valve d'eau s'ouvre pour remplir la machine à glaçons pour chaque programme.
- Votre réfrigérateur est conçu pour fonctionner plus efficacement afin de garder les aliments à la température désirée et pour minimiser la consommation d'énergie. Le compresseur et les ventilateurs très efficaces peuvent faire fonctionner votre réfrigérateur plus longtemps que l'ancien. Vous pouvez aussi entendre des bruits saccadés ou aigus provenant du compresseur et des ventilateurs qui s'ajustent pour optimiser la performance.
- Vous pouvez entendre le moteur du ventilateur d'évaporation qui fait circuler l'air dans le réfrigérateur et le congélateur. La vitesse du ventilateur peut augmenter si on ouvre les portes ou si on ajoute des aliments chauds.
- Les vibrations sonores peuvent provenir de l'écoulement du réfrigérant, de la canalisation d'eau ou d'articles placés sur le réfrigérateur.
- L'eau qui dégoutte sur le dispositif de chauffage durant le programme de dégivrage peut produire un grésillement.
- À la fin de chaque programme, vous pouvez entendre un gargouillement attribuable au réfrigérant qui circule dans votre réfrigérateur.
- La contraction et l'expansion des parois internes peuvent produire un bruit sec.
- Vous pouvez entendre de l'air forcé sur le condenseur par le ventilateur du condenseur.
- Vous pouvez entendre l'écoulement de l'eau dans le plat de récupération d'eau de dégivrage pendant le programme de dégivrage.

UTILISATION DU RÉFRIGÉRATEUR

Pour s'assurer d'une circulation d'air appropriée

Pour s'assurer d'avoir les températures appropriées, il faut permettre à l'air de circuler entre les sections du réfrigérateur et du congélateur. Comme l'indique l'illustration, l'air froid pénètre dans la section du congélateur par les ouvertures d'aération à l'arrière et au sommet. L'air passe à travers la section du congélateur et recircule sous le plancher du congélateur. L'air froid pénètre dans la section du réfrigérateur par le sommet et circule en descendant sur les tablettes jusqu'aux portes et recircule pour retourner aux ouvertures d'aération en bas.



Ne pas obstruer l'une ou l'autre de ces ouvertures d'aération avec des emballages d'aliments. Si les ouvertures d'aération sont obstruées, le débit d'air sera bloqué et des problèmes de température et d'humidité surviendront.

IMPORTANT : Comme l'air circule entre les deux sections, toutes les odeurs formées dans une section seront transférées à l'autre. Vous devez nettoyer à fond les deux sections pour éliminer les odeurs. Pour empêcher le transfert d'odeurs et l'assèchement des aliments, envelopper ou couvrir les aliments hermétiquement.

Utilisation des commandes

Pour vous accommoder, les commandes du réfrigérateur et du congélateur ont été pré-réglées à l'usine. Au moment de l'installation initiale du réfrigérateur, s'assurer que les commandes des compartiments de réfrigération et de congélation sont encore pré-réglées aux réglages moyens tel qu'illustré.

Réglage moyen "4"



IMPORTANT :

- Pour régler le réfrigérateur à OFF (arrêt), tourner la commande du congélateur au mot OFF ou jusqu'à ce que le mot OFF (arrêt) apparaisse. Aucun compartiment ne se refroidira lorsque la commande du congélateur est réglée à OFF (arrêt).
- La commande du réfrigérateur règle la température du compartiment de réfrigération. La commande du congélateur ajuste la température du compartiment de congélation. Les réglages vers la gauche du réglage central rendent la température moins froide. Les réglages vers la droite du réglage central rendent la température plus froide.
- Attendre 24 heures avant de placer des aliments dans le réfrigérateur. Si vous ajoutez des aliments avant que le réfrigérateur ait complètement refroidi, vos aliments peuvent être abîmés.

REMARQUE : Tourner les commandes du réfrigérateur et du congélateur à un réglage plus élevé (plus froid) que le réglage recommandé ne refroidira pas les compartiments plus vite.

- Les réglages pré-réglés devraient convenir à un usage domestique normal. Les commandes sont réglées correctement lorsque le lait ou le jus est aussi froid que vous les aimez et lorsque la crème glacée est ferme.
- Si la température est trop élevée ou trop basse dans les compartiments de réfrigération et de congélation, vérifier d'abord les ouvertures d'aération pour s'assurer qu'elles ne sont pas bloquées avant d'ajuster les commandes.

Ajustement des réglages de commande

Donner au réfrigérateur le temps de refroidir complètement avant d'ajouter des aliments. Il vaut mieux attendre 24 heures avant de placer des aliments dans le réfrigérateur. Les réglages indiqués à la section précédente devraient être corrects pour l'utilisation normale du réfrigérateur domestique. Les réglages sont faits correctement lorsque le lait ou le jus est aussi froid que vous les aimez et lorsque la crème glacée est ferme.

S'il est nécessaire d'ajuster les températures dans le réfrigérateur ou le congélateur, utiliser les réglages indiqués au tableau ci-dessous comme guide. Toujours se souvenir d'attendre au moins 24 heures entre les ajustements.

CONDITION/RAISON :	AJUSTEMENT RECOMMANDÉ :
Section du RÉFRIGÉRATEUR trop tiède <ul style="list-style-type: none">■ Porte fréquemment ouverte■ Grande quantité d'aliments ajoutée■ Température ambiante très chaude	Tourner le réglage du RÉFRIGÉRATEUR au chiffre plus élevé suivant, attendre 24 heures, puis vérifier de nouveau
Section du CONGÉLATEUR trop tiède/glaçons non préparés assez vite <ul style="list-style-type: none">■ Porte fréquemment ouverte■ Grande quantité d'aliments ajoutée■ Température ambiante très froide (programme en fonctionnement trop peu fréquent)■ Usage intense de glaçons	Tourner le réglage du CONGÉLATEUR au chiffre plus élevé suivant, attendre 24 heures, puis vérifier de nouveau
Section du RÉFRIGÉRATEUR trop froide <ul style="list-style-type: none">■ Réglage incorrect pour les conditions existantes	Tourner le réglage du RÉFRIGÉRATEUR au chiffre plus bas suivant, attendre 24 heures, puis vérifier de nouveau
Section du CONGÉLATEUR trop froide <ul style="list-style-type: none">■ Réglage incorrect pour les conditions existantes	Tourner le réglage du CONGÉLATEUR au chiffre plus bas suivant, attendre 24 heures, puis vérifier de nouveau

Machine à glaçons

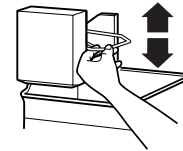
Mise en marche/arrêt de la machine à glaçons

REMARQUE : Ne pas forcer le bras de commande en broche vers le haut ou vers le bas.

- Pour mettre la machine à glaçons en marche, il suffit d'abaisser le bras de commande en broche.

REMARQUE : Votre machine à glaçons a un arrêt automatique. Au fur et à mesure de la fabrication de la glace, les glaçons remplissent le bac d'entreposage de glaçons. Les glaçons soulèvent le bras de commande en broche à la position OFF (élevée).

- Pour un arrêt manuel, soulever le bras de commande en broche à la position OFF (élevée) et écouter pour le dé clic pour s'assurer que la machine à glaçons ne continuera pas de fonctionner.



Augmentation du taux de production de glaçons

La machine à glaçons devrait produire environ 8 à 12 lots de glaçons par période de 24 heures. Si les glaçons ne sont pas fabriqués assez rapidement, tourner la commande du congélateur vers un chiffre plus élevé (plus froid) en étapes de un demi numéro. (Par exemple, si la commande est à 3, la déplacer entre 3 et 4.) Attendre 24 heures et, si nécessaire, tourner graduellement la commande du congélateur au réglage le plus élevé, en attendant 24 heures entre chaque augmentation.

À NOTER :

- Accorder 24 heures pour produire la première quantité de glaçons. Jeter les trois premières quantités de glaçons produites.
- La qualité de vos glaçons sera seulement aussi bonne que la qualité de l'eau fournie à votre machine à glaçons. Éviter de brancher la machine à glaçons à un approvisionnement d'eau adoucie. Les produits chimiques adoucisseurs d'eau (tels que le sel) peuvent endommager des pièces de la machine à glaçons et causer une piètre qualité des glaçons. Si une alimentation d'eau adoucie ne peut pas être évitée, s'assurer que l'adoucisseur d'eau fonctionne bien et qu'il est bien entretenu.
- Ne pas garder quoi que ce soit sur le dessus de la machine à glaçons ou dans le bac à glaçons.

CARACTÉRISTIQUES DU RÉFRIGÉRATEUR

Votre modèle peut comporter l'ensemble de ces caractéristiques ou certaines d'entre elles. Les caractéristiques qui peuvent être achetées séparément comme accessoires du produit comportent le mot "accessoire". Tous les accessoires ne conviennent pas à tous les modèles. Si vous désirez acheter l'un des accessoires, veuillez composer notre numéro d'appel sans frais sur la couverture ou dans la section "Assistance ou service".

Importants renseignements à savoir au sujet des tablettes et des couvercles en verre :

Ne pas nettoyer les tablettes ou couvercles en verre avec de l'eau tiède quand ils sont froids. Les tablettes et les couvercles peuvent se briser s'ils sont exposés à des changements soudains de température ou à un impact tel que coup brusque. Pour votre protection, le verre trempé est conçu pour éclater en d'innombrables pièces minuscules. Ceci est normal. Les tablettes et les couvercles en verre sont lourds. Un soin spécial s'impose lors de leur déplacement pour éviter l'impact d'une chute.

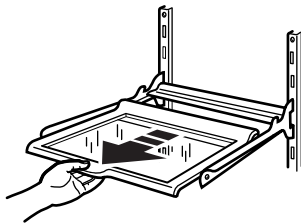
Tablettes du réfrigérateur

Les tablettes dans votre réfrigérateur peuvent être réglées pour correspondre à vos besoins de rangement individuels. Votre modèle peut être doté de tablettes en verre ou de clayettes.

Le remisage d'aliments semblables ensemble dans le réfrigérateur et le réglage des tablettes pour convenir à différentes hauteurs d'articles alimentaires et de contenants, permettront de trouver l'article désiré plus facilement et réduiront aussi le temps d'ouverture de la porte du réfrigérateur, ce qui économisera de l'énergie.

Tablettes coulissantes (sur certains modèles)

- Pour faire glisser la tablette vers l'extérieur, tirer la tablette soigneusement vers soi.
- Pour faire glisser la tablette vers l'intérieur, pousser la tablette jusqu'au fond.



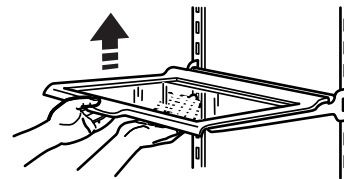
Pour enlever et réinstaller une tablette dans un cadre en métal :

1. Retirer la tablette jusqu'à la butée.
2. Incliner le devant de la tablette vers le haut et le soulever légèrement en tirant la tablette hors du cadre.
3. Réinstaller la tablette en la guidant dans les fentes sur le cadre et en la poussant au-delà de la butée.

Tablettes et cadres de tablette

Pour retirer et réinstaller un cadre/une tablette :

1. Retirer le cadre/la tablette en inclinant le devant vers le haut et en le soulevant hors des supports de tablette.
2. Réinstaller le cadre/la tablette en guidant les crochets arrière de la tablette dans les supports de tablette. Incliner le devant de la tablette vers le haut jusqu'à ce que les crochets arrière tombent dans les supports de tablette.
3. Abaisser le devant de la tablette et s'assurer que la tablette est fixée solidement en place.



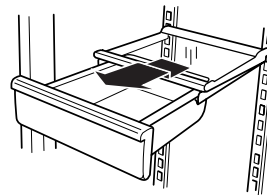
Tiroir à viande et couvercle (sur certains modèles)

Pour retirer et réinstaller le tiroir à viande :

1. Retirer le tiroir à viande en le glissant jusqu'à la butée. Soulever le devant du tiroir d'une main tout en soutenant le fond du tiroir de l'autre main. Faire glisser le tiroir complètement vers l'extérieur.
2. Réinstaller le tiroir à viande en le guidant dans les supports du couvercle et en le poussant jusqu'au fond.

Pour retirer et réinstaller le couvercle du tiroir à viande :

1. Retirer le tiroir à viande. Retirer le couvercle en inclinant le devant vers le haut et en le soulevant à l'arrière. Tirer le couvercle tout droit vers l'extérieur.
2. Réinstaller le couvercle en guidant les crochets arrière dans les supports de tablette. Incliner le couvercle à l'avant jusqu'à ce que les crochets arrière tombent dans les crans.
3. Abaisser le devant du couvercle en place et réinstaller le tiroir à viande.



Guide d'entreposage des viandes

La plupart des viandes peuvent être conservées dans leur emballage original tant que cet emballage est hermétique et à l'épreuve de l'humidité. Emballer de nouveau si nécessaire. Voir le tableau suivant pour les périodes de conservation. Si la viande doit être conservée pour une période plus longue que la durée donnée, faire congeler la viande.

Poissons, mollusques
ou crustacés frais utiliser le jour de l'achat

Poulet, boeuf haché, abats comestibles (foie) 1 à 2 jours

Charcuterie, steaks/rôtis 3 à 5 jours

Viandes traitées 7 à 10 jours

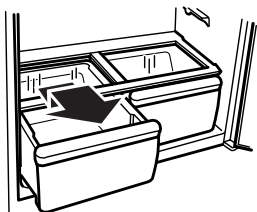
Les restes - Couvrir les restes avec de la pellicule en plastique ou du papier d'aluminium. Il est convenable aussi d'utiliser des contenants en plastique avec couvercles hermétiques.

Bac à légumes et couvercle

(sur certains modèles - Accessoire)

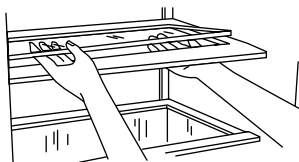
Pour retirer et réinstaller le(s) bac(s) à légumes :

1. Faire glisser le(s) bac(s) tout droit jusqu'à la butée. Soulever le devant du ou des bacs et glisser le reste du ou des bacs complètement vers l'extérieur.
2. Réinstaller le(s) bac(s) en les faisant glisser complètement au-delà de la butée.



Pour retirer le couvercle du ou des bacs :

1. Retirer le(s) bac(s).
2. En retenant fermement d'une main l'insertion en verre, pousser vers le haut au centre de l'insertion en verre jusqu'à ce qu'elle se soulève hors du cadre en plastique. Glisser avec précaution l'insertion en verre vers l'avant pour la retirer.
3. Soulever le cadre du couvercle et le retirer.



Pour réinstaller le couvercle du ou des bacs :

REMARQUE : Avant de réinstaller le couvercle, s'assurer que la barre de renforcement en U est réinstallée à l'avant du couvercle du bac.

1. Introduire l'arrière du cadre du couvercle dans les supports sur les parois latérales du réfrigérateur et abaisser le devant du cadre du couvercle en place.
2. Faire glisser l'arrière de l'insertion en verre dans le cadre du couvercle et abaisser le devant en place.

Réglage de l'humidité dans le bac à légumes

(sur certains modèles)

Ce réglage permet de contrôler le degré d'humidité dans les bacs à légumes étanches. La commande peut être réglée à n'importe quel réglage entre LOW et HIGH.

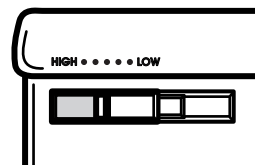
En position LOW (ouvert) le réglage laisse échapper l'air humide pour mieux conserver les fruits et légumes à pelures.

■ Fruits : Laver, laisser sécher et mettre au réfrigérateur dans un sac en plastique ou dans le bac à légumes. Ne pas laver ni équeuter les petits fruits avant le moment de leur utilisation. Les trier et les conserver dans l'emballage original dans le bac à légumes ou les conserver sur une tablette du réfrigérateur dans un sac fermé en papier sans être serré.

■ Légumes à pelures : Placer dans des sacs en plastique ou contenants en plastique et ranger dans le bac à légumes.

En position HIGH (fermé) le réglage permet de retenir l'humidité à l'intérieur du bac pour mieux conserver les légumes frais et les légumes à feuilles.

■ Légumes à feuilles : Laver à l'eau froide, égoutter et couper ou éliminer les sections endommagées et décolorées. Placer dans un sac ou un contenant en plastique et ranger dans le bac à légumes.

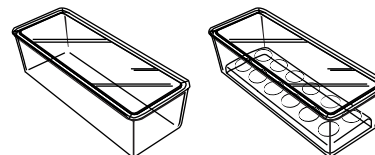


Casier utilitaire ou oeufrier

(sur certains modèles - Accessoire)

Selon le modèle que vous avez, vous pouvez avoir un oeufrier à une, deux ou trois pièces. Les oeufs peuvent être gardés dans l'oeufrier ou placés en vrac dans le casier.

REMARQUE : Les oeufs devraient être rangés dans un contenant couvert pour remisage à long terme. Si votre modèle ne comporte pas un d'oeufrier ou de casier utilitaire, ranger les oeufs dans le contenant original sur une tablette intérieure.



CARACTÉRISTIQUES DU CONGÉLATEUR

Votre modèle peut comporter l'ensemble de ces caractéristiques ou certaines d'entre elles. Les caractéristiques qui peuvent être achetées séparément comme accessoires du produit comportent le mot "accessoire". Tous les accessoires ne conviennent pas à tous les modèles. Si vous désirez acheter l'un des accessoires, veuillez composer notre numéro d'appel sans frais sur la couverture ou dans la section "Assistance ou service".

Paniers de congélateur

Enlever et réinstaller les paniers en broche :

Panier supérieur

1. Retirer tous les articles du panier. Enlever le panier en le tirant complètement et le soulever pour le sortir.
2. Réinstaller le panier en le glissant dans les rails moulés supérieurs. S'assurer que l'arrière du panier s'accroche derrière le taquet du rail.

Cloison du panier supérieur

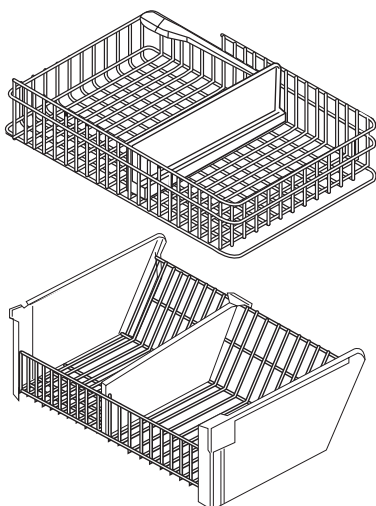
- La cloison du panier supérieur sépare la fabrication de glaçons du rangement des aliments congelés et empêche les glaçons de tomber derrière l'ensemble du panier.
- La cloison du panier inférieur est conçue pour ne pas être retirée et devrait rester dans le réfrigérateur.

Panier inférieur

1. Retirer tous les articles du panier. Retirer le panier en le soulevant des rails guides.
2. Réinstaller le panier en le plaçant dans les rails guides.

Cloison du panier inférieur

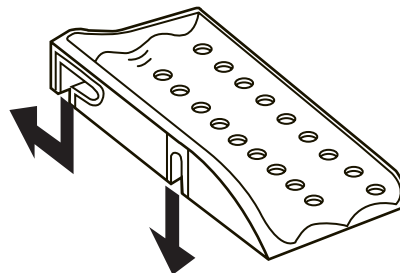
La cloison du panier inférieur est conçue pour ne pas être retirée et devrait rester dans le réfrigérateur.



Tablette à glaçons (sur certains modèles)

Pour installer et enlever la tablette à glaçons :

1. Faire glisser la rainure en L de la tablette vers le bas sur la vis de la paroi arrière. Pousser vers l'arrière jusqu'à ce que la vis soit bloquée dans la rainure en L.
2. Placer la rainure avant sur la vis de la paroi avant et pousser vers le bas jusqu'à ce que la tablette soit en place.
3. Pour l'enlever, inverser les étapes ci-dessus.



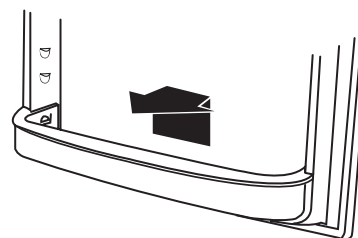
CARACTÉRISTIQUES DE LA PORTE

Votre modèle peut comporter l'ensemble de ces caractéristiques ou certaines d'entre elles. Les caractéristiques qui peuvent être achetées séparément comme accessoires du produit comportent le mot "accessoire". Tous les accessoires ne conviennent pas à tous les modèles. Si vous désirez acheter l'un des accessoires, veuillez composer notre numéro d'appel sans frais sur la couverture ou dans la section "Assistance ou service".

Dispositif de retenue de la porte

Pour enlever et réinstaller le dispositif de retenue de la porte :

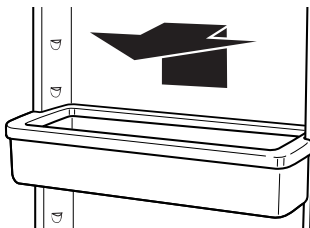
1. Enlever le dispositif de retenue en le soulevant et en le tirant tout droit pour le sortir.
2. Réinstaller le dispositif de retenue en le glissant en place au-dessus du support et en le poussant vers le bas jusqu'à ce qu'il s'arrête.



Balconnets dans la porte

Pour retirer et réinstaller les balconnets :

1. Retirer le balconnet en le soulevant et le tirant tout droit.
2. Réinstaller le balconnet en le glissant en place au-dessus du support désiré et en le poussant jusqu'à ce qu'il s'arrête.

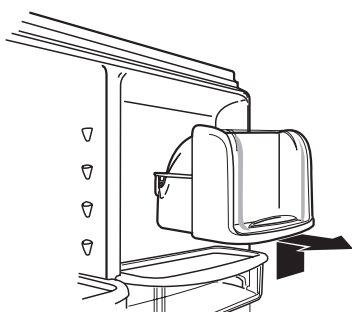


Compartiment utilitaire

(sur certains modèles)

Pour enlever et réinstaller le compartiment utilitaire :

1. Enlever le compartiment utilitaire en le soulevant et en le tirant tout droit.
2. Réinstaller le compartiment utilitaire en le glissant en place au-dessus du support désiré et en le poussant jusqu'à ce qu'il s'arrête.



ENTRETIEN DU RÉFRIGÉRATEUR

Nettoyage

⚠ AVERTISSEMENT



Risque d'explosion

Utiliser un produit de nettoyage ininflammable.

Le non-respect de cette instruction peut causer un décès, une explosion ou un incendie.

Les sections de réfrigération et de congélation se dégivrent automatiquement. Toutefois, nettoyer les deux sections au moins une fois par mois pour empêcher une accumulation d'odeurs. Essuyer les renversements immédiatement.

Pour nettoyer le réfrigérateur

1. Débrancher le réfrigérateur ou déconnecter la source de courant.
2. Retirer toutes les pièces amovibles de l'intérieur, telles que les tablettes, bacs, etc.
3. Laver à la main, rincer et sécher les pièces amovibles et les surfaces internes à fond. Utiliser une éponge propre ou un linge doux et un détergent doux dans de l'eau tiède.
 - Ne pas utiliser des nettoyants abrasifs tels que les nettoyants à vitre en atomiseurs, nettoyants à récurer, liquides inflammables, cires nettoyantes, détergents concentrés, eaux de Javel ou nettoyants contenant du pétrole sur les pièces en plastique, les garnitures intérieures, ou les joints de portes. Ne pas utiliser d'essuie-tout, tampons à récurer ou autre outil de nettoyage abrasif. Ces produits risquent d'égratigner ou d'endommager les matériaux.
 - Pour aider à éliminer les odeurs, on peut laver les parois intérieures avec un mélange d'eau tiède et de bicarbonate de soude (2 c. à soupe pour 1 pinte [26 g pour 0,95 L] d'eau).

- Laver les surfaces extérieures en acier inoxydable ou métalliques peintes avec une éponge propre ou un linge doux et un détergent doux dans de l'eau tiède. Ne pas utiliser de nettoyants abrasifs. Sécher à fond avec un linge doux. Pour mieux protéger les surfaces métalliques extérieures peintes contre les dommages, appliquer une cire pour appareil électroménager (ou cire en pâte pour automobile) avec un linge propre et doux. Ne pas cirer les surfaces en plastique.

REMARQUE : Pour conserver à votre réfrigérateur en acier inoxydable son aspect neuf et enlever les petites égratignures ou marques, il est suggéré d'utiliser le nettoyant et poli pour acier inoxydable approuvé par le fabricant.

IMPORTANT : Ce nettoyant est pour les pièces en acier inoxydable seulement!

Veiller à ce que le nettoyant et poli pour acier inoxydable n'entre pas en contact avec les pièces de plastique telles que garnitures, couvercles de distributeurs ou joints de porte. En cas de contact, nettoyer la pièce de plastique avec une éponge et un détergent doux et de l'eau tiède. Bien sécher avec un linge doux. Pour commander le nettoyant, voir la section "Accessoires".

- Le condenseur n'a pas besoin d'être nettoyé souvent dans des conditions de fonctionnement normales. Si l'environnement est particulièrement gras ou poussiéreux, ou s'il y a des animaux domestiques dans la maison, le condenseur devrait être nettoyé tous les deux ou trois mois pour assurer une efficacité maximum.

Si vous avez besoin de nettoyer le condenseur :

- Ôter la grille de la base (voir la section "Grille de la base" ou "Enlèvement de la porte").
- Utiliser un aspirateur à brosse douce pour nettoyer la grille, les endroits ouverts derrière la grille et la surface à l'avant du condenseur.
- Replacer la grille de la base lorsque vous avez terminé.

- Brancher le réfrigérateur ou reconnecter la source de courant.

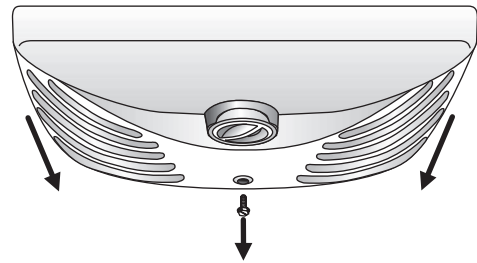
Remplacement de l'ampoule d'éclairage

REMARQUE : Votre réfrigérateur ne pourra pas accommoder toutes les ampoules pour les appareils ménagers. S'assurer de faire le remplacement par une ampoule de grosseur, de forme et de puissance semblables.

Remplacement de l'ampoule du compartiment de réfrigération

- Débrancher le réfrigérateur ou débrancher la source de courant électrique.
- Enlever la vis de l'écran de protection. Veiller à conserver la vis pour la réinstallation.

- Faire glisser l'écran de protection vers l'arrière du compartiment pour le libérer de l'ensemble d'éclairage.



- Remplacer la ou les ampoule(s) grillée(s) avec une ampoule électrique pour appareil ménager de pas plus de 40 watts.
- Réinstaller le couvercle de l'ampoule en insérant les onglets de protection dans les trous appropriés de chaque côté de l'ensemble d'éclairage. Faire glisser l'écran de protection vers l'avant de l'unité jusqu'à ce qu'il se verrouille en place.

REMARQUE : Ne pas forcer l'écran de protection au-delà du point de verrouillage; cela pourrait endommager l'écran de protection de la lumière.

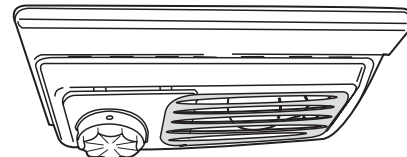
- Réinstaller la vis.
- Brancher le réfrigérateur ou reconnecter la source de courant électrique.

Remplacement de l'ampoule du compartiment de congélation

- Débrancher le réfrigérateur ou débrancher la source de courant électrique.

REMARQUE : On peut avoir besoin d'enlever la tablette ou le panier supérieur(e) du compartiment de congélation pour accéder à l'ensemble d'éclairage.

- Presser et tirer l'arrière du couvercle de l'écran de protection vers soi pour libérer les onglets et tirer vers le bas.



- Remplacer l'ampoule grillée avec une ampoule pour appareil ménager de pas plus de 40 watts.
- Insérer les onglets avant du couvercle dans les trous et enclencher la partie arrière sur l'ensemble d'éclairage.
- Brancher le réfrigérateur ou reconnecter la source de courant électrique.

Pannes de courant

Si le service doit être interrompu pendant 24 heures ou moins, garder les deux portes du réfrigérateur fermées pour aider les aliments à demeurer froids et congelés.

Si le service doit être interrompu pendant plus de 24 heures, faire l'une des choses suivantes :

- Retirer tous les aliments congelés et les entreposer dans un entrepôt frigorifique.
- Placer 2 lbs (907 g) de neige carbonique dans le congélateur pour chaque pied cube (28 L) d'espace de congélation. Ceci permettra de garder les aliments congelés durant deux à quatre jours.
- S'il n'y a pas d'entrepôt frigorifique ni de neige carbonique, consommer ou mettre immédiatement en conserve les aliments périssables.

À NOTER : Un congélateur plein restera froid plus longtemps qu'un congélateur partiellement rempli. Un congélateur plein de viande demeure froid plus longtemps qu'un congélateur rempli de pains et de pâtisseries. Si les aliments contiennent des cristaux de glace, ils peuvent être remis à congeler même si la qualité et la saveur risquent d'être affectées. Si les aliments semblent de piètre qualité, les jeter.

Entretien avant les vacances ou lors d'un déménagement

Vacances

Si vous choisissez de laisser le réfrigérateur en fonctionnement pendant votre absence :

1. Consommer tous les aliments périssables et congeler les autres articles.
2. Si votre réfrigérateur a une machine à glaçons automatique :
 - Soulever le bras de commande en broche à la position OFF (élevée) ou déplacer le commutateur à la position OFF (arrêt) à droite.
 - Fermer l'approvisionnement d'eau de la machine à glaçons.
3. Vider le bac à glaçons.

Si vous choisissez d'arrêter le fonctionnement du réfrigérateur avant votre absence :

1. Enlever tous les aliments du réfrigérateur.
2. Si votre réfrigérateur a une machine à glaçons automatique :
 - Fermer l'approvisionnement d'eau de la machine à glaçons au moins une journée à l'avance.
 - Lorsque la dernière quantité de glaçons est déposée, soulever le bras de commande en broche à la position OFF (élevée) ou déplacer le commutateur à la position OFF (arrêt) à droite.

3. Tourner la commande du thermostat (ou la commande du réfrigérateur, selon le modèle) à OFF. Voir la section "Utilisation des commandes".
4. Nettoyer le réfrigérateur, l'essuyer et bien le sécher.
5. À l'aide d'un ruban adhésif, placer des blocs de caoutchouc ou de bois dans la partie supérieure de chaque porte de façon à ce qu'elles soient suffisamment ouvertes pour permettre l'entrée de l'air à l'intérieur, afin d'éviter l'accumulation d'odeur ou de moisissure.

Déménagement

Lorsque vous déménagez votre réfrigérateur à une nouvelle habitation, suivre ces étapes pour préparer le déménagement.

1. Si votre réfrigérateur a une machine à glaçons automatique :
 - Fermer l'approvisionnement d'eau de la machine à glaçons au moins une journée à l'avance.
 - Débrancher la canalisation d'eau de l'arrière du réfrigérateur.
 - Lorsque la dernière quantité de glaçons est déposée, soulever le bras de commande en broche à la position OFF (élevée) ou déplacer le commutateur à la position OFF (arrêt) à droite.
2. Retirer tous les aliments du réfrigérateur et placer tous les aliments congelés dans de la neige carbonique.
3. Vider le bac à glaçons.
4. Tourner la commande du thermostat (ou la commande du réfrigérateur, selon le modèle) à OFF (arrêt). Voir la section "Utilisation des commandes".
5. Débrancher le réfrigérateur.
6. Vider l'eau du plat de dégivrage.
7. Nettoyer, essuyer et sécher à fond.
8. Retirer toutes les pièces amovibles, bien les envelopper et les attacher ensemble à l'aide de ruban adhésif pour qu'elles ne bougent pas ni ne s'entrechoquent durant le déménagement.
9. Selon le modèle, soulever le devant du réfrigérateur pour qu'il roule plus facilement OU visser les pieds de nivellement pour qu'ils n'égratignent pas le plancher. Voir la section "Fermeture des portes" ou "Nivellement du réfrigérateur".
10. Fermer les portes à l'aide de ruban adhésif et fixer le cordon d'alimentation à la caisse du réfrigérateur.

Lorsque vous arriverez à votre nouvelle habitation, remettre tout en place et consulter la section "Installation du réfrigérateur" pour les instructions de préparation. Aussi, si votre réfrigérateur a une machine à glaçons automatique, rappelez-vous de rebrancher l'approvisionnement d'eau au réfrigérateur.

DÉPANNAGE

Essayer les solutions suggérées ici en premier afin d'éviter les coûts d'une visite de service inutile.

Le réfrigérateur ne fonctionne pas

- **Le cordon d'alimentation électrique est-il débranché?**
Brancher sur une prise à 3 alvéoles reliée à la terre.
- **Un fusible est-il grillé ou le disjoncteur s'est-il déclenché?**
Remplacer le fusible ou réenclencher le disjoncteur.
- **Le réglage du réfrigérateur est-il à la position OFF (arrêt)?**
Voir la section "Utilisation des commandes".
- **Le réfrigérateur est-il en train de se dégivrer?** Vérifier pour voir si le réfrigérateur fonctionne au bout de 30 minutes. Le réfrigérateur exécutera régulièrement un programme automatique de dégivrage.

Les ampoules n'éclairent pas

- **Le cordon d'alimentation électrique est-il débranché?**
Brancher sur une prise à 3 alvéoles reliée à la terre.
- **Une ampoule d'éclairage est-elle desserrée dans la douille?** Tourner le réglage du réfrigérateur à OFF (arrêt). Débrancher le réfrigérateur de la source d'alimentation électrique. Enlever délicatement l'ampoule et la réinsérer. Ensuite rebrancher le réfrigérateur à la source d'alimentation électrique et faire de nouveau le réglage du réfrigérateur.
- **Une ampoule est-elle grillée?** Remplacer par une ampoule d'appareil électroménager de tension, de grosseur et de format similaires. Voir la section "Remplacement de l'ampoule d'éclairage".

Le plat de dégivrage contient de l'eau

- **Le réfrigérateur est-il en train de se dégivrer?** L'eau s'évaporera. C'est normal que l'eau dégoutte dans le plat de dégivrage.
- **Y a-t-il plus d'humidité que d'habitude?** Prévoir que l'eau dans le plat de dégivrage prend plus de temps à s'évaporer. Ceci est normal quand il fait chaud ou humide.

Le moteur semble fonctionner excessivement

- **La température ambiante est-elle plus chaude que d'habitude?** Prévoir que le moteur fonctionnera plus longtemps dans des conditions de chaleur. Pour des températures ambiantes normales, prévoir que le moteur fonctionne environ 40% à 80% du temps. Dans des conditions plus chaudes, prévoir un fonctionnement encore plus fréquent.
- **Vient-on d'ajouter une grande quantité d'aliments au réfrigérateur?** L'addition d'une grande quantité d'aliments réchauffe le réfrigérateur. Il est normal que le moteur fonctionne plus longtemps afin de refroidir de nouveau le réfrigérateur. Voir la section "Caractéristiques du réfrigérateur".
- **Les portes sont-elles ouvertes fréquemment?** Prévoir que le moteur fonctionnera plus longtemps dans ce cas. Afin de conserver l'énergie, essayer de sortir tout ce dont vous avez besoin du réfrigérateur à la fois, garder les aliments organisés de sorte qu'ils sont faciles à trouver et fermer la porte dès que les aliments sont retirés.

- **Les réglages sont-ils faits correctement pour les conditions ambiantes?** Voir la section "Utilisation des commandes".
- **Les portes sont-elles complètement fermées?** Pousser les portes pour qu'elles soient bien fermées. Si les portes ne ferment pas complètement, voir "Les portes ne se ferment pas complètement" plus loin dans cette section.
- **Les serpentins du condenseur sont-ils sales?** Cette situation empêche le transfert de l'air et fait travailler davantage le moteur. Nettoyer les serpentins du condenseur. Voir la section "Nettoyage".

REMARQUE : Votre réfrigérateur neuf fonctionnera plus longtemps que l'ancien appareil du fait de son moteur très efficace.

Le réfrigérateur semble faire trop de bruit

- **Les sons peuvent être normaux pour votre réfrigérateur.**
Voir la section "Sons normaux".

La machine à glaçons ne produit pas de glaçons (sur certains modèles)

- **La température du congélateur est-elle assez froide pour produire des glaçons?** Attendre 24 heures après le branchement pour la production de glaçons. Voir la section "Utilisation des commandes".
- **Le levier de la machine à glaçons est-il en position OFF (élevée)?** Abaisser le bras de commande en broche à la position ON (abaissée). Voir la section "Machine à glaçons".
- **La valve de la canalisation d'eau reliée au réfrigérateur est-elle ouverte?** Ouvrir la valve d'eau. Voir la section "Raccordement du réfrigérateur à une canalisation d'eau".
- **Un glaçon est-il coincé dans le bras éjecteur?** Enlever le glaçon du bras éjecteur avec un ustensile en plastique. Voir la section "Machine à glaçons".
- **Y a-t-il de l'eau dans le moule de la machine à glaçons ou ne produit-elle pas de glaçons?** Vérifier pour voir si le réfrigérateur a été branché à la canalisation d'eau de votre domicile, et si le robinet d'arrêt de la canalisation est ouvert. Voir la section "Raccordement du réfrigérateur à une canalisation d'eau".

REMARQUE : Si cette situation n'est pas attribuable à ce qui précède, il peut exister un problème avec la canalisation d'eau. Faire un appel de service.

La machine à glaçons produit trop peu de glaçons (sur certains modèles)

- **La machine à glaçons vient-elle juste d'être installée?**
Attendre 72 heures pour le commencement de la production complète de glaçons. Une fois que le réfrigérateur a refroidi, la machine à glaçons devrait commencer à produire 70 à 120 glaçons à toutes les 24 heures.
- **Une grande quantité de glaçons vient-elle d'être enlevée?**
Attendre 24 heures pour que la machine à glaçons produise plus de glaçons.
- **Les réglages sont-ils faits correctement?** Voir la section "Utilisation des commandes".

- **Le robinet d'eau est-il complètement ouvert?** Ouvrir complètement le robinet. Voir la section "Raccordement du réfrigérateur à une canalisation d'eau".
- **Un filtre à eau est-il installé sur le réfrigérateur?** Le filtre peut être obstrué ou installé incorrectement. Vérifier d'abord les instructions d'installation du filtre pour s'assurer que le filtre a été bien installé et qu'il n'est pas obstrué. Si l'installation ou l'obstruction n'est pas le problème, téléphoner à une personne qualifiée ou un technicien.

Mauvais goût ou couleur grisâtre des glaçons (sur certains modèles)

- **Les raccords de plomberie sont-ils neufs et causent-ils une décoloration et un mauvais goût des glaçons?** Jeter les premières quantités de glaçons.
- **Les glaçons ont-ils été gardés trop longtemps?** Jeter les vieux glaçons et en faire une nouvelle provision.
- **Les aliments dans le réfrigérateur ont-ils été bien emballés?** Voir la section "Caractéristiques du réfrigérateur".
- **Le congélateur et le bac à glaçons ont-ils besoin d'être nettoyés?** Voir la section "Nettoyage".
- **L'eau contient-elle des minéraux (tels que le soufre)?** L'installation d'un filtre peut être requise afin d'enlever les minéraux.

La cloison entre les deux sections est tiède

La température tiède est probablement attribuable à un fonctionnement normal du réglage automatique de l'humidité de l'extérieur. En cas de doute, faire un appel de service.

La température est trop tiède

- **Les ouvertures d'aération sont-elles bloquées dans une section ou l'autre?** Cette obstruction empêche le mouvement de l'air froid du congélateur au réfrigérateur. Enlever tous les objets placés en avant des ouvertures d'aération. Consulter "Pour s'assurer d'une circulation d'air appropriée" pour l'emplacement des ouvertures d'aération.
- **La ou les portes sont-elles ouvertes souvent?** Prévoir que le réfrigérateur deviendra tiède dans ce cas. Pour garder le réfrigérateur froid, essayer de sortir tout ce dont vous avez besoin du réfrigérateur à la fois, garder les aliments bien rangés de sorte qu'il soit facile de les trouver et fermer la porte dès que les aliments sont retirés.
- **Vient-on d'ajouter une grande quantité d'aliments au réfrigérateur ou au congélateur?** L'addition d'une grande quantité d'aliments réchauffe le réfrigérateur. Plusieurs heures peuvent être nécessaires pour que le réfrigérateur revienne à la température normale.
- **Les réglages sont-ils faits correctement pour les conditions ambiantes?** Voir la section "Utilisation des commandes".

Il existe une accumulation d'humidité à l'intérieur

- **Les ouvertures de circulation d'air sont-elles obstruées dans le réfrigérateur?** Enlever tous les objets devant les ouvertures d'aération. Consulter "Pour s'assurer d'une circulation d'air appropriée" pour l'emplacement des ouvertures d'aération.
- **La ou les portes sont-elles souvent ouvertes?** Pour éviter l'accumulation d'humidité, essayer de retirer rapidement tout ce dont vous avez besoin du réfrigérateur, garder les aliments rangés de sorte qu'il soit facile de les trouver et fermer la porte dès que les aliments sont retirés. (Lorsque la porte est ouverte, l'humidité de l'air extérieur pénètre dans le réfrigérateur. Le plus souvent la porte est ouverte, le plus rapidement l'humidité s'accumule, surtout lorsque la pièce est très humide).
- **La pièce est-elle humide?** Il est normal pour l'humidité de s'accumuler à l'intérieur du réfrigérateur lorsque l'air de l'extérieur est humide.
- **Les aliments sont-ils bien emballés?** Vérifier que tous les aliments sont bien emballés. Essuyer les contenants humides d'aliments avant de les placer au réfrigérateur.
- **Les réglages sont-ils faits correctement pour les conditions ambiantes?** Voir la section "Utilisation des commandes".
- **Un programme autodégivreur vient-il de se terminer?** Il est normal que des gouttelettes se forment sur la paroi arrière après que le réfrigérateur se dégivre automatiquement.

Les portes sont difficiles à ouvrir

- **Les joints sont-ils sales ou collants?** Nettoyer les joints et la surface. Frotter en appliquant une couche très mince de cire de paraffine sur les joints à la suite d'un nettoyage.

Les portes ne se ferment pas complètement

- **Les aliments emballés empêchent-ils la porte de fermer?** Réorganiser les contenants de sorte qu'ils soient plus rapprochés et prennent moins d'espace.
- **Le bac à glaçons est-il en bonne position?** Pousser le bac à glaçons jusqu'au fond.
- **Les couvercles du bac à légumes, plats, tablettes, bacs ou paniers sont-ils en bonne position?** Placer le couvercle du bac à légumes et tous les plats, tablettes, bacs et paniers à la position correcte. Voir plus de renseignements à la section "Caractéristiques du réfrigérateur".
- **Les joints collent-ils?** Nettoyer les joints et la surface. Frotter en appliquant une couche très mince de cire de paraffine sur les joints à la suite d'un nettoyage.
- **Le réfrigérateur branle-t-il ou semble-t-il instable?** Nivelier le réfrigérateur. Consulter la section "Fermeture et alignement des portes".
- **Les portes ont-elles été enlevées durant l'installation de l'appareil et mal réinstallées?** Enlever et replacer les portes en suivant la section "Inversion du sens d'ouverture des portes" ou téléphoner à un technicien qualifié.

ASSISTANCE OU SERVICE

Avant de demander une assistance ou un service, veuillez vérifier la section "Dépannage". Cette vérification peut vous faire économiser le coût d'une visite de réparation. Si vous avez encore besoin d'aide, suivre les instructions ci-dessous.

Lors d'un appel, veuillez connaître la date d'achat et les numéros au complet de modèle et de série de votre appareil. Ces renseignements nous aideront à mieux répondre à votre demande.

Si vous avez besoin de pièces de rechange

Si vous avez besoin de commander des pièces de rechange, nous vous recommandons d'utiliser seulement des pièces de rechange d'origine. Les pièces de rechange d'origine conviendront et fonctionneront bien parce qu'elles sont fabriquées selon les mêmes spécifications précises utilisées pour construire chaque nouvel appareil KITCHENAID®.

Pour localiser des pièces de rechange d'origine dans votre région, téléphoner à notre Centre d'interaction avec la clientèle ou au centre de service désigné le plus proche.

Téléphoner sans frais au Centre d'interaction avec la clientèle de KitchenAid Canada au :

1-800-461-5681 Du lundi au vendredi - de 8 h 00 à 18 h 00 (HNE). Samedi - de 8 h 30 à 16 h 30 (HNE).

Nos consultants fournissent l'assistance pour :

- Caractéristiques et spécifications à notre gamme complète d'appareils électroménagers.
- Les références aux concessionnaires locaux.

Pour service au Canada

Composer le **1-800-807-6777**. Les techniciens de service désignés par KitchenAid Canada sont formés pour remplir la garantie des produits et fournir un service après la garantie partout au Canada.

Pour plus d'assistance

Si vous avez besoin de plus d'assistance, vous pouvez écrire à KitchenAid Canada en soumettant toute question ou tout problème à :

KitchenAid Canada
Customer Interaction Center
1901 Minnesota Court
Mississauga, Ontario L5N 3A7

Dans votre correspondance, veuillez indiquer un numéro de téléphone où on peut vous joindre dans la journée.

Accessoires

Pour commander des accessoires, composer le **1-800-442-9991** et demander le numéro de pièce approprié ci-dessous ou contacter votre marchand KitchenAid autorisé. Au Canada, composer le **1-800-807-6777**.

Nettoyant et poli pour acier inoxydable

Commander le n° de pièce 4396095

GARANTIE DU RÉFRIGÉRATEUR KITCHENAID®

GARANTIE COMPLÈTE DE UN AN SUR LE RÉFRIGÉRATEUR

Pour une période de un an à partir de la date d'achat, lorsque ce réfrigérateur (à l'exclusion du filtre à eau) est utilisé et entretenu conformément aux instructions fournies avec le produit, KitchenAid paiera pour les pièces de rechange spécifiées par l'usine et les frais de réparation pour corriger les vices de matériaux ou de fabrication. Les travaux doivent être effectués par une compagnie de service désignée par KitchenAid.

Sur les modèles avec filtre à eau : garantie limitée de 30 jours du filtre à eau. Pour une période de 30 jours à partir de la date d'achat, lorsque ce filtre est utilisé et entretenu conformément aux instructions fournies avec le produit, KitchenAid paiera pour les pièces de rechange pour corriger les vices de matériaux ou de fabrication.

GARANTIE COMPLÈTE DE LA DEUXIÈME À LA CINQUIÈME ANNÉE INCLUSIVEMENT SUR LA GARNITURE DE LA CAVITÉ INTÉRIEURE ET SUR LES PIÈCES DU SYSTÈME DE RÉFRIGÉRATION SCÉLLÉ TEL QU'INDIQUÉ

De la deuxième à la cinquième année inclusivement à partir de la date d'achat, lorsque ce réfrigérateur est utilisé et entretenu conformément aux instructions fournies avec le produit, KitchenAid paiera pour le remplacement et la réparation de la garniture de la cavité intérieure du réfrigérateur/congélateur (y compris les frais de réparation) si la cavité intérieure se fend par suite de vices de matériaux ou de fabrication. Les travaux doivent être effectués par une compagnie de service désignée par KitchenAid.

Aussi, de la deuxième à la cinquième année inclusivement à partir de la date d'achat, KitchenAid paiera pour les pièces de rechange spécifiées par l'usine et les frais de réparation pour corriger les vices de matériaux ou de fabrication dans le système de réfrigération scellé. Ces pièces sont : le compresseur, l'évaporateur, le condenseur, le dispositif de séchage et les tubes de raccord. Les travaux doivent être effectués par une compagnie de service désignée par KitchenAid.

GARANTIE LIMITÉE DE LA SIXIÈME À LA DIXIÈME ANNÉE INCLUSIVEMENT SUR LES PIÈCES ÉNUMÉRÉES DU SYSTÈME DE RÉFRIGÉRATION SCÉLLÉ

De la sixième à la dixième année inclusivement à partir de la date d'achat, lorsque ce réfrigérateur est utilisé et entretenu conformément aux instructions fournies avec le produit, KitchenAid paiera pour les pièces de rechange spécifiées par l'usine pour corriger les vices de matériaux ou de fabrication dans le système de réfrigération scellé. Ces pièces sont : le compresseur, l'évaporateur, le condenseur, le dispositif de séchage et les tubes de raccord.

KitchenAid ne paiera pas pour :

1. Les visites de service pour rectifier l'installation du réfrigérateur, montrer à l'utilisateur comment utiliser le réfrigérateur ou remplacer des fusibles, rectifier le câblage électrique ou la plomberie du domicile, remplacer des ampoules électriques, ou les filtres à eau de rechange sauf ce qui est indiqué ci-dessus.
2. Les réparations lorsque le réfrigérateur est utilisé à des fins autres qu'un usage unifamilial normal.
3. La prise en charge et la livraison du réfrigérateur. Le réfrigérateur est conçu pour être réparé à domicile.
4. Les dommages causés par : accident, modification, mésusage, abus, incendie, inondation, mauvaise installation, actes de Dieu, ou l'utilisation de produits non approuvés par KitchenAid ou KitchenAid Canada.
5. Toute perte d'aliments attribuable à une malfunction du produit.
6. Les réparations de pièces ou systèmes attribuables à des modifications non autorisées de l'appareil ménager.
7. Les pièces de rechange ou les frais de réparation des appareils utilisés à l'extérieur du Canada ou des États-Unis.
8. Au Canada, les frais de déplacement ou de transport pour les clients qui habitent dans des régions éloignées.
9. Les frais de main-d'oeuvre durant les périodes des garanties limitées.

KITCHENAID ET KITCHENAID CANADA DÉCLINENT TOUTE RESPONSABILITÉ AU TITRE DE DOMMAGES SECONDAIRES OU INDIRECTS.

Certains États ou provinces peuvent ne pas admettre l'exclusion ou la limitation des dommages secondaires ou indirects; par conséquent, l'exclusion ou la limitation mentionnée ci-dessus peut ne pas s'appliquer dans votre cas. Cette garantie vous confère des droits juridiques spécifiques; vous pouvez également jouir d'autres droits, variables d'un État à un autre ou d'une province à une autre.

À l'extérieur du Canada et des 50 États des États-Unis, cette garantie ne s'applique pas. Contacter votre marchand KitchenAid autorisé pour déterminer si une autre garantie s'applique.

Si vous avez besoin de service, consulter d'abord la section "Dépannage" dans ce manuel. Après avoir vérifié la section "Dépannage", une aide additionnelle peut être trouvée en vérifiant la section "Assistance ou Service" ou en téléphonant au Centre d'interaction avec la clientèle KitchenAid au **1-800-422-1230** (sans frais), de n'importe où aux É.-U. Au Canada, contacter votre compagnie de service autorisée par KitchenAid Canada ou téléphoner au **1-800-807-6777**.

2/02

Conserver ce manuel et le reçu de vente ensemble pour référence ultérieure. Il faut fournir une preuve d'achat ou de date d'installation pour le service au titre de la garantie.

Veuillez noter les renseignements suivants à propos du réfrigérateur pour mieux obtenir assistance ou service en cas de besoin. Vous devriez connaître les numéros de modèle et de série complets. Vous pouvez trouver cette information sur la plaque signalétique sur la paroi interne du compartiment de réfrigération.

Nom du marchand _____

Adresse _____

Numéro de téléphone _____

Numéro de modèle _____

Numéro de série _____

Date d'achat _____

12642708SP/2225033A

© 2002. All rights reserved.
Tous droits réservés.

® Registered Trademark/TM Trademark of KitchenAid, U.S.A., KitchenAid Canada licensee in Canada
® Marque déposée/TM Marque de commerce de KitchenAid, U.S.A., Emploi licencié par KitchenAid Canada au Canada

1/03
Printed in U.S.A.
Imprimé aux É.-U.

Free Manuals Download Website

<http://myh66.com>

<http://usermanuals.us>

<http://www.somanuals.com>

<http://www.4manuals.cc>

<http://www.manual-lib.com>

<http://www.404manual.com>

<http://www.luxmanual.com>

<http://aubethermostatmanual.com>

Golf course search by state

<http://golfingnear.com>

Email search by domain

<http://emailbydomain.com>

Auto manuals search

<http://auto.somanuals.com>

TV manuals search

<http://tv.somanuals.com>