

KitchenAid®

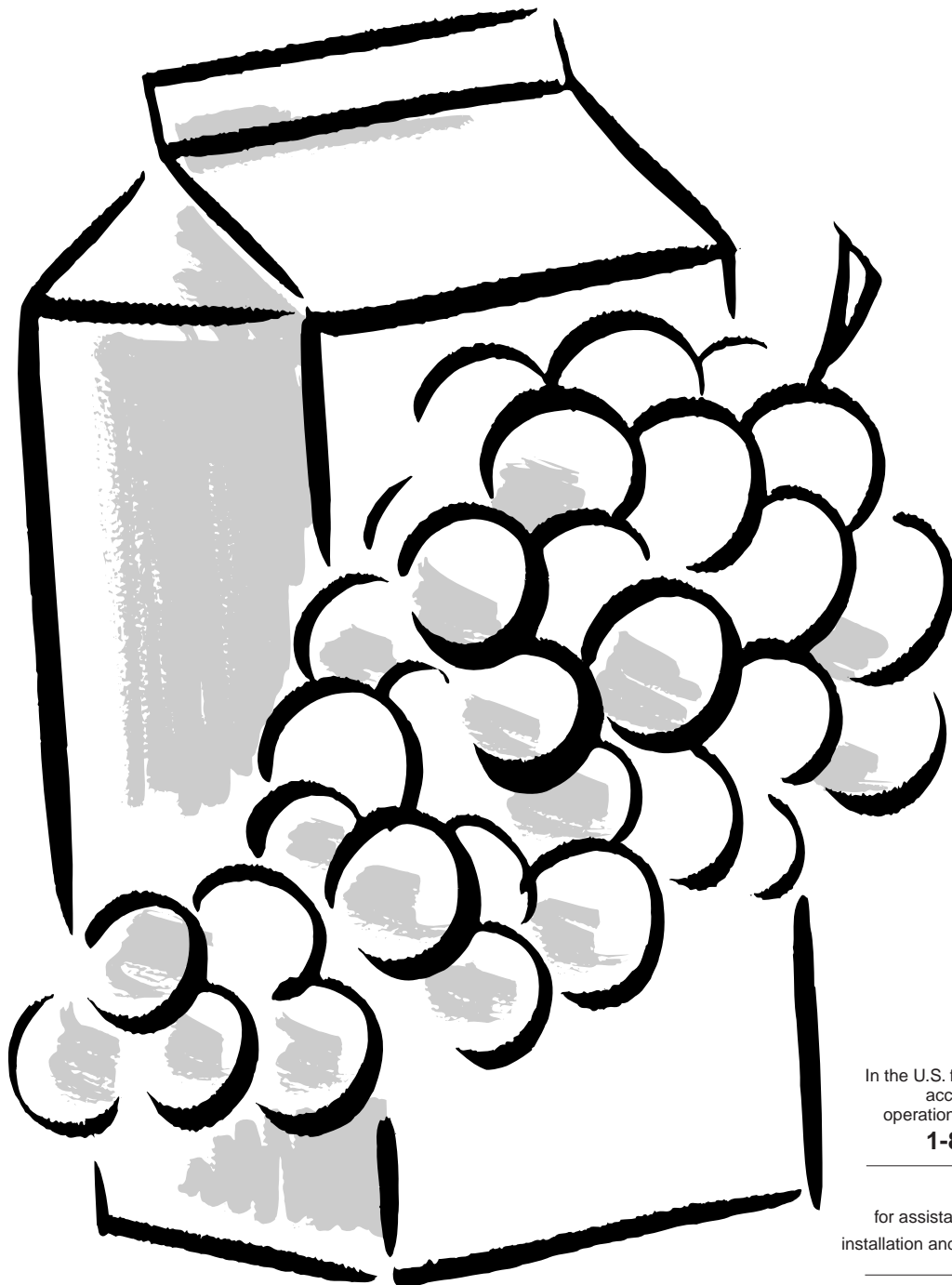
SIDE BY SIDE REFRIGERATOR

Use & Care Guide

RÉFRIGÉRATEUR CÔTE À CÔTE

Guide d'utilisation et d'entretien

Table of Contents/Table des matières.....2



In the U.S. for questions about features,
accessories or service,
operation/performance, parts, call:
1-800-422-1230

In Canada, call:
for assistance **1-800-461-5681**
installation and service **1-800-807-6777**

or visit our website at...

www.kitchenaid.com

2200139A

TABLE OF CONTENTS

REFRIGERATOR SAFETY	3
PARTS AND FEATURES	4
INSTALLING YOUR REFRIGERATOR	5
Unpacking Your Refrigerator	5
Space Requirements	5
Electrical Requirements	6
Removing the Doors	6
Water System Preparation	7
Connecting the Refrigerator to a Water Source	8
Factory Trim Kit	9
Base Grille	11
Door Closing	11
Understanding Sounds You May Hear	12
USING YOUR REFRIGERATOR	12
Ensuring Proper Air Circulation	12
Setting the Controls	13
Adjusting Control Settings	13
Food Storage Guide	14
REFRIGERATOR FEATURES	15
Ice Maker Storage Bin	15
Water and Ice Dispensers	16
Water Filtration and Monitoring System	17
Refrigerator Shelves	18
Deli Drawer	19
Convertible Vegetable/Meat Drawer and Cover	19
Convertible Vegetable/Meat Drawer	
Temperature Control	20
Crisper and Crisper Cover	20
Crisper Humidity Control	20
Door Rails	21
Door Accessories	21
Freezer Shelf	22
Freezer Basket	22
CARING FOR YOUR REFRIGERATOR	22
Cleaning Your Refrigerator	22
Changing the Light Bulbs	23
Power Interruptions	24
Vacation and Moving Care	24
TROUBLESHOOTING	25
ASSISTANCE OR SERVICE	29
WARRANTY	30
WATER FILTER CERTIFICATIONS	31

TABLE DES MATIÈRES

SÉCURITÉ DU RÉFRIGÉRATEUR	33
PIÈCES ET CARACTÉRISTIQUES	34
INSTALLATION DU RÉFRIGÉRATEUR	35
Déballage de votre réfrigérateur	35
Espace requis	35
Spécifications électriques	36
Enlèvement des portes	36
Préparation du système d'eau	37
Raccordement du réfrigérateur	
à une canalisation d'eau	38
Ensembles décoratifs de l'usine	40
Grille de la base	41
Fermeture des portes	42
Les bruits de l'appareil que vous pouvez entendre	42
UTILISATION DU RÉFRIGÉRATEUR	43
Pour s'assurer d'une circulation d'air appropriée	43
Réglage des commandes	43
Ajustement des réglages de contrôle	44
Guide d'entreposage des aliments	44
CARACTÉRISTIQUES DU RÉFRIGÉRATEUR	46
Bac d'entreposage de la machine à glaçons	46
Distributeurs d'eau et de glaçons	46
Système de filtration	
et de contrôle d'eau	48
Tablettes du réfrigérateur	49
Casier pour petits aliments	50
Tiroir et couvercle convertibles	
pour légumes/viande	50
Réglage de la température	
du tiroir convertible à légumes/viande	51
Bac à légumes et couvercle	51
Réglage de l'humidité dans les bacs à légumes	52
Tringles dans la porte	52
Accessoires de porte	52
Clayette de congélateur	53
Panier du congélateur	53
ENTRETIEN DE VOTRE RÉFRIGÉRATEUR	53
Nettoyage du réfrigérateur	53
Remplacement des ampoules d'éclairage	54
Pannes de courant	55
Entretien avant les vacances	
ou lors d'un déménagement	56
DÉPANNAGE	57
ASSISTANCE OU SERVICE	61
GARANTIE	62
CERTIFICATIONS DE FILTRE À EAU	63

REFRIGERATOR SAFETY

Your safety and the safety of others is very important.

We have provided many important safety messages in this manual and on your appliance. Always read and obey all safety messages.



This is the safety alert symbol.

This symbol alerts you to hazards that can kill or hurt you and others.

All safety messages will be preceded by the safety alert symbol and the word "DANGER" or "WARNING." These words mean:

 **DANGER**

You will be killed or seriously injured if you don't follow instructions.

 **WARNING**

You can be killed or seriously injured if you don't follow instructions.

All safety messages will identify the hazard, tell you how to reduce the chance of injury, and tell you what can happen if the instructions are not followed.

IMPORTANT SAFETY INSTRUCTIONS

WARNING: To reduce the risk of fire, electric shock, or injury when using your refrigerator, follow these basic precautions:

- Plug into a grounded 3 prong outlet.
- Do not remove ground prong.
- Do not use an adapter.
- Do not use an extension cord.
- Disconnect power before servicing.
- Replace all panels before operating.
- Remove doors from your old refrigerator.
- Use nonflammable cleaner.
- Keep flammable materials and vapors, such as gasoline, away from refrigerator.
- Use two or more people to move and install refrigerator.
- Disconnect power before installing ice maker.
- Use a sturdy glass when dispensing ice or water (on some models).

SAVE THESE INSTRUCTIONS

Proper Disposal of Your Old Refrigerator

 **WARNING**

Suffocation Hazard

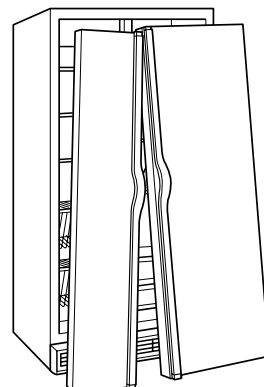
Remove doors from your old refrigerator.

Failure to do so can result in death or brain damage.

IMPORTANT – Child entrapment and suffocation are not problems of the past. Junked or abandoned refrigerators are still dangerous – even if they will sit for "just a few days." If you are getting rid of your old refrigerator, please follow these instructions to help prevent accidents.

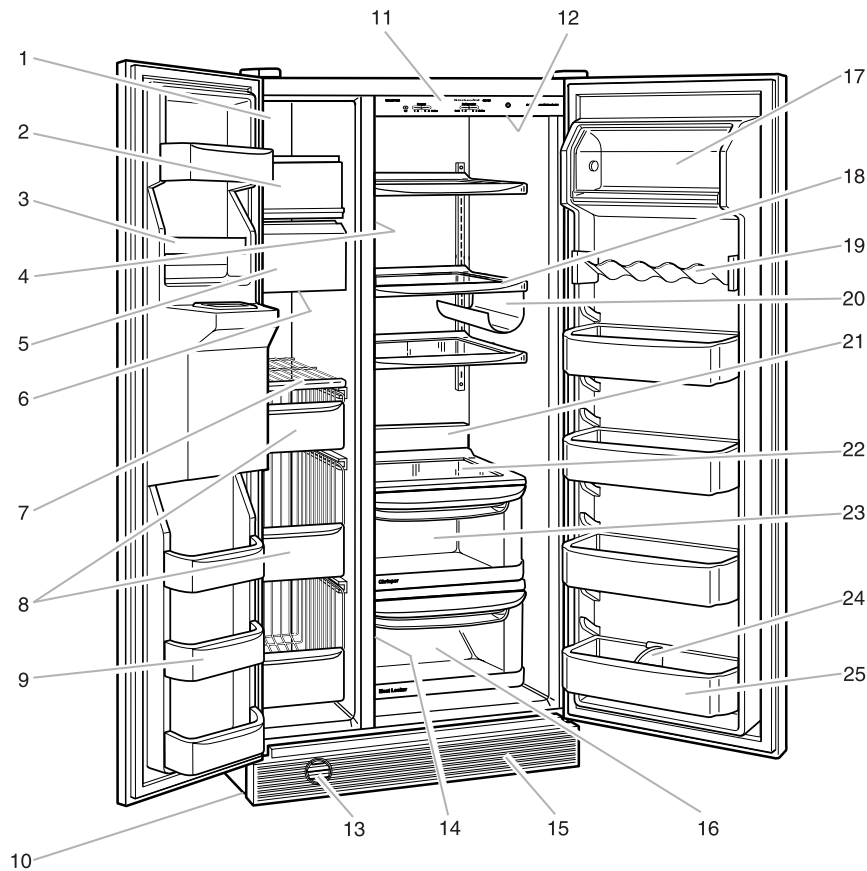
Before you throw away your old refrigerator or freezer:

- Take off the doors.
- Leave the shelves in place so that children may not easily climb inside.



PARTS AND FEATURES

This manual covers several different models. The refrigerator you have purchased may have some or all of the items listed. The locations of the features may not match your model.



1. Upper Freezer Light
2. Automatic Ice Maker (on some models)
3. Drop-in Door Rails
4. Model and Serial Number Label (on side wall)
5. Ice Maker Storage Bin (on some models)
6. Freezer Light (below Ice Maker Storage Bin)
7. Removable Freezer Shelf
8. Slide-out Freezer Baskets (number varies with model)
9. Snap-on Door Rails
10. Leveling Rollers (behind base grille)
11. Control Panel
12. Light
13. (AQUASENSE™) Water Filtration System (on some models)
14. (FRESH CHILL™) Convertible Vegetable/Meat Drawer Temperature Control (on side wall)
15. Base Grille
16. (FRESH CHILL™) Convertible Vegetable/Meat Drawer with cover
17. Utility Compartment
18. (ROLLER TRAC™ SPILLCLEAN™) Shelves
19. Can Rack (number varies with model)
20. Wine Rack
21. Crisper Light
22. Crisper Cover with Humidity Control
23. Crisper Drawer
24. Door Bin with Stor-Lock
25. (SLIDE 'N' LOCK™) Door Bins (on some models)

Other parts and features

(not shown in illustration above/optional on some models)

Ice cube trays

Crisper humidity control

Egg/utility bin

INSTALLING YOUR REFRIGERATOR

Unpacking Your Refrigerator

⚠️ WARNING

Excessive Weight Hazard

Use two or more people to move and install refrigerator.

Failure to do so can result in back or other injury.

Removing packaging materials

- Remove tape and any labels from your refrigerator before using (except the model and serial number label).

To remove any remaining tape or glue, rub the area briskly with your thumb. Tape or glue residue can also be easily removed by rubbing a small amount of liquid dish soap over the adhesive with your fingers. Wipe with warm water and dry.

- Do not use sharp instruments, rubbing alcohol, flammable fluids, or abrasive cleaners to remove tape or glue. These products can damage the surface of your refrigerator. For more information, see the "Important Safety Instructions" section.

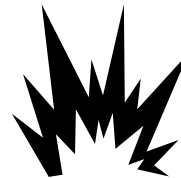
IMPORTANT: Do not remove any permanent instruction labels inside your refrigerator, or the Tech Sheet that is fastened to the base grille.

Cleaning before use

After you remove all of the packaging materials, clean the inside of your refrigerator before using it. See the cleaning instructions in the "Caring for your Refrigerator" section.

Space Requirements

⚠️ WARNING

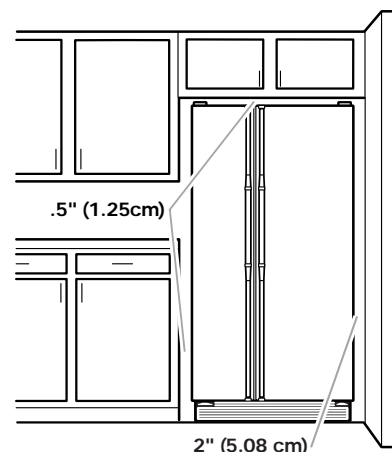


Explosion Hazard

Keep flammable materials and vapors, such as gasoline, away from refrigerator.

Failure to do so can result in death, explosion, or fire.

- To ensure proper ventilation for your refrigerator, allow for .5" (1.25 cm) space on each side and at the top.



- If your refrigerator has an ice maker, make sure you leave some extra space at the back for the water line connections. The refrigerator can be flush against the back wall if you do not have an ice maker installed.
- If you are installing your refrigerator next to a fixed wall, leave 2" (5.08 cm) minimum on each side (depending on your model) to allow for the door to swing open.

NOTE: Do not install the refrigerator near an oven, radiator, or other heat source, nor in a location where the temperature will fall below 55°F (13°C).

Electrical Requirements

⚠️ WARNING



Electrical Shock Hazard

Plug into a grounded 3 prong outlet.

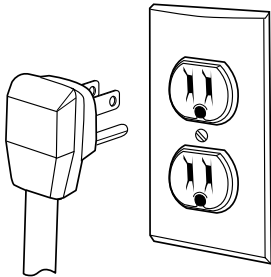
Do not remove ground prong.

Do not use an adapter.

Do not use an extension cord.

Failure to follow these instructions can result in death, fire, or electrical shock.

Before you move your refrigerator into its final location, it is important to make sure you have the proper electrical connection:



Recommended Grounding Method

A 115 Volt, 60 Hz., AC only 15 or 20 ampere fused, grounded electrical supply is required. It is recommended that a separate circuit serving only your refrigerator be provided. Use an outlet that cannot be turned off by a switch. Do not use an extension cord.

NOTE: Before performing any type of installation, cleaning, or removing a light bulb, turn the control, (Thermostat, Refrigerator or Freezer Control depending on the model) to OFF and then disconnect the refrigerator from the electrical source. When you are finished, reconnect the refrigerator to the electrical source and reset the control (Thermostat, Refrigerator or Freezer Control depending on the model) to the desired setting.

Removing the Doors

⚠️ WARNING



Electrical Shock Hazard

Disconnect power before removing doors.

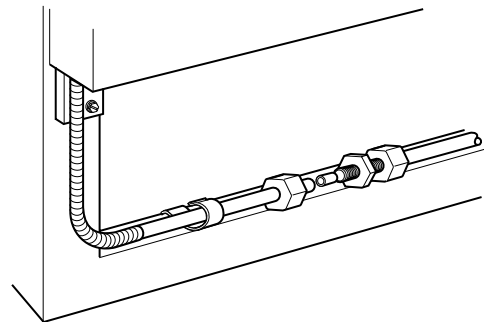
Failure to do so can result in death or electrical shock.

NOTE: Before removing doors, open both doors and remove base grille (see the "Base Grille" section).

Tools Needed:

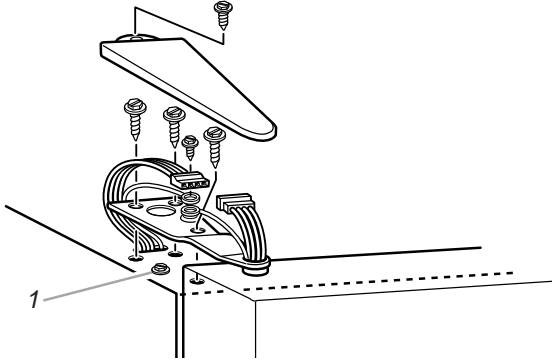
1/4-inch hex-head socket wrench and 5/16-inch hex-head socket wrench.

1. Unplug refrigerator or disconnect power.
2. If you have a dispenser (ice or water), disconnect water line (behind base grille).
 - Remove hose from clip.
 - Disconnect union nut and slide it back onto tube.
 - Remove metal insert from tube.
 - Remove union nut and spring.



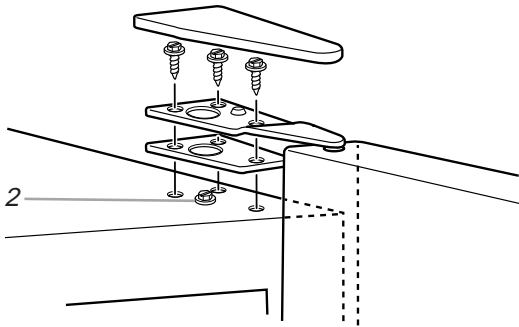
3. Remove left top hinge.

- Remove hinge cover and screws. **DO NOT REMOVE SCREW 1 AS SHOWN IN DIAGRAM.**
- Disconnect wiring plug and both ground wires.
- Carefully lift door up off bottom hinge. Make sure you protect water line from damage.



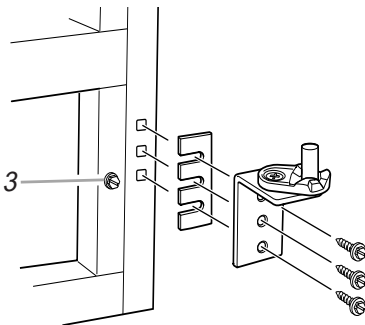
4. Disassemble right top hinge.

- Remove hinge cover and screws. **DO NOT REMOVE SCREW 2 AS SHOWN IN DIAGRAM.**
- Lift door up off bottom hinge.




5. Remove bottom hinge, if necessary. Both bottom hinges have similar construction. **DO NOT REMOVE SCREW 3 AS SHOWN IN DIAGRAM.**

NOTE: It may not be necessary to remove the bottom hinge to move refrigerator through a doorway.



6. Replace doors.

⚠ WARNING



Electrical Shock Hazard
Reconnect both ground wires.
Failure to do so can result in death or electrical shock.

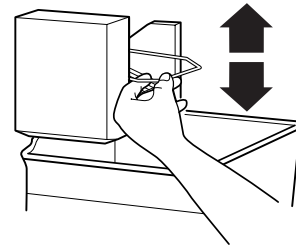
7. Reconnect wiring plug and both grounding wires.
8. Replace hinge cover and screws.
9. Plug in refrigerator or reconnect power.

Water System Preparation

Please read before using the water system.

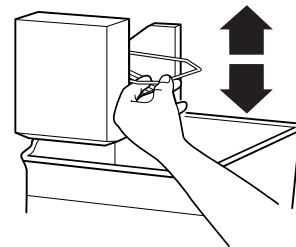
Immediately after installation, follow the steps below to make sure that the water system is properly cleaned.

1. Turn off the ice maker by opening the freezer door and lifting up the signal arm as shown.



2. Flush the water system by dispensing and discarding 2-3 gallons (approximately 6-7 minutes) of water through the dispenser. This will clean the system and help clean air from the lines. Additional flushing may be required in some households.

3. Turn on the ice maker by opening the freezer door and lowering the signal arm as shown.



4. Allow 24 hours to produce the first batch of ice. Ice maker should then produce approximately 7 to 9 batches of ice in a 24-hour period. Discard the first three batches of ice produced.

Connecting the Refrigerator to a Water Source

Read all directions carefully before you begin.

IMPORTANT:

- If operating the refrigerator before installing the water connection, turn ice maker to the OFF position to prevent operation without water.
- All installations must be in accordance with local plumbing code requirements.
- Use copper tubing and check for leaks.
- Install copper tubing only in areas where temperatures will remain above freezing.
- It may take up to 24 hours for your ice maker to begin producing ice.

Tools required:

- Standard screwdriver
- $\frac{7}{16}$ -inch and $\frac{1}{2}$ -inch open-end wrenches or two adjustable wrenches
- $\frac{1}{4}$ -inch nut driver
- $\frac{1}{4}$ -inch drill bit
- Hand drill or electric drill (properly grounded)

NOTE: Your refrigerator dealer has a kit available with a $\frac{1}{4}$ -inch saddle-type shut-off valve, a union, and copper tubing. Before purchasing, make sure a saddle-type valve complies with your local plumbing codes. Do not use a piercing-type or $\frac{3}{16}$ -inch saddle valve which reduces water flow and clogs more easily.

Cold Water Supply

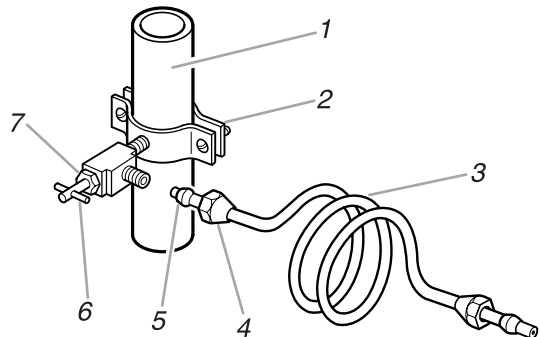
The ice maker water valve contains a flow washer which is used as a water pressure regulator. The ice maker needs to be connected to a cold water line with water pressure between 30 and 120 psi. If a problem occurs, call your utility company.

Connecting to water line:

1. Unplug refrigerator or disconnect power.
2. Turn OFF main water supply. Turn ON nearest faucet long enough to clear line of water.
3. Find a $\frac{1}{2}$ -inch to $1\frac{1}{4}$ -inch vertical COLD water pipe near the refrigerator.

NOTE: Horizontal pipe will work, but the following procedure must be followed: Drill on the top side of the pipe, not the bottom. This will help keep water away from the drill. This also keeps normal sediment from collecting in the valve.

4. To determine the length of copper tubing you will need, measure from connection on lower left rear of refrigerator to water pipe. Add 7 feet (2.1 m) to allow for moving refrigerator for cleaning. Use $\frac{1}{4}$ -inch O.D. (outside diameter) copper tubing. Be sure both ends of copper tubing are cut square.
5. Using a grounded drill, drill a $\frac{1}{4}$ -inch hole in the cold water pipe you have selected.

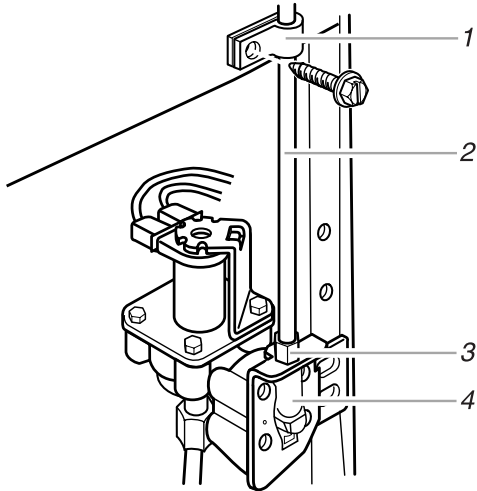


1. Cold Water Pipe
2. Pipe Clamp
3. Copper Tubing
4. Compression Nut
5. Compression Sleeve
6. Shut Off Valve
7. Packing Nut

6. Fasten shut-off valve to cold water pipe with pipe clamp. Be sure outlet end is solidly in the $\frac{1}{4}$ -inch drilled hole in the water pipe and that washer is under the pipe clamp. Tighten packing nut. Tighten the pipe clamp screws carefully and evenly so washer makes a watertight seal. Do not overtighten or you may crush the copper tubing, especially if soft (coiled) copper tubing is used. Now you are ready to connect the copper tubing.
7. Slip compression sleeve and compression nut on copper tubing as shown. Insert end of tubing into outlet end squarely as far as it will go. Screw compression nut onto outlet end with adjustable wrench. Do not overtighten.
8. Place the free end of the tubing into a container or sink, and turn ON main water supply and flush out tubing until water is clear. Turn OFF shut-off valve on the water pipe. Coil copper tubing.

Connecting to refrigerator:

1. Attach the copper tube to the valve inlet using a compression nut and sleeve as shown. Tighten the compression nut. Do not overtighten. Use the tube clamp on the back of the refrigerator to secure the tubing to the refrigerator as shown. This will help prevent damage to the tubing when the refrigerator is pushed back against the wall. Move to step 2.
2. Turn shut-off valve ON. Check For Leaks. Tighten any connections (including connections at the valve) or nuts that leak.

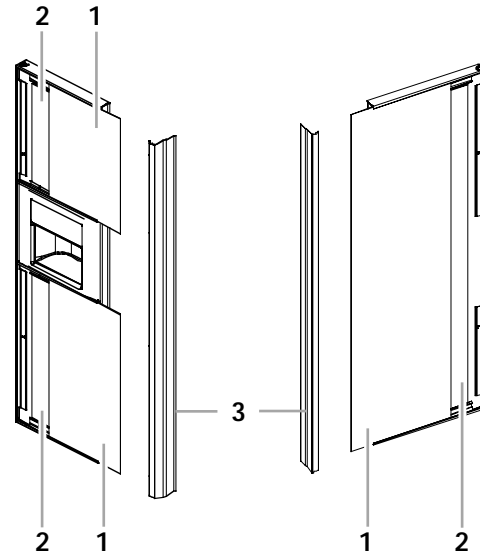


1. Tube Clamp
2. Copper Tubing
3. Compression Nut
4. Valve Inlet

3. The ice maker is equipped with a built-in water strainer. If local water conditions require periodic cleaning or a well is your source of water supply, a second water strainer should be installed in the 1/4-inch water line. Obtain a water strainer from your nearest appliance dealer. Install at either tube connection.
4. Plug in refrigerator or reconnect power.

Factory Trim Kit (on some models)

There may be an occasion when you will need to remove the factory-installed trim kit, such as moving the refrigerator to a new home or installing custom-made decorator panels. **Please read all instructions carefully before removing the trim kit and decorator panels.**



Freezer Door

Refrigerator Door

1. Decorator Panels
2. Filler Panels
3. Handles

Removing the Door Panels

NOTE: When removing and replacing decorator panels, only the handle is removed. All other trim pieces remain attached to the doors.

1. Remove the refrigerator and freezer handles:
 - Using a Phillips screwdriver, remove the screws that hold each handle in place.
 - Lift off handle. Make sure you keep screws for reattaching handles.
2. Remove the door panels:
 - Open refrigerator or freezer door.
 - Slide out decorator panel and filler board.
 - Repeat process for other panels and filler boards.
 - Store panel and filler boards carefully to prevent scratching.

Replacing the Door Panels

1. Replace the refrigerator or freezer door panels:
 - Open refrigerator or freezer door.
 - Carefully slide the 1/8" decorator panel into place behind the side trim.
 - Push the filler board into place behind the decorator panel.
 - Repeat process for other panels and filler boards.

2. Attach the handles:

NOTE: Freezer door handle is notched to fit around the dispenser panel.

- Align the top of the refrigerator or freezer handle flush with the top trim. Fasten the handle to the refrigerator or freezer door with the screws, using a Phillips screwdriver.
- Repeat the process for the other handle.

Care of Decorator Panels

1. Clean panels with an anti-static cleaner (available in electronics or computer departments) or mild soap and water with a clean, soft, damp cloth.
2. Rinse panels thoroughly and blot dry using a dry, soft cloth or chamois.
3. **DO NOT** use paper towels or cleaners which contain solvents such as ammonia. They can damage the surface of the panels.
4. If small scratches should appear on the panels, they may be filled using an automotive paste wax (NOT a cleaner/wax combination). Apply wax sparingly and buff lightly with a clean, soft cloth using a circular motion.

Installing Custom Wood Panels

If you plan to install custom wood decorator panels, you will need to create the panels yourself or consult your cabinet maker or carpenter. See dimensional drawings for wood panel inserts.

Flat panels:

You can create a custom flat panel 1/4" (6 mm) thick to replace your decorator panels. Flat wood panels less than 1/4" (6 mm) thick are not recommended.

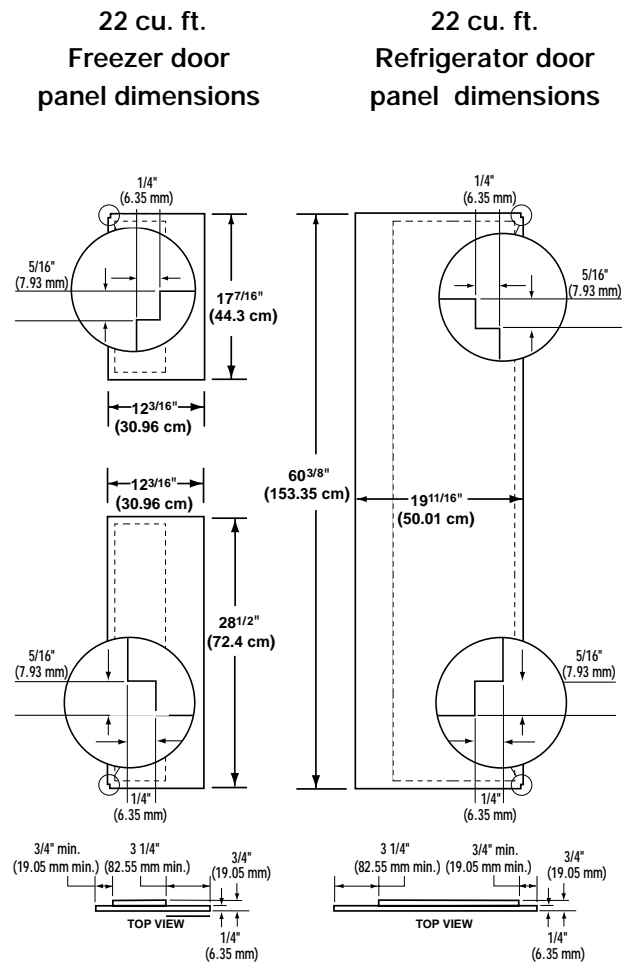
Raised panels:

A raised panel design can be created by screwing or gluing wood panels to 1/4" (6 mm) backing or by using 3/4" (19 mm) stock with routed edges.

Weight requirements for raised panel inserts:

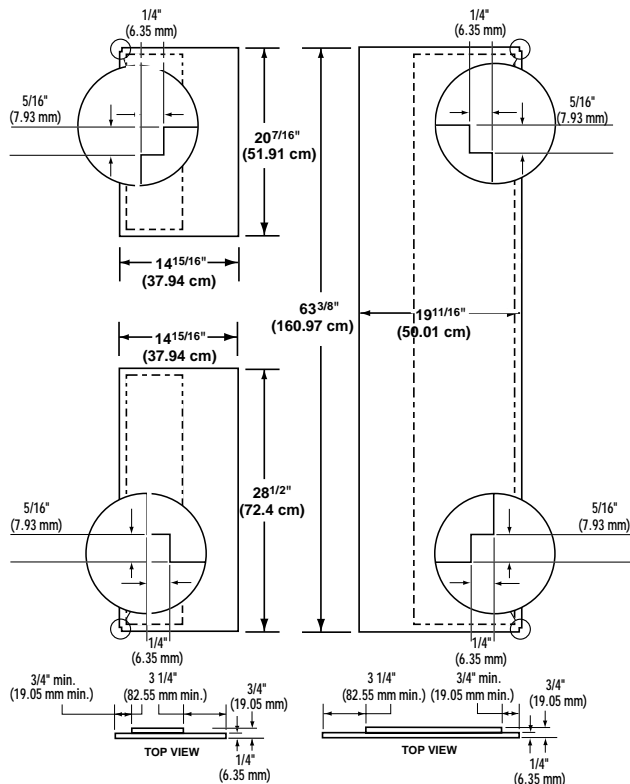
- Refrigerator door panel should not exceed 25 lbs (9.98 kg).
- Freezer door panels should not exceed 18 lbs (6.80 kg) combined weight.

Dimensions for Custom Wood Panels:



25 and 27 cu. ft.
Freezer door
panel dimensions

25 and 27 cu. ft.
Refrigerator door
panel dimensions

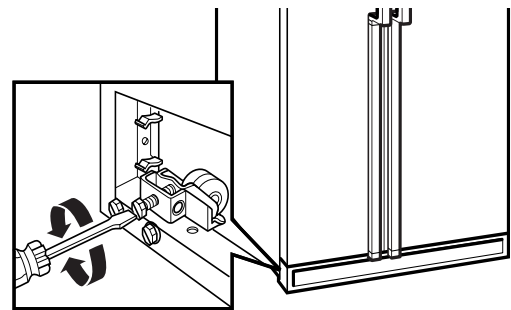


Door Closing

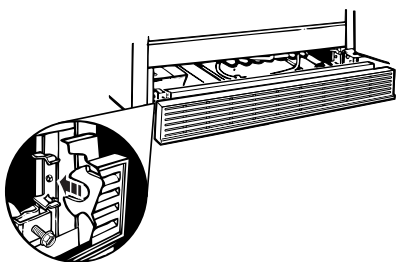
Your refrigerator has 2 front adjustable rollers — one on the right and one on the left. If your refrigerator seems unsteady or you want the doors to close easier, adjust the refrigerator's tilt using the instructions below:

1. Plug in refrigerator.
2. Move the refrigerator into its final position.
3. Remove the base grille (see "Base Grille" earlier in this section). The two leveling screws are part of the front roller assemblies which are at the base of the refrigerator on either side.
4. Use a screwdriver to adjust the leveling screws. Turn the leveling screw to the right to raise that side of the refrigerator or turn the leveling screw to the left to lower that side. It may take several turns of the leveling screws to adjust the tilt of the refrigerator.

NOTE: Having someone push against the top of the refrigerator takes some weight off the leveling screws and rollers. This makes it easier to adjust the screws.



Base Grille



To remove the base grille:

1. Open both refrigerator doors.
2. Place hands along the ends of the grille, with your thumbs along the top. Push in with your thumbs and pull up on the bottom.

NOTE: Be sure to refasten the Tech Sheet behind the base grille after cleaning.

To replace the grille:

1. Open the doors.
2. Line up the grille support tabs with the metal clips.
3. Push the grille firmly to snap it into place.

5. Open both doors again and check to make sure that they close as easily as you like. If not, tilt the refrigerator slightly more to the rear by turning both leveling screws to the right. It may take several more turns, and you should turn both leveling screws the same amount.
6. Replace the base grille.

Understanding Sounds You May Hear

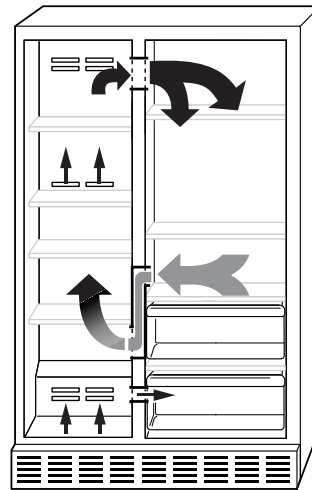
Your new refrigerator may make sounds that your old one didn't make. Because the sounds are new to you, you might be concerned about them. Most of the new sounds are normal. Hard surfaces, like the floor, walls, and cabinets, can make the sounds seem louder than they actually are. The following describes the kinds of sounds and what may be making them.

- If your product is equipped with an ice maker, you will hear a buzzing sound when the water valve opens to fill the ice maker for each cycle.
- The defrost timer will click when the automatic defrost cycle begins and ends. Also, the thermostat refrigerator control, will click when cycling on and off.
- Rattling noises may come from the flow of refrigerant, the water line, or items stored on top of the refrigerator.
- Your refrigerator is designed to run more efficiently to keep your food items at the desired temperature. The high efficiency compressor may cause your new refrigerator to run longer than your old one, and you may hear a pulsating or high-pitched sound.
- Water dripping on the defrost heater during a defrost cycle may cause a sizzling sound.
- You may hear the evaporator fan motor circulating the air through the refrigerator and freezer compartments.
- As each cycle ends, you may hear a gurgling sound due to the refrigerant flowing in your refrigerator.
- Contraction and expansion of the inside walls may cause a popping noise.
- You may hear air being forced over the condenser by the condenser fan.
- You may hear water running into the drain pan during the defrost cycle.

USING YOUR REFRIGERATOR

Ensuring Proper Air Circulation

In order to ensure proper temperatures, you need to permit air to flow between the two sections. Cold air enters the bottom of the freezer section and moves up. It then enters the refrigerator section through the top vent. Air then returns to the freezer as shown.



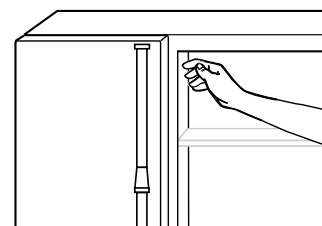
Do not block any of these vents with food such as soda, cereal, bread, etc. If the vents are blocked, airflow will be prevented and the temperature controls will not function properly.

IMPORTANT: Because air circulates between both sections, any odors formed in one section will transfer to the other. You must thoroughly clean both sections to eliminate odors. To prevent odor transfer from food, wrap or cover foods tightly.

Checking airflow

To measure the amount of cold air being directed from the freezer compartment into the refrigerator section, hold your hand in front of the top vent. You can adjust the Air Balance Control to feel the different amounts of airflow.

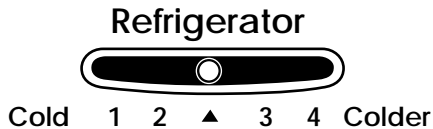
For further information on temperatures inside your refrigerator, refer to the "Troubleshooting" section.



Setting the Controls

For your convenience, your refrigerator controls are preset at the factory. When you first install your refrigerator, make sure that the controls are still preset. The Refrigerator Control and the Freezer Control should both be at the "mid-settings" as shown in the illustrations below.

The Refrigerator Control adjusts the refrigerator compartment temperature. Settings to the left of the mid-setting make the temperature less cold. Settings to the right of the mid-setting make the temperature colder.



The Freezer Control adjusts the freezer compartment temperature. Settings to the left of the mid-setting make the temperature less cold. Settings to the right of the mid-setting make the temperature colder.

NOTE: Your product will **not** cool when the Freezer Control is set to OFF.



Give your refrigerator time to cool down completely before adding food. It is best to wait 24 hours before you put food into the refrigerator.

IMPORTANT: If you add food before the refrigerator has cooled completely, your food may spoil. **Turning the Refrigerator and Freezer Controls to a higher (colder) than recommended setting will not cool the compartments any faster.**

NOTE: The Automatic Exterior Moisture control continuously guards against moisture buildup on the outside of your refrigerator cabinet. This control does not have to be set or adjusted.

Adjusting Control Settings

Give the refrigerator time to cool down completely before adding food. It is best to wait 24 hours before you put food into the refrigerator. The settings indicated in the previous section should be correct for normal household refrigerator usage. The controls are set correctly when milk or juice is as cold as you like and when ice cream is firm.

If you need to adjust temperatures in the refrigerator or freezer, use the settings listed in the chart below as a guide. Wait at least 24 hours between adjustments.

CONDITION/REASON:	RECOMMENDED ADJUSTMENT:
REFRIGERATOR section too warm <ul style="list-style-type: none"> ■ Door opened often ■ Large amount of food added ■ Room temperature very warm 	Turn REFRIGERATOR Control one-half setting higher, wait 24 hours, then check the freezer temperature
FREEZER section too warm/ice not made fast enough <ul style="list-style-type: none"> ■ Door opened often ■ Large amount of food added ■ Very cold room temperature (can't cycle often enough) ■ Heavy ice usage ■ Air diffuser blocked by items 	Turn FREEZER Control one-half setting higher Move packages out of airstream
REFRIGERATOR section too cold <ul style="list-style-type: none"> ■ Controls not set correctly for your conditions 	Turn REFRIGERATOR Control to next lower number
FREEZER section too cold <ul style="list-style-type: none"> ■ Controls not set correctly for your conditions 	Turn FREEZER Control one-half setting lower

Food Storage Guide

Storing fresh food

Wrap or store food in the refrigerator in airtight and moisture-proof material unless otherwise noted. This prevents food odor and taste transfer throughout the refrigerator. For dated products, check code date to ensure freshness.

Butter or margarine

Keep opened butter in covered dish or closed compartment. When storing an extra supply, wrap in freezer packaging and freeze.

Cheese

Store in the original wrapping until you are ready to use it. Once opened, rewrap tightly in plastic wrap or aluminum foil.

Milk

Wipe milk cartons. For best storage, place milk on interior shelf.

Eggs

Store in original carton on interior shelf.

Fruit

Wash, let dry, and store in refrigerator in plastic bags or crisper. Do not wash or hull berries until they are ready to use. Sort and keep berries in original container in a crisper, or store in a loosely closed paper bag on a refrigerator shelf.

Leafy vegetables

Remove store wrapping and trim or tear off bruised and discolored areas. Wash in cold water and drain. Place in plastic bag or plastic container and store in crisper.

Vegetables with skins (carrots, peppers)

Place in plastic bags or plastic container and store in crisper.

Fish

Use fresh fish and shellfish the same day as purchased.

Meat

Store most meat in original wrapping as long as it is airtight and moisture-proof. Rewrap if necessary. See the following chart for storage times. When storing meat longer than the times given, freeze the meat.

Chicken.....	1-2 days
Ground beef.....	1-2 days
Variety meats (liver, heart, etc.).....	1-2 days
Cold cuts.....	3-5 days
Steaks/roasts.....	3-5 days
Cured meats.....	7-10 days

Leftovers

Cover leftovers with plastic wrap or aluminum foil. Plastic containers with tight lids can also be used.

Storing frozen food

NOTE: For further information about preparing food for freezing or food storage times, check a freezer guide or reliable cookbook.

Packaging

Successful freezing depends on the correct packaging. When you close and seal the package you must not allow air or moisture in or out. If you do, you could have food odor and taste transfer throughout the refrigerator, and also dry out frozen food.

Packaging recommendations:

- Rigid plastic containers with tight-fitting lids
- Straight-sided canning/freezing jars
- Heavy-duty aluminum foil
- Plastic-coated paper
- Non-permeable plastic wraps (made from saran film)
- Specified freezer self-sealing plastic bags

Follow package or container instructions for proper freezing methods.

Do not use:

- Bread wrappers
- Non-polyethylene plastic containers
- Containers without tight lids
- Wax paper or wax-coated freezer wrap
- Thin, semi-permeable wrap

Freezing

Your freezer will not quick-freeze any large quantity of food. Put no more unfrozen food into the freezer than will freeze within 24 hours (no more than 2 to 3 lbs of food per cubic foot [907-1,350 g per liter] of freezer space). Leave enough space in the freezer for air to circulate around packages. Be careful to leave enough room at the front so the door can close tightly.

Storage times will vary according to the quality and type of food, the type of packaging or wrap used (airtight and moisture-proof), and the storage temperature. Ice crystals inside a sealed package are normal. This simply means that moisture in the food and air inside the package have condensed, creating ice crystals.

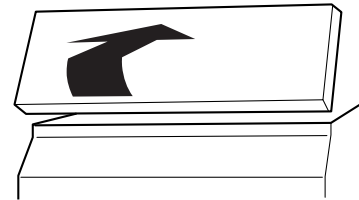
NOTE: Allow hot foods to cool at room temperature for 30 minutes, then package and freeze. Cooling hot foods before freezing saves energy.

REFRIGERATOR FEATURES

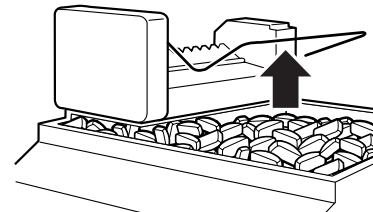
Ice Maker Storage Bin

To remove the ice bin:

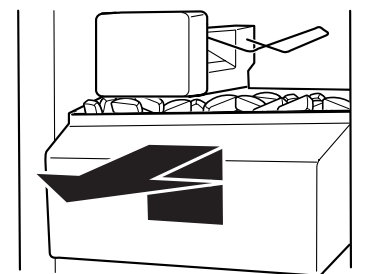
1. Pull the covering panel out from the bottom and then slide it back toward the rear.



2. Lift the signal arm so it clicks into the OFF (up) position. Ice can still be dispensed, but no more can be made.



3. Lift up the front of the storage bin and pull it out.



4. Empty the ice bin. Use warm water to melt the ice if necessary. **Never use anything sharp** to break up the ice in the bin. This can cause damage to the bin and the dispenser mechanism.
5. Wash with a mild detergent, rinse well and dry thoroughly. Do not use harsh or abrasive cleaners or solvents.
6. **When you replace the bin**, make sure it is pushed in all the way or the dispenser will not work. Then push the signal arm down to the ON position to restart ice production. Make sure the door is closed tightly.

Water and Ice Dispensers

(on some models)

⚠️ WARNING



Cut Hazard

Use a sturdy glass when dispensing ice or water.
Failure to do so can result in cuts.

Depending on your model, you may have one or more of the following options: The ability to select either crushed or cubed ice, a special light that turns on when you use the dispenser, or a lock option to avoid accidental dispensing.

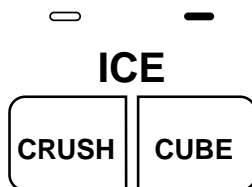
The ice dispenser

Ice dispenses from the ice maker storage bin in the freezer. When the dispenser lever is pressed:

- A trapdoor opens in a chute between the dispenser and the ice bin.
- Ice moves from the bin and falls through the chute.
- When you release the dispenser lever, the trap door closes and the ice dispensing stops. The dispensing system will not operate when the freezer door is open.

Some models dispense both cubed and crushed ice. Before dispensing ice, select which type of ice you prefer. The button controls are designed for easy use and cleaning.

- For cubed ice, press the CUBE button until the red indicator appears in the window above the CUBE button.

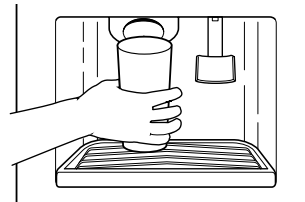


- For crushed ice, press the CRUSH button until the red indicator appears in the window above the CRUSH button.

For crushed ice, cubes are crushed before being dispensed. This may cause a slight delay when dispensing crushed ice. Noise from the ice crusher is normal, and pieces of ice may vary in size. When changing from CRUSH to CUBE, a few ounces of crushed ice will be dispensed along with the first cubes.

To dispense ice:

1. Press button for the desired type of ice.
2. Press a **sturdy** glass against the ice dispenser lever. Hold the glass close to the dispenser opening so ice does not fall outside of the glass.



IMPORTANT: You do not need to apply a lot of pressure to the lever in order to activate the ice dispenser. Pressing hard will not make the ice dispense faster or in greater quantities.

3. Remove the glass to stop dispensing.

NOTE: The first few batches of ice may have an off-flavor from new plumbing and parts. Throw the ice away. Also, take large amounts of ice from the ice bin, not through the dispenser.

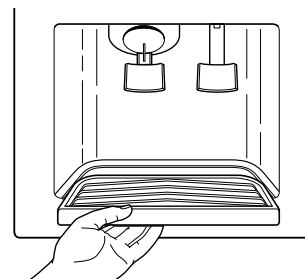
The water dispenser

Chilled water comes from a container behind the meat drawer. It holds approximately 1½ quarts (1.5 L).

When the refrigerator is first hooked up, press the water dispenser bar with a glass or jar until you draw and discard 2 or 3 quarts (1.9 to 2.8 L). It will take three to four minutes for the water to begin dispensing. The water you draw and discard rinses the tank and pipes.

Allow several hours to chill a new tankful.

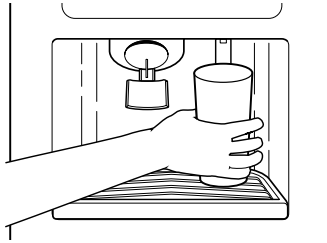
IMPORTANT: The small removable tray at the bottom of the dispenser is designed to catch small spills and allow for easy cleaning. There is no drain in the tray. The tray can be removed from the dispenser and carried to the sink to be emptied or cleaned.



To dispense water:

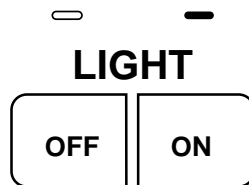
1. Press a glass against the water dispenser lever.
2. Remove the glass to stop dispensing.

NOTE: Dispense enough water every week to maintain a fresh supply.



The dispenser light

The dispenser area has a light. It can be turned on manually by pressing the "ON" button at the right hand side of the control panel. The red indicator above the "ON" button will appear. **On some models:** Whenever you use the dispenser the lever will automatically turn the light on.

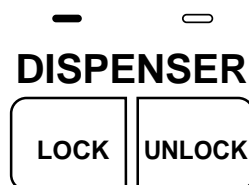


NOTE: See the "Changing the Light Bulbs" section for information on changing the dispenser light bulb.

On models without crushed ice, the light switch is a rocker-style type. Push the switch to turn the light on, and push again to turn the light off.

The dispenser lock (on some models)

Your dispenser can be turned off for easy cleaning or to prevent accidental dispensing by small children and pets. To turn off the dispenser, press the LOCK button. The indicator will appear above the LOCK button and the ice and water dispensers will not work. To unlock the dispenser, press the UNLOCK button until the indicator appears. Then continue to dispense ice or water as usual.



NOTE: The lock feature does not shut off power to the product, to the ice maker, or to the dispenser light. It simply deactivates the dispenser levers.

Water Filtration and Monitoring System (on some models)

The water filter indicator light

The water filter indicator light will help you know when to change your water filter cartridge. The light is located at the top of the refrigerator compartment. The light will change from green to yellow. This tells you that it is almost time to change the water filter cartridge (90% of the filter life has been used). It is recommended that you replace the water filter cartridge when the water filter indicator light changes to red OR water flow to your water dispenser or ice maker decreases noticeably. (See "Changing a water filter cartridge" later in this section.)

NOTE: Do not use with water that is microbiologically unsafe or of unknown quality without adequate disinfection before or after the system.

AquaSense Monitoring System

Filter Indicator

Filter Indicator Reset

Green - Good Filter
Yellow - Order Filter
Red - Change Filter

Push light switch 5 times in 10 seconds to reset filter indicator to green

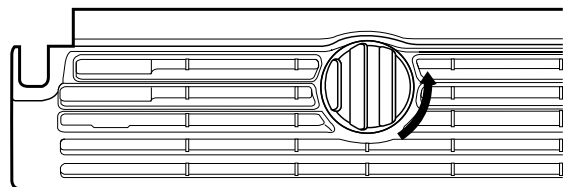
After changing the water filter cartridge, reset the water filter indicator light by pressing the light switch 5 times within 10 seconds. The indicator light will change from red to green when the system is reset.

Changing a water filter cartridge

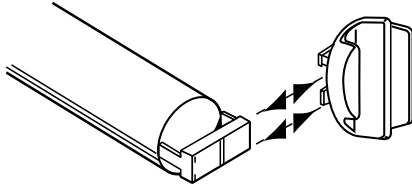
The water filter is located below the freezer compartment door.

1. Locate the water filter cartridge cap in the front base grille below the freezer compartment door. Rotate the cap counterclockwise to a vertical position and pull the cap and filter cartridge out through the base grille.

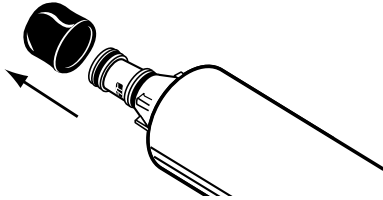
NOTE: There will be water in the cartridge. Some spilling may occur.



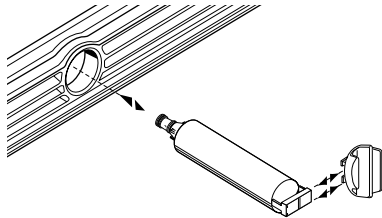
- Remove the cartridge cap by sliding it off the end of the old cartridge. The cap will slide to the left or right. **DO NOT DISCARD THE CAP.**



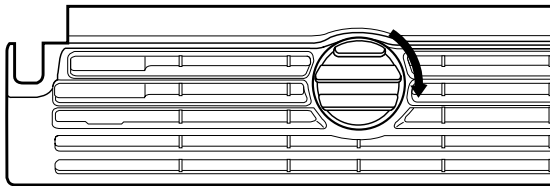
- Take the new cartridge out of its packaging and remove protective cover from o-rings.



- Slide the cartridge cap onto the new cartridge as shown.



- With cartridge cap in the vertical position, push the new filter cartridge into the base grille until it stops. Rotate the cartridge cap clockwise to a horizontal position.



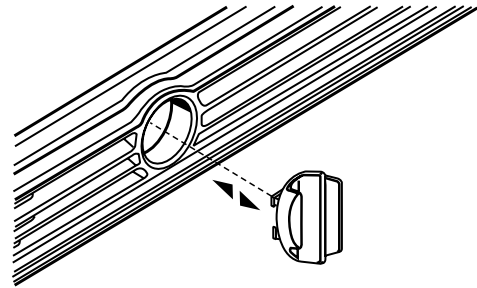
- RUN WATER THROUGH THE DISPENSER UNTIL THE WATER RUNS CLEAR** (about 2-3 gallons or 6-7 minutes). This will clean the system and clear air from the lines. Additional flushing may be required in some households.

NOTE: As air is cleared from the system, water may spurt out of the dispenser.

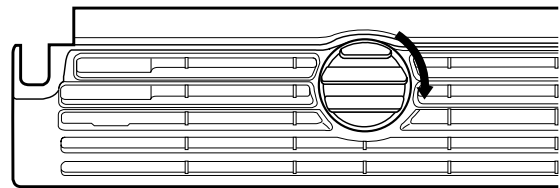
Using the dispenser without the water filter

You can run the dispenser without a water filter cartridge. Your water will not be filtered. If you run the dispenser without a water filter cartridge, keep the cartridge cap and replace it in the base grille for future use.

- Remove the water filter cartridge (See "Changing a water filter cartridge" earlier in this section.) Then slide the cartridge cap off the end of the filter cartridge. **DO NOT DISCARD THE CAP.**
- With the cartridge cap in the vertical position, insert the cap into the base grille until it stops.



- Rotate the cartridge cap to a horizontal position.



NOTE: The cartridge cap may not be even with the base grille.

Ordering replacement filters

To order more water filter cartridges, call 1-800-422-1230 and ask for accessory Part #4392857 or contact your authorized KitchenAid dealer.

Refrigerator Shelves

The shelves in your refrigerator are adjustable to meet your individual storage needs. Your model may have glass or wire shelves.

Storing similar food items together in your refrigerator and adjusting the shelves to fit different heights of items will make finding the exact item you want easier. It will also reduce the amount of time the refrigerator door is open, and save energy.

IMPORTANT: Do not clean glass shelves with warm water when they are cold. Shelves may break if exposed to sudden temperature changes or impact. For your protection tempered glass is designed to shatter into many small pebble-size pieces. This is normal.

NOTE: Glass shelves are heavy. Use special care when removing them to avoid impact from dropping.

To remove shelves from the shipping position (shelves are shipped upside down):

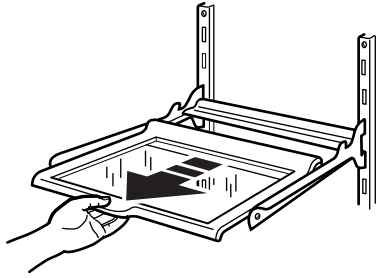
1. Grasp front of upper shelf with one hand and use other hand to remove packing material from shelf area.
2. Lower front of upper shelf until shelf hooks can be removed from slots in shelf supports on the back refrigerator wall. Pull shelf forward to remove.
3. Flip shelf over.
4. Insert rear shelf hooks into slots in shelf supports.
5. Tilt front of shelf up until rear hooks drop into slots.
6. Lower front of shelf. Check to make sure that shelf is securely in position.

Slide-out shelves (on some models)

Some shelves slide out, providing easier access to foods stored in back.

To slide out shelf, carefully pull front of shelf toward you.

To slide in shelf, push shelf in until it stops.



To remove a shelf from the metal frame:

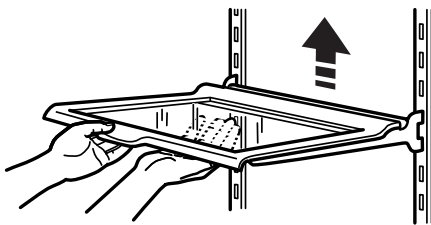
1. Pull shelf out to the stop.
2. Tilt front of the shelf up and pull it out a little further.
3. Lift up shelf so that it moves through the slot in the frame.

Replace the shelf in the reverse order.

Shelves and shelf frames

To remove a shelf/frame:

1. Tilt up front of the shelf/frame.
2. Pull shelf/frame.



To replace a shelf/frame:

1. Guide the rear shelf hooks into the slots in the shelf supports on the back refrigerator wall.
2. Tilt up front of shelf/frame.
3. Lower the front of the shelf into position.

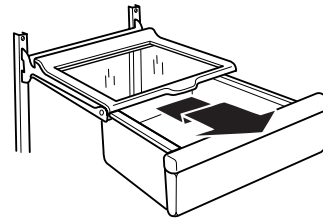
Deli Drawer (on some models)

The deli drawer provides a convenient place to store raisins, nuts, spreads, and other small items at normal refrigerator temperatures.

To remove the deli drawer:

1. Slide the deli drawer straight out to the stop.
2. Lift the front and slide the drawer out the rest of the way.

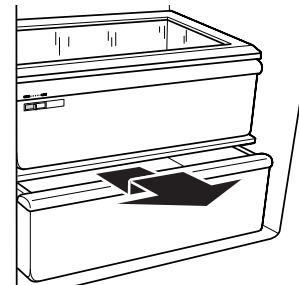
Replace the deli drawer by sliding it back in fully past the drawer stop.



Convertible Vegetable/Meat Drawer and Cover

To remove the drawer:

1. Slide the drawer straight out to the stop.
2. Lift the front slightly and slide it out the rest of the way.
3. Replace the drawer by sliding it past the drawer stop.



To remove the cover:

1. Remove the drawer and the crisper.
2. Lift the front of the cover off of the supports and remove it by pulling up and out.

To replace the cover:

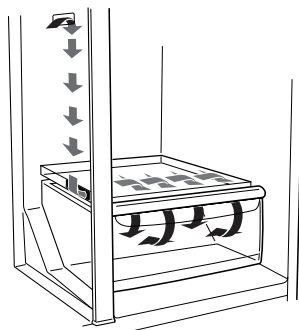
1. Fit the back of the cover into the notch supports on the walls of the refrigerator and lower it into place.
2. Replace the drawer and crisper.

Convertible Vegetable/Meat Drawer Temperature Control

The convertible vegetable/meat drawer can be adjusted to properly chill meats or vegetables. Unlike most chilled meat drawer systems, the Temperature Control cools the air inside the pan. (Most systems chill only the pan itself, which doesn't cool the air inside the pan evenly).

Chilling the air inside the pan provides more even cooling and reduces "spot" freezing. The Temperature Control can be set to keep meats at the recommended storage temperatures (28°F-32°F are the recommended storage temperatures from the National Livestock and Meat Board).

To store vegetables at their optimal storage temperatures (which need to be warmer than those for meat), set the control at the Vegetable setting, all the way to the left.



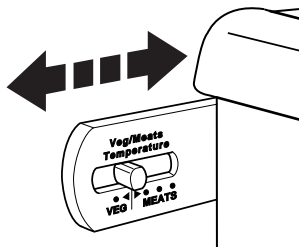
IMPORTANT: To extend freshness even more, remember to wrap meats in airtight, moisture-proof materials before storing. Always store meat as recommended by the National Livestock and Meat Board. See "Storing Fresh Food" in the "Food Storage Guide" section for more information.

Adjusting the control

The convertible control comes preset for you at the lowest meat setting. Move it to the mid-setting or "colder" as desired.

To change a control setting: Move the control to the right (colder) or to the left (less cold).

To store vegetables: Move the control all the way to the left to the VEG setting.



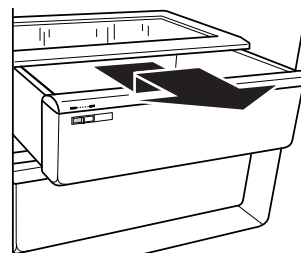
IMPORTANT: If food starts to freeze, move the control to the left (less cold). Remember to wait 24 hours between adjustments. Doing so gives the temperature of the food time to change.

Crisper and Crisper Cover

To remove the crisper:

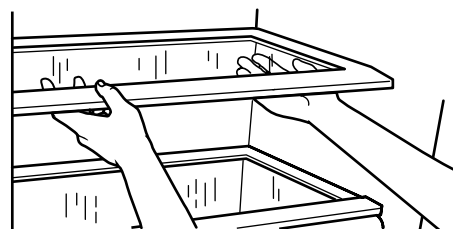
1. Slide crisper straight out to the stop.
2. Lift the front.
3. Slide crisper out the rest of the way.

Replace the crisper by sliding it back in fully past the drawer stop.



To remove the crisper cover:

1. Remove crisper.
2. Holding glass insert firmly, grasp one side of crisper cover and lift the other side up from the bottom.
3. Slide the glass insert out to remove.
4. Lift cover frame up and remove.



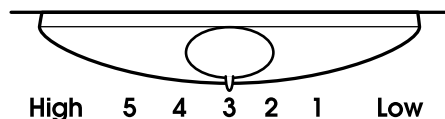
To replace the crisper cover:

1. Fit back of cover frame into supports on side walls of the refrigerator.
2. Lower front of the cover frame into place.
3. Slide rear of glass insert into cover frame and lower front into place.

Crisper Humidity Control

You can control the amount of humidity in the moisture-sealed crisper. Adjust the control to any setting between LOW and HIGH.

- LOW (open) lets moist air out of the crisper for best storage of fruits and vegetables with skins.
- HIGH (closed) keeps moist air in the crisper for best storage of fresh, leafy vegetables.



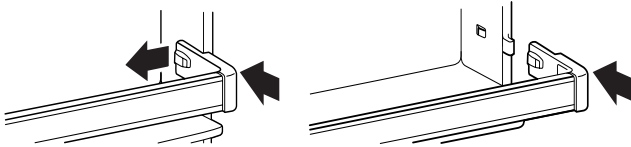
Door Rails

The door rails may be removed for easier cleaning.

Snap-on Door Rails

To remove the rails:

1. Remove all items from the shelf.
2. Push in slightly on the front of the bracket while pulling out on the inside tab.
3. Repeat these steps for the other end of the rail.



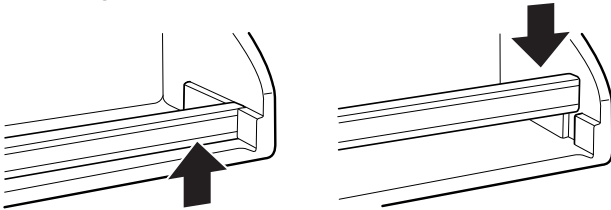
To replace the rails:

1. Line up the ends of the brackets with the buttons on the sides of the door liner.
2. Firmly snap bracket and rail assembly onto the tabs above the shelf as shown.

Drop-in Door Rails

To remove the rails:

1. Remove all items from the shelf.
2. Pull straight up on each end of the rail.



To replace the rails:

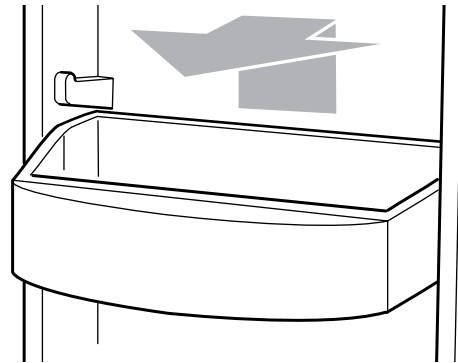
1. Slide the shelf rail into the slots on the door.
2. Push the rail straight down until it stops.

Door Accessories

Door Bins

The door bins are removable for easy cleaning and adjusting.

1. To remove the bin, simply lift the bin up and pull straight out.
2. To replace the bin, slide it in above the desired support button and push down until it stops.



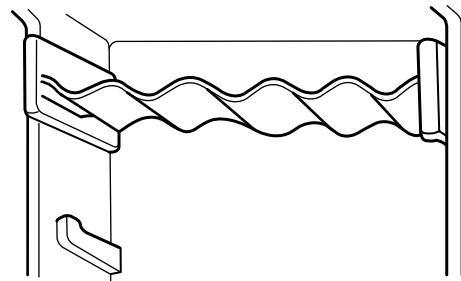
Can Rack

To remove the rack:

1. Remove all items from the rack.
2. Lift the rack up.
3. Pull the rack straight out.

To replace the rack:

1. Hold the back of the rack above the desired guide.
2. Push the back of the rack back and down until it stops.



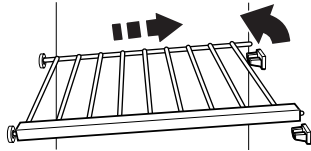
Freezer Shelf

(number varies with model)

To remove the shelf:

1. Lift the shelf off of the supports.
2. Slide it out of the shelf support holes.

Replace shelf in the reverse order.



Freezer Basket

(plastic bin on some models)

The freezer basket can be used to store bags of frozen fruits and vegetables that may slide off freezer shelves.

To remove the freezer basket:

1. Slide it out to the stop.
2. Lift the front and slide it out the rest of the way.



To replace the basket:

1. Position it on the slides, making sure that the wire stops are clear of the front of the slides.
2. Slide it back in all the way.

CARING FOR YOUR REFRIGERATOR

Cleaning Your Refrigerator

⚠ WARNING



Explosion Hazard

Use nonflammable cleaner.

Failure to do so can result in death, explosion, or fire.

Both the refrigerator and freezer sections defrost automatically. However, clean both sections about once a month to prevent odors from building up. Wipe up spills immediately.

Energy Saving Tip:

Clean the condenser coils regularly, as described in the cleaning chart in this section.

To clean your refrigerator:

- Unplug refrigerator or disconnect power.
- Remove all removable parts from inside, such as shelves, crispers, etc.
- Use a clean sponge or soft cloth and a mild detergent in warm water. Do not use abrasive or harsh cleaners.
- Hand wash, rinse, and dry all surfaces thoroughly.
- Plug in refrigerator or reconnect power.

- Additional cleaning tips are listed below:

PART	COMMENTS
Outside	<ul style="list-style-type: none"> ■ Waxing external painted metal surfaces helps provide rust protection. Do not wax plastic parts. Wax painted metal surfaces at least twice a year using appliance wax (or auto paste wax). Apply wax with a clean, soft cloth.
Inside walls (allow freezer to warm up so cloth won't stick)	<ul style="list-style-type: none"> ■ To help remove odors, you can wash with a mixture of warm water and baking soda (2 tbs to 1 qt [26 g to .95 L] of water).
Door liners and gaskets	<ul style="list-style-type: none"> ■ Do not use cleaning waxes, concentrated detergents, bleaches, or cleaners containing petroleum on plastic parts.
Plastic parts (covers and panels)	<ul style="list-style-type: none"> ■ Do not use paper towels, window sprays, scouring cleansers or flammable fluids. These can scratch or damage material.
Condenser coils	<ul style="list-style-type: none"> ■ Remove base grille. (See the "Base Grille" section.) ■ Use a vacuum with an extended attachment to clean condenser coils. ■ Vacuum coils when dusty or dirty. Coils may need to be cleaned as often as every other month. ■ Replace base grille.

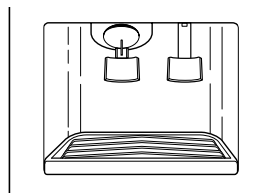
Changing the Light Bulbs

NOTE: Not all appliance bulbs will fit your refrigerator. Be sure to replace the bulb with one of the same size and shape.

Refrigerator Light Bulbs

Dispenser area light (on some models):

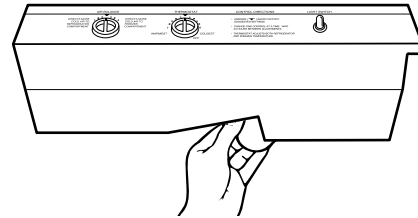
1. Unplug refrigerator or disconnect power.
2. Reach through the dispenser area to remove the bulb.



3. Replace the bulb with a heavy-duty 10-watt bulb, which can be purchased from your dealer.
4. Plug in refrigerator or reconnect power.

Light behind control panel:

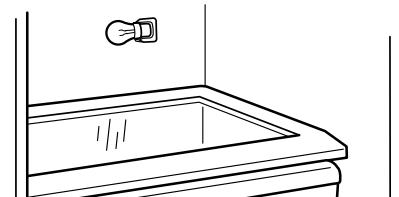
1. Unplug refrigerator or disconnect power.
2. Reach behind the Control Panel and remove the bulb.
3. Replace the bulb with a 40-watt appliance bulb.



4. Plug in refrigerator or reconnect power.

Crisper light (on some models):

1. Unplug refrigerator or disconnect power.
2. Remove the light shield by grasping the top center of the shield and pulling forward while turning it slightly to one side.
3. Replace the bulb with a 40-watt appliance bulb.



4. Replace the light shield by grasping the top center of the shield and inserting the tabs on one end into the slotted holes in the refrigerator liner. Then, carefully bend the shield at the center to insert the tabs on the other end.

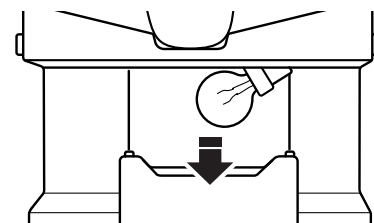
5. Plug in refrigerator or reconnect power.

NOTE: To clean the light shield, wash it with warm water and a liquid detergent. Rinse and dry the shield well.

Freezer Light Bulbs

Light below the ice bin:

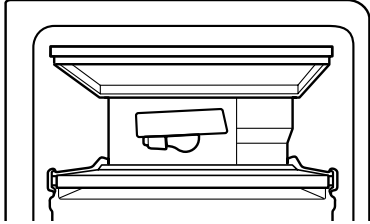
1. Unplug refrigerator or disconnect power.
2. Push in the sides of the light shield and pull down until the shield snaps free.



3. Replace the bulb with a 40-watt appliance bulb.
4. Replace the light shield.
5. Plug in refrigerator or reconnect power.

Upper freezer light (on some models):

1. Unplug refrigerator or disconnect power.
2. Remove the light shield by grasping the top center of the shield and pulling forward while turning it slightly to one side.
3. Replace the bulb with a 40-watt appliance bulb.



4. Replace the light shield by grasping the top center of the shield and inserting the tabs on one end into the slotted holes in the freezer liner. Then, carefully bend the shield at the center to insert the tabs on the other end.
5. Plug in refrigerator or reconnect power.

Power Interruptions

If the electricity in your house goes off, call the power company and ask how long it will be off.

1. If the power will be out for **24 hours or less**, keep both **refrigerator doors closed** to help foods stay cold and frozen.
2. If the power will be out for **more than 24 hours**:
 - a) Remove all frozen food and store it in a frozen food locker.

OR

- b) Place 2 lbs (907 g) of dry ice in the freezer for every cubic foot (28 L) of freezer space. This will keep the food frozen for two to four days. While handling dry ice, wear gloves to protect your hands from ice burns.

OR

- c) If neither a food locker nor dry ice is available, consume or can perishable food at once.

REMEMBER: A full freezer stays cold longer than a partially filled one. A freezer full of meat stays cold longer than a freezer full of baked goods. If you see that food contains ice crystals, it may be safely refrozen, although the quality and flavor may be affected. If the condition of the food is poor, or if you feel it is unsafe, dispose of it.

Vacation and Moving Care

Vacations

If you choose to leave the refrigerator on while you're away, use these steps to prepare your refrigerator before you leave.

1. Use up any perishables and freeze other items.
2. If your refrigerator has an automatic ice maker:
 - Raise ice maker arm to OFF (up) position.
 - Shut off water supply to the ice maker.
3. Empty the ice bin.

If you choose to turn the refrigerator off before you leave, follow these steps.

1. Remove all food from the refrigerator.
2. If your refrigerator has an automatic ice maker:
 - Turn off the water supply to the ice maker at least one day ahead of time.
 - When the last load of ice drops, raise the ice maker arm to the OFF (up) position.
3. Depending on your model, turn the Thermostat Control (or Refrigerator Control, depending on the model) to OFF. See the "Setting the Controls" section.
4. Clean refrigerator, wipe it, and dry well.
5. Tape rubber or wood blocks to the tops of both doors to prop them open far enough for air to get in. This stops odor and mold from building up.

Moving

When you are moving your refrigerator to a new home, follow these steps to prepare it for the move.

1. If your refrigerator has an automatic ice maker:
 - Turn off the water supply to the ice maker at least one day ahead of time.
 - Disconnect the water line from the back of the refrigerator.
 - When the last load of ice drops, raise the ice maker arm to the OFF (up) position.
2. Remove all food from the refrigerator and pack all frozen food in dry ice.
3. Depending on your model, turn the Thermostat Control (or Refrigerator Control, depending on the model) to OFF. See the "Setting the Controls" section.
4. Unplug the refrigerator.
5. Empty water from the defrost pan.
6. Clean, wipe, and dry thoroughly.
7. Take out all removable parts, wrap them well, and tape them together so they don't shift and rattle during the move.
8. Depending on the model, raise the front of the refrigerator so it rolls easier OR screw in the leveling legs so they don't scrape the floor. See the "Door Closing" section.
9. Tape the doors shut and the power cord to the refrigerator cabinet.

When you get to your new home, put everything back and refer to the "Installing Your Refrigerator" section for preparation instructions. Also, if your refrigerator has an automatic ice maker, remember to reconnect the water supply to the refrigerator.

TROUBLE-SHOOTING

Try the solutions suggested here first in order to avoid the cost of an unnecessary service call.

Your refrigerator will not operate

- **Is the power supply cord unplugged?**
Firmly plug the cord into a live outlet with proper voltage.
- **Has a household fuse or circuit breaker tripped?**
Replace the fuse or reset the circuit.
- **Is the refrigerator control turned to the "OFF" position?**
Refer to the "Setting the Controls" section.
- **Is the refrigerator defrosting?**
Recheck to see if the refrigerator is operating in 30 minutes. Your refrigerator will regularly run an automatic defrost cycle.

The lights do not work

- **Is the power supply cord unplugged?**
Firmly plug the cord into a live outlet with proper voltage.
- **Is a light bulb loose in the socket?**
Turn the refrigerator control to "OFF". Disconnect the refrigerator from the electrical supply. Gently remove the bulb and reinsert. Then reconnect the refrigerator to the electrical supply and reset the refrigerator control.
- **Is a light bulb burned out?**
Replace with an appliance bulb of the same wattage, size, and shape. See the "Changing the Light Bulbs" section.

There is water in the defrost drain pan

- **Is the refrigerator defrosting?**
The water will evaporate. It is normal for water to drip into the defrost pan.
- **Is it more humid than normal?**
Expect that the water in the defrost pan will take longer to evaporate. This is normal when it is hot or humid.

The motor seems to run too much

- **Is the room temperature hotter than normal?**
Expect the motor to run longer under warm conditions. At normal room temperatures, expect your motor to run about 40% to 80% of the time. Under warmer conditions, expect it to run even more of the time.
- **Has a large amount of food just been added to the refrigerator?**
Adding a large amount of food warms the refrigerator. It is normal for the motor to run longer in order to cool the refrigerator back down.
- **Is the door opened often?**
Expect the motor to run longer when this occurs. In order to conserve energy, try to get everything you need out of the refrigerator at once, keep food organized so it is easy to find, and close the door as soon as the food is removed.
- **Are the controls not set correctly for the surrounding conditions?**
Refer to the "Setting the Controls" section.
- **Are the doors not closed completely?**
Push the doors firmly shut. If they will not shut all the way, see "The doors will not close completely" later in this section.
- **Are the condenser coils dirty?**
This prevents air transfer and makes the motor work harder. Clean the condenser coils. Refer to the "Cleaning Your Refrigerator" section.
- **Are the door gaskets not sealed all the way around?**
Contact a qualified person or a technician.

NOTE: If the problem is not due to any of the above, remember that your new refrigerator will run longer than your old one due to its high efficiency motor.

The refrigerator seems to make too much noise

- **The sounds may be normal for your refrigerator.**
Refer to the "Understanding Sounds You May Hear" section.

The ice maker is not producing ice

- **Is the freezer temperature not cold enough to produce ice?**
Wait 24 hours after ice maker hook-up for ice production. Refer to the "Setting the Controls" section.
- **Is the ice maker arm in the "OFF" (arm up) position?**
Lower arm to the "ON" (arm down) position. See the "Ice Maker Operation" section.
- **Is the water line shut-off valve to the refrigerator not turned on?**
Turn on the water valve. See the "Connecting the Refrigerator to a Water Source" section.

- **Is an ice cube jammed in the ejector arm?**
Remove the ice from the ejector arm with a plastic utensil. Refer to the "Ice Maker Operation" section.
 - **Does the ice maker mold have water in it?**
Check to see if your refrigerator has been connected to your home water supply and the supply shut-off valve is turned on. Refer to the "Connecting the Refrigerator to a Water Source" section.
- NOTE:** If not due to any of the above, there may be a problem with the water line. Call for service.

The ice maker is producing too little ice

- **Has the ice maker just been installed?**
Wait 72 hours for full ice production to begin. Once your refrigerator is cooled down, the ice maker should begin producing 70-120 cubes every 24 hours.
- **Has a large amount of ice just been removed?**
Allow 24 hours for ice maker to produce more ice.
- **Are the controls set correctly?**
Refer to the "Setting the Controls" section.
- **Is the water shut-off valve turned completely on?**
Turn valve on fully. Refer to the "Connecting the Refrigerator to a Water Source" section.
- **Is there a water filter installed on the refrigerator?**
This filter may be clogged or installed incorrectly. First, check the filter installation instructions to ensure that the filter was installed correctly and is not clogged. If installation or clogging is not a problem, call a qualified person or a technician.

Off-taste, odor or grey color in the ice

- **Are the plumbing connections new, causing discolored or off-flavored ice?**
Discard the first few batches of ice.
- **Have the ice cubes been stored for too long?**
Throw old ice away and make a new supply.
- **Do the freezer and ice bin need to be cleaned?**
See the "Cleaning Your Refrigerator" section.
- **Has food in the freezer or refrigerator been wrapped properly?**
Refer to the "Food Storage Guide" section.
- **Does the water contain minerals (such as sulfur)?**
A filter may need to be installed to remove the minerals.
- **Is there a water filter installed on the refrigerator?**
Grey or dark discoloration in ice indicates that the water filtration system needs additional flushing. Run additional water through the water dispenser to flush the water filtration system more thoroughly (at least 2-3 gallons or 6-7 minutes initially). Discard discolored ice.

The ice dispenser will not operate properly

- **Is the freezer door closed completely?**
Push the door firmly shut. If it will not shut all the way, see “The doors will not close completely” later in this section.
- **Is the ice bin installed correctly?**
Push the ice bin in all the way. If the ice bin does not go in all the way, it may not be put in straight. Pull it out and try again.
- **Has the wrong ice has been added to the bin?**
Use only cubes produced by the current ice maker. If other cubes have been added, remove all cubes and check to see that none have become stuck in the delivery chute.
- **Has the ice frozen in the ice bin?**
Shake the ice bin to separate cubes. If cubes do not separate, empty bin and wait 24 hours for ice to restock.
- **Has the ice melted around the auger (metal spiral) in the ice bucket?**
Dump the ice cubes and clean the ice bucket completely. Allow 24 hours for the ice maker to restock. Do not try to remove the melted ice with a sharp object. You could damage the ice bucket.
- **Is ice stuck in the delivery chute?**
Clear the ice from the delivery chute with a plastic utensil. Do not use anything sharp to remove the ice. You could cause damage.
- **Is there ice in the bucket?**
See “The ice maker is not producing ice” earlier in this section.
- **Has the dispenser arm been held in too long?**
Release dispenser arm. Ice will stop dispensing when the arm is held in too long. Wait three minutes for dispenser motor to reset before using again. (For future use, take large amounts of ice directly from the ice maker so that the dispenser arm is not held in too long.)

The water dispenser will not operate properly

- **Is the freezer door not closed completely?**
Push the door firmly shut. If it will not shut all the way, see “The doors will not close completely” later in this section.
- **Has the water tank not filled?**
The water tank needs to be filled the first time it is used. Depress the water dispenser bar with a large container until you draw two or three quarts (1.9 to 2.8 L) of water. Discard water. (Refer to the “Water and Ice Dispensers” section for further instructions on filling the water tank.)
- **Is the water shut-off valve not turned on or the water line connected at the source?**
Check to be sure the water shut-off valve is turned on and the water source is connected to the refrigerator. Refer to the “Connecting the Refrigerator to a Water Source” section for directions.

- **Is the water shut-off valve clogged or incorrectly installed?**
Refer to the “Connecting the Refrigerator to a Water Source” section. If clogging or installation is not a problem, call for service or a contact a plumber.
- **Is there a kink in the home water source line?**
If you find or suspect a kink in the water line, call for service.
- **Is there a water filter installed on the refrigerator?**
This filter may be clogged or incorrectly installed. First, check the filter installation instructions to ensure that the filter was installed correctly and is not clogged. If installation or clogging is not a problem, call for service.

Water or ice is leaking from the dispenser

- **Is the glass not being held under the ice dispenser long enough, causing the ice to spill?**
Hold the container under the ice chute for two to three seconds after releasing the dispenser lever. A small amount of ice may dispense after the lever is released.
- **Is the glass not being held under the water dispenser long enough, causing water to drip?**
Hold the container under the water dispenser two to three seconds after releasing the dispenser lever. Water may continue to dispense during this time.
- **Is an ice cube stuck in the chute and holding the trap door open?**
Remove the cube.
- **Is there a water filter installed on the refrigerator?**
The water filtration system may have air in the lines, causing water to drip. Additional flushing may help clear air from the lines. Normal dispenser use should flush air from the lines within 24-72 hours.

The dispenser water is not cool enough

- **Has the refrigerator been newly installed?**
Allow 24 hours for the tank to cool completely.
- **Has a large amount of water been recently dispensed?**
Allow 24 hours for the tank to cool completely.
- **Has water not been recently dispensed?**
The first glass of water may not be cool. Discard the first glass of water.

The divider between the two compartments is warm

- The warmth is probably due to normal operation of the automatic exterior moisture control. If still concerned, call for service.

Temperature is too warm

- **Are the air vents blocked in either compartment? This prevents the movement of cold air from the freezer to the refrigerator.**
Remove any objects from in front of the air vents. Refer to the “Ensuring Proper Air Circulation” section for the location of air vents.
- **Are the door(s) opened often?**
Be aware that the refrigerator will warm when this occurs. In order to keep the refrigerator cool, try to get everything you need out of the refrigerator at once, keep food organized so it is easy to find, and close the door as soon as the food is removed.
- **Has a large amount of food just been added to the refrigerator or freezer?**
Adding a large amount of food warms the refrigerator. It can take several hours for the refrigerator to return to the normal temperature.
- **Are the controls set correctly for the surrounding conditions?**
Refer to the “Setting the Controls” section.

There is interior moisture build-up

- **Are the air vents blocked in the refrigerator?**
Remove any objects from in front of the air vents. Refer to the “Ensuring Proper Air Circulation” section for the location of air vents.
- **Are the door(s) opened often?**
To avoid humidity build-up, try to get everything you need out of the refrigerator at once, keep food organized so it is easy to find, and close the door as soon as the food is removed. (When the door is opened, humidity from the room air enters the refrigerator. The more often the door is opened, the faster humidity builds up, especially when the room itself is very humid.)
- **Is the room humid?**
It is normal for moisture to build up inside the refrigerator when the room air is humid.
- **Is the food packaged correctly?**
Check that all food is securely wrapped. Wipe off damp food containers before placing in the refrigerator.
- **Are the controls set correctly for the surrounding conditions?**
Refer to the “Setting the Controls” section.
- **Was a self-defrost cycle completed?**
It is normal for droplets to form on the back wall after the refrigerator self-defrosts.

The doors will not close completely

- **Are food packages blocking the door open?**
Rearrange containers so that they fit more tightly and take up less space.
- **Is the ice bin out of position?**
Push the ice bin in all the way.
- **Are the pans, shelves, bins, or baskets out of position?**
Put the crisper cover and all pans, shelves, bins, and baskets back into their correct position. See the “Crisper and Crisper Cover” section for more information.
- **Are the gaskets sticking?**
Clean gaskets and then apply paraffin wax according to the directions in the “Cleaning Your Refrigerator” section.
- **Does the refrigerator wobble or seem unstable?**
Level the refrigerator. Refer to the “Door Closing and Alignment” section.
- **Were the doors removed during product installation and not properly replaced?**
Remove and replace the doors according to the “Removing the Doors” section, or call a qualified service technician.

The doors are difficult to open

- **Are the gaskets dirty or sticky?**
Clean gaskets according to the directions in the “Cleaning Your Refrigerator” section.

Water flow from the dispenser decreases noticeably

- **Is there a water filter installed on the refrigerator? This filter may be full or incorrectly installed.**
Remove the water filter cartridge (see the “Water Filtration System” section.) Operate the dispenser. If the water flow increases noticeably, your filter is full and needs to be replaced.

ASSISTANCE OR SERVICE

Before calling for assistance or service, please check "Troubleshooting." It may save you the cost of a service call. If you still need help, follow the instructions below.

When calling, please know the purchase date and the complete model and serial number of your appliance. This information will help us to better respond to your request.

If you need replacement parts

If you need to order replacement parts, we recommend that you only use factory specified replacement parts. Factory specified replacement parts will fit right and work right because they are made with the same precision used to build every new KitchenAid appliance.

To locate factory specified replacement parts in your area, call our Consumer Assistance Center telephone number or your nearest designated service center.

In the U.S.A.

Call the KitchenAid Consumer Assistance Center toll free: **1-800-422-1230**.

Our consultants provide assistance with:

- Features and specifications on our full line of appliances.
- Installation information.
- Use and maintenance procedures.
- Accessory and repair parts sales.
- Specialized customer assistance (Spanish speaking, hearing impaired, limited vision, etc.).
- Referrals to local dealers, repair parts distributors, and service companies. KitchenAid designated service technicians are trained to fulfill the product warranty and provide after-warranty service, anywhere in the United States.

To locate the KitchenAid designated service company in your area, you can also look in your telephone directory Yellow Pages.

For further assistance

If you need further assistance, you can write to KitchenAid with any questions or concerns at:

KitchenAid Brand Home Appliances
Consumer Assistance Center
c/o Correspondence Dept.
2000 North M-63
Benton Harbor, MI 49022-2692

Please include a daytime phone number in your correspondence.

In Canada

Call the KitchenAid Canada Consumer Assistance Center toll free: **1-800-461-5681** 8:30 a.m. - 6:00 p.m. (EST).

Our consultants provide assistance with:

- Features and specifications on our full line of appliances.
- Referrals to local dealers.

For service in Canada

Call **1-800-807-6777**. KitchenAid Canada designated service technicians are trained to fulfill the product warranty and provide after-warranty service, anywhere in Canada.

For further assistance

If you need further assistance, you can write to KitchenAid Canada with any questions or concerns at:

Consumer Relations Center
KitchenAid Canada
1901 Minnesota Court
Mississauga, Ontario L5N 3A7

Please include a daytime phone number in your correspondence.

WARRANTY KITCHENAID® REFRIGERATOR

FULL ONE-YEAR WARRANTY ON REFRIGERATOR

For one year from the date of purchase, when this refrigerator (excluding the water filter) is operated and maintained according to instructions attached to or furnished with the product, KitchenAid will pay for factory specified replacement parts and repair labor to correct defects in materials or workmanship. Service must be provided by a KitchenAid designated service company.

30 day limited warranty on water filter. For 30 days from the date of purchase, when this filter is operated and maintained according to instructions attached to or furnished with the product, KitchenAid will pay for replacement parts to correct defects in materials and workmanship.

SECOND THROUGH FIFTH YEAR FULL WARRANTY

In second through fifth years from the date of purchase, KitchenAid will pay for replacement or repair of the refrigerator/freezer cavity liner (including labor costs) if the part cracks due to defective materials workmanship. Service must be provided by a KitchenAid designated service company.

Also, KitchenAid will pay for factory specified replacement parts and repair labor costs to correct defects in materials or workmanship in the sealed refrigeration system. These parts are compressor, evaporator, condenser, drier, and connecting tubing. Service must be performed by a KitchenAid designated service company.

SIXTH THROUGH TENTH YEAR LIMITED WARRANTY

In sixth through tenth years from date of purchase, replacement parts to correct defects in materials or workmanship in the sealed refrigeration system. These parts are compressor, evaporator, condenser, drier, and connecting tubing. Service must be performed by a KitchenAid designated service company.

LIMITED LIFETIME WARRANTY

In second year through life of product from date of purchase, KitchenAid will pay for replacement of all SLIDE 'N' LOCK™ Door Bins and SLIDE 'N' LOCK™ Can Racks due to defective materials or workmanship.

KitchenAid will not pay for:

1. Service calls to correct the installation of your refrigerator, to instruct you how to use your refrigerator, to replace house fuses or correct house wiring or plumbing, to replace light bulbs, or replacement water filters other than as noted above.
 2. Repairs when your refrigerator is used in other than normal, single-family household use.
 3. Damage resulting from accident, alteration, misuse, abuse, fire, flood, acts of God, or use of product not approved by KitchenAid or KitchenAid Canada.
 4. Any food loss due to product failure.
 5. Any labor costs during the limited warranty period.
 6. Replacement parts or repair labor costs for units operated outside the United States or Canada.
 7. Pickup and delivery. This product is designed to be repaired in the home.
 8. Repairs to parts or systems resulting from unauthorized modifications made to the appliance.
 9. In Canada, travel or transportation expenses for customers who reside in remote areas.
-

KITCHENAID AND KITCHENAID CANADA CORPORATION SHALL NOT BE LIABLE FOR INCIDENTAL OR CONSEQUENTIAL DAMAGES.

Some states or provinces do not allow the exclusion or limitation of incidental or consequential damages, so this exclusion or limitation may not apply to you. This warranty gives you specific legal rights, and you may also have other rights which vary from state to state or province to province.

Outside the United States and Canada, a different warranty may apply. For details, please contact your authorized KitchenAid dealer.

If you need service, first see the "Troubleshooting" section of this book. After checking "Troubleshooting," additional help can be found by checking the "Requesting Assistance or Service" section or by calling the KitchenAid Consumer Assistance Center, 1-800-422-1230 (toll-free), from anywhere in the U.S.A. In Canada, contact your authorized KitchenAid Appliance service company or call 1-800-807-6777. 3/99

For warranty information in Canada:

Please contact your authorized KitchenAid dealer or call the Consumer Assistance Centre at 1-800-461-5681 (toll free) between 8:30 a.m. and 6 p.m. EST from anywhere in Canada.

Keep this book and your sales slip together for future reference. You must provide proof of purchase or installation date for in-warranty service.

Write down the following information about your refrigerator to better help you obtain assistance or service if you ever need it. You will need to know your complete model number and serial number. You can find this information on the model and serial number label, located on your appliance as shown in the Parts and Features section of this book.

Dealer name _____

Address _____

Phone number _____

Model number _____

Serial number _____

Purchase date _____

WATER FILTER CERTIFICATIONS

State of California
Department of Health Services
Water Treatment Device
Certificate Number
98 - 1343

Date Issued: June 9, 1998

Trademark/Model Designation

WF-L500

Replacement Elements

L500

Manufacturer: Whirlpool Corp.

The water treatment device(s) listed on this certificate have met the testing requirements pursuant to Section 116830 of the Health and Safety Code for the following health related contaminants:

Microbiological Contaminants and Turbidity

None

Inorganic/Radiological Contaminants

Lead

Organic Contaminants

None

Rated Service Capacity: 500 gallons

Rated Service Flow: 0.5 gpm

Do not use with water that is microbiologically unsafe or of unknown quality, without adequate disinfection before or after the system.

Product Data Sheet

Water Filtration System Model WF-L500

NSF This product has been tested and certified by NSF International under ANSI/NSF Standard 42 for Chlorine reduction (Class I), Taste and Odor reduction and to Standard 53 for Lead reduction.

Specifications: Lead and Taste/Odor/Chlorine reduction (Class I) capacity
500 Gallons (1893 Liters)
 Service Flow Rate 0.5 GPM (1.89 L/min) @ 60 psi

General Performance	Average Influent	Maximum Effluent	Average Effluent	Minimum % Reduction	Average % Reduction	NSF Test Requirement
Chlorine	2.0 mg/L	N/A	0.1 mg/L	N/A	93%	minimum 75% reduction (Class I)

Contaminant Reduction Performance ^{††}	U.S. EPA MCL	Average Influent	Maximum Effluent	Average Effluent	Minimum % Reduction	Average % Reduction	NSF Test Requirement
Lead @ pH 6.5	0.015 mg/L [†]	0.16 mg/L [†]	0.007 mg/L	0.004 mg/L	95%	97%	maximum effluent 0.015 mg/L
Lead @ pH 8.5	0.015 mg/L [†]	0.14 mg/L [†]	0.012 mg/L	0.008 mg/L	91%	94%	maximum effluent 0.015 mg/L

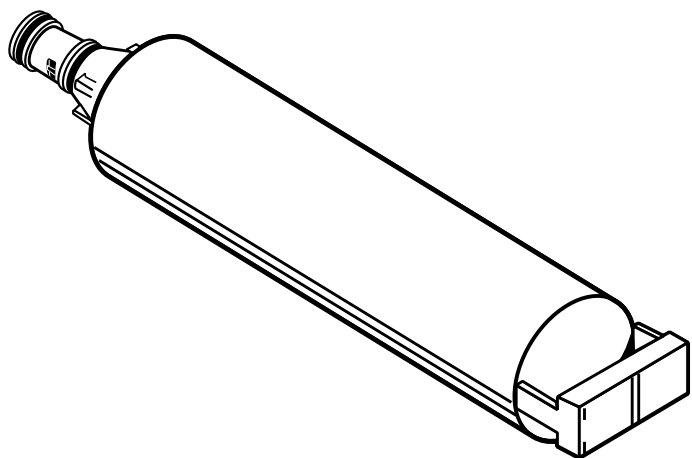
[†] Test requirement is 0.15 mg/L ± 10%

^{††} These contaminants are not necessarily in your water supply. Performance may vary based on local water conditions.

Application Guidelines/ Water Supply Parameters

Water Supply	City or Well
Water Pressure	30-120 psi (207-827 kPa)
Water Temperature	33°-100°F (0.6°-37.8°C)

- It is essential that operational, maintenance, and filter replacement requirements be carried out for this product to perform as advertised.
- The filter monitor system measures the amount of water that passes through the filter and alerts you to replace the filter. When 90% of the filter's rated life is used, the filter indicator light changes from green to yellow. When 100% of the filter's rated life is used, the filter indicator light changes from yellow to red, and it is recommended that you replace the filter. Use replacement cartridge part #L500 or #4392857. 1998 suggested retail price of \$29.95 U.S.A./\$39.95 Canada.
- The product is for cold water use only.
- Do not use with water that is microbiologically unsafe or of unknown quality without adequate disinfection before or after the system.



® NSF is a registered trademark of NSF International

SÉCURITÉ DU RÉFRIGÉRATEUR

Votre sécurité et celle des autres est très importante.

Nous donnons de nombreux messages de sécurité importants dans ce manuel et sur votre appareil ménager. Assurez-vous de toujours lire tous les messages de sécurité et de vous y conformer.



Voici le symbole d'alerte de sécurité.

Ce symbole d'alerte de sécurité vous signale les dangers susceptibles de causer le décès et des blessures graves à vous et à d'autres.

Tous les messages de sécurité seront précédés du symbole d'alerte de sécurité et du mot "DANGER" ou "AVERTISSEMENT". Ces mots signifient :

! DANGER

Risque certain de décès ou de blessure grave si vous ne suivez pas les instructions.

! AVERTISSEMENT

Risque possible de décès ou de blessure grave si vous ne suivez pas les instructions.

Tous les messages de sécurité identifient le danger et vous disent comment réduire le risque de blessure et ce qui peut se produire en cas de non-respect des instructions.

IMPORTANTES INSTRUCTIONS DE SÉCURITÉ

AVERTISSEMENT : Pour réduire les risques d'incendie, de choc électrique ou des blessures lors de l'utilisation du réfrigérateur, prendre quelques précautions fondamentales, y compris les suivantes :

- Brancher l'appareil sur une prise à 3 alvéoles reliée à la terre.
- Ne pas enlever la broche de liaison à la terre.
- Ne pas utiliser un adaptateur.
- Ne pas utiliser un câble de rallonge.
- Utiliser deux ou plus de personnes pour déplacer et installer le réfrigérateur.
- Débrancher la source de courant électrique avant l'entretien.
- Replacer tous les panneaux avant de faire la remise en marche.
- Utiliser un produit de nettoyage ininflammable.
- Garder les matériaux et les vapeurs inflammables, telle que l'essence, loin du réfrigérateur.
- Débrancher le réfrigérateur avant l'installation de la machine à glaçons.
- Utiliser un verre robuste pour prendre des glaçons ou de l'eau (sur certains modèles).
- Enlever les portes de votre vieux réfrigérateur.

CONSERVEZ CES INSTRUCTIONS

Mise au rebut de votre vieux réfrigérateur

! AVERTISSEMENT

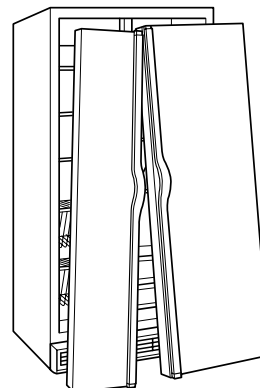
Risque de suffoquer

Enlever les portes de votre vieux réfrigérateur.

Le non-respect de cette instruction peut causer un décès ou des lésions cérébrales.

Avant de jeter votre vieux réfrigérateur ou congélateur :

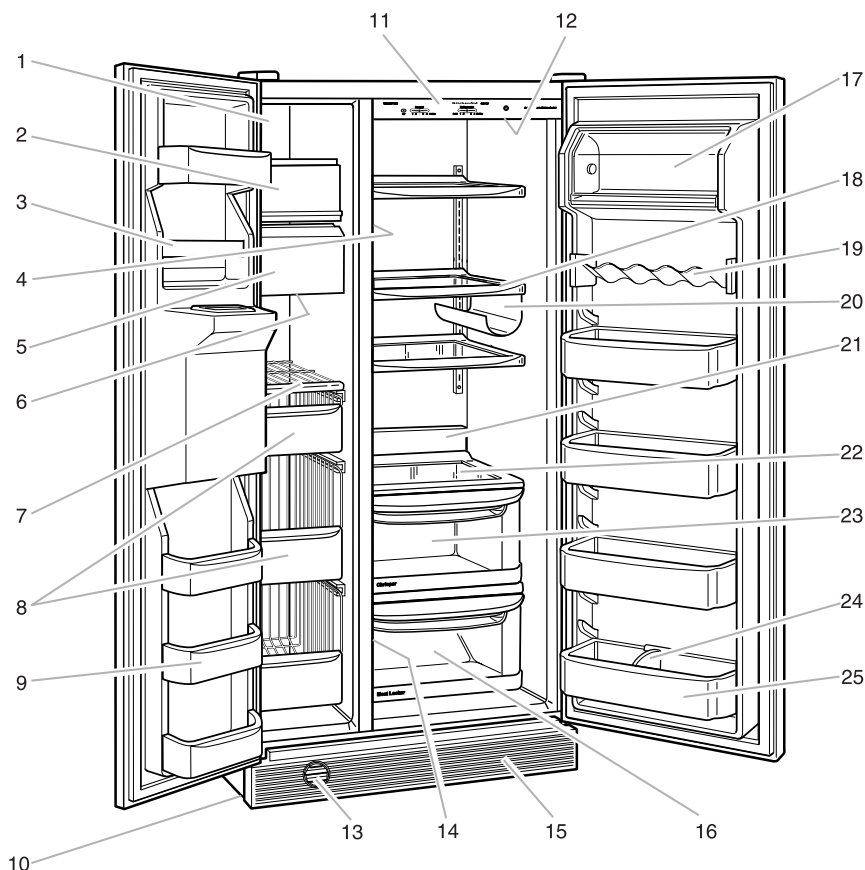
- Enlever les portes.
- Laisser les tablettes en place de sorte que les enfants ne peuvent pas y pénétrer facilement.



IMPORTANT – L'emprisonnement et l'étouffement des enfants ne sont pas un problème du passé. Les réfrigérateurs jetés ou abandonnés sont encore dangereux, même s'ils sont laissés abandonnés pendant "quelques jours seulement". Si vous vous débarrassez de votre vieux réfrigérateur, veuillez suivre les instructions suivantes pour aider à éviter les accidents.

PIÈCES ET CARACTÉRISTIQUES

Ce manuel couvre plusieurs modèles différents. Le réfrigérateur que vous avez acheté peut avoir certaines ou toutes les caractéristiques indiquées ci-dessous. Les emplacements des caractéristiques peuvent ne pas correspondre à votre modèle.



1. Lampe supérieure du congélateur
 2. Machine à glaçons automatique (sur certains modèles)
 3. Tringles déposées dans la porte
 4. Plaque signalétique des numéros de modèle et de série (sur paroi latérale)
 5. Bac à glaçons (sur certains modèles)
 6. Lampe du congélateur (en-dessous du bac à glaçons de la machine)
 7. Clayette de congélateur amovible
 8. Paniers du congélateur sur glissière (le nombre varie selon le modèle)
 9. Tringles enclenchables dans la porte
 10. Roulettes de nivellement (derrière la grille de la base)
 11. Tableau de commande
 12. Éclairage
 13. Système de filtrage d'eau (AQUASENSE™) (sur certains modèles)
 14. Réglage de la température du bac convertible à légumes/viande (FRESH CHILL™) (sur paroi latérale)
 15. Grille de la base
 16. Bac à légumes/viande (FRESH CHILL™) avec couvercle
 17. Compartiment utilitaire
 18. Tablettes en verre (ROLLER TRAC™ SPILLCLEAN™)
 19. Porte-cannettes (le nombre varie selon le modèle)
 20. Casier à vin
 21. Éclairage du bac à légumes
 22. Couvercle de bac à légumes avec contrôle de l'humidité
 23. Bac à légumes
 24. Compartiment dans la porte avec Stor-Lock
 25. Compartiments dans la porte (SLIDE 'N' LOCK™) (sur certains modèles)
- Autres pièces et caractéristiques**
(non illustrées ci-dessus/facultatives sur certains modèles)
- Plateaux pour glaçons
Commande de l'humidité du bac à légumes
Oeufrier/compartiment utilitaire

INSTALLATION DU RÉFRIGÉRATEUR

Déballage de votre réfrigérateur

⚠ AVERTISSEMENT

Risque du poids excessif

Utiliser deux ou plus de personnes pour déplacer et installer le réfrigérateur.

Le non-respect de cette instruction peut causer une blessure au dos ou d'autre blessure.

Enlèvement des matériaux d'emballage

- Enlever le ruban adhésif et toutes les étiquettes de votre réfrigérateur avant de l'utiliser (excepté l'étiquette des numéros de modèle et de série).

Pour enlever ce qui reste du ruban adhésif ou de l'adhésif, frotter la surface vivement avec le pouce. La colle ou l'adhésif qui reste peut être facilement enlevé par frottement avec les doigts et une petite quantité de savon liquide pour la vaisselle sur l'adhésif. Rincer à l'eau tiède et essuyer.

- Ne pas utiliser d'instruments acérés, d'alcool à friction, de liquides inflammables ou de nettoyants abrasifs pour enlever le ruban adhésif ou la colle. Ces produits peuvent endommager la surface de votre réfrigérateur. Voir "Importantes instructions de sécurité" pour plus de renseignements, à la section "Sécurité du réfrigérateur".

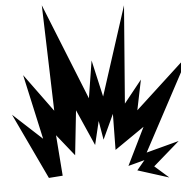
IMPORTANT : Ne pas enlever les étiquettes permanentes d'instruction à l'intérieur du réfrigérateur, ou la fiche technique fixée à la base de la grille.

Nettoyage avant l'utilisation

Après avoir enlevé tous les matériaux d'emballage, nettoyer l'intérieur du réfrigérateur avant de l'utiliser. Voir les instructions de nettoyage dans la section "Entretien de votre réfrigérateur".

Espacement requis

⚠ AVERTISSEMENT

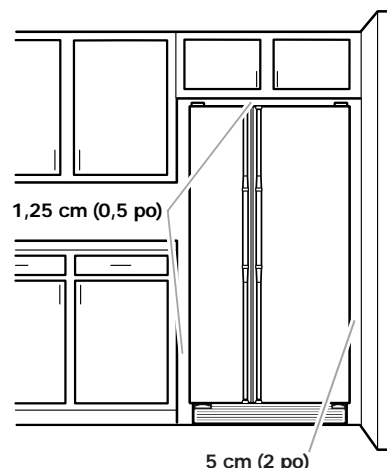


Risque d'explosion

Garder les matériaux et les vapeurs inflammables, telle que l'essence, loin du réfrigérateur.

Le non-respect de cette instruction peut causer un décès, une explosion ou un incendie.

- Pour obtenir une aération appropriée pour votre réfrigérateur, laisser un espace de 1,25 cm (0,5 po) de chaque côté et au sommet.



- Si votre réfrigérateur comporte une machine à glaçons, s'assurer qu'un espace additionnel est prévu à l'arrière pour permettre les connexions des conduits d'eau. Le réfrigérateur peut être près du mur arrière si vous ne faites pas installer une machine à glaçons.
- Si vous installez votre réfrigérateur près d'un mur fixe, laisser un minimum de 5,08 cm (2 po) du côté des charnières (selon le modèle) pour permettre à la porte de s'ouvrir sans obstruction.

REMARQUE : Ne pas installer le réfrigérateur près d'un four, d'un radiateur ou d'une autre source de chaleur, ni dans un endroit où la température baissera au-dessous de 13° C (55° F).

Spécifications électriques

⚠️ AVERTISSEMENT



Risque de choc électrique

Brancher sur une prise à 3 alvéoles reliée à la terre.

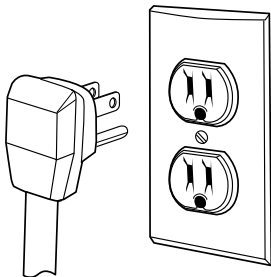
Ne pas enlever la broche de liaison à la terre.

Ne pas utiliser un adaptateur.

Ne pas utiliser un câble de rallonge.

Le non-respect de ces instructions peut causer un décès, un incendie ou un choc électrique.

Avant de placer le réfrigérateur à son emplacement final, il est important de vous assurer d'avoir la connexion électrique appropriée :



Méthode recommandée de mise à la terre

Une source d'alimentation de 115 volts, 60 Hz, type 15 ou 20 ampères CA seulement, protégée par fusibles et adéquatement mise à la terre est nécessaire. Il est recommandé d'utiliser un circuit distinct pour alimenter uniquement votre réfrigérateur. Utiliser une prise murale qui ne peut pas être mise hors circuit à l'aide d'un commutateur. Ne pas employer de rallonge.

REMARQUE : Avant d'exécuter toute type d'installation, nettoyage ou remplacement d'une ampoule d'éclairage, tourner le réglage (réglage du thermostat, du réfrigérateur ou du congélateur selon le modèle) à OFF (ARRÊT) et débrancher ensuite le réfrigérateur de la source d'alimentation électrique. Lorsque vous avez terminé, reconnecter le réfrigérateur à la source d'alimentation électrique et mettre de nouveau le réglage (réglage du thermostat, du réfrigérateur ou du congélateur selon le modèle) au réglage désiré.

Enlèvement des portes

⚠️ AVERTISSEMENT



Risque de choc électrique

Déconnecter la source de courant électrique avant d'enlever les portes.

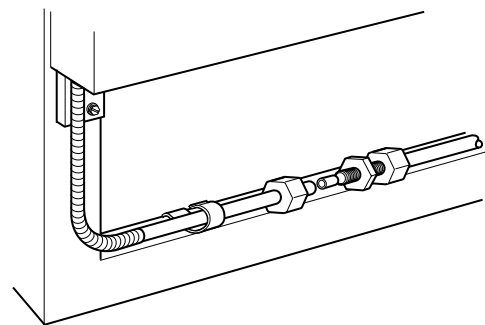
Le non-respect de cette instruction peut causer un décès ou un choc électrique.

REMARQUE : Avant d'enlever les portes, ouvrir les deux portes et retirer la grille de la base (voir la section "Grille de la base").

Outils requis :

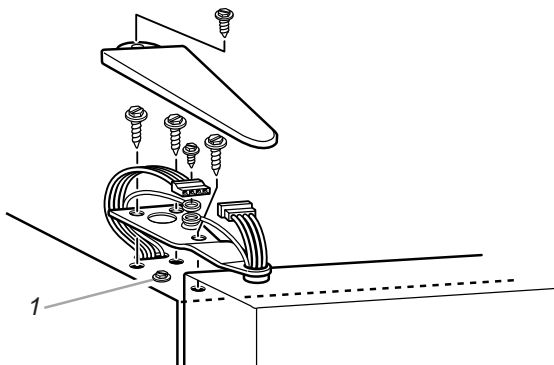
Clé à douille à tête hexagonale de ¼ po, clé à douille à tête hexagonale de 5/16 po.

1. Débrancher le réfrigérateur ou déconnecter la source de courant électrique.
2. Si vous avez un distributeur (glaçons ou eau), déconnecter le conduit d'eau (derrière la grille de la base).
 - Enlever le tuyau de la bride.
 - Débrancher l'anneau de raccord et le glisser sur le tube.
 - Enlever l'insertion de métal du tube.
 - Enlever l'anneau de raccord et le ressort.



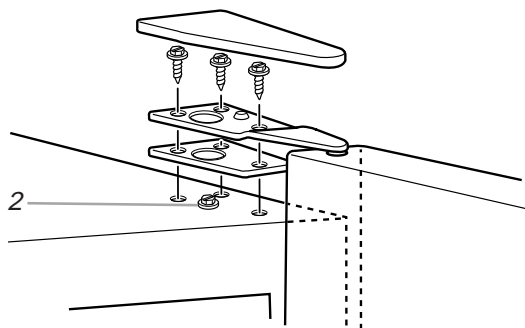
3. Enlever la charnière supérieure à gauche.

- Enlever le couvercle de la charnière et les vis. **NE PAS ENLEVER LA VIS 1, TEL QU'INDIQUÉ DANS LE SCHÉMA.**
- Débrancher la fiche et les deux fils de liaison à la terre.
- Soulever soigneusement la porte de la charnière inférieure. S'assurer de protéger le conduit d'eau contre les dommages.



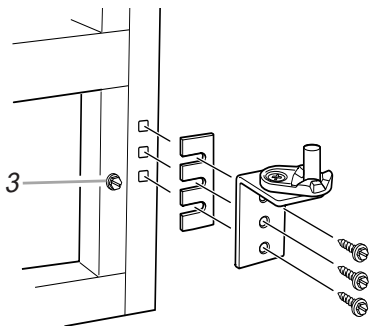
4. Démontez la charnière supérieure à droite.

- Enlever le couvercle de la charnière et les vis. **NE PAS ENLEVER LA VIS 2 TEL QU'ILLUSTRÉ DANS LE SCHÉMA.**
- Soulever la porte de la charnière inférieure.




5. Enlever la charnière inférieure si nécessaire. Les deux charnières à la base ont une construction semblable. **NE PAS ENLEVER LA VIS 3 TEL QU'ILLUSTRÉ DANS LE SCHÉMA.**

REMARQUE : Il peut ne pas être nécessaire d'enlever la charnière inférieure pour déplacer le réfrigérateur dans un cadre de porte.



6. Réinstaller les portes.

⚠ AVERTISSEMENT



Risque de choc électrique
Reconnecter les deux fils de liaison à la terre.
Le non-respect de cette instruction peut causer un décès ou un choc électrique.

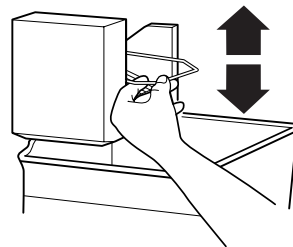
7. Reconnecter la fiche et les deux fils de liaison à la terre.
8. Réinstaller le couvercle de la charnière et les vis.
9. Brancher le réfrigérateur ou reconnecter la source de courant électrique.

Préparation du système d'eau

Veuillez lire avant l'installation

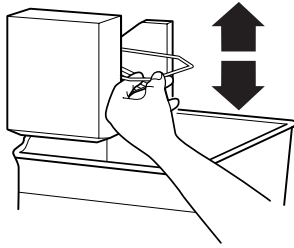
Immédiatement après l'installation, suivre les étapes ci-dessous pour avoir la certitude que le système d'eau est bien nettoyé.

1. Arrêter la machine à glaçons en ouvrant la porte du congélateur et en soulevant le levier de signal comme illustré.



2. Vider le système d'eau en laissant couler et en jetant 2 à 3 gallons (environ 6 à 7 minutes) d'eau à travers le distributeur. Ceci nettoie le système d'eau et aide à dégager l'air des conduits. Un écoulement additionnel peut être requis dans certains domiciles.

3. Mettre la machine à glaçons en marche en ouvrant la porte du congélateur et en abaissant le levier de signal comme illustré.



4. Accorder 24 heures pour produire la première quantité de glaçons. La machine à glaçons devrait ensuite produire environ 7 à 9 lots de glaçons au cours d'une période de 24 heures. Jeter les trois premiers lots de glaçons produits.

Raccordement du réfrigérateur à une canalisation d'eau

Lire attentivement toutes les instructions avant de commencer.

IMPORTANT :

- Si on doit utiliser le réfrigérateur avant qu'il soit raccordé à la canalisation d'eau, placer la commande de la machine à glaçons à la position d'arrêt (OFF) pour empêcher que la machine à glaçons fonctionne sans eau.
- Toutes les installations doivent être conformes aux exigences des codes locaux de plomberie.
- Utiliser un tube en cuivre et vérifier s'il y a des fuites.
- Installer les tubes en cuivre seulement à des endroits où la température se maintient au-dessus du point de congélation.
- Une période d'attente allant jusqu'à 24 heures est nécessaire avant que l'appareil commence à produire des glaçons.

Outils requis :

- Tournevis standard
- Clés plates de $\frac{7}{16}$ -po et $\frac{1}{2}$ -po ou deux clés à molette réglables
- Tourne-écrou de $\frac{1}{4}$ -po
- Foret de $\frac{1}{4}$ -po
- Perceuse manuelle ou perceuse électrique (convenablement reliée à la terre)

REMARQUE : Votre marchand de réfrigérateurs présente une trousse disponible avec un robinet de genre à selle de $\frac{1}{4}$ -po, un raccord et un tube en cuivre. Avant l'achat, s'assurer que le robinet de genre à selle est conforme à vos codes locaux de plomberie. Ne pas employer de robinet de genre à selle ou de $\frac{3}{16}$ -po de type à percer, ce qui réduit le débit d'eau et cause une obstruction plus facilement.

Arrivée d'eau froide

La valve d'entrée d'eau de la machine à glaçons comprend une rondelle de contrôle du débit, qui est utilisée comme élément de régulation de la pression d'eau. La machine à glaçons a besoin d'être connectée à une canalisation d'eau froide avec limitations de pression d'eau de 30 à 120 lb-po². Si un problème survient, contacter la compagnie de distribution d'eau.

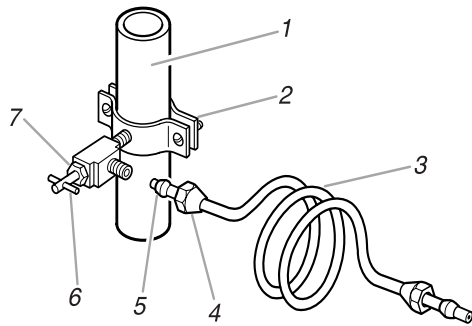
Raccordement à une canalisation d'eau :

1. Débrancher le réfrigérateur ou déconnecter la source de courant électrique.
2. Fermer (OFF) le robinet principal d'arrivée d'eau. Ouvrir (ON) le robinet de puisage le plus proche pendant une période suffisante pour que la canalisation d'eau se vide.
3. Trouver une canalisation d'eau FROIDE verticale de 1,3 à 3,2 cm ($\frac{1}{2}$ -po à $1\frac{1}{4}$ -po) près du réfrigérateur.

REMARQUE : Un conduit horizontal fonctionnera, mais le procédé suivant doit être suivi : percer par le dessus de la canalisation et non pas par le dessous. Ainsi, l'eau ne risquera pas d'arroser la perceuse. Ceci empêche également les sédiments qu'on trouve normalement dans l'eau de s'accumuler dans le robinet d'arrêt.

4. Pour déterminer la longueur du tube en cuivre, il faut mesurer la distance entre le point de connexion à gauche au bas à l'arrière du réfrigérateur et le tuyau d'arrivée d'eau. Ajouter une longueur de 7 pieds (2,1 m) pour permettre le déplacement du réfrigérateur pour le nettoyage. Utiliser un tube en cuivre de $\frac{1}{4}$ po de diamètre. Veiller à ce que le tube soit coupé d'équerre aux deux extrémités.

- À l'aide d'une perceuse électrique reliée à la terre, percer un trou de 1/4-po dans le tuyau de canalisation d'eau froide choisie.

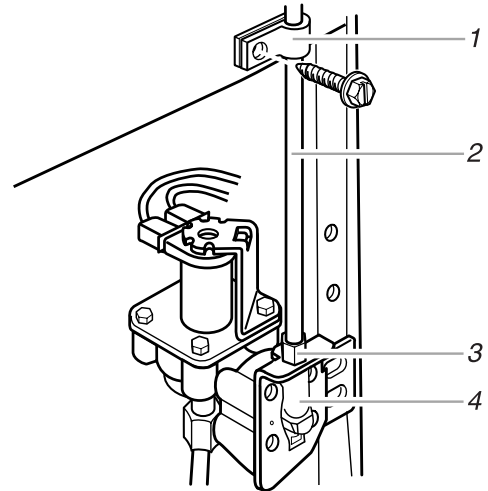


- Canalisation d'eau froide
- Bride de tuyau
- Tube en cuivre
- Écrou de compression
- Bague de compression
- Robinet d'arrêt
- Écrou de serrage

- Fixer le robinet sur la canalisation d'eau froide avec la bride de prise en charge. Vérifier que le raccord du robinet est bien engagé dans le trou de 1/4-po percé dans la canalisation et que la rondelle d'étanchéité est placée sous la bride de prise en charge. Serrer l'écrou de serrage sur la tige du robinet. Serrer soigneusement et uniformément les vis fixant la bride de prise en charge sur la tuyauterie afin que la rondelle forme une jonction étanche. Ne pas serrer excessivement car ceci pourrait provoquer l'écrasement du tube en cuivre, particulièrement s'il s'agit d'un tube en cuivre malléable. On est maintenant prêt à connecter le tube de raccordement en cuivre.
- Enfiler l'écrou et la bague de compression du raccord sur le tube en cuivre comme on le voit sur l'illustration. Insérer l'extrémité du tube aussi loin que possible dans l'ouverture de sortie du robinet. Visser l'écrou du raccord de compression sur le raccord de sortie avec une clé à molette. Ne pas serrer excessivement.
- Placer le bout libre du tube dans l'évier et OUVRIRE le robinet principal d'arrivée d'eau et laisser l'eau s'écouler par le tube jusqu'à ce que l'eau soit limpide. FERMER le robinet principal d'arrivée d'eau. Enrouler le tube en cuivre en spirale.

Raccordement au réfrigérateur :

- Connecter le tube en cuivre au robinet d'eau en utilisant un écrou et une bague de compression tel qu'illustré. Serrer l'écrou de compression. Ne pas serrer excessivement. Réattacher la bride du tube et le tube à l'arrière de la caisse. Passer à l'étape 2.
- OUVRIR** le robinet d'arrêt. **Inspecter pour rechercher les fuites. Serrer tous les raccords (y compris les raccords de la valve d'entrée d'eau) ou les écrous qui coulent.**



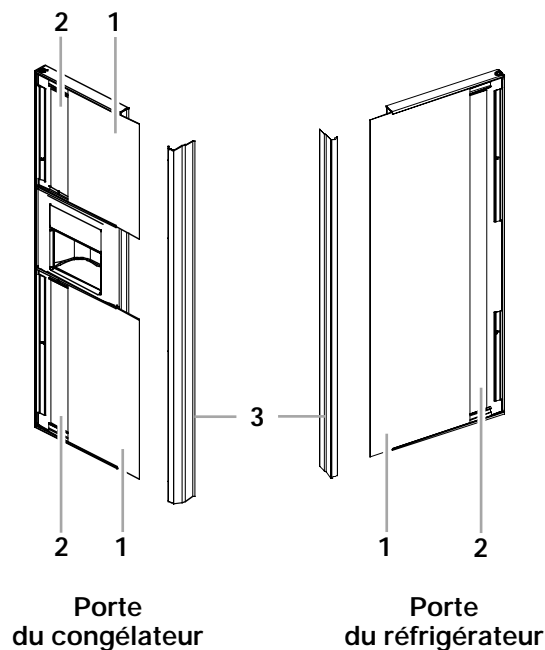
- Bride du tube
- Tube en cuivre
- Bague de compression
- Entrée d'eau de la valve

- La machine à glaçons est équipée d'un filtre à eau incorporé. Si la qualité de l'eau distribuée localement nécessite un nettoyage périodique, ou si l'eau qui alimente l'appareil provient d'un puits, il serait utile d'installer un deuxième filtre dans le tube de raccordement de 1/4-po. On peut obtenir un tel filtre à eau chez le marchand d'appareils électroménagers le plus proche. Installer le filtre au niveau de n'importe laquelle des connexions du tube de raccordement.
- Brancher le réfrigérateur ou reconnecter la source de courant électrique.

Ensembles décoratifs de l'usine

(sur certains modèles)

Une occasion peut survenir lorsque vous devez enlever l'ensemble décoratif installé à l'usine, comme les cas de déménagement du réfrigérateur à une nouvelle habitation ou l'installation de panneaux décoratifs sur demande. **Veillez bien lire toutes les instructions avant d'enlever l'ensemble décoratif et les panneaux.**



1. Panneaux décoratif
2. Panneaux de remplissage
3. Poignées

Enlèvement des panneaux de la porte

REMARQUE : Lors de l'enlèvement et du remplacement des panneaux décoratifs, seulement la poignée est enlevée. Toutes les autres pièces décoratives demeurent fixées aux portes.

1. Enlever les poignées du réfrigérateur et du congélateur :
 - En utilisant un tournevis Phillips, enlever les vis qui retiennent chaque poignée en place.
 - Soulever la poignée pour l'enlever. S'assurer de garder les vis pour réinstaller les poignées.

2. Enlever les panneaux de porte :
 - Ouvrir la porte du réfrigérateur ou du congélateur.
 - Sortir le panneau décoratif et le panneau de remplissage en les glissant.
 - Répéter le processus pour les autres panneaux et les panneaux de remplissage.
 - Garder avec soin les panneaux et les panneaux de remplissage pour éviter les égratignures.

Remplacement des panneaux de porte

1. Remplacer le panneau de porte du réfrigérateur ou du congélateur :
 - Ouvrir la porte du réfrigérateur ou du congélateur.
 - Glisser soigneusement le panneau décoratif de 1/8 po en place derrière la garniture latérale.
 - Abaisser le panneau de remplissage en place en arrière du panneau décoratif.
 - Répéter le processus pour les autres panneaux et les panneaux de remplissage.
2. Réinstaller les poignées :

REMARQUE : La poignée du congélateur est entaillée pour convenir autour du panneau du distributeur.

- Aligner le sommet de la poignée du réfrigérateur ou du congélateur avec la garniture supérieure. Fixer la poignée à la porte du réfrigérateur ou du congélateur avec les vis et un tournevis Phillips.
- Répéter le procédé pour l'autre poignée.

Entretien des panneaux décoratifs :

1. Nettoyer les panneaux avec un nettoyant antistatique (disponible dans les magasins de produits électroniques ou d'ordinateurs) ou un savon doux et de l'eau avec un linge doux, propre et humide.
2. Rincer à fond les panneaux et sécher en absorbant l'eau comme un buvard, à l'aide d'un chiffon ou d'un chamois.
3. **NE PAS** utiliser des essuie-tout en papier ou des nettoyants qui contiennent des solvants tels que l'ammoniaque. Ils peuvent endommager la surface des panneaux.
4. Si de petites égratignures apparaissent sur les panneaux, elles peuvent être remplies en utilisant une cire en pâte pour automobile (NON une combinaison de nettoyant/cire). Appliquer un peu de cire et polir légèrement avec un chiffon doux et par un mouvement circulaire.

Installation de panneaux en bois sur commande

Si vous avez l'intention d'installer des panneaux décoratifs en bois, vous aurez besoin de créer les panneaux vous-même ou consulter votre fabricant de meubles ou un menuisier. Voir les dessins dimensionnels pour les encarts des panneaux en bois.

Panneaux unis :

On peut créer un panneau uni sur demande de 6 mm (1/4 po) d'épaisseur pour remplacer vos panneaux décoratifs. Les panneaux en bois unis de moins de 6 mm (1/4 po) d'épaisseur ne sont pas recommandés.

Panneaux en relief :

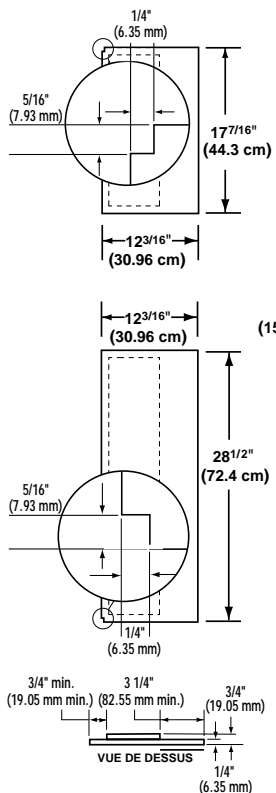
Un panneau en relief peut être créé en vissant ou en collant des panneaux en bois à un appui de 6 mm (1/4 po) ou en utilisant un panneau de 19 mm (3/4 po) avec rebord aminci.

Exigences de poids pour les encarts de panneaux en relief :

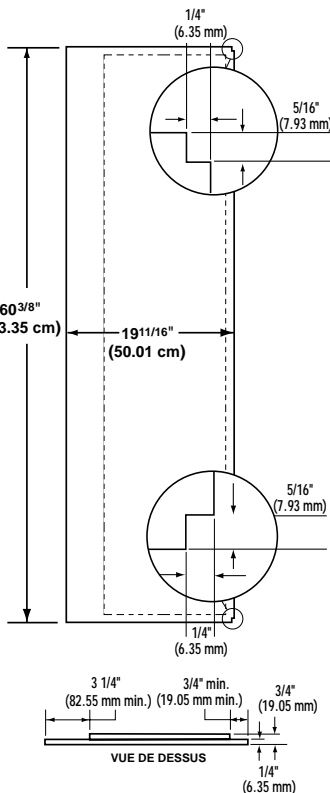
- Le panneau de la porte du réfrigérateur ne devrait pas excéder 9,98 kg (25 lb).
- Le poids combiné des panneaux des portes du congélateur ne devrait pas excéder 6,80 kg (18 lb).

Dimensions pour les panneaux en bois sur commande

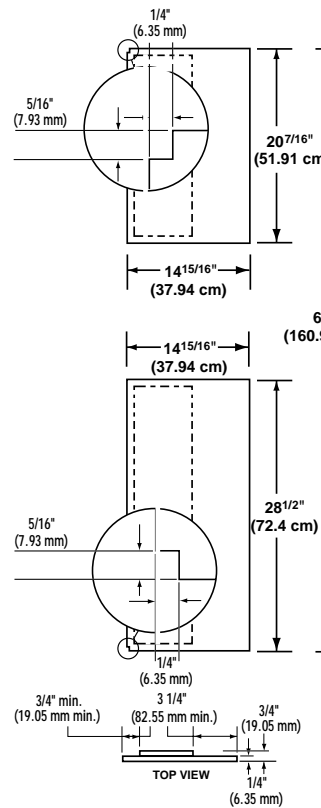
Dimensions de la porte du congélateur de 22 pi cu



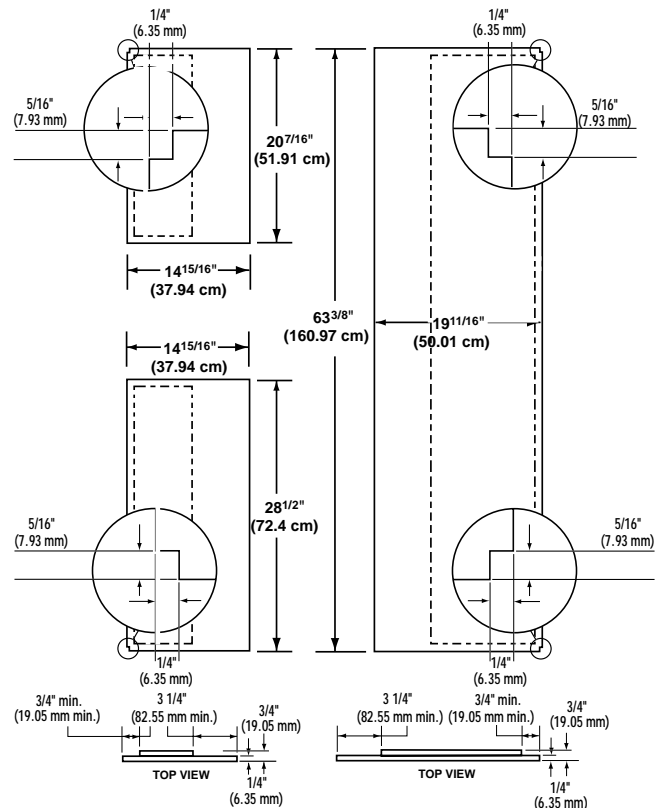
Dimensions de la porte du réfrigérateur de 22 pi cu



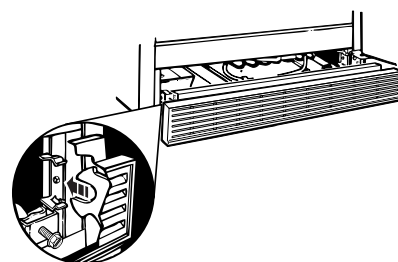
Dimensions de la porte du congélateur de 25 et 27 pi cu



Dimensions de la porte du congélateur de 25 et 27 pi cu



Grille de la base



Pour enlever la grille de la base :

1. Ouvrir les deux portes du réfrigérateur.
2. Placer les mains le long des extrémités de la grille, avec vos pouces sur le dessus. Appuyer avec vos pouces et retirer la base.

REMARQUE : Ne pas enlever la fiche technique derrière la grille de la base après le nettoyage.

Réinstallation de la grille :

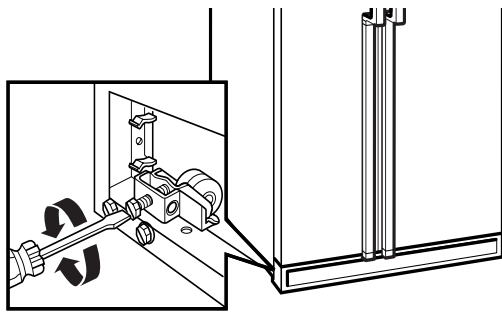
1. Ouvrir les portes.
2. Aligner les languettes d'appui de la grille avec les agrafes en métal.
3. Appuyer fermement sur la grille pour l'enclencher en place.

Fermeture des portes

Votre réfrigérateur présente 2 roulettes réglables à l'avant – l'une du côté droit et l'une du côté gauche. Si votre réfrigérateur semble instable ou si vous désirez que les portes se ferment plus facilement, faire le réglage de l'inclinaison du réfrigérateur en suivant les instructions ci-dessous :

1. Brancher le réfrigérateur.
2. Placer le réfrigérateur à son emplacement final.
3. Enlever la grille de la base (voir "Grille de la base" au début de cette section). Les deux vis de nivellement font partie des montages de roulettes avant qui sont à la base du réfrigérateur d'un côté et de l'autre.
4. Utiliser un tournevis pour ajuster les vis de nivellement. Tourner la vis de nivellement vers la droite pour soulever ce côté du réfrigérateur ou tourner la vis de nivellement vers la gauche pour abaisser ce côté. Plusieurs tours des vis de nivellement peuvent être nécessaires pour régler l'inclinaison du réfrigérateur.

REMARQUE : Si une autre personne pousse le haut du réfrigérateur, le poids devient moins lourd sur les vis de nivellement et les roulettes, ce qui rend plus facile l'ajustement des vis.



5. Ouvrir les deux portes de nouveau et vérifier pour s'assurer qu'elles se ferment aussi facilement que vous le désirez. Sinon, inclinez le réfrigérateur un peu plus vers l'arrière en tournant les deux vis de nivellement vers la droite. Plusieurs tours peuvent être nécessaires et vous devez tourner les deux vis de nivellement d'un espace égal.
6. Réinstaller la grille de la base.

Les bruits de l'appareil que vous pouvez entendre

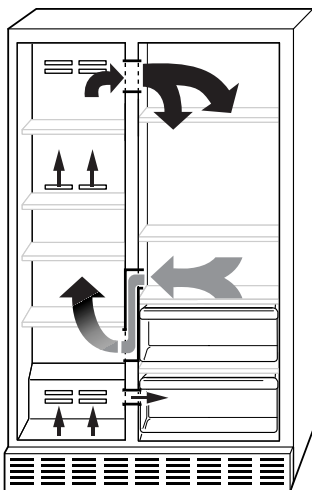
Il est possible que le réfrigérateur neuf émette des bruits que l'appareil précédent ne produisait pas. Comme ces bruits sont nouveaux, ils peuvent vous inquiéter. La plupart de ces nouveaux bruits sont normaux. Des surfaces dures comme le plancher, les murs et les armoires peuvent faire paraître les bruits plus forts qu'en réalité. Les descriptions suivantes indiquent le genre de bruits et leur origine.

- Si votre appareil est équipé d'une machine à glaçons, vous entendrez un bruit de gargouillement lorsque la valve d'eau s'ouvre pour remplir la machine à glaçons pour chaque programme.
- La minuterie du dégivreur produit un déclic au début et à la fin du programme de dégivrage. Le thermostat et le réglage feront aussi entendre un déclic lors de la mise en marche et de l'arrêt du programme.
- Les vibrations sonores peuvent provenir de l'écoulement du réfrigérant, de la canalisation d'eau ou d'articles placés sur le réfrigérateur.
- Votre réfrigérateur est conçu pour fonctionner plus efficacement afin de garder les aliments à la température désirée. Le compresseur très efficace peut faire fonctionner votre réfrigérateur neuf plus longtemps que l'ancien et vous pouvez entendre des bruits aigus ou des vibrations sonores.
- L'eau qui dégoutte sur le dispositif de chauffage durant le programme de dégivrage peut produire un grésillement.
- Vous pouvez entendre le moteur du ventilateur d'évaporation qui fait circuler l'air dans le réfrigérateur et le congélateur.
- À la fin de chaque programme, vous pouvez entendre un gargouillement attribuable au réfrigérant qui se trouve dans votre réfrigérateur.
- La contraction et l'expansion des parois internes peuvent produire un bruit sec.
- Vous pouvez entendre de l'air qui est transmis au condenseur dans le ventilateur du condenseur.
- Vous pouvez entendre l'écoulement de l'eau dans le plat de récupération d'eau de dégivrage pendant le programme de dégivrage.

UTILISATION DU RÉFRIGÉRATEUR

Pour s'assurer d'une circulation d'air appropriée

Pour s'assurer d'avoir les températures appropriées, il faut permettre à l'air de circuler entre les deux compartiments. Comme l'indique l'illustration, l'air froid pénètre à la base de la section du congélateur et se déplace vers le haut. Il pénètre ensuite dans la section d'aliments frais à travers l'ouverture d'aération supérieure. L'air retourne au congélateur tel qu'illustré.



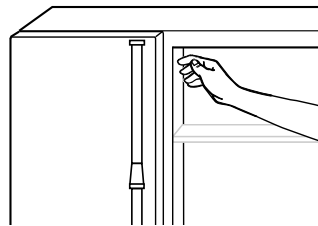
Ne pas obstruer l'une ou l'autre de ces ouvertures d'aération avec des aliments tels que boissons gazeuses, céréales, pain, etc. Si les ouvertures d'aération sont obstruées, le débit d'air sera bloqué et le réglage de la température ne fonctionnera pas bien.

REMARQUE: Comme l'air circule entre les deux sections, toutes les odeurs formées dans une section seront transférées à l'autre. Vous devez nettoyer à fond les deux sections pour éliminer les odeurs. Pour empêcher le transfert d'odeurs, bien envelopper les aliments.

Vérification de l'air

Pour mesurer la quantité d'air froid transmise du congélateur au réfrigérateur tenir la main en avant de l'ouverture supérieure de l'air. Le réglage du congélateur peut être ajusté pour éprouver différentes quantités d'air.

Pour d'autres renseignements sur les températures à l'intérieur de votre réfrigérateur, se référer à la section "Dépannage".



Réglage des commandes

Pour votre commodité, les commandes du réfrigérateur sont pré-réglées à l'usine. Lors de l'installation initiale du réfrigérateur, s'assurer que les commandes sont encore pré-réglées. La commande du réfrigérateur et celle du congélateur devraient toutes les deux se trouver aux "réglages moyens" tel qu'indiqué dans les schémas ci-dessous.

La commande du réfrigérateur règle la température du compartiment de réfrigération. Les réglages à la gauche du réglage moyen sont pour une température moins froide. Ceux qui se trouvent à droite sont pour une température plus froide.

Refrigerator



Cold 1 2 ▲ 3 4 Colder

La commande du congélateur règle la température du compartiment de congélation. Les réglages à la gauche du réglage moyen sont pour une température moins froide. Ceux qui se trouvent à droite sont pour une température plus froide.

REMARQUE : Votre produit ne se refroidira pas quand la commande du réfrigérateur se trouve à OFF.

Freezer



Off 1 2 ▲ 3 4 Colder

Donner au réfrigérateur le temps de se refroidir complètement avant d'y ajouter des aliments. Il est préférable d'attendre 24 heures avant d'ajouter des aliments.

IMPORTANT : Si vous ajoutez des aliments avant que le réfrigérateur ne se soit refroidi complètement, les aliments pourront se gâter. **Tourner les commandes du réfrigérateur et du congélateur à plus froid que le réglage recommandé ne refroidira pas les compartiments plus rapidement.**

REMARQUE : La commande automatique d'humidité extérieure empêche continuellement une accumulation d'humidité à l'extérieur de la caisse du réfrigérateur. Il n'est pas nécessaire de régler ou d'ajuster cette commande.

Ajustement des réglages de contrôle

Donner au réfrigérateur le temps de se refroidir complètement avant d'y ajouter des aliments. Il est préférable d'attendre 24 heures avant d'ajouter des aliments. Les réglages indiqués dans la section précédente devraient être adéquats pour une utilisation normale du réfrigérateur à domicile. Les commandes sont bien réglées lorsque le lait ou le jus est aussi froid que vous l'aimez et lorsque la crème glacée est ferme.

S'il est nécessaire de modifier les températures du réfrigérateur ou du congélateur, utiliser les réglages indiqués dans le tableau ci-dessous comme guide. Attendre au moins 24 heures entre les ajustements.

CONDITION/RAISON :	RÉGLAGE RECOMMANDÉ :
RÉFRIGÉRATEUR trop chaud <ul style="list-style-type: none">■ Ouverture fréquente de la porte■ Grande quantité d'aliments ajoutée■ Température ambiante trop chaude	Tourner la commande du RÉFRIGÉRATEUR au chiffre plus ÉLEVÉ suivant.
CONGÉLATEUR trop chaud/les glaçons ne sont pas faits assez vite <ul style="list-style-type: none">■ Ouverture fréquente de la porte■ Grande quantité d'aliments ajoutée■ Température ambiante très froide (le réfrigérateur ne se met pas en marche assez souvent)■ Emploi abondant de glaçons■ Diffuseur d'air bloqué par des articles	Tourner la commande du CONGÉLATEUR à un demi-réglage vers la lettre plus ÉLEVÉE suivante. Déplacer les articles hors du débit d'air.
RÉFRIGÉRATEUR trop froid <ul style="list-style-type: none">■ Réglage incorrect des commandes pour les conditions dans votre domicile.	Tourner la commande du RÉFRIGÉRATEUR au chiffre PLUS BAS suivant.
CONGÉLATEUR trop froid <ul style="list-style-type: none">■ Réglage incorrect des commandes pour les conditions dans votre domicile.	Touner la commande du CONGÉLATEUR à un demi-réglage vers la lettre PLUS BASSE suivante.

Guide d'entreposage des aliments

Conservation des aliments frais

Des aliments placés au réfrigérateur doivent être enveloppés ou gardés dans un emballage hermétique et à l'épreuve de l'humidité à moins d'indications contraires. Ceci empêche l'odeur et le goût des aliments de se répandre dans tout le réfrigérateur. Pour des produits datés, vérifier les dates indiquées pour s'assurer de la fraîcheur des aliments.

Beurre ou margarine

Garder le beurre entamé dans un beurrier muni d'un couvercle ou dans un compartiment fermé. Lors de la conservation de quantités supplémentaires, utiliser un emballage pour congélateur et faire congeler.

Fromage

Conservé dans son emballage original jusqu'à l'emploi. Une fois le paquet ouvert, réemballer hermétiquement le fromage dans une pellicule en plastique ou du papier d'aluminium.

Lait

Essuyer les contenants. Pour qu'il se conserve mieux, placer le lait sur une tablette à l'intérieur.

Œufs

Conservé les œufs sans les laver dans le carton original sur une tablette à l'intérieur.

Fruits

Laver, laisser sécher et mettre au réfrigérateur dans un sac en plastique ou dans le bac à légumes. Ne pas laver ni équeuter les petits fruits avant le moment de leur utilisation. Les trier et les conserver dans l'emballage original dans le bac à légumes ou les conserver sur une tablette du réfrigérateur dans un sac fermé en papier sans être serré.

Légumes à feuilles

Retirer l'emballage original et couper ou éliminer les sections endommagées et décolorées. Laver à l'eau froide et égoutter. Placer dans un sac ou un contenant en plastique et ranger dans le bac à légumes.

Légumes à pelure (carottes, poivrons)

Placer dans des sacs en plastique ou contenants en plastique et ranger dans le bac à légumes.

Poisson

Utiliser du poisson et des fruits de mer frais le jour même de leur achat.

Viande

La plupart des viandes peuvent être conservées dans leur emballage original tant que cet emballage est hermétique et à l'épreuve de l'humidité. Emballer de nouveau si nécessaire. Voir le tableau suivant pour les périodes de conservation. Si la viande doit être conservée pour une période plus longue que la durée donnée, faire congeler la viande.

Poulet	1 à 2 jours
Boeuf haché	1 à 2 jours
Viandes de variété (foie, coeur, etc.)	1 à 2 jours
Charcuterie	3 à 5 jours
Steaks/rôtis	3 à 5 jours
Viandes traitées	7 à 10 jours

Les restes

Couvrir les restes avec de la pellicule en plastique ou du papier d'aluminium. Il est convenable aussi d'utiliser des contenants en plastique avec couvercle hermétique.

Conservation des aliments congelés

REMARQUE : Pour plus de renseignements au sujet de la préparation des aliments pour la congélation ou pour les temps de conservation d'aliments, consulter un guide pour congélateur ou un livre de recettes fiable.

Emballage

Le secret d'une congélation efficace réside dans l'emballage. Il doit être fermé et scellé de façon à empêcher la pénétration et l'évacuation de l'air ou de l'humidité. Toute autre méthode d'emballage risque d'entraîner la propagation des saveurs et d'odeurs dans tout le réfrigérateur et l'assèchement des aliments congelés.

Recommandations pour l'emballage :

- Contenants rigides en plastique avec couvercle hermétique
- Bocaux de conserve/congélation à bord droit
- Papier d'aluminium résistant
- Papier recouvert de plastique
- Emballages en papier étanche (pellicule Saran)
- Sacs en plastique autohermétiques spécifiés pour congélateur

Suivre les instructions de l'emballage ou du contenant pour les méthodes de congélation appropriées.

Ne pas utiliser :

- Emballages pour le pain
- Contenants en plastique autres qu'en polyéthylène
- Contenants sans couvercle hermétique
- Papier paraffiné ou emballage pour congélateur enduit de cire
- Emballage mince semi-perméable

Congélation

Le congélateur ne congèlera pas rapidement une grande quantité d'aliments. Ne pas placer plus d'aliments non congelés dans le congélateur que la quantité qui congèlera dans l'intervalle de 24 heures (pas de plus de 907 à 1 350 g. par litre [2 à 3 lb] d'aliments par pied cube d'espace dans le congélateur). Laisser assez d'espace pour permettre la circulation d'air entre les emballages. S'assurer aussi de laisser assez d'espace à l'avant pour que la porte se ferme hermétiquement.

Les périodes de conservation varieront selon la qualité et le type des aliments, le type d'emballage et le type de pellicule utilisés (hermétiques et à l'épreuve de l'humidité) et la température d'entreposage. Les cristaux de glace à l'intérieur d'un emballage scellé sont normaux. Les cristaux signifient simplement que l'humidité dans les aliments et l'air à l'intérieur de l'emballage se sont condensés en créant des cristaux de glace.

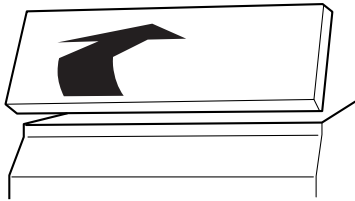
REMARQUE : Laisser les aliments chauds refroidir à la température de la pièce pendant 30 minutes, ensuite préparer l'emballage et faire congeler. Le refroidissement des aliments chauds avant la congélation économise de l'énergie.

CARACTÉRISTIQUES DU RÉFRIGÉRATEUR

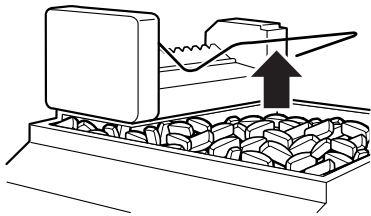
Bac d'entreposage de la machine à glaçons

Pour retirer le bac à glaçons :

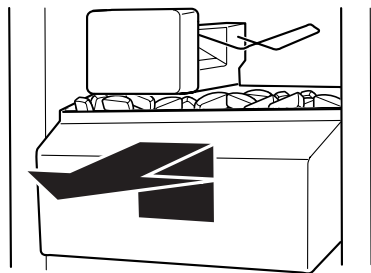
1. Tirer le panneau qui recouvre le bac à glaçons en le retirant à la base et ensuite en le glissant vers l'arrière.



2. Soulever le levier jusqu'à ce qu'il s'enclenche à la position OFF (ARRÊT) (vers le haut). Des glaçons peuvent encore être distribués mais aucun autre ne peut être préparé.



3. Soulever le devant du bac à glaçons et le retirer.



4. Vider le bac à glaçons. Utiliser de l'eau tiède pour faire fondre la glace si nécessaire. **Ne jamais utiliser un objet pointu** pour briser les glaçons dans le bac. Cette action peut endommager le bac et le mécanisme du distributeur.
5. Laver à l'aide d'un détergent doux, bien rincer et sécher à fond. Ne pas utiliser de nettoyeurs forts ou abrasifs ou des dissolvants.
6. **Lors de la réinstallation du bac**, s'assurer qu'il est poussé complètement à l'intérieur sinon le distributeur ne fonctionnera pas. Ensuite appuyer sur le levier de signal vers le bas à la position ON (EN MARCHÉ) pour recommencer la production de glaçons. S'assurer que la porte est bien fermée.

Distributeurs d'eau et de glaçons (sur certains modèles)

⚠ AVERTISSEMENT



Risque de coupure

Utiliser un verre robuste pour prendre des glaçons ou de l'eau.

Le non-respect de cette instruction peut causer des coupures.

Selon le modèle du réfrigérateur, vous pouvez avoir une ou plusieurs des options suivantes : la capacité de choisir de la glace concassée ou des glaçons, une lumière spéciale qui s'allume lorsque vous employez le distributeur ou une option de verrouillage pour éviter la distribution accidentelle.

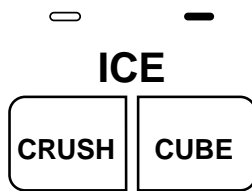
Le distributeur de glaçons

Les glaçons sont distribués du bac d'entreposage de glaçons du congélateur. Lorsqu'on appuie sur le levier du distributeur :

- Une trappe s'ouvre dans une goulotte entre le distributeur et le bac d'entreposage de glaçons.
- Les glaçons passent du bac et tombent dans la goulotte.
- Lorsqu'on relâche le levier du distributeur, la trappe se ferme et la distribution de glaçons s'arrête. Le système de distribution ne fonctionne pas lorsque la porte du congélateur est ouverte.

Certains modèles distribuent des glaçons et de la glace concassée. Avant la distribution de glaçons, choisir quelle sorte vous préférez. Les réglages sont conçus pour une utilisation et un nettoyage faciles.

- Pour les glaçons en cubes, appuyer sur le bouton CUBE jusqu'à l'indicateur rouge dans le voyant au-dessus du bouton CUBE.

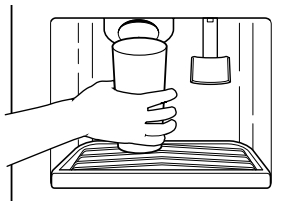


- Pour la glace concassée, appuyer sur le bouton CRUSH jusqu'à l'indicateur rouge dans le voyant au-dessus du bouton CRUSH.

Pour de la glace concassée, les glaçons sont concassés avant d'être distribués. Cette action peut causer un court délai lors de la distribution de glace concassée. Le bruit du broyeur de glaçons est normal et la dimension des morceaux de glace peut varier. Lorsqu'on change de CRUSH (concassée) à CUBE (cubes), quelques onces de glace concassée seront distribués avec les premiers glaçons.

Distribution de glaçons :

1. Appuyer sur le bouton pour le type de glace désirée.
2. Appuyer un verre **robuste** contre le levier de distribution de glaçons. Tenir le verre près de l'ouverture du distributeur pour que les glaçons ne tombent pas à côté du verre.



IMPORTANT : Il n'est pas nécessaire d'appliquer beaucoup de pression au levier pour activer le distributeur de glaçons. Une pression forte ne donne pas une distribution plus rapide de glaçons ou des quantités plus grandes.

3. Retirer le verre pour arrêter la distribution.

REMARQUE : Les quelques premières quantités de glaçons peuvent avoir une odeur désagréable provenant d'une plomberie et de pièces neuves. Jeter ces glaçons. Par ailleurs, prenez de grandes quantités de glaçons du bac à glaçons plutôt que par l'entremise du distributeur.

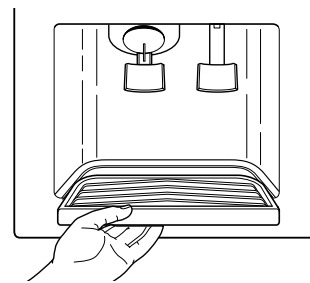
Le distributeur d'eau

L'eau refroidie provient d'un réservoir placé derrière le bac à viande. Sa contenance est d'environ 1,5 L (1½ pinte).

Lors du branchement initial du réfrigérateur, appuyer sur le levier du distributeur d'eau avec un verre ou autre récipient pour puiser de 1,9 à 2,8 L (2 ou 3 pintes) d'eau qui sera jetée. Il faudra de trois à quatre minutes pour que la distribution de l'eau commence. Cette eau ainsi puisée et jetée rince le réservoir et les tuyauteries.

Laisser ensuite le contenu du nouveau réservoir plein se refroidir pendant plusieurs heures.

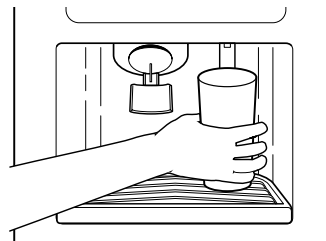
IMPORTANT : Le petit plateau amovible situé sous le distributeur est conçu pour recevoir les petits renversements et permet aussi un nettoyage facile. Il n'y a pas d'écoulement dans le plateau. Le plateau peut être enlevé du distributeur et transporté à l'évier pour être vidé ou nettoyé.



Distribution d'eau :

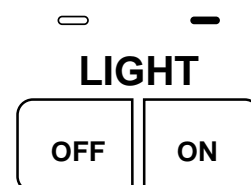
1. Appuyer un verre contre le levier du distributeur d'eau.
2. Retirer le verre pour discontinuer l'écoulement.

REMARQUE : Puiser une quantité suffisante d'eau chaque semaine pour maintenir un approvisionnement frais.



Témoin lumineux du distributeur

Le distributeur comporte un indicateur lumineux. Il peut être allumé manuellement en appuyant sur le bouton ON (allumé) au côté droit du panneau de réglage. L'indicateur rouge apparaîtra au-dessus du bouton ON. **Sur certains modèles** : chaque fois que vous utilisez le distributeur, le levier allumera automatiquement l'indicateur lumineux.

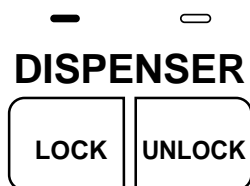


REMARQUE : Voir la section "Remplacement des ampoules d'éclairage" pour des renseignements sur le changement de l'ampoule du distributeur.

Sur les modèles sans fonction de glace concassée, l'indicateur lumineux est de type basculeur. Appuyer sur le commutateur pour l'allumer et appuyer de nouveau pour l'éteindre.

Verrouillage du distributeur (sur certains modèles)

Le distributeur peut être arrêté pour le nettoyage facile ou pour empêcher la distribution accidentelle par de petits enfants et animaux de compagnie. Pour arrêter le distributeur, appuyer sur le bouton LOCK (verrouillage). L'indicateur rouge apparaîtra au-dessus du bouton LOCK et les distributeurs de glaçons et d'eau ne fonctionneront pas. Pour déverrouiller le distributeur, appuyer sur le bouton UNLOCK (déverrouillage) jusqu'à ce que l'indicateur rouge apparaisse au-dessus du bouton UNLOCK. Ensuite continuer à distribuer des glaçons ou de l'eau comme d'habitude.



REMARQUE : La caractéristique de verrouillage ne discontinuera pas le courant électrique à l'appareil, à la machine à glaçons ou à l'éclairage du distributeur. Elle sert simplement à désactiver les leviers du distributeur.

Systeme de filtration et de contrôle d'eau (sur certains modèles)

Le témoin lumineux du filtre à eau

Le témoin lumineux du filtre à eau vous aidera à savoir quand changer votre cartouche de filtre à eau. Le témoin se trouve à la partie supérieure interne du compartiment de réfrigération à côté du bouton de commande du réfrigérateur. Le témoin lumineux passera du vert au jaune. Ce changement vous signale qu'il est presque temps de changer la cartouche du filtre à eau (90 % de la vie utile du filtre s'est écoulée) et que vous devriez commander une nouvelle cartouche de filtre à eau. Il est recommandé de remplacer la cartouche de filtre à eau lorsque le témoin lumineux du filtre à eau passe au rouge OU lorsque le débit d'eau à votre distributeur ou à la machine à glaçons diminue beaucoup. (Voir "Changement d'une cartouche de filtre à eau" plus loin dans cette section.)

REMARQUE : Ne pas utiliser avec de l'eau microbiologiquement dangereuse ou de qualité inconnue sans une désinfection adéquate avant ou après le système.

AquaSense Monitoring System

Filter Indicator

Filter Indicator Reset



Green - Good Filter
Yellow - Order Filter
Red - Change Filter

Push light switch 5 times in 10 seconds
to reset filter indicator to green

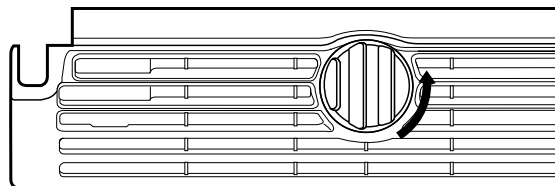
Après avoir changé la cartouche de filtre à eau, régler de nouveau le témoin lumineux du filtre à eau en appuyant sur le commutateur du témoin 5 fois en deçà de 10 secondes. Le témoin lumineux passera du rouge au vert dès que le système est restauré.

Remplacement de la cartouche de filtre à eau

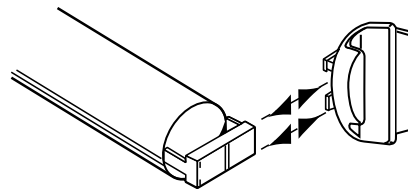
Le filtre à eau est situé sous la porte du compartiment congélateur.

1. Repérer le couvercle de la cartouche de filtre situé dans la grille supérieure avant, sous la porte du compartiment congélateur. Tourner le couvercle dans le sens inverse des aiguilles d'une montre jusqu'à ce qu'il soit en position verticale. Retirer ensuite le couvercle et la cartouche de filtre par la grille inférieure.

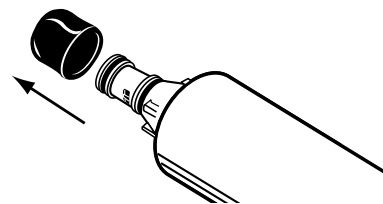
REMARQUE : Il y aura de l'eau dans la cartouche. Il est possible qu'il y ait un déversement.



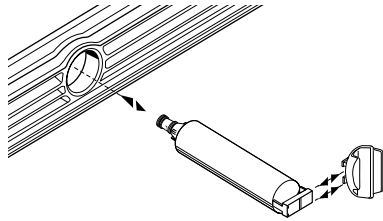
2. Retirer le couvercle de la veille cartouche de filtre en le faisant glisser vers l'extérieur. Le couvercle glissera vers la gauche ou la droite. NE PAS JETER LE COUVERCLE.



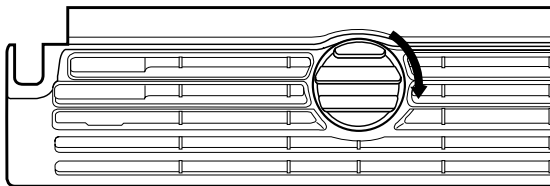
3. Sortir la nouvelle cartouche de son emballage, puis dégager le capuchon protecteur des anneaux d'étanchéité.



4. Faire glisser le couvercle de la cartouche sur la nouvelle cartouche comme le montre l'illustration.



5. Mettre le couvercle de la cartouche en position verticale, puis insérer la nouvelle cartouche de filtre dans la grille inférieure en la poussant jusqu'au fond. Tourner le couvercle de la cartouche dans le sens des aiguilles d'une montre jusqu'à ce qu'il soit en position horizontale.



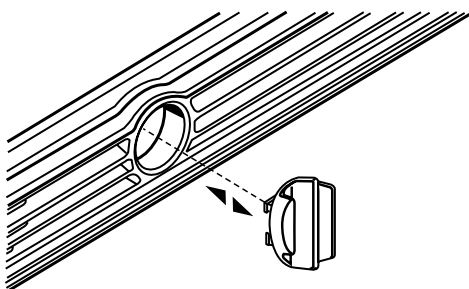
6. FAIRE COULER DE L'EAU PAR LE DISTRIBUTEUR JUSQU'À CE QUE L'EAU COULE CLAIRE (environ 2 à 3 gallons ou 6 à 7 minutes). Cela permet de nettoyer le système et d'évacuer l'air des conduits. Un nettoyage additionnel peut s'avérer nécessaire dans certains domiciles.

REMARQUE : Pendant l'évacuation de l'air, l'eau peut gicler de la fontaine réfrigérée.

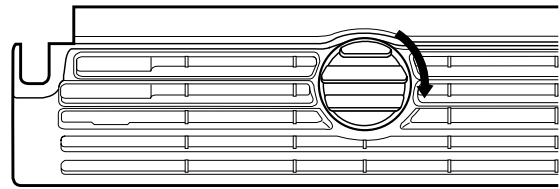
Utilisation de la fontaine réfrigérée sans filtre à eau

Il est possible de faire fonctionner la fontaine réfrigérée sans utiliser de cartouche de filtre. L'eau ne sera pas filtrée. Si l'utilisateur décide de faire fonctionner la fontaine réfrigérée sans cartouche de filtre à eau, garder le couvercle de la cartouche à l'intérieur de la grille pour pouvoir l'utiliser ultérieurement.

1. Retirer la cartouche de filtre à eau (voir la section "Remplacement de la cartouche de filtre à eau" présentée précédemment). Ensuite, faire glisser le couvercle de la cartouche vers l'extérieur. **NE PAS JETER LE COUVERCLE.**
2. Mettre le couvercle de la cartouche en position verticale, puis l'insérer dans la grille inférieure jusqu'à ce qu'il s'immobilise.



3. Tourner le couvercle de la cartouche jusqu'à ce qu'il soit en position horizontale.



REMARQUE : Le couvercle de la cartouche risque de ne pas être au même niveau que la grille inférieure.

Commande de filtres de rechange

Pour commander d'autres cartouches de filtre à eau, composer le 1-800-422-1230 et demander l'accessoire no de pièce 4392857 ou contacter votre marchand KitchenAid agréé.

Tablettes du réfrigérateur

Les tablettes dans votre réfrigérateur peuvent être réglées pour correspondre à vos besoins individuels.

Le remisage d'aliments semblables ensemble dans le réfrigérateur et le réglage des tablettes pour convenir à différentes hauteurs d'articles alimentaires et de contenants, permettra de trouver l'article exact plus facilement et réduira aussi le temps d'ouverture de la porte du réfrigérateur, ce qui économisera de l'énergie.

IMPORTANT : Ne pas nettoyer les tablettes en verre avec de l'eau tiède quand elles sont froides. Les tablettes peuvent se briser si elles sont exposées à des changements soudains de température ou à un impact. Pour votre protection, le verre trempé est conçu pour éclater en d'innombrables pièces minuscules. Ceci est normal.

REMARQUE : Les tablettes en verre sont lourdes. Un soin spécial s'impose lors de leur déplacement pour éviter l'impact d'une chute.

Pour retirer les tablettes de la position d'expédition (les tablettes sont expédiées à l'envers) :

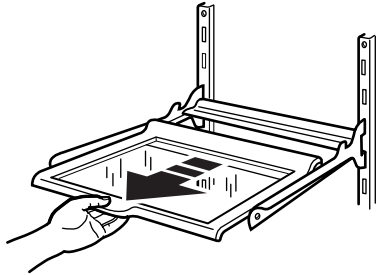
1. Saisir le devant de la tablette supérieure avec une main et utiliser l'autre main pour enlever le matériau d'emballage de l'espace des étagères.
2. Abaisser le devant de la tablette supérieure jusqu'à ce que les crochets de la tablette puissent être enlevés des crans sur les supports de tablettes sur la paroi arrière du réfrigérateur. Retirer la tablette pour l'enlever.
3. Tourner complètement la tablette.
4. Insérer les crochets arrière de la tablette dans les crans sur les supports de tablette.
5. Incliner le devant de la tablette vers le haut jusqu'à ce que les crochets à l'arrière tombent dans les crans.
6. Abaisser le devant de la tablette. Vérifier pour vous assurer que la tablette est bien fixée en position.

Tablettes sur roulettes (sur certains modèles)

Certaines tablettes roulent vers l'extérieur et facilitent l'accès aux aliments placés à l'arrière.

Pour faire glisser la tablette vers l'extérieur, tirer la tablette soigneusement vers vous.

Pour faire glisser la tablette vers l'intérieur, pousser la tablette jusqu'au fond.



Pour enlever une tablette du cadre en métal :

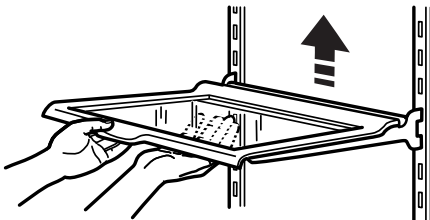
1. Retirer la tablette jusqu'à la butée.
2. Incliner le devant de la tablette vers le haut et la retirer vers l'extérieur un peu plus.
3. Soulever la tablette de sorte que les roulettes se déplacent dans la fente sur le cadre.

Réinstaller la tablette en suivant l'ordre inverse.

Tablettes et cadres de tablette

Pour retirer un cadre de tablette :

1. Incliner le devant du cadre de la tablette et le soulever à l'arrière.
2. Retirer le cadre de la tablette.



Pour réinstaller un cadre de tablette :

1. Guider les crochets à l'arrière du cadre de la tablette dans les crans sur les supports de tablette à la paroi arrière du réfrigérateur.
2. Incliner le devant du cadre de la tablette jusqu'à ce que les crochets arrière tombent dans les crans.
3. Abaisser le devant du cadre de la tablette en position.

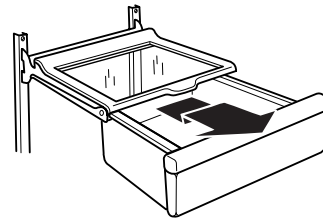
Casier pour petits aliments (sur certains modèles)

Le casier pour petits aliments fournit un endroit pratique pour garder les raisins, noix, tartinades et autres petits aliments à des températures normales de réfrigérateur.

Pour retirer le casier pour petits aliments :

1. Faire glisser le casier droit vers l'extérieur jusqu'à la butée.
2. Soulever le devant et le faire glisser complètement vers l'extérieur.

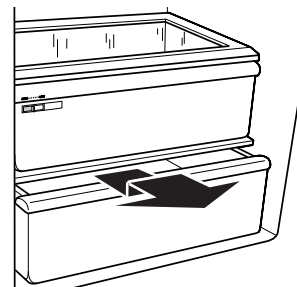
Replacer le casier pour petits aliments en suivant l'ordre inverse.



Tiroir et couvercle convertibles pour légumes/ viande

Pour retirer le tiroir :

1. Faire glisser directement vers l'extérieur jusqu'à la butée.
2. Soulever le devant légèrement et glisser le reste du tiroir complètement.
3. Replacer dans le sens inverse.



Pour retirer le couvercle :

1. Retirer le tiroir et le bac à légumes.
2. Soulever le devant du couvercle de ses appuis et l'enlever en le retirant vers l'extérieur.

Pour replacer le couvercle :

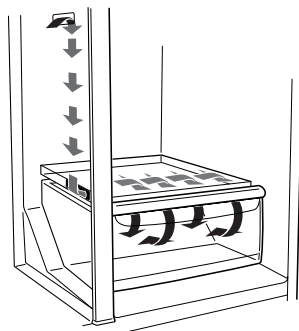
1. Placer l'arrière du couvercle dans les appuis sur les parois du réfrigérateur et l'abaisser en place.
2. Replacer le tiroir et le bac à légumes.

Réglage de la température du tiroir convertibile à légumes/viande

Le tiroir convertibile à légumes/viande peut être ajusté pour refroidir correctement les viandes ou les légumes. Contrairement à la plupart des systèmes de refroidissement des tiroirs à viande, la commande de température refroidit l'air à l'intérieur du contenant. (La plupart des systèmes refroidissent seulement le contenant lui-même, ce qui ne refroidit pas uniformément l'air à l'intérieur du contenant.)

Le refroidissement de l'air à l'intérieur du contenant fournit un refroidissement plus uniforme et réduit les "petits espaces" de congélation. Le réglage de la température peut être fait pour maintenir la viande aux températures recommandées d'entreposage (28°F-32°F) qui sont des températures d'entreposage recommandées par l'Office national du bétail et des viandes.

Pour entreposer les légumes aux températures d'entreposage optimales (il faut des températures plus chaudes que celles pour les viandes) faire le réglage "VEG" (légumes) complètement vers la gauche.



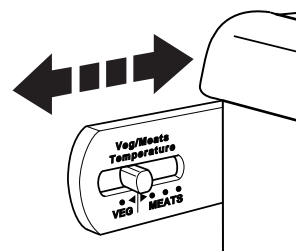
IMPORTANT : Pour prolonger encore plus la fraîcheur, se rappeler d'envelopper les viandes dans des contenants hermétiques et à l'épreuve de l'humidité avant l'entreposage. Toujours garder les viandes selon les recommandations de l'Office national du bétail et des viandes.

Ajustement du réglage

Le réglage convertibile est fourni pré-réglé pour vous au réglage le plus bas pour les viandes. Le déplacer vers le réglage central ou "plus froid" si désiré.

Pour changer un réglage : déplacer la commande de réglage vers la droite (plus froid) vers la gauche (moins froid).

Pour garder les légumes : déplacer le réglage complètement vers la gauche au réglage **VEG**.



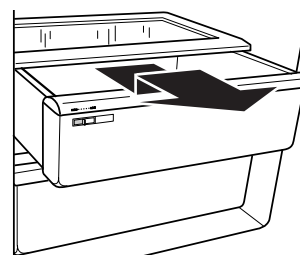
IMPORTANT : Si les aliments commencent à geler, déplacer le réglage vers la gauche (moins froid). Se rappeler d'attendre 24 heures entre les ajustements. En agissant ainsi, les températures de l'aliment ont le temps de changer.

Bac à légumes et couvercle

Pour retirer le bac à légumes :

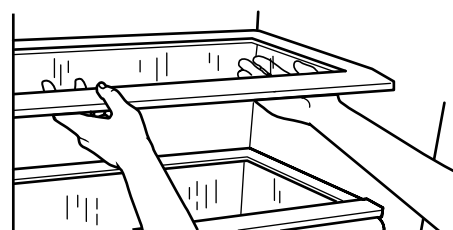
1. Glisser le bac à légumes en ligne droite vers l'extérieur jusqu'à la butée.
2. Soulever le devant.
3. Faire glisser le bac à légumes complètement vers l'extérieur.

Réinstaller le bac à légumes en suivant l'ordre inverse.



Pour retirer le couvercle du bac à légumes :

1. Retirer le bac à légumes.
2. En tenant le verre fermement, choisir un côté du couvercle du bac et soulever l'autre côté par en-dessous.
3. Glisser la plaque de verre vers l'extérieur pour l'enlever.
4. Soulever le cadre du couvercle et le retirer.



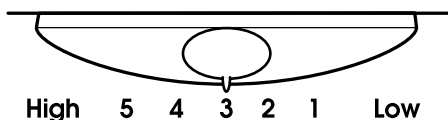
Pour réinstaller le couvercle du bac à légumes :

1. Placer l'arrière du cadre du couvercle dans les appuis de la paroi latérale du réfrigérateur.
2. Abaisser le devant du cadre en place.
3. Faire glisser l'arrière du couvercle en verre dans le cadre du couvercle et abaisser le devant en place.

Réglage de l'humidité dans les bacs à légumes

Ce réglage permet de contrôler le degré d'humidité dans les bacs à légumes étanches. La commande peut être réglée à n'importe quel réglage entre LOW et HIGH.

- En position LOW (ouvert) le réglage laisse échapper l'air humide pour mieux conserver les fruits et légumes à pelure.
- En position HIGH (fermé) le réglage permet de retenir l'humidité à l'intérieur du bac pour mieux conserver les légumes frais et les légumes à feuilles.



Tringles dans la porte

Les tringles dans la porte peuvent être enlevées pour faciliter le nettoyage.

Tringles enclenchables dans la porte

Pour réinstaller les tringles :

1. Enlever tous les articles rangés sur la tablette.
2. Appuyer légèrement sur le devant du joint en tirant sur la languette intérieure.
3. Répéter ces étapes pour l'autre extrémité de la tringle.



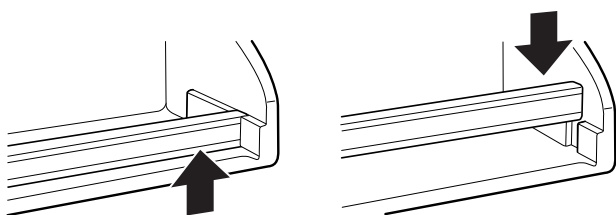
Pour retirer les tringles :

1. Positionner chaque extrémité de la tringle en ligne avec les attaches de chaque côté de la paroi de la porte.
2. Pousser la tringle directement au fond jusqu'à ce qu'elle s'enclenche en position.

Tringles déposées dans la porte

Pour enlever les tringles :

1. Enlever tous les articles rangés sur la tablette.
2. Soulever verticalement chaque extrémité des tringles.



Pour réinstaller les tringles :

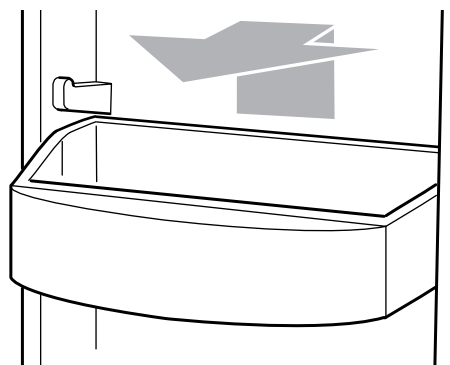
1. Glisser la tringle de la tablette dans les fentes sur la porte.
2. Pousser directement vers le bas sur les tringles jusqu'à l'arrêt.

Accessoires de porte

Compartiments dans la porte

Les compartiments dans la porte sont amovibles pour faciliter le nettoyage et le réglage.

1. **Pour retirer le compartiment**, le soulever tout simplement et le retirer directement vers l'extérieur.
2. **Pour réinstaller le compartiment**, le glisser au-dessus de bouton d'appui désiré et abaisser jusqu'à son arrêt.



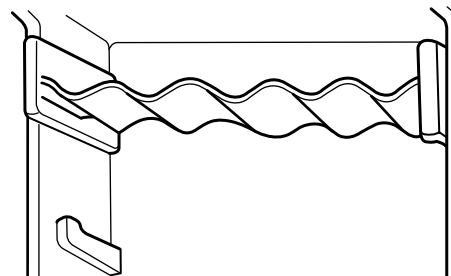
Porte-cannettes

Pour enlever le porte-cannettes :

1. Enlever tous les articles du porte-cannettes.
2. Soulever le porte-cannettes.
3. Le retirer directement vers vous.

Pour remettre en place le porte-cannettes :

1. Tenir l'arrière du porte-cannettes au-dessus du guide désiré.
2. Pousser le porte-cannettes vers l'arrière et le bas jusqu'à la butée.

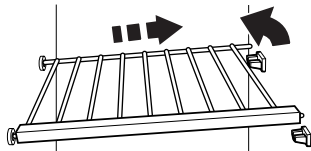


Clayette de congélateur (le nombre varie selon le modèle)

Pour retirer la clayette :

1. Soulever la clayette de ses appuis.
2. La glisser vers l'extérieur des trous d'appui de la clayette.

Remplacer la clayette selon l'ordre inverse.



Panier du congélateur (bac en plastique sur certains modèles)

Le panier du congélateur peut être utilisé pour entreposer des sacs de fruits et de légumes surgelés qui pourraient glisser hors de l'étagère du congélateur.

Pour retirer le panier du congélateur :

1. Le glisser vers l'extérieur jusqu'à la butée.
2. Soulever le devant et le côté pour le retirer complètement.



Pour réinstaller le panier :

1. Le positionner sur la glissière en s'assurant que les butées en broches sont dégagées du devant des glissières.
2. Glisser de nouveau le panier vers l'intérieur.

ENTRETIEN DE VOTRE RÉFRIGÉRATEUR

Nettoyage du réfrigérateur

⚠ AVERTISSEMENT



Risque d'explosion

**Utiliser un produit de nettoyage ininflammable.
Le non-respect de cette instruction peut causer
un décès, une explosion ou un incendie.**

Les sections du réfrigérateur et du congélateur se dégivrent automatiquement. Toutes deux doivent cependant être nettoyées environ une fois par mois afin de prévenir l'accumulation d'odeurs. Essuyer immédiatement les produits renversés.

Conseil pour économie d'énergie :

Nettoyer régulièrement les serpentins du condenseur, tel que décrit dans le tableau de nettoyage dans cette section.

Nettoyage du réfrigérateur :

- Débrancher le réfrigérateur ou déconnecter la source du courant électrique.
- Enlever toutes les pièces amovibles de l'intérieur telles que tablettes, bacs, etc.
- Utiliser une éponge propre ou un linge doux et un détergent doux avec de l'eau tiède. Ne pas utiliser de nettoyeurs abrasifs ou durs.
- Laver manuellement, rincer et sécher toutes les surfaces à fond.
- Brancher le réfrigérateur ou reconnecter la source de courant électrique.

■ Autres conseils de nettoyage indiqués ci-dessous :

PIÈCES	COMMENTAIRES
Extérieur	<ul style="list-style-type: none"> Le cirage de surfaces métalliques peintes à l'extérieur, aide à fournir une protection antirouille. Ne pas cirer les pièces en plastique. Cirer les surfaces métalliques peintes au moins deux fois par année avec une cire pour appareils électroménagers (ou cire en pâte de qualité pour automobile). Appliquer la cire avec un linge propre et doux.
Parois intérieures (le congélateur doit être assez tiède pour que le chiffon n'adhère pas)	<ul style="list-style-type: none"> Pour aider à éliminer les odeurs, on peut faire le lavage avec un mélange d'eau tiède et de bicarbonate de soude (26 g à 0,95 L [2 c. à soupe à 1 pinte] d'eau).
Garnitures et joints des portes	<ul style="list-style-type: none"> Ne pas utiliser de cires nettoyantes, de détergents concentrés, d'eau de Javel ni de nettoyants contenant du pétrole sur les pièces en plastique.
Pièces en plastique (couverts et panneaux)	<ul style="list-style-type: none"> Ne pas utiliser d'essuie-tout en papier, de nettoyants à vitre en atomiseur, de nettoyants à récurer ou de liquides inflammables. Ces produits risquent d'égratigner ou d'endommager le matériau.
Serpentins du condenseur	<ul style="list-style-type: none"> Retirer la grille de la base. (Voir section "Grille de la base".) Employer un aspirateur avec un accessoire long pour nettoyer les serpentins du condenseur. Nettoyer à l'aspirateur les serpentins lorsqu'ils sont sales ou poussiéreux. Il se peut que les serpentins aient besoin d'être nettoyés aussi souvent qu'à tous les deux mois. Replacer la grille de la base.

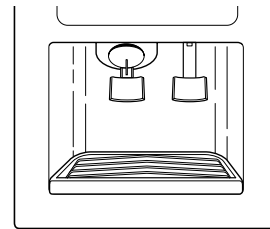
Remplacement des ampoules d'éclairage

REMARQUE : Votre réfrigérateur ne pourra pas accommoder toutes les ampoules pour les appareils ménagers. S'assurer de faire le remplacement par une ampoule de grosseur et de forme semblables.

Ampoules d'éclairage du réfrigérateur

Lumière de l'espace de distribution (sur certains modèles) :

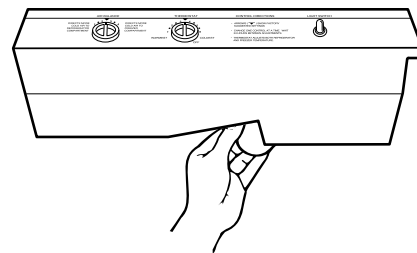
- Débrancher le réfrigérateur ou débrancher la source de courant électrique.
- Saisir l'ampoule dans l'espace de distribution et l'enlever.



- Remplacer l'ampoule par une autre ampoule de 10 watts pour service intense, qui peut être achetée chez votre marchand.
- Brancher le réfrigérateur ou reconnecter la source de courant électrique.

Lumière en arrière du tableau de commande :

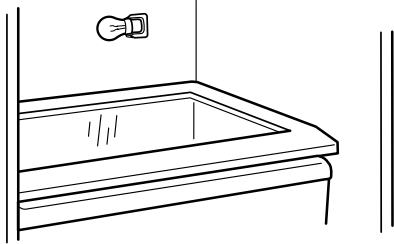
- Débrancher le réfrigérateur ou déconnecter la source de courant électrique.
- Passer la main à l'arrière du tableau de commande et enlever l'ampoule.
- Remplacer l'ampoule par une autre ampoule de 40 watts pour appareil électroménager.



- Brancher le réfrigérateur ou reconnecter la source de courant électrique.

Lumière des bacs (sur certains modèles) :

1. Débrancher le réfrigérateur ou déconnecter la source de courant électrique.
2. Enlever le protecteur de l'ampoule en saisissant le centre supérieur du protecteur et le retirer vers l'avant en le tournant légèrement d'un côté.
3. Remplacer l'ampoule par une autre ampoule de 40 watts pour appareil électroménager.



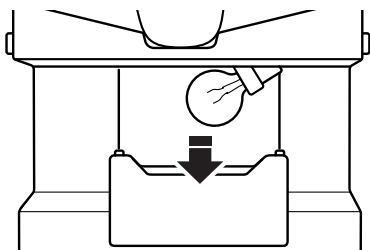
4. Remplacer le protecteur de l'ampoule en saisissant le centre supérieur du protecteur et en insérant les languettes à une extrémité dans les fentes sur la surface interne du réfrigérateur. Ensuite plier délicatement le protecteur au centre pour insérer les languettes à l'autre extrémité.
5. Brancher le réfrigérateur ou reconnecter la source de courant électrique.

REMARQUE : Pour nettoyer le protecteur de l'ampoule, le laver dans de l'eau tiède avec un détergent liquide doux. Rincer le couvercle et bien le sécher.

Ampoules d'éclairage du congélateur

Lumière au-dessous du bac à glaçons :

1. Débrancher le réfrigérateur ou déconnecter la source de courant électrique.
2. Appuyer sur les côtés du protecteur de l'ampoule et l'abaisser jusqu'à ce que le protecteur se dégage.

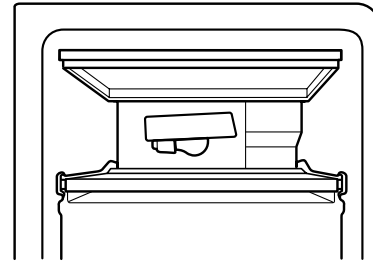


3. Remplacer l'ampoule par une ampoule de 40 watts pour appareil électroménager.
4. Replacer le protecteur de l'ampoule.
5. Brancher le réfrigérateur ou reconnecter la source de courant électrique.

Lumière à la partie supérieure du congélateur (sur certains modèles) :

1. Débrancher le réfrigérateur ou déconnecter la source de courant électrique.
2. Enlever le protecteur de l'ampoule en saisissant le centre supérieur du protecteur et le retirer vers l'avant en le tournant légèrement d'un côté.

3. Remplacer l'ampoule par une ampoule de 40 watts pour appareil électroménager.



4. Remplacer le protecteur de l'ampoule en saisissant le centre supérieur du protecteur et en insérant les languettes à une extrémité dans les fentes sur la surface interne du réfrigérateur. Ensuite, plier délicatement le protecteur au centre pour insérer les languettes à l'autre extrémité.
5. Brancher le réfrigérateur ou reconnecter la source de courant électrique.

Pannes de courant

En cas de panne de courant, téléphoner à la compagnie d'électricité pour demander la durée de la panne.

1. Si le service doit être interrompu durant **24 heures ou moins, garder les deux portes fermées** pour aider les aliments à demeurer froids et congelés.
2. Si le service doit être interrompu **pendant plus de 24 heures :**
 - a) Retirer tous les aliments congelés et les entreposer dans un entrepôt frigorifique.

OU

- b) Placer 907 g (2 lb) de neige carbonique dans le congélateur pour chaque pied cube (28,32 L) d'espace de congélation. Cette quantité permettra de garder les aliments congelés durant deux à quatre jours. Porter des gants pour protéger les mains contre les morsures de la glace lorsque vous employez de la neige carbonique.

OU

- c) S'il n'y a pas d'entrepôt frigorifique ni de neige carbonique, consommer ou mettre immédiatement en conserve les aliments périssables.

REMARQUE : Un congélateur plein restera froid plus longtemps qu'un congélateur partiellement rempli. Un congélateur plein de viandes demeure froid plus longtemps qu'un congélateur rempli de pains et de pâtisseries. Si les aliments contiennent des cristaux de glace, ils peuvent être remis à congeler sans danger même si la qualité et la saveur risquent d'être affectées. Si les aliments semblent de piètre qualité ou douteux, les jeter.

Entretien avant les vacances ou lors d'un déménagement

Vacances

Si vous choisissez de laisser le réfrigérateur en fonctionnement pendant votre absence, utiliser ces étapes pour préparer votre réfrigérateur avant d'aller en vacances.

1. Consommer tous les aliments périssables et congeler les autres articles au congélateur.
2. Si votre réfrigérateur a une machine à glaçons automatique :
 - Soulever le bras de la machine à glaçons à la position OFF (élevée).
 - Fermer l'approvisionnement d'eau à la machine à glaçons.
3. Vider le bac à glaçons.

Si vous choisissez d'arrêter le fonctionnement du réfrigérateur avant votre absence, observer ces étapes.

1. Enlever tous les aliments du réfrigérateur.
2. Si votre réfrigérateur a une machine à glaçons automatique :
 - Fermer l'approvisionnement d'eau à la machine à glaçons au moins une journée à l'avance.
 - Lorsque la dernière quantité de glaçons est déposée, soulever le bas de la machine à glaçons à la position OFF (élevée).
3. Tourner la commande du thermostat (ou la commande du réfrigérateur, selon le modèle) à OFF. Voir la section "Réglage des commandes".
4. Nettoyer le réfrigérateur, l'essuyer et bien le sécher.
5. À l'aide d'un ruban adhésif, placer des blocs de caoutchouc ou de bois dans la partie supérieure de chaque porte de façon à ce qu'elles soient suffisamment ouvertes pour permettre la circulation de l'air à l'intérieur, afin d'éviter l'accumulation d'odeur ou de moisissure.

Déménagement

Lorsque vous déménagez votre réfrigérateur à une nouvelle habitation, suivre ces étapes pour préparer le déménagement.

1. Si votre réfrigérateur a une machine à glaçons automatique :
 - Fermer l'approvisionnement d'eau de la machine à glaçons au moins une journée à l'avance.
 - Débrancher la canalisation d'eau de l'arrière du réfrigérateur.
 - Lorsque la dernière quantité de glaçons est tombée, soulever le bras de commande à la position OFF (élevée).
2. Retirer tous les aliments du réfrigérateur et placer tous les aliments congelés dans de la neige carbonique.
3. Tourner le thermostat (ou réglage du réfrigérateur, selon le modèle) à OFF (arrêt). Voir la section "Réglage des commandes".
4. Débrancher le réfrigérateur de la prise.
5. Vider l'eau du plat de dégivrage.
6. Nettoyer, essuyer et sécher à fond.
7. Retirer toutes les pièces amovibles, bien les envelopper et les attacher ensemble à l'aide de ruban adhésif pour qu'elles ne bougent pas ni ne s'entrechoquent durant le déménagement.
8. Selon le modèle, soulever le devant du réfrigérateur pour qu'il roule plus facilement OU glisser les pieds de nivellement pour qu'ils n'égratignent pas le plancher. Voir la section "Fermeture des portes".
9. Fermer la porte à l'aide de ruban adhésif et fixer le cordon d'alimentation à la caisse du réfrigérateur.

Lorsque vous arriverez à votre nouvelle habitation, remettre tout en place et consulter la section "Installation du réfrigérateur" pour les instructions de préparation. Aussi, si votre réfrigérateur a une machine à glaçons automatique, rappelez-vous de rebrancher l'approvisionnement d'eau au réfrigérateur.

DÉPANNAGE

Essayer les solutions suggérées ici en premier afin d'éviter les coûts d'une visite de service inutile.

Le réfrigérateur ne fonctionne pas

- **Le cordon d'alimentation électrique est-il débranché?**
Brancher fermement le cordon du courant électrique dans une prise de courant active et de tension appropriée.
- **Un fusible est-il grillé ou le disjoncteur s'est-il déclenché?**
Remplacer le fusible ou réenclencher le disjoncteur.
- **Le réglage du réfrigérateur est-il à la position "OFF" (arrêt)?**
Voir la section "Réglage des commandes".
- **Le réfrigérateur est-il en train de se dégivrer?**
Vérifier pour voir si le réfrigérateur fonctionne au bout de 30 minutes. Le réfrigérateur exécutera régulièrement un programme automatique de dégivrage.

Les ampoules n'éclairent pas

- **Le cordon d'alimentation électrique est-il débranché?**
Brancher fermement le cordon du courant électrique dans une prise de courant active et de tension appropriée.
- **Une ampoule d'éclairage est-elle desserrée dans la douille?**
Tourner le réglage du réfrigérateur à OFF (arrêt). Débrancher le réfrigérateur de la source d'alimentation électrique. Enlever délicatement l'ampoule et la réinsérer. Ensuite rebrancher le réfrigérateur à la source de courant électrique et faire de nouveau le réglage du réfrigérateur.
- **Une ampoule est-elle grillée?**
Remplacer par une ampoule d'appareil électroménager de tension, de grosseur et de format similaires. Voir la section "Remplacement des ampoules d'éclairage".

Le plat de dégivrage contient de l'eau

- **Le réfrigérateur est-il en train de se dégivrer?**
L'eau s'évaporera. C'est normal pour l'eau de dégoutter dans le plat de dégivrage.
- **Y a-t-il plus d'humidité que d'habitude?**
Prévoir que l'eau dans le plat de dégivrage prend plus de temps à s'évaporer. Ceci est normal quand il fait chaud ou humide.

Le moteur semble fonctionner excessivement

- **La température ambiante est-elle plus chaude que d'habitude?**
Prévoir que le moteur fonctionnera plus longtemps dans des conditions de chaleur. Pour des températures ambiantes normales, prévoir que le moteur fonctionne environ 40% à 80% du temps. Dans des conditions plus chaudes, prévoir un fonctionnement encore plus fréquent.
 - **Vient-on d'ajouter une grande quantité d'aliments au réfrigérateur?**
L'addition d'une grande quantité d'aliments réchauffe le réfrigérateur. Il est normal que le moteur fonctionne plus longtemps afin de refroidir de nouveau le réfrigérateur. Voir la section "Conservation des aliments".
 - **La porte est-elle ouverte fréquemment?**
Prévoir que le moteur fonctionnera plus longtemps dans ce cas. Afin de conserver l'énergie, essayer de sortir tout ce dont vous avez besoin du réfrigérateur à la fois, garder les aliments organisés de sorte qu'ils sont faciles à trouver et fermer la porte dès que les aliments sont retirés.
 - **Les réglages ne sont-ils pas faits correctement pour les conditions ambiantes?**
Voir la section "Réglage des commandes".
 - **Les portes ne sont-elles pas complètement fermées?**
Pousser les portes pour qu'elles soient bien fermées. Si les portes ne ferment pas complètement, voir "Les portes ne se ferment pas complètement" plus loin dans cette section.
 - **Les serpentins du condenseur sont-ils sales?**
Cette situation empêche le transfert de l'air et fait travailler davantage le moteur. Nettoyer les serpentins du condenseur. Voir la section "Nettoyage du réfrigérateur".
 - **Les joints des portes ne sont-ils pas hermétiques sur tout le contour?**
Contacter une personne qualifiée ou un technicien.
- REMARQUE :** Si le problème n'est pas attribuable à l'une des situations ci-dessus, rappelez-vous que votre réfrigérateur neuf fonctionnera plus longtemps que l'ancien appareil du fait de son moteur très efficace.

Le réfrigérateur semble faire trop de bruit

- **Les bruits peuvent être normaux pour votre réfrigérateur?**
Voir la section "Les bruits de l'appareil que vous pouvez entendre".

La machine à glaçons ne produit pas de glaçons

- **La température du congélateur n'est-elle pas assez froide pour produire des glaçons?**
Attendre 24 heures après la connexion de la machine à glaçons pour la production de glaçons. Voir la section "Réglage des commandes".
- **Le levier de la machine à glaçons est-il en position "OFF" (élevée)?**
Abaisser le bras à la position "ON" (abaissée). Voir la section "Fonctionnement de la machine à glaçons".
- **La valve de la canalisation d'eau reliée au réfrigérateur n'est-elle pas ouverte?**
Ouvrir la valve d'eau. Voir la section "Raccordement du réfrigérateur à une canalisation d'eau".
- **Un glaçon est-il coincé dans le bras éjecteur?**
Enlever le glaçon du bras éjecteur avec un ustensile en plastique. Voir "Fonctionnement de la machine à glaçons".
- **Y a-t-il de l'eau dans le moule de la machine à glaçons?**
Vérifier pour voir si le réfrigérateur a été branché à la canalisation d'eau de la maison, et si la valve d'arrêt de la canalisation est ouverte. Voir la section "Raccordement du réfrigérateur à une canalisation d'eau."
REMARQUE : Si cette situation n'est pas attribuable à ce qui précède, il peut exister un problème avec la canalisation d'eau. Faire un appel de service.

La machine à glaçons produit trop peu de glaçons

- **La machine à glaçons vient-elle juste d'être installée?**
Attendre 72 heures pour le commencement de la production complète de glaçons. Une fois que le réfrigérateur est refroidi, la machine à glaçons devrait commencer à produire de 70 à 120 glaçons à toutes les 24 heures.
- **Une grande quantité de glaçons vient-elle d'être enlevée?**
Attendre 24 heures pour que la machine à glaçons produise plus de glaçons.
- **Les réglages ne sont-ils pas faits correctement?**
Voir la section "Réglage des commandes".
- **Le robinet d'eau n'est-il pas complètement ouvert?**
Ouvrir complètement le robinet. Voir la section "Raccordement du réfrigérateur à une canalisation d'eau".
- **Un filtre à eau est-il installé sur le réfrigérateur?**
Vérifier d'abord les instructions d'installation du filtre pour s'assurer que le filtre a été bien installé et qu'il n'est pas obstrué. Si l'installation ou l'obstruction n'est pas le problème, téléphoner à un technicien qualifié.

Mauvais goût, odeur ou couleur grise des glaçons

- **Les raccords de plomberie sont-ils neufs et causent-ils une décoloration et un mauvais goût des glaçons?**
Jeter les premières quantités de glaçons.
- **Les glaçons ont-ils été gardés trop longtemps?**
Jeter les vieux glaçons et en faire une nouvelle provision.
- **Les aliments dans le congélateur ou le réfrigérateur ont-ils été bien emballés?**
Voir la section "Guide de conservation des aliments".
- **Le congélateur et le bac à glaçons ont-ils besoin d'être nettoyés?**
Voir la section "Nettoyage du réfrigérateur".
- **L'eau contient-elle des minéraux (tels que le soufre)?**
L'installation d'un filtre peut être requise afin d'enlever les minéraux.
- **Un filtre à eau est-il installé sur le réfrigérateur?**
Une décoloration grise ou foncée dans la glace indique que le système de filtration de l'eau a besoin d'un rinçage additionnel.

Faire couler de l'eau supplémentaire dans le distributeur d'eau pour mieux nettoyer le système de filtration de l'eau (au moins deux à trois gallons ou pendant 6 à 7 minutes initialement). Jeter la glace décolorée.

Le distributeur de glaçons ne fonctionne pas correctement

- **La porte du congélateur est-elle fermée complètement?**
Pousser la porte pour qu'elle soit bien fermée. Si elle ne ferme pas complètement, voir plus loin dans cette section "Les portes ne se ferment pas complètement".
- **Le bac à glaçons est-il bien installé?**
Pousser le bac à glaçons complètement. Si le bac à glaçons n'est pas poussé jusqu'au fond, il peut ne pas avoir été placé droit. Le retirer et essayer de nouveau.
- **Les mauvais glaçons ont-ils été ajoutés au bac?**
Utiliser seulement des cubes produits par la machine à glaçons courante. Si d'autres cubes ont été ajoutés, enlever tous les cubes et vérifier pour voir si un glaçon s'est coincé dans la chute de livraison.

- **Les glaçons ont-ils gelé dans le bac à glaçons?**
Secouer le bac à glaçons pour séparer les cubes. Si les cubes ne se séparent pas, vider le bac et attendre 24 heures pour regarnir le stock de glaçons.
- **La glace a-t-elle fondu autour de la tige en métal dans le seau à glaçons?**
Vider les cubes de glace et nettoyer le seau à glaçons complètement. Accorder 24 heures pour que la machine à glaçons regarnisse le stock. Ne pas essayer d'enlever la glace fondue avec un objet pointu. Vous pourriez endommager le seau à glace.
- **Un glaçon est-il coincé dans la chute de livraison?**
Dégager le glaçon de la chute de livraison à l'aide d'un ustensile en plastique. Ne pas utiliser un article pointu pour enlever la glace. Vous pourriez causer des dommages.
- **Y a-t-il des glaçons dans le seau?**
Voir "La machine à glaçons ne produit pas de glaçons" plus haut dans cette section.
- **Le levier de distribution a-t-il été tenu trop longtemps?**
Dégager le levier de distribution. Les glaçons cesseront d'être distribués lorsque le levier est tenu trop longtemps. Attendre 3 minutes pour que le moteur du distributeur soit réglé de nouveau avant d'être utilisé. (Pour utilisation ultérieure, prenez de grandes quantités de glaçons directement de la machine à glaçons de sorte que le levier de distribution n'est pas tenu trop longtemps.)

Le distributeur d'eau ne fonctionne pas bien

- **La porte du congélateur n'est-elle pas complètement fermée?**
Pousser la porte fermement. Si elle n'est pas fermée complètement, voir "Les portes ne se ferment pas complètement" plus loin dans cette section.
- **Le réservoir d'eau ne s'est-il pas rempli?**
Le réservoir d'eau a besoin d'être rempli la première fois qu'il est utilisé. Abaisser la barre de distribution avec un grand contenant jusqu'au retrait de 2 ou 3 pintes (1,9 à 2,8 L) d'eau. Jeter l'eau (se référer à la section "Distributeur d'eau et de glaçons" pour d'autres instructions sur la façon de remplir le réservoir d'eau.)
- **Le robinet de fermeture d'eau n'est-il pas ouvert ou la canalisation d'eau n'est-elle pas raccordée à la source?**
Vérifier pour s'assurer que le robinet d'arrêt d'eau est ouvert et que la source d'eau est connectée au réfrigérateur. Voir la section "Raccordement du réfrigérateur à une source d'eau".

- **Le robinet de fermeture d'eau est-il obstrué ou incorrectement installé?**
Se référer à la section "Raccordement du réfrigérateur à une source d'eau". Faire un appel de service ou faire venir un plombier.
- **La canalisation de la source d'eau du domicile comporte-t-elle une déformation?**
Si vous découvrez ou soupçonnez une déformation de la canalisation d'eau, faire un appel de service.
- **Un filtre à eau est-il installé sur le réfrigérateur?**
Le filtre peut être obstrué ou incorrectement installé. Vérifier d'abord les instructions d'installation du filtre pour s'assurer que le filtre a été installé correctement et n'est pas obstrué. Si l'installation ou l'obstruction n'est pas un problème, faire un appel de service.

L'eau ou la glace coule du distributeur

- **Le verre n'est-il pas tenu sous le distributeur de glaçons assez longtemps, ce qui cause le renversement des glaçons?**
Tenir le contenant sous la chute de glaçons pendant 2 à 3 secondes après avoir relâché le levier de distribution. Une petite quantité de glaçons peut être distribuée après le dégagement du levier.
- **L'eau dégoutte-t-elle parce que le verre n'est pas tenu sous le distributeur d'eau assez longtemps?**
Tenir le contenant sous le distributeur d'eau pendant 2 à 3 secondes après le dégagement du levier de distribution. L'eau peut continuer à couler durant ce temps.
- **Un glaçon coincé dans la chute maintient-il ouverte la porte de distribution?**
Enlever le glaçon.
- **Un filtre à eau est-il installé sur le réfrigérateur?**
Il peut y avoir de l'air dans les canalisations du système de filtration de l'eau ce qui cause des gouttes. Une purge supplémentaire pourrait aider à faire sortir l'air des canalisations. L'utilisation normale du distributeur devrait expulser l'air des canalisations en deçà de 24 à 72 heures.

L'eau du distributeur n'est pas assez froide

- **Le réfrigérateur vient-il d'être installé?**
Accorder 24 heures pour que le réservoir se refroidisse complètement.
- **Une grande quantité d'eau a-t-elle été récemment distribuée?**
Accorder 24 heures pour que le réservoir se refroidisse complètement.
- **N'a-t-on pas récemment distribué de l'eau?**
Le premier verre d'eau peut ne pas être froid. Jeter le premier verre d'eau.

La cloison entre les deux sections est tiède

- La température tiède est probablement attribuable à un fonctionnement normal du réglage automatique de l'humidité de l'extérieur. En cas de doute, faire un appel de service.

La température est trop tiède

- **Les ouvertures d'aération sont-elles bloquées dans une section ou l'autre? Cette obstruction empêche le mouvement de l'air froid du congélateur au réfrigérateur.**

Enlever tous les objets placés en avant des ouvertures d'aération. Consulter "Pour s'assurer d'une circulation d'air appropriée" pour l'emplacement des ouvertures d'aération.

- **La ou les portes sont-elles ouvertes?**
Prévoir que le réfrigérateur deviendra tiède dans ce cas. Pour garder le réfrigérateur froid, essayer de sortir tout ce dont vous avez besoin du réfrigérateur à la fois, garder les aliments bien rangés de sorte qu'il soit facile de les trouver et fermer la porte dès que les aliments sont retirés.
- **Vient-on d'ajouter une grande quantité d'aliments au réfrigérateur ou au congélateur?**
L'addition d'une grande quantité d'aliments réchauffe le réfrigérateur. Plusieurs heures peuvent être nécessaires pour que le réfrigérateur revienne à la température normale.
- **Les réglages sont-ils faits correctement pour les conditions ambiantes?**
Voir la section "Réglage des commandes".

Il y a une accumulation d'humidité à l'intérieur

- **Les ouvertures de circulation d'air sont-elles obstruées dans le réfrigérateur?**
Enlever tous les objets en avant des ouvertures d'air. Se référer à la section "Pour s'assurer d'une circulation d'air appropriée" pour l'emplacement des ouvertures d'air.
- **La porte est-elle souvent ouverte?**
Pour éviter l'accumulation d'humidité, essayer de sortir tout ce dont vous avez besoin du réfrigérateur à la fois, en gardant les aliments organisés pour qu'ils soient faciles à trouver, et fermer la porte dès que les aliments sont retirés. (Lorsque la porte est ouverte, l'humidité ambiante de la pièce pénètre dans le réfrigérateur. Le plus souvent la porte est ouverte, le plus rapidement l'humidité s'accumule, surtout lorsque la pièce elle-même est très humide.)
- **La pièce est-elle humide?**
Il est normal que l'humidité s'accumule à l'intérieur du réfrigérateur lorsque l'air de l'extérieur est humide.

- **Les aliments sont-ils bien emballés?**
Vérifier que tous les aliments sont bien emballés. Si nécessaire, emballer de nouveau les aliments d'après les directives à la section "Guide de conservation des aliments". Essuyer les contenants humides d'aliments avant de les placer au réfrigérateur.

- **Les réglages sont-ils faits correctement pour les conditions ambiantes?**
Voir la section "Réglage des commandes".

- **Un programme autodégivreur vient-il de se terminer?**
Il est normal que des gouttelettes se forment sur la paroi arrière après que le réfrigérateur se dégivre automatiquement.

Les portes ne se ferment pas complètement

- **Les emballages d'aliments empêchent-ils la porte de fermer?**
Réorganiser les contenants de sorte qu'ils soient plus rapprochés et prennent moins d'espace.
- **Le bac à glaçons n'est-il pas en bonne position?**
Pousser le bac à glaçons jusqu'au fond.
- **Les plats, tablettes, bacs ou paniers ne sont-ils pas en bonne position?**
Placer le couvercle du bac à légumes et tous les plats, tablettes, bacs et paniers à la position correcte. Voir plus de renseignements à la section "Bac à légumes et couvercle du bac à légumes".
- **Les joints collent-ils?**
Nettoyer les joints et ensuite appliquer de la paraffine d'après les instructions fournies à la section "Fermeture des portes".
- **Le réfrigérateur branle-t-il ou semble-t-il instable?**
Niveler le réfrigérateur. Consulter la section "Fermeture des portes".
- **Les portes ont-elles été enlevées durant l'installation de l'appareil et mal réinstallées?**
Enlever et replacer les portes en suivant la section "Enlèvement des portes" ou faire venir une personne qualifiée.

Les portes sont difficiles à ouvrir

- **Les joints sont-ils sales ou collants?**
Nettoyer les joints et ensuite appliquer de la paraffine en suivant les directives à la section "Nettoyage du réfrigérateur".

Le débit d'eau du distributeur diminue beaucoup

- **Un filtre à eau est-il installé sur le réfrigérateur? Le filtre peut être plein ou incorrectement installé.** Ôter la cartouche du filtre à eau (voir la section "Système de filtration d'eau"). Faire fonctionner le distributeur. Si le débit d'eau s'accroît beaucoup, votre filtre est plein et doit être remplacé.

ASSISTANCE OU SERVICE

Avant de demander une assistance ou un service, veuillez vérifier la section "Dépannage". Cette vérification peut vous faire économiser le coût d'une visite de réparation. Si vous avez encore besoin d'aide, suivre les instructions ci-dessous.

Lors d'un appel, veuillez connaître la date d'achat et les numéros au complet de modèle et de série de votre appareil. Ces renseignements nous aideront à mieux répondre à votre demande.

Si vous avez besoin de pièces de rechange...

Si vous avez besoin de commander des pièces de rechange, nous vous recommandons d'utiliser seulement des pièces de rechange d'origine. Les pièces de rechange d'origine fonctionneront bien et fonctionneront bien parce qu'elles sont fabriquées selon les mêmes spécifications précises utilisées pour construire chaque nouvel appareil KitchenAid.

Pour localiser des pièces de rechange d'origine dans votre région, téléphoner à notre Centre d'assistance aux consommateurs ou au centre de service désigné le plus proche.

Aux États-Unis :

Téléphoner au centre d'assistance aux consommateurs KitchenAid en composant le **1-800-422-1230**.

Nos consultants fournissent l'assistance pour :

- Caractéristiques et spécifications à notre gamme complète d'appareils électroménagers
- Renseignements d'installation
- Procédés d'utilisation et d'entretien
- Banque d'accessoires et de pièces de rechange
- Assistance spécialisée au client (langue espagnole, malentendants, malvoyants, etc.)
- Les références aux concessionnaires, compagnies de service de réparation et distributeurs de pièces de rechange locaux.

Pour localiser la compagnie de service KitchenAid autorisée dans votre région, vous pouvez consulter les pages jaunes de votre annuaire téléphonique.

Pour plus d'assistance ...

Si vous avez besoin de plus d'assistance, vous pouvez écrire à KitchenAid en soumettant toute question ou problème à :

KitchenAid Brand Home Appliances
Consumer Assistance Center
c/o Correspondence Dept.
2000 North M-63
Benton Harbor, MI 49022-2692

Dans votre correspondance, veuillez indiquer un numéro de téléphone où on peut vous joindre dans la journée.

Au Canada

Téléphoner sans frais au Centre d'assistance aux consommateurs de KitchenAid Canada au : **1-800-461-5681** de 8 h 30 à 18 h (HNE).

Nos consultants fournissent l'assistance pour :

- Caractéristiques et spécifications à notre gamme complète d'appareils électroménagers.
- Les références aux concessionnaires locaux.

Pour service au Canada

Composer le **1-800-807-6777**. Les techniciens de service désignés par KitchenAid Canada sont formés pour remplir la garantie des produits et fournir un service après la garantie partout au Canada.

Pour plus d'assistance

Si vous avez besoin de plus d'assistance, vous pouvez écrire à KitchenAid en soumettant toute question ou problème à :

Consumer Relations Department
KitchenAid Canada
1901 Minnesota Court
Mississauga, Ontario L5N 3A7

Dans votre correspondance, veuillez indiquer un numéro de téléphone où on peut vous joindre dans la journée.

GARANTIE DE RÉFRIGÉRATEUR KITCHENAID®

GARANTIE COMPLÈTE DE UN AN SUR LE RÉFRIGÉRATEUR

Pour une période de un an à partir de la date d'achat, lorsque ce réfrigérateur est utilisé et entretenu conformément aux instructions fournies avec le produit, KitchenAid paiera pour les pièces de rechange d'origine et les frais de réparation pour corriger les vices de matériaux ou de fabrication. Les travaux doivent être effectués par une compagnie de service désignée par KitchenAid.

Garantie limitée de 30 jours du filtre à eau. Pour une période de 30 jours à partir de la date d'achat, lorsque ce filtre est utilisé et entretenu conformément aux instructions fournies avec le produit, KitchenAid paiera pour les pièces de rechange pour corriger les vices de matériaux ou de fabrication.

GARANTIE COMPLÈTE DE LA DEUXIÈME À LA CINQUIÈME ANNÉE INCLUSIVEMENT

De la deuxième à la cinquième année inclusivement à partir de la date d'achat, KitchenAid paiera pour le remplacement et la réparation de la cuve du réfrigérateur/congélateur (y compris les frais de réparation) si la cuve se fend par suite de vices de matériaux ou de fabrication. Les travaux doivent être effectués par une compagnie de service désignée par KitchenAid.

Aussi, les pièces de rechange d'origine et les frais de réparation pour corriger les vices de matériaux ou de fabrication dans le système de réfrigération scellé. Ces pièces sont : le compresseur, l'évaporateur, le condenseur, le dispositif de séchage et les tubes de raccord. Les travaux doivent être effectués par une compagnie de service désignée par KitchenAid.

GARANTIE LIMITÉE DE LA SIXIÈME À LA DIXIÈME ANNÉE INCLUSIVEMENT

De la sixième à la dixième année inclusivement à partir de la date d'achat, les pièces de rechange pour corriger les vices de matériaux ou de fabrication dans le système de réfrigération scellé. Ces pièces sont : le compresseur, l'évaporateur, le condenseur, le dispositif de séchage et les tubes de raccord. Les travaux doivent être effectués par une compagnie de service désignée par KitchenAid.

GARANTIE LIMITÉE À VIE

De la deuxième année à partir de la date d'achat jusqu'à la fin de la vie utile du produit, KitchenAid paiera pour le remplacement de tous les balconnets SLIDE 'N' LOCK™ et porte-cannettes SLIDE 'N' LOCK™ par suite de vices de matériaux ou de fabrication.

KitchenAid ne paiera pas pour :

1. Les visites de service pour rectifier l'installation du réfrigérateur, montrer à l'utilisateur comment utiliser le réfrigérateur ou remplacer des fusibles, rectifier le câblage électrique ou la plomberie du domicile, remplacer des ampoules électriques ou le remplacement des filtres à eau, sauf tel que décrit plus haut.
2. Les réparations lorsque le réfrigérateur est utilisé à des fins autres qu'un usage unifamilial normal.
3. Les dommages causés par : accident, modification, usage inapproprié, incendie, inondation, actes de Dieu, ou l'utilisation de produits non approuvés par KitchenAid ou KitchenAid Canada.
4. Toute perte d'aliments attribuable à une panne de courant.
5. Les frais de main-d'oeuvre durant la période de la garantie limitée.
6. Les pièces de rechange ou les frais de réparation des appareils utilisés à l'extérieur du Canada ou des États-Unis.
7. Le transport pour aller chercher et livrer l'appareil. Ce produit est conçu pour être réparé sur place.
8. Les réparations de pièces ou systèmes attribuables à des modifications non autorisées de l'appareil ménager.
9. Au Canada, les frais de déplacement ou de transport pour les clients qui habitent dans des régions éloignées.

KITCHENAID ET KITCHENAID CANADA DÉCLINENT TOUTE RESPONSABILITÉ AU TITRE DE DOMMAGES SECONDAIRES OU INDIRECTS

Certains États ou provinces peuvent ne pas admettre l'exclusion ou la limitation des dommages secondaires ou indirects; par conséquent, l'exclusion ou la limitation mentionnée ci-dessus peut ne pas s'appliquer dans votre cas. Cette garantie vous confère des droits juridiques spécifiques; vous pouvez également jouir d'autres droits, variables d'un État à un autre ou d'une province à une autre.

À l'extérieur du Canada et des États-Unis, une garantie différente peut s'appliquer. Pour plus de détails, prière de contacter votre marchand KitchenAid autorisé.

Si vous avez besoin de service, consulter d'abord la section "Dépannage" dans cette brochure. Après avoir vérifié la section "Dépannage", une aide additionnelle peut être trouvée en vérifiant la section "Demande d'assistance ou de service" ou en téléphonant au Centre d'assistance aux consommateurs KitchenAid au 1-800-422-1230 (sans frais), de n'importe où aux É.-U. Au Canada, contacter votre compagnie de service autorisée par KitchenAid Canada ou téléphoner au 1-800-807-6777.

3/99

Pour des renseignements sur la garantie au Canada :

Veuillez contacter votre marchand autorisé KitchenAid ou appeler le Centre d'assistance aux consommateurs au 1-800-461-5681 (sans frais d'interurbain) de 8 h 30 à 18 h (HNE) de n'importe où au Canada.

Conserver ce livret et le reçu de vente ensemble pour référence ultérieure. Il faut fournir une preuve d'achat ou de date d'installation pour le service au titre de la garantie.

Veuillez noter les renseignements suivants à propos du réfrigérateur pour mieux obtenir assistance ou service en cas de besoin. Vous devriez connaître les numéros de modèle et de série complets. Vous pouvez trouver cette information sur la plaque signalétique de votre appareil ménager à l'endroit indiqué dans la section "Pièces et caractéristiques" de ce livret.

Nom du marchand _____

Adresse _____

Numéro de téléphone _____

Numéro de modèle _____

Numéro de série _____

Date d'achat _____

CERTIFICATIONS DE FILTRE À EAU

Feuille de données sur le produit

Système de filtration d'eau modèle WF-L500



Ce produit a été testé et homologué par NSF International en vertu de la norme 42 ANSI/NSF pour le goût, l'odeur et la réduction de chlore (catégorie I) et de la norme 53 pour la réduction de plomb.

Spécifications : Capacité de réduction de plomb et goût/odeur/chlore (catégorie I)

1893 Liters (500 gallons)

Débit de service 0,5 GPM (1,89 L/mn) à 60 lb/po²

Rendement général	Affluent moyen	Effluent maximal	Effluent moyen	% de réduction minimal	% de réduction moyen	Exigence de test NSF
Chlore	2,0 mg/L	N/A	0,1 mg/L	N/A	93 %	réduction minimale de 75 % (catégorie I)

Performance de réduction de contaminant ^{††}	U.S. EPA MCL	Affluent moyen	Effluent maximal	Effluent moyen	% de réduction minimal	% de réduction moyen	Exigence de test NSF
Plomb à pH 6,5	0,015 mg/L	0,16 mg/L [†]	0,007 mg/L	0,004 mg/L	95 %	97 %	effluent maximal 0,015 mg/L
Plomb à pH 8,5	0,015 mg/L	0,14 mg/L [†]	0,012 mg/L	0,008 mg/L	91 %	94 %	effluent maximal 0,015 mg/L

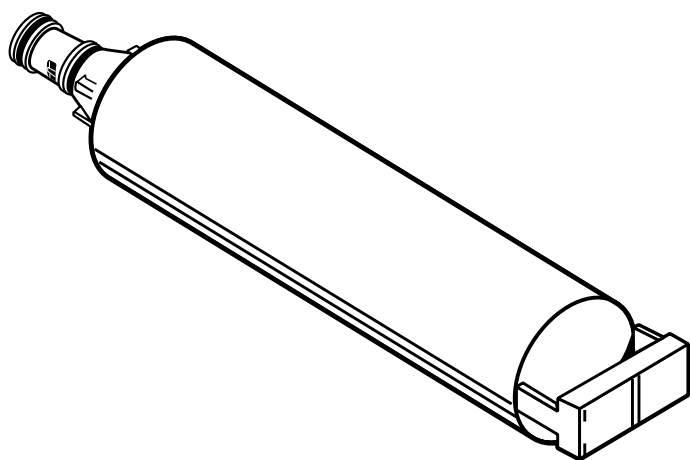
[†] L'exigence de test est de 0,15 mg/L ± 10 %

^{††} Ces contaminants ne se trouvent pas nécessairement dans votre approvisionnement d'eau. La performance peut varier en fonction des conditions d'eau locales.

Directives d'application/ Paramètres d'approvisionnement en eau

Approvisionnement en eau	Ville ou puits
Pression d'eau	30-120 lb/po ² (207-827 kPa)
Température de l'eau	33-100° F (0,6°-37,8° C)

- Il est essentiel que les exigences de fonctionnement, d'entretien et de remplacement de filtre soient respectées pour que ce produit donne le rendement annoncé.
- Le système de contrôle du filtre mesure la quantité d'eau qui passe par le filtre et vous signale quand remplacer le filtre. Lorsque 90 % de la vie utile du filtre^{3/99} sont écoulés, le témoin lumineux du filtre passe du vert au jaune. Lorsque 100 % de la vie utile du filtre sont écoulés, le témoin lumineux du filtre passe du jaune au rouge, et il est recommandé que vous remplaciez le filtre. Utiliser la cartouche de remplacement n° de pièce L500. Le prix conseillé au détail est 29,95 \$ U.S.A/ 39,95 \$ Canada.
- Le produit ne doit être utilisé que pour l'eau froide seulement.
- Ne pas utiliser avec de l'eau microbiologiquement dangereuse ou de qualité inconnue sans une désinfection adéquate avant et après l'unité.



Free Manuals Download Website

<http://myh66.com>

<http://usermanuals.us>

<http://www.somanuals.com>

<http://www.4manuals.cc>

<http://www.manual-lib.com>

<http://www.404manual.com>

<http://www.luxmanual.com>

<http://aubethermostatmanual.com>

Golf course search by state

<http://golfingnear.com>

Email search by domain

<http://emailbydomain.com>

Auto manuals search

<http://auto.somanuals.com>

TV manuals search

<http://tv.somanuals.com>