

**PANEL MODELS AND WRAPAROUND  
METAL DOOR MODELS  
36" (91.4 cm), 42" (106.7 cm), 48" (121.9 cm)  
BUILT-IN REFRIGERATORS  
with WATER FILTRATION**

**IMPORTANT:  
READ AND  
SAVE THESE  
INSTRUCTIONS.**

**INSTALLATION  
REQUIRES  
2 OR MORE  
PEOPLE.**



**⚠ WARNING**



**Tip Over Hazard**

Refrigerator is top heavy and tips easily when not completely installed.

Keep doors taped closed until refrigerator is completely installed.

Use two or more people to move and install refrigerator.

Failure to do so can result in death or serious injury.

**KitchenAid®**  
FOR THE WAY IT'S MADE®

**Important:**

- **Installer:** Leave Installation Instructions with the homeowner.
- **Homeowner:** Keep Installation Instructions for future reference.
- **Save** these Installation Instructions for the local electrical inspector's use.

# Before you start...

**Your safety and the safety of others are very important.**

We have provided many important safety messages in this manual and on your appliance. Always read and obey all safety messages.



This is the safety alert symbol.

This symbol alerts you to potential hazards that can kill or hurt you and others.

All safety messages will follow the safety alert symbol and either the word "DANGER" or "WARNING". These words mean:

## ! DANGER

**You can be killed or seriously injured if you don't immediately follow instructions.**

## ! WARNING

**You can be killed or seriously injured if you don't follow instructions.**

All safety messages will tell you what the potential hazard is, tell you how to reduce the chance of injury, and tell you what can happen if the instructions are not followed.

**Keep cardboard shipping piece or plywood under refrigerator until it is installed in the operating position.**

Note: If you are using a reverse osmosis water filtering system, it is recommended that the refrigerator's water filter be removed and the cap be replaced in the grille. (See Use and Care Guide.)

\* Dimensions shown are for leg levelers extended 1/8" (3 mm) below rollers. For levelers fully extended 1-1/4" (32 mm) below rollers, add 1-1/8" (29 mm) to this dimension.

**Important:**

**Observe all governing codes and ordinances.**

**It is your responsibility to:**

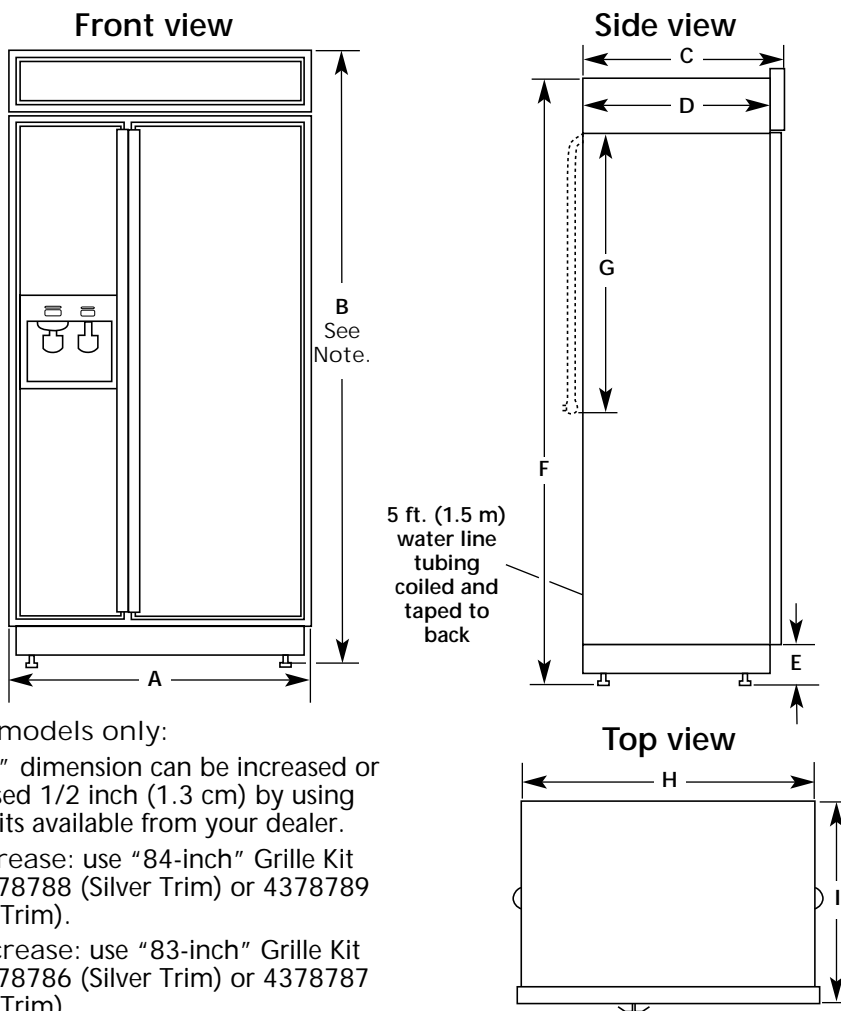
- Comply with installation specifications and dimensions.
- Properly install refrigerator.
- Remove any moldings or decorative panels that prevent the refrigerator from being serviced.
- Make sure that you have these materials necessary for proper installation:  
1/4" (6 mm) copper tubing with shutoff valve

1/4" (6 mm) compression fitting  
6 – #8 x 3" (7.6 cm) wood screws  
(Longer screws may be required.)

2 – 2" x 4" x 32" (5 cm x 10 cm x 81 cm) min. wood boards  
(See Page 4.)

- Assure that floor will support refrigerator weight (more than 600 lb/272 kg), door panels, and contents.
- Provide a properly grounded electrical outlet.
- Assure that location will permit appliance doors to open 110° minimum.

## Product dimensions



**Panel models only:**

The "B" dimension can be increased or decreased 1/2 inch (1.3 cm) by using Grille Kits available from your dealer.

To increase: use "84-inch" Grille Kit No. 4378788 (Silver Trim) or 4378789 (White Trim).

To decrease: use "83-inch" Grille Kit No. 4378786 (Silver Trim) or 4378787 (White Trim).

Panel models and wraparound metal door models <i>Dispenser and Non-Dispenser</i>			
	36" (91 cm)	42" (106 cm)	48" (122 cm)
<b>A</b>	36" (91 cm)	42" (106 cm)	48" (122 cm)
<b>B</b> <small>Panel model</small>	83-5/8" (212 cm)*	83-5/8" (212 cm)*	83-5/8" (212 cm)*
<b>B</b> <small>Wraparound metal model</small>	83-1/8" (211 cm)	83-1/8" (211 cm)	83-1/8" (211 cm)
<b>C</b>	25-1/8" (64 cm)	25-1/8" (64 cm)	25-1/8" (64 cm)
<b>D</b>	23-1/2" (60 cm)	23-1/2" (60 cm)	23-1/2" (60 cm)
<b>E</b>	3-1/2" (9 cm)*	3-1/2" (9 cm)*	3-1/2" (9 cm)*
<b>F</b>	83-1/8" (211 cm)*	83-1/8" (211 cm)*	83-1/8" (211 cm)*
<b>G</b>	24" (61 cm)	24" (61 cm)	24" (61 cm)
<b>H</b>	35" (89 cm)	41" (104 cm)	47" (119 cm)
<b>I</b>	25" (63.5 cm)	25" (63.5 cm)	25" (63.5 cm)

# Built-in opening requirements & dimensions

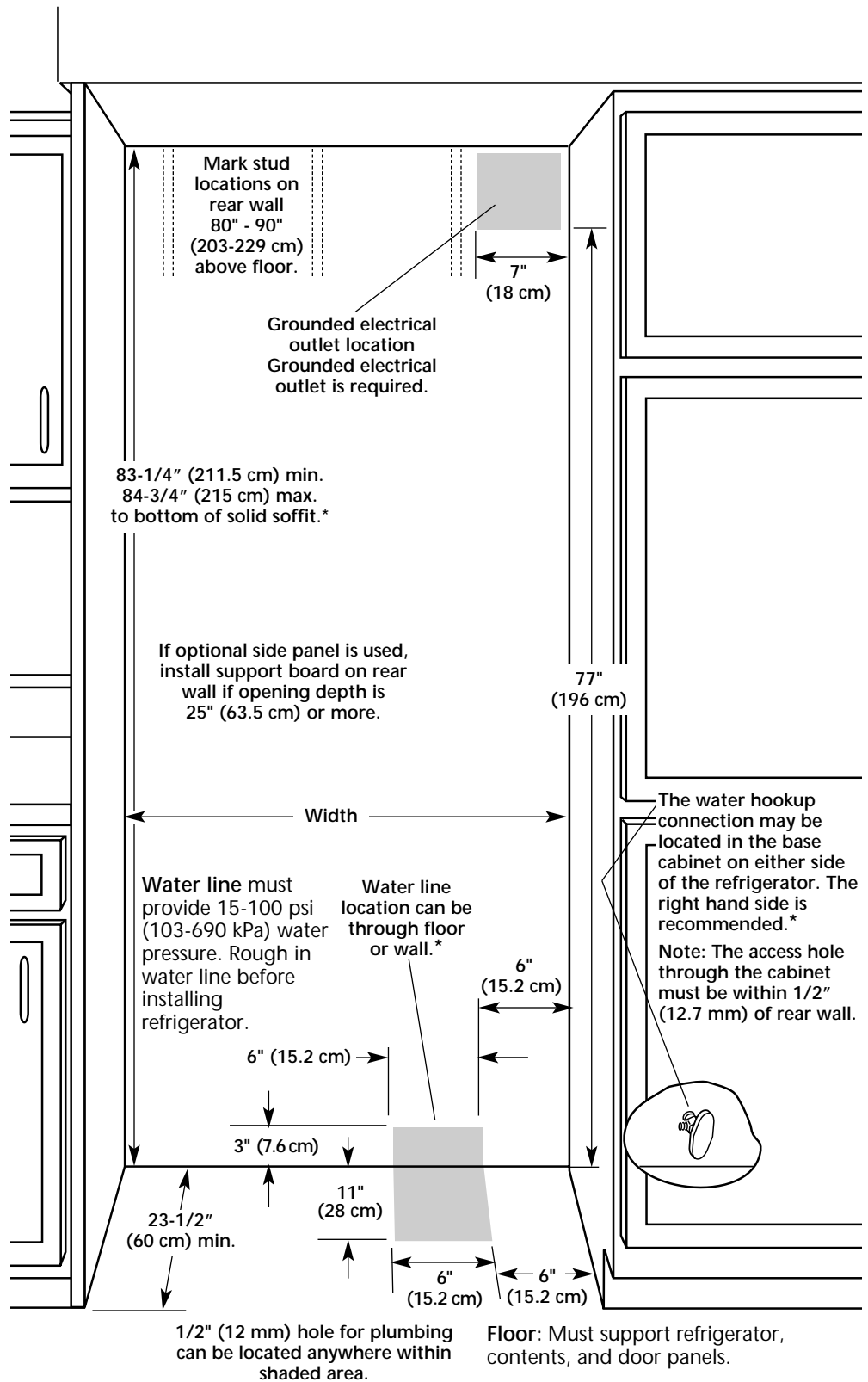
All dimensions  $\pm 1/8"$  (3 mm)

\* If solid soffit is not available, see "Anti-tip requirements" on Page 4. One of the three methods shown must be used.

The built-in refrigerator can be installed:

- recessed in the cabinet opening.
- at the end of cabinets using a side panel to enclose the refrigerator side.

Select one method and use dimensions given. Dimensions shown provide 0" (0 cm) clearance.

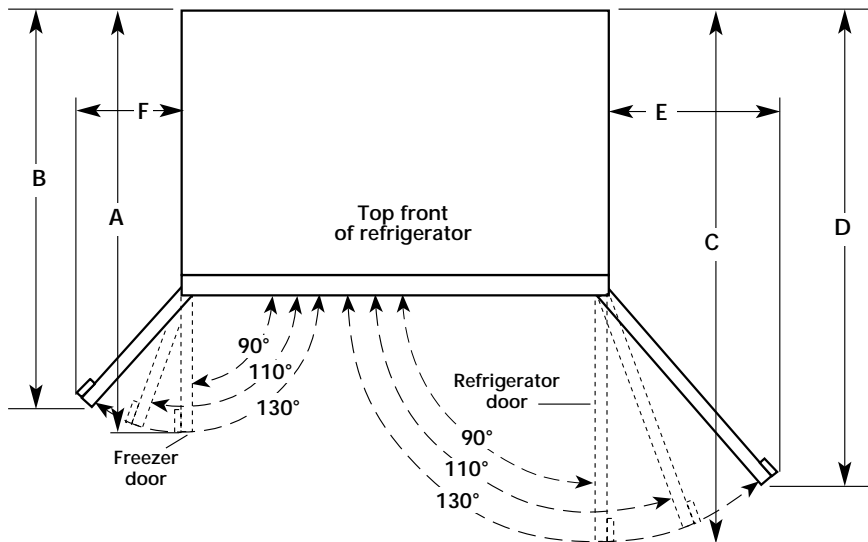


\*If a recommended water line location is used, no additional plumbing needs to be purchased.

## Opening dimensions

Model	36" (91 cm)	42" (106 cm)	48" (122 cm)
Width min.	35-1/2" (90 cm)	41-1/2" (105 cm)	47-1/2" (120 cm)

## Door swing dimensions



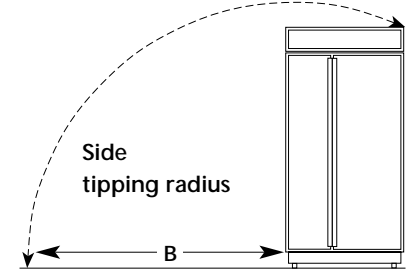
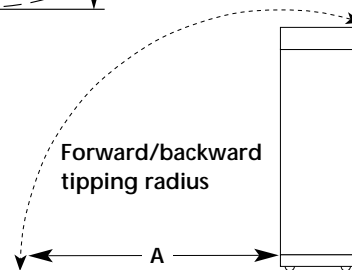
	36" 91 cm	42" 106 cm	48" 122 cm
A	38-1/2" (98 cm)	41" (104 cm)	43-1/2" (110 cm)
B	36-1/16" (92 cm)	38" (97 cm)	40" (102 cm)
C	43-1/2" (110 cm)	47" (119 cm)	50-1/2" (128 cm)
D	40" (102 cm)	42-9/16" (108 cm)	45-1/4" (115 cm)
E	19-3/4" (50 cm)	23-1/4" (59 cm)	26-3/4" (68 cm)
F	14-1/2" (37 cm)	17-1/4" (44 cm)	19-3/4" (50 cm)

Location must permit doors to open to 110° min. Allow 4-1/2 inch (11.4 cm) min. space between refrigerator side and corner wall.

## Tipping radius

Note: Dolly wheel height must be added to tipping radius when a dolly is used.

Size	A	B
36" (91 cm)	87-1/4" (222 cm)	90-1/2" (230 cm)
42" (106 cm)	87-1/4" (222 cm)	93" (236 cm)
48" (122 cm)	87-1/4" (222 cm)	96" (244 cm)



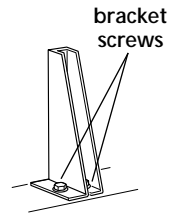
If additional ceiling clearance is required for tipping the refrigerator, follow the directions for your model.

### For wraparound metal models:

- Grasp both ends of the louver panel. Push straight up, then pull out and remove.
- Remove the two screws attaching grille panel, slide the grille panel down and remove.
- Remove the six screws attaching each cabinet side trim to the refrigerator and remove the side trims.
- Reassemble after dolly has been removed from refrigerator.

### For panel models:

- Grasp both ends of the panel. Push straight up, then pull out and remove.
- Remove the four screws attaching the frame to the brackets and remove.
- Remove two screws attaching each bracket to the refrigerator and remove.
- Reassemble after dolly has been removed from refrigerator.



## Anti-tip requirements

If a solid soffit 1" (2.5 cm) max. above refrigerator is not available, prevent the refrigerator from tipping during use, as shown.

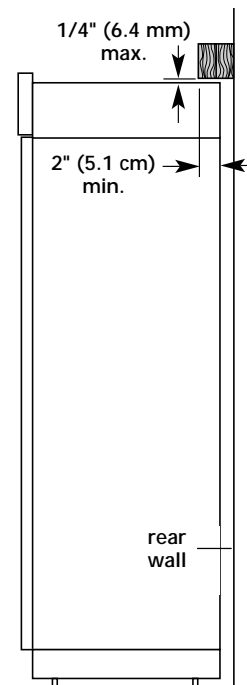
Securely attach a 32" (81 cm) long min. wood board(s) to wall studs behind refrigerator. The wood screws must be screwed into the studs 1-1/2" (3.8 cm) min. The board(s) must overlap the compressor cover as shown.

Board(s) must be long enough to fully cover width of compressor cover.

It is recommended that board(s) be installed before refrigerator is installed.

Locate the board(s) so the bottom surface of the board(s) are 84" (213 cm) from the floor. During installation, raise the refrigerator up so there is 1/4" (6.4 mm) max. between top of the refrigerator and bottom of anti-tip board(s).

DO NOT crush the condenser cover when raising the rear leveling legs.



# Parts that must be ordered separately or custom made

## 1. Panel kits

Four kits, containing colored acrylic or stainless steel door and top grille panels, are available through your KitchenAid dealer or by calling KitchenAid Parts and Accessories at 1-800-442-9991. Follow the kit instructions for installing the panels.

Panel kits are not required for "factory-installed stainless steel panel" models or wraparound metal door models.

## Panel kit numbers

Model	Non-dispenser			Dispenser		
	36" (91 cm)	42" (106 cm)	48" (122 cm)	36" (91 cm)	42" (106 cm)	48" (122 cm)
White	4318635	4318636	4318637	4378650	4378651	4378652
Black	4318632	4318633	4318634	4378653	4378654	4378655
Biscuit	4392879	4392880	4392881	4392886	4392887	4392888
Stainless Steel	4318641	4318642	4318643	4378659	4378660	4378661

## 2. Extended door handle kits

Two kits, containing one freezer door handle and one refrigerator door handle, are available through your KitchenAid dealer or by calling KitchenAid Parts and Accessories at 1-800-442-9991. Use extended door handles when additional finger clearance is needed between the door handle and custom panel. Follow the kit instructions for installing the door handles.

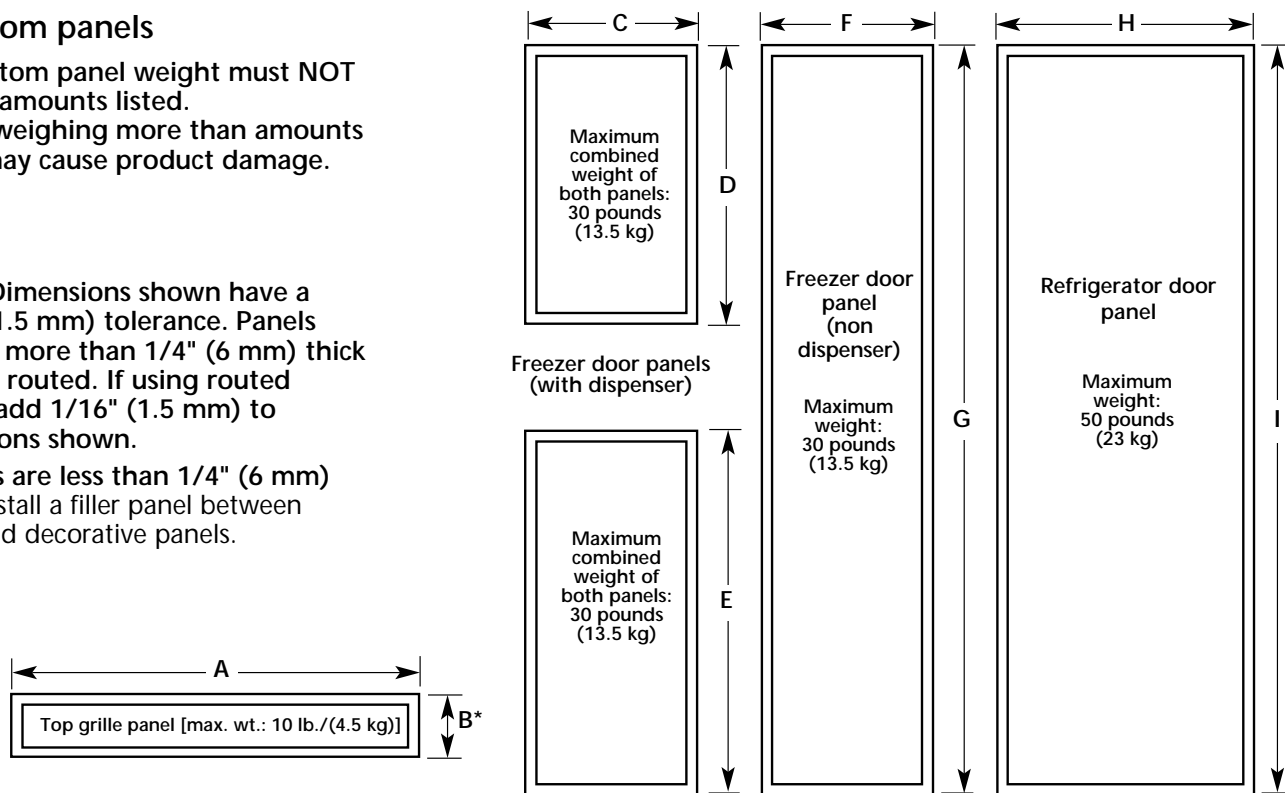
Color	Kit number
Matte Aluminum	4387989
White	4387990

## 3. Custom panels

The custom panel weight must NOT exceed amounts listed. Panels weighing more than amounts listed may cause product damage.

NOTE: Dimensions shown have a  $\pm 1/16$  (1.5 mm) tolerance. Panels that are more than 1/4" (6 mm) thick must be routed. If using routed panels, add 1/16" (1.5 mm) to dimensions shown.

If panels are less than 1/4" (6 mm) thick, install a filler panel between doors and decorative panels.



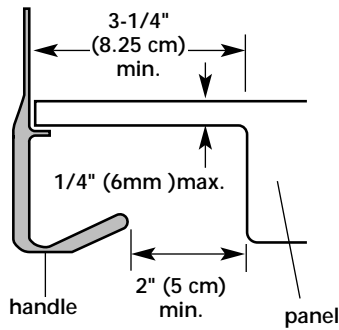
Size	A	B*	C	D	E	F	G	H	I
36" (91 cm)	32-3/8" (82 cm)	6" (15 cm)	14-1/4" (36 cm)	23-7/16" (60 cm)	34-7/16" (87 cm)	14-1/4" (36 cm)	70-7/16" (179 cm)	19-1/4" (49 cm)	70-7/16" (179 cm)
42" (106 cm)	38-3/8" (97 cm)	6" (15 cm)	16-3/4" (43 cm)	23-7/16" (60 cm)	34-7/16" (87 cm)	16-3/4" (43 cm)	70-7/16" (179 cm)	22-3/4" (58 cm)	70-7/16" (179 cm)
48" (122 cm)	44-3/8" (113 cm)	6" (15 cm)	19-1/4" (49 cm)	23-7/16" (60 cm)	34-7/16" (87 cm)	19-1/4" (49 cm)	70-7/16" (179 cm)	26-1/4" (67 cm)	70-7/16" (179 cm)

\*Dimension "B" can increase or decrease 1/2" (1.3 cm) if grille kits listed on page 2 are used.

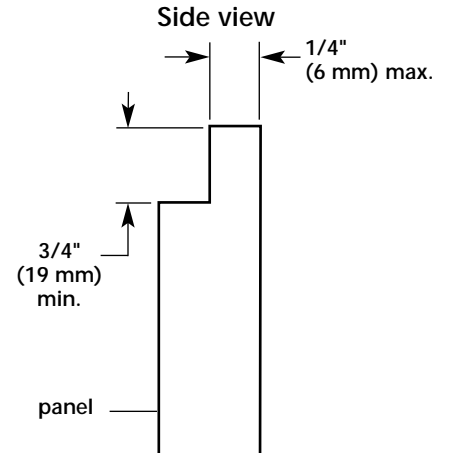
# Panel models

End view of handle side of panel

Custom panels more than 1/4" (6 mm) thick: Route entire length or selected areas of handle side of panels 3-1/4" (8.25 cm).



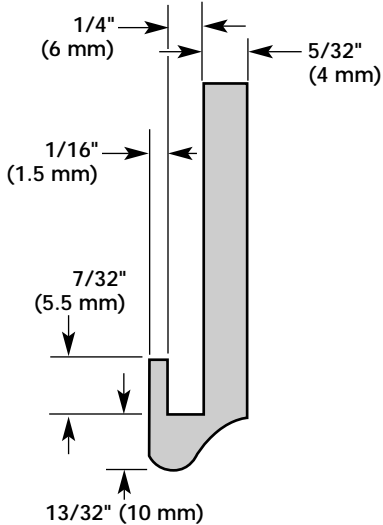
Dimensions for routing panel edges



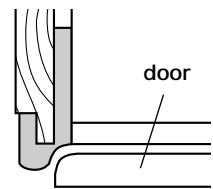
## 3. Side panels

If side panel will be installed inside side trim and the side panel is more than 1/4" (6 mm) thick, route front edge of panel to fit trim piece.

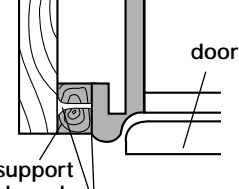
End view of side trim piece



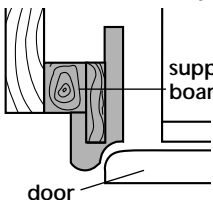
side panel inside side trim piece



side panel outside side trim piece



recessed side panel outside side trim piece



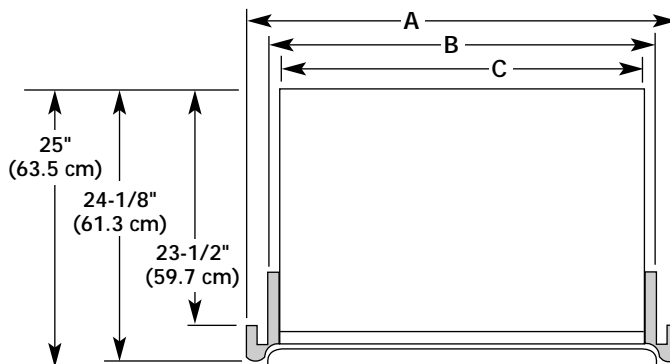
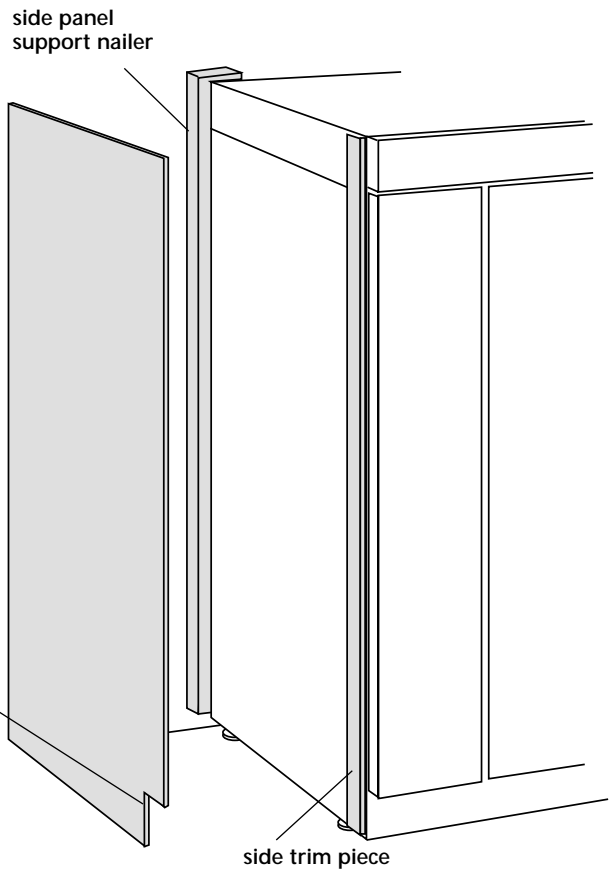
Attach support board with screw or adhesive compatible with aluminum and wood.

Route front edge of support board or attach 1/4" board for retention in cabinet side trim.

Width and height: depend on installation type.

Thickness: 1/2" (12 mm) minimum to prevent warping.

Notches for toe panel recess (if desired). Determine installation height before cutting notches.



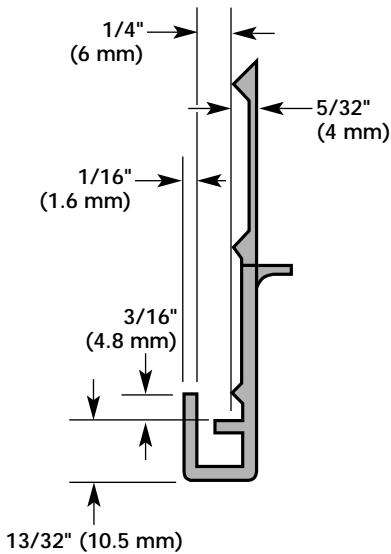
Model	36" (91 cm)	42" (106 cm)	48" (122 cm)
A	36" (91 cm)	42" (106 cm)	48" (122 cm)
B	35-1/2" (90 cm)	41-1/2" (105 cm)	47-1/2" (120 cm)
C	35" (89 cm)	41" (104 cm)	47" (119 cm)

# Wraparound metal door models

## 3. Side panels

If side panel will be installed inside side trim and the side panel is more than 1/4" (6 mm) thick, route front edge of panel to fit trim piece.

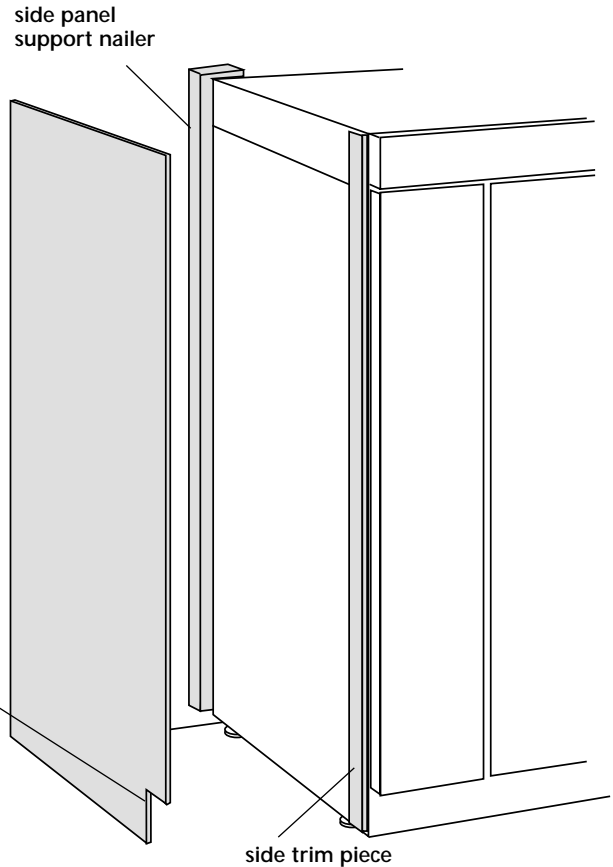
End view of side trim piece



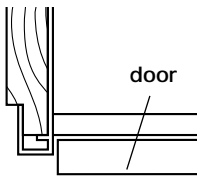
Width and height: depend on installation type.

Thickness: 1/2" (12 mm) minimum to prevent warping.

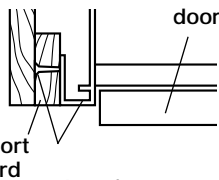
Notches for toe panel recess (if desired). Determine installation height before cutting notches.



side panel inside side trim piece

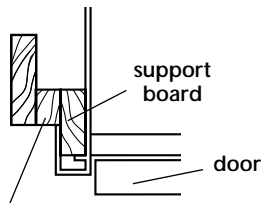


side panel outside side trim piece

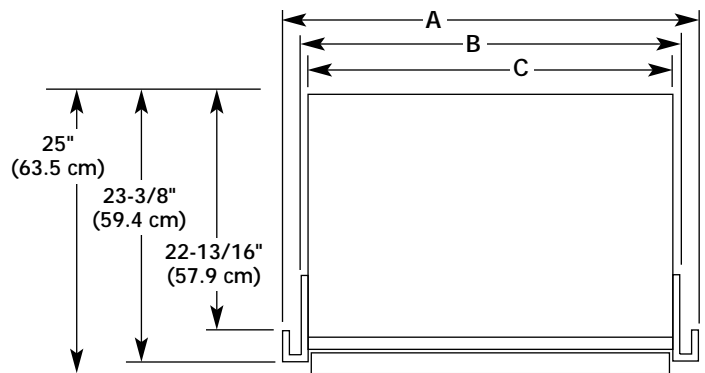


Attach support board with screw or adhesive compatible with aluminum and wood.

recessed side panel outside side trim piece



Rout front edge of support board or attach 1/4" board for retention in cabinet side trim.



Model	36" (91 cm)	42" (106 cm)	48" (122 cm)
A	36" (91 cm)	42" (106 cm)	48" (122 cm)
B	35-1/2" (90 cm)	41-1/2" (105 cm)	47-1/2" (120 cm)
C	35" (89 cm)	41" (104 cm)	47" (119 cm)

# Electrical & water supply requirements

## Electrical requirements

### **⚠ WARNING**



#### **Electrical Shock Hazard**

**Plug into a grounded 3-prong outlet.**

**Do not remove ground prong.**

**Do not use an adapter.**

**Do not use an extension cord.**

**Failure to follow these instructions can result in death, fire, or electrical shock.**

If codes permit and a separate ground wire is used, it is recommended that a qualified electrician determine that the ground path is adequate.

Do not ground to gas pipe.

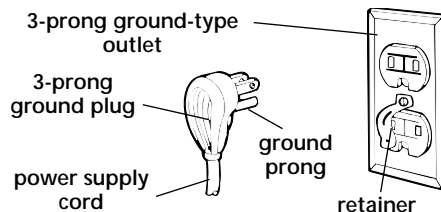
Check with a qualified electrician if you are not sure the appliance is properly grounded.

Do not have a fuse in the neutral or ground circuit.

It is the customer's responsibility:

To contact a qualified electrical installer.

To assure that the electrical installation is adequate and in conformance with the National Electrical Code, ANSI/NFPA 70 — latest edition\* or Canadian Electrical Code, C22.1-1982 and C22.2 No. 01982 (or latest edition)\*\*, and all local codes and ordinances.



A 120-volt, 60-Hz, AC-only, 15- or 20-ampere, fused, electrical supply is required. A time-delay fuse or circuit breaker is recommended. It is recommended that a separate circuit serving only this appliance be provided.

This appliance is equipped with a power supply cord having a 3-prong ground plug. To minimize possible shock hazard, the cord must be plugged into a mating 3-prong, ground-type outlet, grounded in accordance with the National Electrical Code, ANSI/NFPA 70 — latest edition\* or Canadian Electrical Code, C22.1-1982 and C22.2 No. 01982 (or latest edition)\*\*, and all local codes and ordinances.

Copies of the standard listed may be obtained from:

\* National Fire Protection Association  
One Batterymarch Park  
Quincy, Massachusetts 02269

\*\* CSA International  
8501 East Pleasant Valley Road  
Cleveland, Ohio 44131-5575

## Water supply requirements

Water line to refrigerator must provide 15-100 psi (103-690 kPa) water pressure.

Provide water line hookup located as shown on Page 3.



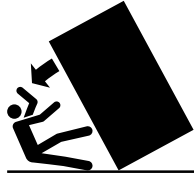
# Installation steps

## Parts supplied for installation:

- base grille
- miscellaneous parts bag

Check that all parts were included.

## ⚠ WARNING



### Tip Over Hazard

Refrigerator is top heavy and tips easily when not completely installed.

Keep doors taped closed until refrigerator is completely installed.

Use two or more people to move and install refrigerator.

Failure to do so can result in death or serious injury.

Do Not lower the refrigerator against the shipping base when removing the shipping base.

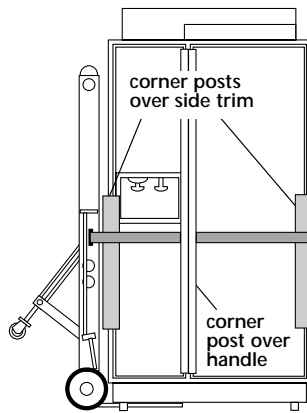
Do Not remove protective film until refrigerator is in operating position.

All four leveling legs must contact the floor to support and stabilize the full weight of the refrigerator.

Keep cardboard shipping piece or plywood under refrigerator until it is installed in operating position.

**1.** Remove and save literature package and parts bag taped to refrigerator door. Remove four brackets (two on each side) that attach shipping base to refrigerator bottom.

Do not remove tape and door bracing until refrigerator is in final position.



**2.** Place appliance dolly under the freezer side of refrigerator. Pass the dolly strap under the handles then loosely wrap dolly strap around refrigerator. Insert carton corner posts between strap and side trim. Carefully tighten strap, making sure side trim is protected.

## CRITICAL

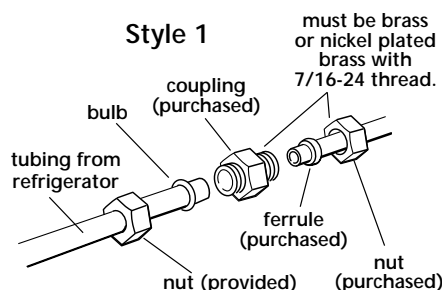
**3.** If 32" (81 cm) long min. wood board(s) will be used to prevent refrigerator from tipping during use, install now.

**4.** Place pieces of shipping carton on the floor when rolling dolly and refrigerator into the house. Move refrigerator close to built-in opening.

**5.** Before attaching refrigerator water line to water supply, flush at least 2 quarts (1.9 L) of water through the water supply and into a bucket to get rid of any particles in the water supply line. Turn water valve off.

Check for leaks in water supply.

**6.** Make connection to refrigerator. Untape tubing from back of refrigerator. Use Style 1 or Style 2, depending on your installation.



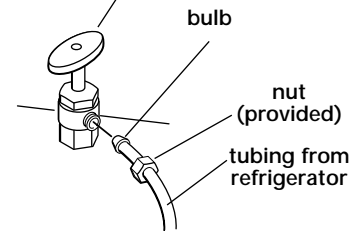
Slide the purchased nut then the purchased ferrule onto the tubing.

Push the tubing into the coupling as far as it will go. Slide the nut and ferrule forward and finger tighten the nut. Turn nut two (2) more turns with wrench.

Insert the bulb end of tubing into purchased coupling, slide nut down and finger tighten. Turn nut two (2) more turns with wrench.

### Style 2

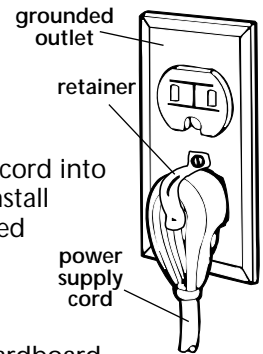
valve must be brass or nickel plated brass with 7/16-24 thread.



Push the bulb end of the tubing into the water valve as far as it will go. Slide the nut forward and finger tighten. Tighten nut two (2) more turns with wrench.

**7.** Set power switch at top of cabinet to "OFF" position.

Plug power supply cord into grounded outlet. Install retainer on grounded outlet using screw from parts bag.

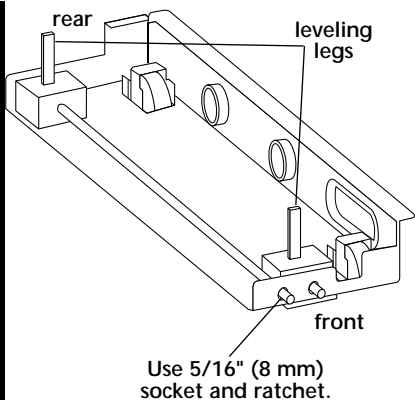


**8.** Place top of cardboard carton or plywood under refrigerator. Remove dolly. Open appliance doors and remove all boxes, parts packages and packing materials from refrigerator and freezer compartments. Do Not remove protective film.

To prevent floor damage make sure levelers are raised (not touching the floor) and refrigerator is on rollers before moving.

Move the refrigerator straight back and evenly into the opening. Check that:

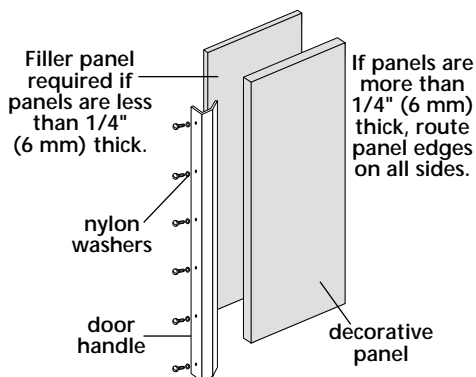
- water hookup tubing is not kinked.
- power supply cord is on top of refrigerator next to cover.



**9.** Use socket wrench to turn leg levelers on both sides of refrigerator to the right (clockwise) until refrigerator weight is supported by leveling legs. The rollers should be off the floor.

To avoid cabinet damage, do not apply more than 50 in/lb (58 cm/kg) of torque to the leveling legs.

**Note:** All four leveling legs must contact the floor to support and stabilize the full weight of refrigerator. Rollers are for moving refrigerator and not for permanent support.



**10.** Wraparound metal door models: go to step 12.

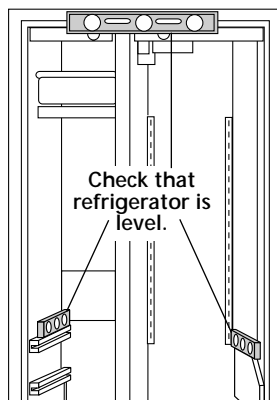
Panel models: Remove all tape and door bracing from refrigerator and freezer doors. Remove screws attaching handles to door frames. Slide decorative door panels into door frames.

If panels are less than 1/4" (6 mm) thick, install a filler panel between door and decorative panel.

If panels are more than 1/4" (6 mm) thick, route panel edges on all sides.

**11.**

Open doors. Place a level against underside of door trim, on refrigerator crisper guide and on freezer basket



guide as shown. Adjust leveling legs until refrigerator is level. Check that all four leveling legs contact floor and support the full weight of the refrigerator. Door panels must be installed before leveling.

**12.**

Check that both refrigerator and freezer doors are aligned and level.

If doors need to be adjusted left or right or in or out, loosen the 3/8" hex head screws in top hinges.

If doors need to be adjusted up or down, remove door stop screw from bottom door hinge. Remove locking plate. Use 1/2" open-end wrench or channel-lock pliers to turn bushing to the left (counterclockwise) to move door up, to the right (clockwise) to move door down. Check that doors are level. Replace locking plate and door stop screw.

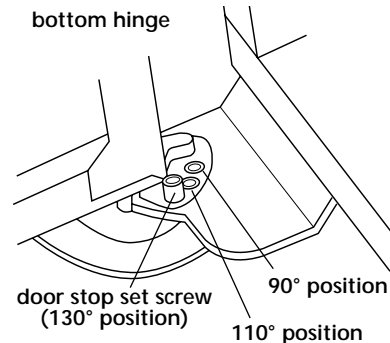
You may need to turn bushing slightly to align locking plate so that door stop screw can be inserted.

**13.**

Replace door handles. Check that the top of both door handles are aligned.

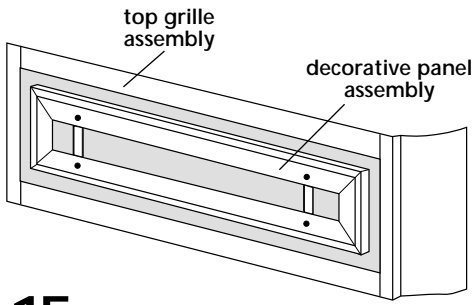
If door handles are not aligned, loosen all handle screws and adjust door handles up or down. Tighten screws.

If any of the white door screws are damaged, replace them with additional screws provided in the parts package.



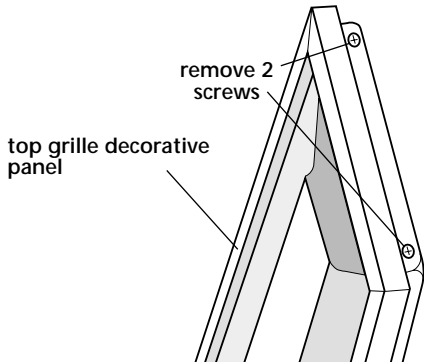
**14.**

Check that doors can open freely. If doors open too wide, remove door stop screw from bottom door hinge. Hold door open to a position that is less than 90°. Replace door stop screw in the 110° door stop position in bottom hinge and tighten screw. If door does not clear countertop after door has been adjusted, countertops may need to be mitered.

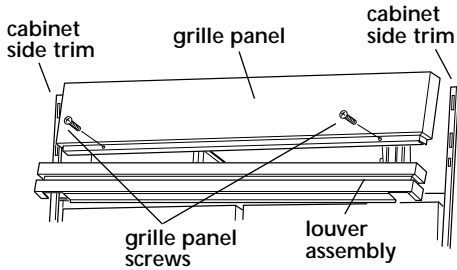


**15.** Wraparound metal door models: go to step 17.

Panel models: Slide decorative panel assembly up to remove from top grille assembly.

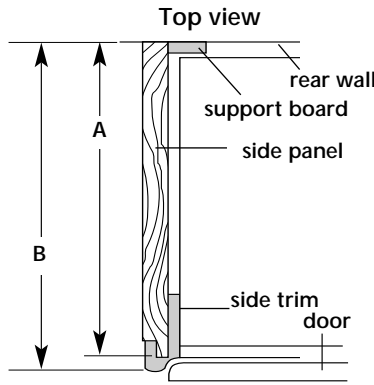


**16.** Panel models: Remove screws and side trim from one side of the decorative panel. Insert your panel. Reattach side trim and screws.



**17.** Panel models: Slide decorative panel down to reattach to top grille.

**18.** If side panels are not used, go to Step 19. If built-in area depth is 25" (63.5 cm) or more, side panels can be installed inside the side trim or attached to the outside of the side trim.



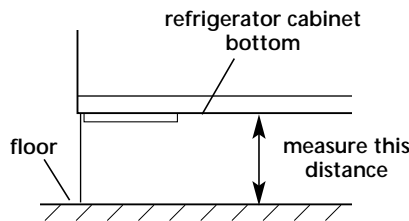
	Panel models (shown)	Wraparound metal door models
A	24" (61 cm)	23" (58.4 cm)
B	24-5/8" (62.5 cm max.)	23-3/8" (59.4 cm)

• **Inside side trim piece:** Slide front edge of routed side panel into trim piece. Nail rear edge of panel to support board.

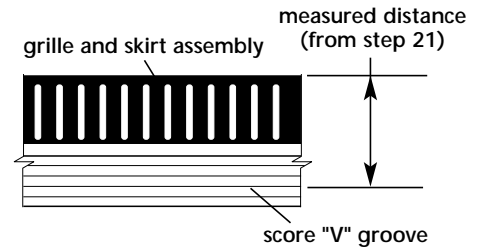
**NOTE:** KitchenAid is not responsible for the removal or addition of molding or decorative panels that would prevent the refrigerator from being serviced.

**19.** Open refrigerator doors and remove protective film from door frame. Recheck water connections at bottom of refrigerator for leaks. Install shelves and bins in refrigerator and freezer compartments.

**20.** Remove the grille and skirt package taped to front of refrigerator. Remove grille and skirt and 2 screws from package.

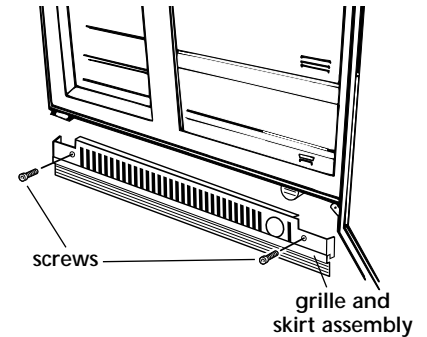


**21.** Open refrigerator door and measure the distance from the bottom of refrigerator cabinet to the floor.



**22.** Measure this same distance from the top of the bottom grille to the closest "V" groove on the grille skirt.

Use a knife to score down the "V" groove and break skirt at the score line.



**23.** Attach the bottom grille and skirt assembly to the cabinet with the 2 screws.

**24.** Set refrigerator and freezer compartment controls to the midpoint between "COLD" and "COLDEST." Check that the compressor is operating properly and that all five lights are working.

**To get the most efficient use from your new built-in refrigerator, read your KitchenAid Use and Care Guide. Keep Installation Instructions and Guide close to built-in refrigerator for easy reference.**

Note: If construction will continue after refrigerator is installed, rotate control in freezer compartment counterclockwise to the "OFF" position.

Part No. 2209478  
© 2000 KitchenAid.  
® Registered Trademark/Trademark of  
KitchenAid U.S.A., KitchenAid  
Canada licensee in Canada

**KitchenAid**<sup>®</sup>  
HOME APPLIANCES

Prepared by KitchenAid, Benton Harbor, Michigan 49022  
Download from [Www.Somanuals.com](http://www.Somanuals.com). All Manuals Search And Download.

Printed in U.S.A.

# MOD...LES À PANNEAUX ET À PORTES MÉTALLIQUES ENVELOPPANTES

91,4 CM (36 PO), 106,7 CM (42 PO), 121,9 CM (48 PO)

RÉFRIGÉRATEURS ENCASTRÉS AVEC FILTRATION D'EAU

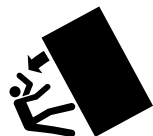
**INSTRUCTIONS  
D'INSTALLATION**

**IMPORTANT :**

LIRE ET  
CONSERVER CES  
INSTRUCTIONS.

L'INSTALLATION  
NÉCESSITE  
L'INTERVENTION  
DE 2 PERSONNES  
OU PLUS.

## **⚠ AVERTISSEMENT**



### **Risque de basculement**

**Le réfrigérateur est lourd au  
sommet et bascule  
facilement lorsqu'il n'est pas  
complètement installé.**

**Garder les portes fermées  
avec un ruban adhésif  
jusqu'à l'installation  
complète du réfrigérateur.**

**Deux personnes ou plus  
doivent déplacer et installer  
le réfrigérateur.**

**Le non-respect de ces  
instructions peut causer un  
décès ou une blessure grave.**



**KitchenAid®**  
BIEN PENSÉ, BIEN FABRIQUÉ®

### Important :

- **Installateur** : Remettre les instructions d'installation au propriétaire.
- **Propriétaire** : Conserver les instructions d'installation pour référence ultérieure.
- **Conserver** ces instructions d'installation pour consultation par l'inspecteur local des installations électriques.

# Avant de commencer...

### Votre sécurité et celle des autres est très importante.

Nous donnons de nombreux messages de sécurité importants dans ce manuel, et sur votre appareil ménager. Assurez-vous de toujours lire tous les messages de sécurité et de vous y conformer.



Voici le symbole d'alerte de sécurité.

Ce symbole d'alerte de sécurité vous signale les dangers potentiels de décès et de blessures graves à vous et à d'autres.

Tous les messages de sécurité suivront le symbole d'alerte de sécurité et le mot «DANGER» ou «AVERTISSEMENT». Ces mots signifient :

## ! DANGER

Risque possible de décès ou de blessure grave si vous ne suivez pas immédiatement les instructions.

## ! AVERTISSEMENT

Risque possible de décès ou de blessure grave si vous ne suivez pas les instructions.

Tous les messages de sécurité vous diront quel est le danger potentiel et vous disent comment réduire le risque de blessure et ce qui peut se produire en cas de non-respect des instructions.

Conserver la plaque en carton ou en contreplaqué de l'emballage sous le réfrigérateur jusqu'à ce qu'il soit installé à sa position de service.

Remarque : En cas d'utilisation d'un système de filtration d'eau par osmose inverse, il est recommandé d'enlever le filtre à eau du réfrigérateur et de réinstaller le bouchon dans la grille de plinthe. (Voir le Guide d'utilisation et d'entretien.)

### Important :

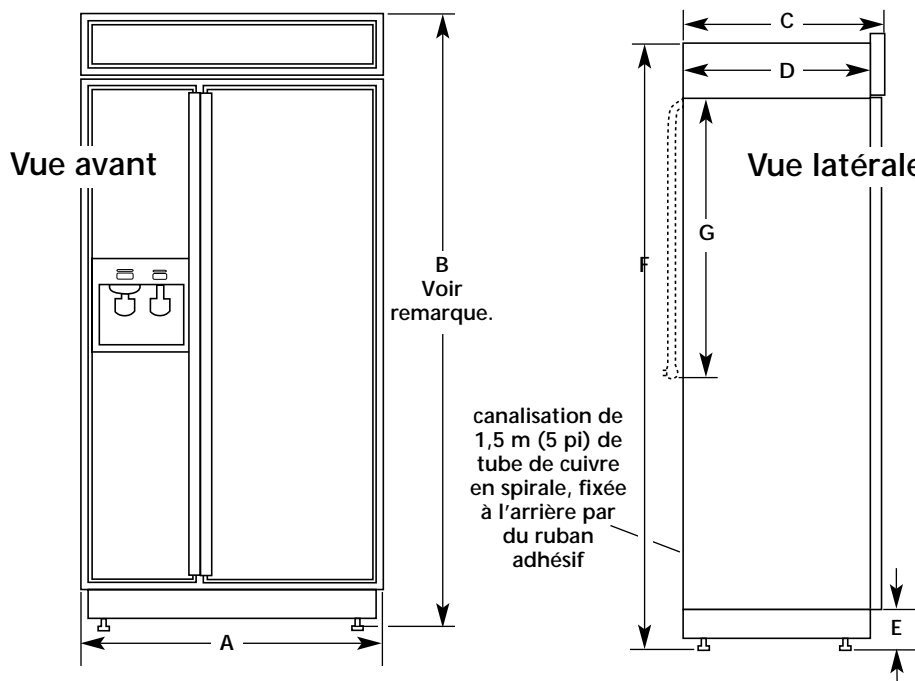
Respecter les dispositions de tous les codes et règlements en vigueur.

C'est à l'installateur qu'incombe la responsabilité de :

- Respecter les spécifications et dimensions d'installation.
- Installer le réfrigérateur convenablement.
- Enlever toutes moulures ou panneaux décoratifs qui préviennent l'entretien du réfrigérateur.
- Vérifier que tout le matériel nécessaire à une installation convenable est disponible :

Tube en cuivre de 6 mm  
(1/4 po) avec robinet d'arrêt

### Dimensions du produit

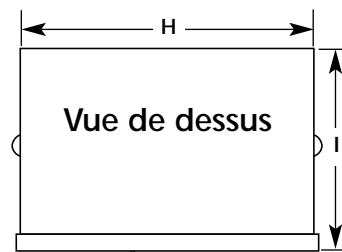


#### Modèles à panneaux seulement :

La dimension "B" peut être augmentée ou diminuée de 1,3 cm (1/2 po) en employant la trousse du panneau décoratif disponible chez votre marchand.

**Pour augmenter** : employer la trousse de panneau (84 po) n° 4378788 (garniture argent) ou 4378789 (garniture blanche).

**Pour diminuer** : employer la trousse de panneau (83 po) n° 4378786 (garniture argent) ou 4378787 (garniture blanche).



#### Modèles à panneaux et à portes métalliques enveloppantes

Avec et sans distributeur

	91 cm (36 po)	106 cm (42 po)	122 cm (48 po)
A	91 cm (36 po)	106 cm (42 po)	122 cm (48 po)
B <small>Modèle à panneaux</small>	212 cm (83 5/8 po)*	212 cm (83 5/8 po)*	212 cm (83 5/8 po)*
B <small>Modèle à portes métalliques enveloppantes</small>	211 cm (83-1/8 po)	211 cm (83-1/8 po)	211 cm (83-1/8 po)
C	64 cm (25 1/8 po)	64 cm (25 1/8 po)	64 cm (25 1/8 po)
D	60 cm (23 1/2 po)	60 cm (23 1/2 po)	60 cm (23 1/2 po)
E	9 cm (3 1/2 po)*	9 cm (3 1/2 po)*	9 cm (3 1/2 po)*
F	211 cm (83 1/8 po)*	211 cm (83 1/8 po)*	211 cm (83 1/8 po)*
G	61 cm (24 po)	61 cm (24 po)	61 cm (24 po)
H	89 cm (35 po)	104 cm (41 po)	119 cm (47 po)
I	63,5 cm (25 po)	63,5 cm (25 po)	63,5 cm (25 po)

\* Les dimensions indiquées correspondent à la situation où les pieds de réglage de l'aplomb dépassent de 3 mm (1/8 po) au-dessous des roulettes. Lorsque les pieds sont totalement déployés de 32 mm (1 1/4 po) au-dessous des roulettes, ajouter 29 mm (1 1/8 po) à cette dimension.

# Spécifications et dimensions de la cavité d'encastrement

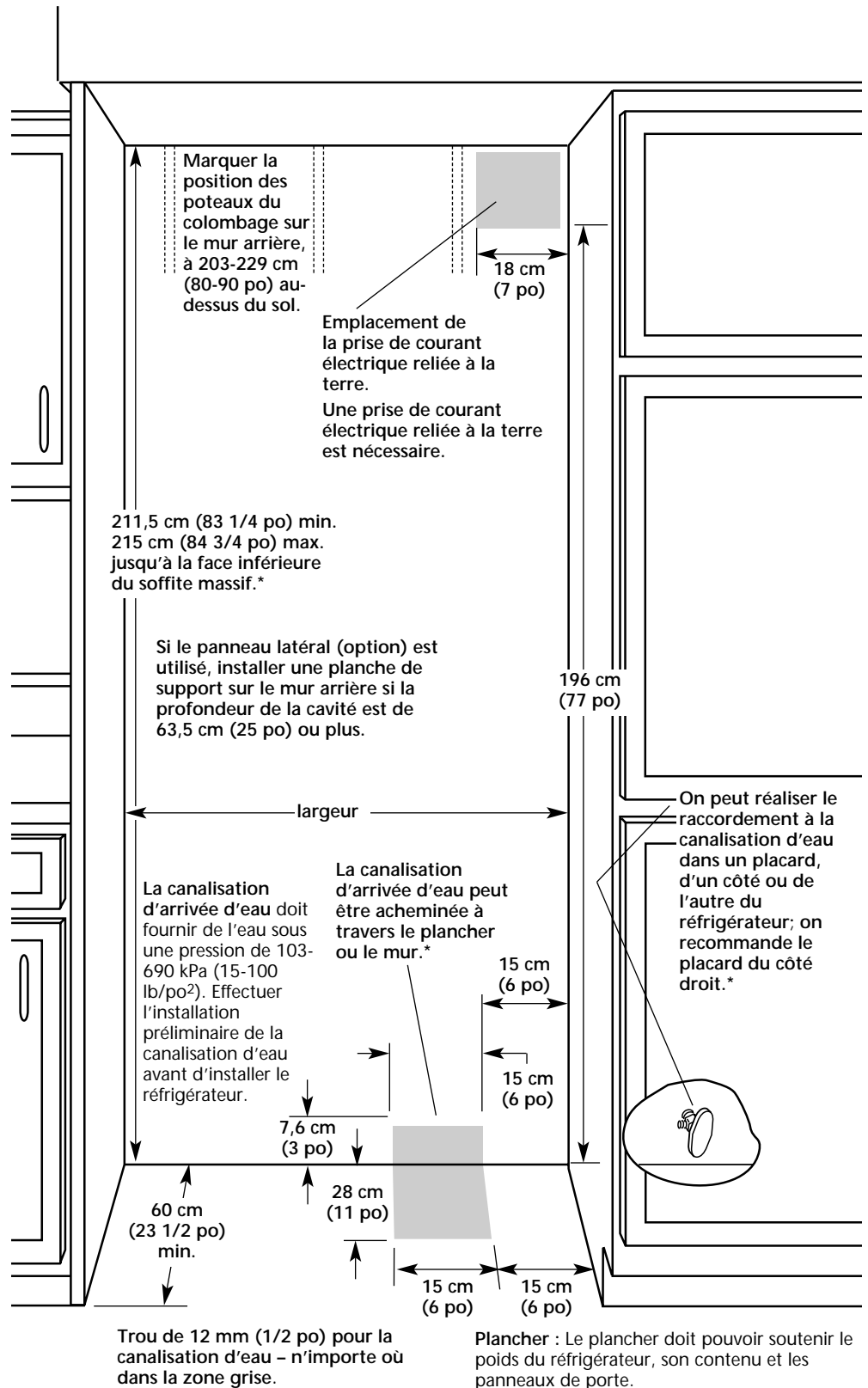
Tolérance de  $\pm 3$  mm (1/8 po) pour toutes les dimensions

\* Si un soffite massif n'est pas disponible, voir « Protection contre le basculement » à la page 4. On doit utiliser une des trois méthodes présentées ici.

Le réfrigérateur encastré peut être installé :

- dans une cavité d'encastrement entre des placards.
- à l'extrémité de la rangée de placards – utilisation d'un panneau latéral pour recouvrir le côté du réfrigérateur.

Sélectionner l'une des méthodes et utiliser les dimensions indiquées. Les dimensions indiquées correspondent à un dégagement de séparation nul 0 cm (0 po).

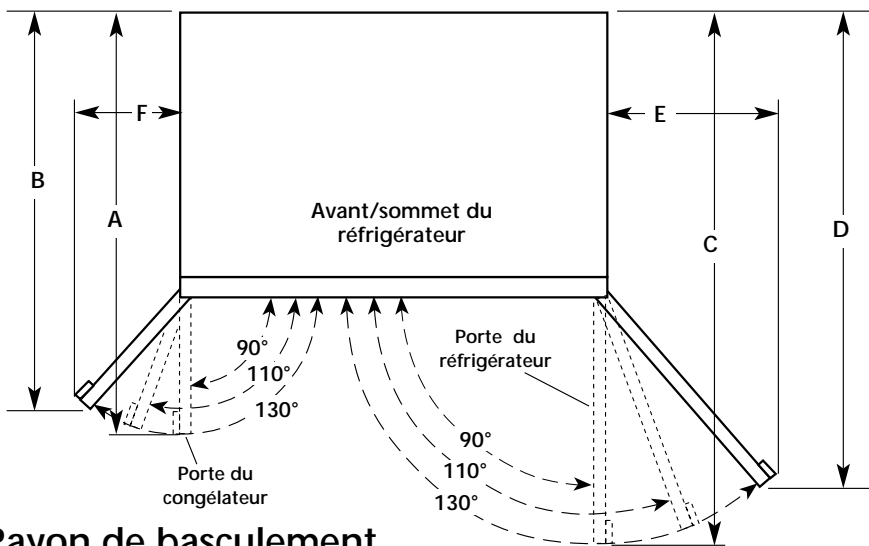


\*Si on place l'arrivée d'eau dans la zone recommandée, aucun autre article de plomberie ne sera nécessaire.

## Dimensions de la cavité

Modèle	91 cm (36 po)	106 cm (42 po)	122 cm (48 po)
Largeur min.	90 cm (35 1/2 po)	105 cm (41 1/2 po)	120 cm (47 1/2 po)

## Dimensions pour le pivotement des portes



	91 cm (36 po)	106 cm (42 po)	122 cm (48 po)
A	98 cm (38-1/2 po)	104 cm (41 po)	110 cm (43 1/2 po)
B	92 cm (36-1/16 po)	97 cm (38 po)	102 cm (40 po)
C	110 cm (43-1/2 po)	119 cm (47 po)	128 cm (50 1/2 po)
D	102 cm (40 po)	108 cm (42 9/16 po)	115 cm (45 1/4 po)
E	50 cm (19-3/4 po)	59 cm (23-1/4 po)	68 cm (26-3/4 po)
F	37 cm (14-1/2 po)	44 cm (17-1/4 po)	50 cm (19-3/4 po)

L'emplacement d'installation doit permettre l'ouverture des portes à un angle de 110° au moins. Laisser un espace libre d'au moins 11,4 cm (4 1/2 po) entre le côté du réfrigérateur et le mur formant l'angle.

## Rayon de basculement

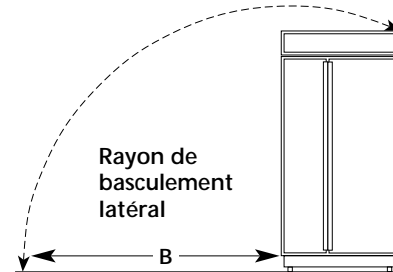
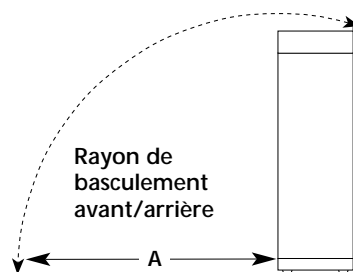
Remarque : Si le réfrigérateur est installé sur un chariot à roulettes, on doit ajouter la hauteur du chariot au rayon de basculement.

Taille	A	B
91 cm (36 po)	222 cm (87 1/4 po)	230 cm (90 1/2 po)
106 cm (42 po)	222 cm (87 1/4 po)	236 cm (93 po)
122 cm (48 po)	222 cm (87 1/4 po)	244 cm (96 po)

Si un espace libre additionnel est nécessaire en hauteur pour l'inclinaison du réfrigérateur, suivre les instructions correspondant au modèle particulier.

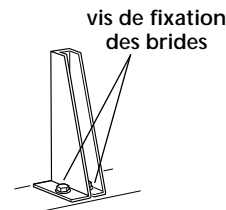
### Modèles à portes métalliques enveloppantes :

- Saisir les deux extrémités du panneau à claire-voies. Pousser vers le haut puis tirer pour enlever.
- Ôter les deux vis fixant le panneau de grille; faire glisser le panneau de grille vers le bas pour l'enlever.
- Ôter les six vis fixant chaque garniture latérale de la caisse sur le réfrigérateur; enlever les garnitures latérales.
- Réassembler après avoir retiré le chariot de dessous le réfrigérateur.



### Modèles à panneaux :

- Saisir les deux extrémités du panneau. Pousser vers le haut puis tirer pour enlever.
- Ôter les quatre vis fixant le cadre aux brides, puis enlever.
- Ôter les deux vis fixant chaque bride sur le réfrigérateur; enlever les brides.
- Réassembler après avoir retiré le chariot de dessous le réfrigérateur.



## Protection contre le basculement

Si un soffite massif de 2,5 cm (1 po) max. n'est pas disponible au-dessus du réfrigérateur, procéder comme suit pour empêcher tout basculement du réfrigérateur en cours de service.

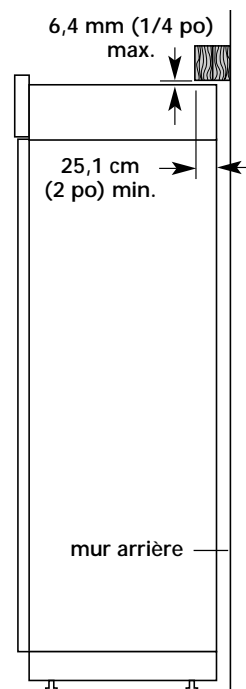
Fixer solidement une planche de bois d'au moins 81 cm (32 po) sur les poteaux du colombage mural derrière le réfrigérateur. Les vis de fixation doivent pénétrer dans les poteaux d'au moins 3,8 cm (1 1/2 po). La planche doit être placée en chevauchement sur le couvercle du compresseur (voir l'illustration).

Il faut que la planche soit suffisamment longue pour qu'elle recouvre complètement le couvercle du compresseur sur toute la largeur.

On recommande la mise en place de cette planche avant l'installation du réfrigérateur.

Positionner la planche de telle manière que la surface inférieure soit à 213 cm (84 po) du sol. Durant l'installation, soulever le réfrigérateur pour que la distance résiduelle entre le sommet du réfrigérateur et la surface inférieure de la planche antibasculement soit de 6,4 mm (1/4 po).

Veiller à NE PAS écraser le couvercle du condenseur lors du soulèvement des pieds arrière.





# Pièces à commander séparément ou à faire fabriquer sur mesure

## 1. Ensembles de panneaux

Quatre ensembles contenant le panneau supérieur et les panneaux de porte d'acier inoxydable ou d'acrylique coloré sont disponibles auprès de votre concessionnaire KitchenAid ou bien contacter KitchenAid - Pièces et accessoires au 1-800-442-9991. Utiliser les instructions fournies pour l'installation des panneaux.

Les ensembles de panneaux ne sont pas nécessaires pour les modèles avec panneaux d'acier inoxydable installés à l'usine ou pour les modèles à portes métalliques enveloppantes.

## Panneaux - Numéros des ensembles

Modèle	Sans distributeur			Avec distributeur		
	91 cm (36 po)	106 cm (42 po)	122 cm (48 po)	91 cm (36 po)	106 cm (42 po)	122 cm (48 po)
Blanc	4318635	4318636	4318637	4378650	4378651	4378652
Noir	4318632	4318633	4318634	4378653	4378654	4378655
Biscuit	4392879	4392880	4392881	4392886	4392887	4392888
Acier inoxydable	4318641	4318642	4318643	4378659	4378660	4378661

## 2. Ensembles de poignées de porte prolongées

Deux ensembles comportant une poignée de porte pour congélateur et une poignée de porte pour réfrigérateur sont disponibles auprès de votre concessionnaire KitchenAid ou bien contacter KitchenAid - Pièces et accessoires au 1-800-442-9991. Utiliser ces poignées de porte prolongées lorsqu'un espace plus grand pour le passage des doigts est nécessaire entre la poignée de porte et le panneau personnalisé. Suivre les instructions fournies avec l'ensemble pour l'installation des poignées de porte.

Couleur	Numéro de kit
Aluminium mat	4387989
Blanc	4387990

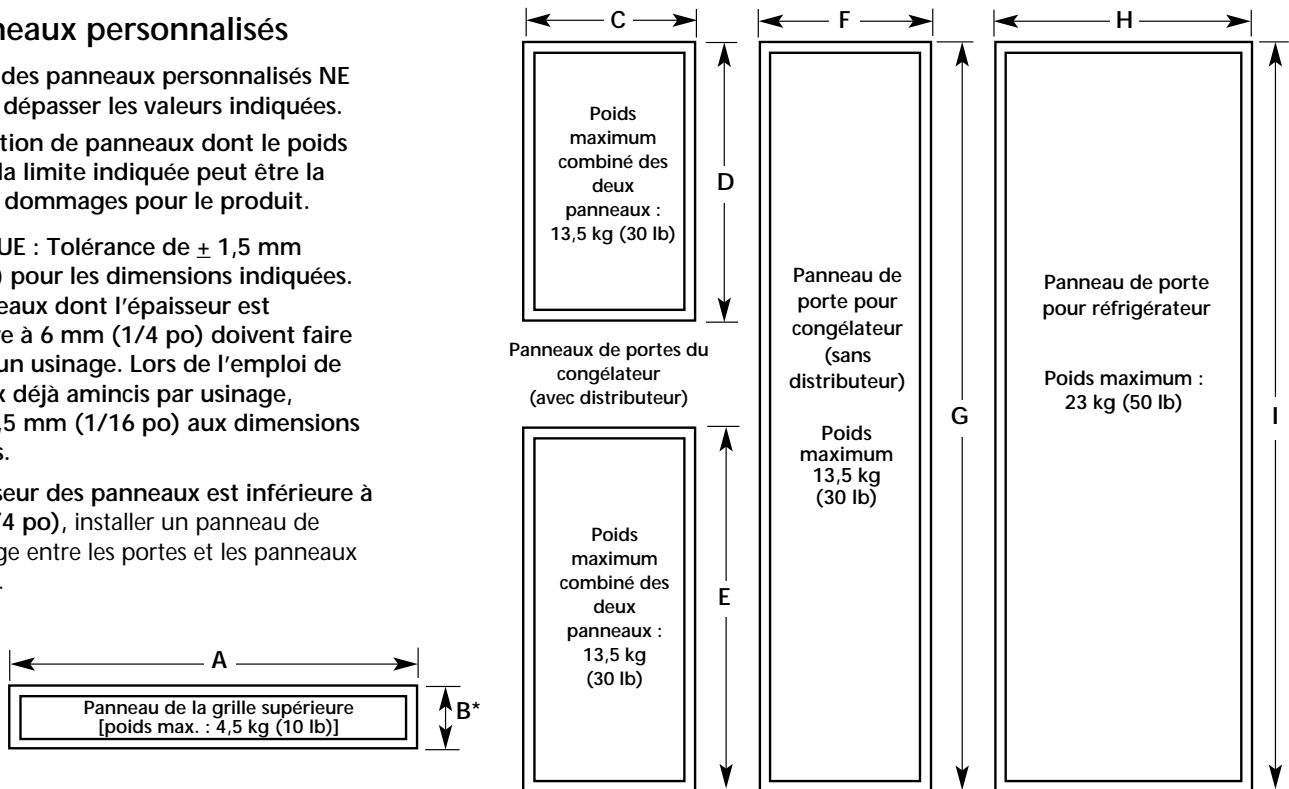
## 3. Panneaux personnalisés

Le poids des panneaux personnalisés NE doit PAS dépasser les valeurs indiquées.

L'installation de panneaux dont le poids dépasse la limite indiquée peut être la cause de dommages pour le produit.

REMARQUE : Tolérance de  $\pm 1,5$  mm (1/16 po) pour les dimensions indiquées. Les panneaux dont l'épaisseur est supérieure à 6 mm (1/4 po) doivent faire l'objet d'un usinage. Lors de l'emploi de panneaux déjà amincis par usinage, ajouter 1,5 mm (1/16 po) aux dimensions indiquées.

Si l'épaisseur des panneaux est inférieure à 6 mm (1/4 po), installer un panneau de remplissage entre les portes et les panneaux décoratifs.



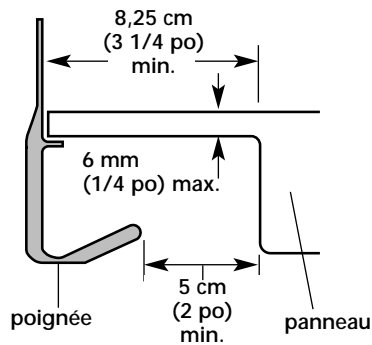
Taille	A	B*	C	D	E	F	G	H	I
91 cm (36 po)	82 cm (32 3/8 po)	15 cm (6 po)	36 cm (14 1/4 po)	60 cm (23 7/16 po)	87 cm (34 7/16 po)	36 cm (14 1/4 po)	179 cm (70 7/16 po)	49 cm (19 1/4 po)	179 cm (70 7/16 po)
106 cm (42 po)	97 cm (38 3/8 po)	15 cm (6 po)	43 cm (16 3/4 po)	60 cm (23 7/16 po)	87 cm (34 7/16 po)	43 cm (16 3/4 po)	179 cm (70 7/16 po)	58 cm (22 3/4 po)	179 cm (70 7/16 po)
122 cm (48 po)	113 cm (44 3/8 po)	15 cm (6 po)	49 cm (19 1/4 po)	60 cm (23 7/16 po)	87 cm (34 7/16 po)	49 cm (19 1/4 po)	179 cm (70 7/16 po)	67 cm (26 1/4 po)	179 cm (70 7/16 po)

\* La dimension "B" peut augmenter ou diminuer de 1,3 cm (1/2 po) si les trusses de panneaux décoratifs indiquées à la page 2 sont utilisées.

# Modèles à panneaux

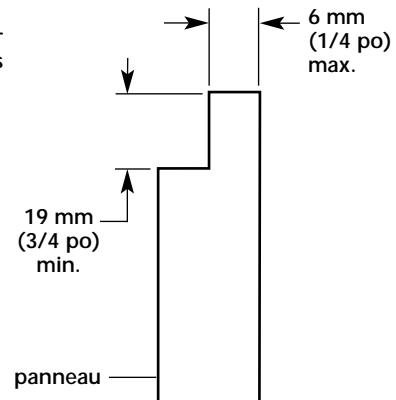
Vue de l'extrémité - côté poignée du panneau

Panneaux personnalisés d'épaisseur supérieure à 1/4 po (6 mm) : Usiner sur toute la longueur ou sur une zone sélectionnée du côté «poignée» du panneau, sur une largeur de 8,25 cm (3 1/4 po).



Vue latérale

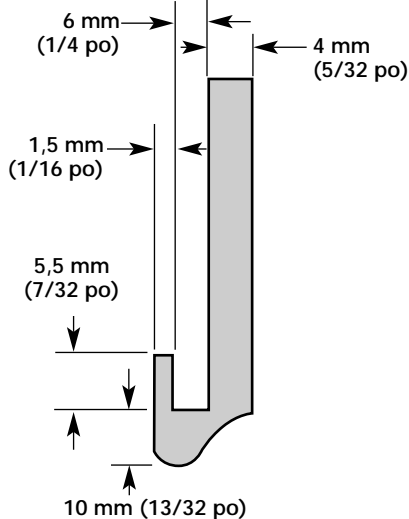
Dimensions pour usinage des rives des panneaux



## 3. Panneaux latéraux

Si le panneau latéral d'épaisseur supérieure à 6 mm (1/4 po) doit être installé et inséré dans la garniture latérale, usiner la rive avant du panneau pour que l'insertion soit possible.

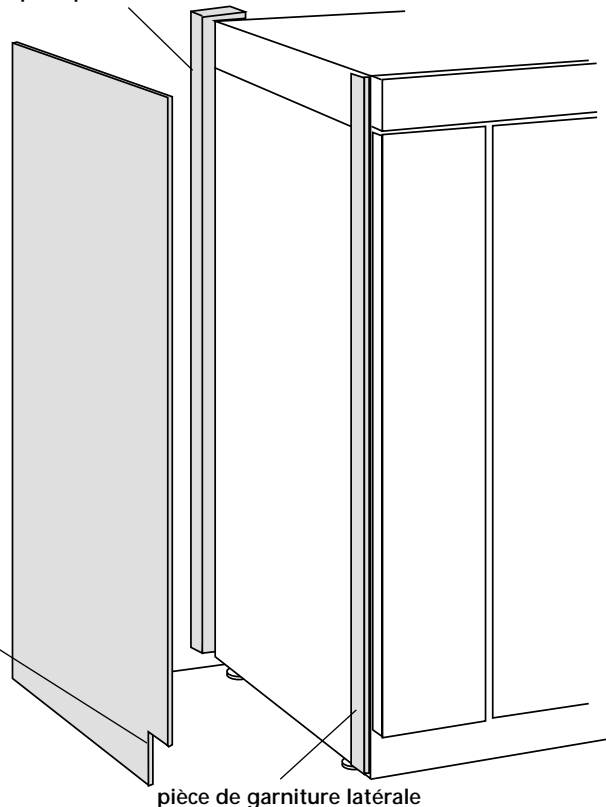
Vue de l'extrémité de la pièce de garniture latérale



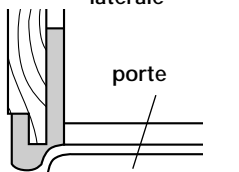
Largeur et hauteur : selon le type d'installation.

Épaisseur : 12 mm (1/2 po) minimum pour empêcher le gauchissement.

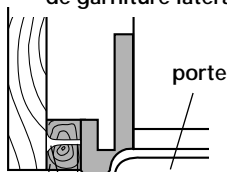
Planche de clouage pour panneau



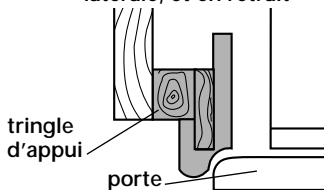
Panneau latéral inséré dans la garniture latérale



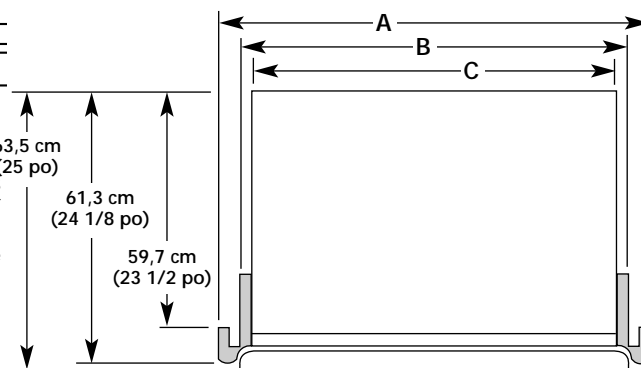
Panneau latéral en applique, hors de la pièce de garniture latérale



Panneau latéral placé hors de la garniture latérale, et en retrait



Fixer la tringle d'appui avec des vis ou un adhésif compatible avec l'aluminium et le bois.



Modèle	91 cm (36 po)	106 cm (42 po)	122 cm (48 po)
A	91 cm (36 po)	106 cm (42 po)	122 cm (48 po)
B	90 cm (35 1/2 po)	105 cm (41 1/2 po)	120 cm (47 1/2 po)
C	89 cm (35 po)	104 cm (41 po)	119 cm (47 po)

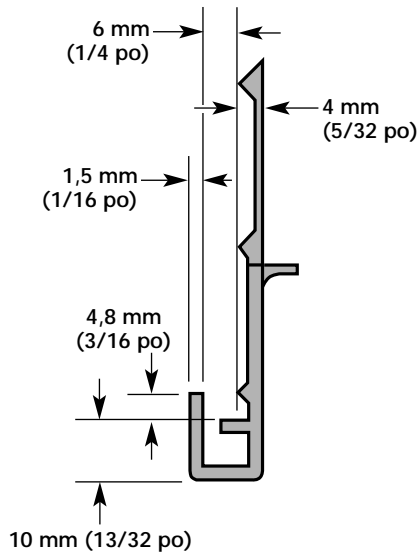
Usiner la rive avant de la tringle d'appui ou installer une autre planchette de 6 mm (1/4 po) pour la rétention dans la pièce de garniture latérale.

# Modèles à portes métalliques enveloppantes

## 3. Panneaux latéraux

Si le panneau latéral d'épaisseur supérieure à 6 mm (1/4 po) doit être installé et inséré dans la garniture latérale, usiner la rive avant du panneau pour que l'insertion soit possible.

Vue de l'extrémité de la pièce de garniture latérale

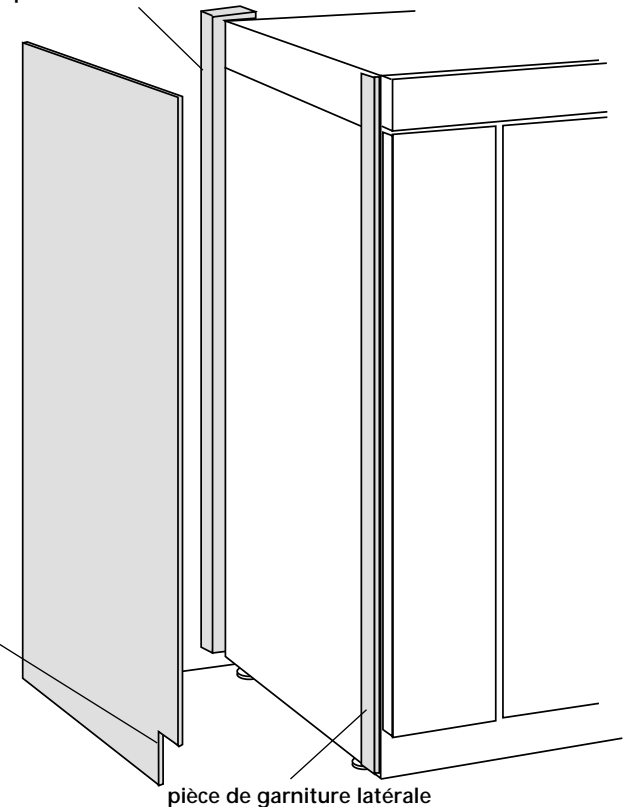


Largeur et hauteur : selon le type d'installation.

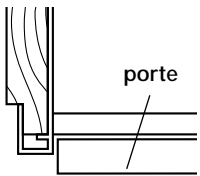
Épaisseur : 12 mm (1/2 po) minimum pour empêcher le gauchissement.

Encoches pour la plinthe en retrait (si désiré). Déterminer la hauteur d'installation avant de découper les encoches.

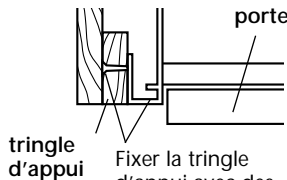
Planche de clouage pour panneau latéral



Panneau latéral inséré dans la garniture latérale

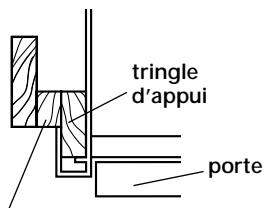


Panneau latéral en applique, hors de la pièce de garniture latérale

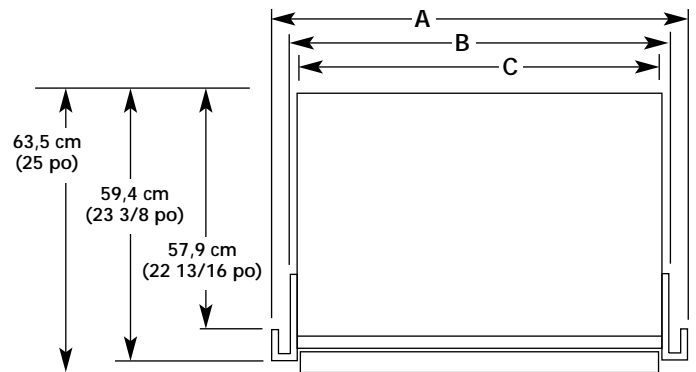


Fixer la tringle d'appui avec des vis ou un adhésif compatible avec l'aluminium et le bois.

Panneau latéral hors de la garniture latérale, et en retrait



Usiner la rive avant de la tringle d'appui ou installer une autre planchette de 6 mm (1/4 po) pour la rétention dans la pièce de garniture latérale.



Modèle	91 cm (36 po)	106 cm (42 po)	122 cm (48 po)
A	91 cm (36 po)	106 cm (42 po)	122 cm (48 po)
B	90 cm (35 1/2 po)	105 cm (41 1/2 po)	120 cm (47 1/2 po)
C	89 cm (35 po)	104 cm (41 po)	119 cm (47 po)

# Spécifications de l'alimentation électrique et en eau

## Spécifications de l'alimentation électrique

### ⚠ AVERTISSEMENT



**Risque de choc électrique**  
**Brancher l'appareil sur une prise à 3 alvéoles, reliée à la terre.**  
**Ne pas enlever la broche de liaison à la terre.**  
**Ne pas utiliser un adaptateur.**  
**Ne pas utiliser un câble de rallonge.**  
**Le non-respect de ces instructions peut causer un décès, un incendie ou un choc électrique.**

Si on utilise un conducteur distinct de liaison à la terre lorsque le code local le permet, il est recommandé qu'un électricien qualifié détermine que le conducteur de liaison à la terre est adéquat.

Ne pas utiliser une canalisation de gaz pour la liaison à la terre.

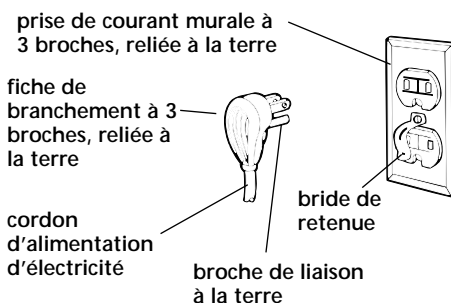
En cas d'incertitude quant à la qualité de la liaison à la terre de l'appareil, consulter un électricien qualifié.

Ne pas installer un fusible en série avec le conducteur neutre ou le conducteur de liaison à la terre.

C'est à l'utilisateur du produit qu'incombe la responsabilité de :

Contacter un électricien qualifié pour l'installation.

S'assurer que l'installation électrique est adéquate et conforme aux dispositions du Code National de l'électricité, ANSI/NFPA 70 — dernière édition\* ou du Code canadien de l'électricité C22.1-1982 et C22.2 n° 01982 (ou dernière édition)\*\*, et de tous les codes et règlements locaux en vigueur.



L'appareil doit être alimenté par un circuit 120 V CA, 60 Hz, 15 ou 20 A, protégé par un fusible. On recommande l'emploi d'un fusible temporisé ou d'un disjoncteur. On recommande que l'appareil soit alimenté par un circuit distinct n'alimentant que cet appareil.

Cet appareil est équipé d'un cordon d'alimentation doté d'une fiche de branchement à 3 broches, pour liaison à la terre. Pour minimiser le risque de choc électrique, il faut que la fiche soit branchée sur une prise de courant à 3 alvéoles, de configuration correspondante, reliée à la terre conformément aux prescriptions du Code National de l'électricité, ANSI/NFPA 70 — dernière édition\* ou du Code canadien de l'électricité C22.1-1982 et C22.2 n° 01982 (ou dernière édition)\*\*, et de tous les codes et règlements locaux en vigueur.

On peut obtenir un exemplaire des normes mentionnées aux adresses suivantes :

\* National Fire Protection Association  
Batterymarch Park  
Quincy, Massachusetts, 02269\*

\*\* CSA International  
8501 East Pleasant Valley Road  
Cleveland, Ohio 44131-5575

## Spécifications de l'alimentation en eau

La canalisation d'eau doit alimenter le réfrigérateur sous une pression de 103-690 kPa (15-100 lb/po<sup>2</sup>). Réaliser le raccordement selon les instructions présentées à la page 3.

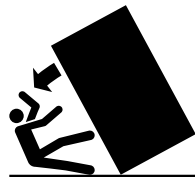
# Étapes de l'installation

## Pièces fournies pour l'installation :

- grille de la base
- Sachet de pièces

Vérifier que toutes les pièces sont présentes.

## ⚠ AVERTISSEMENT



### Risque de basculement

**Le réfrigérateur est lourd au sommet et bascule facilement lorsqu'il n'est pas complètement installé.**

**Garder les portes fermées avec un ruban adhésif jusqu'à l'installation complète du réfrigérateur.**

**Deux personnes ou plus doivent déplacer et installer le réfrigérateur.**

**Le non-respect de ces instructions peut causer un décès ou une blessure grave.**

**Ne pas abaisser le réfrigérateur sur la base utilisée pour l'expédition, lors de l'extraction de la base.**

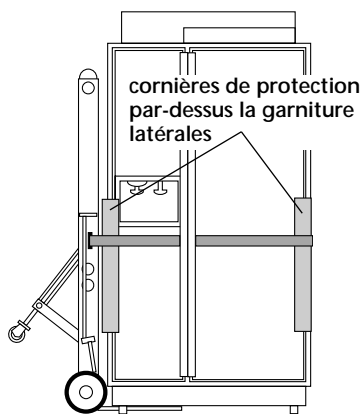
**Ne pas ôter le film protecteur avant que le réfrigérateur soit à la position de service.**

**Les quatre pieds de réglage de l'aplomb doivent être en contact avec le sol et soutenir la totalité du poids du réfrigérateur pour le stabiliser.**

**Conserver la pièce de carton ou de contreplaqué d'expédition sous le réfrigérateur jusqu'à ce qu'il soit installé à la position de service.**

**1.** Enlever et conserver le sachet de documents et le sachet de pièces fixés par du ruban adhésif sur la porte du réfrigérateur. Enlever les quatre brides (deux de chaque côté) fixant la base utilisée pour expédition sous le réfrigérateur.

**Ne pas enlever les rubans adhésifs et articles d'arrimage des portes avant que le réfrigérateur soit placé à sa position finale.**



**2.** Introduire le chariot de manutention sous le réfrigérateur, côté congélateur. Faire passer la sangle sous la poignée et entourer le réfrigérateur avec la sangle du chariot, sans serrer. Insérer les cornières de protection en carton entre la sangle et les garnitures latérales et poignées. Serrer prudemment la sangle – vérifier que la garniture latérale est bien protégée.

## CRITIQUE

**3.** Éventuellement, installer maintenant les planches de 81 cm (32 po) qui empêcheront le réfrigérateur de basculer.

**4.** Placer une feuille de carton de l'emballage sur le plancher pour chaque déplacement du réfrigérateur ou du chariot dans la maison. Approcher le réfrigérateur près de la cavité d'encastrement.

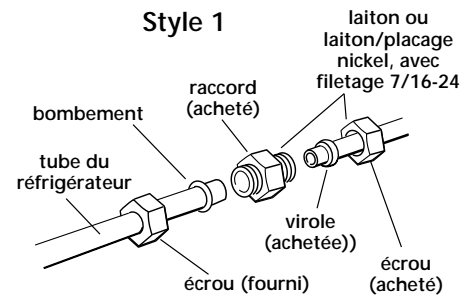
**5.** Avant de connecter le tube de raccordement du réfrigérateur à la canalisation d'eau, on doit y faire circuler au moins 1,9 L (2 ptes) d'eau (récupération dans un récipient) pour éliminer toutes les particules éventuellement présentes.

Fermer le robinet.

Rechercher des fuites dans la canalisation d'eau.

**6.** Raccorder le réfrigérateur à la canalisation d'eau. Enlever le ruban adhésif qui immobilise le tube gris à l'arrière du réfrigérateur.

Utiliser les instructions pour Style 1 ou Style 2, selon la configuration d'installation.

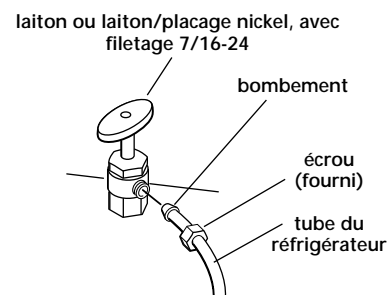


Enfiler l'écrou de compression et la virole sur le tube.

Enfoncer le tube dans le raccord aussi loin qu'il peut pénétrer. Faire glisser l'écrou et la virole vers l'avant et visser l'écrou à la main. Pour terminer le serrage, faire tourner l'écrou de deux (2) tours de plus avec une clé.

Insérer dans le raccord l'extrémité du tube comportant un bombement, puis visser l'écrou à la main. Pour terminer le serrage, faire tourner l'écrou de deux tours de plus avec une clé.

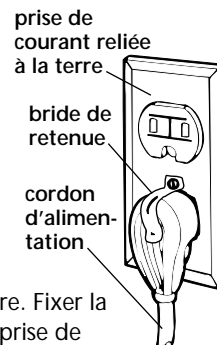
### Style 2



Insérer l'extrémité du tube comportant un bombement dans le raccord du robinet, aussi loin que le tube peut pénétrer, puis visser l'écrou à la main. Pour terminer le serrage, faire tourner l'écrou de deux tours de plus avec une clé.

**7.** Pousser le commutateur d'alimentation situé en haut de la caisse à la position d'arrêt (OFF).

Brancher le cordon d'alimentation sur une prise de courant électrique reliée à la terre. Fixer la bride de retenue sur la prise de courant avec la vis fournie dans le sachet de petites pièces.

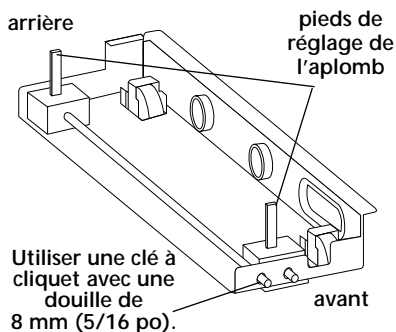


**8.** Placer une feuille de carton ou de contreplaqué sous le réfrigérateur. Enlever le chariot. Ouvrir les portes de l'appareil et retirer tous les sachets de pièces et matériaux d'emballage qu'on trouve dans les compartiments de réfrigération et de congélation. Ne pas ôter le film de protection.

Pour éviter d'endommager le sol, avant de déplacer le réfrigérateur vérifier que les pieds sont soulevés (aucun contact avec le plancher) et que le réfrigérateur repose sur les roulettes.

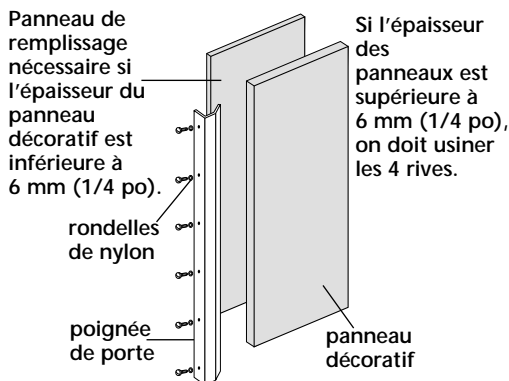
Pousser le réfrigérateur dans la cavité d'encastrement. Vérifier que :

- la canalisation d'arrivée d'eau n'est pas déformée/écrasée;
- le cordon d'alimentation électrique est au sommet du réfrigérateur, près du couvercle.



**9.** Utiliser une clé à douille pour faire tourner les pieds d'appui sur chaque côté du réfrigérateur (dans le sens horaire) jusqu'à ce que le poids du réfrigérateur soit en appui sur les pieds. Les roulettes ne devraient pas être en contact avec le plancher. Pour éviter d'endommager la caisse de l'appareil, ne pas exercer un couple de plus de 58 cm/kg (50 lb/po) sur les pieds de réglage de l'aplomb.

**Remarque :** Pour que le poids du réfrigérateur soit complètement soutenu d'une manière stable, il faut que les quatre pieds de réglage de l'aplomb soient en contact du plancher. Les roulettes ne sont utilisées que pour le déplacement du réfrigérateur, et pas pour un soutien permanent.



**10.** Modèles à portes métalliques enveloppantes : Passer à l'étape 12.

**Modèles à panneaux :** Enlever tous les rubans adhésifs et articles d'arrimage des portes du réfrigérateur et du congélateur. Enlever les vis fixant la poignée sur chaque cadre de porte. Enfiler les panneaux décoratifs dans les cadres de porte.

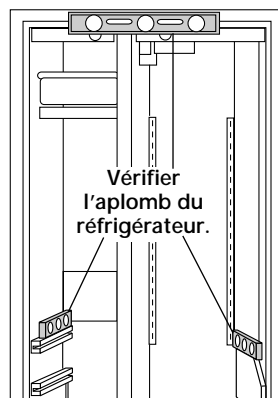
Pour des panneaux épais de moins de 6 mm (1/4 po), installer un panneau de remplissage entre la porte et le panneau décoratif.

Pour des panneaux de plus de 6 mm (1/4 po), usiner les rives.

**ÉTAPES CRITIQUES**

**11.**

Ouvrir les portes. Placer un niveau en contact avec la face inférieure de la garniture de la porte, puis en appui sur les guides de coulissement du bac à légumes frais et du panier du congélateur tel qu'indiqué. Ajuster les pieds de réglage pour établir un aplomb parfait du réfrigérateur. Vérifier que les quatre pieds sont au contact du plancher. Il faut que les panneaux de porte soient installés avant l'établissement de l'aplomb.



**12.** Vérifier que les portes du réfrigérateur et du congélateur sont alignées et d'aplomb.

S'il est nécessaire d'ajuster la position des portes (vers la gauche ou la droite, ou pour régler l'écartement), desserrer la vis à tête hexagonale de 8 mm (3/8 po) de la charnière supérieure.

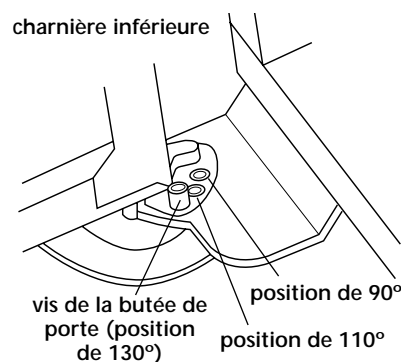
S'il est nécessaire d'ajuster la position verticale vers le haut ou vers le bas, ôter la vis de la butée de porte de la charnière inférieure. Ôter la plaque de verrouillage. Avec une clé plate de 12 mm (1/2 po) ou une pince multiprise, faire tourner la bague dans le sens antihoraire pour soulever la porte, ou dans le sens horaire pour faire descendre la porte. Contrôler l'aplomb de chaque porte. Réinstaller la plaque de verrouillage et la vis de butée.

Il peut être nécessaire de faire tourner un peu la bague pour aligner la plaque de verrouillage, de telle sorte que la vis de la butée de porte puisse être insérée.

**13.** Réinstaller la poignée de chaque porte. Vérifier que les deux poignées de porte sont alignées (au sommet).

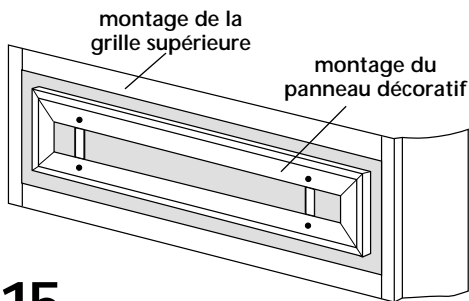
Si les poignées de porte ne sont pas alignées, desserrer toutes les vis des poignées et ajuster la position verticale de chaque poignée. Resserrer les vis.

Si une vis de porte blanche est endommagée, utiliser une des vis additionnelles fournies dans le sachet de petites pièces.



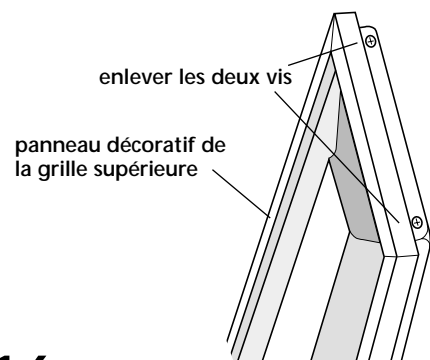
**14.** Vérifier que chaque porte peut s'ouvrir librement. Si l'angle d'ouverture est excessif, enlever la vis de la butée de porte de la charnière inférieure. Tenir la porte à un angle d'ouverture inférieur à 90°. Réinstaller la vis de la butée de porte à la position 110° sur la charnière inférieure, et serrer la vis. S'il y a encore une interférence entre le comptoir et la porte après le réglage, il peut être nécessaire d'usiner le panneau du comptoir.

**ÉTAPES CRITIQUES**

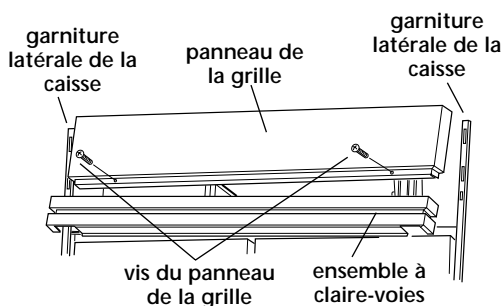


## 15. Modèles à portes métalliques enveloppantes : Passer à l'étape 17.

Modèles à panneaux : Faire glisser le panneau décoratif vers le haut pour l'extraire du montage de la grille supérieure.



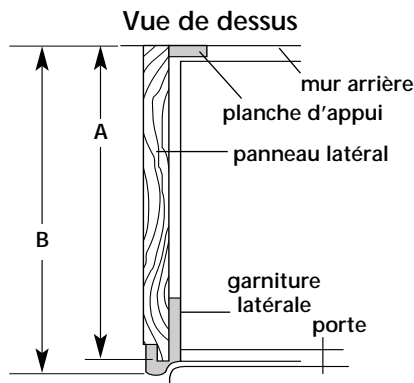
## 16. Modèles à panneaux : Enlever les vis et la garniture latérale sur un côté du panneau décoratif. Réinstaller la garniture latérale et les vis.



## 17. Modèles à panneaux : Faire glisser le panneau décoratif vers le bas pour réinstaller la grille supérieure.

## 18. Si aucun panneau latéral n'est utilisé, passer à l'étape 19.

Si la profondeur de la cavité d'encastrement est de 63,5 cm (25 po) ou plus, on peut insérer chaque panneau latéral dans le profilé de garniture latérale ou le fixer à l'extérieur du profilé de garniture latérale.



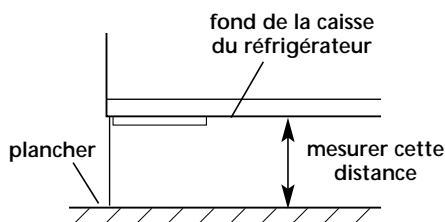
	Modèles à panneaux (illustrés)	Modèles à portes métalliques enveloppantes
A	61 cm (24 po)	58,4 cm (23 po)
B	62,5 cm max. (24 5/8 po)	59,4 cm (23 3/8 po)

- **Pièce de la garniture latérale :** Insérer la rive avant du panneau latéral usiné dans le profilé de garniture. Clouer la rive arrière du panneau sur la planche d'appui.

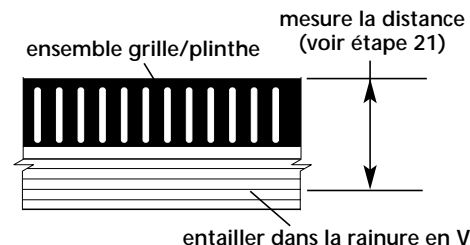
**REMARQUE :** KitchenAid n'est pas responsable des opérations d'enlèvement et de réinstallation des moulures ou panneaux décoratifs qui entraveraient l'accès au réfrigérateur lors d'une intervention de réparation.

## 19. Ouvrir les portes du réfrigérateur et enlever le film de protection de l'encadrement des portes. Inspecter de nouveau les connexions de raccordement à la canalisation d'eau (en bas de réfrigérateur) pour rechercher les fuites. Installer les étagères, bacs et balconnets dans les compartiments de réfrigération et de congélation.

## 20. Enlever le paquet de pièces pour grille/plinthe fixé avec du ruban adhésif à l'avant du réfrigérateur. Enlever la grille/plinthe et 2 vis du le paquet.

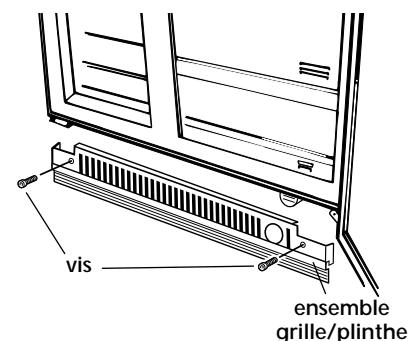


## 21. Ouvrir la porte du réfrigérateur et mesurer la distance entre le fond de la caisse et le plancher.



## 22. Mesurer cette même distance depuis le sommet de la grille jusqu'à la plus proche rainure en V sur la plinthe.

Entailler la plinthe dans la rainure en V avec un couteau, et briser la plinthe sur la ligne d'entaille.



## 23. Fixer l'ensemble grille/plinthe sur la caisse avec les deux vis.

## 24. Placer le bouton de réglage de chaque compartiment à la position médiane entre COLD (froid) et COLDEST (très froid). Vérifier que le compresseur fonctionne correctement et que les cinq lampes fonctionnent.

**Pour pouvoir utiliser au mieux ce nouveau réfrigérateur encastré, lire le guide d'utilisation et d'entretien KitchenAid. Conserver les Instructions d'installation et le Guide d'utilisation et d'entretien près du réfrigérateur encastré, pour référence.**

Remarque : Si des travaux de construction se poursuivent après l'installation du réfrigérateur, placer le bouton de réglage du compartiment de congélation à la position d'arrêt (OFF).

Pièce n° 2209478  
© 2000 KitchenAid.  
® Marque déposée de KitchenAid  
U.S.A., Emploi licencié par  
KitchenAid Canada

**KitchenAid**<sup>®</sup>  
APPAREILS MÉNAGERS

Préparé par KitchenAid, Benton Harbor, Michigan 49022  
Download from [www.somanuals.com](http://www.somanuals.com). All Manuals Search And Download.

Imprimé aux É.-U.



# REFRIGERADORES EMPOTRADOS CON FILTRACIEN DE AGUA

MODELOS CON PANELES Y MODELOS CON PUERTAS LATERALES MET« LICAS


36 PULG. (91 CM), 42 PULG. (106 CM), 48 PULG. (122 CM)

**INSTRUCCIONES  
DE INSTALACIEN**

**IMPORTANTE:  
LEA Y GUARDE  
ESTAS  
INSTRUCCIONES.**

**LA INSTALACIEN  
REQUIERE DE  
2 O M«S  
PERSONAS.**

**⚠ ADVERTENCIA**



**Peligro de Vuelco**  
El refrigerador puede volcarse cuando est« siendo instalado debido a que la parte superior es pesada.  
Mantenga las puertas cerradas con cinta hasta que el refrigerador est« completamente instalado.  
Se necesitan dos o m«s personas para mover e instalar el refrigerador.  
El incumplimiento de esta advertencia puede resultar en una lesi«n grave o mortal.



**KitchenAid®**  
POR LA FORMA EN QUE EST« HECHA®

**Importante:**

- **Instalador:** Deje las instrucciones con el propietario.
- **Propietario:** Guarde las instrucciones para referencia en el futuro.
- **Guarde** estas instrucciones de instalación para uso del inspector eléctrico.

# Antes de empezar...

**Su seguridad y la seguridad de los demás es muy importante.**

Hemos incluido muchos mensajes importantes de seguridad en este manual y en su electrodoméstico. Lea y obedezca siempre todos los mensajes de seguridad.



Este es el símbolo de advertencia de seguridad.

Este símbolo le llama la atención sobre peligros potenciales que pueden ocasionar la muerte o una lesión a usted y a los demás.

Todos los mensajes de seguridad irán a continuación del símbolo de advertencia de seguridad y de la palabra "PELIGRO" o "ADVERTENCIA". Estas palabras significan:

## ⚠ PELIGRO

Si no sigue las instrucciones de inmediato, usted puede morir o sufrir una lesión grave.

## ⚠ ADVERTENCIA

Si no sigue las instrucciones, usted puede morir o sufrir una lesión grave.

Todos los mensajes de seguridad le dirán el peligro potencial, le dirán cómo reducir las posibilidades de sufrir una lesión y lo que puede suceder si no se siguen las instrucciones.

Mantenga el embalaje de cartón o de madera laminada (plywood) debajo del refrigerador hasta que esté instalado y en posición de operación.

Nota: si usted está usando un sistema de filtración de agua por osmosis inversa, se recomienda que se quite el filtro de agua del refrigerador y se vuelva a poner la tapa en la rejilla (Ver el Manual de Uso y Cuidado).

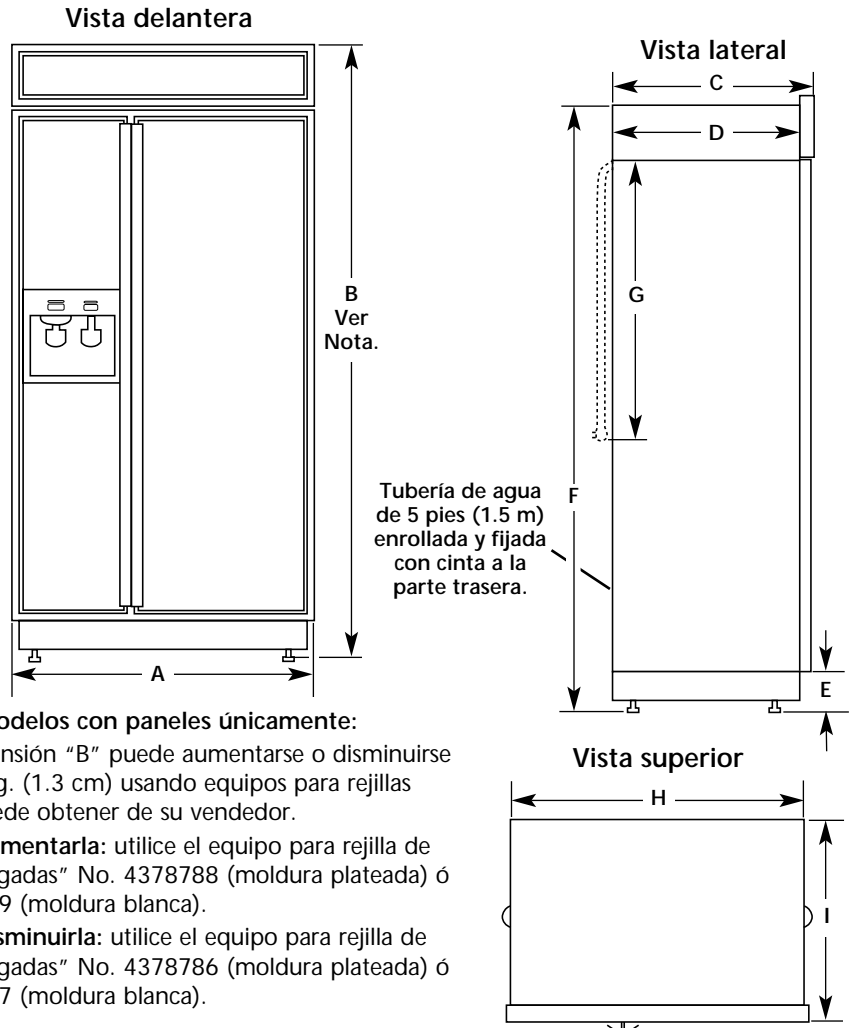
\* Las dimensiones que se muestran son para niveladores de patas que se extiendan 1/8 de pulg. (3 mm) debajo de los rodadillos. Para los niveladores que se extienden totalmente 1-1/4 de pulg. (32mm) debajo de los rodadillos, agregue 1-1/8 de pulg. (29 mm) a esta dimensión.

**Importante:** cumpla con todos los códigos y reglamentos vigentes.

**Es su responsabilidad:**

- Cumplir con las especificaciones y las dimensiones de instalación.
- Instalar debidamente el refrigerador.
- Quitar todas las molduras o paneles decorativos que eviten que se le dé al refrigerador el debido mantenimiento o servicio.
- Asegurarse de tener estos materiales para la debida instalación:
  - Tubería de cobre de 1/4 pulg. (6 mm) con válvula de cierre manual.

**Dimensiones del producto**



Para modelos con paneles únicamente: La dimensión "B" puede aumentarse o disminuirse 1/2 pulg. (1.3 cm) usando equipos para rejillas que puede obtener de su vendedor.

Para aumentarla: utilice el equipo para rejilla de "83 pulgadas" No. 4378788 (moldura plateada) ó 4378789 (moldura blanca).

Para disminuirla: utilice el equipo para rejilla de "83 pulgadas" No. 4378786 (moldura plateada) ó 4378787 (moldura blanca).

Modelos con paneles y modelos con puertas laterales metálicas con distribuidor y sin distribuidor			
	36 pulg (91 cm)	42 pulg (106 cm)	48 pulg (122 cm)
A	36 pulg (91 cm)	42 pulg (106 cm)	48 pulg (122 cm)
B <small>Modelos con paneles</small>	83-5/8 pulg (212 cm)*	83-5/8 pulg (212 cm)*	83-5/8 pulg (212 cm)*
B <small>Modelo con puertas laterales metálicas</small>	83-1/8 pulg (211 cm)	83-1/8 pulg (211 cm)	83-1/8 pulg (211 cm)
C	25-1/8 pulg (64 cm)	25-1/8 pulg (64 cm)	25-1/8 pulg (64 cm)
D	23-1/2 pulg (60 cm)	23-1/2 pulg (60 cm)	23-1/2 pulg (60 cm)
E	3-1/2 pulg (9 cm)*	3-1/2 pulg (9 cm)*	3-1/2 pulg (9 cm)*
F	83-1/8 pulg (211 cm)*	83-1/8 pulg (211 cm)*	83-1/8 pulg (211 cm)*
G	24 pulg (61 cm)	24 pulg (61 cm)	24 pulg (61 cm)
H	35 pulg (89 cm)	41 pulg (104 cm)	47 pulg (119 cm)
I	25 pulg (63.5 cm)	25 pulg (63.5 cm)	25 pulg (63.5 cm)

# Requisitos de abertura y dimensiones de empotramiento

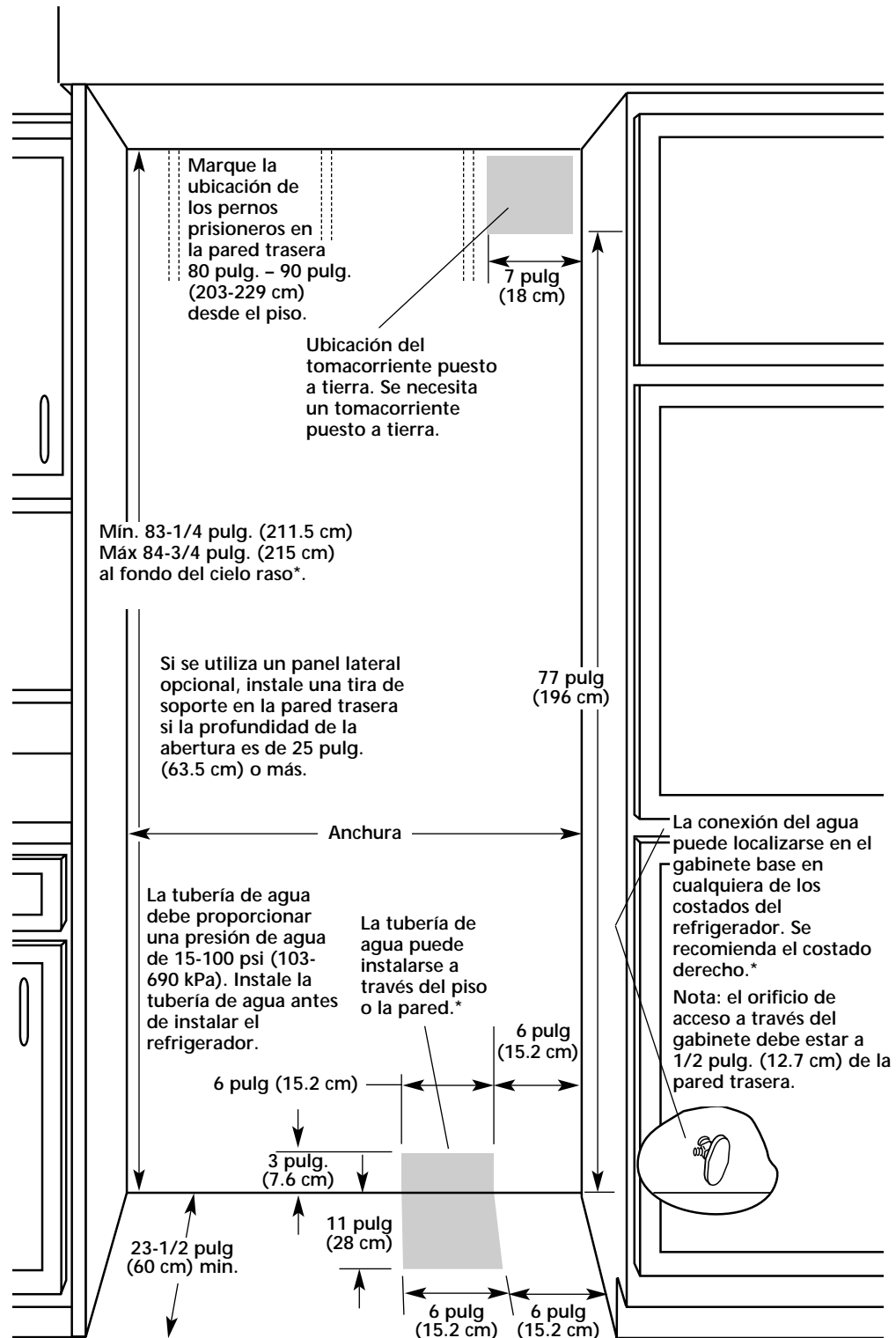
Todas las dimensiones  $\pm 1/8$  pulg. (3 mm)

- Si no hay cielo raso, vea los requisitos anti-vuelco en la página 4. Debe usarse uno de los tres métodos descritos.

El refrigerador empotrado se puede instalar:

- Empotrado dentro de la cavidad del gabinete.
- Al final de los gabinetes utilizando un panel lateral para cubrir el costado del refrigerador.

Seleccione un método y utilice las dimensiones indicadas. Las dimensiones indicadas proporcionan 0 pulg. (0 cm) de espacio.



El orificio de 1/2 pulg. (12 mm) para la cañería puede hacerse en cualquier lugar dentro del área sombreada.

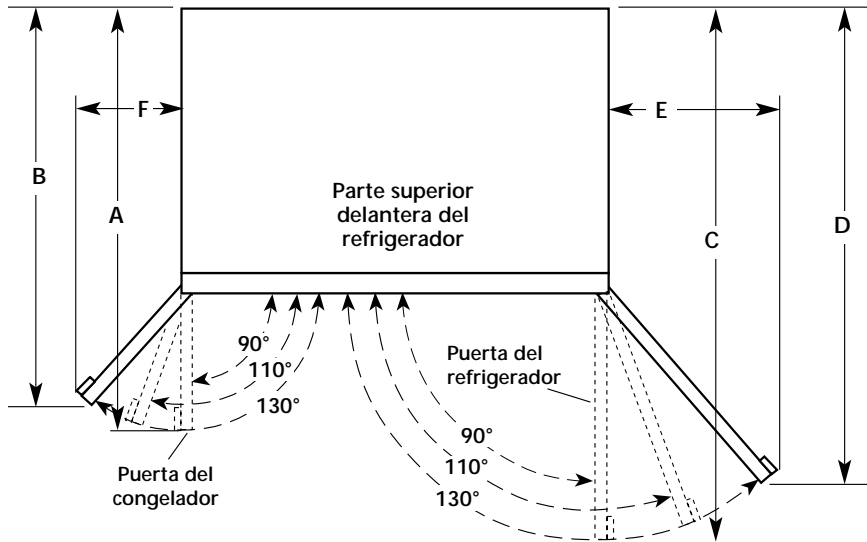
Piso: debe soportar el contenido del refrigerador y los paneles de las puertas.

\* Si se usa uno de los lugares recomendados para la tubería de agua, no es necesario comprar cañerías adicionales.

## Dimensiones de abertura

Modelo	36 pulg (91 cm)	42 pulg (106 cm)	48 pulg (122 cm)
Ancho min.	35-1/2 pulg (90 cm)	41-1/2 pulg (105 cm)	47-1/2 pulg (120 cm)

## Dimensiones del sentido de la abertura de la puerta



	36 pulg 91 cm	42 pulg 106 cm	48 pulg 122 cm
A	38-1/2 pulg. (98 cm)	41 pulg. (104 cm)	43-1/2 pulg. (110 cm)
B	36-1/16 pulg. (92 cm)	38 pulg. (97 cm)	40 pulg. (102 cm)
C	43-1/2 pulg. (110 cm)	47 pulg. (119 cm)	50-1/2 pulg. (128 cm)
D	40 pulg. (102 cm)	42-9/16 pulg. (108 cm)	45-1/4 pulg. (115 cm)
E	19-3/4 pulg. (50 cm)	23-1/4 pulg. (59 cm)	26-3/4 pulg. (68 cm)
F	14-1/2 pulg. (37 cm)	17-1/4 pulg. (44 cm)	19-3/4 pulg. (50 cm)

La ubicación debe permitir que las puertas se abran hasta un mínimo de 110°. Deje un espacio mínimo de 4-1/2 pulg. (11.4 cm) entre el costado del refrigerador y la pared esquinera.

## Ángulo de inclinación

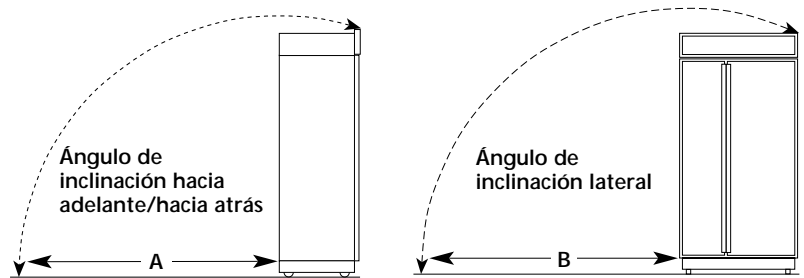
Nota: la altura de la carretilla de ruedas debe agregarse al ángulo de inclinación cuando se utiliza una carretilla de ruedas.

Dimensión	A	B
36 pulg. (91 cm)	87-1/4 pulg. (222 cm)	90-1/2 pulg. (230 cm)
42 pulg. (106 cm)	87-1/4 pulg. (222 cm)	93 pulg. (236 cm)
48 pulg. (122 cm)	87-1/4 pulg. (222 cm)	96 pulg. (244 cm)

Si se necesita espacio adicional hasta el cielo raso para inclinar el refrigerador, siga las instrucciones de su modelo.

Para modelos con puertas laterales metálicas:

- Sujete ambos extremos del panel con rejillas. Empuje derecho hacia arriba, luego tire hacia afuera para sacarlo.
- Quite los dos tornillos que fijan el panel de la rejilla, deslice el panel de la rejilla hacia abajo y sáquelo.
- Quite los seis tornillos que fijan cada moldura lateral del gabinete al refrigerador y quite las molduras laterales.
- Vuelva a ensamblar una vez que la carretilla de ruedas haya sido sacada del refrigerador.



Para modelos con paneles:

- Sujete ambos extremos del panel. Empuje derecho hacia arriba, luego tire hacia afuera para sacarlo.
- Quite los cuatro tornillos que fijan el marco a los soportes y quítelo.
- Quite los dos tornillos que fijan cada soporte al refrigerador y sáquelos.
- Vuelva a ensamblar una vez que la carretilla de ruedas haya sido sacada del refrigerador.



## Requisitos anti-vuelco

Si no existe un cielo raso sólido o está a más de 1 pulg. (2.5 cm) por encima del refrigerador, evite que el refrigerador se vuelque durante el uso, como se muestra.

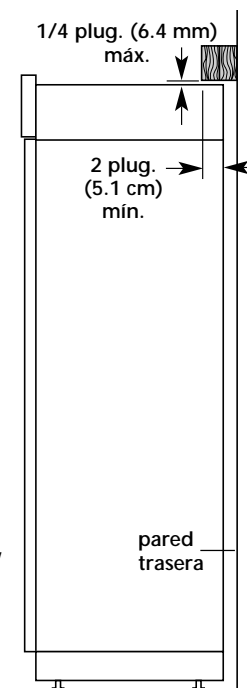
Fije con seguridad una(s) tabla(s) de madera con longitud mínima de 32 pulg. (81 cm) a los montantes de pared detrás del refrigerador. Los tornillos para madera deben atornillarse en los montantes asegurándose de que los tornillos se introduzcan como mínimo 1-1/2 pulg. (38 cm.) en los montantes. La(s) tabla(s) deben traslapar la cubierta del compresor como se muestra.

La(s) tabla(s) debe(n) ser lo suficientemente larga(s) como para cubrir totalmente el ancho de la cubierta del compresor.

Se recomienda instalar la(s) tabla(s) antes de instalar el refrigerador.

Coloque la(s) tabla(s) de manera que la superficie inferior de la(s) tabla(s) queden a 84 pulg. (213 cm) del piso. Durante la instalación, suba el refrigerador para que haya un espacio máximo de 1/4 de pulg. (6.4 mm) entre la parte superior del refrigerador y la parte inferior de la(s) tabla(s) anti-vuelco.

NO aplaste la cubierta del condensador cuando suba las patas niveladoras traseras.



# Partes que deben ser ordenadas por separado o hechas según especificaciones del cliente.

## 1. Juegos de Paneles

Cuatro juegos que contienen paneles de las puertas o de la rejilla superior, acrílicos en colores o de acero inoxidable, están disponibles a través de su distribuidor de productos KitchenAid o llamando a Partes y Accesorios KitchenAid al 1-800-442-9991. Siga las instrucciones del juego para instalar los paneles.

Los juegos de paneles no son requeridos para modelos con "paneles de acero inoxidable instalados en la fábrica" o modelos con puertas laterales metálicas.

## Números de juegos de paneles

Modelo	Sin distribuidor			Con distribuidor		
Dimensiones	36 pulg (91 cm)	42 pulg (106 cm)	48 pulg (122 cm)	36 pulg (91 cm)	42 pulg (106 cm)	48 pulg (122 cm)
Blanco	4318635	4318636	4318637	4378650	4378651	4378652
Negro	4318632	4318633	4318634	4378653	4378654	4378655
Bizcocho de porcelana	4392879	4392880	4392881	4392886	4392887	4392888
Acero Inoxidable	4318641	4318642	4318643	4378659	4378660	4378661

## 2. Juego de manijas de puertas extendidas

Dos juegos, que contienen un manija para la puerta del congelador y una manija para la puerta del refrigerador, están disponibles a través de su distribuidor de productos KitchenAid o llamando a Partes y Accesorios KitchenAid al 1-800-442-9991. Use manijas de la puerta extendidas cuando necesite espacio adicional para los dedos entre la manija de la puerta y el panel personalizado. Siga las instrucciones del juego para instalar las manijas de la puerta.

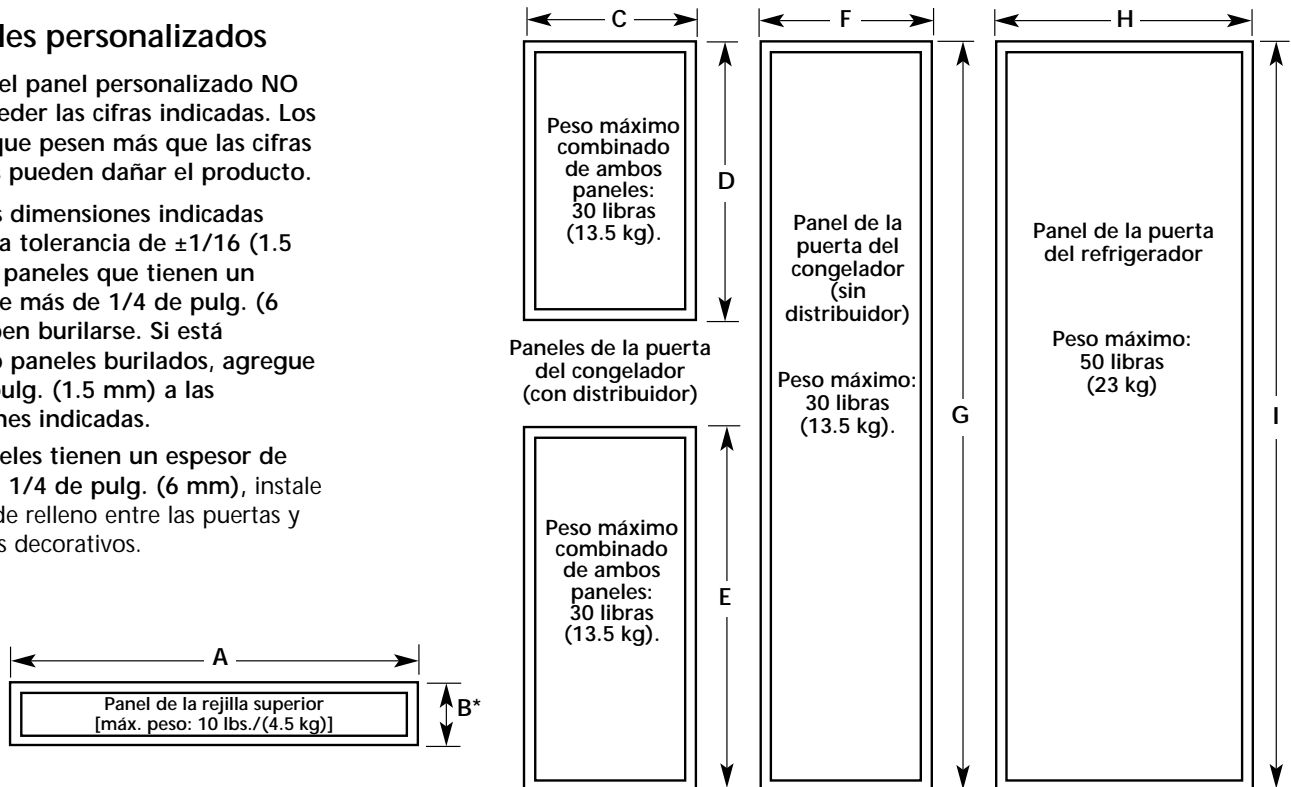
Color	Número del juego
Aluminio mate	4387989
Blanco	4387990

## 3. Paneles personalizados

El peso del panel personalizado NO debe exceder las cifras indicadas. Los paneles que pesen más que las cifras indicadas pueden dañar el producto.

NOTA: las dimensiones indicadas tienen una tolerancia de  $\pm 1/16$  (1.5 mm). Los paneles que tienen un espesor de más de 1/4 de pulg. (6 mm) deben burilarse. Si está utilizando paneles burilados, agregue 1/16 de pulg. (1.5 mm) a las dimensiones indicadas.

Si los paneles tienen un espesor de menos de 1/4 de pulg. (6 mm), instale un panel de relleno entre las puertas y los paneles decorativos.



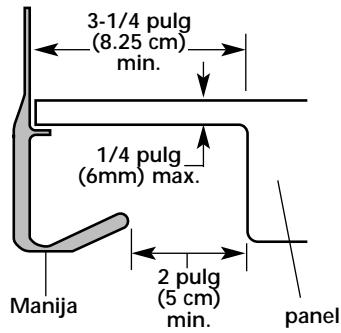
Dimensiones	A	B*	C	D	E	F	G	H	I
36 pulg (91 cm)	32-3/8 pulg (82 cm)	6 pulg (15 cm)	14-1/4 pulg (36 cm)	23-7/16 pulg (60 cm)	34-7/16 pulg (87 cm)	14-1/4 pulg (36 cm)	70-7/16 pulg (179 cm)	19-1/4 pulg (49 cm)	70-7/16 pulg (179 cm)
42 pulg (106 cm)	38-3/8 pulg (97 cm)	6 pulg (15 cm)	16-3/4 pulg (43 cm)	23-7/16 pulg (60 cm)	34-7/16 pulg (87 cm)	16-3/4 pulg (43 cm)	70-7/16 pulg (179 cm)	22-3/4 pulg (58 cm)	70-7/16 pulg (179 cm)
48 pulg (122 cm)	44-3/8 pulg (113 cm)	6 pulg (15 cm)	19-1/4 pulg (49 cm)	23-7/16 pulg (60 cm)	34-7/16 pulg (87 cm)	19-1/4 pulg (49 cm)	70-7/16 pulg (179 cm)	26-1/4 pulg (67 cm)	70-7/16 pulg (179 cm)

\*Las dimensiones "B" pueden aumentarse o disminuirse 1/2 pulg. (1.3 cm) si se utilizan los juegos para la rejilla indicados en la página 2.

# Modelos con paneles

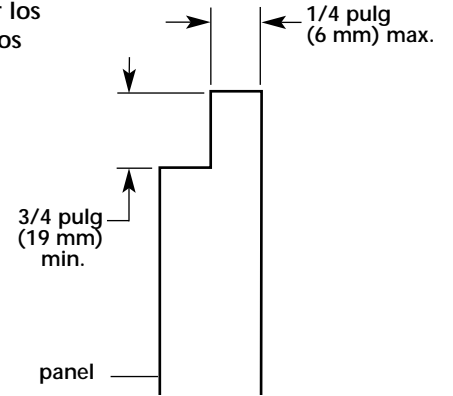
Vista de extremo del lado del panel con manija

Paneles personalizados con más de 1/4 de pulg. (6 mm) de espesor: burile la totalidad del largo o áreas específicas del lado de la manija de los paneles 3-1/4 pulg. (8.25 cm).



Dimensiones para burilar los bordes de los paneles

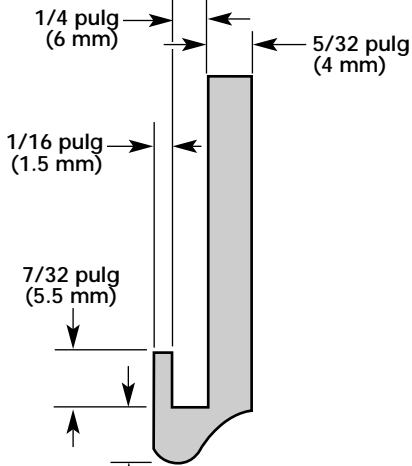
Vista lateral



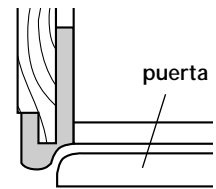
## 3. Paneles laterales

Si el panel lateral será instalado dentro de la moldura lateral y el panel tiene un espesor de más de 1/4 de pulg. (6 mm), burile el borde delantero del panel para que encaje en la moldura.

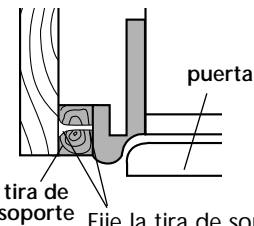
Vista de extremo de la moldura lateral



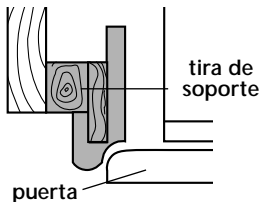
panel lateral dentro de la moldura lateral.



panel lateral fuera de la moldura lateral



panel lateral empotrado fuera de la moldura lateral



Burile el borde delantero de la tira de soporte o fije una tabla de 1/4 de pulg. para retención en la moldura lateral del gabinete.

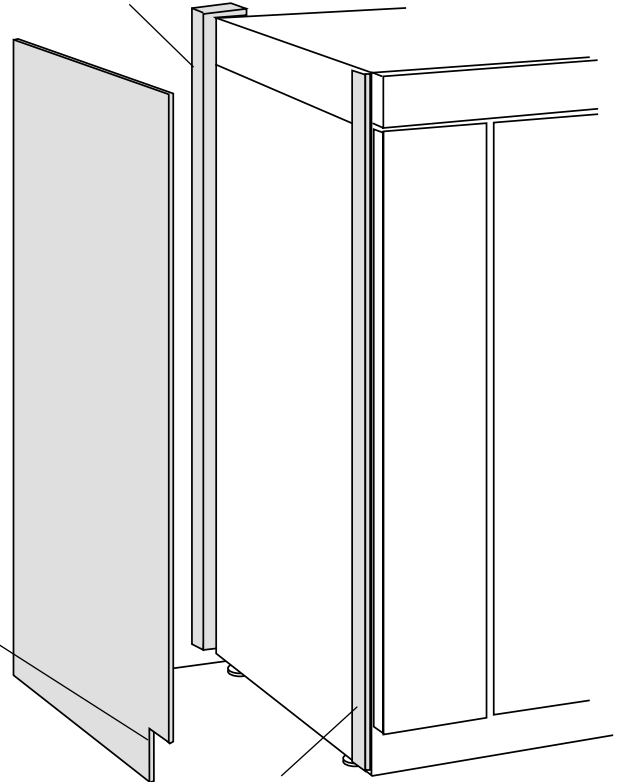
Fije la tira de soporte con tornillo o material adhesivo compatible con aluminio o madera.

anchura y altura: dependen del tipo de instalación.

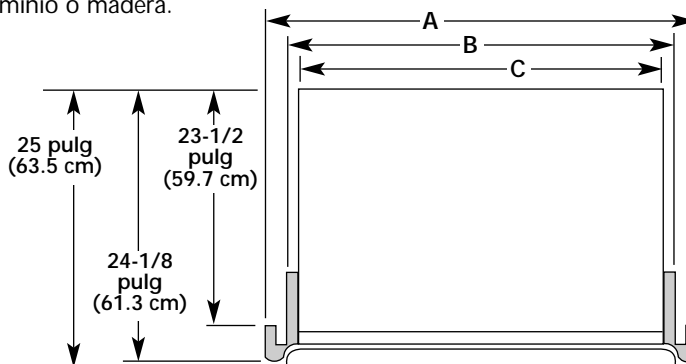
Espesor: mínimo 1/2 pulg. (12 mm) para prevenir deformidades.

Entalladuras para el listón del zócalo (si se desea). Determine la altura de la instalación antes de hacer las entalladuras.

listón de apoyo del panel lateral



Piezas de moldura lateral



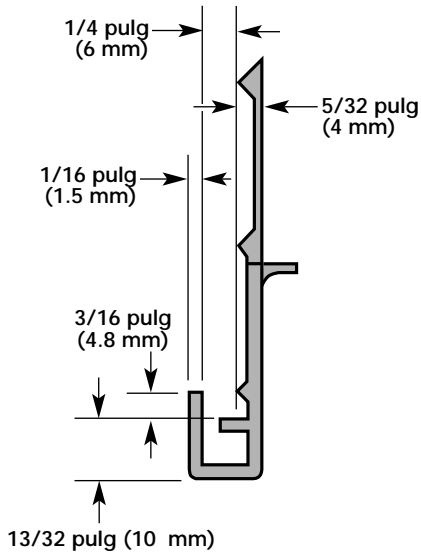
Modelo	36 pulg (91 cm)	42 pulg (106 cm)	48 pulg (122 cm)
A	36 pulg (91 cm)	42 pulg (106 cm)	48 pulg (122 cm)
B	35-1/2 pulg (90 cm)	41-1/2 pulg (105 cm)	47-1/2 pulg (120 cm)
C	35 pulg (89 cm)	41 pulg (104 cm)	47 pulg (119 cm)

# Modelos con puertas laterales metálicas

## 3. Paneles laterales

Si el panel lateral será instalado dentro de la moldura lateral y el panel tiene un espesor de más de 1/4 de pulg. (6 mm), burile el borde delantero del panel para que encaje en la moldura.

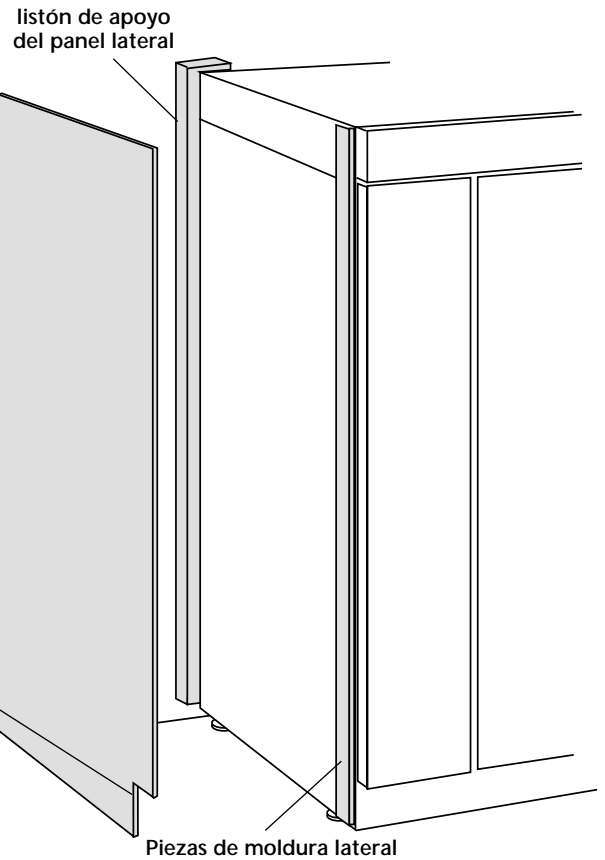
Vista de extremo de la moldura lateral



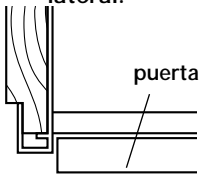
anchura y altura:  
dependen del tipo de  
instalación.

Espesor: mínimo 1/2  
pulg. (12 mm) para  
prevenir  
deformidades.

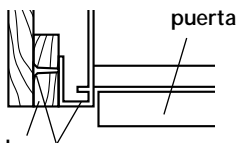
Entalladuras para el  
listón del zócalo  
(si se desea).  
Determine la altura  
de la instalación  
antes de hacer las  
entalladuras.



panel lateral dentro  
de la moldura  
lateral.

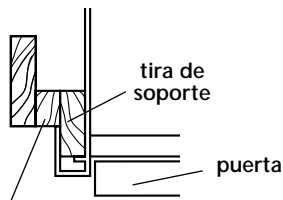


panel lateral fuera  
de la moldura lateral.

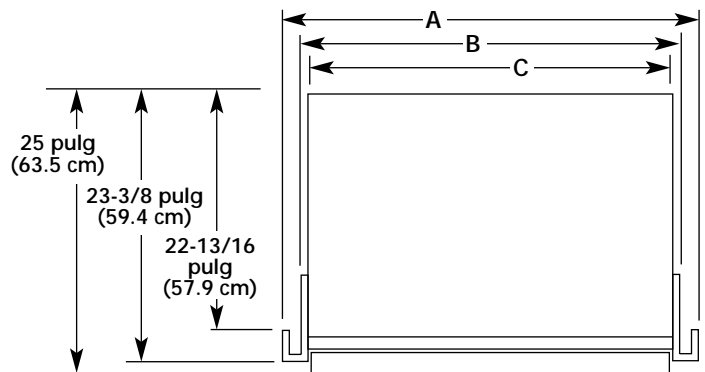


tira de soporte Fije la tira de soporte con  
tornillo o material adhesivo  
compatible con aluminio o  
madera.

panel lateral empotrado  
fuera de la moldura lateral



Burile el borde delantero de la tira de soporte  
o fije una tabla de 1/4 de pulg. Para retención  
en la moldura lateral del gabinete.



Modelo	36 pulg (91 cm)	42 pulg (106 cm)	48 pulg (122 cm)
A	36 pulg (91 cm)	42 pulg (106 cm)	48 pulg (122 cm)
B	35-1/2 pulg (90 cm)	41-1/2 pulg (105 cm)	47-1/2 pulg (120 cm)
C	35 pulg (89 cm)	41 pulg (104 cm)	47 pulg (119 cm)

# Requisitos eléctricos y de suministro de agua

## Requisitos Eléctricas

### ⚠️ ADVERTENCIA



#### Peligro de Choque Eléctrico

Conecte a un enchufe de pared de conexión a tierra de tres terminales.

No retire el terminal de conexión a tierra.

No utilice un adaptador.

No utilice un cable eléctrico de extensión.

No seguir estas instrucciones puede ocasionar la muerte, incendio, o choque eléctrico.

Si las regulaciones lo permiten y se usa un cable a tierra separado, se recomienda que un electricista calificado determine que la conexión a tierra sea adecuada.

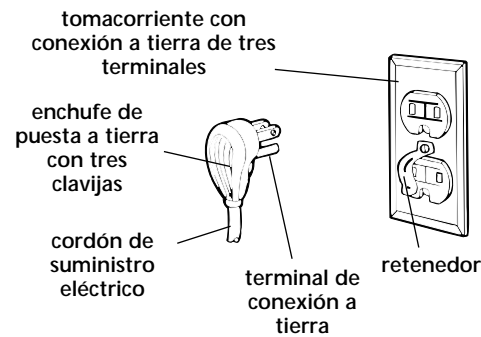
No utilice la tubería de gas como tierra. Verifique con un electricista calificado si no está seguro de que la unidad se encuentra conectada a tierra correctamente.

No mantenga un fusible en posición neutra o circuito de tierra.

Es responsabilidad del cliente:

Llamar a un instalador eléctrico calificado.

Asegurar que la instalación eléctrica es correcta y que se ha hecho de conformidad con el Código Eléctrico Nacional, ANSI/NFPA 70, última edición\*, además de todas las normas y ordenanzas locales al efecto.



Se requiere una fuente eléctrica de 120 voltios, 60 Hz, solamente de CA, con fusible de 15 ó 20 amperios. Se recomienda un fusible de tiempo diferido. También se recomienda que un circuito separado sea provisto para este artefacto.

Este artefacto está equipado con un cordón de suministro eléctrico con enchufe de puesta a tierra con tres clavijas. Para minimizar el peligro de choque eléctrico, el cordón debe estar enchufado en un tomacorriente con conexión a tierra de tres terminales, de acuerdo con el Código Nacional de Electricidad, ANSI/NFPA 70, última edición\*, y todos los códigos y ordenanzas locales.

Pueden obtenerse copias del estándar listado en:

\* National Fire Protection Association  
One Batterymarch Park  
Quincy, Massachusetts 02269

\*\* CSA International  
8501 East Pleasant Valley Road  
Cleveland, Ohio 44131-5575

## Requisitos de suministro de agua

La tubería de suministro de agua al refrigerador debe proveer 15-100 psi (103-690 kPa) de presión.

Haga la conexión para la tubería de agua como se indica en la página 3.



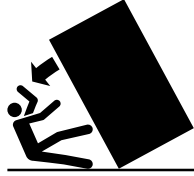
# Pasos de Instalación

## Partes suministradas para la instalación:

- rejilla de la base
- bolsa de partes

Verifique que todas las partes estén incluidas.

## ⚠ ADVERTENCIA



### Peligro de Vuelco

**El refrigerador puede volcarse cuando está siendo instalado debido a que la parte superior es pesada.**

**Mantenga las puertas cerradas con cinta hasta que el refrigerador esté completamente instalado.**

**Se necesitan dos o más personas para mover e instalar el refrigerador.**

**El incumplimiento de esta advertencia puede resultar en una lesión grave o mortal.**

NO baje el refrigerador contra la base de embalaje al quitar ésta.

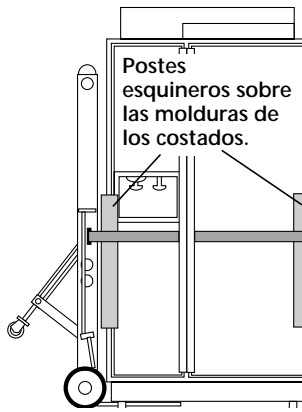
No quite la película protectora hasta que esté instalado el refrigerador.

Las cuatro patas niveladoras deben hacer contacto con el piso para soportar y estabilizar todo el peso del refrigerador.

Mantenga el embalaje de cartón o de madera laminada (plywood) debajo del refrigerador hasta que esté instalado en la posición de operación.

**1.** Quite y guarde el paquete con literatura y la bolsa de partes pegada a la puerta del refrigerador. Quite los cuatro soportes (dos en cada lado) que fijan la base para embalaje a la parte inferior del refrigerador.

No quite la cinta ni el anclaje de la puerta hasta que el refrigerador se encuentre en su posición final.



**2.** Coloque la carretilla de ruedas para aparatos debajo del lado del congelador del refrigerador. Pase la correa de la carretilla debajo de las manijas, luego envuelva holgadamente la correa de la carretilla alrededor del refrigerador. Inserte los postes esquineros de cartón entre la correa y las molduras de los costados. Cuidadosamente apriete la correa, asegurándose de que las molduras de los costados estén protegidas.

## CRÍTICO

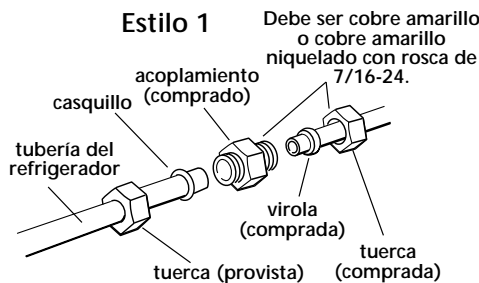
**3.** Si se utilizarán tablas de madera de 32 pulg. (81 cm) de longitud para impedir que el refrigerador se vuelque, instálelas ahora.

**4.** Coloque secciones del cartón de embalaje en el piso cuando ruede la carretilla y el refrigerador dentro de la casa. Mueva el refrigerador cerca de la abertura empotrada.

**5.** Antes de fijar la línea de suministro de agua del refrigerador a la tubería de agua, haga correr al menos 2 cuartos (1.9 L) de agua por la tubería de agua a un balde para limpiarla de impurezas.

Cierre la válvula de suministro de agua. Revise si hay fugas en la tubería de agua.

**6.** Haga la conexión al refrigerador. Quite la cinta a la tubería en la parte trasera del refrigerador. Use el Estilo 1 o el Estilo 2, dependiendo de su instalación.



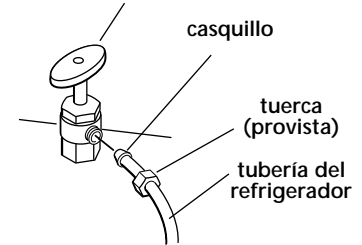
Deslice la tuerca comprada y luego la virola comprada encima de la tubería.

Empuje la tubería en el acoplamiento hasta el tope. Deslice la tuerca y la virola hacia delante y apriete la tuerca con los dedos. Déle dos (2) vueltas más a la tuerca con la llave.

Inserte el extremo del tubo con el casquillo en el acoplamiento comprado, deslice la tuerca hacia abajo y apriétela con los dedos. Déle dos (2) vueltas a la tuerca con la llave.

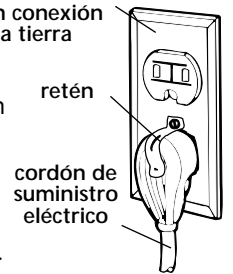
### Estilo 2

La válvula debe ser de cobre amarillo o cobre amarillo niquelado con rosca de 7/16-24.



Empuje el extremo del tubo con el casquillo en la válvula de suministro de agua hasta el tope. Deslice la tuerca hacia delante y apriétela con los dedos. Apriete la tuerca dos (2) vueltas más con la llave.

**7.** Coloque el tomacorriente interruptor de corriente situado encima del mueble en la posición "OFF" (apagado). Enchufe el cordón de suministro eléctrico en el tomacorriente con conexión a tierra. Instale el retén en el tomacorriente utilizando un tornillo de la bolsa de partes.

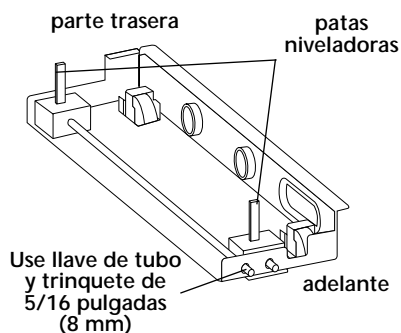


**8.** Coloque la parte de arriba del embalaje de cartón o de madera laminada debajo del refrigerador. Quite la carretilla. Abra las puertas del electrodoméstico y saque todas las cajas, paquetes con partes y materiales de embalaje de los compartimientos del refrigerador y el congelador. No quite la película protectora. **Para no dañar el piso, asegúrese de que los niveladores estén levantados (sin tocar el piso) y que el refrigerador esté en los rodadillos antes de moverlo.**

Mueva el refrigerador derecho hacia atrás y uniformemente dentro de la abertura.

Verifique que:

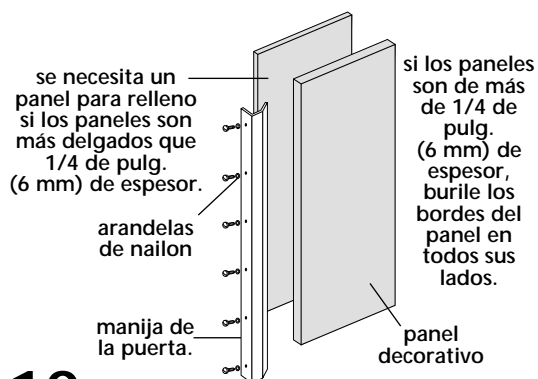
- la tubería de agua no esté retorcida.
- el cordón de suministro eléctrico se encuentre encima del refrigerador cerca de la cubierta.



**9.** Use llave de tubo para girar a la derecha (en el sentido de las agujas del reloj) las patas niveladoras a ambos lados del refrigerador hasta que el peso recaiga sobre las patas niveladoras. Deben quitarse los rodillos del piso.

Par no dañar el gabinete, no aplique más de 50 pulg./lb (58 cm/kg) de torsión a las patas niveladoras.

**Nota:** las cuatro patas niveladoras deben estar en contacto con el piso para sostener y estabilizar el peso total del refrigerador. Los rodillos sirven para mover el refrigerador, no para sostenerlo permanentemente.

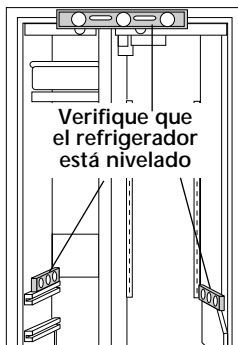


**10.** Modelos con puertas laterales metálicas: vaya al paso 12. Modelos con paneles: quite todas las cintas y los anclajes para puertas de las puertas del refrigerador y del congelador. Quite los tornillos que fijan las manijas a los marcos de las puertas. Deslice los paneles decorativos dentro de los marcos de las puertas.

Si los paneles son más delgados que 1/4 de pulgada (6 mm) de espesor, instale un panel de relleno entre la puerta y el panel decorativo.

Si los paneles son de más de 1/4 de pulg. (6 mm) de espesor, burile los bordes del panel en todos sus lados.

**11.** Abra las puertas. Coloque un nivel contra el lado inferior de la moldura de la puerta en la guía del cajón para verduras y en la guía de la cesta del congelador como se muestra. Ajuste las patas niveladoras hasta que el refrigerador esté nivelado. Verifique que las cuatro patas niveladoras hagan contacto con el piso y soporten todo el peso del refrigerador. Los paneles de las puertas tienen que estar instalados antes de la nivelación.



Ajuste las patas niveladoras hasta que el refrigerador esté nivelado. Verifique que las cuatro patas niveladoras hagan contacto con el piso y soporten todo el peso del refrigerador. Los paneles de las puertas tienen que estar instalados antes de la nivelación.

**12.** Verifique que la puerta del refrigerador y la puerta del congelador estén alineadas y a nivel.

Si es necesario ajustar las puertas hacia la izquierda o hacia la derecha, hacia adentro o hacia fuera, afloje los tornillos de cabeza hexagonal de 3/8 de pulg. en las bisagras superiores.

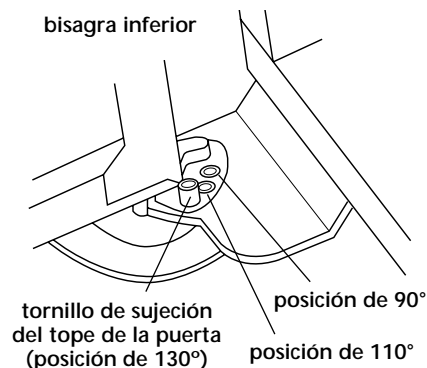
Si es necesario ajustar las puertas hacia arriba o hacia abajo, quite el tornillo de tope de la bisagra inferior de las puertas. Quite la placa de enclavamiento. Use una llave de boca de 1/2 pulg. o pinzas de cierre acanalado para hacer girar el buje hacia la izquierda (en sentido contrario a las agujas del reloj) para subir la puerta, hacia la derecha (en el sentido de las agujas del reloj) para bajar la puerta. Verifique que las puertas estén niveladas. Vuelva a fijar la placa de enclavamiento y el tornillo de tope de las puertas.

Podría ser necesario hacer girar el buje ligeramente para alinear la placa de enclavamiento para que el tornillo de tope de la puerta pueda insertarse.

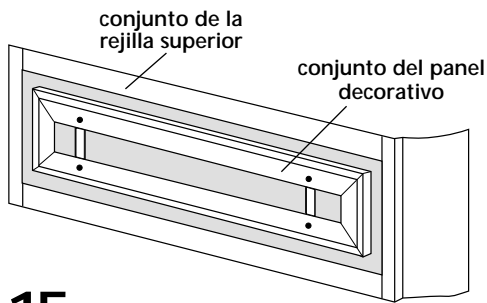
**13.** Vuelva a colocar las manijas de las puertas. Verifique que en la parte superior, ambas manijas estén alineadas.

Si las manijas no están alineadas, afloje todos los tornillos de las manijas y ajústelas hacia arriba o hacia abajo. Apriete los tornillos.

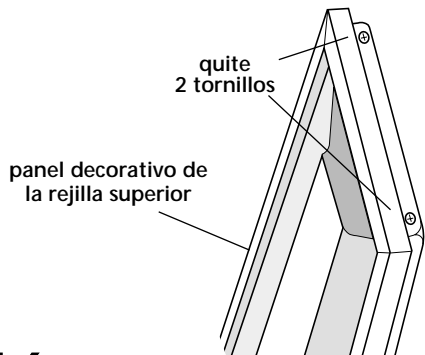
Si alguno de los tornillos de la puerta blanca ha sido dañado, replácelo con otro del paquete de partes.



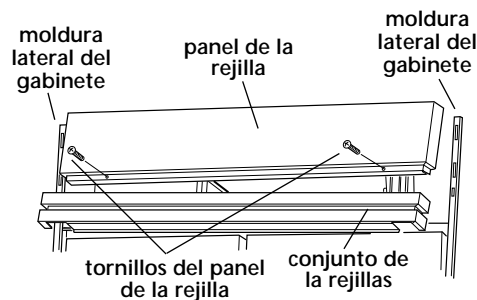
**14.** Verifique que las puertas se abran holgadamente. Si las puertas se abren con demasiada amplitud, quite el tornillo de tope de la bisagra inferior de la puerta. Mantenga la puerta abierta en una posición inferior a los 90°. Vuelva a colocar el tornillo de tope de la puerta en la posición de la puerta de 110° en la bisagra inferior y ajústelo. Si la puerta no despeja el contratope después de haber sido ajustada, es posible que sea necesario biselar los topes.



**15.** Modelos con puertas laterales metálicas: vaya al paso 17.  
Modelos con paneles: deslice el conjunto del panel decorativo hacia arriba para quitarlo del conjunto de la rejilla superior.

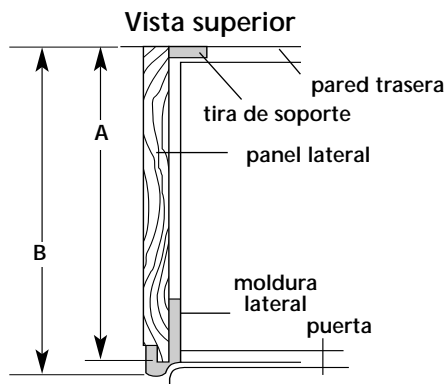


**16.** Modelos con paneles: Quite los tornillos y la moldura lateral de un lado del panel decorativo. Inserte su panel. Reinstale la moldura lateral y los tornillos.



**17.** Modelos con paneles: deslice el panel decorativo hacia abajo para volver a fijar la rejilla superior.

**18.** Si no se usan paneles laterales, vaya al paso 19.  
Si la profundidad del área de empotramiento es 25 pulg. (63.5 cm) o más, los paneles laterales pueden volverse a instalar dentro de la moldura lateral o fijarse a la parte exterior de la moldura lateral.



	Modelos con paneles (ilustrados)	Modelos con puertas laterales metálicas
A	24 pulg (61 cm)	23 pulg (58.4 cm)
B	24-5/8 pulg (62.5 cm max.)	23-3/8 pulg (59.4 cm)

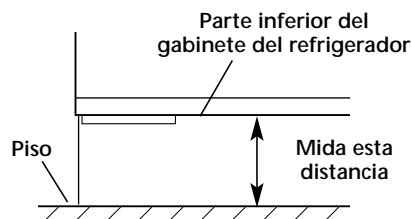
• Interior de moldura lateral: deslice el brode delantero del panel lateral burilado dentro de la moldura. Clave el borde posterior del panel a la tira de soporte.

**NOTA:** KitchenAid no se responsabiliza por la remoción o adición de molduras o paneles decorativos que impedirían el servicio del refrigerador.

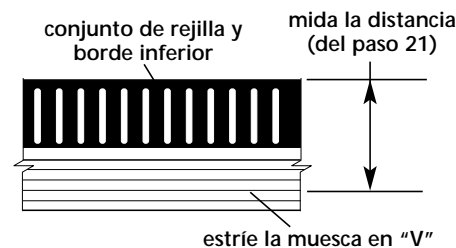
**19.** Abra las puertas del refrigerador y quite la película protectora del marco de la puerta. Vuelva a verificar que no existen fugas en las conexiones de agua en la parte inferior del refrigerador.

Instale las rejillas, los anaqueles y las bandejas en los compartimentos del refrigerador y del congelador.

**20.** Quite el paquete de la rejilla y el borde inferior pegado con cinta al frente del refrigerador. Saque la rejilla y el borde inferior y 2 tornillos del paquete.

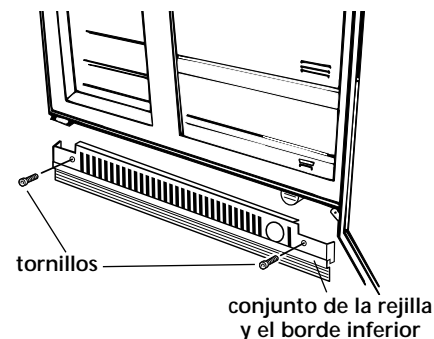


**21.** Abra la puerta del refrigerador y mida la distancia desde la parte inferior del gabinete del refrigerador hasta el piso.



**22.** Mida esta misma distancia desde la parte superior de la rejilla inferior hasta la muesca en "V" más cercana en el borde inferior de la rejilla.

Utilice un cuchillo para estriar la muesca en "V" y quiebre el borde en la línea estriada.



**23.** Fije el conjunto de la rejilla inferior y el borde inferior al gabinete con los 2 tornillos.

**24.** Ponga los controles del compartimento del refrigerador y el del congelador en el punto medio entre "COLD" (Frio) y "COLDEST" (Muy frío). Verifique que el compresor se encuentre funcionando correctamente, al igual que las cinco luces.

**Para obtener el uso más eficiente de su nuevo refrigerador empotrado, lea el Manual de Uso y Cuidado de KitchenAid. Mantenga las instrucciones de instalación y el Manual cerca del refrigerador empotrado para referencia futura.**

Nota: si continuará la construcción después de que el refrigerador haya sido instalado, haga girar el control del compartimento del congelador en sentido contrario a las agujas del reloj hasta la posición de "OFF" (apagado).

Parte No. 2209478  
© 2000 KitchenAid.

® Marca registrada/Marca de fábrica de  
KitchenAid U.S.A., KitchenAid Canada,  
licenciataria en Canada

**KitchenAid**<sup>®</sup>  
ELECTRODOMESTICOS

Preparado por KitchenAid, Benton Harbor, Michigan, 49022  
Download from [Www.Somanuals.com](http://www.Somanuals.com). All Manuals Search And Download.

Impreso en los EE.UU.

## Free Manuals Download Website

<http://myh66.com>

<http://usermanuals.us>

<http://www.somanuals.com>

<http://www.4manuals.cc>

<http://www.manual-lib.com>

<http://www.404manual.com>

<http://www.luxmanual.com>

<http://aubethermostatmanual.com>

Golf course search by state

<http://golfingnear.com>

Email search by domain

<http://emailbydomain.com>

Auto manuals search

<http://auto.somanuals.com>

TV manuals search

<http://tv.somanuals.com>