

**KitchenAid®**

---

# INSTALLATION GUIDE

Built-In Refrigerators Side by Side and Bottom Mount

**IMPORTANT:** READ AND SAVE THESE INSTRUCTIONS. INSTALLATION REQUIRES 2 OR MORE PEOPLE.

---

# MANUAL DE INSTALACIÓN

Refrigeradores empotrados de dos puertas y con montaje inferior

**IMPORTANTE:** LEA Y GUARDE ESTAS INSTRUCCIONES. LA INSTALACIÓN REQUIERE DE 2 O MÁS PERSONAS.

---

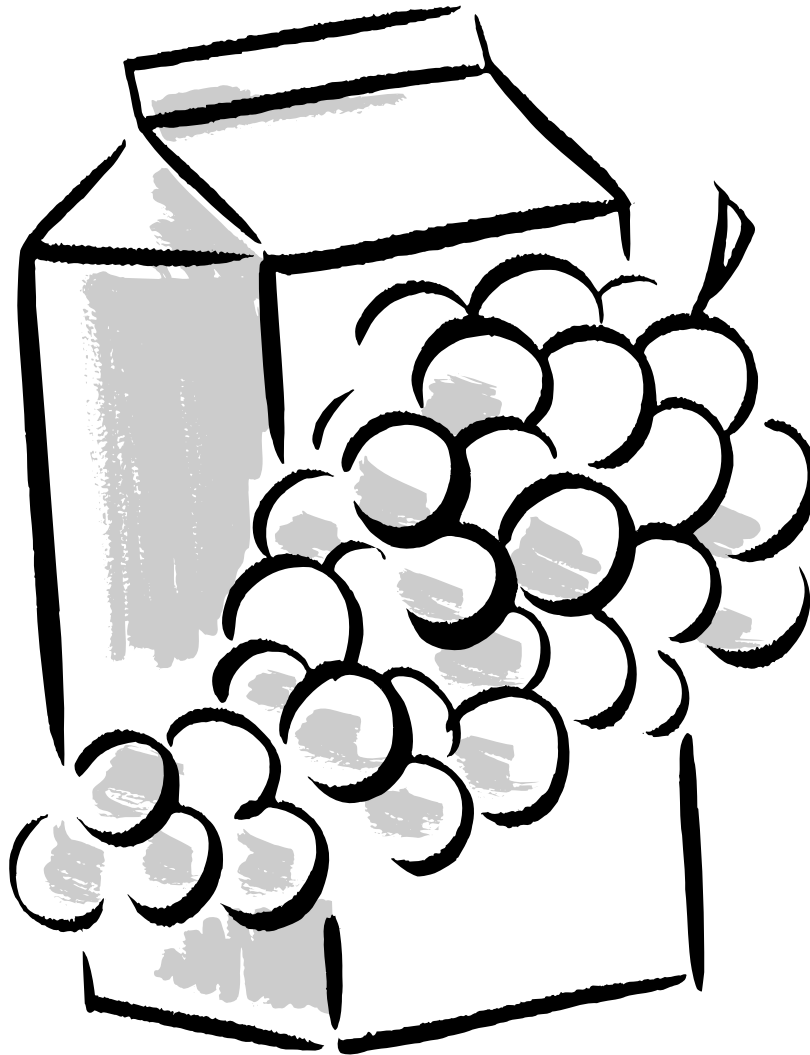
# GUIDE D'INSTALLATION

Réfrigérateurs encastrés côte à côte et superposés

**IMPORTANT :** LIRE ET CONSERVER CES INSTRUCTIONS.  
L'INSTALLATION NÉCESSITE L'INTERVENTION DE 2 PERSONNES OU PLUS.

---

Table of Contents/Índice/Table des matières.....2



2266877

# TABLE OF CONTENTS

<b>REFRIGERATOR SAFETY</b> .....	<b>3</b>
<b>INSTALLATION REQUIREMENTS</b> .....	<b>4</b>
Tools and Parts.....	4
Product Dimensions.....	4
Location Requirements.....	6
Electrical Requirements.....	7
Water Supply Requirements.....	7
Tipping Radius.....	7
Door Swing Dimensions.....	8
Factory Panels and Kits.....	9
Custom Top Grille and Door Panels.....	10
Custom Side Panels.....	12
<b>INSTALLATION INSTRUCTIONS</b> .....	<b>13</b>
Unpack Refrigerator.....	13
Reduce Tipping Radius.....	13
Install Anti-Tip Boards.....	14
Install New Water Line.....	14
Water System Connection.....	15
Plug in Refrigerator.....	15
Move Refrigerator to Final Position.....	16
Lower Leveling Legs.....	16
Install Door Panels.....	16
Level Refrigerator.....	16
Adjust Doors.....	17
Install Decorative Top Panel.....	18
Install Side Panel.....	19
Install Base Grille.....	19
Complete Installation.....	19

# TABLE DES MATIÈRES

<b>SÉCURITÉ DU RÉFRIGÉRATEUR</b> .....	<b>38</b>
<b>EXIGENCES D'INSTALLATION</b> .....	<b>39</b>
Outillage et pièces nécessaires.....	39
Dimensions du produit.....	39
Exigences d'emplacement.....	41
Spécifications électriques.....	42
Spécifications de l'alimentation en eau.....	42
Rayon de basculement.....	42
Dimensions pour le pivotement des portes.....	43
Ensembles de panneaux d'origine.....	44
Panneaux personnalisés de la grille supérieure et de porte.....	45
Panneaux latéraux personnalisés.....	47
<b>INSTRUCTIONS D'INSTALLATION</b> .....	<b>48</b>
Déballage du réfrigérateur.....	48
Réduction du rayon de basculement.....	48
Installation de planches anti-basculement.....	49
Installation d'une nouvelle canalisation d'eau.....	50
Raccordement de la canalisation d'eau.....	50
Brancher le réfrigérateur.....	51
Déplacement du réfrigérateur à l'emplacement final.....	51
Déploiement des pieds de nivellement.....	51
Installation des panneaux de porte.....	51
Nivellement du réfrigérateur.....	52
Ajustement des portes.....	52
Installation du panneau décoratif supérieur.....	54
Installation du panneau latéral.....	54
Installation de la grille de la base.....	55
Achever l'installation.....	55

# ÍNDICE

<b>SEGURIDAD DEL REFRIGERADOR</b> .....	<b>20</b>
<b>REQUISITOS DE INSTALACIÓN</b> .....	<b>21</b>
Piezas y herramientas.....	21
Medidas del producto.....	21
Requisitos de ubicación.....	23
Requisitos eléctricos.....	24
Requisitos de suministro de agua.....	24
Arco de vuelco.....	25
Medidas de oscilación de las puertas.....	25
Paneles y juegos de fábrica.....	26
Paneles a la medida para la rejilla superior y las puertas.....	27
Paneles laterales a la medida.....	29
<b>INSTRUCCIONES DE INSTALACIÓN</b> .....	<b>30</b>
Cómo desempacar su refrigerador.....	30
Cómo reducir el arco de vuelco.....	31
Cómo instalar los tableros anti-vuelco.....	31
Instalación de una tubería de agua nueva.....	32
Cómo conectar el sistema de agua.....	32
Cómo enchufar el refrigerador.....	33
Ubicación final del refrigerador.....	33
Patatas niveladoras inferiores.....	34
Cómo instalar los paneles de la puerta.....	34
Cómo nivelar el refrigerador.....	34
Cómo ajustar las puertas.....	35
Cómo instalar el panel decorativo superior.....	36
Cómo instalar el panel lateral.....	37
Cómo instalar la rejilla de la base.....	37
Cómo terminar la instalación.....	37

# REFRIGERATOR SAFETY

## Your safety and the safety of others are very important.

We have provided many important safety messages in this manual and on your appliance. Always read and obey all safety messages.



This is the safety alert symbol.

This symbol alerts you to potential hazards that can kill or hurt you and others.

All safety messages will follow the safety alert symbol and either the word "DANGER" or "WARNING." These words mean:

**⚠ DANGER**

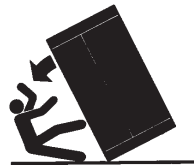
**You can be killed or seriously injured if you don't immediately follow instructions.**

**⚠ WARNING**

**You can be killed or seriously injured if you don't follow instructions.**

All safety messages will tell you what the potential hazard is, tell you how to reduce the chance of injury, and tell you what can happen if the instructions are not followed.

## ⚠ WARNING



### Tip Over Hazard

**Refrigerator is top heavy and tips easily when not completely installed.**

**Keep doors taped closed until refrigerator is completely installed.**

**Use two or more people to move and install refrigerator.**

**Failure to do so can result in death or serious injury.**

# INSTALLATION REQUIREMENTS

## Tools and Parts

### IMPORTANT:

- Observe all governing codes and ordinances.
- Installer: Leave Installation Instructions with the homeowner.
- Homeowner: Keep Installation Instructions for future reference. Save these Installation Instructions for the local electrical inspector's use.
- Keep cardboard shipping piece or plywood under refrigerator until it is installed in the operating position.
- Comply with installation specifications and dimensions.
- Remove any moldings or decorative panels that prevent the refrigerator from being serviced.
- Contact a qualified electrical installer.
- Order factory panels, make custom panels, or consult a qualified cabinetmaker or carpenter to make panels.

### Tools needed:

Make sure that you have the tools necessary for proper installation:

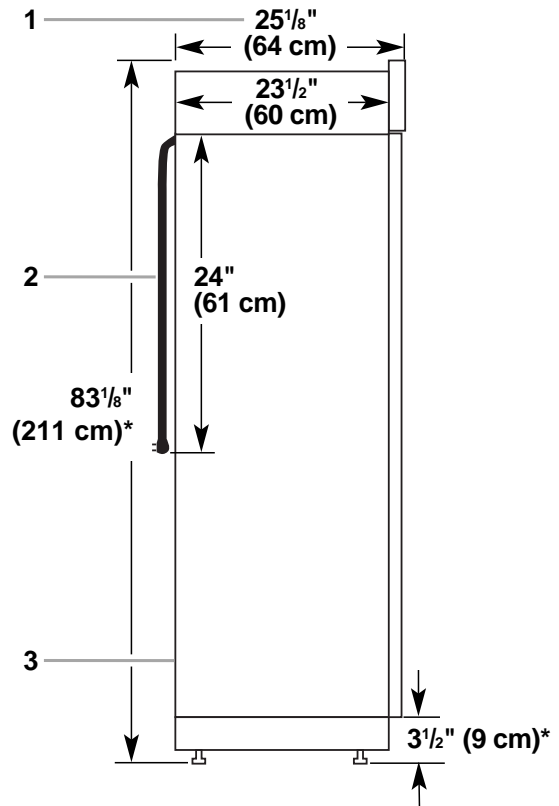
- Hand drill or electric drill (properly grounded)
- Drill bits
- Two adjustable wrenches
- Phillips screwdriver
- $\frac{7}{16}$  in. and  $\frac{1}{2}$  in. open-end wrenches
- $\frac{1}{4}$  in. nut driver
- $\frac{5}{32}$  in. Allen wrench
- $\frac{5}{16}$  in. socket wrench

### Parts needed:

- Your refrigerator dealer has a kit available with a  $\frac{1}{4}$  in. (6.35 mm) saddle-type shutoff valve, a union, and copper tubing.
- $\frac{1}{4}$  in. (6.35 mm) copper tubing with shutoff valve
- $\frac{1}{4}$  in. (6.35 mm) compression fitting
- 6 - #8 x 3 in. (7.6 cm) wood screws (longer screws may be needed)
- 1 or 2 - 2 in. x 4 in. x 32 in. (5 cm x 10 cm x 81 cm) wood board(s)
- Custom panels (provided by homeowner)

## Product Dimensions

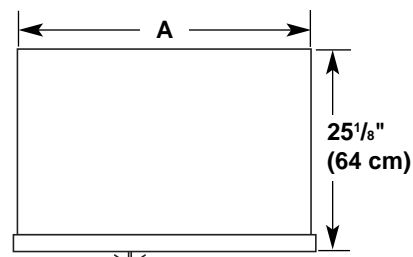
### Side View (All models)



1.  $25 \frac{1}{8}$  in. (64 cm) dimension is to front of top grille
2. Power cord (24 in. [61 cm])
3. 5 ft. (1.5 m) water line tubing taped to back

**NOTE:** (\*) Dimensions shown are for the leg levelers extended  $\frac{1}{8}$  in. (3 mm) below the rollers. For levelers fully extended  $1 \frac{1}{4}$  in. (32 mm) below rollers, add  $1 \frac{1}{8}$  in. (29 mm) to this dimension.

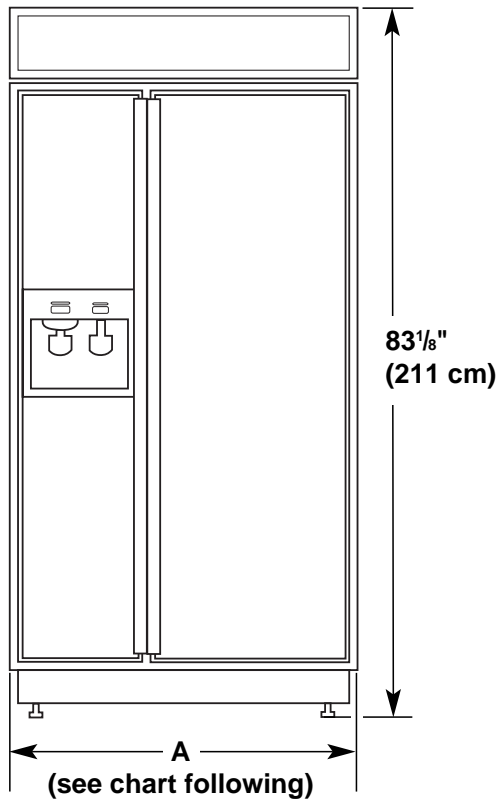
### Top View (All models)



Model	Width A
36 in. (91 cm)	35 in. (89 cm)
42 in. (106 cm)	41 in. (104 cm)
48 in. (122 cm)	47 in. (119 cm)

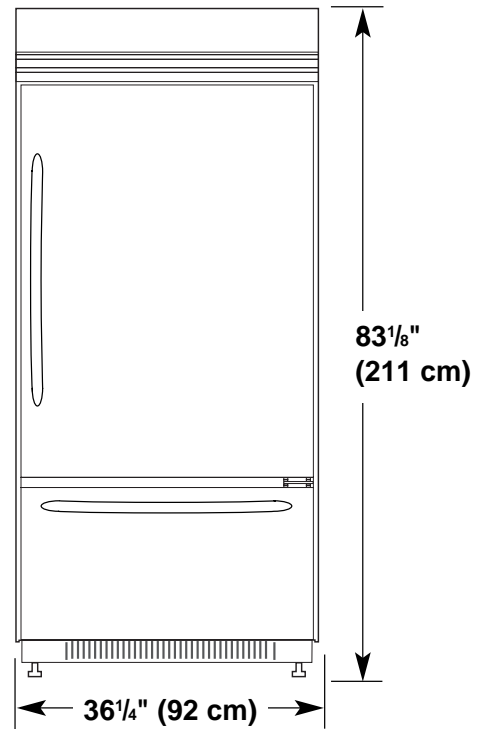
### Front View for Side by Side Models

**NOTE:** Width dimensions shown represent the distance from the outside trim to outside trim.



### Front View for Bottom Mount Models

**NOTE:** Width dimensions shown represent the distance from the outside trim to outside trim.



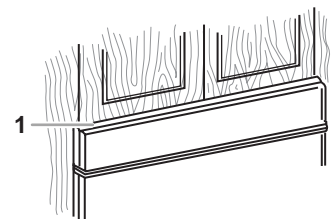
#### Width of Refrigerator:

Model	Width A (as shown above)
36 in. (91 cm)	36 1/4 in. (92 cm)
42 in. (106 cm)	42 1/4 in. (107 cm)
48 in. (122 cm)	48 1/4 in. (123 cm)

### Opening Dimensions

The built-in refrigerator can be installed into a recessed opening in the cabinets or at the end of cabinets using a side panel to enclose the refrigerator side.

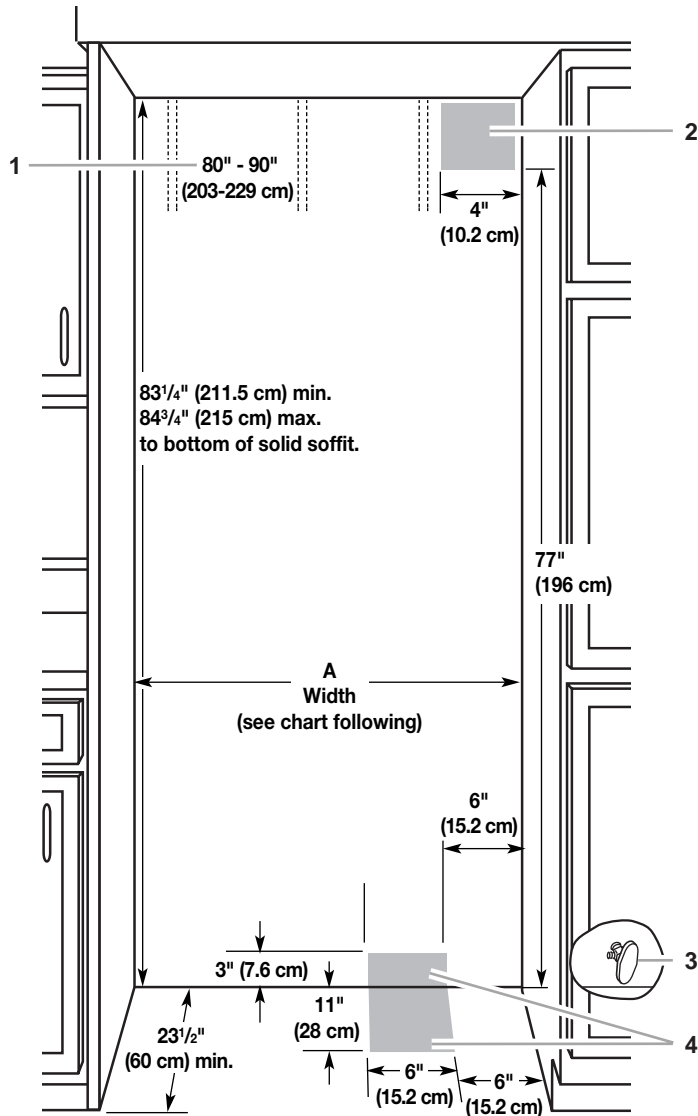
**NOTE:** Installation requires a 1/2 in. (12.7 mm) clearance to remove the top grille and for proper airflow.



1. 1/2 in. (12.7 mm) space required

**Location Preparation:**

1. Wall studs must be located on rear wall 80 in. to 90 in. (203 - 229 cm) above floor.  
**NOTE:** The solid soffit must be within 1 in. (2.5 cm) maximum above the refrigerator. If the solid soffit is higher than 1 in. (2.5 cm) or one is not available, then the refrigerator must be braced to prevent tipping during use. See the "Install Anti-Tip Boards" section.
2. Grounded electrical outlet should be placed in the top shaded area, 4 in. (10.2 cm) from the right side of the cabinets or end panel (see the "Electrical Requirements" section).
3. The water shutoff should be located in the base cabinet on either side of the refrigerator. The right-hand side is recommended. The access hole through the right cabinet must be within 1/2 in. (12.7 mm) of rear wall.
4. A 1/2 in. (12.7 mm) hole for plumbing should be within the bottom shaded area (see the "Water System Connection" section). Water line can be through floor or wall. If the recommended water line location is used, no additional plumbing needs to be purchased.



1. Stud location
2. Grounded electrical outlet location
3. Recommended water shutoff valve location
4. Plumbing hole and water line location (wall or floor)

**Width of Opening:**

Model	Width A (as shown above)
36 in. (91.4 cm)	35 1/2 in. (90.2 cm)
42 in. (106.7 cm)	41 1/2 in. (105.4 cm)
48 in. (121.9 cm)	47 1/2 in. (120.7 cm)

**Location Requirements**

**⚠ WARNING**

**Explosion Hazard**

**Keep flammable materials and vapors, such as gasoline, away from refrigerator.**

**Failure to do so can result in death, explosion, or fire.**

**NOTES:**

- Do not install the refrigerator near an oven, radiator, or other heat source, nor in a location where the temperature will fall below 55°F (13°C).
- Floor must support refrigerator weight, more than 600 lbs. (272 kg), door panels and contents.
- Ceiling height must allow for side or front tipping radius (see the "Tipping Radius" section).
- Location should permit doors to open fully (see the "Door Swing Dimensions" section).

## Electrical Requirements

### **⚠ WARNING**



#### Electrical Shock Hazard

Plug into a grounded 3 prong outlet.

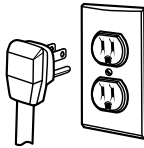
Do not remove ground prong.

Do not use an adapter.

Do not use an extension cord.

Failure to follow these instructions can result in death, fire, or electrical shock.

Before you move your refrigerator into its final location, it is important to make sure you have the proper electrical connection:



#### Recommended grounding method

A 115 Volt, 60 Hz., AC only 15 or 20 ampere fused, grounded electrical supply is required. It is recommended that a separate circuit serving only your refrigerator be provided. Use an outlet that cannot be turned off by a switch. Do not use an extension cord.

**IMPORTANT:** If this product is connected to a GFCI (Ground Fault Circuit Interrupter) protected outlet, nuisance tripping of the power supply may occur, resulting in loss of cooling. Food quality and flavor may be affected. If nuisance tripping has occurred, and if the condition of the food appears poor, dispose of it.

**NOTE:** Before performing any type of installation, cleaning, or removing a light bulb, turn the control (Thermostat, Refrigerator or Freezer Control depending on the model) to OFF and turn OFF the Power On/Off Switch (see "Using the Controls" section in the Use and Care Guide) or disconnect power at the circuit breaker box.

When you are finished, turn ON the Power On/Off Switch (see "Using the Controls" section in the Use and Care Guide) or reconnect power at the circuit breaker box. Then reset the control (Thermostat, Refrigerator or Freezer Control depending on the model) to the desired setting.

## Water Supply Requirements

Read all directions carefully before you begin.

#### IMPORTANT:

- If you turn the refrigerator on before the water line is connected, turn the ice maker OFF.
- All installations must meet local plumbing code requirements.
- Use copper tubing and check for leaks. Install the copper tubing only in areas where the household temperatures will remain above freezing.

**NOTE:** Your refrigerator dealer has a kit available with a ¼ in. (6.35 mm) saddle-type shutoff valve, a union, and copper tubing. Before purchasing, make sure a saddle-type valve complies with your local plumbing codes. Do not use a piercing-type or ⅜ in. (4.76 mm) saddle valve which reduces water flow and clogs more easily.

#### Cold water supply

Connect the ice maker to a cold water line with water pressure between 15 and 100 psi (103 - 690 kPa). If you have questions about your water pressure, call your utility company.

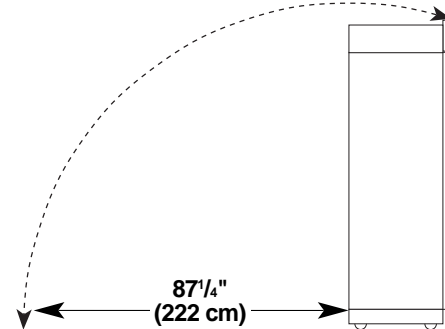
## Tipping Radius

Before bringing refrigerator into home, be sure you have adequate ceiling height to stand refrigerator upright.

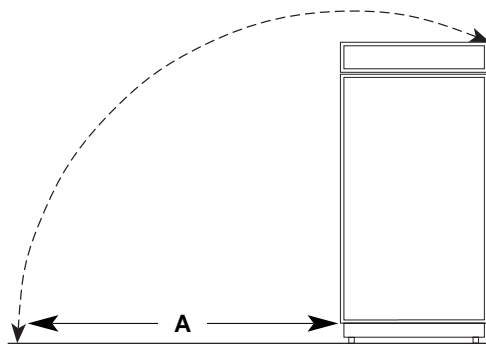
#### NOTES:

- Dolly wheel height must be added to tipping radius when a dolly is used.
- To reduce the tipping radius, see the "Reduce Tipping Radius" section.

#### Forward Tipping Radius (same for all models)



**Side Tipping Radius (see chart following)**



**Side Tipping Radius:**

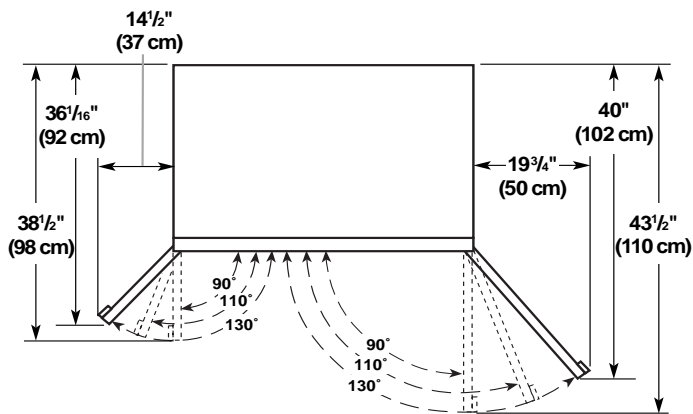
Model	Tipping Radius A
36 in. (91.4 cm)	90½ in. (229.9 cm)
42 in. (106.7 cm)	93 in. (236.2 cm)
48 in. (121.9 cm)	96 in. (243.8 cm)

**Door Swing Dimensions**

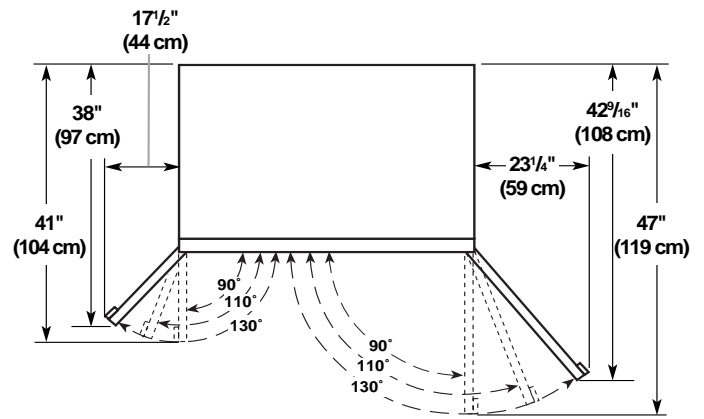
**Side by Side Door Swing Dimensions**

Location must permit doors to open to a minimum of 90°. Allow 4½ in. (11.4 cm) minimum space between refrigerator side and corner wall. To adjust door swing see the “Adjust Doors” section.

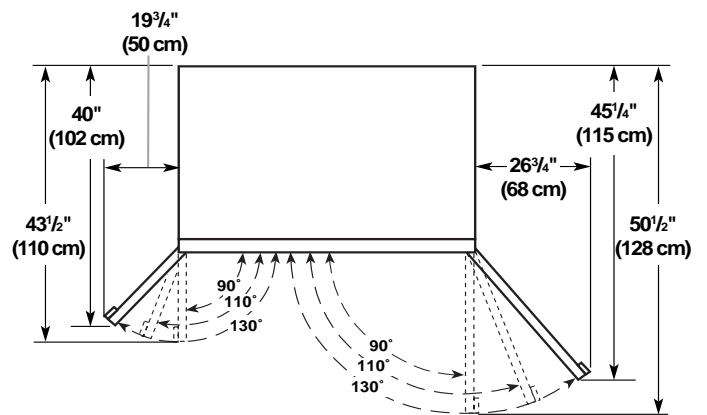
**36 in. (91 cm) Models**



**42 in. (106 cm) Models**



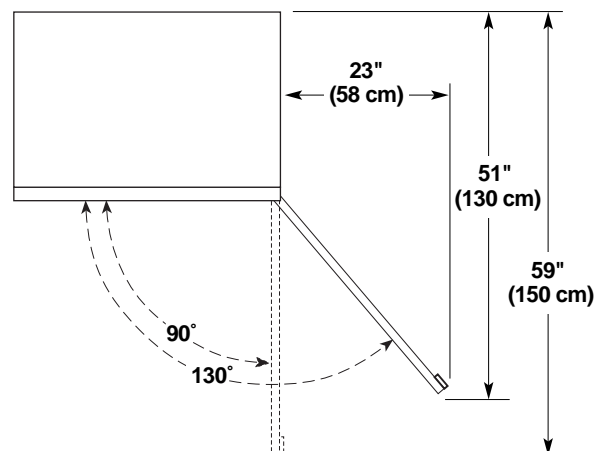
**48 in. (122 cm) Models**



**Bottom Mount Models Door Swing Dimensions**

Location must permit doors to open to a minimum of 90°. For panel models, allow 1 in. (2.5 cm) minimum space between refrigerator side and corner wall. For wraparound models, allow 4½ in. (11.4 cm) minimum space between refrigerator side and corner wall. To adjust door swing see the “Adjust Doors” section.

**36 in. (91 cm) Models**





## Factory Panels and Kits

### Side by Side Panel and Handle Kits

All factory parts are available through your KitchenAid dealer or by calling KitchenAid Parts and Accessories at **1-800-442-9991**.

### Factory Door Panels Kits

Four kits containing colored acrylic or stainless steel door and top grille panels are available. Follow the kit instructions for installing the panels.

**NOTE:** Panel kits are not required for factory-installed stainless steel panel models or wraparound door models.

### Door Panel Part Numbers for Non-dispenser Models

Color	36 in. (91 cm)	42 in. (106 cm)	48 in. (122 cm)
White	#2220852	#2220853	#2220854
Black	#2220855	#2220856	#2220857
Biscuit	#2220858	#2220859	#2220860
Stainless Steel	#2220861	#2220862	#2220863

### Door Panel Part Numbers for Dispenser Models

Color	36 in. (91 cm)	42 in. (106 cm)	48 in. (122 cm)
White	#2220864	#2220865	#2220866
Black	#2220867	#2220868	#2220869
Biscuit	#2220870	#2220871	#2220872
Stainless Steel	#2220873	#2220874	#2220875

### Extended Door Handle Kits

Use extended door handles when additional finger clearance is needed between the door handles and custom panel. Follow the kit instructions for installing the door handles.

Color	Part Number
White	#4387990
Black	#8171418
Biscuit	#8171417
Stainless Steel	#4388062
Matte Aluminum	#4387989

### Bottom Mount Panel Top Grille and Handle Kits

All factory parts are available through your KitchenAid dealer or by calling KitchenAid Parts and Accessories at **1-800-442-9991**.

### Factory Door Panels Kits

Four kits containing colored acrylic or stainless steel door and top grille panels are available. Follow the kit instructions for installing the panels.

**NOTE:** Panel kits are not required for factory-installed stainless steel panel models or wraparound door models.

### Door Panel Part Numbers for 36 in. Panel Models

Color	36 in. (91 cm)
White	#2220952
Black	#2220953
Biscuit	#2220954
Stainless Steel	#2220955

### Top Grille Kit

72 in. (183 cm) wide Top Grille Panel Kits are available. These kits allow 2 units (one left-hand swing and one right-hand) to be installed side by side with a single grille.

### Top Grille Kit for Panels Models

Color	72 in. (183 cm)
White	#2220927
Black	#2220928
Biscuit	#2220929
Stainless Steel	#2220876

### Top Grille Kit for Wraparound Models

Color	Part Number
Black	#2220960
Stainless Steel	#2220877

### Extended Door Handle Kits

Use extended door handles when additional finger clearance is needed between the door handles and custom panel. Follow the kit instructions for installing the door handles.

Color	Left-Hand Swing	Right-Hand Swing
White	#4396119	#8171424
Black	#4396116	#8171427
Biscuit	#4396117	#8171426
Stainless Steel	#4396118	#8171425
Matte Aluminum	#4396120	#8171423

## Custom Top Grille and Door Panels

If you plan to install custom wood panels, you will need to create the panels yourself or consult a qualified cabinetmaker or carpenter. See dimensional drawings for panel specifications.

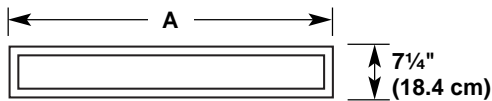
**IMPORTANT:** Panels weighing more than recommended may cause damage to your refrigerator.

**NOTE:** Dimensions shown have a ( $\pm$ )  $\frac{1}{16}$  in. (1.5 mm) tolerance. Panels that are more than  $\frac{1}{4}$  in. (6 mm) thick must be routed. If panels are less than  $\frac{1}{4}$  in. (6 mm) thick, install a filler panel between doors and decorative panels.

### Side by Side Custom Top Grille and Door Panels

#### Top Grille Panel

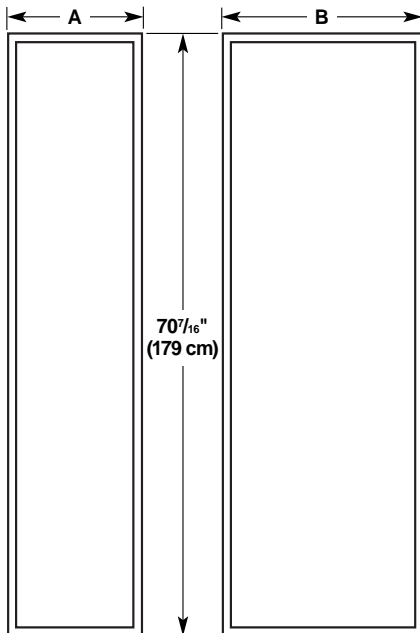
The top panel should not weigh more than 10 lbs. (4.5 kg).



Model	A
36 in. (91 cm)	35 $\frac{3}{8}$ in. (90 cm)
42 in. (106 cm)	41 $\frac{3}{8}$ in. (105 cm)
48 in. (122 cm)	47 $\frac{3}{8}$ in. (120 cm)

#### Door Panels for Non-dispenser Models

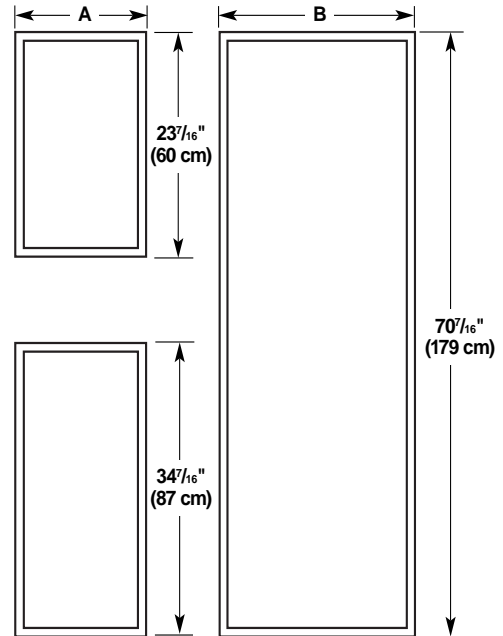
The freezer panel should not weigh more than 30 lbs. (13.5 kg).  
The refrigerator panel should not weigh more than 50 lbs. (23 kg).



Model	A	B
36 in. (91 cm)	14 $\frac{1}{4}$ in. (36 cm)	19 $\frac{1}{4}$ in. (49 cm)
42 in. (106 cm)	16 $\frac{3}{4}$ in. (43 cm)	22 $\frac{3}{4}$ in. (58 cm)
48 in. (122 cm)	19 $\frac{1}{4}$ in. (49 cm)	26 $\frac{1}{4}$ in. (67 cm)

#### Door Panels for Dispenser Models

The two freezer panels combined should not weigh more than 30 lbs. (13.5 kg). The refrigerator panel should not weigh more than 50 lbs. (23 kg).

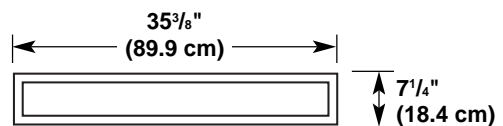


Model	A	B
36 in. (91 cm)	14 $\frac{1}{4}$ in. (36 cm)	19 $\frac{1}{4}$ in. (49 cm)
42 in. (106 cm)	16 $\frac{3}{4}$ in. (43 cm)	22 $\frac{3}{4}$ in. (58 cm)
48 in. (122 cm)	19 $\frac{1}{4}$ in. (49 cm)	26 $\frac{1}{4}$ in. (67 cm)

### Bottom Mount Custom Top Grille and Door Panels

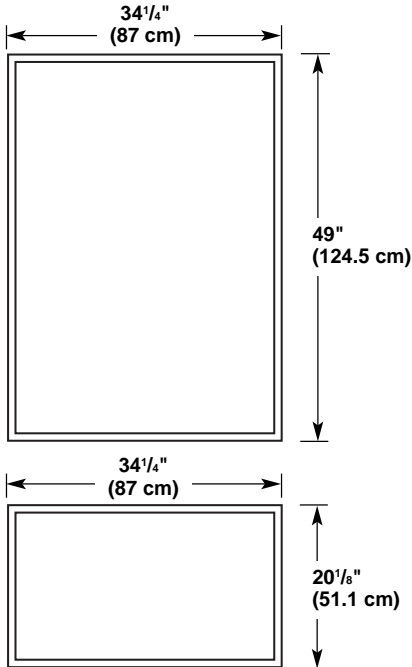
#### Top Grille Panel

The top panel should not weigh more than 10 lbs. (4.5 kg).

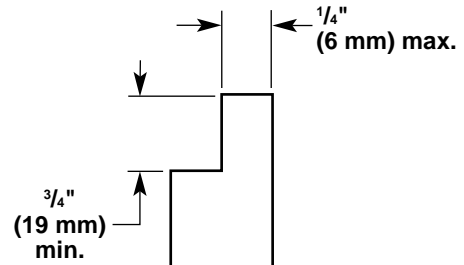


## Refrigerator and Freezer Door Panels

The freezer panel should not weigh more than 20 lbs. (9 kg). The refrigerator panel should not weigh more than 60 lbs. (27 kg).

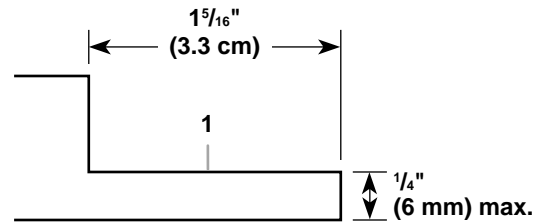


## Dimension for Routing Top Grille Panel Top and Bottom Edges (Side View)



1. Top grille panel

## Dimensions for Routing Top Grille Panel Left and Right Edges (Side View)



1. Top grille panel

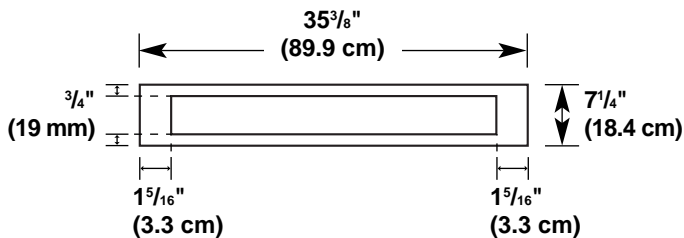
## Routing for Custom Top Grille and Door Panels (all models)

Custom Panels more than 1/4 in. (6 mm) thick, must be edge routed 1/4 in. (6 mm) thick to fit into the trim on the product.

## Top Grille Panel Routing

Top and bottom edges of the top panel should be edge routed 3/4 in. (19 mm) and both ends should be edge routed 1 5/16 in. (3.3 cm) as shown.

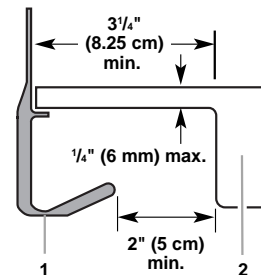
## Dimensions for Routing Top Grille Panel Edges (Front View)



## Door Panel Routing

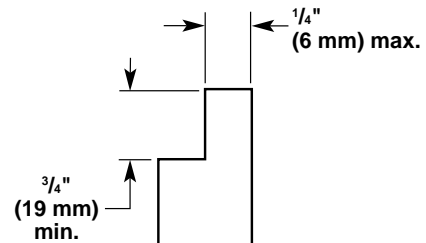
Rout entire areas of the handle side of panels 3 1/4 in. (8.25 cm).

## Dimensions for Routing Handle Side of Door Panel (End View)



1. Handle  
2. Door panel

## Dimensions for Routing Door Panel (Side View)

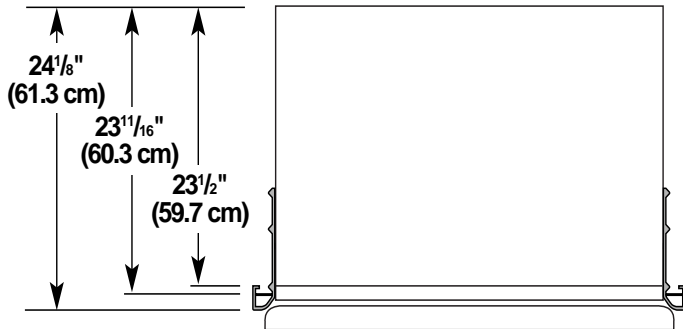


1. Door panel

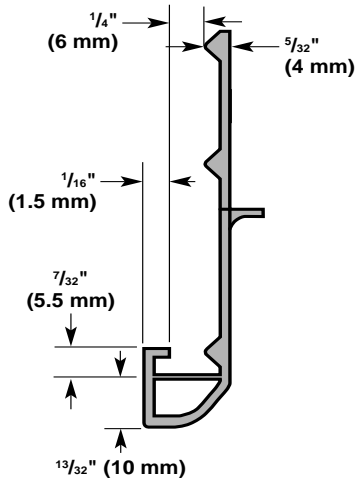
# Custom Side Panels

## Side by Side and Bottom Mount Side Panels

Width and height of side panel is determined by installation type. Side panel should be a minimum of  $\frac{1}{2}$  in. (12 mm) thick to prevent warping. The dimensions shown are actual product dimensions and may not reflect the needed installation dimensions. Install side panel (optional) support board on rear wall if opening depth is 25 in. (63.5 cm) or more.

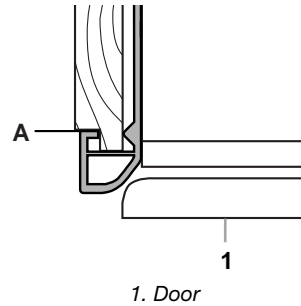


### End View of Side Trim Dimensions:



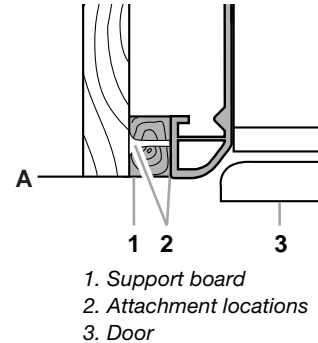
### Inset Side Panel

1. Measure the distance from point A (as shown) to back wall. Add  $\frac{7}{32}$  in. (5.6 mm) to this measurement for side panel to fit into trim.
2. If panel is more than  $\frac{1}{4}$  in. (6 mm) thick, rout front edge of panel to fit trim piece.



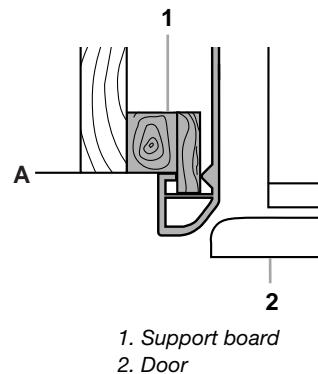
### Flush Side Panel

1. Measure the distance from point A (as shown) to back wall.
2. Attach support board with screw or adhesive that is compatible with aluminum and wood.



### Recessed Inset Side Panel

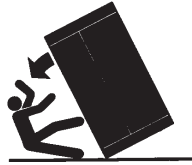
1. Measure the distance from point A (as shown) to back wall.
2. Rout front edge of support board or attach  $\frac{1}{4}$  in. (6 mm) board for retention in cabinet side trim.



# INSTALLATION INSTRUCTIONS

## Unpack Refrigerator

### ⚠ WARNING



#### Tip Over Hazard

Refrigerator is top heavy and tips easily when not completely installed.

Keep doors taped closed until refrigerator is completely installed.

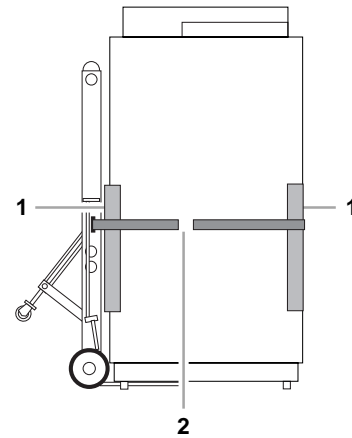
Use two or more people to move and install refrigerator.

Failure to do so can result in death or serious injury.

#### IMPORTANT:

- Do not lower the refrigerator against the shipping base when removing the shipping base.
  - Do not remove protective film until refrigerator is in operating position.
  - All four leveling legs must contact the floor to support and stabilize the full weight of the refrigerator.
  - Keep cardboard shipping piece or plywood under refrigerator until it is installed in the operating position.
1. Remove and save literature package and parts bag taped to refrigerator door. Remove four brackets (two on each side) attaching shipping base to refrigerator bottom.  
**NOTE:** Do not remove tape and door bracing until refrigerator is in final position.
  2. Place appliance dolly under the freezer side of the refrigerator. Pass the dolly strap under the handles then loosely wrap dolly strap around refrigerator. Insert carton

corner posts between strap and side trim. Carefully tighten strap, making sure side trim is protected.



1. Corner posts over side trim
2. Corner posts over handle

3. Place pieces of shipping carton on the floor when rolling the dolly and refrigerator into the house. Move refrigerator close to built-in opening.

## Reduce Tipping Radius (if required)

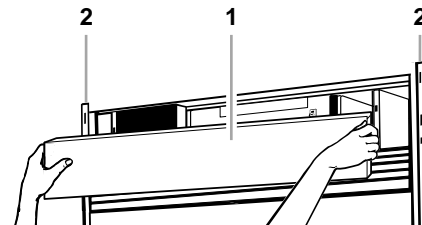
If you do not have adequate ceiling height to stand refrigerator upright, the tipping radius can be reduced by removing the top grille and side trims (see the following chart).

Model	Reduced Tipping Radius
36 in. (91.4 cm)	88 in. (223.5 cm)
42 in. (106.7 cm)	88½ in. (224.8 cm)
48 in. (121.9 cm)	89¼ in. (226.7 cm)

**NOTE:** To avoid hitting the compressor housing on the ceiling, the refrigerator must be raised up by first placing the left bottom edge of the refrigerator on floor, standing the refrigerator upright, and then lowering the right side of the refrigerator down to the floor.

#### Panel Models

1. Grasp both ends of top grille assembly.
2. Push top grille assembly straight up, then pull straight out. Lay grille assembly on a soft surface.



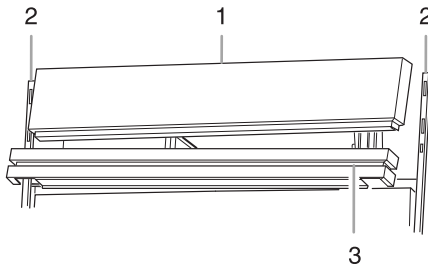
1. Top grille
2. Cabinet side trim

3. Remove the 6 screws attaching each cabinet side trim to the refrigerator and remove the side trims.

4. Stand the refrigerator by first placing the left bottom edge of the refrigerator on floor, standing the product upright and then lowering the right side of the refrigerator down to the floor.
5. Reassemble the trim and top grille after dolly has been removed from refrigerator.

#### Wraparound models

1. Grasp both ends of louver panel. Push louver panel straight up, then pull straight out. Lay the panel on a soft surface.
2. Grasp both ends of the top grille. Push top grille straight up, then pull straight out. Lay the top grille on a soft surface.



1. Top grille
2. Cabinet side trim
3. Louver panel

3. Remove the 6 screws attaching each cabinet side trim to the refrigerator and remove the side trims.
4. Stand the refrigerator up by first placing the left bottom edge of the refrigerator on floor, standing the product upright and then lowering the right side of the refrigerator down to the floor.
5. Reassemble the trim and top grille after dolly has been removed from refrigerator.

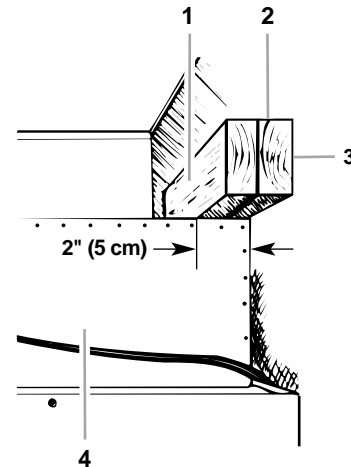
## Install Anti-Tip Boards

#### IMPORTANT:

- The solid soffit must be within 1 in. (2.5 cm) maximum above the refrigerator. If the solid soffit is higher than 1 in. (2.5 cm) or one is not available, prevent the refrigerator from tipping during use as shown.
- It is recommended that board(s) be installed before refrigerator is installed.
- Board(s) must be long enough to fully cover width of compressor cover.
- Locate the board(s) so the bottom surface of the board(s) are 84 in. (213 cm) from the floor.
- During installation, raise the refrigerator up so there is ¼ in. (6.4 mm) maximum between top of the refrigerator and bottom of anti-tip board(s). Do not crush the condenser cover when raising the rear leveling legs.

#### To install anti-tip boards

1. Mark stud locations on rear wall 80 in. to 90 in. (203 - 229 cm) above floor.
2. Securely attach one or two 2 in. x 4 in. x 32 in. (5 cm x 10 cm x 81 cm) wood boards to wall studs behind refrigerator. Use 6 - #8 x 3 in. (7.6 mm) (or longer) wood screws. The wood screws must be screwed into the studs at least 1½ in. (3.8 cm). The board(s) must overlap the compressor cover.



1. Center board ¼ in. (6 mm) max. above refrigerator
2. Two, 2 in. x 4 in. x 32 in. (5 cm x 10 cm x 81 cm) boards
3. Attach to studs with 6 - #8 x 3 in. (7.6 cm) screws
4. Compressor cover

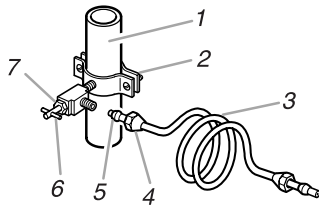
## Install New Water Line (if required)

**Tools required:** Flat-blade screwdriver, 7/16 in. and ½ in. open-end wrenches or two adjustable wrenches, ¼ in. nut driver and drill bit, hand drill or electric drill (properly grounded).

1. Unplug refrigerator or disconnect power.
2. Turn OFF main water supply. Turn ON nearest faucet long enough to clear line of water.
3. Find a ½ in. to 1¼ in. (12.7 mm to 3.18 cm) vertical COLD water pipe near the refrigerator.
 

**NOTE:** Horizontal pipe will work, but drill on the top side of the pipe, not the bottom. This will help keep water away from the drill and normal sediment from collecting in the valve.
4. Determine the length of copper tubing you need. Measure from the connection on the lower left rear of refrigerator to the water pipe. Add 7 ft. (2.1 m) to allow for cleaning. Use ¼ in. (6.35 mm) O.D. (outside diameter) copper tubing. Be sure both ends of copper tubing are cut square.

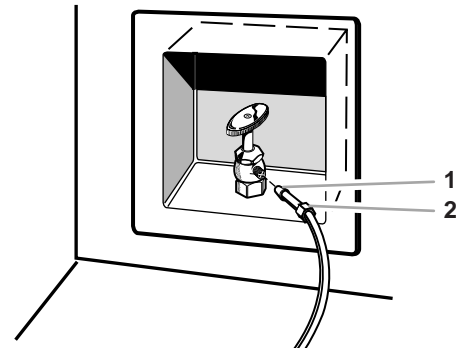
- Using a grounded drill, drill a 1/4 in. hole in the cold water pipe you have selected.



- Cold water pipe
- Pipe clamp
- Copper tubing
- Compression nut
- Compression sleeve
- Shutoff valve
- Packing nut

- Fasten the shutoff valve to the cold water pipe with the pipe clamp. Be sure the outlet end is solidly in the 1/4 in. drilled hole in the water pipe and that the washer is under the pipe clamp. Tighten the packing nut. Tighten the pipe clamp screws carefully and evenly so washer makes a watertight seal. Do not overtighten or you may crush the copper tubing.
- Slip the compression sleeve and compression nut on the copper tubing as shown. Insert the end of the tubing into the outlet end squarely as far as it will go. Screw compression nut onto outlet end with adjustable wrench. Do not overtighten.
- Place the free end of the tubing in a container or sink, and turn ON the main water supply. Flush the tubing until water is clear. Turn OFF the shutoff valve on the water pipe. Coil the copper tubing.
- Route copper tubing to the refrigerator.

Push the bulb end of the tubing into the water valve as far as it will go. Slide the nut forward and finger tighten. Tighten the nut by hand. Then tighten it with a wrench two more turns. Do not overtighten.



- Bulb
- Nut (provided)

- Turn shutoff valve ON.
- Check for leaks. Tighten any nuts or connections (including connections at the valve) that leak.

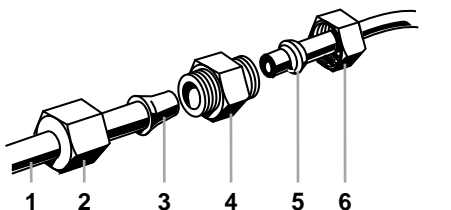
## Water System Connection

- Remove the shipping tape from the gray, coiled water tubing on the rear of the refrigerator.
- Before attaching copper tubing to the refrigerator, flush at least 2 quarts (1.9 L) of water through the copper tubing and into a bucket to get rid of any particles in the water line.
- Check for leaks around the saddle valve. Do not overtighten clamp or sleeve. This will crush the copper tubing.
- Make connection to the refrigerator.

### Style 1 - Connecting to a Water Line:

**Additional Parts Needed:** Coupling, ferrule and nut.

Slide the purchased nut, then the purchased ferrule onto the tubing. Push the tubing into the purchased coupling as far as it will go. Slide the nut and ferrule forward. Tighten the nut by hand. Then tighten it with a wrench two more turns. Do not overtighten.



- Line to refrigerator
- Nut (provided)
- Bulb
- Coupling (purchased)
- Ferrule (purchased)
- Nut (purchased)

### Style 2 - Connecting to a Water Valve:

**NOTE:** The water shutoff should be located in the base cabinet on either side of the refrigerator. The right-hand side is recommended. The access hole through the right cabinet must be within 1/2 in. (12.7 mm) of rear wall.

## Plug in Refrigerator

### ! WARNING



#### Electrical Shock Hazard

**Plug into a grounded 3 prong outlet.**

**Do not remove ground prong.**

**Do not use an adapter.**

**Do not use an extension cord.**

**Failure to follow these instructions can result in death, fire, or electrical shock.**

- Set control switch at top of cabinet to the OFF position.
- Plug into a grounded 3 prong outlet.

---

## Move Refrigerator to Final Position

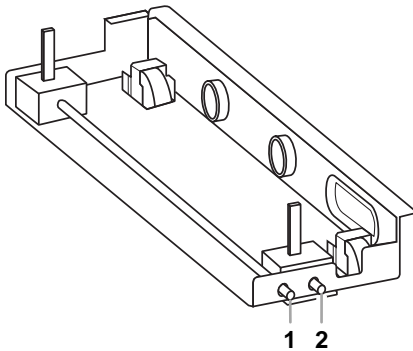
**IMPORTANT:** To prevent floor damage, make sure levelers are raised (not touching floor) and refrigerator is on rollers before moving.

1. Place top of cardboard carton or plywood under refrigerator. Remove dolly.
  2. Do not remove protective film.
  3. Move the refrigerator straight back and evenly into the opening. Check to make sure that water tubing is not kinked and power supply cord is on top of refrigerator next to the cover.
- 

## Lower Leveling Legs

**NOTE:** All four leveling legs must contact the floor to support and stabilize the full weight of refrigerator. Rollers are for moving refrigerator and not for permanent support.

Use socket wrench to turn leg levelers on both sides of refrigerator to the right (clockwise) until refrigerator weight is supported by leveling legs. The rollers should be off the floor. To avoid cabinet damage, do not apply more than 50 in./lbs. (58 cm/kg) of torque to the leveling legs.



1. Rear leveling legs
2. Front leveling legs

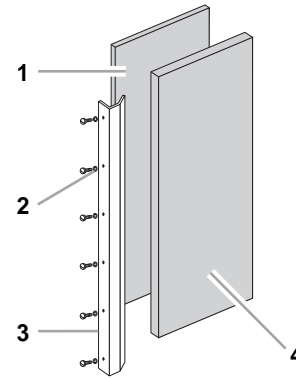
---

## Install Door Panels

### Panel Models:

1. Remove all tape and door bracing from refrigerator and freezer doors. Remove screws attaching handles to door frame.
2. Slide decorative door panels into door frames.

3. If needed, route door panels or install a filler panel between doors and decorative panels. See the "Custom Top Grille and Door Panels" section.



1. Filler panel
2. Nylon washer
3. Door handle
4. Door panel

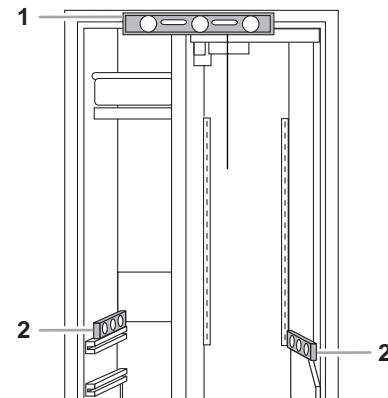
4. Replace door handles. Check that the top of both door handles are aligned.
  5. If door handles are not aligned, loosen all handle screws and adjust door handles up or down. Tighten screws. If any of the door screws are damaged, replace them with additional screws provided in the parts package.
- 

## Level Refrigerator

**NOTE:** Door panels must be installed before leveling.

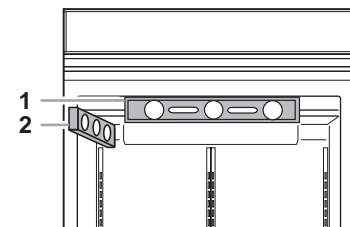
1. Open the doors and place the level on top of the refrigerator frame as shown. Check to see whether the refrigerator is level from left to right.

### Side by Side



1. Level to check left to right leveling
2. Level to check front to back leveling

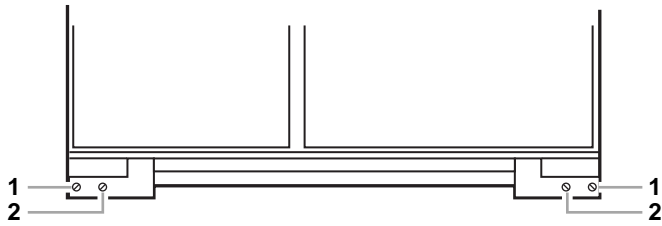
### Bottom Mount



1. Level to check left to right leveling
2. Level to check front to back leveling



- Use the leveling bolts to adjust the leveling legs until the refrigerator is level from left to right.



1. Rear leveling bolt  
2. Front level bolt

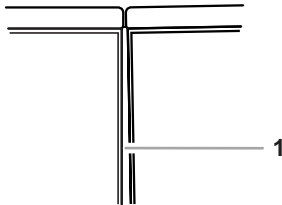
- Place the level(s) on shelf or shelves as shown. Check to see whether the refrigerator is level from front to back.
- Use the leveling bolts to adjust the leveling legs until the refrigerator is level from front to back.
- Be sure that all four leveling legs contact the floor and support the full weight of the refrigerator.
- Make final check to ensure the refrigerator is level.

## Adjust Doors

### Door Alignment

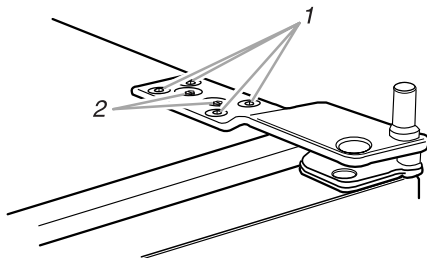
Use the following steps to adjust door alignment if doors need to be adjusted left, right, in or out.

- Inspect spacing of the gap between the freezer door and the refrigerator door. Make sure the spacing between the doors is the same distance at the top and the bottom.



1. Uneven door gap

- If the door gap is uneven, the side trim must be removed to see the entire door gasket liner. Remove the six Phillips screws holding side trim.
- Loosen the four T27 flat-head mounting screws on top of both hinges. Loosen the two 1/4 in. hex-head mounting screws. Loosen screws to the point that the hinge is movable, but there is friction when trying to move the hinge.



1. T27 6-point drive flat-head mounting screws  
2. 1/4 in. hex-head mounting screws

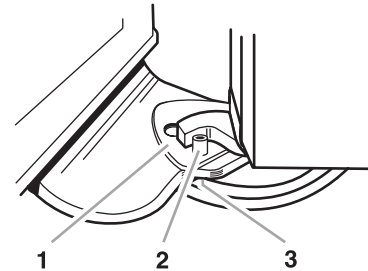
- Adjust the hinges so that the door gap is the same distance at the top as it is at the bottom. The bottom distance should be used as the template for the top.
- Check the side door gasket gap. Make sure that the distance is the same at the top and the bottom. Adjust the hinges, if necessary.

- Recheck the front door gap spacing to ensure it is still aligned and even.
- Tighten down the mounting screws on both hinges.
- Reinstall the side door trims.

### Door Height Adjustment

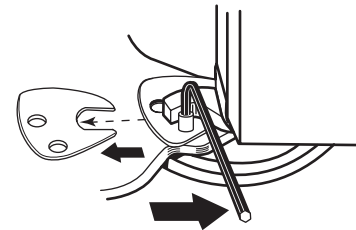
Use the following steps to adjust the door height, up or down, after the doors have been leveled.

- Open the freezer or refrigerator door and locate the hinge assembly at the bottom of the door needing to be adjusted.

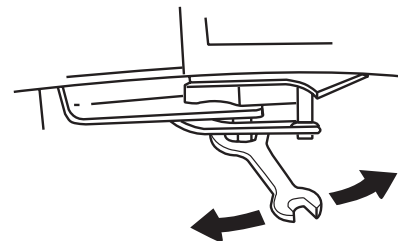


1. Locking plate  
2. Door stop screw  
3. Bushing

- Remove the door stop screw from the bottom door hinge using the Allen wrench. Remove locking plate as shown.

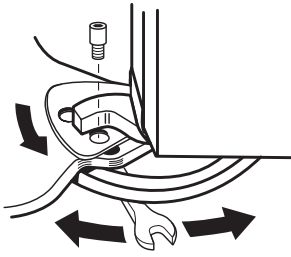


- Turn the bushing located underneath the bottom of the hinge using the open-end wrench. Turning the bushing to the left (counterclockwise) will raise the door. Turning the bushing right (clockwise) will lower the door.



- After adjusting, check the doors to make sure they are even at the top and bottom. If the doors are not even, continue to turn the bushing to adjust the door height.
- Replace the locking plate.
- Turn the bushing slightly to align the hinge and locking plate screw holes.

- Replace the door stop screw and tighten.



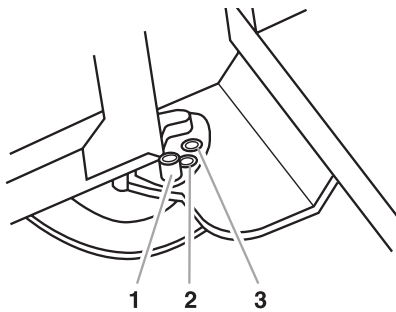
- Make final recheck to make sure the doors are aligned and even.

### Door Swing Adjustment

- Check that the refrigerator door can open freely. If the door opens too wide, remove the door stop screw from the bottom hinge. Hold the door open to a position that is less than 90°.
- Replace the door stop screw in the bottom hinge and tighten the screw.

#### Side by Side:

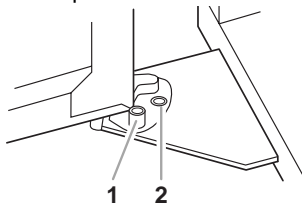
Replace the door stop screw in the 110° or 90° door stop position.



- 130° position
- 110° position
- 90° position

#### Bottom Mount:

Replace the door stop screw in the 90° door stop position.



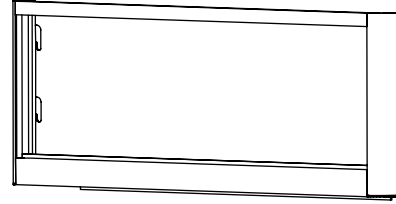
- 130° position
- 90° position

If the door does not clear countertop after the door has been adjusted, the countertops may have to be mitered.

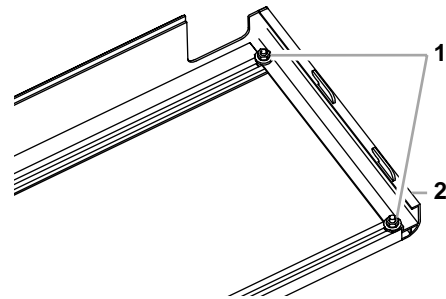
## Install Decorative Top Panel

### Adding a Decorative Panel to the Top Grille Assembly

- Grasp both ends of the top grille assembly.
- Push top grille assembly frame straight up, then pull straight out. Lay assembly on soft surface.

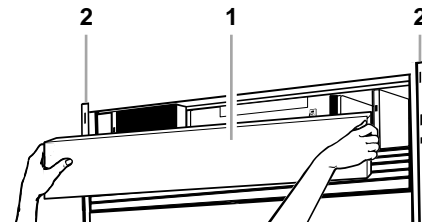


- Remove nuts and side trim from right side of the top grille assembly frame. Insert decorative panel into frame. Reattach side trim and nuts.



- Nuts
- Top grille side trim

- Reattach top grille assembly by inserting hooks (located on the back of the top grille) into the slots on the side trim. Pull panel down slightly to lock into place.



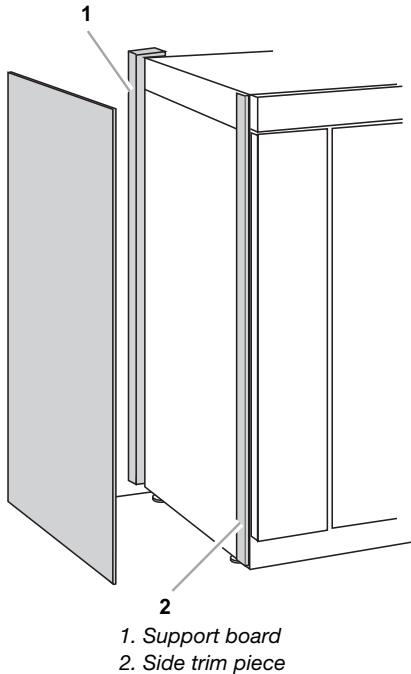
- Top grille
- Cabinet side trim

**IMPORTANT:** KitchenAid is not responsible for the removal or addition of molding or decorative panels that would prevent the refrigerator from being serviced.

## Install Side Panel

If built-in area depth is 25 in. (63.5 cm) or more, side panels can be installed inside the side trim or attached to the outside of the side trim.

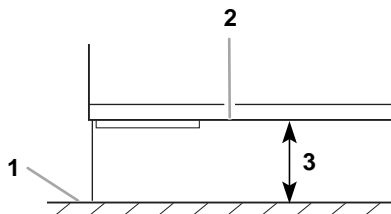
1. For inside side trim piece, slide front edge of routed side panel into trim piece.
2. Nail rear edge of panel to support board.



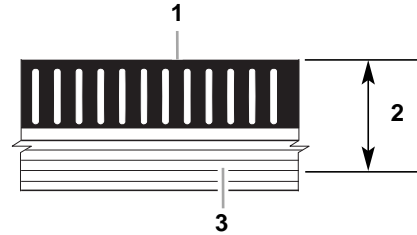
**IMPORTANT:** KitchenAid is not responsible for the removal or addition of molding or decorative panels that would prevent the refrigerator from being serviced.

## Install Base Grille

1. Remove base grille, skirt and two screws from package taped to front of refrigerator.
2. Open refrigerator door and measure the distance from the bottom of refrigerator cabinet to the floor.



3. Measure this same distance from the top of the bottom grille to the closest "V" groove on the grille skirt. Use a knife to score down the "V" groove and break skirt at the score line.



1. Grille and skirt assembly
2. Measured distance from above in step 2
3. Score "V" groove

4. Slide skirt assembly onto bottom grille.
5. Attach the bottom grille and skirt assembly to the cabinet with the two screws.

## Complete Installation

1. Turn water supply line valve to "Open" position.
2. Turn refrigerator switch to ON position. Wait a few minutes. Check water line connections for leaks.
3. Open appliance doors and remove all boxes, parts packages and packing materials. See the "Cleaning" section in the Use and Care Guide for instructions. Remove protective film from door frame.
4. Install shelves and bins in refrigerator and freezer compartments.
5. Set refrigerator and freezer compartment controls to the midpoint setting. Check that the compressor is operating properly and that all lights are working.
6. Flush water system before using. See the "Water System Prep" section in the Use and Care Guide.

**NOTE:** If construction will continue after refrigerator has been installed, set controls to OFF.

To get the most efficient use from your new built-in refrigerator, read your Use and Care Guide. Keep Installation Instructions and Guide near the built-in refrigerator for easy reference.

# SEGURIDAD DEL REFRIGERADOR

## Su seguridad y la seguridad de los demás es muy importante.

Hemos incluido muchos mensajes importantes de seguridad en este manual y en su electrodoméstico. Lea y obedezca siempre todos los mensajes de seguridad.



Este es el símbolo de advertencia de seguridad.

Este símbolo le llama la atención sobre peligros potenciales que pueden ocasionar la muerte o una lesión a usted y a los demás.

Todos los mensajes de seguridad irán a continuación del símbolo de advertencia de seguridad y de la palabra "PELIGRO" o "ADVERTENCIA". Estas palabras significan:

**! PELIGRO**

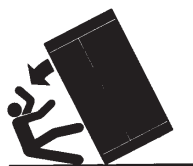
Si no sigue las instrucciones de inmediato, usted puede morir o sufrir una lesión grave.

**! ADVERTENCIA**

Si no sigue las instrucciones, usted puede morir o sufrir una lesión grave.

Todos los mensajes de seguridad le dirán el peligro potencial, le dirán cómo reducir las posibilidades de sufrir una lesión y lo que puede suceder si no se siguen las instrucciones.

**! ADVERTENCIA**



### Peligro de Vuelco

El refrigerador puede volcarse cuando está siendo instalado debido a que la parte superior es pesada.

Mantenga las puertas cerradas con cinta hasta que el refrigerador esté completamente instalado.

Use dos o más personas para mover e instalar el refrigerador.

No seguir estas instrucciones puede ocasionar la muerte o herida seria.

# REQUISITOS DE INSTALACIÓN

## Piezas y herramientas

### IMPORTANTE:

- Cumpla con todos los códigos y reglamentos pertinentes.
- Instalador: Deje las Instrucciones de instalación con el propietario.
- Propietario: Conserve las Instrucciones de instalación para referencia futura. Guarde estas instrucciones de instalación para tenerlas a disposición del inspector de electricidad local.
- Ponga un tramo de cartón de empaque o de madera contrachapada debajo del refrigerador hasta que lo instale en su ubicación para el funcionamiento.
- Cumpla con las especificaciones y medidas de instalación.
- Quite las molduras o los paneles decorativos que impidan que se le pueda dar servicio al refrigerador.
- Contacte a un instalador electricista calificado.
- Solicite los paneles de fábrica, hágalos a la medida o consulte con un carpintero o fabricante de gabinetes calificado para elaborar los paneles.

### Herramientas requeridas:

Asegúrese que tiene las herramientas requeridas para una instalación adecuada:

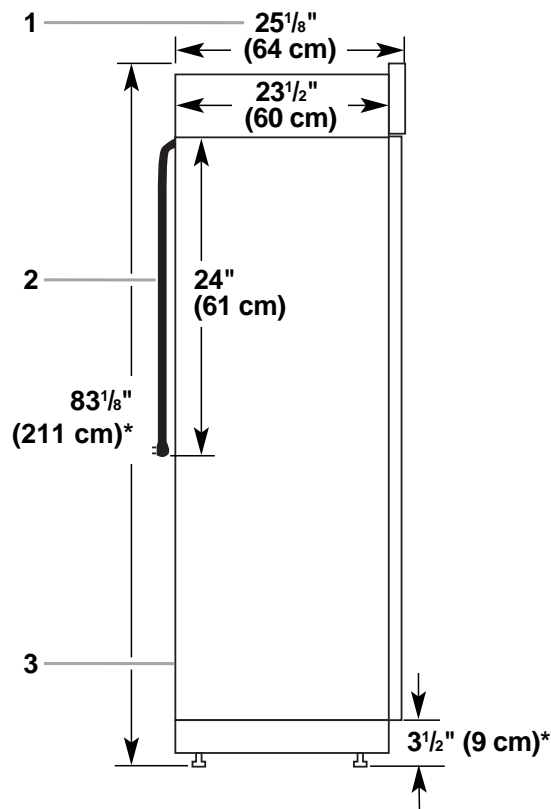
- |   |  |
|---|--|
| ■ Taladro manual o eléctrico (debidamente conectado a tierra) | ■ Llaves de boca de $\frac{7}{16}$ pulg. y $\frac{1}{2}$ pulg. |
| ■ Brocas  | ■ Destornillador de tuercas de $\frac{1}{4}$ pulg.             |
| ■ Dos llaves ajustables                                       | ■ Llave Allen de $\frac{5}{32}$ pulg.                          |
| ■ Destornillador Phillips                                     | ■ Llave de cubo de $\frac{5}{16}$ pulg.                        |

### Piezas necesarias:

- El distribuidor de su refrigerador dispone de un juego de válvula de cierre tipo montura de  $\frac{1}{4}$  pulg. (6,35 mm), una unión y tubería de cobre.
- Tubería de cobre de  $\frac{1}{4}$  pulg. (6,35 mm) con una válvula de cierre
- Aditamento de compresión de  $\frac{1}{4}$  pulg. (6,35 mm)
- 6 tornillos de madera #8 x 3 pulg. (7,6 cm) (podría necesitarse más largos)
- 1 ó 2 tableros de madera de 2 pulg. x 4 pulg. x 32 pulg. (5 cm x 10 cm x 81 cm)
- Paneles a la medida (provistos por el propietario)

## Medidas del producto

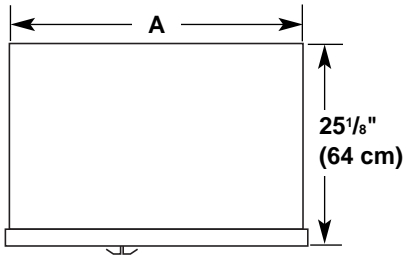
### Vista lateral (Todos los modelos)



1. La medida de 25  $\frac{1}{8}$  pulg. (64 cm) se considera al frente de la rejilla superior
2. Cordón de alimentación (24 pulg. [61 cm])
3. 5 pies (1,5 m) de tubería de agua adherida a la parte trasera con cinta

**NOTA:** (\*) Las medidas indicadas consideran las patas niveladoras extendidas  $\frac{1}{8}$  pulg. (3 mm) por debajo de los rodillos. Si las patas niveladoras están totalmente extendidas  $1\frac{1}{4}$  pulg. (32 mm) por debajo de los rodillos, agregue a esta medida  $1\frac{1}{8}$  pulg. (29 mm).

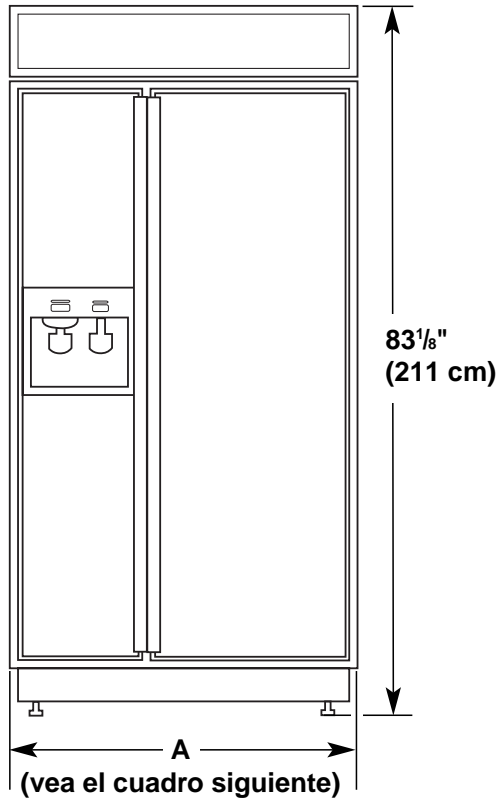
### Vista superior (Todos los modelos)



Modelo	Anchura A
36 pulg. (91 cm)	35 pulg. (89 cm)
42 pulg. (106 cm)	41 pulg. (104 cm)
48 pulg. (122 cm)	47 pulg. (119 cm)

### Vista frontal para los modelos de dos puertas

**NOTA:** Las medidas de anchura indicadas consideran la distancia de adorno externo a adorno externo.

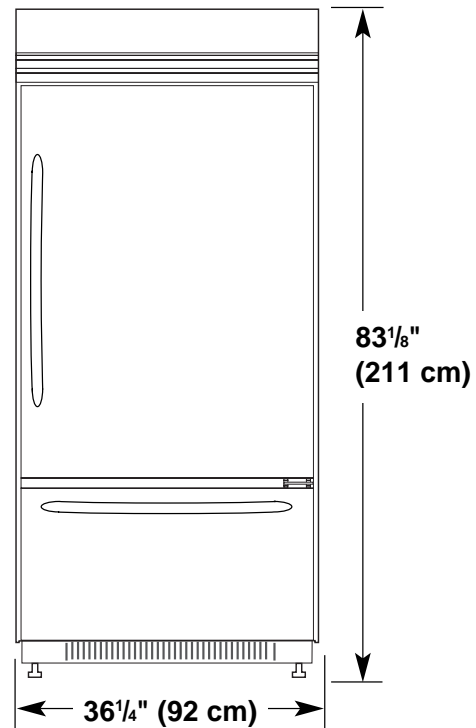


### Anchura del refrigerador:

Modelo	Anchura A (como se muestra anteriormente)
36 pulg. (91 cm)	36 1/4 pulg. (92 cm)
42 pulg. (106 cm)	42 1/4 pulg. (107 cm)
48 pulg. (122 cm)	48 1/4 pulg. (123 cm)

### Vista delantera para los modelos de montaje inferior

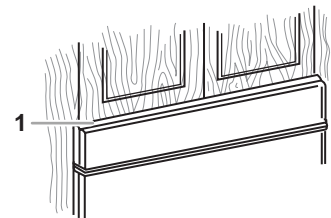
**NOTA:** Las medidas de anchura indicadas consideran la distancia de adorno externo a adorno externo.



### Medidas de abertura

El refrigerador empotrado puede instalarse en un nicho entre los gabinetes o al extremo de los gabinetes utilizando un panel lateral para cubrir el lado del refrigerador.

**NOTA:** La instalación requiere de un despeje de 1/2 pulg. (12,7 mm) para quitar la rejilla superior y para disponer de un flujo de aire adecuado.



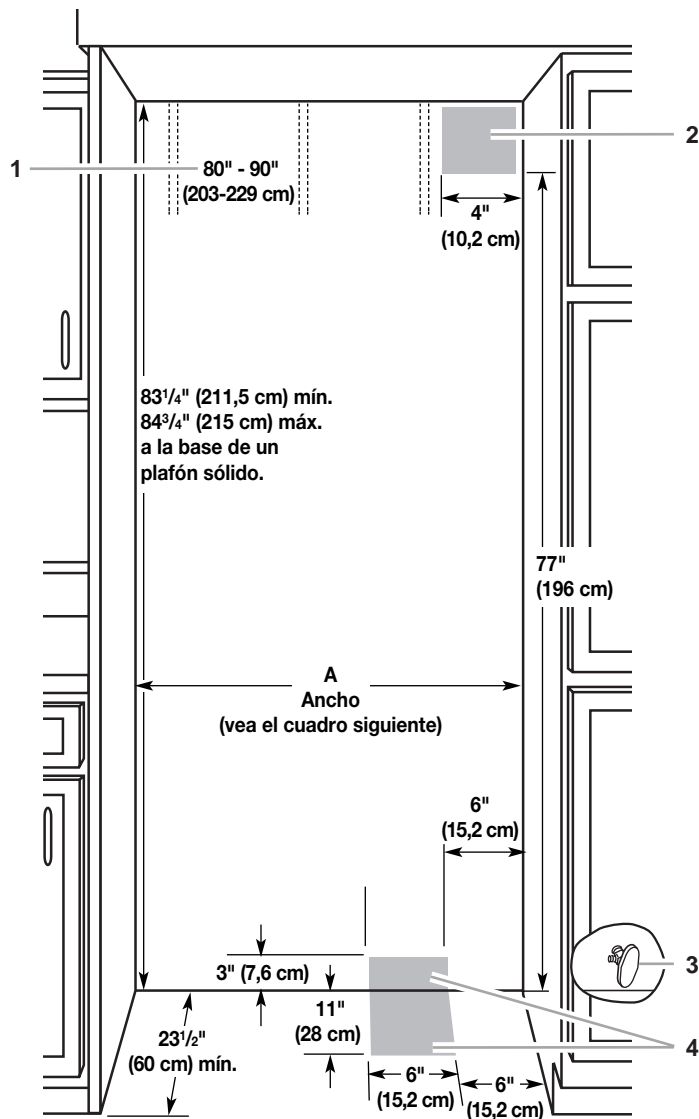
1. Se requiere un espacio de 1/2 pulg. (12,7 mm)

### Preparación de la ubicación:

- Se debe colocar montantes en la pared trasera, de 80 pulg. a 90 pulg. (203 - 229 cm) arriba del piso.

**NOTA:** El plafón sólido debe estar a no más de 1 pulg. (2,5 cm) por arriba del refrigerador. Si el plafón sólido está a más de 1 pulg. (2,5 cm) o no hay ninguno disponible, entonces el refrigerador deberá tener un soporte para impedir que se vuelque durante el uso. Vea la sección "Cómo instalar los tableros anti-vuelco".

- En el área superior sombreada, deberá colocarse un tomacorriente conectado a tierra, a 4 pulg. (10,2 cm) del lado derecho de los gabinete o del panel terminal (vea la sección "Requisitos eléctricos").
- La válvula de cierre de agua deberá estar localizada en la base del gabinete, a cualquier lado del refrigerador. Recomendamos el lado derecho. El agujero de acceso a través del gabinete derecho deberá estar a ½ pulg. (12,7 mm) de la pared trasera.
- El agujero para la plomería, de ½ pulg. (12,7 mm) deberá encontrarse dentro del área inferior sombreada (vea la sección "Cómo conectar el sistema de agua"). La tubería de agua puede llevarse a través del piso o de la pared. Si se usa la ubicación recomendada para la tubería de agua, no será necesario adquirir accesorios de plomería adicionales.



- Ubicación de los montantes
- Ubicación del tomacorriente eléctrico conectado a tierra
- Ubicación recomendada de la válvula de cierre de agua
- Ubicación del agujero de plomería y de la tubería de agua (pared o piso)

#### Anchura de la abertura:

Modelo	Anchura A (como se muestra anteriormente)
36 pulg. (91,4 cm)	35½ pulg. (90,2 cm)
42 pulg. (106,7 cm)	41½ pulg. (105,4 cm)
48 pulg. (121,9 cm)	47½ pulg. (120,7 cm)

## Requisitos de ubicación

### **! ADVERTENCIA**



#### Peligro de Explosión

Mantenga los materiales y vapores inflamables, tales como gasolina, alejados del refrigerador.

No seguir esta instrucción puede ocasionar la muerte, explosión, o incendio.

#### NOTAS:

- No instale el refrigerador cerca de un horno, calefactor u otra fuente de calor ni en una ubicación en la que la temperatura puede bajar de los 55°F (13°C).
- El piso debe soportar el peso del refrigerador, más de 600 lbs. (272 kg), los paneles de las puertas y el contenido.
- La altura del techo deberá permitir un arco de vuelco lateral o delantero (vea la sección "Arco de vuelco").
- La ubicación debe permitir que las puertas abran totalmente (vea la sección "Medidas de oscilación de las puertas").

## Requisitos eléctricos

### **⚠ ADVERTENCIA**



#### **Peligro de Choque Eléctrico**

**Conecte a un contacto de pared de conexión a tierra de 3 terminales.**

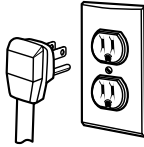
**No quite el terminal de conexión a tierra.**

**No use un adaptador.**

**No use un cable eléctrico de extensión.**

**No seguir estas instrucciones puede ocasionar la muerte, incendio o choque eléctrico.**

Antes de mover el refrigerador a su posición definitiva, es importante asegurarse que Ud. tiene la conexión eléctrica adecuada:



#### **Método de conexión a tierra recomendado**

Se requiere una fuente de energía eléctrica de 115 Voltios, 60 Hz., CA solamente y con fusibles de 15 ó 20 amperios, debidamente conectados a tierra. Se recomienda que se use un circuito separado sólo para su refrigerador. Use un tomacorriente que no se puede apagar con un interruptor. No use un cable de extensión.

**IMPORTANTE:** Si este producto está conectado a un tomacorriente protegido por un interruptor del circuito de falla eléctrica de puesta a tierra (GFCI por sus iniciales en inglés), puede ocurrir un disparo brusco del suministro de corriente, lo que resultará en una pérdida de refrigeración. Esto puede afectar la calidad y el sabor de los alimentos. Si ha ocurrido un disparo brusco, y el alimento aparenta estar en malas condiciones, deshágase del mismo.

**NOTA:** Antes de realizar cualquier tipo de instalación, limpieza o quitar un foco, ponga el control (del Termostato, del Refrigerador o del Congelador dependiendo del modelo) en la posición OFF (Apagado) y luego APAGUE el Interruptor de alimentación (vea la sección "Uso de los controles" en la Guía de uso y cuidado) o desconecte la fuente de energía eléctrica en la caja de disyuntores.

Cuando haya terminado, ENCIENDA el Interruptor de alimentación (vea la sección "Uso de los controles" en la Guía de uso y cuidado) o reconecte la fuente de energía eléctrica en la caja de disyuntores. Luego vuelva a poner el control (del Termostato, del Refrigerador o del Congelador dependiendo del modelo) en la posición deseada.

## Requisitos de suministro de agua

Lea todas las instrucciones con cuidado antes de comenzar.

#### **IMPORTANTE:**

- Si usa el refrigerador antes de instalar la conexión del agua, ponga la fábrica de hielo en la posición OFF.
- Todas las instalaciones deben hacerse de acuerdo a los requerimientos locales de plomería.
- Use tuberías de cobre y revise si hay fugas. Instale la tubería de cobre sólo en áreas donde la temperatura vaya a permanecer por encima del punto de congelación.

**NOTA:** El distribuidor de su refrigerador tiene un juego con una válvula de cierre tipo montura de ¼ pulg. (6,35 mm), una unión y tubería de cobre. Antes de comprar, asegúrese que la válvula tipo montura cumpla con los códigos de plomería de su localidad. No use una válvula perforadora o una válvula de montura de 3/16 pulg. (4,76 mm) que reduce el flujo de agua y se obstruye con más facilidad.

#### **Suministro de agua fría**

Conecte la fábrica de hielo a una línea de agua fría con límites de presión de agua de 15 y 100 lbs/pulg.<sup>2</sup> (103 - 690 kPa). Si tiene preguntas sobre la presión de agua, llame a su compañía de servicios públicos.



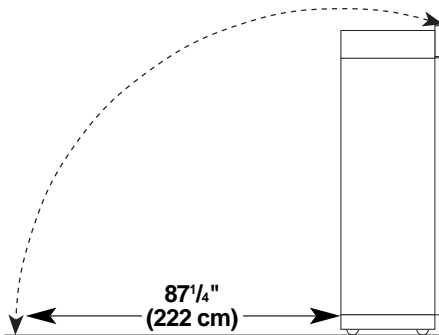
## Arco de vuelco

Antes de llevar el refrigerador a casa, asegúrese que dispone de suficiente altura al techo para que el refrigerador esté completamente derecho.

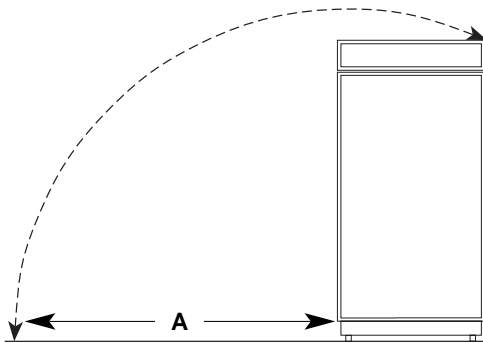
### NOTAS:

- Si se utiliza una plataforma rodante, se debe agregar la altura de sus ruedas al arco de vuelco.
- Si desea reducir el arco de vuelco, vea la sección "Cómo reducir el arco de vuelco".

### Arco de vuelco hacia adelante (igual para todos los modelos)



### Arco de vuelco lateral (vea el gráfico siguiente)



### Arco de vuelco lateral:

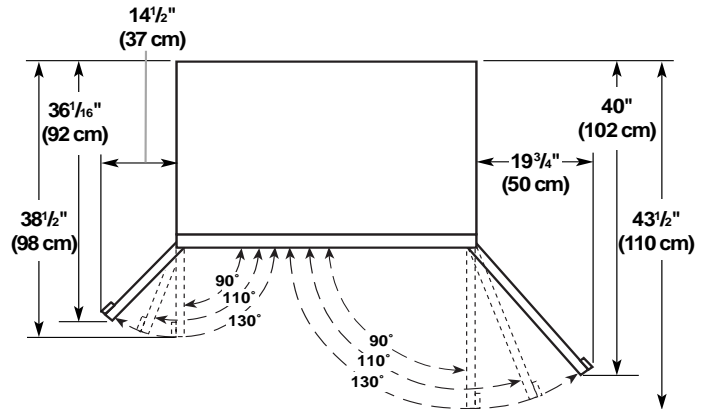
Modelo	Arco de vuelco A
36 pulg. (91,4 cm)	90 1/2 pulg. (229,9 cm)
42 pulg. (106,7 cm)	93 pulg. (236,2 cm)
48 pulg. (121,9 cm)	96 pulg. (243,8 cm)

## Medidas de oscilación de las puertas

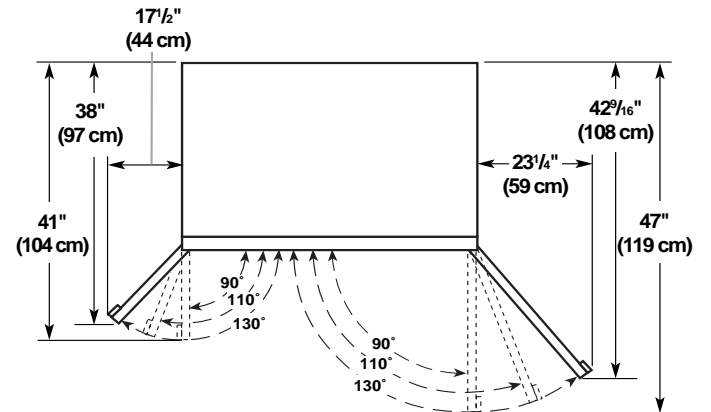
### Medidas de oscilación de dos puertas

La ubicación debe permitir que las puertas se abran a un mínimo de 90°. Deje un espacio mínimo de 4 1/2 pulg. (11,4 cm) entre el lado del refrigerador y la esquina de la pared. Para ajustar la oscilación de las puertas, vea la sección "Cómo ajustar las puertas".

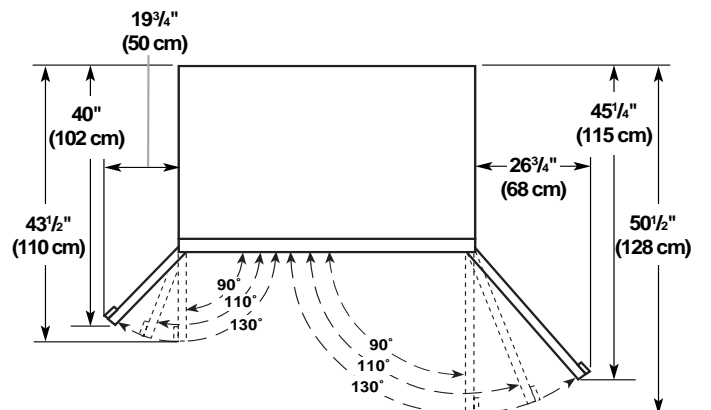
### Modelos de 36 pulg. (91 cm)



### Modelos de 42 pulg. (106 cm)



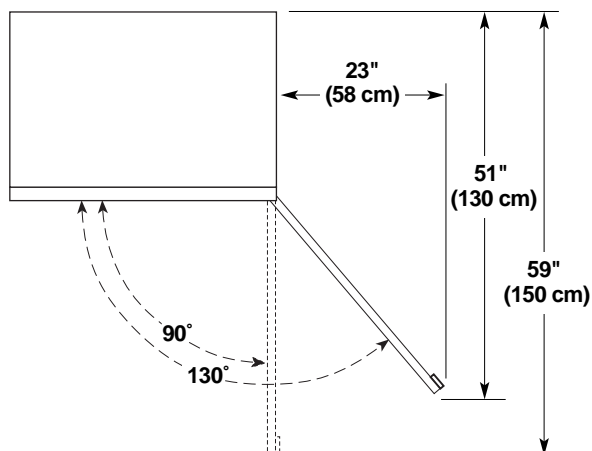
### Modelos de 48 pulg. (122 cm)



## Medidas de oscilación de las puertas de montaje inferior

La ubicación debe permitir que las puertas se abran a un mínimo de 90°. Para los modelos con paneles, deje un espacio mínimo de 1 pulg. (2,5 cm) entre el lado del refrigerador y la esquina de la pared. Para los modelos envolventes, deje un espacio mínimo de 4½ pulg. (11,4 cm) entre el lado del refrigerador y la esquina de la pared. Para ajustar la oscilación de las puertas, vea la sección "Cómo ajustar las puertas".

### Modelos de 36 pulg. (91 cm)



## Paneles y juegos de fábrica

### Juegos de paneles y agarraderas de dos puertas

Todas las piezas de repuesto de fábrica están disponibles con su distribuidor KitchenAid o llamando a KitchenAid Parts and Accessories (Refacciones y accesorios KitchenAid) al 1-800-442-9991.

### Juegos de paneles para puertas de fábrica

Están disponibles cuatro juegos que incluyen paneles de acrílico de colores o acero inoxidable para las puertas y las rejillas superiores. Para la instalación de los paneles siga las instrucciones del juego.

**NOTA:** Los juegos de paneles no son necesarios para los paneles de acero inoxidable instalados de fábrica o para los modelos con puertas envolventes.

## Número de pieza para los paneles de puerta de modelos sin despachador

Color	36 pulg. (91 cm)	42 pulg. (106 cm)	48 pulg. (122 cm)
Blanco	#2220852	#2220853	#2220854
Negro	#2220855	#2220856	#2220857
Biscuit	#2220858	#2220859	#2220860
Acero inoxidable	#2220861	#2220862	#2220863

## Número de pieza para los paneles de puerta de modelos con despachador

Color	36 pulg. (91 cm)	42 pulg. (106 cm)	48 pulg. (122 cm)
Blanco	#2220864	#2220865	#2220866
Negro	#2220867	#2220868	#2220869
Biscuit	#2220870	#2220871	#2220872
Acero inoxidable	#2220873	#2220874	#2220875

## Juegos de extensión de agarraderas de puerta

Use las agarraderas de extensión si necesita más holgura para los dedos entre las agarraderas de las puertas y los paneles a la medida. Siga las instrucciones del juego para la instalación de las agarraderas de las puertas.

Color	Número de pieza
Blanco	#4387990
Negro	#8171418
Biscuit	#8171417
Acero inoxidable	#4388062
Aluminio mate	#4387989

## Juegos de paneles y agarraderas para rejilla superior de montaje inferior

Todas las piezas de repuesto de fábrica están disponibles con su distribuidor KitchenAid o llamando a KitchenAid Parts and Accessories (Refacciones y accesorios KitchenAid) al 1-800-442-9991.

### Juegos de paneles para puertas de fábrica

Están disponibles cuatro juegos que incluyen paneles de acrílico de colores o acero inoxidable para las puertas y las rejillas superiores. Para la instalación de los paneles siga las instrucciones del juego.

**NOTA:** Los juegos de paneles no son necesarios para los paneles de acero inoxidable instalados de fábrica o para los modelos con puertas envolventes.

### Número de pieza para paneles de puerta para los modelos con paneles de 36 pulg. (91 cm)

Color	36 pulg. (91 cm)
Blanco	#2220952
Negro	#2220953
Biscuit	#2220954
Acero inoxidable	#2220955

### Juego para rejilla superior

Están disponibles los juegos de panel de rejilla superior de 72 pulg. (183 cm) de ancho. Estos juegos permiten que se instalen 2 unidades (una que abra a la izquierda y una que abra a la derecha) lado a lado, con una sola rejilla.

### Juego para rejilla superior de modelos con panel

Color	72 pulg. (183 cm)
Blanco	#2220927
Negro	#2220928
Biscuit	#2220929
Acero inoxidable	#2220876

### Juego de rejilla superior para modelos envolventes

Color	Número de pieza
Negro	#2220960
Acero inoxidable	#2220877

## Juegos de extensión de agarraderas de puerta

Use las agarraderas de extensión si necesita más holgura para los dedos entre las agarraderas de las puertas y los paneles a la medida. Siga las instrucciones del juego para la instalación de las agarraderas de las puertas.

Color	Abre a la izquierda	Abre a la derecha
Blanco	#4396119	#8171424
Negro	#4396116	#8171427
Biscuit	#4396117	#8171426
Acero inoxidable	#4396118	#8171425
Aluminio mate	#4396120	#8171423

## Paneles a la medida para la rejilla superior y las puertas

Si va a instalar paneles de madera a la medida, deberá hacerlos usted mismo o consultar un carpintero o fabricante de gabinetes calificado. Para obtener información acerca de las especificaciones de los paneles, vea los gráficos dimensionales.

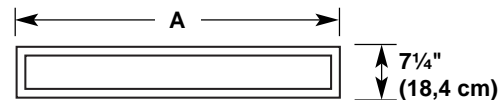
**IMPORTANTE:** Los paneles que pesan más de lo recomendado pueden dañar a su refrigerador.

**NOTA:** Las medidas deberán tener una tolerancia de  $(\pm) \frac{1}{16}$  pulg. (1,5 mm). Los paneles de más de  $\frac{1}{4}$  pulg. (6 mm) de grosor deberán contornearse. Si los paneles tienen menos de  $\frac{1}{4}$  pulg. (6 mm) de grosor, instale un panel de relleno entre las puertas y los paneles decorativos.

### Paneles a la medida para la rejilla superior y las puertas para modelos de dos puertas

#### Panel para la rejilla superior

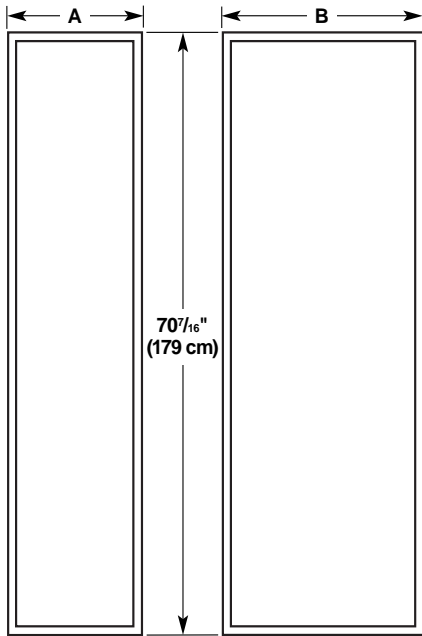
El panel superior no deberá pesar más de 10 lbs. (4,5 kg).



Modelo	A
36 pulg. (91 cm)	35 $\frac{3}{8}$ pulg. (90 cm)
42 pulg. (106 cm)	41 $\frac{1}{8}$ pulg. (105 cm)
48 pulg. (122 cm)	47 $\frac{3}{8}$ pulg. (120 cm)

### Paneles de puerta para modelos sin despachador

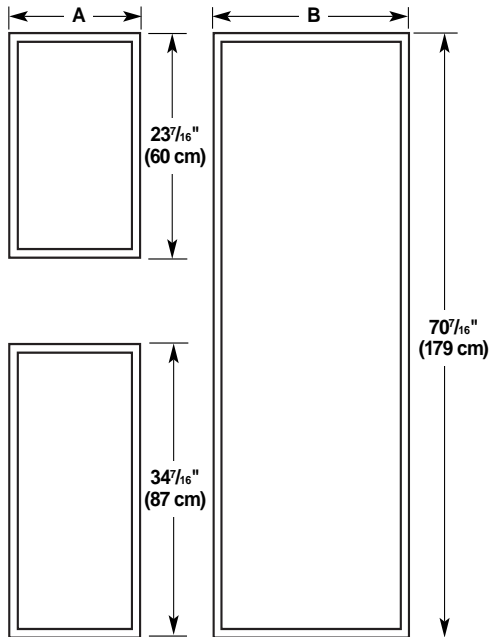
El panel del congelador no deberá pesar más de 30 lbs. (13,5 kg).  
El panel del refrigerador no deberá pesar más de 50 lbs. (23 kg).



Modelo	A	B
36 pulg. (91 cm)	14 1/4 pulg. (36 cm)	19 1/4 pulg. (49 cm)
42 pulg. (106 cm)	16 3/4 pulg. (43 cm)	22 3/4 pulg. (58 cm)
48 pulg. (122 cm)	19 1/4 pulg. (49 cm)	26 1/4 pulg. (67 cm)

### Paneles de puerta para modelos con despachador

Los dos paneles del congelador juntos no deberán pesar más de 30 lbs. (13,5 kg). El panel del refrigerador no deberá pesar más de 50 lbs. (23 kg).

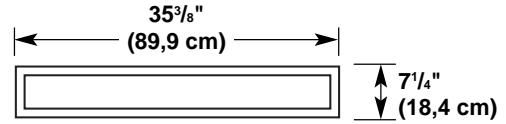


Modelo	A	B
36 pulg. (91 cm)	14 1/4 pulg. (36 cm)	19 1/4 pulg. (49 cm)
42 pulg. (106 cm)	16 3/4 pulg. (43 cm)	22 3/4 pulg. (58 cm)
48 pulg. (122 cm)	19 1/4 pulg. (49 cm)	26 1/4 pulg. (67 cm)

### Paneles a la medida de montaje inferior para la rejilla superior y la puerta

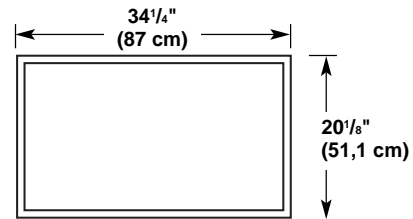
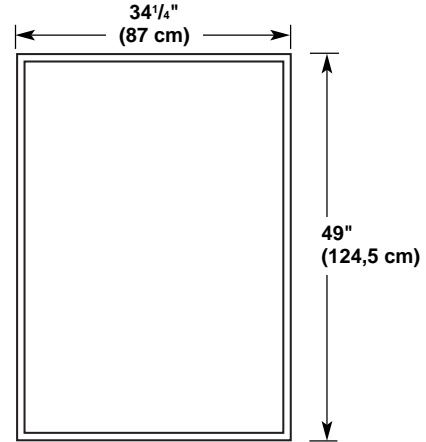
#### Panel de la rejilla superior

El panel superior no deberá pesar más de 10 lbs. (4,5 kg).



#### Paneles de puertas de refrigerador y congelador

El panel del congelador no deberá pesar más de 20 lbs. (9 kg). El panel del refrigerador no deberá pesar más de 60 lbs. (27 kg).



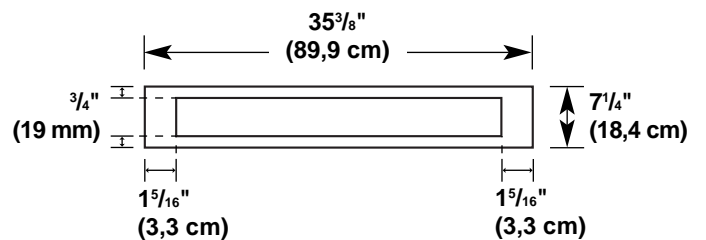
### Contorneado para los paneles a la medida para la rejilla superior y puertas (todos los modelos)

Los cantos de los paneles a la medida de más de 1/4 pulg. (6 mm) de grosor, deberán contornearse a 1/4 pulg. (6 mm) de grosor para ajustar en el adorno del producto.

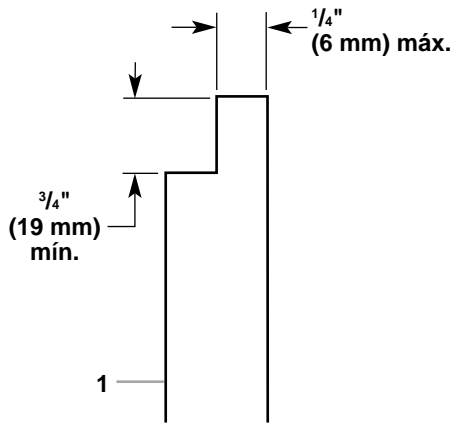
#### Contorneado del panel de la rejilla superior

Los cantos superior e inferior del panel superior deberán contornearse 3/4 pulg. (19 mm) y ambos extremos deberán contornearse 1 5/16 pulg. (3,3 cm) como se muestra.

#### Medidas para contornear los cantos de los paneles de la rejilla superior (Vista frontal)

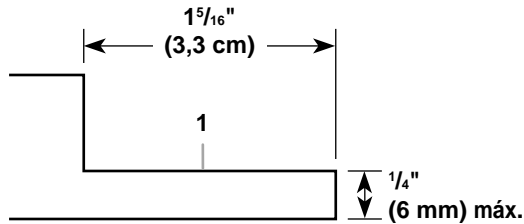


**Medidas para contornear el canto superior e inferior del panel de la rejilla superior (Vista lateral)**



1. Panel de rejilla superior

**Medidas para contornear los extremos izquierdo y derecho del panel para la rejilla superior (Vista lateral)**

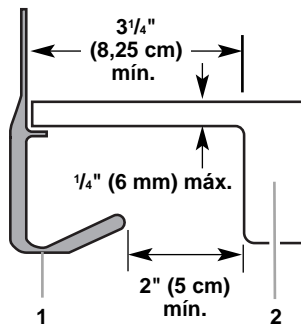


1. Panel de rejilla superior

**Contorneado del panel de la puerta**

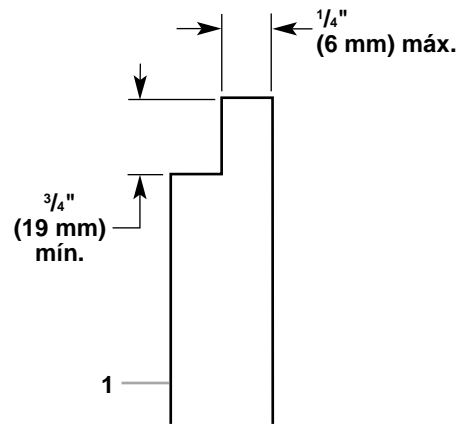
Contornee 3 1/4 pulg. (8,25 cm) todas las áreas del lado de las agarraderas de los paneles.

**Medidas para contornear el lado de la agarradera del panel de la puerta (Vista de atrás)**



1. Agarradera  
2. Panel de la puerta

**Medidas para contornear el panel de la puerta (Vista lateral)**

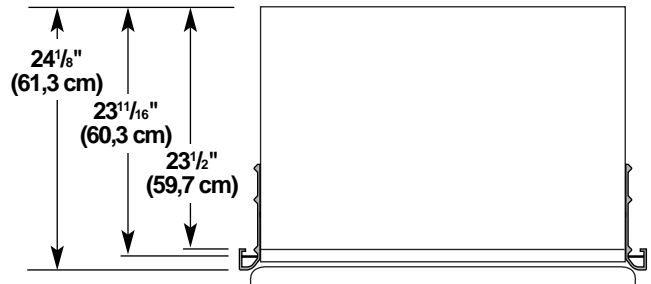


1. Panel de la puerta

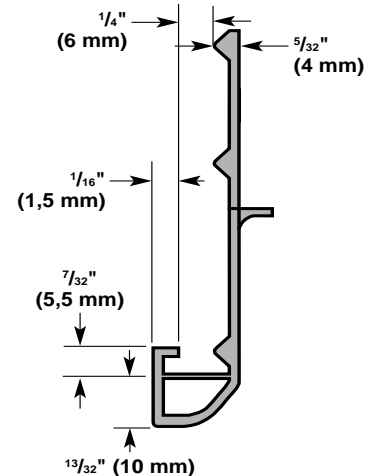
**Paneles laterales a la medida**

**Paneles laterales de dos puertas y de montaje inferior**

El ancho y la altura del panel lateral está determinado por el tipo de instalación. El panel lateral deberá tener un grosor mínimo de 1/2 pulg. (12 mm) para impedir pandeos. Las medidas indicadas son las medidas actuales del producto y pudieran no reflejar las dimensiones necesarias para la instalación. Instale el tablero de soporte (optativo) del panel lateral en la pared trasera si el fondo de la abertura es de 25 pulg. (63,5 cm) o más.

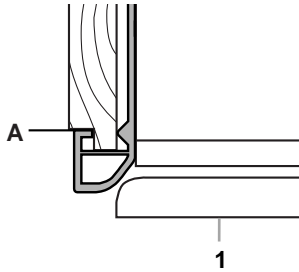


**Medidas del adorno lateral visto desde atrás:**



### Panel lateral en relieve

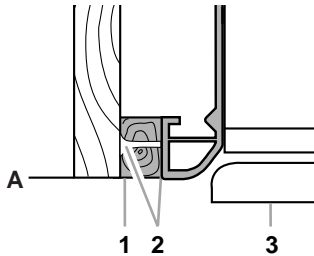
1. Mida la distancia del punto A (como se muestra) a la pared trasera. Agregue  $\frac{7}{32}$  pulg. (5,6 mm) a esta medida para que el panel lateral se ajuste dentro del adorno.
2. Si el panel tiene más de  $\frac{1}{4}$  pulg. (6 mm) de grosor, contornee el canto delantero del panel para ajustarlo a la pieza del adorno.



1. Puerta

### Panel lateral al ras

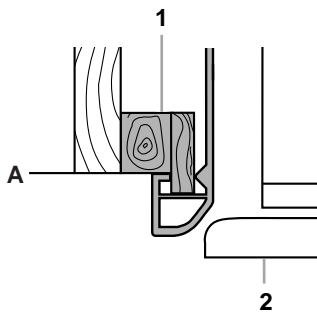
1. Mida la distancia del punto A (como se muestra) a la pared trasera.
2. Afiance el tablero de soporte con tornillos o pegamento que sea compatible con aluminio y madera.



1. Tablero de soporte  
2. Ubicaciones para fijación  
3. Puerta

### Panel lateral empotrado

1. Mida la distancia del punto A (como se muestra) a la pared trasera.
2. Contornee el canto delantero del tablero de soporte o afiance un tablero de  $\frac{1}{4}$  pulg. (6 mm) para fijarlo en el adorno lateral del gabinete.



1. Tablero de soporte  
2. Puerta

# INSTRUCCIONES DE INSTALACIÓN

## Cómo desempacar su refrigerador

### ⚠ ADVERTENCIA



#### Peligro de Vuelco

El refrigerador puede volcarse cuando está siendo instalado debido a que la parte superior es pesada.

Mantenga las puertas cerradas con cinta hasta que el refrigerador esté completamente instalado.

Use dos o más personas para mover e instalar el refrigerador.

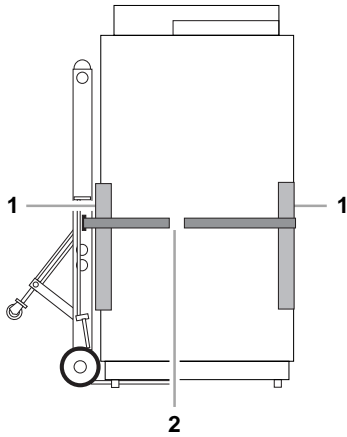
No seguir estas instrucciones puede ocasionar la muerte o herida seria.

#### IMPORTANTE:

- Nunca apoye el refrigerador contra la base de embarque cuando quite esa base de embarque.
  - Nunca quite la película de protección de su refrigerador hasta que no esté en su ubicación para el funcionamiento.
  - Las cuatro patas niveladoras deberán tocar el piso para soportar y estabilizar el peso total del refrigerador.
  - Coloque un tramo de cartón de empaque o de madera contrachapada bajo el refrigerador hasta que esté en su ubicación para el funcionamiento.
1. Quite y guarde todo el paquete de material impreso y la bolsa de piezas adherida a la puerta del refrigerador. Quite las cuatro ménsulas (dos de cada lado) que afianzan la base de embarque al fondo del refrigerador.

**NOTA:** Nunca quite la cinta y los refuerzos de las puertas hasta que el refrigerador esté en su ubicación final.

- Coloque la plataforma rodante para artefactos debajo del lado de la puerta del congelador. Pase la correa de la plataforma rodante por debajo de las agarraderas y luego envuelva el refrigerador con la correa sin apretarla. Inserte unos postes esquineros de cartón entre la correa y los adornos laterales. Apriete cuidadosamente la correa, asegurándose de que los adornos laterales estén protegidos.



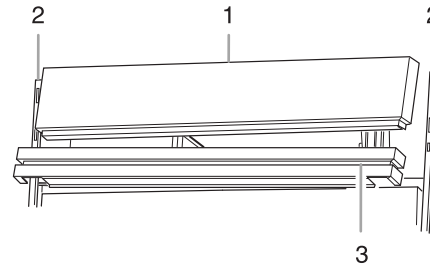
- Postes esquineros sobre el adorno lateral
- Postes esquineros sobre la agarradera

- Coloque unos tramos de cartón de embarque en el piso cuando haga rodar la plataforma rodante y el refrigerador al interior de la casa. Acerque el refrigerador a la abertura donde se va a empotrar.

- Quite los seis tornillos que afianzan el adorno lateral de cada gabinete al refrigerador y quite estos adornos laterales.
- Primero pare el refrigerador colocando el extremo inferior izquierdo en el suelo, luego enderece el refrigerador hasta que quede derecho y entonces baje el lado derecho del refrigerador al suelo.
- Vuelva a ensamblar el adorno y la rejilla superior después de quitar la plataforma rodante del refrigerador.

#### Modelos envolventes

- Tome ambos extremos del panel de celosía. Empuje el panel de celosía hacia arriba y luego tire directamente hacia afuera. Coloque el panel de celosía sobre una superficie de trabajo blanda.
- Tome ambos extremos de la rejilla superior. Empuje la rejilla superior hacia arriba y luego tire directamente hacia afuera. Coloque la rejilla superior sobre una superficie de trabajo blanda.



- Rejilla superior
- Adorno lateral del gabinete
- Panel de celosía

- Quite los seis tornillos que afianzan el adorno lateral de cada gabinete al refrigerador y quite estos adornos laterales.
- Primero pare el refrigerador colocando el extremo inferior izquierdo en el suelo, luego enderece el refrigerador hasta que quede derecho y entonces baje el lado derecho del refrigerador al suelo.
- Vuelva a ensamblar el adorno y la rejilla superior después de quitar la plataforma rodante del refrigerador.

## Cómo reducir el arco de vuelco

(si es necesario)

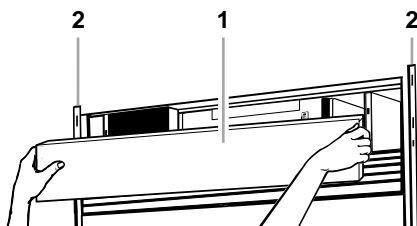
Si no se dispone de suficiente altura al techo para que el refrigerador esté completamente derecho, el arco de vuelco se puede reducir si quita la rejilla superior y los adornos laterales (vea el gráfico siguiente).

Modelo	Arco de vuelco reducido
36 pulg. (91,4 cm)	88 pulg. (223,5 cm)
42 pulg. (106,7 cm)	88½ pulg. (224,8 cm)
48 pulg. (121,9 cm)	89¼ pulg. (226,7 cm)

**NOTA:** Para evitar golpear el recinto del compresor contra el techo, primero se debe levantar el refrigerador colocando el extremo inferior izquierdo en el suelo, luego enderezar el refrigerador hasta que quede derecho y entonces bajar el lado derecho del refrigerador al suelo.

#### Modelos con paneles

- Tome ambos extremos de la ensambladura de la rejilla superior.
- Empuje la ensambladura de la rejilla superior hacia arriba y luego tire directamente hacia afuera. Coloque la ensambladura de la rejilla sobre una superficie de trabajo blanda.



- Rejilla superior
- Adorno lateral del gabinete

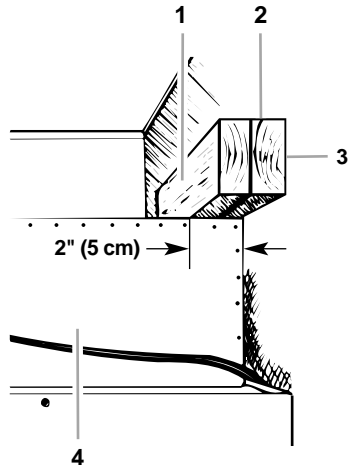
## Cómo instalar los tableros anti-vuelco

#### IMPORTANTE:

- El plafón sólido debe estar a no más de 1 pulg. (2,5 cm) por arriba del refrigerador. Si el plafón sólido está a más de 1 pulg. (2,5 cm) o no hay ninguno disponible, impida que el refrigerador se vuelque durante el uso como se muestra.
- Se recomienda que el(los) tablero(s) se instale(n) antes de la instalación del refrigerador.
- El(Los) tableros deberá(n) ser suficientemente largo(s) para poder cubrir totalmente el ancho de la cubierta del compresor.
- Ubique el(los) tablero(s) de manera que la superficie inferior del (los) tableros esté a 84 pulg. (213 cm) del piso.
- Durante la instalación, eleve el refrigerador de manera que haya un máximo de ¼ pulg. (6,4 mm) entre la parte superior del refrigerador y el fondo del (los) tablero(s) anti-vuelco. NUNCA aplaste la cubierta del condensador al levantar las patas niveladoras traseras.

## Cómo instalar los tableros antivuelco

1. Señale ubicaciones para los montantes en la pared trasera, de 80 pulg. a 90 pulg. (203 - 229 cm) arriba del piso.
2. Afiance seguramente uno o dos de los tableros de madera de 2 pulg. x 4 pulg. x 32 pulg. (5 cm x 10 cm x 81 cm) a los montantes detrás del refrigerador. Use 6 tornillos para madera, #8 x 3 pulg. (7,6 mm) (o más largos). Los tornillos para madera deberán atornillarse un mínimo de 1½ pulg. (3,8 cm) en los montantes. El(Los) tablero(s) deben quedar sobrepuestos encima de la cubierta del compresor.



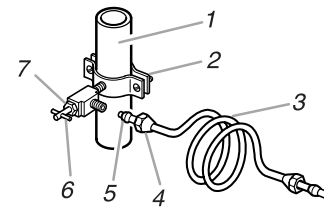
1. Tablero central ¼ pulg. (6 mm) máximo arriba del refrigerador
2. Dos tableros de 2 pulg. x 4 pulg. x 32 pulg. (5 cm x 10 cm x 81 cm)
3. Afiance a los montantes con 6 tornillos #8 x 3 pulg. (7,6 cm)
4. Cubierta del compresor

## Instalación de una tubería de agua nueva (en caso de ser necesario)

**Herramientas requeridas:** Destornillador estándar, llaves de boca de 7/16 pulg. y 1/2 pulg. o dos llaves ajustables, llave para tuercas y de broca de barrena de 1/4 pulg., taladro manual o eléctrico (debidamente conectado a tierra).

1. Desenchufe el refrigerador o desconecte el suministro de energía.
2. CIERRE el suministro principal de agua. ABRA la llave de agua más cercana el tiempo suficiente para que la tubería de agua se vacíe totalmente.

3. Busque una tubería vertical de agua FRÍA de ½ pulg. (12,7 mm) a 1¼ pulg. (3,18 cm) cercana al refrigerador.  
**NOTA:** Una tubería horizontal funcionará, pero taladre por el lado de arriba de la tubería, no por debajo. Esto ayudará a mantener el agua alejada del taladro. Esto también evita que se junte sedimento normal en la válvula.
4. Determine el largo de la tubería de cobre necesario. Mida desde la conexión en la parte inferior izquierda trasera del refrigerador hasta la tubería de agua. Agregue 7 pies (2,1 m) para facilitar la limpieza. Utilice tubería de cobre de ¼ pulg. (6,35 mm) D.E. (diámetro exterior). Cercíorese que ambos extremos del tubo se han cortado a escuadra.
5. Usando un taladro conectado a tierra, haga un orificio de ¼ pulg. en la tubería de agua fría que Ud. eligió.



1. Tubería de agua fría
2. Abrazadera para tubería
3. Tubería de cobre
4. Tuerca de compresión
5. Manga de compresión
6. Válvula de cierre
7. Tuerca de presión

6. Ajuste la válvula de cierre a la tubería de agua fría con una abrazadera para tubería. Asegúrese que el extremo de salida esté firmemente insertado en el orificio taladrado de ¼ pulg. en la tubería de agua y que la arandela esté por debajo de la abrazadera para tubería. Ajuste la tuerca de presión. Ajuste los tornillos de la abrazadera para tubería con cuidado y en forma pareja de manera que la arandela provea un cierre hermético. No apriete demasiado porque se puede quebrar la tubería de cobre.
7. Deslice la manga de compresión y la tuerca de compresión sobre la tubería de cobre como se muestra. Inserte el extremo de la tubería en el extremo de salida hasta donde sea posible. Atornille la tuerca de compresión sobre el extremo de salida con una llave ajustable. No apriete demasiado.
8. Coloque el extremo libre de la tubería dentro de un recipiente o fregadero, y ABRA la llave de agua principal para lavar la tubería hasta que el agua salga limpia. CIERRE la válvula de cierre del agua. Enrolle la tubería de cobre en espiral.
9. Lleve la tubería de cobre al refrigerador.

## Cómo conectar el sistema de agua

1. Quite la cinta de empaque de la tubería gris enrollada en la parte trasera del refrigerador.
2. Antes de fijar la tubería de cobre al refrigerador, enjuague la tubería de agua hacia una cubeta con dos cuartos (1,9 L) de agua, para eliminar cualquier partícula dentro de la tubería de agua.
3. Busque fugas alrededor de la válvula de cierre tipo montura. No apriete demasiado la abrazadera o la manga. Se puede quebrar la tubería.

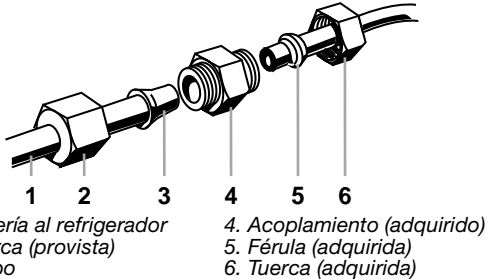


4. Haga la conexión al refrigerador.

#### Estilo 1 - Conexión a una tubería de agua:

**Partes adicionales necesarias:** Acoplamiento, férula y tuerca.

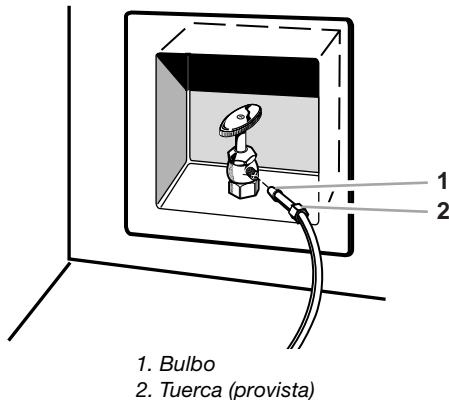
Deslice la tuerca adquirida y luego la férula adquirida por la tubería de agua. Empuje la tubería hasta el fondo del acoplamiento adquirido. Deslice hacia adelante la tuerca y la férula. Apriete la tuerca a mano. Luego apriétela dos vueltas con una llave de tuercas. No apriete demasiado.



#### Estilo 2 - Conexión a una válvula de agua:

**NOTA:** El cierre del agua deberá estar localizado en la base del gabinete, a cualquier lado del refrigerador. Recomendamos el lado derecho. El agujero de acceso a través del gabinete derecho deberá estar a ½ pulg. (12,7 mm) de la pared trasera cuando menos.

Empuje el extremo del bulbo de la tubería dentro de la válvula de agua hasta donde llegue. Deslice la tuerca hacia adelante y apriete con los dedos. Apriete la tuerca a mano. Luego apriétela dos vueltas con una llave de tuercas. No apriete demasiado.



5. Abra la válvula de cierre.
6. Busque fugas. Apriete aquellas tuercas o conexiones que tengan fugas (incluidas las conexiones en la válvula).

## Cómo enchufar el refrigerador

### ⚠ ADVERTENCIA



#### Peligro de Choque Eléctrico

Conecte a un contacto de pared de conexión a tierra de 3 terminales.

No quite el terminal de conexión a tierra.

No use un adaptador.

No use un cable eléctrico de extensión.

No seguir estas instrucciones puede ocasionar la muerte, incendio o choque eléctrico.

1. Coloque al interruptor de control en la parte superior del gabinete en la posición OFF (Apagado).
2. Conecte a un contacto de pared de conexión a tierra de 3 terminales.

## Ubicación final del refrigerador

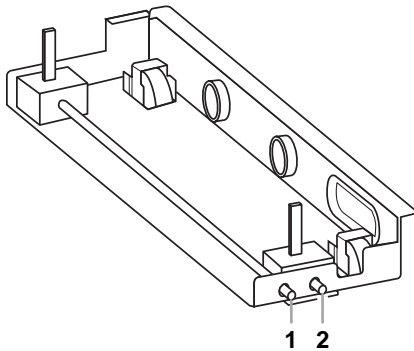
**IMPORTANTE:** Antes de mover el refrigerador y para evitar daños al piso, asegúrese que las patas niveladoras están levantadas (no están tocando el piso) y que el refrigerador se encuentra sobre los rodillos.

1. Coloque la parte superior del empaque de cartón o madera contrachapada debajo del refrigerador. Quite la plataforma rodante.
2. No quite la película de protección.
3. Empuje el refrigerador directamente hacia atrás y en forma pareja hacia el interior de la abertura. Verifique que la tubería de agua no esté torcida y que el cordón de alimentación esté encima del refrigerador, junto a la cubierta.

## Patas niveladoras inferiores

**NOTA:** Las cuatro patas niveladoras deberán hacer contacto con el piso para soportar y estabilizar el peso total del refrigerador. Los rodillos se usan para mover el refrigerador y nunca para un soporte permanente.

Utilice la llave de cubo para hacer girar a la derecha (sentido de las manecillas del reloj) a las patas niveladoras en ambos lados del refrigerador, hasta que el peso del refrigerador esté soportado por las patas niveladoras. Los rodillos no deberán hacer contacto con el piso. Para evitar daños al gabinete, limite el torque aplicado a las patas niveladoras a no más de 50 pulg./lbs. (58 cm/kg).

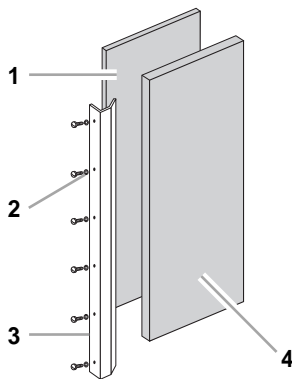


1. Patas niveladoras traseras
2. Patas niveladoras delanteras

## Cómo instalar los paneles de la puerta

### Modelos con panel:

1. Quite toda la cinta y los refuerzos de las puertas del congelador y del refrigerador. Quite los tornillos que afianzan las agarraderas al marco de la puerta.
2. Deslice los paneles decorativos en los marcos de la puerta.
3. Si es necesario, contornee los paneles de la puerta o instale un panel de relleno entre las puertas y los paneles decorativos. Vea la sección "Paneles a la medida para la rejilla superior y las puertas".



1. Panel de relleno
2. Arandela de nilón
3. Agarradera de la puerta
4. Panel de la puerta

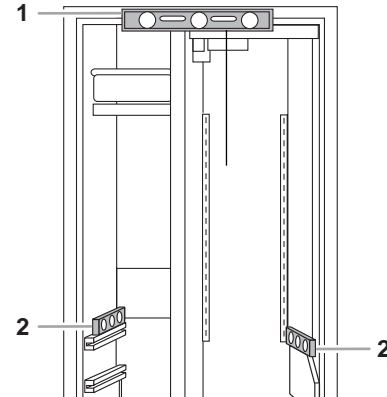
4. Reemplace las agarraderas de las puertas. Verifique que la parte superior de ambas agarraderas esté alineada.
5. Si las agarraderas no están alineadas, afloje todos los tornillos de las agarraderas y ajústelas hacia arriba o hacia abajo. Apriete los tornillos. Si alguno de los tornillos de la puerta se dañó, reemplácelo con los tornillos adicionales provistos en el paquete de piezas.

## Cómo nivelar el refrigerador

**NOTA:** Antes de nivelar el refrigerador deberán instalarse los paneles de la puerta.

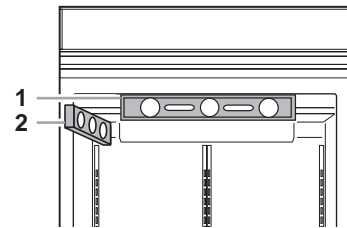
1. Abra las puertas y coloque un nivel en la parte superior del marco del refrigerador como se muestra. Verifique que el refrigerador esté nivelado de izquierda a derecha.

### Dos puertas



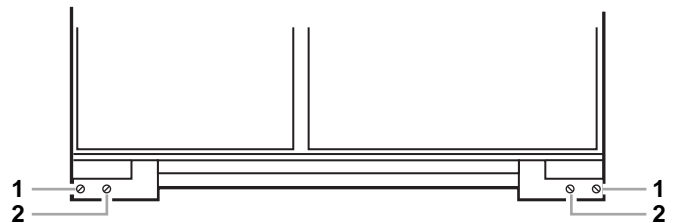
1. Nivel para verificar la nivelación de izquierda a derecha
2. Nivel para verificar la nivelación de adelante hacia atrás

### Montaje inferior



1. Nivel para verificar la nivelación de izquierda a derecha
2. Nivel para verificar la nivelación de adelante hacia atrás

2. Utilice los pernos niveladores para ajustar las patas niveladoras hasta que el refrigerador esté nivelado de izquierda a derecha.



1. Perno nivelador trasero
2. Perno nivelador delantero

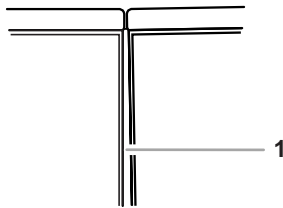
3. Coloque un(os) nivel(es) en el estante o estantes como se muestra. Verifique que el refrigerador esté nivelado de adelante hacia atrás.
4. Utilice los pernos niveladores para ajustar las patas niveladoras hasta que el refrigerador esté nivelado de adelante hacia atrás.
5. Asegúrese de que las cuatro patas niveladoras hagan contacto con el piso y soporten el peso total del refrigerador.
6. Haga una verificación final para asegurarse de que el refrigerador esté nivelado.

# Cómo ajustar las puertas

## Cómo alinear las puertas

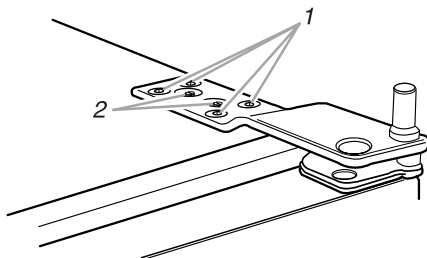
Siga los pasos a continuación para ajustar la alineación de las puertas si es necesario ajustarlas a la izquierda, derecha, hacia adentro o hacia afuera.

1. Revise el espacio entre la puerta del congelador y la del refrigerador. Asegúrese que el espacio entre las puertas sea el mismo en la parte superior y en la inferior.



1. Espacio desigual entre las puertas

2. Si el espacio entre las puertas es desigual, deberá quitarse el adorno lateral para poder examinar todo el forro de la empaquetadura de la puerta. Quite los seis tornillos Phillips que detienen el adorno lateral.
3. Afloje los cuatro tornillos de montaje de cabeza plana T27 de la parte superior de ambas bisagras. Afloje los dos tornillos de montaje de cabeza hexagonal de 1/4 pulg. Afloje los tornillos hasta el punto en que se pueda mover la bisagra, pero de manera que haya algo de fricción al tratar de mover la bisagra.



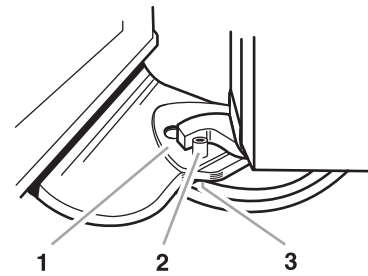
1. Tornillos de montaje de cabeza plana T27  
2. Tornillos de montaje de cabeza hexagonal de 1/4 pulg.

4. Ajuste las bisagras de manera que el espacio de la puerta sea igual arriba y abajo. La distancia inferior deberá usarse como muestra para la parte superior.
5. Verifique el espacio de la empaquetadura del lado de la puerta. Asegúrese que la distancia es la misma arriba y abajo. Si es necesario, ajuste las bisagras.
6. Vuelva a verificar el espacio delantero de la puerta para asegurarse que aún está alineada y pareja.
7. Apriete los tornillos de montaje de ambas bisagras.
8. Vuelva a instalar los adornos laterales.

## Cómo ajustar la altura de la puerta

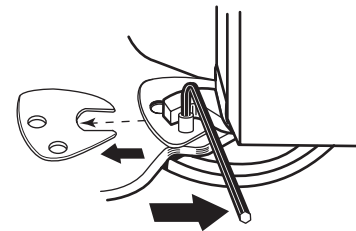
Siga los pasos a continuación para ajustar la altura de la puerta, hacia arriba o hacia abajo, una vez que se nivelaron las puertas.

1. Abra la puerta del congelador o del refrigerador y localice la ensambladura de las bisagras en la parte inferior de la puerta que se necesita ajustar.

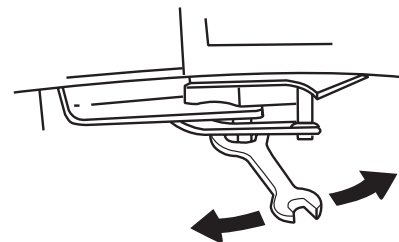


1. Placa de fijación  
2. Tornillo de retención de la puerta  
3. Casquillo

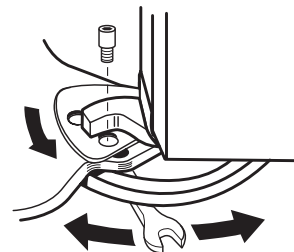
2. Usando la llave Allen, quite el tornillo de retención de la puerta de la bisagra inferior de la puerta. Quite la placa de fijación, como se muestra.



3. Usando la llave de boca, haga girar al casquillo ubicado debajo de la parte inferior de la bisagra. Si gira el casquillo a la izquierda (contra el sentido de las manecillas del reloj) elevará la puerta. Si gira el casquillo hacia la derecha (en el sentido de las manecillas del reloj) hará bajar a la puerta.



4. Después del ajuste asegúrese que las puertas estén parejas arriba y abajo. Si las puertas no están parejas, siga haciendo girar el casquillo hasta ajustar la altura de las puertas.
5. Reemplace la placa de fijación.
6. Mueva ligeramente el casquillo para alinear los orificios de tornillo de la bisagra y de la placa de fijación.
7. Reemplace el tornillo de retención y apriételo.



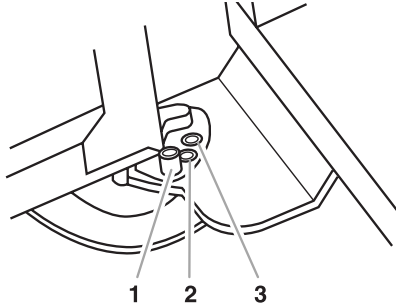
8. Haga una verificación final para asegurarse de que las puertas estén alineadas y parejas.

## Cómo ajustar la oscilación de las puertas

1. Verifique que la puerta del refrigerador abra con toda libertad. Si la puerta abre mucho, quite el tornillo de retención de la puerta de la bisagra inferior. Detenga la puerta abierta en un ángulo menor de 90°.
2. Reemplace el tornillo de retención de la puerta en la bisagra inferior y apriételo.

### Dos puertas:

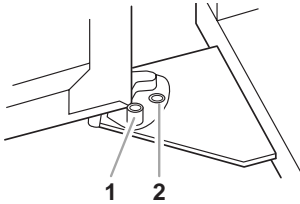
Reemplace el tornillo de retención de la puerta en la posición de retención de 110° ó 90°.



1. Posición de 130°
2. Posición de 110°
3. Posición de 90°

### Montaje inferior:

Reemplace el tornillo de retención de la puerta en la posición de retención de 90°.



1. Posición de 130°
2. Posición de 90°

Si la puerta no despeja la cubierta del gabinete después de ajustar la puerta, es posible que sea necesario biselar las cubiertas de los gabinetes.

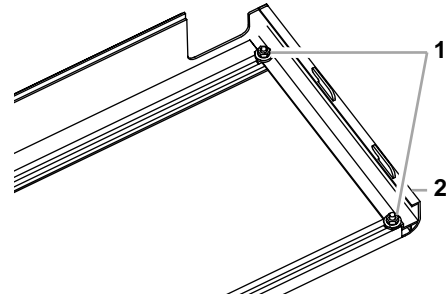
## Cómo instalar el panel decorativo superior

### Cómo agregar un panel decorativo a la ensambladura de la rejilla superior

1. Tome ambos extremos de la ensambladura de la rejilla superior.
2. Empuje el marco de la ensambladura de la rejilla superior hacia arriba y luego tire directamente hacia afuera. Coloque la ensambladura sobre una superficie de trabajo blanda.

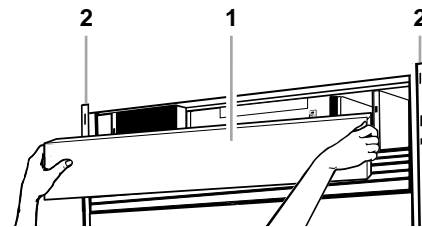


3. Quite las tuercas y el adorno lateral del lado derecho del marco de la ensambladura de la rejilla superior. Inserte el panel decorativo dentro del marco. Fije nuevamente el adorno lateral y las tuercas.



1. Tuercas
2. Adorno lateral de la rejilla superior

4. Fije nuevamente la ensambladura de la rejilla superior insertando los ganchos (ubicados en la parte trasera de la rejilla superior) en las ranuras del adorno lateral. Para asegurarlo en su sitio, tire del panel ligeramente hacia abajo.



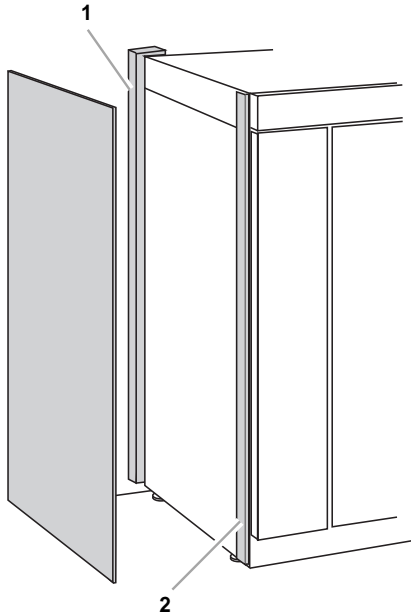
1. Rejilla superior
2. Adorno lateral del gabinete

**IMPORTANTE:** KitchenAid no es responsable de la remoción o adición de molduras o paneles decorativos que pudieran impedir darle servicio al refrigerador.

## Cómo instalar el panel lateral

Si el fondo del área para empotrar es de 25 pulg. (63,5 cm) o más, los paneles laterales pueden instalarse dentro del adorno lateral o afianzarse a la parte externa del adorno lateral.

1. Para la pieza que va dentro del adorno lateral, deslice el canto delantero del lado contorneado del panel dentro de la pieza de adorno.
2. Clave el canto trasero del panel al tablero de soporte.

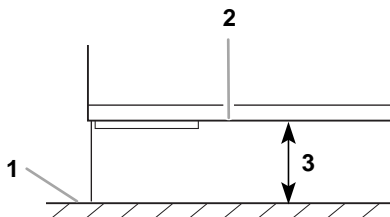


1. Tablero de soporte  
2. Pieza de adorno lateral

**IMPORTANTE:** KitchenAid no es responsable de la remoción o adición de molduras o paneles decorativos que pudieran impedir darle servicio al refrigerador.

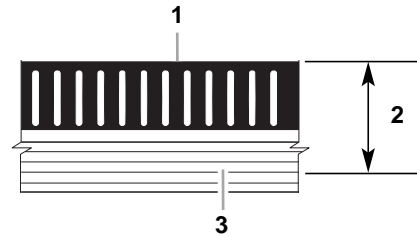
## Cómo instalar la rejilla de la base

1. Quite la rejilla de la base, el faldón y dos tornillos del paquete adherido al frente del refrigerador.
2. Abra la puerta del refrigerador y mida la distancia desde el fondo del gabinete del refrigerador al piso.



1. Piso  
2. Fondo del gabinete del refrigerador  
3. Distancia que debe medirse

3. Mida esta misma distancia desde la parte superior de la rejilla al surco "V" más cercana en el faldón de la rejilla. Use un cuchillo para rayar hacia abajo por el surco "V" y rompa el faldón por la raya que marcó.



1. Ensambladura de la rejilla y el faldón  
2. Distancia medida desde arriba según el paso 2  
3. Raya la ranura "V"

4. Deslice la ensambladura del faldón sobre la rejilla inferior.
5. Afiance la ensambladura del faldón y la rejilla inferior con los dos tornillos.

## Cómo terminar la instalación

1. Gire la válvula de la tubería de alimentación de agua a la posición "Abierta".
2. Gire el interruptor del refrigerador a la posición ON (encendido). Espere unos minutos. Busque fugas en las conexiones de la tubería de agua.
3. Abra las puertas del electrodoméstico y quite todas las cajas, paquetes de partes y materiales de empaque. Vea la sección "Limpieza" en la Guía de uso y cuidado, para las instrucciones. Quite la película protectora del marco de la puerta.
4. Instale los anaqueles y recipientes en el refrigerador y en los compartimientos del congelador.
5. Fije los controles del refrigerador y del compartimiento del congelador en su posición central. Verifique que el compresor esté funcionando correctamente y que todas las luces funcionen.
6. Enjuague el sistema de agua antes de utilizarlo. Vea "Preparación del sistema de agua" en la Guía de uso y cuidado.

**NOTA:** Si se sigue construyendo después de haber instalado el refrigerador, fije los controles en OFF (Apagado).

Para obtener el uso más eficiente de su nuevo refrigerador empotrado, lea la Guía de uso y cuidado. Conserve a mano las Instrucciones de instalación y la Guía de uso y cuidado del refrigerador empotrado para una consulta fácil.

# SÉCURITÉ DU RÉFRIGÉRATEUR

## Votre sécurité et celle des autres est très importante.

Nous donnons de nombreux messages de sécurité importants dans ce manuel et sur votre appareil ménager. Assurez-vous de toujours lire tous les messages de sécurité et de vous y conformer.



Voici le symbole d'alerte de sécurité.

Ce symbole d'alerte de sécurité vous signale les dangers potentiels de décès et de blessures graves à vous et à d'autres.

Tous les messages de sécurité suivront le symbole d'alerte de sécurité et le mot "DANGER" ou "AVERTISSEMENT". Ces mots signifient :

**⚠ DANGER**

Risque possible de décès ou de blessure grave si vous ne suivez pas immédiatement les instructions.

**⚠ AVERTISSEMENT**

Risque possible de décès ou de blessure grave si vous ne suivez pas les instructions.

Tous les messages de sécurité vous diront quel est le danger potentiel et vous disent comment réduire le risque de blessure et ce qui peut se produire en cas de non-respect des instructions.

**⚠ AVERTISSEMENT**



### Risque de basculement

Le réfrigérateur est lourd au sommet et bascule facilement lorsqu'il n'est pas complètement installé.

Garder les portes fermées avec un ruban adhésif jusqu'à l'installation complète du réfrigérateur.

Utiliser deux ou plus de personnes pour déplacer et installer le réfrigérateur.

Le non-respect de ces instructions peut causer un décès ou une blessure grave.

# EXIGENCES D'INSTALLATION

## Outillage et pièces nécessaires

### IMPORTANT :

- Respecter toutes les prescriptions des codes et règlements en vigueur.
- Installateur : Remettre les instructions d'installation au propriétaire.
- Propriétaire : Conserver les instructions d'installation pour référence ultérieure. Conserver ces instructions d'installation pour consultation par l'inspecteur local des installations électriques.
- Garder la pièce de carton ou de contreplaqué d'expédition sous le réfrigérateur jusqu'à son installation à l'emplacement de service.
- Observer les spécifications et dimensions d'installation.
- Enlever toute moulure ou tout panneau décoratif qui gêne l'entretien du réfrigérateur.
- Communiquer avec un électricien qualifié.
- Commander des panneaux d'origine, fabriquer des panneaux personnalisés ou consulter un ébéniste ou menuisier qualifié pour la fabrication des panneaux.

### Outillage requis :

S'assurer d'avoir tous les outils nécessaires pour une bonne installation :

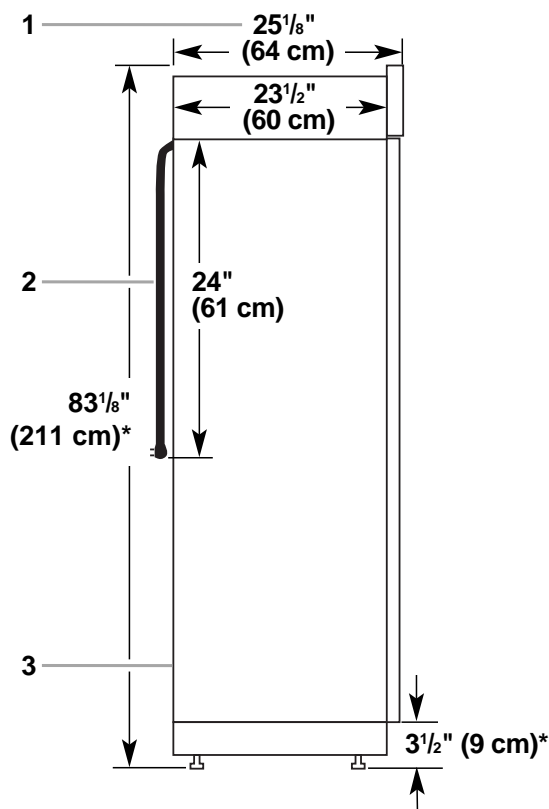
- |  |                                    |
|--|------------------------------------|
| ■ Perceuse manuelle ou électrique (convenablement reliée à la terre) | ■ Clés plates de 7/16 po et 1/2 po |
| ■ Forets   | ■ Tourne-écrou de 1/4 po           |
| ■ Deux clés à molette  | ■ Clé Allen de 5/32 po             |
| ■ Tournevis Phillips   | ■ Clé à douilles de 5/16 po        |

### Pièces nécessaires :

- Votre marchand de réfrigérateurs offre une trousse avec un robinet d'arrêt à étrier de 1/4 po (6,35 mm), un raccord et un tube en cuivre.
- Tube en cuivre de 1/4 po (6,35 mm) avec robinet d'arrêt
- Raccord à compression de 1/4 po (6,35 mm)
- 6 vis à bois no 8 x 3 po (7,6 cm) (il peut être nécessaire d'utiliser des vis plus longues)
- 1 ou 2 morceaux de bois de 2 po x 4 po x 32 po (5 cm x 10 cm x 81 cm)
- Panneaux personnalisés (fournis par le propriétaire)

## Dimensions du produit

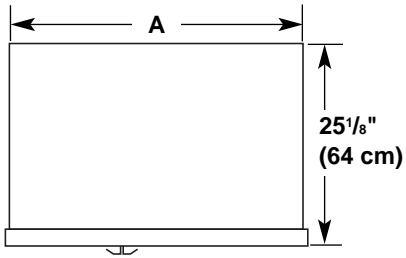
### Vue latérale (Tous les modèles)



1. 25 1/8 po (64 cm) est la dimension jusqu'à l'avant de la grille supérieure
2. Cordon d'alimentation (24 po [61 cm])
3. Tube de la canalisation d'eau de 5 pi (1,5 m) fixée à l'arrière avec du ruban

**REMARQUE :** (\*) Les dimensions indiquées correspondent à la situation où les pieds de nivellement déployés dépassent de 1/8 po (3 mm) au-dessous des roulettes. Lorsque les pieds sont totalement déployés de 1/4 po (32 mm) au-dessous des roulettes, ajouter 1 1/8 po (29 mm) à cette dimension.

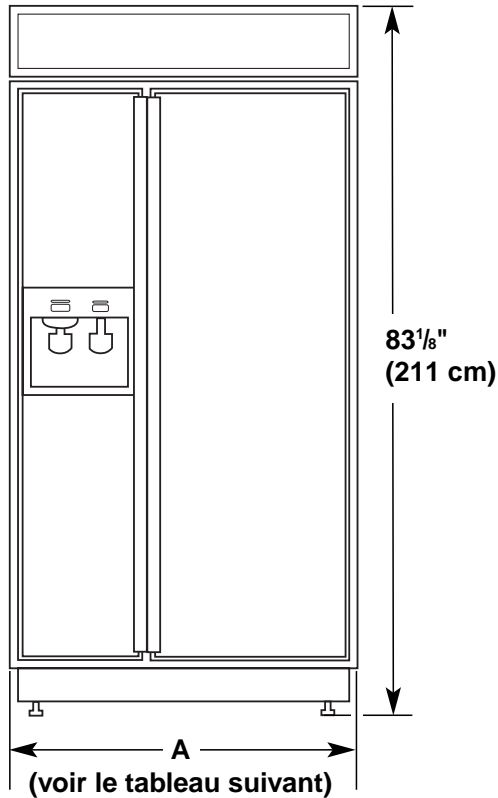
### Vue de dessus (Tous les modèles)



Modèle	Largeur A
36 po (91 cm)	35 po (89 cm)
42 po (106 cm)	41 po (104 cm)
48 po (122 cm)	47 po (119 cm)

### Vue avant pour les modèles côte à côte

**REMARQUE :** Les dimensions de largeur indiquées représentent la distance de garniture extérieure à garniture extérieure.

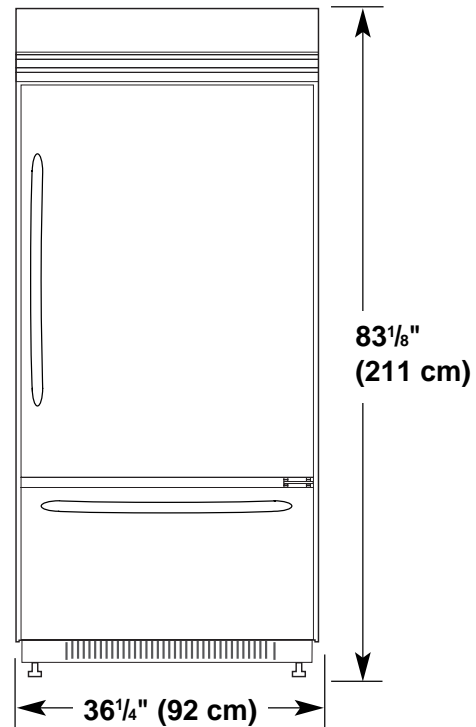


Largeur du réfrigérateur :

Modèle	Largeur A (tel qu'illustré ci-dessus)
36 po (91 cm)	36 1/4 po (92 cm)
42 po (106 cm)	42 1/4 po (107 cm)
48 po (122 cm)	48 1/4 po (123 cm)

### Vue avant pour les modèles superposés

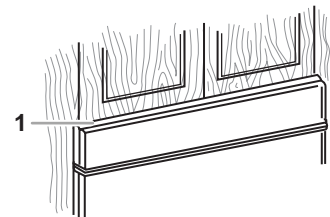
**REMARQUE :** Les dimensions de largeur indiquées représentent la distance de garniture extérieure à garniture extérieure.



### Dimensions de l'ouverture

Le réfrigérateur encastré peut être installé dans une cavité d'encastrement entre des placards ou à l'extrémité de la rangée de placards, ce qui entraînerait l'utilisation d'un panneau latéral pour recouvrir le côté du réfrigérateur.

**REMARQUE :** L'installation nécessite un dégagement de 1/2 po (12,7 mm) pour l'enlèvement de la grille supérieure et un déplacement d'air adéquat.



1. Un espace de 1/2 po (12,7 mm) est requis.

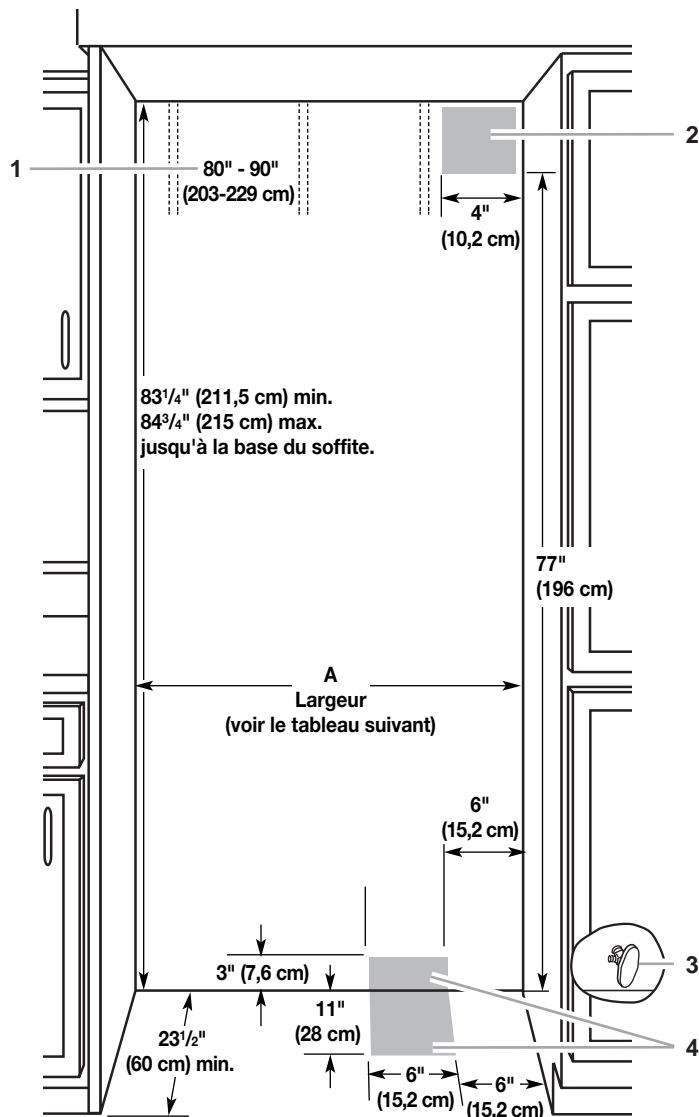
### Préparation de l'emplacement :

- Des poteaux de colombage doivent se trouver sur le mur arrière de 80 à 90 po (203 à 229 cm) au-dessus du plancher.

**REMARQUE :** Le soffite massif doit se trouver au plus en deçà de 1 po (2,5 cm) au-dessus du réfrigérateur. Si le soffite massif se trouve à plus de 1 po (2,5 cm) ou si un soffite n'est pas disponible, le réfrigérateur doit être arrimé pour l'empêcher de basculer en cours de service. Voir la section "Installation de planches antibasculément".



2. La prise de courant reliée à la terre devrait être installée dans la zone grise supérieure, à 4 po (10,2 cm) du côté droit des placards ou du panneau d'extrémité (voir la section "Installation électrique").
3. Le robinet d'arrêt devrait se trouver dans le placard inférieur, d'un côté ou l'autre du réfrigérateur. Le côté droit est recommandé. Le trou d'accès à travers le placard de droite doit se trouver en deçà de ½ po (12,7 mm) du mur arrière.
4. Le trou de ½ po (12,7 mm) pour la plomberie devrait se trouver dans la zone grise inférieure (voir la section "Raccordement de la canalisation d'eau"). La canalisation d'eau peut être acheminée à travers le plancher ou le mur. Si l'emplacement recommandé de la canalisation d'eau est utilisé, il n'est pas nécessaire d'acheter de tuyauterie supplémentaire.



1. Emplacement des poteaux de colombage
2. Emplacement de la prise de courant reliée à la terre
3. Emplacement recommandé du robinet d'arrêt d'eau
4. Emplacement du trou de la canalisation et de la canalisation d'eau (mur ou plancher)

#### Largeur de l'ouverture :

Modèle	Largeur A (tel qu'illustré ci-dessus)
36 po (91,4 cm)	35½ po (90,2 cm)
42 po (106,7 cm)	41½ po (105,4 cm)
48 po (121,9 cm)	47½ po (120,7 cm)

### Exigences d'emplacement

## ⚠ AVERTISSEMENT



#### Risque d'explosion

**Garder les matériaux et les vapeurs inflammables, telle que l'essence, loin du réfrigérateur.**

**Le non-respect de cette instruction peut causer un décès, une explosion ou un incendie.**

#### REMARQUES :

- Ne pas installer le réfrigérateur près d'un four, d'un radiateur ou d'une autre source de chaleur, ni dans un endroit où la température baissera au-dessous de 55°F (13°C).
- Le plancher doit supporter le poids du réfrigérateur, plus de 600 lb (272 kg), des panneaux de porte et du contenu.
- La hauteur du plafond doit permettre le rayon de basculement latéral ou avant (voir la section "Rayon de basculement").
- L'emplacement devrait permettre l'ouverture complète des portes (voir la section "Dimensions de l'ouverture des portes").

## Spécifications électriques

### **⚠️ AVERTISSEMENT**



#### Risque de choc électrique

**Brancher sur une prise à 3 alvéoles reliée à la terre.**

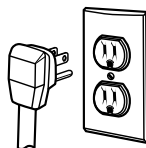
**Ne pas enlever la broche de liaison à la terre.**

**Ne pas utiliser un adaptateur.**

**Ne pas utiliser un câble de rallonge.**

**Le non-respect de ces instructions peut causer un décès, un incendie ou un choc électrique.**

Avant de placer le réfrigérateur à son emplacement final, il est important de vous assurer d'avoir la connexion électrique appropriée :



#### Méthode recommandée de mise à la terre

Une source d'alimentation de 115 volts, 60 Hz, type 15 ou 20 ampères CA seulement, protégée par fusible et adéquatement mise à la terre est nécessaire. Il est recommandé d'utiliser un circuit distinct pour alimenter uniquement votre réfrigérateur. Utiliser une prise murale qui ne peut pas être mise hors circuit à l'aide d'un commutateur. Ne pas utiliser de cordon de rallonge.

**IMPORTANT :** Si ce produit est connecté à une prise protégée par un disjoncteur de fuite à la terre, un déclenchement intempestif peut se produire et causer une perte de refroidissement. La qualité et la saveur des aliments risquent d'être affectées. Si un déclenchement intempestif se produit et si les aliments semblent de piètre qualité, jeter le tout.

**REMARQUE :** Avant d'exécuter tout type d'installation, nettoyage ou remplacement d'une ampoule d'éclairage, tourner le réglage (réglage du thermostat, du réfrigérateur ou du congélateur selon le modèle) à OFF (arrêt) et mettre le commutateur marche/arrêt à OFF (voir la section "Utilisation des commandes" dans le Guide d'utilisation et d'entretien) ou déconnecter l'alimentation au boîtier de disjoncteurs.

Lorsque vous avez terminé, mettre le commutateur marche/arrêt à ON (voir la section "Utilisation des commandes" dans le Guide d'utilisation et d'entretien) ou reconnecter l'alimentation au boîtier de disjoncteurs. Puis mettre de nouveau le réglage (réglage du thermostat, du réfrigérateur ou du congélateur selon le modèle) au réglage désiré.

## Spécifications de l'alimentation en eau

Lire attentivement toutes les instructions avant de commencer.

### IMPORTANT :

- Si on doit utiliser le réfrigérateur avant qu'il ne soit raccordé à la canalisation d'eau, placer la commande de la machine à glaçons à la position d'arrêt (OFF).
- Toutes les installations doivent être conformes aux exigences des codes locaux de plomberie.
- Utiliser un tube en cuivre et vérifier s'il y a des fuites. Installer les tuyaux en cuivre seulement là où les températures domestiques resteront au-dessus du point de congélation.

**REMARQUE :** Votre marchand de réfrigérateurs offre une trousse avec un robinet d'arrêt à étrier de 1/4 po (6,35 mm), un raccord et un tube en cuivre. Avant l'achat, s'assurer que le robinet d'arrêt à étrier est conforme aux codes locaux de plomberie. Ne pas employer de robinet d'arrêt à étrier de 3/16 po (4,76 mm) ou de type à percer, ce qui réduit le débit d'eau et cause une obstruction plus facilement.

### Arrivée d'eau froide

Connecter la machine à glaçons à une canalisation d'eau froide avec une pression d'eau de 15 à 120 lb-po<sup>2</sup> (103-690 kPa). Si vous avez des questions au sujet de la pression d'eau, contacter la compagnie de distribution d'eau.

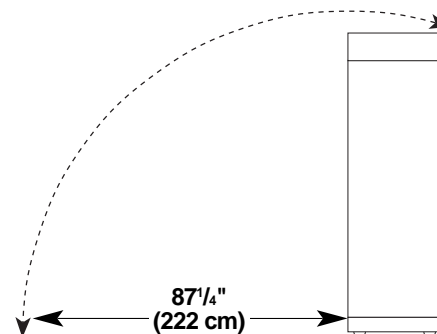
## Rayon de basculement

Avant d'apporter le réfrigérateur dans le domicile, s'assurer que la hauteur du plafond est suffisante pour mettre le réfrigérateur en position verticale.

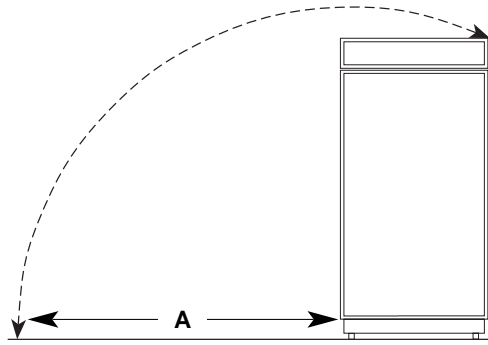
### REMARQUES :

- Si le réfrigérateur est installé sur un chariot à roulettes, on doit ajouter la hauteur du chariot au rayon de basculement.
- Pour réduire le rayon de basculement, voir la section "Réduction du rayon de basculement".

### Rayon de basculement avant (identique sur tous les modèles)



**Rayon de basculement latéral (voir le tableau suivant)**



**Rayon de basculement latéral :**

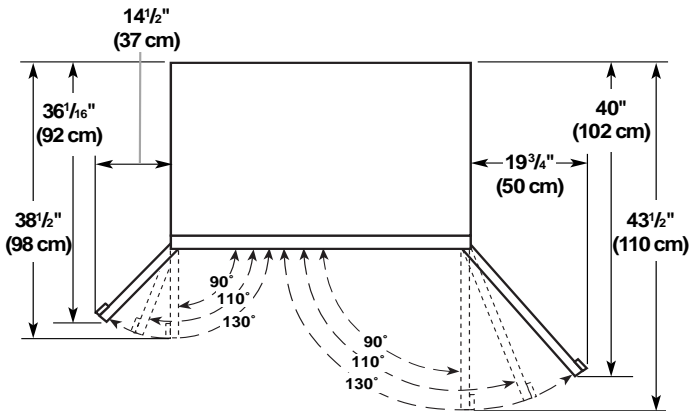
Modèle	Rayon de basculement A
36 po (91,4 cm)	90½ po (229,9 cm)
42 po (106,7 cm)	93 po (236,2 cm)
48 po (121,9 cm)	96 po (243,8 cm)

**Dimensions pour le pivotement des portes**

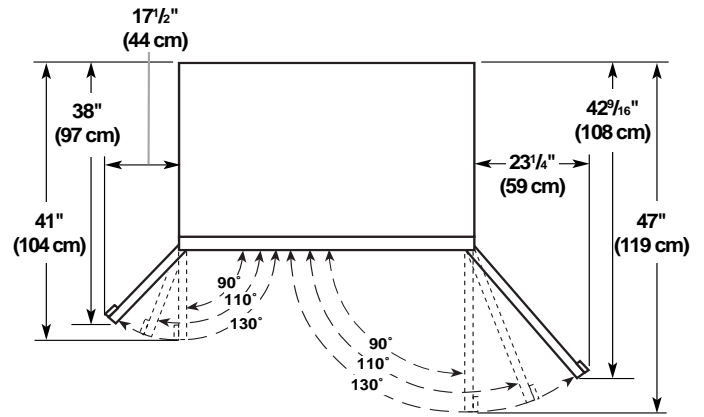
**Dimensions pour le pivotement des portes – Réfrigérateurs côte à côte**

L'emplacement d'installation doit permettre l'ouverture des portes à un angle minimal de 90°. Laisser un espace libre d'au moins 4¼ po (11,4 cm) entre le côté du réfrigérateur et le mur formant l'angle. Pour ajuster l'ouverture des portes, voir la section "Ajustement des portes".

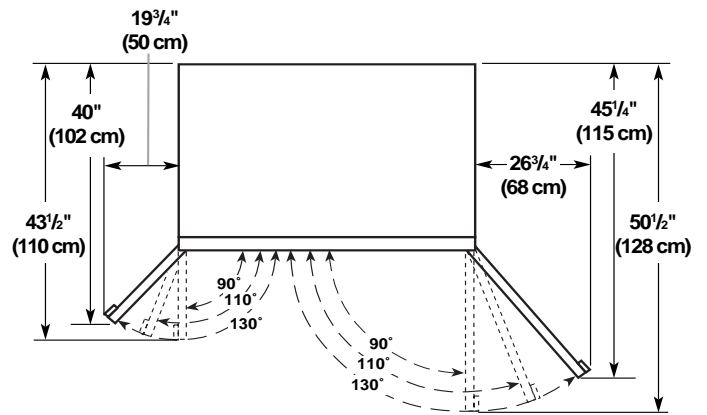
**Modèles de 36 po (91 cm)**



**Modèles de 42 po (106 cm)**



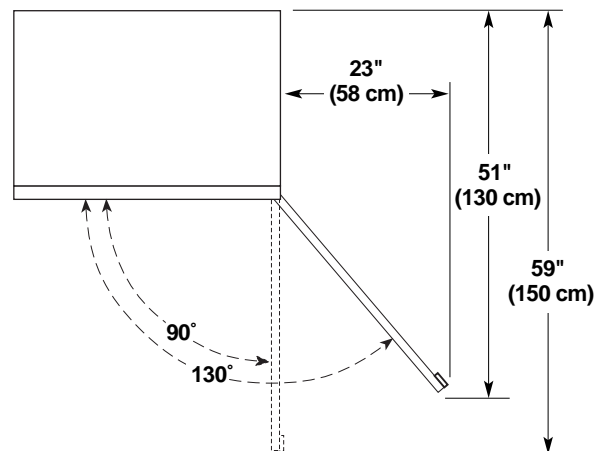
**Modèles de 48 po (122 cm)**



**Dimensions pour le pivotement des portes des modèles superposés**

L'emplacement d'installation doit permettre l'ouverture des portes à un angle minimal de 90°. Pour les modèles à panneaux, laisser un espace libre d'au moins 1 po (2,5 cm) entre le côté du réfrigérateur et le mur formant l'angle. Pour les modèles sans garniture, laisser un espace libre d'au moins 4½ po (11,4 cm) entre le côté du réfrigérateur et le mur formant l'angle. Pour ajuster l'ouverture des portes, voir la section "Ajustement des portes".

**Modèles de 36 po (91 cm)**



## Ensembles de panneaux d'origine

### Ensembles de panneaux et de poignées d'origine – réfrigérateurs côte à côte

Toutes les pièces d'origine sont disponibles par l'entremise de votre marchand KitchenAid ou en téléphonant à Pièces et accessoires KitchenAid au **1-800-442-9991**.

### Ensembles de panneaux de porte d'origine

Quatre ensembles contenant des panneaux de porte et de grille supérieure, en acrylique de couleur ou en acier inoxydable sont disponibles. Suivre les instructions de l'ensemble pour l'installation des panneaux.

**REMARQUE :** Les ensembles de panneaux ne sont pas requis pour les modèles à panneaux en acier inoxydable d'origine ou les modèles à portes enveloppantes.

### Numéros de pièce des panneaux de porte pour modèles sans distributeur

Couleur	36 po (91 cm)	42 po (106 cm)	48 po (122 cm)
Blanc	n° 2220852	n° 2220853	n° 2220854
Noir	n° 2220855	n° 2220856	n° 2220857
Biscuit	n° 2220858	n° 2220859	n° 2220860
Acier inoxydable	n° 2220861	n° 2220862	n° 2220863

### Numéros de pièce des panneaux de porte pour modèles avec distributeur

Couleur	36 po (91 cm)	42 po (106 cm)	48 po (122 cm)
Blanc	n° 2220864	n° 2220865	n° 2220866
Noir	n° 2220867	n° 2220868	n° 2220869
Biscuit	n° 2220870	n° 2220871	n° 2220872
Acier inoxydable	n° 2220873	n° 2220874	n° 2220875

### Ensembles de poignées de porte prolongées

Utiliser les poignées de porte prolongées lorsqu'un écart additionnel pour les doigts est requis entre les poignées de porte et le panneau personnalisé. Suivre les instructions de l'ensemble pour l'installation des poignées de porte.

Couleur	Numéro de pièce
Blanc	n° 4387990
Noir	n° 8171418
Biscuit	n° 8171417
Acier inoxydable	n° 4388062
Aluminium mat	n° 4387989

### Ensembles de panneaux de grille supérieure et poignées – réfrigérateurs superposés

Toutes les pièces d'origine sont disponibles par l'entremise de votre marchand KitchenAid ou en téléphonant à Pièces et accessoires KitchenAid au **1-800-442-9991**.

### Ensembles de panneaux de porte d'origine

Quatre ensembles contenant des panneaux de porte et de grille supérieure en acrylique de couleur ou en acier inoxydable sont disponibles. Suivre les instructions de l'ensemble pour l'installation des panneaux.

**REMARQUE :** Les ensembles de panneaux ne sont pas requis pour les modèles à panneaux en acier inoxydable d'origine ou les modèles à portes enveloppantes.

### Numéros de pièce des panneaux de porte pour modèles de 36 po (91 cm)

Couleur	36 po (91 cm)
Blanc	n° 2220952
Noir	n° 2220953
Biscuit	n° 2220954
Acier inoxydable	n° 2220955

### Ensemble de la grille supérieure

Des ensembles de panneau de la grille supérieure de 72 po (183 cm) de large sont disponibles. Ces ensembles permettent l'installation côte à côte de 2 réfrigérateurs (l'un à ouverture vers la gauche et l'autre vers la droite) avec une seule grille.

### Ensemble de la grille supérieure pour les modèles à panneaux

Couleur	72 po (183 cm)
Blanc	n° 2220927
Noir	n° 2220928
Biscuit	n° 2220929
Acier inoxydable	n° 2220876

### Ensemble de la grille supérieure pour les modèles à portes enveloppantes

Couleur	Numéro de pièce
Noir	n° 2220960
Acier inoxydable	n° 2220877

## Ensembles de poignées de porte prolongées

Utiliser les poignées de porte prolongées lorsqu'un écart additionnel pour les doigts est requis entre les poignées de porte et le panneau personnalisé. Suivre les instructions de l'ensemble pour l'installation des poignées de porte.

Couleur	Ouverture vers la gauche	Ouverture vers la droite
Blanc	n° 4396119	n° 8171424
Noir	n° 4396116	n° 8171427
Biscuit	n° 4396117	n° 8171426
Acier inoxydable	n° 4396118	n° 8171425
Aluminium mat	n° 4396120	n° 8171423

## Panneaux personnalisés de la grille supérieure et de porte

Si vous prévoyez installer des panneaux personnalisés en bois, vous devrez les créer vous-même ou consulter un ébéniste ou menuisier qualifié. Voir les dessins dimensionnels pour les spécifications des panneaux.

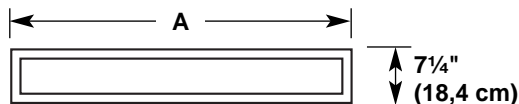
**IMPORTANT :** Les panneaux de poids supérieur au poids recommandé risquent d'endommager le réfrigérateur.

**REMARQUE :** Les dimensions indiquées ont une tolérance de ( $\pm$ )  $\frac{1}{16}$  po (1,5 mm). Les panneaux dont l'épaisseur est supérieure à  $\frac{1}{4}$  po (6 mm) doivent faire l'objet d'un usinage. Si l'épaisseur des panneaux est inférieure à  $\frac{1}{4}$  po (6 mm), installer un panneau de remplissage entre les portes et les panneaux décoratifs.

### Panneaux personnalisés côte à côte de la grille supérieure et de la porte

#### Panneau de la grille supérieure

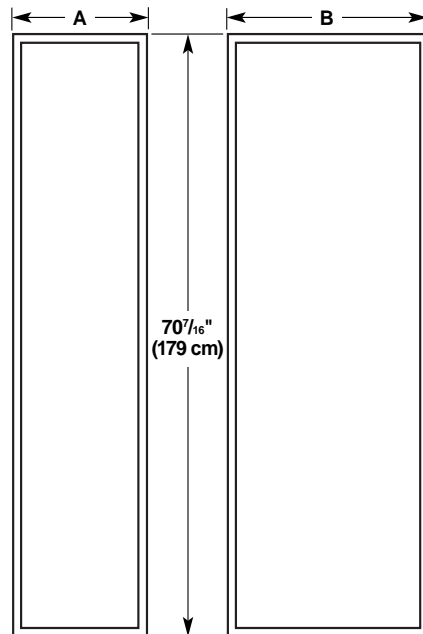
Le panneau supérieur ne doit pas peser plus de 10 lb. (4,5 kg).



Modèle	A
36 po (91 cm)	35 $\frac{3}{8}$ po (90 cm)
42 po (106 cm)	41 $\frac{3}{8}$ po (105 cm)
48 po (122 cm)	47 $\frac{3}{8}$ po (120 cm)

## Panneaux de porte pour modèles sans distributeur

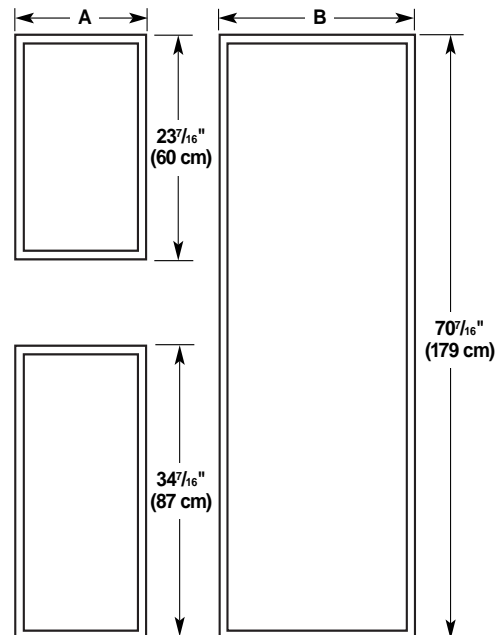
Le panneau du congélateur ne doit pas peser plus de 30 lb. (13,5 kg). Le panneau du réfrigérateur ne doit pas peser plus de 50 lb. (23 kg).



Modèle	A	B
36 po (91 cm)	14 $\frac{1}{4}$ po (36 cm)	19 $\frac{1}{4}$ po (49 cm)
42 po (106 cm)	16 $\frac{3}{4}$ po (43 cm)	22 $\frac{3}{4}$ po (58 cm)
48 po (122 cm)	19 $\frac{1}{4}$ po (49 cm)	26 $\frac{1}{4}$ po (67 cm)

## Panneaux de porte pour modèles avec distributeur

Les deux panneaux de congélateur combinés ne devraient pas peser plus de 30 lb. (13,5 kg). Le panneau du réfrigérateur ne doit pas peser plus de 50 lb. (23 kg).

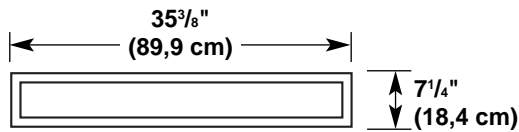


Modèle	A	B
36 po (91 cm)	14 $\frac{1}{4}$ po (36 cm)	19 $\frac{1}{4}$ po (49 cm)
42 po (106 cm)	16 $\frac{3}{4}$ po (43 cm)	22 $\frac{3}{4}$ po (58 cm)
48 po (122 cm)	19 $\frac{1}{4}$ po (49 cm)	26 $\frac{1}{4}$ po (67 cm)

## Panneaux personnalisés de la grille supérieure et de la porte – réfrigérateurs superposés

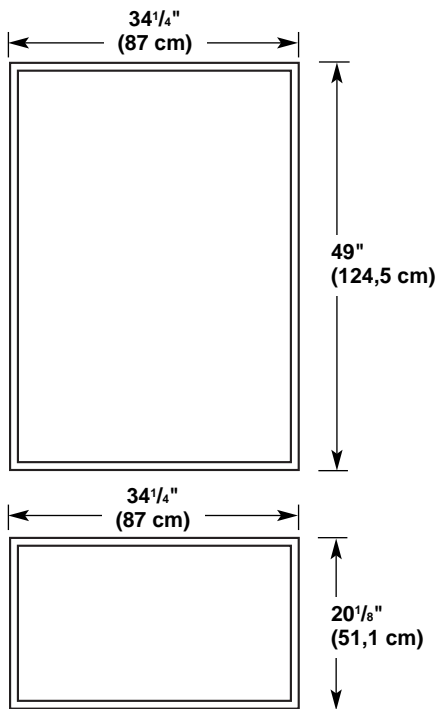
### Panneau de la grille supérieure

Le panneau supérieur ne doit pas peser plus de 10 lb. (4,5 kg).



### Panneaux de porte de réfrigérateur et de congélateur

Le panneau du congélateur ne doit pas peser plus de 20 lb. (9 kg). Le panneau du réfrigérateur ne doit pas peser plus de 60 lb. (27 kg).



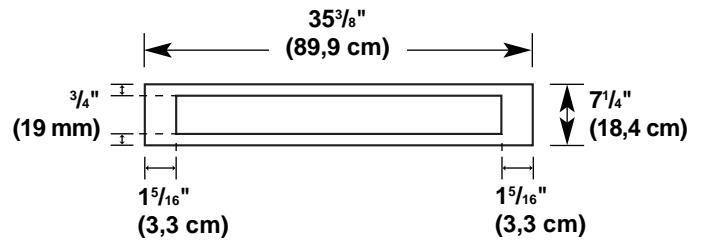
## Usinage pour les panneaux personnalisés de la grille supérieure et de la porte (tous les modèles)

Les panneaux personnalisés de plus de  $\frac{1}{4}$  po (6 mm) d'épaisseur, doivent avoir leurs rives usinées de  $\frac{1}{4}$  po (6 mm) d'épaisseur pour entrer dans la garniture sur le produit.

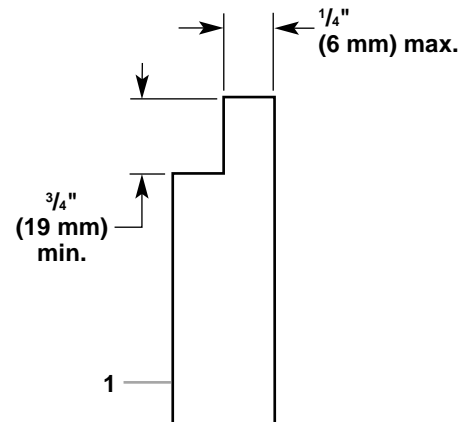
### Usinage du panneau de la grille supérieure

Les rives supérieure et inférieure du panneau supérieur devraient être usinées de  $\frac{3}{4}$  po (19 mm) et les deux extrémités devraient être usinées sur les rives de  $1\frac{5}{16}$  po (3,3 cm) tel qu'illustré.

### Dimensions pour l'usinage des rives du panneau de la grille supérieure (vue avant)

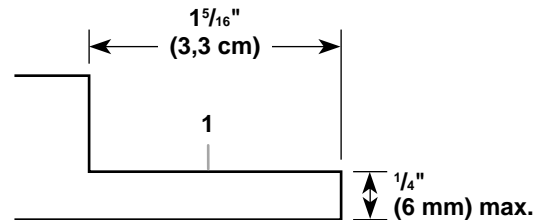


### Dimensions pour l'usinage des rives supérieure et inférieure du panneau de la grille supérieure (vue latérale)



1. Panneau de la grille supérieure

### Dimensions pour l'usinage des rives gauche et droite du panneau de la grille supérieure (vue latérale)

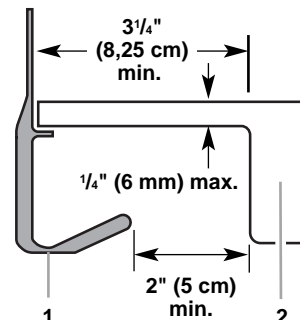


1. Panneau de la grille supérieure

### Usinage du panneau de porte

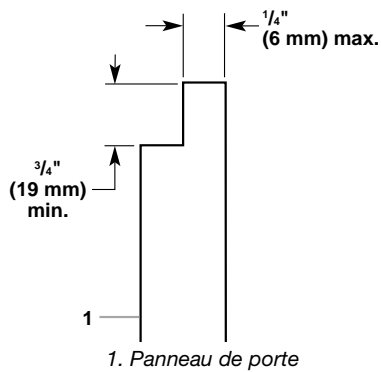
Usiner de  $\frac{3}{4}$  po (8,25 cm) les sections complètes du côté poignée des panneaux.

### Dimensions pour l'usinage du côté poignée du panneau de porte (vue de l'extrémité)



1. Poignée  
2. Panneau de porte

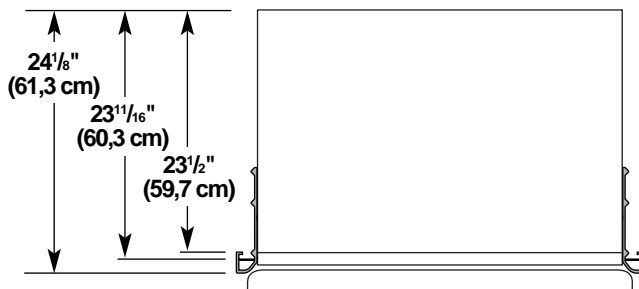
## Dimensions pour l'usinage du panneau de porte (vue latérale)



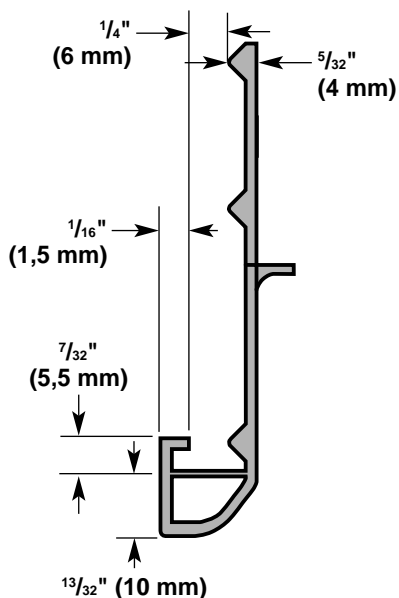
## Panneaux latéraux personnalisés

### Panneaux latéraux pour réfrigérateurs côte à côte et superposés

La largeur et la hauteur du panneau latéral sont déterminées en fonction du type d'installation. L'épaisseur du panneau latéral doit être d'au moins  $\frac{1}{2}$  po (12 mm) pour prévenir le gauchissement. Les dimensions indiquées sont les dimensions réelles du produit et ne reflètent pas nécessairement les dimensions d'installation requises. Installer la tringle d'appui (facultatif) du panneau latéral sur la paroi arrière si la profondeur de l'ouverture est de 25 po (63,5 cm) ou plus.

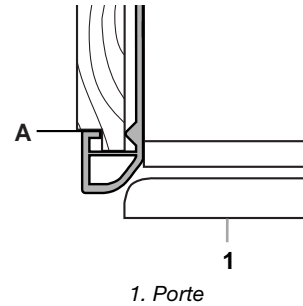


### Vue de l'extrémité des dimensions de la garniture latérale :



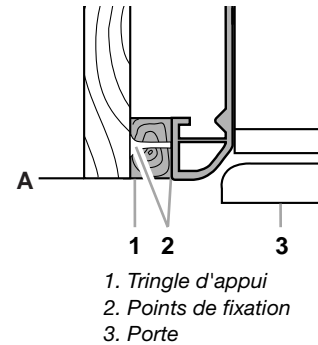
## Panneau latéral inséré

- Mesurer la distance du point A (tel qu'illustré) à la paroi arrière. Ajouter  $\frac{7}{32}$  po (5,6 mm) à cette mesure pour que le panneau latéral entre dans la garniture.
- Si le panneau a plus de  $\frac{1}{4}$  po (6 mm) d'épaisseur, usiner la rive avant du panneau pour que l'insertion soit possible.



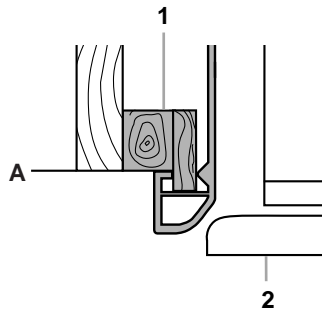
## Panneau latéral en affleurement

- Mesurer la distance du point A (tel qu'illustré) à la paroi arrière.
- Fixer la tringle d'appui avec une vis ou un adhésif compatible avec l'aluminium et le bois.



## Panneau latéral inséré en retrait

1. Mesurer la distance du point A (tel qu'illustré) à la paroi arrière.
2. Usiner la rive avant de la tringle d'appui ou installer une autre planchette de ¼ po (6 mm) pour la rétention dans la garniture latérale de la caisse.



1. Tringle d'appui  
2. Porte

# INSTRUCTIONS D'INSTALLATION

## Déballage du réfrigérateur

### **AVERTISSEMENT**



#### Risque de basculement

Le réfrigérateur est lourd au sommet et bascule facilement lorsqu'il n'est pas complètement installé.

Garder les portes fermées avec un ruban adhésif jusqu'à l'installation complète du réfrigérateur.

Utiliser deux ou plus de personnes pour déplacer et installer le réfrigérateur.

Le non-respect de ces instructions peut causer un décès ou une blessure grave.

#### IMPORTANT :

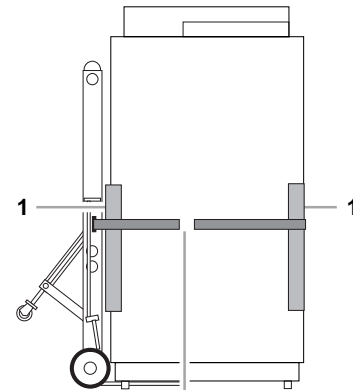
- Ne pas abaisser le réfrigérateur sur la base utilisée pour l'expédition, lors de l'extraction de la base.
- Ne pas ôter la pellicule protectrice avant que le réfrigérateur ne soit à la position de service.

- Les quatre pieds de nivellement doivent toucher le plancher pour supporter et stabiliser le poids total du réfrigérateur.
- Garder la pièce de carton ou de contreplaqué d'expédition sous le réfrigérateur jusqu'à son installation à l'emplacement de service.

1. Enlever et conserver le sachet de documents et le sachet de pièces fixés par du ruban adhésif sur la porte du réfrigérateur. Enlever les quatre brides (deux de chaque côté) fixant la base utilisée pour expédition sous le réfrigérateur.

**REMARQUE :** Ne pas enlever les rubans adhésifs et articles d'arrimage des portes avant que le réfrigérateur ne soit placé à sa position finale.

2. Introduire le chariot de manipulation sous le réfrigérateur, côté congélateur. Faire passer la sangle sous les poignées et entourer le réfrigérateur avec la sangle du chariot, sans serrer. Insérer les cornières de protection en carton entre la sangle et les garnitures latérales et poignées. Serrer prudemment la sangle – vérifier que la garniture latérale est bien protégée.



1. Cornières de protection par-dessus la garniture latérale  
2. Cornières de protection par-dessus la poignée

3. Placer des pièces de carton d'expédition sur le plancher lorsqu'on utilise un chariot pour faire entrer le réfrigérateur dans le domicile. Approcher le réfrigérateur près de la cavité d'encastrement.

## Réduction du rayon de basculement (si requise)

Si la hauteur du plafond n'est pas suffisante pour mettre le réfrigérateur debout, le rayon de basculement peut être réduit en enlevant la grille supérieure et les garnitures latérales (voir le tableau suivant).

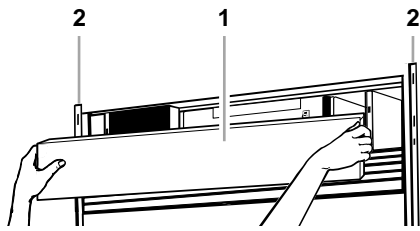
Modèle	Rayon de basculement réduit
36 po (91,4 cm)	88 po (223,5 cm)
42 po (106,7 cm)	88½ po (224,8 cm)
48 po (121,9 cm)	89¼ po (226,7 cm)

**REMARQUE :** Pour éviter de heurter le boîtier du compresseur sur le plafond, le réfrigérateur doit être relevé en plaçant d'abord le bord inférieur gauche du réfrigérateur sur le plancher, puis en mettant le réfrigérateur debout et en abaissant le côté droit du réfrigérateur sur le plancher.



## Modèles à panneaux

1. Saisir les deux extrémités de la grille supérieure.
2. Pousser l'ensemble cadre/grille supérieure tout droit vers le haut, puis tout droit vers l'extérieur. Placer l'ensemble de la grille sur une surface molle.

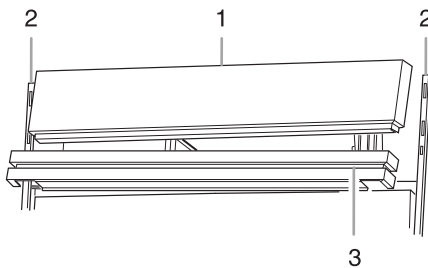


1. Grille supérieure  
2. Garniture latérale de la caisse

3. Enlever les six vis fixant chaque garniture latérale de la caisse au réfrigérateur et enlever les garnitures latérales.
4. Mettre le réfrigérateur en position verticale en plaçant d'abord le bord inférieur gauche du réfrigérateur sur le plancher, puis en mettant le réfrigérateur debout et en abaissant le côté droit du réfrigérateur sur le plancher.
5. Réinstaller la garniture et la grille supérieure après avoir dégagé le chariot du réfrigérateur.

## Modèles à portes enveloppantes

1. Saisir les deux extrémités du panneau à jalousies. Pousser le panneau à jalousies tout droit vers le haut, puis tout droit vers l'extérieur. Placer le panneau sur une surface molle.
2. Saisir les deux extrémités de la grille supérieure. Pousser la grille supérieure tout droit vers le haut, puis tout droit vers l'extérieur. Placer la grille supérieure sur une surface molle.



1. Grille supérieure  
2. Garniture latérale de la caisse  
3. Panneau à jalousies

3. Enlever les six vis fixant chaque garniture latérale de la caisse au réfrigérateur et enlever les garnitures latérales.
4. Mettre le réfrigérateur en position verticale en plaçant d'abord le bord inférieur gauche du réfrigérateur sur le plancher, puis en mettant le réfrigérateur debout et en abaissant le côté droit du réfrigérateur sur le plancher.
5. Réinstaller la garniture et la grille supérieure après avoir dégagé le chariot du réfrigérateur.

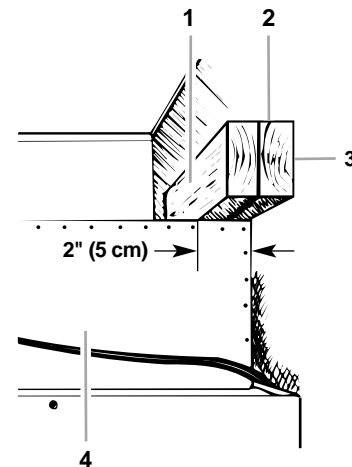
## Installation de planches anti-basculement

### IMPORTANT :

- Le soffite massif doit se trouver au plus en deçà de 1 po (2,5 cm) au-dessus du réfrigérateur. Si le soffite massif se trouve à plus de 1 po (2,5 cm) ou si aucun soffite n'est disponible, procéder comme suit pour empêcher tout basculement du réfrigérateur en cours de service.
- On recommande la mise en place d'une ou de plusieurs planches avant l'installation du réfrigérateur.
- Il faut que la ou les planches soit(soient) assez longue(s) pour recouvrir complètement le couvercle du compresseur sur toute la largeur.
- Positionner la planche de telle manière que la surface inférieure soit à 84 po (213 cm) du plancher.
- Durant l'installation, soulever le réfrigérateur pour que la distance résiduelle entre le sommet du réfrigérateur et la surface inférieure de la ou des planche(s) antibasculement soit de ¼ po (6,4 mm) maximum. Veiller à NE PAS écraser le couvercle du condenseur lors du soulèvement des pieds de nivellement arrière.

### Installation des planches antibasculement

1. Marquer la position des poteaux de colombage sur le mur arrière à 80-90 po (203-229 cm) au-dessus du plancher.
2. Fixer solidement une ou deux planches de bois de 2 x 4 x 32 po (5 cm x 10 cm x 81 cm) sur les poteaux de colombage derrière le réfrigérateur. Utiliser 6 vis à bois n° 8 x 3 po (7,6 mm) ou plus longues. Les vis de fixation doivent pénétrer dans les poteaux d'au moins 1½ po (3,8 cm). La ou les planche(s) doit(doivent) être placée(s) en chevauchement sur le couvercle du compresseur.



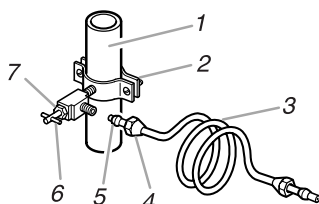
1. Centrer la planche à un maximum de ¼ po (6 mm) au-dessus du réfrigérateur.
2. Deux planches de 2 po x 4 po x 32 po (5 cm x 10 cm x 81 cm)
3. Fixer aux poteaux avec 6 vis n° 8 x 3 po (7,6 cm)
4. Couvercle du compresseur

## Installation d'une nouvelle canalisation d'eau

(si requise)

**Outils requis :** Tournevis standard,  $\frac{7}{16}$  po et des clés plates de  $\frac{1}{2}$  po ou deux clés à molette, un tourne-écrou et un foret de  $\frac{1}{4}$  po, une perceuse manuelle ou électrique (convenablement reliée à la terre).

1. Débrancher le réfrigérateur ou couper le courant.
2. FERMER le robinet principal d'arrivée d'eau. OUVRIR le robinet de puisage le plus proche pendant une période suffisante pour que la canalisation d'eau se vide.
3. Trouver une canalisation d'eau FROIDE verticale de  $\frac{1}{2}$  po à  $1\frac{1}{4}$  po (12,7 mm à 3,18 cm) près du réfrigérateur.  
**REMARQUE :** Un conduit horizontal fonctionnera, mais percer par le dessus de la canalisation et non pas par le dessous. Ainsi, l'eau ne risquera pas d'arroser la perceuse. Ceci empêche également les sédiments qu'on trouve normalement dans l'eau de s'accumuler dans le robinet d'arrêt.
4. Déterminer la longueur du tube de cuivre nécessaire. Mesurer la distance entre le point de connexion inférieur gauche à l'arrière du réfrigérateur et le tuyau d'arrivée d'eau. Ajouter 7 pi (2,1 m) pour permettre le déplacement du réfrigérateur pour le nettoyage. Utiliser un tube en cuivre de  $\frac{1}{4}$  po (6,35 mm) de diamètre extérieur. Veiller à ce que le tube soit coupé à l'équerre aux deux extrémités.
5. À l'aide d'une perceuse électrique reliée à la terre, percer un trou de  $\frac{1}{4}$  po (6,35 mm) dans la canalisation d'eau froide choisie.



1. Canalisation d'eau froide
2. Bride de tuyau
3. Tube en cuivre
4. Écrou de compression
5. Bague de compression
6. Robinet d'arrêt
7. Écrou de serrage

6. Fixer le robinet d'arrêt sur la canalisation d'eau froide avec la bride de tuyau. Vérifier que le raccord du robinet est bien engagé dans le trou de  $\frac{1}{4}$  po (6,35 mm) percé dans la canalisation et que la rondelle d'étanchéité est placée sous la bride du tuyau. Serrer l'écrou de serrage. Serrer soigneusement et uniformément les vis fixant la bride de tuyau sur la tuyauterie afin que la rondelle forme une jonction étanche. Ne pas serrer excessivement car ceci pourrait provoquer l'écrasement du tube en cuivre.
7. Enfiler l'écrou et la bague de compression du raccord sur le tube en cuivre tel qu'illustré. Insérer carrément l'extrémité du tube aussi loin que possible dans l'ouverture de sortie du robinet d'arrêt. Visser l'écrou de compression sur le raccord de sortie avec une clé à molette. Ne pas serrer excessivement.
8. Placer le bout libre du tube dans un contenant ou évier et OUVRIR le robinet principal d'arrivée d'eau. Laisser l'eau s'écouler par le tube jusqu'à ce qu'elle soit limpide. FERMER le robinet principal d'arrivée d'eau. Enrouler le tube en cuivre en spirale.
9. Acheminer le tube en cuivre au réfrigérateur.

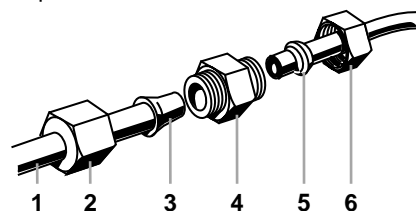
## Raccordement de la canalisation d'eau

1. Enlever le ruban d'expédition du serpentín gris pour l'eau à l'arrière du réfrigérateur.
2. Avant de raccorder le tube en cuivre au réfrigérateur, purger le tube en cuivre en laissant couler au moins deux pintes (1,9 L) d'eau dans un seau pour éliminer toute particule de la canalisation.
3. Vérifier s'il y a des fuites autour du robinet d'arrêt à étrier. Ne pas serrer excessivement la bride ou la bague. Ceci provoquera l'écrasement du tube en cuivre.
4. Effectuer le raccordement au réfrigérateur.

### Style 1 – Raccordement à la canalisation d'eau :

**Autres pièces nécessaires :** Raccord, bague et écrou.

Enfiler l'écrou acheté, puis la bague achetée, sur le tube. Pousser le tube dans le raccord acheté aussi loin que possible. Glisser l'écrou et la bague vers l'avant. Serrer l'écrou manuellement. Puis le serrer avec une clé deux tours de plus. Ne pas serrer excessivement.

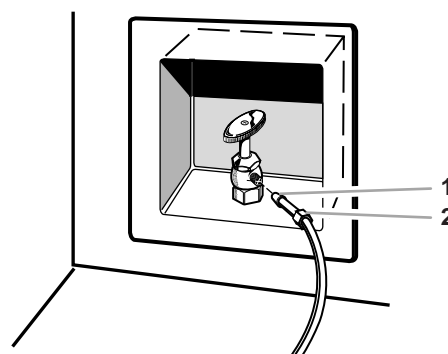


1. Canalisation au réfrigérateur
2. Écrou (fourni)
3. Ampoule
4. Raccord (acheté)
5. Bague (achetée)
6. Écrou (acheté)

### Style 2 – Raccordement au robinet d'eau :

**REMARQUE :** Le robinet d'arrêt devrait se trouver dans le placard inférieur, d'un côté ou l'autre du réfrigérateur. Le côté droit est recommandé. Le trou d'accès à travers le placard de droite doit se trouver en deçà de  $\frac{1}{2}$  po (12,7 mm) du mur arrière.

Pousser l'extrémité à ampoule du tube dans le robinet de débit d'eau aussi loin que possible. Glisser l'écrou vers l'avant et le serrer avec les doigts. Serrer l'écrou manuellement. Puis le serrer avec une clé deux tours de plus. Ne pas serrer excessivement.



1. Ampoule
2. Écrou (fourni)

5. OUVRIR le robinet d'arrêt.
6. Inspecter pour les fuites. Serrer tous les écrous ou raccords (y compris les raccords de la valve d'entrée d'eau) qui coulent.

## Brancher le réfrigérateur

### **⚠ AVERTISSEMENT**



#### Risque de choc électrique

Brancher sur une prise à 3 alvéoles reliée à la terre.

Ne pas enlever la broche de liaison à la terre.

Ne pas utiliser un adaptateur.

Ne pas utiliser un câble de rallonge.

Le non-respect de ces instructions peut causer un décès, un incendie ou un choc électrique.

1. Régler la commande à la partie supérieure de la caisse à la position OFF (Arrêt).
2. Brancher sur une prise à 3 alvéoles reliée à la terre.

## Déplacement du réfrigérateur à l'emplacement final

**IMPORTANT :** Pour éviter d'endommager le plancher, avant de déplacer le réfrigérateur, vérifier que les pieds sont soulevés (aucun contact avec le plancher) et que le réfrigérateur repose sur des roulettes.

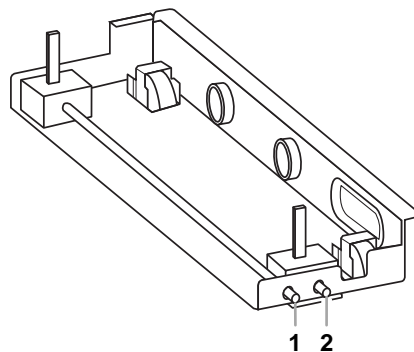
1. Placer une feuille de carton ou de contreplaqué sous le réfrigérateur. Enlever le chariot.
2. Ne pas ôter le film de protection.
3. Pousser le réfrigérateur dans la cavité d'encastrement. Vérifier que la canalisation d'arrivée d'eau n'est pas déformée et que le cordon d'alimentation électrique est sur le dessus du réfrigérateur, près du couvercle.

## Déploiement des pieds de nivellement

**REMARQUE :** Les quatre roulettes doivent toucher le plancher pour supporter et stabiliser le poids total du réfrigérateur. Les roulettes ne sont utilisées que pour le déplacement du réfrigérateur, et pas pour un soutien permanent.

Utiliser une clé à douille pour faire tourner vers la droite les pieds de nivellement sur chaque côté du réfrigérateur jusqu'à ce que le poids du réfrigérateur soit en appui sur les pieds de nivellement. Les roulettes ne devraient pas être en contact avec le plancher.

Pour éviter d'endommager la caisse, ne pas exercer un couple de plus de 50 lb/po (58 cm/kg) sur les pieds de nivellement.

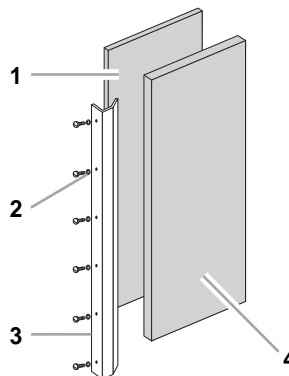


1. Pieds de nivellement arrière
2. Pieds de nivellement avant

## Installation des panneaux de porte

### Modèles à panneaux

1. Enlever tous les rubans adhésifs et articles d'arrimage des portes du réfrigérateur et du congélateur. Enlever les vis fixant les poignées sur le cadre de la porte.
2. Enfiler les panneaux décoratifs dans les cadres de porte.
3. Si nécessaire, usiner les panneaux de porte ou installer un panneau de remplissage entre les portes et les panneaux décoratifs. Voir la section "Panneaux personnalisés de la grille supérieure et de porte".



1. Panneau de remplissage
2. Rondelle de nylon
3. Poignée de porte
4. Panneau de porte

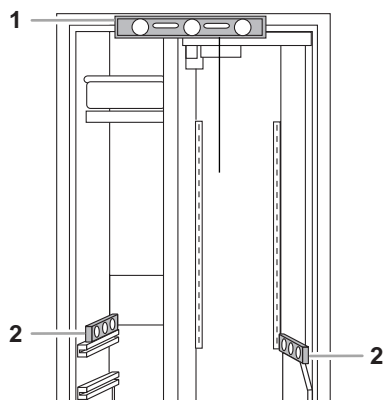
4. Réinstaller les poignées de porte. Vérifier que le sommet des deux poignées de porte est aligné.
5. Si les poignées de porte ne sont pas alignées, desserrer toutes les vis des poignées et ajuster la position verticale de chaque poignée. Resserrer les vis. Si certaines vis de porte sont endommagées, utiliser les vis additionnelles fournies dans le sachet de pièces.

## Nivellement du réfrigérateur

**REMARQUE :** Les panneaux de porte doivent être installés avant le nivellement.

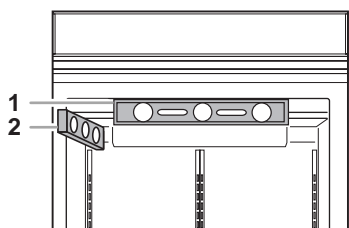
1. Ouvrir les portes et placer un niveau sur le dessus du réfrigérateur tel qu'illustré. Vérifier si le réfrigérateur est d'aplomb de gauche à droite.

### Réfrigérateurs côte à côte



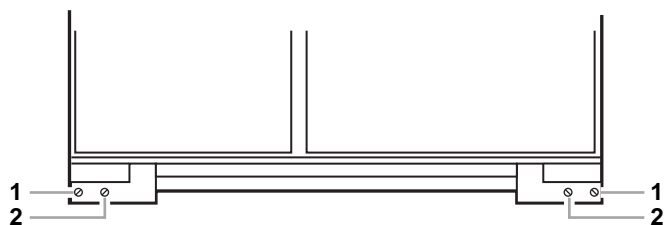
1. Niveau pour vérifier l'aplomb de gauche à droite
2. Niveau pour vérifier l'aplomb d'avant en arrière

### Superposés



1. Niveau pour vérifier l'aplomb de gauche à droite
2. Niveau pour vérifier l'aplomb d'avant en arrière

2. Utiliser les écrous de nivellement pour ajuster les pieds de nivellement jusqu'à ce que le réfrigérateur soit d'aplomb de gauche à droite.



1. Écrou de nivellement arrière
2. Écrou de nivellement avant

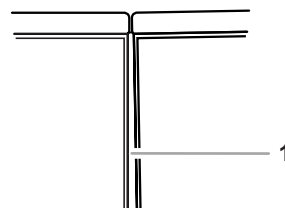
3. Placer le(s) niveau(x) sur la ou les tablettes tel qu'illustré. Vérifier si le réfrigérateur est d'aplomb d'avant en arrière.
4. Utiliser les écrous de nivellement pour ajuster les pieds de nivellement jusqu'à ce que le réfrigérateur soit d'aplomb de l'avant à l'arrière.
5. Vérifier que les quatre pieds de nivellement sont au contact du plancher et supportent le poids total du réfrigérateur.
6. Procéder à une vérification finale pour s'assurer que le réfrigérateur est d'aplomb.

## Ajustement des portes

### Alignement des portes

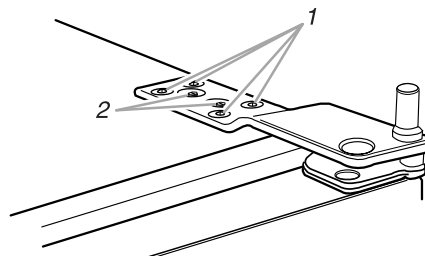
Suivre les étapes suivantes pour ajuster l'alignement si les portes ont besoin d'être ajustées à gauche, à droite, vers l'intérieur ou l'extérieur.

1. Inspecter l'espace de l'écart entre la porte du congélateur et celle du réfrigérateur. S'assurer que la distance d'espace entre les portes est la même en haut et en bas.



1. Espace inégal entre les portes

2. Si l'espace entre les portes est inégal, la garniture latérale doit être enlevée pour révéler la doublure complète du joint d'étanchéité de la porte. Enlever les six vis Phillips qui retiennent la garniture.
3. Dévisser partiellement les quatre vis de montage T27 à tête plate sur le haut des deux charnières. Dévisser partiellement les deux vis de montage de 1/4 po à tête hexagonale. Desserrer les vis au point où la charnière peut être déplacée, mais où l'on sent une friction quand on essaie de déplacer la charnière.



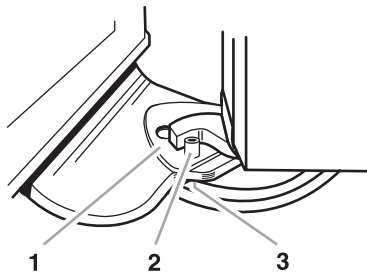
1. Vis de montage T27 à tête plate
2. Vis de montage de 1/4 po à tête hexagonale

4. Ajuster les charnières de telle sorte que la distance d'espace des portes est la même en haut et en bas. La distance en bas devrait servir de repère pour celle d'en haut.
5. Vérifier l'espace latéral du joint d'étanchéité de la porte. S'assurer que la distance est la même en haut et en bas. Ajuster les charnières, si nécessaire.
6. Vérifier de nouveau l'espace de l'écart avant de la porte pour s'assurer qu'il est encore aligné et égal.
7. Serrer les vis de montage sur les deux charnières.
8. Réinstaller les garnitures latérales des portes.

## Ajustement de la hauteur des portes

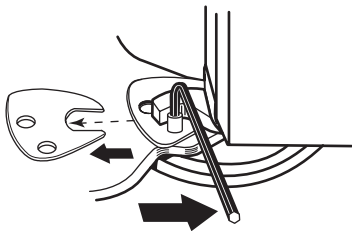
Suivre les étapes suivantes pour ajuster la hauteur des portes vers le haut ou vers le bas, après que les portes ont été mises d'aplomb.

1. Ouvrir la porte du congélateur ou du réfrigérateur et repérer la charnière inférieure de la porte à ajuster.

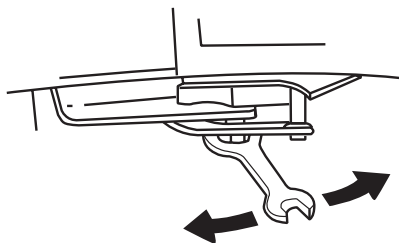


1. Plaque de verrouillage
2. Vis de la butée de la porte
3. Bague

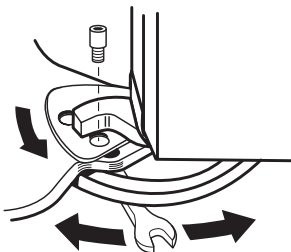
2. Avec une clé Allen, enlever la vis de butée de porte de la charnière inférieure de la porte. Enlever la plaque de verrouillage tel qu'illustré.



3. Tourner la bague située sous la charnière inférieure en utilisant la clé plate. Tourner la bague vers la gauche (sens antihoraire) soulève la porte. Tourner la bague vers la droite (sens horaire) fait descendre la porte.



4. Après l'ajustement, vérifier les portes pour s'assurer qu'elles sont égales en haut et en bas. Si les portes ne sont pas égales, continuer de tourner la bague pour ajuster la hauteur de la porte.
5. Réinstaller la plaque de verrouillage.
6. Tourner légèrement la bague pour aligner les trous de vis de la charnière et de la plaque de verrouillage.
7. Réinstaller la vis de butée de porte et la serrer.



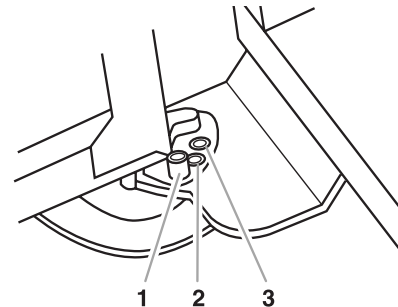
8. Procéder à une vérification finale pour s'assurer que les portes sont alignées et égales.

## Ajustement de l'ouverture des portes

1. S'assurer que la porte du réfrigérateur s'ouvre librement. Si la porte s'ouvre trop grande, enlever la vis de butée de porte de la charnière inférieure. Tenir la porte ouverte à une position de moins de 90°.
2. Réinstaller la vis de butée de porte dans la charnière inférieure et serrer la vis.

### Réfrigérateurs côte à côte :

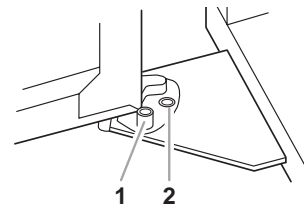
Réinstaller la vis de butée de porte à la position de butée de porte de 110° ou 90°.



1. Position à 130°
2. Position à 110°
3. Position à 90°

### Réfrigérateurs superposés :

Réinstaller la vis de butée de porte à la position de butée de porte à 90°.



1. Position à 130°
2. Position à 90°

Si la porte ne passe pas sous le comptoir après l'ajustement de la porte, il faudra peut-être usiner les comptoirs.

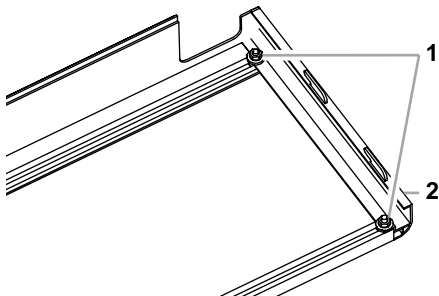
## Installation du panneau décoratif supérieur

### Addition d'un panneau décoratif à la grille supérieure

1. Saisir les deux extrémités de la grille supérieure.
2. Pousser l'ensemble cadre/grille supérieure tout droit vers le haut, puis tout droit vers l'extérieur. Poser l'ensemble sur une surface de travail molle.

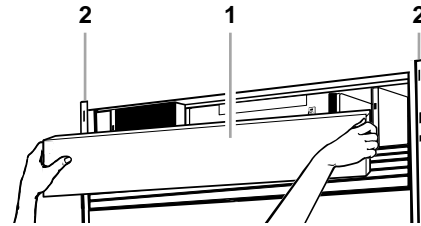


3. Enlever les écrous et la garniture latérale du côté droit de l'ensemble cadre/grille supérieure. Insérer le panneau décoratif dans le cadre. Réinstaller la garniture latérale et les écrous.



1. Écrous
2. Garniture latérale de la grille supérieure

4. Réinstaller l'ensemble de la grille supérieure en insérant les crochets (situés à l'arrière de la grille supérieure) dans les fentes de la garniture latérale. Tirer légèrement vers le bas sur le panneau pour le bloquer en place.



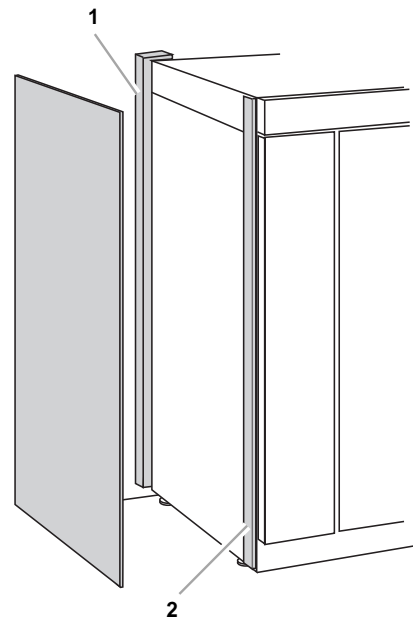
1. Grille supérieure
2. Garniture latérale de la caisse

**IMPORTANT :** KitchenAid n'est pas responsable des opérations d'enlèvement et d'installation des moulures ou panneaux décoratifs qui entraveraient l'accès au réfrigérateur lors d'une intervention de réparation.

## Installation du panneau latéral

Si la profondeur de la cavité d'encastrement est de 25 po (63,5 cm) ou plus, on peut insérer chaque panneau latéral dans le profilé de garniture latérale ou le fixer à l'extérieur du profilé de garniture latérale.

1. Pour la pièce de garniture latérale, insérer la rive avant du panneau latéral usiné dans le profilé de garniture.
2. Clouer la rive arrière du panneau sur la planche d'appui.

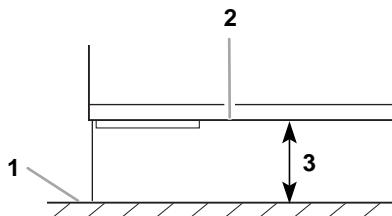


1. Planche d'appui
2. Garniture latérale

**IMPORTANT :** KitchenAid n'est pas responsable des opérations d'enlèvement et de réinstallation des moulures ou panneaux décoratifs qui entraveraient l'accès au réfrigérateur lors d'une intervention de réparation.

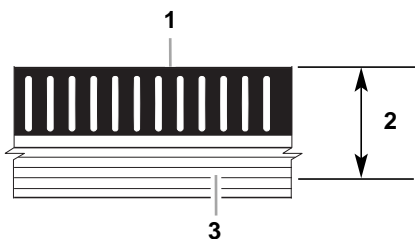
## Installation de la grille de la base

1. Enlever la grille de la base, la plinthe et deux vis du paquet fixé sur l'avant du réfrigérateur avec du ruban adhésif.
2. Ouvrir la porte du réfrigérateur et mesurer la distance entre le fond de la caisse et le plancher.



1. Plancher
2. Fond de la caisse du réfrigérateur
3. Distance à mesurer

3. Mesurer cette même distance depuis le sommet de la grille inférieure jusqu'à la plus proche rainure en "V" sur la plinthe. Entailler la plinthe dans la rainure en "V" avec un couteau, et briser la plinthe sur la ligne d'entaille.



1. Ensemble grille/plinthe
2. Distance mesurée à l'étape 2 ci-dessus
3. Entailler dans la rainure en "V"

4. Glisser la plinthe sur la grille inférieure.
5. Fixer l'ensemble grille/plinthe sur la caisse avec les deux vis.

## Achever l'installation

1. Tourner le robinet de la canalisation d'eau à la position "Open" (ouvert).
2. Tourner le commutateur du réfrigérateur à la position ON (marche). Attendre quelques minutes. Vérifier les raccords de la canalisation d'eau pour des fuites.
3. Ouvrir les portes de l'appareil ménager et retirer toutes les boîtes, tous les paquets de pièces et tous les matériaux d'emballage. Voir la section "Nettoyage" dans le Guide d'utilisation et d'entretien pour les instructions. Ôter la pellicule protectrice du châssis de la porte.
4. Installer les clayettes/tablettes et bacs dans les compartiments de réfrigération et de congélation.
5. Régler les commandes des compartiments de réfrigération et de congélation au réglage moyen. S'assurer que le compresseur fonctionne bien et que toutes les lumières s'allument.
6. Purger le système d'eau avant l'utilisation. Voir la section "Préparation du système d'eau" dans le Guide d'utilisation et d'entretien.

**REMARQUE :** Si la construction continue après l'installation du réfrigérateur, régler les commandes à OFF (Arrêt).

Pour l'utilisation la plus efficace de votre nouveau réfrigérateur encastré, lire le Guide d'utilisation et d'entretien. Conserver le Guide d'utilisation et d'entretien près du réfrigérateur encastré pour s'y référer facilement.

**2266877**

© 2003. All rights reserved.  
Todos los derechos reservados.  
Tous droits réservés.

® Registered Trademark/TM Trademark of KitchenAid, U.S.A., KitchenAid Canada licensee in Canada  
® Marca Registrada/TM Marca de comercio de KitchenAid, U.S.A., Uso en Canadá bajo licencia de KitchenAid Canada  
® Marque déposée/TM Marque de commerce de KitchenAid, U.S.A., Emploi licencié par KitchenAid Canada au Canada

3/03  
Printed in U.S.A.  
Impreso en EE. UU.  
Imprimé aux É.-U.



## Free Manuals Download Website

<http://myh66.com>

<http://usermanuals.us>

<http://www.somanuals.com>

<http://www.4manuals.cc>

<http://www.manual-lib.com>

<http://www.404manual.com>

<http://www.luxmanual.com>

<http://aubethermostatmanual.com>

Golf course search by state

<http://golfingnear.com>

Email search by domain

<http://emailbydomain.com>

Auto manuals search

<http://auto.somanuals.com>

TV manuals search

<http://tv.somanuals.com>