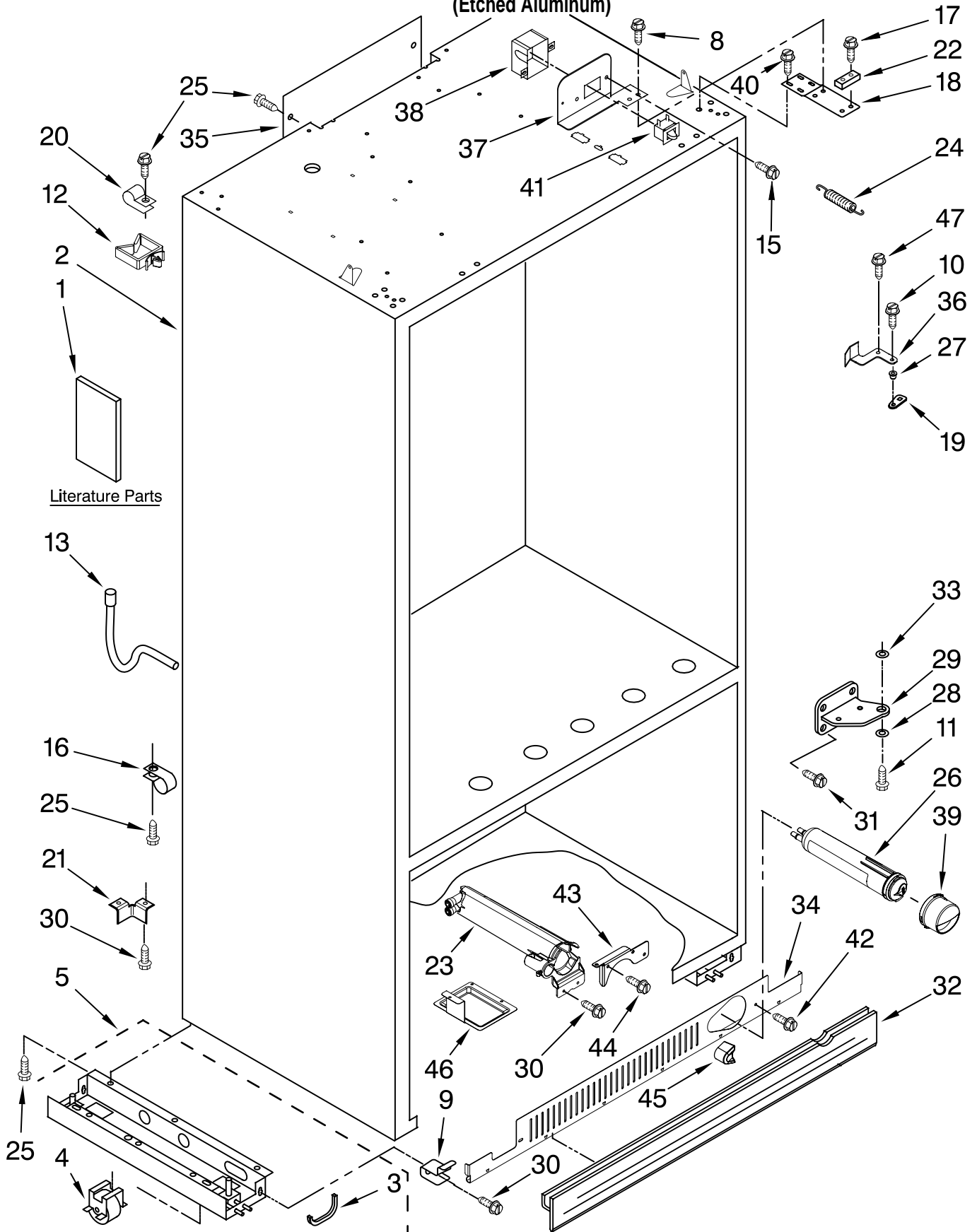


CABINET PARTS

For Model: KBF042FTX02

(Etched Aluminum)

42" BOTTOM MOUNT
BUILT IN REFRIGERATOR



Literature Parts

FOR ORDERING INFORMATION REFER TO PARTS PRICE LIST

CABINET PARTS

For Model: KBFO42FTX02

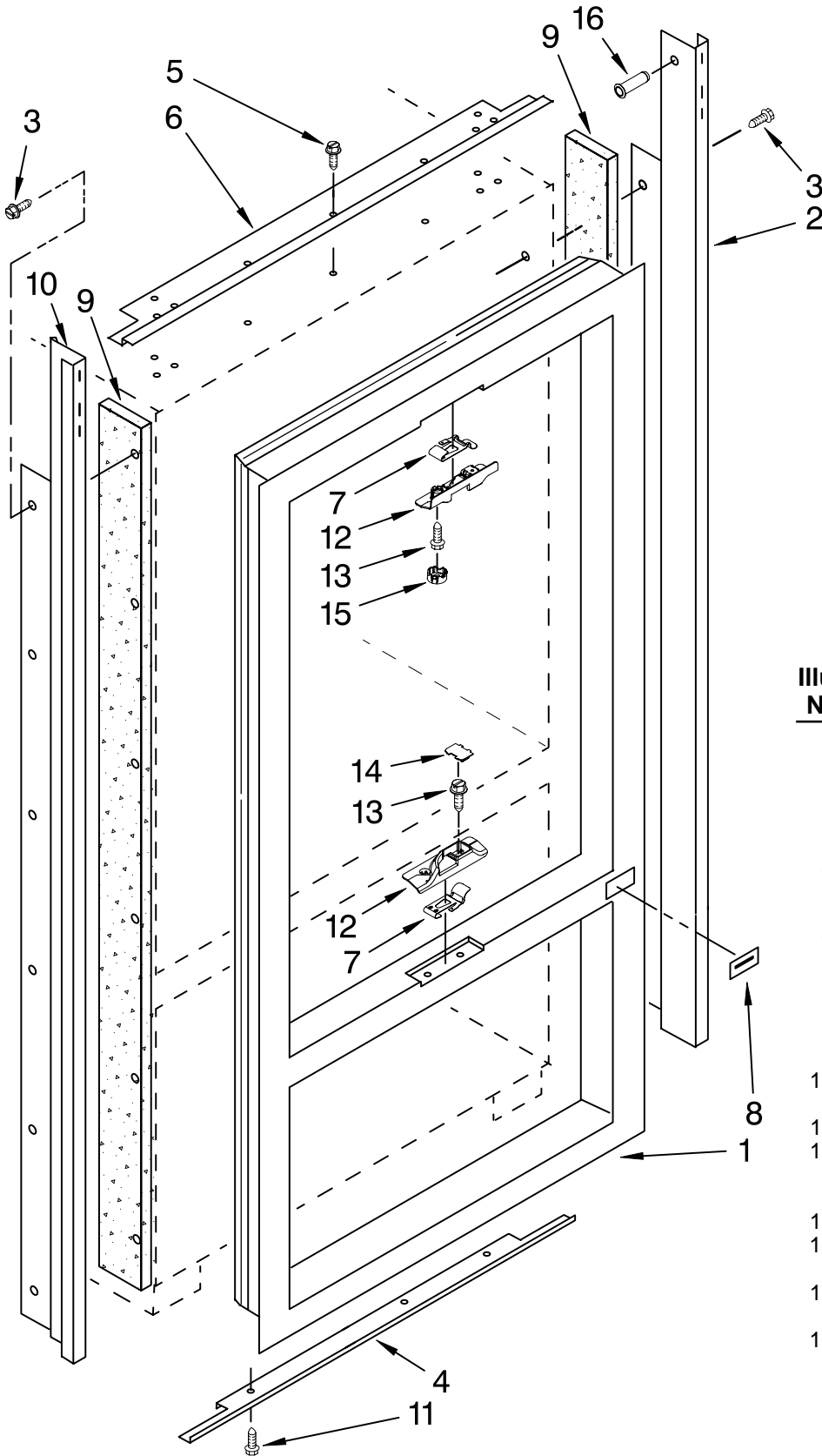
(Etched Aluminum)

| Illus. No. | Part No. | DESCRIPTION | Illus. No. | Part No. | DESCRIPTION | Illus. No. | Part No. | DESCRIPTION |
|------------|-----------|----------------------------------|------------|-----------|--------------------------------------|------------|-----------|--------------------------------|
| 1 | | Literature Parts | 10 | W10004850 | Screw | 30 | 489464 | Screw, 8-18 x 1/2 |
| | 2320682 | Use & Care Guide | 11 | 488234 | Screw 8-32 x 1/4 | 31 | 489282 | Screw |
| | 2320685 | Energy Guide | 12 | W10129069 | Clip (6) | 32 | 2209025B | Skirt, Grille (Bottom) |
| | W10159834 | Service & Wiring Sheet | 13 | 2314064 | Tube, Drain | 33 | 2314023 | Bushing, Hinge (2) |
| | 2317849 | Main Control Service Sheet | 15 | 487415 | Screw, 8-18 x 3/8 | 34 | 2325188B | Grille Base, Front |
| | 2317840 | Modular Ice maker Service Sheet | 16 | 2305274 | Clamp, Tube | 35 | 2215612 | Cover, Air Duct Arm, Extension |
| | 2320680 | Installation Instructions | 17 | W10005070 | Screw, Door Stop | 36 | 2266882 | Right |
| | | | 18 | 2316759 | Hinge, Door Refrigerator Top | | 2266881 | Left |
| 2 | | Cabinet (Not A Serviceable Part) | 19 | 2320509 | Cam-Closer, Door | 37 | 2221097 | Bracket, Switch Right |
| 3 | 2307584 | Grommet, Crossover Tube | 20 | 2221070 | Clamp, Tube | | 2221096 | Left |
| 4 | W10138054 | Roller, Front & Rear (4) | 21 | 2006617 | Bracket, Support Door | 38 | 2215938 | Cover, Switch |
| 5 | | Support, Leveler Assembly | 22 | 2316758 | Stop, Door | 39 | 2260518B | Cap, Water Filter |
| | 2318194 | Refrigerator Side | 23 | 2260526 | Housing, Water Filter | 40 | 8533913 | Screw |
| | 2318193 | Freezer Side | 24 | 2004517 | Spring, Door Closure | 41 | 1118894 | Switch, Rocker Arm (2) |
| 8 | 8281164 | Screw | 25 | 486194 | Screw | 42 | W10005050 | Screw, 8-18 x 1/2 |
| 9 | 2307640 | Mounting Bracket, Grille | 26 | 4396841 | Filter, Water | 43 | 2318190 | Bracket, Mounting (Filter) |
| | | | 27 | 2316859 | Bushing-Arm, Extension | 44 | 8281163 | Screw 8-16 x 1/2 |
| | | | 28 | 2004994 | Bushing, Hinge (2) (Lock-Adjustable) | 45 | 2260503B | Button, Filter |
| | | | 29 | 2302889 | Hinge, Bottom Refrigerator Door | 46 | 2318189 | Tray, Drip Filter |
| | | | | | | 47 | 8533980 | Screw |

FOR ORDERING INFORMATION REFER TO PARTS PRICE LIST

CABINET AND BREAKER TRIM PARTS

For Model: KBF042FTX02
(Etched Aluminum)

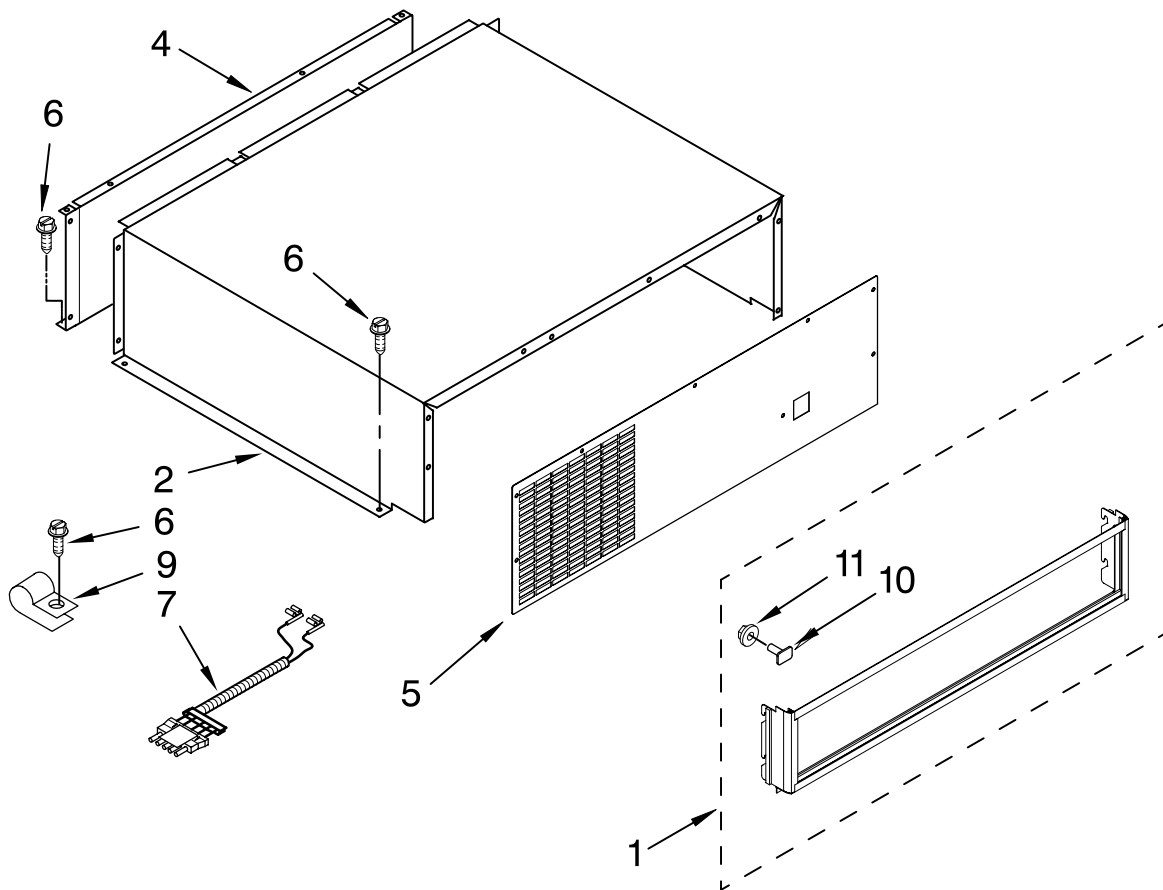


| Illus. No. | Part No. | DESCRIPTION |
|------------|-----------|------------------------------|
| 1 | | Breaker, Trim (Not Serviced) |
| 2 | W10133679 | Cabinet Trim, Right Side |
| 3 | 1163283 | Screw |
| 4 | 2316687 | Cabinet Trim, Bottom |
| 5 | 486194 | Screw |
| 6 | 2313961S | Cabinet Trim, Top |
| 7 | | Cam, Mullion |
| | 2316857 | Top |
| | 2316858 | Bottom |
| 8 | 2005782 | Cover, Hinge |
| 9 | 2005925 | Seal-Trim, Side |
| 10 | W10133683 | Cabinet Trim, Left Side |
| 11 | 489464 | Screw, 8-18 x 1/2 |
| 12 | | Contact, Mullion |
| | 2309230 | Top |
| | 2309231 | Bottom |
| 13 | 486194 | Screw |
| 14 | 2316899 | Cover, Screw (2) (Square) |
| 15 | 2317078 | Cover, Screw (2) (Round) |
| 16 | W10121451 | Nutsert (4) |

FOR ORDERING INFORMATION REFER TO PARTS PRICE LIST

TOP GRILLE AND UNIT COVER PARTS

For Model: KBFO42FTX02
(Etched Aluminum)



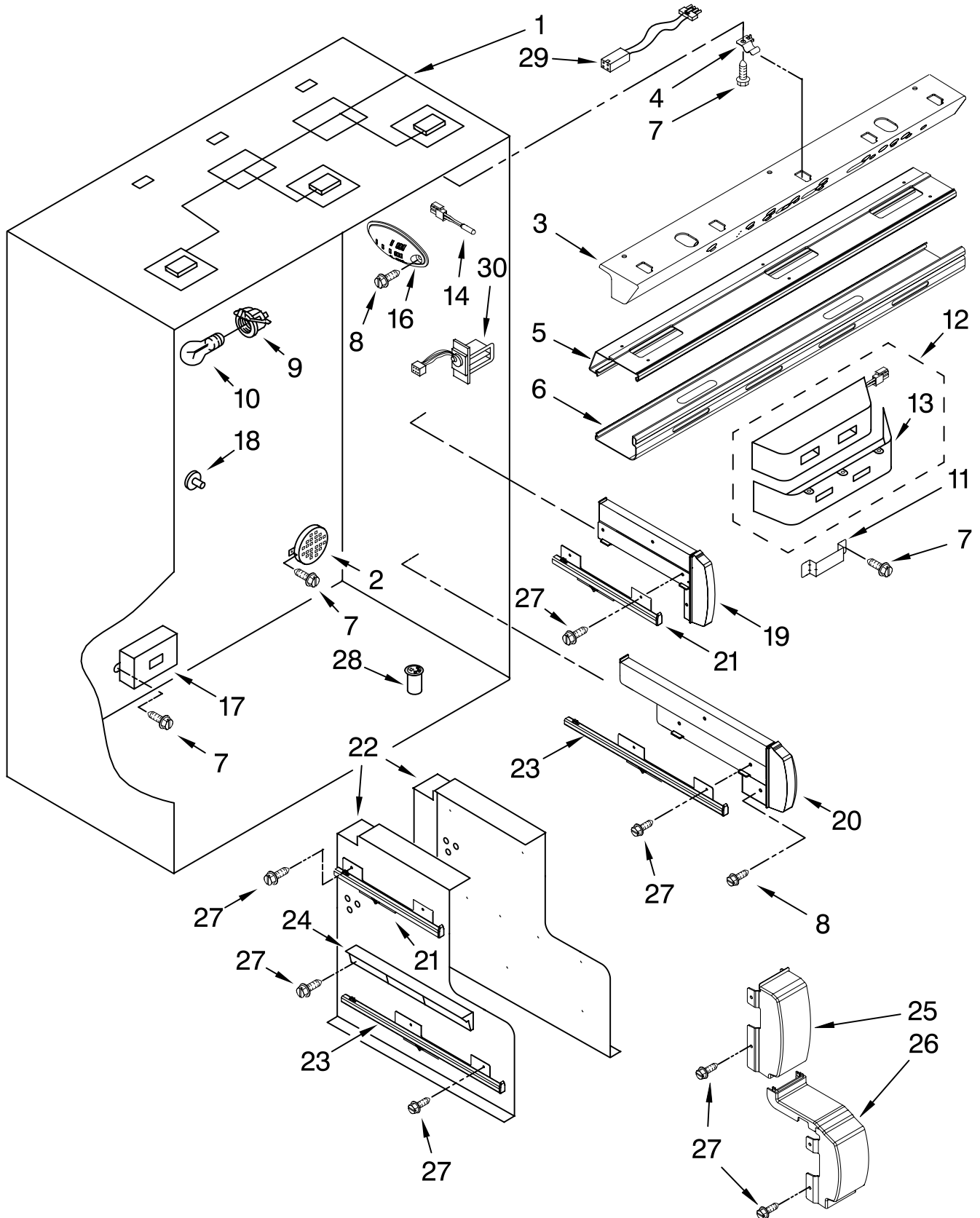
| Illus. No. | Part No. | DESCRIPTION |
|------------|-----------|-----------------------------|
| 1 | 2317080S | Top Grille Assembly |
| 2 | W10159171 | Cover, Unit |
| 4 | 2256466 | Back Panel |
| 5 | 2307682 | Front, Unit Cover |
| 6 | 487415 | Screw |
| 7 | 2187946 | Wire Assembly, Light Switch |
| 9 | 489348 | Clamp |
| 10 | 2003347 | Tee Bolt (4) |
| 11 | 1161548 | Nut (4) |

FOR ORDERING INFORMATION REFER TO PARTS PRICE LIST

REFRIGERATOR LINER PARTS

For Model: KBFO42FTX02

(Etched Aluminum)



FOR ORDERING INFORMATION REFER TO PARTS PRICE LIST

REFRIGERATOR LINER PARTS

For Model: KBF042FTX02
(Etched Aluminum)

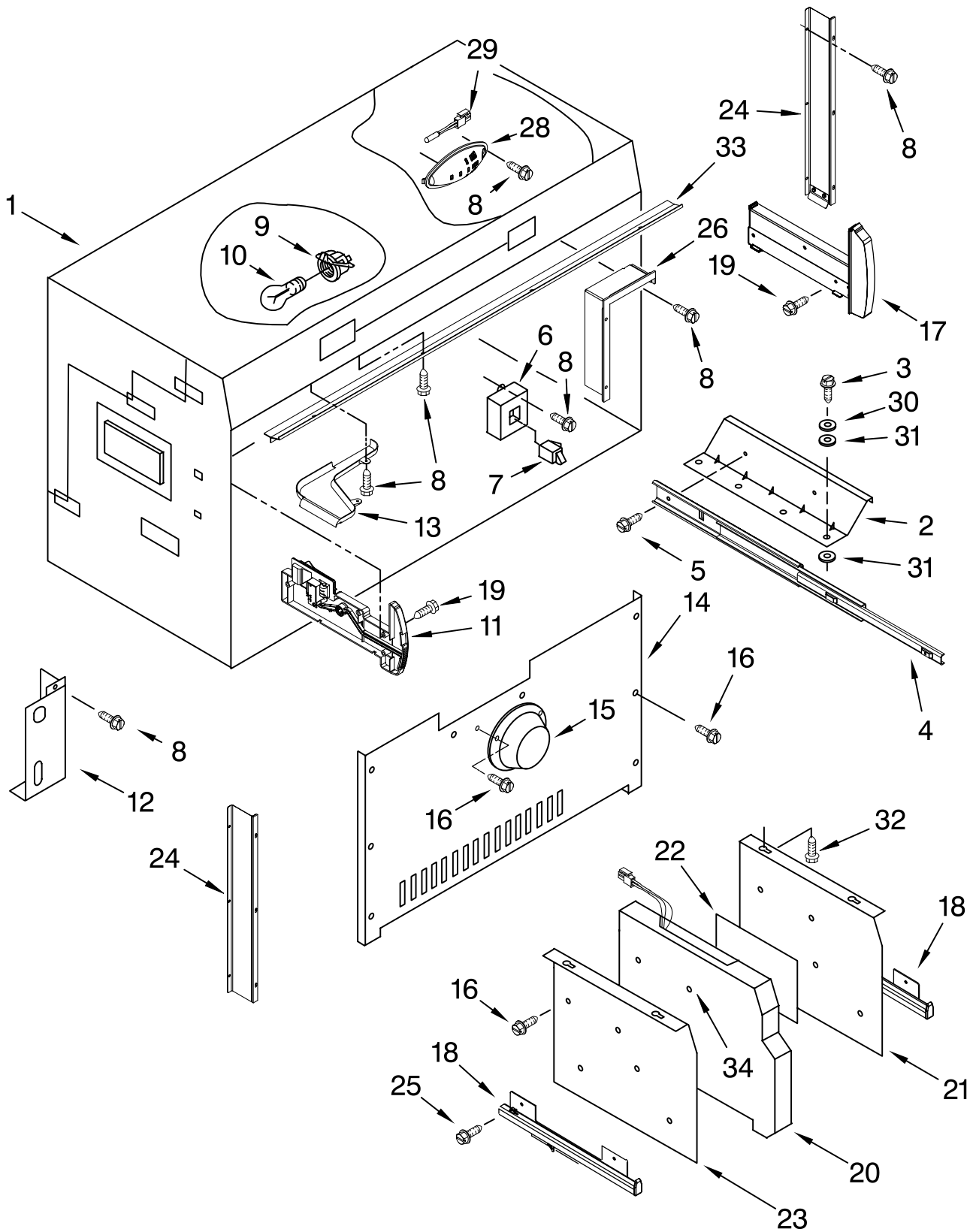
| Illus. No. | Part No. | DESCRIPTION |
|-------------------|-----------------|--|
| 1 | | Liner, Refrigerator (Not Servicable) |
| 2 | 2317004 | Cover, Air Return (2) |
| 3 | 2320663 | Control Box, Complete |
| 4 | 2317000 | Clip, Control Box |
| 5 | 2324969 | Bracket, Control Box |
| 6 | 2309248 | Shield, Light |
| 7 | 487539 | Screw, 8-15 x 1/2 |
| 8 | 488163 | Screw |
| 9 | 2223857 | Socket, Light (3) |
| 10 | 2326255 | Bulb, Light (3) |
| 11 | 2317917 | Clip, Diffuser Cover |
| 12 | 2320523 | Diffuser Assembly |
| 13 | 2320519 | Cover, Diffuser |
| 14 | 2320519 | Thermistor |
| 16 | 2317105 | Cover, Thermistor |
| 17 | 2268249 | Diffuser, Crisper (Complete)(2) |
| 18 | 2196483 | Stud, Shelf |
| 19 | | Spacer, Crisper |
| | 2268331 | Left |
| | 2268332 | Right |
| 20 | | Spacer, Deli |
| | 2306475 | Left |
| | 2306474 | Right |
| 21 | | Slide, Crisper Pan |
| | 2302952 | Left (2) |
| | 2302953 | Right (2) |
| 22 | | Center Support |
| | 2320551 | Left Half |
| | 2320550 | Right Half |
| 23 | | Slide, Deli Pan |
| | 2302956 | Left (2) |
| | 2302957 | Right (2) |
| 24 | 2314054 | Support, Deli Cover (2) |
| 25 | 2309083 | Cover, Center (Crisper Pans) |
| 26 | 2318008 | Cover, Center (Deli Pans) |
| 27 | W10001160 | Screw, 8-32 x 1/2 |
| 28 | 2171931 | Valve, Tube-Body |
| 29 | 2310164 | Wire, Jumper |
| 30 | 2221296 | Air Baffle Assy |

FOR ORDERING INFORMATION REFER TO PARTS PRICE LIST

FREEZER LINER PARTS

For Model: KBFO42FTX02

(Etched Aluminum)



FOR ORDERING INFORMATION REFER TO PARTS PRICE LIST

FREEZER LINER PARTS

For Model: KBFO42FTX02
(Etched Aluminum)

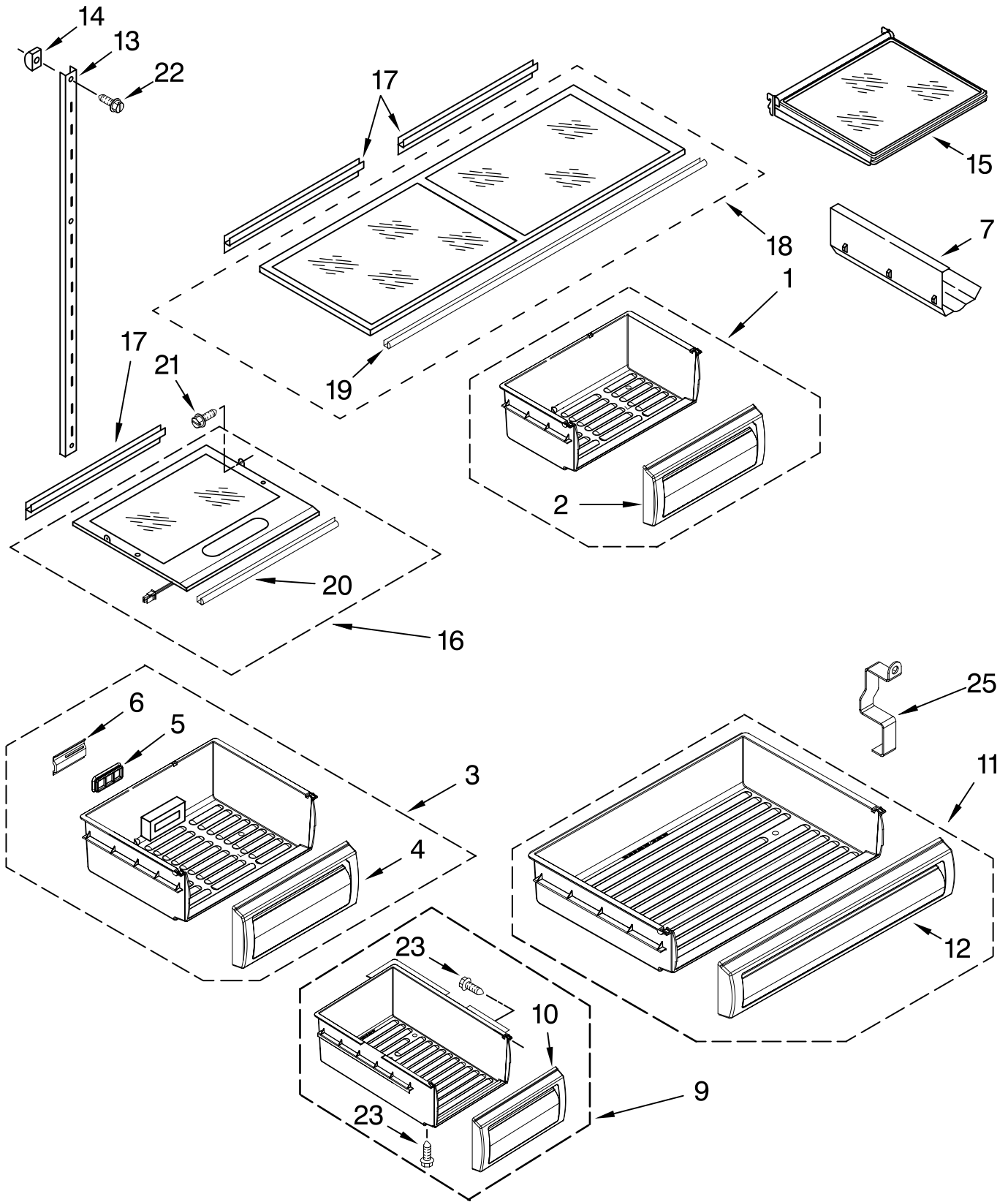
| Illus. No. | Part No. | DESCRIPTION |
|---------------|-------------|--|
| 1 | | Liner, Freezer (Not Servicable) |
| 2 | 2306425 | Mounting Bracket, Drawer Slide (2) |
| 3 | W10071460 | Screw |
| 4 | 2320616 | Drawer Slide, Freezer Basket (2) |
| 5 | W10061370 | Screw |
| 6 | 2314022 | Cover, Light Switch |
| 7 | 1118894 | Switch, Rocker |
| 8 | 486194 | Screw |
| 9 | 2223857 | Socket, Light |
| 10 | 2309101 | Bulb, Light |
| 11 | 2268299 | Switch Assembly, Icemaker (Includes Emitter) |
| 12 | 2306187 | Cover, Wiring (Icemaker) |
| 13 | 2317005 | Duct, Air Flow (Icemaker) |
| 14 | 2306100 | Cover, Evaporator |
| 15 | 2317829 | Cover, Evaporator Fan |
| 16 | 487539 | Screw |
| 17 | 2306106 | Spacer, Drawer (Right Side) |
| 18 | | Slide, Freezer Bin |
| | 2306117 | Left (2) |
| | 2306116 | Right (2) |
| 19 | 488163 | Screw |
| 20 | 2317925 | Divider, Freezer Bins (Includes Receiver) |
| 21 | 2306104 | Support, Slide (Right) |
| 22 | 2317927 | Shield |
| 23 | 2306105 | Support, Slide (Left) |
| 24 | | Bracket, Evaporator Cover |
| | 2320512 | Left Side |
| | 2317893 | Right Side |
| 25 | 488163 | Screw |
| 26 | W10121940 | Bracket, Air Return |
| 28 | 2317105 | Cover, Thermistor |
| 29 | 2188820 | Thermistor |
| 30 | W10075920 | Washer |
| 31 | 2320526 | Washer (EPDM) |
| 32 | 8533928 | Screw |
| 33 | W10135430 | Air Deflector Asy |
| 34 | 2198643 | Lens, Receiver |

FOR ORDERING INFORMATION REFER TO PARTS PRICE LIST

SHELF PARTS

For Model: KBFO42FTX02

(Etched Aluminum)



FOR ORDERING INFORMATION REFER TO PARTS PRICE LIST

SHELF PARTS

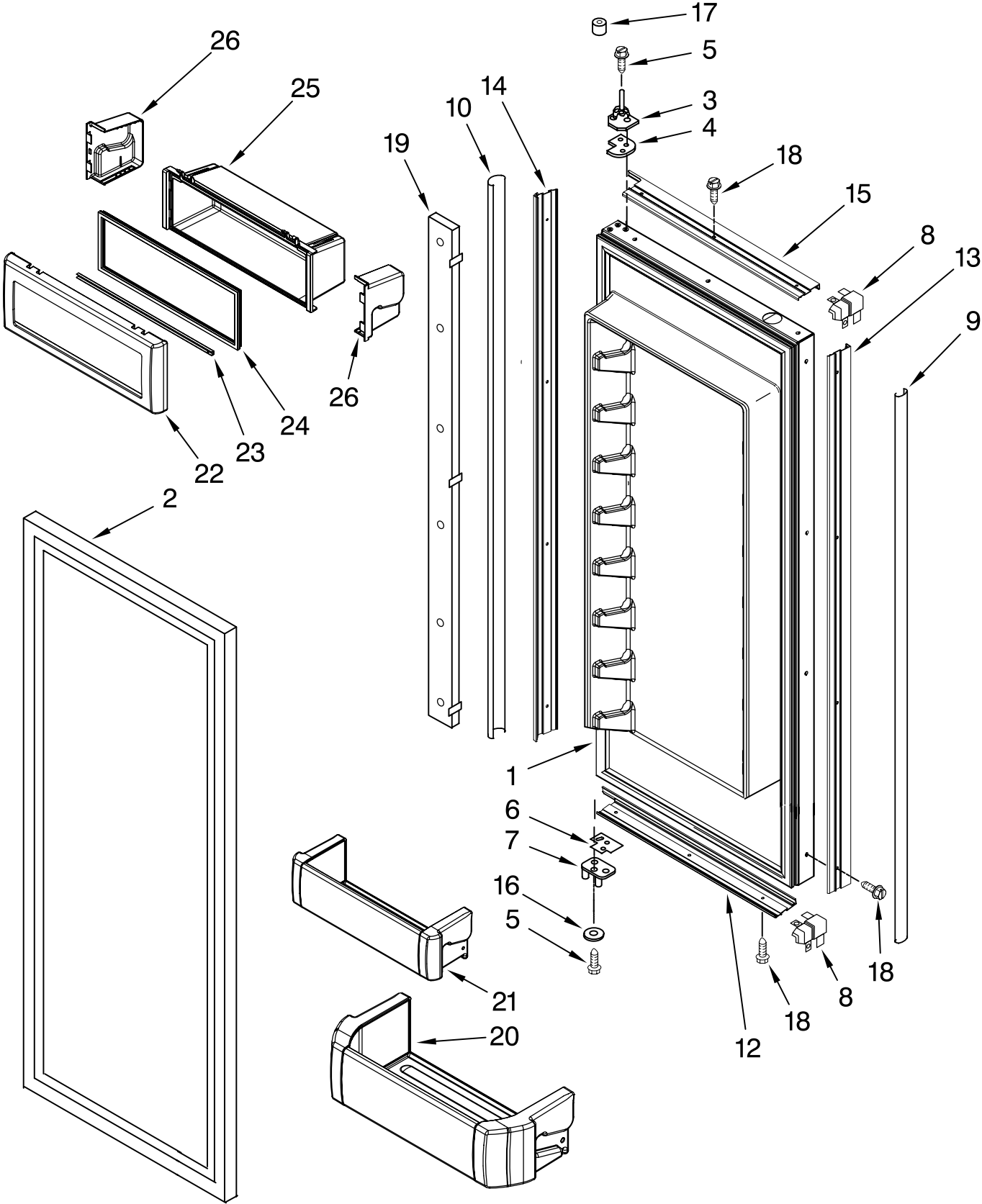
For Model: KBFO42FTX02
(Etched Aluminum)

| Illus. No. | Part No. | DESCRIPTION |
|-------------------|-----------------|---|
| 1 | | Crisper Pan Assembly (Includes # 2) |
| | 2268173 | Left |
| | 2268171 | Right |
| 2 | 2256247 | Front, Crisper Pan |
| 3 | | Deli Pan Assembly (Incl. #4, 5 & 6) |
| | 2317940 | Left |
| | 2317941 | Right |
| 4 | 2256365 | Front, Deli Pan |
| 5 | 2307810 | Duct, Deli Pan |
| 6 | 2317939 | Air Deflector |
| 7 | 2179404 | Rack, Wine |
| 9 | 2306174 | Ice Pan Assembly (Includes # 10) |
| 10 | 2306175 | Front, Ice Pan |
| 11 | 2327511 | Freezer Pan Assembly (Includes # 12) |
| 12 | 2256367 | Front, Freezer Pan |
| 13 | 2327314 | Ladder, Shelf (4) |
| 14 | 520965 | Support, Ladder |
| 15 | 2268246 | Shelf (4) |
| 16 | | Cover, Deli Bin |
| | 2320665 | Left |
| | 2320667 | Right |
| 17 | 2309400 | Gasket, Rear |
| 18 | 2309045 | Cover, Crisper |
| 19 | 2309396 | Gasket, Front (Crisper Cover) |
| 20 | 2309395 | Gasket, Front (2) (Deli Cover) |
| 21 | 8281251 | Screw |
| 22 | 2006475 | Screw |
| 23 | 488886 | Screw, 8-18 x 1/2 |
| 25 | | Locking Clip, Bin |
| | 2327393 | Right |
| | 2327394 | Left |

FOR ORDERING INFORMATION REFER TO PARTS PRICE LIST

REFRIGERATOR DOOR PARTS

For Model: KBF042FTX02
(Etched Aluminum)



FOR ORDERING INFORMATION REFER TO PARTS PRICE LIST

REFRIGERATOR DOOR PARTS

For Model: KBF042FTX02

(Etched Aluminum)

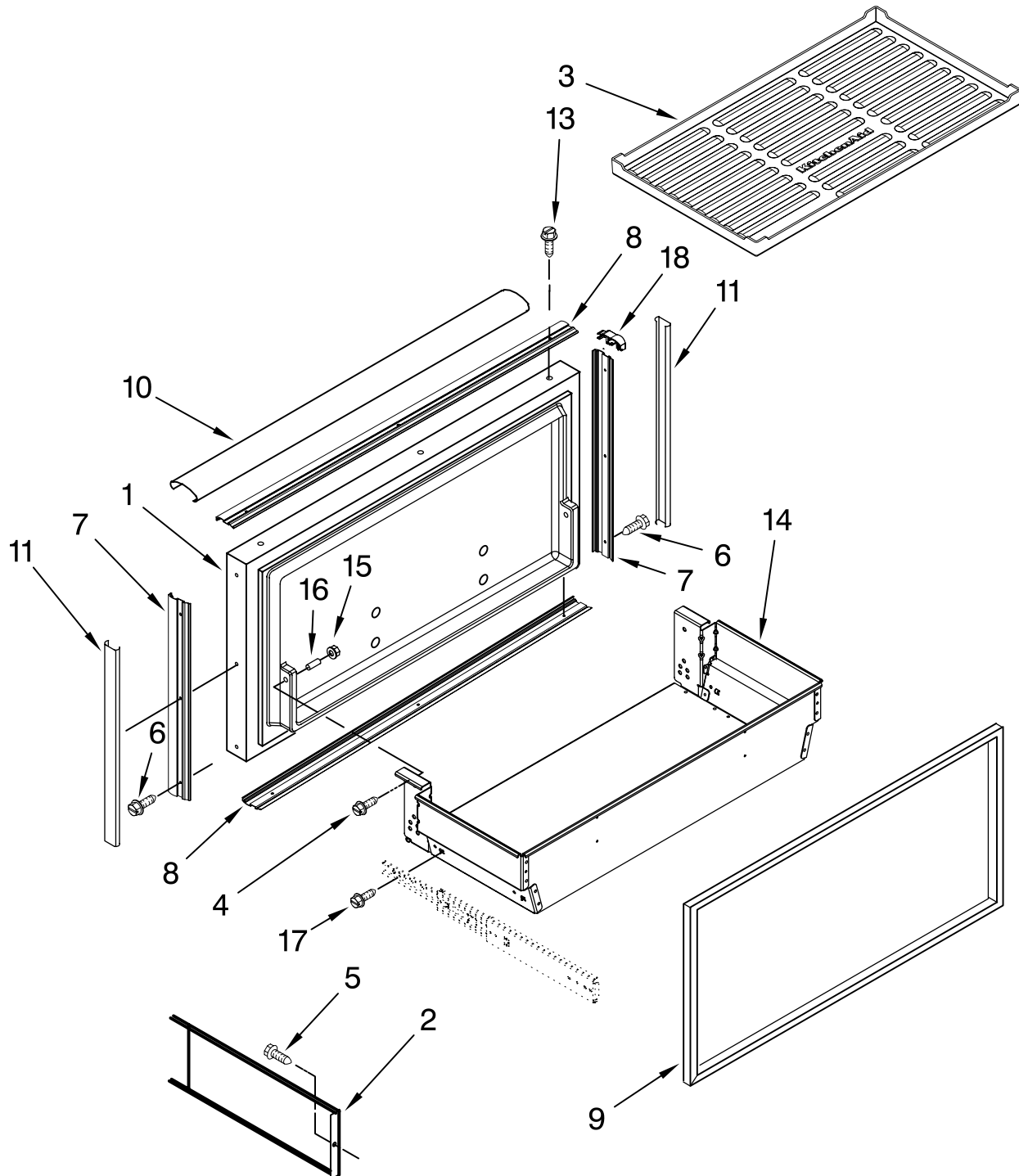
| Illus. No. | Part No. | DESCRIPTION |
|-------------------|-----------------|---|
| 1 | | Door, Refrigerator (Includes Item 2) |
| | 2307903 | Left |
| | 2307902 | Right |
| 2 | 2268265 | Gasket, Door |
| 3 | 2320642 | Hinge Assembly, Top |
| 4 | 2256381 | Spacer-Hinge, Top |
| 5 | 489282 | Screw, 10-32 x 3/4 |
| 6 | 2257647 | Spacer, Hinge (Bottom) |
| 7 | | Bottom Hinge Assembly |
| | 2316752 | Left |
| | 2316751 | Right |
| 8 | 2207457 | Trim, Corner |
| 9 | 2309021S | Cover-Trim, Side (Handle Side) |
| 10 | 2309022S | Cover-Trim, Side (Hinge Side) |
| 12 | 2314031S | Trim-Door, Bottom |
| 13 | 2314030S | Trim-Door, Side (Handle Side) |
| 14 | 2309031S | Trim-Door, Side (Hinge Side) |
| 15 | 2314028S | Trim-Door, Top |
| 16 | 2006346 | Washer |
| 17 | 2316760 | Bushing, Top Hinge |
| 18 | 8281250 | Screw, 8-15 x 1/2 |
| 19 | 2307938 | Mullion Assembly |
| 20 | 2222769 | Shelf, Door (2) (Gallon) |
| 21 | 2222772 | Shelf, Door (4) |
| 22 | W10131132 | Door, Utility Bin |
| 23 | 2222795 | Rail, Lid |
| 24 | 2222981 | Gasket, Utility Bin |
| 25 | 2222921 | Bin, Utility |
| 26 | | End Cap, Utility Bin |
| | 2222920 | Left Side |
| | 2222919 | Right Side |

FOR ORDERING INFORMATION REFER TO PARTS PRICE LIST

FREEZER DOOR AND BASKET PARTS

For Model: KBFO42FTX02

(Etched Aluminum)



FOR ORDERING INFORMATION REFER TO PARTS PRICE LIST

FREEZER DOOR AND BASKET PARTS

For Model: KBF042FTX02
(Etched Aluminum)

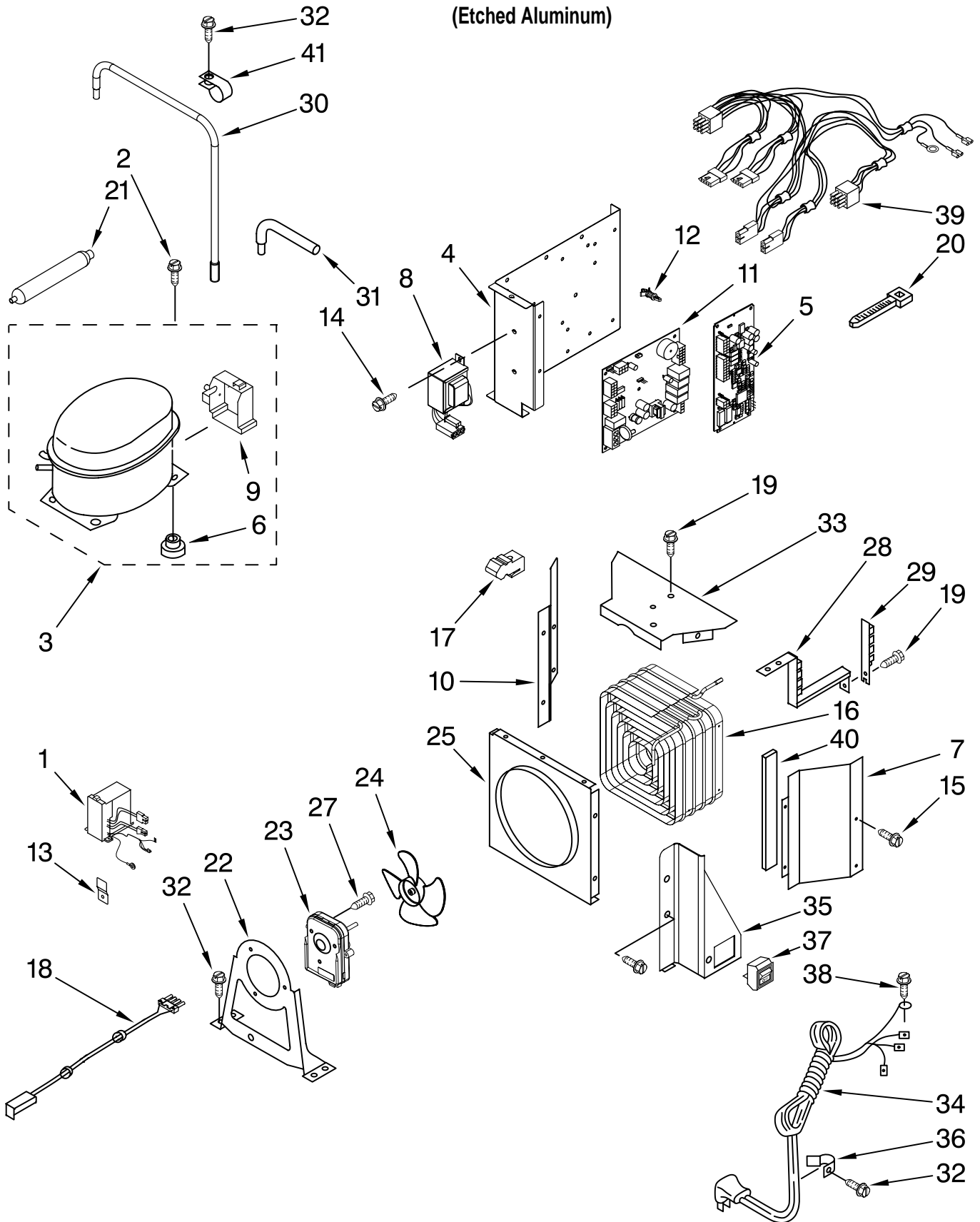
| Illus. No. | Part No. | DESCRIPTION |
|-------------------|-----------------|---|
| 1 | 2327400 | Freezer Door (Includes #9) |
| 2 | 2317101 | Divider, Basket (2) |
| 3 | 2314024 | Mat, Basket |
| 4 | W10135775 | Screw, 5/16 x 3/4 |
| 5 | W10135792 | Screw, 8/32 x 1/4 |
| 6 | W10109030 | Screw |
| 7 | 2313999S | Trim-Door, Side |
| 8 | 2313998S | Trim-Door, Top & Bottom |
| 9 | 2309216 | Door Gasket, Magnetic |
| 10 | 2309033S | Cover-Trim, Top |
| 11 | 2309213S | Cover-Trim, Side |
| 13 | 8281250 | Screw, 8-15 x 1/2 |
| 14 | 2327532 | Basket Assembly, Freezer |
| 15 | 2207454 | Nut, Hex |
| 16 | W10001190 | Washer |
| 17 | W10135775 | Screw, 5/16-24 x 1 (Basket to Slide) |
| 18 | 2258903 | Cap, Door (4) Corner |

FOR ORDERING INFORMATION REFER TO PARTS PRICE LIST

UPPER UNIT PARTS

For Model: KBFO42FTX02

(Etched Aluminum)



FOR ORDERING INFORMATION REFER TO PARTS PRICE LIST

UPPER UNIT PARTS

For Model: KBFO42FTX02
(Etched Aluminum)

| Illus. No. | Part No. | DESCRIPTION |
|------------|-----------|--|
| 1 | W10133449 | Inverter Box |
| 2 | 489373 | Screw, Compressor Mounting (4) |
| 3 | 2302967 | Compressor (Includes Items 6, 9 & 21) (Also Order 876765 Tube Kit) |
| 4 | 2307683 | Housing, Control Board |
| 5 | 2303091 | Control Board |
| 6 | 1100826 | Grommet, Mounting |
| 7 | 2309002 | Support, Condenser (Right) |
| 8 | 2303033 | Transformer |
| 9 | 2215676 | Terminal Cover |
| 10 | 2309001 | Support, Condenser (Left) |
| 11 | W10121049 | Control Board |
| 12 | 2203075 | Spacer (9) |
| 13 | 2256328 | Bracket, Inverter Box |
| 14 | 487415 | Screw |
| 15 | 1157158 | Screw |
| 16 | 2307998 | Condenser |
| 17 | 2309431 | Grommet (2) |
| 18 | 2310207 | Wire, Jumper |

| Illus. No. | Part No. | DESCRIPTION |
|------------|-----------|------------------------------------|
| 19 | 489399 | Screw |
| 20 | 2155774 | Wire Tie |
| 21 | 2317982 | Drier |
| 22 | W10136614 | Bracket, Fan Motor |
| 23 | 2188875 | Motor, Fan |
| 24 | W10139483 | Blade, Fan |
| 25 | 2003169 | Orifice, Fan |
| 27 | 8533993 | Screw |
| 28 | 2317031 | Bracket, Vibration (Condenser) |
| 29 | 2317030 | Arm, Vibration (Condenser) |
| 30 | 2307566 | Tube, Transition (Condenser/Drier) |
| 31 | 2194319 | Tube, Process |
| 32 | 486194 | Screw |
| 33 | 2309000 | Cover, Condenser |
| 34 | 2310251 | Service Cord |
| 35 | 2307684 | Bracket, Mounting (Power Switch) |
| 36 | 549193 | Clamp, Cord |
| 37 | 2266802 | Switch, Power Disconnect |
| 38 | 487294 | Screw, Ground |
| 39 | W10123227 | Wiring Harness, Unit Compartment |
| 40 | 2309432 | Gasket, Condenser |
| 41 | 488937 | Clamp, Tube |

| Illus. No. | Part No. | DESCRIPTION |
|---|----------|-----------------------|
| Following Parts Not Illustrated and Optional Parts Not Included | | |
| | 978025 | Valve, Access (1/4") |
| | 978026 | Valve, Access (5/16") |
| | 978027 | Valve, Access (3/8") |
| | 978028 | Valve, Access (1/2") |
| | 978029 | Valve, Access (5/8") |
| | 978030 | Valve, Access (3/4") |
| | 876764 | Valve, Access (3/16") |

REFRIGERANT CHARGE

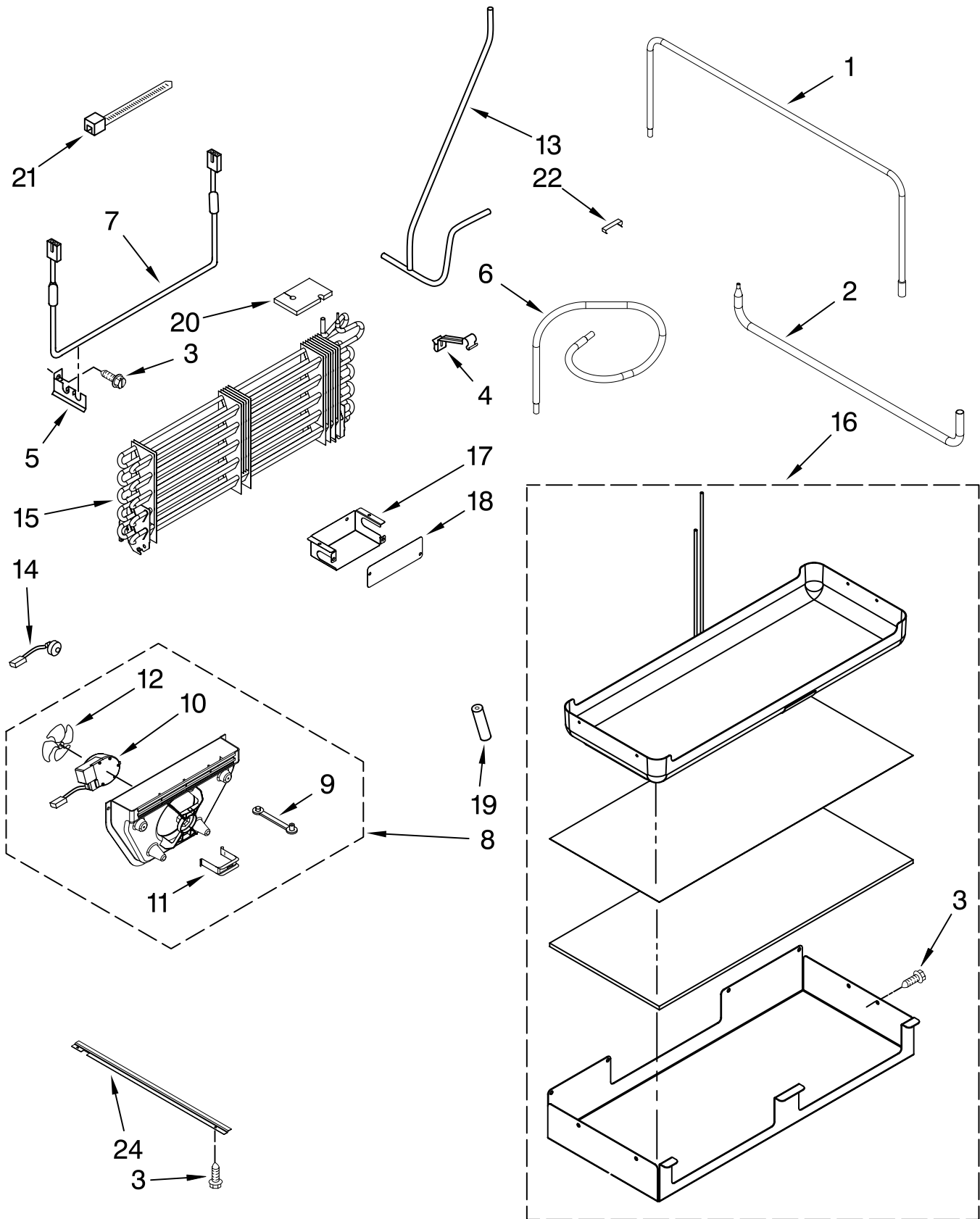
6.25 oz.
(R-134A)

FOR ORDERING INFORMATION REFER TO PARTS PRICE LIST

LOWER UNIT AND TUBE PARTS

For Model: KBF042FTX02

(Etched Aluminum)



FOR ORDERING INFORMATION REFER TO PARTS PRICE LIST

LOWER UNIT AND TUBE PARTS

For Model: KBFO42FTX02
(Etched Aluminum)

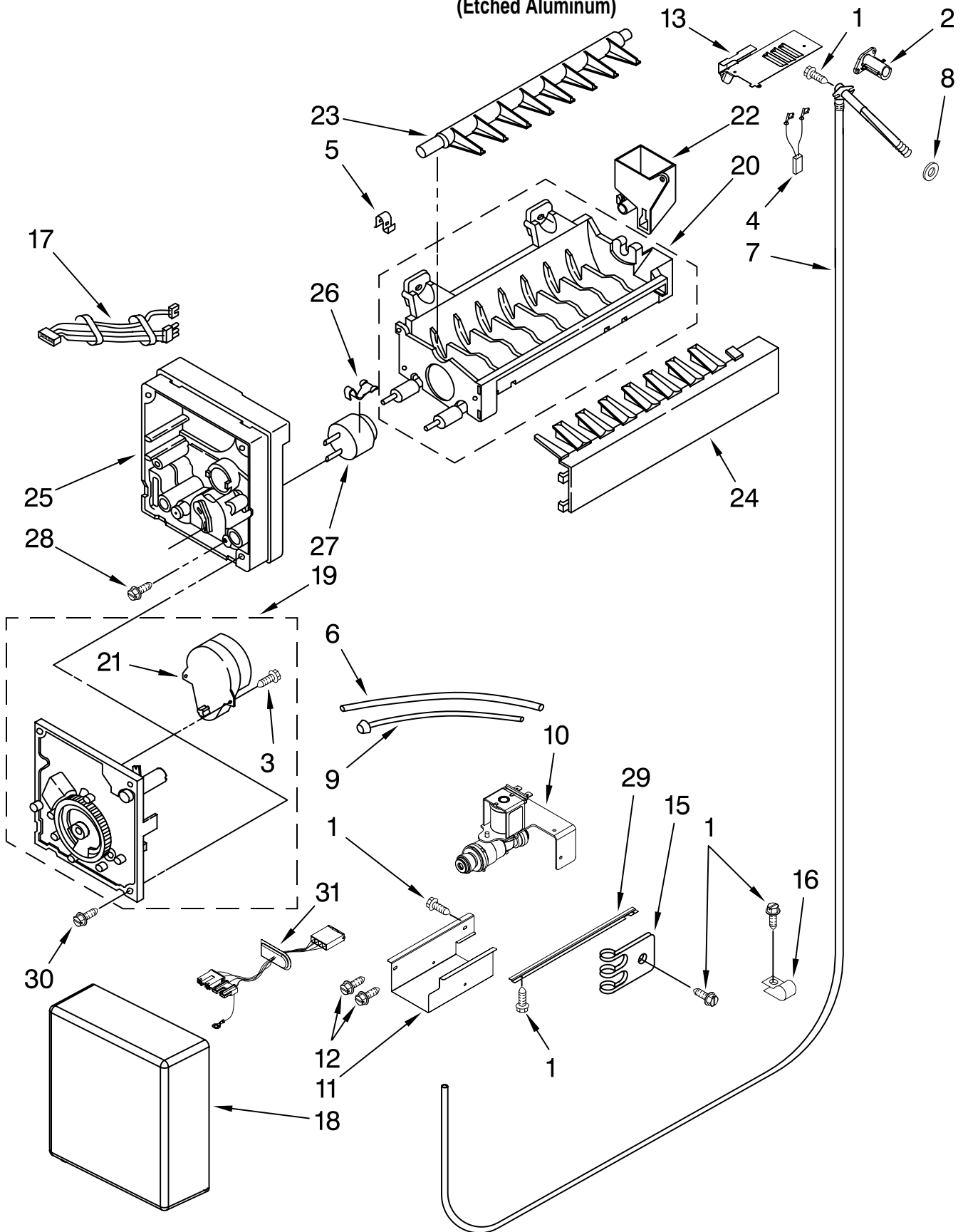
| Illus. No. | Part No. | DESCRIPTION |
|-----------------------|---------------------|--|
| 1 | 2309072 | Tube, Transition (Condenser) |
| 2 | 2309070 | Tube, Transition (Drier/Restrictor) |
| 3 | 486194 | Screw |
| 4 | 2307944 | Clip |
| 5 | 2307945 | Bracket, Mounting |
| 6 | 2309076 | Tube, Suction |
| 7 | 2306176 | Heater, Defrost |
| 8 | 2306178 | Scroll Assembly |
| 9 | 2223986 | Grommet, Motor |
| 10 | 2259385 | Motor, Fan |
| 11 | 2223733 | Retainer, Fan Motor |
| 12 | 2169142 | Blade, Fan |
| 13 | W10121368 | Tube, Discharge |
| 14 | 2310137 | Defrost Bi-Metal |
| 15 | 2306485 | Evaporator (Includes #5 & 7) |
| 16 | 2320615 | Drain Pan Assembly |
| 17 | W10153595 | Cover, Box |
| 18 | W10151288 | Cover, Wiring |
| 19 | 2215648 | Dampener, Heater |
| 20 | 2306180 | Block, Evaporator Water Filter |
| 21 | 2155774 | Wire Tie |
| 22 | 2215691 | Clip, Heater |
| 24 | 2320554 | Bracket, Drain Pan |

FOR ORDERING INFORMATION REFER TO PARTS PRICE LIST

ICEMAKER PARTS

For Model: KBFO42FTX02

(Etched Aluminum)



FOR ORDERING INFORMATION REFER TO PARTS PRICE LIST

ICEMAKER PARTS

For Model: KBFO42FTX02
(Etched Aluminum)

| Illus. No. | Part No. | DESCRIPTION |
|------------|-----------|----------------------------|
| 1 | 486194 | Screw |
| 2 | 2221240 | Heater, Fill Tube |
| 3 | 489136 | Screw (2) |
| 4 | 2310108 | Jumper, Heater Fill Tube |
| 5 | 628379 | Clip, Fuse |
| 6 | 2325170 | Tube, Filter Inlet |
| 7 | 2317848 | Tube Assembly, Water Inlet |
| 8 | 1106508 | Seal Gasket |
| 9 | 2317912 | Tube, Filter Outlet |
| 10 | 2307650 | Valve, Solenoid |
| 11 | W10129653 | Shield, Valve |
| 12 | 489464 | Screw |
| 13 | 2221231 | Heat Shield |
| 15 | 489348 | Clamp, Valve |

| Illus. No. | Part No. | DESCRIPTION |
|------------|-----------|---|
| 16 | 488946 | Clamp, Tubing |
| 17 | 2310136 | Wire Harness, Icemaker |
| 18 | 2257538 | Cover |
| 19 | 626691 | Module Assembly (Includes Items 3 & 21) |
| 20 | W10122527 | Mold & Heater (Also Order 542638 Silicone Grease) |
| 21 | 626683 | Motor |
| 22 | 628356 | Cup, Water Fill |
| 23 | 627843 | Ejector |
| 24 | 2182124 | Ice Stripper |
| 25 | 2195914 | Support |
| 26 | 2315522 | Retainer, Thermostat (2) |

| Illus. No. | Part No. | DESCRIPTION |
|------------|-----------|---|
| 27 | 627985 | Thermostat (Also Order 542639 Cement Alumilastic) |
| 28 | 8533917 | Screw |
| 29 | 2320559 | Support, Valve |
| 30 | 489276 | Screw |
| 31 | W10139195 | Wire Assembly (Water Valve) |
| 100 | 2316895 | Complete Icemaker Assembly |

Following Parts Not Illustrated
(Optional Parts Only)

8537055 Cleaner, Stainless Steel

Free Manuals Download Website

<http://myh66.com>

<http://usermanuals.us>

<http://www.somanuals.com>

<http://www.4manuals.cc>

<http://www.manual-lib.com>

<http://www.404manual.com>

<http://www.luxmanual.com>

<http://aubethermostatmanual.com>

Golf course search by state

<http://golfingnear.com>

Email search by domain

<http://emailbydomain.com>

Auto manuals search

<http://auto.somanuals.com>

TV manuals search

<http://tv.somanuals.com>