

# KitchenAid®

FOR THE WAY IT'S MADE.™



## KitchenAid®

### No-Frost Refrigerator

Models KTHS20K KTRS22K  
KTHS20M KTRS22M  
KTRS20K KTRS25K  
KTRS20M

A Note to You .....	2
Important Safety Instructions .....	3
Parts and Features .....	4
Installing the Refrigerator .....	5
Using the Refrigerator .....	7
Caring for the Refrigerator .....	17
Food Storage Guide .....	20
If You Need Assistance or Service .....	22
Warranty .....	24

Call Us With Questions  
Or Comments:

**1-800-422-1230**

# A Note to You

## Thank you for buying a KitchenAid® home appliance.

You purchased a quality, *world-class* home appliance. Years of engineering experience went into its manufacturing. To ensure that you enjoy many years of trouble-free operation, we developed this Use and Care Guide. It is full of valuable information on how to operate and maintain your home appliance properly and safely. Please read it carefully. Also, please complete and mail the Ownership Registration Card provided with your home appliance.

## Your safety is important to us.

This guide contains safety symbols and statements. Please pay special attention to these symbols and follow any instructions given. Here is a brief explanation of the use of each symbol.

**⚠ WARNING**

This symbol will help alert you to such dangers as personal injury, burns, fire and electrical shock.

**⚠ CAUTION**

This symbol will help you avoid actions which could cause product damage (scratches, dents, etc.) and damage to your personal property.

## Our Consumer Assistance Center telephone number, 1-800-422-1230, is toll-free, 24 hours a day.

If you ever have a question concerning your home appliance's operation, or if you need service, feel free to call our toll-free Consumer Assistance Center telephone number for help. When calling, you will need to know your appliance's complete model number and serial number. You can find this information on the model and serial number label (see diagram on page 4). For your convenience, below we have included a handy place for you to record these numbers. Also, please record the date the product was purchased/installed and the Builder's or Dealer's name, address and phone number. You will need this information if you ever require service. Keep this book and the sales slip together in a safe place for future reference.

**IMPORTANT:** You must provide proof of purchase or installation date for in-warranty service.

Model Number \_\_\_\_\_ Builder/Dealer Name \_\_\_\_\_

Serial Number \_\_\_\_\_ Address \_\_\_\_\_

Date Purchased \_\_\_\_\_ Phone \_\_\_\_\_

**Don't forget, KitchenAid offers a full line of quality home appliances.**

Built-in Refrigerators	Trash Compactors	Ranges & Cooktops
Freestanding Refrigerators	Hot Water Dispensers	Microwave Ovens
50-Pound Ice Makers	Food Waste Disposers	Washers & Dryers
Dishwashers	Built-in Ovens	Mixers & Blenders

For more information on these appliances, or the one you have purchased, call our toll-free Consumer Assistance Center telephone number, 1-800-422-1230.

# Important Safety Instructions

## **⚠ WARNING**

To reduce the risk of fire, electrical shock, or injury when using the refrigerator, follow basic precautions including the following:

- Read all instructions before using the refrigerator.
  - Child entrapment and suffocation are not problems of the past. Junked or abandoned refrigerators are still dangerous ... even if they will "just sit in the garage for a few days."  
If you are getting rid of your old refrigerator, do it safely. Please read the enclosed safety booklet from the Association of Home Appliance Manufacturers. Help prevent accidents.
  - Never allow children to operate, play with or crawl inside the refrigerator.
  - Never clean refrigerator parts with flammable fluids. The fumes can create a fire hazard or explosion.
- FOR YOUR SAFETY •**
- DO NOT STORE OR USE GASOLINE OR OTHER FLAMMABLE VAPORS OR LIQUIDS IN THE VICINITY OF THIS OR ANY OTHER APPLIANCE. THE FUMES CAN CREATE A FIRE HAZARD OR EXPLOSION.

**– SAVE THESE INSTRUCTIONS –**

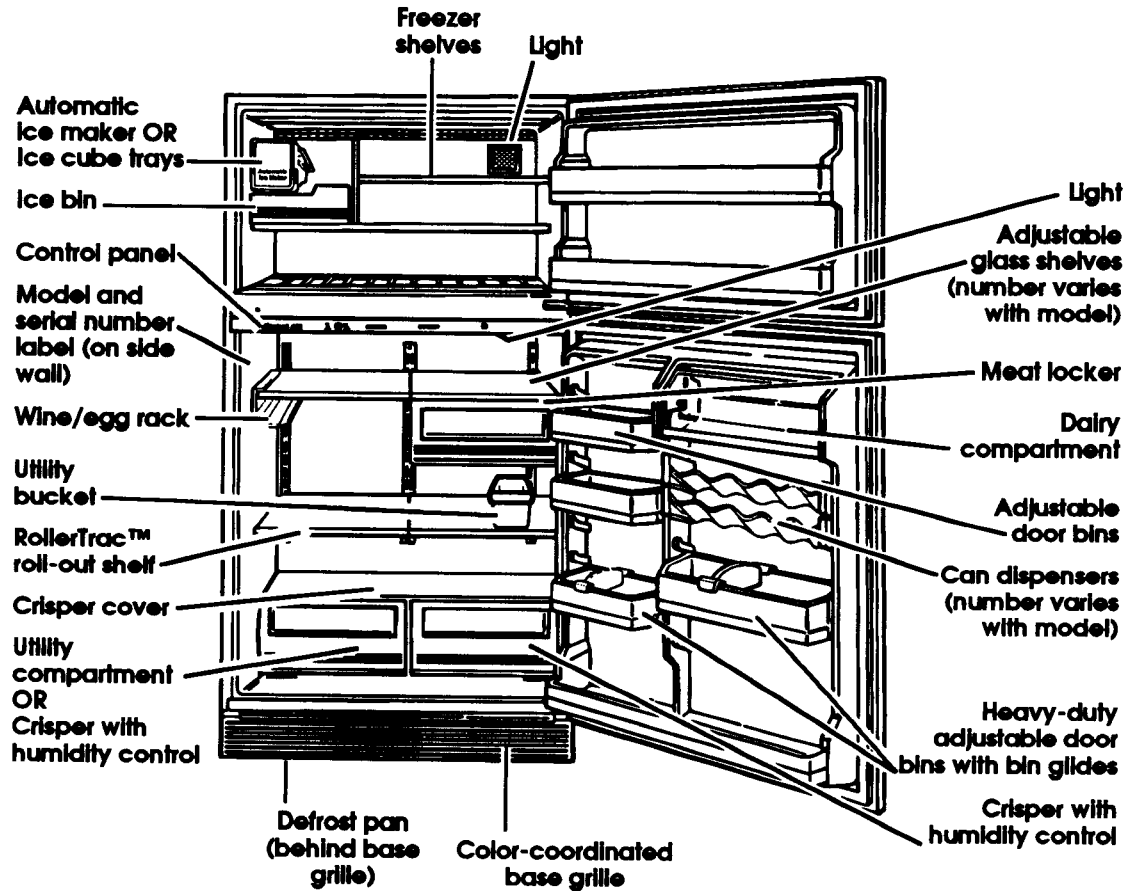
## Help us help you

Please:

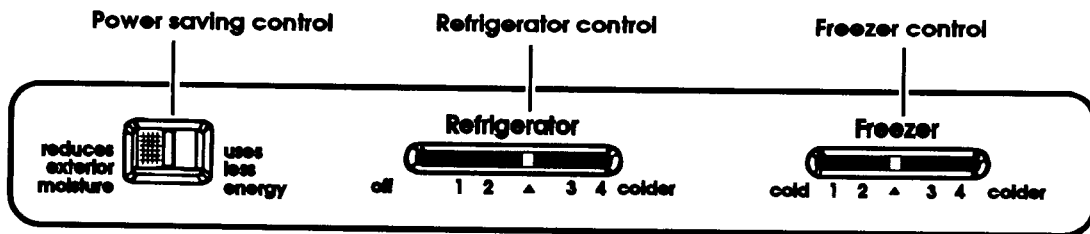
- Install and level the refrigerator on a floor that will hold the weight and in an area suitable for its size and use.
- Make sure unit is not installed near an oven, radiator or other heat source.
- Make sure unit is in an area where the room temperature will not fall below 55°F (13°C).
- Connect the refrigerator only to the proper kind of outlet with the correct electrical supply and grounding. (Refer to the Electrical Requirements and Grounding Instructions Sheet.)
- Make sure unit is not loaded with food before it has time to get properly cold.
- Use the refrigerator only for the uses described in this manual.
- Properly maintain the refrigerator.
- Make sure unit is not used by anyone unable to operate it properly.

# Parts and Features

This section contains captioned illustrations of your appliance. Use them to become familiar with where all parts and features are located and what they look like.



## Control Panel



# Installing the Refrigerator

In This Section		Page	Page
Cleaning the refrigerator .....	5	Locating the refrigerator properly .....	6
Plugging in the refrigerator .....	5	Leveling the refrigerator .....	6

If you want your refrigerator to work properly, you need to install it properly. This section tells you all you need to know to install your refrigerator.

## Cleaning the refrigerator

Clean your refrigerator before using it, if necessary. See cleaning instructions on pages 17 and 18.

Remove the Consumer Buy Guide Label and any shipping tape before using the refrigerator.

### To remove any remaining glue:

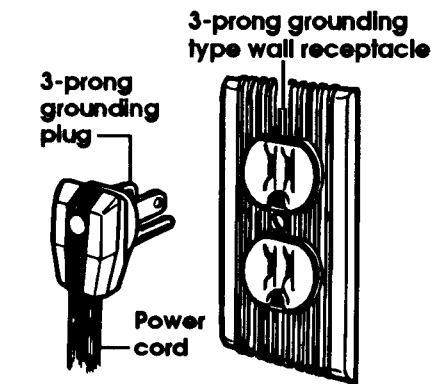
- Rub briskly with your thumb to make a ball, then remove.
- OR
- Soak area with liquid dishwashing detergent before removing glue as described above.

**IMPORTANT:** DO NOT USE sharp instruments, rubbing alcohol, flammable fluids or abrasive cleaners. These can damage the material. See "Important Safety Instructions" on page 3. DO NOT REMOVE the Tech Sheet fastened under the refrigerator, behind the base grille.

## Plugging in the refrigerator

A 115 Volt, 60 Hz., AC only, 15 or 20 amp fused and properly grounded electrical supply is required. It is recommended that a separate circuit, serving only this appliance, be provided.

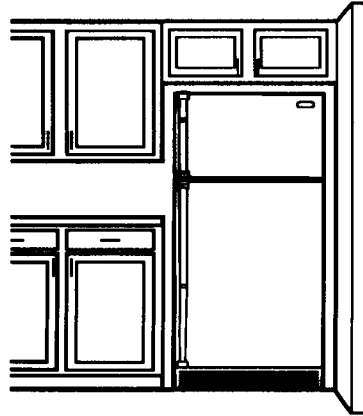
Do not use an extension cord. Use a receptacle which cannot be turned off with a switch or pull chain. See Electrical Requirements and Grounding Instructions Sheet in your Literature Package.



Recommended grounding method

## Locating the refrigerator properly

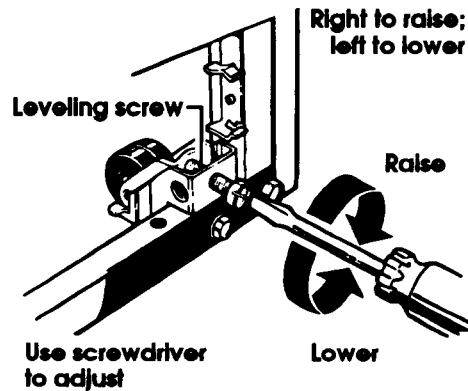
1. Allow ½ inch (1.25 cm) on each side of the refrigerator for ease of installation.
2. The refrigerator back can be flush against the wall.
3. If the hinge side of the refrigerator is to be against a wall, you must leave extra space so the door can be opened wider. **A minimum of 1 ½ inch (2.9 cm) between the refrigerator and wall is required.**



## Leveling the refrigerator

Your refrigerator has 2 front leveling screws—one on the right and one on the left. To adjust one or both of these, follow the directions below.

1. Remove the base grille. (See page 14.)
2. To raise front, turn screw clockwise.
3. To lower front, turn screw counter-clockwise.
4. Check with level.
5. Replace base grille. (See page 14.)



# Using the Refrigerator

In This Section		Page	Page
Setting the controls .....	7	Removing the freezer door shelves ....	12
Changing the control settings .....	8	Removing the upper freezer shelf .....	12
Adjusting the door bins .....	9	Using the ice cube trays .....	12
Adjusting the door bin glides .....	9	Using the automatic ice maker .....	13
Removing the can dispensers .....	9	Removing the base grille .....	14
Using the wine/egg rack .....	9	Removing the defrost pan .....	14
Adjusting the refrigerator shelves .....	10	Changing the light bulbs .....	15
Removing the upper drawer and cover .....	11	Understanding the sounds you may hear .....	16
Removing the lower drawers and cover .....	11	Saving energy .....	16

In order to obtain the best possible results from your refrigerator, it is important that you operate it properly. This section tells you how to do just that.

## Setting the controls

### Temperature controls

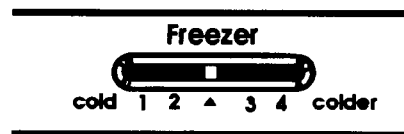
Controls for the refrigerator and freezer are in the refrigerator. When the refrigerator is first plugged in:

1. Set the Refrigerator Control to ▲ (between numbers 2 and 3).

**IMPORTANT:** The off setting on the Refrigerator Control stops all cooling action in the unit, but it does not disconnect the unit from the electrical supply.

2. Set the Freezer Control to ▲ (between numbers 2 and 3).
3. Give the refrigerator time to cool down completely before adding food. (This may take several hours.)

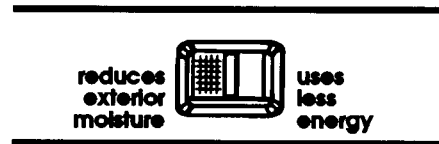
The settings indicated above should be correct for normal, household refrigerator usage. The controls will be set correctly when milk or juice is as cold as you like and when ice cream is firm. If you need to adjust these settings, see "Changing the control settings" on page 8.



### Power saving control

The Power Saving Control on the Control Panel operates electric heaters around the door openings. These heaters help keep moisture from forming on the outside of the unit.

1. Use the **uses less energy** setting (Indicator light off) when humidity is low.
2. Use the **reduces exterior moisture** setting (Indicator light on) if moisture forms on the outside of the unit.



## Changing the control settings

To change the temperature settings, follow the steps below:

1. Adjust the Refrigerator Control first.
2. Wait at least 24 hours before making further adjustments. This gives the refrigerator and/or freezer time to reach the set temperature.
3. Adjust the Freezer Control if necessary.

To make the refrigerator or freezer colder, turn the control toward the number 4 setting. To make the refrigerator or freezer less cold, turn the control toward the number 1 setting.

Changing either the Refrigerator Control or the Freezer Control will affect the temperatures of both compartments.

Use the settings listed in the chart below as a guideline when adjusting the temperature controls.

The following reasons can cause the conditions listed below:

- Door opened often
- Large amount of food added
- Room temperature too warm
- Room temperature too cold (Refrigerator can't cycle often enough.)
- Controls not set correctly for your conditions
- Heavy ice usage

CONDITION:	RECOMMENDED CONTROL SETTING ADJUSTMENTS:	
	REFRIGERATOR	FREEZER
Refrigerator section is too warm	3	2
Freezer section is too warm	3	3
Refrigerator section is too cold	2	3
Ice doesn't freeze fast enough	3	3
Both sections are too warm	3	3



## Adjusting the door bins

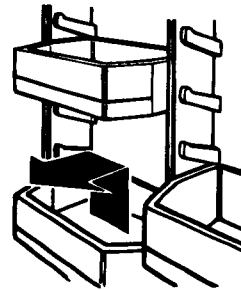
Adjust the door bins to match the way you use your refrigerator.

### To remove bins:

1. Lift bin up.
2. Pull bin straight out.

### To replace bins:

1. Hold back of bin above desired support button.
2. Push bin back and down until it stops.

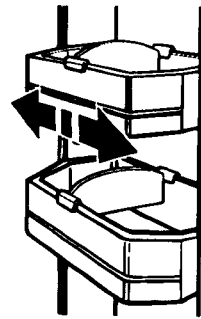


## Adjusting the bin glides

Use the bin glides to secure odd-shaped items in the door bins or to separate other items.

### To adjust the glides:

1. Grasp glide.
2. Move glide along bin.



## Removing the can dispensers

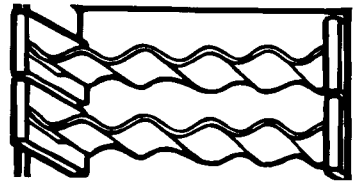
Each dispenser holds 5 beverage cans in a convenient place, leaving more room for larger items.

### To remove dispenser:

1. Lift dispenser up.
2. Pull dispenser straight out.

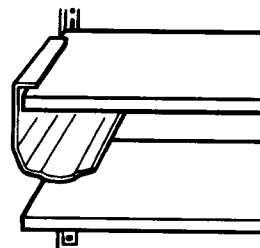
### To replace dispenser:

1. Hold back of dispenser above desired guide.
2. Push dispenser back and down until it stops.



## Using the wine/egg rack

The rack holds either a bottle of wine or a carton of eggs securely. Hang the rack over the left or right side of any refrigerator shelf.



## Adjusting the refrigerator shelves

Adjust the shelves to match the way you use your refrigerator.

### Regular cantilever shelves

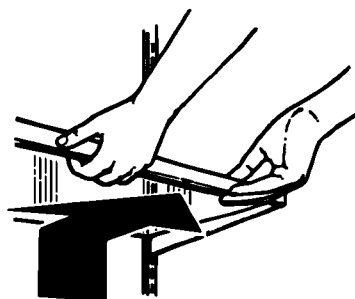
#### To remove shelves:

1. Tilt shelf up at front.
2. Lift shelf up at back.
3. Pull shelf straight out.

**IMPORTANT:** Glass shelves are heavy. Handle with care.

#### To replace shelves:

1. Guide the rear hooks of shelf into slots in the shelf supports.
2. Tilt shelf up at front until hooks drop into slots. Lower front of shelf to level position.
3. Check the stability of the shelf to be sure hooks have been inserted properly.



### RollerTrac™ cantilever shelf

The RollerTrac shelf has rollers which allow you to roll the shelf out for easier access to foods stored on the rear of the shelf.

#### To roll shelf out:

- Carefully pull front of shelf toward you.

#### To roll shelf in:

- Push shelf in until it stops.

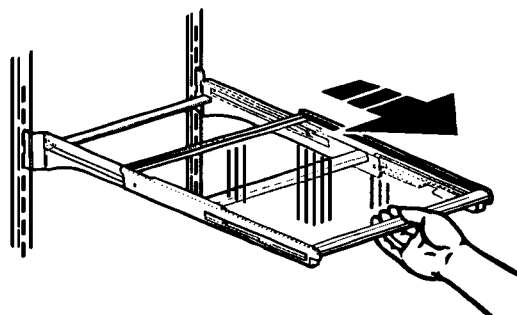
#### To remove shelf:

1. Tilt shelf up at front.
2. Lift shelf up at back.
3. Pull shelf straight out.

**IMPORTANT:** Glass shelves are heavy. Handle with care.

#### To replace shelf:

1. Guide the rear hooks of the shelf into the shelf supports.
2. Tilt shelf up at front until hooks drop into slots. Lower front of shelf to level position.
3. Check the stability of the shelf to be sure hooks have been inserted properly.



## Removing the upper drawer and cover

### To remove the drawer:

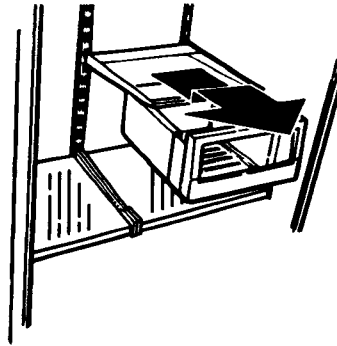
1. Roll out to the stop.
2. Lift front of drawer and pull out the rest of the way.

### To replace the drawer:

1. Position back rollers of drawer between front rollers of cabinet track and the track itself.
2. Push drawer up and onto track.
3. Roll back until it stops.

### To remove cover:

1. Remove drawer.
2. Tilt front of cover up.
3. Lift cover at back and pull straight out.
4. Replace in reverse order.



## Removing the lower drawers and cover

### To remove drawers:

1. Roll out to the stop.
2. Lift front of drawer and pull out the rest of the way.

### To replace drawers:

1. Position back rollers of drawer between front rollers of cabinet track and the track itself.
2. Push drawer up and onto track.
3. Roll back until it stops.

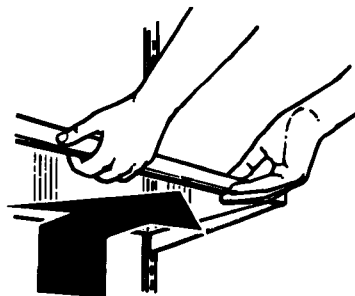
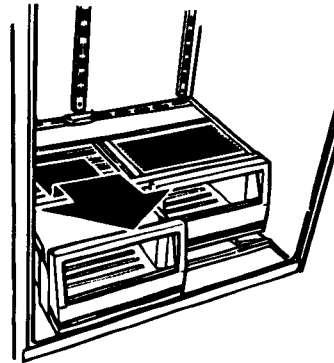
For models KTHS20K, KTHS20M, KTRS20K, KTRS20M, KTRS22K and KTRS22M

### To remove drawer cover:

1. Remove both drawers.
2. Remove glass insert by pushing up from bottom and sliding it out with both hands.
3. Lift front of cover frame.
4. Lift cover frame up and out.

### To replace crisper cover:

1. Place cover frame on supports in rear of cabinet.
2. Lower front of cover frame down onto supports until it is securely in place.
3. Slide glass insert into cover frame, using both hands.
4. Replace both drawers.



continued on next page

**IMPORTANT:** Glass shelves are heavy. Handle them with care.

**For KTRS25K**

Follow cover removal instructions under "Removing the upper drawer and cover" on page 11.

**To adjust lower drawer humidity control:**

You can control the amount of humidity in the moisture-sealed lower drawers.

1. The control can be adjusted to any setting between LOW and HIGH.
2. LOW (open) lets moist air out of the crisper for best storage of fruits and vegetables with skins.
3. HIGH (closed) keeps moist air in the crisper for best storage of fresh leafy vegetables.

---

## Removing the freezer door shelves

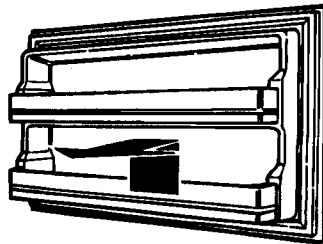
For easier cleaning, remove the door shelves.

**To remove shelves:**

1. Grasp shelf at both ends.
2. Lift up and pull out.

**To replace shelves:**

1. Insert shelf hooks into guides on both sides.
2. Push down to lock into place.



---

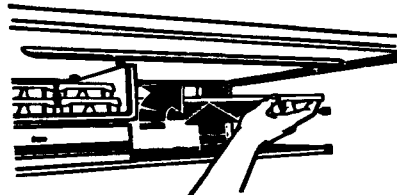
## Removing the upper freezer shelf

**To remove shelf:**

1. Lift front of shelf slightly.
2. Lift side off wire divider.
3. Lift back off supports.
4. Pull shelf straight out.

**To replace shelf:**

Replace in reverse order.



---

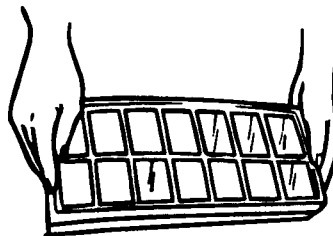
## Using the ice cube trays

**(Models KTHS20K, KTRS20K, KTRS22K and KTRS25K)**

If cubes are not used, they may shrink. The moving cold air starts a slow evaporation process. The longer you store cubes, the smaller they get.

**To remove ice:**

1. Hold tray at both ends.
2. Twist ends in opposite directions.



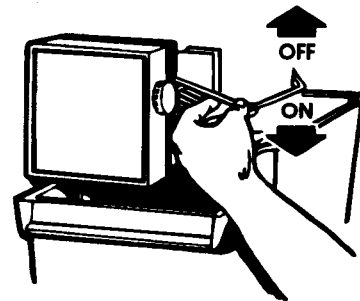
## Using the automatic ice maker

### (Factory-installed on KTHS20M, KTRS20M and KTRS22M)

If you have an automatic ice maker, or if you plan to add one later (Part No. KIMS9), there are a few things you will want to know:

- The ON/OFF lever is a wire signal arm.  
DOWN to make ice automatically.  
UP to shut off the ice maker.
- **IMPORTANT:** Do not turn ice maker on until it is connected to the water supply. **Instructions for ice maker water supply hook up are attached to the back of the refrigerator cabinet.**
- The dial or lever on the side of the ice maker changes the size of the cubes.
- Shake the bin occasionally to keep cubes separated and to obtain increased storage capacity.
- It is normal for ice crescents to be attached by a corner. They break apart easily.
- You will hear water running when ice maker is working. You'll hear ice fall into the bin. Don't let these sounds bother you.
- The ice maker will not operate until the freezer is cold enough to make ice. This can take overnight.
- Because of new plumbing connections, the first ice may be discolored or off-flavored. Discard the first few batches of ice.
- If ice is not being made fast enough and more ice is needed, turn the Refrigerator Control toward a higher number. Wait a day and, if necessary, turn the Freezer Control toward 3.
- If you remove the ice bin, raise the signal arm to shut off the ice maker. When you return the bin, push it in all the way and lower the signal arm to the ON position.
- If cubes are stored too long, they may develop an off-flavor ... like stale water. Throw them away. Ice maker will make new ice. Cubes in the ice bin can also become smaller by evaporation.
- Good water quality is important for good ice quality. It is not recommended that the ice maker be connected to a softened water supply. Water softener chemicals, such as salt from a malfunctioning softener, can damage the ice maker mold and lead to poor ice quality. If a softened water supply cannot be avoided, it is important that the water softener be well maintained and operating properly.

Raise  
signal  
arm to  
stop  
ice.



Lower  
signal  
arm to  
start it.

## Removing the base grille

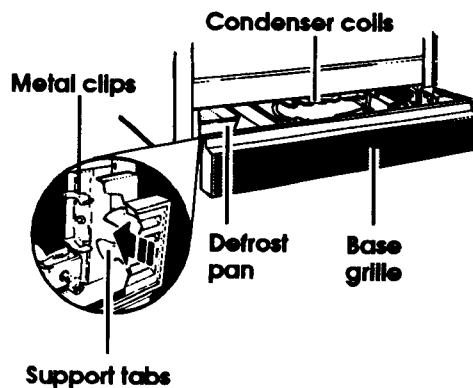
### To remove base grille:

1. Open the freezer door.
2. Pull base grille forward to release support tabs from the metal clips.
3. **Do not remove Tech Sheet** fastened behind the base grille.

### To replace base grille:

1. Line up base grille support tabs with metal clips.
2. Push base grille firmly to snap into place.
3. Close the freezer door.

See cleaning instructions for defrost pan and condenser coils on page 18.



## Removing the defrost pan

### ⚠ WARNING

#### Personal Injury Hazard

Refrigeration system tubes are located above the defrost pan and can become hot. Remove and install defrost pan carefully.

Failure to do so could result in personal injury.

### To remove defrost pan:

1. Remove base grille. (See above.)
2. Lift defrost pan over wire brace. Remove tape, if any.
3. Clean as described on page 18.

### To replace defrost pan:

1. Replace pan with notched corner to the rear.
2. Push defrost pan in all the way. Make sure the defrost drain tube is directed into defrost pan.
3. Replace base grille. (See above.)

## Changing the light bulbs

### **⚠ WARNING**

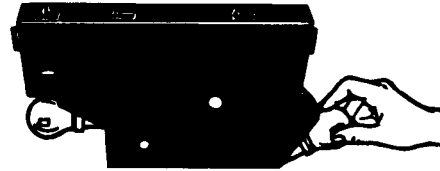
#### **Electrical Shock Hazard**

Before removing a light bulb, either unplug the refrigerator or disconnect the electricity leading to the refrigerator at the main power supply.

Failure to do so could result in personal injury or electrical shock.

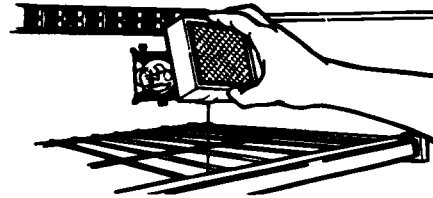
#### **To change refrigerator light:**

1. Disconnect refrigerator from power supply.
2. Reach behind Control Panel to bulbs.
3. Remove bulb and replace with a 40-watt appliance bulb.
4. Reconnect refrigerator to power supply.



#### **To change freezer light:**

1. Disconnect refrigerator from power supply.
2. Grasp bulb cover at top and bottom. Press up on bottom while tilting cover up, then pull it off.
3. Remove bulb and replace with a 25-watt appliance bulb.
4. Insert cover tabs into holes and snap into place.
5. Reconnect refrigerator to power supply.



**IMPORTANT:** Not all commercial appliance bulbs will fit your refrigerator. Be sure to replace a bulb with one of the same size and shape.

## Understanding the sounds you may hear

Your new refrigerator may make different sounds than your previous one. Hard surfaces such as the ceiling, walls and cabinets around the refrigerator can make these sounds seem louder.

The following chart describes the kinds of sounds that might be new to you and what causes them.

SOUNDS/OBSERVATIONS	CAUSES
Hum or hiss	The refrigerator's fan motor and moving air.
Clicking or snapping sounds	The thermostat makes a definite click when the refrigerator stops running. It also makes a sound when the refrigerator starts. The defrost timer will click when the defrost cycle starts and stops.
Running sounds	The high-efficiency compressor and motor will run longer than older designs.
Trickling water/water sounds	During the defrost cycle, the refrigerator will not be running. The trickling water is the frost accumulation on the freezer coil melting and running into the defrost pan. When the refrigerator stops running, you may hear gurgling in the tubing for a few minutes.

## Saving energy

- Open the doors as few times as possible. Keep food organized so you do not have to search for what you want. Get everything you need out at one time. Close the doors as soon as food is removed.
- Make sure your refrigerator is not next to a heat source such as a range, water heater, furnace, radiator or in direct sunlight.
- Keep the Power Saving Control in the **uses less energy** setting (Indicator light off) unless moisture forms on the outside of the refrigerator.
- Set the refrigerator and freezer temperatures to suit your needs—ice cream should be firm and beverages should be as cold as you like them. Avoid setting the refrigerator and freezer temperatures colder than necessary.
- Check the door gasket for a tight seal. Level the cabinet to be sure of a good seal.
- Clean the condenser coils regularly.



# Caring for the Refrigerator

In This Section		Page	Page
Cleaning the refrigerator .....	17	Power Interruptions .....	19
Vacation and moving care .....	18		

Your new refrigerator-freezer is designed to give you many years of dependable service. However, there are a few things you are expected to do in order to maintain your refrigerator-freezer properly. This section will tell you how to clean your refrigerator-freezer and how to care for it when you are going on vacation or moving.

## Cleaning the refrigerator

The refrigerator and freezer sections defrost automatically. However, clean both sections once a month to prevent odors from building up. Wipe up spills immediately.

To clean the refrigerator, turn the Refrigerator Control to OFF, unplug the unit, take out all removable parts and clean the refrigerator according to the directions below.

**⚠ WARNING**

**Personal Injury Hazard**

Refrigeration system tubes are located above the defrost pan and can become hot. Remove and install defrost pan carefully.

Failure to do so could cause personal injury.

PART	WHAT TO USE	HOW TO CLEAN
<b>Exterior surfaces</b>	Sponge, soft cloth or paper towel with mild detergent and warm water Also, use an appliance wax or good auto paste wax	<ul style="list-style-type: none"> <li>• Wash, rinse and dry well. <b>Do not use abrasive or harsh cleaners.</b></li> <li>• Wax painted metal surfaces at least twice a year. Apply wax with a clean, soft cloth. Waxing painted metal surfaces provides rust protection. <b>Do not use wax on plastic parts.</b></li> </ul>
<b>Base grille</b>	Vacuum cleaner with brush attachment	• Vacuum grille.
<b>Removable parts (shelves, meat locker, crisper, utility drawer, etc.)</b>	Sponge or soft cloth with mild detergent and warm water	• Wash, rinse and dry well.

continued on next page

PART	WHAT TO USE	HOW TO CLEAN
Interior walls	Sponge, soft cloth or paper towel with mild detergent and warm water	<ul style="list-style-type: none"> <li>• Wash, rinse and dry well.</li> </ul>
Door liners and gaskets	Sponge, soft cloth or paper towel with mild detergent and warm water	<ul style="list-style-type: none"> <li>• Wash, rinse and dry well.</li> <li><b>Do not use cleaning waxes, concentrated detergents, bleaches, or cleaners containing petroleum or alcohol on plastic parts.</b></li> </ul>
Defrost pan	Sponge or cloth with mild detergent and warm water	<ul style="list-style-type: none"> <li>• See page 14 for removal and replacement instructions.</li> <li>• Wash, rinse and dry well.</li> </ul>
Condenser coils	Vacuum cleaner with extended narrow attachment	<ul style="list-style-type: none"> <li>• Clean coils when dusty or dirty. Coils may need to be cleaned as often as every other month.</li> <li>• Remove base grille. (See page 14.)</li> <li>• Vacuum coils.</li> <li>• Replace base grille. (See page 14.)</li> </ul>

## Vacation and moving care

### Long vacations

If you will be gone for a month or more:

1. Remove all food from refrigerator.
2. If your refrigerator is equipped with an automatic ice maker, turn off the water supply to the ice maker at least one day ahead. When the last load of ice drops, turn off the ice maker.
3. Turn the Refrigerator Control to off. (See "Temperature controls" on page 7.)
4. Unplug the refrigerator
5. Clean, rise thoroughly and dry.
6. Tape rubber or wood blocks to the tops of both doors, keeping them open far enough for air to get in. This keeps odor and mold from building up.

### **⚠ WARNING**

#### **Personal Injury Hazard**

Do not allow children to climb on, play near or crawl inside the refrigerator when the doors are blocked open.

They may become injured or trapped.

To restart the refrigerator, see "Setting the controls" on page 7.

## Short vacations

If you will be away for less than four weeks there is no need to shut off the refrigerator. Use up perishables and freeze other items. If your refrigerator is equipped with an automatic ice maker:

1. Turn off your ice maker by raising the signal arm.
2. Shut off the water supply to the ice maker.
3. Empty the ice bin.

## Moving

When you are moving:

1. If your refrigerator is equipped with an automatic ice maker, shut off the water supply to the ice maker at least a day ahead. Disconnect the water line. After the last load of ice drops, lift the signal arm to turn off the ice maker.
2. Remove all food and pack it in dry ice.
3. Unplug the refrigerator.
4. Clean it thoroughly, rinse and dry.
5. Take out all removable parts and tape them together so they won't rattle.
6. Screw in the leveling legs.
7. Tape the doors shut.
8. Tape the power supply cord to the cabinet.

When you get to your new home, put everything back and refer to page 5. Also, remember to connect the water supply line to the ice maker.

---

## Power interruptions

If electricity goes off, call the power company. Ask how long the power will be off.

1. If service will be interrupted 24 hours or less, **keep both doors closed**. This will help foods stay frozen.
2. If service will be interrupted longer than 24 hours:
  - (a) Remove all frozen food and store in a frozen food locker.

**OR**

  - (b) Place 2 lbs. (0.9 kg) of dry ice in freezer for every cubic foot of freezer space. This will keep food frozen for 2 to 4 days. Wear gloves to protect your hands from burns.

**OR**

  - (c) If neither a food locker nor dry ice is available, use or can perishable food at once.

3. A full freezer stays cold longer than a partly filled one. A freezer full of meat stays cold longer than a freezer full of baked goods. If food contains ice crystals, it may be safely refrozen, although the quality and flavor may be affected. If the condition of the food is poor, or if you feel it is unsafe, dispose of it.

## Questions?

Call our Consumer Assistance Center telephone number, 1-800-422-1230.

# Food Storage Guide

In This Section	Page	Page	
Storing fresh food .....	20	Storing frozen food .....	21

This section gives you helpful information on how to store all types of food and for how long. For more information, see a reliable cookbook or a freezer guide.

## Storing fresh food

### Vegetables

#### Leafy:

Remove store wrapping. Tear off bruised and discolored areas. Wash in cool water, drain. Place in plastic bag or container and store in crisper.

#### With skins:

Store in crisper or plastic bag.

### Fruit

#### Berries:

Sort to remove injured berries. Do not wash berries until they are to be served. Store in original container in crisper.

#### Other:

Sort to remove injured fruit before storing. Wash fruit, let dry, place in perforated plastic bag or loosely covered in plastic container and store in crisper.

### Eggs

Store in original carton. For best storage, place on interior shelf or in wine/egg rack.

### Dairy products

#### Milk:

Store in original container on refrigerator shelf.

#### Butter or margarine:

Store in the utility compartment or on refrigerator shelf until opened. When opened, store in covered dish or on butter dish in the utility compartment.

#### Cheese:

Store in original packaging until opened. When opened, tightly rewrap in plastic wrap or aluminum foil and store in utility compartment or on refrigerator shelf.

### Leftovers

Cover with plastic wrap or aluminum foil, or place in plastic containers with tight fitting lids.

### Condiments

Store small jars and bottles in door bins.

### Beverages

Wipe off bottles and cans. Store in door bins or on refrigerator shelf.

### Meat

#### Cured or smoked meat and cold cuts:

Store in original packaging until opened. When opened, tightly rewrap using plastic wrap or aluminum foil.

#### Fresh, prepackaged meat and poultry:

Store in original packaging.

#### Fresh, not prepackaged:

Remove market wrapping paper. Rewrap in plastic wrap.

#### Cooked meat and poultry:

Wrap or cover with plastic wrap or aluminum foil. Store immediately.

#### Fresh fish and shellfish:

Store in plastic bag or tightly covered container.

**Storage chart for meats\***

TYPE	APPROXIMATE TIME (DAYS)
Chicken	1 to 2
Ground beef	1 to 2
Variety meats	1 to 2
Steaks and roasts	3 to 5
Cold cuts	3 to 5
Bacon	5 to 7
Cured meat	7 to 10

\*If storing meat longer than the time given, freezing is recommended.

**IMPORTANT:** Use fresh fish and shellfish the same day as purchased.

## Storing frozen food

### Prepackaged frozen food

Store in original packaging on freezer door shelf or on freezer shelf.

### Meat/poultry

Trim off excess fat and remove bones when necessary. Meat/poultry should not be salted. Wrap tightly in heavy-duty aluminum foil, plastic-coated paper or non-permeable plastic wraps (made out of a saran film). Press out as much air as possible. Label and date the meat/poultry. Do not refreeze thawed meat.

### Ice cream

Store in original packaging. When opened, place a piece of aluminum foil or waxed paper against ice cream surface to prevent the formation of ice crystals.

### Frozen juices

Store in original container on freezer door shelf or on freezer shelf.

### Storage chart for frozen food\*

TYPE	APPROXIMATE TIME (MONTHS)
Bread	2
Cooked dishes	2 to 3
Fresh fish/seafood	6
Frozen fish/seafood	1 to 3
Fruit	6
Ice cream	1
Concentrated juice	4 to 6
Bacon	less than 1
Pork roast/chops	3 to 4
Sausage	1 to 2
Beef/veal/lamb roasts	6
Ground meat	1 to 2
Poultry	3 to 4
Vegetables	6

\*Storage times given in this chart are only a guide. For best use of freezer space, keep frozen food for short times. Use, then replace as needed.

Courtesy of National Livestock & Meat Board and U.S.D.A.

# If You Need Assistance or Service

If you ever have questions or comments about your appliance, you can call our toll-free Consumer Assistance Center telephone number, 1-800-422-1230, 24 hours a day.

This section is designed to help you save the cost of a service call. Part 1 outlines possible problems, their causes, and actions you can take to solve each problem. Parts 2 and 3 tell you what to do if you still need assistance or service. When calling our Consumer Assistance Center for help or calling for service, please provide a detailed description of the problem, your appliance's complete model and serial numbers and the purchase or installation date. (See page 2.) This information will help us respond properly to your request.

## 1. Before calling for service ...

If your appliance should fail to operate, review the following list before calling your dealer. You could save the cost of a service call.

PROBLEM	CHECK IF	WHAT TO DO
<b>The refrigerator will not operate</b>	The power cord is not plugged into a live circuit with the proper voltage.	Plug the power cord into a live circuit with the proper voltage.
	A household fuse is blown or circuit breaker is tripped.	Change the fuse or reset the circuit breaker.
	The Refrigerator Control is in the OFF position.	Set Refrigerator Control to a setting other than OFF.
<b>The refrigerator makes unfamiliar sounds</b>		New features on your refrigerator make new sounds. See "Understanding the sounds you may hear" on page 16 for normal operating sounds.
<b>There is water in the defrost pan</b>		This is normal in hot, muggy weather. The pan can even be half full. Make sure the refrigerator is level so the pan will not overflow.
<b>The lights are not working</b>	A household fuse is blown or circuit breaker is tripped.	Change the fuse or reset the circuit breaker.
	A light bulb is burned out.	See page 15 for instructions for changing the light bulbs.
<b>The motor seems to run too long</b>	The room is too warm, too much food was put into refrigerator at one time or the doors have been opened too often.	The motor naturally runs longer on hot days or if the room is too warm, as well as when a large amount of food has been put into the refrigerator or the doors have been opened a lot.

**2. If the problem is not due to one of the items on page 22:**

- Call KitchenAid Consumer Assistance Center toll-free:

**1-800-422-1230**

and talk with one of our trained consultants. The consultant can instruct you in how to obtain satisfactory operation from your appliance or, if service is necessary, recommend a qualified service company in your area.

- If you prefer, write to:  
Consumer Assistance Center  
KitchenAid  
2000 M-63  
Benton Harbor MI, 49022

Please include a daytime phone number in your correspondence.

**3. If you need service:**

- Call your dealer or the repair service he recommends.
- All service should be handled locally by the dealer from whom you purchased the unit or an authorized KitchenAid® servicer.
- If you are unable to obtain the name of a local authorized KitchenAid servicer, call our Consumer Assistance Center telephone number (see Step 2).

**4. If you are not satisfied with the action taken:**

- Contact the Major Appliance Consumer Action Panel (MACAP). MACAP is a group of consumer experts that voices consumer views at the highest levels of the major appliance industry.
- Contact MACAP only when the dealer, authorized servicer and KitchenAid have failed to resolve your problem.

Major Appliance Consumer Action Panel  
20 North Wacker Drive  
Chicago, IL 60606

- MACAP will in turn inform us of your action.

# KitchenAid®

## Freestanding Refrigerator Warranty

LENGTH OF WARRANTY:	KITCHENAID WILL PAY FOR:	KITCHENAID WILL NOT PAY FOR:
<b>ONE YEAR FULL WARRANTY FROM DATE OF PURCHASE.</b>	Replacement parts and repair labor costs to correct defects in materials or workmanship. Service must be provided by an authorized KitchenAid servicing outlet.	<b>A. Service calls to:</b> 1. Correct the installation of the refrigerator. 2. Instruct you how to use the refrigerator. 3. Replace house fuses or correct house wiring. 4. Replace house plumbing. <b>B. Repairs when refrigerator is used in other than normal home use.</b> <b>C. Damage resulting from accident, alteration, misuse, abuse, improper installation or installation not in accordance with local electrical codes or plumbing codes.</b> <b>D. Any food loss due to product failure.</b> <b>E. Any labor costs during the limited warranty.</b> <b>F. Replace parts or repair labor costs for units operated outside the United States.</b> <b>G. Pickup and delivery. This product is designed to be repaired in the home.</b> <b>H. Repairs to parts or systems caused by unauthorized modifications made to the appliance.</b>
<b>SECOND THROUGH FIFTH YEAR FULL WARRANTY FROM DATE OF PURCHASE.</b>	Replacement or repair of the refrigerator/freezer cavity liner if the part cracks due to defective material or workmanship. Service must be provided by an authorized KitchenAid servicing outlet.  Replacement parts and repair labor costs to correct defects in materials or workmanship in the sealed refrigeration system. These parts are: 1. Compressor; 2. Evaporator; 3. Condenser; 4. Drier; 5. Connecting Tubing. Service must be provided by an authorized KitchenAid servicing outlet.	
<b>SIXTH THROUGH TENTH YEAR LIMITED WARRANTY FROM DATE OF PURCHASE.</b>	Replacement parts to correct defects in materials or workmanship in the sealed refrigeration system. These parts are: 1. Compressor; 2. Evaporator; 3. Condenser; 4. Drier; 5. Connecting Tubing.	

**KITCHENAID DOES NOT ASSUME ANY RESPONSIBILITY FOR INCIDENTAL OR CONSEQUENTIAL DAMAGES.** Some states do not allow the exclusion or limitation of incidental or consequential damages, so this exclusion may not apply to you.

This warranty gives you specific legal rights and you may also have other rights which may vary from state to state.

If you need service, first see the "Assistance or Service" section of this book. After checking "Assistance or Service," additional help can be found by calling our Consumer Assistance Center telephone number, **1-800-422-1230**, from anywhere in the U.S.

KitchenAid  
St. Joseph, Michigan, U.S.A. 49085



Printed on recycled paper—  
10% post consumer waste  
50% recovered materials

**Part No. 2161695 Rev. B**

© 1994 KitchenAid

® Registered Trademark/TM Trademark of KitchenAid

Printed in U.S.A.



## Free Manuals Download Website

<http://myh66.com>

<http://usermanuals.us>

<http://www.somanuals.com>

<http://www.4manuals.cc>

<http://www.manual-lib.com>

<http://www.404manual.com>

<http://www.luxmanual.com>

<http://aubethermostatmanual.com>

Golf course search by state

<http://golfingnear.com>

Email search by domain

<http://emailbydomain.com>

Auto manuals search

<http://auto.somanuals.com>

TV manuals search

<http://tv.somanuals.com>