

KitchenAid®

**WINE CELLAR
OVERLAY MODEL**

Use & Care Guide

For questions about features, operation/performance, parts, accessories, or service, call: **1-800-422-1230** or visit our website at...

www.kitchenaid.com

In Canada, call: **1-800-807-6777**, or visit our website at...

www.KitchenAid.ca

**BODEGA
MODELO RECUBIERTO**

Manual de uso y cuidado

Para consultas respecto a características, operación/desempeño, partes, accesorios o servicio, llame al: **1-800-422-1230**
o visite nuestra página de internet...

www.kitchenaid.com

En Canadá, llame al: **1-800-807-6777** o visite nuestra página de internet...

www.KitchenAid.ca

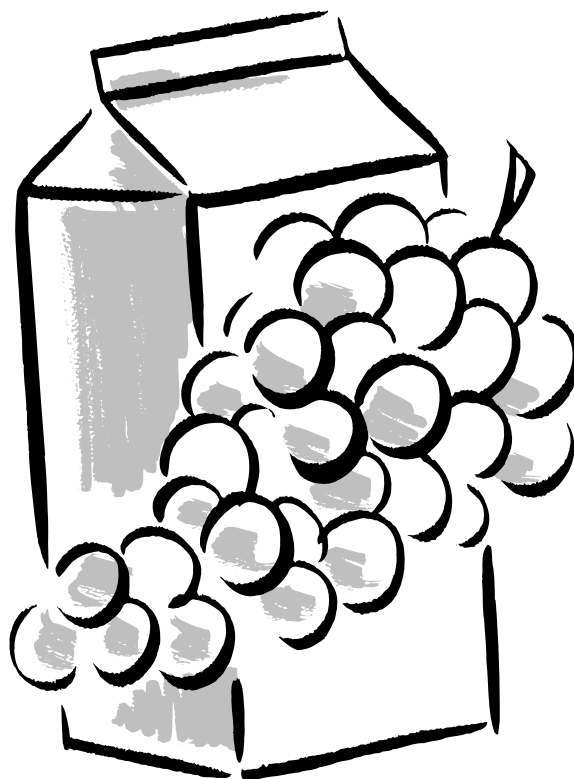
**CAVE À VIN
MODÈLE OVERLAY**

Guide d'utilisation et d'entretien

Au Canada, pour assistance, installation ou service, composez le **1-800-807-6777** ou visitez notre site web à...

www.KitchenAid.ca

Table of Contents/Índice/Table des matières.....2



2300273D

TABLE OF CONTENTS

WINE CELLAR SAFETY	3	Wine Racks	9
Proper Disposal of Your Old Wine Cellar	3	Stocking the Wine Cellar	9
INSTALLATION INSTRUCTIONS	4	Lighting the Wine Cellar	9
Tools and Parts	4	WINE CELLAR CARE	10
Custom Overlay Frame	4	Cleaning	10
Location Requirements	5	Changing the Light Bulb	10
Electrical Requirements	5	Vacation and Moving Care	10
Unpack the Wine Cellar	6	TROUBLESHOOTING	11
Install Custom Overlay Frame	6	ASSISTANCE OR SERVICE	12
Door Closing	7	In the U.S.A.	12
Base Grille	8	In Canada	12
WINE CELLAR USE	8	Accessories	12
Normal Sounds	8	WARRANTY	13
Using the Control	8		

ÍNDICE

SEGURIDAD DE LA BODEGA	14	Portabotellas	20
Cómo deshacerse adecuadamente de su bodega vieja	14	Cómo almacenar en la bodega	21
INSTRUCCIONES DE INSTALACIÓN	15	Cómo iluminar la bodega	21
Piezas y herramientas	15	CUIDADO DE LA BODEGA	21
Marco recubierto a la medida	15	Limpieza	21
Requisitos de ubicación	16	Cómo cambiar el foco	22
Requisitos eléctricos	16	Cuidado durante las vacaciones y mudanzas	22
Desempaque de la bodega	17	SOLUCIÓN DE PROBLEMAS	23
Cómo instalar el marco recubierto a la medida	17	AYUDA O SERVICIO TÉCNICO	24
Cierre de la puerta	19	En los EE.UU.	24
Rejilla de la base	19	En Canadá	24
USO DE LA BODEGA	19	Accesorios	24
Sonidos normales	19	GARANTÍA	25
Uso del control	20		

TABLE DES MATIÈRES

SÉCURITÉ DE LA CAVE À VIN	27	Casiers à vin	33
Mise au rebut de votre vieille cave à vin	27	Stockage dans la cave à vin	34
INSTRUCTIONS D'INSTALLATION	28	Éclairage de la cave à vin	34
Outillage et pièces	28	ENTRETIEN DE LA CAVE À VIN	34
Cadre décoratif personnalisé	28	Nettoyage	34
Exigences d'emplacement	29	Changement de l'ampoule d'éclairage	35
Spécifications électriques	29	Précautions à prendre pour les vacances et avant un déménagement	35
Déballage de la cave à vin	30	DÉPANNAGE	36
Installation du cadre décoratif personnalisé	30	ASSISTANCE OU SERVICE	37
Fermeture de la porte	32	Aux États-Unis	37
Grille de la base	32	Au Canada	37
UTILISATION DE LA CAVE À VIN	32	Accessoires	37
Sons normaux	32	GARANTIE	38
Utilisation de la commande	33		

WINE CELLAR SAFETY

Your safety and the safety of others are very important.

We have provided many important safety messages in this manual and on your appliance. Always read and obey all safety messages.



This is the safety alert symbol.

This symbol alerts you to potential hazards that can kill or hurt you and others.

All safety messages will follow the safety alert symbol and either the word "DANGER" or "WARNING." These words mean:

⚠ DANGER

You can be killed or seriously injured if you don't immediately follow instructions.

⚠ WARNING

You can be killed or seriously injured if you don't follow instructions.

All safety messages will tell you what the potential hazard is, tell you how to reduce the chance of injury, and tell you what can happen if the instructions are not followed.

IMPORTANT SAFETY INSTRUCTIONS

WARNING: To reduce the risk of fire, electric shock, or injury when using your wine cellar, follow these basic precautions:

- Plug into a grounded 3 prong outlet.
- Do not remove ground prong.
- Do not use an adapter.
- Do not use an extension cord.
- Disconnect power before servicing.
- Replace all parts and panels before operating.
- Remove doors from your old wine cellar.
- Use nonflammable cleaner.
- Keep flammable materials and vapors, such as gasoline, away from wine cellar.
- Use two or more people to move and install wine cellar.

SAVE THESE INSTRUCTIONS

Proper Disposal of Your Old Wine Cellar

⚠ WARNING

Suffocation Hazard

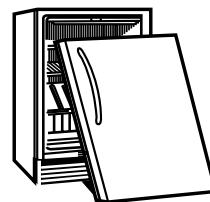
Remove door from your old wine cellar.

Failure to do so can result in death or brain damage.

IMPORTANT: Child entrapment and suffocation are not problems of the past. Junked or abandoned wine cellars are still dangerous – even if they will sit for “just a few days.” If you are getting rid of your old wine cellar, please follow these instructions to help prevent accidents.

Before You Throw Away Your Old Wine Cellar:

- Take off the door.
- Leave the racks in place so that children may not easily climb inside.



INSTALLATION INSTRUCTIONS

Tools and Parts

TOOLS NEEDED:

Gather the required tools and parts before starting installation. Read and follow the instructions provided with any tools listed here.

- Cordless drill
- Scissors
- $\frac{1}{16}$ " and $\frac{3}{8}$ " Brad point doweling drill bit
- Masking tape
- Phillips screwdriver
- Tape measure
- Rotary tool
- Petroleum jelly

PARTS NEEDED:

Custom Overlay Frame—See "Overlay Frame—Rear View."

Hardware (Optional)

PARTS SUPPLIED:

- Flat-head screws (8)
- Overlay plates (2)
- Round-head screws (8)
- Overlay hooks (4)

Custom Overlay Frame

If you plan to install a custom overlay frame, you will need to create the frame yourself or consult a qualified cabinetmaker or carpenter. See dimension drawings for frame specifications.

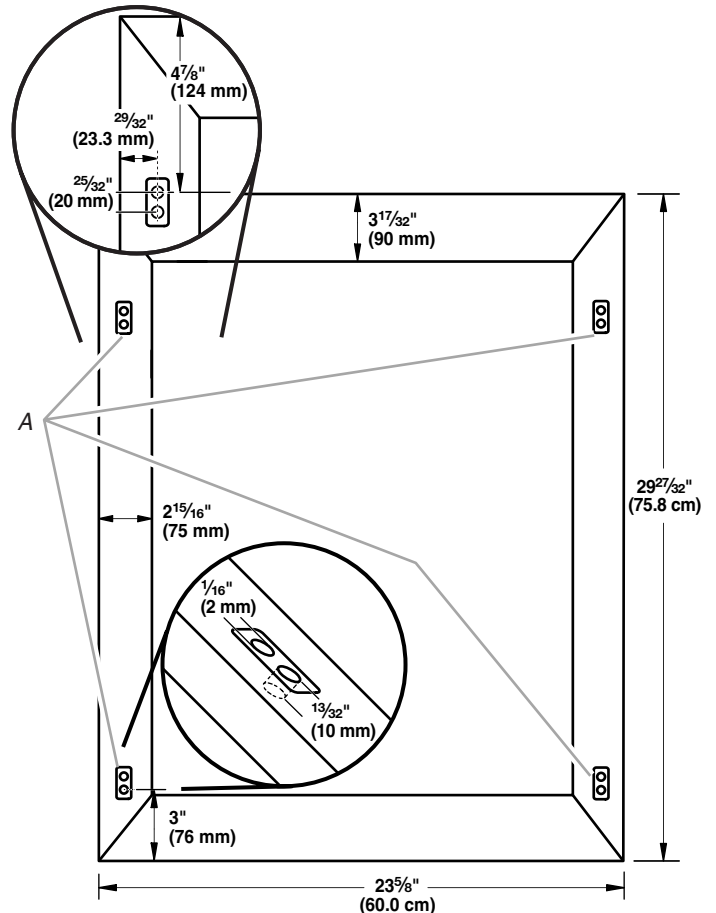
IMPORTANT:

- The thickness of the overlay frame must be $\frac{3}{4}$ " (19 mm).
- The overlay frame must not weigh more than 10 lbs (4.54 kg). Overlay frames weighing more than recommended may cause damage to your appliance.

Overlay Frame Dimensions—Rear View

1. Create a custom overlay frame using the dimensions shown.
2. Rout four depressions into the overlay frame, where indicated, to attach the overlay hooks.

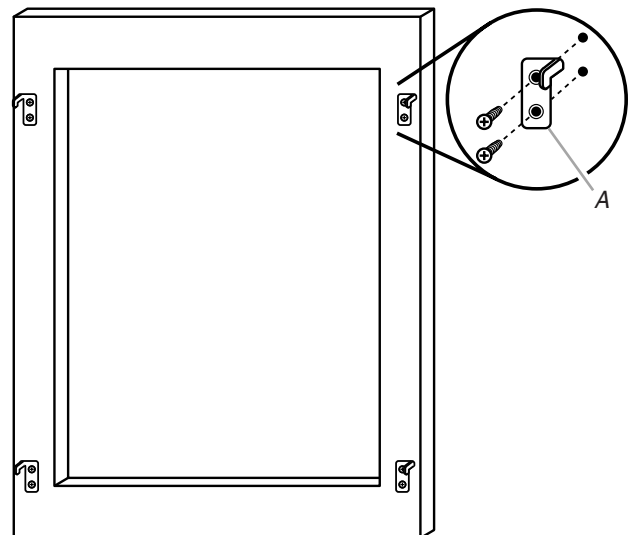
NOTE: To inlay the overlay hooks into the panel, it is recommended that you use a rotary tool to rout the surface where the overlay hooks will be placed.



A. Overlay hook locations

Install Overlay Hooks

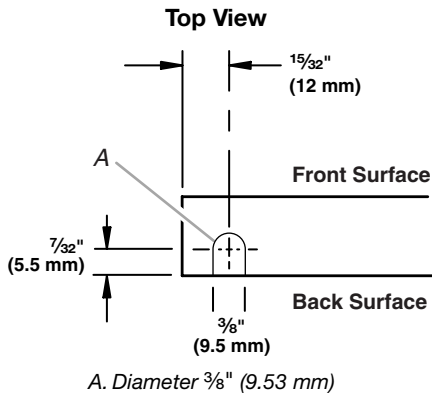
Using a Phillips screwdriver and eight flat-head screws, attach the overlay hooks to the back of the overlay frame. See "Overlay Frame—Rear View" for overlay hook locations.



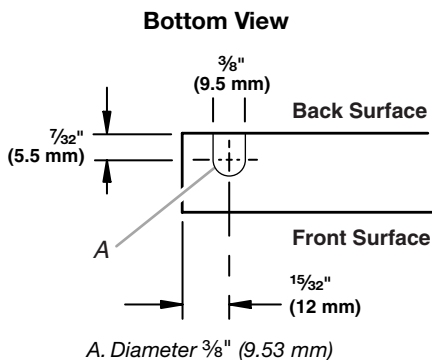
A. Overlay hooks (4)

Door Hinge Holes

- The views of the top and bottom hinge pin hole show a right-hand hinge. Mirror the image for a left-hand hinge.
 - We recommend using a C-clamp and two pieces of scrap wood (front and back) to help reinforce the overlay frame when drilling the hinge pin holes.
1. Using a $\frac{3}{8}$ " Brad point doweling drill bit, drill a hole, $\frac{9}{32}$ " (7.1 mm) deep, into the top of the overlay panel for the top hinge pin. Remove the excess wood, surrounding the hole, by using the rotary tool to complete the hinge depression as shown.



2. Using a $\frac{3}{8}$ " Brad point doweling drill bit, drill a hole, $\frac{9}{32}$ " (7.1 mm) deep, in the bottom of the overlay frame for the bottom hinge pin. Remove the excess wood, surrounding the hole, by using the rotary tool to complete the hinge depression as shown.



Location Requirements

⚠ WARNING



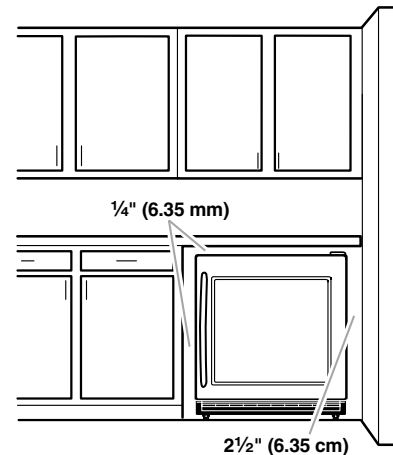
Explosion Hazard

Keep flammable materials and vapors, such as gasoline, away from wine cellar.

Failure to do so can result in death, explosion, or fire.

To ensure proper ventilation for your wine cellar, allow for a $\frac{1}{4}$ " (6.35 mm) space on each side and at the top. When installing your wine cellar next to a fixed wall, leave $2\frac{1}{2}$ " (6.35 cm) minimum clearance on the hinge side to allow for the door to swing open.

NOTE: It is recommended that you do not install the wine cellar near an oven, radiator, or other heat source. Do not install in a location where the temperature will fall below 55°F (13°C). For best performance, do not install the wine cellar behind a cabinet door or block the base grille.



Electrical Requirements

⚠ WARNING



Electrical Shock Hazard

Plug into a grounded 3 prong outlet.

Do not remove ground prong.

Do not use an adapter.

Do not use an extension cord.

Failure to follow these instructions can result in death, fire, or electrical shock.

Before you move your wine cellar into its final location, it is important to make sure you have the proper electrical connection.

Recommended grounding method

A 115 Volt, 60 Hz., AC only, 15- or 20-amp fused, grounded electrical supply is required. It is recommended that a separate circuit serving only your wine cellar be provided. Use an outlet that cannot be turned off by a switch. Do not use an extension cord.

NOTE: Before performing any type of installation, cleaning, or removing a light bulb, unplug wine cellar or disconnect power.

Unpack the Wine Cellar

⚠ WARNING

Excessive Weight Hazard

**Use two or more people to move and install wine cellar.
Failure to do so can result in back or other injury.**

Remove the Packaging

- Remove tape and glue residue from surfaces before turning on the wine cellar. Rub a small amount of liquid dish soap over the adhesive with your fingers. Wipe with warm water and dry.
- Do not use sharp instruments, rubbing alcohol, flammable fluids, or abrasive cleaners to remove tape or glue. These products can damage the surface of your wine cellar. For more information, see "Wine Cellar Safety."
- Dispose of/recycle all packaging materials.

When Moving Your Wine Cellar:

Your wine cellar is heavy. When moving the wine cellar for cleaning or service, be sure to cover the floor with cardboard or hardboard to avoid floor damage. Always pull the wine cellar straight out when moving it. Do not wiggle or "walk" the wine cellar when trying to move it, as floor damage could occur.

Clean Before Using

After you remove all of the packaging materials, clean the inside of your wine cellar before using it. See the cleaning instructions in "Wine Cellar Care."

Install Custom Overlay Frame

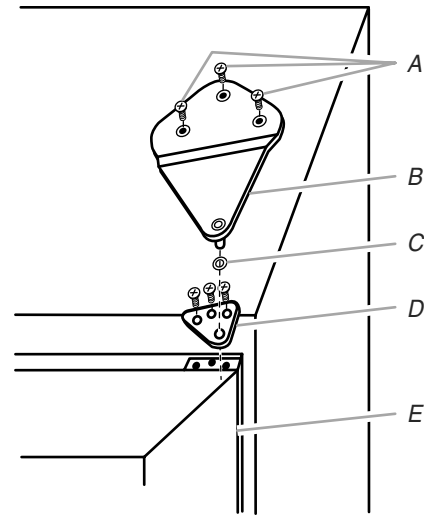
IMPORTANT:

- Create custom overlay frame according to the specifications in the "Custom Overlay Frame" section.
- KitchenAid is not responsible for the removal or addition of molding or decorative panels that would not allow access to the appliance for service.

Remove the Door

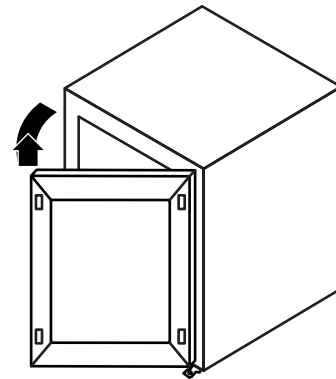
IMPORTANT: Do not remove the grease from the washer, top spacer or top hinge pin. Be sure to set aside the top hinge, top spacer and washer for later use.

1. Using a Phillips screwdriver, remove the three screws from the top hinge. Remove the top hinge.



A. Screws (3) D. Top spacer
B. Top hinge E. Door
C. Washer

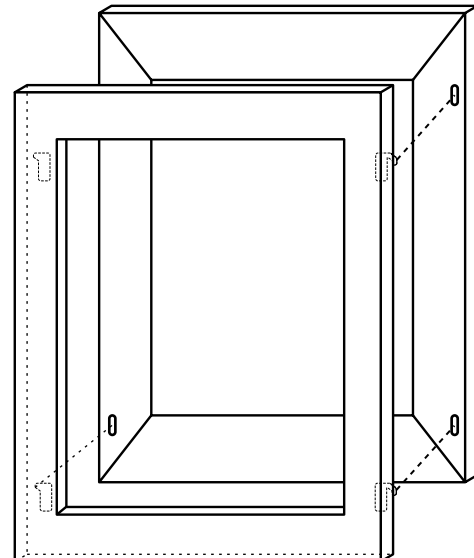
2. Remove the three screws from the top spacer. Remove the top spacer and washer.
3. Open the door. Lift the front of the door up, pulling straight out to remove as shown.



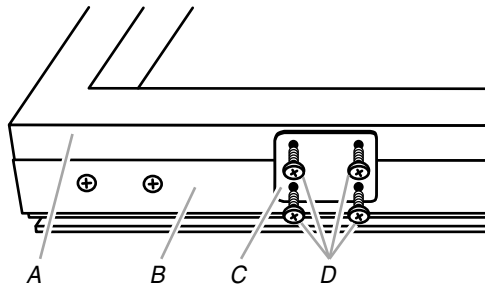
Attach the Overlay Frame

NOTE: If the overlay hooks are not installed, see "Custom Overlay Frame" for overlay hook locations.

1. Position the overlay frame $\frac{1}{2}$ " (1.27 cm) higher than the door. Be sure to position the overlay hooks to the pilot holes.

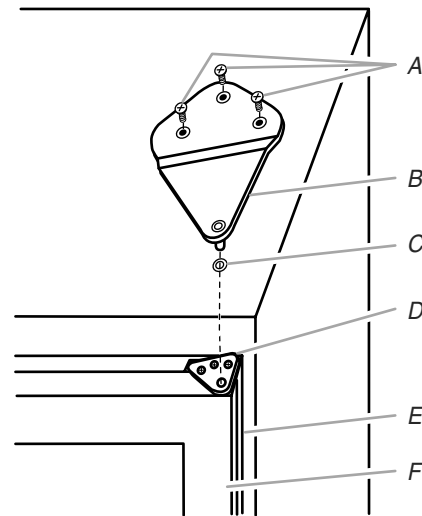


- Insert the overlay hooks into the top of the holes in the door. Push against the overlay frame to force the overlay hooks deeper into the door. Pull the overlay frame straight down to secure the overlay hooks to the door.
- Using a Phillips screwdriver, attach the overlay plates to the bottom of the overlay frame and door as shown.



A. Overlay frame
 B. Door
 C. Overlay plates (2)
 D. Round-head screws (8)

- Using a Phillips screwdriver and three screws, attach the top hinge to the cabinet as shown.



A. Screws (3)
 B. Top hinge
 C. Washer
 D. Top spacer
 E. Door
 F. Overlay frame

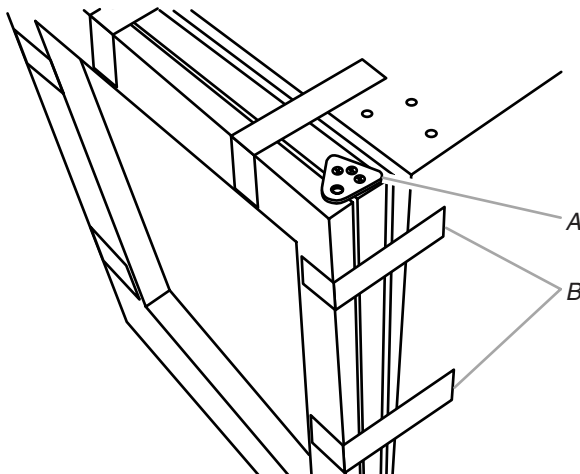
Install the Door

IMPORTANT: To ensure proper operation, be sure to grease the top hinge, top spacer and washer with petroleum jelly.

- Using a Phillips screwdriver and three screws, attach the top spacer to the door.
- Using petroleum jelly, grease the bottom spacer hole and the bottom hinge pin. Align the washer with the bottom spacer hole.
- Slowly lower the door straight and evenly onto the bottom hinge pin. Be sure the washer stays in place. Close the door. Be sure the door properly aligns to the cabinet.

NOTE: Provide additional support for the door when moving the hinges. Do not depend on the door magnets to hold the door in place while you are working.

- Using masking tape, secure the door to the cabinet before installing the top spacer as shown.



A. Top spacer
 B. Masking tape

- Place the washer on the top spacer and align the holes. Grease the top hinge pin, top spacer and washer with petroleum jelly. Insert the top hinge pin into the washer and top spacer.

- Remove the masking tape from the door.

Door Closing

Door Closing

Your wine cellar has four leveling legs. If your wine cellar seems unsteady or you want the door to close more easily, adjust the wine cellar's tilt using the instructions below.

⚠ WARNING



Electrical Shock Hazard

Plug into a grounded 3 prong outlet.

Do not remove ground prong.

Do not use an adapter.

Do not use an extension cord.

Failure to follow these instructions can result in death, fire, or electrical shock.

- Plug into a grounded 3 prong outlet.

⚠ WARNING

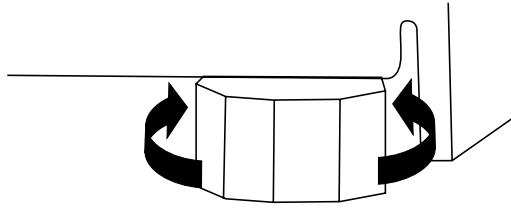
Excessive Weight Hazard

Use two or more people to move and install wine cellar.

Failure to do so can result in back or other injury.

- Move the wine cellar into its final location.
- Turn the leveling legs to the right to lower the wine cellar or turn the leveling legs to the left to raise it. It may take several turns of the leveling legs to adjust the tilt of the wine cellar.

NOTE: Having someone push against the top of the wine cellar takes some weight off the leveling legs. This makes it easier to adjust the leveling legs.

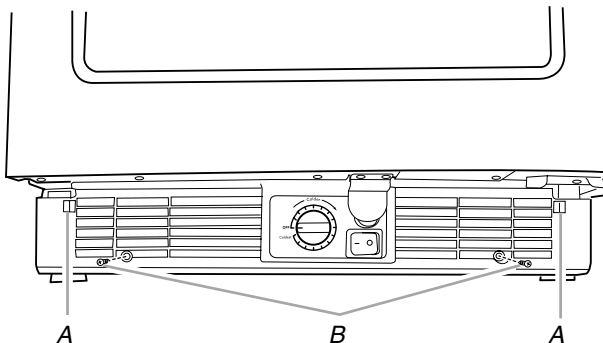


- Open the door and check to make sure that it closes as easily as you like. If not, tilt the wine cellar slightly more to the rear by turning both front leveling screws to the right. It may take several more turns, and you should turn both leveling legs the same amount.

Base Grille

Remove the Base Grille

- Open the wine cellar door.
- Using a Phillips screwdriver, remove the two screws. Push both tabs in toward the center to release the base grille from the wine cellar.



A. Tabs
B. Screws

- Remove the base grille.

Replace the Base Grille

- Open the wine cellar door.
- Position the base grille so that both tabs align and the base grille snaps into place. Replace the two screws. Tighten the screws.

WINE CELLAR USE

Normal Sounds

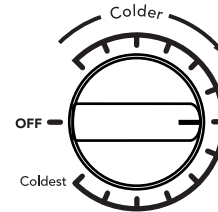
Your new wine cellar may make sounds that your old one didn't make. Because the sounds are new to you, you might be concerned about them. Most of the new sounds are normal. Hard surfaces, such as the flooring and surrounding structures, can make the sounds seem louder. The following describes the kinds of sounds and what may be making them.

- Your wine cellar is designed to run more efficiently to keep your wine at the desired temperatures and to minimize energy usage. The high efficiency compressor and fans may cause your wine cellar to run longer than your old one. You may also hear a pulsating or high-pitched sound from the compressor or fans adjusting to optimize performance.
- Rattling noises may come from the flow of refrigerant or items stored inside the wine cellar.

- As each cycle ends, you may hear a gurgling sound due to the refrigerant flowing in your wine cellar.
- You may hear water running into the drain pan when the wine cellar is defrosting.
- You may hear clicking sounds when the wine cellar starts or stops running.

Using the Control

For your convenience, your wine cellar control is preset at the factory. When you first install your wine cellar, make sure that the control is still preset to the mid-setting as shown.



Adjusting Controls

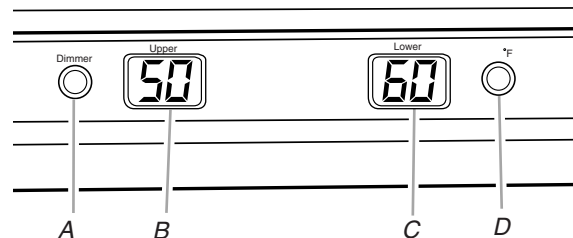
The mid-setting indicated in the previous section should be correct for normal usage. The control is set correctly when beverages are as cold as you like.

If you need to adjust the temperature, wait at least 24 hours between adjustments and then recheck the temperature.

To make the wine cellar colder, adjust the control to the next higher setting. To make the wine cellar less cold, adjust the control to the next lower setting.

Temperature Separator (Temperature Display)

The temperature separator displays the current temperatures (Fahrenheit or Celsius) for the upper and lower zones (compartments) of the wine cellar. To adjust the temperature settings, see "Adjusting Controls" earlier in this section.



A. Dimmer
B. Upper zone display
C. Lower zone display
D. Fahrenheit/Celsius

Recommended Zone Storing Locations

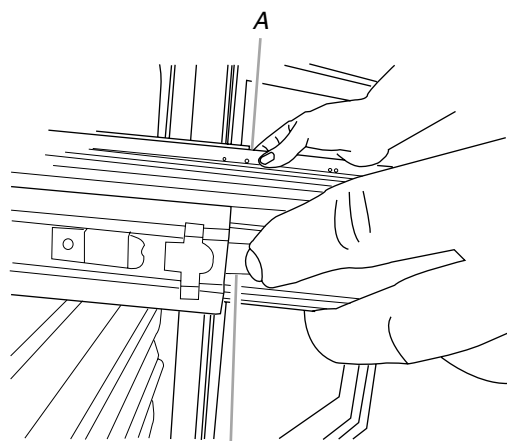
For best storing and serving temperatures for your bottle of wine, use the wine producer's recommended temperature setting. See the wine's label for details. It is recommended to store wine for short-term (few months) at 55°F (13°C).

WINES	ZONES
White Wine	Upper zone
Lighter Red Wine	Lower zone
Red Wine	Lower zone

Wine Racks

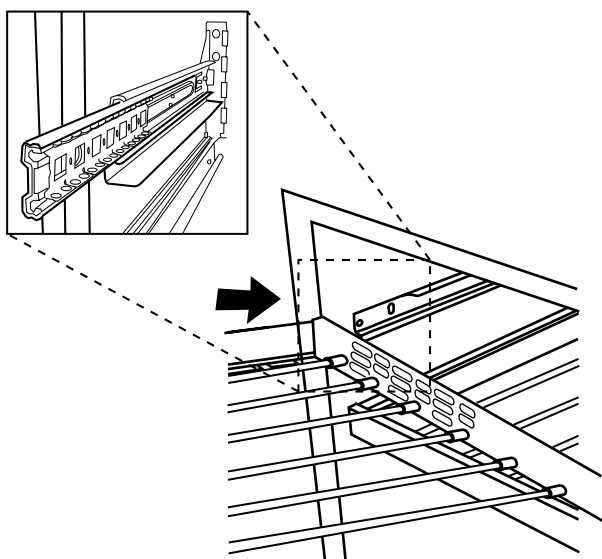
To Remove and Replace the Wine Racks

1. Pull the rack forward until it stops. Push in on the tabs to release the rack. Continue pulling the rack forward and lift it up and out of the rack supports.



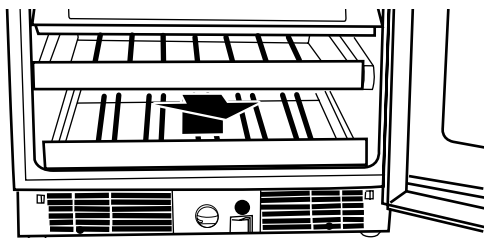
A
A. Tabs

2. Replace the rack by inserting the rack into the supports and sliding it toward the rear of the wine cellar.



To Remove and Replace the Bottom Rack

1. Lift the rack (front and back) up and pull straight out to remove.



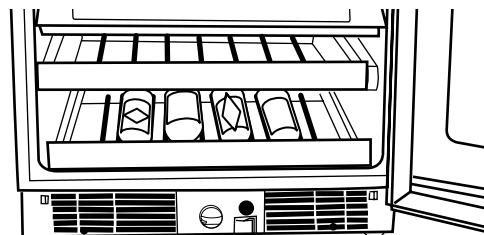
2. Replace the rack by pushing it straight back and over the stop. Continue pushing the rack straight back and evenly until it is in place.

Stocking the Wine Cellar

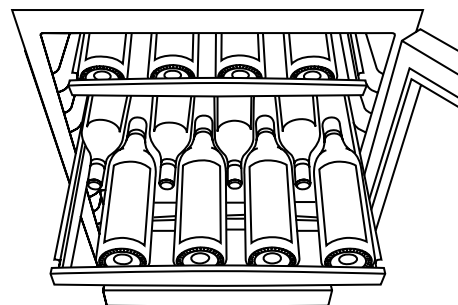
NOTE: For optimum wine storage, place white wines at the top of the wine cellar, light red wines in the center and red wines at the bottom.

To Stock the Wine Cellar

1. Start stocking the wine cellar with the bottom display rack.
2. Starting on the left-hand side, place the first bottle on the bottom of the rack with the neck of the bottle facing the back of the wine cellar.
3. Place the next bottle on its side with the neck of the bottle facing the front of the wine cellar.



4. Alternate in this manner until the display rack is full.
5. Pull the next rack forward.
6. Starting on the left-hand side, place the first bottle on the rack with the neck of the bottle facing forward.
7. Place the next bottle on the shelf with the neck of the bottle facing the rear of the wine cellar.



8. Continue alternating in this manner until the rack is full.
9. Slide the rack into place and continue stocking each remaining rack as described above.

Lighting the Wine Cellar

The wine cellar has an interior light that comes on any time the door is opened. You may also turn the light on at any time by opening the door and pressing the exterior switch located beside the temperature control knob on the base grille.

NOTE: Leaving the light on for an extended period of time will slightly increase the temperature of the wine cellar.

WINE CELLAR CARE

Cleaning

⚠ WARNING



Explosion Hazard

Use nonflammable cleaner.

Failure to do so can result in death, explosion, or fire.

Clean the wine cellar about once a month to avoid buildup of odors. Wipe up spills immediately.

To clean your wine cellar:

1. Unplug wine cellar or disconnect power.
2. Remove all racks from inside the wine cellar.
3. Hand wash, rinse, and dry removable parts and interior surfaces thoroughly. Use a clean sponge or soft cloth and a mild detergent in warm water.
 - To avoid damaging wood trim pieces, do not immerse the entire rack into water when cleaning.
 - Do not use abrasive or harsh cleaners such as window sprays, scouring cleansers, flammable fluids, cleaning waxes, concentrated detergents, bleaches or cleansers containing petroleum products on plastic parts, interior and door liners or gaskets. Do not use paper towels, scouring pads, or other harsh cleaning tools. These can scratch or damage materials.
 - To help remove odors, you can wash interior walls with a mixture of warm water and baking soda (2 tbs to 1 qt [26 g to 0.95 L] of water).
4. Wash stainless steel and painted metal exteriors with a clean sponge or soft cloth and a mild detergent in warm water. Do not use abrasive or harsh cleaners, or cleaners containing chlorine. These can scratch or damage materials. Dry thoroughly with a soft cloth.

NOTE: To keep your stainless steel wine cellar looking like new and to remove minor scuffs or marks, it is suggested that you use the manufacturer's approved Stainless Steel Cleaner and Polish. To order the cleaner, see "Accessories."

IMPORTANT: This cleaner is for stainless steel parts only!

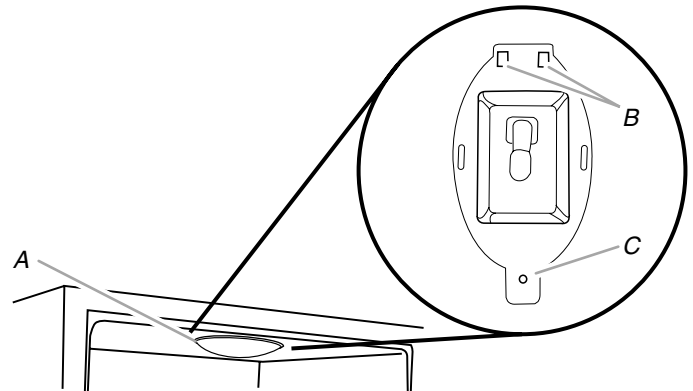
Do not allow the Stainless Steel Cleaner and Polish to come into contact with any plastic parts such as the trim pieces, dispenser covers or door gaskets. If unintentional contact does occur, clean plastic part with a sponge and mild detergent in warm water. Dry thoroughly with a soft cloth.
5. Replace the racks.
6. Clean the condenser coils regularly. They are located behind the base grille. Coils may need to be cleaned as often as every other month. This may help save energy.
 - Remove the base grille. See "Base Grille."
 - Use a vacuum cleaner with an extended attachment to clean the condenser coils when they are dusty or dirty.
 - Replace the base grille.
7. Plug in wine cellar or reconnect power.

Changing the Light Bulb

NOTE: Not all appliance bulbs will fit your wine cellar. Be sure to replace the bulb with one of the same size, shape, and wattage.

To change the light bulb:

1. Unplug wine cellar or disconnect power.
2. Using a Phillips screwdriver, remove the screw located at the back of the light shield. Pull the light shield back to remove the tabs from the appliance. Remove the light shield.



A. Light shield
B. Tabs
C. Screw

3. Replace the bulb.
4. Reinstall the light shield by inserting the tabs. Align the holes and insert the screw. Tighten the screw.
5. Plug in wine cellar or reconnect power.

Vacation and Moving Care

Vacations

If you choose to turn the wine cellar off before you leave, follow these steps.

1. Remove all wine bottles from the wine cellar.
2. Unplug the wine cellar.
3. Clean the wine cellar. See "Cleaning."
4. Tape a rubber or wood block to the top of the door to prop it open far enough for air to get in. This stops odor and mold from building up.

Moving

When you are moving your wine cellar to a new home, follow these steps to prepare it for the move.

1. Remove all wine bottles from the wine cellar.
2. Unplug the wine cellar.
3. Clean, wipe, and dry it thoroughly.
4. Take out all removable parts, wrap them well, and tape them together so they don't shift and rattle during the move.
5. Tape the doors shut and tape the power cord to the wine cellar.

When you get to your new home, put everything back and refer to the "Installation Instructions" section for preparation instructions.

TROUBLESHOOTING

Try the solutions suggested here first in order to avoid the cost of an unnecessary service call.

Your wine cellar will not operate

⚠ WARNING



Electrical Shock Hazard

Plug into a grounded 3 prong outlet.

Do not remove ground prong.

Do not use an adapter.

Do not use an extension cord.

Failure to follow these instructions can result in death, fire, or electrical shock.

- **Is the power supply cord unplugged?** Plug into a grounded 3 prong outlet.
- **Has a household fuse blown, or has a circuit breaker tripped?** Replace the fuse or reset the circuit.
- **Is the Wine Cellar Control turned to the OFF position?** See “Using the Control.”

The lights do not work

- **Is the power supply cord unplugged?** Plug into a grounded 3 prong outlet.
- **Is a light bulb loose in the socket or burned out?** See “Changing the Light Bulb.”

The motor seems to run too much

- **Is the temperature outside hotter than normal?** Expect the motor to run longer under warm conditions. At normal temperatures, expect your motor to run about 40% to 80% of the time. Under warmer conditions, expect it to run even more of the time.
- **Is the door opened often?** Expect the motor to run longer when this occurs. In order to conserve energy, try to get everything you need out of the wine cellar at once, keep wine bottles positioned label side up so that they are easy to find, and close the door as soon as the wine is removed.
- **Is the control set correctly for the surrounding conditions?** See “Using the Control.”
- **Is the door closed completely?** Push the door firmly shut. If it will not shut all the way, see “The door will not close completely” later in this section.
- **Are the condenser coils dirty?** This obstructs air transfer and makes the motor work harder. Clean the condenser coils. See “Cleaning.”

Temperature is too warm

- **Is the door opened often?** Be aware that the wine cellar will warm when this occurs. In order to keep the wine cellar cool, try to get everything you need out of the wine cellar at once, keep wine bottles positioned label side up so that they are easy to find, and close the door as soon as the wine is removed.
- **Is the control set correctly for the surrounding conditions?** See “Using the Control.”
- **Is the base grille blocked?** For best performance, do not install the wine cellar behind a cabinet door or block the base grille.

There is interior moisture buildup

- **Is the door opened often?** To avoid humidity buildup, try to get everything you need out of the wine cellar at once, keep wine bottles positioned label side up so that they are easy to find, and close the door as soon as the wine is removed. When the door is opened, humidity from the room air enters the wine cellar. The more often the door is opened, the faster humidity builds up, especially when the room itself is very humid.
- **Is it humid?** It is normal for moisture to build up inside the wine cellar when the air is humid.
- **Is the control set correctly for the surrounding conditions?** See “Using the Control.”

The door is difficult to open

⚠ WARNING



Explosion Hazard

Use nonflammable cleaner.

Failure to do so can result in death, explosion, or fire.

- **Is the gasket dirty or sticky?** Clean the gasket and the surface that it touches. Rub a thin coat of paraffin wax on the gasket following cleaning.

The door will not close completely

- **Are the racks out of position?** Put the racks back into their correct positions. See “Wine Cellar Use” for more information.



- **Is the gasket sticking?** Clean the gasket and the surface that it touches. Rub a thin coat of paraffin wax on the gasket following cleaning.

ASSISTANCE OR SERVICE

Before calling for assistance or service, please check “Troubleshooting.” It may save you the cost of a service call. If you still need help, follow the instructions below.

When calling, please know the purchase date and the complete model and serial number of your appliance. This information will help us to better respond to your request.

If you need replacement parts

If you need to order replacement parts, we recommend that you only use factory specified replacement parts. Factory specified replacement parts will fit right and work right because they are made with the same precision used to build every new KITCHENAID® appliance.

To locate factory specified replacement parts in your area, call us or your nearest designated service center.

In the U.S.A.

Call the KitchenAid Customer eXperience Center toll free: **1-800-422-1230**.

Our consultants provide assistance with:

- Features and specifications on our full line of appliances.
- Installation information.
- Use and maintenance procedures.
- Accessory and repair parts sales.
- Specialized customer assistance (Spanish speaking, hearing impaired, limited vision, etc.).
- Referrals to local dealers, repair parts distributors, and service companies. KitchenAid designated service technicians are trained to fulfill the product warranty and provide after-warranty service, anywhere in the United States.

To locate the KitchenAid designated service company in your area, you can also look in your telephone directory Yellow Pages.

For further assistance

If you need further assistance, you can write to KitchenAid with any questions or concerns at:

KitchenAid Brand Home Appliances
Customer eXperience Center
553 Benson Road
Benton Harbor, MI 49022-2692

Please include a daytime phone number in your correspondence.

In Canada

Call the KitchenAid Canada Customer eXperience Centre toll free: **1-800-807-6777**.

Our consultants provide assistance with:

- Features and specifications on our full line of appliances.
- Use and maintenance procedures.
- Accessory and repair parts sales.
- Referrals to local dealers, repair parts distributors, and services companies. KitchenAid Canada designated service technicians are trained to fulfill the product warranty and provide after-warranty service, anywhere in Canada.

For further assistance

If you need further assistance, you can write to KitchenAid Canada with any questions or concerns at:

KitchenAid Canada
Customer eXperience Centre
200 – 6750 Century Ave.
Mississauga, Ontario L5N 0B7

Please include a daytime phone number in your correspondence.

Accessories

To order accessories, call **1-800-442-9991** and ask for the appropriate part number listed below or contact your authorized KitchenAid dealer. In Canada, call **1-800-807-6777**.

Stainless Steel Cleaner and Polish

Order Part #4396095

KITCHENAID® REFRIGERATOR WARRANTY

LIMITED WARRANTY

For one year from the date of purchase, when this major appliance is operated and maintained according to instructions attached to or furnished with the product, KitchenAid brand of Whirlpool Corporation or Whirlpool Canada LP (hereafter "KitchenAid") will pay for factory specified parts and repair labor to correct defects in materials or workmanship that existed when this major appliance was purchased. Service must be provided by a KitchenAid designated service company. YOUR SOLE AND EXCLUSIVE REMEDY UNDER THIS LIMITED WARRANTY SHALL BE PRODUCT REPAIR AS PROVIDED HEREIN. This limited warranty is valid only in the United States or Canada and applies only when the major appliance is used in the country in which it was purchased. Proof of original purchase date is required to obtain service under this limited warranty.

SECOND THROUGH FIFTH YEAR LIMITED WARRANTY ON CAVITY LINER AND SEALED REFRIGERATION SYSTEM PARTS

In the second through fifth year from the date of purchase, when this major appliance is operated and maintained according to instructions attached to or furnished with the product, KitchenAid will pay for replacement or repair of the refrigerator/freezer cavity liner (including labor costs) if the part cracks due to defects in materials or workmanship that existed when this major appliance was purchased. Also, in the second through fifth year from the date of purchase, when this major appliance is operated and maintained according to instructions attached to or furnished with the product, KitchenAid will pay for factory specified parts and repair labor for the following components to correct defects in materials or workmanship in the sealed refrigeration system that existed when this major appliance was purchased: compressor, evaporator, condenser, dryer, and connecting tubing.

ITEMS EXCLUDED FROM WARRANTY

This limited warranty does not cover:

1. Replacement parts or repair labor if this major appliance is used for other than normal, single-family household use or when it is used in a manner that is inconsistent to published user or operator instructions and/or installation instructions.
2. Service calls to correct the installation of your major appliance, to instruct you on how to use your major appliance, to replace or repair house fuses, or to correct house wiring or plumbing.
3. Service calls to repair or replace appliance light bulbs, air filters or water filters. Consumable parts are excluded from warranty coverage.
4. Damage resulting from accident, alteration, misuse, abuse, fire, flood, acts of God, improper installation, installation not in accordance with electrical or plumbing codes, or use of products not approved by KitchenAid.
5. Cosmetic damage, including scratches, dents, chips or other damage to the finish of your major appliance, unless such damage results from defects in materials or workmanship and is reported to KitchenAid within 30 days from the date of purchase.
6. Any food or medicine loss due to refrigerator or freezer product failures.
7. Pickup and delivery. This major appliance is intended to be repaired in your home.
8. Repairs to parts or systems resulting from unauthorized modifications made to the appliance.
9. Expenses for travel and transportation for product service if your major appliance is located in a remote area where service by an authorized KitchenAid servicer is not available.
10. The removal and reinstallation of your major appliance if it is installed in an inaccessible location or is not installed in accordance with KitchenAid's published installation instructions.
11. Replacement parts or repair labor on major appliances with original model/serial numbers that have been removed, altered or cannot be easily determined.

DISCLAIMER OF IMPLIED WARRANTIES

IMPLIED WARRANTIES, INCLUDING ANY IMPLIED WARRANTY OF MERCHANTABILITY OR IMPLIED WARRANTY OF FITNESS FOR A PARTICULAR PURPOSE, ARE LIMITED TO ONE YEAR OR THE SHORTEST PERIOD ALLOWED BY LAW. Some states and provinces do not allow limitations on the duration of implied warranties of merchantability or fitness, so this limitation may not apply to you. This warranty gives you specific legal rights, and you also may have other rights that vary from state to state or province to province.

LIMITATION OF REMEDIES; EXCLUSION OF INCIDENTAL AND CONSEQUENTIAL DAMAGES

YOUR SOLE AND EXCLUSIVE REMEDY UNDER THIS LIMITED WARRANTY SHALL BE PRODUCT REPAIR AS PROVIDED HEREIN. KITCHENAID SHALL NOT BE LIABLE FOR INCIDENTAL OR CONSEQUENTIAL DAMAGES. Some states and provinces do not allow the exclusion or limitation of incidental or consequential damages, so these limitations and exclusions may not apply to you. This warranty gives you specific legal rights, and you also may have other rights that vary from state to state or province to province.

If outside the 50 United States and Canada, contact your authorized KitchenAid dealer to determine if another warranty applies.

If you think you need repair service, first see the "Troubleshooting" section of the Use & Care Guide. If you are unable to resolve the problem after checking "Troubleshooting," additional help can be found by checking the "Assistance or Service" section or by calling KitchenAid. In the U.S.A., call **1-800-422-1230**. In Canada, call **1-800-807-6777**.

5/08

Keep this book and your sales slip together for future reference. You must provide proof of purchase or installation date for in-warranty service.

Write down the following information about your major appliance to better help you obtain assistance or service if you ever need it. You will need to know your complete model number and serial number. You can find this information on the model and serial number label located on the product.

Dealer name _____
Address _____
Phone number _____
Model number _____
Serial number _____
Purchase date _____

SEGURIDAD DE LA BODEGA

Su seguridad y la seguridad de los demás es muy importante.

Hemos incluido muchos mensajes importantes de seguridad en este manual y en su electrodoméstico. Lea y obedezca siempre todos los mensajes de seguridad.



Este es el símbolo de advertencia de seguridad.

Este símbolo le llama la atención sobre peligros potenciales que pueden ocasionar la muerte o una lesión a usted y a los demás.

Todos los mensajes de seguridad irán a continuación del símbolo de advertencia de seguridad y de la palabra "PELIGRO" o "ADVERTENCIA". Estas palabras significan:

⚠ PELIGRO

Si no sigue las instrucciones de inmediato, usted puede morir o sufrir una lesión grave.

⚠ ADVERTENCIA

Si no sigue las instrucciones, usted puede morir o sufrir una lesión grave.

Todos los mensajes de seguridad le dirán el peligro potencial, le dirán cómo reducir las posibilidades de sufrir una lesión y lo que puede suceder si no se siguen las instrucciones.

INSTRUCCIONES IMPORTANTES DE SEGURIDAD

ADVERTENCIA: Para reducir el riesgo de incendio, choque eléctrico, o lesiones personales al usar su bodega, siga estas precauciones básicas:

- Conecte a un contacto de pared de conexión a tierra de 3 terminales.
- No quite la terminal de conexión a tierra.
- No use un adaptador.
- No use un cable eléctrico de extensión.
- Desconecte el suministro de energía antes de darle servicio.
- Vuelva a colocar todos los componentes y paneles antes de hacerlo funcionar.
- Remueva las puertas de su bodega vieja.
- Use un limpiador no inflamable.
- Mantenga los materiales y vapores inflamables, tales como gasolina, alejados de la bodega.
- Use dos o más personas para mover e instalar la bodega.

GUARDE ESTAS INSTRUCCIONES

Cómo deshacerse adecuadamente de su bodega vieja

⚠ ADVERTENCIA

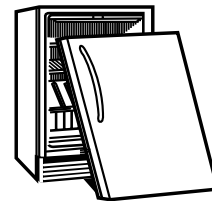
Peligro de Asfixia

Remueva las puertas de su bodega vieja.

No seguir esta instrucción puede ocasionar la muerte o daño al cerebro.

Antes de descartar su vieja bodega:

- Saque la puerta.
- Deje los portabotellas en su lugar así los niños no pueden meterse adentro con facilidad.



IMPORTANTE: El atrapamiento y asfixia de niños no es un problema del pasado. Las bodegas tiradas y abandonadas son un peligro, aún si van a quedar ahí "por unos pocos días". Si Ud. está por deshacerse de su bodega vieja, por favor siga las instrucciones que se dan a continuación para prevenir accidentes.

INSTRUCCIONES DE INSTALACIÓN

Piezas y herramientas

HERRAMIENTAS NECESARIAS:

Reúna las herramientas y piezas necesarias antes de comenzar la instalación.

Lea y siga las instrucciones provistas con cualquiera de las herramientas enlistadas aquí.

- Taladro inalámbrico
- Tijeras
- Broca de barrena con punta para cabillas de $\frac{1}{16}$ " y $\frac{3}{8}$ "
- Cinta adhesiva protectora
- Cinta para medir
- Destornillador Phillips
- Petrolato
- Herramienta rotativa

PIEZAS NECESARIAS:

Marco recubierto a la medida - Vea "Marco recubierto - Vista posterior".

Piezas de ferretería (opcionales)

PIEZAS SUMINISTRADAS:

- Tornillos de cabeza plana (8)
- Placas del revestimiento (2)
- Tornillos de cabeza redonda (8)
- Ganchos del revestimiento (4)

Marco recubierto a la medida

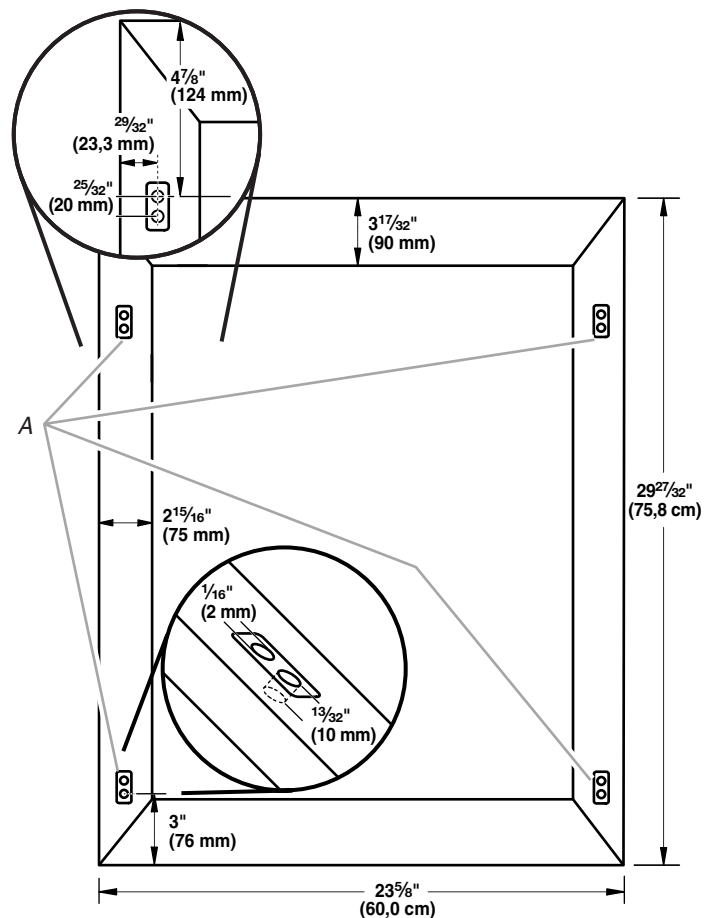
Si va a instalar un marco recubierto a la medida, deberá hacer el marco usted mismo o consultar con un carpintero o fabricante de armarios calificado. Para obtener información acerca de las especificaciones del marco, vea los gráficos dimensionales.

IMPORTANTE:

- El grosor del marco recubierto debe ser de $\frac{3}{4}$ " (19 mm).
- El marco recubierto no debe pesar más de 10 lbs (4,54 kg). Los marcos recubiertos que pesan más de lo recomendado pueden dañar su electrodoméstico.

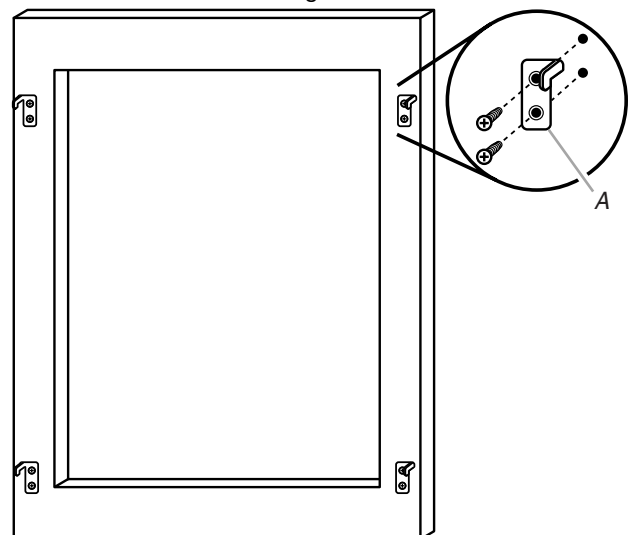
Medidas del marco recubierto - Vista posterior

Cree su marco recubierto a la medida utilizando las medidas que se muestran.



Cómo instalar los ganchos del revestimiento

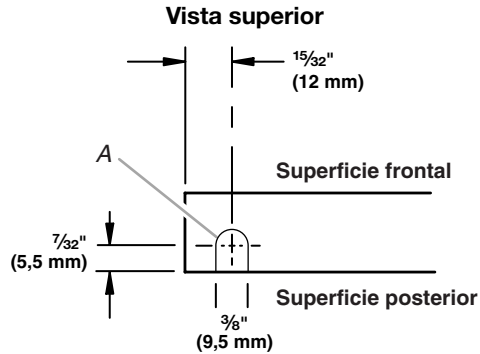
Con un destornillador Phillips y ocho tornillos de cabeza plana ajuste los ganchos del revestimiento a la parte posterior del marco recubierto. Consulte "Marco recubierto - Vista posterior" para ver las ubicaciones de los ganchos del revestimiento.



A. Ganchos del revestimiento (4)

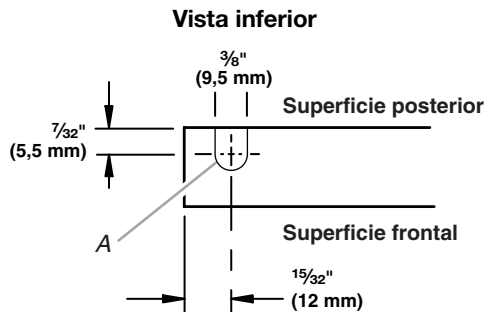
Orificios de la bisagra de la puerta

- Las vistas del orificio de la espiga de la bisagra superior e inferior ilustran una bisagra del lado derecho. Refleje la imagen para una bisagra del lado izquierdo.
 - Recomendamos usar una abrazadera en C y dos piezas de madera de deshecho (adelante y atrás) para ayudar a reforzar el marco recubierto cuando taladre los orificios de la espiga de la bisagra.
- Con una broca de barrena para cabillas de $\frac{3}{8}$ " , taladre un orificio de $\frac{7}{32}$ " (7,1 mm) de profundidad en la parte superior del marco recubierto para la espiga de la bisagra superior, como se muestra.



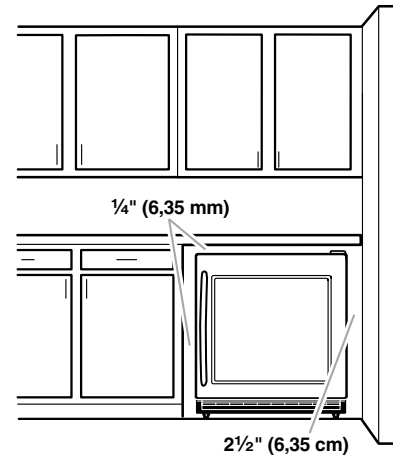
A. $\frac{13}{32}$ " (1,0 cm) de diámetro

- Con una broca de barrena para cabillas de $\frac{3}{8}$ " , taladre un orificio de $\frac{7}{32}$ " (7,1 mm) de profundidad en la parte superior del marco recubierto para la espiga de la bisagra superior, como se muestra.



A. $\frac{13}{32}$ " (1,0 cm) de diámetro

NOTA: No se recomienda instalar la bodega cerca de un horno, radiador u otra fuente de calor. No la instale en un lugar donde la temperatura puede ser menor de 55°F (13°C). Para obtener un óptimo funcionamiento, no instale la bodega detrás de la puerta de un armario ni bloquee la rejilla de la base.



Requisitos eléctricos

⚠ ADVERTENCIA



Peligro de Choque Eléctrico

Conecte a un contacto de pared de conexión a tierra de 3 terminales.

No quite la terminal de conexión a tierra.

No use un adaptador.

No use un cable eléctrico de extensión.

No seguir estas instrucciones puede ocasionar la muerte, incendio o choque eléctrico.

Requisitos de ubicación

⚠ ADVERTENCIA



Peligro de Explosión

Mantenga los materiales y vapores inflamables, tales como gasolina, alejados de la bodega.

No seguir esta instrucción puede ocasionar la muerte, explosión, o incendio.

Para asegurarse la ventilación adecuada de la bodega, deje un espacio de $\frac{1}{4}$ " (6,35 mm) a cada lado y por encima. Si Ud. instala la bodega próxima a una pared fija, deje como mínimo $2\frac{1}{2}$ " (6,35 cm) de espacio del lado de la bisagra para permitir que la puerta abra bien.

Antes de mover la bodega a su ubicación final, es importante asegurarse de que tiene la conexión eléctrica adecuada.

Método de conexión a tierra recomendado

Se requiere una fuente de energía eléctrica de 115 Voltios, 60 Hz., CA solamente y con fusibles de 15 ó 20 amperios, debidamente conectada a tierra. Se recomienda que use un circuito separado sólo para su bodega. Use un tomacorriente que no se pueda apagar con un interruptor. No use un cable eléctrico de extensión.

NOTA: Antes de realizar cualquier tipo de instalación, limpieza o de quitar un foco de luz, desenchufe la bodega o desconecte la fuente de energía.

Desempaque de la bodega

⚠ ADVERTENCIA

Peligro de Peso Excesivo

Use dos o más personas para mover e instalar la bodega.

No seguir esta instrucción puede ocasionar una lesión en la espalda u otro tipo de lesiones.

Cómo quitar los materiales de empaque

- Quite los residuos de cinta y goma de las superficies antes de encender la bodega. Frote un poco de detergente líquido para vajillas sobre el adhesivo con los dedos. Limpie con agua tibia y seque.
- No use instrumentos filosos, alcohol para fricciones, líquidos inflamables o productos de limpieza abrasivos para eliminar los restos de cinta o goma. Estos productos pueden dañar la superficie de su bodega. Para más información, vea "Seguridad de la bodega".
- Deshágase de todos los materiales de embalaje o recíclelos.

Cuando mueva su bodega:

Su bodega es muy pesada. Cuando mueva la bodega para limpiarla o darle servicio, cerciórese de cubrir el piso con cartón o madera para evitar daños en el mismo. Al mover la bodega, siempre tire directamente hacia afuera. No menee la bodega de lado a lado ni la haga "caminar" cuando la trate de mover ya que podría dañar el piso.

Limpieza antes del uso

Una vez que usted haya quitado todos los materiales de empaque, limpie el interior de su bodega antes de usarla. Vea las instrucciones de limpieza en "Cuidado de su bodega".

Cómo instalar el marco recubierto a la medida

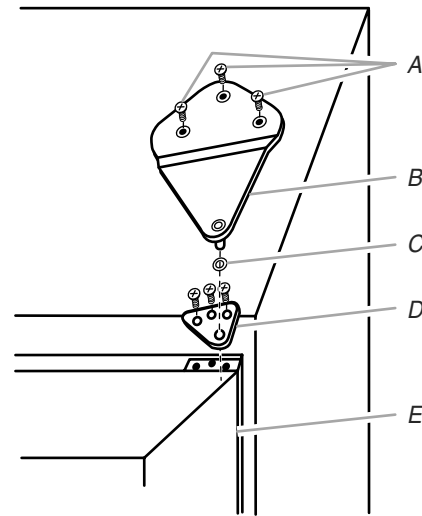
IMPORTANTE:

- Cree un marco recubierto a la medida de acuerdo con las especificaciones en la sección "Marco recubierto a la medida".
- KitchenAid no es responsable de la remoción o adición de marcos o paneles decorativos que pudieran impedir darle servicio al electrodoméstico.

Cómo quitar la puerta

IMPORTANTE: No quite la grasa de la arandela, del espaciador superior o de la espiga de la bisagra superior. Asegúrese de apartar la bisagra superior, el espaciador superior y la arandela para su uso posterior.

1. Quite con un destornillador Phillips los tres tornillos de la bisagra superior. Saque la bisagra superior.



A. Tornillos (3)

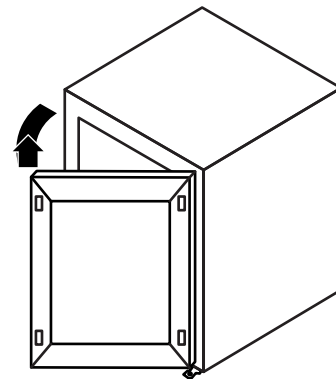
B. Bisagra superior

C. Arandela

D. Espaciador superior

E. Puerta

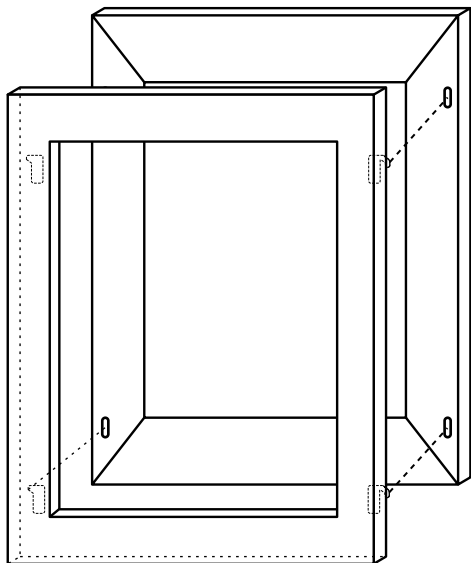
2. Quite los tres tornillos del espaciador superior. Quite el espaciador superior y la arandela.
3. Abra la puerta. Levante la parte frontal de la puerta, jalando directamente hacia fuera para quitarla como se muestra.



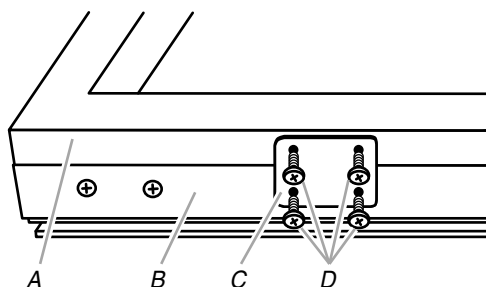
Cómo fijar el marco recubierto

NOTA: Si los ganchos recubiertos no están instalados, consulte "Marco recubierto a la medida" para ver las ubicaciones de los ganchos recubiertos.

1. Ubique el marco recubierto ½" (1,27 cm) por encima de la puerta. Asegúrese de ubicar los ganchos de revestimiento en los orificios piloto.



2. Inserte los ganchos de revestimiento en la parte superior de los orificios de la puerta. Empuje contra el marco recubierto para forzar los ganchos recubiertos aún más dentro la puerta. Jale el marco recubierto directamente hacia abajo para asegurar los ganchos recubiertos en la puerta.
3. Ajuste con un destornillador Phillips las placas recubiertas a la parte inferior del marco recubierto y de la puerta, como se muestra.



A. Marco recubierto
B. Puerta
C. Placas recubiertas (2)
D. Tornillos de cabeza redonda (8)

Cómo instalar la puerta

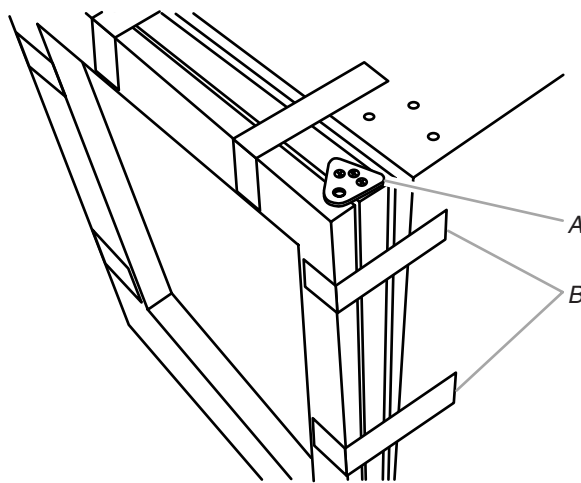
IMPORTANTE: Para asegurar el funcionamiento adecuado, asegúrese de engrasar la bisagra superior, el espaciador superior y la arandela con petrolato.

1. Ajuste el espaciador superior a la puerta con un destornillador Phillips y tres tornillos.
2. Engrase con petrolato el orificio del espaciador inferior y la espiga de la bisagra inferior. Alinee la arandela con el orificio del espaciador inferior.

3. Lentamente baje la puerta en forma derecha y pareja sobre la espiga de la bisagra inferior. Asegúrese de que la arandela se mantenga en su lugar. Cierre la puerta. Asegúrese de que la puerta esté correctamente alineada con la carcasa.

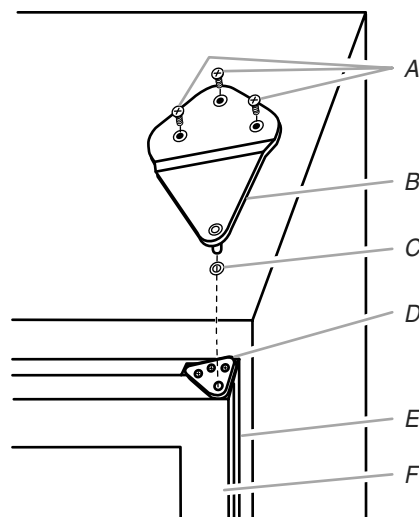
NOTA: Provea un soporte adicional para la puerta cuando mueve las bisagras. No se confíe en que los imanes de la puerta van a sostener la puerta en su lugar mientras trabaja.

4. Asegure la puerta a la carcasa con cinta adhesiva protectora antes de instalar el espaciador superior, como se muestra.



A. Espaciador superior
B. Cinta adhesiva protectora

5. Ubique la arandela en el espaciador superior y alinee los orificios. Engrase la espiga de la bisagra superior, el espaciador superior y la arandela con petrolato. Inserte la espiga de la bisagra superior en la arandela y el espaciador superior.
6. Ajuste la bisagra superior a la carcasa con un destornillador Phillips y tres tornillos, como se muestra.



A. Tornillos (3)
B. Bisagra superior
C. Arandela
D. Espaciador superior
E. Puerta
F. Marco recubierto

7. Quite la cinta adhesiva protectora de la puerta.

Cierre de la puerta

Cierre de la puerta

Su bodega tiene cuatro patas niveladoras. Si su bodega parece inestable o usted quiere que las puertas se cierren con mayor facilidad, ajuste la inclinación de la bodega usando las instrucciones a continuación.

⚠️ ADVERTENCIA



Peligro de Choque Eléctrico

Conecte a un contacto de pared de conexión a tierra de 3 terminales.

No quite la terminal de conexión a tierra.

No use un adaptador.

No use un cable eléctrico de extensión.

No seguir estas instrucciones puede ocasionar la muerte, incendio o choque eléctrico.

1. Conecte a un contacto de pared de conexión a tierra de 3 terminales.

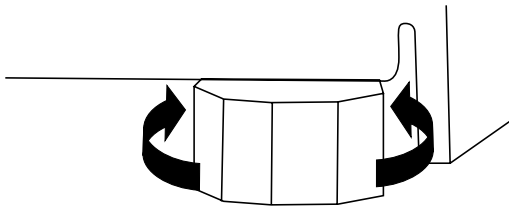
⚠️ ADVERTENCIA

Peligro de Peso Excesivo

Use dos o más personas para mover e instalar la bodega.

No seguir esta instrucción puede ocasionar una lesión en la espalda u otro tipo de lesiones.

2. Mueva la bodega hacia su posición final.
3. Gire las patas niveladoras hacia la derecha para bajar la bodega o gírelas hacia la izquierda para levantarla. Puede precisar darle varias vueltas a las patas niveladoras para ajustar la inclinación de la bodega.
NOTA: Para quitar un poco de peso de las patas niveladoras, haga que alguien empuje la parte superior de la bodega. Esto facilita el ajuste de las patas niveladoras.

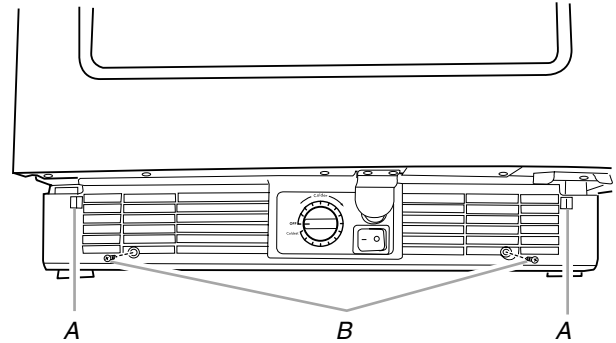


4. Abra la puerta y verifique para asegurarse que se cierra con la facilidad que usted desea. Si no es así, gire ambos tornillos niveladores delanteros hacia la derecha para inclinar levemente la bodega más hacia atrás. Puede tomar varias vueltas más, y usted deberá girar ambas patas niveladoras la misma cantidad de veces.

Rejilla de la base

Quite la rejilla de la base

1. Abra la puerta de la bodega.
2. Saque los dos tornillos con un destornillador Phillips. Empuje ambas lengüetas hacia el centro para liberar la rejilla de la base de la bodega.



A. Lengüetas
B. Tornillos

3. Quite la rejilla de la base.

Vuelva a colocar la rejilla de la base

1. Abra la puerta de la bodega.
2. Coloque la rejilla de la base de manera que ambas lengüetas estén alineadas y la rejilla de la base encaje en su lugar. Vuelva a colocar los dos tornillos. Apriete los tornillos.

USO DE LA BODEGA

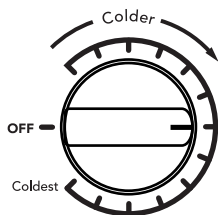
Sonidos normales

Su nueva bodega puede hacer ruidos que su vieja bodega no hacía. Como estos sonidos son nuevos para Ud., puede ser que se preocupe. La mayoría de los sonidos nuevos son normales. Las superficies duras tales como el piso y las estructuras circundantes pueden hacer que los sonidos parezcan más fuertes. A continuación se describen los tipos de sonidos y qué puede causarlos.

- Su bodega está diseñada para funcionar con más eficiencia para conservar el vino a la temperatura deseada y para reducir al mínimo el uso de energía. El compresor y los ventiladores de alta eficiencia pueden causar que su nueva bodega funcione por períodos de tiempo más largos que su bodega vieja. También puede escuchar un sonido pulsante o agudo del compresor o los ventiladores que se ajustan para un funcionamiento óptimo.
- Las vibraciones pueden producirse por el flujo de líquido refrigerante o artículos guardados dentro de la bodega.
- Al final de cada ciclo, Ud. puede escuchar un gorgoteo debido al flujo de líquido refrigerante en su bodega.
- Ud. puede escuchar agua corriendo hacia la bandeja recolectora cuando la bodega se está descongelando.
- Es posible que escuche sonidos de chasquido cuando la bodega comienza o deja de funcionar.

Uso del control

Para su comodidad, el control de su bodega ha sido prefijado de fábrica. Al instalar su bodega por primera vez, cerciórese de que el control aún esté prefijado en el ajuste medio, como se ilustra.



Cómo ajustar los controles

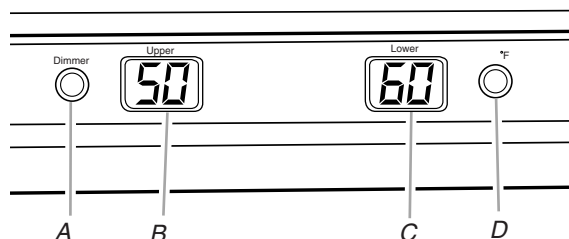
El ajuste medio indicado en la sección previa debe estar correcto para el uso normal. El control está fijado correctamente cuando las bebidas están tan frías como a usted le gusta.

Si necesita ajustar la temperatura, espere por lo menos 24 horas entre un ajuste y otro, y después vuelva a verificar la temperatura.

Para hacer que la bodega esté más fría, coloque el control en el siguiente ajuste más alto. Para hacer que la bodega esté menos fría, coloque el control en el siguiente ajuste más bajo.

Separador de temperatura (Pantalla de temperatura)

El separador de temperatura muestra las temperaturas actuales (en Fahrenheit o centígrados) para las zonas (compartimientos) superior e inferior de la bodega. Para regular los ajustes de temperatura, vea "Cómo ajustar los controles" anteriormente en esta sección.



- A. Reductor de luz
- B. Pantalla de la zona superior
- C. Pantalla de la zona inferior
- D. Fahrenheit/centígrados

Ubicaciones recomendadas para el almacenaje en zonas

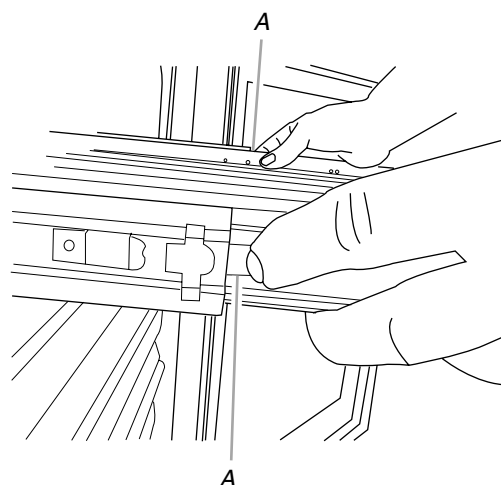
Para que la botella de vino tenga las mejores temperaturas de almacenamiento y para servir, use el ajuste de temperatura recomendado por el vitivinicultor. Vea la etiqueta del vino para obtener detalles. Se recomienda almacenar el vino a corto plazo (unos meses) a 55°F (13°C).

VINOS	ZONAS
Vino blanco	Zona superior
Vino rosado	Zona inferior
Vino tinto	Zona inferior

Portabotellas

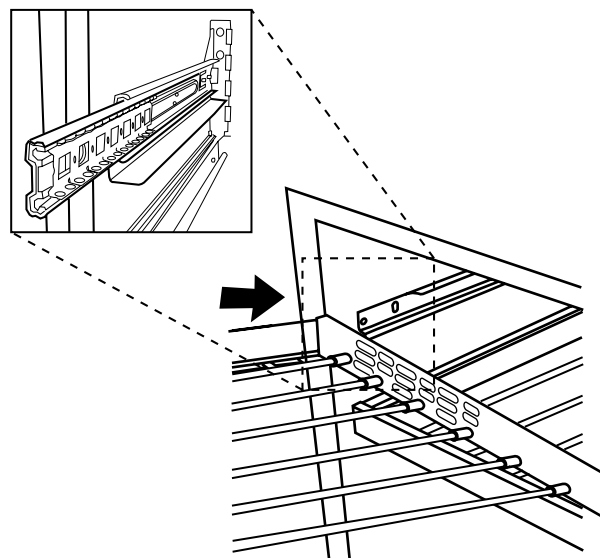
Para quitar y volver a colocar los portabotellas

1. Jale el portabotellas hacia adelante hasta que se detenga. Presione hacia dentro las lengüetas para liberar el portabotellas. Continúe jalando el portabotellas hacia adelante y levántelo fuera de los soportes del mismo.



A. Lengüetas

2. Vuelva a colocar el portabotellas insertándolo en los soportes y deslizándolo hacia la parte posterior de la bodega.



Para quitar y volver a colocar el portabotellas inferior

1. Levante el portabotellas (por la parte frontal y trasera) y jálalo derecho hacia afuera para quitarlo.



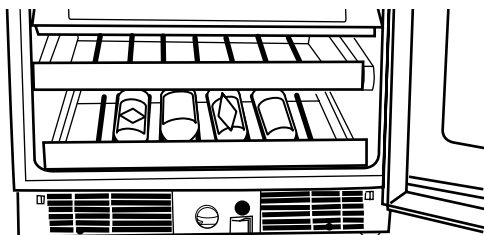
2. Vuelva a colocar el portabotellas empujando derecho hacia atrás, pasando el tope. Continúe empujando el portabotellas derecho hacia atrás y uniformemente hasta que quede en su lugar.

Cómo almacenar en la bodega

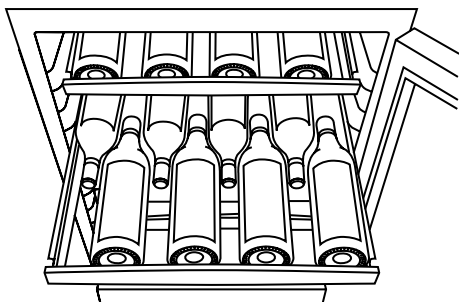
NOTA: Para un óptimo almacenamiento de vinos, coloque los vinos blancos en la parte superior de la bodega, los vinos rosados en el centro y los vinos tintos abajo.

Al almacenar en la bodega

1. Al almacenar, comience por el portabotellas inferior.
2. Empezando por el lado izquierdo, coloque la primera botella sobre la parte inferior del portabotellas, con el cuello de la botella mirando hacia la parte posterior de la bodega.
3. Coloque la próxima botella al costado, con el cuello de la botella mirando hacia la parte frontal de la bodega.



4. Alterne de esta manera hasta llenar el portabotellas.
5. Jale hacia delante el próximo portabotellas.
6. Empezando por el lado izquierdo, coloque la primera botella sobre el portabotellas, con el cuello de la botella mirando hacia adelante.
7. Coloque la próxima botella sobre el estante, con el cuello de la botella mirando hacia la parte posterior de la bodega.



8. Continúe alternando de esta manera hasta llenar el portabotellas.
9. Deslice el portabotellas hacia su lugar y continúe almacenando cada portabotellas restante como se describe arriba.

Cómo iluminar la bodega

La bodega tiene una luz interior que se enciende cada vez que se abre la puerta. También puede encender la luz en cualquier momento, abriendo la puerta y presionando el interruptor externo que está ubicado al lado de la perilla de control de temperatura, sobre la rejilla de la base.

NOTA: Si se deja la luz encendida por mucho tiempo, aumentará ligeramente la temperatura de la bodega.

CUIDADO DE LA BODEGA

Limpeza

⚠ ADVERTENCIA



Peligro de Explosión

Use un limpiador no inflamable.

No seguir esta instrucción puede ocasionar la muerte, explosión o incendio.

Limpie la bodega más o menos una vez al mes para evitar la acumulación de olores. Limpie los derrames de inmediato.

Cómo limpiar la bodega:

1. Desenchufe la bodega o desconecte el suministro de energía.
2. Retire todos los portabotellas del interior de la bodega.
3. Lave a mano, enjuague y seque todas las partes desmontables y las superficies interiores meticulosamente. Use una esponja limpia o un paño liso y un detergente suave en agua tibia.
 - Para evitar daños en las piezas del adorno de madera, no sumerja todo el portabotellas en agua cuando lo esté limpiando.
 - No use productos de limpieza abrasivos o ásperos, como aerosoles para ventanas, productos de limpieza para pulir, líquidos inflamables, ceras para limpieza, detergentes concentrados, blanqueadores o productos de limpieza que contengan productos de petróleo en las partes de plástico, revestimientos interiores o de la puerta o empaquetaduras. No use toallas de papel, estropajos para fregar u otros utensilios de limpieza ásperos. Estos pueden rayar o dañar los materiales.
 - Para ayudar a eliminar olores, puede lavar las paredes interiores con una mezcla de agua tibia y bicarbonato de sodio (2 cucharadas en un cuarto de galón [26 g en 0,95 L] de agua).
4. Lave las superficies externas pintadas y de acero inoxidable con una esponja limpia o un paño suave y detergente delicado con agua tibia. No use productos de limpieza abrasivos o ásperos o que contengan cloro. Estos pueden rayar o dañar los materiales. Seque meticulosamente con un paño suave.

NOTA: Para mantener como nueva su bodega de acero inoxidable y para quitar marcas o rayaduras pequeñas, se sugiere usar un limpiador de acero inoxidable aprobado por el fabricante. Para pedir el limpiador, vea "Accesorios".

IMPORTANTE: ¡Este limpiador es solamente para partes de acero inoxidable!

No permita que el limpiador de acero inoxidable entre en contacto con ninguna parte de plástico tales como las piezas del marco, las tapas del despachador o las juntas de la puerta. Si se produce contacto no intencional, limpie la pieza de plástico con una esponja y detergente suave en agua tibia. Seque meticulosamente con un paño suave.

5. Vuelva a colocar los portabotellas.

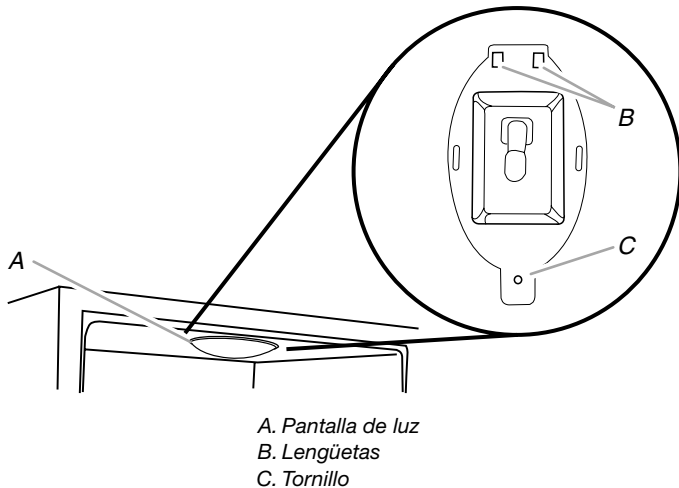
6. Limpie los serpentines del condensador regularmente. Están ubicados detrás de la rejilla de la base. Quizás necesite limpiar los serpentines cada dos meses. Esto puede ayudar a ahorrar energía.
 - Quite la rejilla de la base. Vea “Rejilla de la base”.
 - Use una aspiradora con extensión para limpiar los serpentines del condensador siempre que estén sucios o polvorientos.
 - Vuelva a colocar la rejilla de la base.
7. Enchufe la bodega o reconecte el suministro de energía.

Cómo cambiar el foco

NOTA: No todos los focos para electrodomésticos son adecuados para su bodega. Asegúrese de reemplazar el foco con otro del mismo tamaño, forma y vataje.

Para cambiar el foco:

1. Desenchufe la bodega o desconecte el suministro de energía.
2. Saque el tornillo que está detrás de la pantalla de luz con un destornillador Phillips. Jale hacia atrás la pantalla de luz para quitar las lengüetas del electrodoméstico. Saque la pantalla de luz.



A. Pantalla de luz
B. Lengüetas
C. Tornillo

3. Reemplace el foco.
4. Vuelva a instalar la pantalla de luz insertando las lengüetas. Alinee los orificios e inserte el tornillo. Apriete el tornillo.
5. Enchufe la bodega o reconecte el suministro de energía.

Cuidado durante las vacaciones y mudanzas

Vacaciones

Si Ud. decide apagar la bodega antes de irse, siga estos pasos.

1. Saque todas las botellas de vino de la bodega.
2. Desenchufe la bodega.
3. Limpie la bodega. Vea “Limpieza”.
4. Fije un bloque de goma o de madera con cinta adhesiva a la parte superior de la puerta para que quede abierta y el aire circule. Esto evita que se formen olores y que crezcan hongos.

Mudanza

Si Ud. muda su bodega a una casa nueva, siga los pasos a continuación para prepararse para la mudanza.

1. Saque todas las botellas de vino de la bodega.
2. Desenchufe la bodega.
3. Límpiela, pásele un paño y séquela detalladamente.
4. Saque todas las partes desmontables, envuélvalas bien y asegúrelas con cinta adhesiva para que no se sacudan durante la mudanza.
5. Sostenga las puertas cerradas y el cable pegado a la carcasa de la bodega con cinta adhesiva.

Cuando llegue a la casa nueva, ponga todo de nuevo en su lugar y lea la sección “Instrucciones de instalación” para obtener instrucciones de preparación.

SOLUCIÓN DE PROBLEMAS

Primero pruebe las soluciones sugeridas aquí para evitar el costo innecesario del servicio.

La bodega no funciona

⚠️ ADVERTENCIA



Peligro de Choque Eléctrico

Conecte a un contacto de pared de conexión a tierra de 3 terminales.

No quite la terminal de conexión a tierra.

No use un adaptador.

No use un cable eléctrico de extensión.

No seguir estas instrucciones puede ocasionar la muerte, incendio o choque eléctrico.

- **¿Está desenchufado el cable de suministro de energía?** Conecte a un contacto de pared de conexión a tierra de 3 terminales.
- **¿Hay un fusible de la casa fundido o se disparó el cortacircuitos?** Reemplace el fusible o reposicione el cortacircuitos.
- **¿Se ha colocado el control de la bodega en la posición de apagado (OFF)?** Vea "Uso del control".

Las luces no funcionan

- **¿Está desconectado el cable eléctrico?** Conecte a un contacto de pared de conexión a tierra de 3 terminales.
- **¿Está flojo o quemado un foco?** Vea "Cómo cambiar el foco".

Parece que el motor funciona excesivamente

- **¿Está la temperatura exterior más caliente de lo normal?** En condiciones de calor, el motor funciona por períodos más largos. Cuando la temperatura es normal, el motor funciona entre 40% y 80% del tiempo. Bajo condiciones más calientes, puede funcionar por aún más tiempo.
- **¿Se abre la puerta a menudo?** Cuando esto ocurre, el motor puede funcionar por períodos más largos. Para ahorrar energía, trate de sacar todo lo que necesite de la bodega de una vez, mantenga las botellas de vino con las etiquetas hacia arriba para que sean fáciles de encontrar y cierre la puerta una vez que se haya sacado el vino.
- **¿Se ha ajustado el control correctamente de acuerdo con las condiciones circundantes?** Vea "Uso del control".
- **¿Está completamente cerrada la puerta?** Cierre la puerta con firmeza. Si no se cierra completamente, vea "La puerta no cierra completamente" más adelante en esta sección.
- **¿Están sucios los serpentines del condensador?** Esto obstruye la transferencia de aire y hace que el motor trabaje más. Limpie los serpentines del condensador. Vea "Limpieza".

La temperatura está demasiado alta

- **¿Se abre la puerta a menudo?** Sea consciente de que la bodega se calienta cuando esto ocurre. Para mantener la bodega fría, trate de sacar todo lo que necesite de la bodega de una vez, mantenga las botellas de vino con las etiquetas hacia arriba para que sean fáciles de encontrar y cierre la puerta una vez que se haya sacado el vino.
- **¿Se ha ajustado el control correctamente de acuerdo con las condiciones circundantes?** Vea "Uso del control".
- **¿Está bloqueada la rejilla de la base?** Para obtener un óptimo funcionamiento, no instale la bodega detrás de la puerta de un armario ni bloquee la rejilla de la base.

Hay acumulación de humedad en el interior

- **¿Se abre la puerta a menudo?** Para evitar la acumulación de humedad, trate de sacar todo lo que necesite de la bodega de una vez, mantenga las botellas de vino con las etiquetas hacia arriba para que sean fáciles de encontrar y cierre la puerta una vez que se haya sacado el vino. Cuando la puerta está abierta, la humedad de la habitación entra a la bodega. La humedad se acumula más rápido cuanto más seguido se abre la puerta, especialmente cuando la habitación está muy húmeda.
- **¿Hay humedad?** Es normal que se acumule humedad dentro de la bodega cuando el aire está húmedo.
- **¿Se ha ajustado el control correctamente de acuerdo con las condiciones circundantes?** Vea "Uso del control".

Es difícil abrir la puerta

⚠️ ADVERTENCIA



Peligro de Explosión

Use un limpiador no inflamable.

No seguir esta instrucción puede ocasionar la muerte, explosión o incendio.

- **¿Está la empaquetadura sucia o pegajosa?** Limpie la junta y la superficie que ésta toque. Frote una capa delgada de cera de parafina sobre la junta después de la limpieza.

La puerta no cierra completamente

- **¿Están fuera de posición los portabotellas?** Coloque nuevamente los portabotellas en su posición correcta. Vea "Uso de la bodega" para obtener más información.

- **¿Está la junta pegajosa?** Limpie la junta y la superficie que ésta toque. Frote una capa delgada de cera de parafina sobre la junta después de la limpieza.

ADVERTENCIA



Peligro de Explosión

Use un limpiador no inflamable.

No seguir esta instrucción puede ocasionar la muerte, explosión o incendio.

AYUDA O SERVICIO TÉCNICO

Antes de solicitar ayuda o servicio técnico, por favor consulte la sección "Solución de problemas". Esto le podría ahorrar el costo de una visita de servicio técnico. Si considera que aún necesita ayuda, siga las instrucciones que aparecen a continuación.

Cuando llame, tenga a mano la fecha de compra y el número completo del modelo y de la serie de su electrodoméstico. Esta información nos ayudará a atender mejor a su pedido.

Si necesita piezas de repuesto

Si necesita pedir refacciones, recomendamos que use únicamente piezas de repuesto especificadas de fábrica. Las piezas de repuesto especificadas de fábrica encajarán bien y funcionarán bien ya que están confeccionadas con la misma precisión empleada en la fabricación de cada electrodoméstico nuevo de KITCHENAID®.

Para encontrar piezas de repuesto especificadas de fábrica en su localidad, llámenos o llame al centro de servicio técnico designado más cercano a su localidad.

En los EE.UU.

Llame al centro para la eXperiencia del cliente de KitchenAid sin costo alguno al: **1-800-422-1230**.

Nuestros consultores ofrecen ayuda para:

- Características y especificaciones de nuestra línea completa de electrodomésticos.
- Información sobre la instalación.
- Procedimiento para el uso y mantenimiento.
- Venta de accesorios y partes para reparación.
- Asistencia especializada para el consumidor (habla hispana, problemas de audición, visión limitada, etc.).
- Recomendaciones con distribuidores locales, compañías que dan servicio y distribuidores de partes para reparación. Los técnicos designados por KitchenAid están entrenados para cumplir con la garantía de producto y ofrecer servicio una vez que la garantía termine, en cualquier lugar de los Estados Unidos.

Para localizar a una compañía de servicio designada por KitchenAid en su área, también puede consultar la sección amarilla de su guía telefónica.

Para obtener asistencia adicional

Si necesita asistencia adicional, puede escribir a KitchenAid con sus preguntas o dudas a:

KitchenAid Brand Home Appliances
Customer eXperience Center
553 Benson Road
Benton Harbor, MI 49022-2692

Por favor incluya en su correspondencia un número de teléfono en el que se le pueda localizar durante el día.

En Canadá

Llame al Centro para la eXperiencia del cliente de KitchenAid en Canadá sin costo alguno al: **1-800-807-6777**.

Nuestros consultores ofrecen ayuda para:

- Características y especificaciones de nuestra línea completa de electrodomésticos.
- Procedimiento para el uso y mantenimiento.
- Venta de accesorios y partes para reparación.
- Recomendaciones con distribuidores locales, compañías que dan servicio y distribuidores de partes para reparación. Los técnicos designados por KitchenAid Canada están entrenados para cumplir con la garantía del producto y ofrecer servicio una vez que la garantía termine, en cualquier lugar de Canadá.

Para obtener asistencia adicional

Si necesita asistencia adicional, puede escribir a KitchenAid Canada con sus preguntas o dudas a:

KitchenAid Canada
Customer eXperience Centre
200 - 6750 Century Ave.
Mississauga, Ontario L5N 0B7

Por favor incluya en su correspondencia un número de teléfono en el que se le pueda localizar durante el día.

Accesorios

Para pedir accesorios, llame al **1-800-442-9991** y solicite el número de pieza apropiado que se detalla a continuación o póngase en contacto con su distribuidor autorizado de KitchenAid. En Canadá, llame al **1-800-807-6777**.

Limpiador de acero inoxidable

Pida la pieza No. 4396095

GARANTÍA DEL REFRIGERADOR DE KITCHENAID®

GARANTÍA LIMITADA

Durante un año a partir de la fecha de compra, siempre y cuando se dé a este electrodoméstico principal un uso y mantenimiento de conformidad con las instrucciones adjuntas o provistas con el producto, la marca KitchenAid de Whirlpool Corporation o Whirlpool Canada LP (en lo sucesivo denominada "KitchenAid") se hará cargo del costo de las piezas especificadas de fábrica y del trabajo de reparación para corregir defectos en los materiales o en la mano de obra, existentes en el momento de la compra de este electrodoméstico principal. El servicio deberá ser suministrado por una compañía de servicio designada por KitchenAid. **SU ÚNICO Y EXCLUSIVO RECURSO SEGUN LOS TÉRMINOS DE ESTA GARANTÍA LIMITADA SERÁ EL DE REPARAR EL PRODUCTO SEGUN SE ESTIPULA EN LA PRESENTE.** Esta garantía limitada es válida solamente en Estados Unidos o en Canadá, y se aplica solamente cuando el electrodoméstico principal se use en el país en el que se ha comprado. Se requiere una prueba de la fecha de compra original para obtener servicio bajo esta garantía limitada.

GARANTÍA LIMITADA DEL SEGUNDO AL QUINTO AÑO EN EL REVESTIMIENTO DE LA CAVIDAD Y LAS PIEZAS DEL SISTEMA DE REFRIGERACIÓN SELLADO

Durante el segundo al quinto año desde la fecha de compra, cuando este refrigerador sea operado y mantenido de acuerdo a las instrucciones adjuntas o provistas con el producto, KitchenAid pagará por el reemplazo o la reparación del revestimiento de la cavidad del refrigerador/congelador (incluyendo los costos de mano de obra) si la pieza se rompiera debido a defectos de material o de mano de obra, existentes en el momento de la compra de este electrodoméstico principal. Además, del segundo al quinto año de la fecha de compra, siempre y cuando se dé a este electrodoméstico principal un uso y mantenimiento de conformidad con las instrucciones adjuntas o provistas con el producto, KitchenAid pagará por las piezas especificadas de fábrica y mano de obra para los componentes a continuación, para corregir defectos en los materiales o en la mano de obra en el sistema de refrigeración sellado, existentes en el momento de la compra de este electrodoméstico principal: compresor, evaporador, condensador, secador y los tubos conectores.

EXCLUSIONES DE LA GARANTÍA

Esta garantía limitada no cubre:

1. Piezas de repuesto o mano de obra si este electrodoméstico principal se usa de un modo diferente al doméstico normal de una familia, o cuando se use de un modo contrario a las instrucciones publicadas para el usuario u operador y/o las instrucciones de instalación.
 2. Visitas de servicio técnico para corregir la instalación de su electrodoméstico principal, para enseñarle a usar su electrodoméstico principal, para cambiar o reparar fusibles domésticos o para corregir la instalación eléctrica o de la tubería de la casa.
 3. Visitas de servicio técnico para reparar o reemplazar focos para electrodomésticos, filtros de aire o filtros de agua. Las piezas de consumo están excluidas de la cobertura de la garantía.
 4. Daños causados por accidente, alteración, uso indebido, abuso, incendio, inundación, actos fortuitos, instalación incorrecta, instalación que no esté de acuerdo con los códigos eléctricos o de plomería, o el empleo de productos no aprobados por KitchenAid.
 5. Daños estéticos, incluyendo rayaduras, abolladuras, desportilladuras u otro daño al acabado de su electrodoméstico principal, a menos que el mismo sea debido a defectos en los materiales o la mano de obra y se le informe a KitchenAid en un lapso de 30 días a partir de la fecha de compra.
 6. Cualquier pérdida de comida o medicamentos debido a fallas del refrigerador o del congelador.
 7. Recogida y entrega. Este electrodoméstico principal se ha destinado para ser reparado en el hogar.
 8. Reparaciones de piezas o sistemas como resultado de modificaciones no autorizadas que se hayan efectuado en el electrodoméstico.
 9. Gastos de viaje y transporte para obtener servicio para el producto, si su electrodoméstico principal está ubicado en un lugar remoto en el cual no haya disponible un técnico de servicio autorizado por KitchenAid.
 10. La remoción y reinstalación de su electrodoméstico principal, si estuviera instalado en un lugar inaccesible o si no estuviera instalado de conformidad con las instrucciones de instalación publicadas por KitchenAid.
 11. Piezas de repuesto o mano de obra en electrodomésticos principales con números de modelo/serie originales que se hayan removido, alterado o que no puedan ser identificados con facilidad.
-

EXCLUSIÓN DE GARANTÍAS IMPLÍCITAS

LAS GARANTÍAS IMPLÍCITAS, INCLUYENDO CUALQUIER GARANTÍA IMPLÍCITA DE COMERCIABILIDAD O GARANTÍA IMPLÍCITA DE CAPACIDAD PARA UN PROPÓSITO PARTICULAR, SERÁN LIMITADAS A UN AÑO O AL PERÍODO MÁS CORTO PERMITIDO POR LEY. Algunos estados y provincias no permiten la limitación de la duración de garantías implícitas de comerciabilidad o aptitud, de modo que la limitación arriba indicada quizás no le corresponda. Esta garantía le otorga derechos legales específicos, y es posible que usted tenga también otros derechos que varían de un estado a otro o de una provincia a otra.

LIMITACIÓN DE RECURSOS; EXCLUSIÓN DE DAÑOS INCIDENTALES O CONSECUENTES

SU ÚNICO Y EXCLUSIVO RECURSO SEGUN LOS TÉRMINOS DE ESTA GARANTÍA LIMITADA SERÁ EL DE REPARAR EL PRODUCTO SEGUN SE ESTIPULA EN LA PRESENTE. KITCHENAID NO SE RESPONSABILIZARÁ POR DAÑOS INCIDENTALES O CONSECUENTES. Algunos estados y provincias no permiten la exclusión o limitación de daños incidentales o consecuentes, de modo que estas limitaciones y exclusiones quizás no le correspondan. Esta garantía le otorga derechos legales específicos, y es posible que usted tenga también otros derechos que varían de un estado a otro o de una provincia a otra.

Si usted se encuentra fuera de los cincuenta Estados Unidos y Canadá, póngase en contacto con su distribuidor autorizado de KitchenAid para determinar si corresponde otra garantía.

Si considera que necesita servicio de reparación, consulte primero la sección "Solución de problemas" del Manual de uso y cuidado. Si no ha podido resolver el problema después de consultar la sección "Solución de problemas", puede encontrar ayuda adicional en la sección "Ayuda o servicio técnico", o llamando a KitchenAid. En los EE.UU., llame al **1-800-422-1230**. En Canadá, llame al **1-800-807-6777**.

6/08

Guarde este libro y su comprobante de compra juntos para referencia futura. Usted deberá proporcionar el comprobante de la compra o una fecha de instalación para obtener servicio bajo la garantía.

Escriba la siguiente información acerca de su electrodoméstico principal para ayudarlo mejor a obtener asistencia o servicio técnico si alguna vez llegara a necesitarlo. Deberá tener a mano el número completo del modelo y de la serie. Usted puede encontrar esta información en la etiqueta con el número de modelo y de serie ubicada en el producto.

Nombre del distribuidor _____

Dirección _____

Número de teléfono _____

Número de modelo _____

Número de serie _____

Fecha de compra _____

SÉCURITÉ DE LA CAVE À VIN

Votre sécurité et celle des autres est très importante.

Nous donnons de nombreux messages de sécurité importants dans ce manuel et sur votre appareil ménager. Assurez-vous de toujours lire tous les messages de sécurité et de vous y conformer.



Voici le symbole d'alerte de sécurité.

Ce symbole d'alerte de sécurité vous signale les dangers potentiels de décès et de blessures graves à vous et à d'autres.

Tous les messages de sécurité suivront le symbole d'alerte de sécurité et le mot "DANGER" ou "AVERTISSEMENT". Ces mots signifient :

⚠ DANGER

Risque possible de décès ou de blessure grave si vous ne suivez pas immédiatement les instructions.

⚠ AVERTISSEMENT

Risque possible de décès ou de blessure grave si vous ne suivez pas les instructions.

Tous les messages de sécurité vous diront quel est le danger potentiel et vous disent comment réduire le risque de blessure et ce qui peut se produire en cas de non-respect des instructions.

IMPORTANTES INSTRUCTIONS DE SÉCURITÉ

AVERTISSEMENT : Pour réduire les risques d'incendie, de choc électrique ou des blessures lors de l'utilisation de la cave à vin, prendre quelques précautions fondamentales, y compris les suivantes :

- Brancher l'appareil sur une prise à 3 alvéoles reliée à la terre.
- Ne pas enlever la broche de liaison à la terre.
- Ne pas utiliser un adaptateur.
- Ne pas utiliser un câble de rallonge.
- Débrancher la source de courant électrique avant l'entretien.
- Replacer pièces et panneaux avant de faire la remise en marche.
- Enlever les portes de votre vieille cave à vin.
- Utiliser un produit de nettoyage ininflammable.
- Garder les matériaux et les vapeurs inflammables, telle que l'essence, loin de la cave à vin.
- Utiliser deux ou plus de personnes pour déplacer et installer la cave à vin.

CONSERVEZ CES INSTRUCTIONS

Mise au rebut de votre vieille cave à vin

⚠ AVERTISSEMENT

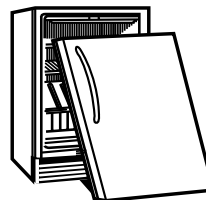
Risque de suffoquer

Enlever la porte de votre vieille cave à vin.

Le non-respect de cette instruction peut causer un décès ou des lésions cérébrales.

Avant de jeter votre vieille cave à vin :

- Enlever la porte.
- Laisser les tablettes en place de sorte que les enfants ne puissent pas y pénétrer facilement.



IMPORTANT : L'emprisonnement et l'étouffement des enfants ne sont pas un problème du passé. Les caves à vin jetées ou abandonnées sont encore dangereuses, même si elles sont laissées abandonnées pendant "quelques jours seulement". Si vous vous débarrassez de votre vieille cave à vin, veuillez suivre les instructions suivantes pour aider à éviter les accidents.

INSTRUCTIONS D'INSTALLATION

Outillage et pièces

OUTILLAGE NÉCESSAIRE :

Rassembler les outils et pièces nécessaires avant de commencer l'installation.

Lire et suivre les instructions fournies avec les outils indiqués ici.

- Perceuse sans fil
- Ciseaux
- Mèche à bois de $\frac{1}{16}$ " and $\frac{3}{8}$ ", à vrille d'amorçage
- Ruban adhésif de masquage
- Tournevis Phillips
- Mètre ruban
- Outil rotatif
- Pétrolatum

PIÈCES NÉCESSAIRES :

Cadre décoratif personnalisé - Voir "Cadre décoratif - vue arrière".
Quincaillerie (facultatif)

PIÈCES FOURNIES :

- Vis à tête plate (8)
- Plaques décoratives (2)
- Vis à tête ronde (8)
- Crochets pour cadre décoratif (4)

Cadre décoratif personnalisé

Pour l'installation d'un cadre décoratif personnalisé, l'installateur devra créer lui-même le cadre ou consulter un ébéniste ou menuisier qualifié. Voir le dessin des dimensions pour les spécifications du cadre.

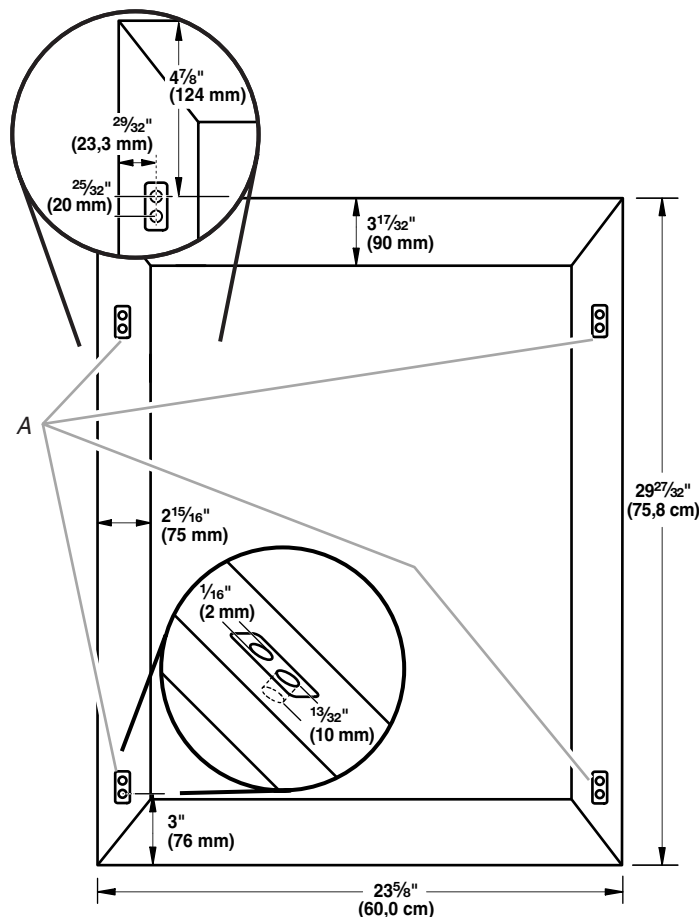
IMPORTANT :

- L'épaisseur du cadre décoratif doit être de $\frac{3}{4}$ " (1,91 cm).
- Le poids du cadre décoratif ne doit pas dépasser 10 lb (4,54 kg).
- Un cadre décoratif de poids supérieur à la limite recommandée risque d'endommager l'appareil.

Cadre décoratif - vue arrière

1. Créer le cadre décoratif personnalisé en fonction des dimensions indiquées.
2. Creuser quatre trous en forme de cuvette dans le cadre du panneau décoratif aux emplacements indiqués pour fixer les crochets du panneau décoratif.

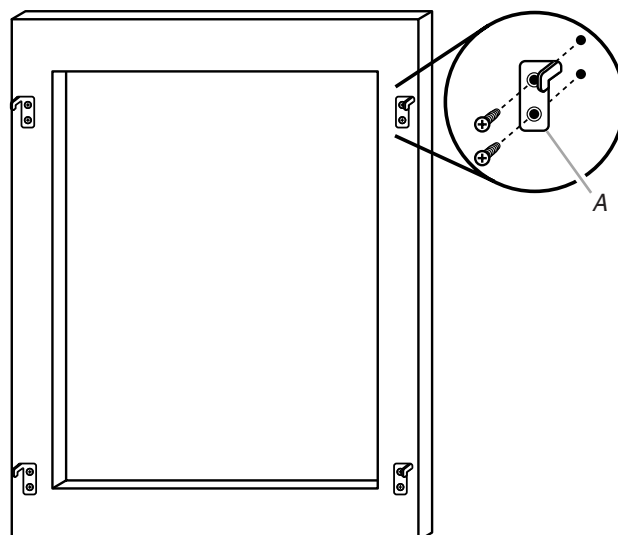
REMARQUE : Pour pouvoir incruster les crochets de panneau décoratif dans le panneau, il est recommandé d'utiliser un outil rotatif pour creuser la surface aux points d'insertion des crochets décoratifs.



A. Emplacement des crochets pour cadre décoratif

Installation des crochets pour cadre décoratif

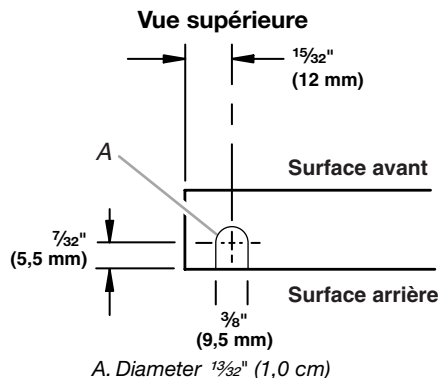
À l'aide d'un tournevis Phillips et de huit vis à tête plate, fixer les crochets à l'arrière du cadre décoratif. Voir "Cadre décoratif - vue arrière", pour l'emplacement des crochets.



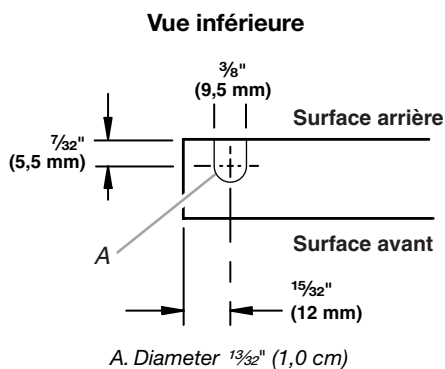
A. Crochets pour cadre décoratif (4)

Trous de charnière de porte

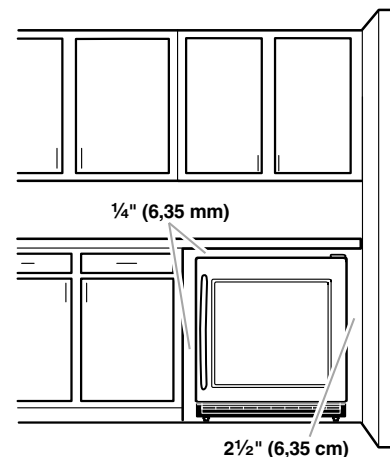
- Les vues du trou (supérieur et inférieur) de l'axe de charnière correspondent à une charnière de côté droit. Considérer l'image inverse dans le cas d'une charnière de côté gauche.
 - On recommande l'utilisation d'un serre-joint et de deux cales de bois (à l'avant et à l'arrière) pour renforcer le cadre décoratif au moment de percer les trous de l'axe de charnière.
1. À l'aide d'une mèche de bois à $\frac{3}{8}$ " à vrille d'amorçage, percer un trou de $\frac{7}{32}$ " (7,1 mm) de profondeur dans la partie supérieure du cadre décoratif pour fixer l'axe de charnière supérieure - voir l'illustration.



2. À l'aide d'une mèche de bois à $\frac{3}{8}$ " à vrille d'amorçage, percer un trou de $\frac{7}{32}$ " (7,1 mm) de profondeur dans la partie supérieure du cadre décoratif pour fixer l'axe de charnière supérieure - voir l'illustration.



REMARQUE : Il est recommandé de ne pas installer la cave à vin près d'un four, d'un radiateur ou de toute autre source de chaleur. Ne pas installer dans un endroit où la température baissera au-dessous de 55°F (13°C). Pour le meilleur rendement, ne pas installer la cave à vin derrière une porte d'armoire ni bloquer la grille de la base.



Spécifications électriques

⚠ AVERTISSEMENT



Risque de choc électrique

Brancher sur une prise à 3 alvéoles reliée à la terre.

Ne pas enlever la broche de liaison à la terre.

Ne pas utiliser un adaptateur.

Ne pas utiliser un câble de rallonge.

Le non-respect de ces instructions peut causer un décès, un incendie ou un choc électrique.

Exigences d'emplacement

⚠ AVERTISSEMENT



Risque d'explosion

Garder les matériaux et les vapeurs inflammables, telle que l'essence, loin de la cave à vin.

Le non-respect de cette instruction peut causer un décès, une explosion ou un incendie.

Pour obtenir une aération appropriée pour votre cave à vin, laissez un espace de $\frac{1}{4}$ " (6,35 mm) de chaque côté et au sommet. En cas d'installation de la cave à vin près d'un mur fixe, laissez un minimum de $2\frac{1}{2}$ " (6,35 cm) du côté de la charnière pour permettre à la porte de s'ouvrir sans obstruction.

Avant de placer la cave à vin à son emplacement final, il est important de vous assurer d'avoir la connexion électrique appropriée.

Méthode recommandée de mise à la terre

Une source d'alimentation de 115 volts, 60 Hz, type 15 ou 20 ampères CA seulement, protégée par fusibles et adéquatement mise à la terre est nécessaire. Il est recommandé d'utiliser un circuit distinct pour alimenter uniquement votre cave à vin. Utiliser une prise murale qui ne peut pas être mise hors circuit à l'aide d'un commutateur. Ne pas utiliser un câble de rallonge.

REMARQUE : Avant d'exécuter tout type d'installation, nettoyage ou remplacement d'une ampoule d'éclairage, débrancher la cave à vin ou déconnecter la source de courant électrique.

Déballage de la cave à vin

AVERTISSEMENT

Risque du poids excessif

Utiliser deux ou plus de personnes pour déplacer et installer la cave à vin.

Le non-respect de cette instruction peut causer une blessure au dos ou d'autre blessure.

Enlèvement des matériaux d'emballage

- Enlever le ruban adhésif et la colle des surfaces de la cave à vin avant de la mettre en marche. Frotter une petite quantité de savon liquide pour la vaisselle sur l'adhésif avec les doigts. Rincer à l'eau tiède et essuyer.
- Ne pas utiliser d'instruments coupants, d'alcool à friction, de liquides inflammables ou de nettoyants abrasifs pour enlever le ruban adhésif ou la colle. Ces produits peuvent endommager la surface de votre cave à vin. Pour plus de renseignements, voir "Sécurité de la cave à vin".
- Jeter ou recycler tous les matériaux d'emballage.

Déplacement de votre cave à vin :

Votre cave à vin est lourde. Lors du déplacement de la cave à vin pour le nettoyage ou le service, veiller à recouvrir le plancher avec du carton ou un panneau de fibre dur pour éviter qu'il ne subisse tout dommage. Toujours tirer la cave à vin tout droit lors du déplacement. Ne pas incliner la cave à vin d'un côté ou de l'autre ni la "faire marcher" en essayant de la déplacer car le plancher pourrait être endommagé.

Nettoyage avant l'utilisation

Après avoir enlevé tous les matériaux d'emballage, nettoyer l'intérieur de la cave à vin avant de l'utiliser. Voir les instructions de nettoyage dans "Entretien de la cave à vin".

Installation du cadre décoratif personnalisé

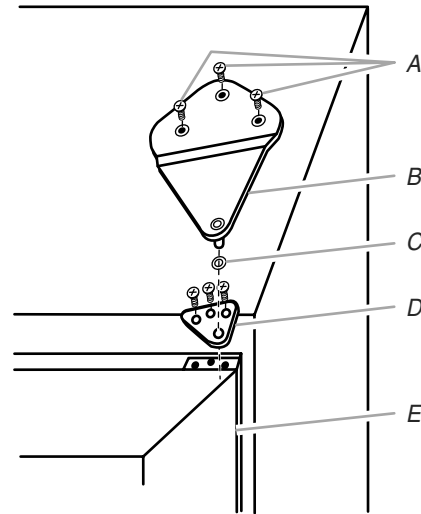
IMPORTANT :

- Réaliser le cadre décoratif personnalisé selon les spécifications de la section "Cadre décoratif personnalisé".
- KitchenAid n'assume aucune responsabilité en ce qui concerne la dépose ou l'ajout de plinthes ou de cadres décoratifs qui entraveraient les interventions de réparation ou d'entretien de l'appareil.

Dépose de la porte

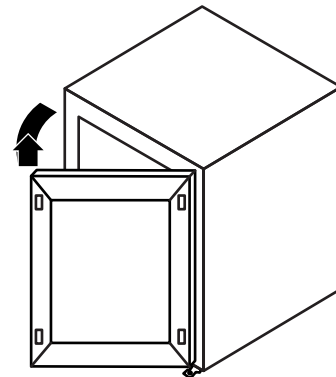
IMPORTANT : Ne pas ôter la graisse de la rondelle, de la cale d'espacement supérieure ou de l'axe de charnière supérieure. Conserver à part la charnière supérieure, la cale d'espacement supérieure et la rondelle pour utilisation ultérieure.

1. À l'aide d'un tournevis Phillips, retirer les trois vis de la charnière supérieure. Ôter la charnière supérieure.



- A. Vis (3)
- B. Charnière supérieure
- C. Rondelle
- D. Cale d'espacement supérieure
- E. Porte

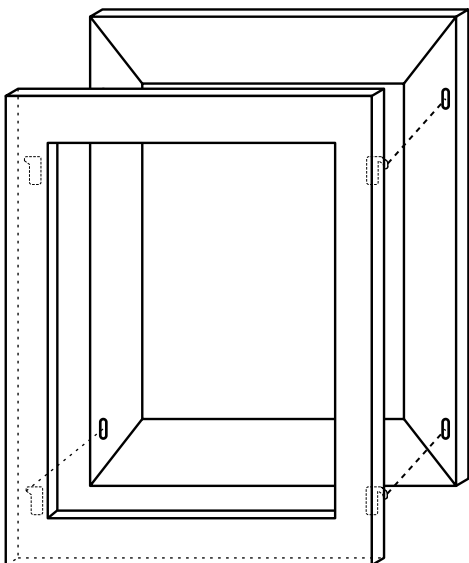
2. Retirer les trois vis de la cale d'espacement supérieure. Ôter la cale d'espacement supérieure et la rondelle.
3. Ouvrir la porte. Soulever l'avant de la porte; tirer tout droit pour la retirer - voir l'illustration.



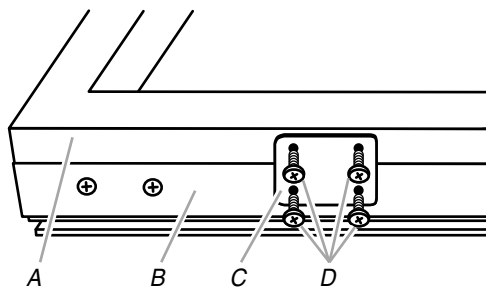
Fixation du cadre décoratif

REMARQUE : Si les crochets pour cadre décoratif ne sont pas installés, voir "Cadre décoratif personnalisé" pour l'emplacement des crochets.

1. Placer le cadre décoratif à 1/2" (1,27 cm) au-dessus de la porte. Veiller à positionner les crochets sur les avant-trous.



2. Insérer les crochets dans la partie supérieure des trous dans la porte. Pousser contre le cadre décoratif pour enfoncer les crochets plus profondément dans la porte. Tirer le cadre décoratif tout droit vers le bas pour immobiliser les crochets dans la porte.
3. À l'aide d'un tournevis Phillips, fixer les plaques décoratives sur la partie inférieure du cadre décoratif et de la porte - voir l'illustration.



A. Cadre décoratif
B. Porte
C. Plaques décoratives (2)
D. Vis à tête ronde (8)

Installation de la porte

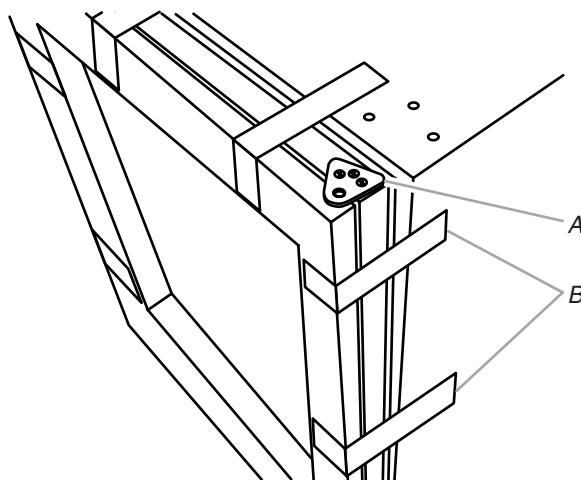
IMPORTANT : Pour garantir un fonctionnement correct, graisser la charnière supérieure, la cale d'espacement supérieure et la rondelle avec de la vaseline.

1. À l'aide d'un tournevis Phillips et de trois vis, fixer la cale d'espacement supérieure sur la porte.
2. Avec de la vaseline, graisser le trou de la cale d'espacement inférieure et l'axe de charnière inférieure. Aligner la rondelle avec le trou de la cale d'espacement inférieure.

3. Abaisser la porte tout droit, lentement et uniformément, sur l'axe de charnière inférieure. Veiller à ce que la rondelle reste en place. Fermer la porte. Veiller à ce que la porte s'aligne correctement avec la caisse.

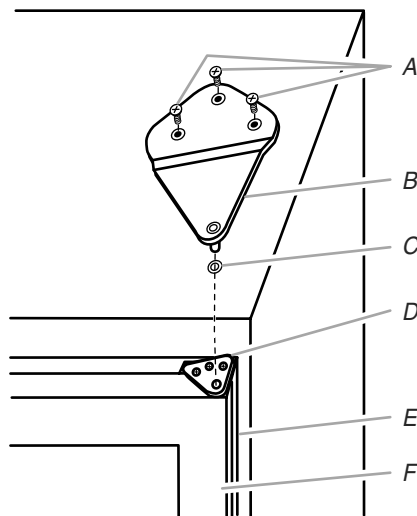
REMARQUE : Fournir un support additionnel à la porte lors du déplacement des charnières. La force d'attraction des aimants de la porte ne suffit pas à la maintenir en place pendant la manutention.

4. À l'aide de ruban adhésif de masquage, fixer la porte à la caisse avant d'installer la cale d'espacement supérieure - voir l'illustration.



A. Cale d'espacement supérieure
B. Ruban adhésif de masquage

5. Placer la rondelle sur la cale d'espacement supérieure et aligner les trous. Graisser l'axe de charnière supérieure, la cale d'espacement supérieure et la rondelle avec de la vaseline. Insérer l'axe de charnière supérieure dans la rondelle et la cale d'espacement supérieure.
6. À l'aide d'un tournevis Phillips et de trois vis, fixer la charnière supérieure à la caisse - voir l'illustration.



A. Vis (3)
B. Charnière supérieure
C. Rondelle
D. Cale d'espacement supérieure
E. Porte
F. Cadre décoratif

7. Ôter le ruban adhésif de masquage de la porte.

Fermeture de la porte

Fermeture de la porte

La cave à vin dispose de quatre pieds de réglage de l'aplomb. Si la cave à vin semble instable ou si vous désirez que la porte se ferme plus facilement, ajuster l'inclinaison de la cave à vin en observant les instructions ci-dessous.

⚠ AVERTISSEMENT



Risque de choc électrique

Brancher sur une prise à 3 alvéoles reliée à la terre.

Ne pas enlever la broche de liaison à la terre.

Ne pas utiliser un adaptateur.

Ne pas utiliser un câble de rallonge.

Le non-respect de ces instructions peut causer un décès, un incendie ou un choc électrique.

1. Brancher sur une prise à 3 alvéoles reliée à la terre.

⚠ AVERTISSEMENT

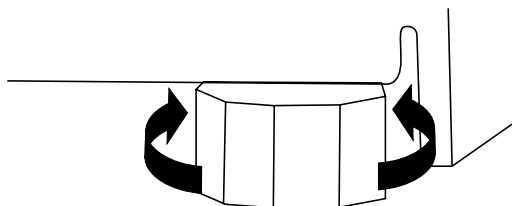
Risque du poids excessif

Utiliser deux ou plus de personnes pour déplacer et installer la cave à vin.

Le non-respect de cette instruction peut causer une blessure au dos ou d'autre blessure.

2. Déplacer la cave à vin à sa position finale.
3. Tourner les pieds de réglage de l'aplomb vers la droite pour abaisser la cave à vin ou tourner les pieds de réglage de l'aplomb vers la gauche pour la soulever. Il peut être nécessaire de tourner les pieds de réglage de l'aplomb plusieurs fois pour ajuster l'inclinaison de la cave à vin.

REMARQUE : Si une autre personne pousse le haut de la cave à vin, le poids devient moins lourd sur les pieds de réglage de l'aplomb, ce qui rend plus facile l'ajustement des pieds de réglage de l'aplomb.

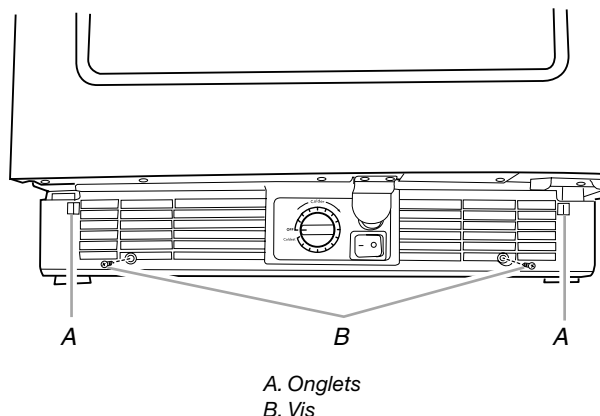


4. Ouvrir la porte et s'assurer qu'elle ferme comme vous le désirez. Sinon, incliner la cave à vin un peu plus vers l'arrière en tournant les deux vis de réglage de l'aplomb avant vers la droite. Plusieurs tours peuvent être nécessaires et il convient de tourner les deux vis de réglage de l'aplomb de façon égale.

Grille de la base

Dépose de la grille de la base

1. Ouvrir la porte de la cave à vin.
2. À l'aide d'un tournevis Phillips, ôter les deux vis. Pousser les deux onglets vers le centre pour dégager la grille de la base de la cave à vin.



A. Onglets
B. Vis

3. Retirer la grille de la base.

Réinstallation de la grille de la base

1. Ouvrir la porte de la cave à vin.
2. Positionner la grille de la base de façon à ce que les onglets soient alignés et que la grille de la base s'emboîte. Réinstaller les deux vis. Serrer les vis.

UTILISATION DE LA CAVE À VIN

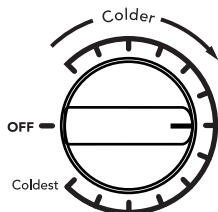
Sons normaux

Il est possible que la cave à vin neuve émette des sons que l'appareil précédent ne produisait pas. Comme ces sons sont nouveaux, ils peuvent vous inquiéter. La plupart de ces nouveaux sons sont normaux. Les sons peuvent vous sembler plus forts avec des surfaces dures telles que le plancher et les structures adjacentes. Les descriptions suivantes indiquent les genres de sons et leur cause possible.

- Votre cave à vin est conçue pour fonctionner plus efficacement afin de conserver le vin aux températures désirées et pour minimiser la consommation d'énergie. Le compresseur et les ventilateurs à haute efficacité peuvent faire fonctionner votre cave à vin plus longtemps que l'ancienne. Il se peut également que vous entendiez un bruit saccadé ou aigu provenant du compresseur ou des ventilateurs qui s'ajustent pour optimiser la performance.
- Des vibrations sonores peuvent provenir de l'écoulement du réfrigérant ou d'articles placés dans la cave à vin.
- À la fin de chaque programme, vous pouvez entendre un gargouillement attribuable au réfrigérant qui se trouve dans votre cave à vin.
- Vous pouvez entendre l'écoulement de l'eau dans le plateau de récupération lorsque la cave à vin dégivre.
- Vous pouvez entendre des dé clics lorsque la cave à vin se met en marche ou s'arrête.

Utilisation de la commande

Pour votre commodité, la commande de la cave à vin est pré-réglée à l'usine. Lors de l'installation initiale de la cave à vin, s'assurer que la commande est encore pré-réglée au réglage moyen tel qu'illustré.



Ajustement des commandes

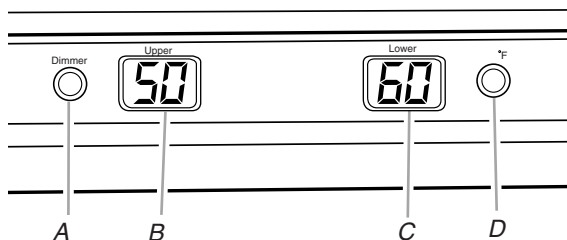
Les réglages moyens indiqués à la section précédente devraient convenir pour une utilisation normale de la cave à vin. La commande est réglée correctement lorsque les boissons sont à la température idéale.

S'il est nécessaire d'ajuster la température, attendre au moins 24 heures entre chaque ajustement puis révérifier la température.

Pour rendre la cave à vin plus froide, ajuster la commande au réglage plus élevé suivant. Pour rendre la cave à vin moins froide, ajuster la commande au réglage plus bas suivant.

Délimiteur de température (affichage de la température)

Le délimiteur de température affiche les températures actuelles (Fahrenheit ou Celsius) pour les zones (compartiments) supérieure et inférieure de la cave à vin. Pour ajuster les réglages de température, voir "Ajustement des commandes" plus tôt dans cette section.



- A. Variateur
- B. Affichage de la zone supérieure
- C. Affichage de la zone inférieure
- D. Fahrenheit/Celsius

Conservation du vin - zones recommandées

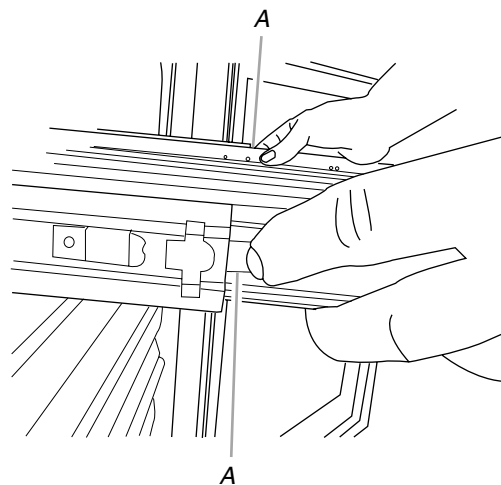
Pour connaître les températures optimales pour la conservation et le service du vin, utiliser le réglage de température recommandé par le fabricant du vin. Consulter l'étiquette du vin pour des détails. En cas de conservation du vin pour une courte période (quelques mois), la température recommandée est de 55°F (13°C).

VINS	ZONES
Vin blanc	Zone supérieure
Vin rosé	Zone inférieure
Vin rouge	Zone inférieure

Casiers à vin

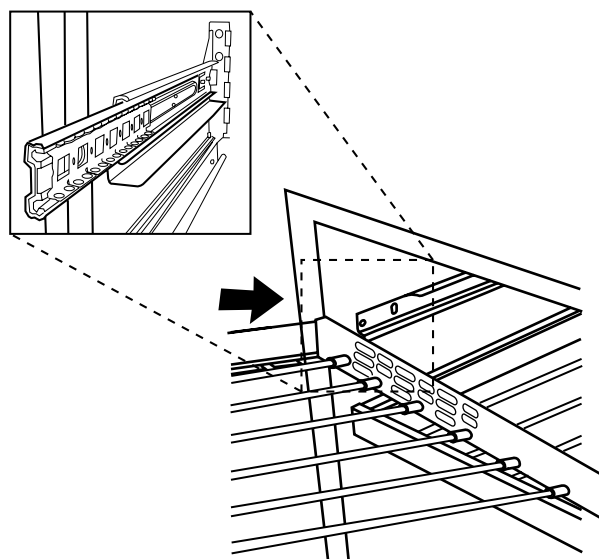
Dépose et remise en place des casiers à vin

1. Tirer le casier vers l'avant jusqu'à la butée. Appuyer sur les onglets pour dégager le casier. Continuer à tirer le casier à vin vers l'avant et le soulever pour le sortir de ses supports.



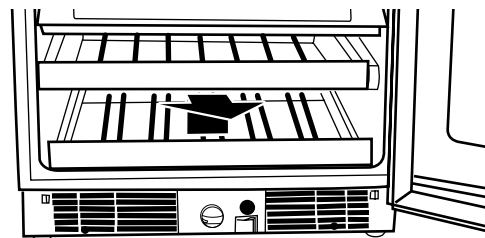
A. Onglets

2. Réinstaller le casier en l'insérant dans les supports et en le faisant glisser vers l'arrière de la cave à vin.



Dépose et remise en place de la grille inférieure

1. Soulever la grille (à l'avant et à l'arrière) vers le haut et tirer tout droit pour la retirer.



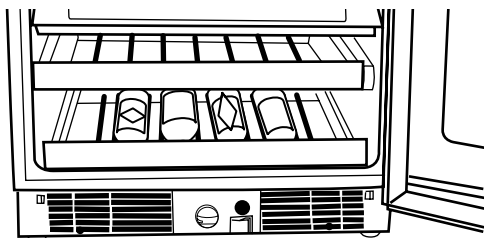
2. Replacer la grille en la poussant en ligne droite vers l'arrière et au-dessus de la butée. Continuer de pousser la grille en ligne droite vers l'arrière jusqu'à ce qu'elle soit en place.

Stockage dans la cave à vin

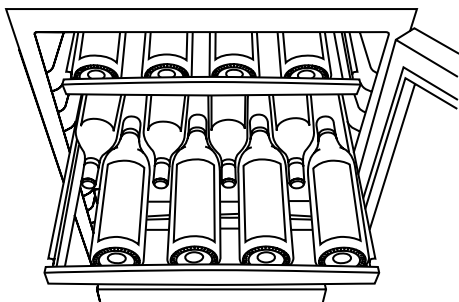
REMARQUE : Pour une conservation optimale du vin, placer les vins blancs dans la partie supérieure de la cave à vin, les vins rosés au centre et les vins rouges dans la partie inférieure.

Stockage dans la cave à vin

1. Débuter le stockage dans la cave à vin par le présentoir du bas.
2. En commençant par le côté gauche, placer la première bouteille dans le bas du casier, le goulot de la bouteille vers l'arrière de la cave à vin.
3. Placer la bouteille suivante à côté, le goulot de la bouteille vers l'avant de la cave à vin.



4. Alternner ainsi jusqu'à ce que le présentoir soit plein.
5. Tirer le casier suivant vers l'avant.
6. En commençant par le côté gauche, placer la première bouteille dans le casier, le goulot de la bouteille vers l'avant.
7. Placer la bouteille suivante sur la rangée qui suit, le goulot de la bouteille vers l'arrière de la cave à vin.



8. Continuer d'alternner ainsi jusqu'à ce que le casier soit plein.
9. Faire glisser le casier en place et continuer à stocker chaque casier restant comme décrit ci-dessus.

Éclairage de la cave à vin

La cave à vin possède une lampe intérieure qui s'allume chaque fois que la porte est ouverte. La lampe peut aussi être allumée à tout moment en ouvrant la porte et en appuyant sur le bouton extérieur situé à côté du bouton de commande de la température, dans la grille de la base.

REMARQUE : La température de la cave à vin augmente légèrement si la lumière est laissée allumée pendant une période prolongée.

ENTRETIEN DE LA CAVE À VIN

Nettoyage

⚠ AVERTISSEMENT



Risque d'explosion

Utiliser un produit de nettoyage ininflammable.

Le non-respect de cette instruction peut causer un décès, une explosion ou un incendie.

Nettoyer la cave à vin environ une fois par mois pour empêcher une accumulation d'odeurs. Essuyer les renversements immédiatement.

Nettoyage de la cave à vin :

1. Débrancher la cave à vin ou déconnecter la source de courant électrique.
2. Retirer tous les casiers de l'intérieur de la cave à vin.
3. Laver à la main, rincer et sécher les pièces amovibles et les surfaces internes à fond. Utiliser une éponge propre ou un linge doux et un détergent doux dans de l'eau tiède.
 - Pour protéger les pièces de la garniture en bois, ne pas immerger complètement le casier dans l'eau lors du lavage.
 - Ne pas utiliser de nettoyeurs forts ou abrasifs tels que les nettoyeurs à vitre en atomiseurs, nettoyeurs à récurer, liquides inflammables, cires nettoyantes, détergents concentrés, eaux de Javel ou nettoyeurs contenant du pétrole sur les pièces en plastique, les garnitures intérieures et de portes ou les joints de portes. Ne pas utiliser d'essuie-tout, tampons à récurer ou autres outils de nettoyage abrasifs. Ces produits risquent d'égratigner ou d'endommager les matériaux.
 - Pour aider à éliminer les odeurs, on peut laver les parois intérieures avec un mélange d'eau tiède et de bicarbonate de soude (2 c. à soupe pour 1 pinte [26 g pour 0,95 L] d'eau).
4. Laver les surfaces extérieures en acier inoxydable et peintes avec une éponge propre ou un linge doux et un détergent doux dans de l'eau tiède. Ne pas utiliser de produits de nettoyage forts ou abrasifs, ni de nettoyeurs à base de chlore. Ces produits risquent d'égratigner ou d'endommager les matériaux. Sécher parfaitement avec un linge doux.

REMARQUE : Pour que votre cave à vin en acier inoxydable conserve son aspect neuf et pour enlever les petites égratignures ou marques, il est suggéré d'utiliser le nettoyant et poli pour acier inoxydable approuvé par le fabricant. Pour commander le nettoyant, voir "Accessoires".

IMPORTANT : Ce nettoyant doit être utilisé sur les pièces en acier inoxydable uniquement!

Veiller à ce que le nettoyant et poli pour acier inoxydable n'entre pas en contact avec les pièces de plastique telles que garnitures, couvercles de distributeurs ou joints de porte. En cas de contact non intentionnel, nettoyer la pièce de plastique avec une éponge et un détergent doux et de l'eau tiède. Sécher parfaitement avec un linge doux.

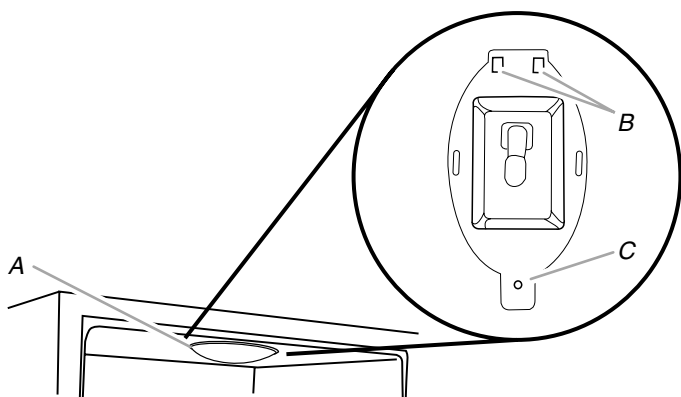
5. Remettre les casiers en place.
6. Nettoyer régulièrement les serpentins du condenseur. Ils sont situés derrière la grille de la base. Il se peut que les serpentins aient besoin d'être nettoyés tous les deux mois. Ce nettoyage peut aider à économiser de l'énergie.
 - Enlever la grille de la base. Voir "Grille de la base".
 - Employer un aspirateur avec un accessoire long pour nettoyer les serpentins du condenseur lorsqu'ils sont sales ou poussiéreux.
 - Réinstaller la grille de la base.
7. Brancher la cave à vin ou reconnecter la source de courant électrique.

Changement de l'ampoule d'éclairage

REMARQUE : Toutes les ampoules pour appareils ménagers ne conviendront pas à votre cave à vin. S'assurer de faire le remplacement par une ampoule de grosseur, de forme et de puissance semblables.

Changement de l'ampoule :

1. Débrancher la cave à vin ou déconnecter la source de courant électrique.
2. À l'aide d'un tournevis Phillips, ôter la vis située à l'arrière du protège-ampoule. Tirer le protège-ampoule vers l'arrière pour retirer les onglets de l'appareil. Ôter le protège-ampoule.



A. Protège-ampoule
B. Onglets
C. Vis

3. Remplacer l'ampoule.
4. Réinstaller le protège-ampoule en insérant les onglets. Aligner les trous et insérer la vis. Serrer la vis.
5. Brancher la cave à vin ou reconnecter la source de courant électrique.

Précautions à prendre pour les vacances et avant un déménagement

Vacances

Si vous choisissez d'arrêter la cave à vin avant de partir, suivre ces étapes.

1. Enlever toutes les bouteilles de la cave à vin.
2. Débrancher la cave à vin.
3. Nettoyer la cave à vin. Voir "Nettoyage".
4. À l'aide de ruban adhésif, placer un bloc de caoutchouc ou de bois dans la partie supérieure de la porte de façon à ce qu'elle soit suffisamment ouverte pour permettre l'entrée de l'air à l'intérieur, afin d'éviter l'accumulation d'odeur ou de moisissure.

Déménagement

En cas de déménagement et de déplacement de la cave à vin dans une nouvelle habitation, suivre ces étapes pour préparer le déménagement.

1. Enlever toutes les bouteilles de la cave à vin.
2. Débrancher la cave à vin.
3. Nettoyer, essuyer et sécher à fond.
4. Retirer toutes les pièces amovibles, bien les envelopper et les attacher ensemble à l'aide de ruban adhésif pour qu'elles ne bougent pas ni ne s'entrechoquent durant le déménagement.
5. Fermer les portes à l'aide de ruban adhésif et fixer le cordon d'alimentation à la cave à vin.

Lorsque vous arriverez à votre nouvelle habitation, remettre tout en place et consulter la section "Instructions d'installation" pour les instructions de préparation.

DÉPANNAGE

Essayer les solutions suggérées ici d'abord afin d'éviter le coût d'une visite de service non nécessaire.

Votre cave à vin ne fonctionne pas

AVERTISSEMENT



Risque de choc électrique

Brancher sur une prise à 3 alvéoles reliée à la terre.

Ne pas enlever la broche de liaison à la terre.

Ne pas utiliser un adaptateur.

Ne pas utiliser un câble de rallonge.

Le non-respect de ces instructions peut causer un décès, un incendie ou un choc électrique.

- **Le cordon d'alimentation électrique est-il débranché?** Brancher sur une prise à 3 alvéoles reliée à la terre.
- **Un fusible est-il grillé ou le disjoncteur s'est-il déclenché?** Remplacer le fusible ou réenclencher le disjoncteur.
- **La commande de la cave à vin est-elle réglée à la position OFF (arrêt)?** Voir "Utilisation de la commande".

Les ampoules ne fonctionnent pas

- **Le cordon d'alimentation est-il débranché?** Brancher sur une prise à 3 alvéoles reliée à la terre.
- **Une ampoule est-elle desserrée dans la douille ou grillée?** Voir "Changement de l'ampoule d'éclairage".

Le moteur semble fonctionner excessivement

- **La température ambiante est-elle plus élevée que d'habitude?** Prévoir que le moteur fonctionnera plus longtemps dans des conditions de chaleur. Pour des températures extérieures normales, prévoir que le moteur fonctionne à peu près 40 % à 80 % du temps. Dans des conditions plus chaudes, prévoir un fonctionnement encore plus fréquent.
- **La porte est-elle ouverte fréquemment?** Prévoir que le moteur fonctionnera plus longtemps dans ce cas. Afin de conserver de l'énergie, essayer de sortir de la cave à vin tout ce dont vous avez besoin en une fois, garder les bouteilles de vin organisées de sorte qu'elles soient faciles à trouver et fermer la porte dès que le vin a été retiré.
- **Le réglage est-il correct pour les conditions existantes?** Voir "Utilisation de la commande".
- **La porte est-elle bien fermée?** Pousser la porte pour qu'elle soit bien fermée. Si elle ne ferme pas complètement, voir "La porte ne ferme pas complètement" plus loin dans cette section.
- **Les serpentins du condenseur sont-ils sales?** Cette situation fait obstruction au transfert de l'air et fait travailler davantage le moteur. Nettoyer les serpentins du condenseur. Voir "Nettoyage".

La température est trop élevée

- **La porte est-elle ouverte fréquemment?** Prévoir que la cave à vin deviendra tiède dans ce cas. Pour garder la cave à vin froide, essayer de sortir de la cave à vin tout ce dont vous avez besoin en une fois, garder les bouteilles de vin organisées de sorte qu'elles soient faciles à trouver et fermer la porte dès que le vin a été retiré.
- **Le réglage est-il correct pour les conditions existantes?** Voir "Utilisation de la commande".
- **La grille de la base est-elle bloquée?** Pour le meilleur rendement, ne pas installer la cave à vin derrière une porte d'armoire ni bloquer la grille de la base.

Il existe une accumulation d'humidité à l'intérieur

- **La porte est-elle ouverte fréquemment?** Pour éviter l'accumulation d'humidité, essayer de sortir de la cave à vin tout ce dont vous avez besoin en une fois, garder les bouteilles de vin organisées de sorte qu'elles soient faciles à trouver et fermer la porte dès que le vin a été retiré. Lorsque la porte est ouverte, l'humidité de l'air extérieur pénètre dans la cave à vin. Plus la porte est ouverte, plus l'humidité s'accumule rapidement, surtout lorsque la pièce est très humide.
- **La pièce est-elle humide?** Il est normal que de l'humidité s'accumule à l'intérieur de la cave à vin lorsque l'air est humide.
- **Le réglage de la commande est-il correct pour les conditions existantes?** Voir "Utilisation de la commande".

La porte est difficile à ouvrir

AVERTISSEMENT



Risque d'explosion

Utiliser un produit de nettoyage ininflammable.

Le non-respect de cette instruction peut causer un décès, une explosion ou un incendie.

- **Le joint est-il sale ou collant?** Nettoyer le joint et la surface avec laquelle il est en contact. Frotter en appliquant une fine couche de paraffine sur le joint après le nettoyage.

La porte ne ferme pas complètement

- **Les casiers sont-ils bien en place?** Remettre les casiers à la bonne position. Voir "Utilisation de la cave à vin" pour plus de renseignements.

- **Le joint colle-t-il?** Nettoyer le joint et la surface avec laquelle il est en contact. Frotter en appliquant une fine couche de paraffine sur le joint après le nettoyage.

AVERTISSEMENT



Risque d'explosion

Utiliser un produit de nettoyage ininflammable.

Le non-respect de cette instruction peut causer un décès, une explosion ou un incendie.

ASSISTANCE OU SERVICE

Avant de faire un appel pour assistance ou service, veuillez vérifier "Dépannage". Cette vérification peut vous faire économiser le coût d'une visite de service. Si vous avez encore besoin d'aide, suivez les instructions ci-dessous.

Lors d'un appel, veuillez connaître la date d'achat et les numéros de modèle et de série complets de votre appareil. Ces renseignements nous aideront à mieux répondre à votre demande.

Si vous avez besoin de pièces de rechange

Si vous avez besoin de commander des pièces de rechange, nous vous recommandons d'utiliser seulement les pièces de rechange spécifiées par l'usine. Les pièces de rechange spécifiées par l'usine fonctionneront bien et fonctionneront bien parce qu'elles sont fabriquées selon les mêmes spécifications précises utilisées pour fabriquer chaque nouvel appareil KITCHENAID®.

Pour savoir où trouver des pièces de rechange spécifiées par l'usine dans votre région, nous appelons ou contacter le centre de service désigné le plus proche.

Aux États-Unis

Téléphoner au Centre pour l'eXpérience de la clientèle de KitchenAid sans frais : **1-800-422-1230**.

Nos consultants fournissent de l'assistance pour :

- Caractéristiques et spécifications de notre gamme complète d'appareils ménagers.
- Renseignements d'installation.
- Procédés d'utilisation et d'entretien.
- Vente d'accessoires et de pièces de rechange.
- Assistance spécialisée au client (langue espagnole, malentendants, malvoyants, etc.).
- Les références aux concessionnaires, compagnies de service de réparation et distributeurs de pièces de rechange locaux. Les techniciens de service désignés par KitchenAid sont formés pour remplir la garantie des produits et fournir un service après garantie partout aux États-Unis.

Pour localiser la compagnie de service désignée par KitchenAid dans votre région, vous pouvez également consulter les Pages jaunes.

Pour plus d'assistance

Si vous avez besoin de plus d'assistance, vous pouvez écrire à KitchenAid en soumettant toute question ou problème à :

KitchenAid Brand Home Appliances
Customer eXperience Center
553 Benson Road
Benton Harbor, MI 49022-2692

Dans votre correspondance, veuillez indiquer un numéro de téléphone où l'on peut vous joindre dans la journée.

Au Canada

Téléphoner sans frais au Centre pour l'eXpérience de la clientèle de KitchenAid Canada au : **1-800-807-6777**.

Nos consultants fournissent de l'assistance pour :

- Caractéristiques et spécifications de notre gamme complète d'appareils ménagers.
- Procédés d'utilisation et d'entretien.
- Vente d'accessoires et de pièces de rechange.
- Les références aux concessionnaires, compagnies de service de réparation et distributeurs de pièces de rechange locaux. Les techniciens de service désignés par KitchenAid Canada sont formés pour remplir la garantie des produits et fournir un service après la garantie, partout au Canada.

Pour plus d'assistance

Si vous avez besoin de plus d'assistance, vous pouvez écrire à KitchenAid Canada en soumettant toute question ou problème à :

KitchenAid Canada
Centre pour l'eXpérience de la clientèle
200 - 6750 Century Ave.
Mississauga, Ontario L5N 0B7

Dans votre correspondance, veuillez indiquer un numéro de téléphone où l'on peut vous joindre dans la journée.

Accessoires

Pour commander des accessoires, composer le **1-800-442-9991** et demander le numéro de pièce approprié ci-dessous ou contacter votre marchand autorisé KitchenAid. Au Canada, composer le **1-800-807-6777**.

Nettoyant et poli pour acier inoxydable

Commander la pièce n° 4396095

GARANTIE DU RÉFRIGÉRATEUR KITCHENAID®

GARANTIE LIMITÉE

Pendant un an à compter de la date d'achat, lorsque ce gros appareil ménager est utilisé et entretenu conformément aux instructions jointes à ou fournies avec le produit, KitchenAid, marque de Whirlpool Corporation ou Whirlpool Canada LP (ci-après désignée "KitchenAid") paiera pour les pièces spécifiées par l'usine et la main-d'œuvre pour corriger les vices de matériaux ou de fabrication qui existaient déjà lorsque ce gros appareil ménager a été acheté. Le service doit être fourni par une compagnie de service désignée par KitchenAid. LE SEUL ET EXCLUSIF RECOURS DU CLIENT DANS LE CADRE DE LA PRÉSENTE GARANTIE LIMITÉE CONSISTE EN LA RÉPARATION PRÉVUE CI-DESSUS. Cette garantie limitée est valide uniquement aux États-Unis ou au Canada et s'applique exclusivement lorsque le gros appareil ménager est utilisé dans le pays où il a été acheté. Une preuve de la date d'achat d'origine est exigée pour obtenir un service dans le cadre de la présente garantie limitée.

GARANTIE LIMITÉE DE LA DEUXIÈME À LA CINQUIÈME ANNÉE INCLUSIVEMENT SUR LA DOUBLURE DE LA CAVITÉ ET LES PIÈCES DU SYSTÈME DE RÉFRIGÉRATION SCÉLLÉ

De la deuxième à la cinquième année inclusivement à compter de la date d'achat, lorsque ce gros appareil ménager est utilisé et entretenu conformément aux instructions jointes à ou fournies avec le produit, KitchenAid paiera pour le remplacement ou la réparation de la doublure de la cavité du réfrigérateur/congélateur (frais de main-d'œuvre inclus) si la pièce se fissure à cause de vices de matériaux ou de fabrication qui existaient déjà lorsque ce gros appareil ménager a été acheté. De même, de la deuxième à la cinquième année inclusivement à partir de la date d'achat, lorsque ce gros appareil ménager est utilisé et entretenu conformément aux instructions jointes à ou fournies avec le produit, KitchenAid paiera pour les pièces spécifiées par l'usine et la main-d'œuvre pour corriger les vices de matériaux ou de fabrication du système de réfrigération scellé qui existaient déjà lorsque ce gros appareil ménager a été acheté pour les pièces suivantes : compresseur, évaporateur, condenseur, séchoir et conduits de connexion.

ÉLÉMENTS EXCLUS DE LA GARANTIE

La présente garantie limitée ne couvre pas :

1. Les pièces de rechange ou la main-d'œuvre lorsque ce gros appareil ménager est utilisé à des fins autres que l'usage domestique unifamilial normal ou lorsque les instructions d'installation et/ou les instructions de l'opérateur ou de l'utilisateur fournies ne sont pas respectées.
 2. Les visites de service pour rectifier l'installation du gros appareil ménager, montrer à l'utilisateur comment utiliser le gros appareil ménager, remplacer ou réparer des fusibles du domicile ou rectifier le câblage ou la plomberie du domicile.
 3. Les visites de service pour réparer ou remplacer les ampoules électriques, les filtres à air ou les filtres à eau de l'appareil. Les pièces consommables ne sont pas couvertes par la garantie.
 4. Les dommages imputables à : accident, modification, usage impropre ou abusif, incendie, inondation, actes de Dieu, installation fautive ou installation non conforme aux codes d'électricité ou de plomberie, ou l'utilisation de produits non approuvés par KitchenAid.
 5. Les défauts d'apparence, notamment les éraflures, traces de choc, fissures ou tout autre dommage subi par le fini du gros appareil ménager, à moins que ces dommages ne résultent de vices de matériaux ou de fabrication et ne soient signalés à KitchenAid dans les 30 jours suivant la date d'achat.
 6. Toute perte d'aliments ou de médicaments due à une défaillance du réfrigérateur ou du congélateur.
 7. Le ramassage et la livraison. Ce gros appareil ménager est conçu pour être réparé à domicile.
 8. Les réparations aux pièces ou systèmes résultant d'une modification non autorisée faite à l'appareil.
 9. Les frais de déplacement et de transport pour le service du produit si votre gros appareil ménager est situé dans une région éloignée où un fournisseur de services d'entretien ou de réparation KitchenAid autorisé n'est pas disponible.
 10. La dépose et la réinstallation de votre gros appareil ménager si celui-ci est installé dans un endroit inaccessible ou n'est pas installé conformément aux instructions d'installation fournies par KitchenAid.
 11. Les pièces de rechange ou la main-d'œuvre pour les gros appareils ménagers dont les numéros de modèle/de série ont été enlevés, modifiés ou ne peuvent pas être facilement identifiés.
-

CLAUDE D'EXONÉRATION DE RESPONSABILITÉ AU TITRE DES GARANTIES IMPLICITES

LES GARANTIES IMPLICITES, Y COMPRIS LES GARANTIES APPLICABLES DE QUALITÉ MARCHANDE OU D'APTITUDE À UN USAGE PARTICULIER, SONT LIMITÉES À UN AN OU À LA PLUS COURTE PÉRIODE AUTORISÉE PAR LA LOI. Certains États et provinces ne permettent pas de limitation sur la durée d'une garantie implicite de qualité marchande ou d'aptitude à un usage particulier, de sorte que la limitation ci-dessus peut ne pas être applicable dans votre cas. Cette garantie vous confère des droits juridiques spécifiques, et vous pouvez également jouir d'autres droits qui peuvent varier d'une juridiction à l'autre.

LIMITATION DES RECOURS; EXCLUSION DES DOMMAGES FORTUITS OU INDIRECTS

LE SEUL ET EXCLUSIF RECOURS DU CLIENT DANS LE CADRE DE LA PRÉSENTE GARANTIE LIMITÉE CONSISTE EN LA RÉPARATION PRÉVUE CI-DESSUS. KITCHENAID N'ASSUME AUCUNE RESPONSABILITÉ POUR LES DOMMAGES FORTUITS OU INDIRECTS. Certains États et certaines provinces ne permettent pas l'exclusion ou la limitation des dommages fortuits ou indirects, de sorte que ces limitations et exclusions peuvent ne pas être applicables dans votre cas. Cette garantie vous confère des droits juridiques spécifiques, et vous pouvez également jouir d'autres droits qui peuvent varier d'une juridiction à l'autre.

Si vous résidez à l'extérieur des 50 États des États-Unis et du Canada, contactez votre marchand KitchenAid autorisé pour déterminer si une autre garantie s'applique.

Si vous avez besoin d'un service de réparation, voir d'abord la section "Dépannage" du guide d'utilisation et d'entretien. Si vous êtes dans l'incapacité de résoudre le problème après avoir vérifié la section "Dépannage", vous pourrez trouver de l'aide supplémentaire en vérifiant la section "Assistance ou service" ou en appelant KitchenAid. Aux É.-U., composer le **1-800-422-1230**. Au Canada, composer le **1-800-807-6777**.

6/08

Conservez ce manuel et votre reçu de vente ensemble pour référence ultérieure. Pour le service sous garantie, vous devez présenter un document prouvant la date d'achat ou d'installation.

Inscrivez les renseignements suivants au sujet de votre gros appareil ménager pour mieux vous aider à obtenir assistance ou service en cas de besoin. Vous devrez connaître le numéro de modèle et le numéro de série au complet. Vous trouverez ces renseignements sur la plaque signalétique située sur le produit.

Nom du marchand _____

Adresse _____

Numéro de téléphone _____

Numéro de modèle _____

Numéro de série _____

Date d'achat _____

2300273D

© 2010. All rights reserved.

Todos los derechos reservados.
Tous droits réservés.

® Registered Trademark/TM Trademark of KitchenAid, U.S.A., KitchenAid Canada licensee in Canada

® Marca registrada/TM Marca de comercio de KitchenAid, U.S.A., usada en Canadá bajo licencia de KitchenAid Canada
® Marque déposée/TM Marque de commerce de KitchenAid, U.S.A., Emploi sous licence par KitchenAid Canada au Canada

9/10

Printed in Mexico

Impreso en México
Imprimé au Mexique

Free Manuals Download Website

<http://myh66.com>

<http://usermanuals.us>

<http://www.somanuals.com>

<http://www.4manuals.cc>

<http://www.manual-lib.com>

<http://www.404manual.com>

<http://www.luxmanual.com>

<http://aubethermostatmanual.com>

Golf course search by state

<http://golfingnear.com>

Email search by domain

<http://emailbydomain.com>

Auto manuals search

<http://auto.somanuals.com>

TV manuals search

<http://tv.somanuals.com>