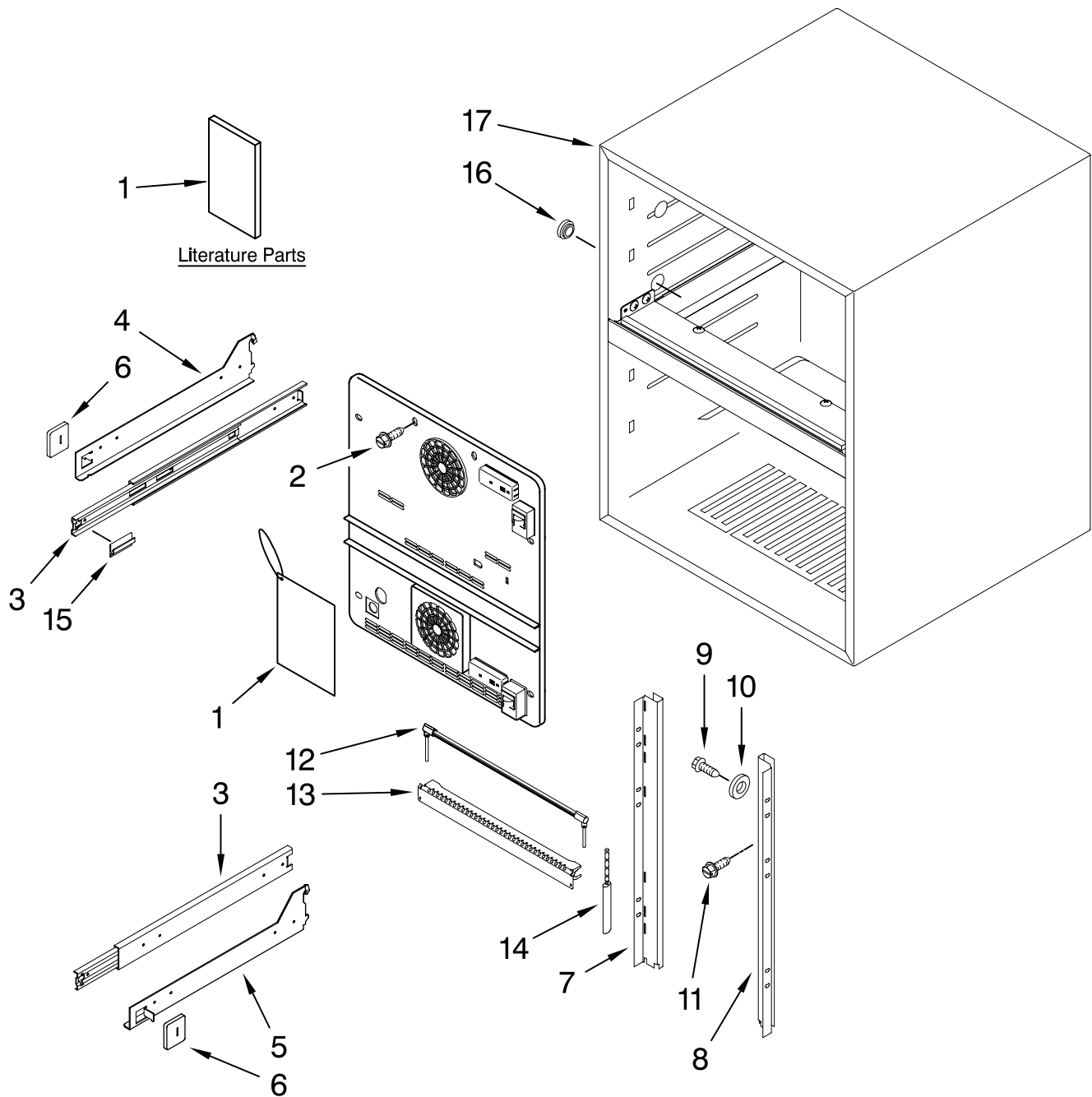


For Model: KDDO24RVX00
(Custom Panel Overlay)



FOR ORDERING INFORMATION REFER TO PARTS PRICE LIST

CABINET PARTS

For Model: KDDQ24RVX00

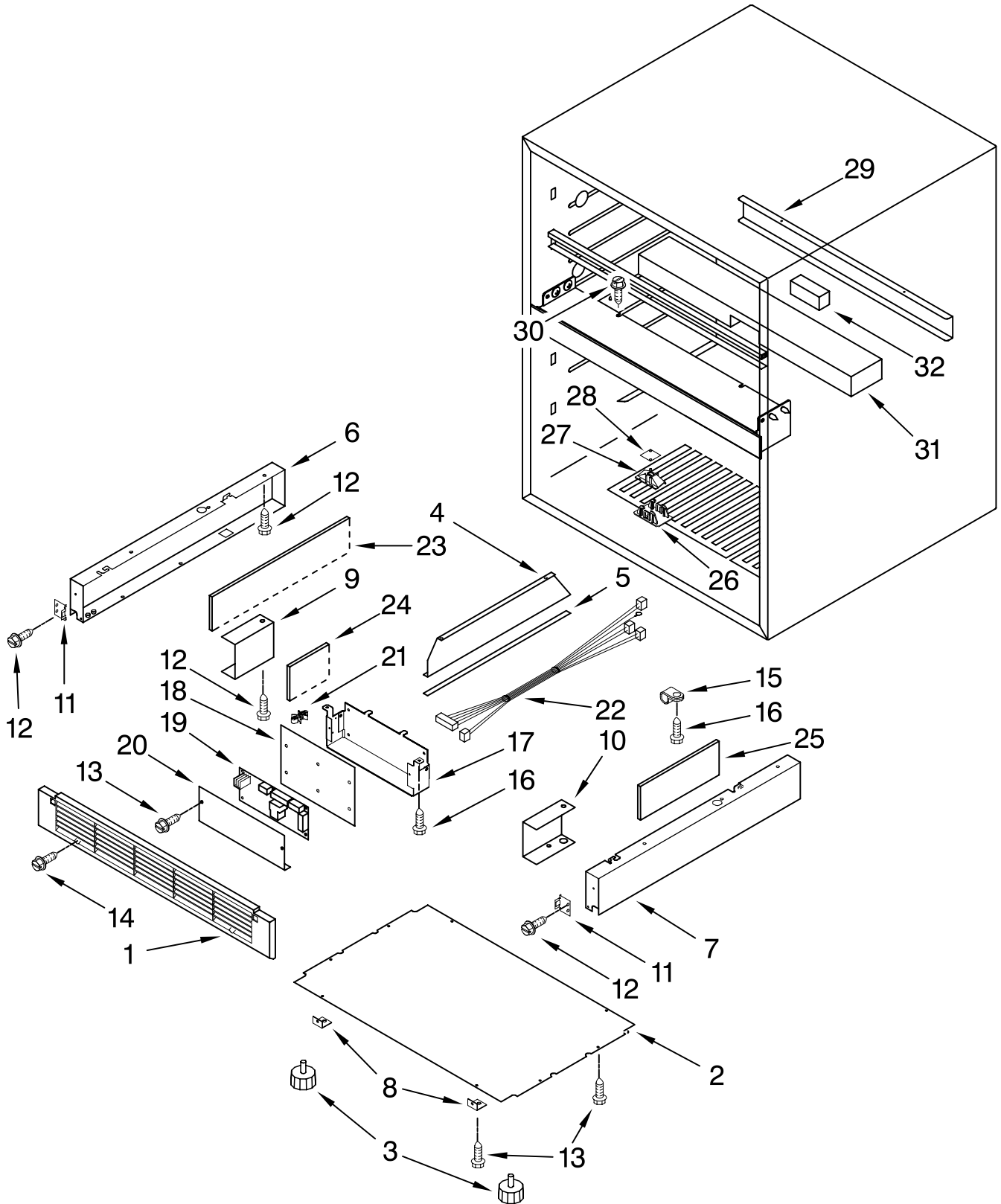
(Custom Panel Overlay)

Illus. No.	Part No.	DESCRIPTION
1		Literature Parts
	W10130022	Installation Instructions
	W10130023	Use & Care Guide
	W10233837	Service & Wiring Sheet
	W10233839	Energy Guide
2	4344793	Screw
3	W10233777	Rail Assy.
4	W10233778	Support Shelf, LH
5	W10233779	Support Shelf, RH
6	W10233780	Support Rubber A
7	4344748	Ladder, LH
8	4344749	Ladder, RH
9	4344794	Screw
10	4344795	Washer
11	W10162986	Screw & Washer
12	W10204610	Defrost Heater
13	4344747	Heat Shield
14	W10204621	Thermal Fuse Assy.
15	W10204630	Lead Wire Support
16	W10204632	Liner Bushing
17		Cabinet (Not a Servicable Part)

FOR ORDERING INFORMATION REFER TO PARTS PRICE LIST

LINER PARTS

For Model: KDD024RVX00
(Custom Panel Overlay)



FOR ORDERING INFORMATION REFER TO PARTS PRICE LIST

LINER PARTS

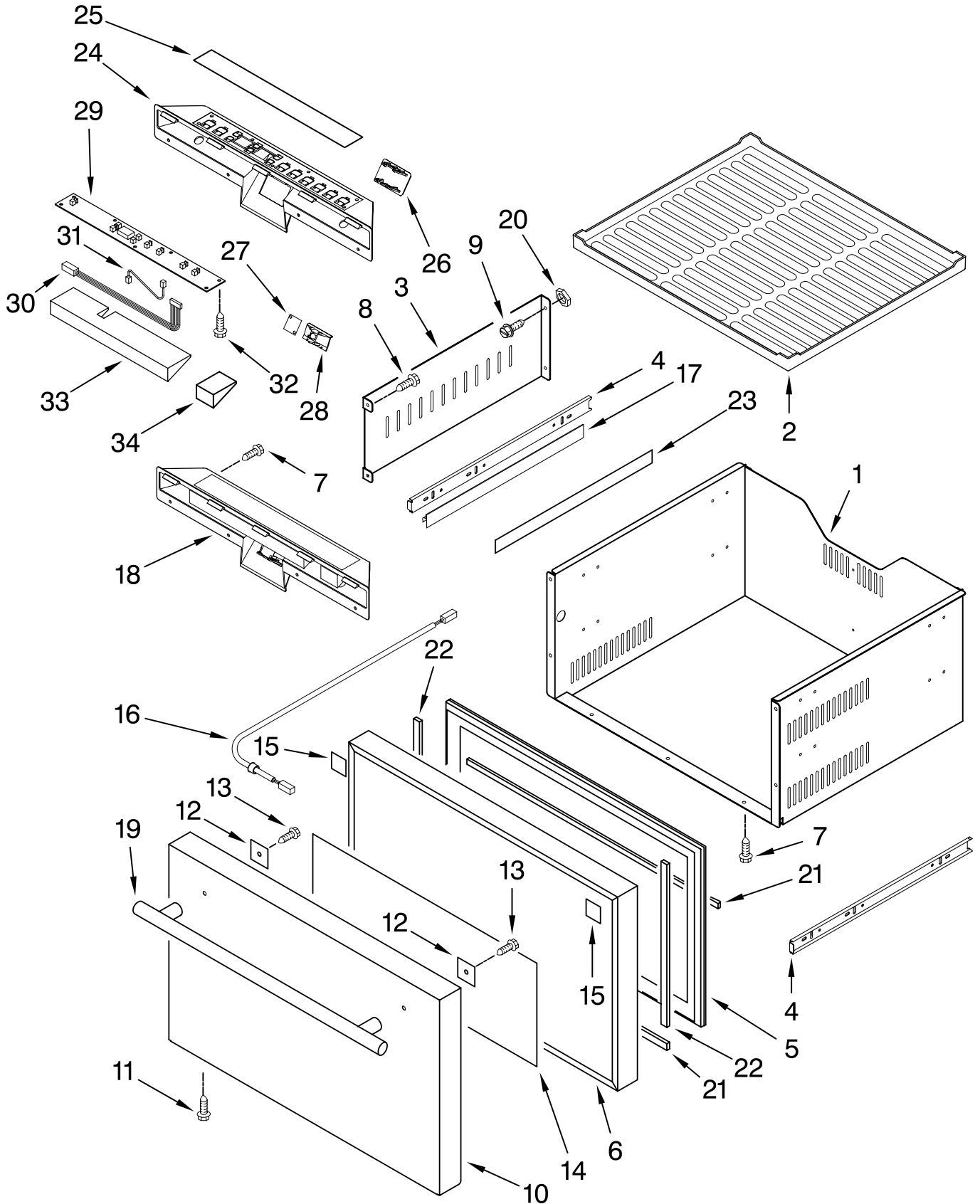
For Model: KDD024RVX00
(Custom Panel Overlay)

Illus. No.	Part No.	DESCRIPTION
1	W10204635	Kick Plate
2	4344762	Plate, Bottom
3	4344763	Leveling Leg
4	W10204638	Auxiliary Plate
5	4344823	Seal, Brace
6	4344789	Side Frame, LH
7	4344790	Side Frame, RH
8	4344771	Bracket, Grille
9	4344820	Side Support, LH
10	4344821	Side Support, RH
11	W10204640	Kick Plate Mount
12	4344797	Screw, Lower Hinge
13	4344826	Screw, Grille
14	W10204644	Screw
15	4344824	Cable Clamp
16	4344825	Screw
17	W10204645	Main PCB Box
18	W10204646	PCB Box Film
19	W10204648	Main PCB
20	W10204647	PCB Box Cover
21	W10204659	PCB Standoff
22	W10204663	Power Harness
23	W10205076	Acoustic Foam B
24	W10205077	Acoustic Foam C
25	W10205078	Acoustic Foam A
26	W10204929	Lamp Cover
27	W10204931	Lamp Holder
28	W10204930	LED Lamp
29	W10205067	Mullion Cover
30	W10205069	Screw
31	W10205071	Mullion Insulation
32	W10205072	Mullion Insulation

FOR ORDERING INFORMATION REFER TO PARTS PRICE LIST

UPPER DRAWER PARTS

For Model: KDDO24RVX00
(Custom Panel Overlay)



FOR ORDERING INFORMATION REFER TO PARTS PRICE LIST

UPPER DRAWER PARTS

For Model: KDD024RVX00
(Custom Panel Overlay)

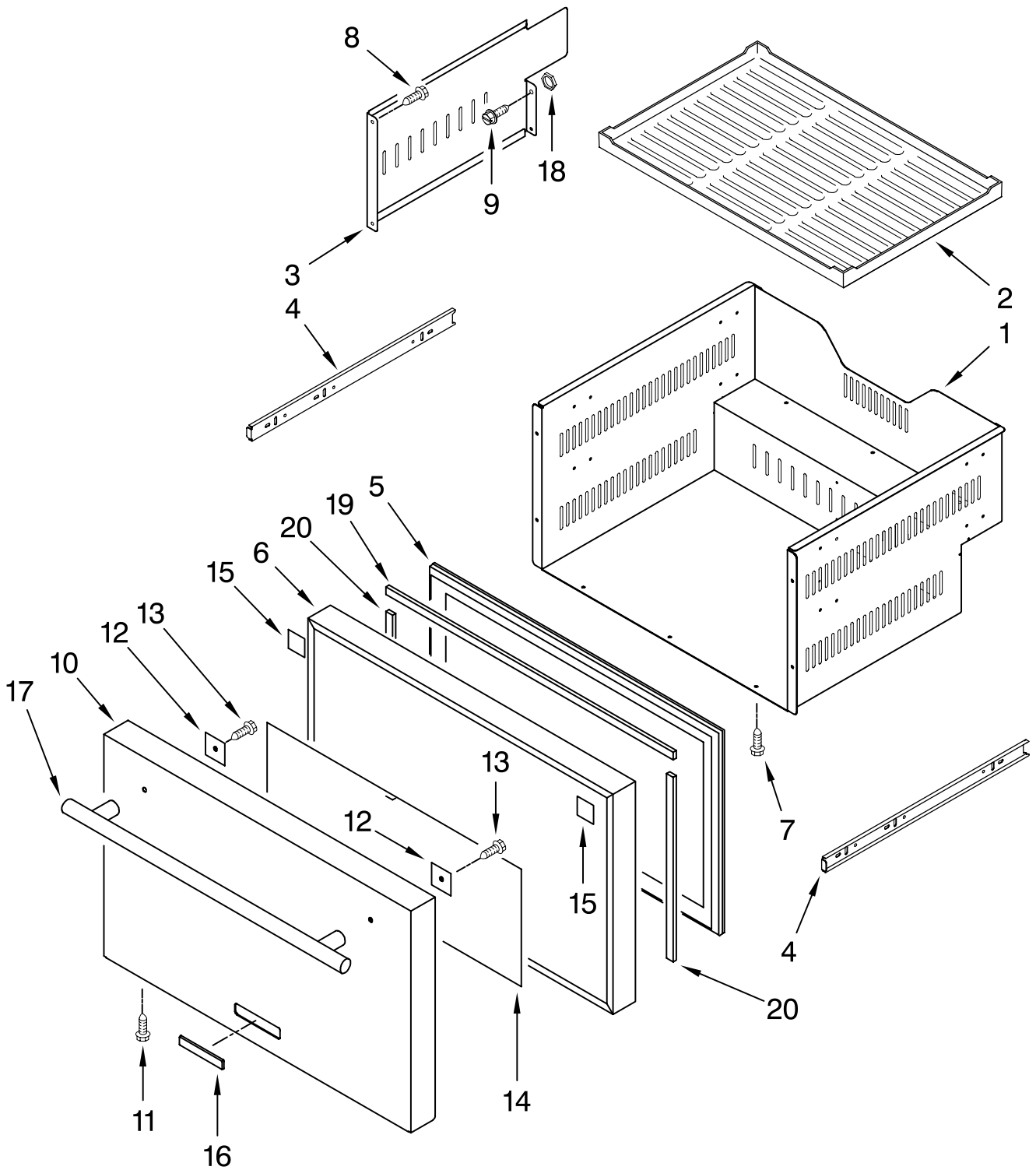
Illus. No.	Part No.	DESCRIPTION
1	W10204697	Drawer Box Assy.
2	W10204698	Top Mat
3	W10204699	Drawer Partition
4	W10233777	Rail Assy.
5	W10204700	Gasket
6	W10204702	Top Door Assy.
7	W10204808	Screw
8	W10204809	Screw
9	W10204810	Screw
10	W10204861	Top Wrap
11	W10204865	Screw
12	4344809	Plate, Door Handle
13	W10204866	Screw
14	W10204867	Wrap Spacer
15	W10204868	Wrap Gap Spacer
16	W10204884	Indicator Harness
17	W10204885	Lead Wire Support
18	W10204887	Control Panel Assy
19	W10204888	Door Handle
20	W10204920	Nut
21	W10204889	Door Gasket, Long
22	W10204897	Door Gasket, Short
23	W10205081	Wire Support Tape
24	W10204927	Control Panel
25	W10204928	Label, Panel
26	W10204929	Lamp Cover
27	W10204930	LED Lamp
28	W10204931	Lamp Holder
29	W10204932	Display PCB Assy.
30	W10204933	PCB Harness
31	W10204934	Lamp Harness
32	W10204935	Screw
33	W10204936	Panel Insulation
34	W10204937	Panel Insulation B

Following Parts Not Illustrated

W10204926 Overlay Parts Kit

LOWER DRAWER PARTS

For Model: KDD024RVX00
(Custom Panel Overlay)



FOR ORDERING INFORMATION REFER TO PARTS PRICE LIST

LOWER DRAWER PARTS

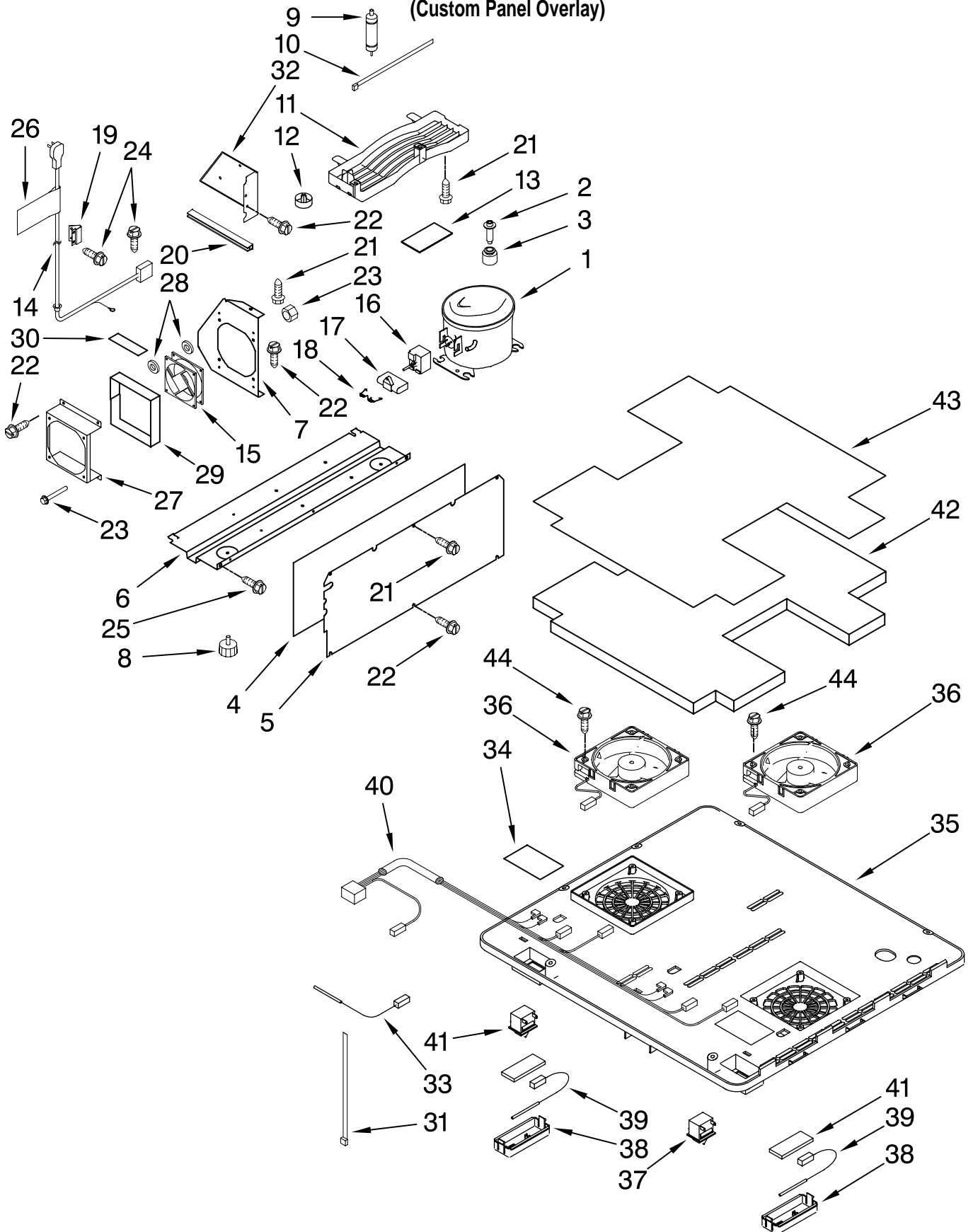
For Model: KDD024RVX00
(Custom Panel Overlay)

Illus.	Part	
No.	No.	DESCRIPTION
1	W10204921	Drawer Box Assy.
2	W10204922	Bottom Mat
3	W10204923	Drawer Partition
4	W10233777	Rail Assy.
5	W10204700	Gasket
6	W10204925	Formed Door Assy.
7	W10204808	Screw
8	W10204809	Screw
9	W10204810	Screw
10	W10204861	Top Wrap
11	W10204865	Screw
12	4344809	Plate, Door Handle
13	W10204866	Screw
14	W10204867	Wrap Spacer
15	W10204868	Wrap Gap Spacer
16	4344813	Name Plate
17	W10204888	Door Handle
18	W10204920	Nut
19	W10204889	Door Gasket, Long
20	W10204897	Door Gasket, Short

FOR ORDERING INFORMATION REFER TO PARTS PRICE LIST

UNIT PARTS

For Model: KDDO24RVX00
(Custom Panel Overlay)



FOR ORDERING INFORMATION REFER TO PARTS PRICE LIST

UNIT PARTS

For Model: KDDO24RVX00
(Custom Panel Overlay)

Illus. No.	Part No.	DESCRIPTION
1	4344775	Compressor
2	4344780	Bolt
3	4344779	Grommet
4	W10204672	Rear Insulation
5	4344786	Rear Cover
6	W10204673	Cabinet Base Plate
7	W10204674	Air Baffle
8	4344763	Leg
9	W10163273	Dryer
10	4344829	Cable Tie
11	W10163193	Drain Tray
12	W10163276	Drain Trap
13	W10163274	Vibration Rubber
14	W10204676	Power Cord
15	W10204677	Condenser Motor
16	4344776	Motor Starter
17	4344837	Capacitor
18	4344836	5SP Clip
19	4344831	Bushing Clip
20	4344907	Edge Trim
21	4344825	Screw
22	4344832	Screw
23	W10204686	Bolt
24	4344826	Screw
25	4344797	Bolt
26	4344913	Warning Label
27	W10204687	Fan Cover
28	W10204688	Fan Bushing
29	W10204689	Vibration Rubber A
30	W10204690	Vibration Rubber B
31	4344829	Cable Tie
32	4344773	Bracket, Timer
33	W10205063	Defrost Sensor
34	W10205062	Terminal Protector
35	W10204941	Fan Cover
36	W10204942	Motor & Fan
37	W10204943	Door Switch
38	W10204945	Sensor Case
39	W10204946	Temp Sensor
40	W10204947	Wire Harness
41	W10204948	Sensor Case Seal
42	W10204952	Insulation
43	W10205060	Plate Cover
44	W10205061	Screw

Following Parts Not Illustrated

4344912 Warning Label

3.25 oz.

3.25 oz.

FOR ORDERING INFORMATION REFER TO PARTS PRICE LIST

Free Manuals Download Website

<http://myh66.com>

<http://usermanuals.us>

<http://www.somanuals.com>

<http://www.4manuals.cc>

<http://www.manual-lib.com>

<http://www.404manual.com>

<http://www.luxmanual.com>

<http://aubethermostatmanual.com>

Golf course search by state

<http://golfingnear.com>

Email search by domain

<http://emailbydomain.com>

Auto manuals search

<http://auto.somanuals.com>

TV manuals search

<http://tv.somanuals.com>