

# **KitchenAid™**

# **Installation Instructions**

Part No. 4176199 Rev. A

## **Pure Delivery Water Pump**

**IMPORTANT:**  
**Read and save  
these instructions.**

**IMPORTANT:**

**Installer:** Leave Installation Instructions with the homeowner.

**Homeowner:** Keep Installation Instructions for future reference.

**Save** Installation Instructions for local electrical inspector's use.

# Before you start...

**Check location** where water pump will be installed. Proper installation is your responsibility. Make sure you have everything necessary for correct installation.

The rating information is located on the base of pump.

**Important: Observe all governing codes and ordinances.**

**Grounded electrical outlet** is required. See Electrical requirements.

**Water connections** to pump Do Not require sealing compounds to prevent leaking.

A separate water faucet can be connected to the water pump. The water pump can be connected to any water faucet that can handle 40-60 PSI. **A water faucet kit**, Part No. 4319154 is available from your KitchenAid dealer or authorized parts distributor.

The water pump can be connected to the refrigerator ice maker and water dispensing system.

## ! WARNING

### Personal Injury Hazard

- Do Not use water pump to pump any other liquids, use only for bottled water.
  - Clean system after extended periods of non-use.
- Failure to follow these instructions may result in personal injury.

## ! WARNING

### Electrical Shock Hazard

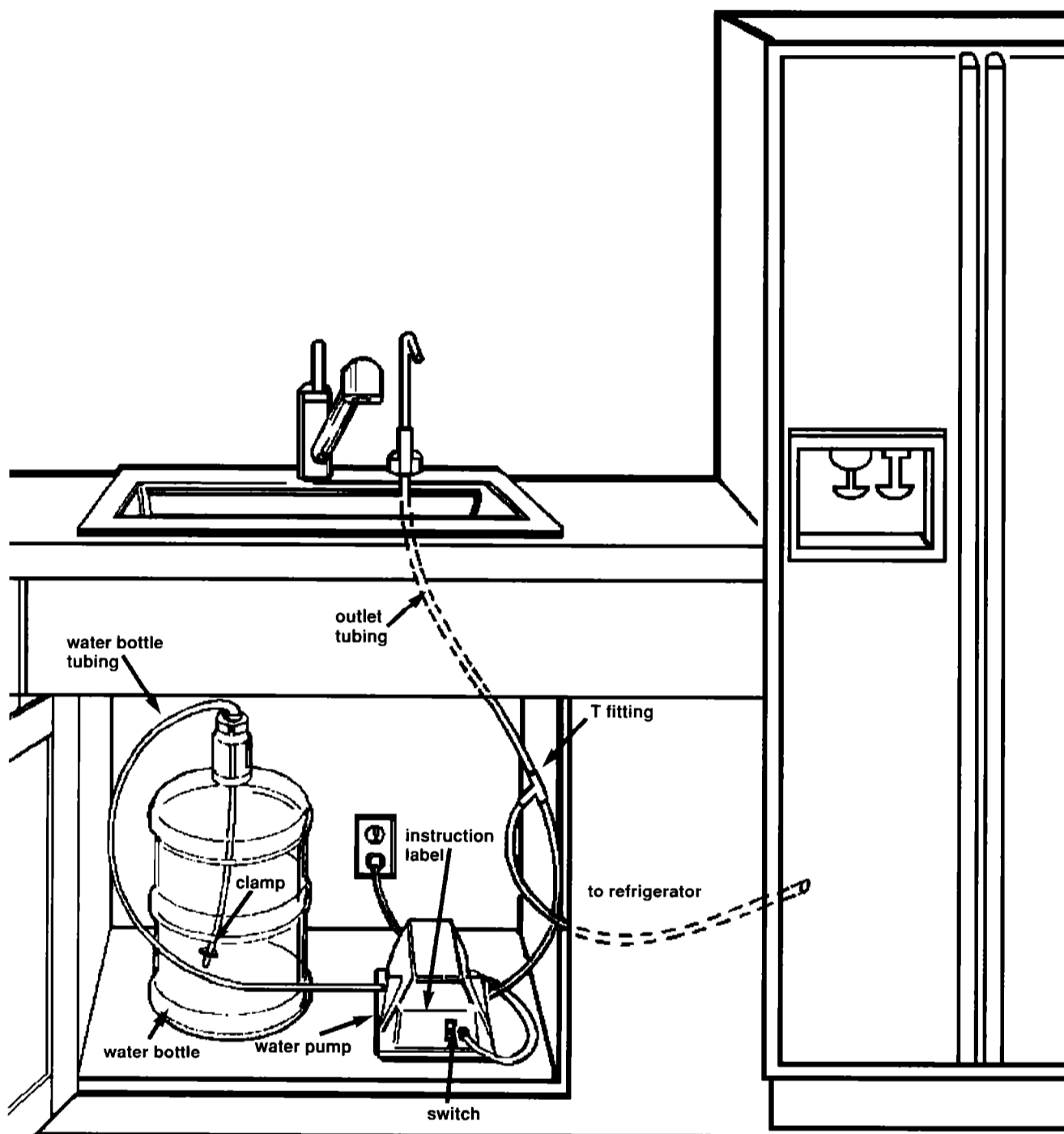
- It is the customer's responsibility:
- To contact a qualified electrical installer.
  - To assure that the electrical installation is adequate and in conformance with National Electrical Code, ANSI/NFPA 70-latest edition\*\*, and all local codes and ordinances.
- Failure to do so could result in fire, electrical shock or other personal injury.

\*\*Fire Protection Association  
Batterymarch Park  
Quincy, Massachusetts 02269

## ! CAUTION

### Property/Product Damage

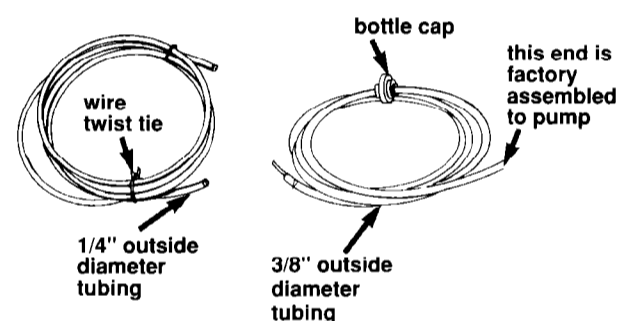
- Do Not store water bottle and water pump in an area where temperatures fall below 32°F.
- Failure to follow these instructions may result in product or property damage.



## Tools needed for installation:



## Parts supplied for installation:



## Parts not supplied for installation:

- faucet kit Model KWPFHXWO (Part No. 4319154)
- "T" fittings to route tubing to multiple locations (Part No. 4319152)
- If additional tubing is required, you will need tubing connector, Part No. 4319153 and 1/4" O.D. tubing, Part No. 4319151

## Electrical requirements

### ! WARNING

#### Electrical Shock Hazard

- Electrical ground is required on this appliance.
  - If cold water pipe is interrupted by plastic, non-metallic gaskets or other insulating materials, Do Not use for grounding.
  - Do Not ground to a gas pipe.
  - Do Not modify the power supply cord plug. If it does not fit the outlet, have a proper outlet installed by a qualified electrician.
  - Do Not have a fuse in the neutral or grounding circuit. A fuse in the neutral or grounding circuit could result in electrical shock.
  - Do Not use an extension cord with this appliance.
  - Check with a qualified electrician if you are in doubt as to whether the appliance is properly grounded.
  - This appliance is equipped with a power supply cord having a 3-prong grounding plug. To minimize possible shock hazard, the cord must be plugged into a mating 3-prong grounding-type wall receptacle, grounded in accordance with National Electrical Code, ANSI/NFPA 70-latest edition and all local codes and ordinances. See Figure 1. If a mating wall receptacle is not available, it is the personal responsibility and obligation of the customer to have a properly grounded 3-prong wall receptacle installed by a qualified electrician.
- Failure to follow these instructions could result in a serious injury or death.

If codes permit and a separate grounding wire is used, it is recommended that a qualified electrician determine that the grounding path is adequate.

A 120-volt, 60-HZ, AC-only, fused electrical supply is required. The total circuit ampere load used including the water pump must not exceed 90% of circuit-rated ampere capacity. The ampere rating of the water pump is located on the base of the pump.

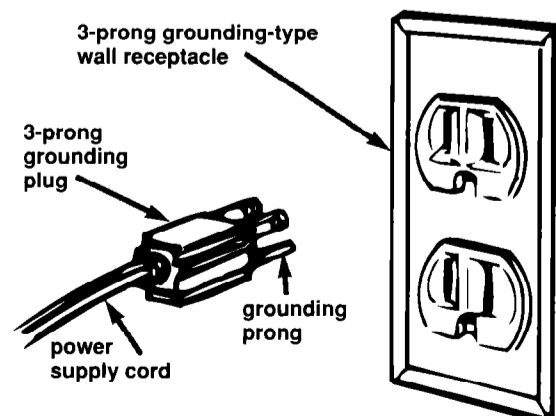


Figure 1

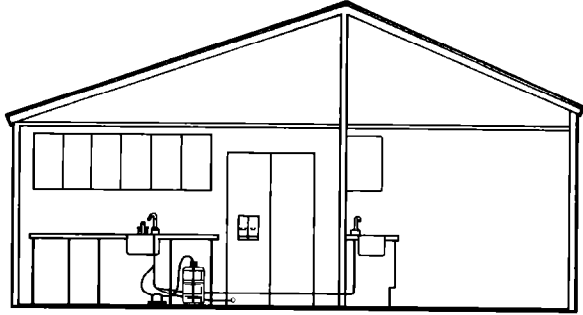
## Now start...

With pump in room where it will be installed.

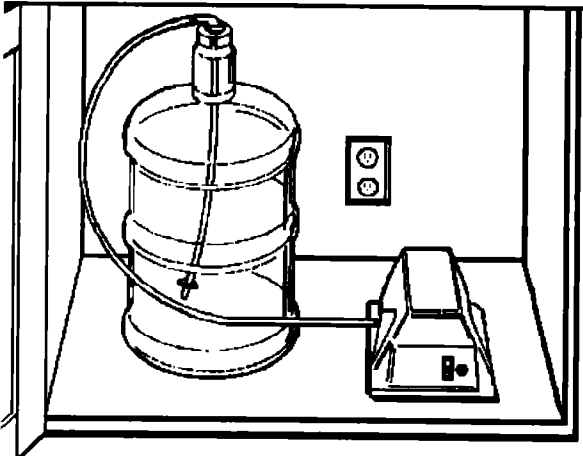
1. Determine where you wish to locate water pump and water bottle. The water bottle and water pump should be installed on the same level. The water bottle and water pump must be located close together since the tubing connecting the pump to the water bottle is 6 feet long. **Use existing tubing between water pump and water bottle. Do Not cut this tubing or add tubing between pump and water bottle. Do Not remove clamp on end of tubing that connects inner tubing to outer tubing.**

### Suggested locations:

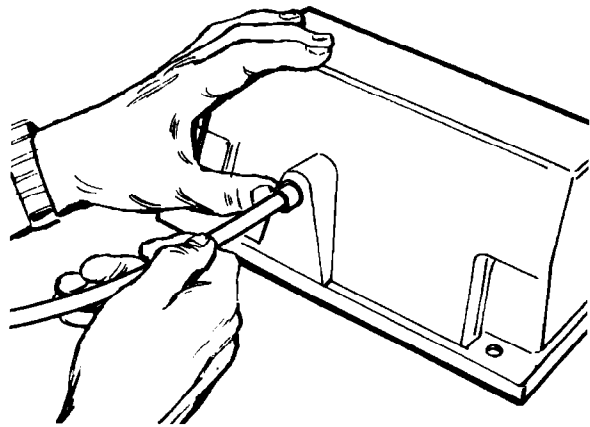
- Under the sink - especially for faucet connection.
- Cabinet next to outlet connection.



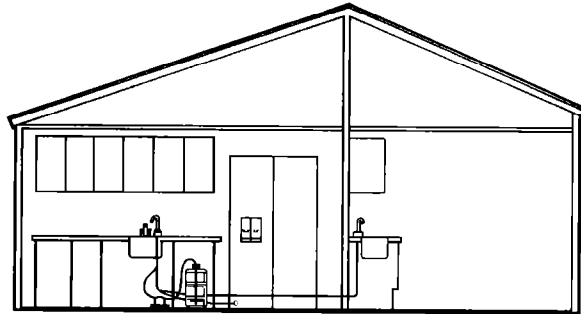
2. Determine where you will need to run water lines and the length of tubing that will be needed. If more tubing is needed than what is supplied, tubing (Part No. 4319151) and tubing connectors (Part No. 4319153) can be obtained from your KitchenAid dealer or authorized parts distributor.



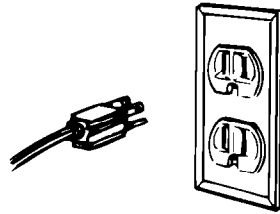
3. Attach bottle cap to water bottle. Push the tubing into the water bottle until the end of the tubing reaches the bottom of the bottle. **Do Not remove clamp from end of tubing.**



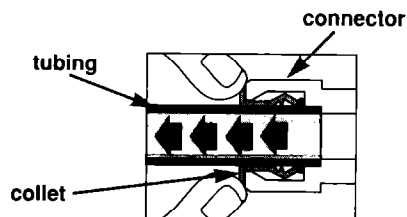
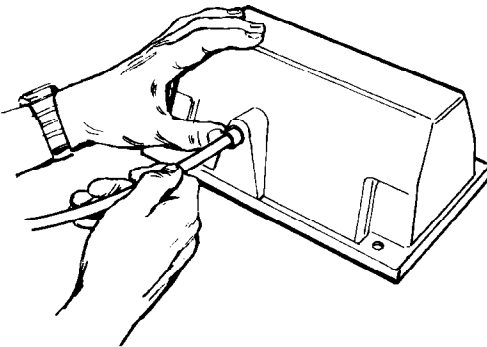
4. Insert one end of the 1/4" O.D. outlet tubing 1/2" to 3/4" into connector located on outside of pump. Check that you have pushed tubing into connector as far as it will go.



5. Route the tubing to the faucet or refrigerator. Cut tubing to length needed. Use proper fitting to attach tubing to faucet or refrigerator. A "T" fitting, (Part No. 4319152), for routing tubing to more than one location is available from your KitchenAid dealer or authorized parts distributor.



6. Plug power supply cord into grounded, electrical outlet. Press the switch to the "I" position.



7. Run enough water through faucet or refrigerator to fill a glass or other container. Check all connections for leaks. If a connection leaks, push in collet and remove tubing. Cut off 1/2" of tubing and reinsert into connector.

If unit is connected ONLY to a refrigerator icemaker, the icemaker will have to call for water before pump can be checked for leaks.

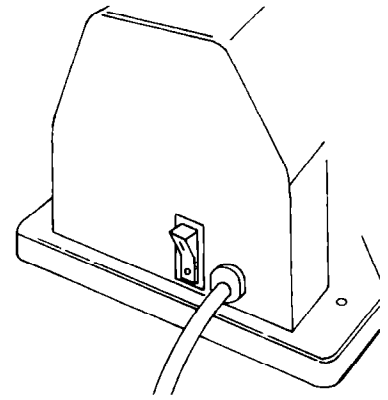
**Keep Installation Instructions for future reference. The instructions will make it simple to reinstall your water pump.**

## Use and Care Information

The water pump operates automatically when outlet (faucet, etc.) is opened. When the outlet is closed, the water pump automatically stops operating.

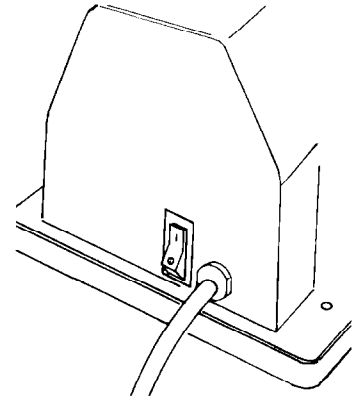
**When water bottle empties during use:** Pressurized air is expelled through faucet or refrigerator when water bottle is empty.

1. Turn the faucet to "OFF" position or stop dispensing from the refrigerator.



2. Press the switch on the water pump to the "O" position.

3. Remove bottle cap from water bottle. Replace empty water bottle. Attach bottle cap to full water bottle.



4. Press the switch on the water pump to the "I" position.

**If water bottle empties while unattended,** the pump will run for 2-1/2 minutes and then automatically shut off.

1. Press the switch on the water pump to the "O" position.
2. Remove bottle cap from water bottle. Replace empty water bottle. Attach bottle cap to full water bottle.

3. Press the switch on the water pump to the "I" position.

**If water system is exposed to temperatures below 32°F,** the system must be drained.

Remove tube from bottle. Open all outlets and run pump to inject air through all outlets.

**Cleaning and sanitizing system:** System should be cleaned after extended periods of non-use.

1. Add one-half teaspoon of chlorine bleach to one gallon of water.
2. Insert tube into solution and start pump.
3. Open all outlets to fill system with solution. Let stand five minutes.
4. Flush system with water until chlorine is removed.

# Troubleshooting

Problem	Cause	Solution
Water pump cycles on and off:	Water leaks at one or more outlet connectors.	<ul style="list-style-type: none"> <li>• Check all fittings and water pump connections for leaks.</li> <li>• Push in connector and remove tubing. Cut off 1/2" of tubing and reinsert into connector.</li> <li>• Do Not cut water bottle to pump tubing.</li> </ul>
Water pump does not run:	Electrical power not being supplied. Water bottle is empty.	<ul style="list-style-type: none"> <li>• Check that power supply cord is plugged into outlet.</li> <li>• Check if circuit breaker has tripped or if fuse has blown.</li> <li>• Check to see if water bottle is empty. Replace water bottle according to instructions.</li> <li>• Press switch on the water pump to "O" position.</li> <li>• Then press the switch to the "I" position to reset motor timer.</li> </ul>
Water pump operates continuously until motor timer stops motor:	Water bottle is empty.	Replace water bottle according to instructions.
Air in system.	Air leak in water bottle to pump tubing.	<ul style="list-style-type: none"> <li>• Check that tubing in water bottle is touching bottom of bottle. If tubing is too high, it will take in air.</li> <li>• Check that tubing is tightly pushed in place inside water pump connector.</li> </ul>

## If you need service...

In the event that your KitchenAid appliance should need service, call the dealer or store from which you purchased the appliance or a KitchenAid-authorized service company. A KitchenAid-authorized service company is listed in the Yellow Pages of your telephone directory under "Appliances – Household – Major – Service or Repair". You can also obtain the service company's name and telephone number by dialing, free, within the continental United States, the KitchenAid Consumer Assistance Center telephone number, 800-422-1230. A special operator will tell you the name and number of your nearest KitchenAid-authorized service company.

Maintain the quality built into your appliance – call a KitchenAid-authorized service company.

## Pure Delivery Water Pump Warranty

Length of Warranty	KitchenAid Will Pay For:
<b>ONE YEAR FULL WARRANTY</b> From date of purchase.	Replacement parts and repair labor to correct defects in materials or workmanship. Service must be provided by an authorized KitchenAid servicing company.
<b>KitchenAid Will Not Pay For:</b>	
<b>A.</b> Service calls to: <ol style="list-style-type: none"> <li>1. Correct the installation of the pump.</li> <li>2. Instruct you how to use the pump.</li> <li>3. Replace house fuses, circuit breakers or correct house wiring.</li> </ol> <b>B.</b> Repairs when pump is used in other than normal use. <b>C.</b> Damage resulting from accident, alteration, misuse, abuse, improper installation or installation not in accordance with local electrical codes. <b>E.</b> Replacement parts or repair labor costs for units operated outside the United States. <b>F.</b> Pick up and delivery.	

KitchenAid does not assume any responsibility for incidental or consequential damages. Some states do not allow the exclusion or limitation of incidental or consequential damages, so this exclusion or limitation may not apply to you.

This warranty gives you specific legal rights and you may also have other rights which vary from state to state.

## Free Manuals Download Website

<http://myh66.com>

<http://usermanuals.us>

<http://www.somanuals.com>

<http://www.4manuals.cc>

<http://www.manual-lib.com>

<http://www.404manual.com>

<http://www.luxmanual.com>

<http://aubethermostatmanual.com>

Golf course search by state

<http://golfingnear.com>

Email search by domain

<http://emailbydomain.com>

Auto manuals search

<http://auto.somanuals.com>

TV manuals search

<http://tv.somanuals.com>