

KLIPSCH

HOME

SERIES

ARCHITECTURAL LOUDSPEAKERS




Owner's Manual and Warranty

KHW-5 & KHC-6 Owner's Manual

IMPORTANT SAFETY INSTRUCTIONS

1. READ these instructions.
2. KEEP these instructions.
3. HEED all warnings.
4. FOLLOW all instructions.
5. DO NOT use this apparatus near water.
6. CLEAN ONLY with dry cloth.
7. DO NOT block any ventilation openings. Install in accordance with the manufacturer's instructions.
8. DO NOT install near any heat sources such as radiators, heat registers, stoves, or other apparatus (including amplifiers) that produce heat.
9. DO NOT defeat the safety purpose of the polarized or grounding type plug. A polarized plug has two blades with one wider than the other. A grounding type plug has two blades and a third grounding prong. The wider blade or the third prong are provided for your safety. If the provided plug does not fit into your outlet, consult an electrician for replacement of the obsolete outlet.
10. PROTECT the power cord from being walked on or pinched, particularly at plugs, convenience receptacles, and the point where they exit from the apparatus.
11. ONLY USE attachments/accessories specified by the manufacturer.
12. USE only with a cart, stand, tripod, bracket, or table specified by the manufacturer, or sold with the apparatus. When a cart is used, use caution when moving the cart/apparatus combination to avoid injury from tip-over.
13. UNPLUG this apparatus during lightning storms or when unused for long periods of time.
14. REFER all servicing to qualified service personnel. Servicing is required when the apparatus has been damaged in any way, such as power-supply cord or plug is damaged, liquid has been spilled or objects have fallen into the apparatus, the apparatus has been exposed to rain or moisture, does not operate normally, or has been dropped.

 This symbol indicates that there are important operating and maintenance instructions in the literature accompanying this unit.

 This symbol indicates that dangerous voltage constituting a risk of electric shock is present within this unit.



WARNING: Risk of Electrical Shock. Do Not Open. Voltages in this equipment are hazardous to life. No user-serviceable parts inside. Refer all servicing to qualified service personnel.

WARNING: To reduce the risk of fire or electrical shock, do not expose this apparatus to rain or moisture. Do not expose this apparatus to dripping or splashing and ensure that no objects filled with liquids – such as a vase of flowers – are placed on the apparatus.

WARNING: To prevent injury, this apparatus must be securely attached to the floor/wall in accordance with the installation instructions.

No naked flame sources – such as candles – should be placed on the product.

Caution: Changes or modifications not expressly approved by the manufacturer could void the user's authority to operate this device

Your new Klipsch architectural speakers have been designed to deliver great sound while remaining unobtrusive wherever you install them. For optimum performance, use the KHW-5 model as front, center or surround channels in audio or home theater applications, or as part of a distributed sound system. Use the KHC-6 model for distributed sound in kitchens, hallways or bath rooms. They are also suitable for use as surround channels.

KHW-5 SPEAKER PLACEMENT

Designed to function in any standard wall, ceiling or drop ceiling, Klipsch in-wall speakers are engineered for years of performance. Minimum construction requirements call for drywall or other mounting surfaces to be at least 3/8" thick.

When planning speaker placement, maximum performance is realized when speakers are placed at equal distance from the listener and along a common wall. This helps ensure the best stereo effect. For non-critical listening environments (or when the listening position may vary widely) speaker placement may be wherever is most convenient, although in these cases stereo imaging may be lost. If this option is used, Klipsch recommends using the "mono" setting on the system's preamplifier.

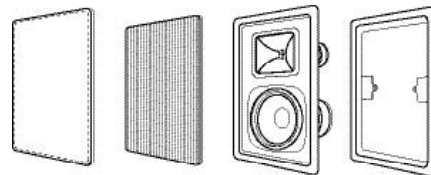
KHW-5 SPEAKER INSTALLATION

Contents Description	Quantity
Speaker Modules	2
Frames	2
Grilles	2
Screws (#6 x 1 1/2")	4 (KHW-5)

Tools Required
 #2 Phillips Screwdriver
 Hole Saw

New Construction

1. Insert the frame into the wall opening and attach via the swinging "dog" connectors integral with the frame.
2. At this point, you may paint the wall and frame together. You may also want to paint the speaker grilles. Klipsch in-wall frames and grilles are designed to accept most types of paint. Care should be taken to avoid excessive paint build-up in the grille perforations.
3. Install the module with the screws provided and press the grille in place.



Template Grille Baffle Frame
Included in Speaker Module Carton

Existing Construction

1. Cut the appropriate size opening in the wall using the template provided. Cutout dimensions are provided in the "Specification" section at the back of this manual. Sizes are minimum. If accuracy of cut (straightness/squareness) cannot be achieved, you may add 1/4" to each dimension. Be careful not to cut through any existing wiring or plumbing. Avoid compromising any fire stops between studs.

2. Run wiring to the wall opening(s). Be sure to comply with any codes that may apply in your area.
3. (a) If you want to paint the decorative frame and the wall together, insert the frame and attach with the dogs. DO NOT OVERTIGHTEN.
(b) If you will not be re-painting, you may immediately install the frame and speaker assembly. The frame's mounting dogs will "sandwich" the wall and frame together. The module is installed with the screws and the grille is pressed into place.

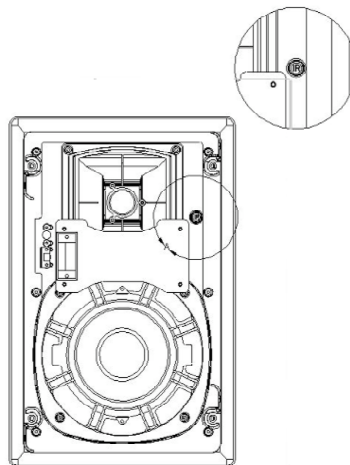
KHW-5 OPERATING CONTROLS

Tweeter Switch

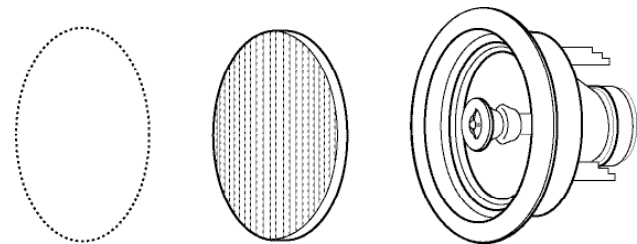
If installing in an acoustically bright room, such as some bathrooms and kitchens, you may want to adjust the tweeter level located on the front baffle. The position of this switch should always be checked prior to speaker module installation.

Infrared Sensor Mount

The KHW-5 features a 1/2" infrared sensor locator on the baffle. The location of the knock-out is shown below.



1. Cut the appropriate diameter circle using the hole template provided. Cutout dimensions are provided in the "Specification" section at the back of this manual. Sizes are minimum. If accuracy of cut (a perfect circle) cannot be achieved, you may add up to 1/4" to the radius. Be careful not to cut through any existing wiring or plumbing. Avoid compromising any fire stops between studs.
2. Run wiring to the ceiling opening(s). Be sure to comply with any codes that may apply in your area.
3. (a) If you want to paint the decorative frame and the ceiling together, insert the speaker assembly and attach with the dogs. DO NOT OVERTIGHTEN. Install the paint mask in place of the grille and paint.
(b) If you won't be re-painting, you may immediately install the speaker assembly. The frame's mounting dogs will "sandwich" the ceiling and frame together. The module is installed with the screws and the grille is pressed in place.



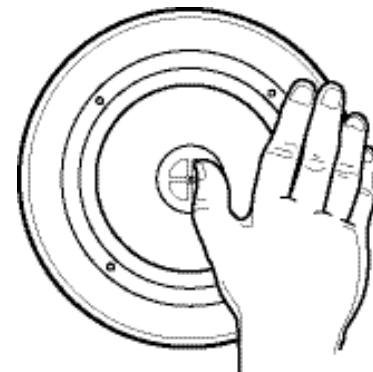
KHC-6 OPERATING CONTROLS

Tweeter Switch

If installing in an acoustically bright room, such as some bathrooms and kitchens, you may want to adjust the tweeter level located on the front baffle. The position of this switch should always be checked prior to speaker module installation.

Swivel Horn Tweeter

The Klipsch KHC-6 features a swivel tweeter to aim high frequency sound. To aim sound directly at the listening area, simply remove the grille, and gently adjust the horn to the desired angle. DO NOT ATTEMPT TO TURN THE TWEETER STEM WHILE ADJUSTING THE SWIVEL TWEETER.



KHC-6 SPEAKER PLACEMENT

Designed to function in any ceiling or drop ceiling, Klipsch in-ceiling speakers are engineered for years of performance. Minimum construction requirements call for drywall or other mounting surfaces to be at least 3/8" thick. In drop ceiling installations, typical "drop in" 2' x 4' and 1' x 1' ceiling tiles are composed of low density materials which can (a) visibly sag over time due to the weight of the speaker and (b) vibrate audibly, detracting from the overall sound quality. Klipsch recommends that in order to maximize the acoustic performance of your KHC-6 speakers you replace the original mounting panel with 1/2" to 3/4" plywood or medium density fiberboard (MDF).

IC SPEAKER INSTALLATION

Contents Description	Quantity
Speaker Modules	2
Grilles	2

Tools Required

- #2 Phillips Screwdriver
- Hole saw

KLIPSCH HOME SERIES SPECIFICATIONS



KHW-5



KHC-6

BANDWIDTH:	65Hz-20kHz±3dB	50Hz-20kHz±3dB
SENSITIVITY:	92dB SPL @ 1 watt/1 meter	92dB SPL @ 1 watt/1 meter
NORMAL IMPEDANCE:	8 ohms	8 ohms
POWER HANDLING:	50 watts (200 watts peak)	50 watts (200 watts peak)
ENCLOSURE TYPE:	Infinite baffle, front flush with wall	Infinite baffle, front flush with ceiling
DRIVE COMPONENTS:	One 1" (2.54cm) K-111-S aluminum dome horn tweeter and one 5.25" (13.34cm) K-1099-S woofer	One 1" (2.54cm) 360° rotating aluminum dome horn tweeter and one 6.5" (16.5cm) woofer
CROSSOVER FREQUENCY:	2.1kHz	2.1kHz
WIRE GAUGE ACCOMMODATED:	12	12
SPEAKER DIMENSIONS:	11.7" (29.7cm) x 7.8" (19.8cm)	9.25" (23.5cm)
CUTOUT DIMENSIONS:	10.75" (27.3cm) x 6.75" (17.1cm)	8.25" (20.9cm)
WEIGHT:	4 lbs. (1.8kg)	4 lbs. (1.8kg)



Klipsch Audio Technologies
 3502 Woodview Trace, Suite 200 • Indianapolis, Indiana 46268
 1-800-KLIPSCH www.klipsch.com

©2004 Klipsch, LLC, All Rights Reserved
 Specifications Subject to Engineering Changes

Klipsch Limited Warranty

KLIPSCH, L.L.C. ("KLIPSCH") warrants this product to be free from defects in materials and workmanship (subject to the terms set forth below). For a period of five (5) years from the date of purchase, KLIPSCH will repair or replace (at KLIPSCH's option) this product or any defective parts (excluding electronics and amplifiers) in this product. For products that have electronics or amplifiers, the warranty on those parts is for a period of two (2) years from the date of purchase.

To obtain warranty service, please contact the KLIPSCH authorized dealer from which you purchased this product. If your dealer is not equipped to perform the repair of your KLIPSCH product, it can be returned, freight paid, to KLIPSCH for repair. Please call KLIPSCH at 1-800-KLIPSCH for instructions. You will need to ship this product in either its original packaging or packaging affording an equal degree of protection.

Proof of purchase in the form of a bill of sale or receipted invoice, which is evidence that this product is within the warranty period, must be presented to obtain warranty service.

This Warranty is invalid if (a) the factory applied serial number has been altered or removed from this product or (b) this product was not purchased from a KLIPSCH authorized dealer. You may call 1-800-KLIPSCH to confirm that you have an unaltered serial number and/or you purchased from a KLIPSCH authorized dealer.

This Warranty does not cover cosmetic damage or damage due to acts of God, accident, misuse, abuse, negligence, commercial use, or modification of, or to any part of, the product. This Warranty does not cover damage due to improper operation, maintenance or installation, or attempted repair by anyone other than KLIPSCH or a KLIPSCH dealer which is authorized to do KLIPSCH warranty work. Any unauthorized repairs will void this Warranty. This Warranty does not cover products sold AS IS or WITH ALL FAULTS.

REPAIRS OR REPLACEMENTS AS PROVIDED UNDER THIS WARRANTY ARE THE EXCLUSIVE REMEDY OF THE CONSUMER. KLIPSCH SHALL NOT BE LIABLE FOR ANY INCIDENTAL OR CONSEQUENTIAL DAMAGES FOR BREACH OF ANY EXPRESS OR IMPLIED WARRANTY ON THIS PRODUCT. EXCEPT TO THE EXTENT PROHIBITED BY LAW, THIS WARRANTY IS EXCLUSIVE AND IN LIEU OF ALL OTHER EXPRESS AND IMPLIED WARRANTIES WHATSOEVER, INCLUDING BUT NOT LIMITED TO, THE WARRANTY OF MERCHANTABILITY AND FITNESS FOR A PRACTICAL PURPOSE.

Some states do not allow the exclusion or limitation of incidental or consequential damages or implied warranties so the above exclusions may not apply to you. This Warranty gives you specific legal rights, and you may have other rights which vary from state to state.

Cut along dotted line and mail.

For multiple speaker purchases, please fill out only one warranty card.

Name: _____

Street Address: _____

City/State/Zip: _____

Home Phone: _____

Work Phone: _____

E-mail Address: _____

Would you like to receive the latest product updates and news via e-mail? Yes No

Product Purchase

Model and serial number must be included to honor your warranty card. For multiple speaker purchases, please fill out only one warranty card.

Model	Serial Number
_____	_____
Model	Serial Number
_____	_____
Model	Serial Number
_____	_____
Model	Serial Number
_____	_____
Model	Serial Number
_____	_____
Model	Serial Number
_____	_____

What store did you purchase your Klipsch products from?

Store Name: _____

State: _____

How did you hear about Klipsch? Audio/Home Theater Magazine Other Magazine TV Radio Newspaper Trade Show
 Friend Retail Dealer Direct Mail Website Web Forum

Have you purchased Klipsch products before? Yes No

If yes, what products?

Product Name(s): _____

When do you hope to purchase additional loudspeakers? 6 mos. - 1 yr. 1-2 yrs.

How likely are you to consider Klipsch products for your upcoming purchases? Very likely Somewhat likely Doubtful

If doubtful, why? Don't carry product I'm looking for Too expensive Klipsch dealer too far away

Other _____

Please tell us about you!

Married Single Student Male Female

Age: 15-17 18-24 25-35 36-45 46-55 55-64 65+

Annual Household Income: Under \$25,000 \$25-35,000 \$35-50,000 \$75-100,000 \$100,000+



3502 Woodview Trace, Suite 200
Indianapolis, Indiana 46268
1-800-KLIPSCH • www.klipsch.com

Make sure you return your warranty card so that we may keep you up-to-date on new Klipsch products and promotions. As always, if you have any questions, contact your local authorized Klipsch dealer.

For your records:

Model

Serial Number

Date Purchased

Dealer Name

Klipsch Audio Technologies
3502 Woodview Trace, Suite 200
Indianapolis, IN 46268

Please
FIRST CLASS
Postage
Stamp Here

Free Manuals Download Website

<http://myh66.com>

<http://usermanuals.us>

<http://www.somanuals.com>

<http://www.4manuals.cc>

<http://www.manual-lib.com>

<http://www.404manual.com>

<http://www.luxmanual.com>

<http://aubethermostatmanual.com>

Golf course search by state

<http://golfingnear.com>

Email search by domain

<http://emailbydomain.com>

Auto manuals search

<http://auto.somanuals.com>

TV manuals search

<http://tv.somanuals.com>