

**Installation Guide**  
**16-port Dual-speed**  
**Ethernet / Fast Ethernet Hub**  
KF-16M, KF-16MS



P/N:750-0105-001  
DOC.980301-KF16M/16MS-K

© 1998 KTI Networks Inc. All rights reserved. No part of this documentation may be reproduced in any form or by any means or used to make any derivative work (such as translation or transformation) without permission from KTI Networks Inc.

KTI Networks Inc. reserves the right to revise this documentation and to make changes in content from time to time without obligation on the part of KTI Networks Inc. to provide notification of such revision or change.

For more information, contact:

**United States**

KTI Networks Inc.  
P.O. BOX 631008  
Houston, Texas 77263-1008

Phone: 713-2663891  
Fax: 713-2663893  
BBS: 713-2663015  
E-mail: [kti@ktinet.com](mailto:kti@ktinet.com)  
WWW: <http://www.ktinet.com/>

**International**

Fax: 886-2-26983873  
BBS: 886-2-26983913  
E-mail: [kti@ktinet.com.tw](mailto:kti@ktinet.com.tw)  
WWW: <http://www.ktinet.com/>

**16-port Dual-speed  
Ethernet / Fast Ethernet Hub**  

---

**Installation Guide**

DOC.980302-KF16M/16MS-NK  
P/N: 750-0105-002

The information contained in this document is subject to change without prior notice.  
Copyright © KTI. All Rights Reserved.

## TRADEMARKS

Ethernet is a registered trademark of Xerox Corp.

## WARNING:

This equipment has been tested and found to comply with the limits for a Class A digital device, pursuant to Part 15 of the FCC Rules. These limits are designed to provide reasonable protection against harmful interference when the equipment is operated in a commercial environment. This equipment generates, uses, and can radiate radio frequency energy and if not installed and used in accordance with the instruction manual may cause harmful interference in which case the user will be required to correct the interference at his own expense.

## NOTICE:

- (1) The changes or modifications not expressly approved by the party responsible for compliance could void the users authority to operate the equipment.
- (2) Shielded interface cables and AC power cord, if any, must be used in order to comply with the emission limits.

## CISPR A COMPLIANCE:

This device complies with EMC directive of the European Community and meets or exceeds the following technical standard.

EN 55022 - Limits and Methods of Measurement of Radio Interference Characteristics of Information Technology Equipment. This device complies with CISPR Class A.

WARNING: This is a Class A product. In a domestic environment this product may cause radio interference in which case the user may be required to take adequate measures.

## CE NOTICE

Marking by the symbol **CE** indicates compliance of this equipment to the EMC directive of the European Community. Such marking is indicative that this equipment meets or exceeds the following technical standards:

EN 55022: Limits and Methods of Measurement of Radio Interference characteristics of Information Technology Equipment.

EN 50082/1: Generic Immunity Standard -Part 1: Domestic Commercial and Light Industry.

EN 60555-2: Disturbances in supply systems caused by household appliances and similar electrical equipment - Part 2: Harmonics.

## Table of Contents

<b>1. Introduction .....</b>	<b>1</b>
1.1 Features .....	2
1.2 Dual-speed Hub Technology .....	3
1.3 Specifications .....	5
<b>2. Installing the Dual-speed Hub .....</b>	<b>6</b>
2.1 Packing List .....	6
2.2 Mounting the Hub .....	6
2.3 Front Panel and Rear Panel .....	8
2.4 Cascading Multiple Hubs .....	10
<b>3. Making Network Connections .....</b>	<b>12</b>
3.1 Dual-speed Twisted-pair Ports .....	12
3.2 Hub Stack Connection .....	16
<b>4. LED Indicators .....</b>	<b>17</b>
4.1 LED Panel .....	17
4.2 Interpretation .....	17

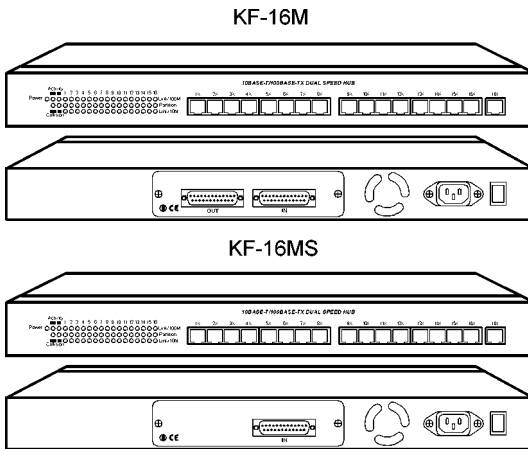
## Figures

1-1	Dual-speed Ethernet / Fast Ethernet Hub Unit .....	1
1-2	Dual-speed Hub Design .....	3
1-3	Dual-speed Hub with Built-in 10/100 Switch .....	4
2-1	Desktop Mounting .....	6
2-2	Install Rack Mount Brackets .....	7
2-3	Install the Hub into a 19-inch Rack .....	7
2-4	Components on the Front and Rear Panel .....	8
2-5	Cascading Two Hubs .....	10
2-6	Cascading Four Hubs in One Stack .....	11
2-7	A Hub Stack Containing one KF-16MS .....	11
3-1	Dual-speed TP Ports .....	12
3-2	Straight-through UTP and Crossover UTP .....	13
3-3	Connecting to Computers .....	14
3-4	Connecting to 10BASE-T Hubs .....	14
3-5	Connecting to a 100BASE-TX Class II Hub .....	15
3-6	Connecting Two Hub Stacks .....	16
3-14	Connecting Two Hub Stacks .....	16
4-1	LED Indicators .....	17

# 1. Introduction

---

This guide covers the product information and installation information for two dual speed Fast Ethernet hubs. One is KF-16M which provides 16 dual-speed twisted-pair (TP) ports. The other is KF-16MS which provides 16 dual-speed TP ports and one internal 10M-to-100M switch for bridging the 10Mbps network and 100M network in the hub.



**Figure 1-1 Dual-Speed Ethernet / Fast Ethernet Hub Units**

Both hubs comply with IEEE 802.3 and IEEE 802.3u repeater specifications. Both support 10Mbps and 100Mbps connectivity over UTP cabling in the same hub. All of the TP ports support auto-sensing function that allows the hub to detect the connection speed automatically. This features can protect your existing Ethernet investment without any rewiring and also provides a migration path for upgrading from 10Mbps to 100Mbps. Through the built-in 10M-to-100M switch, KF-16MS can bridge the Ethernet network and Fast Ethernet network together.

Both hubs also feature cascade connectors (two for KF-16M, one for KF-16MS) on the rear for cascading one hub to another in a hub stack. Up to four hubs can be cascaded in one stack. A hub stack can be treated as a single hub which gives a total of 64 dual-speed TP ports with only one hop count.

## 1.1 Features

The hub provides the following features:

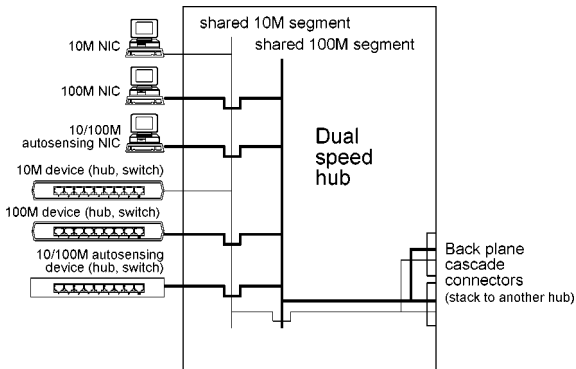
- Complies with IEEE 802.3 and IEEE 802.3u standard for Class II Fast Ethernet repeater
- Provides 16 fixed dual-speed TP ports. Each port can support either the Ethernet 10Mbps connection or a Fast Ethernet 100Mbps connection with auto-sensing the connection speed.
- The hub provides one uplink jack that allows easy linking of two hubs via straight-through UTP cable.
- The TP ports are implemented with auto partition and reconnecting function to protect the network from failure caused by consecutive collisions from a specific port.
- The jabber function is implemented to prevent reception of illegally long packet, which would degrade network performance.
- The internal 10M-to-100M switch in KF-16MS provides address learning, filtering, and packet forwarding functions to bridge the traffic between the Ethernet segment and the Fast Ethernet segment. **Only one KF-16MS is needed in a hub stack.**
- Each hub provides daisy-chain connection for cascading up to 4 hubs per stack with total of 64 TP ports. A hub stack may be composed of four KF-16M units or three KF-16M with one KF-16MS unit.
- Two hub stacks can be connected through a UTP cable as an expansion (up to 126 ports) is needed.
- The hub provides comprehensive LED indicators to indicate the hub status and port status.
- Desktop and 19-inch rack mountable



## 1.2 Dual-speed Hub Technology

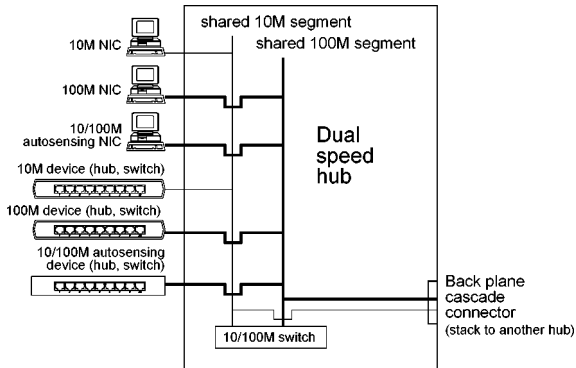
Dual-speed hub is designed to support connections with different speeds in the same hub. It makes a network planning simpler, especially when an environment is containing 10Mbps Ethernet and 100Mbps Fast Ethernet technologies. It also allows a smooth migration from an Ethernet network to a Fast Ethernet network.

A dual-speed hub is actually equipped with one 10Mbps repeater and one 100Mbps repeater in one hub unit. Each repeater serves one shared network segment. The repeater receives transmissions from any of its ports and retransmits them to all its other ports. The TP port of the hub can auto-sense the speed (10M or 100M) of its connection and switch to either 10Mbps shared segment or 100Mbps shared segment automatically. The internal design of a dual-speed hub, KF-16M, is illustrated as follows:



**Figure 1-2 Dual-speed Hub Design**

KF-16MS is equipped with an internal 10M-to-100M switch function to bridge the traffics between 10Mbps segment and 100Mbps segment as follows:



**Figure 1-3 Dual-speed Hub with Built-in 10/100 Switch**

The 10M-to-100M switch can perform packet forwarding from one segment to another at wire speed. It also performs the address filtering that only forwards those packets which need to cross 10M and 100M segments.

## 1.3 Specifications

<b>Standard</b>	IEEE 802.3 IEEE 802.3u Class II Repeater
<b>Network ports</b>	16 dual-speed TP ports with auto-sensing function
<b>Port connectors</b>	16 MDI-X RJ-45 shielded jacks 1 MDI-I RJ-45 shielded jack
<b>Cascade connectors</b>	2 DB25 connectors (KF-16M) 1 DB25 connector (KF-16MS)
<b>LED indicators</b>	Power 10M Link status per port 100M Link status per port Partition status per port 10M activity, 10M collision 100M activity, 100M collision
<b>Environment</b>	Temperature            5°C to 40°C Relative humidity    15% to 95% non-condensing
<b>Dimension</b>	440mm x 150mm x 44.4mm (17.3 x 5.9 x 1.75 inch)
<b>Power</b>	Internal universal power supply 100-240 VAC, 50/60Hz, 35W

## 2. Installing the Dual-speed Hub

---

The hub is designed to operate in workgroup environments without a complicated configuration procedure. It also features an auto-select 100-240V, 50/60Hz power supply unit, which works in most countries around the world.

Before connecting the supplied power cord into the hub, check to see that the cord voltage and current rating conform to the standards of the country of operation.

### 2.1 Packing List

The hub has the following components shipped with it:

- One hub unit
- One AC power cord
- One cascade cable
- 19-inch rack mount kit
- Installation guide

### 2.2 Mounting the Hub

#### Desktop Mounting

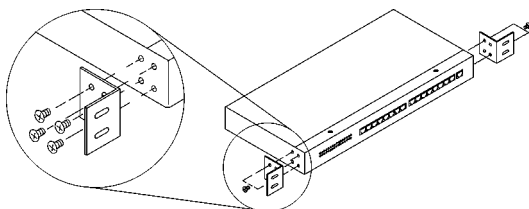
The hub can be placed on a desktop as a stand-alone unit. Allow enough ventilation space between the hub and the objects around it.



**Figure 2-1 Desktop Mounting**

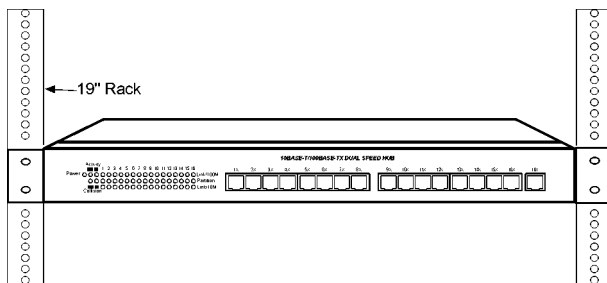
## Rack Mounting

For mounting the hub into a 19-inch rack, a pair of mounting brackets is included in the pack.



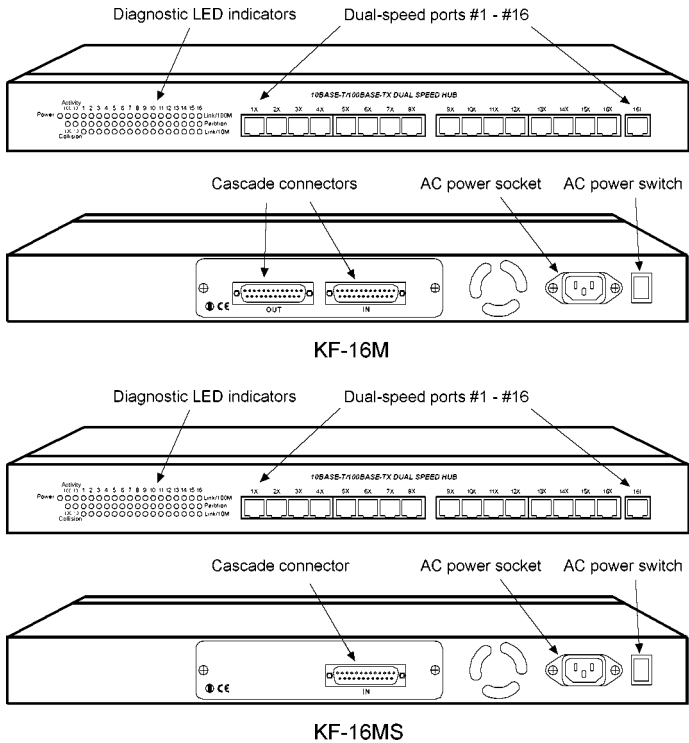
**Figure 2-2 Install Rack Mount Brackets**

Install the hub into a 19-inch rack as illustrated in the following figure:



**Figure 2-3 Install the Hub into a 19-inch Rack**

## 2.3 Front Panel and Rear Panel



**Figure 2-4 Components on the Front and Rear Panel**

- **1X - 16X RJ-45 Connectors**

MDI-X jacks for Port #1 - Port #16 respectively

- **16I RJ-45 Connector**

MDI-I jack for Port #16

- **Diagnostic LED indicators**

The indicators provide the operating status of the hub and the network ports. The status includes power, activity status for 10M segment, activity status for 100M segment, collision status for 10M segment, collision status for 100M segment, 10M link status per port, 100M link status per port, partition status per port.

- **Cascade Connectors**

The connectors are used for cascading more than one hub as a hub stack. The connectors are labeled **IN** and **OUT** respectively for KF-16M. KF-16MS provides **IN** cascade connector only.

- **AC Power Socket**

This socket is used for plugging an AC power cord.

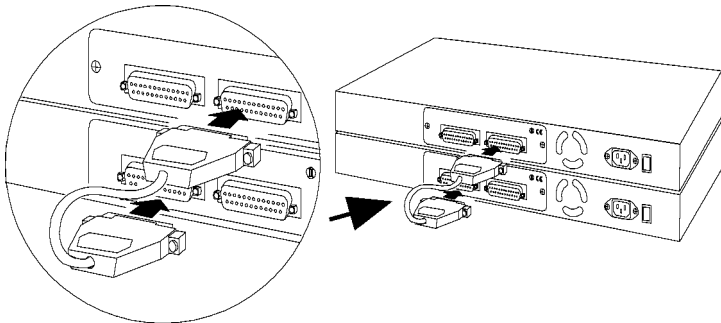
- **AC Power Switch**

This switch is used for turning the AC power to the hub unit on or off.

## 2.4 Cascading Multiple Hubs

More than one hub can be cascaded together to be a hub stack using the cascade cable supplied with the hub. Two cascade connectors are located on the rear of the hub and labeled **IN** and **OUT** respectively for KF-16M. For KF-16MS, only **IN** cascade connector is provided.

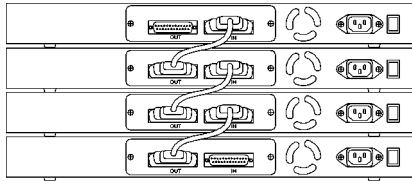
Before cascading hubs, make sure the power to the hubs is turned off. Connect one end of the cascade cable to the **IN** connector of the first hub and connect the other end to the **OUT** connector of the second hub as shown in the following figure:



**Figure 2-5 Cascading Two Hubs**

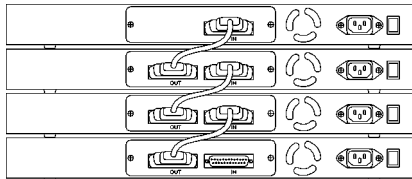


When cascading more than two hubs, follow the IN-to-OUT daisy-chain rule as above to cascade all hubs sequentially. Up to four hubs can be cascaded in a stack.



**Figure 2-6 Cascading Four Hubs in One Stack**

Only one KF-16MS is needed in one stack if a bridge is required to connect the 10M network and the 100M network in a hub stack.

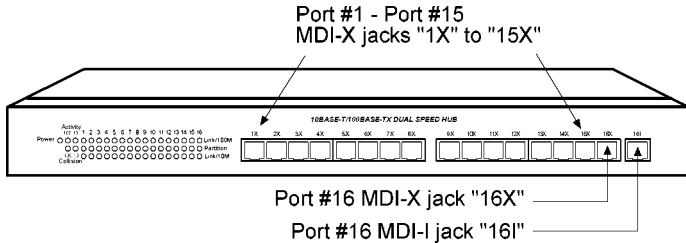


**Figure 2-7 A Hub Stack Containing one KF-16MS**

**NOTE:**  
**TO KEEP THE STACK FUNCTION WORKING, THE POWER OF ALL HUBS IN A STACK MUST BE ON DURING OPERATION.**

## 3. Making Network Connections

### 3.1 Dual-speed Twisted-pair Ports



**Figure 3-1 16 Dual-speed TP Ports**

The hub provides 16 dual-speed TP ports. Each can support one connection to either a 10BASE-T Ethernet device or a 100BASE-TX Fast Ethernet device using 2-pair UTP cable.

#### RJ-45 Connectors

Each of Port #1 to Port #15 provides one RJ-45 connector, which are implemented as MDI-X jack. An MDI-X jack is designed with internal crossover function. The function allows a connection to a computer using straight-through UTP cable. The Port #16 provides one MDI-X RJ-45 connector and one MDI-I RJ-45 connector. Only one connector can be used at the same time.

The pin definitions for MDI-X jack and MDI-I jack are as follows:

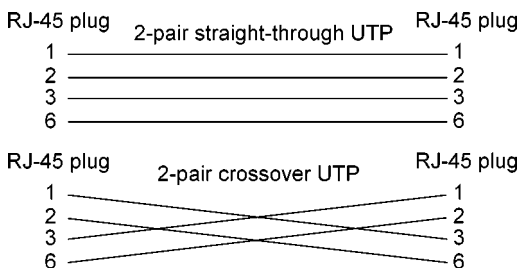
<u>PIN#</u>	<u>MDI-X Jack</u>	<u>MDI-I Jack</u>
1	Rx+	Tx+
2	Rx-	Tx-
3	Tx+	Rx+
6	Tx-	Rx-
4,5,7,8	NC	NC

## UTP Cables

For connecting to an 10BASE-T Ethernet device, a 2-pair Category 3, 4, or 5 UTP cable can be used. For connecting to a 100BASE-TX Fast Ethernet device, only 2-pair Category 5 UTP cable can be used.

<u>Connected Device</u>	<u>UTP Cable Used</u>
10BASE-T devices	Category 3, 4 or 5
100BASE-TX devices	Category 5 only

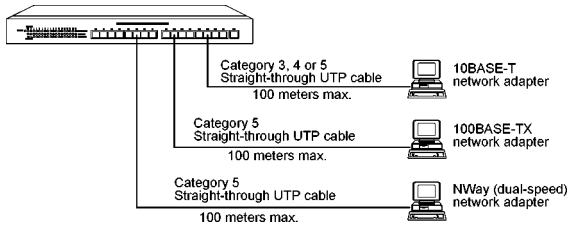
With different wiring, two types of the UTP cables are defined as follows:



**Figure 3-2 Straight-through UTP and Crossover UTP**

## Connecting to a Computer

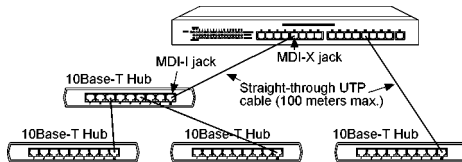
The RJ-45 connectors labeled **1X** to **16X** can be used for connecting to the network adapter installed in a computer. The network adapter can be a 10BASE-T adapter, a 100BASE-TX adapter, or a dual-speed NWay adapter. The following figure illustrates the cables used for connecting to different network adapters:



**Figure 3-3 Connecting to Computers**

## Connecting to 10BASE-T Hubs

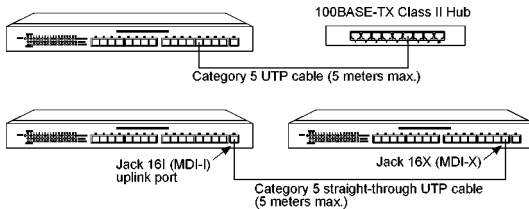
The hub can support more than one connection to the 10BASE-T hub. Make sure the MDI-X to MDI-I connection rule is followed when connecting to a 10BASE-T hub using a straight-through UTP cable. The following figure shows an example for the connections:



**Figure 3-4 Connecting to 10BASE-T Hubs**

## Connecting to a 100BASE-TX Hub

Since the KF-16M and KF-16MS hubs are designed to comply with IEEE 802.3u Class II repeater specifications, each hub can support one connection to another 100BASE-TX Class II hub only. It is recommended to preserve Port #16 as a uplink port for connecting to another hub (or a hub stack) via a UTP cable. The maximum distance is 5 meters apart.



Note: only one Class II hub connection is allowed per hub.

**Figure 3-5 Connecting to a 100BASE-TX Class II Hub**

## Connecting to a Switch

The hub can support connections to Ethernet switches or Fast Ethernet switches. Make sure the MDI-X to MDI-I connection rule is followed when using straight-through UTP cable. The following table lists the cable and the cable length allowed for the connections to different switch devices:

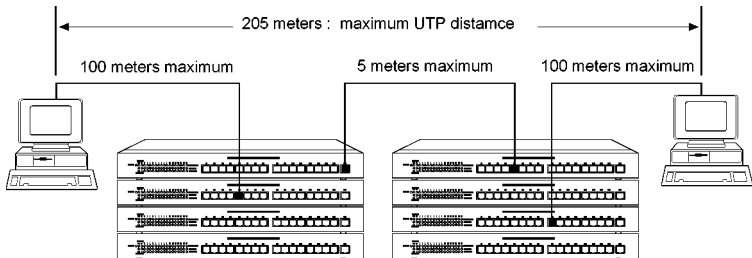
<b>Switch Connected</b>	<b>UTP cable used</b>	<b>Maximum length</b>
10BASE-T switch port	Category 3, 4 or 5	100 meters
100BASE-TX switch port	Category 5	100 meters
NWay switch port	Category 5	100 meters

### 3.2 Hub Stack Connection

A hub stack composed of multiple hubs (up to four) cascaded together as the instruction in section 2.4 can be treated as a single dual-speed hub which provides up to 64 dual-speed ports.

If interconnection of the 10M network and the 100M network is required, one and only one KF-16MS is needed to be installed in a hub stack to bridge the intertraffic between the 10M network and the 100M network.

A hub stack still complies with IEEE 802.3u Class II specifications. Only one connection to another Class II hub via UTP cable is allowed for a hub stack. The following figure illustrates the maximum network span containing two hub stacks:



**Figure 3-6 Connecting Two Hub Stacks**

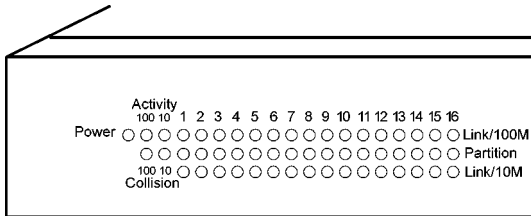
Two hub stacks are interconnected using a UTP cable between two hub ports. Each hub stack is composed of four hubs. Two end stations are located 205 meters apart from each other.

## 4. LED Indicators

---

### 4.1 LED Panel

The hub provides comprehensive LED indicators for diagnosing and monitoring the operation of the unit as illustrated below:



**Figure 4-1 LED Indicators**

### 4.2 Interpretation

**Power** LED indicates the status of the power supplied to the hub.

**Activity 10:** there are activities occurred on the shared 10M segment.

- Blink There are activities on the segment.
- Off No activity occurs on the segment.

**Activity 100:** there are activities occurred on the shared 100M segment.

- Blink There are activities on the segment.
- Off No activity occurs on the segment.

**Collision 10:** there are collisions occurred on the shared 10M segment.

- Blink There are collisions on the segment.
- Off No collision occurs on the segment.

**Collision 100:** there are collisions occurred on the shared 10M segment.

- Blink There are collisions on the segment.
- Off No collision occurs on the segment.

**10M Link:** The port has a good link to a 10M Ethernet device.

- On Good link to a 10M Ethernet device
- Off No active link to a 10M Ethernet device

**100M Link:** The port has a good link to a 100M Fast Ethernet device.

- On Good link to a 100M Fast Ethernet device
- Off No active link to a 100M Fast Ethernet device

**Partition:** The port is in partitioned state.

- On Port is in partitioned state.
- Off Port is not partitioned.



## Free Manuals Download Website

<http://myh66.com>

<http://usermanuals.us>

<http://www.somanuals.com>

<http://www.4manuals.cc>

<http://www.manual-lib.com>

<http://www.404manual.com>

<http://www.luxmanual.com>

<http://aubethermostatmanual.com>

Golf course search by state

<http://golfingnear.com>

Email search by domain

<http://emailbydomain.com>

Auto manuals search

<http://auto.somanuals.com>

TV manuals search

<http://tv.somanuals.com>