



# KGS-510F



## Web Smart 6-Port Gigabit Ethernet Switch with 1 mini-GBIC Port

### Product Highlights :

- Compact design
- Web management
- SFP Fiber support
- 802.1Q Tagged VLAN support
- QoS WFQ support
- Port link aggregation function
- Port mirroring function

### Key Features :

- Provides 5 10/100/1000Mbps Gigabit Ethernet ports and 1 SFP port
- Provides in-band web-based management interface
- All copper ports support auto-negotiation and auto-MDI/MDI-X detection
- Provides full wire speed forwarding
- Supports 802.3x flow control for full-duplex and backpressure for half-duplex
- Provides port status, statistic monitoring and control function
- Supports port-based and 802.1Q Tag-based VLAN
- Provides QoS function
- Provides port link aggregation (trunking) function
- Provides port mirroring function

### Specifications :

Standard	IEEE 802.3, 802.3u, 802.3ab, 802.3x, 802.1Q
Network Ports	5 10/100/1000Mbps Gigabit copper ports Shielded RJ-45, auto-negotiation, auto-MDI/MDI-X support 1 1000Mbps Gigabit fiber SFP port SFP supports standard SFP fiber transceiver installation
Network Cables	10/100Mbps : Cat.5 up to 100m, 1000Mbps : Cat.5e or higher up to 100m
MAC Address Table	8K entries
Buffer Memory	112KB
VLAN	Port based VLAN, 8021Q Tag-based VLAN
Port Link Aggregation	Trunking groups : 2 max., Ports/group : 2
QoS	4 priority queues, Classification : Port-based, 802.1p, IP DSCP
LED Indication	Per unit : power Per copper port : 1000M, 100M, 10M speed/link/activity status SFP port : 1000M speed/link/activity status, Optical link status
Management Support	Web browser software
Management Objects	System settings, port status/statistics, port control, VLAN, QoS, Link aggregation, port mirroring, Firmware upgrade
Environment	Operating temperature : 0°C ~40°C Storage temperature : -20°C ~85°C Humidity : 10%~90% non-condensing
Dimension	144 x 104.5 x 26 mm (WxDxH)
DC IN Jack	Rating +7.5V/1A, Consumption 3.6W max. @7.5V
Approval	FCC Class A, CE mark Class A



### Fiber Optical Specifications :

Model	Connector	Fiber	Wavelength	Tx Power	Rx Sensitivity	Rx Max.	Distance
-SX	LC	62.5/125 MMF 50/125 MMF	850nm	-9.5~ -4dBm	-18dBm	-1dBm	200m 500m
-LX	LC	MMF SMF	1310nm	-9.5~ -3dBm	-20dBm	-3dBm	550m 10km
-LX20	LC	SMF	1310nm	-7~ 0dBm	-24dBm	-3dBm	20km
-LX30	LC	SMF	1310nm	-4~ +3dBm	-23dBm	-3dBm	30km
-LX50	LC	SMF	1550nm	-4~ +1dBm	-23dBm	-3dBm	50km
-LX70	LC	SMF	1550nm	0~ +5dBm	-23dBm	-3dBm	70km
-W3510	Bi-Di LC	SMF	Tx 1310nm Rx 1550nm	-9~ -3dBm	-21dBm	-3dBm	10km
-W5310	Bi-Di LC	SMF	Tx 1550nm Rx 1310nm	-9~ -3dBm	-21dBm	-3dBm	10km
-W3520	Bi-Di LC	SMF	Tx 1310nm Rx 1550nm	-8~ -3dBm	-23dBm	-3dBm	20km
-W5320	Bi-Di LC	SMF	Tx 1550nm Rx 1310nm	-8~ -3dBm	-23dBm	-3dBm	20km
-W3410	Bi-Di LC	SMF	Tx 1310nm Rx 1490nm	-9~ -3dBm	-20dBm	-3dBm	10km
-W4310	Bi-Di LC	SMF	Tx 1490nm Rx 1310nm	-9~ -3dBm	-20dBm	-3dBm	10km
-W3410S	Bi-Di SC	SMF	Tx 1310nm Rx 1490nm	-9~ -3dBm	-20dBm	-3dBm	10km
-W4310S	Bi-Di SC	SMF	Tx 1490nm Rx 1310nm	-9~ -3dBm	-20dBm	-3dBm	10km



FCC Part 15, Class A  
CISPR 22 Class A

#### Katron Technologies Inc.

15F-7, No. 79, Sec. 1, Hsin Tai Wu Rd.,  
Hsi-chih, Taipei Hsien, Taiwan.  
Tel: 886-2-2698-3878  
Fax: 886-2-2698-3873  
E-mail: kti@ktinet.com.tw  
URL: http://www.ktinet.com.tw

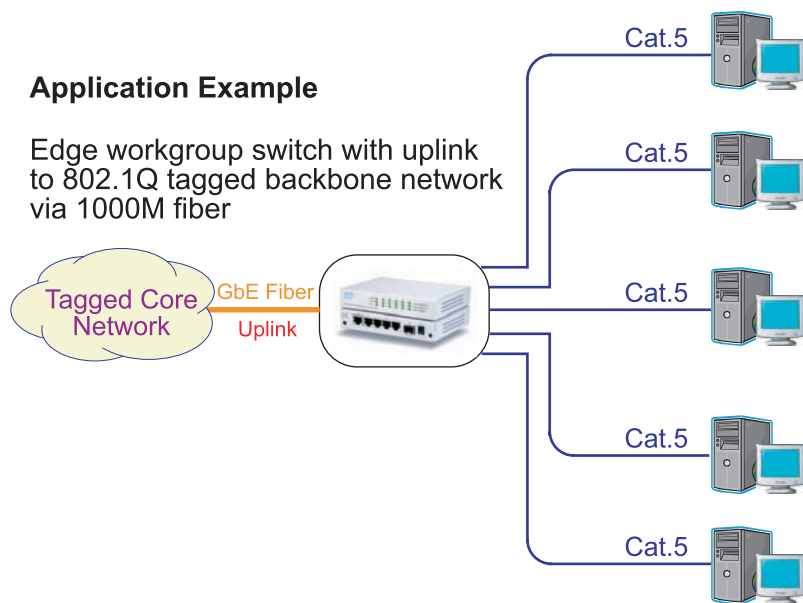
#### KTI Networks Inc.

7400 Harwin Dr., Suite 120 Houston,  
Texas 77036 U.S.A.  
Tel: 713-266-3891  
Fax: 713-914-0555  
E-mail: kti@ktinet.com  
URL: http://www.ktinet.com

Trademarks: All brand names are trademarks or registered trademarks of their respective holders.  
This information is subject to change without prior notice.

#### Application Example

Edge workgroup switch with uplink to 802.1Q tagged backbone network via 1000M fiber



## Free Manuals Download Website

<http://myh66.com>

<http://usermanuals.us>

<http://www.somanuals.com>

<http://www.4manuals.cc>

<http://www.manual-lib.com>

<http://www.404manual.com>

<http://www.luxmanual.com>

<http://aubethermostatmanual.com>

Golf course search by state

<http://golfingnear.com>

Email search by domain

<http://emailbydomain.com>

Auto manuals search

<http://auto.somanuals.com>

TV manuals search

<http://tv.somanuals.com>