



KWC GASTRO

**Model number:**

K.24.41.61.[---]C28 10 1/2" Reach

Deck mounted, single hole, two handle mixer with swivel spout and pre-rinse spray

Available in:

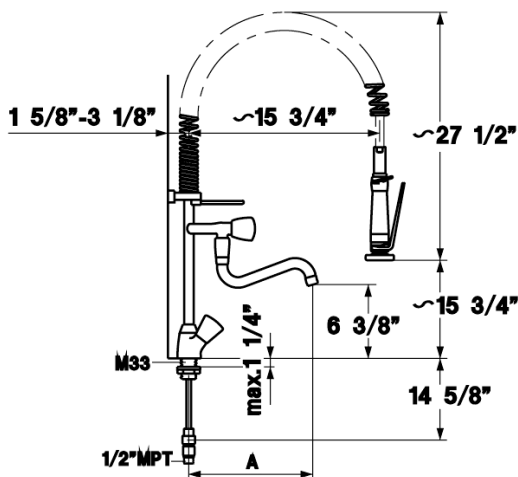
[000] All chrome

Measurements:

A= 10 1/2"

Features:

- Durable, solid, low-lead brass construction
- Superior chrome plated finish
- Removable chrome plated metal handles (anti-theft device available: Z.200.162)
- Full-turn, flat valves, M20 x 1.25
- Stainless steel valve seats
- 180° swivel spout with 1/2" jet regulator nozzle
- Pre-rinse spray with integrated delayed closing device to minimize water hammer
- Integrated check valves
- 10 mm OD copper supply lines with 1/2" MPT adapter
- Mounting hole size $\varnothing = 1 \frac{3}{8}$ "
- Commercial flow rate: 8 gpm @ 60 psi with jet regulator at spout
- Commercial flow rate: 6 gpm @ 60 psi at pre-rinse spray



Free Manuals Download Website

<http://myh66.com>

<http://usermanuals.us>

<http://www.somanuals.com>

<http://www.4manuals.cc>

<http://www.manual-lib.com>

<http://www.404manual.com>

<http://www.luxmanual.com>

<http://aubethermostatmanual.com>

Golf course search by state

<http://golfingnear.com>

Email search by domain

<http://emailbydomain.com>

Auto manuals search

<http://auto.somanuals.com>

TV manuals search

<http://tv.somanuals.com>