

The Standard KWC Product
Warranty applies.

Keep this leaflet for
future reference.

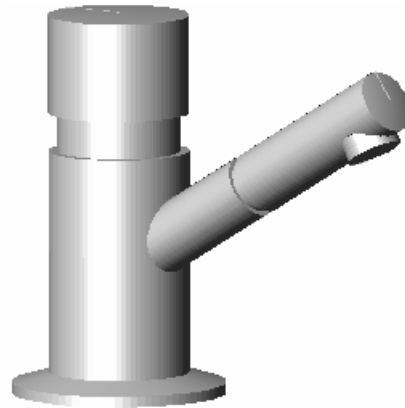
KWC

ARMATUREN
ROBINETTERIE
RUBINETTERIA
GRIFERIA
FAUCETS

KWC

ARMATUREN
ROBINETTERIE
RUBINETTERIA
GRIFERIA
FAUCETS

SUPRIMO LIQUID SOAP AND LOTION DISPENSER



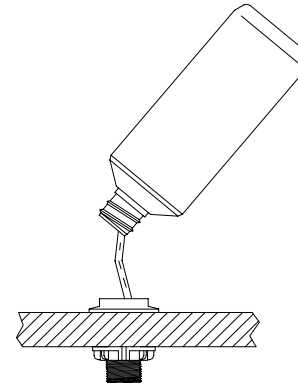
Z.534.171.000 – CHROME
Z.534.171.121 – BRUSHED NICKEL
Z.534.171.700 – STAINLESS STEEL
Z.534.171.734 – SS/BLUE
Z.534.171.736 – SS/MATT-BLACK

AN HYGIENIC AND ATTRACTIVE
DISPENSER FOR SINKS, LAVATORIES AND
COUNTERTOPS. IT IS EASILY INSTALLED
WITH CONVENIENT TOP FILL.

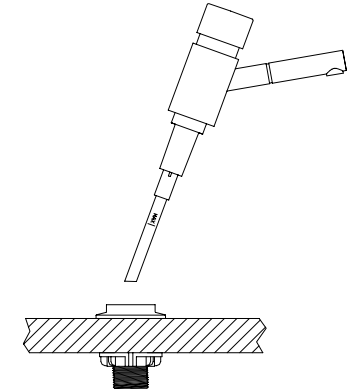
Patent Applied For

Installation Instructions

1. Either use an existing hole in the sink, lavatory or countertop, or prepare one specially. It should have a diameter between 25mm and 35mm (1" and 1 3/8"). The center of the hole should not be more than 100mm (4") from the inside edge of the sink. The maximum thickness of the surface should not exceed 50mm (2").
2. Pass the CONNECTOR down through the hole from above with the WASHER immediately above the surface. Screw the NUT onto the CONNECTOR beneath the surface and tighten – hand tight is sufficient. If sink or countertop is not sufficiently thick to allow NUT to tighten, use large spacer washer provided positioned between NUT and underside of surface.
3. Connect the bottle onto the lower end of the CONNECTOR by passing the 4 lugs inside the bottle neck. Push the BOTTLE firmly upwards until it clicks into position.
4. The PUMP UNIT will already be assembled within the BODY. Push the TUBE into the lower end of the PUMP.
5. Fill the BOTTLE through the CONNECTOR as shown below (a) (the BOTTLE holds 15 fl. Oz. And should not be overfilled), then place the assembled BODY, PUMP UNIT and TUBE into the CONNECTOR as shown below (b).



a) Fill the bottle through the connector.

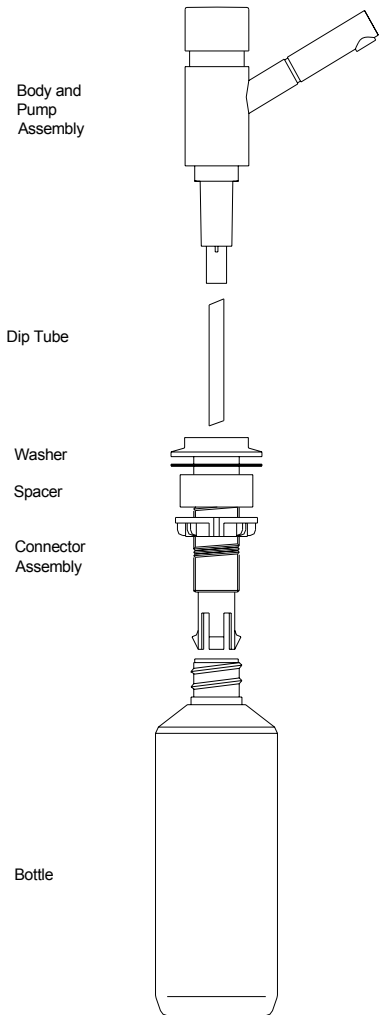


(b) Insert the body, pump unit and tube.

KWC FAUCETS INC.
1770 CORPORATE Dr.#580
NORCROSS,
GEORGIA 30093
USA
Tel: 678-334-2121.
Fax: 678-334-2128.

KWC AG.
CH-5726
UNTERKLUM,
SWITZERLAND.
Tel: 062-768-68-68.
Fax: 062-768-61-62.

Components



Operation

The pump is worked by a single full movement; by pressing the dispenser head downwards a 1/30 fl. Oz. of liquid will be expelled. When first used it may be necessary to prime the pump with several movements.

Note: This dispenser is NOT designed for use with soaps which contain suspended particles. If these soaps are used it will affect the working parts of the dispenser and will negate the warranty.

Trouble Shooting

Symptom

No Soap is expelled when Dispenser HEAD pressed

Cause

PUMP not primed

Cure

Prime PUMP with several movements

Soap BOTTLE Empty

Refill Bottle

Soap Congealed in PUMP (Likely if dispenser has not been used for a number of weeks)

Lift DISPENSER BODY from CONNECTOR and run hot water thro' tube while operating PUMP

Hole in end of FLEXIBLE TUBE not in line with SPOUT

Realign hole using a needle

FLEXIBLE TUBE is broken. (Soap seen to leak from body)

Contact Distributor

PUMP is difficult to move

Soap Congealed in PUMP (Likely if dispenser has not been used for a number of weeks)

Lift DISPENSER BODY from CONNECTOR and run hot water thro' tube while operating PUMP

PUMP is damaged

Replace PUMP (see Service Section)

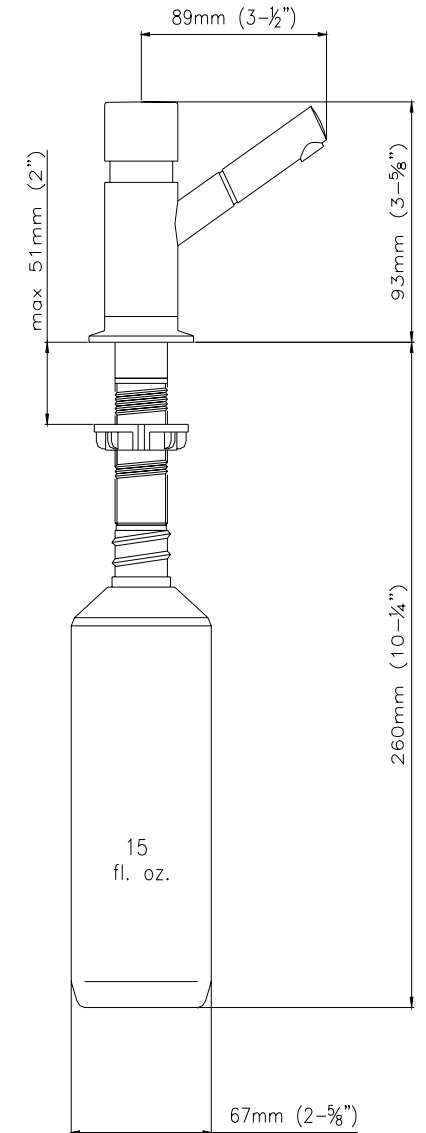
Service

It is unlikely that any components will fail in normal use, but should it be necessary, parts are replaceable in the assemblies illustrated and are available from your local KWC DISTRIBUTOR. Before attempting to replace any parts it is **important** the instructions below are read and understood.

PUMP replacement

1. To replace the PUMP firstly remove assembled BODY, PUMP unit from the CONNECTOR.
2. Remove the TUBE from the base of the pump by holding BODY,PUMP unit firmly and pulling TUBE.
3. Unscrew the 3 screws securing the BOTTOM LOCATING RING to the body and pull the ring away.
4. Again holding the BODY firmly, remove the PUMP by pulling it from the internal PLUNGER.
5. Insert new PUMP by pushing it into the PLUNGER. It is important that the PUMP is pushed fully home otherwise the dispensing action will be impaired and/or leakage may occur.
6. Replace the BOTTOM LOCATING RING and secure with the SCREWS, take care not to over tighten, then push TUBE back into PUMP and lower assembled UNIT into CONNECTOR.

Failure to follow above instruction will cause damage to the internal flexible tube.



WE RESERVE THE RIGHT TO CHANGE PRODUCT AND SPECIFICATIONS WITHOUT PRIOR NOTICE

Free Manuals Download Website

<http://myh66.com>

<http://usermanuals.us>

<http://www.somanuals.com>

<http://www.4manuals.cc>

<http://www.manual-lib.com>

<http://www.404manual.com>

<http://www.luxmanual.com>

<http://aubethermostatmanual.com>

Golf course search by state

<http://golfingnear.com>

Email search by domain

<http://emailbydomain.com>

Auto manuals search

<http://auto.somanuals.com>

TV manuals search

<http://tv.somanuals.com>