

**WT-2171**

**Radio-controlled  
Travel Alarm Clock**



**LA CROSSE** *tools and technology*  
**TECHNOLOGY** *for home and office*

<b>Topic</b>	<b>Page</b>
Inventory of Contents	3
About WWVB	3
Program Mode	
Initial Set-up	3
Time Zone and DST Setting	4
Display Mode Setting	4
Setting the Alarm	4
Operating the Alarm	5
Manual Time Setting Option	5
Troubleshooting	5
Maintenance and Care	5-6
Specifications	6
Warranty Information	6-7

## INVENTORY OF CONTENTS

1. The travel alarm
2. Instruction manual
3. Warranty card

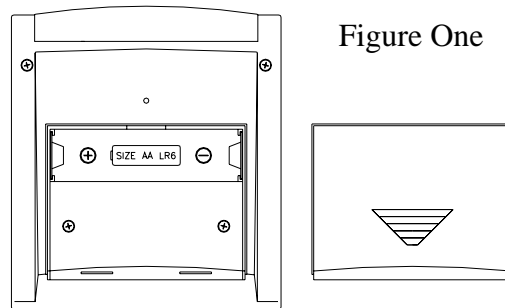
## ABOUT RADIO-CONTROLLED TIME - WWVB

The NIST (National Institute of Standards and Technology—Time and Frequency Division) WWVB radio station is located in Ft. Collins, Colorado, and transmits the exact time and date signal continuously throughout the United States at 60 kHz. The signal can be received up to 2,000 miles away through the internal antenna in the alarm clock. Due to the nature of the Earth's Ionosphere, reception is very limited during daylight hours. The alarm clock will search for a signal every night when reception is best. The WWVB radio station derives its signal from the NIST Atomic clock in Boulder, Colorado. A team of atomic physicists is continually measuring every second, of every day, to an accuracy of ten billionths of a second per day. These physicists have created an international standard, measuring a second as 9,192,631,770 vibrations of a Cesium-133 atom in a vacuum. More information on the atomic clock and WWVB can be found at [www.nist.gov](http://www.nist.gov).

## PROGRAM MODE

Following is a list of steps to set up your new La Crosse Technology travel alarm clock.

- Please begin by removing the battery cover on the rear of the travel alarm shown in figure one.
- Next insert one AA alkaline battery into the battery compartment making sure to observe the correct polarity.
- When inserting the battery be sure not to press any of the buttons on the travel alarm as this will interrupt the WWVB search and may cause the travel alarm to not pick up the radio-controlled time signal.
- Now replace the battery cover and face the travel alarm with the back of the unit towards Colorado (this has been found to help the unit pick up the WWVB signal).
- When the WWVB signal is received a tower icon will appear on the left side of the LCD display.



NOTE: Due to the nature of the WWVB signal it may take overnight for the travel alarm to receive the signal and set. Adverse weather conditions may also affect the travel alarms' ability to receive the signal. In some cases it may take several nights for the travel alarm to set.

## Time Zone and DST (Daylight Saving Time) Setting

You can manually set the time zone and the DST option on your travel alarm by pressing and holding the “MODE/MIN” button (figure two) on the front of your travel alarm for 4 seconds. The time zone will appear flashing in the LCD

You can select from four U.S. time zones (Eastern, Central, Mountain and Pacific) on your travel alarm. The time zones are abbreviated with three letters as follows:

Eastern	EST
Central	CST
Mountain	MST
Pacific	PST

You can select whether or not your alarm recognizes the daylight saving time changes twice a year and automatically changes. Some areas do not change time for daylight saving time (Arizona and parts of Indiana). The default (factory) setting is daylight saving time on.

- Press and release the “AL/HR” button to select the desired time zone.
- The time zone abbreviation will appear in the LCD.
- “DST” will be displayed to the left of the time zone abbreviation.
- Press and release the “MODE/MIN” button to toggle between daylight saving time on and off.
- Press and release the “Snooze” button twice to return the normal display mode or wait 20 seconds and the travel alarm will time out and automatically return to the normal display mode.



## Display Mode Setting

The display below the time can be switched between showing the seconds and the alarm time. To switch between these two modes press and release the “MODE/MIN” button.

## Setting the Alarm

To set the alarm press and hold the “AL/HR” button for 4 seconds.

- The alarm time will flash in the bottom left of the LCD screen.
- Press and release the “AL/HR” button to advance to the desired hour.
- Press and release the “MODE/MIN” button to advance to the desired minute.
- Press and release the “Snooze” button twice to return to the normal display mode or wait 20 seconds and the travel alarm will time out and automatically return to the normal display mode.

## Operating the Alarm

To turn the alarm on press and release the “AL/HR” button. The alarm icon ((●)) will be displayed in the lower right of the LCD to indicate that the alarm has been turned on.

The alarm will sound for 100 seconds once activated. By pressing the snooze button the alarm will be suspended for 8 minutes.

## Manual Time Setting Option

You can also manually set the time on your travel alarm by pressing and holding the “MODE/MIN” button (figure two) on the front of your travel alarm for 4 seconds.

- The time zone abbreviation will appear in the LCD.
- Press and release the “Snooze” button once.
- The time will now flash in the LCD.
- Press and release the “AL/HR” button to advance the hours.
- Press and release the “MODE/MIN” button to advance the minutes.
- Press and release the “Snooze” button twice to return the normal display mode or wait 20 seconds and the travel alarm will automatically return to the normal display mode.

## TROUBLESHOOTING

**NOTE:** For problems not solved, please contact La Crosse Technology via e-mail or phone, or visit our website, [www.lacrossetechnology.com](http://www.lacrossetechnology.com)

**Problem:** The time and date will not set initially.

**Solution:** It usually takes overnight before the clock can receive the signal due to the interference the sun has on the WWVB signal. Wait overnight for the signal.

**Solution:** Computer monitors and televisions can cause interference with the signal reception. Please keep the clock at least six feet from electrical sources.

**Solution:** In some areas of the US, in particular on the East and West coasts, the signal is very weak. It may take up to 72 hours before a good signal is received. The reception can be helped by placing the clock in a window facing Colorado, with the back towards Colorado.

## MAINTENANCE AND CARE INSTRUCTIONS

- Extreme temperatures, vibration, and shock should be avoided to prevent damage to the unit.
- Clean displays and units with a soft, damp cloth. Do not use solvents or scouring agents; they may mark the displays and casings.
- Do not submerge in water.
- Do not subject the units to unnecessary heat or cold by placing them in the oven or freezer.

- Opening the casings invalidates the warranty. Do not try to repair the unit. Contact La Crosse Technology repairs.

## **SPECIFICATIONS**

Dimensions: (L x W x H)	3" x 2" x 3.5" (76x 50 x 89 mm)
Battery	One AA Alkaline Battery
Battery life	Approximately 1 year

## **WARRANTY INFORMATION**

La Crosse Technology provides a 1-year warranty on this travel alarm. Contact La Crosse Technology immediately upon discovery of any defects covered by this warranty.

Before sending the travel alarm in for repairs, please contact La Crosse Technology. The travel alarm will be repaired or replaced with the same or similar a similar model.

This warranty does not cover any defects resulting from improper use, unauthorized repairs, faulty batteries, or the travel alarms' inability to receive a signal due to any source of interference.

**LA CROSSE TECHNOLOGY WILL NOT ASSUME LIABILITY FOR INCIDENTAL, CONSEQUENTIAL, PUNITIVE, OR OTHER SIMILAR DAMAGES ASSOCIATED WITH THE OPERATION OR MALFUNCTION OF THIS TRAVEL ALARM. THIS PRODUCT IS NOT TO BE USED FOR MEDICAL PURPOSES OR FOR PUBLIC INFORMATION. THIS PRODUCT IS NOT A TOY. KEEP OUT OF CHILDREN'S REACH.**

This warranty gives you specific legal rights. You may also have other rights specific to your State. Some States do not allow the exclusion of consequential or incidental damages therefore the above exclusion of limitation may not apply to you.

For warranty work, technical support, or information, contact La Crosse Technology at:

La Crosse Technology, Ltd  
2809 Losey Blvd. S.  
La Crosse, WI 54601  
Phone: 608.782.1610  
Fax: 608.796.1020

e-mail:

[support@lacrosstechnology.com](mailto:support@lacrosstechnology.com)  
(warranty work)

[sales@lacrosstechnology.com](mailto:sales@lacrosstechnology.com)  
(information on other products)

web:

[www.lacrosstechnology.com](http://www.lacrosstechnology.com)

**FCC ID: OMO-01RX**

**THIS DEVICE COMPLIES WITH PART 15 OF THE FCC RULES. OPERATION IS SUBJECT TO THE FOLLOWING TWO CONDITIONS:**

- 1. THIS DEVICE MAY NOT CAUSE HARMFUL INTERFERENCE, AND**
- 2. THIS DEVICE MUST ACCEPT INTERFERENCE RECEIVED, INCLUDING INTERFERENCE THAT MAY CAUSE UNDESIRED OPERATION.**

V2

## Free Manuals Download Website

<http://myh66.com>

<http://usermanuals.us>

<http://www.somanuals.com>

<http://www.4manuals.cc>

<http://www.manual-lib.com>

<http://www.404manual.com>

<http://www.luxmanual.com>

<http://aubethermostatmanual.com>

Golf course search by state

<http://golfingnear.com>

Email search by domain

<http://emailbydomain.com>

Auto manuals search

<http://auto.somanuals.com>

TV manuals search

<http://tv.somanuals.com>