

Electric Lift Actuator For Food Plot Seeder



For Model FPS48 Plot Ranger

Manual No. 322-121M

Before You Start



When you see this symbol, the subsequent instructions and warnings are serious - follow without exception. Your life and the lives of others depend on it!

IMPORTANT: Before you begin, read these instructions and check to be sure all parts and tools are accounted for. Please retain these installation instructions for future reference and parts ordering information.

Your Land Pride Electric Actuator is exclusively designed for your Land Pride FPS48 Food Plot Seeder. Please read these installation instructions and the Food Plot Seeder Operator's Manual thoroughly before beginning. Especially read information relating to safety concerns. Also included in the Operator's Manual is important information on operation, adjustment, troubleshooting, and maintenance for this attachment (some manual sections do not apply to all accessories).

A separate Parts Manual for replacement parts can be purchased from your dealer or available free of charge at www.landpride.com. Have model and serial numbers handy when placing an order.

Manual Part Numbers:

- Operator's Manual 322-118M
- Parts Manual 322-118P

General Information

These assembly instructions apply to the following Electric Actuator Accessories listed below:

322-119A ELECTRIC LIFT ACTUATOR PACKAGE

Tools required:

- Safety Glasses
- Work Gloves

Assembly Instructions

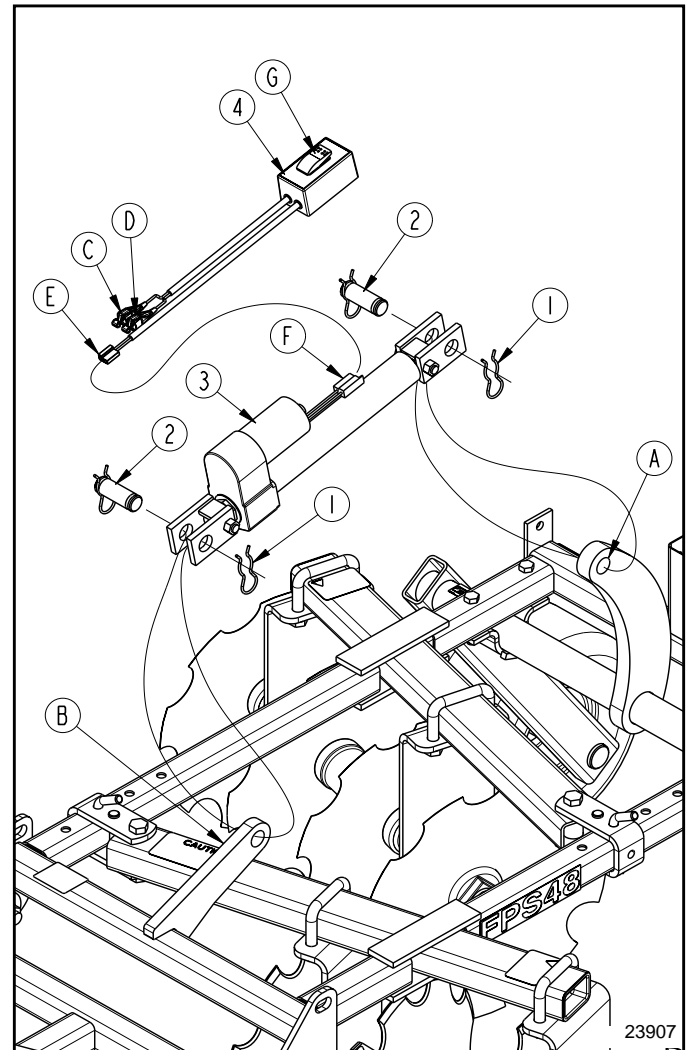
A detailed listing of parts for the accessory kit is provided on page 3. Use the list as a checklist to inventory parts received. Please contact your local Land Pride dealer for any missing hardware.

Linear Actuator Installation

Refer to Figure 1-1:

1. Park the Food Plot Seeder on a flat level surface.

2. Adjust ratchet jack to lower the FPS48 disc gangs onto the ground until all pressure is removed from the clevis pins. Remove ratchet jack from the seeder.
3. Attach lower end of linear actuator (#3) to the front mounting lug (B) with hitch pin (#2). Secure in place with hair pin clip (#1).
4. Attach hand controller (#4) to the linear actuator by plugging connector (E) into connector (F).



Linear Actuator Assembly ()

Figure 1-1

Refer to Figure 1-2 on page 2:



CAUTION

Make sure all electrical wiring is supported in such a way that it will not come in contact with trash, lift mechanism, rotating discs, pinch points, vehicle rotating components, hot exhaust components, etc.

Assembly Instructions

NOTE: Ties (#5) may be used to help secure the electrical wiring. If they are used, attach them loosely or out of material that can be removed to allow removal of electrical components for dry storage.

5. Wrap electrical wiring around one of the tie down straps and along the hitch frame as shown in Figure 1-2.

Refer to Figure 1-1 on page 1:

6. Attach white wire alligator clip (D) to the positive (+) battery post.
7. Attach black wire alligator clip (C) to the negative (-) battery post.



CAUTION

Extending and retracting the actuator creates pinch point hazards. Keep fingers, hands and all extremities clear of all moving parts when operating toggle switch (G).

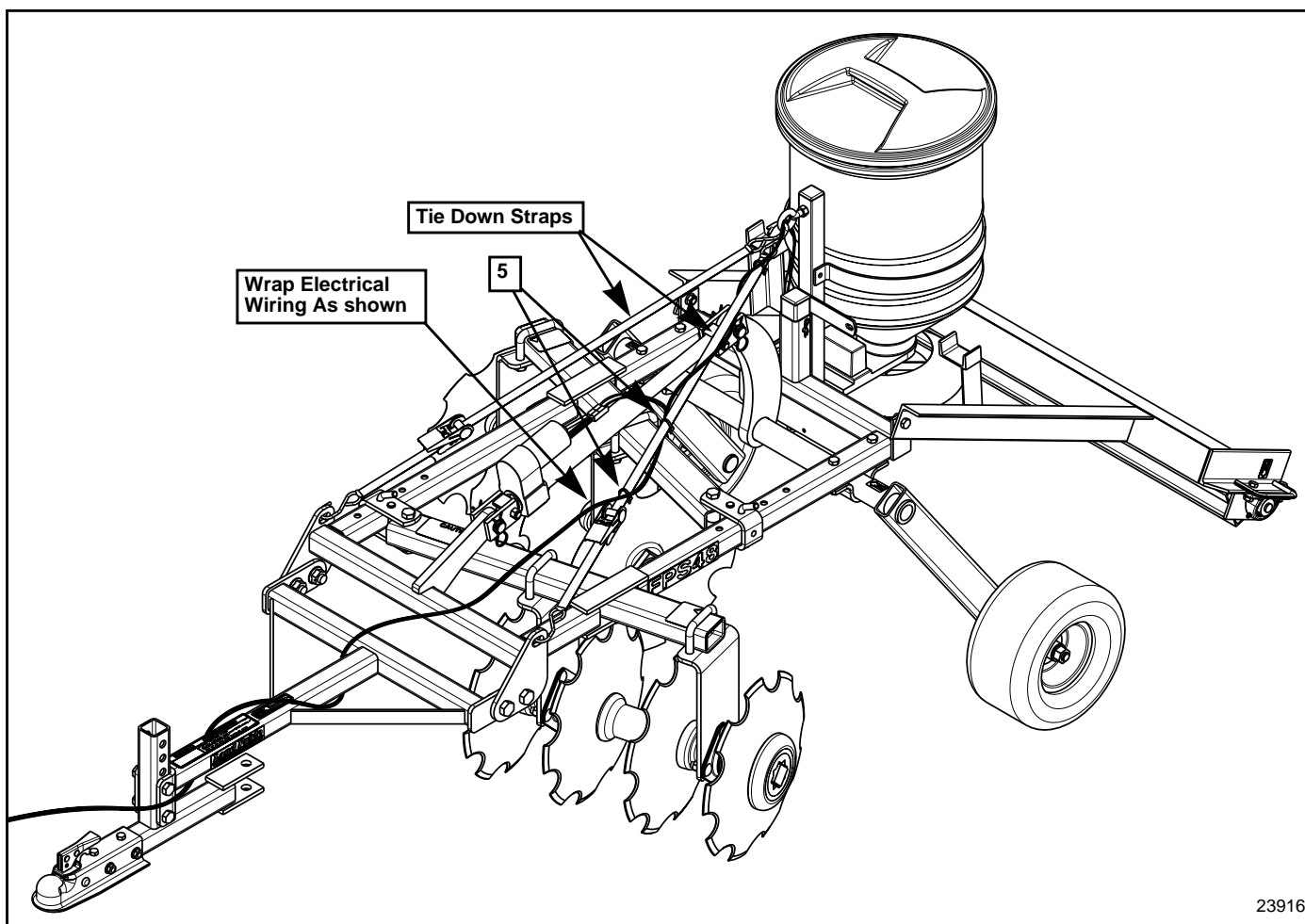
8. Operate toggle switch (G) to move upper clevis end of actuator until it aligns with the rear axle adjusting lug hole (A).
9. Attach upper end of Linear Actuator (#3) to the rear axle adjusting lug hole with hitch pin (#2) and secure with hair pin clip (#1).
10. Operate the toggle switch at the control box to raise and lower the disc gangs.

Unhooking the Electric Actuator

Refer to Figure 1-1 on page 1:

1. Unplug the connector at the actuator.
2. Disconnect the black wire alligator clip from the negative (-) battery post.
3. Disconnect the white wire alligator clip from the positive (+) battery post.
4. Unhitch Electric Actuator from vehicle.

IMPORTANT: Protect actuator controller from moisture by storing it in a dry location.



23916

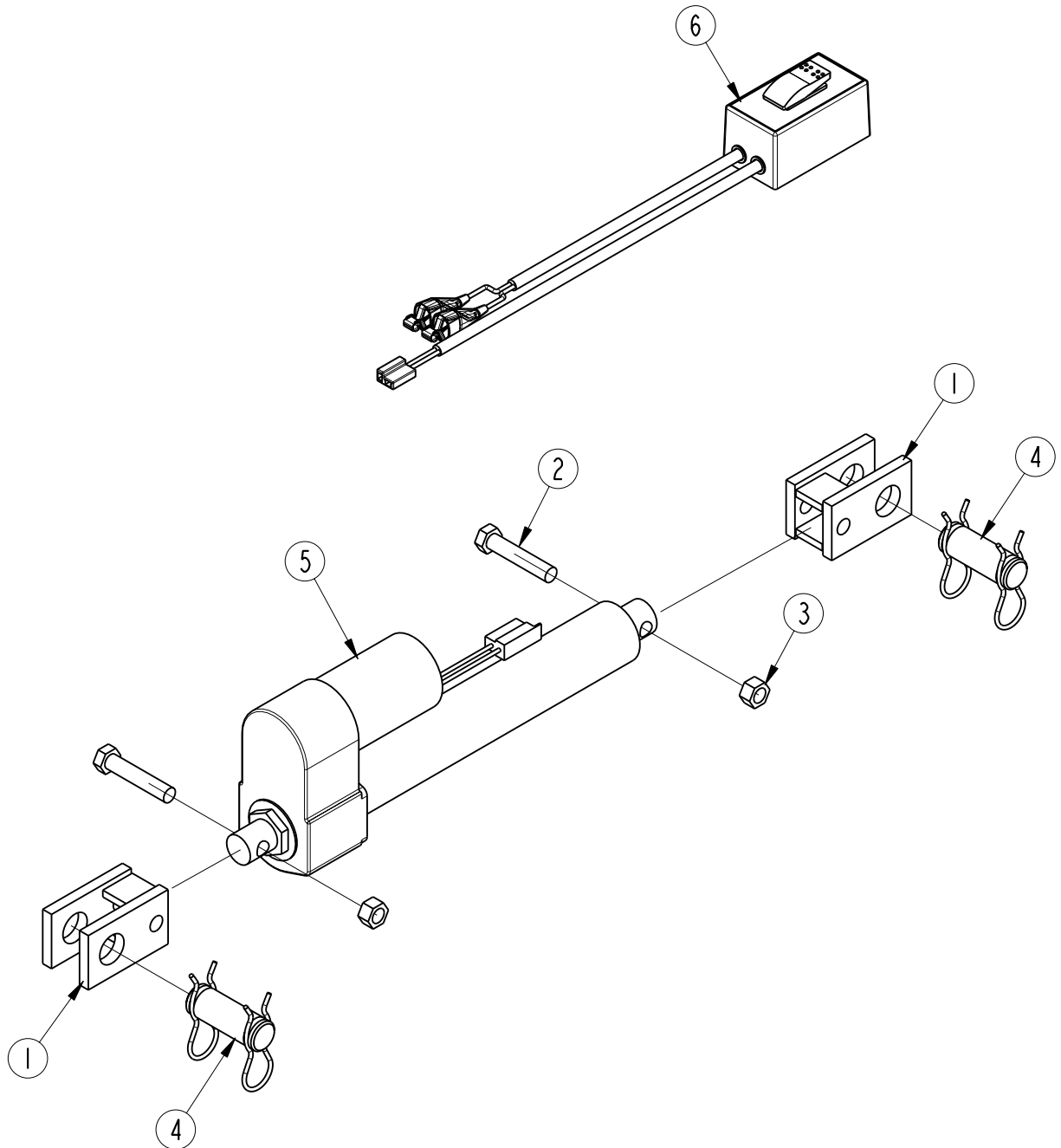
Electric Actuator Assembly
Figure 1-2

Listing of Parts

Kit No. 322-119A

ELECTRIC LIFT ACTUATOR PACKAGE

Item	Qty.	Part No.	Part Description
1	2	322-109H	CYLINDER ADAPTER WELDMENT
2	2	802-130C	HHCS 1/2-13X2 1/2 GR5
3	2	803-019C	NUT LOCK 1/2-13 PLT
4	2	805-012C	PIN CLEVIS 1 X 2 1/8 USABLE LG
5	1	833-318C	ELECT. LINEAR ACTUATOR 8" STRK
6	1	833-402C	WIRING HARNESS W/SWITCH
Not Shown	1	322-121M	MANUAL, ELECT. LIFT INSTRUCT.





Corporate Office: P.O. Box 5060
Salina, Kansas 67402-5060 USA
www.landpride.com

Free Manuals Download Website

<http://myh66.com>

<http://usermanuals.us>

<http://www.somanuals.com>

<http://www.4manuals.cc>

<http://www.manual-lib.com>

<http://www.404manual.com>

<http://www.luxmanual.com>

<http://aubethermostatmanual.com>

Golf course search by state

<http://golfingnear.com>

Email search by domain

<http://emailbydomain.com>

Auto manuals search

<http://auto.somanuals.com>

TV manuals search

<http://tv.somanuals.com>