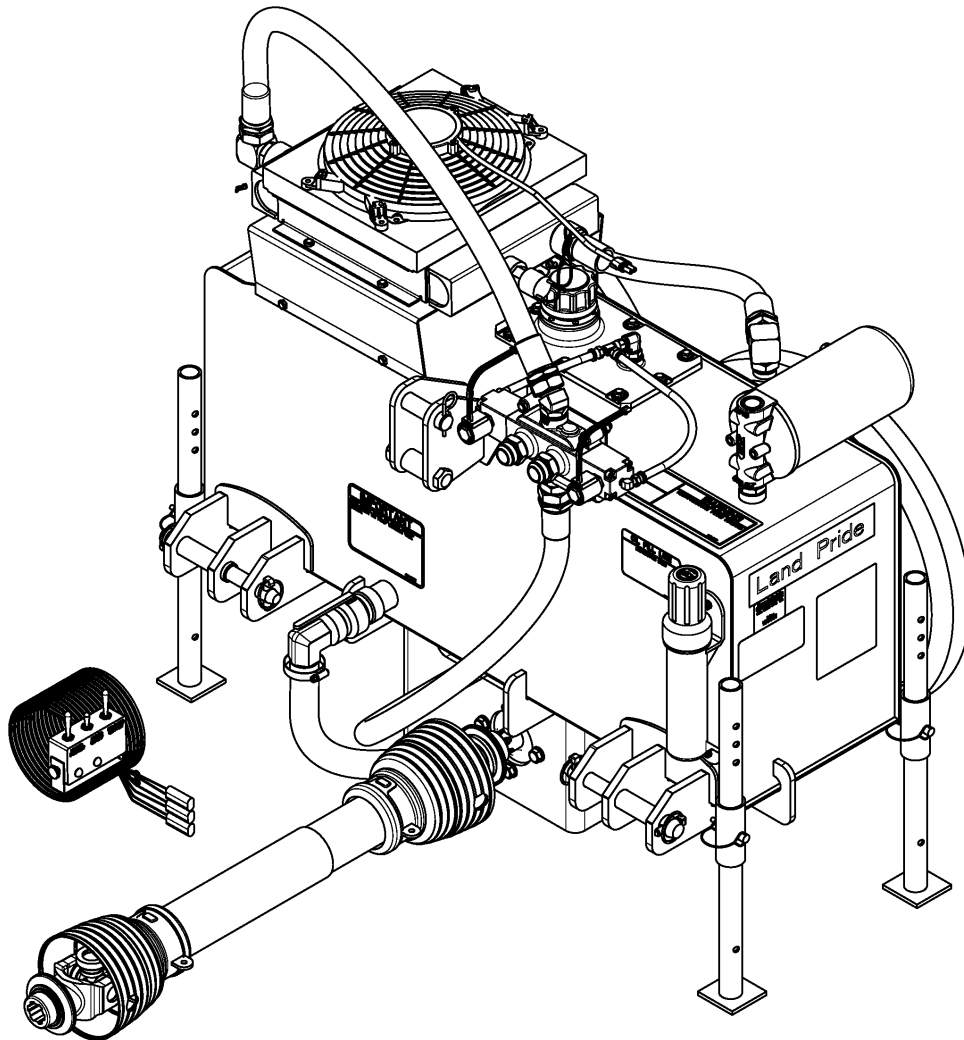


Hydraulic Reservoir System

HRS3025



30386

316-271P
Parts Manual



Read the Operator's Manual entirely. When you see this symbol, the subsequent instructions and warnings are serious - follow without exception. Your life and the lives of others depend on it!

© Copyright 2015 Printed 08/12/15

Cover photo may show optional equipment not supplied with standard unit.





Table of Contents

Section 1: Introduction.....	4
Using This Manual.....	4
Manual Replacement Information.....	4
Manual Revisions.....	4
Touch-up Paint.....	4
Hardware Legend.....	5
Replacement Hardware.....	5
Serial Numbers.....	5
Part Number Service Coding.....	5
Section 2: Hitch & Reservoir.....	6
Hitch & Reservoir Components.....	6
Section 3: Drive.....	8
Driveline (826-140C) Eurocardan (S/N 434733+).....	8
Pump Drive W/Driveline.....	10
Section 4: Hydraulics.....	12
Hydraulic Gear Increaser 540 RPM (826-108C) Bondioli.....	12
Hydraulic Gear Increaser 540 RPM (826-108C) Comer.....	14
Hydraulic Pump Components (810-820C).....	16
Hydraulic Valve Options S/N 813090-.....	18
Oil Cooler Components W/Switchbox S/N 813090-.....	20
Valve Manual Control S/N 813090-.....	22
Valve Relief PTO Control S/N 813090-.....	24
Valve Solenoid 30 GPM 3000 PSI (829-139C).....	26
Valve Solenoid Control S/N 813090-.....	28
Section 5: Labels.....	30
Label Placement.....	30
Section 6: Options & Accessories.....	32
Case Drain Kit W/ Couplers Solenoid Valve.....	32
Case Drain Kit W/Couplers S/N 813091+.....	34
Flat Faced Couplers Large S/N 813091+.....	36
Flat Faced Couplers Small S/N 813091+.....	38
Manual Valve Option W/Cooler S/N 813091+.....	40
No Valve Option W/Cooler S/N 813091+.....	42
No Valve WO/Cooler S/N 813091+.....	44
Solenoid Valve Option W/Cooler S/N 813091+.....	46
 Part Number Index.....	 48

© Copyright 2015. All rights reserved.

Land Pride provides this publication "as is" without warranty of any kind, either expressed or implied. While every precaution has been taken in the preparation of this manual, Land Pride assumes no responsibility for errors or omissions. Neither is any liability assumed for damages resulting from the use of the information contained herein. Land Pride reserves the right to revise and improve its products as it sees fit. This publication describes the state of this product at the time of its publication, and may not reflect the product in the future. The illustrations in this manual are not intended for safe and proper assembly or disassembly of equipment. The illustrations are intended for ordering parts only.

Land Pride is registered trademark.

All other brands and product names are trademarks or registered trademarks of their respective holders.

Printed in the United States of America.



Alphabetized Table of Contents

C	
	Case Drain Kit W/ Couplers Solenoid Valve.....32
	Case Drain Kit W/Couplers S/N 813091+.....34
D	
	Driveline (826-140C) Eurocardan (S/N 434733+).....8
F	
	Flat Faced Couplers Large S/N 813091+.....36
	Flat Faced Couplers Small S/N 813091+.....38
H	
	Hitch & Reservoir Components.....6
	Hydraulic Gear Increaser 540 RPM (826-108C)
	Bondioli.....12
	Hydraulic Gear Increaser 540 RPM (826-108C)
	Comer.....14
	Hydraulic Pump Components (810-820C).....16
	Hydraulic Valve Options S/N 813090-.....18
L	
	Label Placement.....30
M	
	Manual Valve Option W/Cooler S/N 813091+.....40
N	
	No Valve Option W/Cooler S/N 813091+.....42
	No Valve WO/Cooler S/N 813091+.....44
O	
	Oil Cooler Components W/Switchbox S/N 813090-.....20
P	
	Pump Drive W/Driveline.....10
S	
	Solenoid Valve Option W/Cooler S/N 813091+.....46
V	
	Valve Manual Control S/N 813090-.....22
	Valve Relief PTO Control S/N 813090-.....24
	Valve Solenoid 30 GPM 3000 PSI (829-139C).....26
	Valve Solenoid Control S/N 813090-.....28

General Information

Using This Manual

This manual is divided into sections. The first section contains General Information. The remaining sections divide the machine into segments (i.e. Frames, Drives, Hydraulics, etc.) which illustrate and list all parts. A Parts Number Index is located at the back of the book.

The Land Pride parts in this manual are specially designed for this machine and should be replaced with Land Pride parts only.

The information in this manual is current at time of printing. Some parts may change to assure top performance.

Right-hand and left-hand as used in this manual are determined by facing the direction the machine will travel while in use.

Below is an example of two facing pages from a parts manual. Familiarize yourself with the type of information contained on these pages.

Manual Replacement Information

Replacement manuals are available. Refer to our website at www.landpride.com or e-mail us at lit@landpride.com for additional information. Our website continues to provide the most up-to-date manuals available.

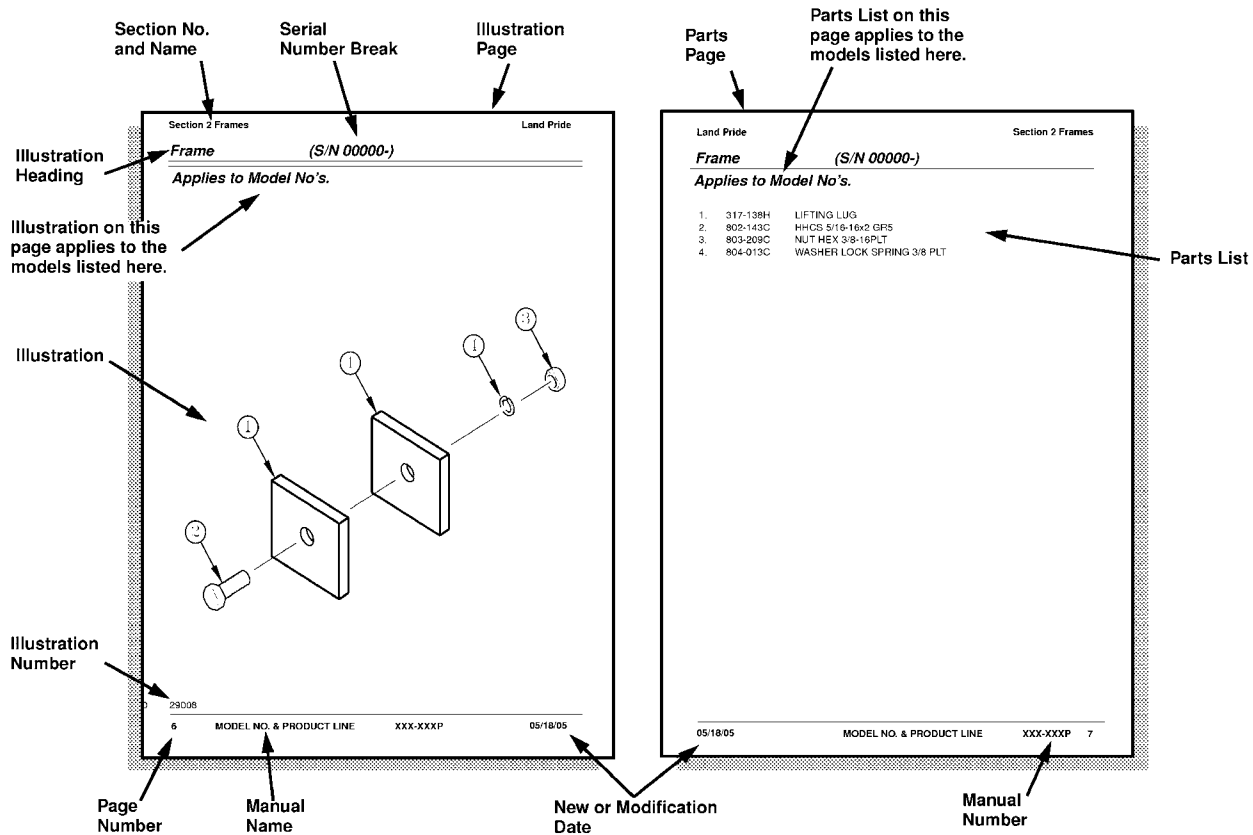
Touch-up Paint

Repaint parts where paint is worn or scratched to prevent rust. Aerosol cans and touch-up bottles with brush applicator are available through your local dealer. Land Pride color descriptions and part numbers are listed below. Also available are quart and gallon size paints. Add QT or GL to end of the Aerosol P/N.

Color	Product*	Aerosol	Touch-Up
Gloss Black	LP	821-032C	821-032CTU
Beige	LP	821-011C	821-011CTU
Green	SLP	821-058C	821-058CTU
Orange	SLP	821-066C	821-066CTU
Red	SLP	821-054C	821-054CTU
Blue	SLP	821-067C	821-067CTU

Notes:

- * LP = All Land Pride Products
- SLP = Select Land Pride Products that are available in optional Green, Orange and Red.



General Information

Hardware Legend

AR	As Required
BLADE	Blade Bolt
C	Cap Screw
CP	Cotter Pin
CPHSSS	Cup Point Hex Socket Set Screw
CPSHSS	Cup Point Square Head Set Screw
CPSQHSS	Cup Point Square Head Set Screw
CRFCHMS3	Cross Recess Flat Countersunk Head Machine Screw
CRPHMS	Cross Recess Pan Head Machine Screw
CRPHTF	Cross Recess Pan Head Thread Forming
CRRHMS	Cross Recess Round Head Machine Screw
CRTHMS	Cross Recess Truss Head Machine Screw
CSNB	Countersunk Square Neck Bolt
FHMS	Flat Head Machine Screw
FTC	Full Thread Cap Screw
H	Hex Nut
HCLN	Hex Center Lock Nut
HFLCS	Hex Flange Lock Cap Screw
HFS	Hex Flange Screw
HFSLN	Hex Flange Serrated Lock Nut
HFSS	Hex Flange Serrated Screw
HHCS	Hex Head Cap Screw or Metric Bolt
HSBHCS	Hex Socket Button Head Cap Screw
HSFCHCS	Hex Socket Flat Countersunk Head Cap Screw
HSHCS	Hex Socket Head Cap Screw
HSSS	Hex Socket Head Screw
HTLN	Hex Top Lock Nut
HWHCS	Hex Washer Head Cap Screw

HWHMS	Hex Washer Head Machine Screw
HXBHCS	Hex Socket Button Head Cap Screw
J	Hex Jam Nut
JIC	37 Degree Tapered Thread
L	Helical Spring Lock Washer
LUG	Lug Bolt
NFC	National Fine Cap Screw
NPSM	National Pipe Straight Mechanical
NPTF	National Pipe Taper Fuel
P	Wide Plain Washer
PHMS	Pan Head Machine Screw
PLOW	Plow Bolt
RHMS	Round Head Machine Screw
RHSNB	Round Head Square Neck Bolt
SCREW LEVELING	Leveling Screw
SCREW THUMB	Thumb Screw
SCREW WELD	Weld Screw
SFCHMS	Slotted Flat Countersunk Head Machine Screw
SFHMS	Slotted Fillister Head Machine Screw
SP	Special
SP SCREW	Special Screw
SQHSS	Square Head Set Screw
SRHMS	Slotted Round Head Machine Screw
SSS	Socket Set Screw
STCS	Self Tapping Cap Screw
STHMS	Slotted Truss Head Machine Screw
WHEEL	Wheel Studs and Hub Long Bolts
WING	Wing Bolt

Replacement Hardware

The **Hardware Legend** above lists hardware abbreviations used in the parts list. All bolts and nuts are Grade 5 unless otherwise noted. The use of improper grades of hardware can result in personal injury, damage to equipment, or loss of property.

Colored Replacement Parts

Land Pride offers replacement parts in factory standard colors and also on select models in Green, Orange, Red and Blue. Because of the variety of colors available, special attention must be given to the part number to prevent ordering the wrong replacement part.

A suffix number corresponding to one of the colors below must be added at the end of Land Pride's part number when ordering a replacement part with that color.

81 Green 83 Red
82 Orange 84 Blue

For example, if you are ordering a replacement part with part number 555-555C and the part you need is red, then add the suffix 83 to the end of the number to make the part number read 555-555C83. Parts ordered without a suffix number will be supplied in factory standard colors.

Black Replacement Parts

Some parts are factory standard black and some must be special ordered black. If your part is special ordered black, a second part number with the additional suffix number 85 on the end will be available. In this situation you must order that part with the suffix number for it to be black. Parts that are factory standard black will not have the suffix number.

Part Number Service Coding

Within the parts list some part numbers are coded for revisions and interchangeability. See notations in revision column.

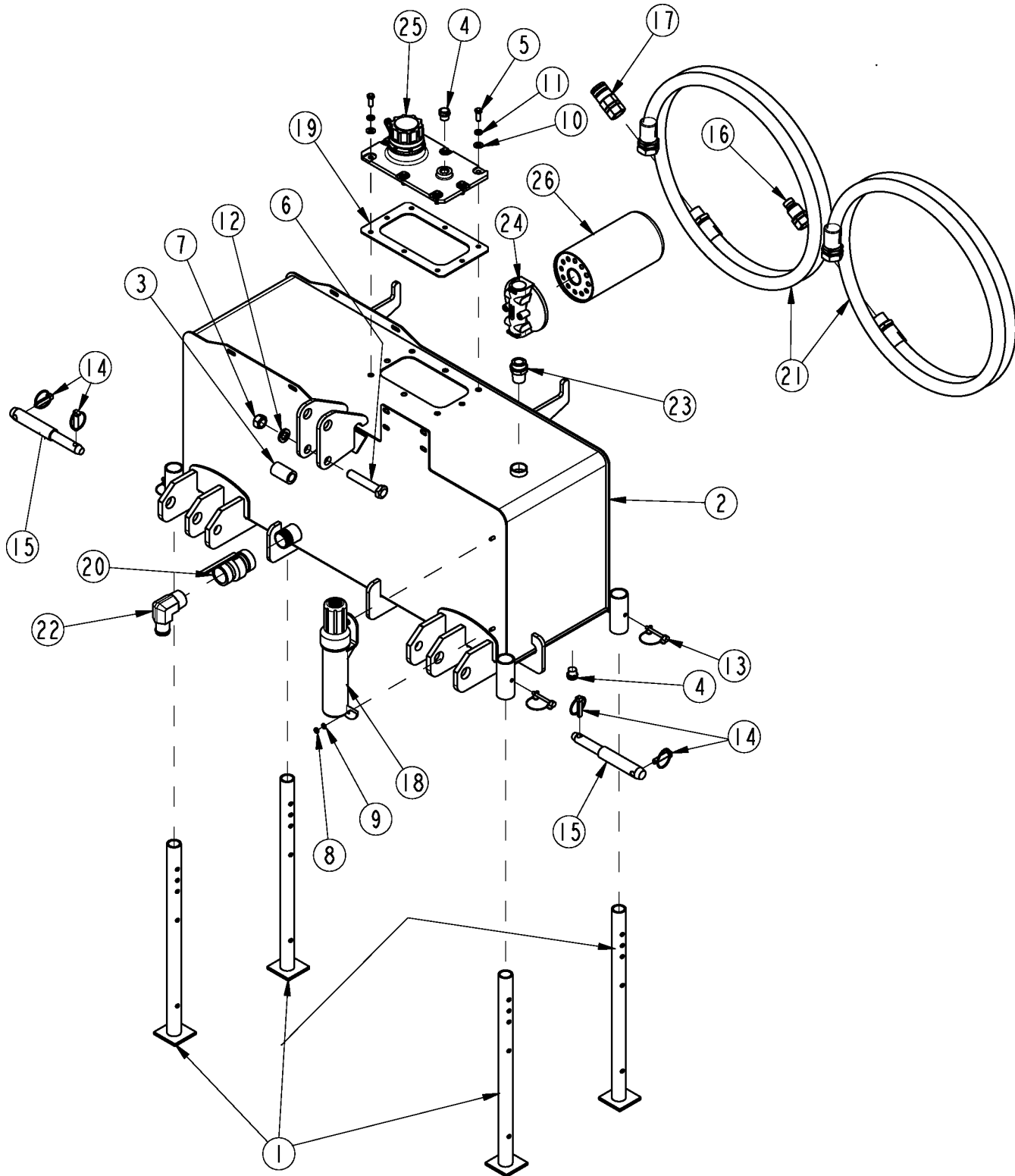
Serial Numbers

Always use the serial and model number when ordering parts. Refer to the Operator's Manual for serial number plate location.

- (S/N 20001+) Includes serial numbers 20001 and above (to the latest number)
- (S/N 10001 to 20000) Includes serial numbers between and including 10001 and 20000
- (S/N 10000-) Includes serial numbers 10000 and below (to the earliest number)

Hitch & Reservoir Components

Applies to HRS3025



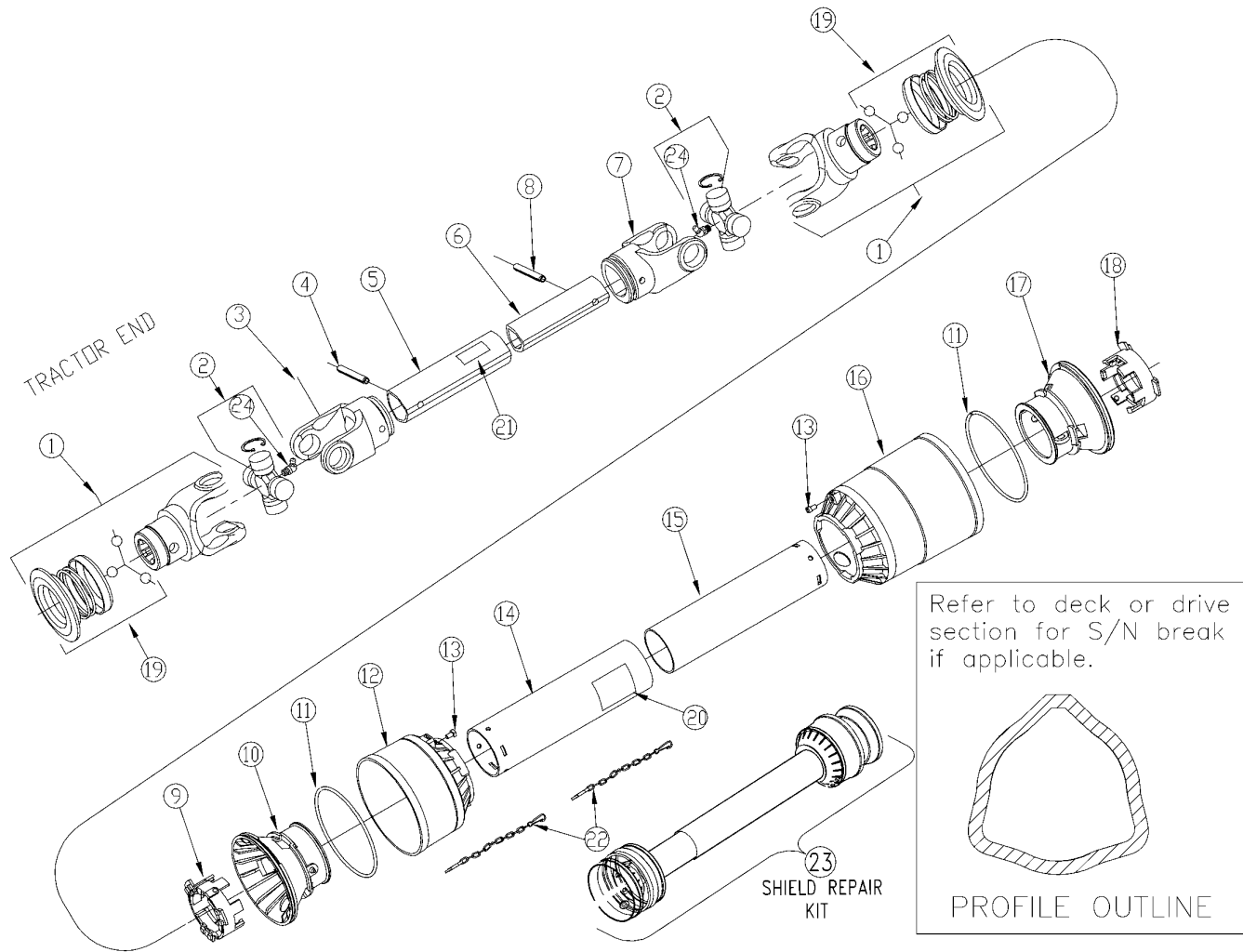
30547

Hitch & Reservoir Components**Applies to HRS3025**

Ref	Part No.	Part Description	Comments	Revision
	dwg30547	Drawing Image Number		
1.	311-101H	PARKING STAND RTA25/35		
2.	316-264S	HYD RESERVOIR SUB-ASSY HRS		
3.	322-009D	SPACER 1 1/4ODX7/32WLX2.12LG		
4.	800-066C	DRAIN PLUG 3/4-16 UNF PLATED		
5.	802-017C	HHCS 3/8-16X1 GR5		
6.	802-068C	HHCS 3/4-10X4 GR5		
7.	803-027C	NUT HEX 3/4-10 PLT		
8.	803-222C	NUT HEX JAM 1/4-20 PLT		
9.	804-006C	WASHER LOCK SPRING 1/4 PLT		
10.	804-012C	WASHER FLAT 3/8 SAE PLT		
11.	804-013C	WASHER LOCK SPRING 3/8 PLT		
12.	804-023C	WASHER LOCK SPRING 3/4 PLT		
13.	805-065C	PIN WIRE RETAINING 1/4 X 1 3/4		
14.	805-103C	PIN LINCH 7/16 X 1 3/4		
15.	805-407C	PIN HITCH CAT. I-II		
16.	811-744C	CP 1 1/16FORB MALE QUICK	S/N _____-	
17.	811-745C	CP 1 1/16FORB FEMALE QUICK	S/N _____-	
18.	816-504C	MANUAL STORAGE CONTAINER		
19.	816-643C	COVER GASKET HRS		
20.	829-137C	VALVE 1 1/4FNPT BALL BRASS		
21.	841-960C	HH1R17 285 1 5/16FJIC/MORB	S/N _____+	
21.	841-332C	HH1R17 285 1.06FJIC1.06MORB	S/N _____-	
22.	841-405C	EL 1 1/4MNPT1 1/4HOSE BARB STL		
23.	841-470C	AD 1 5/16MORB 1MNPT		
24.	890-455C	SPIN-ON FILTER HEAD 1 5/16-12		
25.	891-149C	FILLER CAP W/STRAINER ASSY		
26.	891-213C	SPIN ON RETURN FILTER 10 MIC		

Driveline (826-140C) Eurocardan (S/N 434733+)

Applies to HRS3025



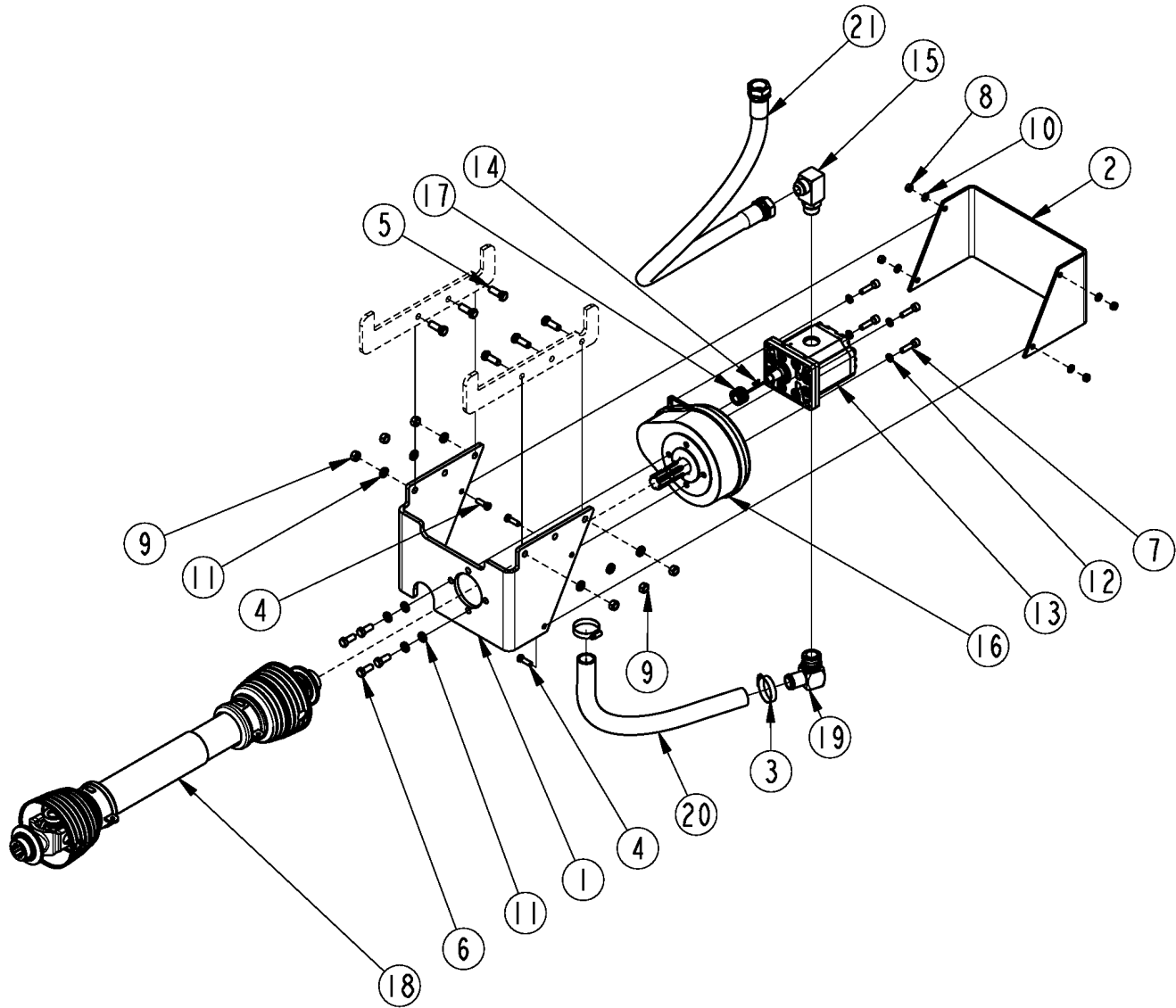
22202

Driveline (826-140C) Eurocardan (S/N 434733+)**Applies to HRS3025**

Ref	Part No.	Part Description	Comments	Revision
	dwg22202	Drawing Image Number		
	826-140C	DRIVELINE NO CLUTCH		
1.	1014012	EC YOKE ASSEMBLY		
2.	1004020	EC CROSS ASSEMBLY (U JOINT)		
3.	1704027	EC OUTER TUBE YOKE		
4.	6330860	EC 08X60 1485DIN ROLL PIN		
5.	1524045	EC OUTER TUBE (1524062) 450MM		
6.	1525045	EC INNER TUBE (1525095) 450MM		
7.	1704029	EC INNER TUBE YOKE		
8.	6330855	EC 8X55-DIN-1481 O/TUBE R/PIN		
9.	1784210	EC TUBE BEARING		
10.	1884201	EC OUTER TUBE RIGID CONE		
11.	1213233	EC STIFFENING RING		
12.	1884203	EC SOFT CONE		
13.	1784212	EC PIN STOP ROTATION		
14.	1873037	EC OUTER TUBE SHEILD		
15.	1872037	EC INNER TUBE SHEILD		
16.	1884205	EC SOFT LONG CONE		
17.	1884202	EC INNER TUBE RIGID CONE		
18.	1784211	EC TUBE BEARING		
19.	1004225	EC PULL COLLAR KIT		
20.	818-552C	DECAL DANGER PTO DRIVELINE		
21.	818-540C	DECAL DANGER GUARD MISS PTO		
22.	044321	DRIVELINE SHIELD SAFETY CHAIN	S/N 928934-	
23.	826-552C	SHIELD KIT, AX3 & AX4		
24.	084099	WC ZERK M8 X 1 X 45 DEG		

Pump Drive W/Driveline

Applies to HRS3025



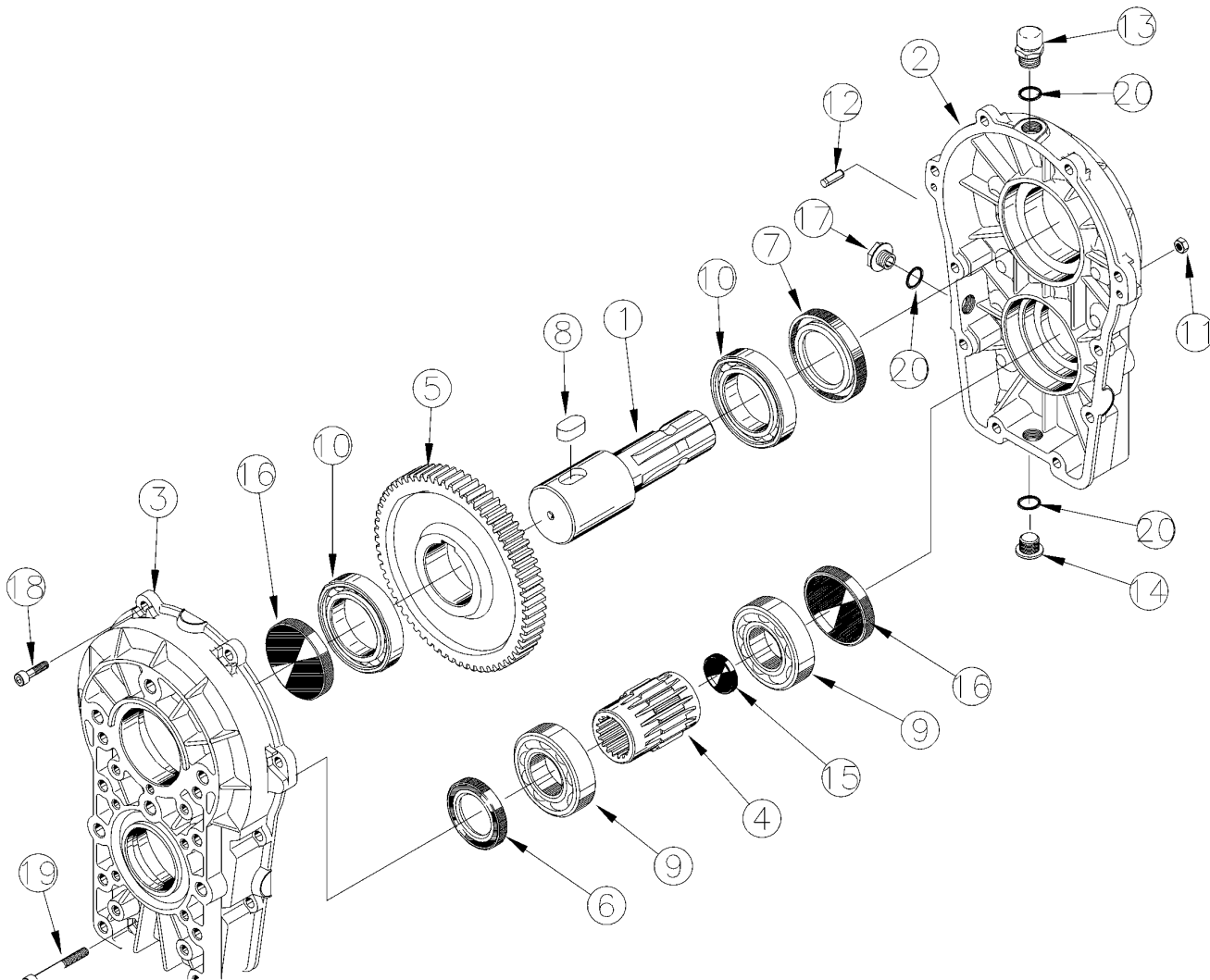
30548

Pump Drive W/Driveline**Applies to HRS3025**

Ref	Part No.	Part Description	Comments	Revision
	dwg30548	Drawing Image Number		
1.	316-341D	HIGH SPEED PUMP MOUNT	S/N 886940+ ---- (revised part)	
2.	316-342D	PUMP GUARD REAR		
3.	800-125C	CLAMP WRM DRV#28 SS(1.31-2.25)		
4.	802-079C	HHCS 3/8-16X1 1/4 GR5		
5.	802-091C	HHCS 1/2-13X1 1/2 GR5		
6.	802-458C	HHCS M12X1.75X30 GR8.8		
7.	802-540C	HSHCS M10 X 1.5X40 GR8.8		
8.	803-014C	NUT HEX 3/8-16 PLT		
9.	803-020C	NUT HEX 1/2-13 PLT		
10.	804-013C	WASHER LOCK SPRING 3/8 PLT		
11.	804-015C	WASHER LOCK SPRING 1/2 PLT		
12.	804-077C	WASHER LOCK M10 BLK		
13.	810-820C	HYD PUMP 3.08CIR		
14.	810-825C	WOODRUFF KEY (810-656C)		
15.	851-468C	EL 1 5/16MORB 1 5/16 MJIC LONG	S/N 886940+	
15.	841-609C	EL 1 5/16MORB 1 5/16MJIC	S/N _____+ TO S/N 886939-	
15.	811-567C	AD 1 1/16MJIC 1 5/16MORB	S/N _____-	
16.	826-108C	GEARBOX FR3 1:3.7 SPEED UP		
17.	826-109C	GEAR 35 X 31 Z 18 SPLINE		
18.	826-140C	DRIVELINE NO CLUTCH		
19.	841-495C	EL 1 5/8MORB1 1/4HOSE BARB STL		
20.	841-496C	SUCTION HOSE 3025		
21.	841-963C	HH1R17 40 1 5/16FJIC	S/N _____+	
21.	841-497C	HH3/4R17 33.93 1 1/16FJIC1-90	S/N _____-	

Hydraulic Gear Increaser 540 RPM (826-108C) Bondioli

Applies to HRS3025



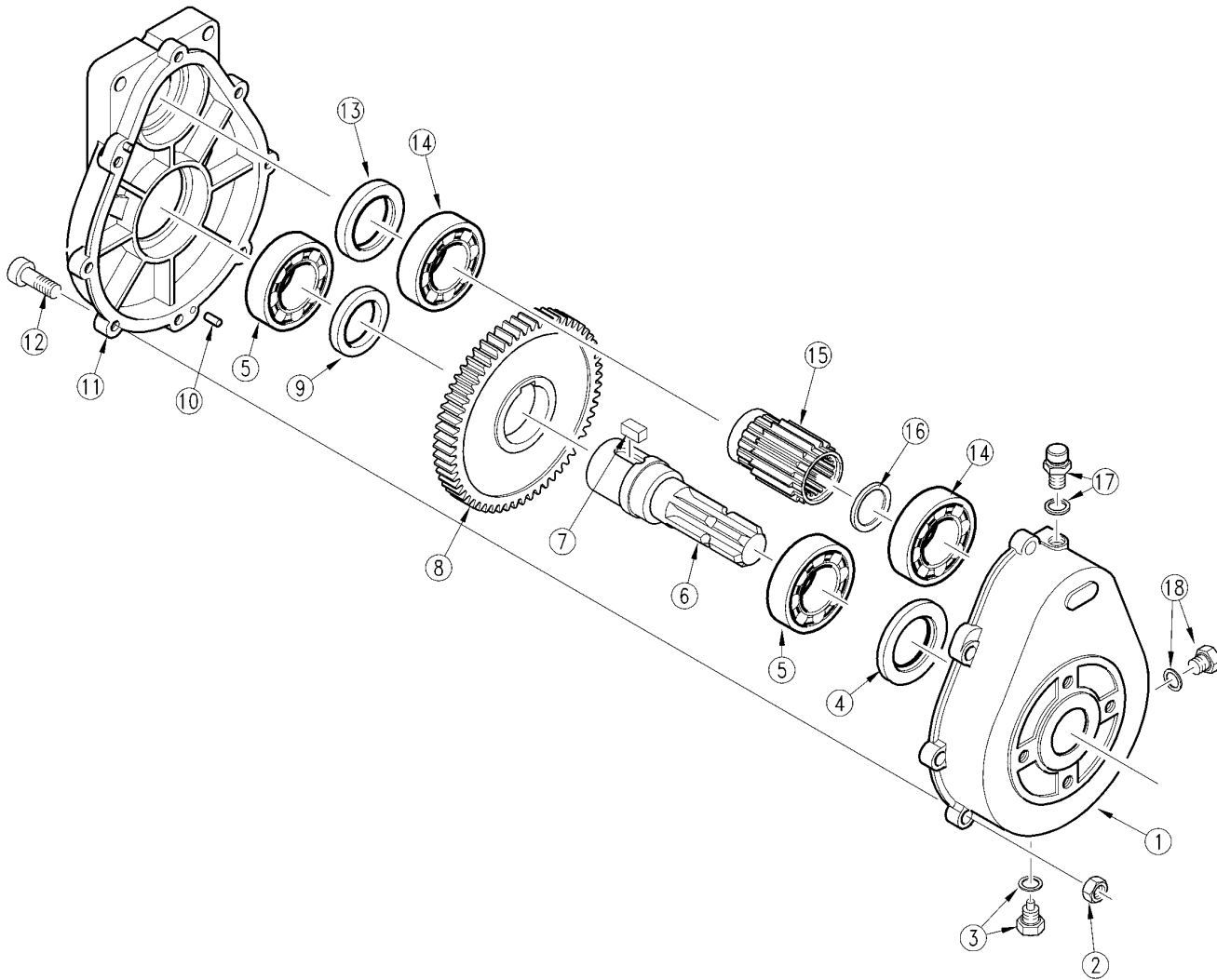
35078

Hydraulic Gear Increaser 540 RPM (826-108C) Bondioli**Applies to HRS3025**

Ref	Part No.	Part Description	Comments	Revision
	dwg35078	Drawing Image Number		
	826-108C	GEARBOX FR3 1:3.7 SPEED UP *		
1.	2072.003.542	BONDI SHAFT		
2.	2073.001.109	BONDI HOUSING		
3.	2073.002.109	BONDI HOUSING		
4.	2073.010.542	BONDI SHAFT		
5.	2073.004.426	BONDI GEAR		
6.	8050.505.000	BONDI OIL SEAL 45X62X7		
7.	8050.576.000	BONDI OIL SEAL 50X62X7		
8.	8125.418.001	BONDI KEY14X9X30		
9.	9110.345.000	CO BALL BRG 6009 45X75X16		
10.	8200.308.000	BONDI BEARING 6010		
11.	8225.248.000	BONDI NUT M8 UNI 5588		
12.	8575.267.000	BONDI PIN, 6X10 UNI 1707		
13.	8600.142.000	BONDI OIL PLUG		
14.	8600.149.000	BONDI OIL PLUG		
15.	8600.390.000	BONDI CUP RCA 35		
16.	8600.670.000	BONDI CAP RCA 62		
17.	8625.140.000	BONDI 3/8 OIL PLUG		
18.	8675.188.100	BONDI SCREW M8X25 UNI 5931		
19.	8675.201.100	BONDI SCREW M8X65 UNI 5931		
20.	8075.200.000	BONDI OIL SEAL 19X13X3		

Hydraulic Gear Increaser 540 RPM (826-108C) Comer

Applies to HRS3025



12301

Hydraulic Gear Increaser 540 RPM (826-108C) Comer**Applies to HRS3025**

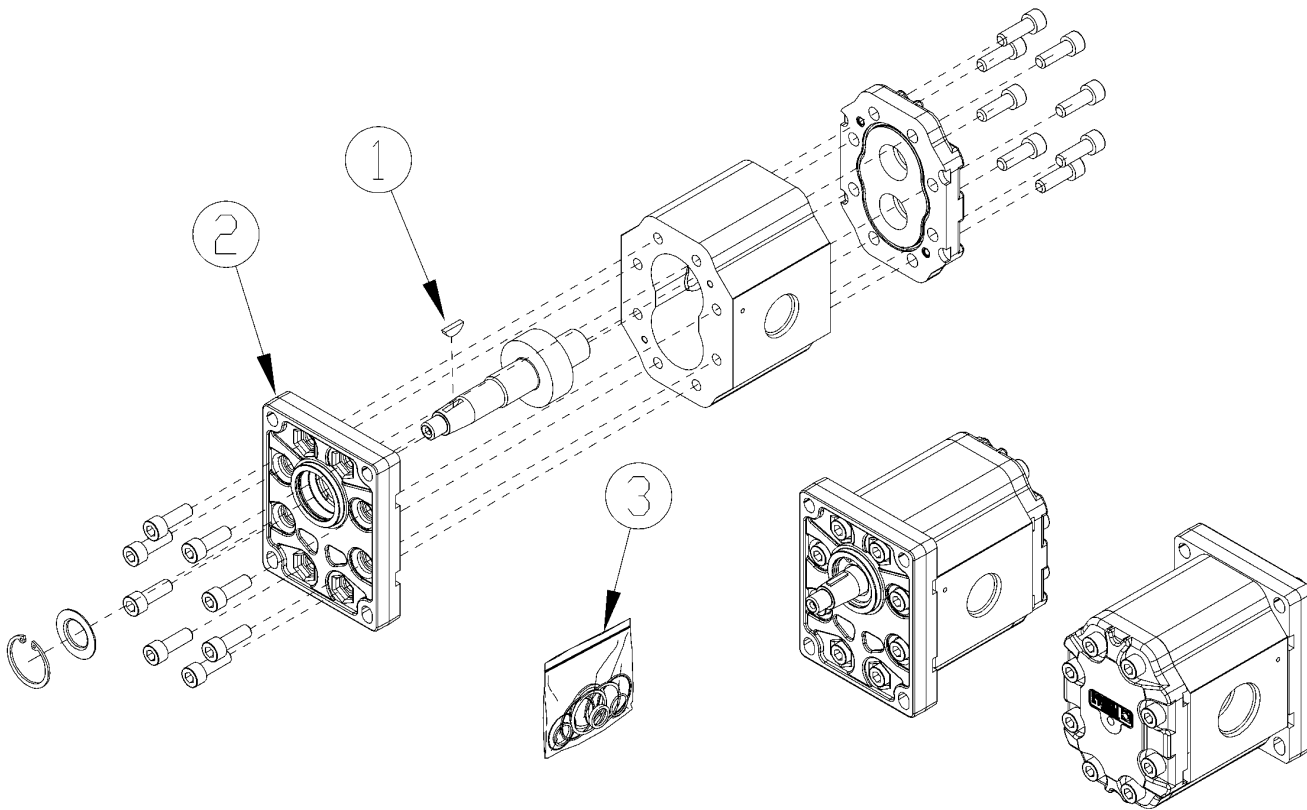
Ref	Part No.	Part Description	Comments	Revision
	dwg12301	Drawing Image Number		
	826-108C	GEARBOX FR3 1:3.7 SPEED UP		
1.	1351.001.009	CO INPUT HOUSING		
2.	9120.215.000	NUT, M8 UNI 5588 A6S MEDIUM		
3.	9510.106.000	CO MAGNETIC PLUG 3/8 G NA36/A		
4.	9020.365.000	CO SEAL, OIL 50X68X8 DIN3760		
5.	9110.385.000	CO BALL BEARING 6010 50X80X16		
6.	1351.006.041	CO INPUT SHAFT		
7.	9050.253.000	CO STEEL KEY 12 X 8 X 20		
8.	1351.011.026	CO RING GEAR 60T M=2.75R1:3.75		
9.	1351.012.076	CO SPACER		
10.	9490.310.000	CO CYLINDRIC PIN 6X12 UNI 1707		
11.	1351.002.009	CO COVER		
12.	9540.252.080	CO V.T.C.E.I. M8X25 UNI5931-8G		
13.	9020.355.000	CO OIL SEAL 45X65X8 DIN 3760		
14.	9110.345.000	CO BALL BEARING 6009 45X75X16		
15.	1351.010.042	CO PINION 16T M=2.75		
16.	9510.560.000	CO OIL SEAL PLUG 40 X 7		
17.	9510.090.000	CO METAL BREATHER 3/8 G		
18.	9510.105.500	CO OIL DRAIN PLUG 3/8 G AVP		

*

Notes: Oil Type 80-90W Capacity 1 Pints

Hydraulic Pump Components (810-820C)

Applies to HRS3025



30855

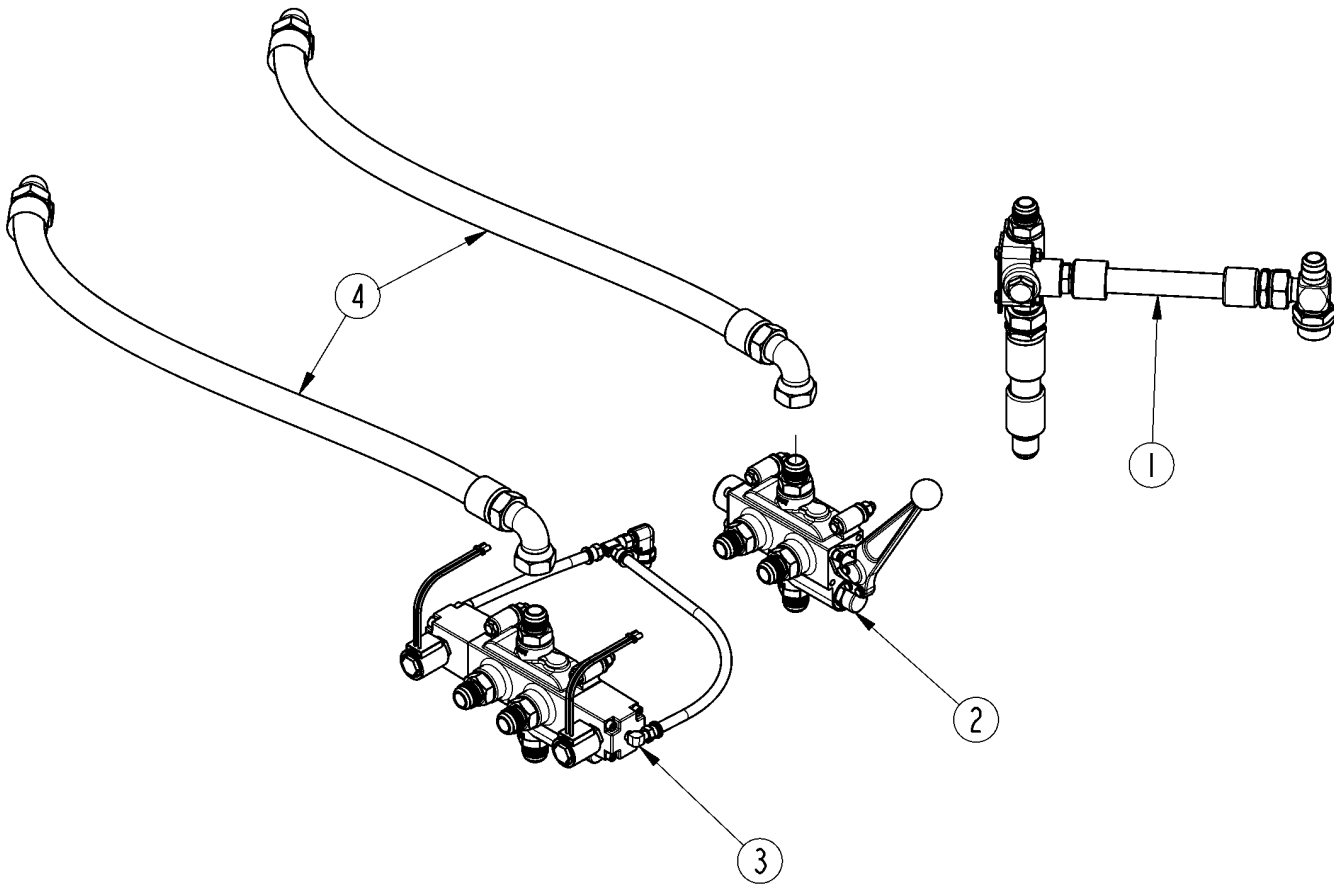
Hydraulic Pump Components (810-820C)

Applies to HRS3025

Ref	Part No.	Part Description	Comments	Revision
	dwg30555	Drawing Image Number		
	810-820C	HYD PUMP 3.08CIR *		
1.	810-825C	WOODRUFF KEY (810-656C)		
2.	810-826C	FRNT CVR W/SFT SEAL (810-656C)		
3.	810-827C	SEAL KIT, GRP 3 PMP (810-656C)		

Hydraulic Valve Options S/N 813090-

Applies to HRS3025



30553

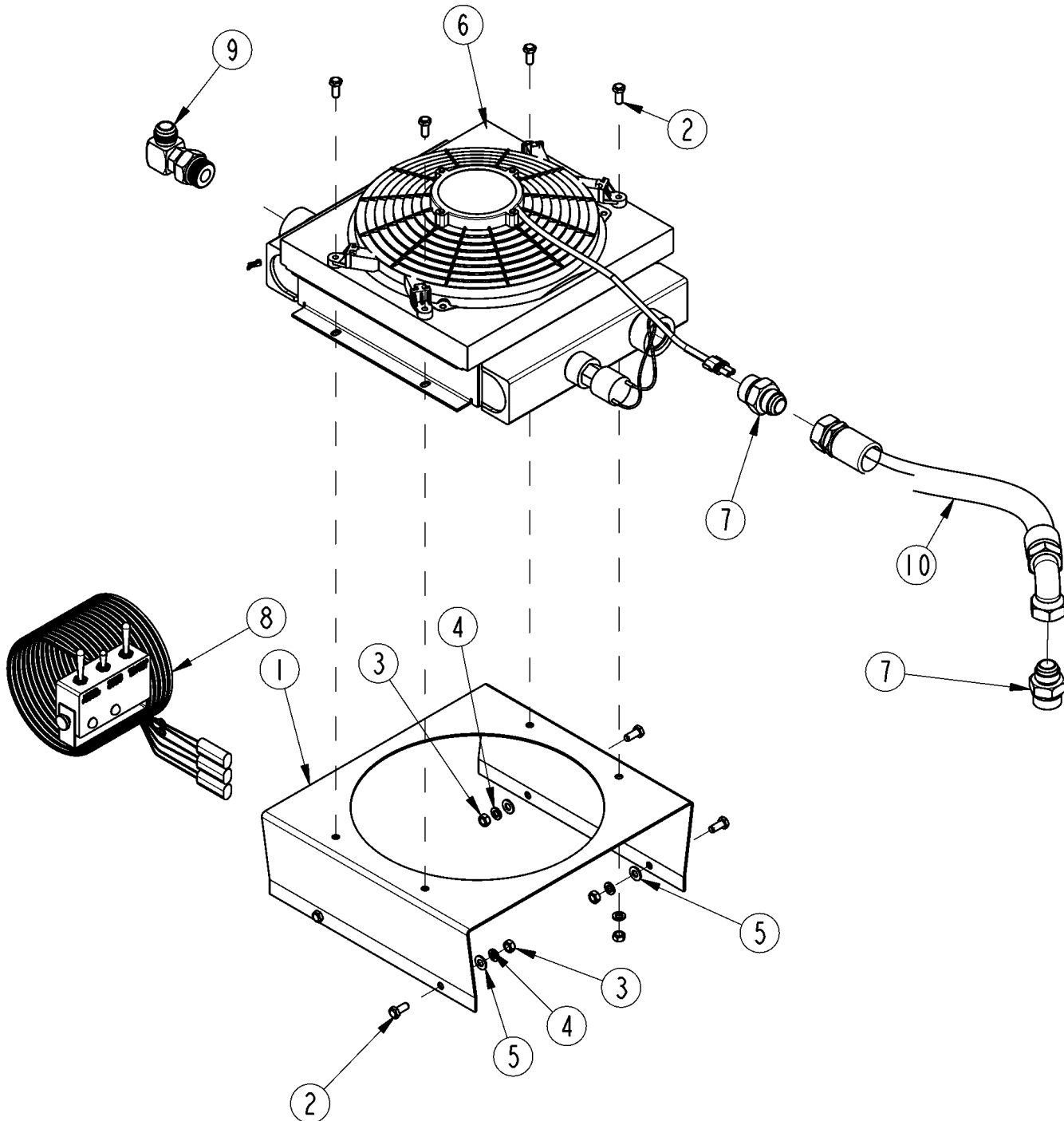
Hydraulic Valve Options S/N 813090-

Applies to HRS3025

Ref	Part No.	Part Description	Comments	Revision
	dwg30553	Drawing Image Number		
1.	316-250A	NO VALVE OPTION HRS3025		
2.	316-251A	MANUAL VALVE OPTION HRS3025		
3.	316-252A	SOLENOID VALVE OPTION HRS3025		
4.	841-403C	HH3/4R17 33.33 FJIC 90		

Oil Cooler Components W/Switchbox S/N 813090-

Applies to HRS3025



30854

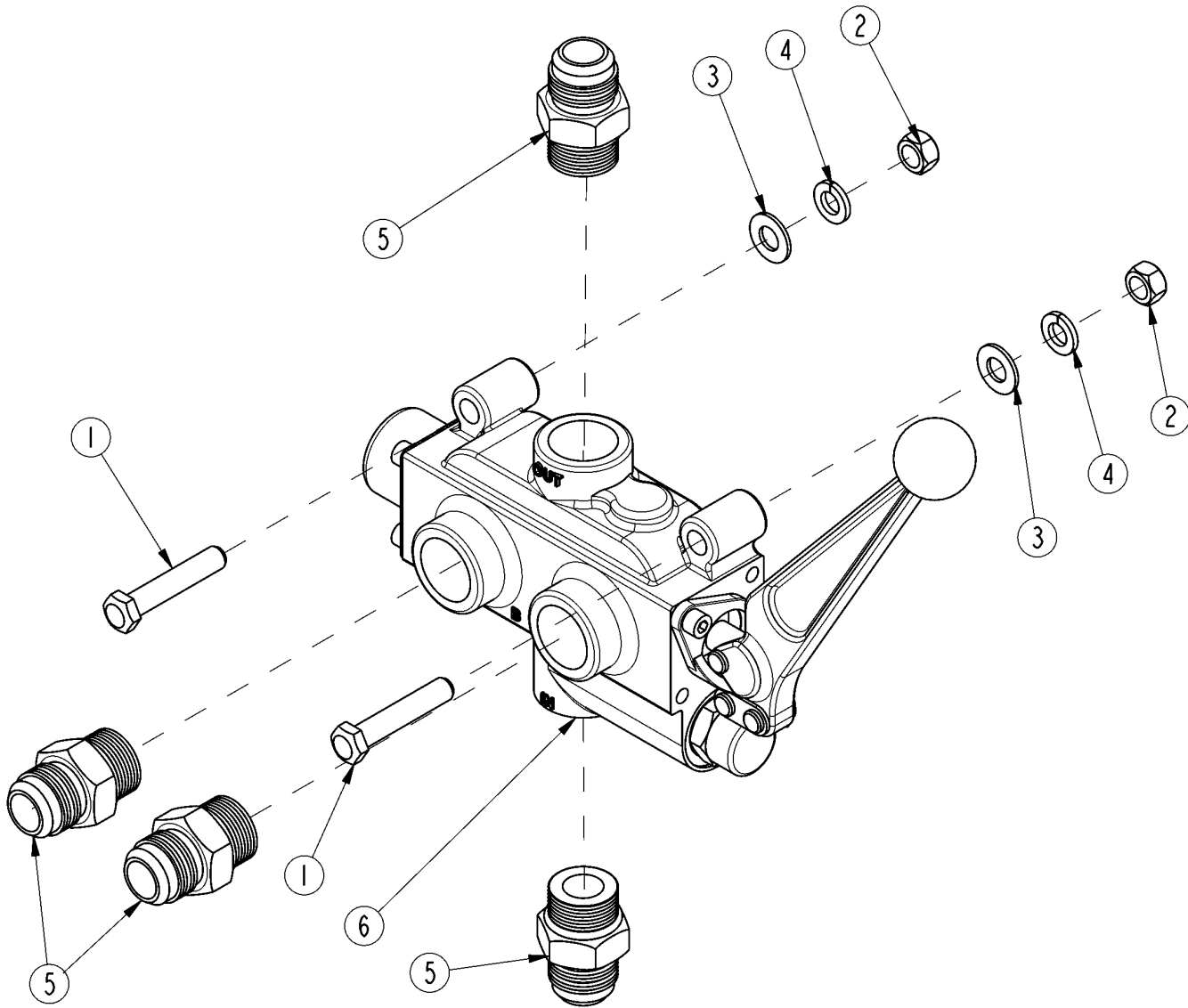
Oil Cooler Components W/Switchbox S/N 813090-

Applies to HRS3025

Ref	Part No.	Part Description	Comments	Revision
	dwg30854	Drawing Image Number		
1.	316-349D	COOLER MNT 3025		
2.	802-007C	HHCS 5/16-18X3/4 GR5		
3.	803-008C	NUT HEX 5/16-18 PLT		
4.	804-009C	WASHER LOCK SPRING 5/16 PLT		
5.	804-036C	WASHER FLAT 5/16 SAE PLT		
6.	810-703C	OIL COOLER 3025		
7.	811-567C	AD 1 1/16MJIC 1 5/16MORB		
8.	823-361C	SWITCHBOX AND HARNESS HRS		
9.	841-153C	EL 1 1/16MJIC 1 5/16MORB		
10.	841-404C	HH3/4R17 20.81 FJIC 90		

Valve Manual Control S/N 813090-

Applies to HRS3025



30555

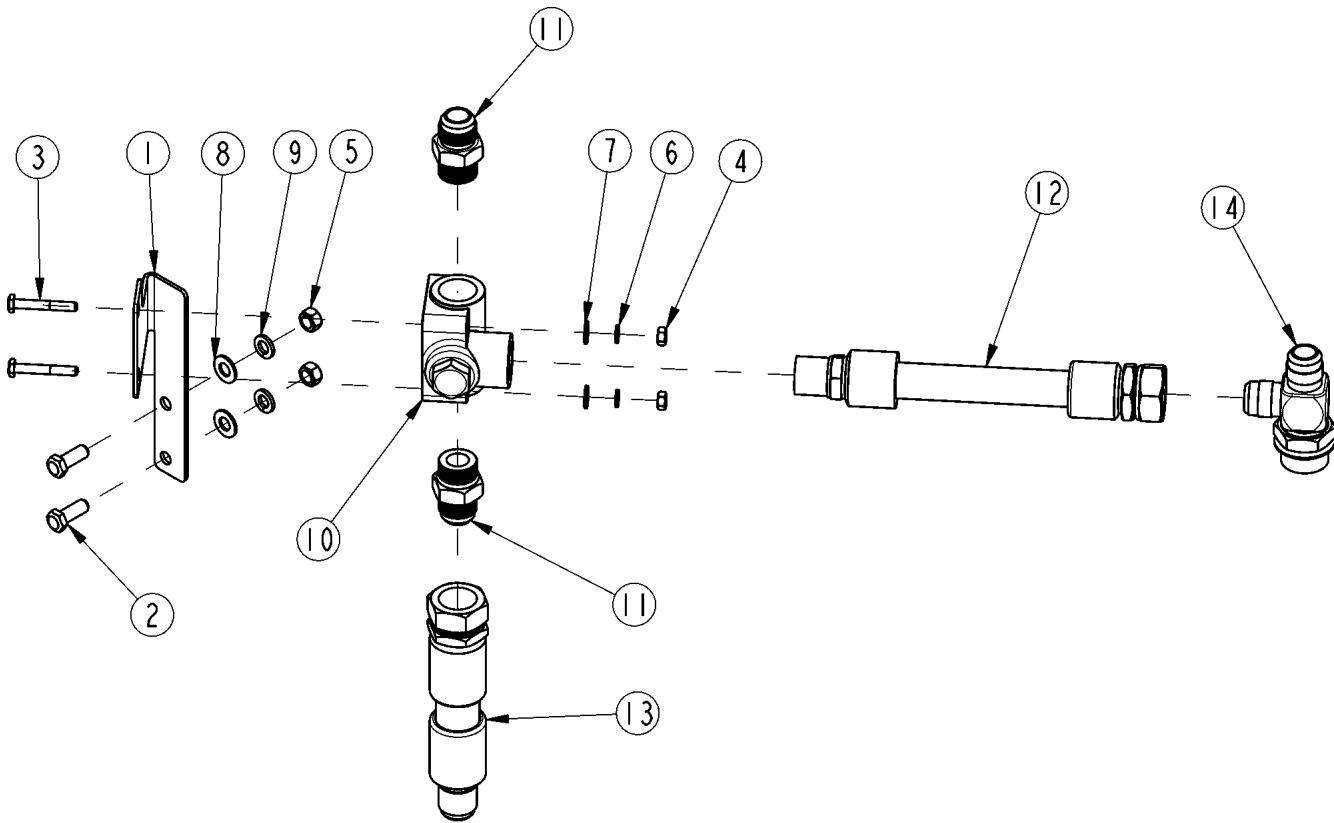
Valve Manual Control S/N 813090-

Applies to HRS3025

Ref	Part No.	Part Description	Comments	Revision
	dwg30555	Drawing Image Number		
	dwg30555	Drawing Image Number		
	316-251A	MANUAL VALVE OPTION HRS3025 *		
1.	802-143C	HHCS 3/8-16X2 GR5		
2.	803-014C	NUT HEX 3/8-16 PLT		
3.	804-012C	WASHER FLAT 3/8 SAE PLT		
4.	804-013C	WASHER LOCK SPRING 3/8 PLT		
5.	811-408C	AD 1 1/16MORB 1 1/16MJIC		
6.	829-138C	VALVE MANUAL 3000 PSI 30GPM		

Valve Relief PTO Control S/N 813090-

Applies to HRS3025



30554

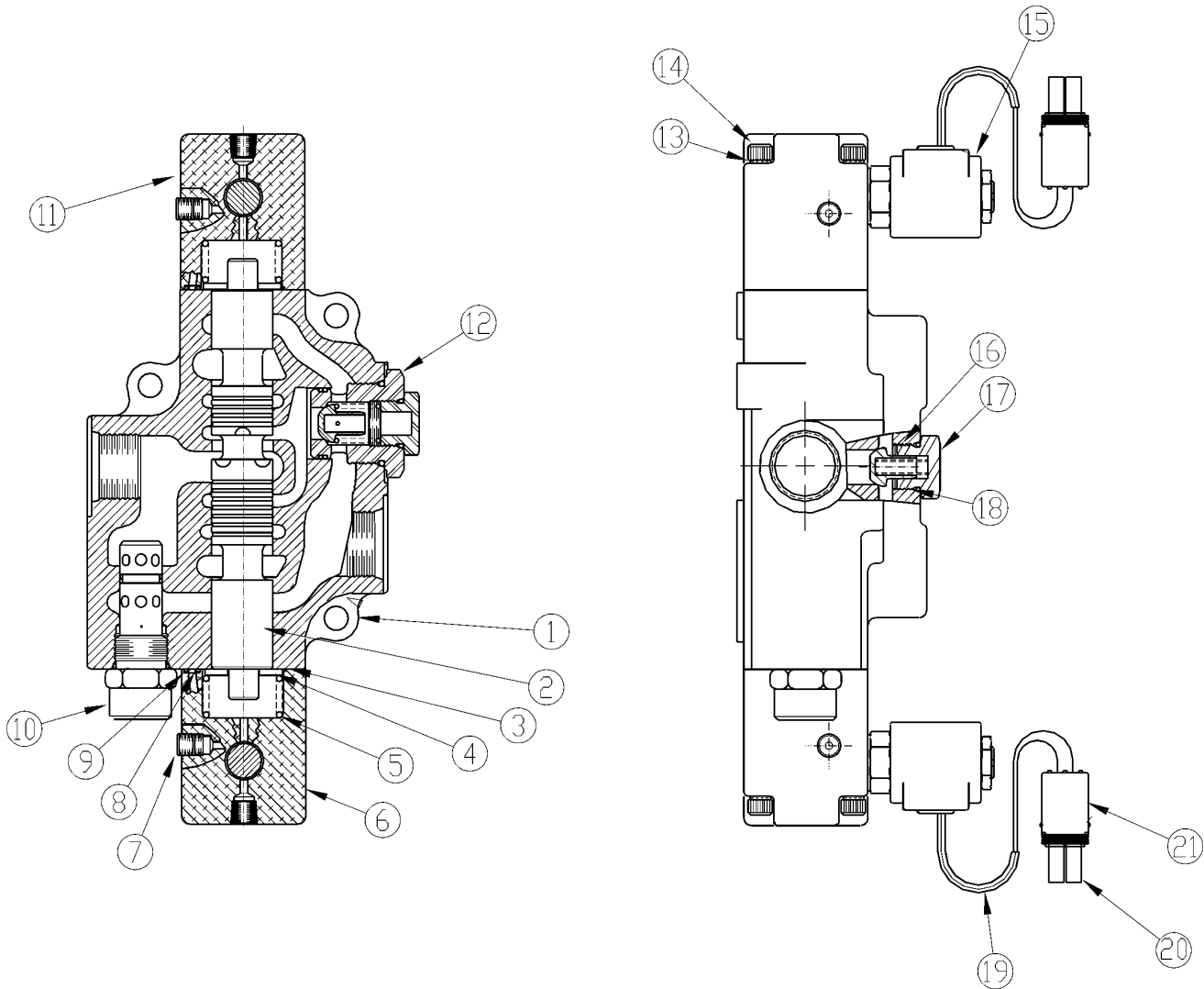
Valve Relief PTO Control S/N 813090-

Applies to HRS3025

Ref	Part No.	Part Description	Comments	Revision
	dwg30554	Drawing Image Number		
1.	316-348D	RELIEF VALVE MOUNT 3000 PSI		
2.	802-017C	HHCS 3/8-16X1 GR5		
3.	802-370C	HHCS 1/4-20X1 3/4 GR5		
4.	803-006C	NUT HEX 1/4-20 PLT		
5.	803-014C	NUT HEX 3/8-16 PLT		
6.	804-006C	WASHER LOCK SPRING 1/4 PLT		
7.	804-007C	WASHER FLAT 1/4 SAE PLT		
8.	804-012C	WASHER FLAT 3/8 SAE PLT		
9.	804-013C	WASHER LOCK SPRING 3/8 PLT		
10.	810-819C	RELIEF VALVE 3000 PSI		
11.	811-408C	AD 1 1/16MORB 1 1/16MJIC		
12.	841-363C	HH3/4R17 10 1/4 1 1/16FJIC/MOR		
13.	841-501C	HH3/4R17 7.25 1 1/16FJIC-MJIC		
14.	841-502C	TEE 1.06MJIC1.31MORB1.06MJIC		

Valve Solenoid 30 GPM 3000 PSI (829-139C)

Applies to HRS3025



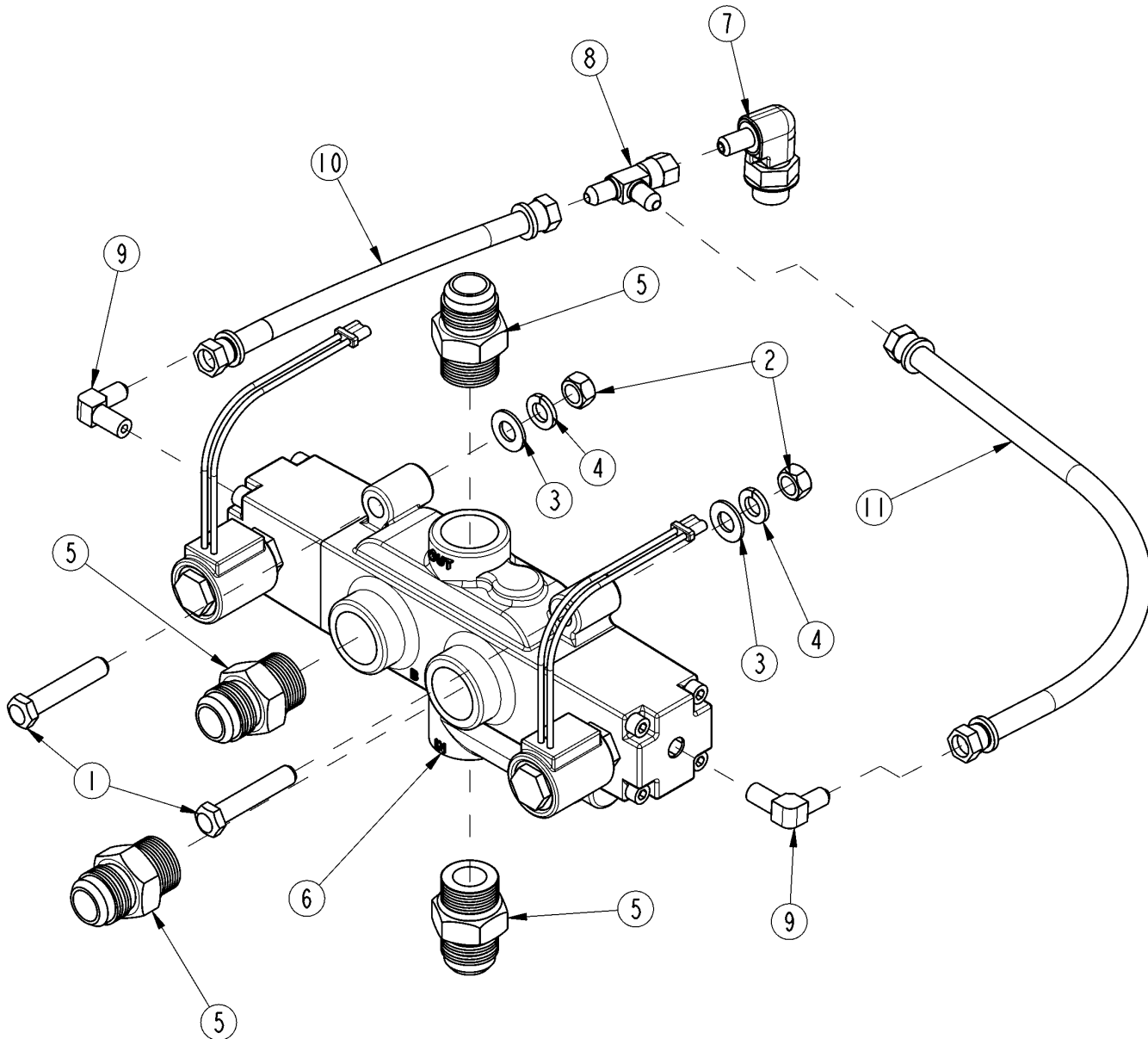
30918

Valve Solenoid 30 GPM 3000 PSI (829-139C)**Applies to HRS3025**

Ref	Part No.	Part Description	Comments	Revision
	dwg30918	Drawing Image Number		
	829-139C	VALVE SOLENOID 3000PSI 30GPM		
		*		
1.	1V2136	BODY MACHINING		
2.	1V2120	SPOOL, SOLENOID		
3.	2A0283-9027	O-RING		
4.	1A0291	STOP WASHER		
5.	1A0663	SPRING,CENTER		
6.	1V2062	SOLENOID HOUSING(R.H.)		
7.	2A0349-2	1/8" NPTF PIPE PLUG		
8.	2A0283-7007	O-RING		
9.	1A0706	O-RING RETAINER		
10.	1R0037	RELIEF CARTRIDGE		
11.	1V2063	SOLENOID HOUSING(L.H.)		
12.	1V3636	BACK PRESSURE CARTRIDGE ASS'Y		
13.	2A0736-304	LOCK WASHER		
14.	2A0079-424	MACHINE SCREW		
15.	1A9330	SOLENOID ASS'Y		
16.	1V0081	LOAD CHECK POPPET		
17.	1V1725	LOAD CHECK PLUG ASS'Y.		
18.	1A0757	LOAD CHECK SPRING		
19.	1A9340	CABLE SEAL		
20.	1A9341	TERMINAL FEMALE SLEEVE		
21.	1A9342	CONNECTOR BODY		

Valve Solenoid Control S/N 813090-

Applies to HRS3025



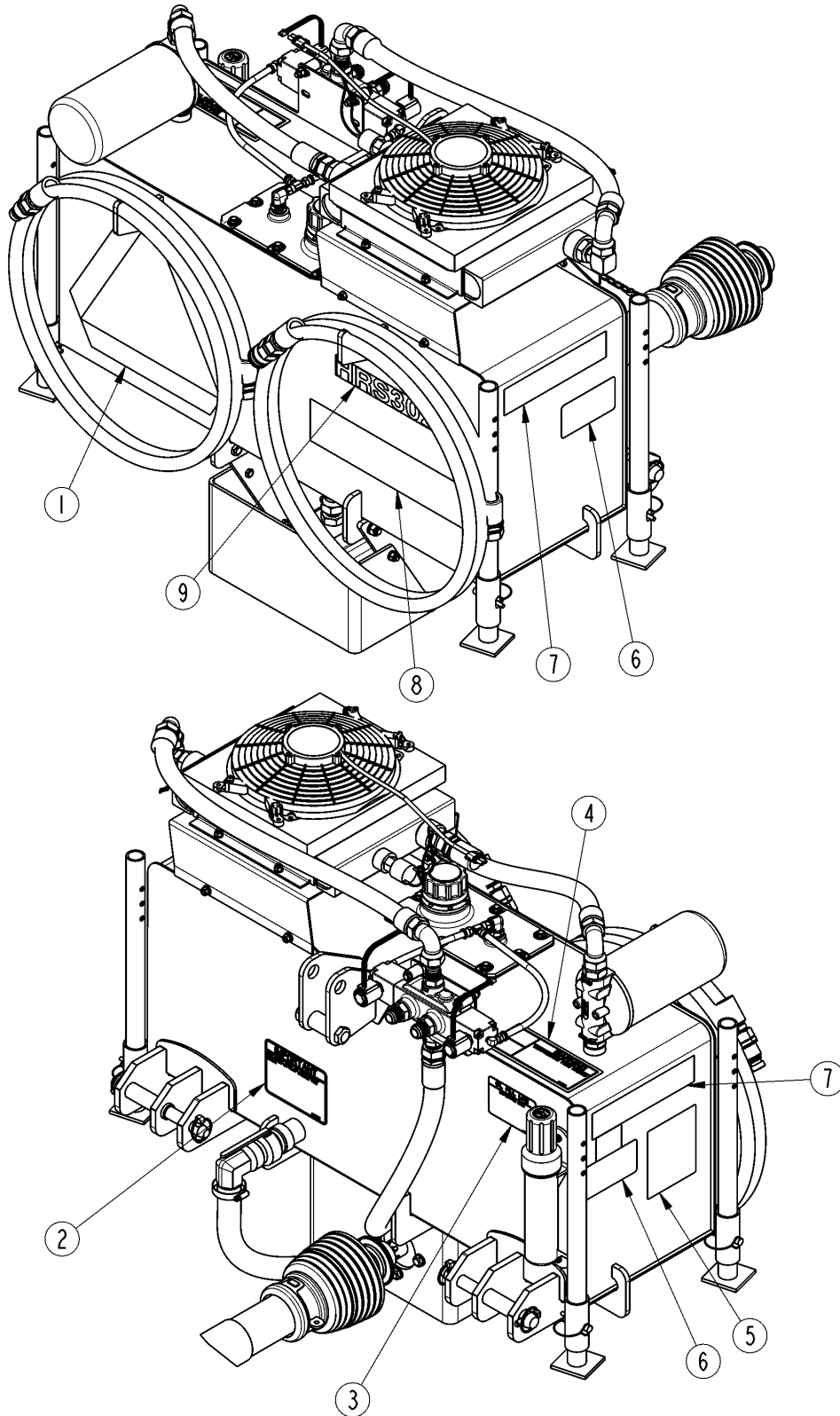
30556

Valve Solenoid Control S/N 813090-**Applies to HRS3025**

Ref	Part No.	Part Description	Comments	Revision
	dwg30556 316-252A	Drawing Image Number SOLENOID VALVE OPTION HRS3025 *		
1.	802-143C	HHCS 3/8-16X2 GR5		
2.	803-014C	NUT HEX 3/8-16 PLT		
3.	804-012C	WASHER FLAT 3/8 SAE PLT		
4.	804-013C	WASHER LOCK SPRING 3/8 PLT		
5.	811-408C	AD 1 1/16MORB 1 1/16MJIC		
6.	829-139C	VALVE SOLENOID 3000PSI 30GPM		
7.	841-490C	EL 3/4 MORB 7/16 MJIC		
8.	841-491C	TEE 7/16 FJIC 7/16 MJIC 7/16 MJIC		
9.	841-492C	EL 1/8 MNPT 7/16 MJIC		
10.	841-493C	HH1/4 ID 9 7/16 FJIC 7/16 FJIC		
11.	841-494C	HH1/4 ID 17 7/16 FJIC 7/16 FJIC		

Label Placement

Applies to HRS3025



30856

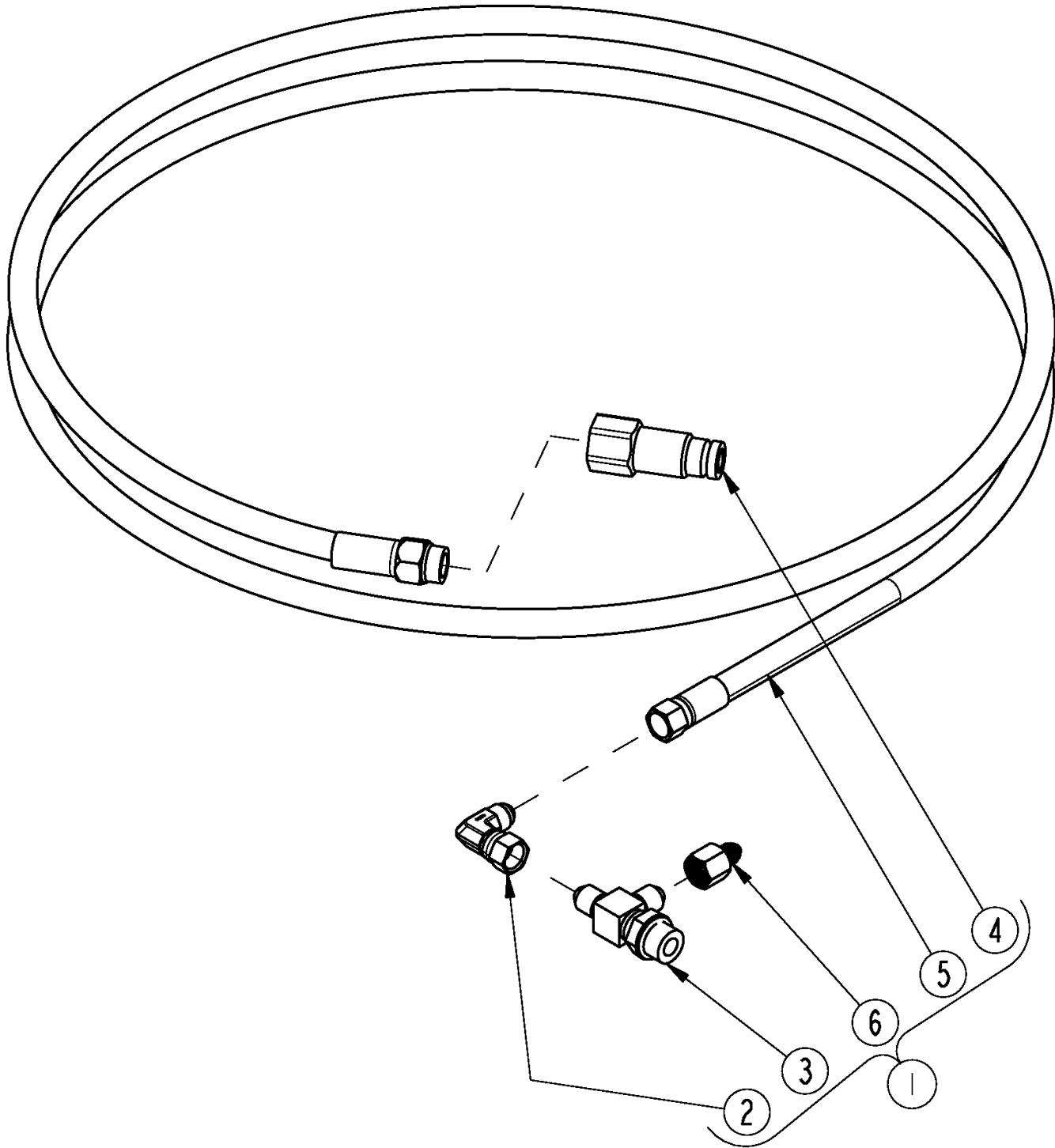
Label Placement

Applies to HRS3025

Ref	Part No.	Part Description	Comments	Revision
	dwg30856	Drawing Image Number		
1.	818-003C	DECAL SLOW MOVING VEHICLE		
2.	818-388C	DECAL - IMPORTANT, OPEN VALVE		
3.	818-389C	DECAL - OIL FILL LINE		
4.	818-831C	DECAL WARNING HIGH PRESSURE		
5.	818-858C	DECAL CAUTION GENERAL SAFETY		
6.	818-859C	DECAL DANGER CRUSH TRACTOR/IMP		
7.	818-898C	DECAL LANDPRIDE 10" - BIEGE		
8.	818-902C	DECAL LANDPRIDE 16" - BIEGE		
9.	848-608C	DECAL HRS3025 - GOLD		

Case Drain Kit W/ Couplers Solenoid Valve

Applies to HRS3025



37011

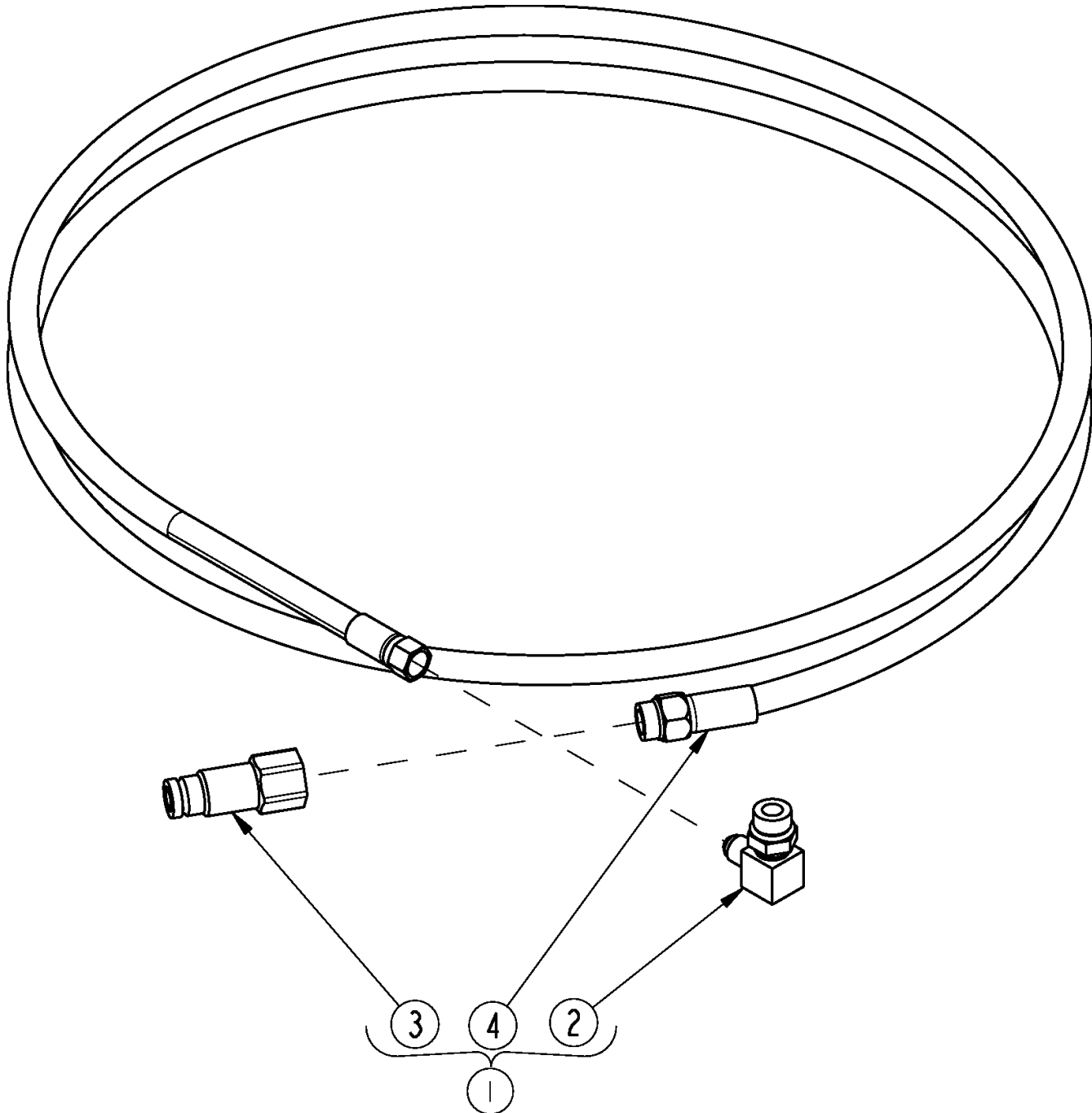
Case Drain Kit W/ Couplers Solenoid Valve

Applies to HRS3025

Ref	Part No.	Part Description	Comments	Revision
	dwg37011	Drawing Image Number		
1.	316-333A	CASE DRAIN KIT FOR SOLENOID		
2.	811-169C	EL 9/16MJIC 9/16FJIC		
3.	811-249C	TE 9/16MJIC 3/4MORB 9/16MJIC		
4.	841-099C	CP 3/4FORB QD FLATFACE		
5.	851-103C	HH3/8R2 285 3/4MORB 9/16FJIC		
6.	851-360C	AD 9/16FJIC 7/16MJIC		

Case Drain Kit W/Couplers S/N 813091+

Applies to HRS3025



35587

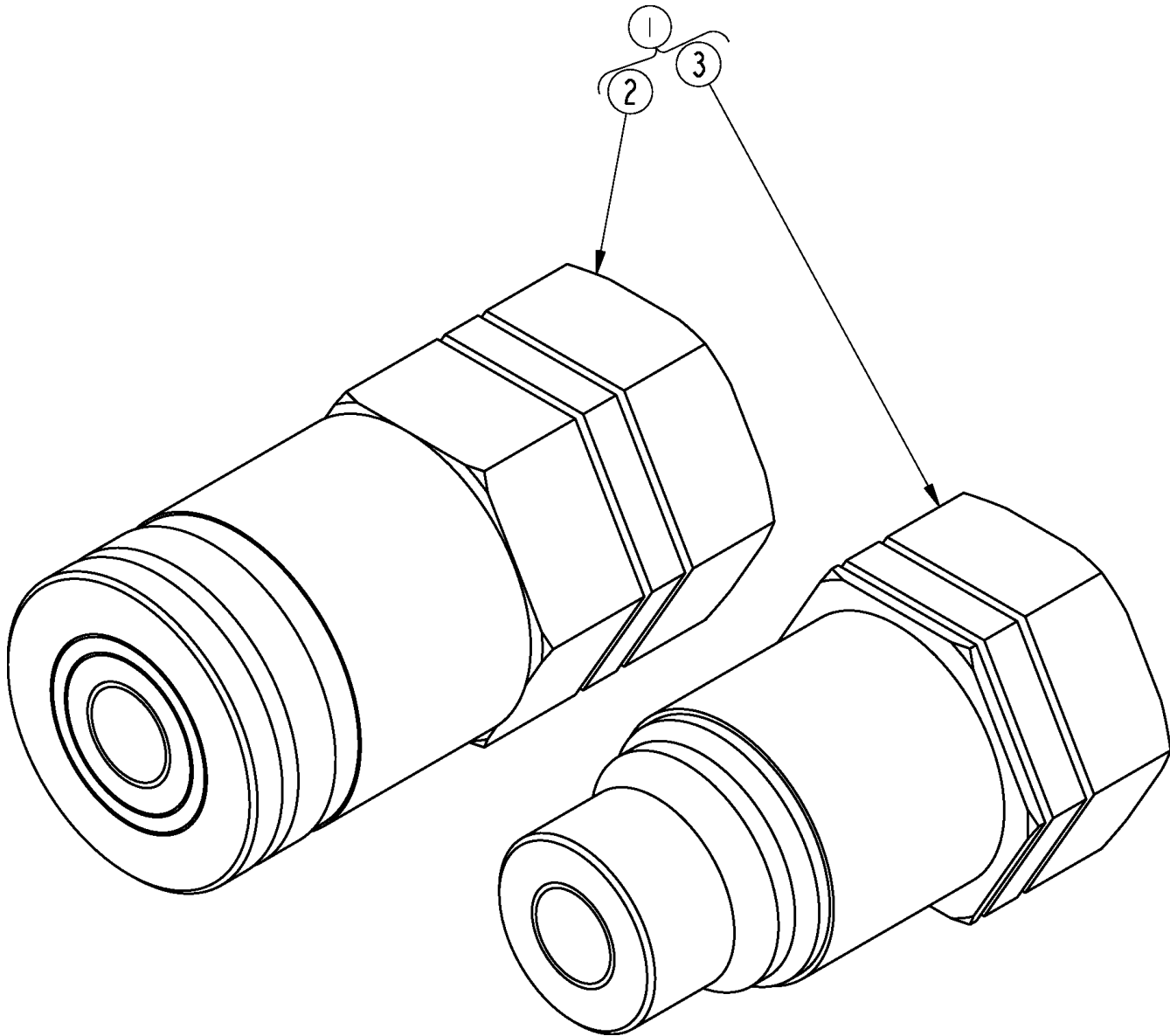
Case Drain Kit W/Couplers S/N 813091+

Applies to HRS3025

Ref	Part No.	Part Description	Comments	Revision
	dwg35587	Drawing Image Number		
1.	316-291A	CASE DRAIN KIT W/ COUPLER		
2.	811-171C	EL 3/4MORB 9/16MJIC		
3.	841-099C	CP 3/4FORB QD FLATFACE		
4.	851-103C	HH3/8R2 285 3/4MORB 9/16FJIC		

Flat Faced Couplers Large S/N 813091+

Applies to HRS3025



35576

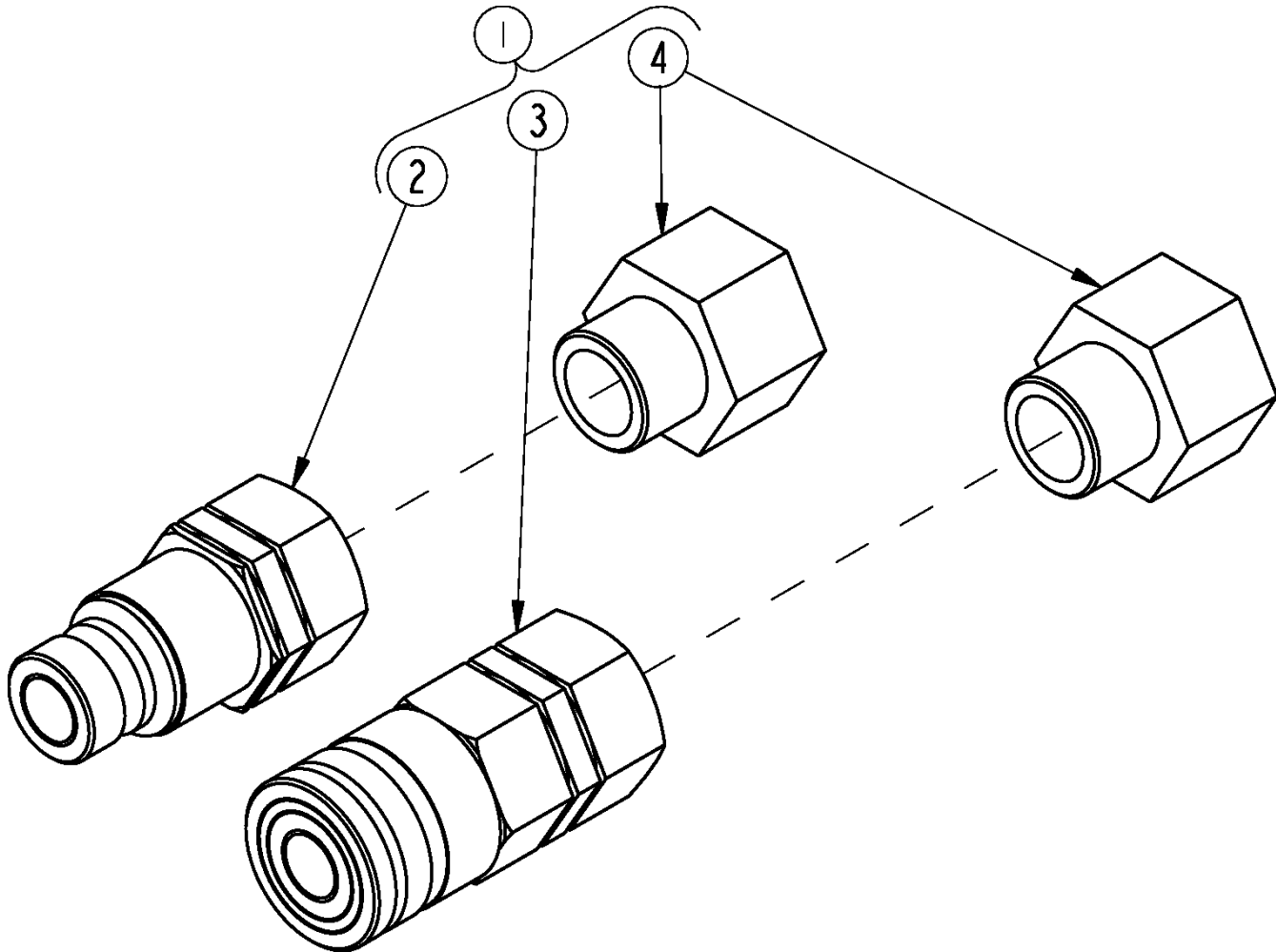
Flat Faced Couplers Large S/N 813091+

Applies to HRS3025

Ref	Part No.	Part Description	Comments	Revision
	dwg35576	Drawing Image Number		
1.	316-289A	LARGE FLAT FACED COUPLERS		
2.	841-957C	CP 1 5/16FORB FEMALE QD		
3.	841-958C	CP 1 5/16FORB MALE QD		

Flat Faced Couplers Small S/N 813091+

Applies to HRS3025



35575

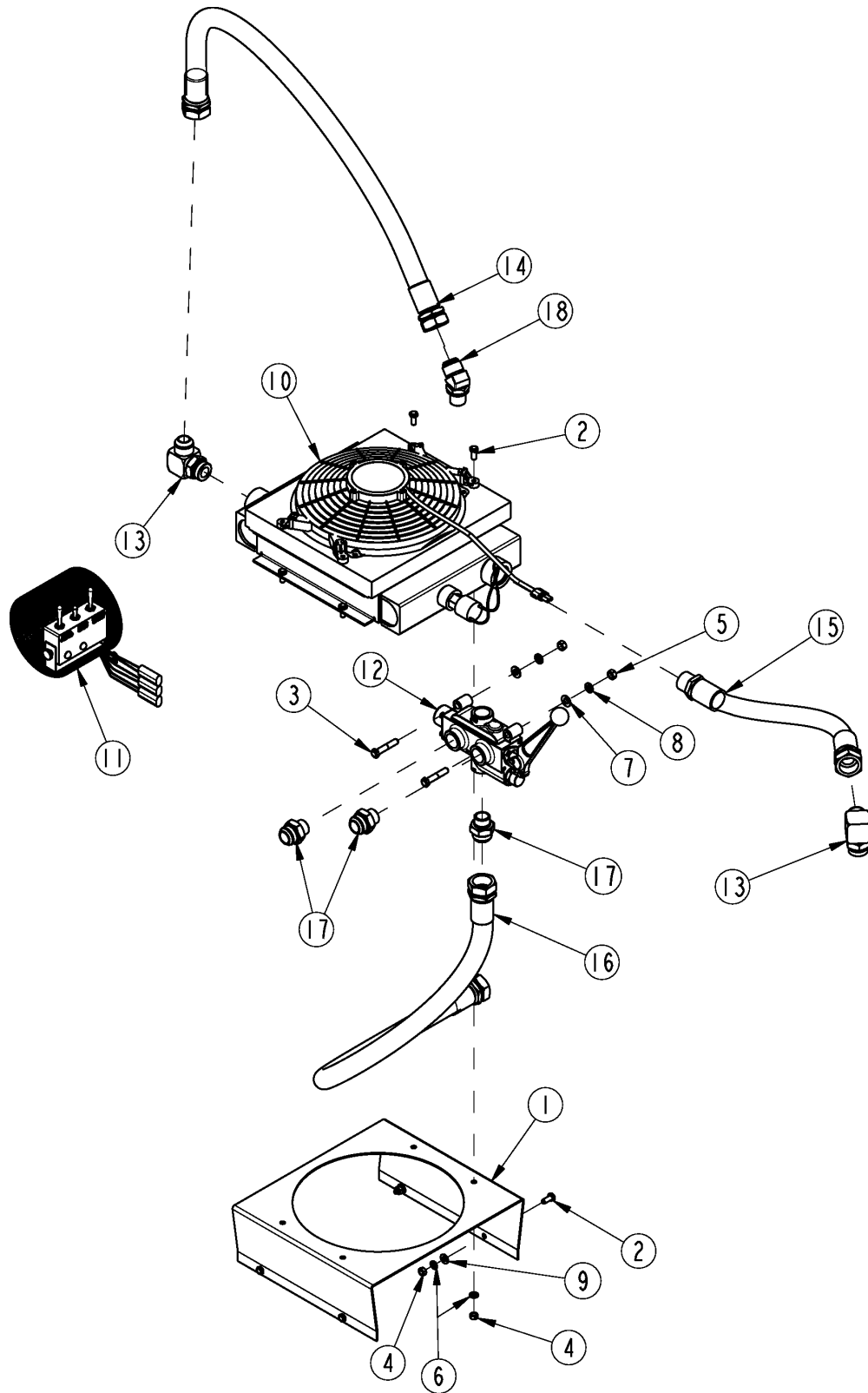
Flat Faced Couplers Small S/N 813091+

Applies to HRS3025

Ref	Part No.	Part Description	Comments	Revision
	dwg35575	Drawing Image Number		
1.	316-290A	SMALL FLAT FACED COUPLERS		
2.	811-744C	CP 1 1/16FORB MALE QUICK		
3.	811-745C	CP 1 1/16FORB FEMALE QUICK		
4.	851-102C	AD 1 5/16FORB 1 1/16MORB		

Manual Valve Option W/Cooler S/N 813091+

Applies to HRS3025



35584

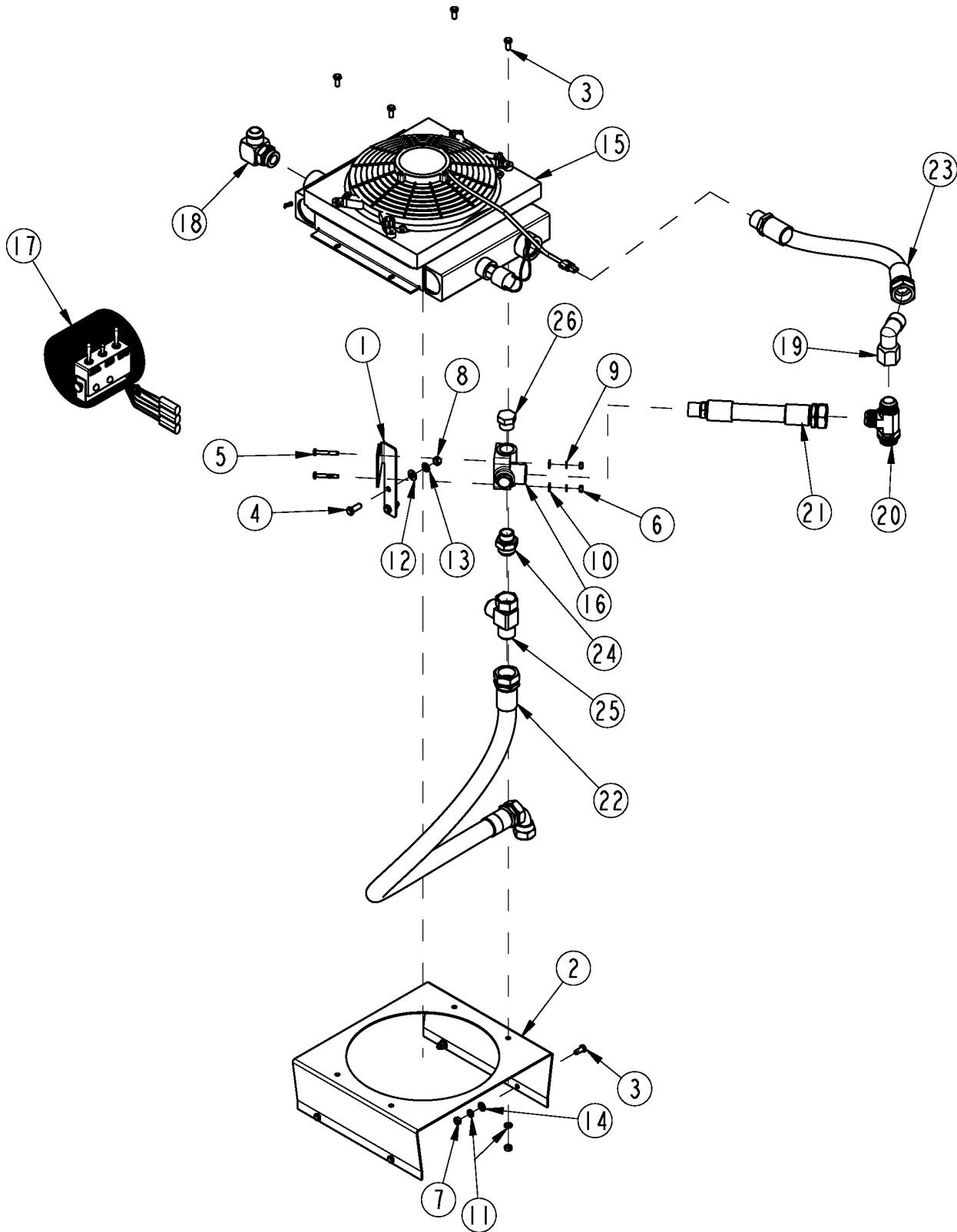
Manual Valve Option W/Cooler S/N 813091+

Applies to HRS3025

Ref	Part No.	Part Description	Comments	Revision
	dwg35584	Drawing Image Number		
1.	316-349D	COOLER MNT 3025		
2.	802-007C	HHCS 5/16-18X3/4 GR5		
3.	802-143C	HHCS 3/8-16X2 GR5		
4.	803-008C	NUT HEX 5/16-18 PLT		
5.	803-014C	NUT HEX 3/8-16 PLT		
6.	804-009C	WASHER LOCK SPRING 5/16 PLT		
7.	804-012C	WASHER FLAT 3/8 SAE PLT		
8.	804-013C	WASHER LOCK SPRING 3/8 PLT		
9.	804-036C	WASHER FLAT 5/16 SAE PLT		
10.	810-703C	OIL COOLER 3025		
11.	823-361C	SWITCHBOX AND HARNESS HRS		
12.	829-138C	VALVE MANUAL 3000 PSI 30GPM		
13.	841-609C	EL 1 5/16MORB 1 5/16MJIC		
14.	841-963C	HH1R17 40 1 5/16FJIC		
15.	841-964C	HH1R17 21 1 5/16FJIC/MORB		
16.	841-965C	HH1R17 34 1 5/16FJIC		
17.	851-067C	AD 1 1/6MORB 1 5/16MJIC		
18.	851-069C	EL 45 1 1/16MORB 1 5/16MJIC		

No Valve Option W/Cooler S/N 813091+

Applies to HRS3025



35583

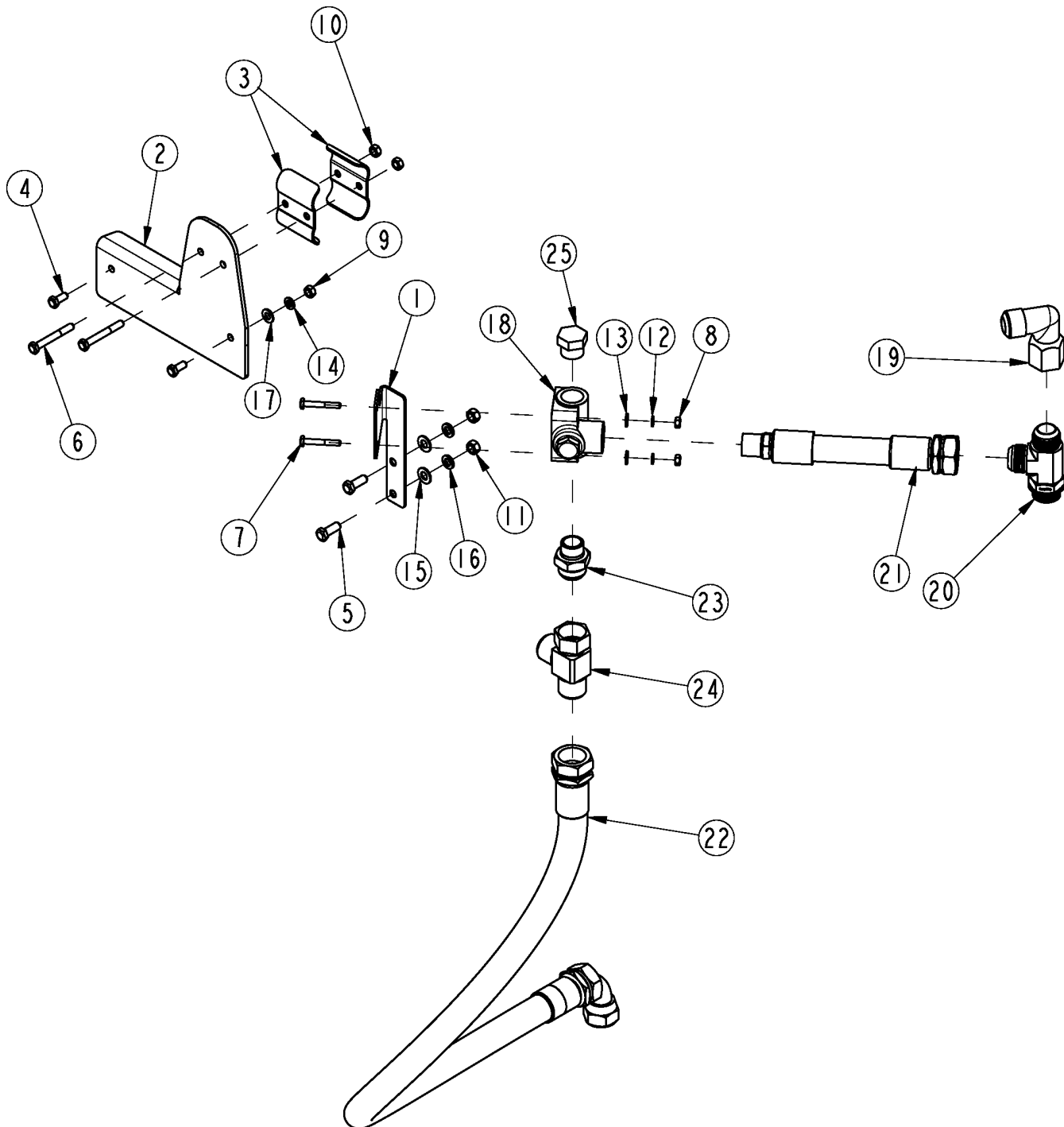
No Valve Option W/Cooler S/N 813091+

Applies to HRS3025

Ref	Part No.	Part Description	Comments	Revision
	dwg35583	Drawing Image Number		
1.	316-348D	RELIEF VALVE MOUNT 3000 PSI		
2.	316-349D	COOLER MNT 3025		
3.	802-007C	HHCS 5/16-18X3/4 GR5		
4.	802-017C	HHCS 3/8-16X1 GR5		
5.	802-370C	HHCS 1/4-20X1 3/4 GR5		
6.	803-006C	NUT HEX 1/4-20 PLT		
7.	803-008C	NUT HEX 5/16-18 PLT		
8.	803-014C	NUT HEX 3/8-16 PLT		
9.	804-006C	WASHER LOCK SPRING 1/4 PLT		
10.	804-007C	WASHER FLAT 1/4 SAE PLT		
11.	804-009C	WASHER LOCK SPRING 5/16 PLT		
12.	804-012C	WASHER FLAT 3/8 SAE PLT		
13.	804-013C	WASHER LOCK SPRING 3/8 PLT		
14.	804-036C	WASHER FLAT 5/16 SAE PLT		
15.	810-703C	OIL COOLER 3025		
16.	810-819C	RELIEF VALVE 3000 PSI		
17.	823-361C	SWITCHBOX AND HARNESS HRS		
18.	841-609C	EL 1 5/16MORB 1 5/16MJIC		
19.	841-815C	EL 1 5/16FJIC 1 5/16MJIC		
20.	841-961C	TEE 1.31MJIC 1.31MJIC 1.31MORB		
21.	841-962C	HH1R17 10 1/4 1.31FJIC1.06MORB		
22.	841-963C	HH1R17 40 1 5/16FJIC		
23.	841-964C	HH1R17 21 1 5/16FJIC/MORB		
24.	851-067C	AD 1 1/6MORB 1 5/16MJIC		
25.	851-100C	TEE 1.31MJIC 1.31MJIC 1.31FJIC		
26.	851-101C	PLUG 1 1/16MORB		

No Valve WO/Cooler S/N 813091+

Applies to HRS3025



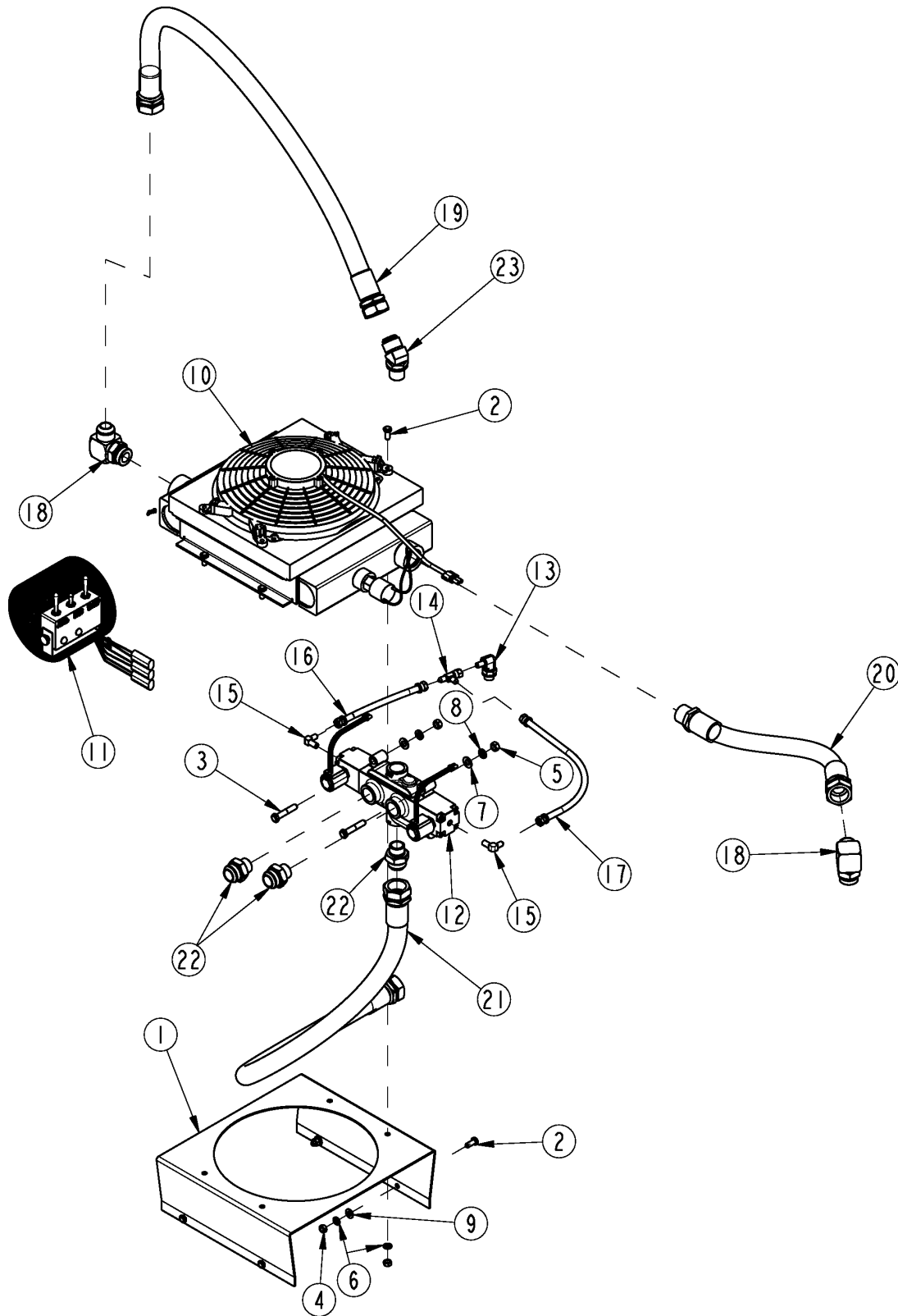
35586

No Valve WO/Cooler S/N 813091+**Applies to HRS3025**

Ref	Part No.	Part Description	Comments	Revision
	dwg35586	Drawing Image Number		
1.	316-348D	RELIEF VALVE MOUNT 3000 PSI		
2.	316-380D	HOSE CLAMP MNT		
3.	502-068D	HYD HOSE CLAMP BRACKET		
4.	802-007C	HHCS 5/16-18X3/4 GR5		
5.	802-017C	HHCS 3/8-16X1 GR5		
6.	802-172C	HHCS 5/16-18X2 1/2 GR5		
7.	802-370C	HHCS 1/4-20X1 3/4 GR5		
8.	803-006C	NUT HEX 1/4-20 PLT		
9.	803-008C	NUT HEX 5/16-18 PLT		
10.	803-011C	NUT LOCK 5/16-18 PLT		
11.	803-014C	NUT HEX 3/8-16 PLT		
12.	804-006C	WASHER LOCK SPRING 1/4 PLT		
13.	804-007C	WASHER FLAT 1/4 SAE PLT		
14.	804-009C	WASHER LOCK SPRING 5/16 PLT		
15.	804-012C	WASHER FLAT 3/8 SAE PLT		
16.	804-013C	WASHER LOCK SPRING 3/8 PLT		
17.	804-036C	WASHER FLAT 5/16 SAE PLT		
18.	810-819C	RELIEF VALVE 3000 PSI		
19.	841-815C	EL 1 5/16FJIC 1 5/16MJIC		
20.	841-961C	TEE 1.31MJIC 1.31MJIC 1.31MORB		
21.	841-962C	HH1R17 10 1/4 1.31FJIC1.06MORB		
22.	841-963C	HH1R17 40 1 5/16FJIC		
23.	851-067C	AD 1 1/6MORB 1 5/16MJIC		
24.	851-100C	TEE 1.31MJIC 1.31MJIC 1.31FJIC		
25.	851-101C	PLUG 1 1/16MORB		

Solenoid Valve Option W/Cooler S/N 813091+

Applies to HRS3025



35585

Solenoid Valve Option W/Cooler S/N 813091+

Applies to HRS3025

Ref	Part No.	Part Description	Comments	Revision
	dwg35585	Drawing Image Number		
1.	316-349D	COOLER MNT 3025		
2.	802-007C	HHCS 5/16-18X3/4 GR5		
3.	802-143C	HHCS 3/8-16X2 GR5		
4.	803-008C	NUT HEX 5/16-18 PLT		
5.	803-014C	NUT HEX 3/8-16 PLT		
6.	804-009C	WASHER LOCK SPRING 5/16 PLT		
7.	804-012C	WASHER FLAT 3/8 SAE PLT		
8.	804-013C	WASHER LOCK SPRING 3/8 PLT		
9.	804-036C	WASHER FLAT 5/16 SAE PLT		
10.	810-703C	OIL COOLER 3025		
11.	823-361C	SWITCHBOX AND HARNESS HRS		
12.	829-139C	VALVE SOLENOID 3000PSI 30GPM		
13.	841-490C	EL 3/4 MORB 7/16 MJIC		
14.	841-491C	TEE7/16FJIC 7/16MJIC 7/16 MJIC		
15.	841-492C	EL 1/8 MNPT 7/16 MJIC		
16.	841-493C	HH1/4 ID 9 7/16 FJIC 7/16 FJIC		
17.	841-494C	HH1/4ID 17 7/16 FJIC 7/16 FJIC		
18.	841-609C	EL 1 5/16MORB 1 5/16MJIC		
19.	841-963C	HH1R17 40 1 5/16FJIC		
20.	841-964C	HH1R17 21 1 5/16FJIC/MORB		
21.	841-965C	HH1R17 34 1 5/16FJIC		
22.	851-067C	AD 1 1/6MORB 1 5/16MJIC		
23.	851-069C	EL 45 1 1/16MORB 1 5/16MJIC		



Part Number Index

The Part Number Index is a numeric index of all part numbers included in this manual. The index shows what page(s) the part is used on.

Part Number	Page	Part Number	Page	Part Number	Page	Part Number	Page
044321	9	800-125C	11	829-138C	23, 41	dwg30854	21
084099	9	802-007C	21, 41, 43, 45, 47	829-139C	27, 29, 47	dwg30856	31
1004020	9	802-017C	7, 25, 43, 45	841-099C	33, 35	dwg30918	27
1004225	9	802-068C	7	841-153C	21	dwg35078	13
1014012	9	802-079C	11	841-332C	7	dwg35575	39
1213233	9	802-091C	11	841-363C	25	dwg35576	37
1351.001.009	15	802-143C	23, 29, 41, 47	841-403C	19	dwg35583	43
1351.002.009	15	802-172C	45	841-404C	21	dwg35584	41
1351.006.041	15	802-370C	25, 43, 45	841-405C	7	dwg35585	47
1351.010.042	15	802-458C	11	841-470C	7	dwg35586	45
1351.011.026	15	802-540C	11	841-490C	29, 47	dwg35587	35
1351.012.076	15	803-006C	25, 43, 45	841-491C	29, 47	dwg37011	33
1524045	9	803-008C	21, 41, 43, 45, 47	841-492C	29, 47		
1525045	9	803-011C	45	841-493C	29, 47		
1704027	9	803-014C	11, 23, 25, 29, 41, 43, 45, 47	841-494C	29, 47		
1704029	9			841-495C	11		
1784210	9	803-020C	11	841-496C	11		
1784211	9	803-027C	7	841-497C	11		
1784212	9	803-222C	7	841-501C	25		
1872037	9	804-006C	7, 25, 43, 45	841-502C	25		
1873037	9	804-007C	25, 43, 45	841-609C	11, 41, 43, 47		
1884201	9	804-009C	21, 41, 43, 45, 47	841-815C	43, 45		
1884202	9	804-012C	7, 23, 25, 29, 41, 43, 45, 47	841-957C	37		
1884203	9			841-958C	37		
1884205	9	804-013C	7, 11, 23, 25, 29, 41, 43, 45, 47	841-960C	7		
1A0291	27			841-961C	43, 45		
1A0663	27	804-015C	11	841-962C	43, 45		
1A0706	27	804-023C	7	841-963C	11, 41, 43, 45, 47		
1A0757	27	804-036C	21, 41, 43, 45, 47	841-964C	41, 43, 47		
1A9330	27	804-077C	11	841-965C	41, 47		
1A9340	27	805-065C	7	848-608C	31		
1A9341	27	805-103C	7	851-067C	41, 43, 45, 47		
1A9342	27	805-407C	7	851-069C	41, 47		
1R0037	27	8050.505.000	13	851-100C	43, 45		
1V0081	27	8050.576.000	13	851-101C	43, 45		
1V1725	27	8075.200.000	13	851-102C	39		
1V2062	27	810-703C	21, 41, 43, 47	851-103C	33, 35		
1V2063	27	810-819C	25, 43, 45	851-360C	33		
1V2120	27	810-820C	11, 17	851-468C	11		
1V2136	27	810-825C	11, 17	8575.267.000	13		
1V3636	27	810-826C	17	8600.142.000	13		
2072.003.542	13	810-827C	17	8600.149.000	13		
2073.001.109	13	811-169C	33	8600.390.000	13		
2073.002.109	13	811-171C	35	8600.670.000	13		
2073.004.426	13	811-249C	33	8625.140.000	13		
2073.010.542	13	811-408C	23, 25, 29	8675.188.100	13		
2A0079-424	27	811-567C	11, 21	8675.201.100	13		
2A0283-7007	27	811-744C	7, 39	890-455C	7		
2A0283-9027	27	811-745C	7, 39	891-149C	7		
2A0349-2	27	8125.418.001	13	891-213C	7		
2A0736-304	27	816-504C	7	9020.355.000	15		
311-101H	7	816-643C	7	9020.365.000	15		
316-250A	19	818-003C	31	9050.253.000	15		
316-251A	19, 23	818-388C	31	9110.345.000	13, 15		
316-252A	19, 29	818-389C	31	9110.385.000	15		
316-264S	7	818-540C	9	9120.215.000	15		
316-289A	37	818-552C	9	9490.310.000	15		
316-290A	39	818-831C	31	9510.090.000	15		
316-291A	35	818-858C	31	9510.105.500	15		
316-333A	33	818-859C	31	9510.106.000	15		
316-341D	11	818-898C	31	9510.560.000	15		
316-342D	11	818-902C	31	9540.252.080	15		
316-348D	25, 43, 45	8200.308.000	13	dwg12301	15		
316-349D	21, 41, 43, 47	8225.248.000	13	dwg22202	9		
316-380D	45	823-361C	21, 41, 43, 47	dwg30547	7		
322-009D	7	826-108C	11, 13, 15	dwg30548	11		
502-068D	45	826-109C	11	dwg30553	19		
6330855	9	826-140C	9, 11	dwg30554	25		
6330860	9	826-552C	9	dwg30555	17, 23		
800-066C	7	829-137C	7	dwg30556	29		

This Page Intentionally Left Blank



Great Plains Manufacturing, Inc.

Corporate Office: P.O. Box 5060
Salina, Kansas 67402-5060 USA

www.landpride.com

Free Manuals Download Website

<http://myh66.com>

<http://usermanuals.us>

<http://www.somanuals.com>

<http://www.4manuals.cc>

<http://www.manual-lib.com>

<http://www.404manual.com>

<http://www.luxmanual.com>

<http://aubethermostatmanual.com>

Golf course search by state

<http://golfingnear.com>

Email search by domain

<http://emailbydomain.com>

Auto manuals search

<http://auto.somanuals.com>

TV manuals search

<http://tv.somanuals.com>