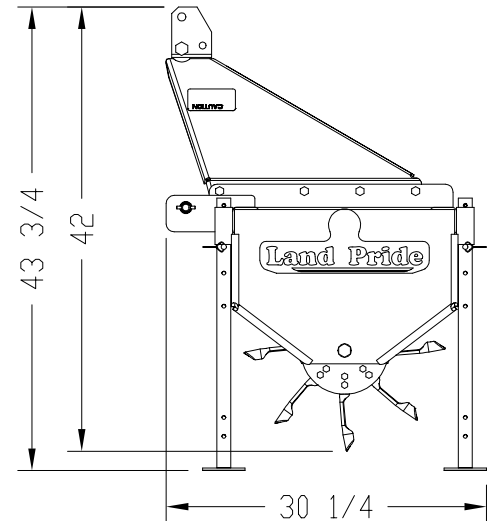
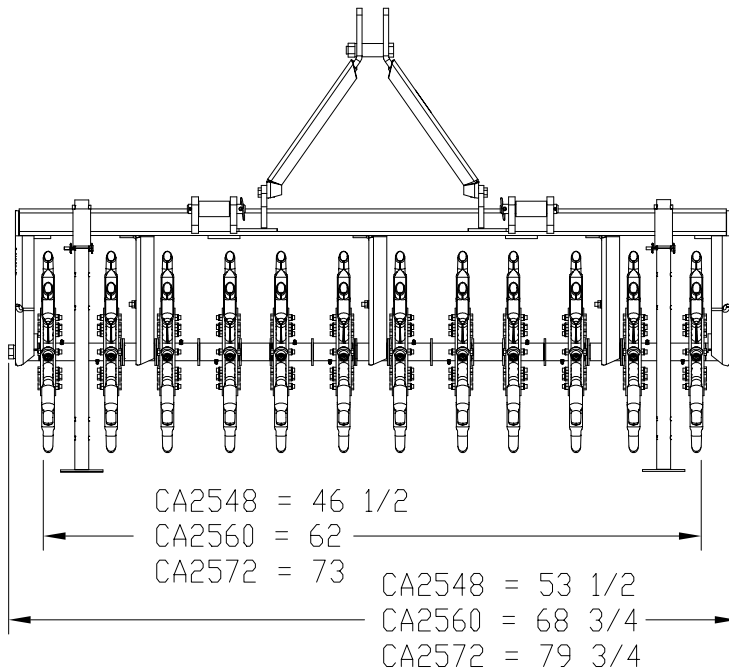


Specifications & Capacities

Core Aerators

CA2572 Series			
Description	CA2548	CA2560	CA2572
Working Width	48"	60"	72"
Overall Width	53 1/2"	68 3/4"	79 3/4"
Front To Back Length	30 1/4"		
Overall Height (With support stands up)	42"		
Weight (w/o added weight)	453#	464#	480#
Number Of Spoons	64	96	96
Frame Construction	Tubing 2 1/2" x 2 1/2" x 3/16"		
Spoon Material	3/4" Closed case hardened Replaceable.		
Spoon Spacing in forward travel	7"		
Spoon Penetration	4 1/2" Depending on ground conditions and added weight.		
Gang Spacing	6 1/2"	5 1/2"	6 1/2"
Number of Gangs	8	12	12
Hitch	Cat. 1 Works with Land Pride Quick Hitch.		
Support	Four corner support stands		
Weight Tank Capacity (Gallons/Weight)	Not Available	29 gallons per tank 490 lbs. Total weight	36 gallons per tank 600 lbs. Total weight



26738

Designs, specifications, features and information are subject to change without notice.

Free Manuals Download Website

<http://myh66.com>

<http://usermanuals.us>

<http://www.somanuals.com>

<http://www.4manuals.cc>

<http://www.manual-lib.com>

<http://www.404manual.com>

<http://www.luxmanual.com>

<http://aubethermostatmanual.com>

Golf course search by state

<http://golfingnear.com>

Email search by domain

<http://emailbydomain.com>

Auto manuals search

<http://auto.somanuals.com>

TV manuals search

<http://tv.somanuals.com>