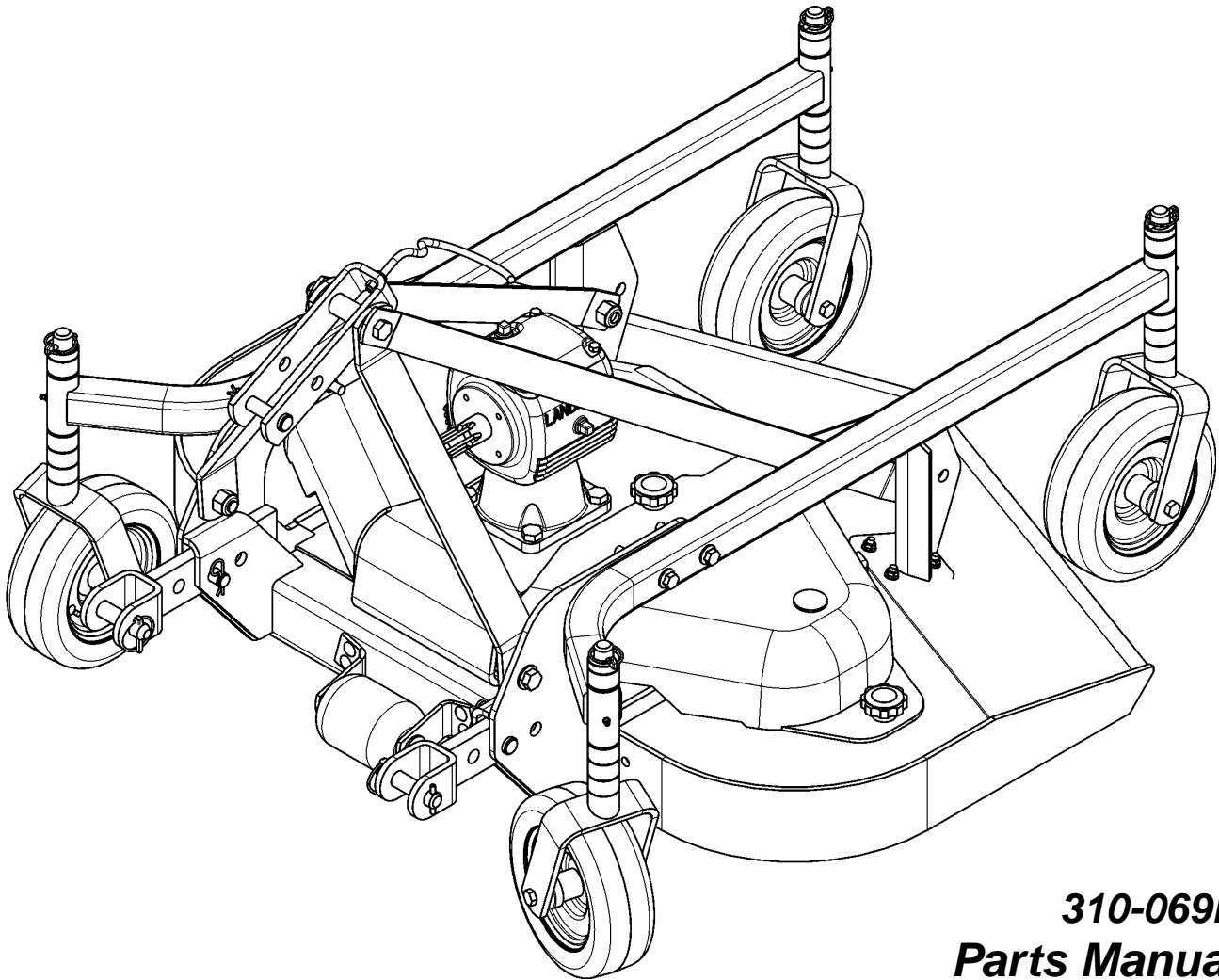


Rear Discharge Grooming Mower

FDR2548, FDR2560, FDR2572, FDR2584 & FDR3590



310-069P
Parts Manual



Read the Operator's manual entirely. When you see this symbol, the subsequent instructions and warnings are serious - follow without exception. Your life and the lives of others depend on it!

© Copyright 2007 Printed 11/06/07

Cover photo may show optional equipment not supplied with standard unit.





Table of Contents

Section 1: Introduction.....4
 Using This Manual.....4
 Manual Replacement Information.....4
 Manual Revisions.....4
 Touch-up Paint.....4
 Hardware Legend.....5
 Replacement Hardware.....5
 Serial Numbers.....5
 Part Number Service Coding.....5

FDR25 SERIES

Section 2: Deck.....6
 Belt Covers.....6
 Front Roller.....8
 Front Roller.....10
 Hitch.....12
 Hitch.....14

Section 3: Gauge Wheel.....16
 Gauge Wheel.....16
 Gauge Wheel Tire (814-071C).....18
 Gauge Wheel Tire (814-144C, 814-191C & 814-271C).....20
 Gauge Wheel Tire (814-146C) (814-188C).....22
 Gauge Wheels.....24

Section 4: Drive.....26
 Belt Drive.....26
 Belt Drive - Gearbox.....30
 Belt Drive - Take-Up.....32

Section 5: Gearboxes.....34
 Gearbox (826-203C) OMNI.....34
 Gearbox (826-204C) OMNI.....36
 Gearbox (826-293C) OMNI.....38
 Gearbox (826-294C) OMNI.....40
 Gearbox (826-311C) OMNI.....42
 Gearbox (826-326C) Comer.....44

Section 6: Drivelines.....46
 Driveline (826-273C) Eurocardan.....46
 Driveline (826-410C) Eurocardan.....48

Section 7: Labels.....50
 Label Placement.....50

FDR35 SERIES

Section 2: Deck.....52
 Belt Guard.....52
 Hitch.....54

Section 3: Gauge Wheels.....56
 Gauge Wheel Tire.....56
 Gauge Wheels Front And Rear.....58

Section 4: Drives.....60
 Belt Drive.....60
 Belt Drive - Takeup.....62

Section 5: Gearboxes.....64
 Gearbox (826-206C) OMNI.....64
 Gearbox (826-296C) OMNI.....66
 Gearbox (826-326C) Comer.....68

Section 6: Drivelines.....70
 Driveline (826-213C) Eurocardan.....70

Section 7: Labels.....72
 Label Placement.....72

Section 8: Options.....74
 Anti-Scalping Front Roller.....74

Part Number Index.....76

© Copyright 2007. All rights reserved.

Land Pride provides this publication "as is" without warranty of any kind, either expressed or implied. While every precaution has been taken in the preparation of this manual, Land Pride assumes no responsibility for errors or omissions. Neither is any liability assumed for damages resulting from the use of the information contained herein. Land Pride reserves the right to revise and improve its products as it sees fit. This publication describes the state of this product at the time of its publication, and may not reflect the product in the future. The illustrations in this manual are not intended for safe and proper assembly or disassembly of equipment. The illustrations are intended for ordering parts only.

Land Pride is registered trademark.

All other brands and product names are trademarks or registered trademarks of their respective holders.

Printed in the United States of America.



Alphabetized Table of Contents

FDR25 SERIES

B

Belt Covers.....	6
Belt Drive.....	26
Belt Drive - Gearbox.....	30
Belt Drive - Take-Up.....	32

D

Driveline (826-273C) Eurocardan.....	46
Driveline (826-410C) Eurocardan.....	48

F

Front Roller.....	8
Front Roller.....	10

G

Gauge Wheel.....	16
Gauge Wheel Tire (814-071C).....	18
Gauge Wheel Tire (814-144C, 814-191C & 814-271C).....	20
Gauge Wheel Tire (814-146C) (814-188C).....	22
Gauge Wheels.....	24
Gearbox (826-203C) OMNI.....	34
Gearbox (826-204C) OMNI.....	36
Gearbox (826-293C) OMNI.....	38
Gearbox (826-294C) OMNI.....	40
Gearbox (826-311C) OMNI.....	42
Gearbox (826-326C) Comer.....	44

H

Hitch.....	12
Hitch.....	14

L

Label Placement.....	50
----------------------	----

FDR35 SERIES

A

Anti-Scalping Front Roller.....	74
---------------------------------	----

B

Belt Drive.....	60
Belt Drive - Takeup.....	62
Belt Guard.....	52

D

Driveline (826-213C) Eurocardan.....	70
--------------------------------------	----

G

Gauge Wheel Tire.....	56
Gauge Wheels Front And Rear.....	58
Gearbox (826-206C) OMNI.....	64
Gearbox (826-296C) OMNI.....	66
Gearbox (826-326C) Comer.....	68

H

Hitch.....	54
------------	----

L

Label Placement.....	72
----------------------	----

General Information

Using This Manual

This manual is divided into sections. The first section contains General Information. The remaining sections divide the machine into segments (i.e. Frames, Drives, Hydraulics, etc.) which illustrate and list all parts. A Parts Number Index is located at the back of the book.

The Land Pride parts in this manual are specially designed for this machine and should be replaced with Land Pride parts only.

The information in this manual is current at time of printing. Some parts may change to assure top performance.

Right-hand and left-hand as used in this manual are determined by facing the direction the machine will travel while in use.

Below is an example of two facing pages from a parts manual. Familiarize yourself with the type of information contained on these pages.

Manual Replacement Information

Replacement manuals are available. Refer to our website at www.landpride.com, the Land Pride Support Center CD or e-mail us at lit@landpride.com for additional information. Our website continues to provide the most up-to-date manuals available.

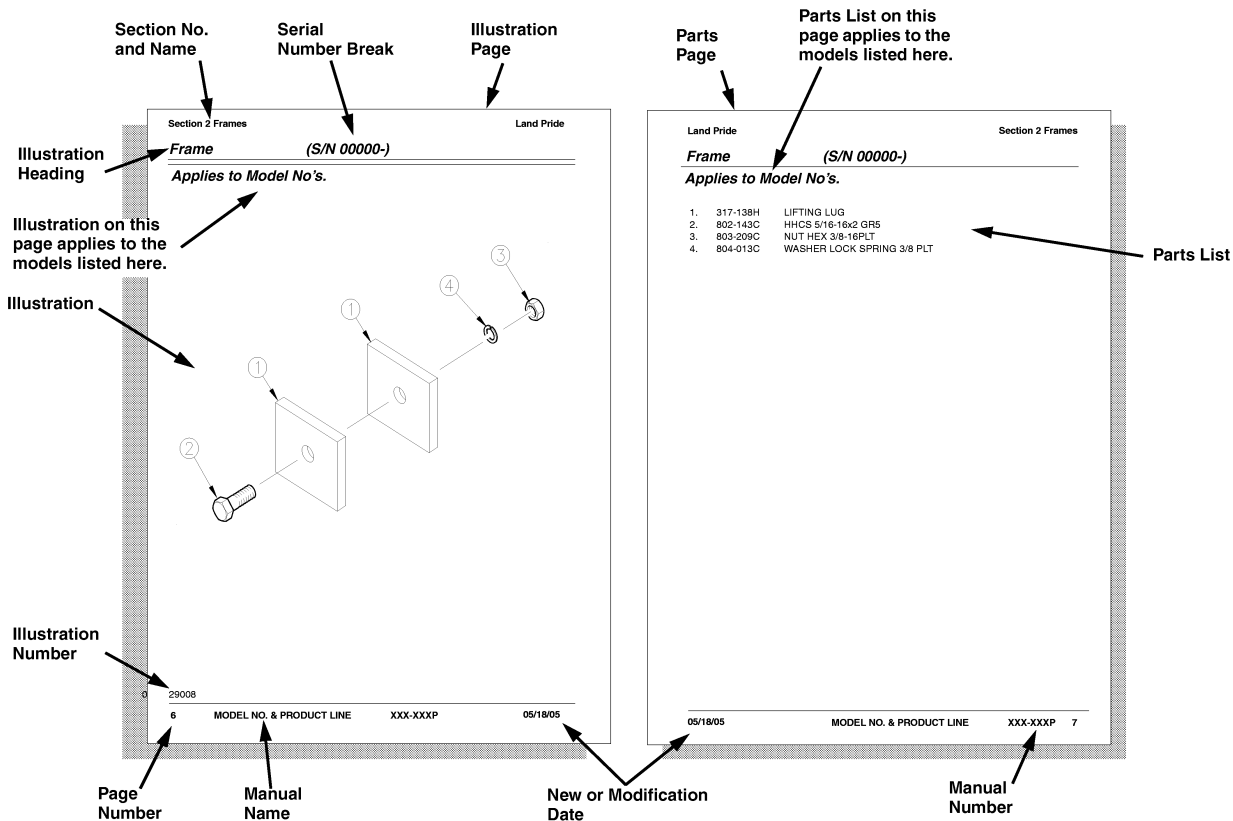
Touch-up Paint

Repaint parts where paint is worn or scratched to prevent rust. Aerosol cans and touch-up bottles with brush applicator are available through your local dealer. Land Pride color descriptions and part numbers are listed below. Also available are quart and gallon size paints. Add QT or GL to end of the Aerosol P/N.

Color	Product ¹	Aerosol	Touch-Up
Gloss Black	LP	821-032C	821-032CTU
Medium Gloss Black	UV	821-053C	821-053CTU
Beige	LP	821-011C	821-011CTU
Green	SLP	821-058C	821-058CTU
Orange	SLP	821-066C	821-066CTU
Red	SLP/UV	821-054C	821-054CTU
Blue	SLP/UV	821-067C	821-067CTU
Dark Green Sparkle	UV	821-055C	821-055CTU
Gondo Forest Green	UV	821-057C	821-057CTU
Brite Yellow ²	UV	821-056C	821-056CTU
Gondo Yellow ³	UV	821-059C	821-059CTU

Notes:

- 1 LP = All Land Pride Products except Utility Vehicles
SLP = Select Land Pride Products that are available in optional Green, Orange, Red, & Blue colors.
UV = Utility Vehicles
- 2 Used on Trekers and (Runabouts with S/N 407628-)
- 3 Used on Gondos and (Runabouts with S/N 407629+)



General Information

Hardware Legend

AR	As Required
BLADE	Blade Bolt
C	Cap Screw
CP	Cotter Pin
CPHSSS	Cup Point Hex Socket Set Screw
CPSHSS	Cup Point Square Head Set Screw
CPSQHSS	Cup Point Square Head Set Screw
CRFCHMS3	Cross Recess Flat Countersunk Head Machine Screw
CRPHMS	Cross Recess Pan Head Machine Screw
CRPHTF	Cross Recess Pan Head Thread Forming
CRRHMS	Cross Recess Round Head Machine Screw
CRTHMS	Cross Recess Truss Head Machine Screw
CSNB	Countersunk Square Neck Bolt
FHMS	Flat Head Machine Screw
FTC	Full Thread Cap Screw
H	Hex Nut
HCLN	Hex Center Lock Nut
HFLCS	Hex Flange Lock Cap Screw
HFS	Hex Flange Screw
HFSLN	Hex Flange Serrated Lock Nut
HFSS	Hex Flange Serrated Screw
HHCS	Hex Head Cap Screw or Metric Bolt
HSBHCS	Hex Socket Button Head Cap Screw
HSFCHCS	Hex Socket Flat Countersunk Head Cap Screw
HSHCS	Hex Socket Head Cap Screw
HSSS	Hex Socket Head Screw
HTLN	Hex Top Lock Nut
HWHCS	Hex Washer Head Cap Screw

HWHMS	Hex Washer Head Machine Screw
HXBHCS	Hex Socket Button Head Cap Screw
J	Hex Jam Nut
JIC	37 Degree Tapered Thread
L	Helical Spring Lock Washer
LUG	Lug Bolt
NFC	National Fine Cap Screw
NPSM	National Pipe Straight Mechanical
NPTF	National Pipe Taper Fuel
P	Wide Plain Washer
PHMS	Pan Head Machine Screw
PLOW	Plow Bolt
RHMS	Round Head Machine Screw
RHSNB	Round Head Square Neck Bolt
SCREW LEVELING	Leveling Screw
SCREW THUMB	Thumb Screw
SCREW WELD	Weld Screw
SFCHMS	Slotted Flat Countersunk Head Machine Screw
SFHMS	Slotted Fillister Head Machine Screw
SP	Special
SP SCREW	Special Screw
SQHSS	Square Head Set Screw
SRHMS	Slotted Round Head Machine Screw
SSS	Socket Set Screw
STCS	Self Tapping Cap Screw
STHMS	Slotted Truss Head Machine Screw
WHEEL	Wheel Studs and Hub Long Bolts
WING	Wing Bolt

Replacement Hardware

The **Hardware Legend** above lists hardware abbreviations used in the parts list. All bolts and nuts are Grade 5 unless otherwise noted. The use of improper grades of hardware can result in personal injury, damage to equipment, or loss of property.

Colored Replacement Parts

Land Pride offers replacement parts in factory standard colors and also on select models in Green, Orange, Red and Blue. Because of the variety of colors available, special attention must be given to the part number to prevent ordering the wrong replacement part.

A suffix number corresponding to one of the colors below must be added at the end of Land Pride's part number when ordering a replacement part with that color.

81 Green 83 Red
82 Orange 84 Blue

For example, if you are ordering a replacement part with part number 555-555C and the part you need is red, then add the suffix 83 to the end of the number to make the part number read 555-555C83. Parts ordered without a suffix number will be supplied in factory standard colors.

Black Replacement Parts

Some parts are factory standard black and some must be special ordered black. If your part is special ordered black, a second part number with the additional suffix number 85 on the end will be available. In this situation you must order that part with the suffix number for it to be black. Parts that are factory standard black will not have the suffix number.

Part Number Service Coding

Within the parts list some part numbers are coded for revisions and interchangeability. See notations in revision column.

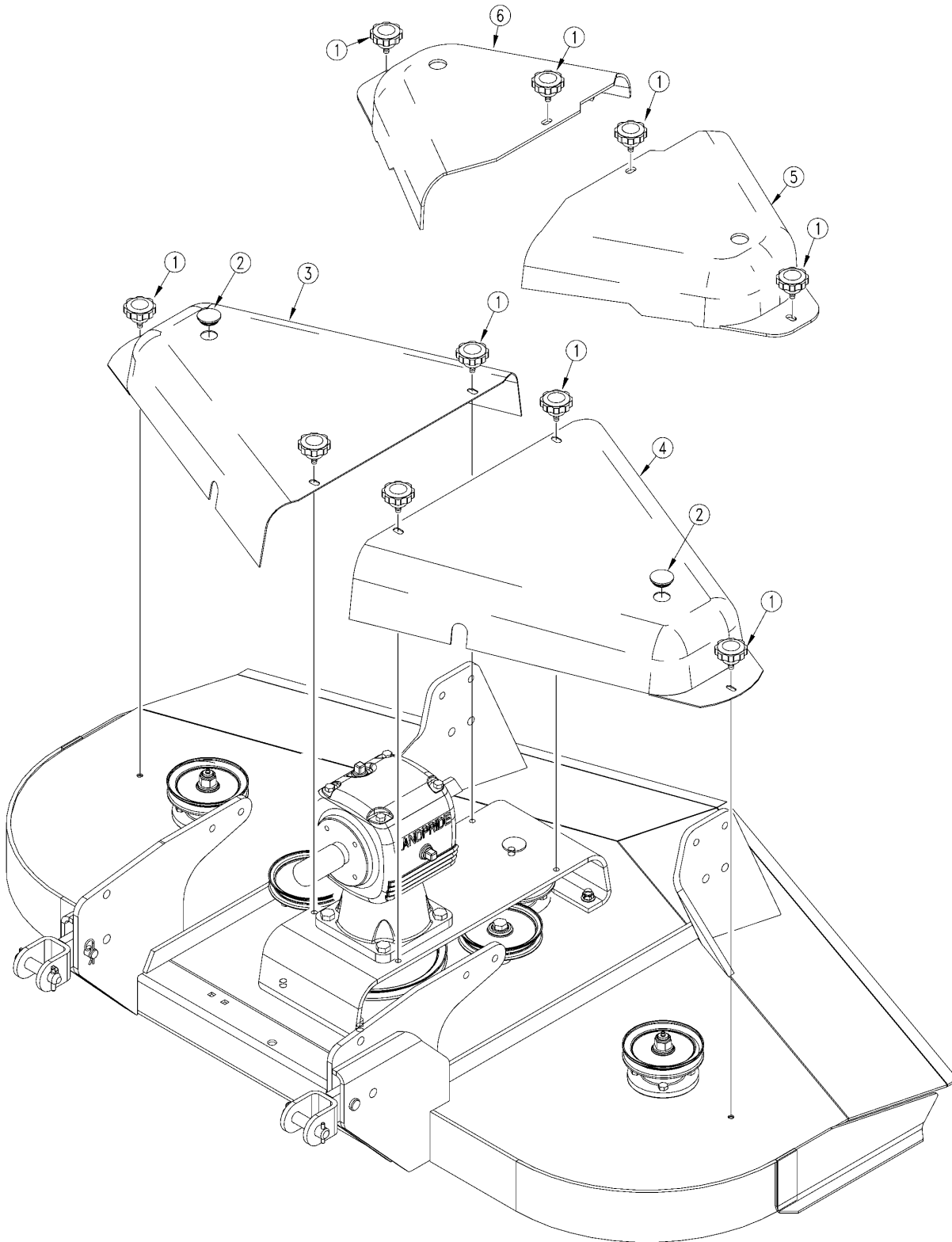
Serial Numbers

Always use the serial and model number when ordering parts. Refer to the Operator's Manual for serial number plate location.

- (S/N 20001+) Includes serial numbers 20001 and above (to the latest number)
- (S/N 10001 to 20000) Includes serial numbers between and including 10001 and 20000
- (S/N 10000-) Includes serial numbers 10000 and below (to the earliest number)

Belt Covers

Applies to FDR2548, FDR2560, FDR2572, FDR2584



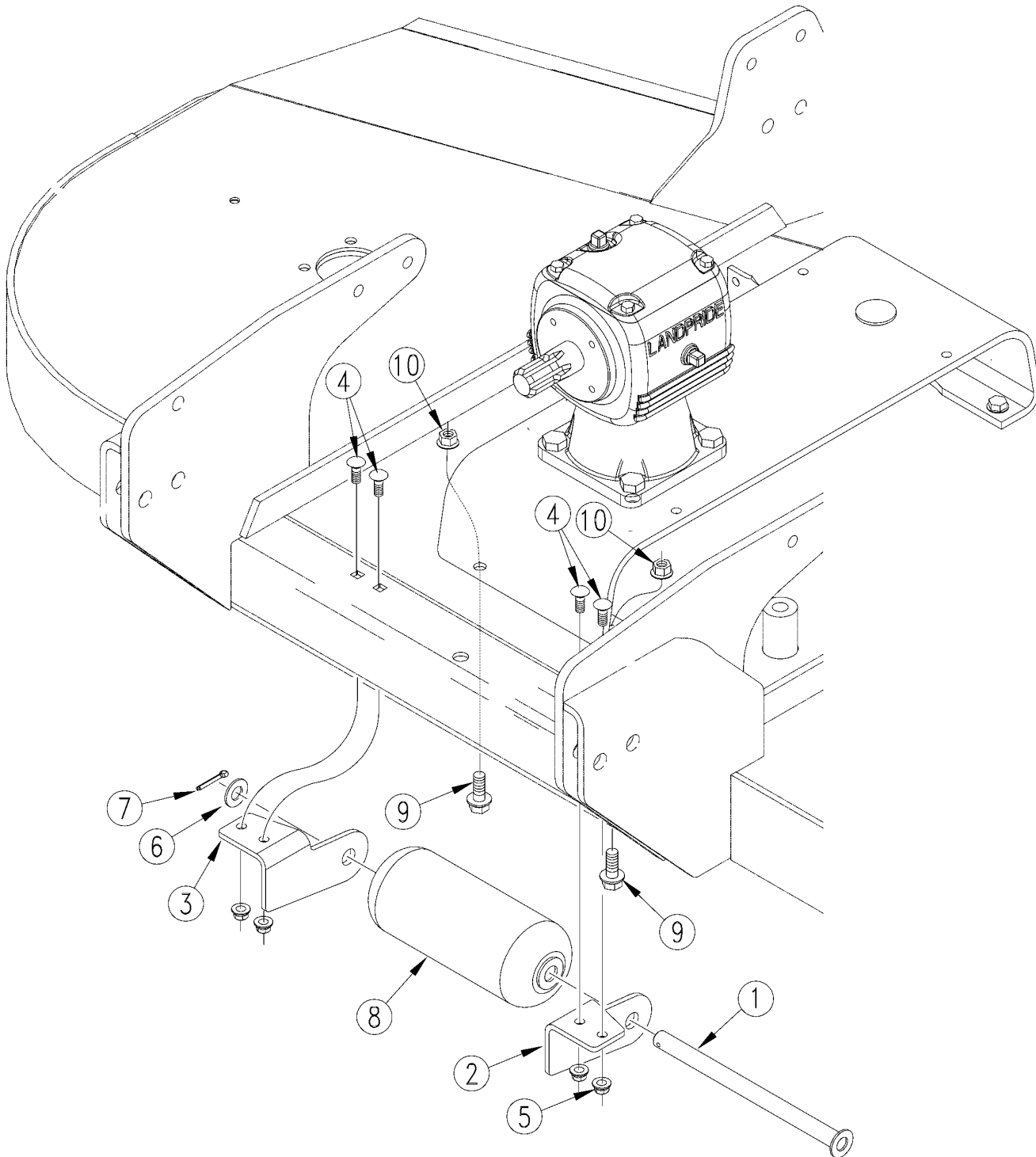
17370

Belt Covers**Applies to FDR2548, FDR2560, FDR2572, FDR2584**

Ref	Part No.	Part Description	Comments	Revision
	dwg17370	Drawing Image Number		
1.	817-358C	KNOB 3/8-16 MALE THD 2 3/8OD		
2.	816-298C	RUBBER PLUG 1 3/8 W/CROSS SLIT		
3.	817-371C	PLASTIC BELT GUARD FDR2584		
3.	817-357C	PLASTIC BELT GUARD FDR2572	Shown	
3.	817-378C	PLASTIC BELT GUARD RH. FDR2560		
4.	817-379C	PLASTIC BELT GUARD LH. FDR2560		
4.	817-371C	PLASTIC BELT GUARD FDR2584		
4.	817-357C	PLASTIC BELT GUARD FDR2572	Shown	
5.	817-442C	PLASTIC BELT GUARD LH.	FDR2548	
6.	817-441C	PLASTIC BELT GUARD RH.	FDR2548	

Front Roller

Applies to FDR2560, FDR2572, FDR2584



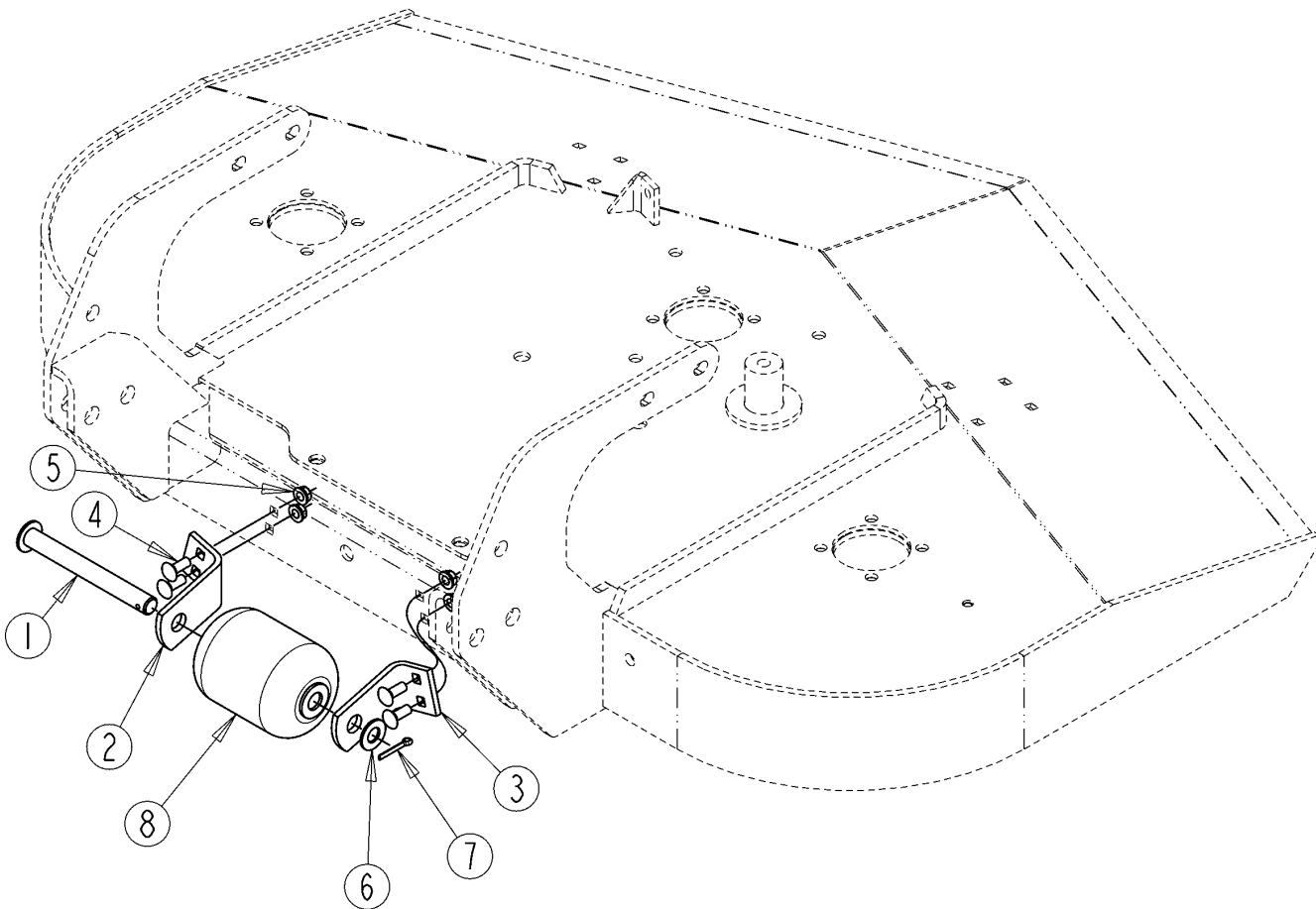
17713

Front Roller**Applies to FDR2560, FDR2572, FDR2584**

Ref	Part No.	Part Description	Comments	Revision
	dwg17713	Drawing Image Number		
	310-254S	FRONT ROLLER ASSY		
1.	310-266H	WLDMT. ROLLER SHAFT		
2.	310-477D	FRONT ROLLER BRACKET RH.		
2.	310-477D82	FRONT ROLLER BRK RH. ORANGE		
3.	310-478D	FRONT ROLLER BRACKET LH.		
3.	310-478D82	FRONT ROLLER BRK LH. ORANGE		
4.	802-015C	RHSNB 3/8-16X1 GR5		
5.	803-198C	NUT HEX WHIZ 3/8-16 PLT		
6.	804-025C	WASHER FLAT 3/4 SAE PLT		
7.	805-016C	PIN COTTER 3/16 X 1 1/4 PLT		
8.	817-049C	4 X 10 ROLLER WHEEL		

Front Roller

Applies to FDR2548



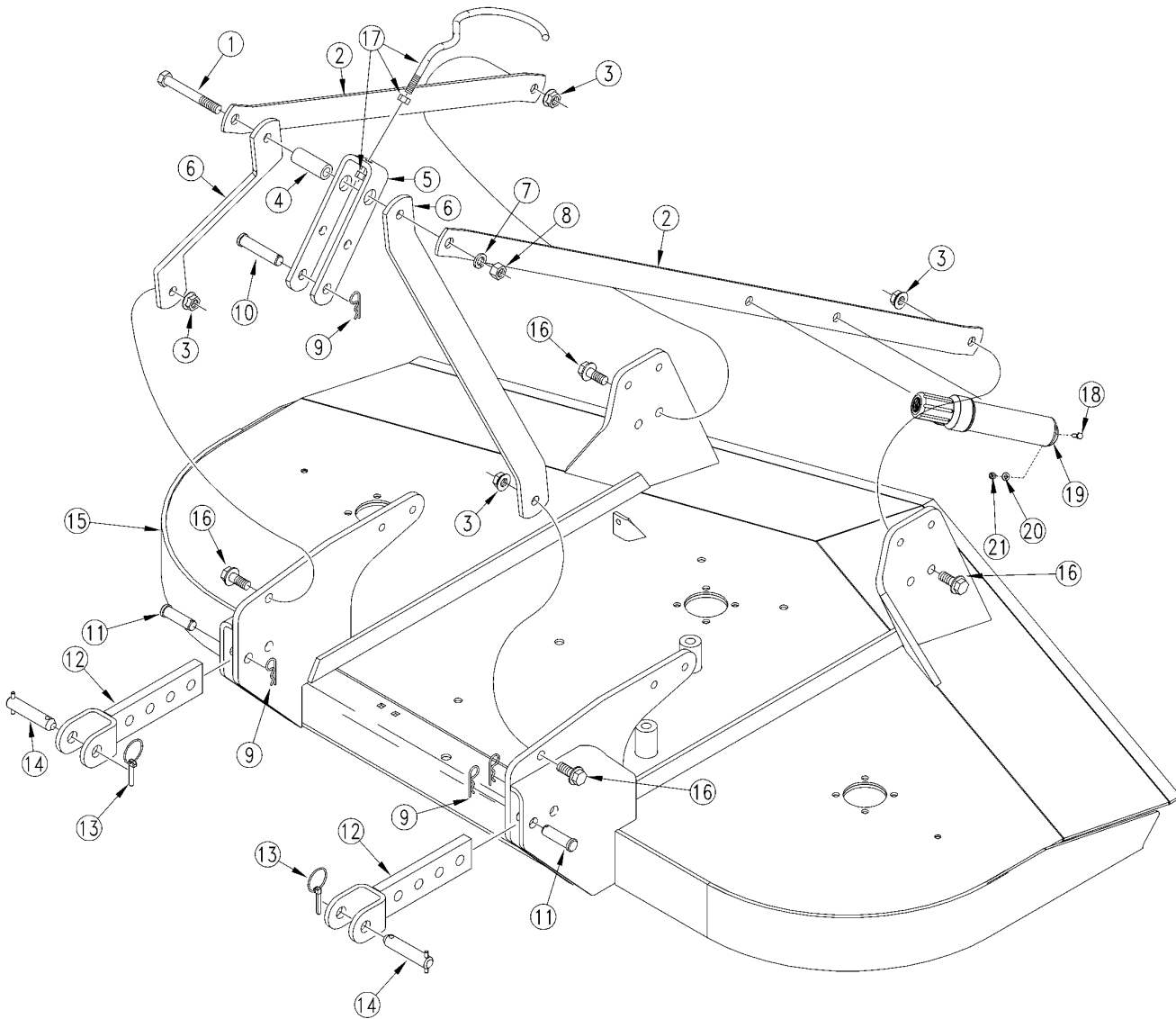
20563

Front Roller**Applies to FDR2548**

Ref	Part No.	Part Description	Comments	Revision
	dwg20563	Drawing Image Number		
	315-516S	ASSY. FRONT ROLLER		
1.	315-515H	WLDMT. ROLLER SHAFT		
2.	315-880D	ROLLER BRACKET RH.		
3.	315-881D	ROLLER BRACKET LH.		
4.	802-015C	RHSNB 3/8-16X1 GR5		
5.	803-198C	NUT HEX WHIZ 3/8-16 PLT		
6.	804-021C	WASHER FLAT 5/8 SAE PLT		
7.	805-016C	PIN COTTER 3/16 X 1 1/4 PLT		
8.	817-082C	4 X 5 1/2 FRONT ROLLER		

Hitch

Applies to FDR2560, FDR2572, FDR2584



17470

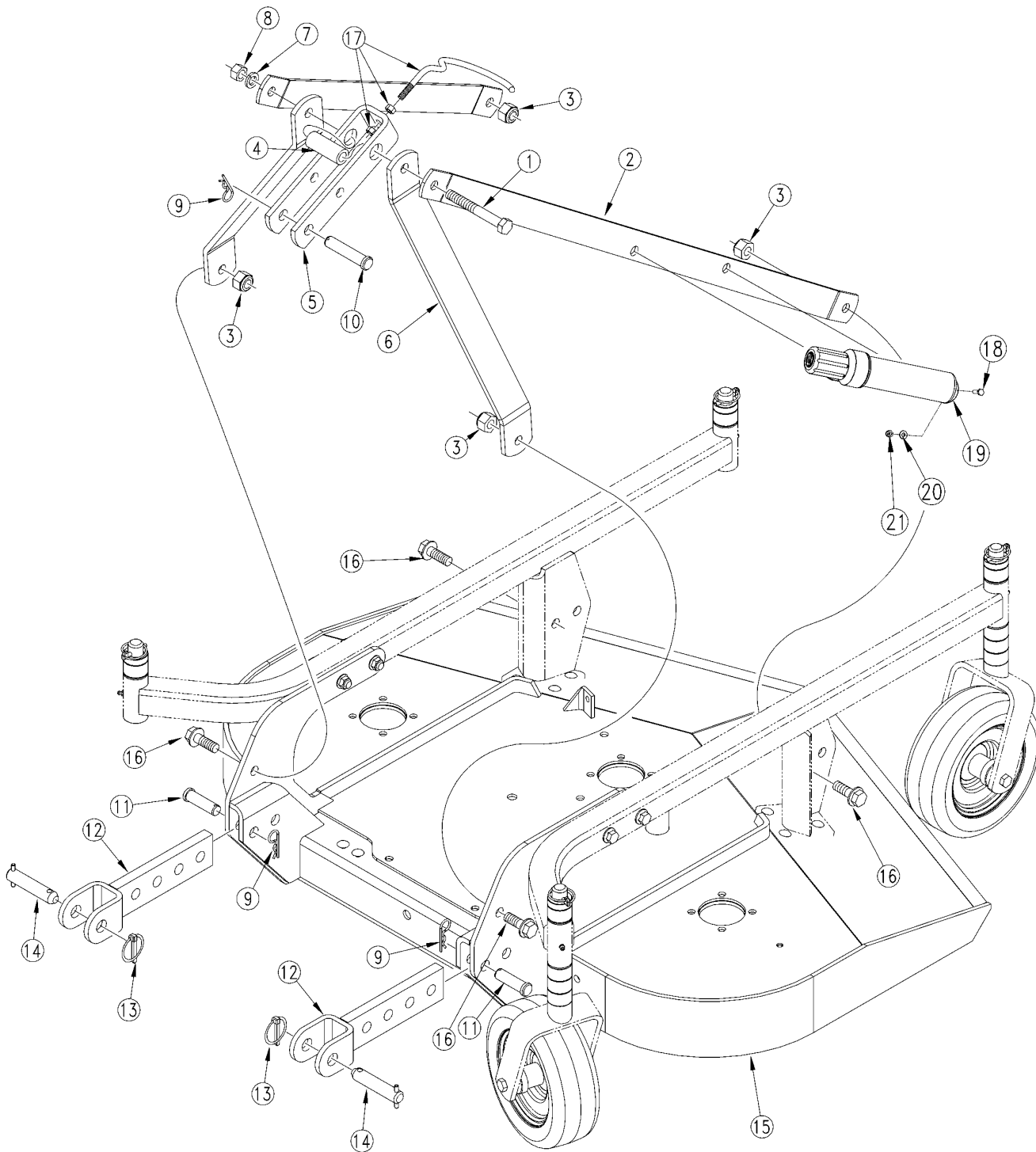
Hitch

Applies to FDR2560, FDR2572, FDR2584

Ref	Part No.	Part Description	Comments	Revision
	dwg17470	Drawing Image Number		
1.	802-242C	HHCS 5/8-18X5 1/2 GR5	(S/N _____+)	
1.	802-307C	HHCS 5/8-18X5 GR5	(S/N _____-)	
2.	310-522D	REAR BRACE	FDR2560	
2.	310-475D	REAR BRACE	FDR2572 Shown	
2.	310-496D	REAR BRACE	FDR2584	
3.	803-263C	NUT HEX FLANGE LOCK 5/8-11 PLT		
4.	312-610D	SPACER TUBE 1 1/8 OD X 3 1/8	(S/N _____+)	
4.	310-012D	SPACER - TOP HITCH	(S/N _____-)	
5.	312-609D	PIVOTING UPPER HITCH	(S/N _____+)	
5.	312-085D	PIVOTING HITCH - UPPER	(S/N _____-)	
6.	310-474D	A-FRAME		
7.	804-022C	WASHER LOCK SPRING 5/8 PLT		
8.	803-022C	NUT HEX 5/8-18 PLT		
9.	805-143C	PIN HAIR COTTER .120 PLT		
10.	805-142C	PIN CLEVIS 3/4 X 3 1/2 PLT		
11.	805-140C	PIN CLEVIS 3/4 X 2 1/2 PLT	Changed to one pin (S/N 267694+)	
12.	310-019H	LOWER HITCH WELDMENT		
13.	805-015C	PIN LYNCH 5/16 X 1 3/4		
14.	310-020S	LOWER HITCH PIN		
15.	310-274H	WELDMENT FDR2560		
15.	310-258H	WELDMENT FDR2572	Shown	
15.	310-258H82	WELDMENT FDR2572 ORANGE		
15.	310-267H	WELDMENT FDR2584		
15.	310-267H82	WELDMENT FDR2584 ORANGE		
16.	802-657C	HFS 5/8-11 X 1 1/2 GR5		
17.	800-320C	DRIVELINE HOOK HANGER W/HRDWR	(S/N 317416+)	
18.	802-005C	HHCS 1/4-20X1 GR5	(S/N _____+)	
19.	816-504C	MANUAL STORAGE CONTAINER	(S/N _____+)	
20.	804-007C	WASHER FLAT 1/4 SAE PLT	(S/N _____+)	
21.	803-255C	NUT HEX NYLOCK 1/4-20	(S/N _____+)	

Hitch

Applies to FDR2548



19267

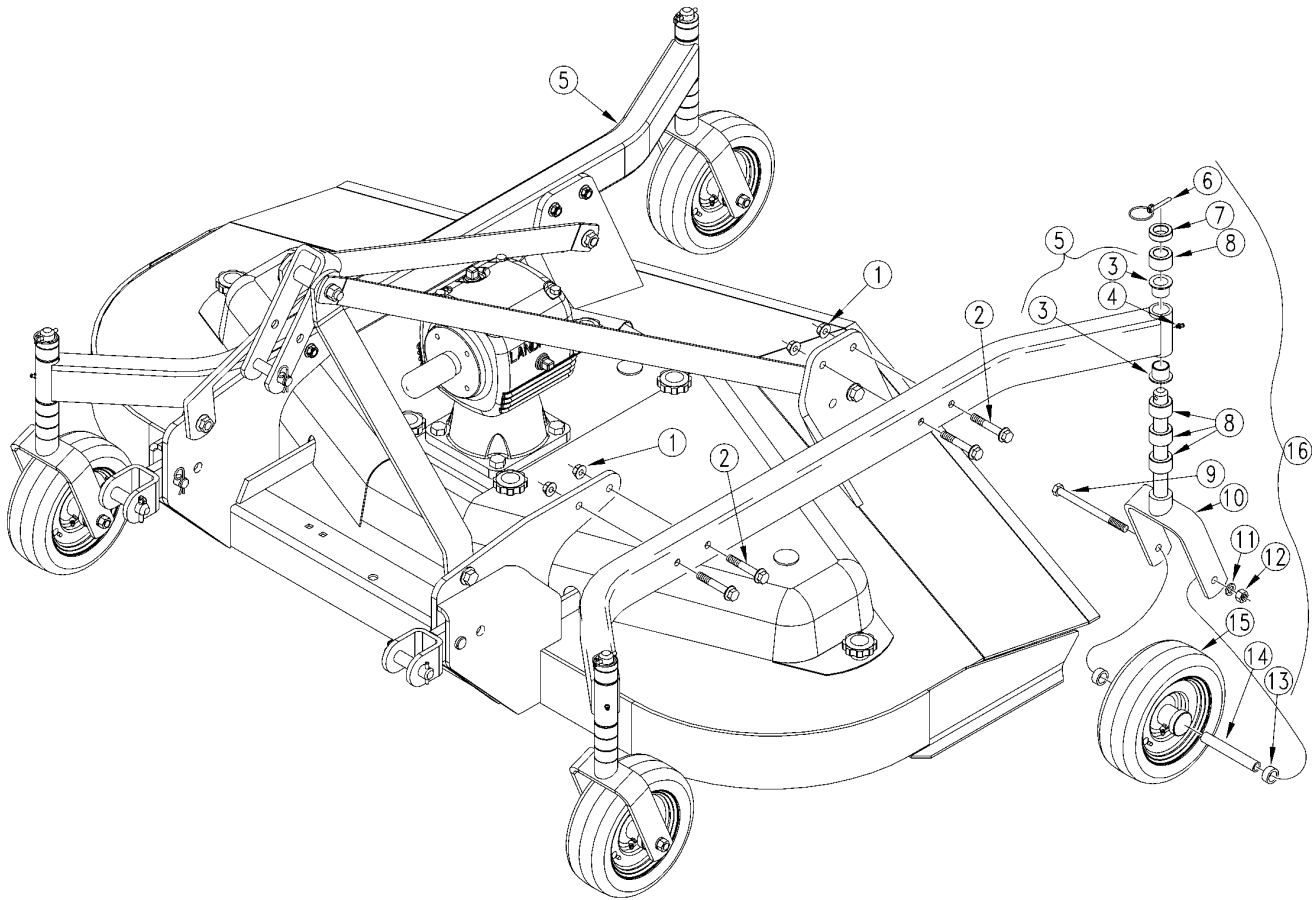
Hitch

Applies to FDR2548

Ref	Part No.	Part Description	Comments	Revision
	dwg19267	Drawing Image Number		
1.	802-242C	HHCS 5/8-18X5 1/2 GR5	S/N _____+	
1.	802-307C	HHCS 5/8-18X5 GR5	S/N _____-	
2.	310-606D	REAR BRACE		
3.	803-263C	NUT HEX FLANGE LOCK 5/8-11 PLT		
4.	312-610D	SPACER TUBE 1 1/8 OD X 3 1/8	S/N _____+	
4.	310-012D	SPACER - TOP HITCH	S/N _____-	
5.	312-609D	PIVOTING UPPER HITCH	S/N _____+	
5.	312-085D	PIVOTING HITCH - UPPER	S/N _____-	
6.	310-605D	A-FRAME		
7.	804-022C	WASHER LOCK SPRING 5/8 PLT		
8.	803-022C	NUT HEX 5/8-18 PLT		
9.	805-143C	PIN HAIR COTTER .120 PLT		
10.	805-142C	PIN CLEVIS 3/4 X 3 1/2 PLT		
11.	805-140C	PIN CLEVIS 3/4 X 2 1/2 PLT		
12.	310-019H	LOWER HITCH WELDMENT		
13.	805-015C	PIN LYNCH 5/16 X 1 3/4		
14.	310-020S	LOWER HITCH PIN		
15.	310-309H	FDR2548 CW DECK WELDMENT		
16.	802-657C	HFS 5/8-11 X 1 1/2 GR5		
17.	800-320C	DRIVELINE HOOK HANGER W/HRDWR		
18.	802-005C	HHCS 1/4-20X1 GR5	S/N _____+	
19.	816-504C	MANUAL STORAGE CONTAINER	S/N _____+	
20.	804-007C	WASHER FLAT 1/4 SAE PLT	S/N _____+	
21.	803-255C	NUT HEX NYLOCK 1/4-20	S/N _____+	

Gauge Wheel

Applies to FDR2560, FDR2572, FDR2584



17367

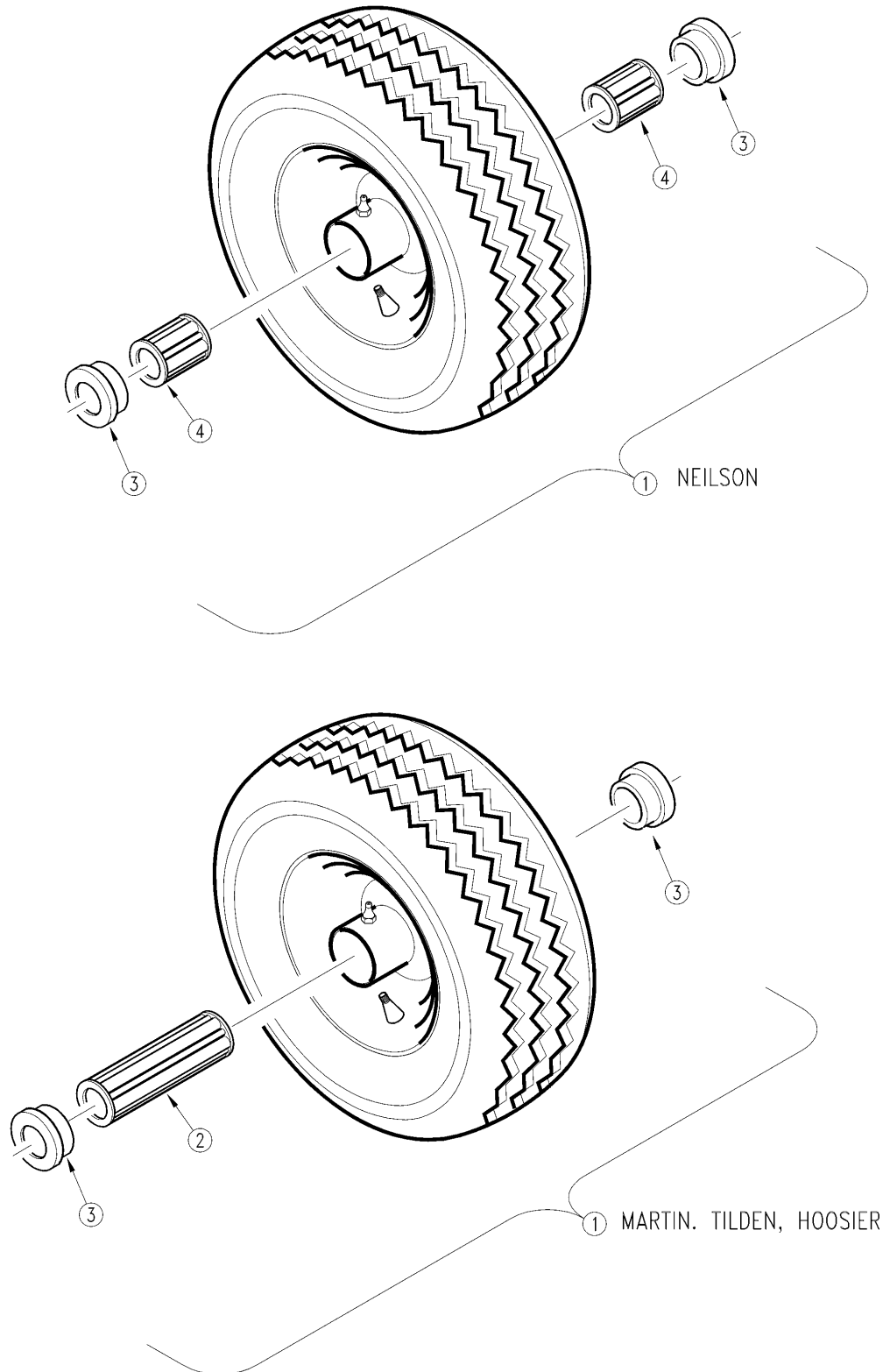
Gauge Wheel

Applies to FDR2560, FDR2572, FDR2584

Ref	Part No.	Part Description	Comments	Revision
	dwg17367	Drawing Image Number		
1.	803-037C	NUT HEX WHIZ 1/2-13 PLT		
2.	802-658C	HFS 1/2-13 X 3 1/2 GR5		
3.	817-048C	SPINDLE BUSHING		
4.	800-001C	GREASE ZERK STRAIGHT 1/4-28		
5.	310-277S	ASSY. GAUGE WHEEL ARM	FDR2560	
5.	310-263S	ASSY. GAUGE WHEEL ARM	FDR2572 Shown	
5.	310-263S82	ASY. GAUGE WHEEL ARM ORANGE		
5.	310-293S	ASSY. GAUGE WHEEL ARM	FDR2584 (S/N 276191+)	Rev. 2 not compat. w/Rev. 1
5.	310-293S82	ASSY. GAUGE WHEEL ARM ORANGE		
5.	310-269S	ASSY. GAUGE WHEEL ARM	FDR2584 (S/N 276190-)	Rev. 1
6.	805-126C	PIN LYNCH 1/4 X 1 3/4 PLT		
7.	827-001C	SPACER 1/2		
8.	827-002C	SPACER 1		
9.	802-350C	HHCS 1/2-20X6 1/2 GR5	FDR2560 & FDR2572	
9.	802-095C	HHCS 3/4-10X7 GR5	FDR2584	
10.	310-149H	GAUGE WHEEL YOKE(5 1/8 INSIDE)	FDR2560 & FDR2572 Shown	
10.	310-149H82	GW YOKE(5 1/8 INSIDE) ORANGE		
10.	315-300H	11' GW YOKE 5 1/8X5 1/8 INSIDE	FDR2584	
10.	315-300H82	11' GW YOKE 5 1/8X5 1/8 INSIDE ORANGE		
11.	804-015C	WASHER LOCK SPRING 1/2 PLT	S/N 511276-	
12.	803-308C	NUT HEX FLG/LK 1/2-20 PLT.GR.G	S/N 511277+	
12.	803-018C	NUT HEX 1/2-20 PLT	FDR2560 & FDR2572 S/N 511276-	
12.	803-025C	NUT HEX 3/4-10 PLT NYLOCK	FDR2584	
13.	310-024D	GAUGE WHEEL SPACER - SHORT	FDR2560 & FDR2572 air tire only	
13.	310-329D	GAUGE WHEEL SPACER(SOLID TIRE)	FDR2560 & FDR2572 solid tire only	
14.	310-328D	SPACER TUBE GA. WHL. 5 1/8 LG	FDR2560 & FDR2572	
15.	814-071C	TIRE 4.10/3.50-4 TUBELESS AIR	FDR2560 & FDR2572 Shown	
15.	814-271C	TIRE 11X4.00-5 RIB SEMI-SOLID	FDR2584 (S/N 444454+)	
15.	814-191C	RPBY 814-271C	FDR2584 (S/N 444453-)	
15.	814-144C	11 X 400-5 RIB TIRE W 3/4 BRGS	FDR2584	
15.	814-188C	TIRE 10X3.25 SOLID STRT RIB CR	FDR2560 & FDR2572 (S/N 260900+)	Rev. 2
15.	814-146C	RPBY 814-188C	FDR2560 & FDR2572 (S/N 260899-)	Rev 1; Use up stock
16.	310-105S	4X10 AIR TIRE & YOKE ASSY	FDR2560 & FDR2572 Shown	
16.	310-314S	11X4 SEMISOLID TIRE W/YOKE SUB	FDR2584 (S/N 444454+)	
16.	315-291S	11X4.00 CASTER GW YOKE	FDR2584 (S/N 444453-)	
16.	310-017S	3.25X10 SOLID TIRE/YOKE ASSY	FDR2560 & FDR2572	

Gauge Wheel Tire (814-071C)

Applies to FDR2560, FDR2572



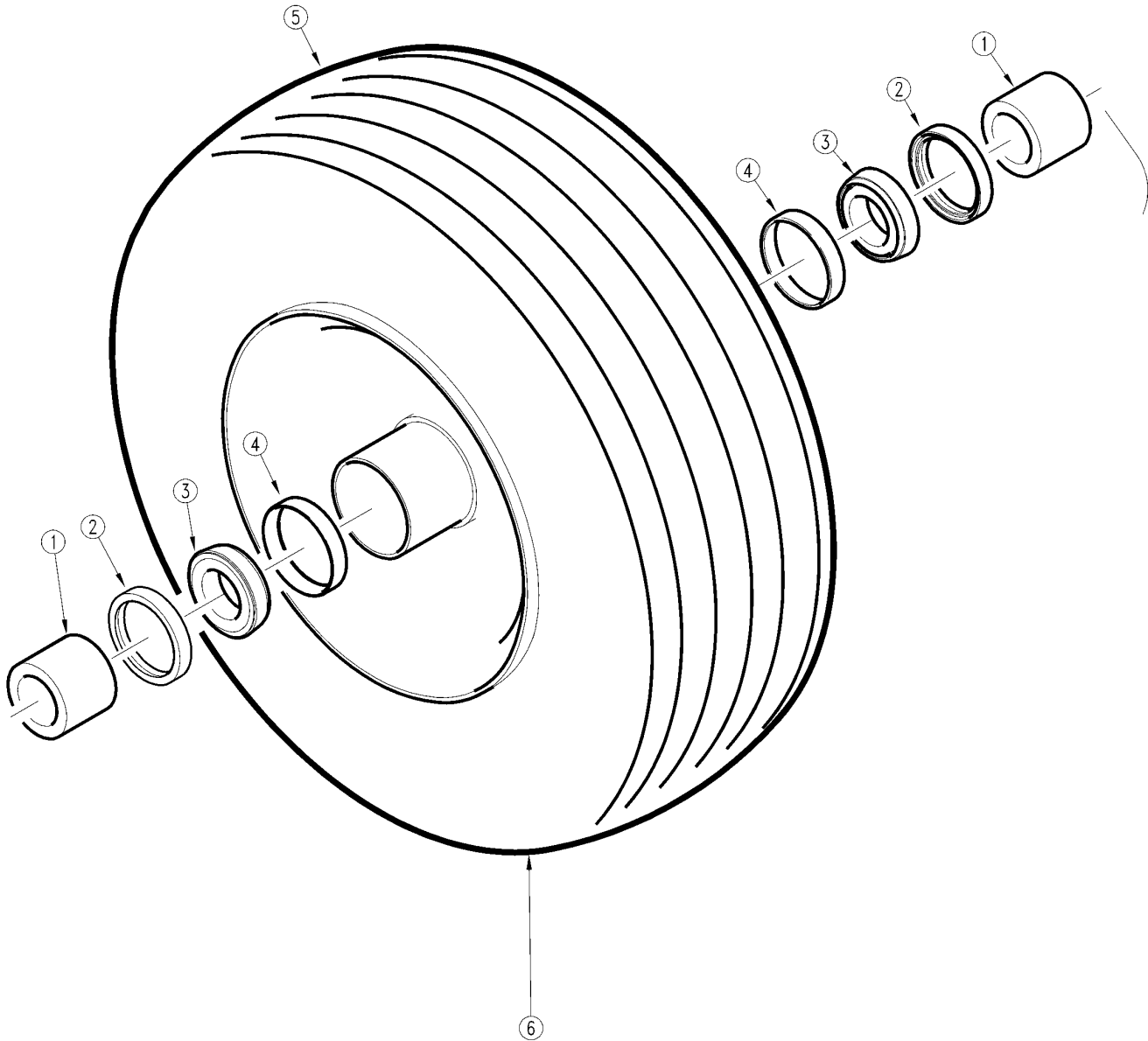
13629

Gauge Wheel Tire (814-071C)**Applies to FDR2560, FDR2572**

Ref	Part No.	Part Description	Comments	Revision
	dwg13629	Drawing Image Number		
1.	814-071C	TIRE 10 X 4 TUBELESS AIR		
2.	53-182	TILDEN BRG 3/4IDX1 3/8ODX3 1/4		
2.	87413	HS 3/4ID X 2 1/2LG ROLLER BRG	Hoosier	
2.	95352NA	RPBY 53-182) MRTN BRG3/4,3.25L		
3.	BF-1506	RPBY 53-164		
3.	87040	HS BRG 3/4ID X 1.407OD X 5/8LG	Hoosier	
3.	RT-3414	RPBY 53-164		
3.	53-164	RPBY BF-1506)TIL.RTNR3/4ID1/4L		
4.	95316	BRG NEILSON 3/4ID1.34ODX15/16L		

Gauge Wheel Tire (814-144C, 814-191C & 814-271C)

Applies to FDR2584

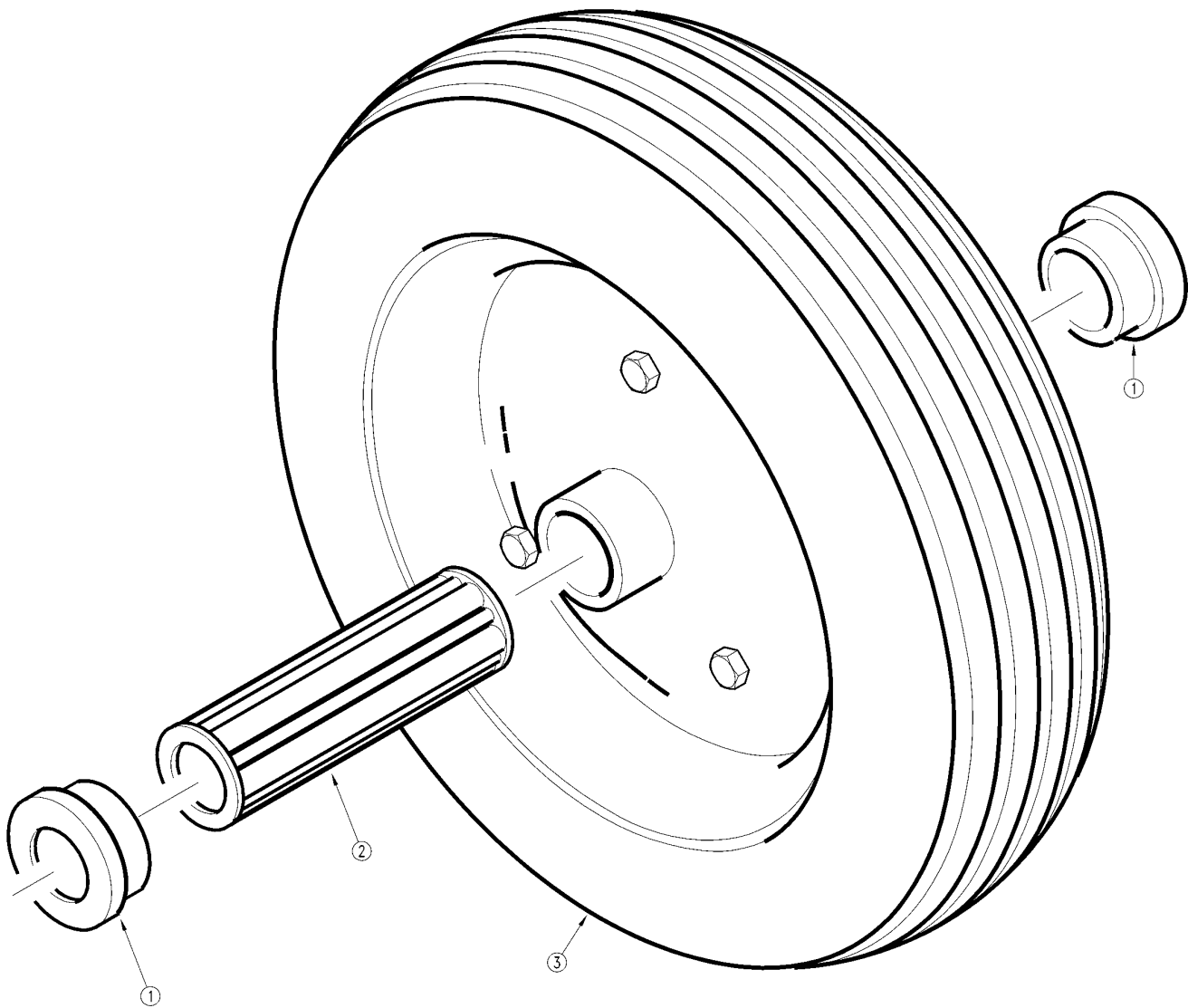


Gauge Wheel Tire (814-144C, 814-191C & 814-271C)**Applies to FDR2584**

Ref	Part No.	Part Description	Comments	Revision
	dwg10499	Drawing Image Number		
1.	HSS-34	MRTN HGH SPD SPCR3/4ID 1.125OD		
2.	GS-3	MRTN GREASE SEAL 1.125(1.78OD)		
3.	822-045C	BEARING CONE #LM 11949		
4.	822-050C	BEARING CUP #LM 11910		
5.	814-144C	11 X 400-5 RIB TIRE W 3/4 BRGS	Complete Assembly	
5.	814-271C	TIRE 11X4.00-5 RIB SEMI-SOLID	Complete Assembly S/N 444454+	
6.	814-191C	RPBY 814-271C	Complete Assembly S/N 444453-	

Gauge Wheel Tire (814-146C) (814-188C)

Applies to FDR2560, FDR2572



17714

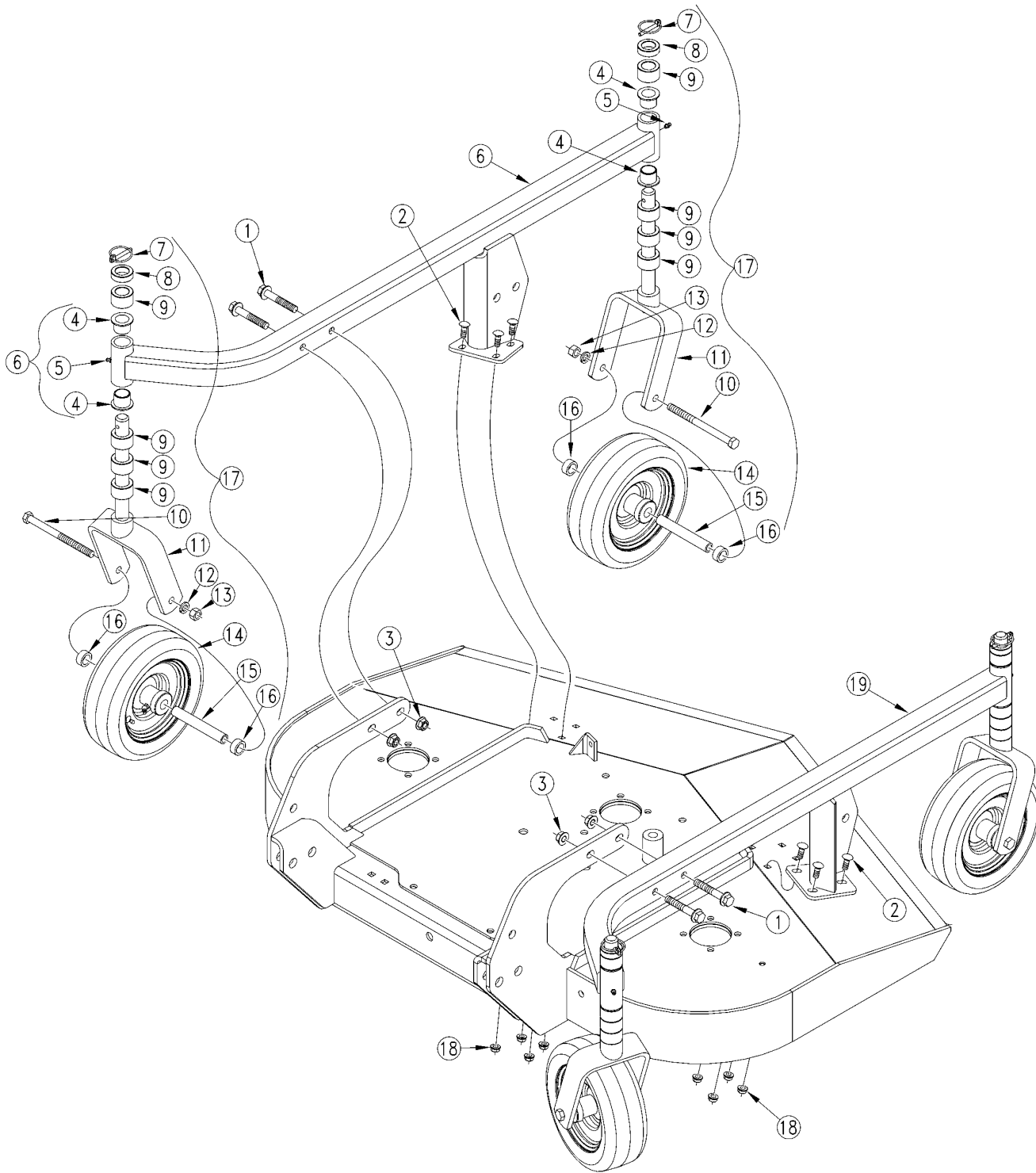
Gauge Wheel Tire (814-146C) (814-188C)

Applies to FDR2560, FDR2572

Ref	Part No.	Part Description	Comments	Revision
	dwg17714	Drawing Image Number		
1.	87040	HS BRG 3/4ID X 1.407OD X 5/8LG		
2.	87410	HS CGD RLR BRG.75IDX1.37X1.5LG	814-188C only	
3.	814-188C	TIRE 10X3.25 SOLID STRT RIB CR	(S/N 260900+)	
3.	814-146C	REP BY 814-188C	(S/N 260899-)	

Gauge Wheels

Applies to FDR2548



19268

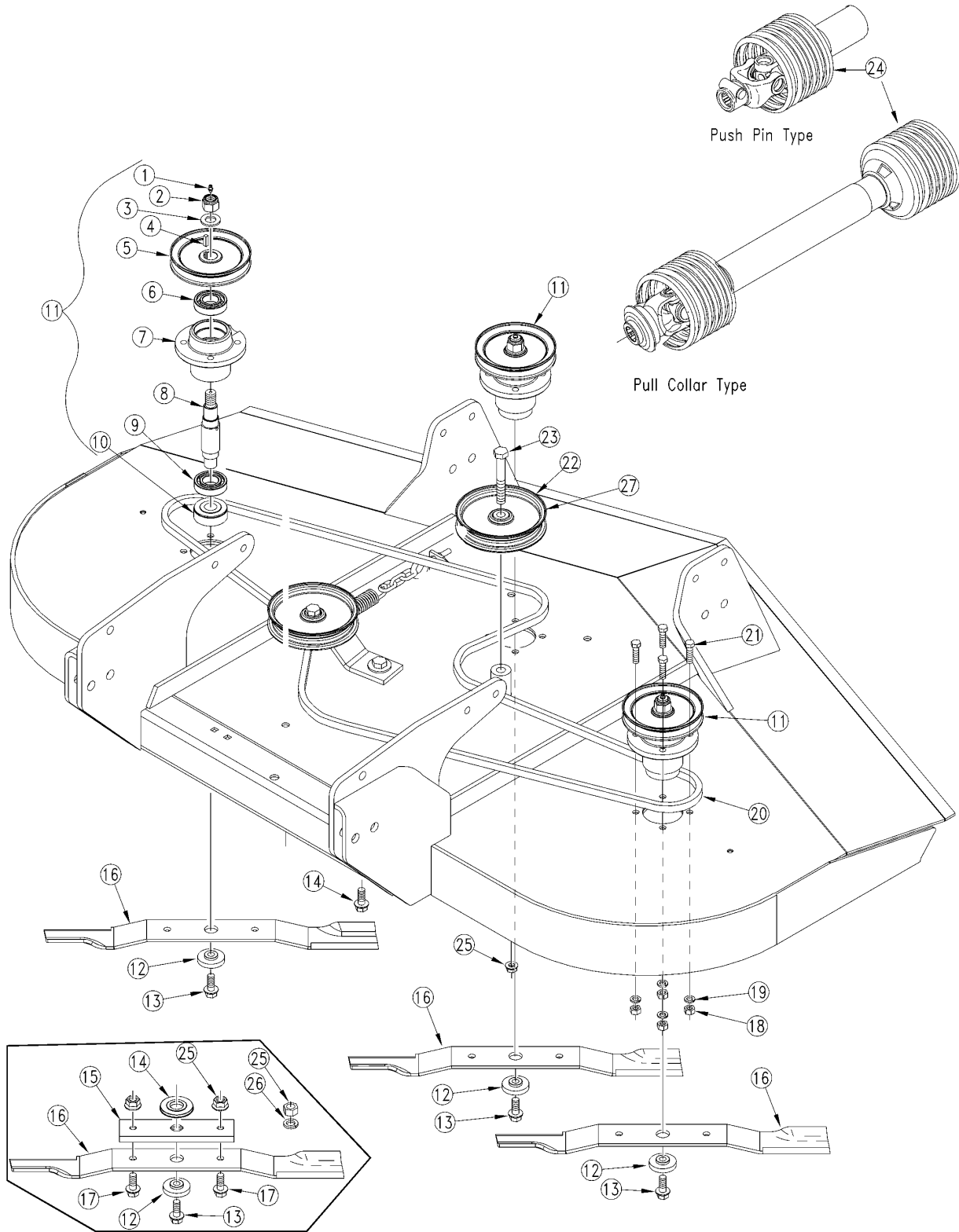
Gauge Wheels

Applies to FDR2548

Ref	Part No.	Part Description	Comments	Revision
	dwg19268	Drawing Image Number		
1.	802-656C	HFS 1/2-13 X 3 GR5		
2.	802-015C	RHSNB 3/8-16X1 GR5		
3.	803-037C	NUT HEX WHIZ 1/2-13 PLT		
4.	817-048C	SPINDLE BUSHING		
5.	800-001C	GREASE ZERK STRAIGHT 1/4-28		
6.	310-343S	ASSY. GAUGE WHEEL ARM RH.	(Includes Ref. No's. 4 & 5)	
7.	805-126C	PIN LYNCH 1/4 X 1 3/4 PLT		
8.	827-001C	SPACER 1/2		
9.	827-002C	SPACER 1		
10.	802-350C	HHCS 1/2-20X6 1/2 GR5		
11.	310-149H	GAUGE WHEEL YOKE(5 1/8 INSIDE)		
12.	804-015C	WASHER LOCK SPRING 1/2 PLT		
13.	803-018C	NUT HEX 1/2-20 PLT		
14.	814-071C	TIRE 4.10/3.50-4 TUBELESS AIR		
14.	814-188C	TIRE 10X3.25 SOLID STRT RIB CR		
15.	310-328D	SPACER TUBE GA. WHL. 5 1/8 LG		
16.	310-024D	GAUGE WHEEL SPACER - SHORT	air tire only	
16.	310-329D	GAUGE WHEEL SPACER(SOLID TIRE)	solid tire only	
17.	310-105S	4X10 AIR TIRE & YOKE ASSY		
18.	803-198C	NUT HEX WHIZ 3/8-16 PLT		
19.	310-344S	ASSY. GAUGE WHEEL ARM LH.	(Includes Ref. No's. 4 & 5)	

Belt Drive

Applies to FDR2548, FDR2560, FDR2572, FDR2584



17472

Belt Drive**Applies to FDR2548, FDR2560, FDR2572, FDR2584**

Ref	Part No.	Part Description	Comments	Revision
	dwg17472	Drawing Image Number		
1.	800-001C	GREASE ZERK STRAIGHT 1/4-28		
2.	803-114C	NUT LOCK 3/4-16 NYLOC COLLAR		
3.	804-093C	WASHER FLAT 3/4 HARD ASTMF436		
4.	172-242D	1/4 SQ. KEY X 7/8 LG		
5.	808-075C	B-GROOVE PULLEY 5 O.D.	FDR2548 & FDR2560	
5.	808-127C	B-GROOVE DRIVE PULLEY 6 O.D.	FDR2572 & FDR2584	
6.	822-161C	BEARING 6206 W/ METAL SHIELD		
7.	310-457D	BLADE HUB MACHINED TOP GREASE		
8.	310-630D	BLADE SPINDLE SHAFT CW TG	(S/N 329661+)	Rev. 2 not compat. w/Rev. 1
8.	310-454D	RPBY 310-349S	(S/N 329660-)	Rev. 1
9.	822-006C	BEARING 206		
10.	310-300D	BLADE HUB - 7/8		
11.	310-248S	CW TG SPINDLE HUB ASSY 5" PULL	FDR2548 & FDR2560	
11.	310-249S	CW TG SPINDLE HUB ASSY 6" PULL	FDR2572 Shown	
11.	310-261S	CW TG SPINDLE HUB ASSY 6" PULL	FDR2584 Excludes #10 Because of Blade Bar #15	
12.	804-110C	WASHER BLADE 2ODX.56THKX.51ID		
13.	802-695C	HFS 1/2-20X2 GR8	(S/N 329661+)	Rev. 2 not compat. w/Rev. 1
13.	802-384C	HFS 1/2-20X1 1/4 GR5	(S/N 329660-)	Rev. 1
14.	310-227D	BLADE WASHER-90		
15.	315-823D	BLADE BAR RH. THRD 10.50 CTR.	FDR2584 (S/N 312927+)	Rev. 2
15.	315-752D	4016 R.H. THREAD BLADE BAR	FDR2584 (S/N 312926-)	Rev 1; Use up stock
16.	890-219C	MWR BLD 1/4X16 7/8SD HL CW	Optional high lift FDR2548	
16.	890-325C	MWR BLD 1/4X16 7/8SD ML CW	Standard medium lift FDR2548	
16.	890-323C	MWR BLD 1/4X16 7/8SD LL CW	Optional low lift FDR2548	
16.	890-700C	MWR BLD MULCH 1/4X16.87SD CW	Optional mulch FDR2548	
16.	890-171C	MWR BLD 1/4 X 20 29/32SD HL CW	Optional high lift FDR2560	
16.	890-375C	MWR BLD 1/4 X 20 29/32SD ML CW	Standard medium lift FDR2560	
16.	890-204C	MWR BLD 5/16X20 29/32SD LL CW	Optional low lift FDR2560	
16.	890-702C	MWR BLD MULCH 1/4X20.91SD CW	Optional mulch FDR2560	
16.	890-172C	MWR BLD 1/4 X 25SD HL CW	Optional high lift FDR2572	
16.	890-318C	MWR BLD 1/4 X 25SD ML CW	Standard medium lift FDR2572	
16.	890-200C	MWR BLD 5/16 X 25SD LL CW	Optional low lift FDR2572	
16.	890-698C	MWR BLD MULCH 1/4X25SD CW	Optional mulch FDR2572	
16.	890-684C	MWR BLD 5/16 X 29 SD HL CW	Optional high lift FDR2584 (S/N 312927+)	
16.	890-675C	MWR BLD 5/16 X 29 SD ML CW	Standard Medium lift FDR2584 (S/N 312927+)	Rev. 2
16.	890-654C	MWR BLD 1/4 X 29 SD HL CW	Standard High lift FDR2584 (S/N 312926-)	Rev 1; Use up stock
16.	890-685C	MWR BLD 5/16 X 29 SD LL CW	Optional low lift FDR2584	
16.	890-653C	MWR BLD 5/16 X 29 SD LL CW	Optional low lift FDR2584 (S/N 312926-)	
16.	890-706C	MWR BLD MULCH 1/4X29SD CW	Optional mulch FDR2584	
17.	802-329C	HHCS 1/2-20X1 3/4 GR5	FDR2584	
18.	803-115C	NUT HEX 7/16-20 PLT		
19.	804-014C	WASHER LOCK 7/16 PLT		
20.	816-142C	V-BELT B93 95.75 E.L. KEVLAR	FDR2548	
20.	816-308C	V-BELT B103 106 E.L. KEVLAR	FDR2560	
20.	816-116C	V-BELT B136 138.9 E.L. KEVLAR	FDR2572 Shown	
20.	816-064C	V-BELT B158 160.9 E.L. KEVLAR	FDR2584	Rev. 2
20.	816-311C	RPBY 816-064C	FDR2584	Rev 1; Use up stock
21.	802-229C	HHCS 7/16-20X1 1/2 GR8		
22.	808-129C	FLAT IDLER PULLEY 6 3/4 O.D.		
23.	802-151C	HHCS 5/8-11X4 1/4 GR5		
24.	826-410C	DRIVELINE CAT.3 X 38 STANDARD		Rev. 2
24.	826-273C	RPBY 826-410C		Rev. 1

Belt Drive (continued)

Applies to FDR2548, FDR2560, FDR2572, FDR2584

Ref	Part No.	Part Description	Comments	Revision
25.	803-308C	NUT HEX FLG. LOCK 1/2-20 PLT.	(S/N 319784+)	Rev. 2
25.	803-018C	NUT HEX 1/2-20 PLT	(S/N 319783-)	Rev 1; Use up stock
26.	804-015C	WASHER LOCK SPRING 1/2 PLT	(S/N 319783-)	
27.	808-129C	FLAT IDLER PULLEY 6 3/4 O.D.	FDR2572 (S/N 311049-)	

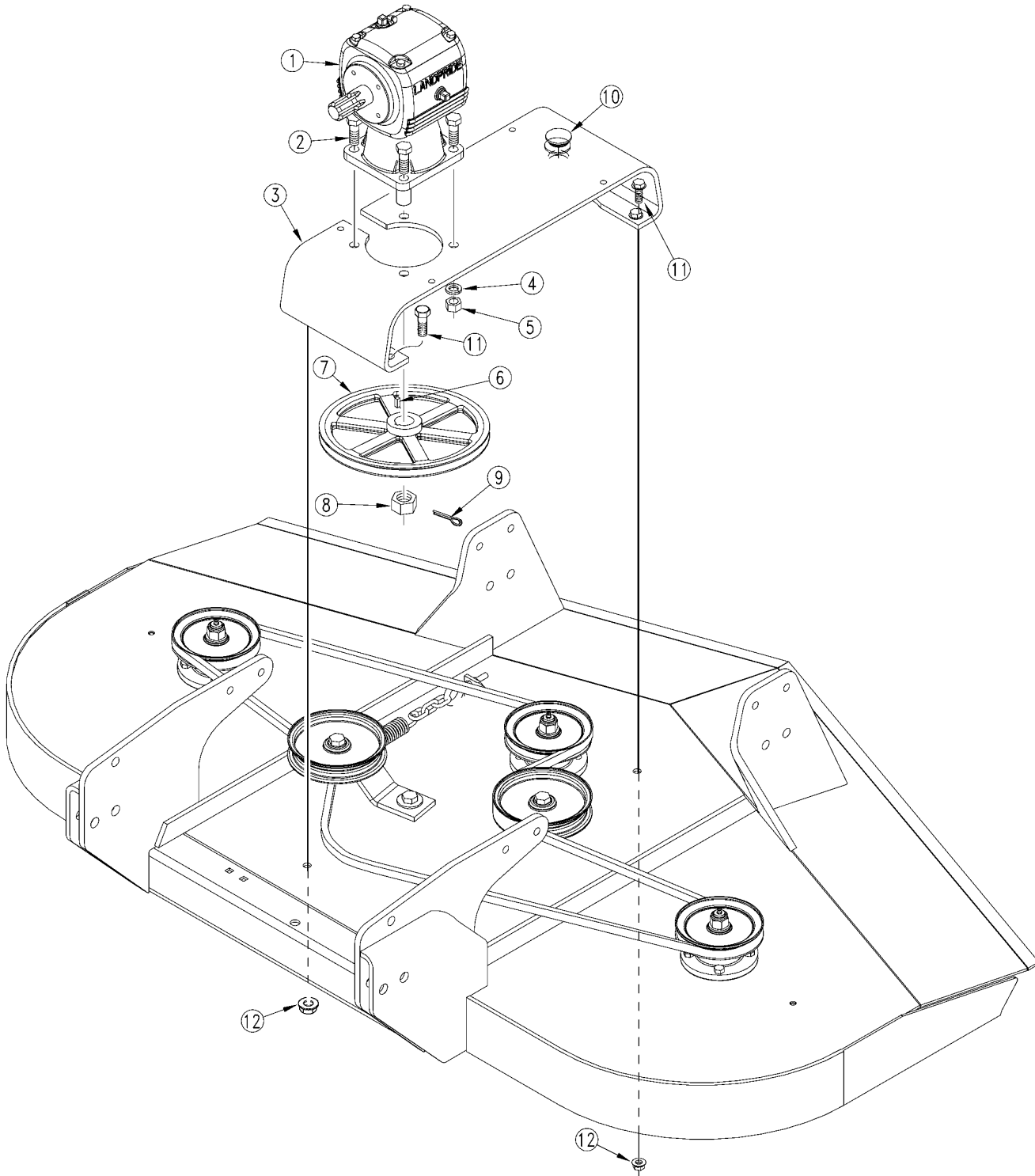
Belt Drive (continued)

Applies to FDR2548, FDR2560, FDR2572, FDR2584

This Page Intentionally Left Blank

Belt Drive - Gearbox

Applies to FDR2548, FDR2560, FDR2572, FDR2584



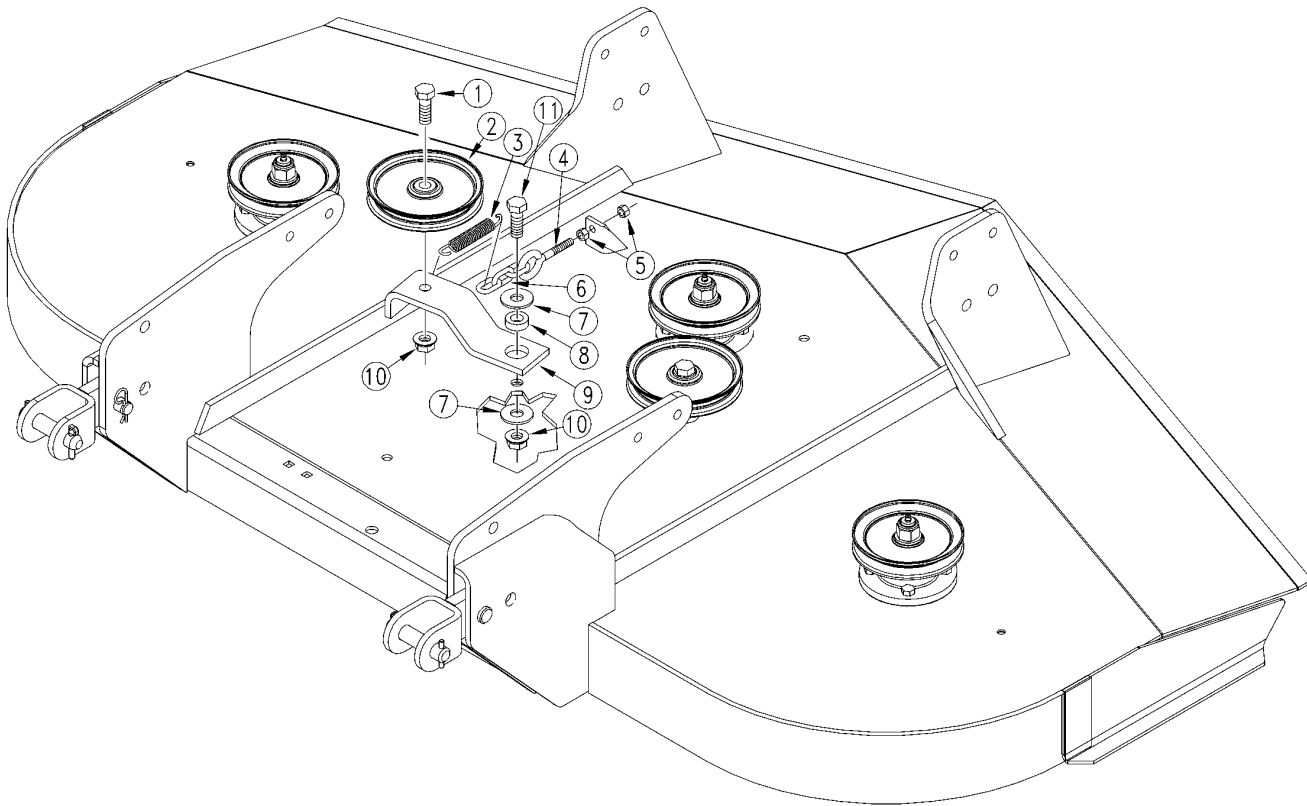
20212

Belt Drive - Gearbox**Applies to FDR2548, FDR2560, FDR2572, FDR2584**

Ref	Part No.	Part Description	Comments	Revision
	dwg20212	Drawing Image Number		
1.	826-326C	GBOX MOWER 50 HP 1:2.8 CW	FDR2548 FDR2560 (S/N 346256+) FDR2572 (S/N 335063+) FDR2584 (S/N 335176+)	Rev. 4
1.	826-326C82	GB MOWER 50 HP 1:2.8 CW ORANGE		
1.	826-311C	REP BY 826-326C	FDR2572 (S/N 311165 <-> 335062) FDR2584 (S/N 311187 <-> 335175)	Rev 3; Use up stock
1.	826-294C	REP BY 826-326C	FDR2560 (S/N 271047 <-> 346255) FDR2572 (S/N 273336 <-> 311164) FDR2572 (S/N 311049-)	Rev 2; Use up stock
1.	826-204C	RPBY 826-294C	FDR2560 (S/N 271046-) FDR2572 (S/N 273335-)	Rev 1; Use up stock
1.	826-325C	GBOX MOWER 50 HP 1:2.5 CW	FDR2584 (S/N 304129 <-> 311186)	Rev 2; Use up stock
1.	826-203C	REP BY 826-325C	FDR2584 (S/N 304128-)	Rev 1; Use up stock
2.	802-246C	HHCS 5/8-18X1 3/4 GR5		
3.	310-416V	GEARBOX MOUNT ASSEMBLY	FDR2548 S/N 499702+	
3.	310-341H	WELDMENT GEARBOX MOUNT	FDR2548 S/N 499701-	
3.	310-412V	GEARBOX MOUNT ASSEMBLY	FDR2560 S/N 499702+	
3.	310-276H	WLDMT. GEARBOX MOUNT	FDR2560 S/N 499701-	
3.	310-410V	GEARBOX MOUNT ASSEMBLY	FDR2572 Shown S/N 499702+	
3.	310-410V82	GEARBOX MOUNT ASY ORANGE		
3.	310-265H	WLDMT. GEARBOX MOUNT	FDR2572 Shown S/N 499701-	
3.	310-411V	GEARBOX MOUNT ASSEMBLY	FDR2584 S/N 499702+	
3.	310-411V82	GEARBOX MOUNT ASSEMBLY ORANGE		
3.	310-272H	WLDMT. GEARBOX MOUNT	FDR2584 S/N 499701-	
4.	804-022C	WASHER LOCK SPRING 5/8 PLT		
5.	803-022C	NUT HEX 5/8-18 PLT		
6.	310-331D	KEY 1/4 X 11/16 LONG		
7.	808-333C	B-GROOVE PULLEY 9" CAST-IRON	FDR2584 (S/N 346502+)	Rev. 3 not compat. w/Rev. 2
7.	808-076C	B-GROOVE PULLEY 9 O.D.	FDR2584 (S/N 311050 <-> 346501)	Rev. 2
7.	808-335C	B-GROOVE PULLEY 11" CAST-IRON	FDR2560 (S/N 346256+) FDR2572 (S/N 346244+)	Rev. 2 not compat. w/Rev. 1
7.	808-126C	B-GROOVE DRIVE PULLEY 11 O.D.	FDR2560 (S/N 346255-) FDR2572 (S/N 346243-) FDR2584 (S/N 311049-)	Rev 1; Use up stock
8.	120050	OMNI NUT HEX SLOTTED, 1-14UNC		
9.	100001	OMNI COTTER PIN 5 X 50		
10.	816-298C	RUBBER PLUG 1 3/8 W/CROSS SLIT		
11.	802-083C	HFSS 1/2-13X1 1/4 GR8	S/N 454340+	
11.	802-203C	HFSS 1/2-13X1 1/2 GR5	S/N 454339-	
12.	803-037C	NUT HEX WHIZ 1/2-13 PLT		

Belt Drive - Take-Up

Applies to FDR2548, FDR2560, FDR2572, FDR2584



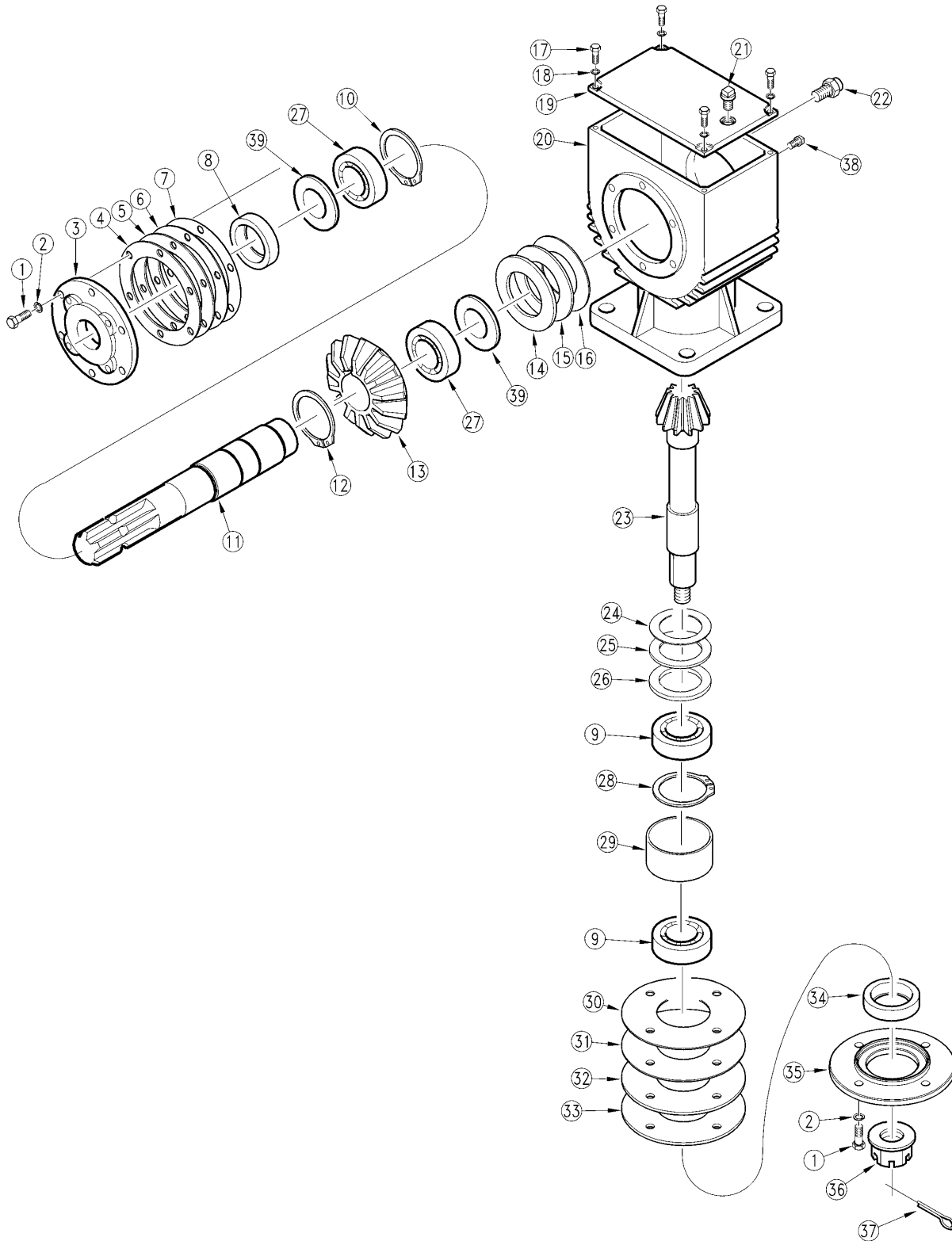
17471

Belt Drive - Take-Up**Applies to FDR2548, FDR2560, FDR2572, FDR2584**

Ref	Part No.	Part Description	Comments	Revision
	dwg17471	Drawing Image Number		
1.	802-053C	HHCS 5/8-11X1 3/4 GR5		
2.	808-129C	FLAT IDLER PULLEY 6 3/4 O.D.		
3.	807-068C	SPRING EXT BELT HANDLE		
4.	802-668C	EYE BOLT OPEN 3/8-16X3 1/2		
5.	803-014C	NUT HEX 3/8-16 PLT		
6.	890-641C	CHAIN WELD 1/4 PROOF X 3 LINK		
7.	804-019C	WASHER FLAT 5/8 USS PLT		
8.	310-494D	SPACER BUSHING		
9.	310-493D	SPRING IDLER BRACKET		
10.	803-263C	NUT HEX FLANGE LOCK 5/8-11 PLT		
11.	802-051C	HHCS 5/8-11X1 1/2 GR5		Rev. 2
11.	802-053C	HHCS 5/8-11X1 3/4 GR5		Rev 1; Use up stock

Gearbox (826-203C) OMNI

Applies to FDR2584



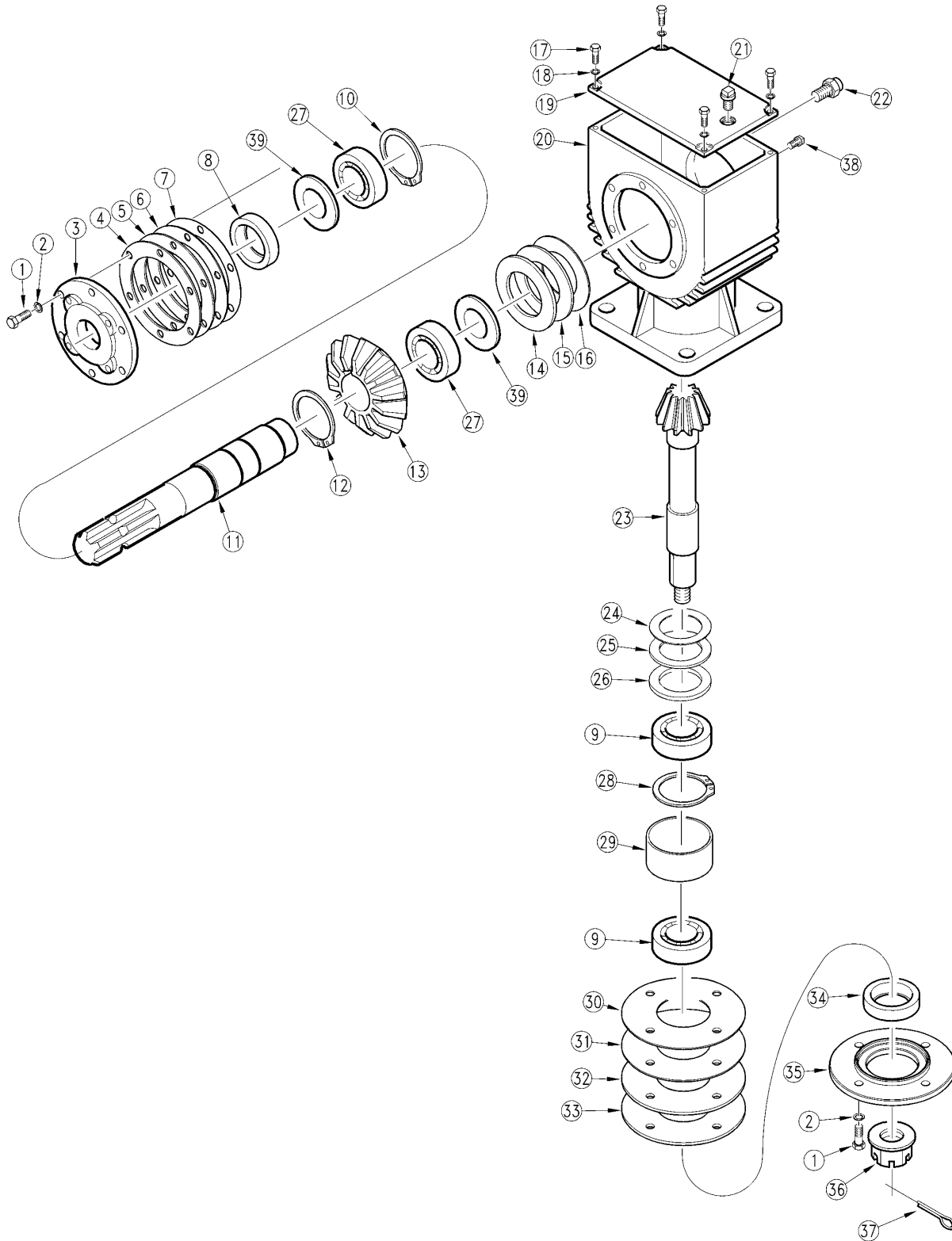
16020

Gearbox (826-203C) OMNI**Applies to FDR2584**

Ref	Part No.	Part Description	Comments	Revision
	dwg16020	Drawing Image Number		
	826-203C	RPBY 826-325C		
1.	110192	OMNI SCREW-5/16"-18UNC X 7/8"		
2.	130006	OMNI 5/16" RPBY 804-009C		
3.	020224	OMNI CAP-INPUT		
4.	070246	OMNI GASKET-INPUT 0.10MM	Quantity varies	
5.	070247	OMNI GASKET-INPUT 0.20MM	Quantity varies	
6.	070248	OMNI GASKET-INPUT 0.30MM	Quantity varies	
7.	070249	OMNI GASKET-INPUT 0.50MM	Quantity varies	
8.	060127	OMNI SEAL-INPUT CR13930		
9.	822-188C	BALL BEARING 6208		Rev. 2
9.	050007	RPBY 822-188C		Rev 1; Use up stock
10.	200140	OMNI RTNG. RING 38MM RC DSH-38		
11.	040491	OMNI SHAFT INPUT 1 3/8" - 6A		
12.	200141	OMNI RTNG. RING 38MM RC DSH-38		
13.	030459	OMNI GEAR-INPUT 30T		
14.	090179	OMNI SHIM INPUT 0.10MM		
15.	090180	OMNI SHIM INPUT 0.20MM		
16.	090181	OMNI SHIM INPUT 0.30MM		
17.	110009	OMNI SCREW-1/4"-20 UNC X 3/4"		
18.	130028	OMNI LOCKWASHR 1/4" SPLIT TYPE		
19.	240280	OMNI INSPECTION COVER		
20.	010252	OMNI HOUSING RC-25 SERIES		
21.	140047	OMNI PLUG SQ.HD.1/2-14NPT W/DP		
22.	140033	OMNI PLUG VENT 1/2-14 NPTF		
23.	030458	OMNI PINION OUTPUT 12T		
24.	090182	OMNI SHIM OUTPUT 0.10MM		
25.	090183	OMNI SHIM OUTPUT 0.20MM		
26.	090184	OMNI SHIM OUTPUT 0.30MM		
27.	822-166C	BEARING BALL 6207		Rev. 2
27.	050006	RPBY 822-166C		Rev 1; Use up stock
28.	200000	OMNI RETAINING RING		
29.	090190	OMNI SPACER OUTPUT		
30.	070250	OMNI GASKET-OUTPUT 0.10MM	Quantity varies	
31.	070251	OMNI GASKET-OUTPUT 0.20MM	Quantity varies	
32.	070252	OMNI GASKET-OUTPUT 0.30MM	Quantity varies	
33.	070253	OMNI GASKET-OUTPUT 0.50MM	Quantity varies	
34.	060128	OMNI SEAL-OUTPUT CR15822		
35.	020225	OMNI CAP-OUTPUT		
36.	120050	OMNI NUT HEX SLOTTED, 1-14UNC		
37.	100001	OMNI COTTER PIN 5 X 50		
38.	140017	OMNI PLUG PIPE SQ HD1/8-27NPTF		
39.	090189	OMNI SPACER INPUT		

Gearbox (826-204C) OMNI

Applies to FDR2560, FDR2572



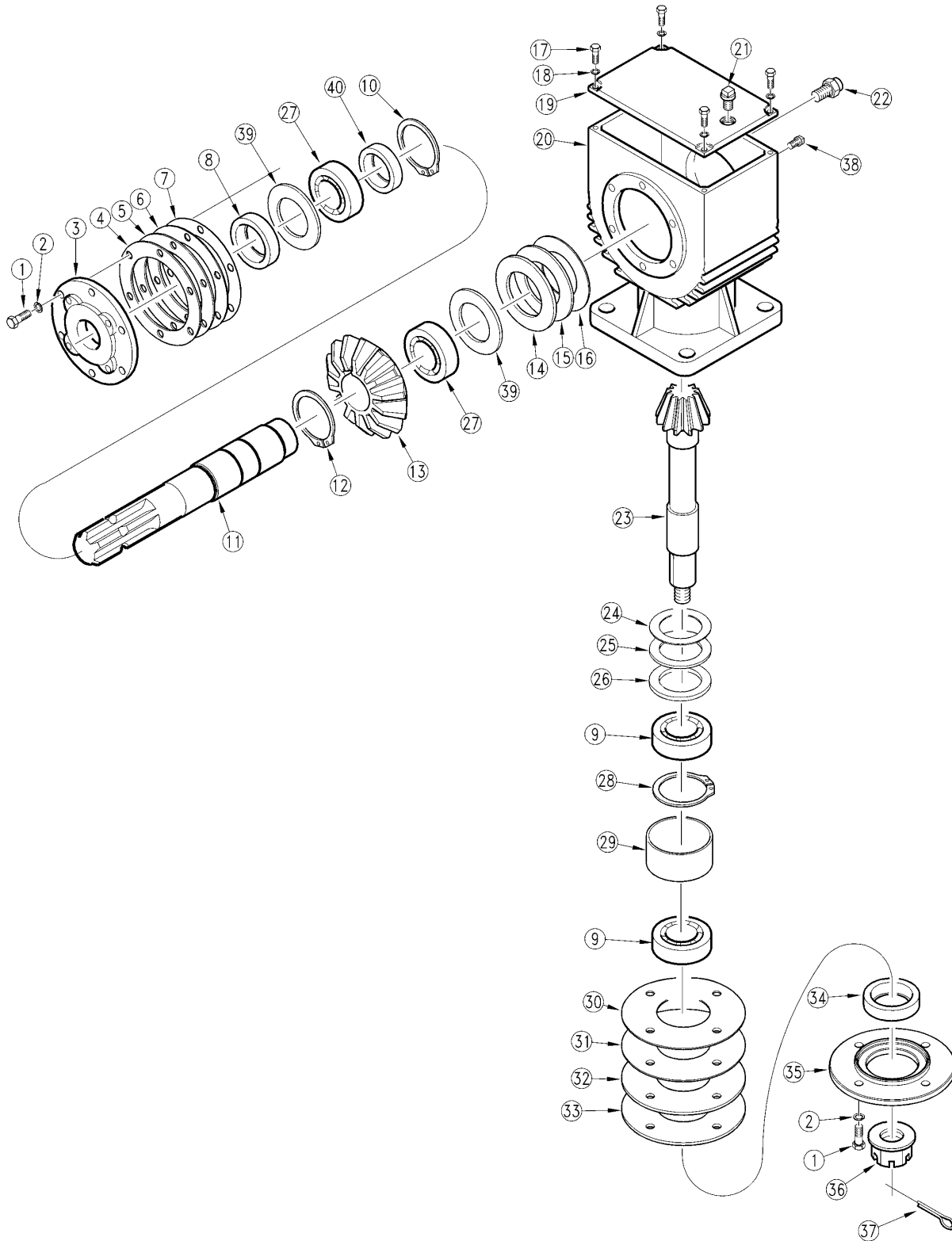
16020

Gearbox (826-204C) OMNI**Applies to FDR2560, FDR2572**

Ref	Part No.	Part Description	Comments	Revision
	dwg16020	Drawing Image Number		
	826-204C	RPBY 826-326C		
1.	110192	OMNI SCREW-5/16"-18UNC X 7/8"		
2.	130006	OMNI LOCKWASHR 5/16"SPLIT TYPE		
3.	020224	OMNI CAP-INPUT		
4.	070249	OMNI GASKET-INPUT 0.50MM	Quantity varies	
5.	070248	OMNI GASKET-INPUT 0.30MM	Quantity varies	
6.	070247	OMNI GASKET-INPUT 0.20MM	Quantity varies	
7.	070246	OMNI GASKET-INPUT 0.10MM	Quantity varies	
8.	060127	OMNI SEAL-INPUT CR13930		
9.	822-188C	BALL BEARING 6208		Rev. 2
9.	050007	RPBY 822-188C		Rev 1; Use up stock
10.	200140	OMNI RTNG. RING 38MM RC DSH-38		
11.	040335	OMNI SHAFT-INPUT 1-3/8"-6 SPLN		
12.	200141	OMNI RTNG. RING 38MM RC DSH-38		
13.	030461	OMNI GEAR-INPUT 34T		
14.	090181	OMNI SHIM INPUT 0.30MM		
15.	090180	OMNI SHIM INPUT 0.20MM		
16.	090179	OMNI SHIM INPUT 0.10MM		
17.	110009	OMNI SCREW-1/4"-20 UNC X 3/4"		
18.	130028	OMNI LOCKWASHR 1/4" SPLIT TYPE		
19.	240280	OMNI INSPECTION COVER		
20.	010175	OMNI HOUSING-RC-25		
21.	140047	OMNI PLUG SQ.HD.1/2-14NPT W/DP		
22.	140000	OMNI PIPE PLUG 1/2' SQ HEAD	(S/N 215411+)	Rev. 2 not compat. w/Rev. 1
22.	140033	OMNI PLUG VENT 1/2-14 NPTF	(S/N 215410-)	Rev. 1
23.	030460	OMNI PINION OUTPUT 12T		
24.	090182	OMNI SHIM OUTPUT 0.10MM		
25.	090183	OMNI SHIM OUTPUT 0.20MM		
26.	090184	OMNI SHIM OUTPUT 0.30MM		
27.	822-166C	BEARING BALL 6207		Rev. 2
27.	050006	RPBY 822-166C		Rev 1; Use up stock
28.	200000	OMNI RETAINING RING		
29.	090190	OMNI SPACER OUTPUT		
30.	070250	OMNI GASKET-OUTPUT 0.10MM	Quantity varies	
31.	070251	OMNI GASKET-OUTPUT 0.20MM	Quantity varies	
32.	070252	OMNI GASKET-OUTPUT 0.30MM	Quantity varies	
33.	070253	OMNI GASKET-OUTPUT 0.50MM	Quantity varies	
34.	060128	OMNI SEAL-OUTPUT CR15822		
35.	020225	OMNI CAP-OUTPUT		
36.	120050	OMNI NUT HEX SLOTTED, 1-14UNC		
37.	100001	OMNI COTTER PIN 5 X 50		
38.	140017	OMNI PLUG PIPE SQ HD1/8-27NPTF		
39.	090189	OMNI SPACER INPUT		

Gearbox (826-293C) OMNI

Applies to FDR2584



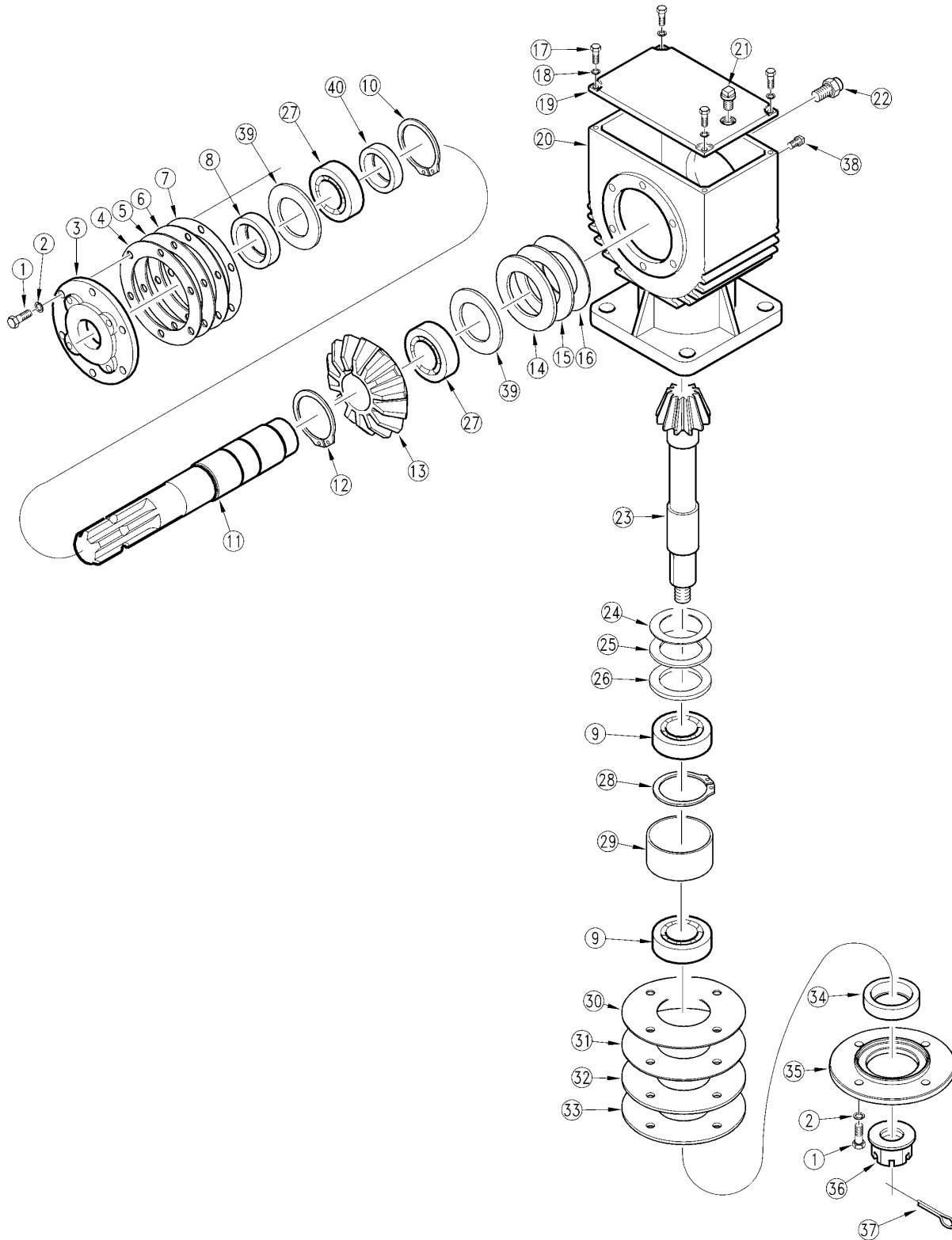
18705

Gearbox (826-293C) OMNI**Applies to FDR2584**

Ref	Part No.	Part Description	Comments	Revision
	dwg18705	Drawing Image Number		
	826-293C	RC-25 1:2.5 CW 90 BOX(RC25LR)		
1.	110192	OMNI SCREW-5/16"-18UNC X 7/8"		
2.	804-009C	WASHER LOCK SPRING 5/16 PLT		
3.	020224	OMNI CAP-INPUT		
4.	070246	OMNI GASKET-INPUT 0.10MM		
5.	070247	OMNI GASKET-INPUT 0.20MM		
6.	070248	OMNI GASKET-INPUT 0.30MM		
7.	070249	OMNI GASKET-INPUT 0.50MM		
8.	060127	OMNI SEAL-INPUT CR13930		
9.	822-188C	BALL BEARING 6208		Rev. 2
9.	050007	RPBY 822-188C		Rev 1; Use up stock
10.	200140	OMNI RTNG. RING 38MM RC DSH-38		
11.	040491	OMNI SHAFT INPUT 1 3/8" - 6A		
12.	200141	OMNI RTNG. RING 38MM RC DSH-38		
13.	030459	OMNI GEAR-INPUT 30T		
14.	090179	OMNI SHIM INPUT 0.10MM		
15.	090180	OMNI SHIM INPUT 0.20MM		
16.	090181	OMNI SHIM INPUT 0.30MM		
17.	110009	OMNI SCREW-1/4"-20 UNC X 3/4"		
18.	130028	OMNI LOCKWASHR 1/4" SPLIT TYPE		
19.	240280	OMNI INSPECTION COVER		
20.	010252	OMNI HOUSING RC-25 SERIES		
21.	140047	OMNI PLUG SQ.HD.1/2-14NPT W/DP		
22.	140000	OMNI PIPE PLUG 1/2' SQ HEAD		
23.	030458	OMNI PINION OUTPUT 12T		
24.	090182	OMNI SHIM OUTPUT 0.10MM		
25.	090183	OMNI SHIM OUTPUT 0.20MM		
26.	090184	OMNI SHIM OUTPUT 0.30MM		
27.	822-166C	BEARING BALL 6207		Rev 2; Use up stock
27.	050006	OMNI BALL BEARING 207K		Rev 1; Use up stock
28.	200000	OMNI RETAINING RING		
29.	090190	OMNI SPACER OUTPUT		
30.	070250	OMNI GASKET-OUTPUT 0.10MM		
31.	070251	OMNI GASKET-OUTPUT 0.20MM		
32.	070252	OMNI GASKET-OUTPUT 0.30MM		
33.	070253	OMNI GASKET-OUTPUT 0.50MM		
34.	060128	OMNI SEAL-OUTPUT CR15822		
35.	020225	OMNI CAP-OUTPUT		
36.	120050	OMNI NUT HEX SLOTTED, 1-14UNC		
37.	100001	OMNI COTTER PIN 5 X 50		
38.	140017	OMNI PLUG PIPE SQ HD1/8-27NPTF		
39.	090189	OMNI SPACER INPUT		
40.	090341	OMNI SPACER, INPUT		

Gearbox (826-294C) OMNI

Applies to FDR2560, FDR2572



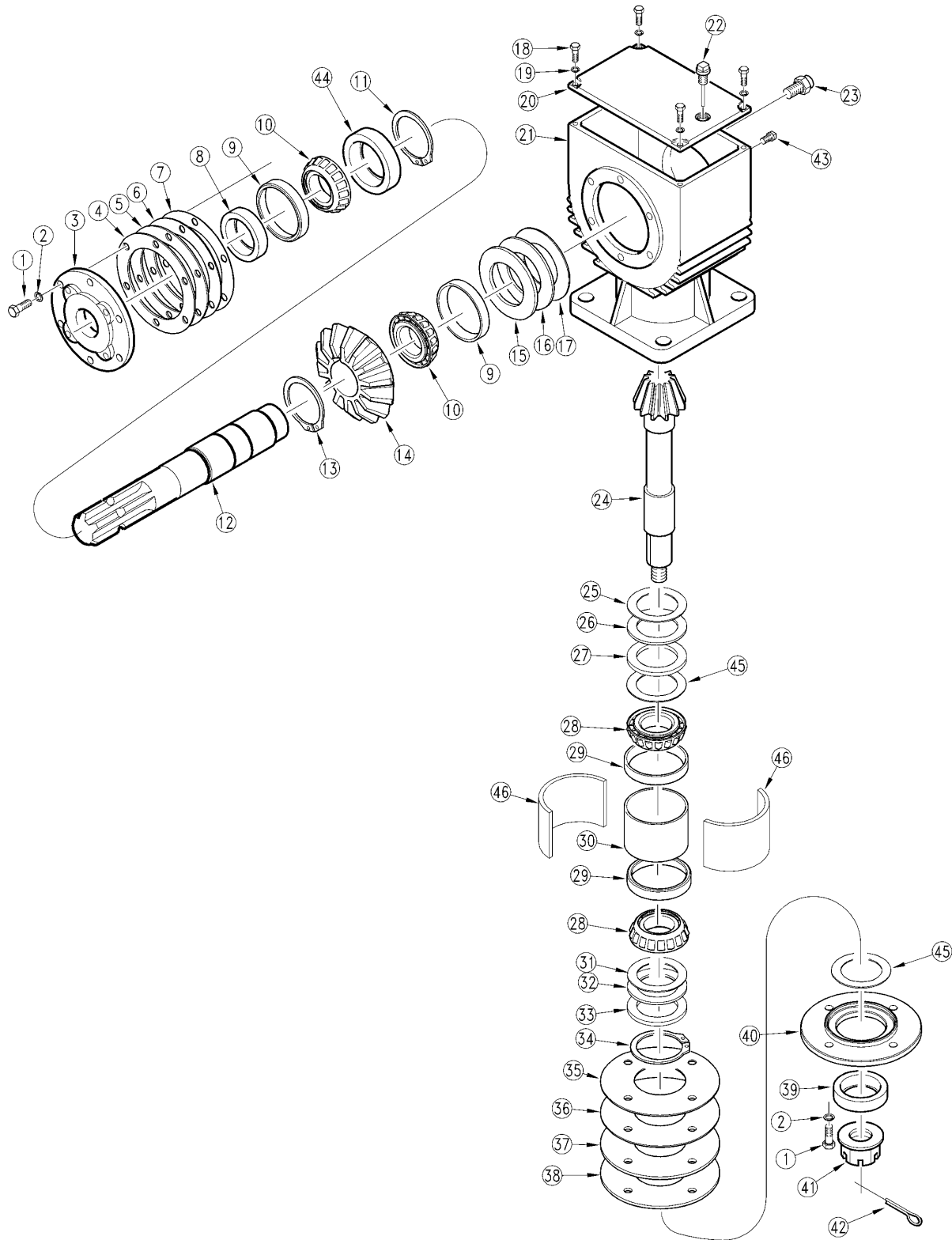
18705

Gearbox (826-294C) OMNI**Applies to FDR2560, FDR2572**

Ref	Part No.	Part Description	Comments	Revision
	dwg18705	Drawing Image Number		
	826-294C	RC-25 1:2.8 CW 90 BOX(RC25LR)		
1.	110192	OMNI SCREW-5/16"-18UNC X 7/8"		
2.	130006	OMNI LOCKWASHR 5/16"SPLIT TYPE		
3.	020224	OMNI CAP-INPUT		
4.	070249	OMNI GASKET-INPUT 0.50MM		
5.	070248	OMNI GASKET-INPUT 0.30MM		
6.	070247	OMNI GASKET-INPUT 0.20MM		
7.	070246	OMNI GASKET-INPUT 0.10MM		
8.	060127	OMNI SEAL-INPUT CR13930		
9.	822-188C	BALL BEARING 6208		Rev. 2
9.	050007	RPBY 822-188C		Rev 1; Use up stock
10.	200140	OMNI RTNG. RING 38MM RC DSH-38		
11.	040491	OMNI SHAFT INPUT 1 3/8" - 6A		
12.	200141	OMNI RTNG. RING 38MM RC DSH-38		
13.	030461	OMNI GEAR-INPUT 34T		
14.	090181	OMNI SHIM INPUT 0.30MM		
15.	090180	OMNI SHIM INPUT 0.20MM		
16.	090179	OMNI SHIM INPUT 0.10MM		
17.	110009	OMNI SCREW-1/4"-20 UNC X 3/4"		
18.	130028	OMNI LOCKWASHR 1/4" SPLIT TYPE		
19.	240280	OMNI INSPECTION COVER		
20.	010252	OMNI HOUSING RC-25 SERIES		
21.	140047	OMNI PLUG SQ.HD.1/2-14NPT W/DP		
22.	140033	OMNI PLUG VENT 1/2-14 NPTF		
23.	030460	OMNI PINION OUTPUT 12T		
24.	090182	OMNI SHIM OUTPUT 0.10MM		
25.	090183	OMNI SHIM OUTPUT 0.20MM		
26.	090184	OMNI SHIM OUTPUT 0.30MM		
27.	822-166C	BEARING BALL 6207		Rev. 2
27.	050006	OMNI BALL BEARING 207K		Rev. 1
28.	200000	OMNI RETAINING RING		
29.	090190	OMNI SPACER OUTPUT		
30.	070250	OMNI GASKET-OUTPUT 0.10MM		
31.	070251	OMNI GASKET-OUTPUT 0.20MM		
32.	070252	OMNI GASKET-OUTPUT 0.30MM		
33.	070253	OMNI GASKET-OUTPUT 0.50MM		
34.	060128	OMNI SEAL-OUTPUT CR15822		
35.	020225	OMNI CAP-OUTPUT		
36.	120050	OMNI NUT HEX SLOTTED, 1-14UNC		
37.	100001	OMNI COTTER PIN 5 X 50		
38.	140017	OMNI PLUG PIPE SQ HD1/8-27NPTF		
39.	090189	OMNI SPACER INPUT		
40.	090341	OMNI SPACER, INPUT		

Gearbox (826-311C) OMNI

Applies to FDR2572, FDR2584



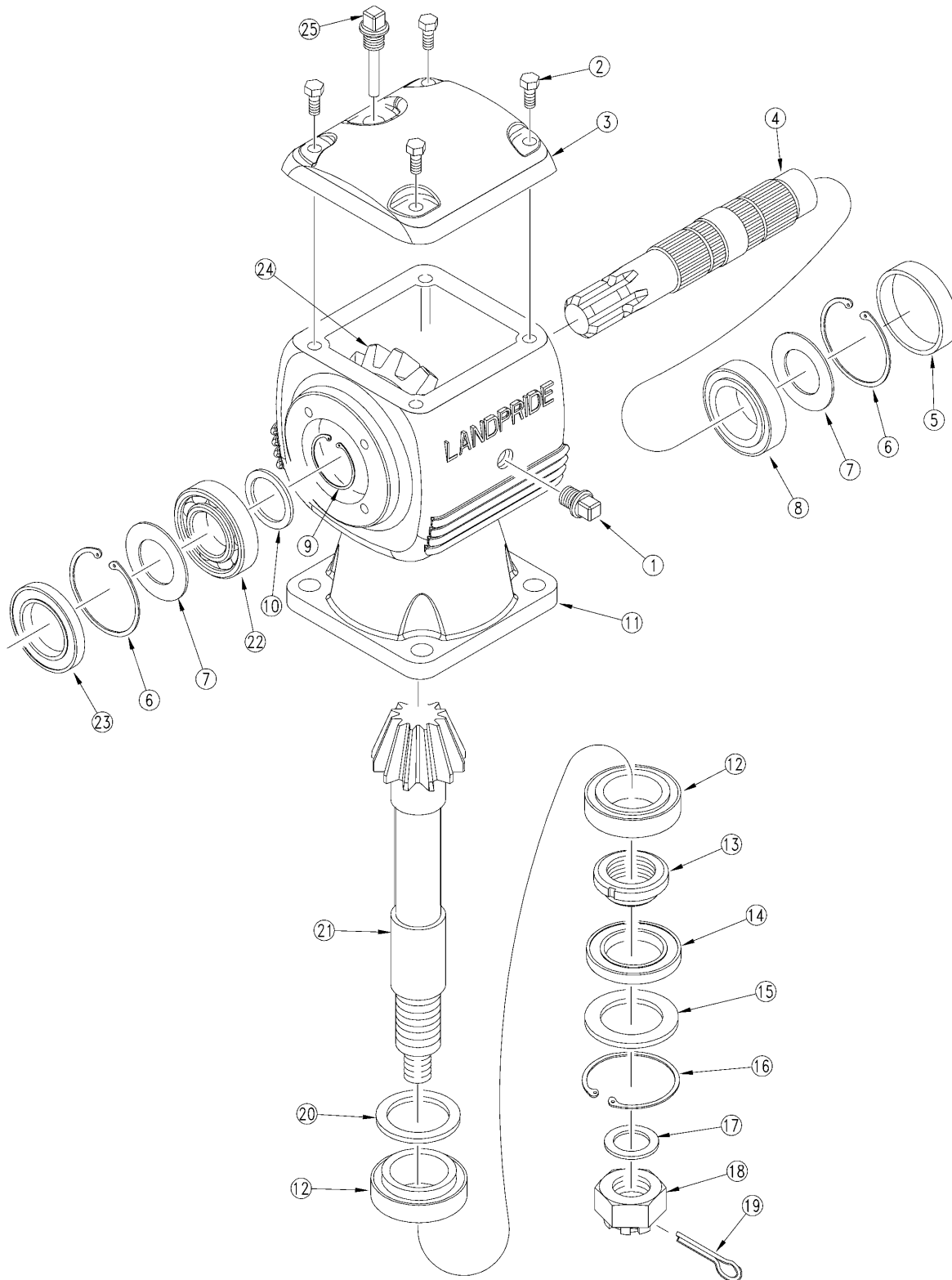
19602

Gearbox (826-311C) OMNI**Applies to FDR2572, FDR2584**

Ref	Part No.	Part Description	Comments	Revision
	dwg19602	Drawing Image Number		
	826-311C	RC-25 1:2.8 CW 90 BOX(RC25HR)		
1.	110192	OMNI SCREW-5/16"-18UNC X 7/8"		
2.	130006	OMNI LOCKWASHR 5/16"SPLIT TYPE		
3.	020224	OMNI CAP-INPUT		
4.	070249	OMNI GASKET-INPUT 0.50MM		
5.	070248	OMNI GASKET-INPUT 0.30MM		
6.	070247	OMNI GASKET-INPUT 0.20MM		
7.	070246	OMNI GASKET-INPUT 0.10MM		
8.	060127	OMNI SEAL-INPUT CR13930		
9.	050170	OMNI BEARING CUP 30207		
10.	050172	OMNI BEARING CONE 30207		
11.	200140	OMNI RTNG. RING 38MM RC DSH-38		
12.	040491	OMNI SHAFT INPUT 1 3/8" - 6A		
13.	200141	OMNI RTNG. RING 38MM RC DSH-38		
14.	030457	OMNI GEAR INPUT, 34T		
15.	090181	OMNI SHIM INPUT 0.30MM		
16.	090180	OMNI SHIM INPUT 0.20MM		
17.	090179	OMNI SHIM INPUT 0.10MM		
18.	110009	OMNI SCREW-1/4"-20 UNC X 3/4"		
19.	130028	OMNI LOCKWASHR 1/4" SPLIT TYPE		
20.	240280	OMNI INSPECTION COVER		
21.	010252	OMNI HOUSING RC-25 SERIES		
22.	140047	OMNI PLUG SQ.HD.1/2-14NPT W/DP		
23.	140000	OMNI PIPE PLUG 1/2' SQ HEAD		
24.	030456	OMNI PINION-OUTPUT 12T		
25.	090182	OMNI SHIM OUTPUT 0.10MM		
26.	090183	OMNI SHIM OUTPUT 0.20MM		
27.	090184	OMNI SHIM OUTPUT 0.30MM		
28.	050197	OMNI BEARING CONE 30208		
29.	050195	OMNI BEARING CUP 30208		
30.	310-580D	OMNI OUTPUT SPACER 27mm		
31.	090186	OMNI SHIM OUTPUT 0.10MM		
32.	090187	OMNI SHIM OUTPUT 0.20MM		
33.	090188	OMNI SHIM OUTPUT 0.30MM		
34.	200000	OMNI RETAINING RING		
35.	070250	OMNI GASKET-OUTPUT 0.10MM		
36.	070251	OMNI GASKET-OUTPUT 0.20MM		
37.	070252	OMNI GASKET-OUTPUT 0.30MM		
38.	070253	OMNI GASKET-OUTPUT 0.50MM		
39.	060128	OMNI SEAL-OUTPUT CR15822		
40.	020225	OMNI CAP-OUTPUT		
41.	120050	OMNI NUT HEX SLOTTED, 1-14UNC		
42.	100001	OMNI COTTER PIN 5 X 50		
43.	140017	OMNI PLUG PIPE SQ HD1/8-27NPTF		
44.	090341	OMNI SPACER, INPUT		
45.	310-581D	OMNI OUTPUT SHAFT SHIM 2mm		
46.	310-582D	OMNI HOUSING TAKE-UP SPACER		

Gearbox (826-326C) Comer

Applies to FDR2548, FDR2560, FDR2572, FDR2584



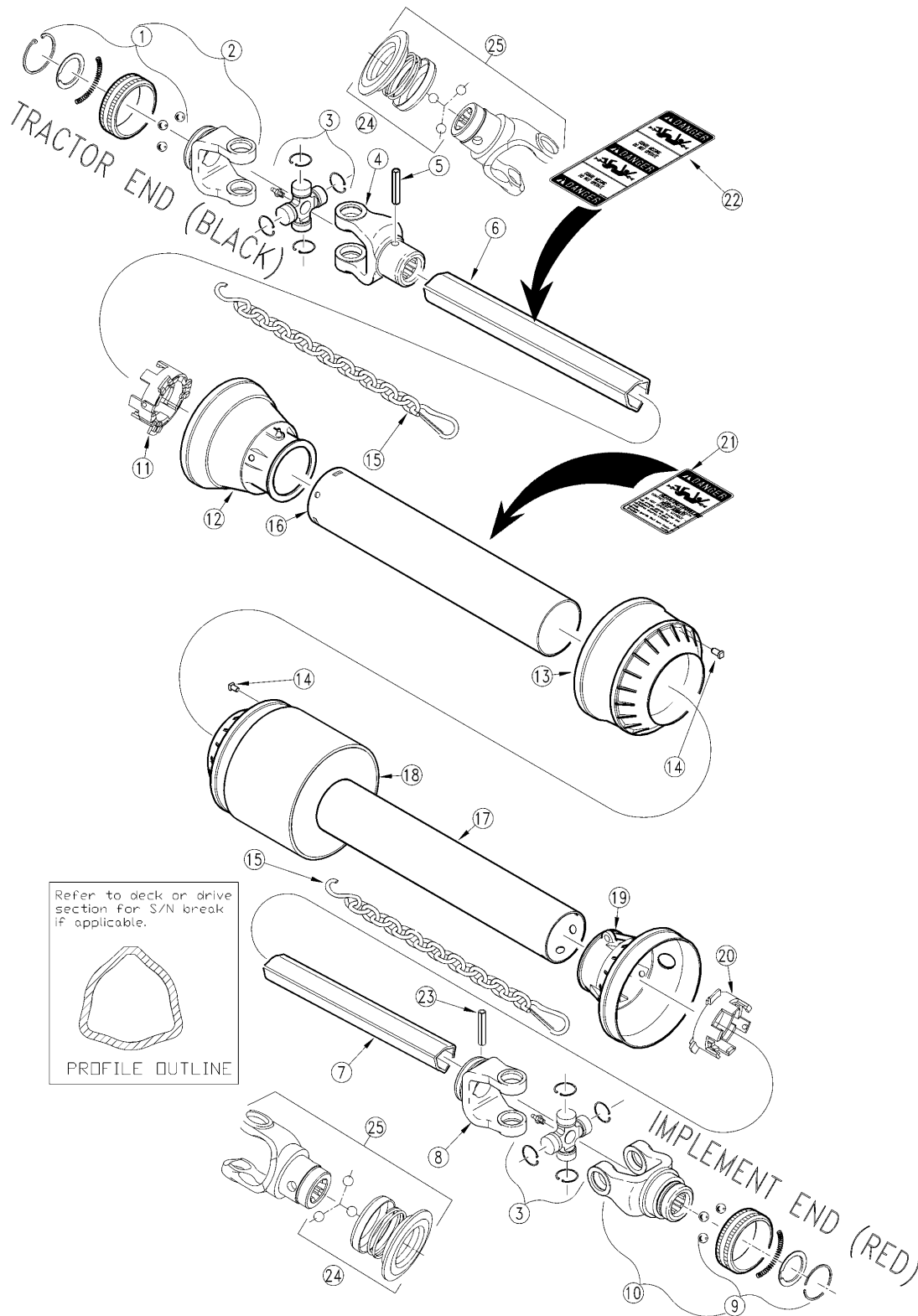
30000

Gearbox (826-326C) Comer**Applies to FDR2548, FDR2560, FDR2572, FDR2584**

Ref	Part No.	Part Description	Comments	Revision
	dwg30000	Drawing Image Number		
	826-326C	GBOX MOWER 50 HP 1:2.8 CW		
1.	8.6.5.00006	CO OIL PLUG 3/8		
2.	8.1.1.00501	CO BOLT M8X22 HHB		
3.	0.195.1300.00	CO COVER		
4.	0.195.2000.00	CO INPUT SHAFT 1" 3/8 Z6		
5.	8.7.0.00744	CO CAP 72 X 10		
6.	8.5.2.00131	CO SNAP RING INT 72 UN17437		
7.	A.248.500	COMER SHIM KIT 71.7		
8.	8.0.9.00026	CO ROLLER BEARING 30207 CL-B		
9.	8.5.1.00680	CO SNAP RING 40 UNI 7436		
10.	0.259.7525.00	CO SHIM 35.3 X 48 X 2.5		
11.	0.195.0300.00	CO HOUSING		
12.	8.0.9.00102	CO ROLLER BEARING 32208 CL-B		
13.	0.278.7103.00	CO NUT M40 X 1.5		
14.	8.7.3.00081	CO OIL SEAL 35 X 80 X 10 RTA35		
15.	1.195.7100.00	CO PROTECTIVE FLAT WASHER		
16.	8.5.3.00955	CO SNAP RING SB 81		
17.	8.3.2.00409	CO FLAT WASHER 25 X 44 X 4		
18.	8.2.2.01144	NUT CASTLE M 24 X 2		
19.	8.4.7.00516	CO COTTER PIN B5 X 50		
20.	A244.501	CO SHIM 40.3 X 51.5 826-067C		
21.	0.195.5000.00	CO PINION Z12 M4.7		
22.	822-166C	BEARING BALL 6207		
23.	8.7.3.00055	CO OIL SEAL 35 X 72 X 10		
24.	0.195.6000.00	CO CROWN GEAR Z33 M4.7		
25.	U0.195.7101.00	CO OIL LEVEL PLUG 3/8" GAS		

Driveline (826-273C) Eurocardan

Applies to FDR2548, FDR2560, FDR2572, FDR2584



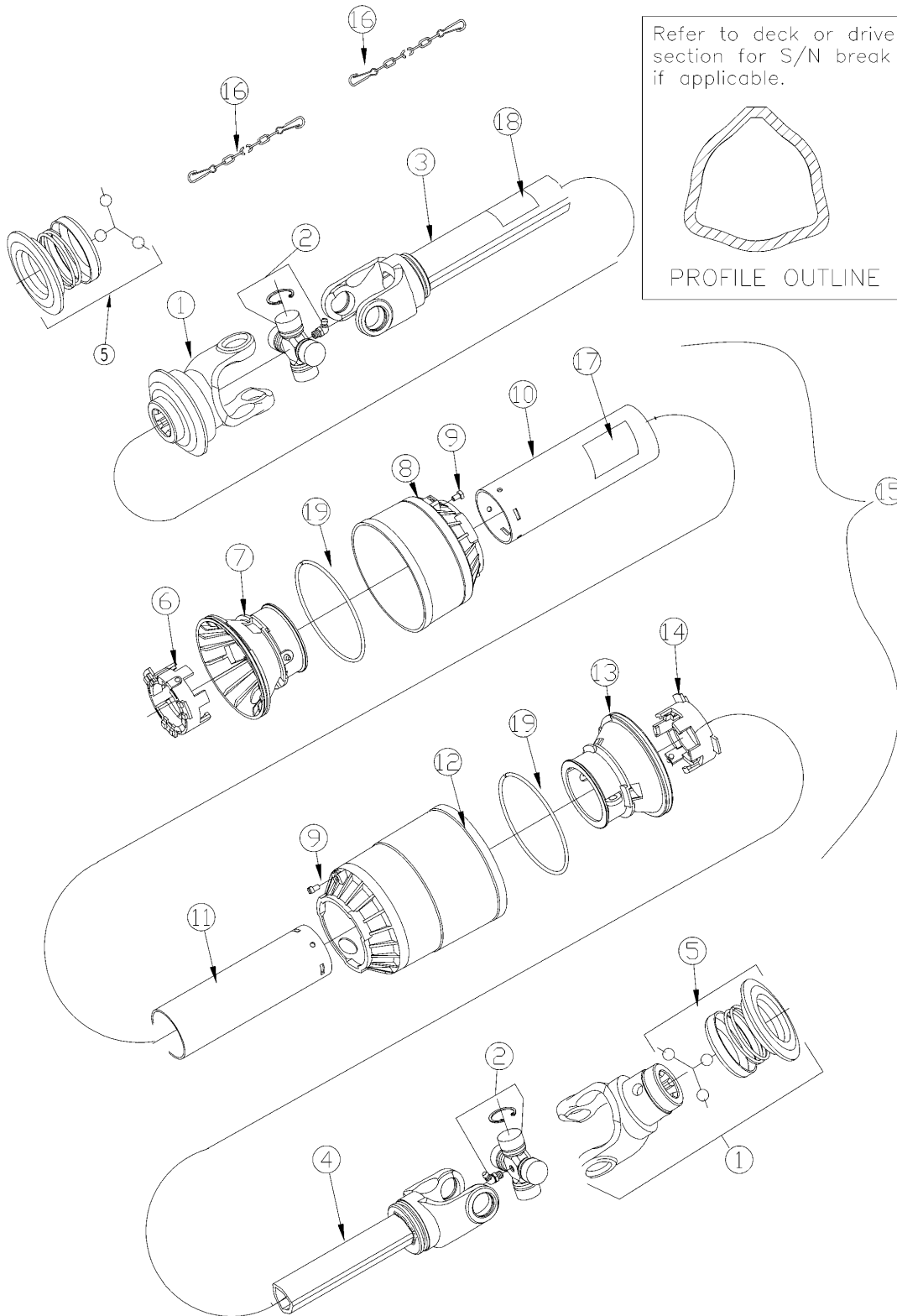
15220

Driveline (826-273C) Eurocardan**Applies to FDR2548, FDR2560, FDR2572, FDR2584**

Ref	Part No.	Part Description	Comments	Revision
	dwg15220	Drawing Image Number		
	826-273C	RPBY 826-410C		
1.	1004220	EC TWIST COLLAR KIT (TRT. END)		
2.	1013010	EC YOKE ASSEMBLY (TRACT. END)		
3.	1003020	EC CROSS ASSEMBLY		
4.	1703027	EC OUTER TUBE YOKE		
5.	6330860	EC 08X60 1485DIN ROLL PIN		
6.	1524061	EC OUTER TUBE (1524062) 610MM		
7.	1523061	EC INNER TUBE (1523085) 610MM		
8.	1703029	EC INNER TUBE YOKE		
9.	1004224	EC TWIST COLLAR KIT (IMP. END)		
10.	1113010	EC YOKE ASSEMBLY (IMP. END)		
11.	1784210	EC TUBE BEARING		
12.	1884201	EC OUTER TUBE RIGID CONE		
13.	1884203	EC SOFT CONE		
14.	1784212	EC PIN STOP ROTATION		
15.	044321	DRIVELINE SHIELD SAFETY CHAIN		
16.	1873053	EC OUTER TUBE (1873077) 530MM		
17.	1872053	EC INNER TUBE (1872075) 530MM		
18.	1884205	EC SOFT LONG CONE		
19.	1884202	EC INNER TUBE RIGID CONE		
20.	1784211	EC TUBE BEARING		
21.	818-552C	DECAL DANGER PTO DRIVELINE		
22.	818-540C	DECAL DANGER GUARD MISS PTO		
23.	6330855	EC 8X55-DIN-1481 O/TUBE R/PIN		
24.	1004225	EC PULL COLLAR KIT		
25.	1014012	EC YOKE ASSEMBLY		

Driveline (826-410C) Eurocardan

Applies to FDR2548, FDR2560, FDR2572, FDR2584



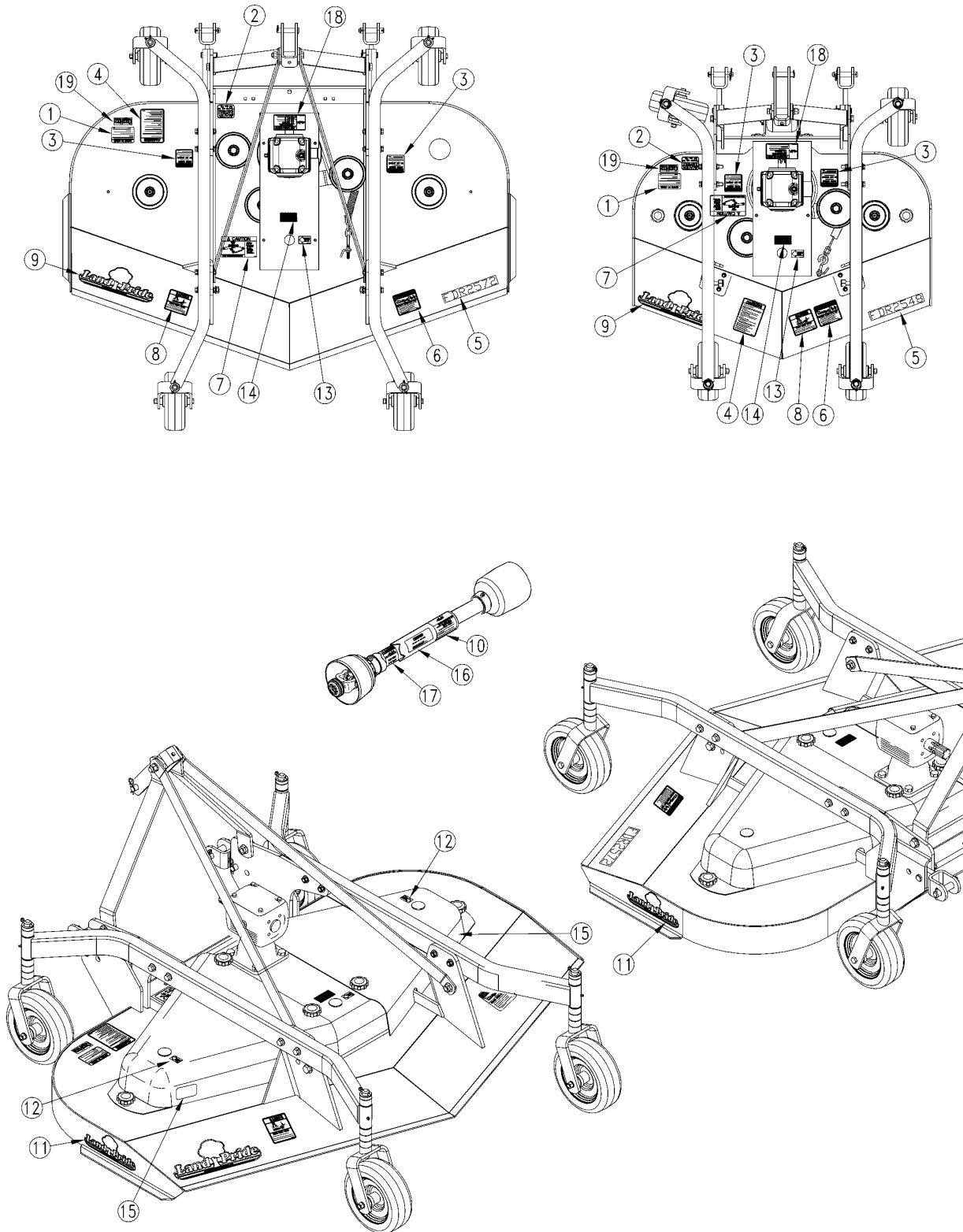
21269

Driveline (826-410C) Eurocardan**Applies to FDR2548, FDR2560, FDR2572, FDR2584**

Ref	Part No.	Part Description	Comments	Revision
	dwg21269	Drawing Image Number		
	826-410C	DRIVELINE CAT.3 X 38 STANDARD *		
1.	1014012	EC YOKE ASSEMBLY (TRACT. END)		
2.	1004020	EC CROSS ASSEMBLY (U JOINT)		
3.	1944056N	EC OUTSIDE TUBE WITH YOKE		
4.	1954058N	EC INSIDE TUBE WITH YOKE		
5.	1004225	EC PULL COLLAR KIT		
6.	1784210	EC TUBE BEARING		
7.	1884201	EC OUTER TUBE RIGID CONE		
8.	1884203	EC SOFT CONE		
9.	1784212	EC PIN STOP ROTATION		
10.	1873054	EC OUTER TUBE (1873077) 540MM		
11.	1872054	EC INNER TUBE (1872087) 540MM		
12.	1884205	EC SOFT LONG CONE		
13.	1884202	EC INNER TUBE RIGID CONE		
14.	1784211	EC TUBE BEARING		
15.	1006065	REP BY 044321		
16.	1140001	REP BY 818-552C		
17.	1140003	REP BY 818-540C		
18.	1213233	EC STIFFENING RING		

Label Placement

Applies to FDR2548, FDR2560, FDR2572, FDR2584



17473

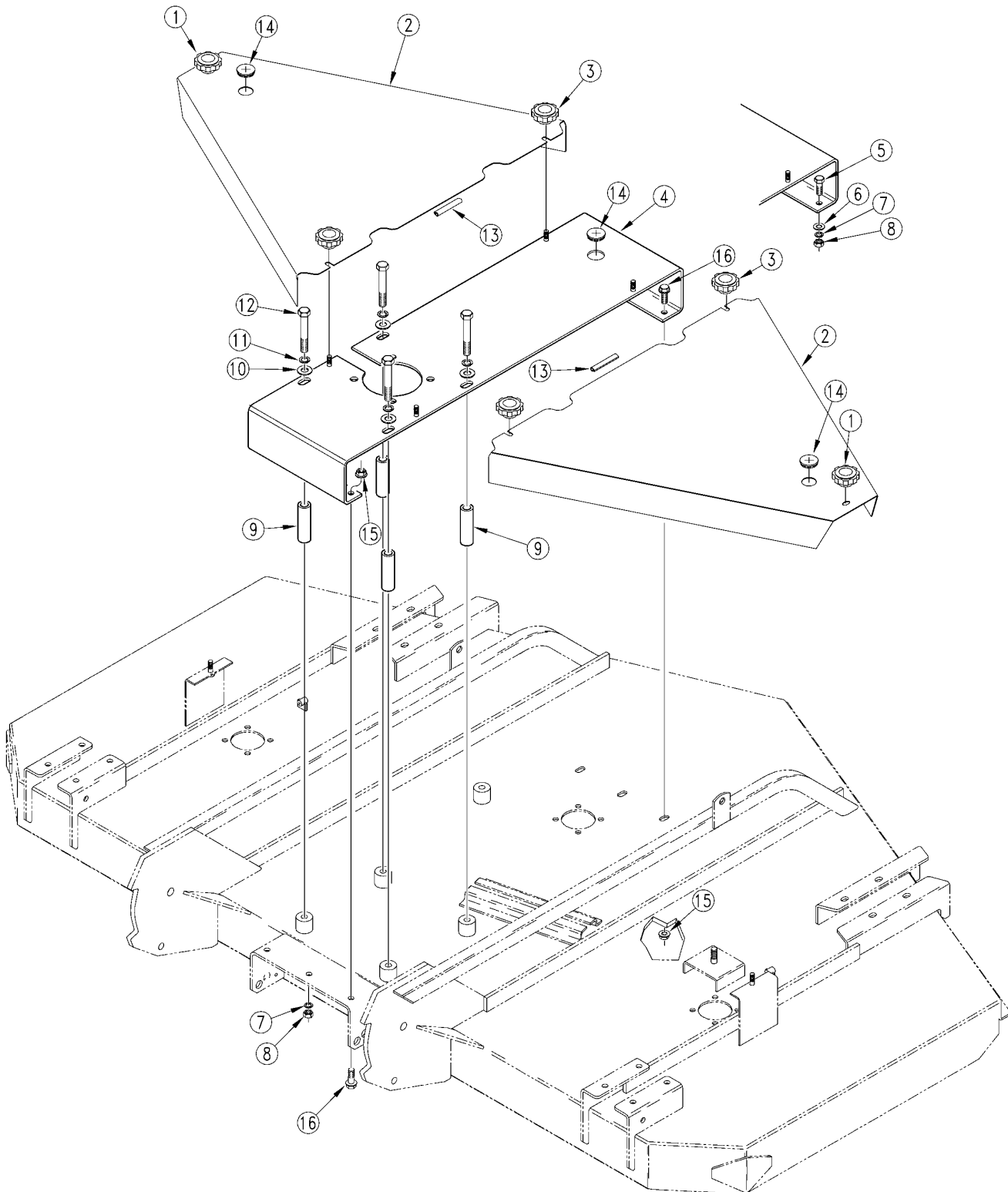
Label Placement

Applies to FDR2548, FDR2560, FDR2572, FDR2584

Ref	Part No.	Part Description	Comments	Revision
	dwg17473	Drawing Image Number		
	310-304A	FDR2560 DECAL SHIPOUT BUNDLE		
	310-305A	FDR2572 DECAL SHIPOUT BUNDLE		
	310-306A	FDR2584 DECAL SHIPOUT BUNDLE		
	310-308A	FDR2548 DECAL SHIPOUT BUNDLE		
1.	818-560C	DECAL NOTICE TO OWNER-NO WARRA		
2.	818-558C	DECAL WARNING GEN SAFE MOWER		
3.	818-543C	DECAL DANGER PD GUARD MISS SML		
4.	818-130C	DECAL CAUTION 540 RPM		
5.	838-302C	DECAL FDR2548-BROWN		
5.	818-904C	DECAL FDR2560 - BROWN	Beige Unit	
5.	848-160C	DECAL FDR2572 - GOLD	Orange Unit	
5.	818-905C	DECAL FDR2572 - BROWN	Shown	
5.	818-906C	DECAL FDR2584 - BROWN	Beige Unit	
5.	848-241C	DECAL FDR2584-GOLD	Orange Unit	
6.	818-555C	DECAL DANGER ROTATE BLADE		
7.	838-116C	DECAL FDR2584 V-BELT INST. CW		
7.	838-270C	DECAL FDR2560 V-BELT INST. CW	FDR2548, FDR2560 & FDR2572 Shown	
8.	818-556C	DECAL DANGER THROWN OBJ CUTTER		
9.	818-891C	DECAL LP W/TREE 13.25"-2 COLOR	Beige Unit	
9.	838-962C	DECAL LP 13" W/TREE BROWN/GOLD	Orange Unit	
10.	818-552C	DECAL DANGER PTO DRIVELINE		
11.	818-890C	DECAL LP W/TREE 10" - 2 COLOR	Beige Unit	
11.	838-963C	DECAL LP 10" W/TREE BROWN/GOLD	Orange Unit	
12.	818-298C	DECAL GREASE 25HRS BLACK/WHITE		
13.	818-138C	DECAL GREASE EVERY 25 HOURS		
14.	818-190C	DECAL FLAG		
15.	818-230C	DECAL RED REFLECTOR		
16.	838-063C	DECAL DRIVELINE 826-273C		
17.	818-540C	DECAL DANGER GUARD MISS PTO		
18.	818-142C	DECAL DANGER PTO DRIVELINE		
19.	838-517C	DECAL QUICK HITCH SYSTEM	Not Used on FDR2548	

Belt Guard

Applies to FDR3590



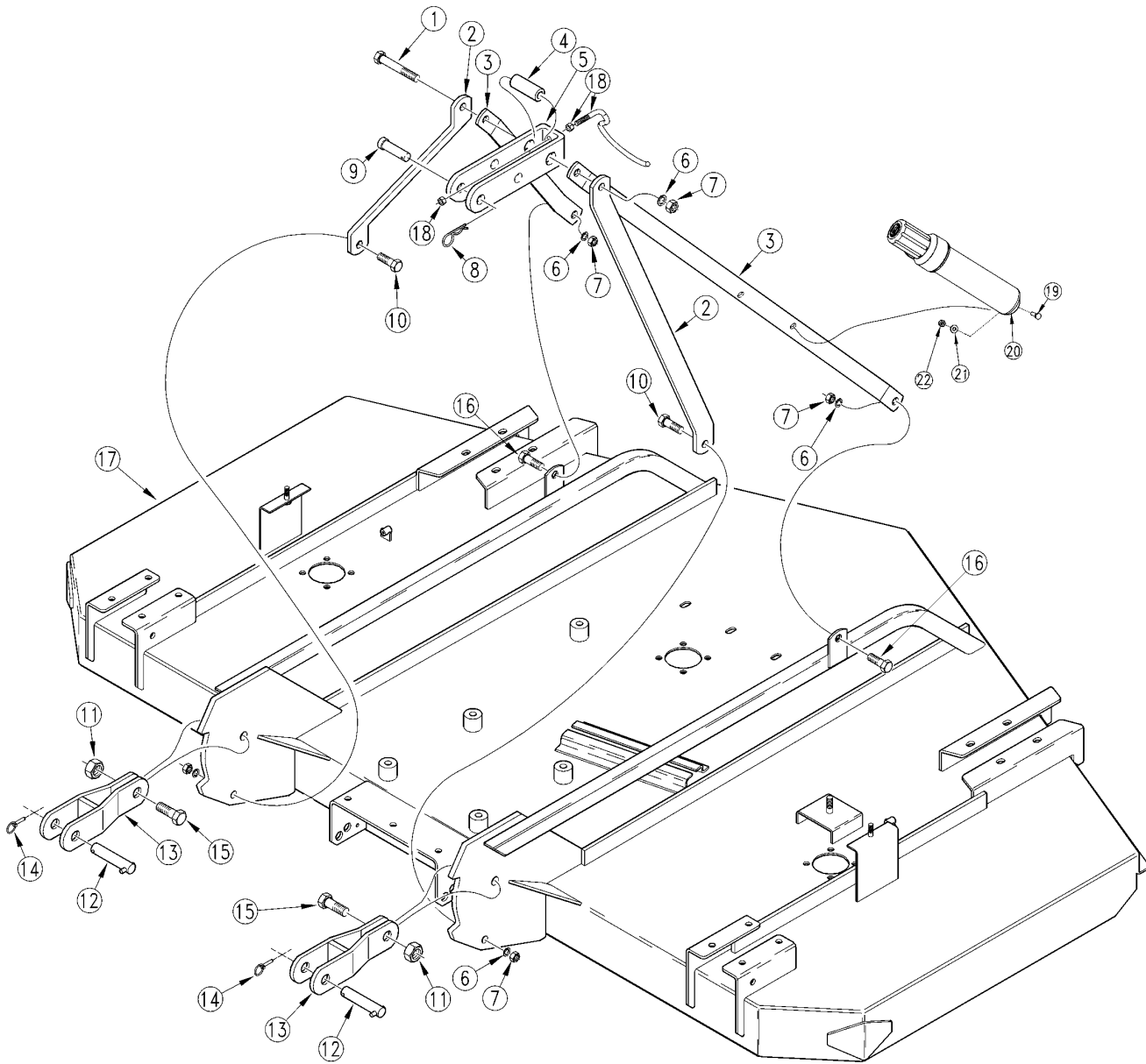
15930

Belt Guard**Applies to FDR3590**

Ref	Part No.	Part Description	Comments	Revision
	dwg15930	Drawing Image Number		
1.	817-259C	KNOB 3/8-16 FEMALE THD 2 3/8OD		
2.	315-787D	FDR3590 RH & LH BELT COVER	(S/N 239292+)	Rev. 2 not compat. w/Rev. 1
2.	315-732D	4522 BELT COVER	(S/N 239291-)	Rev. 1
3.	817-259C	KNOB 3/8-16 FEMALE THD 2 3/8OD	(S/N 332289+)	Rev. 2
3.	803-231C	NUT WING 3/8-16 PLT	(S/N 332288-)	Use up stock
4.	315-409H	FDR3590 GEARBOX CHANNEL WLDMNT	(S/N 239292+)	Rev. 2 not compat. w/Rev. 1
4.	315-409H82	FDR3590 GEARBOX CHANNEL ORANGE		
4.	310-222H	FDR3590 GEARBOX CHANNEL WELD	(S/N 239291-)	Rev. 1
5.	802-091C	HHCS 1/2-13X1 1/2 GR5	(S/N 286329-)	
6.	804-016C	WASHER FLAT 1/2 SAE PLT	(S/N 286329-)	
7.	804-015C	WASHER LOCK SPRING 1/2 PLT	(S/N 286329-)	
8.	803-020C	NUT HEX 1/2-13 PLT	(S/N 286329-)	
9.	315-562D	GEAR BOX CHANNEL SPACER		
10.	804-021C	WASHER FLAT 5/8 SAE PLT		
11.	804-022C	WASHER LOCK SPRING 5/8 PLT		
12.	802-100C	HHCS 5/8-11X4 1/2 GR5		
13.	816-004C	VINYL SEAL 3/8 X 1/2/FT		
14.	816-298C	RUBBER PLUG 1 3/8 W/CROSS SLIT	(S/N 239292+)	
15.	803-037C	NUT HEX WHIZ 1/2-13 PLT	(S/N 286330+)	
16.	802-203C	HFSS 1/2-13X1 1/2 GR5	(S/N 286330+)	

Hitch

Applies to FDR3590



15929

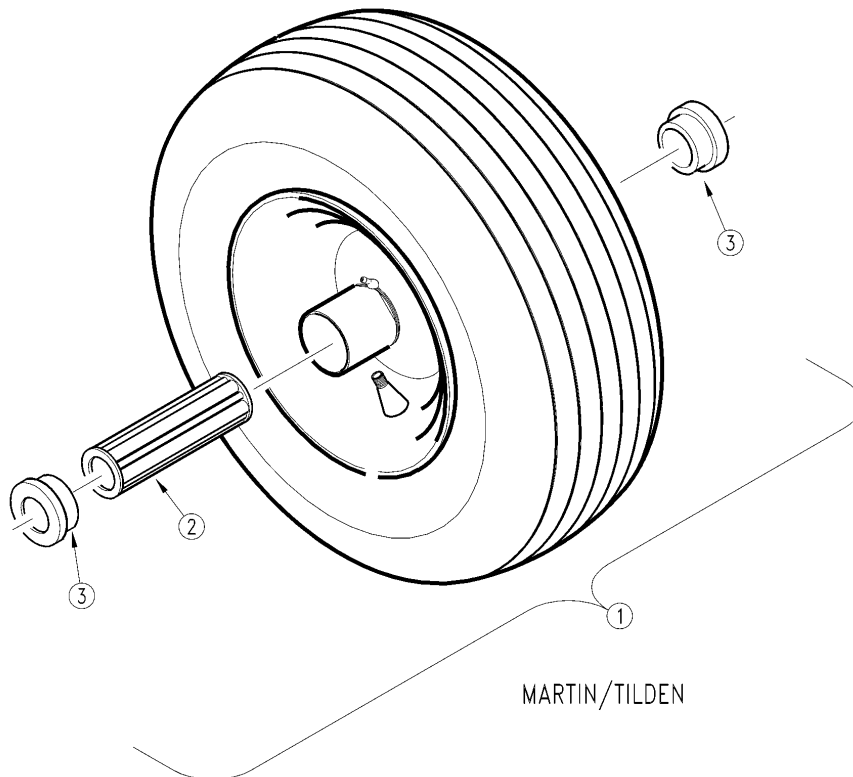
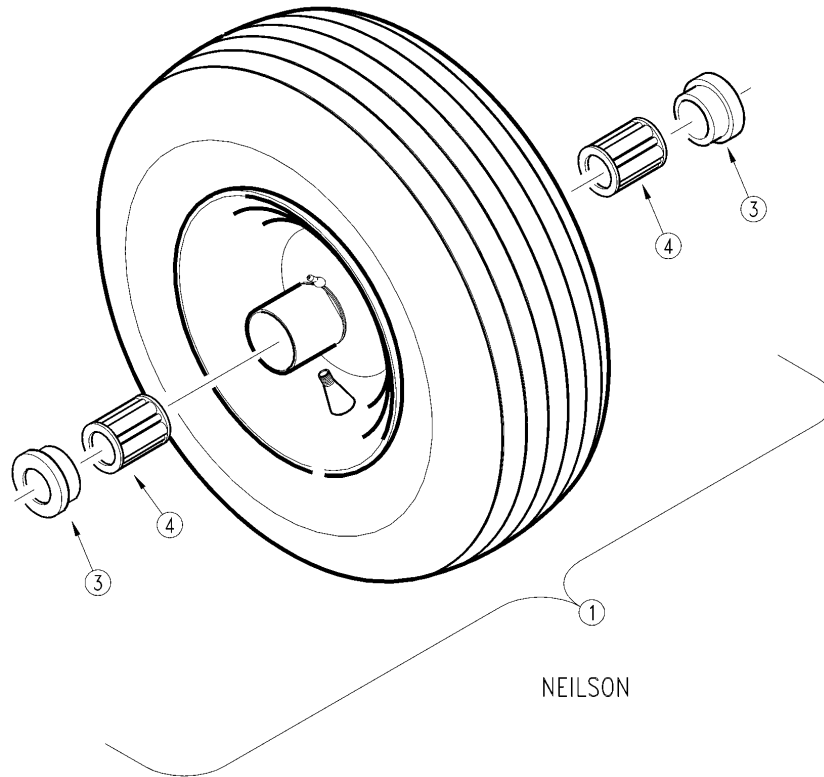
Hitch

Applies to FDR3590

Ref	Part No.	Part Description	Comments	Revision
	dwg15929	Drawing Image Number		
1.	802-242C	HHCS 5/8-18X5 1/2 GR5	(S/N _____+)	
1.	802-307C	HHCS 5/8-18X5 GR5	(S/N _____-)	
2.	310-375D	FDR1572-60 UPPER HITCH BAR		
3.	310-425D	FDR UPPER HITCH BRACE		
4.	312-610D	SPACER TUBE 1 1/8 OD X 3 1/8	(S/N _____+)	
4.	310-012D	SPACER - TOP HITCH	(S/N _____-)	
5.	312-609D	PIVOTING UPPER HITCH	(S/N _____+)	
5.	312-085D	PIVOTING HITCH - UPPER	(S/N _____-)	
6.	804-022C	WASHER LOCK SPRING 5/8 PLT		
7.	803-022C	NUT HEX 5/8-18 PLT		
8.	805-143C	PIN HAIR COTTER .120 PLT		
9.	805-142C	PIN CLEVIS 3/4 X 3 1/2 PLT		
10.	802-246C	HHCS 5/8-18X1 3/4 GR5		
11.	803-114C	NUT LOCK 3/4-16 NYLOC COLLAR		
12.	310-020S	LOWER HITCH PIN		
13.	310-125H	LOWER HITCH LUG 1560		
14.	805-015C	PIN LYNCH 5/16 X 1 3/4		
15.	802-321C	HHCS 3/4-16X2 1/2 GR5		
16.	802-207C	HHCS 5/8-18X1 1/2 GR5		
17.	310-221H	FDR3590 MOWER DECK WELD		
17.	310-221H82	FDR3590 MOWER DECK WLD ORANGE		
18.	800-320C	DRIVELINE HOOK HANGER W/HRDWR	(S/N 317416+)	
19.	802-005C	HHCS 1/4-20X1 GR5	(S/N _____+)	
20.	816-504C	MANUAL STORAGE CONTAINER	(S/N _____+)	
21.	804-007C	WASHER FLAT 1/4 SAE PLT	(S/N _____+)	
22.	803-255C	NUT HEX NYLOCK 1/4-20	(S/N _____+)	

Gauge Wheel Tire

Applies to FDR3590



13631

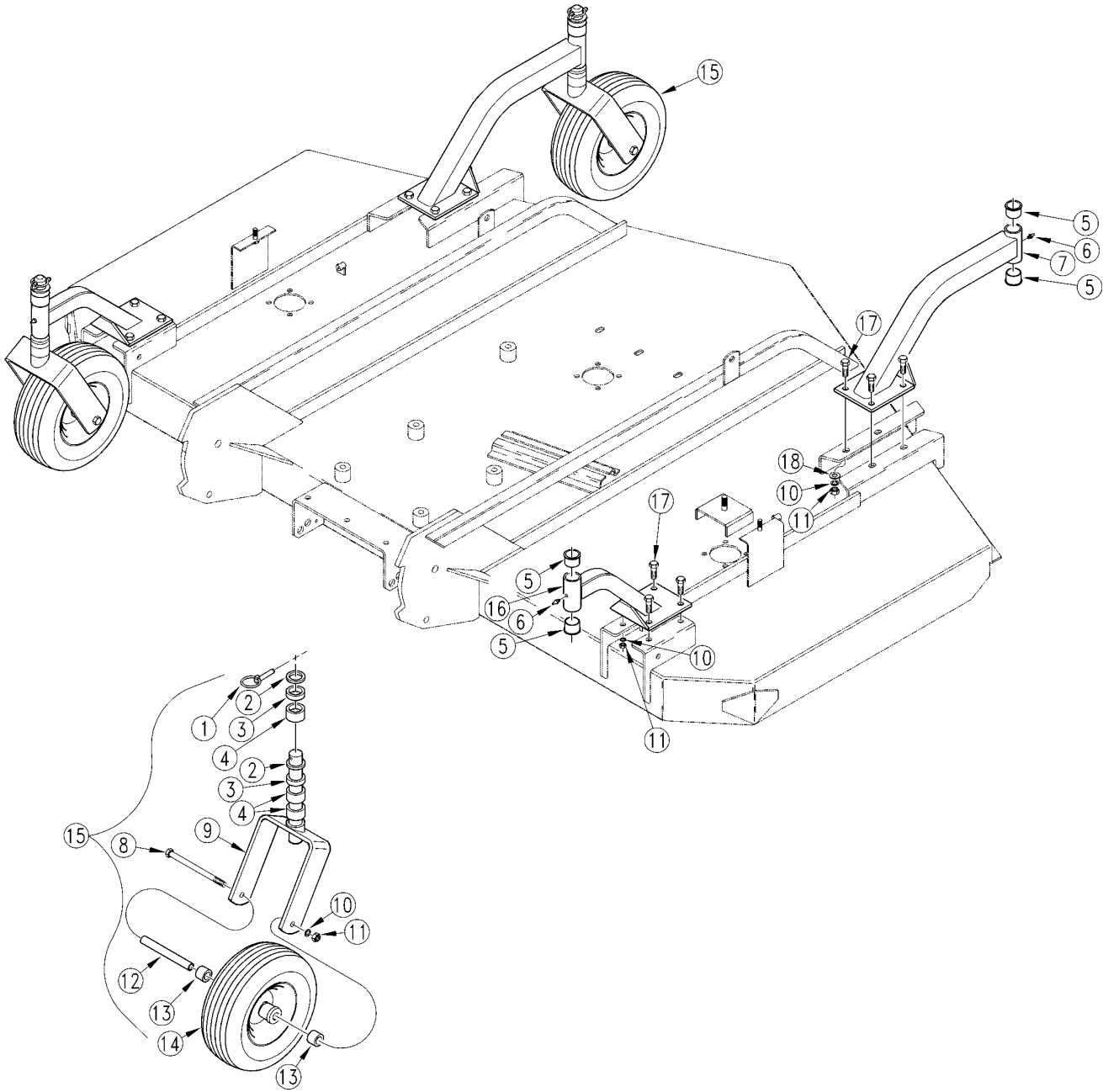
Gauge Wheel Tire

Applies to FDR3590

Ref	Part No.	Part Description	Comments	Revision
	dwg13631	Drawing Image Number		
1.	814-114C	TIRE 13X5.00-6 AIR TIREW/HOLES	Neilson/Martin/Tilden	Rev. 2
1.	814-070C	RPBY 814-114C	Neilson/Martin	Rev 1; Use up stock
1.	814-272C	TIRE 13X5.0-6SEMI-SOLID SMOOTH	S/N 454239+	Rev. 2
1.	814-193C	RPBY 814-272C	S/N 454238-	Rev. 1
2.	53-180	TILDEN BRG 1.38 OD X3.7LG.75ID		
3.	53-164	TILDEN RTNR 3/4IDX1 3/8OD		
4.	53-189	TILDEN BRG 3/4ID1.34ODX15/16L		

Gauge Wheels Front And Rear

Applies to FDR3590



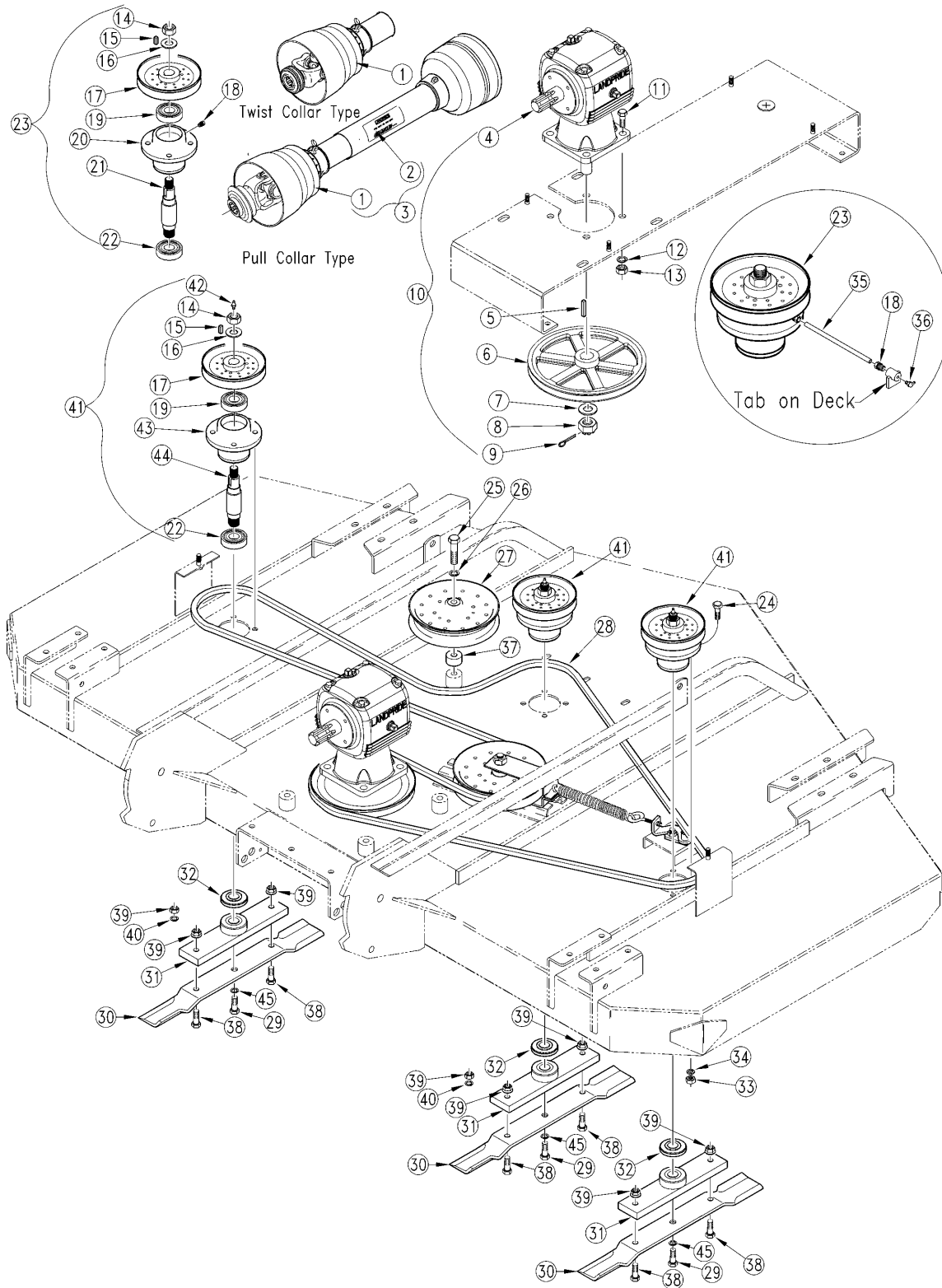
15931

Gauge Wheels Front And Rear**Applies to FDR3590**

Ref	Part No.	Part Description	Comments	Revision
	dwg15931	Drawing Image Number		
1.	805-015C	PIN LYNCH 5/16 X 1 3/4	(S/N 264391+)	Rev. 2 not compat. w/Rev. 1
1.	805-126C	PIN LYNCH 1/4 X 1 3/4 PLT	(S/N 264390-)	Rev. 1
2.	310-359D	GW SPACER 1/4		
3.	310-252D	G.W. SPACER 1/2		
4.	310-251D	G.W. SPACER 1		
5.	890-202C	GAUGE WHEEL SFT PIVOT BUSHING		
6.	800-001C	GREASE ZERK STRAIGHT 1/4-28		
7.	310-224H	FDR3590 REAR G.W. MOUNT		
7.	310-224H82	FDR3590 REAR G.W. MOUNT ORANGE		
8.	802-305C	HHCS 1/2-20X8 GR5		
9.	310-090H	90 GAUGE WHEEL YOKE		
9.	310-090H82	90 GAUGE WHEEL YOKE ORANGE		
10.	804-015C	WASHER LOCK SPRING 1/2 PLT		
11.	803-018C	NUT HEX 1/2-20 PLT		
12.	310-249D	SPACER TUBE-LG. G.W.		
13.	310-250D	SPACER TUBE-SH. G.W.		
14.	814-114C	TIRE 13X5.00-6 AIR TIREW/HOLES		Rev. 2
14.	814-070C	RPBY 814-114C		Rev 1; Use up stock
14.	814-272C	TIRE 13X5.0-6SEMI-SOLID SMOOTH	S/N 454239+	Rev. 2
14.	814-193C	RPBY 814-272C	S/N 454238-	Rev. 1
15.	310-100S	90 G W YOKE SUB ASSY		
16.	310-223H	FDR3590 FRONT G.W. MOUNT		
16.	310-223H82	FDR3590 FRONT GW MOUNT ORANGE		
17.	802-091C	HHCS 1/2-13X1 1/4 GR5		
18.	804-016C	WASHER FLAT 1/2 SAE PLT		

Belt Drive

Applies to FDR3590



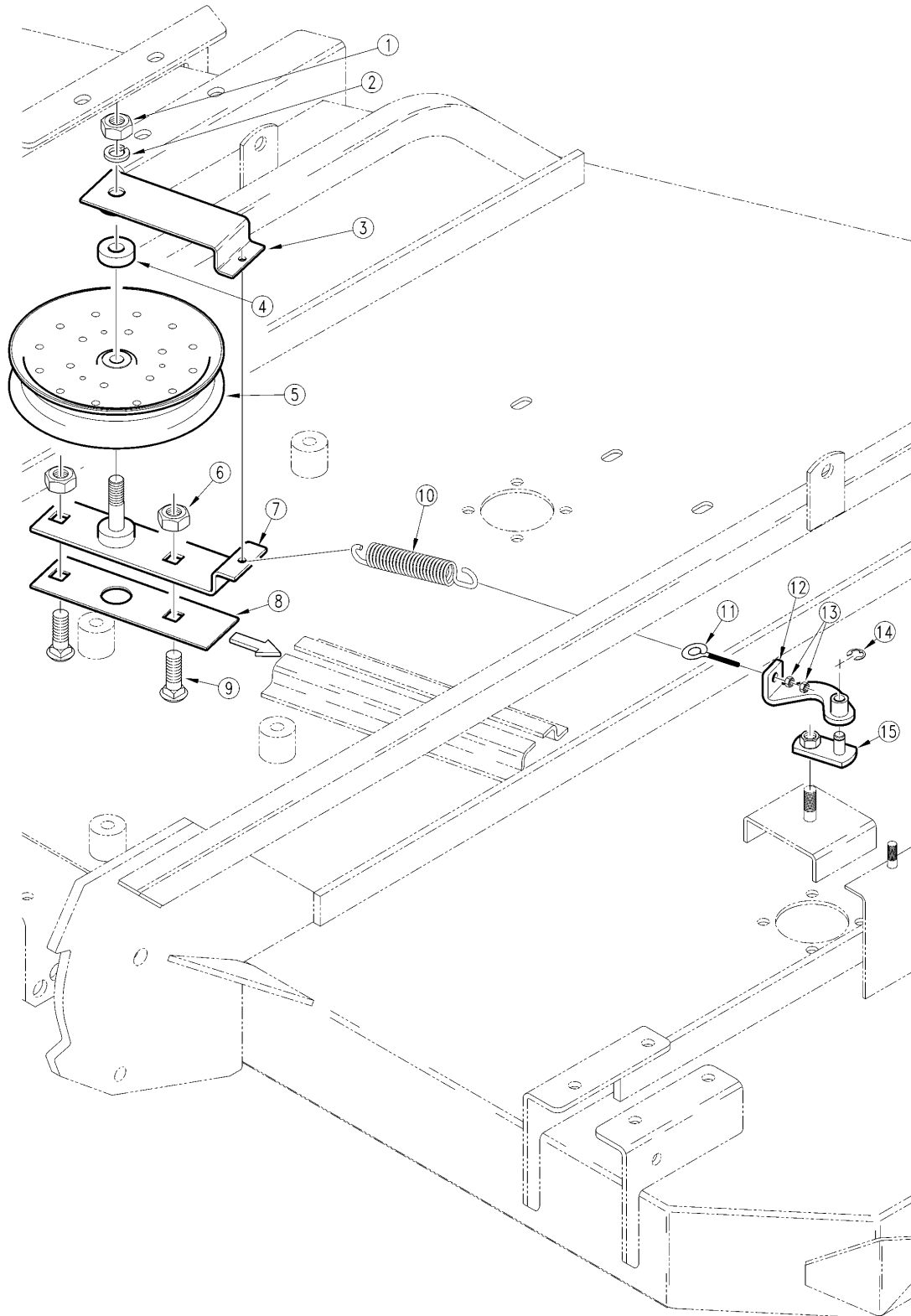
15933

Belt Drive**Applies to FDR3590**

Ref	Part No.	Part Description	Comments	Revision
	dwg15933	Drawing Image Number		
1.	826-213C	DRIVELINE CAT 4 W/O CLUTCH 33		
2.	818-783C	DECAL 826-213C DRIVELINE		
3.	310-230S	DRIVELINE 826-213CW/OCLUTCH 33		
4.	826-326C	GBOX MOWER 50 HP 1:2.8 CW	(S/N 333517+)	Rev. 2 not compat. w/Rev. 1
4.	826-206C	RC-25 1:2.8 CW 90 BOX(RC25HR)		Rev. 1
5.	310-331D	KEY 1/4 X 11/16 LONG		
6.	808-337C	C-GROOVE PULLEY 11" CAST-IRON	(S/N 346256+)	Rev. 2
6.	808-231C	C-GROOVE DRIVE PULLEY 11 OD	(S/N 346255-)	Rev. 1
7.	804-029C	WASHER FLAT 1 SAE		
8.	803-095C	NUT HEX SLOTTED 1-14		
9.	805-017C	PIN COTTER 3/16 X 1 3/4 PLT		
10.	315-341V	AFM4522 CW GEAR BOX SUB		
11.	802-246C	HHCS 5/8-18X1 3/4 GR5		
12.	804-022C	WASHER LOCK SPRING 5/8 PLT		
13.	803-022C	NUT HEX 5/8-18 PLT		
14.	803-114C	NUT LOCK 3/4-16 NYLOC COLLAR		
15.	172-242D	1/4 SQ. KEY X 7/8 LG		
16.	804-093C	WASHER FLAT 3/4 HARD ASTMF436		
17.	808-268C	PULLEY SPINDLE 7 1/2		Rev. 2
17.	808-106C	RPBY 808-268C		Rev 1; Use up stock
18.	800-157C	FTG TUBE,CONNECTOR 1/8 MNPT	(S/N 239291-)	
19.	822-162C	BEARING 6007 W/ METAL SHIELD		
20.	310-224D	BLADE HUB- MACH.-90	(S/N 239291-)	
21.	310-225D	RPBY 310-353S	(S/N 239291-)	
22.	822-096C	# 107 BEARING SINGLE SEAL		
23.	310-228S	FDR3590 BLADE HUB ASSY	(S/N 239291-)	
24.	802-229C	HHCS 7/16-20X1 1/2 GR8		
25.	802-281C	HHCS 5/8-11X2 3/4 GR5		
26.	804-022C	WASHER LOCK SPRING 5/8 PLT		
27.	808-107C	PULLEY IDLER 9 OD		
28.	816-101C	V-BELT C195 199.2 E.L. KEVLAR		
29.	802-698C	HFS 1/2-20X2 1/2 GR8	(S/N 329661+)	Rev. 2 not compat. w/Rev. 1
29.	802-320C	HHCS 1/2-20X2 GR5	(S/N 329660-)	Rev. 1
30.	890-533C	MWR BLD 5/16X31 17/32SD ML CW	Standard Medium Lift Blades 3 per Mower	
30.	890-223C	MWR BLD 5/16X31 17/32SD HL CW	Optional High Lift Blades 3 per Mower	
30.	890-205C	MWR BLD 5/16X31 17/32SD LL CW	Optional Low Lift Blades 3 per Mower	
30.	890-704C	MWR BLD MULCH 1/4X31.53SD C	Optional mulch blades 3 per mower	
31.	310-225H	FDR3590 BLADE MOUNT BAR		
32.	310-227D	BLADE WASHER-90		
33.	803-115C	NUT HEX 7/16-20 PLT		
34.	804-014C	WASHER LOCK 7/16 PLT		
35.	990-109R	TUBE NYLON 1/4OD X 062WL	(S/N 239291-)	
36.	800-193C	GREASE ZERK 1/8NPT 45-DEG	(S/N 239291-)	
37.	315-049D	LOCK PIN STORAGE TUBE		
38.	802-329C	HHCS 1/2-20X1 3/4 GR5		
39.	803-308C	NUT HEX FLG. LOCK 1/2-20 PLT.	(S/N 319784+)	Rev. 2
39.	803-018C	NUT HEX 1/2-20 PLT	(S/N 319783-)	Rev 1; Use up stock
40.	804-015C	WASHER LOCK SPRING 1/2 PLT		
41.	310-250S	CW TG SPNDL HUB ASSY 7.5" PULL	(S/N 239292+)	
42.	800-001C	GREASE ZERK STRAIGHT 1/4-28	(S/N 239292+)	
43.	310-457D	BLADE HUB MACHINED TOP GREASE	(S/N 239292+)	
44.	310-632D	BLADE SPINDLE SHAFT CW HVY TG	(S/N 329661+)	Rev. 2 not compat. w/Rev. 1
44.	310-456D	RPBY 310-351S	(S/N 239292 <-> 329660)	Rev. 1
45.	804-015C	WASHER LOCK SPRING 1/2 PLT	(S/N 329660-)	

Belt Drive - Takeup

Applies to FDR3590



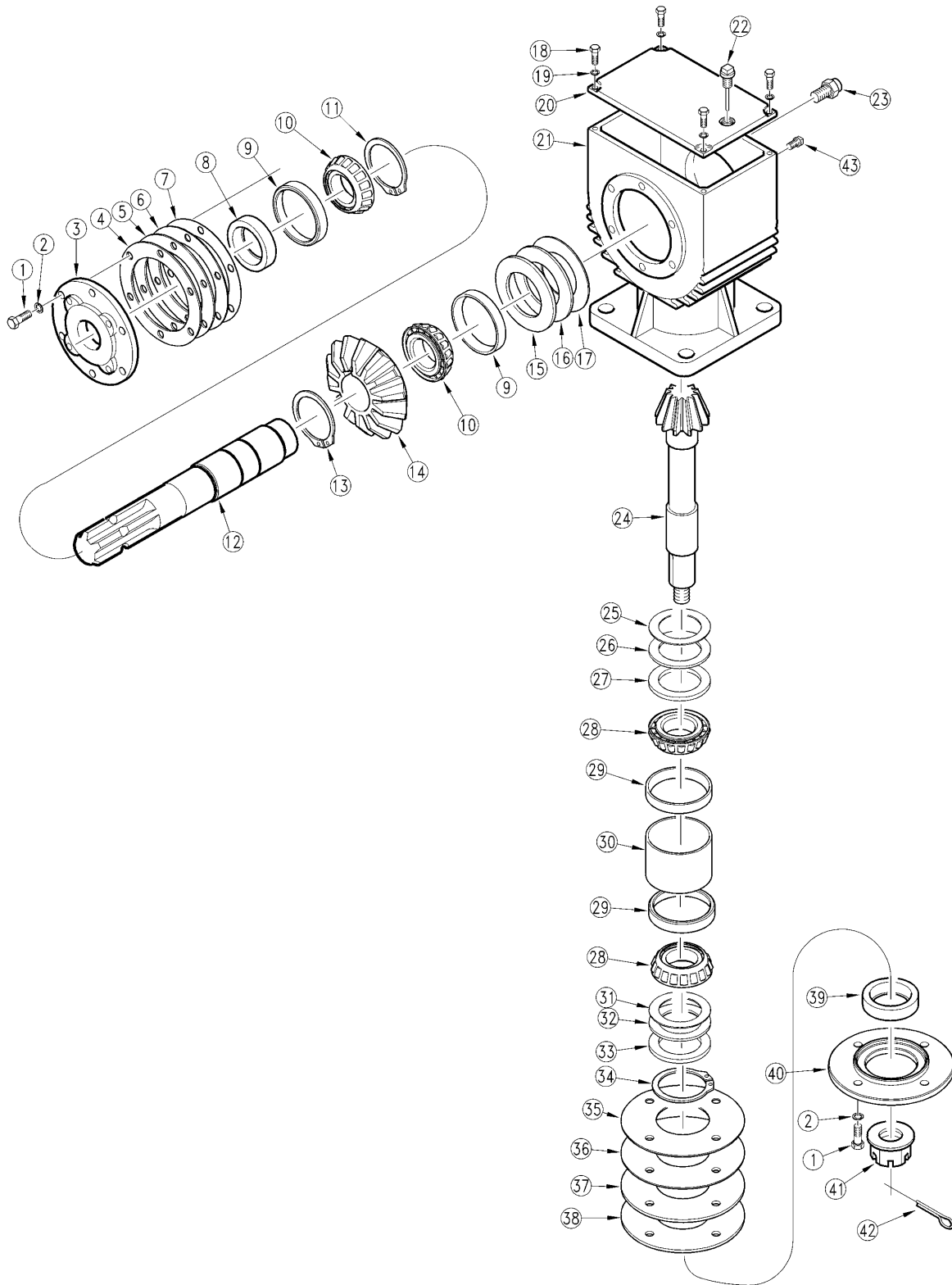
15932

Belt Drive - Takeup**Applies to FDR3590**

Ref	Part No.	Part Description	Comments	Revision
	dwg15932	Drawing Image Number		
1.	803-022C	NUT HEX 5/8-18 PLT		
2.	804-022C	WASHER LOCK SPRING 5/8 PLT		
3.	310-248D	TOP IDLER PULLEY TAKE-UP		
4.	310-049D	IDLER PULLEY SPACER		
5.	808-107C	PULLEY IDLER 9 OD		
6.	803-024C	NUT LOCK 5/8-11 PLT		
7.	310-093H	TAKE-UP PULLEY MTG-90		
8.	310-256D	IDLER SLIDE SPACER		
9.	802-306C	RHSNB 5/8-11X1 1/4 GR5		
10.	807-050C	SPRING EXT 1 13/32 X 6 EXT		
11.	802-567C	SP EYE 3/8-16X4		
12.	310-095H	SPRING EYE-BOLT BRACKET		
13.	803-014C	NUT HEX 3/8-16 PLT		
14.	800-099C	SNAP RING EXT 7/16		
15.	310-094H	OVER-CENTER LATCH-90		

Gearbox (826-206C) OMNI

Applies to FDR3590



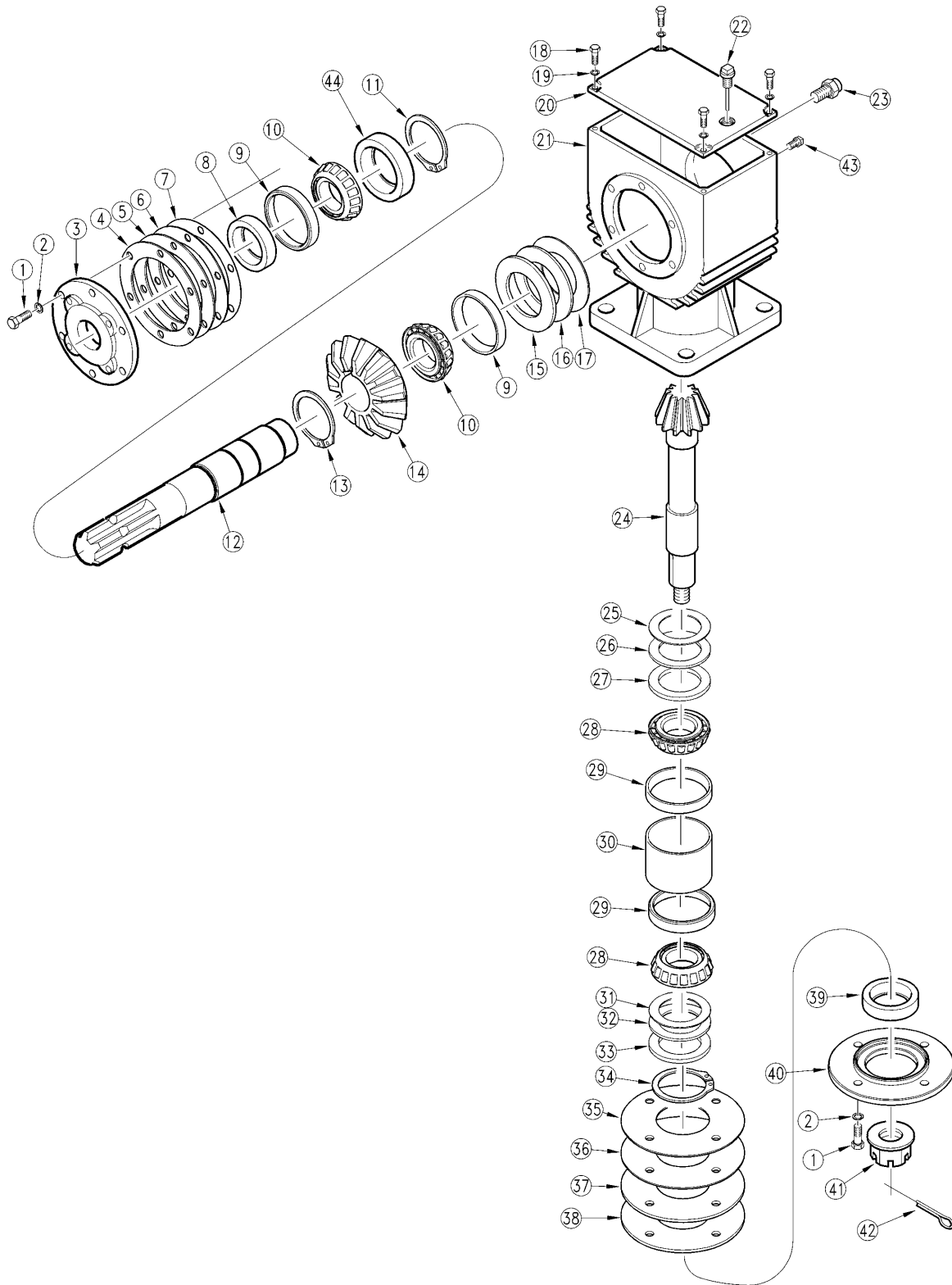
15934

Gearbox (826-206C) OMNI**Applies to FDR3590**

Ref	Part No.	Part Description	Comments	Revision
	dwg15934	Drawing Image Number		
	826-206C	RPBY 826-296C		
1.	110192	OMNI SCREW-5/16"-18UNC X 7/8"		
2.	130006	OMNI LOCKWASHR 5/16"SPLIT TYPE		
3.	020224	OMNI CAP-INPUT		
4.	070249	OMNI GASKET-INPUT 0.50MM		
5.	070248	OMNI GASKET-INPUT 0.30MM		
6.	070247	OMNI GASKET-INPUT 0.20MM		
7.	070246	OMNI GASKET-INPUT 0.10MM		
8.	060127	OMNI SEAL-INPUT CR13930		
9.	050170	OMNI BEARING CUP 30207		
10.	050172	OMNI BEARING CONE 30207		
11.	200140	OMNI RTNG. RING 38MM RC DSH-38		
12.	040335	OMNI SHAFT-INPUT 1-3/8"-6 SPLN		
13.	200141	OMNI RTNG. RING 38MM RC DSH-38		
14.	030457	OMNI GEAR INPUT, 34T		
15.	090181	OMNI SHIM INPUT 0.30MM		
16.	090180	OMNI SHIM INPUT 0.20MM		
17.	090179	OMNI SHIM INPUT 0.10MM		
18.	110009	OMNI SCREW-1/4"-20 UNC X 3/4"		
19.	130028	OMNI LOCKWASHR 1/4" SPLIT TYPE		
20.	240280	OMNI INSPECTION COVER		
21.	010175	OMNI HOUSING-RC-25		
22.	140047	OMNI PLUG SQ.HD.1/2-14NPT W/DP		
23.	140000	OMNI PIPE PLUG 1/2' SQ HEAD	(S/N 215411+)	Rev. 2 not compat. w/Rev. 1
23.	140033	OMNI PLUG VENT 1/2-14 NPTF	(S/N 215410-)	Rev. 1
24.	030456	OMNI PINION-OUTPUT 12T		
25.	090182	OMNI SHIM OUTPUT 0.10MM		
26.	090183	OMNI SHIM OUTPUT 0.20MM		
27.	090184	OMNI SHIM OUTPUT 0.30MM		
28.	050197	OMNI BEARING CONE 30208		
29.	050195	OMNI BEARING CUP 30208		
30.	090185	OMNI SPACER OUTPUT		
31.	090186	OMNI SHIM OUTPUT 0.10MM		
32.	090187	OMNI SHIM OUTPUT 0.20MM		
33.	090188	OMNI SHIM OUTPUT 0.30MM		
34.	200000	OMNI RETAINING RING		
35.	070250	OMNI GASKET-OUTPUT 0.10MM		
36.	070253	OMNI GASKET-INPUT 0.50MM		
37.	070252	OMNI GASKET-INPUT 0.30MM		
38.	070251	OMNI GASKET-INPUT 0.20MM		
39.	060128	OMNI SEAL-OUTPUT CR15822		
40.	020225	OMNI CAP-OUTPUT		
41.	120050	OMNI NUT HEX SLOTTED, 1-14UNC		
42.	100001	OMNI COTTER PIN 5 X 50		
43.	140017	OMNI PLUG PIPE SQ HD1/8-27NPTF		

Gearbox (826-296C) OMNI

Applies to FDR3590



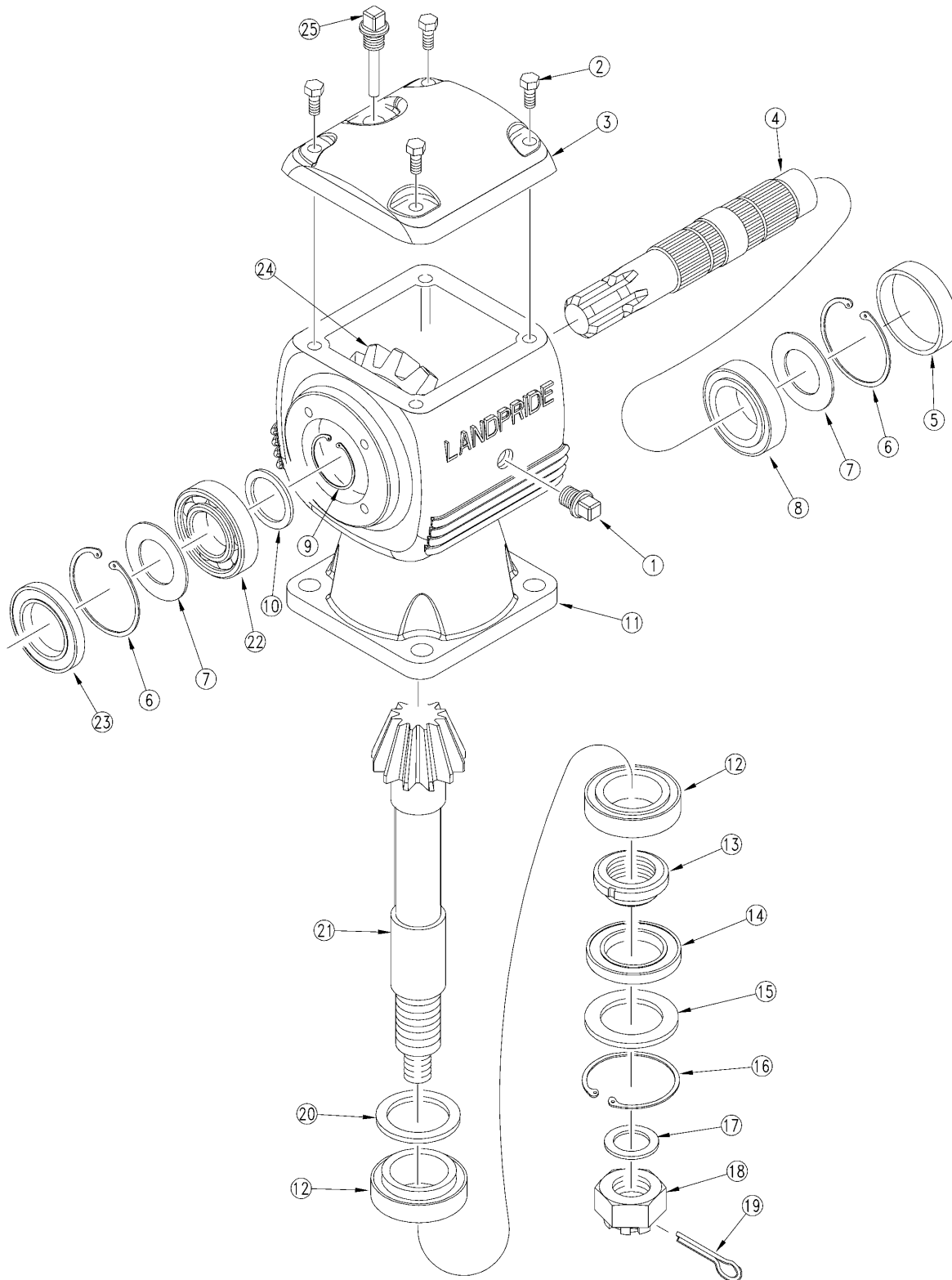
18706

Gearbox (826-296C) OMNI**Applies to FDR3590**

Ref	Part No.	Part Description	Comments	Revision
	dwg18706	Drawing Image Number		
	826-296C	RC-25 1:2.8 CW 90 BOX(RC25HR)		
1.	110192	OMNI SCREW-5/16"-18UNC X 7/8"		
2.	130006	OMNI LOCKWASHR 5/16"SPLIT TYPE		
3.	020224	OMNI CAP-INPUT		
4.	070249	OMNI GASKET-INPUT 0.50MM		
5.	070248	OMNI GASKET-INPUT 0.30MM		
6.	070247	OMNI GASKET-INPUT 0.20MM		
7.	070246	OMNI GASKET-INPUT 0.10MM		
8.	060127	OMNI SEAL-INPUT CR13930		
9.	050170	OMNI BEARING CUP 30207		
10.	050172	OMNI BEARING CONE 30207		
11.	200140	OMNI RTNG. RING 38MM RC DSH-38		
12.	040491	OMNI SHAFT INPUT 1 3/8" - 6A		
13.	200141	OMNI RTNG. RING 38MM RC DSH-38		
14.	030457	OMNI GEAR INPUT, 34T		
15.	090181	OMNI SHIM INPUT 0.30MM		
16.	090180	OMNI SHIM INPUT 0.20MM		
17.	090179	OMNI SHIM INPUT 0.10MM		
18.	110009	OMNI SCREW-1/4"-20 UNC X 3/4"		
19.	130028	OMNI LOCKWASHR 1/4" SPLIT TYPE		
20.	240280	OMNI INSPECTION COVER		
21.	010252	OMNI HOUSING RC-25 SERIES		
22.	140047	OMNI PLUG SQ.HD.1/2-14NPT W/DP		
23.	140000	OMNI PIPE PLUG 1/2' SQ HEAD		
24.	030456	OMNI PINION-OUTPUT 12T		
25.	090182	OMNI SHIM OUTPUT 0.10MM		
26.	090183	OMNI SHIM OUTPUT 0.20MM		
27.	090184	OMNI SHIM OUTPUT 0.30MM		
28.	050197	OMNI BEARING CONE 30208		
29.	050195	OMNI BEARING CUP 30208		
30.	090185	OMNI SPACER OUTPUT		
31.	090186	OMNI SHIM OUTPUT 0.10MM		
32.	090187	OMNI SHIM OUTPUT 0.20MM		
33.	090188	OMNI SHIM OUTPUT 0.30MM		
34.	200000	OMNI RETAINING RING		
35.	070250	OMNI GASKET-OUTPUT 0.10MM		
36.	070251	OMNI GASKET-OUTPUT 0.20MM		
37.	070252	OMNI GASKET-OUTPUT 0.30MM		
38.	070253	OMNI GASKET-OUTPUT 0.50MM		
39.	060128	OMNI SEAL-OUTPUT CR15822		
40.	020225	OMNI CAP-OUTPUT		
41.	120050	OMNI NUT HEX SLOTTED, 1-14UNC		
42.	100001	OMNI COTTER PIN 5 X 50		
43.	140017	OMNI PLUG PIPE SQ HD1/8-27NPTF		
44.	090341	OMNI SPACER, INPUT		

Gearbox (826-326C) Comer

Applies to FDR3590



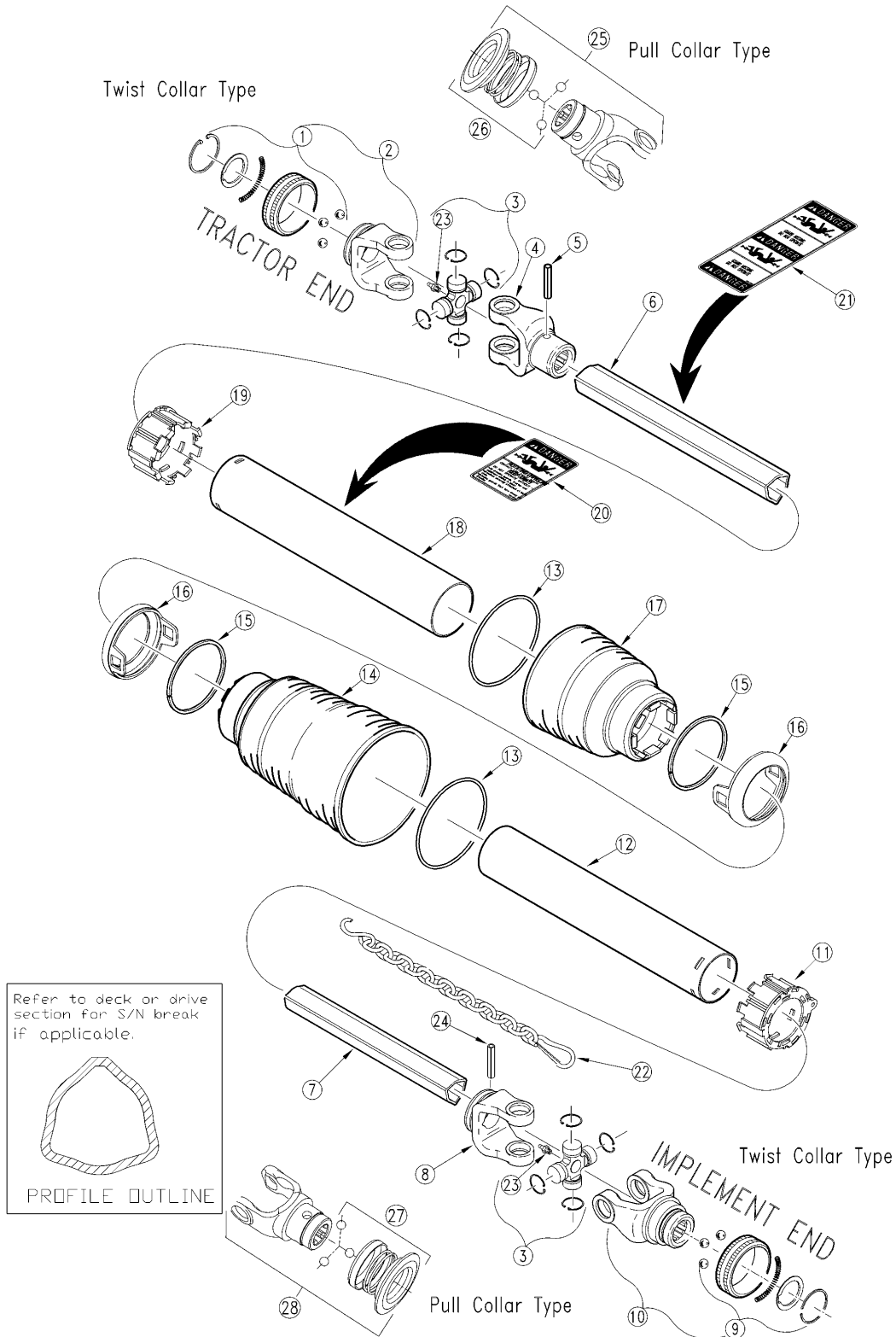
30000

Gearbox (826-326C) Comer**Applies to FDR3590**

Ref	Part No.	Part Description	Comments	Revision
	dwg30000	Drawing Image Number		
	826-326C	GBOX MOWER 50 HP 1:2.8 CW		
1.	8.6.5.00006	CO OIL PLUG 3/8		
2.	8.1.1.00501	CO BOLT M8X22 HHB		
3.	0.195.1300.00	CO COVER		
4.	0.195.2000.00	CO INPUT SHAFT 1" 3/8 Z6		
5.	8.7.0.00744	CO CAP 72 X 10		
6.	8.5.2.00131	CO SNAP RING INT 72 UN17437		
7.	A.248.500	COMER SHIM KIT 71.7		
8.	8.0.9.00026	CO ROLLER BEARING 30207 CL-B		
9.	8.5.1.00680	CO SNAP RING 40 UNI 7436		
10.	0.259.7525.00	CO SHIM 35.3 X 48 X 2.5		
11.	0.195.0300.00	CO HOUSING		
12.	8.0.9.00102	CO ROLLER BEARING 32208 CL-B		
13.	0.278.7103.00	CO NUT M40 X 1.5		
14.	8.7.3.00081	CO OIL SEAL 35 X 80 X 10 RTA35		
15.	1.195.7100.00	CO PROTECTIVE FLAT WASHER		
16.	8.5.3.00955	CO SNAP RING SB 81		
17.	8.3.2.00409	CO FLAT WASHER 25 X 44 X 4		
18.	8.2.2.01144	NUT CASTLE M 24 X 2		
19.	8.4.7.00516	CO COTTER PIN B5 X 50		
20.	A244.501	CO SHIM 40.3 X 51.5 826-067C		
21.	0.195.5000.00	CO PINION Z12 M4.7		
22.	822-166C	BEARING BALL 6207		
23.	8.7.3.00055	CO OIL SEAL 35 X 72 X 10		
24.	0.195.6000.00	CO CROWN GEAR Z33 M4.7		
25.	U0.195.7101.00	CO OIL LEVEL PLUG 3/8" GAS		

Driveline (826-213C) Eurocardan

Applies to FDR3590



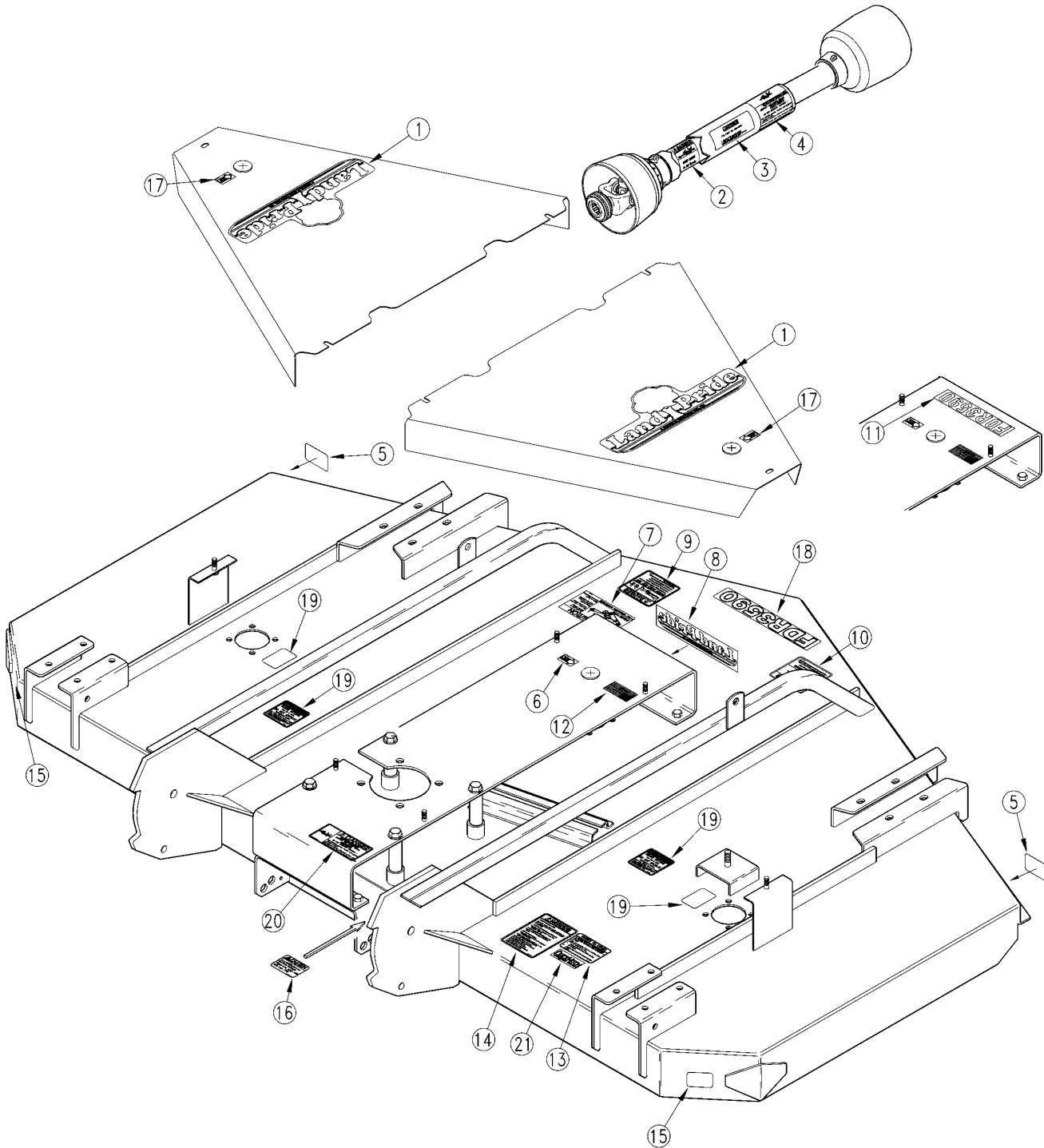
16074

Driveline (826-213C) Eurocardan**Applies to FDR3590**

Ref	Part No.	Part Description	Comments	Revision
	dwg16074	Drawing Image Number		
	826-213C	DRIVELINE CAT 4 W/O CLUTCH 33		
1.	1004220	EC TWIST COLLAR KIT (TRT. END)		
2.	1016010	EC YOKE ASSEMBLY (TRACT. END)		
3.	1006020	EC CROSS ASSEMBLY		
4.	1706027	EC OUTER TUBE YOKE		
5.	6331080	EC 10X80-DIN-1481 O/TUBE R/PIN		
6.	1528048	EC OUTER TUBE		
7.	1526048	EC INNER TUBE		
8.	1706029	EC INNER TUBE YOKE		
9.	1004224	EC TWIST COLLAR KIT (IMP. END)		
10.	1116010	EC YOKE ASSY 1 3/8-6(IMP. END)		
11.	1786711	EC TUBE BEARING (INNER TUBE)		
12.	1877038	EC INNER TUBE		
13.	1215733	EC STIFFENING RING		
14.	1885704	EC LONG CONE		
15.	1215735	EC STOP RING		
16.	1885709	EC SAFETY SLEEVE		
17.	1885703	EC STANDARD CONE		
18.	1876038	EC OUTER TUBE		
19.	1786710	EC TUBE BEARING (OUTER TUBE)		
20.	818-552C	DECAL DANGER PTO DRIVELINE		
21.	818-540C	DECAL DANGER GUARD MISS PTO		
22.	044321	DRIVELINE SHIELD SAFETY CHAIN		
23.	6560508	EC GREASE ZERK 8X1 45 DEG.		
24.	6331070	EC 10X70 ROLL PIN		
25.	1016012	YOKE ASSEMBLY PULL TYPE		
26.	1004225	EC PULL COLLAR KIT		
27.	1004225	EC PULL COLLAR KIT		
28.	1016012	YOKE ASSEMBLY PULL TYPE		

Label Placement

Applies to FDR3590



17597

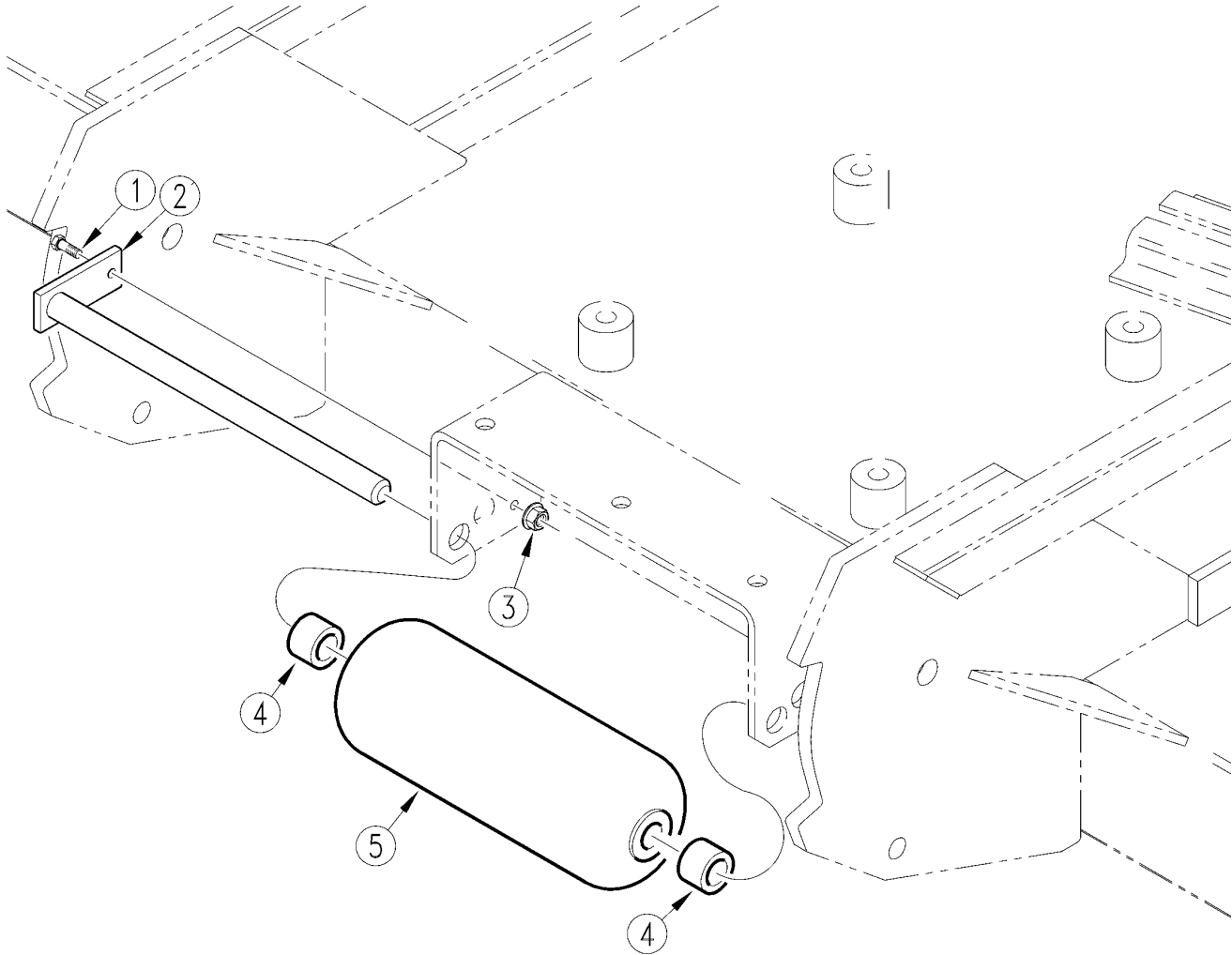
Label Placement

Applies to FDR3590

Ref	Part No.	Part Description	Comments	Revision
	dwg17597	Drawing Image Number		
1.	818-894C	DECAL LP W/TREE 16" - 3 COLOR	(S/N 254751+) Beige Unit	Rev. 2 not compat. w/Rev. 1
1.	838-964C	DECAL LP 16" W/TREE BROWN/GOLD	Orange Unit	
1.	818-165C	LP LOGO SMALL BUCKSKIN	(S/N 254750-)	Rev. 1
2.	818-540C	DECAL DANGER GUARD MISS PTO		
3.	818-783C	DECAL 826-213C DRIVELINE		
4.	818-552C	DECAL DANGER PTO DRIVELINE		
5.	818-230C	DECAL RED REFLECTOR		
6.	818-138C	DECAL GREASE EVERY 25 HOURS		
7.	818-237C	DECAL 90WT V-BELT INSTALLATION		
8.	818-897C	DECAL LANDPRIDE 10" - BROWN	(S/N 254751+) Beige Unit	Rev. 2 not compat. w/Rev. 1
8.	848-159C	DECAL LANDPRIDE 10" BROWN/GOLD	Orange Unit	
8.	818-164C	LP LOGO SMALL GREEN	(S/N 254750-)	Rev. 1
9.	818-555C	DECAL DANGER ROTATE BLADE		
10.	818-556C	DECAL DANGER THROWN OBJ CUTTER		
11.	818-784C	DECAL FDR3590-BROWN	(S/N 254750-)	
12.	818-190C	DECAL FLAG		
13.	818-558C	DECAL WARNING GEN SAFE MOWER		
14.	818-560C	DECAL NOTICE TO OWNER-NO WARRA		
15.	818-229C	DECAL AMBER REFLECTOR		
16.	818-130C	DECAL CAUTION 540 RPM		
17.	818-298C	DECAL GREASE 25HRS BLACK/WHITE)		
18.	818-911C	DECAL FDR3590-BROWN	(S/N 254751+) Beige Unit	
18.	848-240C	DECAL FDR3590-GOLD	Orange Unit	
19.	818-543C	DECAL DANGER PD GUARD MISS SML	(S/N 254751+)	
20.	818-142C	DECAL DANGER PTO DRIVELINE EN		
21.	838-517C	DECAL QUICK HITCH SYSTEM		

Anti-Scalping Front Roller

Applies to FDR3590



16570

Anti-Scalping Front Roller**Applies to FDR3590**

Ref	Part No.	Part Description	Comments	Revision
	dwg16570	Drawing Image Number		
	310-233A	FDR3590 FRONT ROLLER		
1.	802-017C	HHCS 3/8-16X1 GR5	(S/N 220347+)	Rev. 2 not compat. w/Rev. 1
1.	802-005C	HHCS 1/4-20X1 GR5	(S/N 220346-)	Rev. 1
2.	315-313H	4522 FRONT ROLLER SHAFT		
3.	803-013C	NUT LOCK 3/8-16 PLT	(S/N 220347+)	Rev. 2 not compat. w/Rev. 1
3.	804-006C	WASHER LOCK SPRING 1/4 PLT	(S/N 220346-)	Rev. 1
3.	803-006C	NUT HEX 1/4-20 PLT	(S/N 220346-)	Rev. 1
4.	310-250D	SPACER TUBE-SH. G.W.		
5.	817-049C	4 X 10 ROLLER WHEEL		



Part Number Index

The Part Number Index is a numeric index of all part numbers included in this manual. The index shows what page(s) the part is used on.

Part Number	Page	Part Number	Page	Part Number	Page	Part Number	Page
0.195.0300.00	45, 69	1003020	47	240280	35, 37, 39, 41,	310-344S	25
0.195.1300.00	45, 69	1004020	49		43, 65, 67	310-359D	59
0.195.2000.00	45, 69	1004220	47, 71	310-012D	13, 15, 55	310-375D	55
0.195.5000.00	45, 69	1004224	47, 71	310-017S	17	310-410V	31
0.195.6000.00	45, 69	1004225	47, 49, 71	310-019H	13, 15	310-410V82	31
0.259.7525.00	45, 69	1006020	71	310-020S	13, 15, 55	310-411V	31
0.278.7103.00	45, 69	1006065	49	310-024D	17, 25	310-411V82	31
010175	37, 65	1013010	47	310-049D	63	310-412V	31
010252	35, 39, 41, 43, 67	1014012	47, 49	310-090H	59	310-416V	31
020224	35, 37, 39, 41,	1016010	71	310-090H82	59	310-425D	55
	43, 65, 67	1016012	71	310-093H	63	310-454D	27
020225	35, 37, 39, 41,	110009	35, 37, 39, 41,	310-094H	63	310-456D	61
	43, 65, 67		43, 65, 67	310-095H	63	310-457D	27, 61
030456	43, 65, 67	110192	35, 37, 39, 41,	310-100S	59	310-474D	13
030457	43, 65, 67		43, 65, 67	310-105S	17, 25	310-475D	13
030458	35, 39	1113010	47	310-125H	55	310-477D	9
030459	35, 39	1116010	71	310-149H	17, 25	310-477D82	9
030460	37, 41	1140001	49	310-149H82	17	310-478D	9
030461	37, 41	1140003	49	310-221H	55	310-478D82	9
040335	37, 65	120050	31, 35, 37, 39,	310-221H82	55	310-493D	33
040491	35, 39, 41, 43, 67		41, 43, 65, 67	310-222H	53	310-494D	33
044321	47, 71	1213233	49	310-223H	59	310-496D	13
050006	35, 37, 39, 41	1215733	71	310-223H82	59	310-522D	13
050007	35, 37, 39, 41	1215735	71	310-224D	61	310-580D	43
050170	43, 65, 67	130006	35, 37, 41, 43,	310-224H	59	310-581D	43
050172	43, 65, 67		65, 67	310-224H82	59	310-582D	43
050195	43, 65, 67	130028	35, 37, 39, 41,	310-225D	61	310-605D	15
050197	43, 65, 67		43, 65, 67	310-225H	61	310-606D	15
060127	35, 37, 39, 41,	140000	37, 39, 43, 65, 67	310-227D	27, 61	310-630D	27
	43, 65, 67	140017	35, 37, 39, 41,	310-228S	61	310-632D	61
060128	35, 37, 39, 41,		43, 65, 67	310-230S	61	312-085D	13, 15, 55
	43, 65, 67	140033	35, 37, 41, 65	310-233A	75	312-609D	13, 15, 55
070246	35, 37, 39, 41,	140047	35, 37, 39, 41,	310-248D	63	312-610D	13, 15, 55
	43, 65, 67		43, 65, 67	310-248S	27	315-049D	61
070247	35, 37, 39, 41,	1523061	47	310-249D	59	315-291S	17
	43, 65, 67	1524061	47	310-249S	27	315-300H	17
070248	35, 37, 39, 41,	1526048	71	310-250D	59, 75	315-300H82	17
	43, 65, 67	1528048	71	310-250S	61	315-313H	75
070249	35, 37, 39, 41,	1703027	47	310-251D	59	315-341V	61
	43, 65, 67	1703029	47	310-252D	59	315-409H	53
070250	35, 37, 39, 41,	1706027	71	310-254S	9	315-409H82	53
	43, 65, 67	1706029	71	310-256D	63	315-515H	11
070251	35, 37, 39, 41,	172-242D	27, 61	310-258H	13	315-516S	11
	43, 65, 67	1784210	47, 49	310-258H82	13	315-562D	53
070252	35, 37, 39, 41,	1784211	47, 49	310-261S	27	315-732D	53
	43, 65, 67	1784212	47, 49	310-263S	17	315-752D	27
070253	35, 37, 39, 41,	1786710	71	310-263S82	17	315-787D	53
	43, 65, 67	1786711	71	310-265H	31	315-823D	27
090179	35, 37, 39, 41,	1872053	47	310-266H	9	315-880D	11
	43, 65, 67	1872054	49	310-267H	13	315-881D	11
090180	35, 37, 39, 41,	1873053	47	310-267H82	13	53-164	19, 57
	43, 65, 67	1873054	49	310-269S	17	53-180	57
090181	35, 37, 39, 41,	1876038	71	310-272H	31	53-182	19
	43, 65, 67	1877038	71	310-274H	13	53-189	57
090182	35, 37, 39, 41,	1884201	47, 49	310-276H	31	6330855	47
	43, 65, 67	1884202	47, 49	310-277S	17	6330860	47
090183	35, 37, 39, 41,	1884203	47, 49	310-293S	17	6331070	71
	43, 65, 67	1884205	47, 49	310-293S82	17	6331080	71
090184	35, 37, 39, 41,	1885703	71	310-300D	27	6560508	71
	43, 65, 67	1885704	71	310-304A	51	8.0.9.00026	45, 69
090185	65, 67	1885709	71	310-305A	51	8.0.9.00102	45, 69
090186	43, 65, 67	1944056N	49	310-306A	51	8.1.1.00501	45, 69
090187	43, 65, 67	1954058N	49	310-308A	51	8.2.2.01144	45, 69
090188	43, 65, 67	200000	35, 37, 39, 41,	310-309H	15	8.3.2.00409	45, 69
090189	35, 37, 39, 41		43, 65, 67	310-314S	17	8.4.7.00516	45, 69
090190	35, 37, 39, 41	200140	35, 37, 39, 41,	310-328D	17, 25	8.5.1.00680	45, 69
090341	39, 41, 43, 67		43, 65, 67	310-329D	17, 25	8.5.2.00131	45, 69
1.195.7100.00	45, 69	200141	35, 37, 39, 41,	310-331D	31, 61	8.5.3.00955	45, 69
100001	31, 35, 37, 39,		43, 65, 67	310-341H	31	8.6.5.00006	45, 69
	41, 43, 65, 67			310-343S	25	8.7.0.00744	45, 69

Table of Contents Part Number Index



Part Number Index (continued)

Part Number	Page	Part Number	Page	Part Number	Page	Part Number	Page
8.7.3.00055	45, 69	805-015C	13, 15, 55, 59	818-891C	51	95352NA	19
8.7.3.00081	45, 69	805-016C	9, 11	818-894C	73	990-109R	61
800-001C	17, 25, 27, 59, 61	805-017C	61	818-897C	73	A.248.500	45, 69
800-099C	63	805-126C	17, 25, 59	818-904C	51	A244.501	45, 69
800-157C	61	805-140C	13, 15	818-905C	51	BF-1506	19
800-193C	61	805-142C	13, 15, 55	818-906C	51	dwg10499	21
800-320C	13, 15, 55	805-143C	13, 15, 55	818-911C	73	dwg13629	19
802-005C	13, 15, 55, 75	807-050C	63	822-006C	27	dwg13631	57
802-015C	9, 11, 25	807-068C	33	822-045C	21	dwg15220	47
802-017C	75	808-075C	27	822-050C	21	dwg15929	55
802-051C	33	808-076C	31	822-096C	61	dwg15930	53
802-053C	33	808-106C	61	822-161C	27	dwg15931	59
802-083C	31	808-107C	61, 63	822-162C	61	dwg15932	63
802-091C	53, 59	808-126C	31	822-166C	35, 37, 39, 41, 45, 69	dwg15933	61
802-095C	17	808-127C	27			dwg15934	65
802-100C	53	808-129C	27, 28, 33	822-188C	35, 37, 39, 41	dwg16020	35, 37
802-151C	27	808-231C	61	826-203C	31, 35	dwg16074	71
802-203C	31, 53	808-268C	61	826-204C	31, 37	dwg16570	75
802-207C	55	808-333C	31	826-206C	61, 65	dwg17367	17
802-229C	27, 61	808-335C	31	826-213C	61, 71	dwg17370	7
802-242C	13, 15, 55	808-337C	61	826-273C	27, 47	dwg17470	13
802-246C	31, 55, 61	814-070C	57, 59	826-293C	39	dwg17471	33
802-281C	61	814-071C	17, 19, 25	826-294C	31, 41	dwg17472	27
802-305C	59	814-114C	57, 59	826-296C	67	dwg17473	51
802-306C	63	814-144C	17, 21	826-311C	31, 43	dwg17597	73
802-307C	13, 15, 55	814-146C	17, 23	826-325C	31	dwg17713	9
802-320C	61	814-188C	17, 23, 25	826-326C	31, 45, 61, 69	dwg17714	23
802-321C	55	814-191C	17, 21	826-326C82	31	dwg18705	39, 41
802-329C	27, 61	814-193C	57, 59	826-410C	27, 49	dwg18706	67
802-350C	17, 25	814-271C	17, 21	827-001C	17, 25	dwg19267	15
802-384C	27	814-272C	57, 59	827-002C	17, 25	dwg19268	25
802-567C	63	816-004C	53	838-063C	51	dwg19602	43
802-656C	25	816-064C	27	838-116C	51	dwg20212	31
802-657C	13, 15	816-101C	61	838-270C	51	dwg20563	11
802-658C	17	816-116C	27	838-302C	51	dwg21269	49
802-668C	33	816-142C	27	838-517C	51, 73	dwg30000	45, 69
802-695C	27	816-298C	7, 31, 53	838-962C	51	GS-3	21
802-698C	61	816-308C	27	838-963C	51	HSS-34	21
803-006C	75	816-311C	27	838-964C	73	RT-3414	19
803-013C	75	816-504C	13, 15, 55	848-159C	73	U0.195.7101.00	45, 69
803-014C	33, 63	817-048C	17, 25	848-160C	51		
803-018C	17, 25, 28, 59, 61	817-049C	9, 75	848-240C	73		
803-020C	53	817-082C	11	848-241C	51		
803-022C	13, 15, 31, 55, 61, 63	817-259C	53	87040	19, 23		
803-024C	63	817-357C	7	87410	23		
803-025C	17	817-358C	7	87413	19		
803-037C	17, 25, 31, 53	817-371C	7	890-171C	27		
803-095C	61	817-378C	7	890-172C	27		
803-114C	27, 55, 61	817-379C	7	890-200C	27		
803-115C	27, 61	817-441C	7	890-202C	59		
803-198C	9, 11, 25	817-442C	7	890-204C	27		
803-231C	53	818-130C	51, 73	890-205C	61		
803-255C	13, 15, 55	818-138C	51, 73	890-219C	27		
803-263C	13, 15, 33	818-142C	51, 73	890-223C	61		
803-308C	17, 28, 61	818-164C	73	890-318C	27		
804-006C	75	818-165C	73	890-323C	27		
804-007C	13, 15, 55	818-190C	51, 73	890-325C	27		
804-009C	39	818-229C	73	890-375C	27		
804-014C	27, 61	818-230C	51, 73	890-533C	61		
804-015C	17, 25, 28, 53, 59, 61	818-237C	73	890-641C	33		
804-016C	53, 59	818-298C	51, 73	890-653C	27		
804-019C	33	818-540C	47, 51, 71, 73	890-654C	27		
804-021C	11, 53	818-543C	51, 73	890-675C	27		
804-022C	13, 15, 31, 53, 55, 61, 63	818-552C	47, 51, 71, 73	890-684C	27		
804-025C	9	818-555C	51, 73	890-685C	27		
804-029C	61	818-556C	51, 73	890-698C	27		
804-093C	27, 61	818-558C	51, 73	890-700C	27		
804-110C	27	818-560C	51, 73	890-702C	27		
		818-783C	61, 73	890-704C	61		
		818-784C	73	890-706C	27		
		818-890C	51	95316	19		



Great Plains Manufacturing, Inc.

Corporate Office: P.O. Box 5060
Salina, Kansas 67402-5060 USA

www.landpride.com

Free Manuals Download Website

<http://myh66.com>

<http://usermanuals.us>

<http://www.somanuals.com>

<http://www.4manuals.cc>

<http://www.manual-lib.com>

<http://www.404manual.com>

<http://www.luxmanual.com>

<http://aubethermostatmanual.com>

Golf course search by state

<http://golfingnear.com>

Email search by domain

<http://emailbydomain.com>

Auto manuals search

<http://auto.somanuals.com>

TV manuals search

<http://tv.somanuals.com>