

Lift Motor, Snow Blade Assembly Instructions



Treker NT & ST TrekerSeries

Manual No. 701-149M

Before You Start



When you see this symbol, the subsequent instructions and warnings are serious - follow without exception. Your life and the lives of others depend on it!

IMPORTANT: Before you begin, read these instructions and check to be sure all parts and tools are accounted for. Please retain these installation instructions for future reference and parts ordering information.

Your Lift Motor, Snow Blade is exclusively designed for your Land Pride NT & ST Treker. Please read these installation instructions and your NT & ST Treker Operator's Manual thoroughly before beginning. Especially read information relating to safety concerns. Also included in the Operator's Manual is important information on operation, adjustment, troubleshooting, and maintenance for this attachment (some manual sections do not apply to all accessories).

General Information

These assembly instructions apply to the following Lift Motor, Snow Blade Accessories listed below:

701-069A Lift Motor, Snow Blade

Further Assistance

Your dealer wants you to be satisfied with your new Lift Motor, Snow Blade. If for any reason you do not understand any part of this manual or are not satisfied with the service received, the following actions are suggested:

1. Discuss the matter with your dealership service manager making sure he is aware of any problems you may have and that he has had the opportunity to assist you.
2. If you are still not satisfied, seek out the owner or general manager of the dealership, explain the problem and request assistance.
3. For further assistance write to:

Land Pride Service Department
1525 East North Street
P.O. Box 5060
Salina, Ks. 67402-5060

E-mail address
lpservicedept@landpride.com

THANK YOU FOR YOUR PURCHASE OF OUR SNOW PLOW

ENCLOSED IN THIS KIT IS THE UNIVERSAL ELECTRIC LIFT HARDWARE 701-069A

TO HAVE A COMPLETE PLOW ASSEMBLY, YOU MUST HAVE AT LEAST FOUR BOXES:

1. MODEL SPECIFIC ATTACHING HARDWARE KIT. TO ATTACH UNIVERSAL PUSH TUBE TO MACHINE.
2. UNIVERSAL PUSH TUBE
3. BLADE OF YOUR CHOICE (COLOR, STYLE, & SIZE)
4. YOUR CHOICE OF BLADE LIFT METHODS,

A. ELECTRIC BLADE LIFT

B. USE YOUR WINCH TO RAISE AND LOWER YOUR BLADE.

OPERATING INSTRUCTIONS READ BEFORE OPERATING

CUSTOMER MUST RECEIVE COPY OF OPERATING INSTRUCTIONS AT TIME OF SALE.



DANGER

Exercise EXTREME CAUTION when plowing and always at a slow speed.



WARNING

TO AVOID SERIOUS INJURY OR DEATH:

1. DO NOT EXCEED 5 MPH WITH BLADE INSTALLED.
2. OPERATE WITH EXTREME CAUTION ON SLOPES, STEEP GRADES AND ROUGH TERRAIN.
3. KEEP AWAY FROM BLADE AND MOVING PARTS DURING OPERATION.
4. WHEN PLOWING SNOW OR DIRT INTO A PILE START BACKING UP BEFORE RAISING THE BLADE.
5. DO NOT RAM THE BLADE INTO THE PILE. ** SLOW DOWN BEFORE HITTING PILE. **
6. BE AWARE OF POSSIBLE HIDDEN OBJECTS UNDER SNOW.

Assembly Instructions



CAUTION

TO AVOID PERSONAL OR OTHER INJURY:

1. READ BLADE OWNER'S MANUAL, MACHINE'S OPERATOR'S MANUAL, AND SAFETY DECALS BEFORE OPERATING.
2. WEAR HEAD PROTECTION, SAFETY GLASSES, AND SHOES AS RECOMMENDED IN ATV OPERATOR'S MANUAL.
3. ALLOW NO RIDERS ON BLADE OR MACHINE WHILE MOVING OR STATIONARY.
4. KEEP BYSTANDERS AWAY FROM BLADE AND ATV WHILE MOVING OR STATIONARY.
5. BEFORE ADJUSTING BLADE ANGLE, STOP THE MACHINE'S ENGINE, SET AND LOCK BRAKES, RAISE BLADE. DO NOT ATTEMPT TO RAISE BLADE BY HAND; USE THE LIFT ONLY.
6. BEFORE ADJUSTING BLADE HEIGHT: LOWER BLADE TO THE DOWN POSITION.
7. WHEN BLADE IS NOT IN USE, STOP THE MACHINE'S ENGINE, SET AND LOCK BRAKES, AND LOWER BLADE TO DOWN

!!! OPERATION!!!

** Your blade and hardware were designed with your safety in mind. In order to protect you and your machine, certain parts of the blade and / or hardware are designed to fail when the equipment is over stressed. For this reason Push Tubes, Blade Hinges, Push Plate Attaching Pins and Clevis Pins are not covered by Warranty.

* Blade angle is adjustable. Raise blade. To move the blade left, right or straight, pull the Blade Position Lever ahead and turn the blade to the desired position. The Lever will spring back when the blade is at the correct angle.

* The blade skids are adjustable so the blade can be lowered but still held a certain distance off the ground.

* The blade is designed to trip when it strikes an object or digs in too far. When pressure is released the blade springs back into position. Blade spring tension may be set stiffer by tightening the Locknuts on the bottom of the Eyebolts. For less spring tension, loosen the Locknuts.

* Do not exceed 5 MPH with blade installed.

* Operate with extreme caution on slopes, steep grades and rough terrain.

* Keep away from blade and moving parts during operation.



WARNING

! Due to reduced ground clearance, remove plow Mount Brackets before trail riding.

! Do not exceed 5 MPH with the blade or its brackets

installed

OPERATION TIPS

When plowing snow or dirt into a pile, back away from the pile before attempting to raise the blade

! For best results set the suspension to the stiffest setting if possible

! The Blade is shipped with the Blade Skids mounted upside down for boxing. Be sure to mount the Skids properly before using your blade.

MAINTENANCE

! Periodically check for wear and tightness of all bolts, nuts and fasteners. Replace or tighten as necessary.

NOTICE

! The use of Blade Lift Kits Not Manufactured by Land Pride with Work Power Blades will void all warranties.

! The Land Pride Blade Lift Kits are specifically designed to help prevent damage to the Blades, Lift Kits and the machine.

! PREPARATION:

Using the Parts List and Parts Drawing included, verify that you have received all the components of the 701-069A Electric Lift Kit.

NOTE: The MACHINE needs to be on a level surface.

All directions referring to the right and the left are when the operator is sitting on the machine.

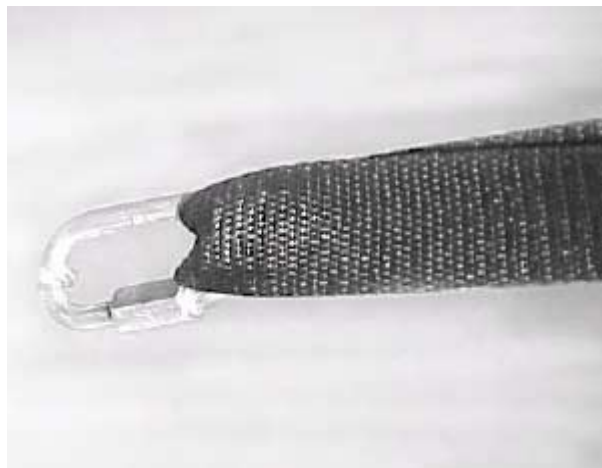
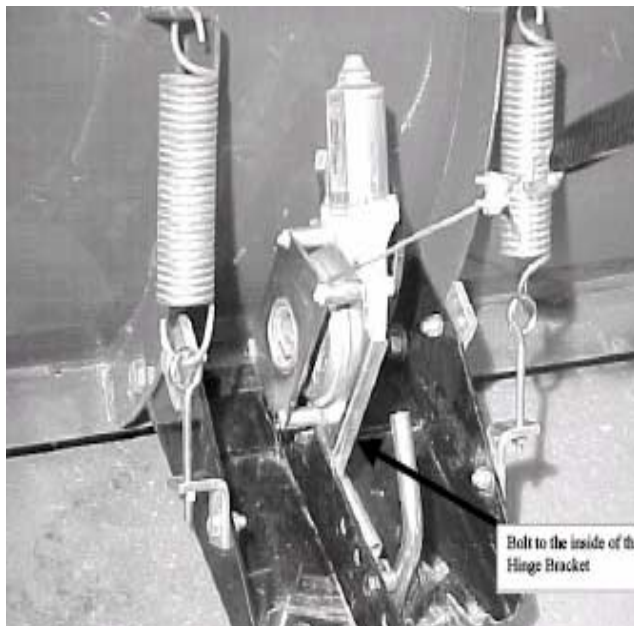
Numbers in parenthesis refer to item numbers on the parts list and parts drawing at the end of the instructions

Assembly Instructions

A detailed listing of parts for this accessory kit is provided on page 6. Use the list as a checklist to inventory parts received. Please contact your local Land Pride dealer for any missing hardware.

Using the two 3/8" x 1" bolts (#12) and Nylock Nuts supplied, securely fasten the Electric Lift Assembly to the U608 Blade Position Lever Bracket as shown below.

Assembly Instructions

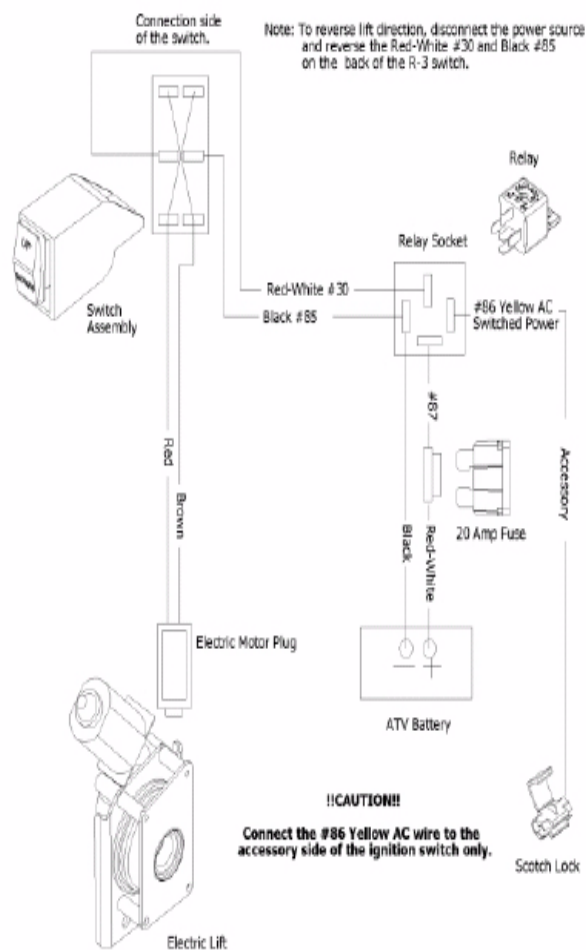


Attach the Lift Strap (#6) to the front of the machine. The Strap needs to be secured to the machine in such a manner that it will support the Blade and be as close to straight above the Cable Spool of the Electric Lift as possible. Have the end of the Lift Strap (#6) be roughly 20" above the ground.

Attach the 3/16" Quick Link (#8) to the end of the Lift Strap as shown. Do not attach the cable at this time.

Assembly Instructions

Electric Lift Wiring Harness



Route the Red and Black wires to the battery.

These wires must be well clear of any moving parts on the machine

Do not allow the wires to come in contact with any hot parts of the machine, such as the exhaust or cylinder head.

Secure the ring terminal on the black wire to the battery negative post.

Install the ring terminal on the red-white wire to the positive battery terminal.

Route the red and brown leads of the Wiring Harness (#27) to the front of the machine and connect to the lift motor plug.

These wires must be well clear of any moving parts of the machine

Do not allow the wires to come in contact with any hot parts on the machine such as the exhaust or cylinder head

Allow plenty of slack for vertical movement of the plow between the tie point on the machine and the electric lift motor.

Plug the Relay (#13) into the relay socket on the Wiring Harness (#12).

With a 12-volt test light or meter locate a wire that is only hot when the ignition switch is in the "on" position.

Use the blue scotch lock (#22) tap connector to connect the yellow wire from the electronic module to this wire.

Note: Failure to connect the yellow wire to a wire that is energized only when the ignition switch is in the "on" position, will discharge the battery.

Check your electrical connections and make sure there

Switch Installations

Choose a place for the switch assembly that is free from obstructions and does not interfere with the normal functions of the machine.

Method One:

Place the 13/16 Vinyl Coated Cable Clamp (#16) around machine's front rack and secure using one 10-3/4" Pan

head Bolt (#19), #10 Star Washer (#17), 5mm Flat Washer (#18), 10-24 Nylock Nut.

Method Two:

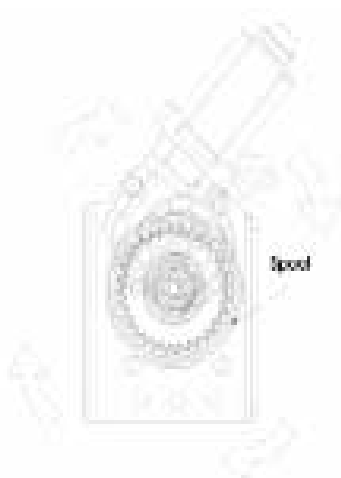
This method you will not use the Switch Housing (#14). Locate a convenient place on the dash to mount the switch. Cut a rectangular hole 7/8" x 1". Press the switch into the rectangular hole. See picture below.

Assembly Instructions

is a fuse in the fuse holder. Turn the key switch to the on position and test run the lift motor by pressing the up button on the handlebar switch.

Verify that pressing the up button on the handle bar switch causes clockwise rotation of the spool when viewed from the open end. (See illustration below). If the spool rotates counterclockwise, see the note on the electric lift

wiring harness diagram on the previous page. The spool should now rotate in the clockwise direction when pressing the top button.



Run the spool in the direction necessary to end up with one wrap of cable on the spool and the cable to the front side of the spool.

With the blade resting on the ground, route the end of the cable up through the quick link (#8) in the lift strap (#6), and secure it with the Cable Clamp (#7).

NOTE: If the Blade is raised too high, the Push Tube will contact the ATV frame and put an excessive load on the Gear Motor and other parts. Failure of the fuse may result. Stop the blade at a point before this contact occurs.

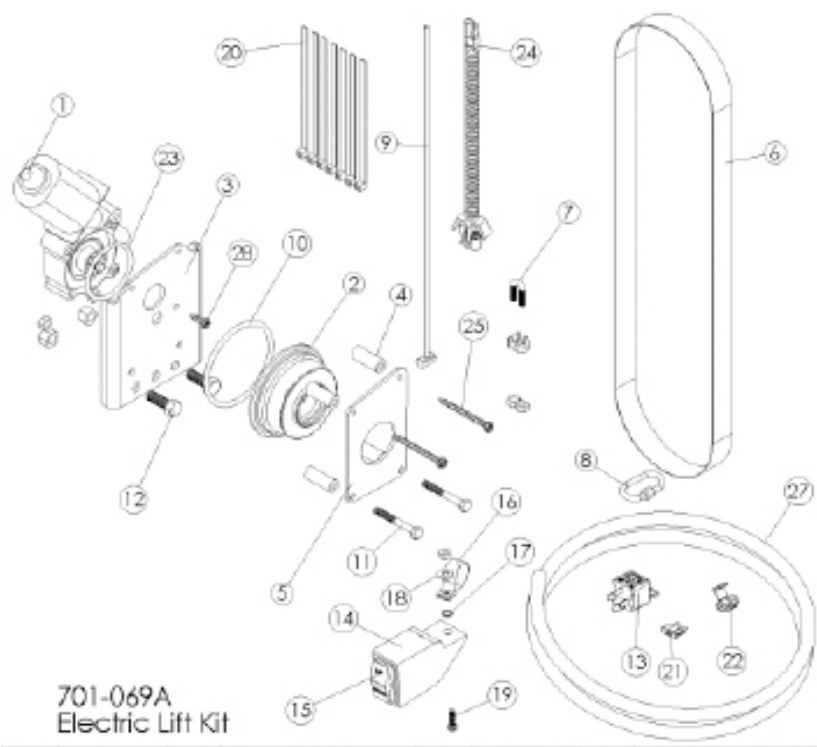
ALSO: Be aware that if the switch is held in the "DOWN" position after the Blade has contacted the ground, the cable will start to wind up backwards on the Spool.

A drop of oil on each end of the spool will keep the spool lubricated. Do this periodically

Listing of Parts

Kit No. 701-069A ELECTRIC LIFT KIT

Item	Part No.	Part Description	Qty
1	EL100B	GEAR MOTOR	1
2	EL120	GEAR PULLEY	1
3	EL121A	MOTOR MOUNT PLATE	1
4	EL113	1 1/4" SPACER	4
5	EL122A	BRG PLATE	1
6	PUR1481	LIFT STRAP	1
7	CC18	1/8" CABLE CLAMP	1
8	U605	3/16" QUICK LINK	1
9	EL123	36" CABLE	1
10	EL124	O-RING	1
11	802-152C	HHCS 1/4-20X2 GR5	2
12	802-017C	HHCS 3/8-16X1 GR5	2
13	ELRELAY	RELAY	1
14	WNRSHOUSING	SWITCH HOUSING	1
15	WNRSWITCH-3	R-3 SWITCH	1
16	CVC1316	13/16" CABLE CLAMP	1
17	SW10	#10 STAR WASHER	1
18	FW5MM	5 MM FLAT WASHER	1
19	801-021C	SCREW RD HD 10-24 X 3/4 PLT	1
20	800-112C	CABLE TIE .19X7.25 1.75D 50LB	1
21	839-288C	20 AMP FUSE (5 PACK)	1
22	SCOTCHLOCK	SCOTCH LOCK	1
23	EL136	O-RING	1
24	EL119	ELECTRIC LIFT PIG TAIL	1
25	STS10-212	#10 2-1/2" SELF TAPPING SCREW	2
27	EL137	WIRING HARNESS	1
28	801-172C	SCREW HEX	1



Free Manuals Download Website

<http://myh66.com>

<http://usermanuals.us>

<http://www.somanuals.com>

<http://www.4manuals.cc>

<http://www.manual-lib.com>

<http://www.404manual.com>

<http://www.luxmanual.com>

<http://aubethermostatmanual.com>

Golf course search by state

<http://golfingnear.com>

Email search by domain

<http://emailbydomain.com>

Auto manuals search

<http://auto.somanuals.com>

TV manuals search

<http://tv.somanuals.com>