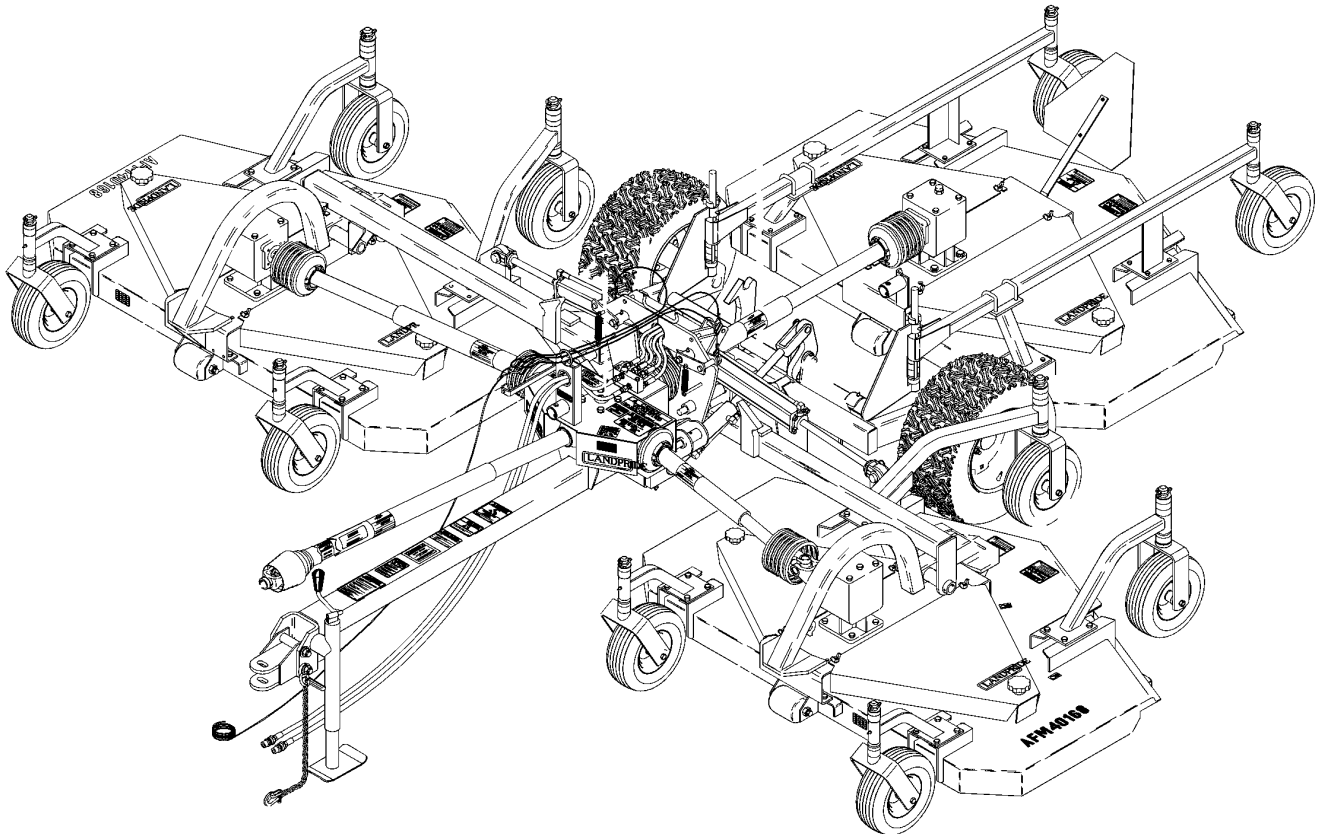


# All-Flex Mowers

## AFM4014 & AFM40168



12718

### 315-471P Parts Manual



Read the Operator's manual entirely. When you see this symbol, the subsequent instructions and warnings are serious - follow without exception. Your life and the lives of others depend on it!

© Copyright 2009 Printed 01/14/09

Cover photo may show optional equipment not supplied with standard unit.





# Table of Contents

<b>Section 1: Introduction.....</b>	<b>4</b>	Gauge Wheel Left & Right Hand (S/N 231295+).....	68
Using This Manual.....	4	Gauge Wheels 814-070C and 814-114C (S/N 231294-)..	72
Manual Replacement Information.....	4	<b>Section 6: Gear Boxes.....</b>	<b>74</b>
Manual Revisions.....	4	Gearbox 4-Way Splitter (826-141C) (S/N 242926-).....	74
Touch-up Paint.....	4	Gearbox 4-Way Splitter (826-097C) Comer (S/N 242927 to	
Hardware Legend.....	5	272759).....	76
Replacement Hardware.....	5	Gearbox 4-Way Splitter (826-274C) OMNI (S/N	
Serial Numbers.....	5	272760+).....	78
Part Number Service Coding.....	5	Gearbox Center & Right Deck (826-122C) (S/N	
<b>Section 2: Frame.....</b>	<b>6</b>	211886-).....	80
Center Deck Pivot.....	6	Gearbox Center & Right Deck (826-122C) Comer (S/N	
Frame.....	8	211886-).....	82
Pull Latch Cord Lock-Up.....	10	Gearbox Center & Right Deck (826-205C) OMNI (S/N 211887	
Right Hand and Left Hand Deck Pivot.....	12	to 368117).....	84
Transport Frame Tire and Hub (814-100C; 815-052C).....	14	Gearbox Center & Right Deck (826-295C) OMNI (S/N 211887	
<b>Section 3: Drivelines.....</b>	<b>16</b>	to 368117).....	86
Driveline Arrangement.....	16	Gearbox Center & Right Deck (826-327C) Comer (S/N	
Driveline Center Deck (826-064C) Eurocardan.....	18	368118 +).....	88
Driveline Center Deck (826-064C) Walterscheid.....	20	Gearbox Left Deck (826-121C) Comer (S/N 211886-).....	90
Driveline Center Deck (826-371C) Eurocardan.....	22	Gearbox Left Deck (826-121C) ITG (S/N 211886-).....	92
Driveline Center Deck W/Clutch (826-111C)		Gearbox Left Deck (826-206C) OMNI (S/N 211887 to	
Walterscheid.....	24	368117).....	94
Driveline CV (826-143C) Walterscheid.....	26	Gearbox Left Deck (826-326C) Comer (S/N 368118+).....	96
Driveline CV W/ Clutch (826-370C) Eurocardan.....	28	<b>Section 7: Hydraulics.....</b>	<b>98</b>
Driveline Left & Right Hand Deck (826-145C)		Hydraulic Arrangement.....	98
Eurocardan.....	30	Hydraulic Cylinder (810-005C).....	100
Driveline Left & Right Hand Deck (826-145C)		Hydraulic Cylinder (810-150C) Cross.....	102
Walterscheid.....	32	Hydraulic Cylinder (810-150C) Midway.....	104
Driveline Left & Right Hand Deck (826-374C)		Hydraulic Cylinder (810-150C) Red Lion.....	106
Eurocardan.....	34	Hydraulic Cylinder (810-200C) Midway.....	108
Driveline Left & Right Hand Deck W/Clutch (826-144C)		Hydraulic Cylinder (810-200C) Red Lion.....	110
Walterscheid.....	36	<b>Section 8: Labels.....</b>	<b>112</b>
Driveline Slip Clutch (053314) Walterscheid.....	38	Label Placement.....	112
Driveline Slip Clutch (1466305) Eurocardan.....	40	Safety Label Placement.....	114
Driveline Slip Clutch (1466607) Eurocardan.....	42	<b>Part Number Index.....</b>	<b>116</b>
<b>Section 4: Decks.....</b>	<b>44</b>		
Belt Drive Center and Right Hand Deck (S/N 212180-).....	44		
Belt Drive Center and Right Hand Deck (S/N 212181+).....	46		
Belt Drive Left Hand Deck (S/N 212180-).....	48		
Belt Drive Left Hand Deck (S/N 212181+).....	50		
Belt Take-Up Handle.....	52		
Channel Center Deck.....	54		
Channel Left Hand Deck.....	56		
Channel Right Hand Deck.....	58		
Deck and Roller.....	60		
<b>Section 5: Gauge Wheels.....</b>	<b>62</b>		
Gauge Wheel Center Deck (S/N 231294-).....	62		
Gauge Wheel Center Deck (S/N 231295+).....	64		
Gauge Wheel Left & Right Hand (S/N 231294-).....	66		

© Copyright 2009. All rights reserved.

Land Pride provides this publication "as is" without warranty of any kind, either expressed or implied. While every precaution has been taken in the preparation of this manual, Land Pride assumes no responsibility for errors or omissions. Neither is any liability assumed for damages resulting from the use of the information contained herein. Land Pride reserves the right to revise and improve its products as it sees fit. This publication describes the state of this product at the time of its publication, and may not reflect the product in the future. The illustrations in this manual are not intended for safe and proper assembly or disassembly of equipment. The illustrations are intended for ordering parts only.

Land Pride is registered trademark.

All other brands and product names are trademarks or registered trademarks of their respective holders.

Printed in the United States of America.



# Alphabetized Table of Contents

<b>B</b>	Belt Drive Center and Right Hand Deck (S/N 212180-).....44	Gearbox Center & Right Deck (826-205C) OMNI (S/N 211887 to 368117).....84
	Belt Drive Center and Right Hand Deck (S/N 212181+).....46	Gearbox Center & Right Deck (826-295C) OMNI (S/N 211887 to 368117).....86
	Belt Drive Left Hand Deck (S/N 212180-).....48	Gearbox Center & Right Deck (826-327C) Comer (S/N 368118 +).....88
	Belt Drive Left Hand Deck (S/N 212181+).....50	Gearbox Left Deck (826-121C) Comer (S/N 211886-)..90
	Belt Take-Up Handle.....52	Gearbox Left Deck (826-121C) ITG (S/N 211886-).....92
<b>C</b>	Center Deck Pivot.....6	Gearbox Left Deck (826-206C) OMNI (S/N 211887 to 368117).....94
	Channel Center Deck.....54	Gearbox Left Deck (826-326C) Comer (S/N 368118+).....96
	Channel Left Hand Deck.....56	
	Channel Right Hand Deck.....58	<b>H</b>
<b>D</b>	Deck and Roller.....60	Hydraulic Arrangement.....98
	Driveline Arrangement.....16	Hydraulic Cylinder (810-005C).....100
	Driveline Center Deck (826-064C) Eurocardan.....18	Hydraulic Cylinder (810-150C) Cross.....102
	Driveline Center Deck (826-064C) Walterscheid.....20	Hydraulic Cylinder (810-150C) Midway.....104
	Driveline Center Deck (826-371C) Eurocardan.....22	Hydraulic Cylinder (810-150C) Red Lion.....106
	Driveline Center Deck W/Clutch (826-111C) Walterscheid.....24	Hydraulic Cylinder (810-200C) Midway.....108
	Driveline CV (826-143C) Walterscheid.....26	Hydraulic Cylinder (810-200C) Red Lion.....110
	Driveline CV W/ Clutch (826-370C) Eurocardan.....28	
	Driveline Left & Right Hand Deck (826-145C) Eurocardan.....30	<b>L</b>
	Driveline Left & Right Hand Deck (826-145C) Walterscheid.....32	Label Placement.....112
	Driveline Left & Right Hand Deck (826-374C) Eurocardan.....34	
	Driveline Left & Right Hand Deck W/Clutch (826-144C) Walterscheid.....36	<b>P</b>
	Driveline Slip Clutch (053314) Walterscheid.....38	Pull Latch Cord Lock-Up.....10
	Driveline Slip Clutch (1466305) Eurocardan.....40	
	Driveline Slip Clutch (1466607) Eurocardan.....42	<b>R</b>
<b>F</b>	Frame.....8	Right Hand and Left Hand Deck Pivot.....12
<b>G</b>	Gauge Wheel Center Deck (S/N 231294-).....62	
	Gauge Wheel Center Deck (S/N 231295+).....64	<b>S</b>
	Gauge Wheel Left & Right Hand (S/N 231294-).....66	Safety Label Placement.....114
	Gauge Wheel Left & Right Hand (S/N 231295+).....68	
	Gauge Wheels 814-070C and 814-114C) (S/N 231294-).....72	<b>T</b>
	Gearbox 4-Way Splitter (826-141C) (S/N 242926-).....74	Transport Frame Tire and Hub (814-100C; 815-052C).....14
	Gearbox 4-Way Splitter (826-097C) Comer (S/N 242927 to 272759).....76	
	Gearbox 4-Way Splitter (826-274C) OMNI (S/N 272760+).....78	
	Gearbox Center & Right Deck (826-122C) (S/N 211886-).....80	
	Gearbox Center & Right Deck (826-122C) Comer (S/N 211886-).....82	

# General Information

## Using This Manual

This manual is divided into sections. The first section contains General Information. The remaining sections divide the machine into segments (i.e. Frames, Drives, Hydraulics, etc.) which illustrate and list all parts. A Parts Number Index is located at the back of the book.

The Land Pride parts in this manual are specially designed for this machine and should be replaced with Land Pride parts only.

The information in this manual is current at time of printing. Some parts may change to assure top performance.

Right-hand and left-hand as used in this manual are determined by facing the direction the machine will travel while in use.

Below is an example of two facing pages from a parts manual. Familiarize yourself with the type of information contained on these pages.

## Manual Replacement Information

Replacement manuals are available. Refer to our website at [www.landpride.com](http://www.landpride.com) or e-mail us at [lit@landpride.com](mailto:lit@landpride.com) for additional information. Our website continues to provide the most up-to-date manuals available.

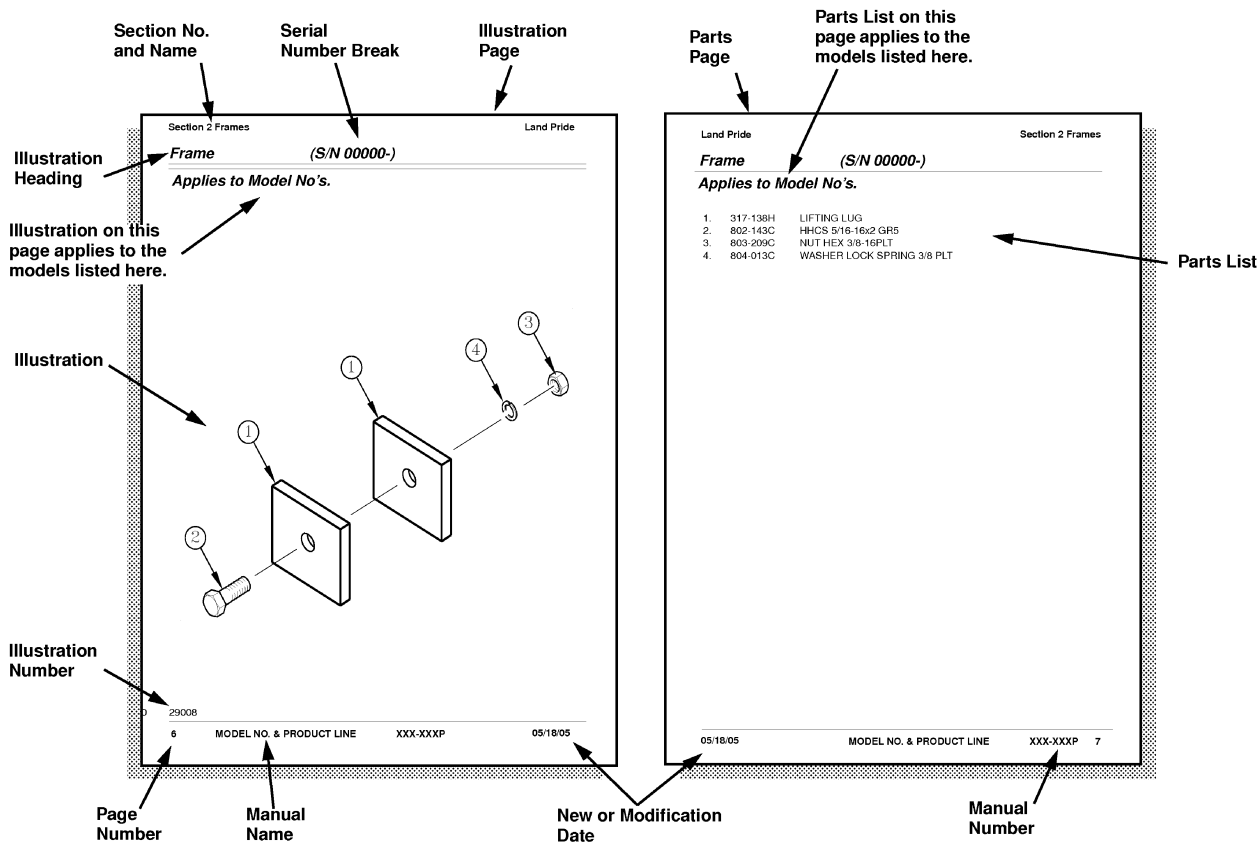
## Touch-up Paint

Repaint parts where paint is worn or scratched to prevent rust. Aerosol cans and touch-up bottles with brush applicator are available through your local dealer. Land Pride color descriptions and part numbers are listed below. Also available are quart and gallon size paints. Add QT or GL to end of the Aerosol P/N.

Color	Product <sup>1</sup>	Aerosol	Touch-Up
Gloss Black	LP	821-032C	821-032CTU
Medium Gloss Black	UV	821-053C	821-053CTU
Beige	LP	821-011C	821-011CTU
Green	SLP	821-058C	821-058CTU
Orange	SLP	821-066C	821-066CTU
Red	SLP/UV	821-054C	821-054CTU
Blue	SLP/UV	821-067C	821-067CTU
Dark Green Sparkle	UV	821-055C	821-055CTU
Gondo Forest Green	UV	821-057C	821-057CTU
Brite Yellow <sup>2</sup>	UV	821-056C	821-056CTU
Gondo Yellow <sup>3</sup>	UV	821-059C	821-059CTU

Notes:

- LP = All Land Pride Products except Utility Vehicles  
SLP = Select Land Pride Products that are available in optional Green, Orange, Red, & Blue colors.  
UV = Utility Vehicles
- Used on Trekkers and (Runabouts with S/N 407628-)
- Used on Gondos and (Runabouts with S/N 407629+)



## General Information

### Hardware Legend

<b>AR</b>	As Required
<b>BLADE</b>	Blade Bolt
<b>C</b>	Cap Screw
<b>CP</b>	Cotter Pin
<b>CPHSSS</b>	Cup Point Hex Socket Set Screw
<b>CPSHSS</b>	Cup Point Square Head Set Screw
<b>CPSQHSS</b>	Cup Point Square Head Set Screw
<b>CRFCHMS3</b>	Cross Recess Flat Countersunk Head Machine Screw
<b>CRPHMS</b>	Cross Recess Pan Head Machine Screw
<b>CRPHTF</b>	Cross Recess Pan Head Thread Forming
<b>CRRHMS</b>	Cross Recess Round Head Machine Screw
<b>CRTHMS</b>	Cross Recess Truss Head Machine Screw
<b>CSNB</b>	Countersunk Square Neck Bolt
<b>FHMS</b>	Flat Head Machine Screw
<b>FTC</b>	Full Thread Cap Screw
<b>H</b>	Hex Nut
<b>HCLN</b>	Hex Center Lock Nut
<b>HFLCS</b>	Hex Flange Lock Cap Screw
<b>HFS</b>	Hex Flange Screw
<b>HFSLN</b>	Hex Flange Serrated Lock Nut
<b>HFSS</b>	Hex Flange Serrated Screw
<b>HHCS</b>	Hex Head Cap Screw or Metric Bolt
<b>HSBHCS</b>	Hex Socket Button Head Cap Screw
<b>HSFCHCS</b>	Hex Socket Flat Countersunk Head Cap Screw
<b>HSHCS</b>	Hex Socket Head Cap Screw
<b>HSSS</b>	Hex Socket Head Screw
<b>HTLN</b>	Hex Top Lock Nut
<b>HWHCS</b>	Hex Washer Head Cap Screw

<b>HWHMS</b>	Hex Washer Head Machine Screw
<b>HXBHCS</b>	Hex Socket Button Head Cap Screw
<b>J</b>	Hex Jam Nut
<b>JIC</b>	37 Degree Tapered Thread
<b>L</b>	Helical Spring Lock Washer
<b>LUG</b>	Lug Bolt
<b>NFC</b>	National Fine Cap Screw
<b>NPSM</b>	National Pipe Straight Mechanical
<b>NPTF</b>	National Pipe Taper Fuel
<b>P</b>	Wide Plain Washer
<b>PHMS</b>	Pan Head Machine Screw
<b>PLOW</b>	Plow Bolt
<b>RHMS</b>	Round Head Machine Screw
<b>RHSNB</b>	Round Head Square Neck Bolt
<b>SCREW LEVELING</b>	Leveling Screw
<b>SCREW THUMB</b>	Thumb Screw
<b>SCREW WELD</b>	Weld Screw
<b>SFCHMS</b>	Slotted Flat Countersunk Head Machine Screw
<b>SFHMS</b>	Slotted Fillister Head Machine Screw
<b>SP</b>	Special
<b>SP SCREW</b>	Special Screw
<b>SQHSS</b>	Square Head Set Screw
<b>SRHMS</b>	Slotted Round Head Machine Screw
<b>SSS</b>	Socket Set Screw
<b>STCS</b>	Self Tapping Cap Screw
<b>STHMS</b>	Slotted Truss Head Machine Screw
<b>WHEEL</b>	Wheel Studs and Hub Long Bolts
<b>WING</b>	Wing Bolt

### Replacement Hardware

The **Hardware Legend** above lists hardware abbreviations used in the parts list. All bolts and nuts are Grade 5 unless otherwise noted. The use of improper grades of hardware can result in personal injury, damage to equipment, or loss of property.

### Colored Replacement Parts

Land Pride offers replacement parts in factory standard colors and also on select models in Green, Orange, Red and Blue. Because of the variety of colors available, special attention must be given to the part number to prevent ordering the wrong replacement part.

A suffix number corresponding to one of the colors below must be added at the end of Land Pride's part number when ordering a replacement part with that color.

**81 . . . . . Green      83 . . . . . Red**  
**82 . . . . . Orange    84 . . . . . Blue**

For example, if you are ordering a replacement part with part number 555-555C and the part you need is red, then add the suffix 83 to the end of the number to make the part number read 555-555C83. Parts ordered without a suffix number will be supplied in factory standard colors.

### Black Replacement Parts

Some parts are factory standard black and some must be special ordered black. If your part is special ordered black, a second part number with the additional suffix number 85 on the end will be available. In this situation you must order that part with the suffix number for it to be black. Parts that are factory standard black will not have the suffix number.

### Part Number Service Coding

Within the parts list some part numbers are coded for revisions and interchangeability. See notations in revision column.

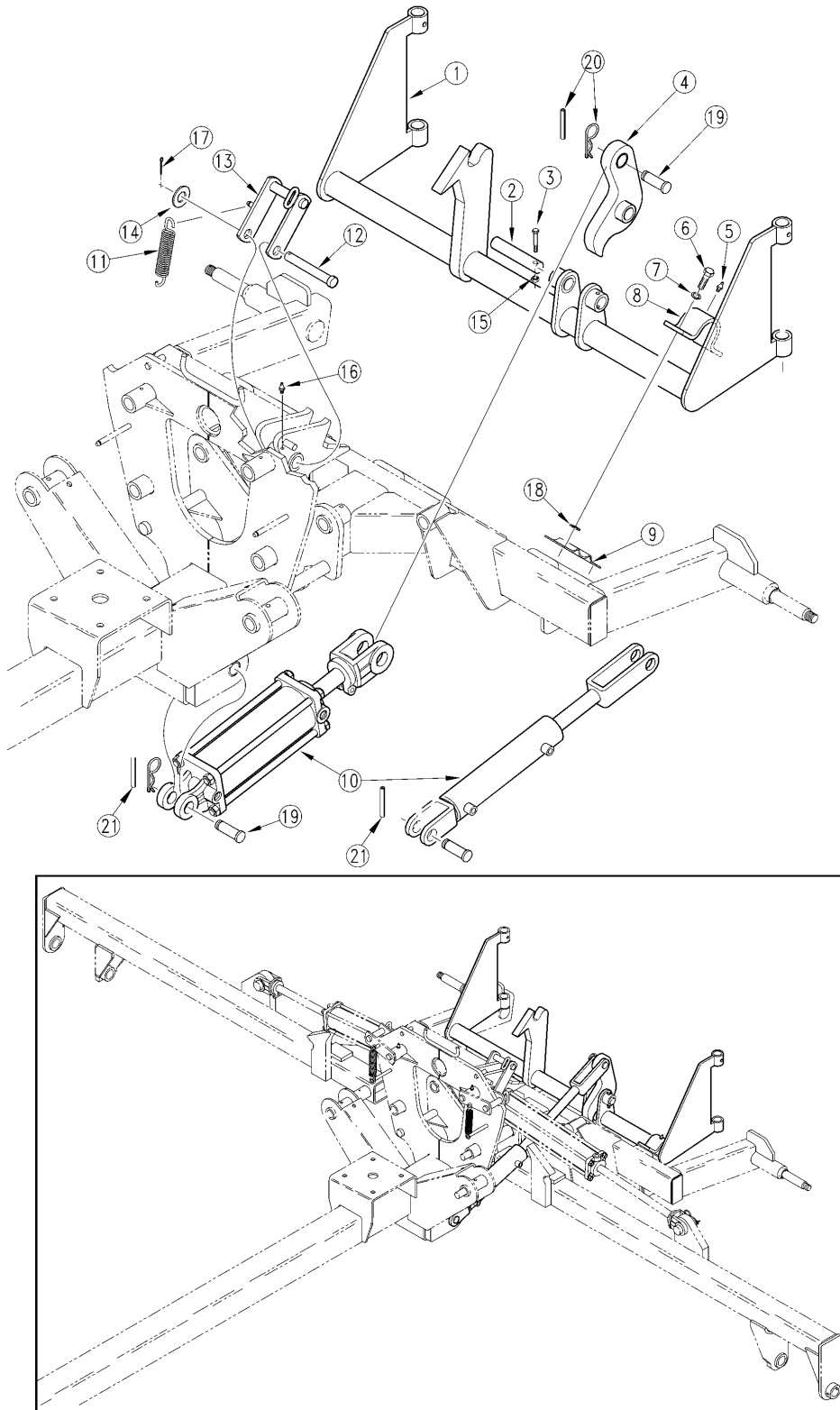
### Serial Numbers

Always use the serial and model number when ordering parts. Refer to the Operator's Manual for serial number plate location.

- |                      |  |
|----------------------|--|
| (S/N 20001+)         | Includes serial numbers 20001 and above (to the latest number)   |
| (S/N 10001 to 20000) | Includes serial numbers between and including 10001 and 20000    |
| (S/N 10000-)         | Includes serial numbers 10000 and below (to the earliest number) |

# Center Deck Pivot

Applies to AFM4014 and AFM40168



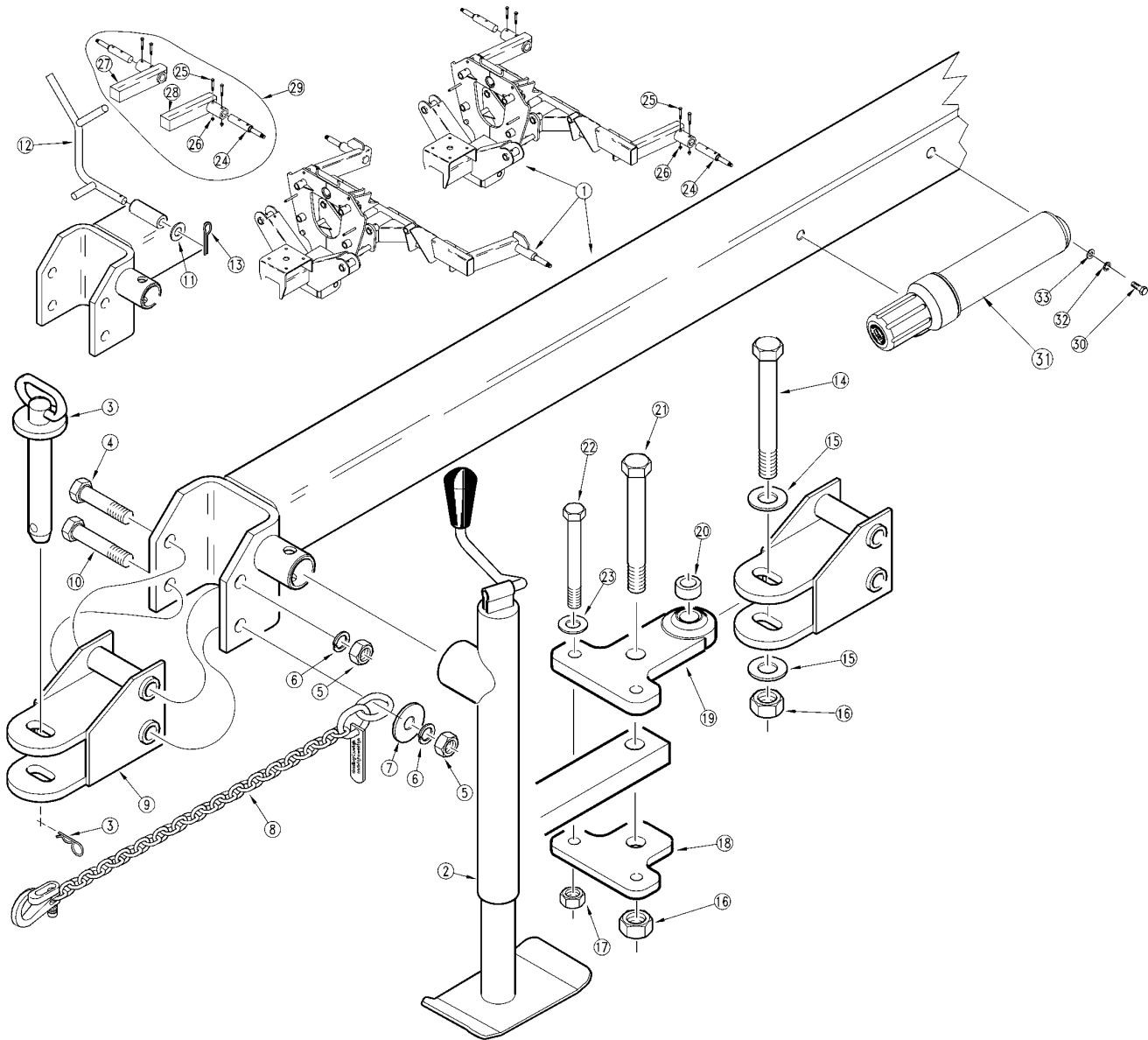
13550

**Center Deck Pivot****Applies to AFM4014 and AFM40168**

Ref	Part No.	Part Description	Comments	Revision
	dwg13550	Drawing Image Number		
1.	315-420H	AFM4014 & 16 REAR DECK PIVOT	(S/N 242927+)	Rev. 2 not compat. w/Rev. 1
1.	315-179H	REAR DECK PIVOT TUBE 168/200	(S/N 242926-)	Rev. 1
2.	315-487D	REAR DECK CYL LUG PIN		
3.	802-152C	HHCS 1/4-20X2 GR5		
4.	315-183H	REAR DECK CYL LUG WELD		
5.	800-001C	GREASE ZERK STRAIGHT 1/4-28		
6.	802-091C	HHCS 1/2-13X1 1/2 GR5		
7.	804-015C	WASHER LOCK SPRING 1/2 PLT		
8.	175-061D	PUSH, PIVOT TUBE HALF CLAMP		
9.	175-060D	PIVOT TUBE WEAR PAD		
10.	810-200C	CYL 2.5X8X1.12 ROD (TIE)1 PIN	(S/N 234477+)	Rev. 2 not compat. w/Rev. 1
10.	810-005C	CYL 2X8X1.12 ROD SINGLE ACTING	(S/N 234476-)	Rev. 1 1
11.	807-026C	PIVOT STOP SPRING		
12.	805-131C	PIN CLEVIS 1 X 4 3/4 USABLE		
13.	315-186H	FLIP LATCH WLDMNT RH		
14.	804-029C	WASHER FLAT 1 SAE		Rev. 2
14.	804-028C	WASHER FLAT 1 USS PLT		Rev 1; Use up stock
15.	803-007C	NUT LOCK 1/4-20 PLT		
16.	800-080C	GREASE ZERK 1/4-28 THD FORMING		
17.	805-017C	PIN COTTER 3/16 X 1 3/4 PLT		
18.	804-016C	WASHER FLAT 1/2 SAE PLT		
19.	805-004C	PIN CLEVIS 1 X 2 3/4 USABLE LG		
20.	805-017C	PIN COTTER 3/16 X 1 3/4 PLT	S/N 508304+	
20.	805-088C	PIN, HAIR COTTER 3/16 WIRE DIA	S/N 508303-	
21.	805-045C	PIN COTTER 5/32 X 1 1/4 LG		

# Frame

Applies to AFM4014 and AFM40168



13549

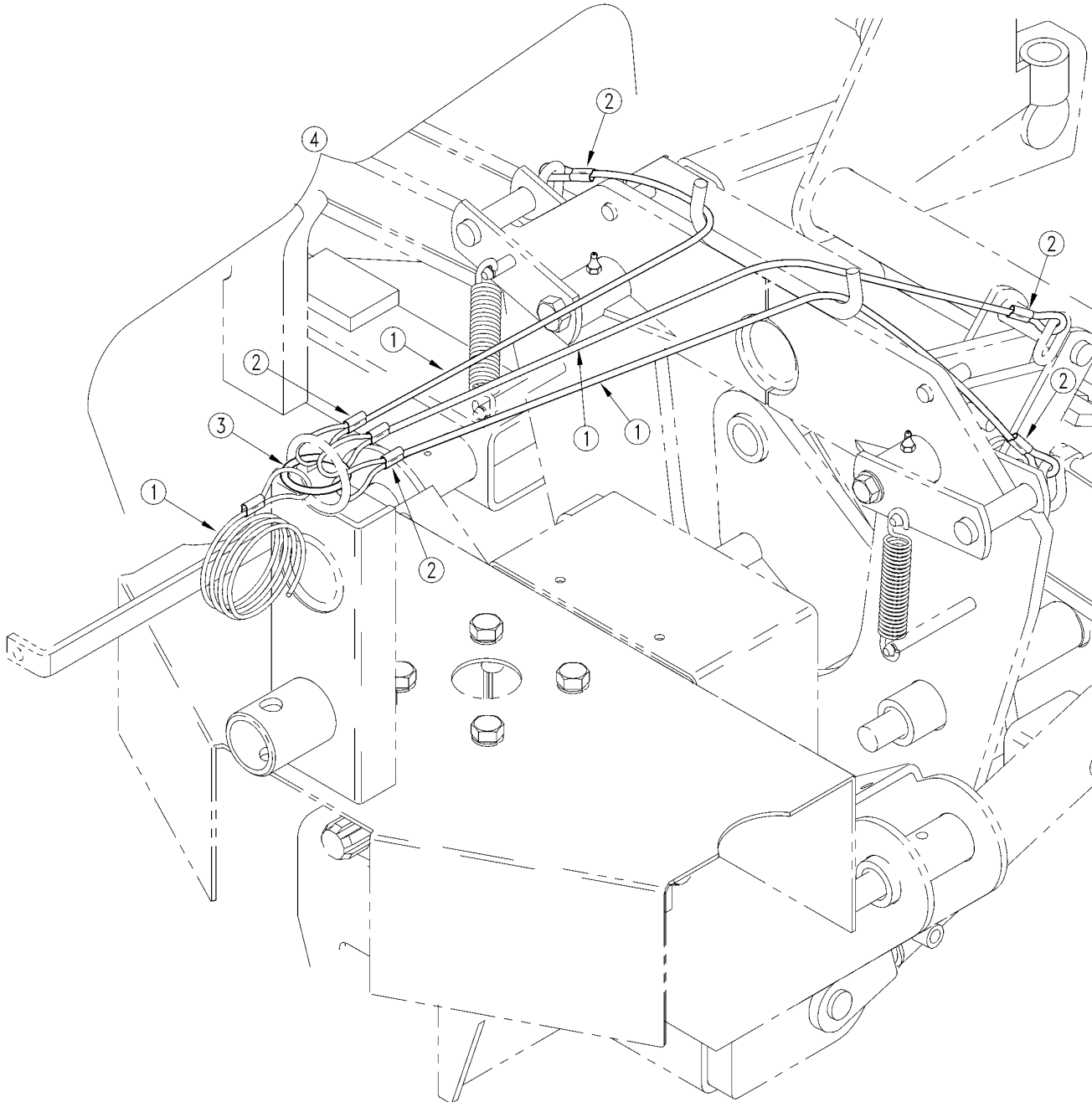


**Frame****Applies to AFM4014 and AFM40168**

<b>Ref</b>	<b>Part No.</b>	<b>Part Description</b>	<b>Comments</b>	<b>Revision</b>
	dwg13549	Drawing Image Number		
1.	315-450H	AFM4014/16 TRANSPORT FRAME	(S/N 290606+)	Rev. 3 not compat. w/Rev. 2
1.	315-285H	168-200 TRANSPORT FRAME	(S/N 176350-29)	Rev. 2 not compat. w/Rev. 1
1.	315-180H	FRAME WELDMENT AFM40168/200	(S/N 176349-)	Rev. 1
2.	890-118C	SCREW JACK 2000#		
3.	805-081C	PIN HITCH 3/4 X 4 3/8		
4.	802-360C	HHCS 3/4-10X6 1/2		
5.	803-027C	NUT HEX 3/4-10 PLT		
6.	804-023C	WASHER LOCK SPRING 3/4 PLT		
7.	401-372D	WASHER, SAFETY CHAIN	S/N 503871+	
7.	804-024C	WASHER FLAT 3/4 USS PLT	S/N 503870-	
8.	890-182C	SAFETY CHAIN 10000 LB		
9.	315-274H	FRONT HITCH LUG WELDMENT	(S/N 176350+)	
9.	315-197H	SWIVEL HITCH-FRONT AFM168/200	(S/N 176349-)	
10.	802-280C	HHCS 3/4-10X7 1/2 GR5	S/N 503871+	
10.	802-095C	HHCS 3/4-10X7 GR5	S/N 503870-	
11.	804-016C	WASHER FLAT 1/2 SAE PLT		
12.	315-139H	FRONT P.T.O. MOUNT	(S/N 176349-)	
13.	805-109C	PIN COTTER 1/8 X 1 1/4 PLT	(S/N 176349-)	
14.	802-205C	HHCS 1-8X5 1/2 GR5		
15.	804-028C	WASHER FLAT 1 USS PLT		
16.	803-038C	NUT HEX 1-8 NYLON INSERT PLT		
17.	803-148C	NUT HEX NYLOCK 5/8-11 PLT		
18.	315-754D	BALL SWIVEL MOUNT BOTTOM PLATE		
19.	315-369H	BALL SWIVEL MOUNT PLATE		
20.	315-753D	HITCH SPACER TUBE		
21.	802-235C	HHCS 1-8X5 GR5		
22.	802-060C	HHCS 5/8-11X4 GR5		
23.	804-019C	WASHER FLAT 5/8 USS PLT		
24.	315-821D	AFM4014/16 BOLT-IN SPINDLE	(S/N 290606+)	
25.	802-099C	HHCS 1/2-13X3 1/4 GR5	(S/N 290606+)	
26.	803-019C	NUT LOCK 1/2-13 PLT	(S/N 290606+)	
27.	315-454E	AFM4014/16 RH BOLTIN SPIN.		
28.	315-455E	AFM4014/16 LH BOLTIN SPIN.		
29.	315-460A	4014/16 BOLT-IN SPIN SHIPOUT		
30.	802-283C	HHCS 1/4-20X1/2 GR2	S/N 548516+	
31.	816-504C	MANUAL STORAGE CONTAINER	S/N 548516+	
32.	804-006C	WASHER LOCK SPRING 1/4 PLT	S/N 548516+	
33.	804-007C	WASHER FLAT 1/4 SAE PLT	S/N 548516+	

# ***Pull Latch Cord Lock-Up***

**Applies to AFM4014 and AFM40168**



13552

***Pull Latch Cord Lock-Up***

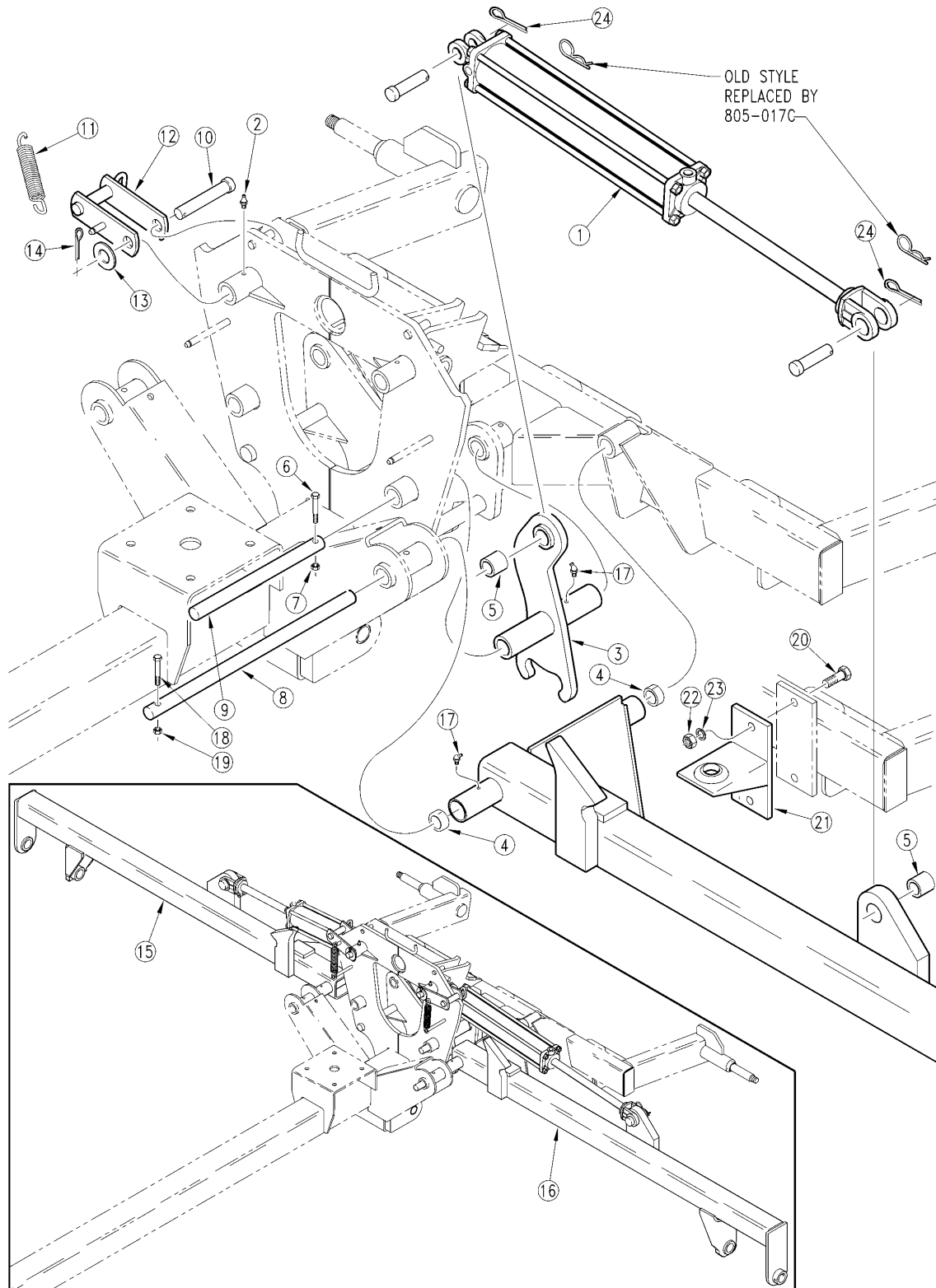
---

**Applies to AFM4014 and AFM40168**

<b>Ref</b>	<b>Part No.</b>	<b>Part Description</b>	<b>Comments</b>	<b>Revision</b>
	dwg13552	Drawing Image Number		
1.	890-337C	CORD-PARACHUTE 3/16	Right & Left Hand Deck 34" Long and Center 44" Long. Frame to Tractor 156" Long. Total Length 23 Ft. Sold only in 12" increments	
2.	890-589C	5/32 I.D. OVAL SLEEVE		
3.	890-332C	WELDED RING 1/4 X 2		
4.	315-247S	40168/200 DECK PULL ROPE		
		NOTES:		
		When Installing Cord to Deck Latches Be Sure to Apply Tension to Cord For Proper Operation.		

# Right Hand and Left Hand Deck Pivot

Applies to AFM4014 and AFM40168



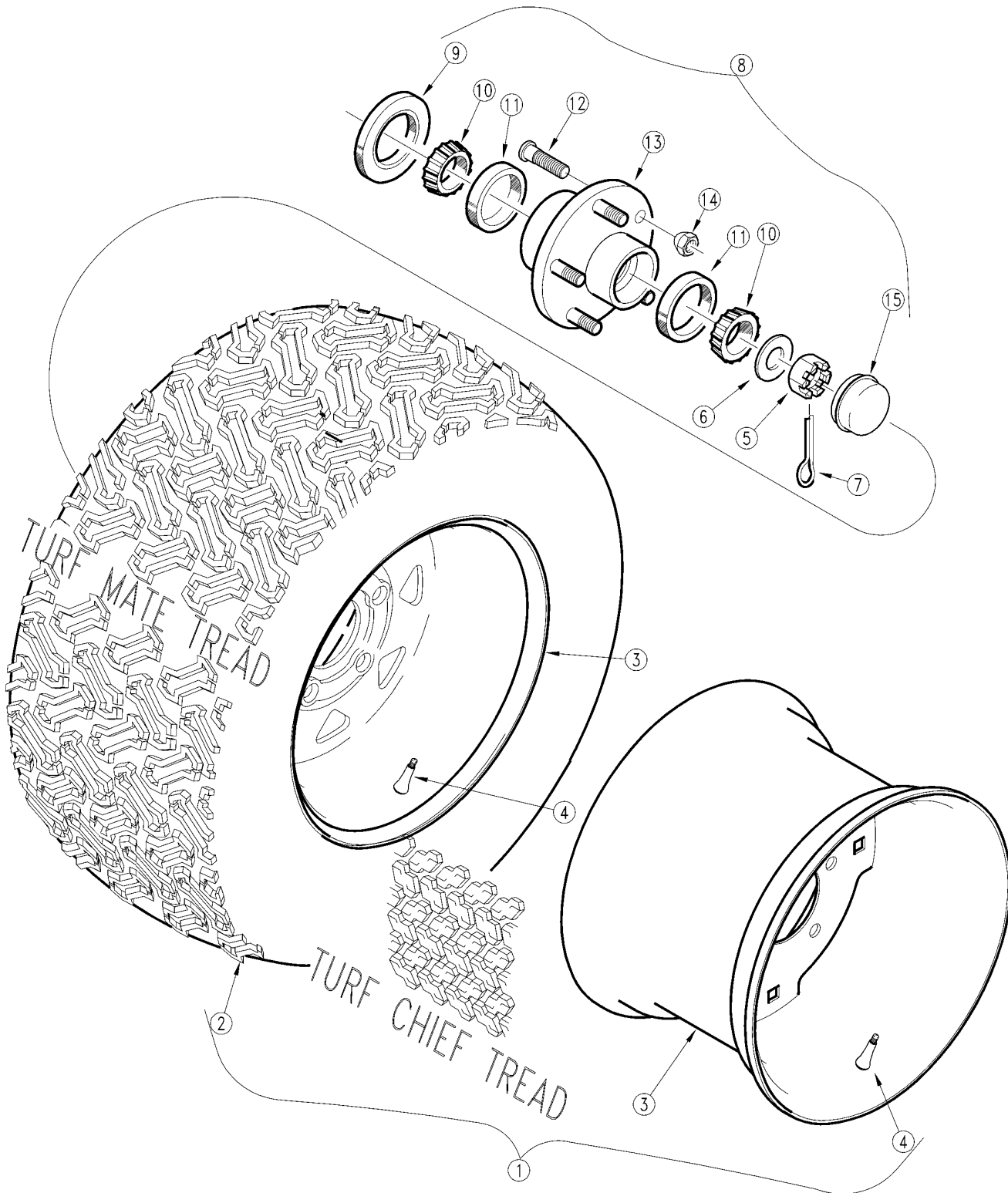
13817

**Right Hand and Left Hand Deck Pivot****Applies to AFM4014 and AFM40168**

Ref	Part No.	Part Description	Comments	Revision
	dwg13817	Drawing Image Number		
1.	810-150C	CYL 2.5X12X1.25 ROD (TIE ROD)		
2.	800-080C	GREASE ZERK 1/4-28 THD FORMING		
3.	315-182H	WING FLEX LUG AFM40168/200		
4.	890-278C	BUSHING CYL 1 1/4 X 1 X 1 3/8		
5.	890-005C	BUSHING CYL 1 1/4 X 1 X 1		
6.	802-115C	HHCS 5/16-18X2 GR5		Rev. 2 not compat. w/Rev. 1
6.	802-152C	HHCS 1/4-20X2 GR5		Rev. 1
7.	803-011C	NUT LOCK 5/16-18 PLT		Rev. 2 not compat. w/Rev. 1
7.	803-007C	NUT LOCK 1/4-20 PLT		Rev. 1
8.	315-565D	40200 TOOLBAR PIVOT PIN		
9.	315-564D	DECK FLEX PIVOT PIN		
10.	805-131C	PIN CLEVIS 1 X 4 3/4 USABLE		
11.	807-026C	PIVOT STOP SPRING		
12.	315-186H	FLIP LATCH WLDMNT RH		
12.	315-198H	FLIP LATCH WELDMENT LH		
13.	804-029C	WASHER FLAT 1 SAE		Rev. 2
13.	804-028C	WASHER FLAT 1 USS PLT		Rev 1; Use up stock
14.	805-017C	PIN COTTER 3/16 X 1 3/4 PLT		
15.	315-230H	40168 R.H. TOOLBAR WELD		
16.	315-231H	40168 L.H. TOOLBAR WELD		
17.	800-136C	ZERK 1/4-28 X 45 DEG SELF-TAP		
18.	802-115C	HHCS 5/16-18X2 GR5		
19.	803-011C	NUT LOCK 5/16-18 PLT		
20.	802-091C	HHCS 1/2-13X1 1/2 GR5	(S/N 176349-)	
21.	315-235H	40168 CORNER CARRIER MOUNT	(S/N 176349-)	
22.	803-020C	NUT HEX 1/2-13 PLT	(S/N 176349-)	
23.	804-015C	WASHER LOCK SPRING 1/2 PLT	(S/N 176349-)	
24.	805-045C	PIN COTTER 5/32 X 1 1/4 LG	(S/N 508304+)	

# Transport Frame Tire and Hub (814-100C; 815-052C)

Applies to AFM4014 and AFM40168



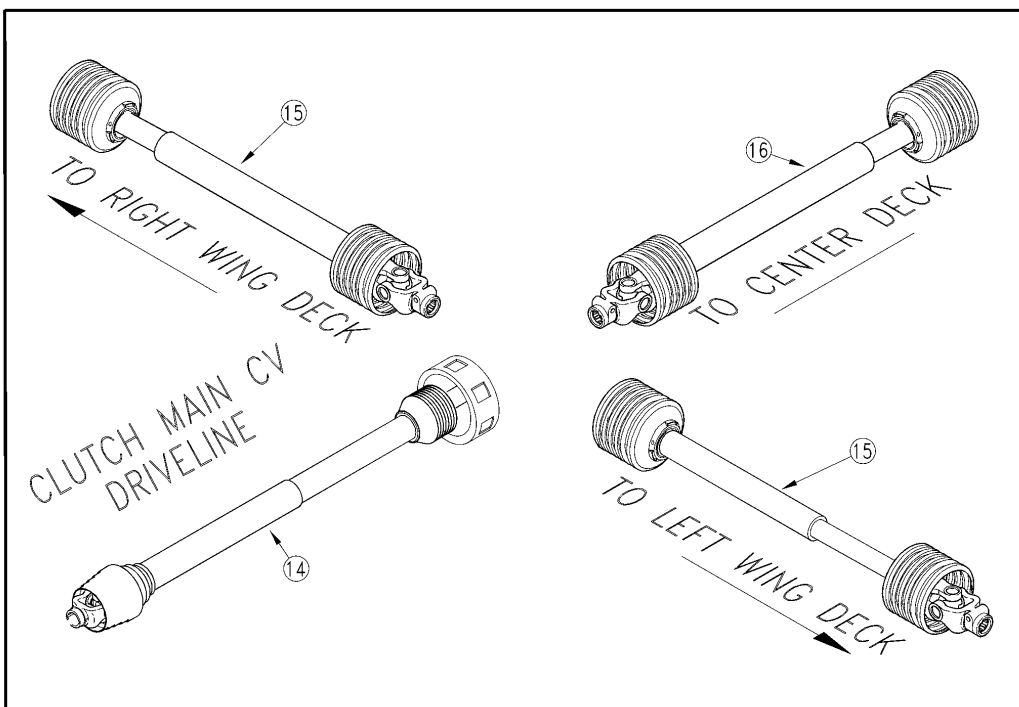
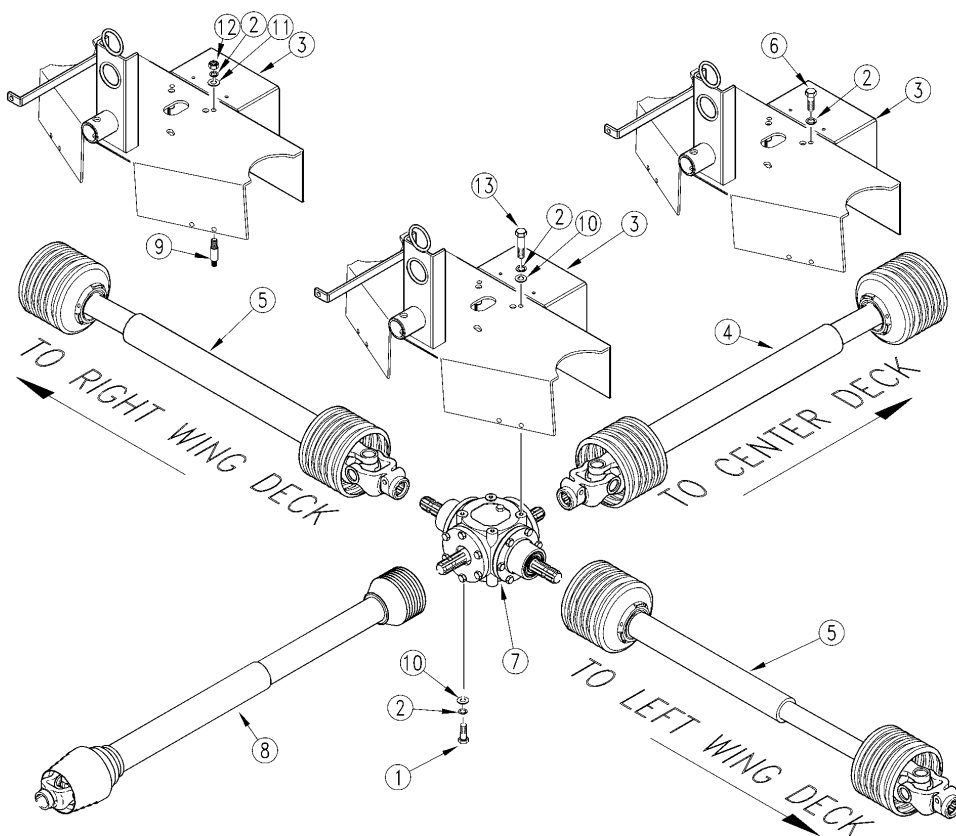
13589

**Transport Frame Tire and Hub (814-100C; 815-052C)****Applies to AFM4014 and AFM40168**

<b>Ref</b>	<b>Part No.</b>	<b>Part Description</b>	<b>Comments</b>	<b>Revision</b>
	dwg13589	Drawing Image Number		
	814-100C	Transport Frame Tire & Hub		
	814-052C	Transport Frame Tire & Hub		
1.	814-100C	TIRE & WHL ASSY 23 X 10.5-12		
2.	0511421-710	CL TIRE 23X10.5-12 4P TM TL	Turf Mate	
2.	051172600710	CL TIRE 23X10.5-12 4P TRFCHIEF	Turf Chief	
3.	30-449S6B	TILDEN RIM 12X8.50,8SPOKED BLK	(S/N 250500+)	Rev. 2
3.	2L363-17702-01	CL RIM ASSY 5 BOLT-12 X 8 1/2	(S/N 250499-)	Rev 1; Use up stock
4.	816-088C	VALVE STEM TR412		
5.	803-053C	NUT HEX SLOTTED 3/4-16		
6.	804-025C	WASHER FLAT 3/4 SAE PLT		
7.	805-045C	PIN COTTER 5/32 X 1 1/4 LG		
8.	815-052C	HUB ASSY 5 BOLT 4 1/2" B.C.		
9.	816-014C	TINE GAUGE WHEEL HUB SEAL		
10.	822-030C	BEARING CONE 1		
11.	822-080C	BEARING CUP L44610		
12.	B0-47	NEILSON STUD 1/2-20UNFX1 13/16		
13.	N/A	NEILSON 5 BOLT HUB		
14.	803-159C	NUT LUG 1/2-20 X 60 DEG PLT		
15.	890-614C	GREASE CAP #1505		Rev. 2
15.	890-068C	GREASE CAP		Rev. 1

# Driveline Arrangement

Applies to AFM4014 and AFM40168



22021

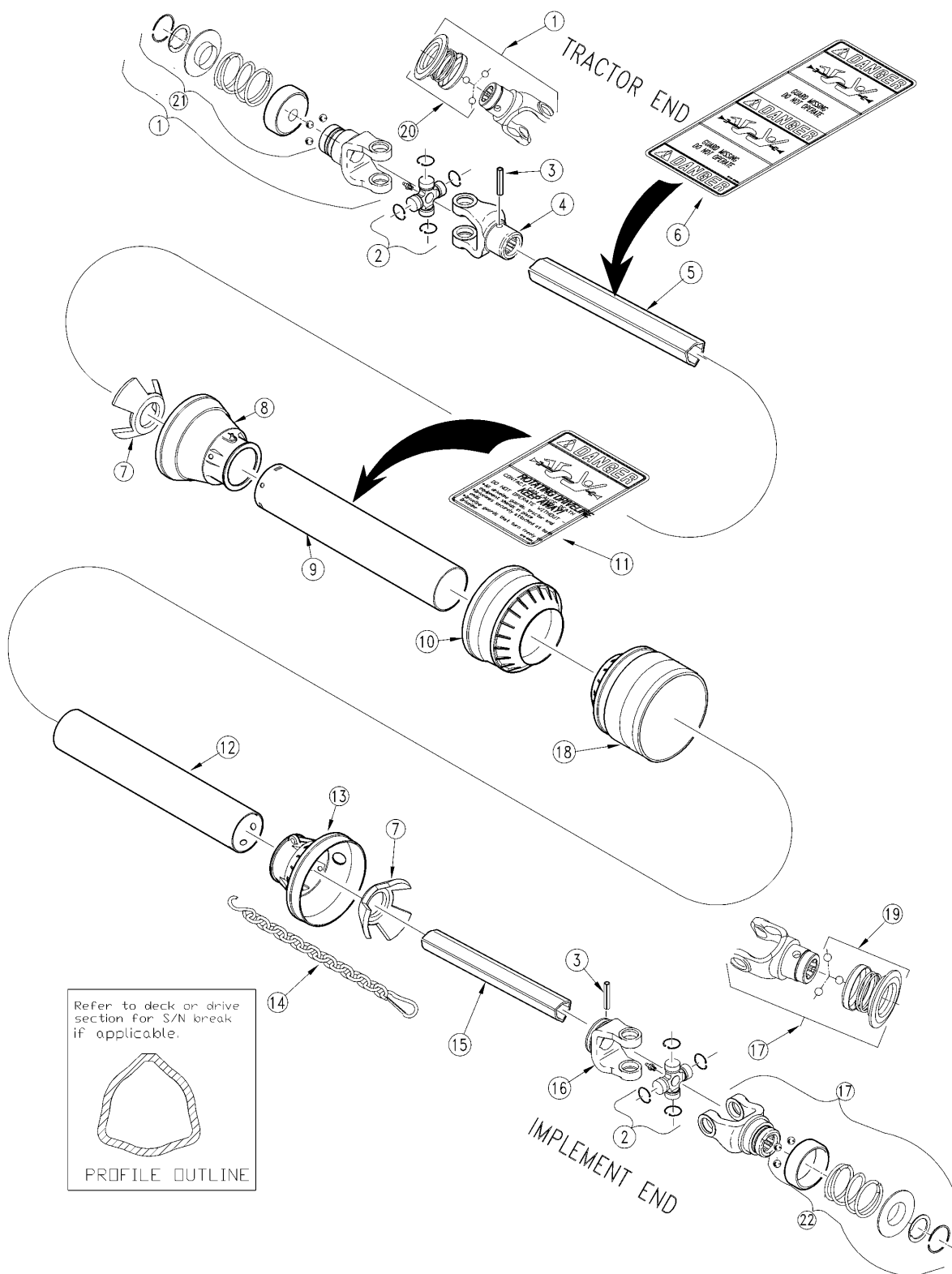


**Driveline Arrangement****Applies to AFM4014 and AFM40168**

<b>Ref</b>	<b>Part No.</b>	<b>Part Description</b>	<b>Comments</b>	<b>Revision</b>
	dwg22021	Drawing Image Number		
1.	802-689C	HHCS 1/2-13X1 1/4 GR5 NYL	(S/N 287708+)	Rev. 3 not compat. w/Rev. 2
1.	802-034C	HHCS 1/2-13X1 1/4 GR5	(S/N 242927-287707)	Rev. 2 not compat. w/Rev. 1
1.	802-258C	HHCS 1/2-13X1 GR5	(S/N 242926-)	Rev. 1
2.	804-015C	WASHER LOCK SPRING 1/2 PLT		
3.	315-448H	AFM14,16,22 SPLITTER BOX COVER	(S/N 272760+)	Rev. 3 not compat. w/Rev. 2
3.	315-336H	4-WAY BOX COVER-COMER	(S/N 242927-272759)	Rev. 2 not compat. w/Rev. 1
3.	315-187H	SPLITTER BOX COVER AFM40200	(S/N 242926-)	Rev. 1
4.	826-111C	PTO 2200 X 33.86 W/CLUTCH		
4.	826-064C	PTO CAT. 3 X 34		
5.	826-144C	PTO 2200 X 27.95 W/CLUTCH		
5.	826-145C	PTO CAT. 3 X 27.95 W/O CLUTCH		
6.	802-038C	HHCS 1/2-13X2 1/4 GR5		
7.	826-274C	GBOX DIVIDER OMNI 250559 1:1	(S/N 272760+)	Rev. 3 not compat. w/Rev. 2
7.	826-097C	RPBY 315-447A	(S/N 272759-)	Rev. 2 not compat. w/Rev. 1
7.	826-141C	4-WAY SPLITTER BOX 1:1 RATIO		Rev. 1
8.	826-143C	PTO CV 2480 X 51.5 NO CLUTCH		
8.	826-370C	PTO CV CAT.4 W/CLUTCH	Optional	
9.	315-736D	4-WAY COVER SPACER STUD	(S/N 242927-272759)	
10.	804-113C	WASHER FLAT 1/2 USS HARD PLT	(S/N 242927-287707))	
11.	804-016C	WASHER FLAT 1/2 SAE PLT	(S/N 242927-272759)	
12.	803-020C	NUT HEX 1/2-13 PLT	(S/N 242927-272759)	
13.	802-226C	HHCS 1/2-13X2 3/4 GR5	(S/N 272760+)	
14.	826-370C	PTO CV CAT.4 W/CLUTCH	S/N 257343+	
15.	826-374C	PTO CAT.2 X 35	S/N 257343+	
16.	826-371C	PTO CAT.2 X 41	S/N 257343+	

**Driveline Center Deck (826-064C) Eurocardan**

Applies to AFM4014 and AFM40168



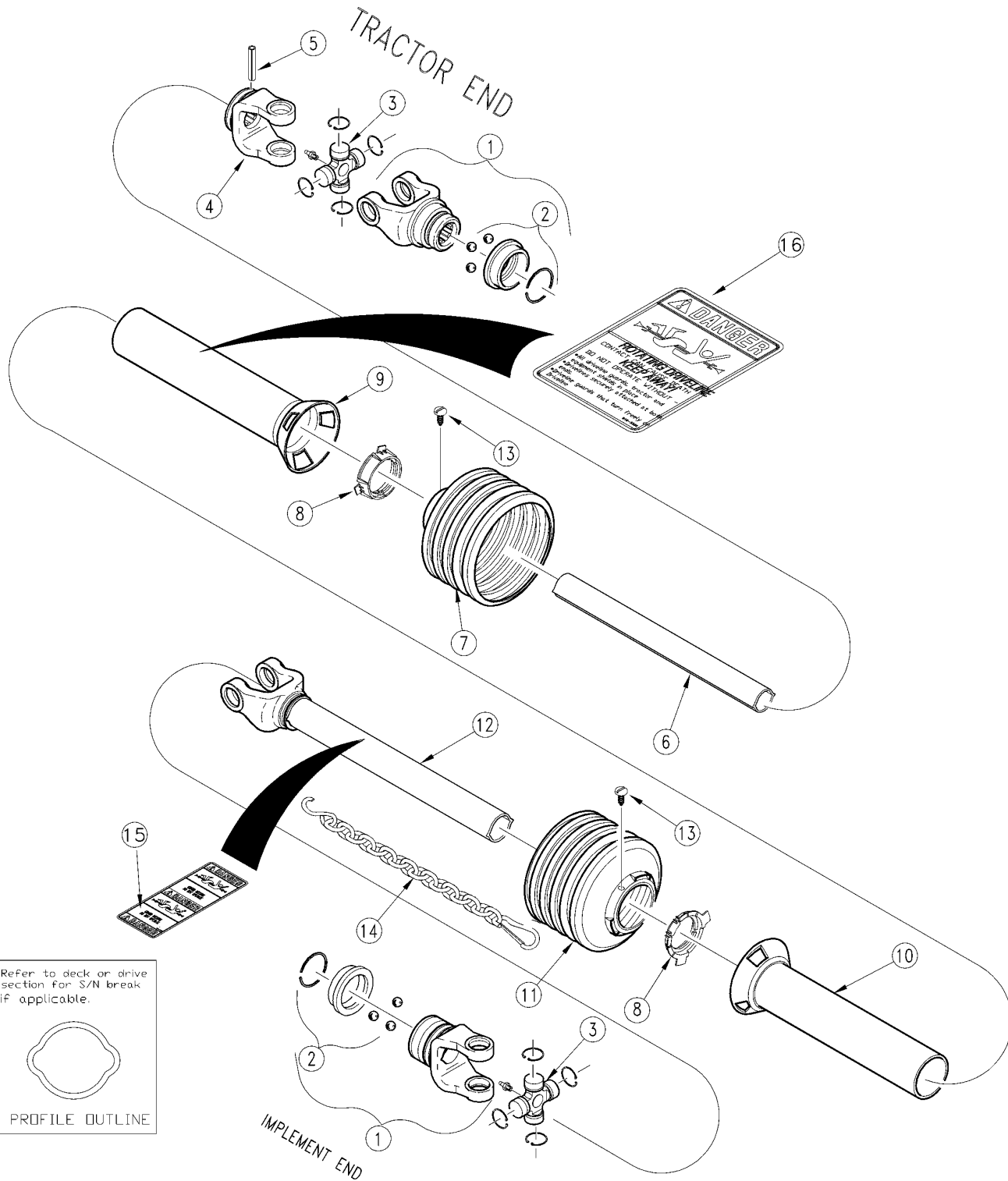
14057

**Driveline Center Deck (826-064C) Eurocardan****Applies to AFM4014 and AFM40168**

<b>Ref</b>	<b>Part No.</b>	<b>Part Description</b>	<b>Comments</b>	<b>Revision</b>
	dwg14057	Drawing Image Number		
	0826-064C	PTO CAT. 3 X 34		
1.	1014012	EC YOKE ASSEMBLY		Rev. 2
1.	1014010	REP BY 1014012		Rev 1; Use up stock
2.	1004020	EC CROSS ASSEMBLY		
3.	6330865	EC 8X65-DIN-1481 O/TUBE R/PIN		
4.	1704027	EC OUTER TUBE YOKE		
5.	1524072	EC OUTER TUBE		Rev. 2
5.	1534322	RPBY 1524072		Rev 1; Use up stock
6.	818-540C	DECAL DANGER GUARD MISS PTO		
7.	1784210	EC TUBE BEARING		Rev. 2
7.	1783016	RPBY 1784210		Rev 1; Use up stock
8.	1884201	EC OUTER TUBE RIGID CONE		Rev. 2
8.	1883230	RPBY 1884201		Rev 1; Use up stock
9.	1873064	EC OUTER TUBE		Rev. 2
9.	1884348	RPBY 1873064		Rev 1; Use up stock
10.	1884203	EC SOFT CONE		Rev. 2
10.	1883013	RPBY 1884203		Rev 1; Use up stock
11.	818-552C	DECAL DANGER PTO DRIVELINE		
12.	1872064	EC INNER TUBE		Rev. 2
12.	1774335	RPBY 1872064		Rev 1; Use up stock
13.	1884202	EC INNER TUBE RIGID CONE		
13.	1883231	RPBY 1884202		Rev. 2
14.	044321	DRIVELINE SHIELD SAFETY CHAIN		Rev 1; Use up stock
15.	1525072	EC INNER TUBE		Rev. 2
15.	1534308	RPBY 1525072		Rev 1; Use up stock
16.	1704029	EC INNER TUBE YOKE		
17.	1014012	EC YOKE ASSEMBLY		Rev. 2
17.	1114010	REP BY 1014012		Rev. 1
18.	1884205	EC SOFT LONG CONE		
19.	1004225	EC PULL COLLAR KIT		
20.	1004225	EC PULL COLLAR KIT		
21.	1004220	EC TWIST COLLAR KIT (TRT. END)		
22.	1004224	EC TWIST COLLAR KIT (IMP. END)		

**Driveline Center Deck (826-064C) Walterscheid**

Applies to AFM4014 and AFM40168



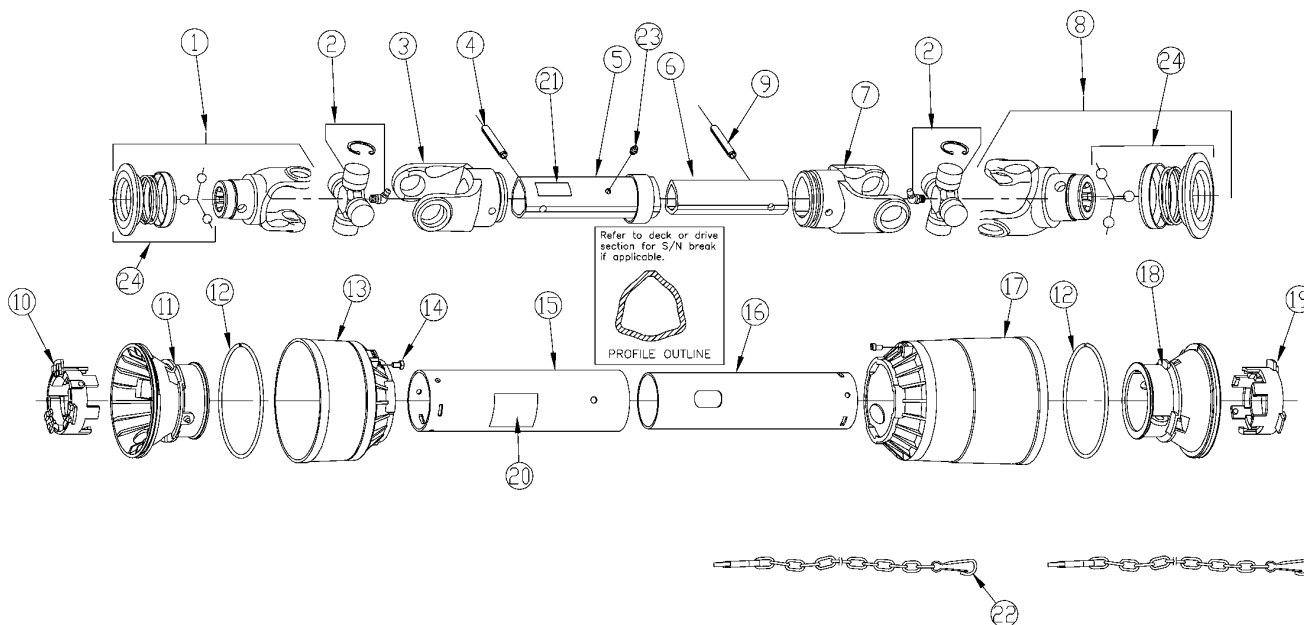
13813

***Driveline Center Deck (826-064C) Walterscheid*****Applies to AFM4014 and AFM40168**

<b>Ref</b>	<b>Part No.</b>	<b>Part Description</b>	<b>Comments</b>	<b>Revision</b>
	dwg13813	Drawing Image Number		
	826-064C	PTO CAT. 3 X 34		
1.	196839	WS YOKE 1 3/8-6 SPL ASGE		Rev. 2
1.	380906	RPBY 196839		Rev 1; Use up stock
2.	390404	WS ASGE COLLAR KIT		Rev. 2
2.	381908	RPBY 390404		Rev 1; Use up stock
3.	044444	WS CROSS & BRG KIT		
4.	041576	WS INBOARD YOKE		
5.	020616	WS SPRING PIN		
6.	364859	WS INNER PROFILE 826-064C		
7.	377335	WS SHIELD CONE - 5 RIB		
8.	087276	WS BEARING RING - SC25		
9.	382877	WS OUTER SHIELD TUBE OVL		
10.	382878	WS INNER SHIELD TUBE RND		
11.	377340	WS SHIELD CONE 10 RIB		
12.	381178	WS YOKE W/OTR PROFILE 826-064C		
13.	365305	WS SCREW		
14.	044321	DRIVELINE SHIELD SAFETY CHAIN		
15.	818-540C	DECAL DANGER GUARD MISS PTO		
16.	818-552C	DECAL DANGER PTO DRIVELINE		

# Driveline Center Deck (826-371C) Eurocardan

Applies to AFM4014 and AFM40168

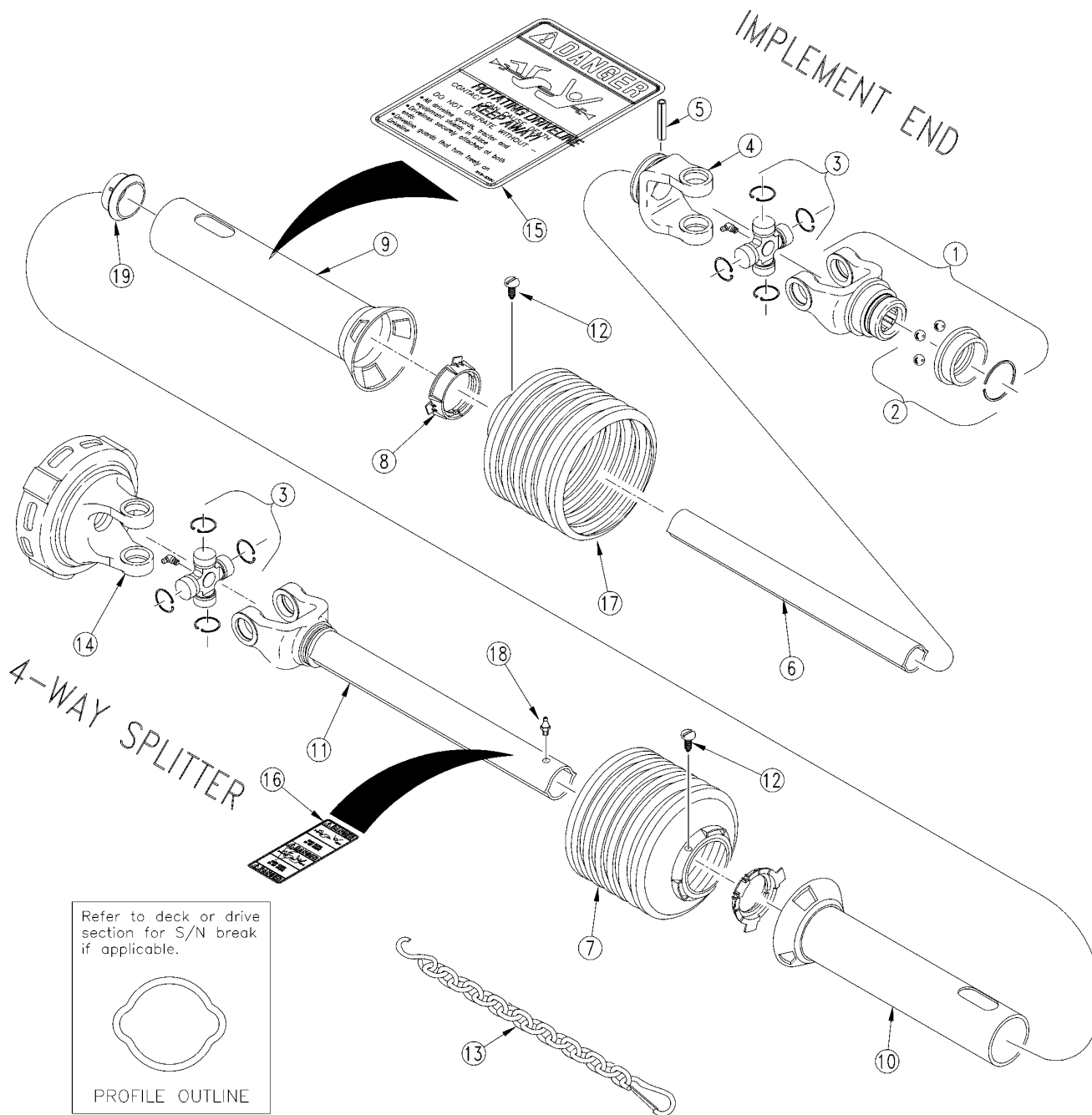


***Driveline Center Deck (826-371C) Eurocardan*****Applies to AFM4014 and AFM40168**

<b>Ref</b>	<b>Part No.</b>	<b>Part Description</b>	<b>Comments</b>	<b>Revision</b>
	dwg22022	Drawing Image Number		
	826-371C	PTO CAT.2 X 41		
1.	1014113	EC YOKE ASSEMBLY		
2.	1004020	EC CROSS ASSEMBLY ( U JOINT)		
3.	1704027	EC OUTER TUBE YOKE		
4.	6330860	EC 08X60 1485DIN ROLL PIN		
5.	1524902	EC INNER TUBE		
6.	1525072	EC INNER TUBE (1525095) 720MM		
7.	1704029	EC INNER TUBE YOKE		
8.	1014113	EC YOKE ASSEMBLY		
9.	6330855	EC 8X55-DIN-1481 O/TUBE R/PIN		
10.	1784210	EC TUBE BEARING		
11.	1884201	EC OUTER TUBE RIGID CONE		
12.	1213233	EC STIFFENING RING		
13.	1884203	EC SOFT CONE		
14.	1784212	EC PIN STOP ROTATION		
15.	1873901	EC OUTER TUBE SHIELD		
16.	1872901	EC INNER SHIELD TUBE		
17.	1884205	EC SOFT LONG CONE		
18.	1884202	EC INNER TUBE RIGID CONE		
19.	1784211	EC TUBE BEARING		
20.	818-552C	DECAL DANGER PTO DRIVELINE		
21.	818-540C	DECAL DANGER GUARD MISS PTO		
22.	044321	DRIVELINE SHIELD SAFETY CHAIN		
23.	6560006	EC GREASE ZERK M6X1 STRAIGHT		
24.	1004229	EC PULL COLLAR REPLACEMENT KIT		

# Driveline Center Deck W/Clutch (826-111C) Walterscheid

Applies to AFM4014 and AFM40168



13449

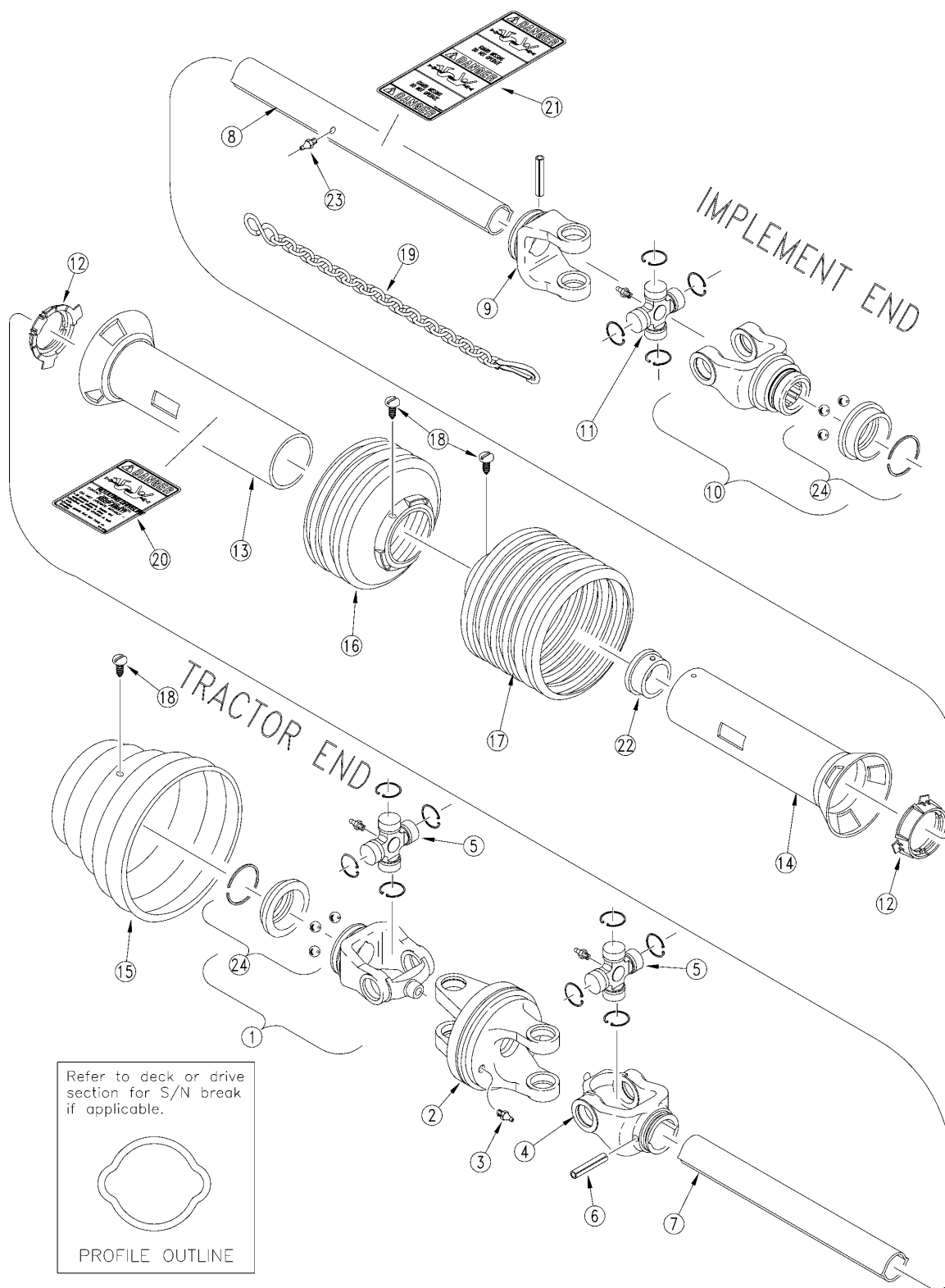


***Driveline Center Deck W/Clutch (826-111C) Walterscheid*****Applies to AFM4014 and AFM40168**

<b>Ref</b>	<b>Part No.</b>	<b>Part Description</b>	<b>Comments</b>	<b>Revision</b>
	dwg13449	Drawing Image Number		
	826-111C	PTO 2200 X 33.86 W/CLUTCH		
1.	196837	WS ASGE YOKE 1 3/8-6 SPL.		Rev. 2
1.	380905	RPBY 196837		Rev 1; Use up stock
2.	390404	WS ASGE COLLAR KIT		Rev. 2
2.	381908	RPBY 390404		Rev 1; Use up stock
3.	044439	WALTSCHIED CROSS & BRG KIT		
4.	041065	WS INBOARD YOKE		
5.	020614	WS SPRING PIN		
6.	047680	WS INNER PROFILE 826-111C		
7.	377234	WS SHIELD CONE-4 RIB		
8.	087279	WS BEARING RING		
9.	392052	WS OUTER SHIELD OVL.	(S/N 259230+)	Rev. 2 not compat. w/Rev. 1
9.	387332	RPBY 392052	(S/N 259229+)	Rev. 1
10.	392050	WS INNER SHIELD RND.	(S/N 259230+)	Rev. 2 not compat. w/Rev. 1
10.	387266	RPBY 392050	(S/N 259229+)	Rev. 1
11.	390289	WS YOKE W/OTR PROFILE 826-111C		
12.	365305	WS SCREW		
13.	044321	DRIVELINE SHIELD SAFETY CHAIN		
14.	053314	WS FRICTION CLUTCH		
15.	818-552C	DECAL DANGER PTO DRIVELINE		
16.	818-540C	DECAL DANGER GUARD MISS PTO		
17.	377240	WS SHIELD CONE-10RIB		
18.	380371	WS ZERK	(S/N 259230+)	
19.	355154	WS SUPPORT BEARING	(S/N 259230+)	

# Driveline CV (826-143C) Walterscheid

Applies to AFM4014 and AFM40168



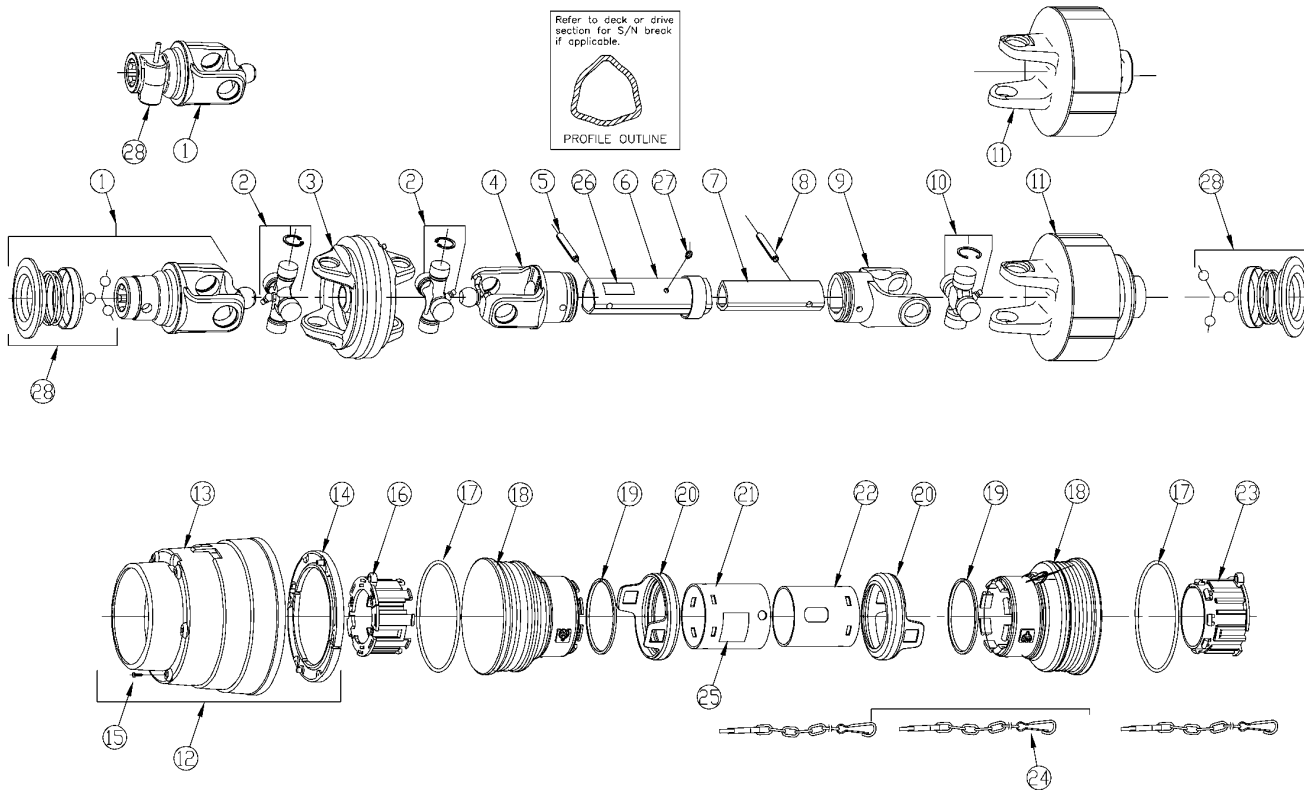
13812

**Driveline CV (826-143C) Walterscheid****Applies to AFM4014 and AFM40168**

Ref	Part No.	Part Description	Comments	Revision
	dwg13812	Drawing Image Number		
	826-143C	PTO CV 2480 X 51.5 NO CLUTCH		
1.	380882	WS YOKE 1 3/8-6 SPL		
2.	365722	WS DOUBLE YOKE		
3.	020672	WS GREASE ZERK		
4.	341586	WS INBOARD YOKE		
5.	342221	WS CROSS & BEARING KIT		
6.	020617	WS SPRING PIN 10 X 20		
7.	316201	WS INNER PROFILE 1BGA		
8.	383231	WS PROFILE & SLEEVE		
9.	019519	WS INBOARD YOKE		
10.	380907	WS YOKE 1 3/8-6 SPL AS		
11.	312410	WS CROSS BEARING KIT		
12.	087276	WS BEARING RING - SC25		
13.	390186	WS OUTER SHIELD TUBE OVL		
14.	385954	WS INNER SHIELD TUBE RND		
15.	386083	WS CV CONE & BEARING ASSY		
16.	172758	WS SHIELD CONE 3 RIB		
17.	377336	WS SHIELD CONE 6 RIB		
18.	365305	WS SCREW		
19.	044321	DRIVELINE SHIELD SAFETY CHAIN		
20.	818-552C	DECAL DANGER PTO DRIVELINE		
21.	818-540C	DECAL DANGER GUARD MISS PTO		
22.	355155	WS SUPPORT BEARING		
23.	380371	WS ZERK		
24.	390404	WS ASGE COLLAR KIT		Rev. 2
24.	381908	RPBY 390404		Rev 1; Use up stock

# Driveline CV W/ Clutch (826-370C) Eurocardan

Applies to AFM4014 and AFM40168



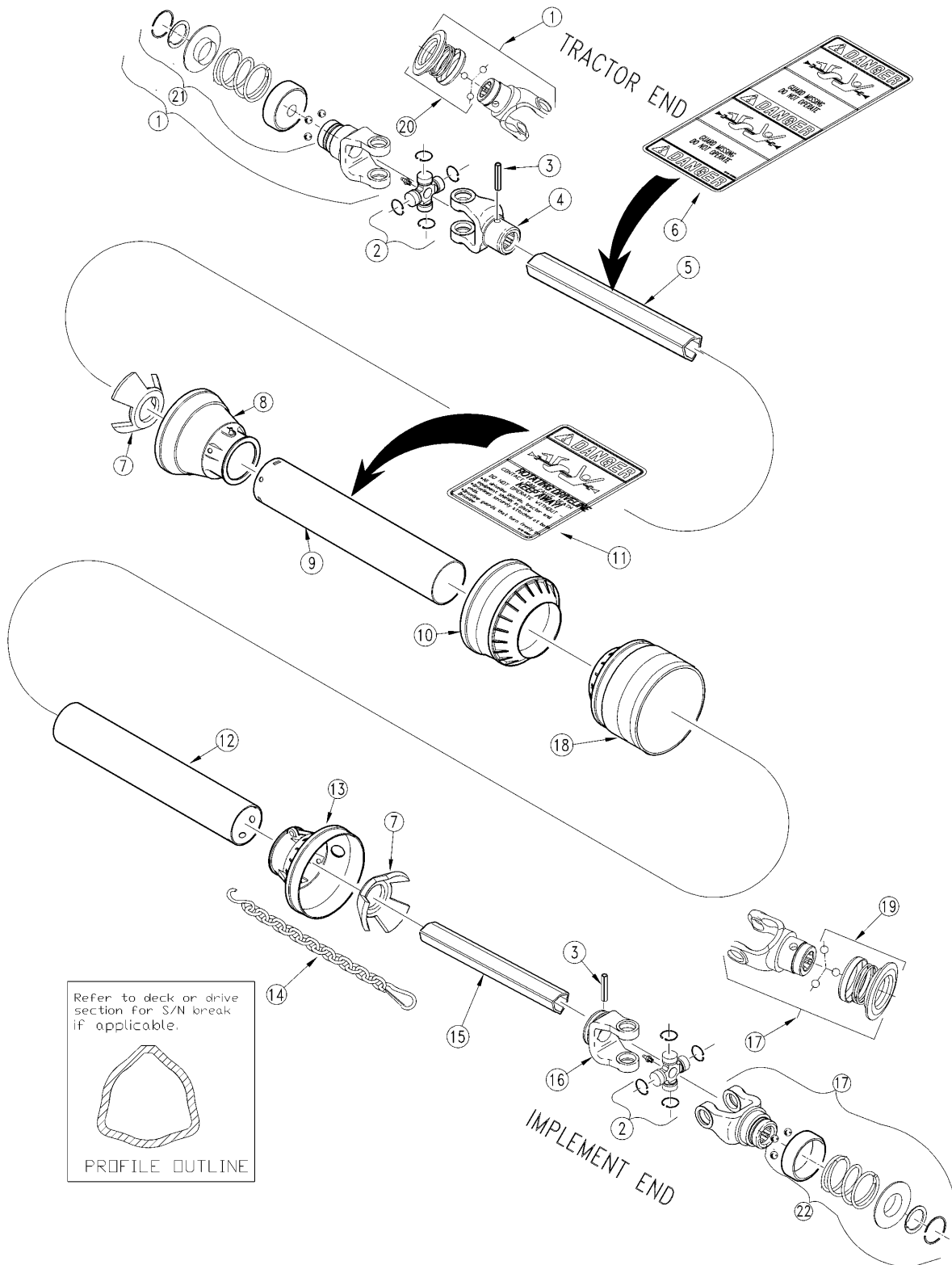
22023

***Driveline CV W/ Clutch (826-370C) Eurocardan*****Applies to AFM4014 and AFM40168**

<b>Ref</b>	<b>Part No.</b>	<b>Part Description</b>	<b>Comments</b>	<b>Revision</b>
	dwg22023	Drawing Image Number		
	826-370C	PTO CV CAT.4 W/CLUTCH		
1.	1006865	EC PULL COLLAR YOKE 1.38-6	Pull collar yoke	
1.	1006803	RPBY 1006865	Push-pin yoke	
2.	1006830	EC GO6 CROSS ASSEMBLY		
3.	1006831	EC HOMOKINETIC JOINT		
4.	1006827	EC OUTER TUBE HOMOKINETIC YOKE		
5.	6331080	EC 10X80-DIN-1481 O/TUBE R/PIN		
6.	1548900	EC OUTER TUBE		
7.	1546096	EC INNER TUBE 960MM		
8.	6331070	EC 10X70 ROLL PIN		
9.	1706029	EC INNER TUBE YOKE		
10.	1006020	EC CROSS ASSEMBLY		
11.	1466607	EC CLUTCH BD4/6 1600Nm	EC Clutch w/pull collar	
11.	1466305	RPBY 1466607	EC Clutch w/clamp yoke (BC4 1600Nm)	
12.	9190601	EC WIDE ANGLE PROTECTION		
13.	1886802	EC SOFT CONE		
14.	1786801	EC BEARING SOFT CONE		
15.	6280313	EC SELF THREADING SCREW		
16.	1786710	EC TUBE BEARING (OUTER TUBE)		
17.	1215733	EC STIFFENING RING		
18.	1885702	EC SHORT CONE		
19.	1215735	EC STOP RING		
20.	1885709	EC SAFETY SLEEVE		
21.	1876902	EC OUTER TUBE SHIELD		
22.	1877902	EC INNER TUBE SHIELD		
23.	1786711	EC TUBE BEARING (INNER TUBE)		
24.	044321	DRIVELINE SHIELD SAFETY CHAIN		
25.	818-552C	DECAL DANGER PTO DRIVELINE		
26.	818-540C	DECAL DANGER GUARD MISS PTO		
27.	6560006	EC GREASE ZERK M6X1 STRAIGHT		
28.	1004225	EC PULL COLLAR KIT		
28.	1581036	EC PUSH-PIN KIT CV YOKES 1 3/8		

**Driveline Left & Right Hand Deck (826-145C) Eurocardan**

Applies to AFM4014 and AFM40168



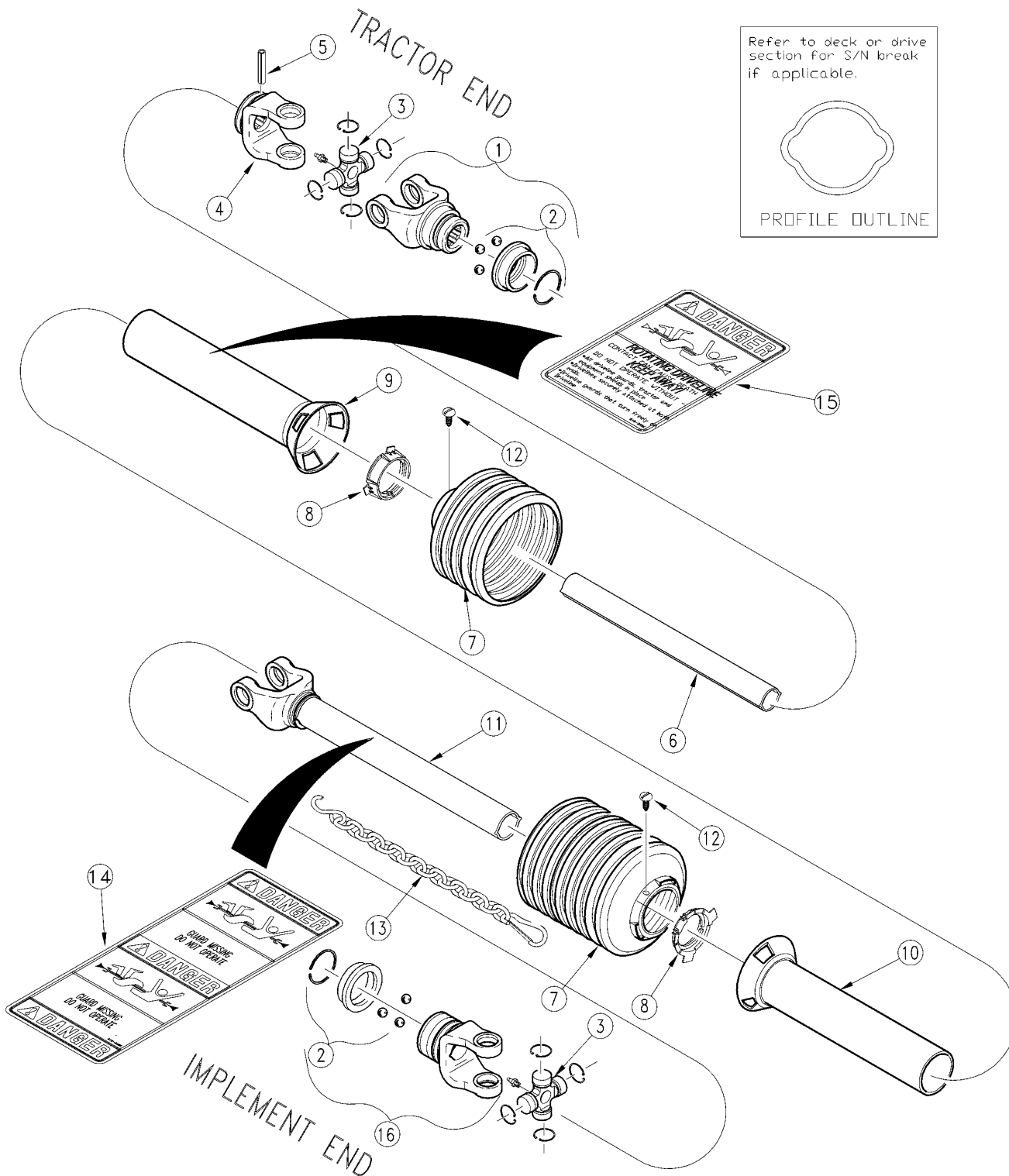
26855

**Driveline Left & Right Hand Deck (826-145C) Eurocardan****Applies to AFM4014 and AFM40168**

<b>Ref</b>	<b>Part No.</b>	<b>Part Description</b>	<b>Comments</b>	<b>Revision</b>
	dwg26855	Drawing Image Number		
	826-145C	PTO CAT. 3 X 27.95 W/O CLUTCH		
1.	1014012	EC YOKE ASSEMBLY		Rev. 2
1.	1014010	REP BY 1014012		Rev. 1
2.	1004020	EC CROSS ASSEMBLY		
3.	6330865	EC 8X65-DIN-1481 O/TUBE R/PIN		
4.	1704027	EC OUTER TUBE YOKE		
5.	1524057	EC TER TUBE		Rev. 2
5.	1534320	RPBY 1524057		Rev 1; Use up stock
6.	818-540C	DECAL DANGER GUARD MISS PTO		
7.	1784210	EC TUBE BEARING		Rev. 2
7.	1783016	RPBY 1784210		Rev 1; Use up stock
8.	1884201	EC OUTER TUBE RIGID CONE		Rev. 2
8.	1883230	RPBY 1884201		Rev 1; Use up stock
9.	1873049	EC OUTER TUBE		Rev. 2
9.	1884346	RPBY 1873049		Rev 1; Use up stock
10.	1884203	EC SOFT CONE		Rev. 2
10.	1883013	RPBY 1884203		Rev 1; Use up stock
11.	818-552C	DECAL DANGER PTO DRIVELINE		
12.	1872049	EC INNER TUBE		Rev. 2
12.	1774333	RPBY 1872049		Rev 1; Use up stock
13.	1884202	EC INNER TUBE RIGID CONE		Rev. 2
13.	1883231	RPBY 1884202		Rev 1; Use up stock
14.	044321	DRIVELINE SHIELD SAFETY CHAIN		
15.	1525057	EC INNER TUBE		Rev. 2
15.	1534306	RPBY 1525057		Rev 1; Use up stock
16.	1704029	EC INNER TUBE YOKE		
17.	1014012	EC YOKE ASSEMBLY		Rev. 2
17.	1114010	REP BY 1014012		Rev. 1
18.	1884205	EC SOFT LONG CONE		Rev. 2
18.	1883014	RPBY 1884205		Rev 1; Use up stock
19.	1004225	EC PULL COLLAR KIT		
20.	1004225	EC PULL COLLAR KIT		
21.	1004220	EC TWIST COLLAR KIT (TRT. END)		
22.	1004224	EC TWIST COLLAR KIT (IMP. END)		

# Driveline Left & Right Hand Deck (826-145C) Walterscheid

Applies to AFM4014 and AFM40168



14025

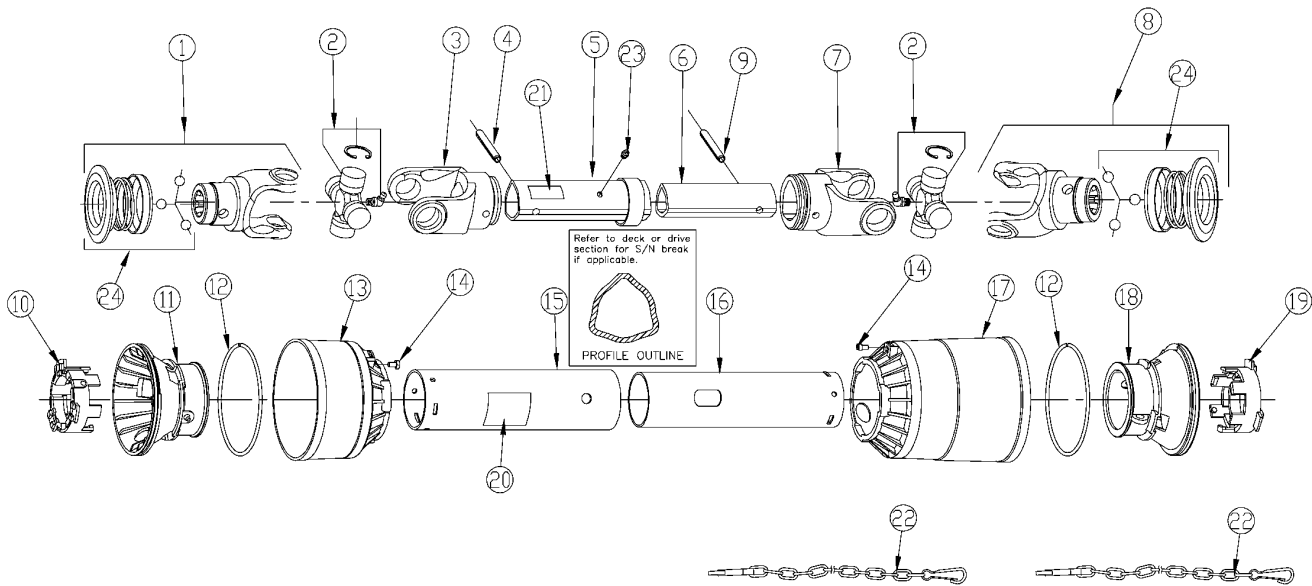


***Driveline Left & Right Hand Deck (826-145C) Walterscheid*****Applies to AFM4014 and AFM40168**

<b>Ref</b>	<b>Part No.</b>	<b>Part Description</b>	<b>Comments</b>	<b>Revision</b>
	dwg14025	Drawing Image Number		
	826-145C	PTO CAT. 3 X 27.95 W/O CLUTCH		
1.	196839	WS YOKE 1 3/8-6 SPL ASGE		
2.	390404	WS ASGE COLLAR KIT		Rev. 2
2.	381908	RPBY 390404		Rev 1; Use up stock
3.	044444	WS CROSS & BRG KIT		
4.	041576	WS INBOARD YOKE		
5.	020616	WS SPRING PIN		
6.	048950	WS INNER PROFILE 1b		
7.	377335	WS SHIELD CONE - 5 RIB		
8.	087276	WS BEARING RING - SC25		
9.	390486	WS OUTER SHIELD TUBE OVAL		
10.	382694	WS INNER SHIELD TUBE ROUND		
11.	053968	WS OUTER PROFILE 2a		
12.	365305	WS SCREW		
13.	044321	DRIVELINE SHIELD SAFETY CHAIN		
14.	818-540C	DECAL DANGER GUARD MISS PTO		
15.	818-552C	DECAL DANGER PTO DRIVELINE		
16.	041577	WS INBORD YOKE		

# Driveline Left & Right Hand Deck (826-374C) Eurocardan

Applies to AFM4014 and AFM40168

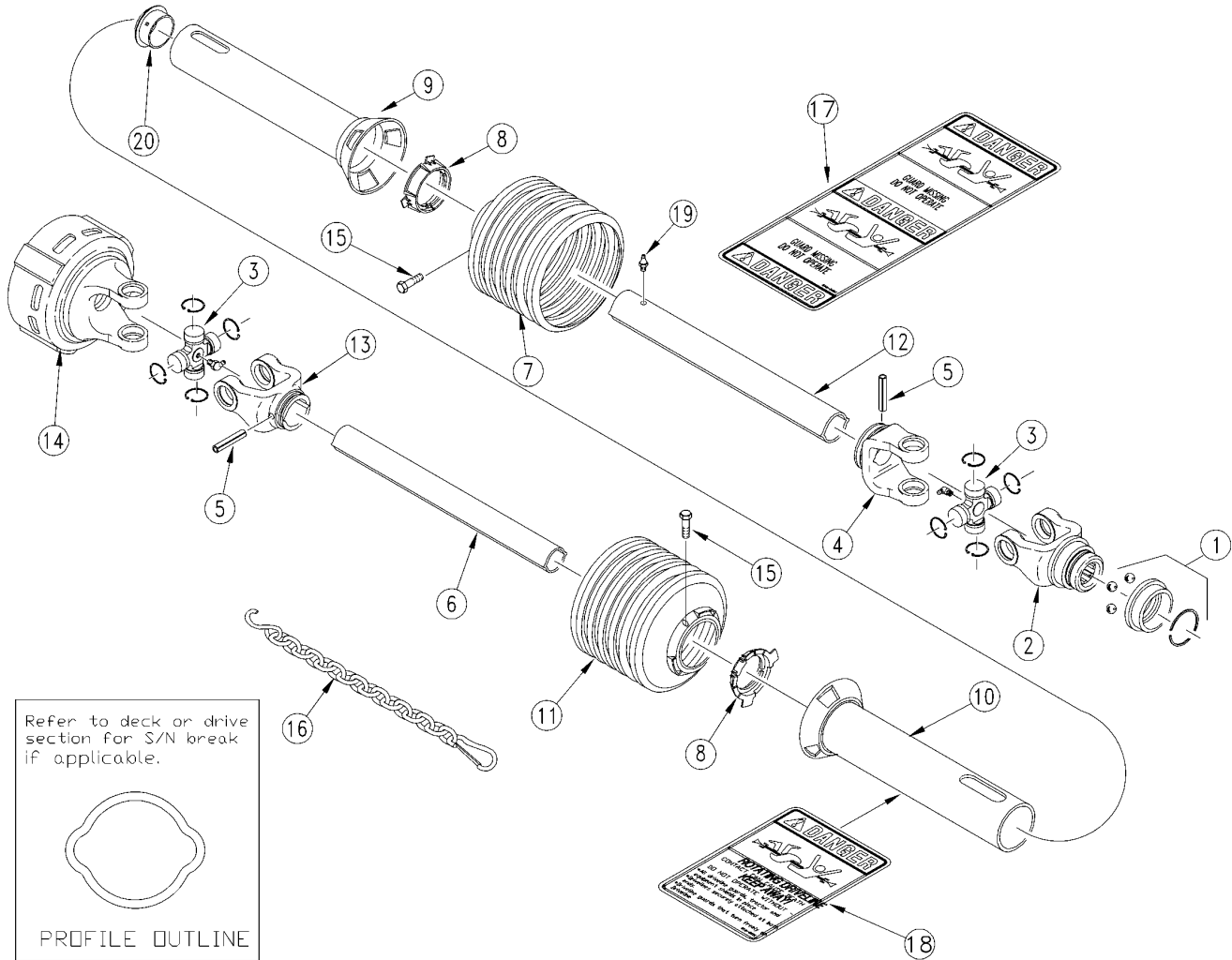


**Driveline Left & Right Hand Deck (826-374C) Eurocardan****Applies to AFM4014 and AFM40168**

<b>Ref</b>	<b>Part No.</b>	<b>Part Description</b>	<b>Comments</b>	<b>Revision</b>
	dwg22024	Drawing Image Number		
	826-374C	PTO CAT.2 X 35		
1.	1014113	EC YOKE ASSEMBLY		
2.	1004020	EC CROSS ASSEMBLY ( U JOINT)		
3.	1704027	EC OUTER TUBE YOKE		
4.	6330860	EC 08X60 1485DIN ROLL PIN		
5.	1524905	EC OUTER TUBE		
6.	1525057	EC INNER TUBE (1525095) 570MM		
7.	1704029	EC INNER TUBE YOKE		
8.	1014113	EC YOKE ASSEMBLY		
9.	6330855	EC 8X55-DIN-1481 O/TUBE R/PIN		
10.	1784210	EC TUBE BEARING		
11.	1884201	EC OUTER TUBE RIGID CONE		
12.	1213233	EC STIFFENING RING		
13.	1884203	EC SOFT CONE		
14.	1784212	EC PIN STOP ROTATION		
15.	1873905	EC OUTER TUBE SHIELD		
16.	1872905	EC INNER TUBE SHIELD		
17.	1884205	EC SOFT LONG CONE		
18.	1884202	EC INNER TUBE RIGID CONE		
19.	1784211	EC TUBE BEARING		
20.	818-552C	DECAL DANGER PTO DRIVELINE		
21.	818-540C	DECAL DANGER GUARD MISS PTO		
22.	044321	DRIVELINE SHIELD SAFETY CHAIN		
23.	6560006	EC GREASE ZERK M6X1 STRAIGHT		
24.	1004229	EC PULL COLLAR REPLACEMENT KIT		

**Driveline Left & Right Hand Deck W/Clutch (826-144C) Walterscheid**

Applies to AFM4014 and AFM40168



Refer to deck or drive section for S/N break if applicable.

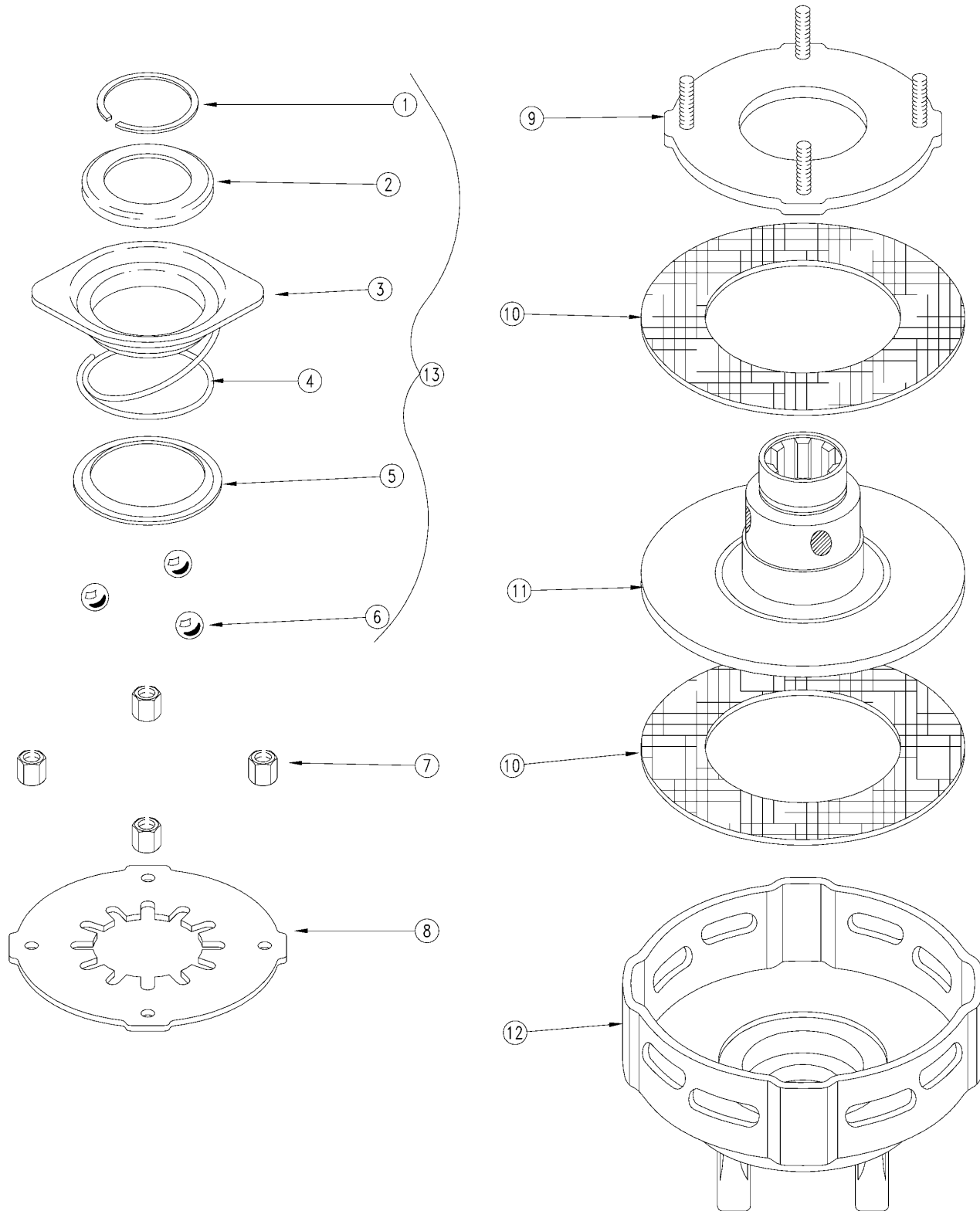
PROFILE OUTLINE

***Driveline Left & Right Hand Deck W/Clutch (826-144C) Walterscheid*****Applies to AFM4014 and AFM40168**

<b>Ref</b>	<b>Part No.</b>	<b>Part Description</b>	<b>Comments</b>	<b>Revision</b>
	dwg14028	Drawing Image Number		
	826-144C	PTO 2200 X 27.95 W/CLUTCH		
1.	390404	WS ASGE COLLAR KIT		
2.	196837	WS ASGE YOKE 1 3/8-6 SPL.		
3.	044439	WALTSCHEID CROSS & BRG KIT		
4.	041068	WS INBOARD YOKE		
5.	020614	WS SPRING PIN		
6.	052511	WS INNER PROFILE		
7.	377240	WS SHIELD CONE-10RIB		
8.	087279	WS BEARING RING		
9.	392044	WS INNER SHIELD RND.	(S/N 259230+)	Rev. 2 not compat. w/Rev. 1
9.	384954	RPBY 392044	(S/N 259229+)	Rev. 1
10.	392043	WS OUTER SHIELD OVL.	(S/N 259230+)	Rev. 2 not compat. w/Rev. 1
10.	386488	RPBY 392043	(S/N 259229+)	Rev. 1
11.	377234	WS SHIELD CONE-4 RIB		
12.	392042	WS OUTER PROFILE 1L	(S/N 259230+)	Rev. 2 not compat. w/Rev. 1
12.	086584	RPBY 392042	(S/N 259229+)	Rev. 1
13.	041065	WS INBOARD YOKE		
14.	053314	WS FRICTION CLUTCH		
15.	365305	WS SCREW		
16.	044321	DRIVELINE SHIELD SAFETY CHAIN		
17.	818-540C	DECAL DANGER GUARD MISS PTO		
18.	818-552C	DECAL DANGER PTO DRIVELINE		
19.	380371	WS ZERK	(S/N 259230+)	
20.	355154	WS SUPPORT BEARING	(S/N 259230+)	

# Driveline Slip Clutch (053314) Walterscheid

Applies to AFM4014 and AFM40168



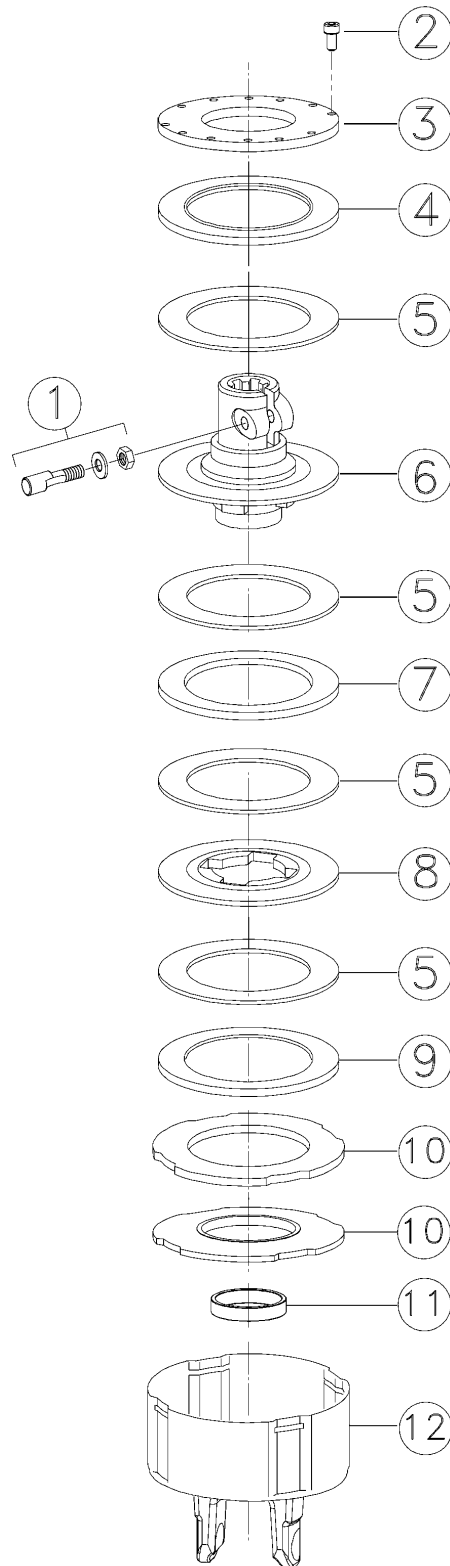
10600

***Driveline Slip Clutch (053314) Walterscheid*****Applies to AFM4014 and AFM40168**

<b>Ref</b>	<b>Part No.</b>	<b>Part Description</b>	<b>Comments</b>	<b>Revision</b>
	dwg10600	Drawing Image Number		
	053314	WS FRICTION CLUTCH		
1.	304149	WS SNAP RING		
2.	338531	WS FLANGED RING		
3.	045790	WS LOCK COLLAR		
4.	045793	WS COMPRESSION SPRNG		
5.	047825	WS BACK UP RING		
6.	020692	WS BALL		
7.	381957	WS HEX NUT M8		
8.	043489	WS BELLEVILLE SPRING	To increase NM to 650 use 2 ea 043487	
9.	381495	WS THRUST PLATE		
10.	168556	WS FRICTION DISK		
11.	051551	WS HUB 1 3/8-6 SPL		
12.	041180	WS CLUTCH HOUSING		
13.	341953	WS Q.D. FLG. KIT		

# Driveline Slip Clutch (1466305) Eurocardan

Applies to AFM4014 and AFM40168



23887

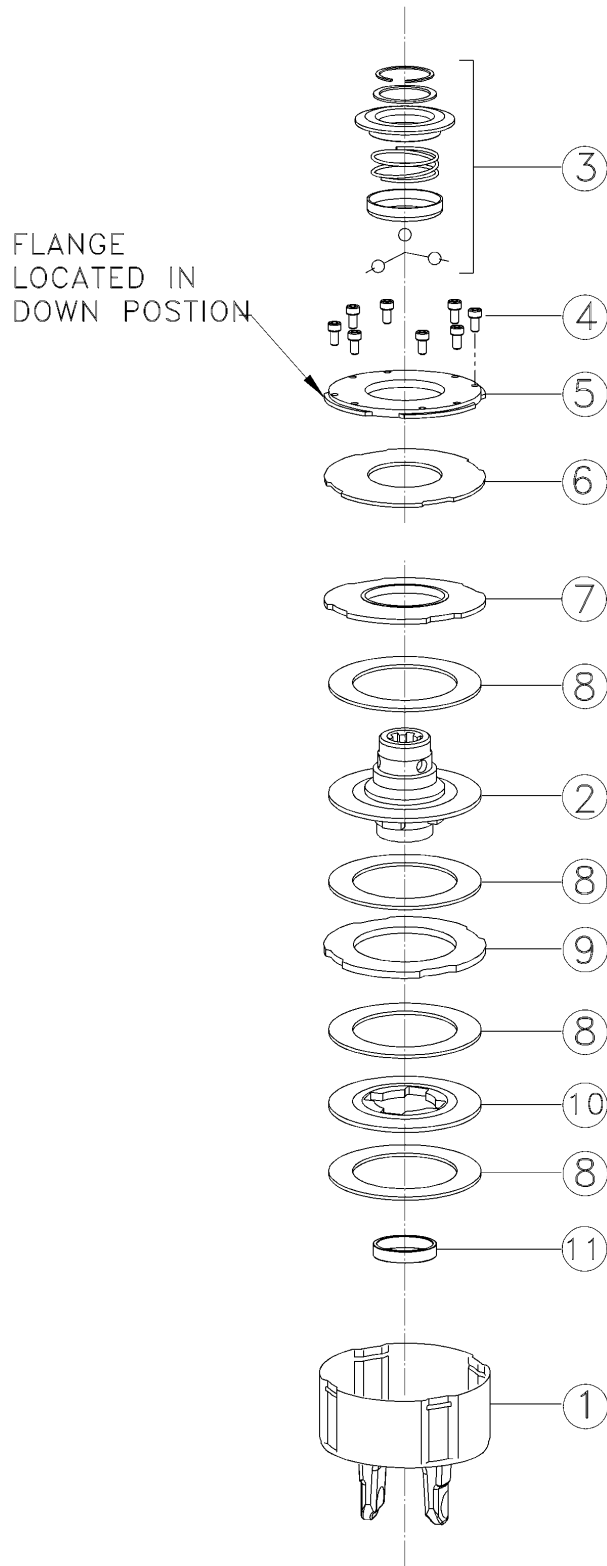


***Driveline Slip Clutch (1466305) Eurocardan*****Applies to AFM4014 and AFM40168**

<b>Ref</b>	<b>Part No.</b>	<b>Part Description</b>	<b>Comments</b>	<b>Revision</b>
	dwg23887 1466305	Drawing Image Number RPBY 1466607		
			EC CLUTCH (CLAMP TYPE SPLINE END)	
1.	6821279	EC CONICAL CLAMP KIT (1 3/8)		
2.	6041016	EC SCREW		
3.	1136007	EC CLOSURE FLANGE		
4.	1136008	EC INT. FLANGE		
5.	1806010	EC FRICTION DISC		
6.	1706065	EC HUB WITH FLANGE (1 3/8-6)		
7.	1136006	EC INTERMEDIARY FLANGE		
8.	1136010	EC HUB DISC		
9.	1136009	EC SPRING FLANGE		
10.	1216914	EC SPRING KIT (R1300Nm)		
10.	1216907	RPBY 1216914		
11.	1705009	EC CLUTCH BUSHING		
12.	1466000	EC OUTER BODY FOR BC		

### Driveline Slip Clutch (1466607) Eurocardan

Applies to AFM4014 and AFM40168



23890

***Driveline Slip Clutch (1466607) Eurocardan***

---

**Applies to AFM4014 and AFM40168**

<b>Ref</b>	<b>Part No.</b>	<b>Part Description</b>	<b>Comments</b>	<b>Revision</b>
	dwg23890	Drawing Image Number		
	1466607	EC CLUTCH BD4/6 1600Nm		
1.	1466001	EC OUTER BODY FOR BD4/6		
2.	1706085	EC HUB WITH FLANGE 1.38-6		
3.	1004225	EC PULL COLLAR KIT		
4.	6040816	EC SCREW M8 X 16		
5.	1134012	EC CLOSURE FLANGE		
6.	1216907	EC SPRING KIT (V1600Nm)		
7.	1134011	EC PRESSURE FLANGE		
8.	1806010	EC FRICTION DISC		
9.	1136008	EC INT. FLANGE		
10.	1136010	EC HUB DISC		
11.	1705009	EC CLUTCH BUSHING		

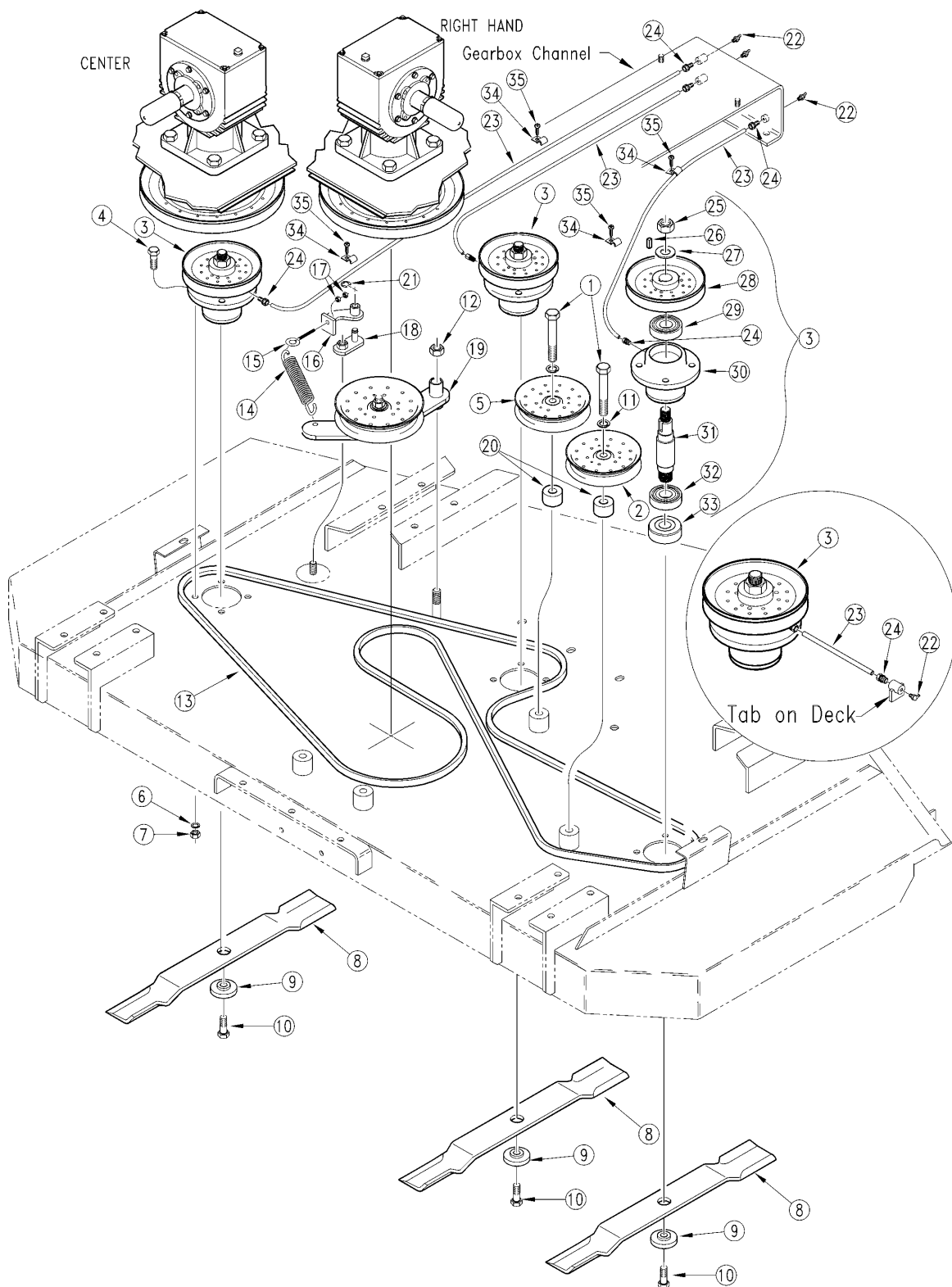


***Belt Drive Center and Right Hand Deck (S/N 212180-)*****Applies to AFM4014 and AFM40168**

<b>Ref</b>	<b>Part No.</b>	<b>Part Description</b>	<b>Comments</b>	<b>Revision</b>
	dwg13819	Drawing Image Number		
1.	315-176S	CCW SPDLE HUB ASSY 5PULL 9.8TB	Includes items 23 through 35	
2.	802-281C	HHCS 5/8-11X2 3/4 GR5		
3.	808-074C	V-IDLER PULLEY 5 O.D.		
4.	315-169S	CCW SPDLE HUB ASSY 5"PULL 3"TB	Includes items 23 through 32, 34, 35 & 36	
5.	802-229C	HHCS 7/16-20X1 1/2 GR8		
6.	808-073C	FLAT IDLE PULLEY 6 1/4 O.D.		
7.	804-014C	WASHER LOCK 7/16 PLT		
8.	803-115C	NUT HEX 7/16-20 PLT		
9.	890-377C	MWR BLD 5/16 X20 29/32SD LLCCW	Standard Low Lift Blades 3 per Deck	
9.	890-379C	MWR BLD 1/4 X20 29/32SD HL CCW	Optional High Lift Blades 3 per Deck	
9.	890-378C	MWR BLD 1/4 X20 29/32SD ML CCW	Optional Medium Lift Blades 3 per Deck	
9.	890-703C	MWR BLD MULCH 1/4X20.91SD CCW	Optional Mulch Blades 3 per Deck	
10.	804-110C	WASHER BLADE 2ODX.56THKX.51ID		
11.	804-022C	WASHER LOCK SPRING 5/8 PLT		
12.	803-119C	NUT LOCK 5/8-18 NYLOK COLLAR P		
13.	816-063C	V-BELT B144 146.9 E.L. KEVLAR		
14.	807-068C	SPRING EXT BELT HANDLE		
15.	802-567C	SP EYE 3/8-16X4	(S/N 174815+)	Rev. 2 not compat. w/Rev. 1
15.	802-233C	SP EYE 1/4-20X2 3/4	(S/N 174814-)	Rev. 1
16.	310-095H	SPRING EYE-BOLT BRACKET		
17.	803-014C	NUT HEX 3/8-16 PLT	(S/N 174815+)	Rev. 2 not compat. w/Rev. 1
17.	803-006C	NUT HEX 1/4-20 PLT	(S/N 174814-)	Rev. 1
18.	310-094H	OVER-CENTER LATCH-90		
19.	315-249S	40168 CCW BELT TAKE-UP HANDLE		
20.	315-563D	IDLER PULLEY SPACER-SHORT		
21.	800-099C	SNAP RING EXT 7/16		
22.	802-447C	HFS 1/2-20X1 1/4 LH GR5		
22.	802-696C	HFS 1/2-20X2 LH GR8		
23.	804-110C	WASHER BLADE 2ODX.56THKX.51ID		
24.	315-494D	BLADE HUB C.C.W.		
25.	315-493D	RPBY 310-352S		
26.	822-006C	BEARING 206		
27.	310-224D	BLADE HUB- MACH.-90		
28.	808-075C	B-GROOVE PULLEY 5 O.D.		
29.	172-242D	1/4 SQ. KEY X 7/8 LG		
30.	803-228C	NUT HEX 3/4-16LH NYLOC COLLAR		
31.	800-075C	ZERK 5/16-24 STRAIGHT #1711B		
32.	310-176D	72 CENTER GREASE TUBE		
33.	804-093C	WASHER FLAT 3/4 HARD ASTM F436		Rev. 2
33.	804-025C	WASHER FLAT 3/4 SAE PLT		Rev 1; Use up stock
34.	822-161C	BEARING 6206 W/ METAL SHIELD	(S/N 176350+)	Rev. 2
34.	822-006C	BEARING 206	(S/N 176349-)	Rev 1; Use up stock
35.	310-312D	LUBE FITTING 3" EXTENSION		

**Belt Drive Center and Right Hand Deck (S/N 212181+)**

Applies to AFM4014 and AFM40168



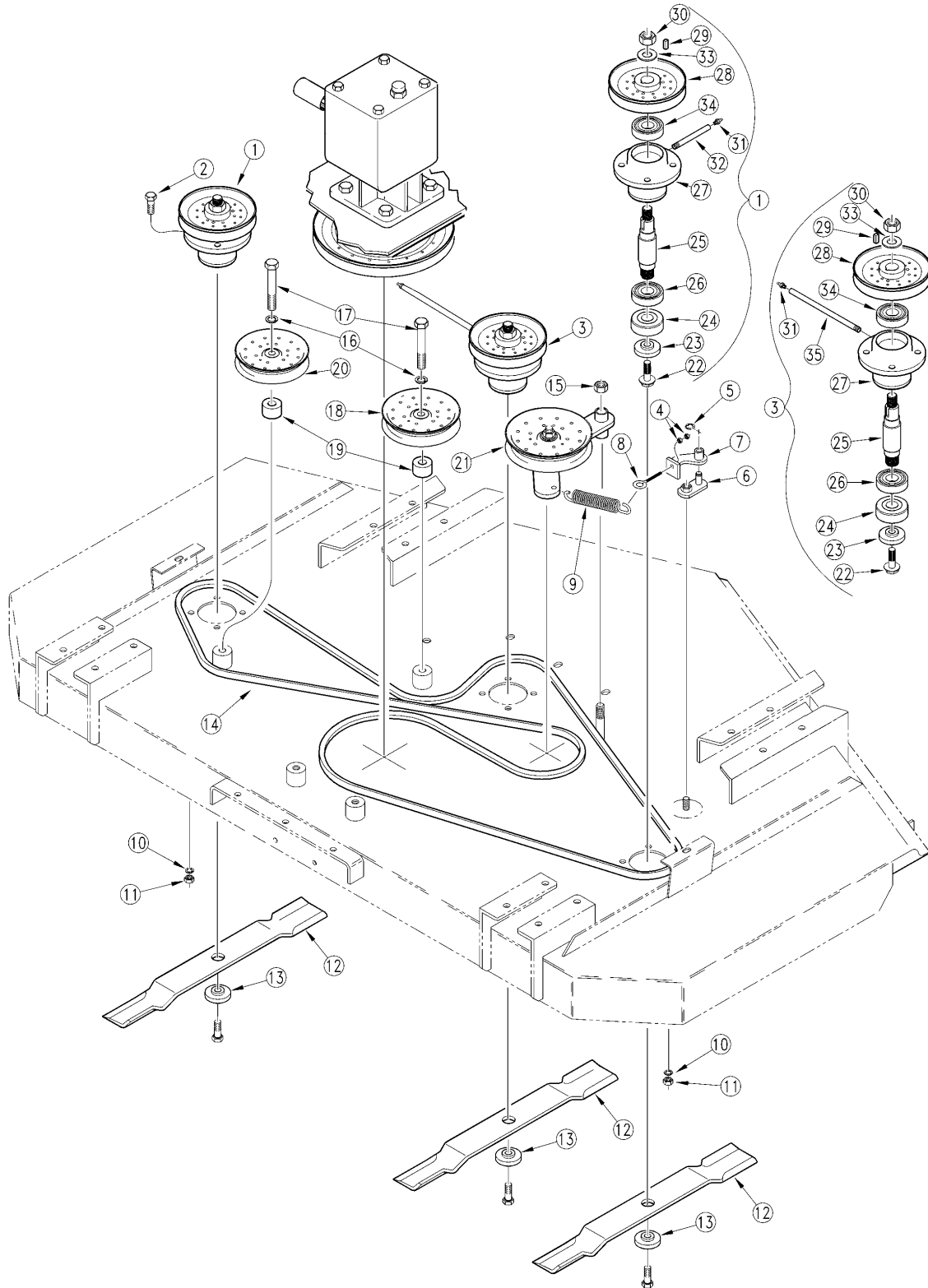
18085

**Belt Drive Center and Right Hand Deck (S/N 212181+)****Applies to AFM4014 and AFM40168**

Ref	Part No.	Part Description	Comments	Revision
	dwg18085	Drawing Image Number		
1.	802-281C	HHCS 5/8-11X2 3/4 GR5		
2.	808-074C	V-IDLER PULLEY 5 O.D.		
3.	315-377S	CCW SPINDLE HUB ASSEMBLY 5IN.	Includes items 24 through 33	
4.	802-229C	HHCS 7/16-20X1 1/2 GR8		
5.	808-073C	FLAT IDLE PULLEY 6 1/4 O.D.		
6.	804-014C	WASHER LOCK 7/16 PLT		
7.	803-115C	NUT HEX 7/16-20 PLT		
8.	890-377C	MWR BLD 5/16 X20 29/32SD LLCCW	Standard Low Lift Blades 3 per Deck	
8.	890-379C	MWR BLD 1/4 X20 29/32SD HL CCW	Optional High Lift Blades 3 per Deck	
8.	890-378C	MWR BLD 1/4 X20 29/32SD ML CCW	Optional Medium Lift Blades 3 per Deck	
8.	890-703C	MWR BLD MULCH 1/4X20.91SD CCW	Optional Mulch Blades 3 per Deck	
9.	804-110C	WASHER BLADE 20DX.56THKX.51ID		
10.	802-696C	HFS 1/2-20X2 LH GR8	(S/N 329661+)	Rev. 2 not compat. w/Rev. 1
10.	802-447C	HFS 1/2-20X1 1/4 LH GR5	(S/N 329660-)	Rev. 1
11.	804-022C	WASHER LOCK SPRING 5/8 PLT		
12.	803-119C	NUT LOCK 5/8-18 NYLOK COLLAR P		
13.	816-063C	V-BELT B144 146.9 E.L. KEVLAR		
14.	807-068C	SPRING EXT BELT HANDLE		
15.	802-567C	SP EYE 3/8-16X4		
16.	310-095H	SPRING EYE-BOLT BRACKET		
17.	803-014C	NUT HEX 3/8-16 PLT		
18.	310-094H	OVER-CENTER LATCH-90		
19.	315-249S	40168 CCW BELT TAKE-UP HANDLE		
20.	315-563D	IDLER PULLEY SPACER-SHORT		
21.	800-099C	SNAP RING EXT 7/16		
22.	800-130C	GREASE ZERK STRAIGHT 1/8-27NPT	(S/N 239258+)	Rev. 2 not compat. w/Rev. 1
22.	800-193C	GREASE ZERK 1/8NPT 45-DEG	(S/N 239257-)	Rev. 1
23.	990-109R	TUBE NYLON 1/4OD X 062WL	Order Per Foot as Required	
24.	800-157C	FTG TUBE,CONNECTOR 1/8 MNPT		
25.	803-228C	NUT HEX 3/4-16LH NYLOC COLLAR		
26.	172-242D	1/4 SQ. KEY X 7/8 LG		
27.	804-093C	WASHER FLAT 3/4 HARD ASTM436		
28.	808-075C	B-GROOVE PULLEY 5 O.D.		
29.	822-161C	BEARING 6206 W/ METAL SHIELD		
30.	310-224D	BLADE HUB - MACH		
31.	310-636D	BLADE SPINDLE SHAFT CCW	(S/N 329661+)	Rev. 2 not compat. w/Rev. 1
31.	315-493D	RPBY 310-352S	(S/N 329660-)	Rev. 1
32.	822-006C	BEARING 206		
33.	315-494D	BLADE HUB C.C.W.		
34.	890-266C	HALF-CLIP 5/16 DIA. HOSE	(S/N 239258+)	
35.	801-032C	SCREW HEX SELF-TAP 1/4-20X 1/2	(S/N 239258+)	

**Belt Drive Left Hand Deck (S/N 212180-)**

Applies to AFM4014 and AFM40168



13818

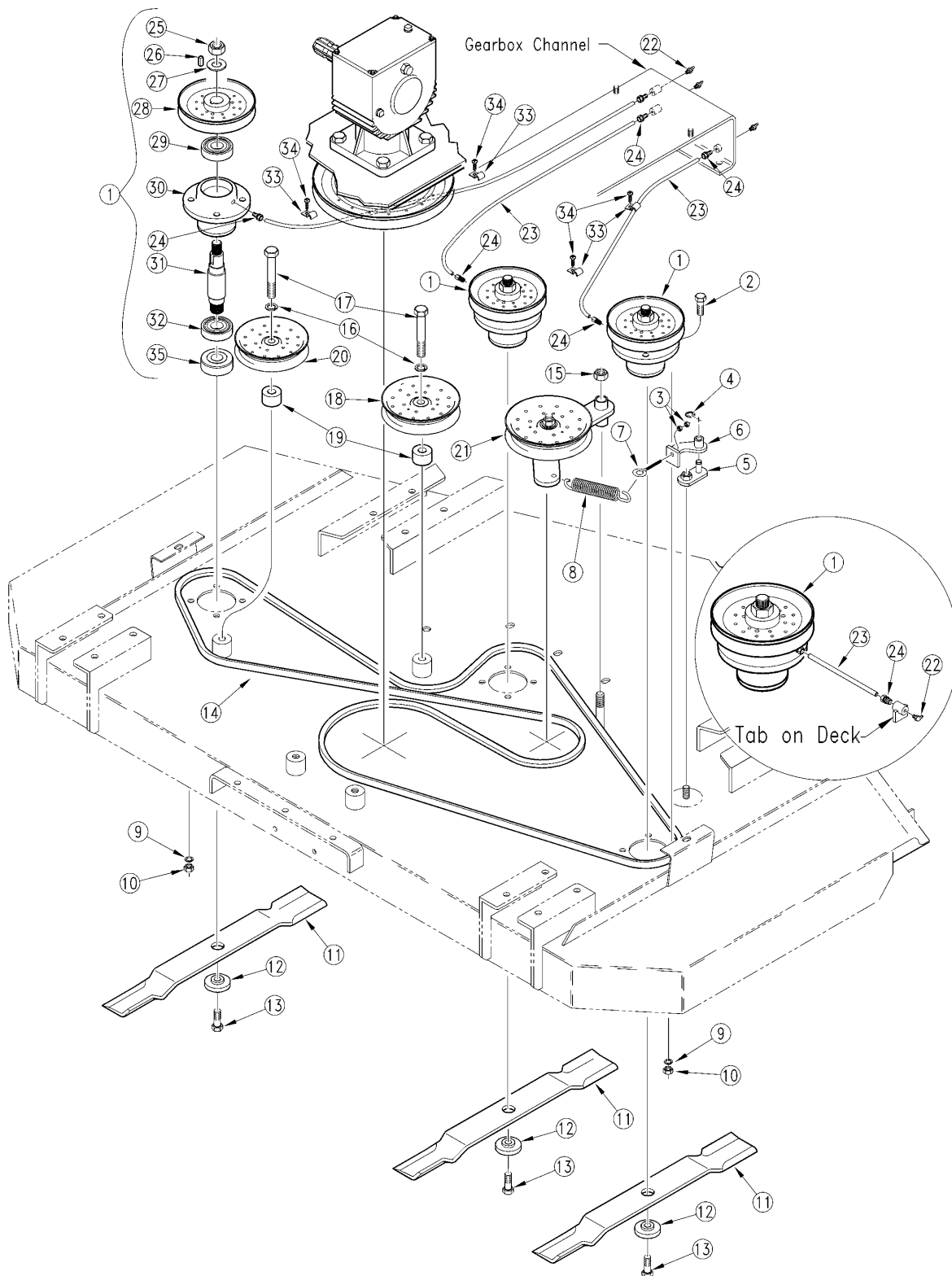


**Belt Drive Left Hand Deck (S/N 212180-)****Applies to AFM4014 and AFM40168**

Ref	Part No.	Part Description	Comments	Revision
	dwg13818	Drawing Image Number		
1.	310-132S	CW SPDLE HUB ASSY 5"PULL 3"TB	Includes items 24 through 36	
2.	802-229C	HHCS 7/16-20X1 1/2 GR8		
3.	310-139S	CW SPDLE HUB ASSY 5"PULL 9.8TB	Includes items 23 through 32, 34, 35 & 36	
4.	803-014C	NUT HEX 3/8-16 PLT	(S/N 174815+)	Rev. 2 not compat. w/Rev. 1
4.	803-006C	NUT HEX 1/4-20 PLT	(S/N 174814-)	Rev. 1
5.	800-099C	SNAP RING EXT 7/16		
6.	310-094H	OVER-CENTER LATCH-90		
7.	310-095H	SPRING EYE-BOLT BRACKET		
8.	802-567C	SP EYE 3/8-16X4	(S/N 174815+)	Rev. 2 not compat. w/Rev. 1
8.	802-233C	SP EYE 1/4-20X2 3/4	(S/N 174814-)	Rev. 1
9.	807-068C	SPRING EXT BELT HANDLE		
10.	804-014C	WASHER LOCK 7/16 PLT		
11.	803-115C	NUT HEX 7/16-20 PLT		
12.	890-204C	MWR BLD 5/16X20 29/32SD LL CW	Standard Low Lift Blades 3 per Deck	
12.	890-171C	MWR BLD 1/4 X 20 29/32SD HL CW	Optional High Lift Blades 3 per Deck	
12.	890-375C	MWR BLD 1/4 X 20 29/32SD ML CW	Optional Medium Lift Blades 3 per Deck	
12.	890-702C	MWR BLD MULCH 1/4X20.91SD CW	Optional Mulch Blades 3 per Deck	
13.	804-110C	WASHER BLADE 2ODX.56THKX.51ID		
14.	816-063C	V-BELT B144 146.9 E.L. KEVLAR		
15.	803-119C	NUT LOCK 5/8-18 NYLOK COLLAR P		
16.	804-022C	WASHER LOCK SPRING 5/8 PLT		
17.	802-281C	HHCS 5/8-11X2 3/4 GR5		
18.	808-073C	FLAT IDLE PULLEY 6 1/4 O.D.		
19.	315-563D	IDLER PULLEY SPACER-SHORT		
20.	808-074C	V-IDLER PULLEY 5 O.D.		
21.	315-248S	40168 CW BELT TAKE-UP HANDLE		
22.	802-384C	HFS 1/2-20X1 1/4 GR5		
22.	802-695C	HFS 1/2-20X2 GR8		
23.	804-110C	WASHER BLADE 2ODX.56THKX.51ID		
24.	310-300D	BLADE HUB		
25.	310-361D	REP BY 310-348S		
26.	822-006C	BEARING 206		
27.	310-224D	BLADE HUB- MACH.-90		
28.	808-075C	B-GROOVE PULLEY 5 O.D.		
29.	172-242D	1/4 SQ. KEY X 7/8 LG		
30.	803-114C	NUT LOCK 3/4-16 NYLOC COLLAR		
31.	800-075C	ZERK 5/16-24 STRAIGHT #1711B		
32.	310-312D	LUBE FITTING 3" EXTENSION		
33.	804-093C	WASHER FLAT 3/4 HARD ASTM436		Rev. 2
33.	804-025C	WASHER FLAT 3/4 SAE PLT		Rev 1; Use up stock
34.	822-161C	BEARING 6206 W/ METAL SHIELD	(S/N 176350+)	Rev. 2
34.	822-006C	BEARING 206	(S/N 176349-)	Rev 1; Use up stock
35.	310-176D	72 CENTER GREASE TUBE		

**Belt Drive Left Hand Deck (S/N 212181+)**

Applies to AFM4014 and AFM40168



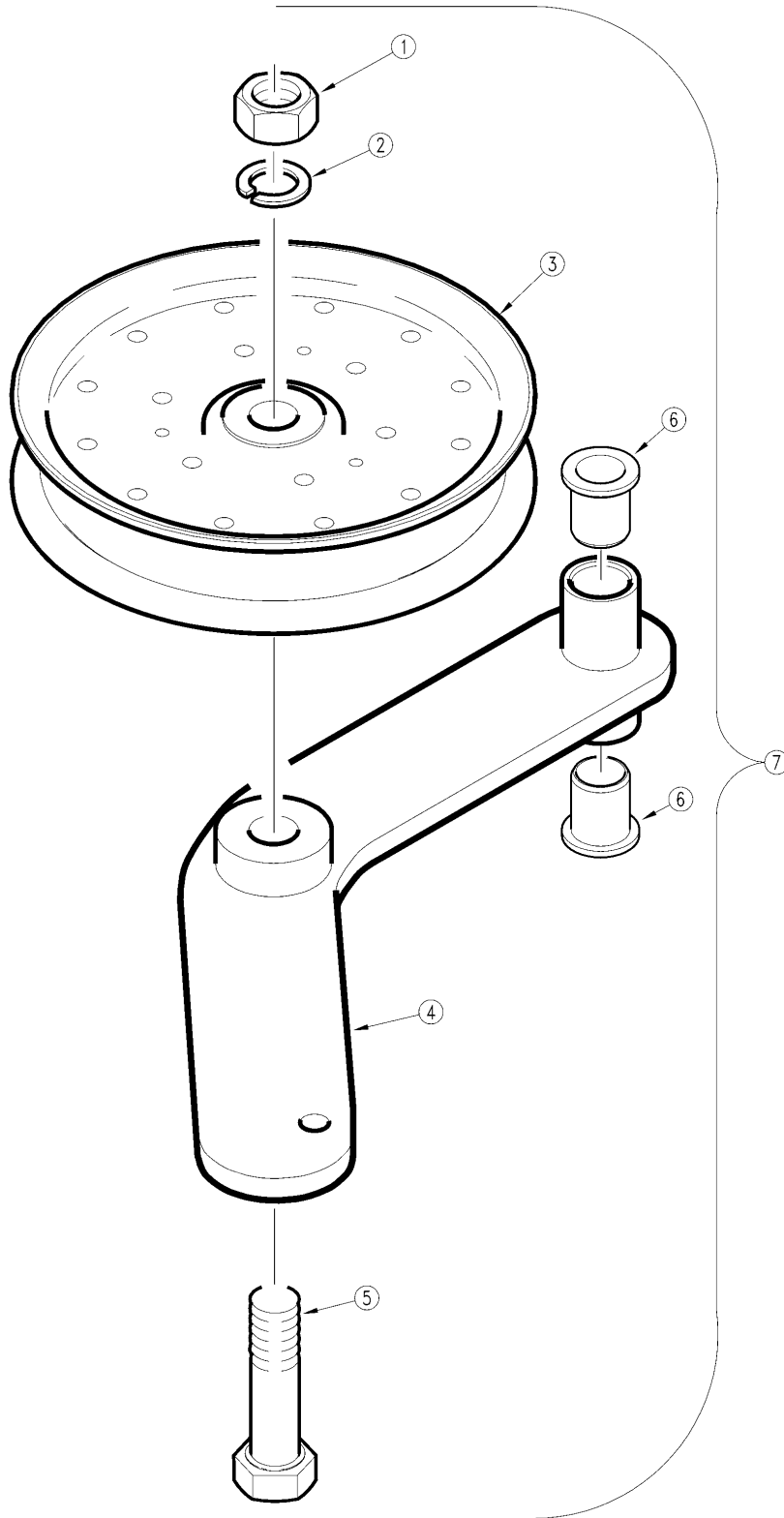
18084

***Belt Drive Left Hand Deck (S/N 212181+)*****Applies to AFM4014 and AFM40168**

<b>Ref</b>	<b>Part No.</b>	<b>Part Description</b>	<b>Comments</b>	<b>Revision</b>
	dwg18084	Drawing Image Number		
1.	315-375S	CW SPINDLE HUB ASSEMBLY 5IN.	Includes items 24 through 32	
2.	802-229C	HHCS 7/16-20X1 1/2 GR8		
3.	803-014C	NUT HEX 3/8-16 PLT		
4.	800-099C	SNAP RING EXT 7/16		
5.	310-094H	OVER-CENTER LATCH-90		
6.	310-095H	SPRING EYE-BOLT BRACKET		
7.	802-567C	SP EYE 3/8-16X4		
8.	807-068C	SPRING EXT BELT HANDLE		
9.	804-014C	WASHER LOCK 7/16 PLT		
10.	803-115C	NUT HEX 7/16-20 PLT		
11.	890-204C	MWR BLD 5/16X20 29/32SD LL CW	Standard Low Lift Blades 3 per Deck	
11.	890-171C	MWR BLD 1/4 X 20 29/32SD HL CW	Optional High Lift Blades 3 per Deck	
11.	890-375C	MWR BLD 1/4 X 20 29/32SD ML CW	Optional Medium Lift Blades 3 per Deck	
11.	890-702C	MWR BLD MULCH 1/4X20.91SD CW	Optional Mulch Blades 3 per Deck	
12.	804-110C	WASHER BLADE 2ODX.56THKX.51ID		
13.	802-695C	HFS 1/2-20X2 GR8	(S/N 329661+)	Rev. 2 not compat. w/Rev. 1
13.	802-384C	HFS 1/2-20X1 1/4 GR5	(S/N 329660-)	Rev. 1
14.	816-063C	V-BELT B144 146.9 E.L. KEVLAR		
15.	803-119C	NUT LOCK 5/8-18 NYLOK COLLAR P		
16.	804-022C	WASHER LOCK SPRING 5/8 PLT		
17.	802-281C	HHCS 5/8-11X2 3/4 GR5		
18.	808-073C	FLAT IDLE PULLEY 6 1/4 O.D.		
19.	315-563D	IDLER PULLEY SPACER-SHORT		
20.	808-074C	V-IDLER PULLEY 5 O.D.		
21.	315-248S	40168 CW BELT TAKE-UP HANDLE		
22.	800-130C	GREASE ZERK STRAIGHT 1/8-27NPT	(S/N 239258+)	Rev. 2 not compat. w/Rev. 1
22.	800-193C	GREASE ZERK 1/8NPT 45-DEG	(S/N 239257-)	Rev. 1
23.	990-109R	TUBE NYLON 1/4OD X 062WL	Order Per Foot as Required	
24.	800-157C	FTG TUBE,CONNECTOR 1/8 MNPT		
25.	803-114C	NUT LOCK 3/4-16 NYLOC COLLAR		
26.	172-242D	1/4 SQ. KEY X 7/8 LG		
27.	804-093C	WASHER FLAT 3/4 HARD ASTM F436		
28.	808-075C	B-GROOVE PULLEY 5 O.D.		
29.	822-161C	BEARING 6206 W/ METAL SHIELD		
30.	310-224D	BLADE HUB - MACH		
31.	310-348S	SPDL 310-637D CW W/BOLT	Includes item 13	
31.	310-361D	REP BY 310-348S		
32.	822-006C	BEARING 206		
33.	890-266C	HALF-CLIP 5/16 DIA. HOSE	(S/N 239258+)	
34.	801-032C	SCREW HEX SELF-TAP 1/4-20X 1/2	(S/N 239258+)	
35.	310-300D	BLADE HUB - 7/8 (PLATED)		

# Belt Take-Up Handle

Applies to AFM4014 and AFM40168



14023

***Belt Take-Up Handle***

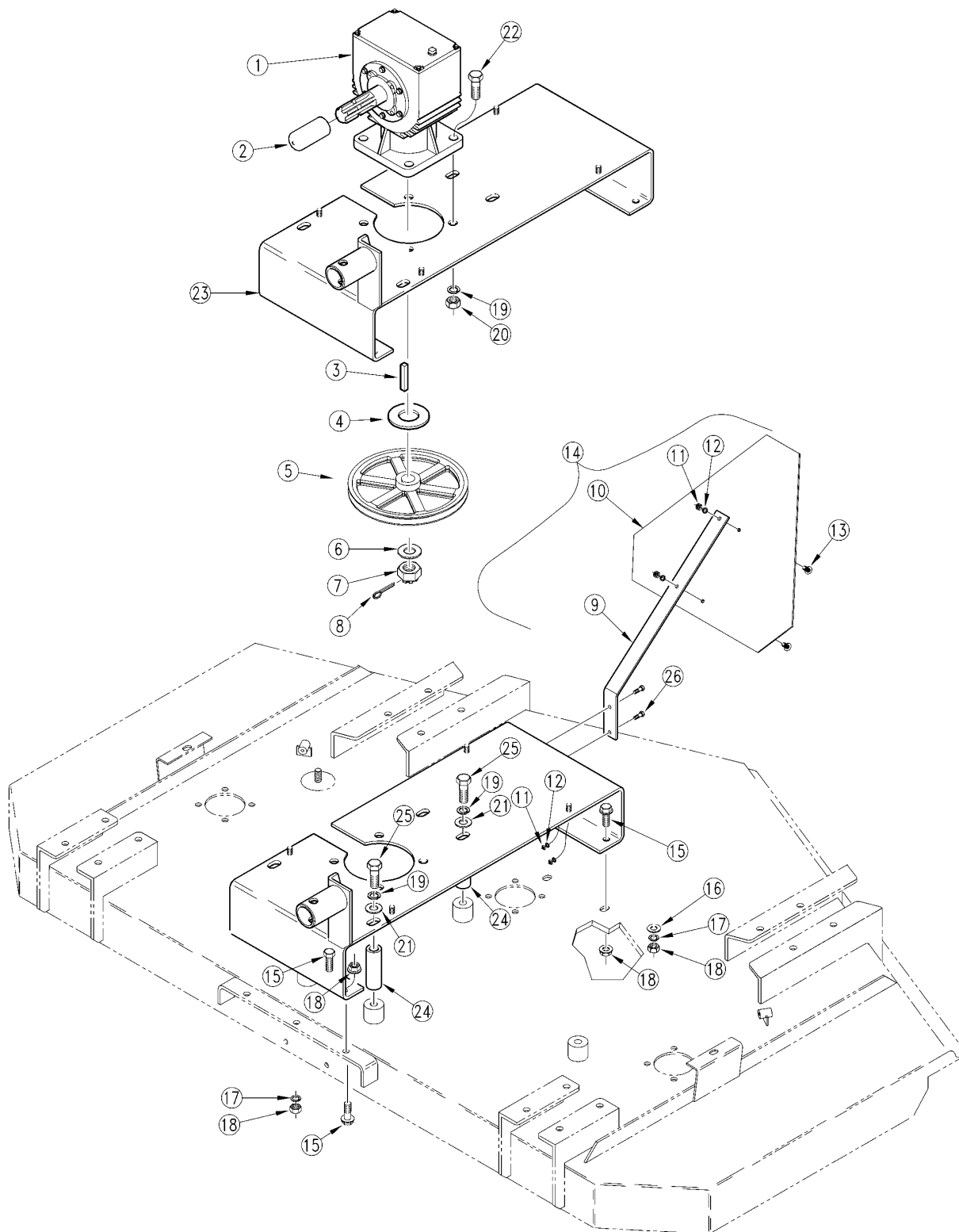
---

**Applies to AFM4014 and AFM40168**

<b>Ref</b>	<b>Part No.</b>	<b>Part Description</b>	<b>Comments</b>	<b>Revision</b>
	dwg14023	Drawing Image Number		
1.	803-022C	NUT HEX 5/8-18 PLT		
2.	804-022C	WASHER LOCK SPRING 5/8 PLT		
3.	808-073C	FLAT IDLE PULLEY 6 1/4 O.D.		
4.	315-103H	CW BELT TAKE-UP HANDLE		
4.	315-199H	CCW BELT TAKE-UP HANDLE		
5.	802-239C	HHCS 5/8-18X2 1/2 GR5		
6.	817-028C	DOUBLE DISK ARM PIVOT BUSHINGS		
7.	315-248S	40168 CW BELT TAKE-UP HANDLE		
7.	315-249S	40168 CCW BELT TAKE-UP HANDLE		

# Channel Center Deck

Applies to AFM4014 and AFM40168



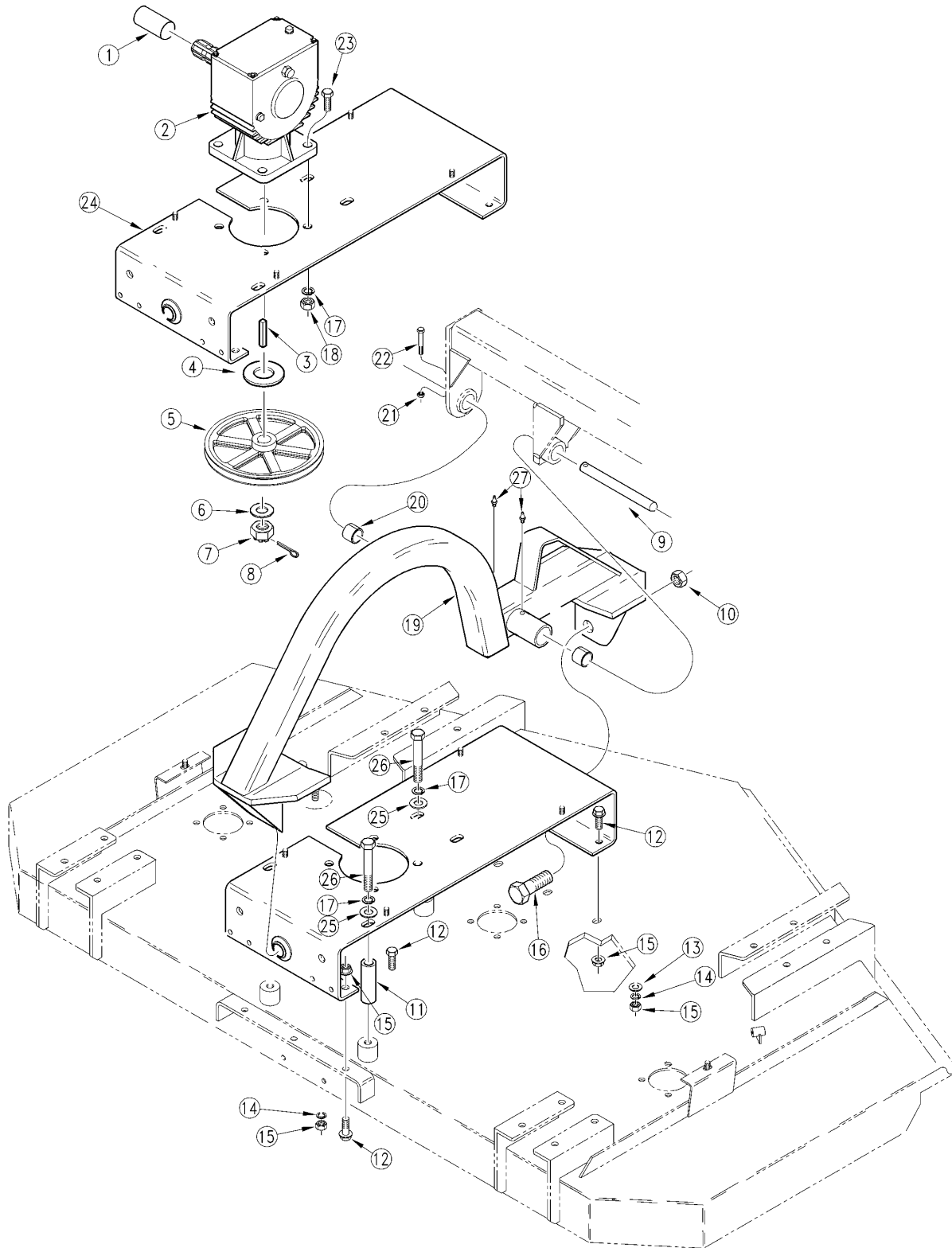
16534

**Channel Center Deck****Applies to AFM4014 and AFM40168**

Ref	Part No.	Part Description	Comments	Revision
	dwg16534	Drawing Image Number		
1.	826-327C	GBOX MOWER 50 HP 1:2.8 CCW	(S/N 368118+)	Rev. 4
1.	826-327C81	GBOX MOWER 50 HP 1:2.8 CCW GREEN		
1.	826-327C82	GBOX MOWER 50 HP 1:2.8 CCW ORANGE		
1.	826-327C83	GBOX MOWER 50 HP 1:2.8 CCW RED		
1.	826-327C84	GBOX MOWER 50 HP 1:2.8 CCW BLUE		
1.	826-295C	RPBY 826-327C	(S/N 211887 to 368117)	Rev. 3
1.	826-205C	REP BY 826-295C	(S/N 211887 to 368117)	Rev. 2
1.	826-122C	RPBY 826-205C	(S/N 211886-)	Rev. 1
2.	817-050C	GEARBOX SHAFT PROTECTOR	(S/N 220346-)	
3.	310-331D	KEY 1/4" X 11/16" LONG		
4.	310-041D	GEAR BOX SPACER	(S/N 211744-)	
5.	808-335C	B-GROOVE PULLEY 11" CAST-IRON	(S/N 355464+)	Rev. 2
5.	808-126C	B-GROOVE DRIVE PULLEY 11 O.D.	(S/N 355464-)	Rev 1; Use up stock
6.	804-029C	WASHER FLAT 1 SAE PLT		
7.	11-007	ITG 1"-14 SLOTTED HEX NUT		
7.	8.2.2.01144	NUT M 24 X 2		
8.	805-017C	PIN COTTER 3/16 X 1 3/4 PLT		
9.	807-176C	SMV MOUNT BAR SPRING STEEL		Rev. 2
9.	315-478D	SMV MOUNT BAR		Rev 1; Use up stock
10.	818-055C	DECAL SLOW MOVING-GALV. BACKED		
11.	803-293C	NUT HEX FLANGE LOCK 1/4-20 PLT		Rev. 2
11.	803-005C	NUT SQ 1/4-20 PLT		Rev 1; Use up stock
12.	804-006C	WASHER LOCK SPRING 1/4 PLT	Not required with lock nut	
13.	801-018C	SCREW RD HD 1/4-20 X 5/8		
14.	315-037V	SMV PACKAGE	Includes items 10 through 14	
15.	802-203C	HFSS 1/2-13X1 1/2 GR5	(S/N 286810+)	Rev. 2 not compat. w/Rev. 1
15.	802-091C	HHCS 1/2-13X1 1/2 GR5	(S/N 286809-)	Rev. 1
16.	804-016C	WASHER FLAT 1/2 SAE PLT	(S/N 286809-)	
17.	804-015C	WASHER LOCK SPRING 1/2 PLT	(S/N 286809-)	
18.	803-037C	NUT HEX WHIZ 1/2-13 PLT	(S/N 286810+)	Rev. 2 not compat. w/Rev. 1
18.	803-020C	NUT HEX 1/2-13 PLT	(S/N 286809-)	Rev. 1
19.	804-022C	WASHER LOCK SPRING 5/8 PLT		
20.	803-022C	NUT HEX 5/8-18 PLT		
21.	804-021C	WASHER FLAT 5/8 SAE PLT		
22.	802-246C	HHCS 5/8-18X1 3/4 GR5		
23.	315-280H	168 CEN. GEAR BOX CHANNEL	(S/N 176350+)	Rev. 2 not compat. w/Rev. 1
23.	315-280H81	168 CEN. GEAR BOX CHANNEL GREEN		
23.	315-280H82	168 CEN. GEAR BOX CHANNEL ORANGE		
23.	315-280H83	168 CEN. GEAR BOX CHANNEL RED		
23.	315-280H84	168 CEN. GEAR BOX CHANNEL BLUE		
23.	315-239H	40168 CEN. G.B. CHANNEL WELD	(S/N 176349-)	Rev. 1
24.	315-562D	GEAR BOX CHANNEL SPACER		
25.	802-100C	HHCS 5/8-11X4 1/2 GR5		
26.	802-005C	HHCS 1/4-20X1 GR5		

# Channel Left Hand Deck

Applies to AFM4014 and AFM40168



16535

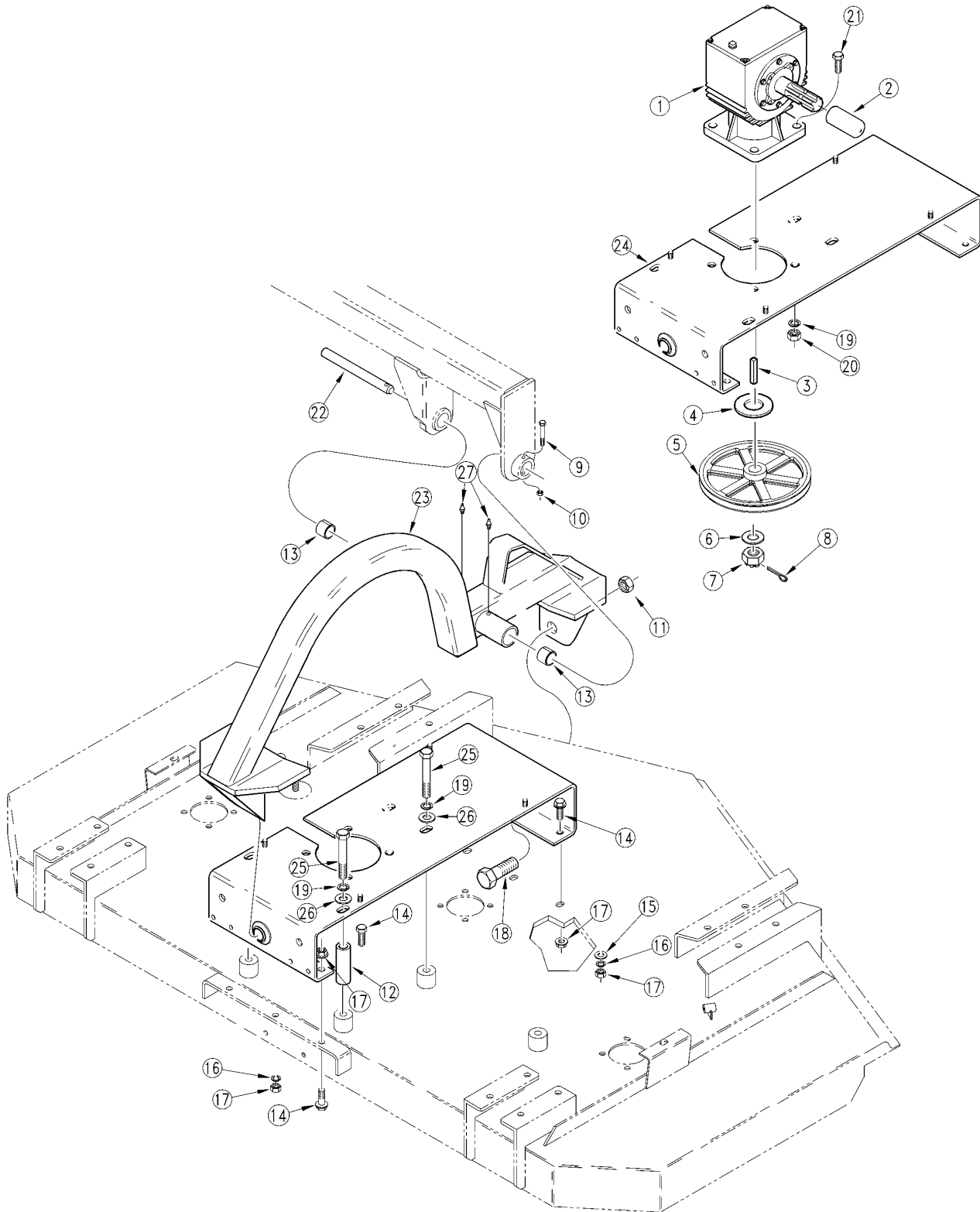


**Channel Left Hand Deck****Applies to AFM4014 and AFM40168**

Ref	Part No.	Part Description	Comments	Revision
	dwg16535	Drawing Image Number		
1.	817-050C	GEARBOX SHAFT PROTECTOR	(S/N 220346-)	
2.	826-326C	GBOX MOWER 50 HP 1:2.8 CW	(S/N 368118+)	Rev. 4
2.	826-326C81	GBOX MOWER 50 HP 1:2.8 CW GREEN		
2.	826-326C82	GBOX MOWER 50 HP 1:2.8 CW ORANGE		
2.	826-326C83	GBOX MOWER 50 HP 1:2.8 CW RED		
2.	826-326C84	GBOX MOWER 50 HP 1:2.8 CW BLUE		
2.	826-296C	REP BY 826-326C	(S/N 211887 to 368117)	Rev. 3
2.	826-206C	REP BY 826-296C	(S/N 211887 to 368117)	Rev. 2
2.	826-121C	RPBY 826-206C	(S/N 211886-)	Rev. 1
3.	310-331D	KEY 1/4" X 11/16" LONG		
4.	310-041D	GEAR BOX SPACER	(S/N 211744-)	
5.	808-335C	B-GROOVE PULLEY 11" CAST-IRON	(S/N 355464+)	Rev. 2
5.	808-126C	B-GROOVE DRIVE PULLEY 11 O.D.	(S/N 355464-)	Rev. 1; Use up stock
6.	804-029C	WASHER FLAT 1 SAE PLT		
7.	11-007	ITG 1"-14 SLOTTED HEX NUT		
7.	8.2.2.01144	NUT M 24 X 2		
8.	805-017C	PIN COTTER 3/16 X 1 3/4 PLT		
9.	315-566D	40200 FLEX ARM PIVOT PIN		
10.	803-038C	NUT HEX 1-8 NYLON INSERT PLT		
11.	315-562D	GEAR BOX CHANNEL SPACER		
12.	802-203C	HFSS 1/2-13X1 1/2 GR5	(S/N 286810+)	Rev. 2 not compat. w/Rev. 1
12.	802-091C	HHCS 1/2-13X1 1/2 GR5	(S/N 286809-)	Rev. 1
13.	804-016C	WASHER FLAT 1/2 SAE PLT	(S/N 286809-)	
14.	804-015C	WASHER LOCK SPRING 1/2 PLT	(S/N 286809-)	
15.	803-037C	NUT HEX WHIZ 1/2-13 PLT		Rev. 2 not compat. w/Rev. 1
15.	803-020C	NUT HEX 1/2-13 PLT	(S/N 286809-)	Rev. 1
16.	802-345C	HHCS 1-8X3 GR8		
17.	804-022C	WASHER LOCK SPRING 5/8 PLT		
18.	803-022C	NUT HEX 5/8-18 PLT		
19.	315-234H	40168 WING DECK FLEX ARM		
19.	315-234H81	40168 WING DECK FLEX ARM GREEN		
19.	315-234H82	40168 WING DECK FLEX ARM ORANGE		
19.	315-234H83	40168 WING DECK FLEX ARM RED		
19.	315-234H84	40168 WING DECK FLEX ARM BLUE		
20.	890-122C	BUSHING 1 1/2 X 1 1/4 X 1 1/2		
21.	803-007C	NUT LOCK 1/4-20 PLT		
22.	802-097C	HHCS 1/4-20X2 1/2 GR5		Rev. 2
22.	802-152C	HHCS 1/4-20X2 GR5		Rev. 1; Use up stock
23.	802-246C	HHCS 5/8-18X1 3/4 GR5		
24.	315-279H	168 WING GEAR BOX CHANNEL	(S/N 176350+)	Rev. 2 not compat. w/Rev. 1
24.	315-279H81	168 WING GEAR BOX CHANNEL GREEN		
24.	315-279H82	168 WING GEAR BOX CHANNEL ORANGE		
24.	315-279H83	168 WING GEAR BOX CHANNEL RED		
24.	315-279H84	168 WING GEAR BOX CHANNEL BLUE		
24.	315-238H	40168 WING G.B. CHANNEL WELD	(S/N 176349-)	Rev. 1
25.	804-021C	WASHER FLAT 5/8 SAE PLT		
26.	802-100C	HHCS 5/8-11X4 1/2 GR5		
27.	800-080C	GREASE ZERK 1/4-28 THD FORMING		

# Channel Right Hand Deck

Applies to AFM4014 and AFM40168



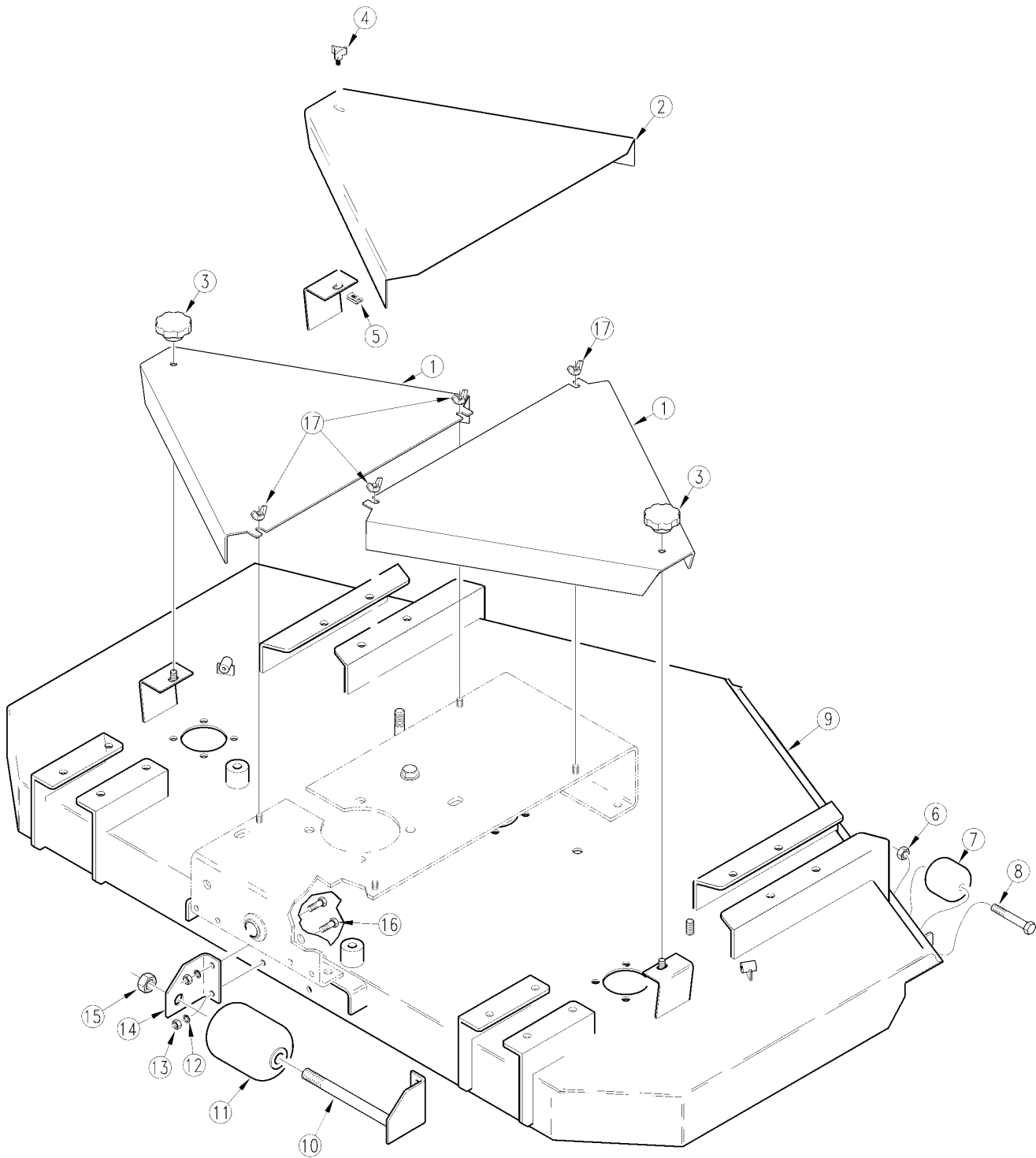
16536

***Channel Right Hand Deck*****Applies to AFM4014 and AFM40168**

<b>Ref</b>	<b>Part No.</b>	<b>Part Description</b>	<b>Comments</b>	<b>Revision</b>
	dwg16536	Drawing Image Number		
1.	826-327C	GBOX MOWER 50 HP 1:2.8 CCW	(S/N 368118+)	Rev. 4
1.	826-327C81	GBOX MOWER 50 HP 1:2.8 CCW GREEN		
1.	826-327C82	GBOX MOWER 50 HP 1:2.8 CCW ORANGE		
1.	826-327C83	GBOX MOWER 50 HP 1:2.8 CCW RED		
1.	826-327C84	GBOX MOWER 50 HP 1:2.8 CCW BLUE		
1.	826-295C	RPBY 826-327C	(S/N 211887 to 368117)	Rev. 3
1.	826-205C	REP BY 826-295C	(S/N 211887 to 368117)	Rev. 2
1.	826-122C	RPBY 826-205C	(S/N 211886-)	Rev. 1
2.	817-050C	GEARBOX SHAFT PROTECTOR	(S/N 220346-)	
3.	310-331D	KEY 1/4" X 11/16" LONG		
4.	310-041D	GEAR BOX SPACER	(S/N 211744-)	
5.	808-335C	B-GROOVE PULLEY 11" CAST-IRON		Rev. 2
5.	808-126C	B-GROOVE DRIVE PULLEY 11 O.D.		Rev 1; Use up stock
6.	804-029C	WASHER FLAT 1 SAE PLT		
7.	11-007	ITG 1"-14 SLOTTED HEX NUT		
7.	8.2.2.01144	NUT M 24 X 2		
8.	805-017C	PIN COTTER 3/16 X 1 3/4 PLT		
9.	802-097C	HHCS 1/4-20X2 1/2 GR5		Rev. 2
9.	802-152C	HHCS 1/4-20X2 GR5		Rev 1; Use up stock
10.	803-007C	NUT LOCK 1/4-20 PLT		
11.	803-038C	NUT HEX 1-8 NYLON INSERT PLT		
12.	315-562D	GEAR BOX CHANNEL SPACER		
13.	890-122C	BUSHING 1 1/2 X 1 1/4 X 1 1/2		
14.	802-203C	HFSS 1/2-13X1 1/2 GR5	(S/N 286810+)	Rev. 2 not compat. w/Rev. 1
14.	802-091C	HHCS 1/2-13X1 1/2 GR5	(S/N 286809-)	Rev. 1
15.	804-016C	WASHER FLAT 1/2 SAE PLT	(S/N 286809-)	
16.	804-015C	WASHER LOCK SPRING 1/2 PLT	(S/N 286809-)	
17.	803-037C	NUT HEX WHIZ 1/2-13 PLT	(S/N 286810+)	Rev. 2 not compat. w/Rev. 1
17.	803-020C	NUT HEX 1/2-13 PLT	(S/N 286809-)	Rev. 1
18.	802-345C	HHCS 1-8X3 GR8		
19.	804-022C	WASHER LOCK SPRING 5/8 PLT		
20.	803-022C	NUT HEX 5/8-18 PLT		
21.	802-246C	HHCS 5/8-18X1 3/4 GR5		
22.	315-566D	40200 FLEX ARM PIVOT PIN		
23.	315-234H	40168 WING DECK FLEX ARM		
23.	315-234H81	40168 WING DECK FLEX ARM GREEN		
23.	315-234H82	40168 WING DECK FLEX ARM ORANGE		
23.	315-234H83	40168 WING DECK FLEX ARM RED		
23.	315-234H84	40168 WING DECK FLEX ARM BLUE		
24.	315-279H	168 WING GEAR BOX CHANNEL	(S/N 176350+)	Rev. 2 not compat. w/Rev. 1
24.	315-279H81	168 WING GEAR BOX CHANNEL GREEN		
24.	315-279H82	168 WING GEAR BOX CHANNEL ORANGE		
24.	315-279H83	168 WING GEAR BOX CHANNEL RED		
24.	315-279H84	168 WING GEAR BOX CHANNEL BLUE		
24.	315-238H	40168 WING G.B. CHANNEL WELD	(S/N 176349-)	Rev. 1
25.	802-100C	HHCS 5/8-11X4 1/2 GR5		
26.	804-021C	WASHER FLAT 5/8 SAE PLT		
27.	800-080C	GREASE ZERK 1/4-28 THD FORMING		

# Deck and Roller

Applies to AFM4014 and AFM40168



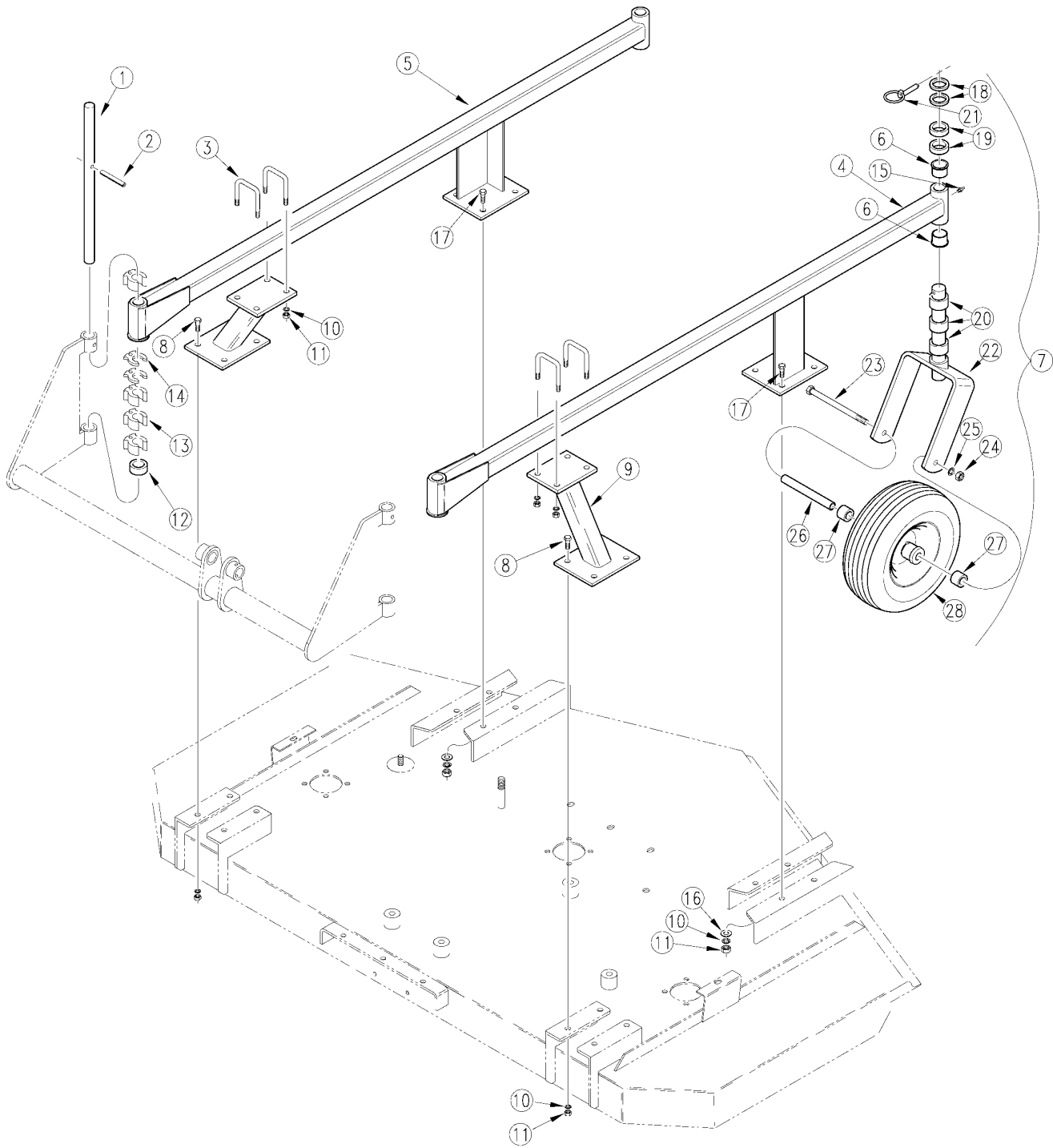
13822

**Deck and Roller****Applies to AFM4014 and AFM40168**

Ref	Part No.	Part Description	Comments	Revision
	dwg13822	Drawing Image Number		
1.	315-619D	40168 BELT GUARD	(S/N 176350+)	Rev. 2 not compat. w/Rev. 1
2.	310-280D	BELT COVER-1560	(S/N 176349-)	Rev. 1
3.	817-259C	KNOB 3/8-16 FEMALE THD 2 3/8OD	(S/N 176350+)	Rev. 2 not compat. w/Rev. 1
4.	817-192C	KNOB 3 PRONG 1/4-20 X 1/2 LG	(S/N 176349-)	Rev. 1
5.	800-163C	CLIP U-TYPE NUT 1/4-20 SLF-RET	(S/N 176349-)	
6.	803-019C	NUT LOCK 1/2-13 PLT		
7.	817-195C	ROLLER ANTI-SCALP 2 OD		
8.	802-041C	HHCS 1/2-13X3 1/2 GR5		
9.	315-283H	168 CEN. R.H. DECK WELD	(S/N 176350+)	Rev. 2 not compat. w/Rev. 1
9.	315-283H81	168 CEN. R.H. DECK WELD GREEN		
9.	315-283H82	168 CEN. R.H. DECK WELD ORANGE		
9.	315-283H83	168 CEN. R.H. DECK WELD RED		
9.	315-283H84	168 CEN. R.H. DECK WELD BLUE		
9.	315-228H	AFM40168 RH-CEN DECK WELD	(S/N 176349-)	Rev. 1
9.	315-284H	168 L.H. DECK WELD	(S/N 176350+)	Rev. 2 not compat. w/Rev. 1
9.	315-284H81	168 L.H. DECK WELD GREEN		
9.	315-284H82	168 L.H. DECK WELD ORANGE		
9.	315-284H83	168 L.H. DECK WELD RED		
9.	315-284H84	168 L.H. DECK WELD BLUE		
9.	315-229H	AFM40168 L. H. DECK WELD	(S/N 176349-)	Rev. 1
10.	315-133H	FRONT ROLLER BRKT L.H.	(S/N 176001+)	Rev. 2
10.	310-319H	LOW LH FRONT ROLLER WELDMENT	(S/N 176000-)	Rev 1; Use up stock
11.	817-082C	4 X 5 1/2 FRONT ROLLER		Rev. 2
12.	804-013C	WASHER LOCK SPRING 3/8 PLT		Rev 1; Use up stock
13.	803-014C	NUT HEX 3/8-16 PLT		
14.	315-409D	FRONT ROLLER MOUNT-R.H.	(S/N 176001+)	
14.	310-533D	LOW FRONT ROLLER RH BRACKET	(S/N 176000-)	
15.	803-114C	NUT LOCK 3/4-16 NYLOC COLLAR		
16.	802-017C	HHCS 3/8-16X1 GR5		
17.	803-231C	NUT WING 3/8-16 PLT		

# Gauge Wheel Center Deck (S/N 231294-)

Applies to AFM4014 and AFM40168



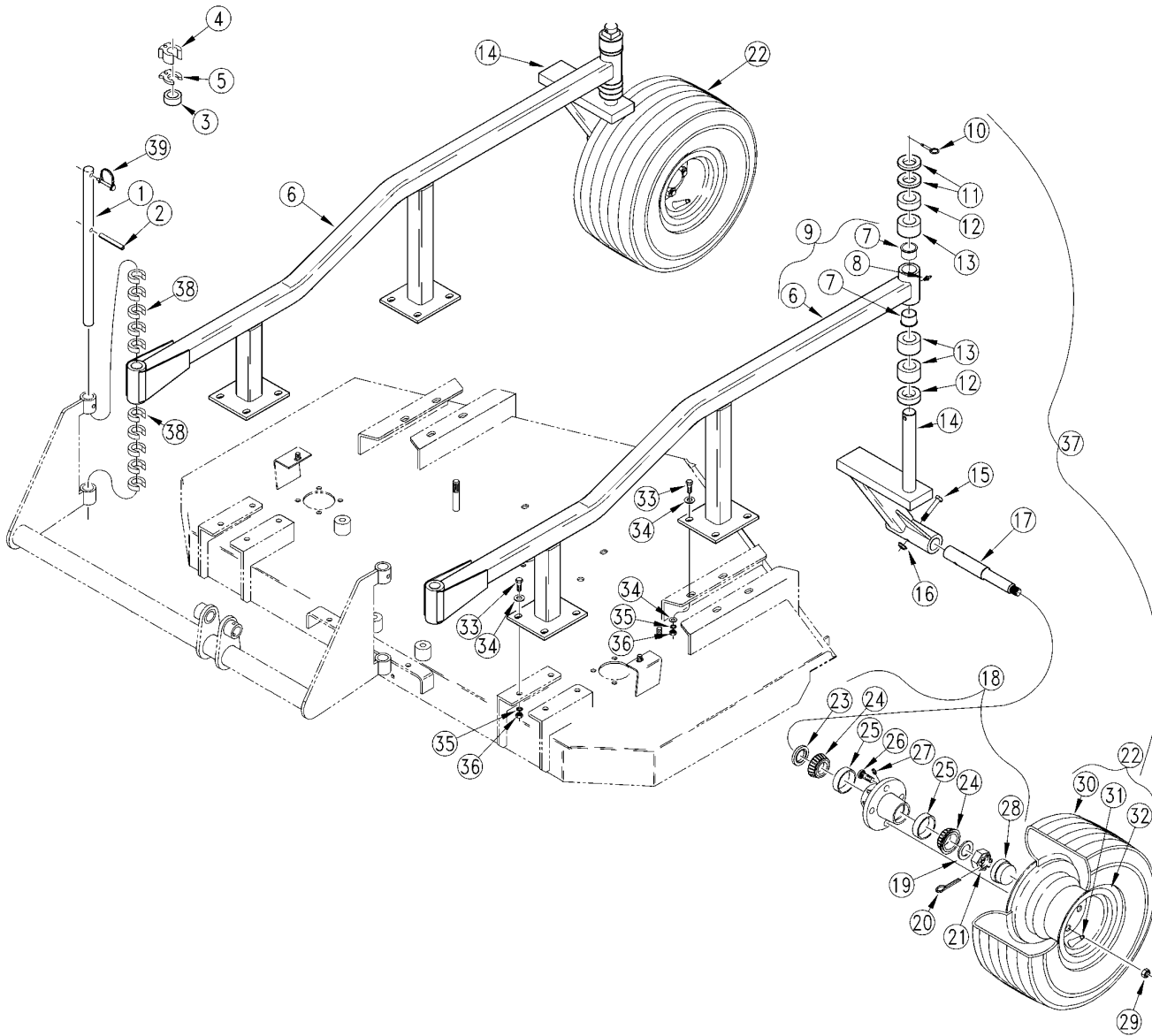
13824

**Gauge Wheel Center Deck (S/N 231294-)****Applies to AFM4014 and AFM40168**

Ref	Part No.	Part Description	Comments	Revision
	dwg13824	Drawing Image Number		
1.	315-484D	CEN DECK CARRIER ROD		
2.	805-161C	PIN ROLL 3/8 X 1 3/4 LG PLT		
3.	806-023C	U-BOLT 1/2-13 X 2 1/32 X 3 1/4		
4.	315-233H	40168 CEN DECK CARRIER L.H.		
5.	315-232H	40168 CEN DECK CARRIER R.H.		
6.	890-202C	GAUGE WHEEL SFT PIVOT BUSHING		
7.	310-100S	90" G W YOKE SUB ASSY	Includes items 18 through 28	
8.	802-091C	HHCS 1/2-13X1 1/2 GR5		
9.	315-240H	40168 CENTER DECK CARRIER		
10.	804-015C	WASHER LOCK SPRING 1/2 PLT		
11.	803-020C	NUT HEX 1/2-13 PLT		
12.	827-001C	SPACER 1/2"		
13.	817-152C	GW SNAP ON SPACER - 1" THICK		
14.	817-151C	GW SNAP ON SPACER - 1/4" THICK		
15.	800-001C	GREASE ZERK STRAIGHT 1/4-28		
16.	804-016C	WASHER FLAT 1/2 SAE PLT		
17.	802-091C	HHCS 1/2-13X1 1/2 GR5		
18.	310-359D	GW SPACER 1/4"		
19.	310-252D	G.W. SPACER 1/2"		
20.	310-251D	G.W. SPACER 1"		
21.	805-126C	PIN LYNCH 1/4 X 1 3/4 PLT		
22.	310-090H	90 GAUGE WHEEL YOKE		
23.	802-305C	HHCS 1/2-20X8 GR5		
24.	803-018C	NUT HEX 1/2-20 PLT		
25.	804-015C	WASHER LOCK SPRING 1/2 PLT		
26.	310-249D	RPBY 827-056C		
27.	310-250D	SPACER TUBE-SH. G.W.		
28.	814-070C	REP BY 814-114C		
28.	814-193C	TIRE 13X5.00-6 (LITE FOAM) RIB	Option	

# Gauge Wheel Center Deck (S/N 231295+)

Applies to AFM4014 and AFM40168



16903



**Gauge Wheel Center Deck (S/N 231295+)****Applies to AFM4014 and AFM40168**

Ref	Part No.	Part Description	Comments	Revision
	dwg16903	Drawing Image Number		
1.	315-237D	AFM4014/16 CARRIER ROD 1 1/2OD	(S/N 242927+)	Rev. 2 not compat. w/Rev. 1
1.	315-484D	CEN DECK CARRIER ROD	(S/N 242926-)	Rev. 1
2.	805-255C	PIN ROLL 3/8 X 2 1/2 PLT	(S/N 242927+)	Rev. 2 not compat. w/Rev. 1
2.	805-161C	PIN ROLL 3/8 X 1 3/4 LG PLT	(S/N 242926-)	Rev. 1
3.	827-001C	SPACER 1/2	(S/N 242926-)	
4.	817-152C	GW SNAP ON SPACER - 1 THICK	(S/N 242926-)	
5.	817-151C	GW SNAP ON SPACER - 1/4 THICK	(S/N 242926-)	
6.	315-422H	AFM4014 CENTER DECK CARRIER	(S/N 242927+)	Rev. 2 not compat. w/Rev. 1
6.	315-422H81	AFM4014 CENTER DECK CARRIER GREEN		
6.	315-422H82	AFM4014 CENTER DECK CARRIER ORANGE		
6.	315-422H83	AFM4014 CENTER DECK CARRIER RED		
6.	315-422H84	AFM4014 CENTER DECK CARRIER BLUE		
6.	315-416H	AFM4014 CENTER DECK ARM W/LDMNT	(S/N 242926-)	Rev. 1
7.	890-202C	GAUGE WHEEL SFT PIVOT BUSHING		
8.	800-001C	GREASE ZERK STRAIGHT 1/4-28		
9.	315-418S	CENTER DECK CARRIER W/BUSH 14	Includes items 6, 7 & 8	
9.	315-418S81	CENTER DECK CARRIER W/BUSH 14 GREEN		
9.	315-418S82	CENTER DECK CARRIER W/BUSH 14 ORANGE		
9.	315-418S83	CENTER DECK CARRIER W/BUSH 14 RED		
9.	315-418S84	CENTER DECK CARRIER W/BUSH 14 BLUE		
10.	805-015C	PIN LYNCH 5/16 X 1 3/4		
11.	310-359D	GW SPACER 1/4		
12.	310-252D	G.W. SPACER 1/2		
13.	310-251D	G.W. SPACER 1		
14.	315-384H	WELDMNT CASTERED YOKE		
15.	802-114C	HHCS 3/8-16X2 1/2 GR5		
16.	803-013C	NUT LOCK 3/8-16 PLT		
17.	315-768D	SPINDLE 1"		
18.	815-104C	HUB 4-BOLT W/ZERK COMPLETE	Includes items 23 through 29	
19.	804-025C	WASHER FLAT 3/4 SAE PLT		
20.	805-045C	PIN COTTER 5/32 X 1 1/4 LG		
21.	803-053C	NUT HEX SLOTTED 3/4-16		
22.	814-118C	TIRE & WHL ASSY 18X9.50-8 4PLY	Includes items 30, 31 & 32	
23.	816-014C	TINE GAUGE WHEEL HUB SEAL		
24.	822-030C	BEARING CONE L44643		
25.	822-080C	BEARING CUP L44610		
26.	B0-47	NEILSON STUD 1/2-20UNFX1 13/16	Service Part Only	
26.	802-125C	RPBY B0-47		
27.	800-001C	GREASE ZERK STRAIGHT 1/4-28		
28.	890-068C	RPBY 890-614C) GREASE CAP#1518		
29.	803-159C	NUT LUG 1/2-20 X 60 DEG PLT		
30.	10-097	CARLISLE TIRE 18 X 9.5-8 4PLY		Rev. 2
30.	518081	RPBY 10-097		Rev 1; Use up stock
31.	TR-412	T1. VALVE MARTIN		
32.	492107	CARLISLE RIM FOR 18X9.5-8 TIRE		
33.	802-091C	HHCS 1/2-13X1 1/2 GR5		
34.	804-016C	WASHER FLAT 1/2 SAE PLT		
35.	804-015C	WASHER LOCK SPRING 1/2 PLT		
36.	803-020C	NUT HEX 1/2-13 PLT		
37.	315-343S	CASTER G.W. YOKE, 18" TIRE ASSY	Includes items 10 through 22	
38.	315-733D	C SPACER COLLAR 1/2X1 17/32 ID	(S/N 242927+)	
39.	805-065C	PIN WIRE RETAINING 1/4 X 1 3/4	(S/N 242926+)	

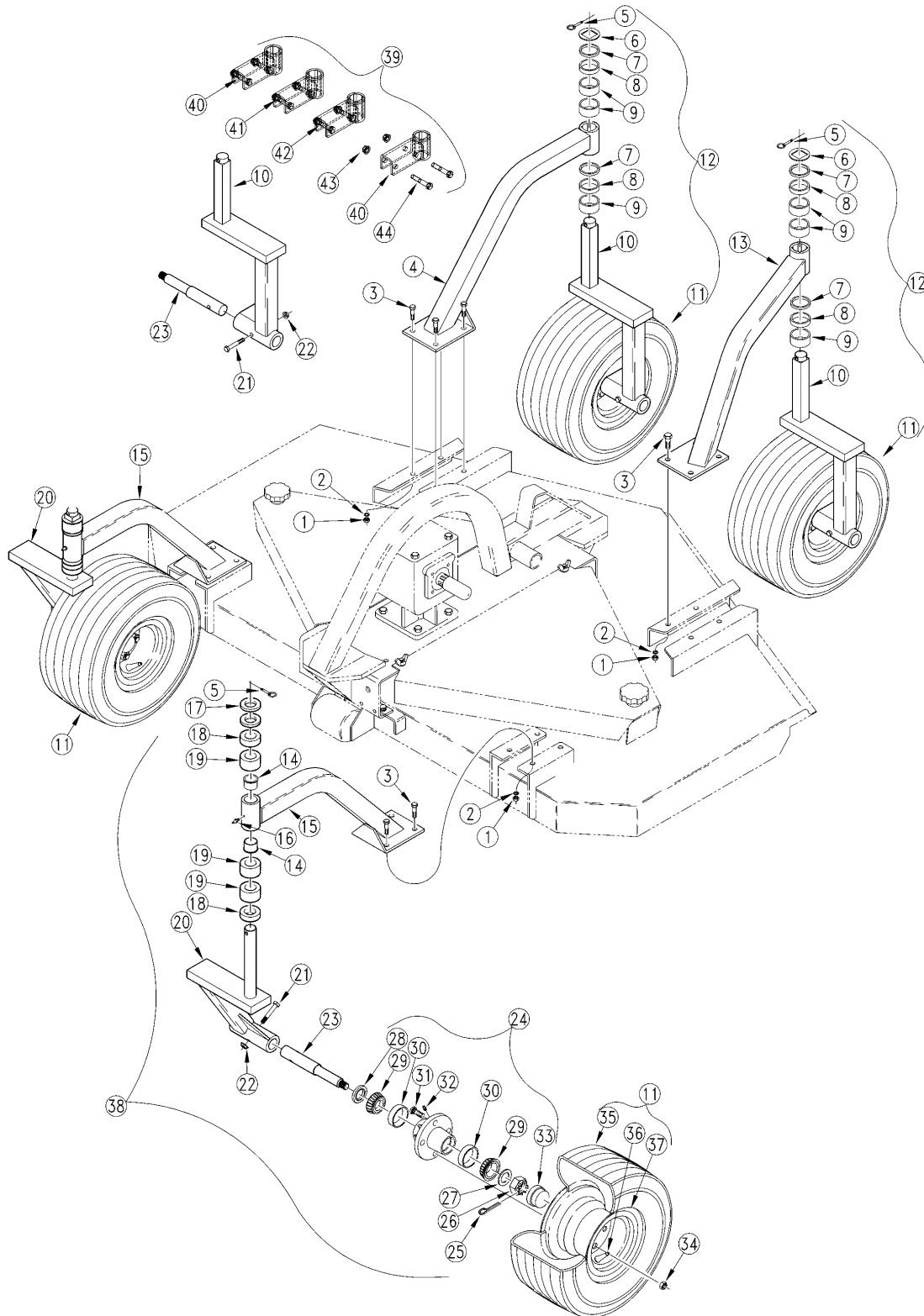


**Gauge Wheel Left & Right Hand (S/N 231294-)****Applies to AFM4014 and AFM40168**

Ref	Part No.	Part Description	Comments	Revision
	dwg13825	Drawing Image Number		
1.	802-091C	HHCS 1/2-13X1 1/2 GR5		
2.	315-219S	40200 NON-CASTERED GW ASSY	Includes items	
3.	310-100S	90" G W YOKE SUB ASSY	Includes items 20 through 30w	
4.	315-218S	40200 CASTERED GW ARM SUB	Includes items 6, 7 & 8	
5.	890-202C	GAUGE WHEEL SFT PIVOT BUSHING		
6.	800-001C	GREASE ZERK STRAIGHT 1/4-28		
7.	315-196H	CASTERED GW ARM AFM40200		
8.	803-020C	NUT HEX 1/2-13 PLT		
9.	804-015C	WASHER LOCK SPRING 1/2 PLT		
10.	315-237H	40168 R.H. DECK CARRIER	(S/N 176349-)	
10.	315-236H	40168 L.H. DECK CARRIER	(S/N 176349-)	
11.	802-058C	HHCS 5/8-11X2 1/2 GR5	(S/N 176349-)	
12.	804-022C	WASHER LOCK SPRING 5/8 PLT	(S/N 176349-)	
13.	803-021C	NUT HEX 5/8-11 PLT	(S/N 176349-)	
14.	315-241H	40168 WING CORNER CARRIER ROD	(S/N 176349-)	
15.	805-177C	PIN ROLL 5/16 X 1 3/4 PLT	(S/N 176349-)	
16.	817-151C	GW SNAP ON SPACER - 1/4" THICK	(S/N 176349-)	
17.	817-152C	GW SNAP ON SPACER - 1" THICK	(S/N 176349-)	
18.	827-001C	SPACER 1/2"	(S/N 176349-)	
19.	310-359D	GW SPACER 1/4"		
20.	310-252D	G.W. SPACER 1/2"		
21.	310-251D	G.W. SPACER 1"		
22.	805-126C	PIN LYNCH 1/4 X 1 3/4 PLT		
23.	310-090H	90 GAUGE WHEEL YOKE		
24.	802-305C	HHCS 1/2-20X8 GR5		
25.	803-018C	NUT HEX 1/2-20 PLT		
26.	804-015C	WASHER LOCK SPRING 1/2 PLT		
27.	310-249D	RPBY 827-056C		
28.	310-250D	SPACER TUBE-SH. G.W.		
29.	814-070C	REP BY 814-114C		
29.	814-193C	TIRE 13X5.00-6 (LITE FOAM) RIB	Optional	
30.	315-247D	1 1/4 SQ BAR SPACER 1/4" LG		
31.	315-246D	1 1/4 SQ BAR SPACER 1/2" LG		
32.	315-245D	1 1/4 SQ BAR SPACER 1" LG		
33.	315-098H	NON-CASTER GW YOKE WELD		
34.	315-248D	1 1/4 SQ BAR TOP CAP		
35.	315-195H	NONCASTERED GW ARM AFM40200		
36.	315-272H	168 RH INSIDE NONCASTER ARM (SHOWN)		
36.	315-273H	168 LH INSIDE NONCASTER ARM		
37.	814-114C	TIRE 13X5.00-6 AIR TIREW/HOLES	Rev. 2	
37.	814-070C	RPBY 814-114C	Rev. 1	
37.	814-272C	TIRE 13X5.0-6SEMI-SOLID SMOOTH	Rev. 2; Optional	
37.	814-193C	RPBY 814-272C	Rev. 1; Optional	

**Gauge Wheel Left & Right Hand (S/N 231295+)**

Applies to AFM4014 and AFM40168



16904

**Gauge Wheel Left & Right Hand (S/N 231295+)****Applies to AFM4014 and AFM40168**

Ref	Part No.	Part Description	Comments	Revision
	dwg16904	Drawing Image Number		
1.	803-020C	NUT HEX 1/2-13 PLT		
2.	804-015C	WASHER LOCK SPRING 1/2 PLT		
3.	802-091C	HHCS 1/2-13X1 1/2 GR5		
4.	315-417H	NON CASTER ARM WLDMNT 14&16AFM	Outer Arm	
4.	315-417H81	NON CASTER ARM WLDMNT 14&16AFM GREEN		
4.	315-417H82	NON CASTER ARM WLDMNT 14&16AFM ORANGE		
4.	315-417H83	NON CASTER ARM WLDMNT 14&16AFM RED		
4.	315-417H84	NON CASTER ARM WLDMNT 14&16AFM BLUE		
5.	805-015C	PIN LYNCH 5/16 X 1 3/4		
6.	315-248D	1 1/4 SQ BAR TOP CAP		
7.	315-247D	1 1/4 SQ BAR SPACER 1/4 LG		
8.	315-246D	1 1/4 SQ BAR SPACER 1/2 LG		
9.	315-245D	1 1/4 SQ BAR SPACER 1 LG		
10.	315-383H	WELDMENT NON-CASTERED YOKE		
11.	814-118C	TIRE & WHL ASSY 18X9.50-8 4PLY	Includes items 35, 36 & 37	
12.	315-344S	NONCASTER G.W. YOKE, 18"TR ASSY	Includes items 5 through 11	
13.	315-415H	14'LH DCK INSD NONCSTR ARM WLD		
13.	315-415H81	14'LH DCK INSD NONCSTR ARM WLD GREEN		
13.	315-415H82	14'LH DCK INSD NONCSTR ARM WLD ORANGE		
13.	315-415H83	14'LH DCK INSD NONCSTR ARM WLD RED		
13.	315-415H84	14'LH DCK INSD NONCSTR ARM WLD BLUE		
13.	315-414H	14'RH DCK INSD NONCSTR ARM WLD		
13.	315-414H81	14'RH DCK INSD NONCSTR ARM WLD GREEN		
13.	315-414H82	14'RH DCK INSD NONCSTR ARM WLD ORANGE		
13.	315-414H83	14'RH DCK INSD NONCSTR ARM WLD RED		
13.	315-414H84	14'RH DCK INSD NONCSTR ARM WLD BLUE		
14.	890-202C	GAUGE WHEEL SFT PIVOT BUSHING		
15.	315-413H	CASTERED ARM WLDMNT 14&16 AFM		
15.	315-413H81	CASTERED ARM WLDMNT 14&16 AFM GREEN		
15.	315-413H82	CASTERED ARM WLDMNT 14&16 AFM ORANGE		
15.	315-413H83	CASTERED ARM WLDMNT 14&16 AFM RED		
15.	315-413H84	CASTERED ARM WLDMNT 14&16 AFM BLUE		
16.	800-001C	GREASE ZERK STRAIGHT 1/4-28		
17.	310-359D	GW SPACER 1/4		
18.	310-252D	G.W. SPACER 1/2		
19.	310-251D	G.W. SPACER 1		
20.	315-384H	WELDMENT CASTERED YOKE		
21.	802-114C	HHCS 3/8-16X2 1/2 GR5		
22.	803-013C	NUT LOCK 3/8-16 PLT		
23.	315-768D	SPINDLE 1"		
24.	815-104C	HUB 4-BOLT W/ZERK COMPLETE	Includes items 28 through 34	
25.	805-045C	PIN COTTER 5/32 X 1 1/4 LG		
26.	803-053C	NUT HEX SLOTTED 3/4-16		
27.	804-025C	WASHER FLAT 3/4 SAE PLT		
28.	816-014C	TINE GAUGE WHEEL HUB SEAL		
29.	822-030C	BEARING CONE L44643		
30.	822-080C	BEARING CUP L44610		
31.	B0-47	NEILSON STUD 1/2-20UNFX1 13/16		Service part only Rev. 2
31.	802-125C	RPBY BO-47		Rev. 1
32.	800-001C	GREASE ZERK STRAIGHT 1/4-28		
33.	890-068C	RPBY 890-614C) GREASE CAP#1518		

**Gauge Wheel Left & Right Hand (S/N 231295+) (continued)****Applies to AFM4014 and AFM40168**

<b>Ref</b>	<b>Part No.</b>	<b>Part Description</b>	<b>Comments</b>	<b>Revision</b>
34.	803-159C	NUT LUG 1/2-20 X 60 DEG PLT		
35.	10-097	CARLISLE TIRE 18 X 9.5-8 4PLY		Rev. 2
35.	518081	RPBY 10-097		Rev 1; Use up stock
36.	TR-412	T1. VALVE MARTIN		
37.	492107	CARLISLE RIM FOR 18X9.5-8 TIR315-343S	CASTER G.W. YOKE, 18" TIRE ASSY;	
38.	315-343S	CASTER G.W. YOKE, 18" TIRE ASSY		
39.	315-495A	AFM4014 BOLT-ON SQ HL TB UPGRD	Service part only S/N 231295+)	
40.	315-488H	14/16 BOLT-ON NON-CASTR MOUNT	Service part only S/N 231295+)	
41.	315-490H	14RH INSIDE BOLTON NONCSTR MNT	Service part only S/N 231295+)	
42.	315-489H	14LH INSIDE BOLTON NONCSTR MNT	Service part only S/N 231295+)	
43.	803-169C	NUT HEX FLG. LOCK 1/2-13 PLT.	Service part only S/N 231295+)	
44.	802-099C	HHCS 1/2-13X3 1/4 GR5	Service part only S/N 231295+)	

***Gauge Wheel Left & Right Hand (S/N 231295+) (continued)***

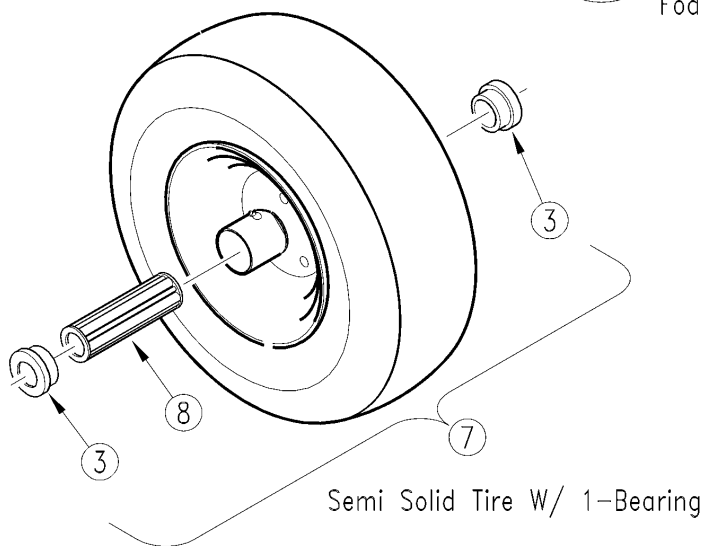
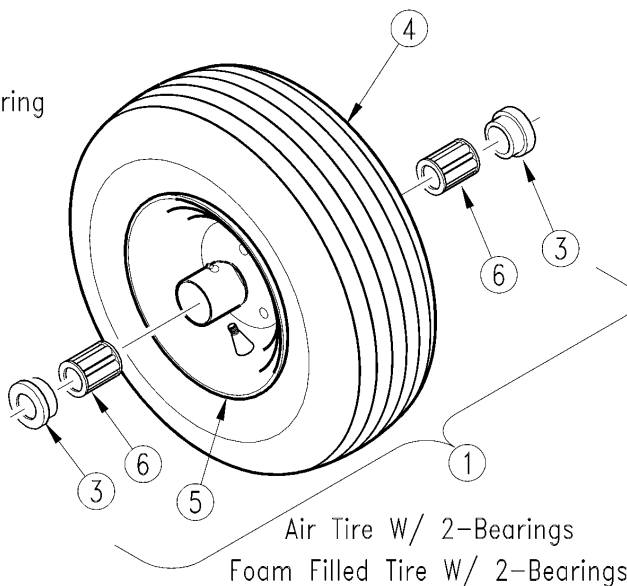
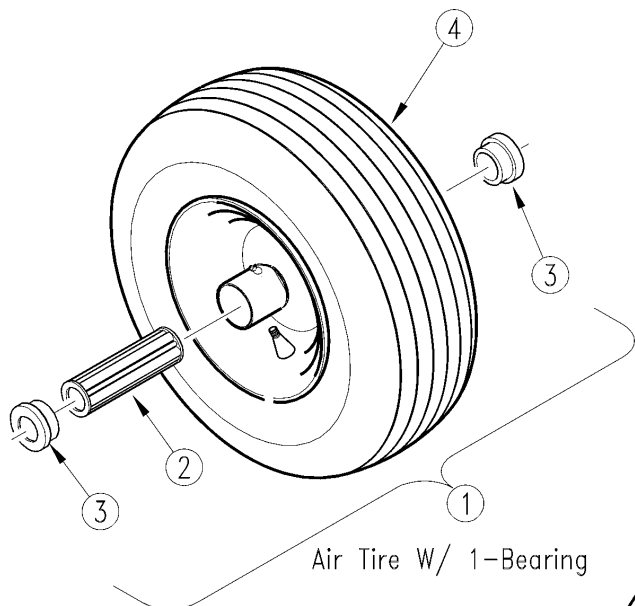
---

**Applies to AFM4014 and AFM40168**

***This Page Intentionally Left Blank***

**Gauge Wheels 814-070C and 814-114C) (S/N 231294-)**

Applies to AFM4014 and AFM40168



13630

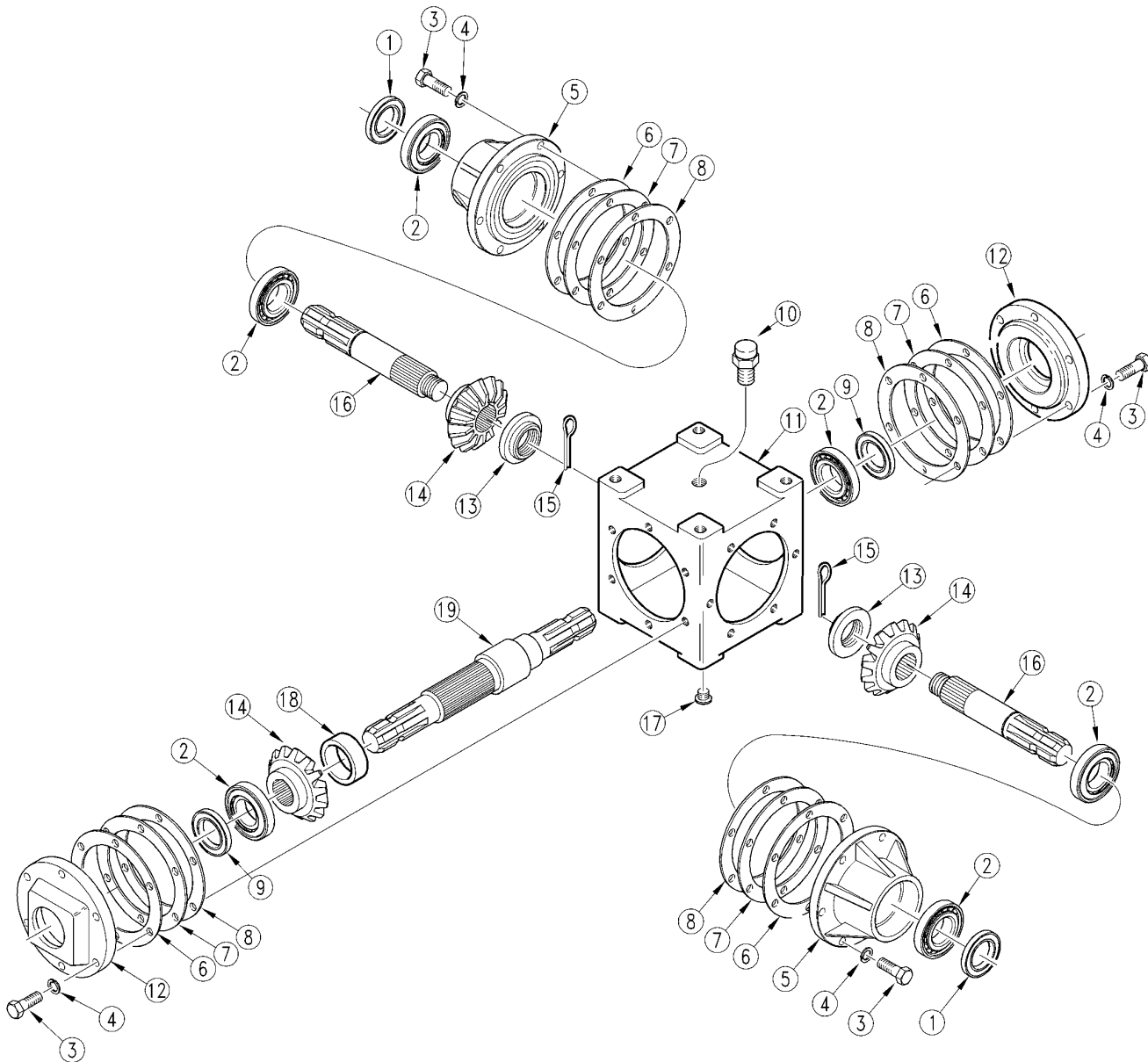


**Gauge Wheels 814-070C and 814-114C) (S/N 231294-)****Applies to AFM4014 and AFM40168**

<b>Ref</b>	<b>Part No.</b>	<b>Part Description</b>	<b>Comments</b>	<b>Revision</b>
	dwg13630	Drawing Image Number		
1.	814-114C	TIRE 13X5.00-6 AIR TIRE W/HOLES	Standard air tire w/rim holes	Rev. 2
1.	814-070C	RPBY 814-114C	Obsolete air tire w/o rim holes	Rev. 1
2.	53-180	TILDEN BRG 1.38 OD X3.7LG.75ID	For wheels w/ 1-bearing	Rev. 2
2.	95360NA	RPBY 53-180		Rev. 1
3.	53-164	TILDEN RTNR 3/4IDX1 3/8ODX1/4L		Rev.2
3.	BF-1506	RPBY 53-164		Rev. 1
4.	5180211	CL TIRE 13X500-6 4PLY RIB	Standard air tire	Rev. 2
4.	506-4R-I	RPBY 5180211		Rev. 1
5.	50069S6LPY34RB	RIM W/DRAIN HOLES & BRGS -114C	For rims w/ 2-bearings	
6.	53-189	TILDEN BRG 3/4ID1.34ODX15/16L	For wheels w/ 2-bearings	Rev. 2
6.	95316	RPBY 53-189		Rev. 1
7.	814-272C	TIRE 13X5.0-6SEMI-SOLID SMOOTH	Optional solid tire w/rim holes	Rev. 2
7.	814-193C	RPBY 814-272C	Obsolete foam fill tire	Rev. 1
8.	15500000037	Roller Bearing .75 ID X 1.375 O		

# Gearbox 4-Way Splitter (826-141C) (S/N 242926-)

Applies to AFM4014 and AFM40168



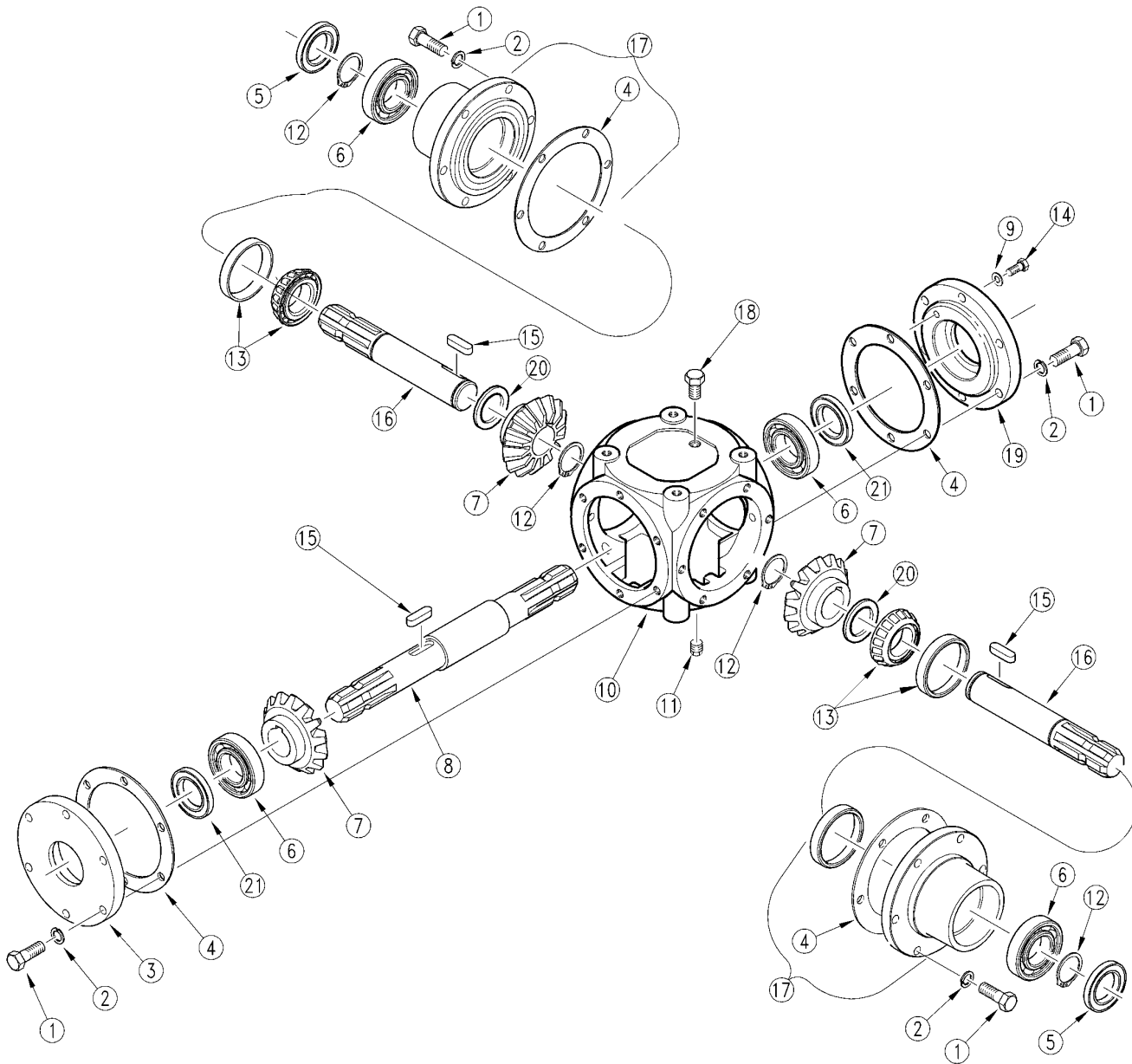
13712

**Gearbox 4-Way Splitter (826-141C) (S/N 242926-)****Applies to AFM4014 and AFM40168**

<b>Ref</b>	<b>Part No.</b>	<b>Part Description</b>	<b>Comments</b>	<b>Revision</b>
	dwg13712	Drawing Image Number		
	826-141C	4-WAY SPLITTER BOX 1:1 RATIO		
1.	05-015	ITG HUB SHAFT SEAL		
2.	04-018	ITG BEARING ASSY ISO #30208		
3.	06-012	ITG M10 X 1.5 X 25 CAP SCREW		
4.	07-001	RPBY 804-158C		
5.	20-028	ITG OUTPUT HUB CAP		
6.	08-027	ITG GASKET 0.25MM (METAL)		
7.	08-028	ITG GASKET 0.30MM (METAL)		
8.	08-029	ITG GASKET 0.40MM (METAL)		
9.	05-002	ITG INPUT OIL SEAL		
10.	09-011	ITG M18 X 1.5P PLUG VENTED		
11.	18-033	ITG SPLITTER BOX HOUSING		
12.	20-029	ITG THRU SHAFT HUB CAP		
13.	11-021	ITG BRG ADJUSTING NUT		
14.	03-067	ITG 16 TOOTH GEAR		
15.	12-006	ITG COTTER PIN		
16.	02-062	ITG HUB SHAFT		
17.	09-013	ITG DRAIN PLUG		
18.	10-042	ITG SPACER		
19.	02-061	ITG THRU SHAFT		

**Gearbox 4-Way Splitter (826-097C) Comer (S/N 242927 to 272759)**

Applies to AFM4014 and AFM40168



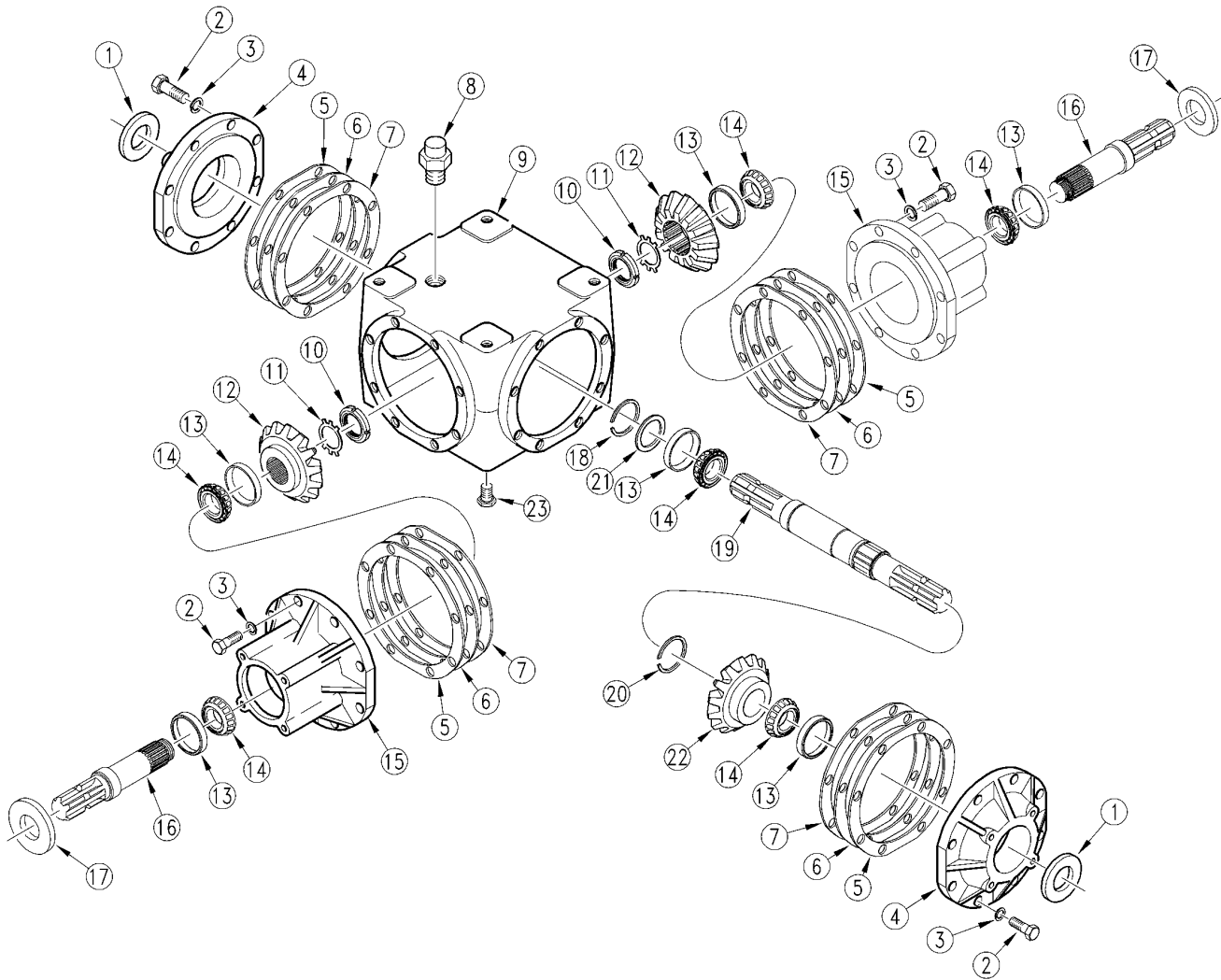
11787

***Gearbox 4-Way Splitter (826-097C) Comer (S/N 242927 to 272759)*****Applies to AFM4014 and AFM40168**

<b>Ref</b>	<b>Part No.</b>	<b>Part Description</b>	<b>Comments</b>	<b>Revision</b>
	dwg11787	Drawing Image Number		
	826-097C	RPBY 315-447A		
1.	8.1.1.00073	CO BOLT M10 X 30 8.8		
2.	8.3.6.00020	CO SPRING WASHER 10.2DIN798		
3.	0.257.1743.00	CO COVER		
4.	0.242.7200.00	CO GASKET		
5.	8.7.3.00055	CO OIL SEAL 35 X 72 X 10		
6.	822-166C	BEARING BALL 6207		Rev. 2
6.	8.0.1.00870	RPBY 822-166C		Rev 1; Use up stock
7.	0.241.5001.00	CO GEAR Z14 M6.5		
8.	0.267.4212.00	CO SHAFT		
9.	8.3.3.00384	CO WASHER M8		
10.	0.257.0505.00	CO CASTING		
11.	0.107.7100.01	CO OIL FILTER PLUG		
12.	8.5.1.00005	CO SNAP RING EXT 35 UN17435		
13.	8.0.9.00026	REP BY 822-167C		
14.	8.1.1.00045	CO BOLT M8 X 10 8.8		
15.	8.4.1.00021	CO PARALLEL KEY A 10 X 8 X 35		
16.	0.242.2101.00	CO OUTPUT SHAFT		
17.	0.256.1314.00	CO EXTENSION		
18.	8.6.5.00006	CO OIL PLUG 3/8		
19.	0.257.1742.00	CO COVER		
20.	A.259.500	CO ADJUSTMENT SPACER, 35.3 X48		
21.	8.7.3.00071	CO OIL SEAL 35 X 56 X 8		

# Gearbox 4-Way Splitter (826-274C) OMNI (S/N 272760+)

Applies to AFM4014 and AFM40168



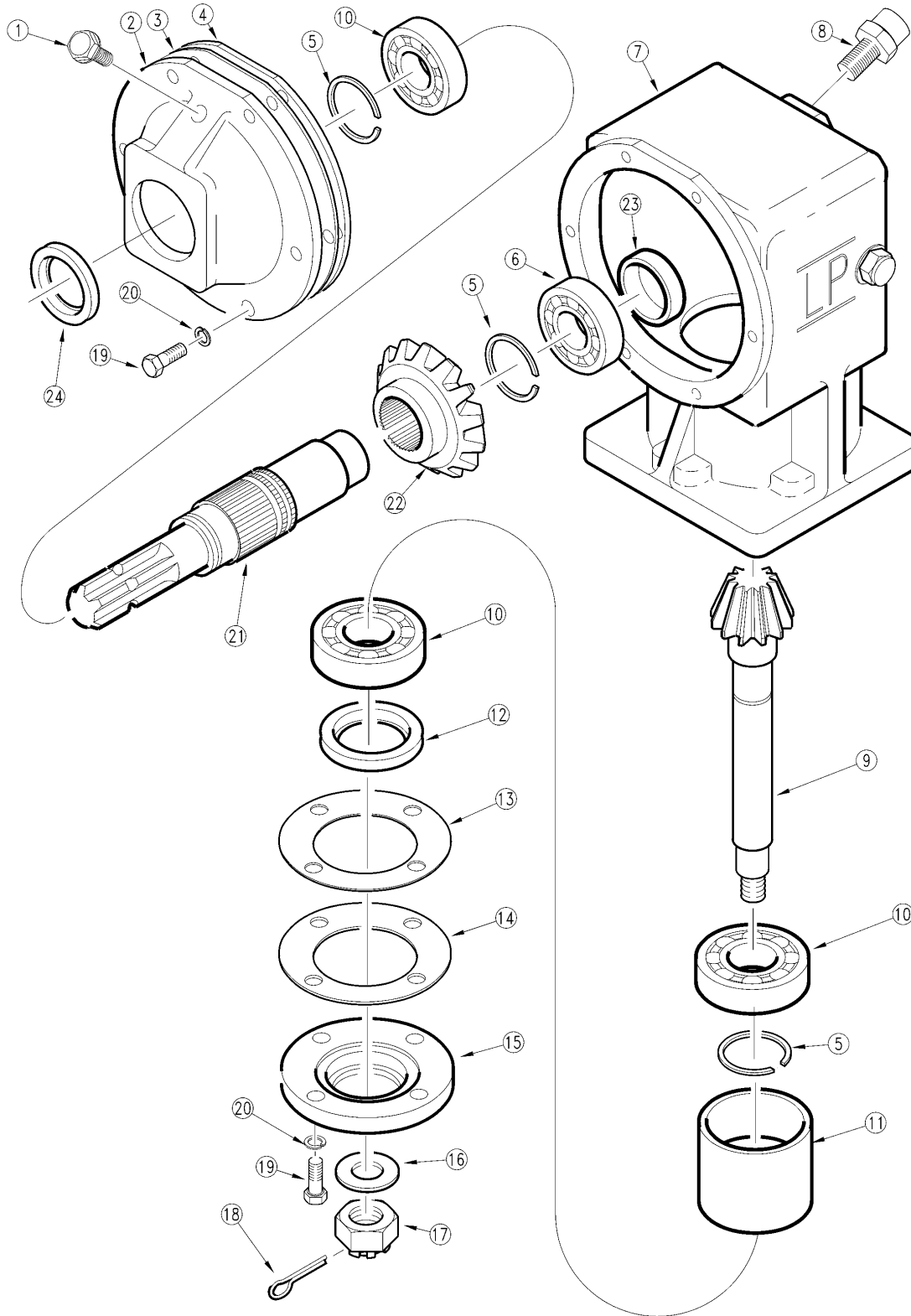
18259

**Gearbox 4-Way Splitter (826-274C) OMNI (S/N 272760+)****Applies to AFM4014 and AFM40168**

Ref	Part No.	Part Description	Comments	Revision
	dwg18259	Drawing Image Number		
	826-274C	GBOX DIVIDER OMNI 250559 1:1		
1.	060133	OMNI SEAL-THROUGH CAP (3-LIP)		
2.	802-159C	HHCS 5/16-18X1 GR5		
3.	804-009C	WASHER LOCK SPRING 5/16 PLT		
4.	020166	OMNI CAP, THRU		
5.	070218	OMNI GASKET, CAP 0.10MM		
6.	070219	OMNI GASKET, CAP 0.20MM		
7.	070220	OMNI GASKET, CAP 0.30MM		
8.	140055	OMNI PLUG REL1/2-14NPTF,DPSTCK		
9.	010180	OMNI HOUSING, 400 SER. 5B MODI		
10.	120126	LOCK NUT, BEARING M30X1.5		
11.	130146	LOCKWASHER, BEARING M30		
12.	030512	OMNI GEAR, OUTPUT 20T (1:1)		
13.	050170	REP BY 050172 CUP		
14.	050172	REP BY 822-167C		
15.	020164	OMNI CAP CANTILEVERED		
16.	040345	OMNI SHAFT-OUTPUT 1 3/8-6A SPL		
17.	060134	OMNI SEAL, CANT. CAP (3-LIP)		
18.	200142	OMNI RETAINING RING, 35MM		
19.	040343	OMNI SHAFT-INPUT 1 3/8-6A SPL		
20.	200141	OMNI RTNG. RING 38MM RC DSH-38		
21.	090099	OMNI SPACER		
22.	030467	OMNI GEAR, INPUT 20T (1:1)		
23.	140004	OMNI PLUG, SOCKET HD. 1/2 PIPE		

**Gearbox Center & Right Deck (826-122C) (S/N 211886-)**

Applies to AFM4014 and AFM40168



13814

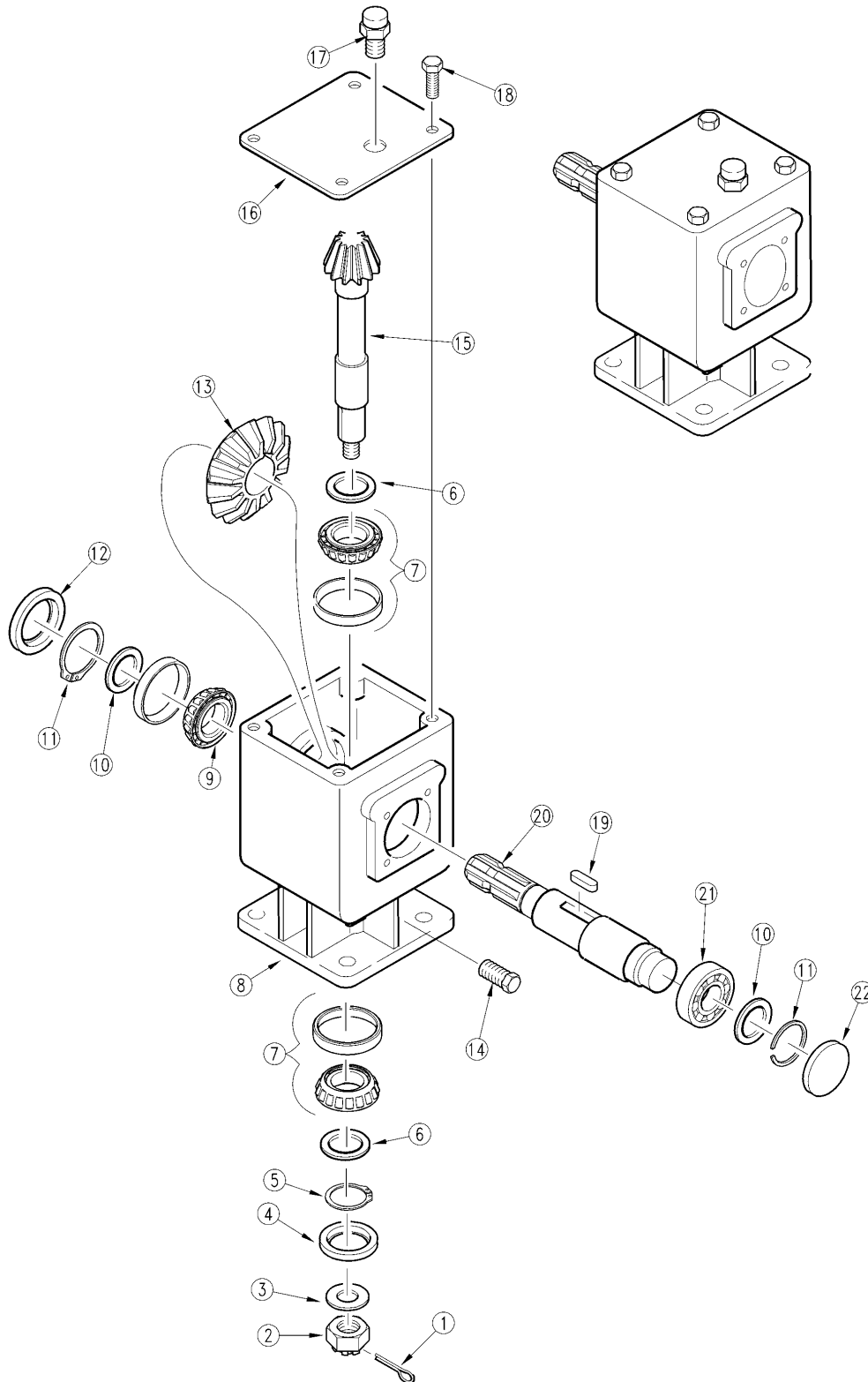


***Gearbox Center & Right Deck (826-122C) (S/N 211886-)*****Applies to AFM4014 and AFM40168**

<b>Ref</b>	<b>Part No.</b>	<b>Part Description</b>	<b>Comments</b>	<b>Revision</b>
	dwg13814	Drawing Image Number		
	826-122C	RPBY 826-205C)		Rev. 1
1.	09-012	ITG M18 X 1.5P PLUG (NON-VENT)		
2.	20-031	ITG INPUT HUB CAP		
3.	08-030	ITG GASKET (0.30MM)		
4.	08-031	ITG GASKET (0.13MM)		
5.	21-012	ITG RETAINING RING		
6.	822-166C	BEARING BALL 6207		Rev. 2
6.	04-004	RPBY 822-166C		Rev 1; Use up stock
7.	18-035	ITG G-BOX HOUSING		
8.	09-011	ITG M18 X 1.5P PLUG VENTED		
9.	03-074	REP BY 826-326C OR -327C		
10.	04-003	REP BY 822-188C		
11.	10-042	ITG SPACER		
12.	05-005	ITG OUTPUT OIL SEAL		
13.	08-005A	ITG OUTPUT CAP GASKET 0.25MM		
14.	08-005B	ITG OUTPUT CAP GASKET 0.10MM		
15.	20-003	ITG OUTPUT CAP		
16.	07-007	ITG WASHER		
17.	11-007	ITG 1"-14 SLOTTED HEX NUT		
18.	12-003	ITG COTTER PIN		
19.	06-012	ITG M10 X 1.5 X 25 CAP SCREW		
20.	07-001	RPBY 804-158C		
21.	02-034	ITG INPUT SHAFT		
22.	03-075	ITG 48 TOOTH INPUT GEAR		
23.	09-009	ITG CAP PLUG		
24.	05-002	ITG INPUT OIL SEAL		

**Gearbox Center & Right Deck (826-122C) Comer (S/N 211886-)**

Applies to AFM4014 and AFM40168



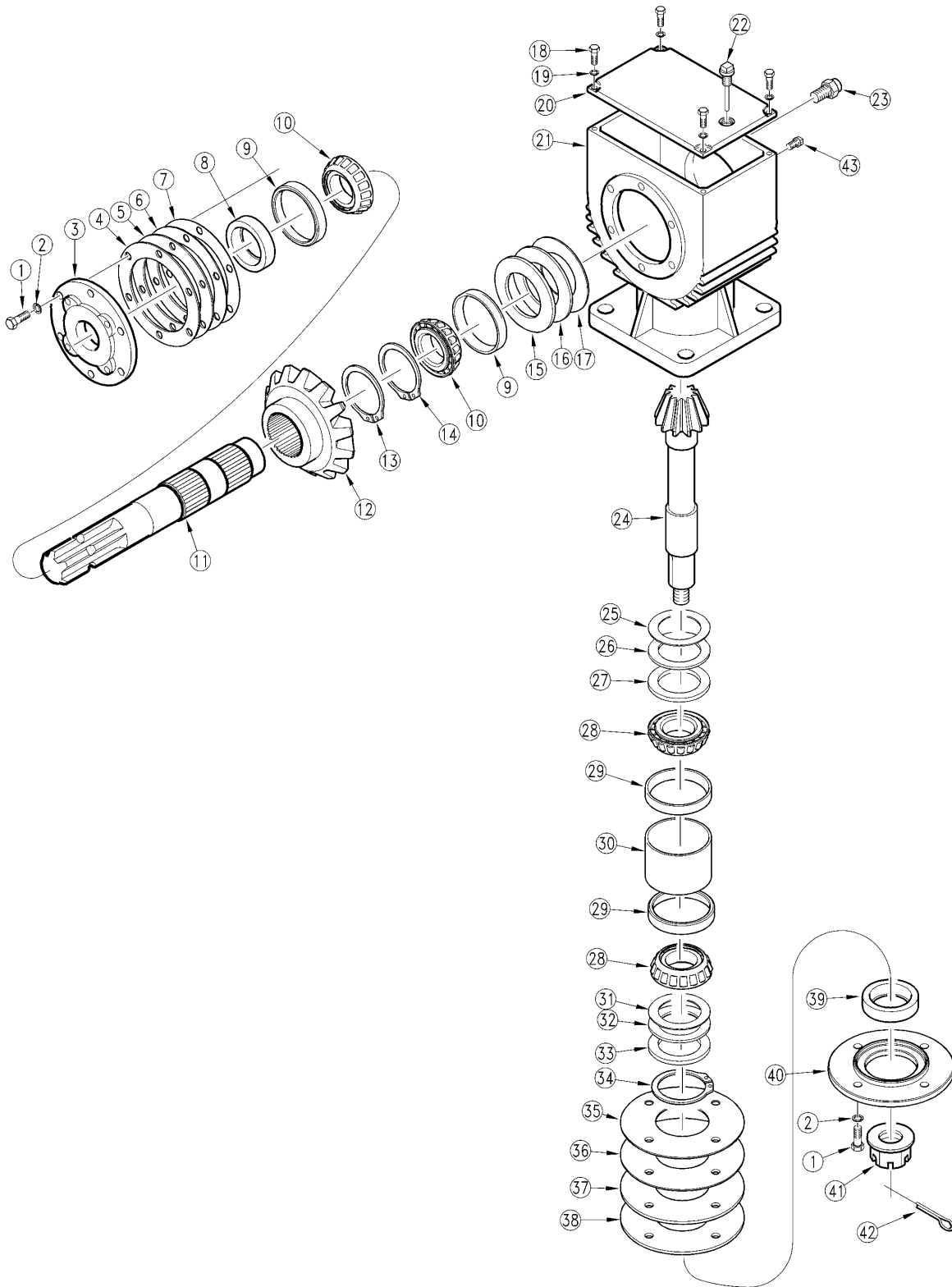
13714

**Gearbox Center & Right Deck (826-122C) Comer (S/N 211886-)****Applies to AFM4014 and AFM40168**

Ref	Part No.	Part Description	Comments	Revision
	dwg13714	Drawing Image Number		
	826-122C	RPBY 826-205C		Rev. 1
1.	8.4.7.00516	CO COTTER PIN M5 X 50		
2.	8.2.2.01144	NUT M 24 X 2		
3.	8.3.2.00409	FLAT WASHER 24 X 44 X 4		
4.	8.7.3.00027	CO OIL SEAL 40 X 80 X 10		
5.	8.5.1.00680	CO SNAP RING 40 UNI 7436		
6.	A.244.500	COMER SHIM KIT 51.5		
7.	8.0.9.00024	RPBY 822-167C		
8.	0.151.0300.00	CO GEARBOX HOUSING LF-151A		
9.	8.0.9.00026	CO BEARING 30207		
10.	A.248.500	COMER SHIM KIT 71.7		
11.	8.5.2.00131	CO SNAP RING INT 72 UN17437		
12.	8.7.3.00055	CO OIL SEAL 35 X 72 X 10		
13.	0.151.5201.00	CO GEAR Z34 M4.55		
14.	8.6.5.00006	CO OIL PLUG 3/8		
15.	0.151.6208.00	CO PINION Z34 M4.55		
16.	0.140.1300.00	CO GEARBOX TOP COVER		
17.	0.286.7100.00	REP BY 8.6.7.00269		
18.	8.1.1.00343	CO BOLT M8 X 14 8.8		
19.	8.4.1.01141	CO PAR. KEY M 12 X 8 X 30		
20.	0.151.2000.00	CO SHAFT 1 3/8-6 CCW		
21.	822-166C	BEARING BALL 6207		Rev. 2
21.	8.0.1.00870	RPBY 822-166C		Rev 1; Use up stock
22.	8.7.0.00744	CO CAP 72 X 10		

**Gearbox Center & Right Deck (826-205C) OMNI (S/N 211887 to 368117)**

Applies to AFM4014 and AFM40168



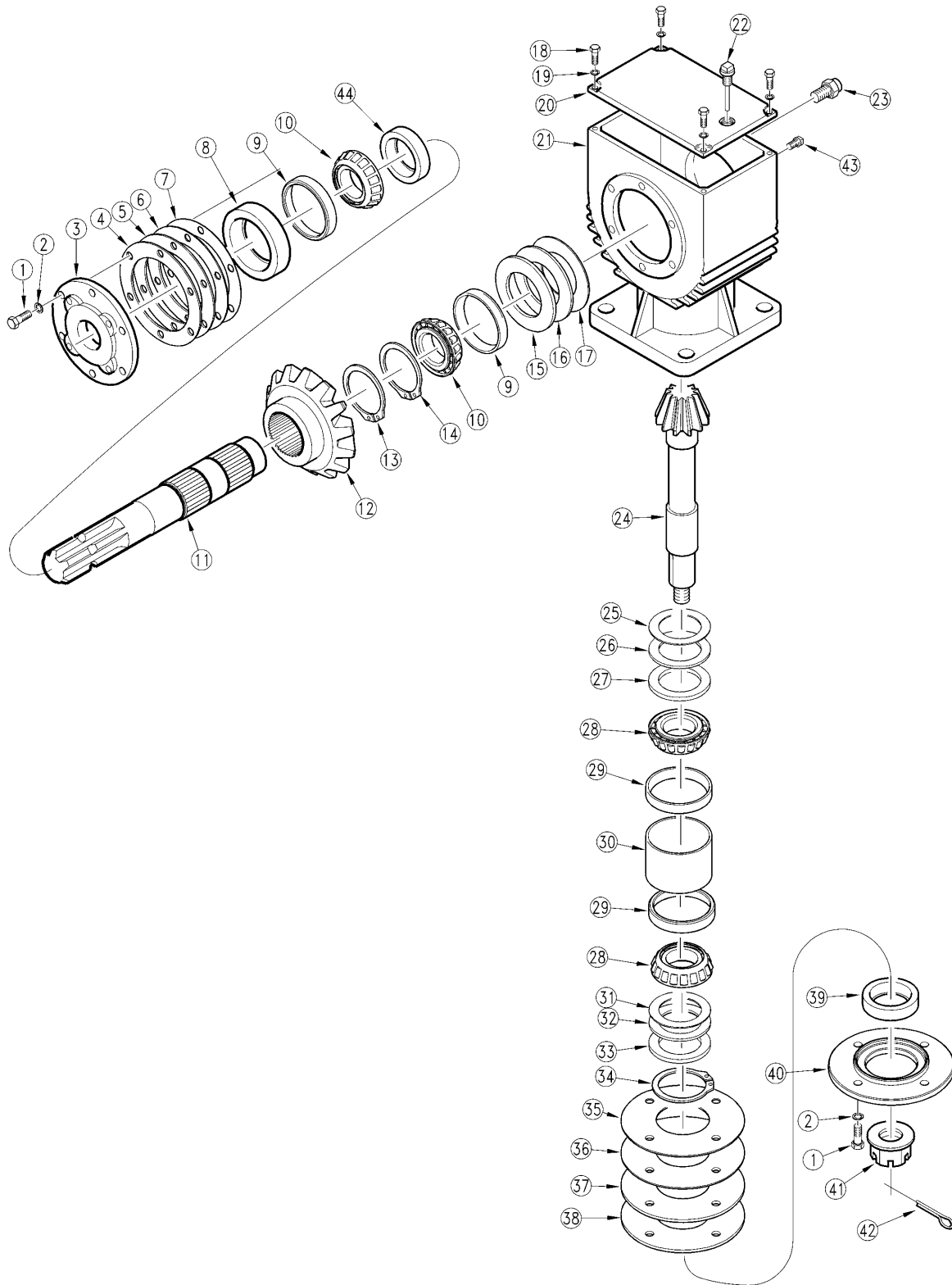
16506

**Gearbox Center & Right Deck (826-205C) OMNI (S/N 211887 to 368117)****Applies to AFM4014 and AFM40168**

Ref	Part No.	Part Description	Comments	Revision
	dwg16506	Drawing Image Number		
	826-205C	REP BY 826-295C		Rev. 1
1.	110192	OMNI SCREW-5/16"-18UNC X 7/8"		
2.	130006	REP BY 804-009C		
3.	020224	OMNI CAP-INPUT		
4.	070249	OMNI GASKET-INPUT 0.50MM		
5.	070248	OMNI GASKET-INPUT 0.30MM		
6.	070247	OMNI GASKET-INPUT 0.20MM		
7.	070246	OMNI GASKET-INPUT 0.10MM		
8.	060127	OMNI SEAL-INPUT CR13930		
9.	050170	REP BY 822-167C		
10.	050172	REP BY 822-167C		
11.	040335	OMNI SHAFT-INPUT 1-3/8"-6 SPLN		
12.	030457	OMNI GEAR INPUT, 34T		
13.	200141	OMNI RTNG. RING 38MM RC DSH-38		
14.	200140	OMNI RTNG. RING 38MM RC DSH-38		
15.	090181	OMNI SHIM INPUT 0.30MM		
16.	090180	OMNI SHIM INPUT 0.20MM		
17.	090179	REP BY 090180		
18.	110009	OMNI SCREW-1/4"-20 UNC X 3/4"		
19.	130028	OMNI LOCKWASHR 1/4" SPLIT TYPE		
20.	240280	OMNI INSPECTION COVER		
21.	010175	OMNI HOUSING-RC-25		
22.	140047	OMNI PLUG SQ.HD.1/2-14NPT W/DP		
23.	140000	OMNI PIPE PLUG 1/2' SQ HEAD	(S/N 215411+)	Rev. 2 not compat. w/Rev. 1
23.	140033	REP BY 8.6.7.00269	(S/N 215410-)	Rev. 1
24.	030456	OMNI PINION-OUTPUT 12T		
25.	090182	REP BY 090183		
26.	090183	OMNI SHIM OUTPUT 0.20MM		
27.	090184	OMNI SHIM OUTPUT 0.30MM		
28.	050197	REP BY 822-191C		
29.	050195	REP BY 822-191C		
30.	090185	OMNI SPACER OUTPUT		
31.	090186	OMNI SHIM OUTPUT 0.10MM		
32.	090187	OMNI SHIM OUTPUT 0.20MM		
33.	090188	OMNI SHIM OUTPUT 0.30MM		
34.	200000	OMNI RETAINING RING		
35.	070250	OMNI GASKET-OUTPUT 0.10MM		
36.	070251	OMNI GASKET-OUTPUT 0.20MM		
37.	070252	OMNI GASKET-OUTPUT 0.30MM		
38.	070253	OMNI GASKET-OUTPUT 0.50MM		
39.	060128	OMNI SEAL-OUTPUT CR15822		
40.	020225	OMNI CAP-OUTPUT		
41.	120050	OMNI NUT HEX SLOTTED, 1-14UNC		
42.	100001	OMNI COTTER PIN 5 X 50		
43.	140017	OMNI PLUG PIPE SQ HD1/8-27NPTF		

**Gearbox Center & Right Deck (826-295C) OMNI (S/N 211887 to 368117)**

Applies to AFM4014 and AFM40168



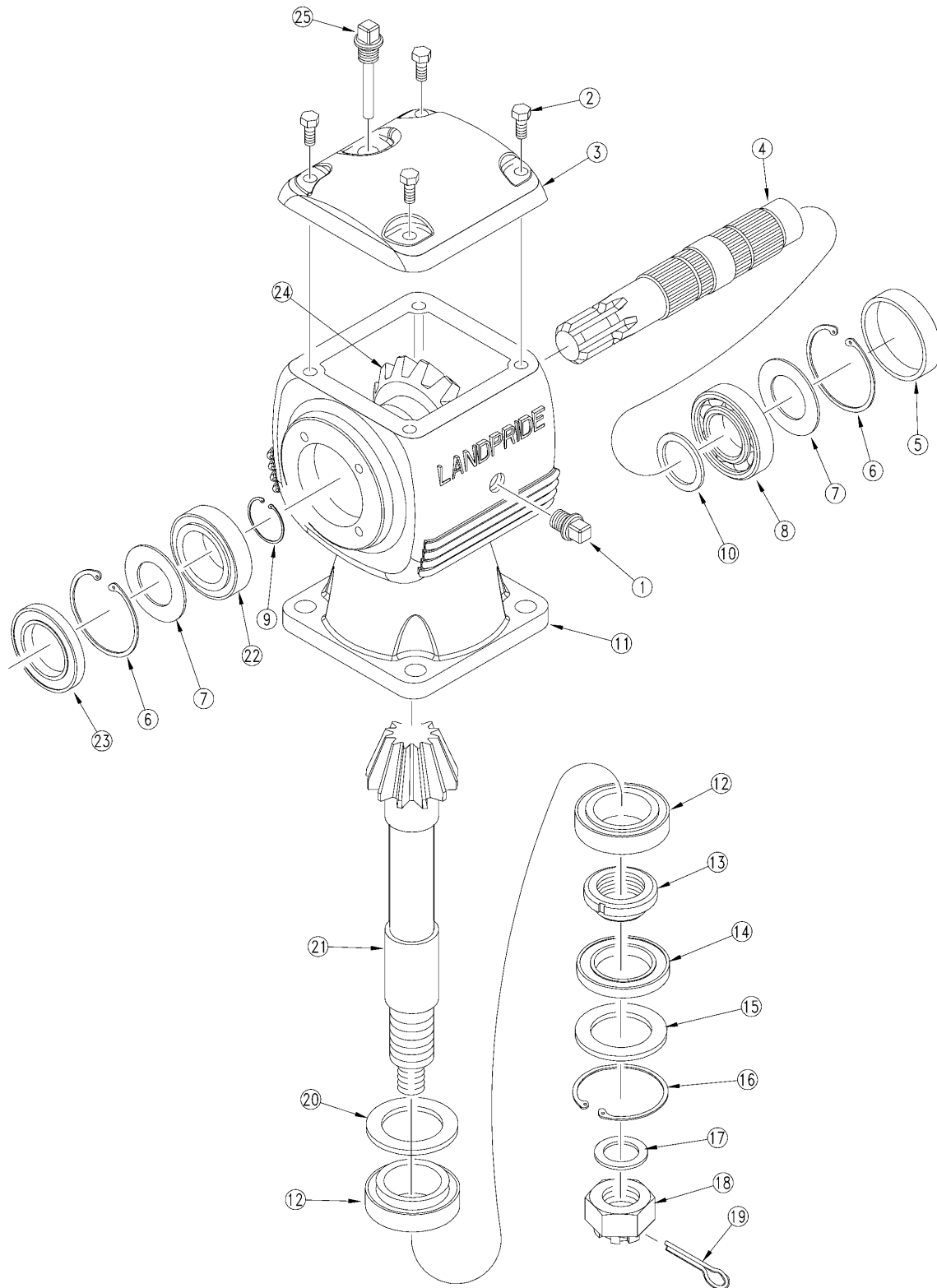
18641

**Gearbox Center & Right Deck (826-295C) OMNI (S/N 211887 to 368117)****Applies to AFM4014 and AFM40168**

Ref	Part No.	Part Description	Comments	Revision
	dwg18641	Drawing Image Number		
	826-295C	RPBY 826-327C		Rev. 1
1.	110192	OMNI SCREW-5/16"-18UNC X 7/8"		
2.	130006	REP BY 804-009C		
3.	020224	OMNI CAP-INPUT		
4.	070249	OMNI GASKET-INPUT 0.50MM		
5.	070248	OMNI GASKET-INPUT 0.30MM		
6.	070247	OMNI GASKET-INPUT 0.20MM		
7.	070246	OMNI GASKET-INPUT 0.10MM		
8.	060127	OMNI SEAL-INPUT CR13930		
9.	050170	REP BY 822-167C		
10.	050172	REP BY 822-167C		
11.	040491	OMNI SHAFT INPUT 1 3/8" - 6A		
12.	030457	OMNI GEAR INPUT, 34T		
13.	200141	OMNI RTNG. RING 38MM RC DSH-38		
14.	200140	OMNI RTNG. RING 38MM RC DSH-38		
15.	090181	OMNI SHIM INPUT 0.30MM		
16.	090180	OMNI SHIM INPUT 0.20MM		
17.	090179	REP BY 090180		
18.	110009	OMNI SCREW-1/4"-20 UNC X 3/4"		
19.	130028	OMNI LOCKWASHR 1/4" SPLIT TYPE		
20.	240280	OMNI INSPECTION COVER		
21.	010252	OMNI HOUSING RC-25 SERIES		
22.	140047	OMNI PLUG SQ.HD.1/2-14NPT W/DP		
23.	140000	OMNI PIPE PLUG 1/2' SQ HEAD		
24.	030456	OMNI PINION-OUTPUT 12T		
25.	090182	REP BY 090183		
26.	090183	OMNI SHIM OUTPUT 0.20MM		
27.	090184	OMNI SHIM OUTPUT 0.30MM		
28.	050197	REP BY 822-191C		
29.	050195	REP BY 822-191C		
30.	090185	OMNI SPACER OUTPUT		
31.	090186	OMNI SHIM OUTPUT 0.10MM		
32.	090187	OMNI SHIM OUTPUT 0.20MM		
33.	090188	OMNI SHIM OUTPUT 0.30MM		
34.	200000	OMNI RETAINING RING		
35.	070250	OMNI GASKET-OUTPUT 0.10MM		
36.	070251	OMNI GASKET-OUTPUT 0.20MM		
37.	070252	OMNI GASKET-OUTPUT 0.30MM		
38.	070253	OMNI GASKET-OUTPUT 0.50MM		
39.	060128	OMNI SEAL-OUTPUT CR15822		
40.	020225	OMNI CAP-OUTPUT		
41.	120050	OMNI NUT HEX SLOTTED, 1-14UNC		
42.	100001	OMNI COTTER PIN 5 X 50		
43.	140017	OMNI PLUG PIPE SQ HD1/8-27NPTF		
44.	090341	OMNI SPACER, INPUT		

**Gearbox Center & Right Deck (826-327C) Comer (S/N 368118 +)**

Applies to AFM4014 and AFM40168



19550

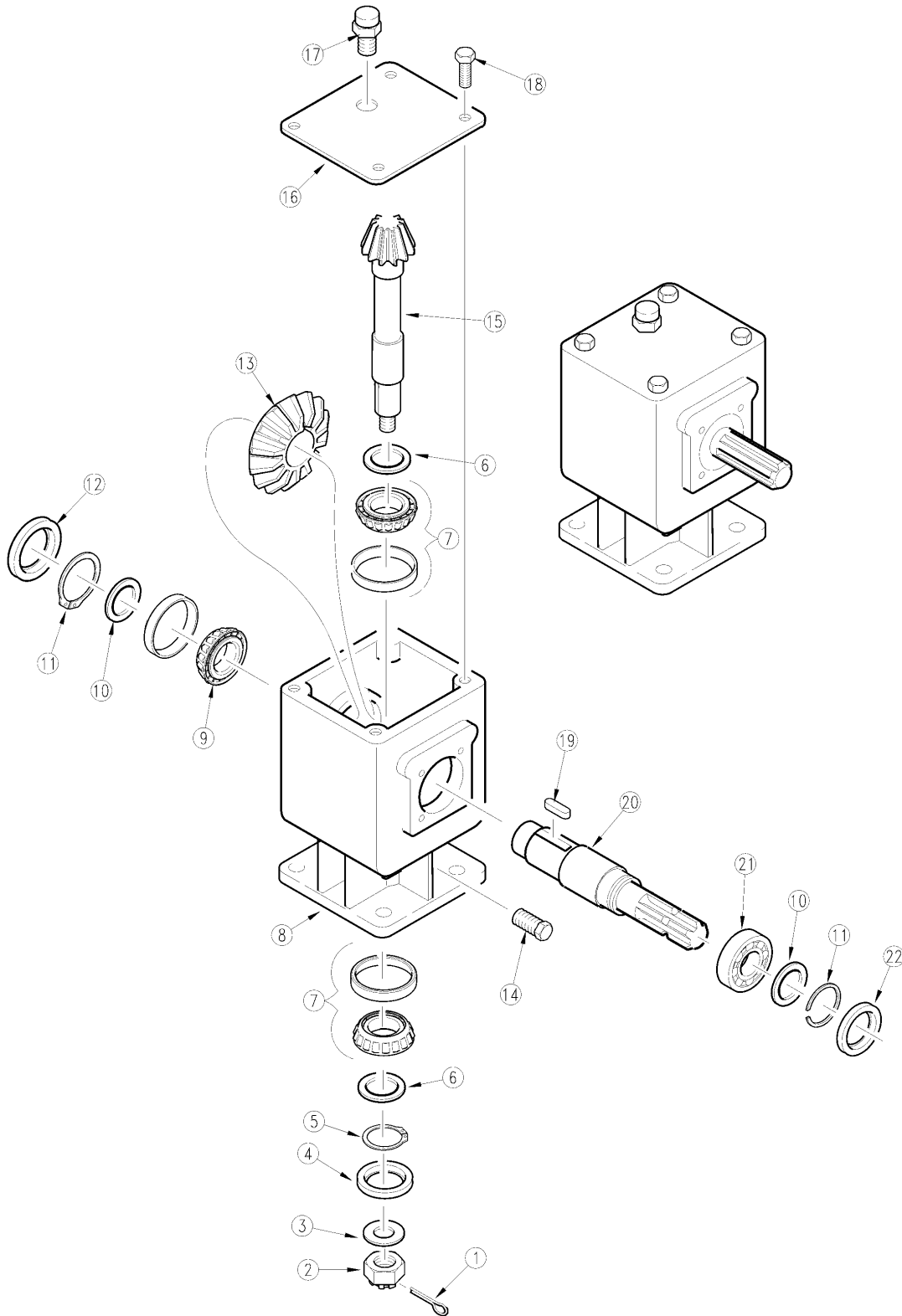


***Gearbox Center & Right Deck (826-327C) Comer (S/N 368118 +)*****Applies to AFM4014 and AFM40168**

<b>Ref</b>	<b>Part No.</b>	<b>Part Description</b>	<b>Comments</b>	<b>Revision</b>
	dwg19550	Drawing Image Number		
	826-327C	GBOX MOWER 50 HP 1:2.8 CCW		
1.	8.6.5.00006	CO OIL PLUG 3/8		
2.	8.1.1.00501	CO BOLT M8X22 HHB		
3.	0.195.1300.00	CO COVER		
4.	0.195.2000.00	CO INPUT SHAFT 1" 3/8 Z6		
5.	8.7.0.00744	CO CAP 72 X 10		
6.	8.5.2.00131	CO SNAP RING INT 72 UN17437		
7.	A.248.500	COMER SHIM KIT 71.7		
8.	822-166C	BEARING BALL 6207		
9.	8.5.1.00680	CO SNAP RING 40 UNI 7436		
10.	0.259.7525.00	CO SHIM 35.3 X 48 X 2.5		
11.	0.195.0300.00	CO HOUSING		
12.	8.0.9.00102	CO ROLLER BEARING 32208 CL-B		
13.	0.278.7103.00	CO NUT M40 X 1.5		
14.	8.7.3.00081	CO OIL SEAL 35 X 80 X 10 RTA35		
15.	1.195.7100.00	CO PROTECTIVE FLAT WASHER		
16.	8.5.3.00955	CO SNAP RING SB 81		
17.	8.3.2.00409	CO FLAT WASHER 25 X 44 X 4		
18.	8.2.2.01144	NUT CASTLE M 24 X 2		
19.	8.4.7.00516	CO COTTER PIN B5 X 50		
20.	A244.501	CO SHIM 40.3 X 51.5 826-067C		
21.	0.195.5000.00	CO PINION Z12 M4.7		
22.	8.0.9.00026	CO ROLLER BEARING 30207 CL-B		
23.	8.7.3.00055	CO OIL SEAL 35 X 72 X 10		
24.	0.195.6000.00	CO CROWN GEAR Z33 M4.7		
25.	U0.195.7101.00	CO OIL LEVEL PLUG 3/8" GAS		

# Gearbox Left Deck (826-121C) Comer (S/N 211886-)

Applies to AFM4014 and AFM40168



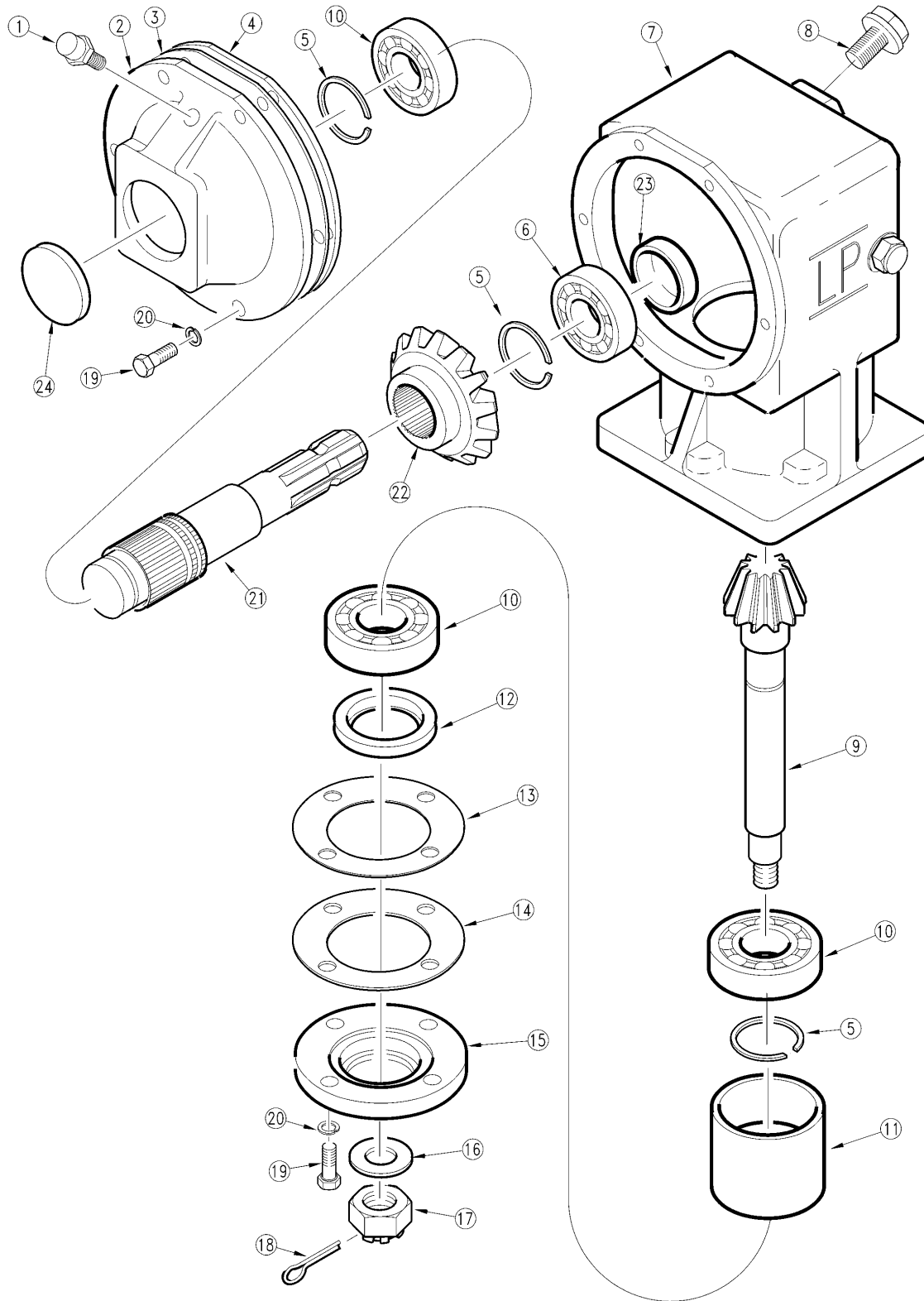
12760

***Gearbox Left Deck (826-121C) Comer (S/N 211886-)*****Applies to AFM4014 and AFM40168**

<b>Ref</b>	<b>Part No.</b>	<b>Part Description</b>	<b>Comments</b>	<b>Revision</b>
	dwg12760	Drawing Image Number		
	826-121C	RPBY 826-206C	1st revision	
1.	8.4.7.00516	CO COTTER PIN M5 X 50		
2.	8.2.2.01144	NUT M 24 X 2		
3.	8.3.2.00409	FLAT WASHER 24 X 44 X 4		
4.	8.7.3.00027	CO OIL SEAL 40 X 80 X 10		
5.	8.5.1.00680	CO SNAP RING 40 UNI 7436		
6.	A.244.500	COMER SHIM KIT 51.5		
7.	8.0.9.00024	CO BEARING 30208		
8.	0.151.0300.00	CO GEARBOX HOUSING LF-151A		
9.	8.0.9.00026	REP BY 822-167C		
10.	A.248.500	COMER SHIM KIT 71.7		
11.	8.5.2.00131	CO SNAP RING INT 72 UN17437		
12.	8.7.0.00744	CO CAP 72 X 10		
13.	0.151.5201.00	CO GEAR Z34 M4.55		
14.	8.6.5.00006	CO OIL PLUG 3/8		
15.	0.151.6208.00	CO PINION Z34 M4.55		
16.	0.140.1300.00	CO GEARBOX TOP COVER		
17.	0.286.7100.00	REP BY 8.6.7.00269		
18.	8.1.1.00343	CO BOLT M8 X 14 8.8		
19.	8.4.1.01141	CO PAR. KEY M 12 X 8 X 30		
20.	0.151.2001.00	CO GB SHAFT 1 3/8 LF-151A		
21.	822-166C	BEARING BALL 6207		Rev. 2
21.	8.0.1.00870	RPBY 822-166C		Rev 1; Use up stock
22.	8.7.3.00055	CO OIL SEAL 35 X 72 X 10		

**Gearbox Left Deck (826-121C) ITG (S/N 211886-)**

Applies to AFM4014 and AFM40168



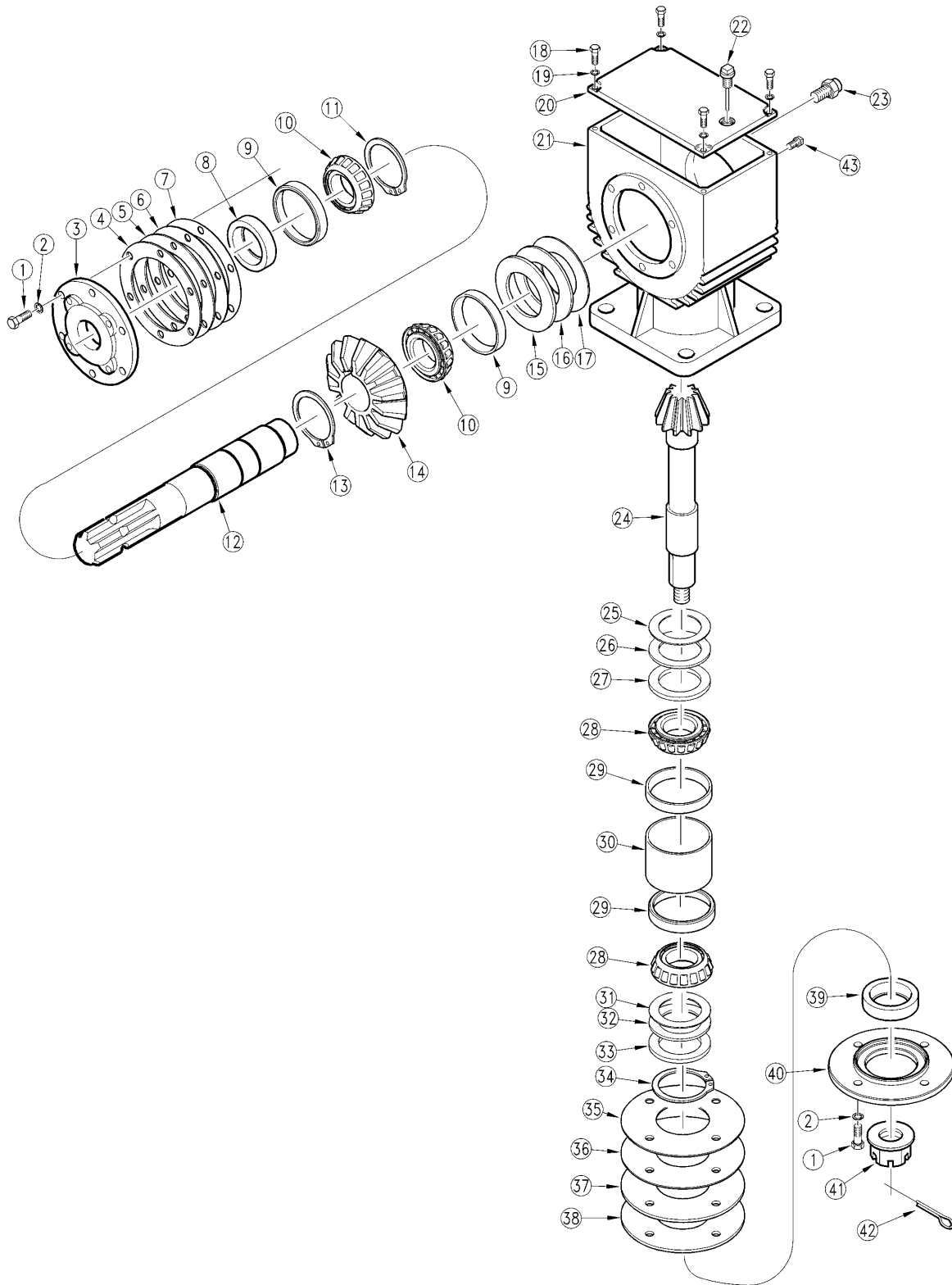
13815

***Gearbox Left Deck (826-121C) ITG (S/N 211886-)*****Applies to AFM4014 and AFM40168**

<b>Ref</b>	<b>Part No.</b>	<b>Part Description</b>	<b>Comments</b>	<b>Revision</b>
	dwg13815	Drawing Image Number		
	826-121C	RPBY 826-206C)		
1.	09-011	ITG M18 X 1.5P PLUG VENTED		
2.	20-031	ITG INPUT HUB CAP		
3.	08-030	ITG GASKET (0.30MM)		
4.	08-031	ITG GASKET (0.13MM)		
5.	21-012	ITG RETAINING RING		
6.	822-166C	BEARING BALL 6207 2nd revision		Rev. 2
6.	04-004	RPBY 822-166C		Rev 1; Use up stock
7.	18-035	ITG G-BOX HOUSING		
8.	09-011	ITG M18 X 1.5P PLUG VENTED		
9.	03-074	REP BY 826-326C		
10.	04-003	REP BY 822-188C		
11.	10-042	ITG SPACER		
12.	05-005	ITG OUTPUT OIL SEAL		
13.	08-005A	ITG OUTPUT CAP GASKET 0.25MM		
14.	08-005B	ITG OUTPUT CAP GASKET 0.10MM		
15.	20-003	ITG OUTPUT CAP		
16.	07-007	ITG WASHER		
17.	11-007	ITG 1"-14 SLOTTED HEX NUT		
18.	12-003	ITG COTTER PIN		
19.	06-012	ITG M10 X 1.5 X 25 CAP SCREW		
20.	07-001	RPBY 804-158C		
21.	02-035	ITG INPUT SHAFT		
22.	03-075	ITG 48 TOOTH INPUT GEAR		
23.	05-002	ITG INPUT OIL SEAL		
24.	09-009	ITG CAP PLUG		

**Gearbox Left Deck (826-206C) OMNI (S/N 211887 to 368117)**

Applies to AFM4014 and AFM40168



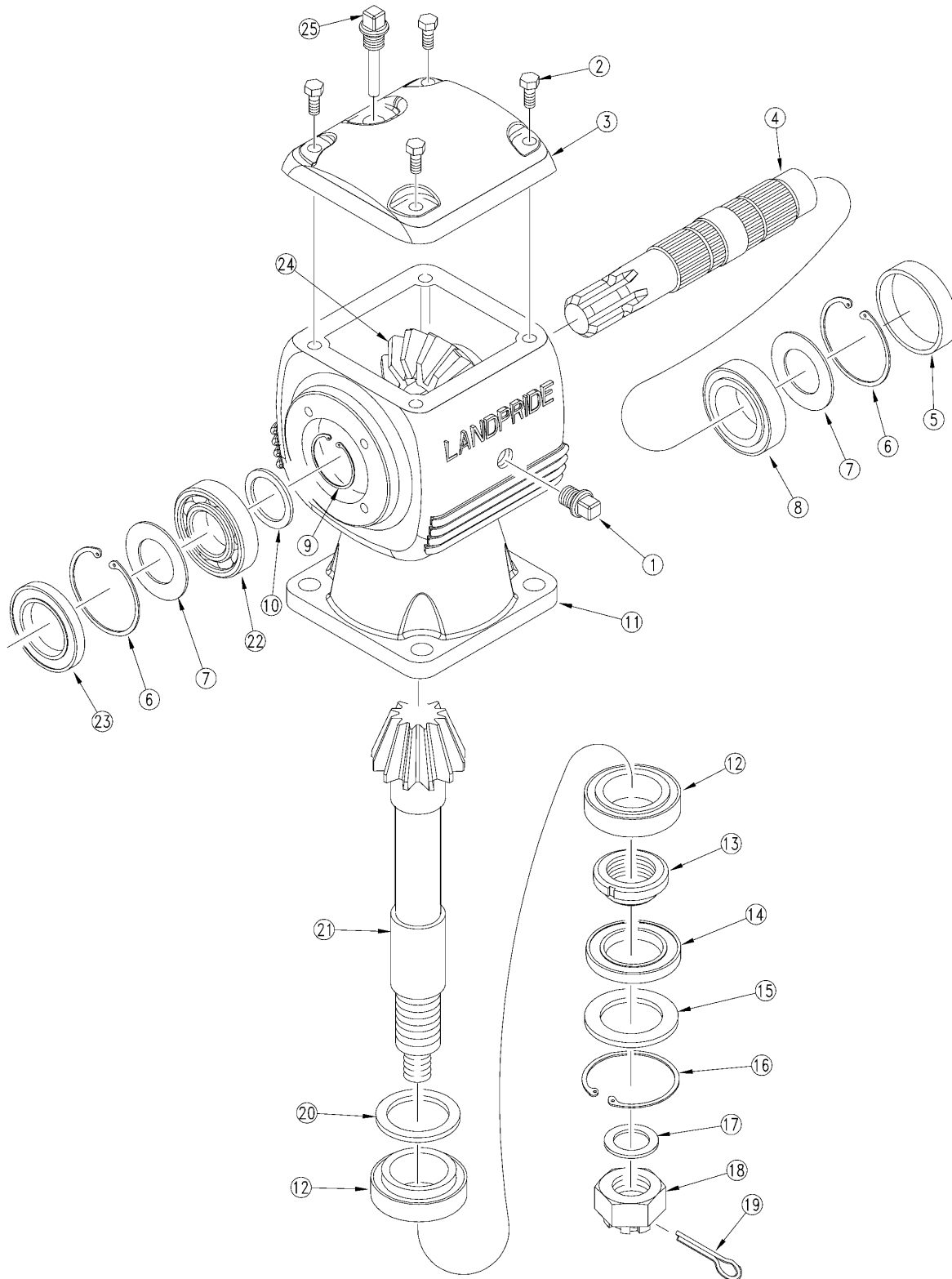
15934

**Gearbox Left Deck (826-206C) OMNI (S/N 211887 to 368117)****Applies to AFM4014 and AFM40168**

Ref	Part No.	Part Description	Comments	Revision
	dwg15934	Drawing Image Number		
	826-206C	REP BY 826-296C		Rev. 1
1.	110192	OMNI SCREW-5/16"-18UNC X 7/8"		
2.	130006	REP BY 804-009C		
3.	020224	OMNI CAP-INPUT		
4.	070249	OMNI GASKET-INPUT 0.50MM		
5.	070248	OMNI GASKET-INPUT 0.30MM		
6.	070247	OMNI GASKET-INPUT 0.20MM		
7.	070246	OMNI GASKET-INPUT 0.10MM		
8.	060127	OMNI SEAL-INPUT CR13930		
9.	050170	REP BY 822-167C		
10.	050172	REP BY 822-167C		
11.	200140	OMNI RTNG. RING 38MM RC DSH-38		
12.	040335	OMNI SHAFT-INPUT 1-3/8"-6 SPLN		
13.	200141	OMNI RTNG. RING 38MM RC DSH-38		
14.	030457	OMNI GEAR INPUT, 34T		
15.	090181	OMNI SHIM INPUT 0.30MM		
16.	090180	OMNI SHIM INPUT 0.20MM		
17.	090179	REP BY 090180		
18.	110009	OMNI SCREW-1/4"-20 UNC X 3/4"		
19.	130028	OMNI LOCKWASHR 1/4" SPLIT TYPE		
20.	240280	OMNI INSPECTION COVER		
21.	010175	OMNI HOUSING-RC-25		
22.	140047	OMNI PLUG SQ.HD.1/2-14NPT W/DP		
23.	8.6.7.00269	CO 1/2" GAS BREATHER PLUG		Rev. 3
23.	140000	OMNI PIPE PLUG 1/2' SQ HEAD	(S/N 215411+)	Rev. 2 not compat. w/Rev. 1
23.	140033	OMNI PLUG VENT 1/2-14 NPTF	(S/N 215410-)	Rev. 1
24.	030456	OMNI PINION-OUTPUT 12T	Current setting 3-5 lbs.	
24.	8.6.7.00269	CO 1/2" GAS BREATHER PLUG	Optional heavier setting 7.5-15 lbs	
25.	090182	REP BY 090183		
26.	090183	OMNI SHIM OUTPUT 0.20MM		
27.	090184	OMNI SHIM OUTPUT 0.30MM		
28.	050197	REP BY 822-191C		
29.	050195	REP BY 822-191C		
30.	090185	OMNI SPACER OUTPUT		
31.	090186	OMNI SHIM OUTPUT 0.10MM		
32.	090187	OMNI SHIM OUTPUT 0.20MM		
33.	090188	OMNI SHIM OUTPUT 0.30MM		
34.	200000	OMNI RETAINING RING		
35.	070250	OMNI GASKET-OUTPUT 0.10MM		
36.	070253	OMNI GASKET-INPUT 0.50MM		
37.	070252	OMNI GASKET-INPUT 0.30MM		
38.	070251	OMNI GASKET-INPUT 0.20MM		
39.	060128	OMNI SEAL-OUTPUT CR15822		
40.	020225	OMNI CAP-OUTPUT		
41.	120050	OMNI NUT HEX SLOTTED, 1-14UNC		
42.	100001	OMNI COTTER PIN 5 X 50		
43.	140017	OMNI PLUG PIPE SQ HD1/8-27NPTF		

**Gearbox Left Deck (826-326C) Comer (S/N 368118+)**

Applies to AFM4014 and AFM40168



19549

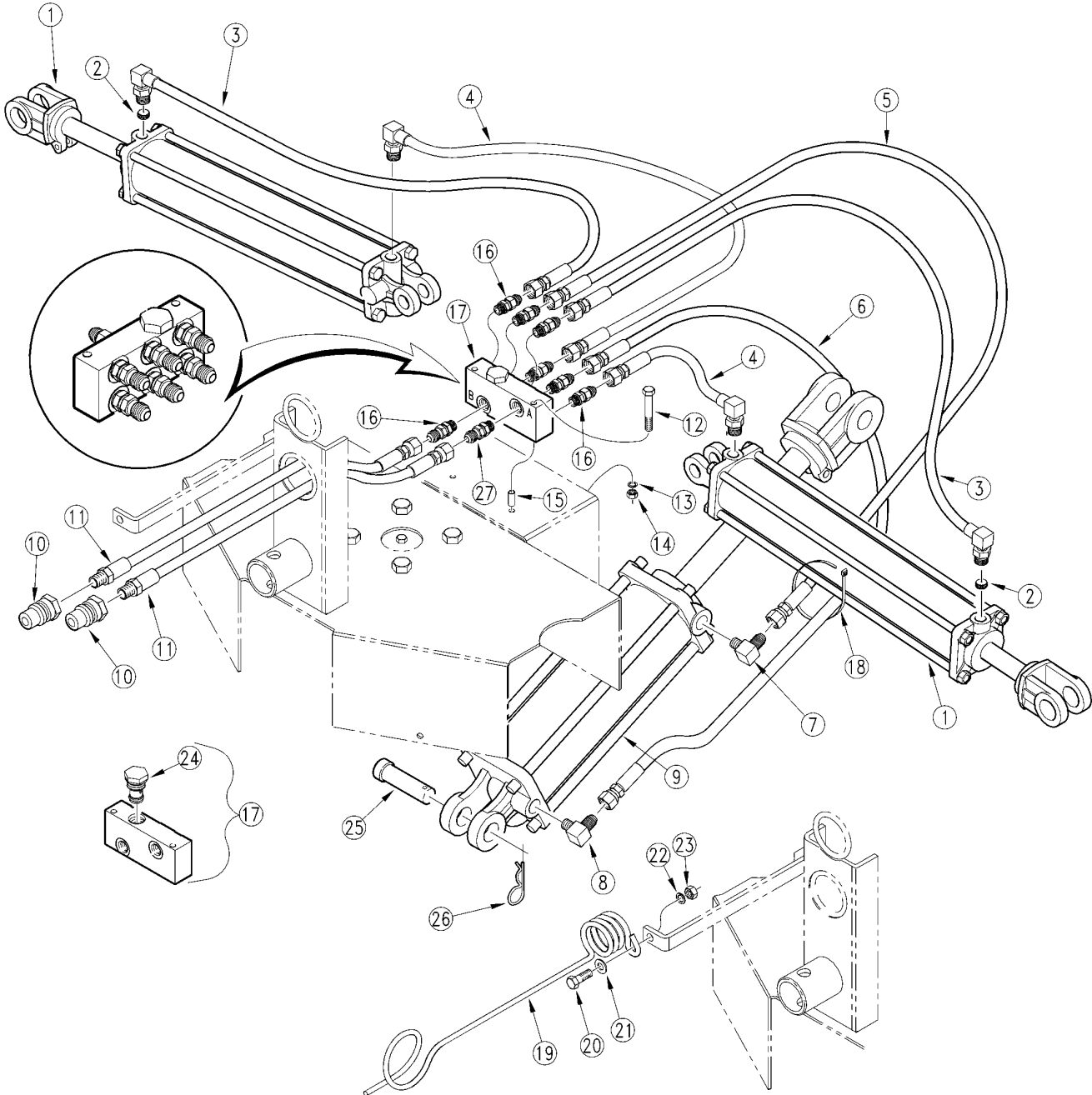


***Gearbox Left Deck (826-326C) Comer (S/N 368118+)*****Applies to AFM4014 and AFM40168**

Ref	Part No.	Part Description	Comments	Revision
	dwg19549	Drawing Image Number		
	826-326C	GBOX MOWER 50 HP 1:2.8 CW		
1.	8.6.5.00006	CO OIL PLUG 3/8		
2.	8.1.1.00501	CO BOLT M8X22 HHB		
3.	0.195.1300.00	CO COVER		
4.	0.195.2000.00	CO INPUT SHAFT 1" 3/8 Z6		
5.	8.7.0.00744	CO CAP	72 X 10	
6.	8.5.2.00131	CO SNAP RING INT 72 UN17437		
7.	A.248.500	COMER SHIM KIT 71.7		
8.	8.0.9.00026	CO ROLLER BEARING 30207 CL-B		
9.	8.5.1.00680	CO SNAP RING 40 UNI 7436		
10.	0.259.7525.00	CO SHIM 35.3 X 48 X 2.5		
11.	0.195.0300.00	CO HOUSING		
12.	8.0.9.00102	CO ROLLER BEARING 32208 CL-B		
13.	0.278.7103.00	CO NUT M40 X 1.5		
14.	8.7.3.00081	CO OIL SEAL 35 X 80 X 10 RTA35		
15.	1.195.7100.00	CO PROTECTIVE FLAT WASHER		
16.	8.5.3.00955	CO SNAP RING SB 81		
17.	8.3.2.00409	CO FLAT WASHER 25 X 44 X 4		
18.	8.2.2.01144	NUT CASTLE M 24 X 2		
19.	8.4.7.00516	CO COTTER PIN B5 X 50		
20.	A244.501	CO SHIM 40.3 X 51.5 826-067C		
21.	0.195.5000.00	CO PINION Z12 M4.7		
22.	822-166C	BEARING BALL 6207		
23.	8.7.3.00055	CO OIL SEAL 35 X 72 X 10		
24.	0.195.6000.00	CO CROWN GEAR Z33 M4.7		
25.	U0.195.7101.00	CO OIL LEVEL PLUG 3/8" GAS		

# Hydraulic Arrangement

Applies to AFM4014 and AFM40168



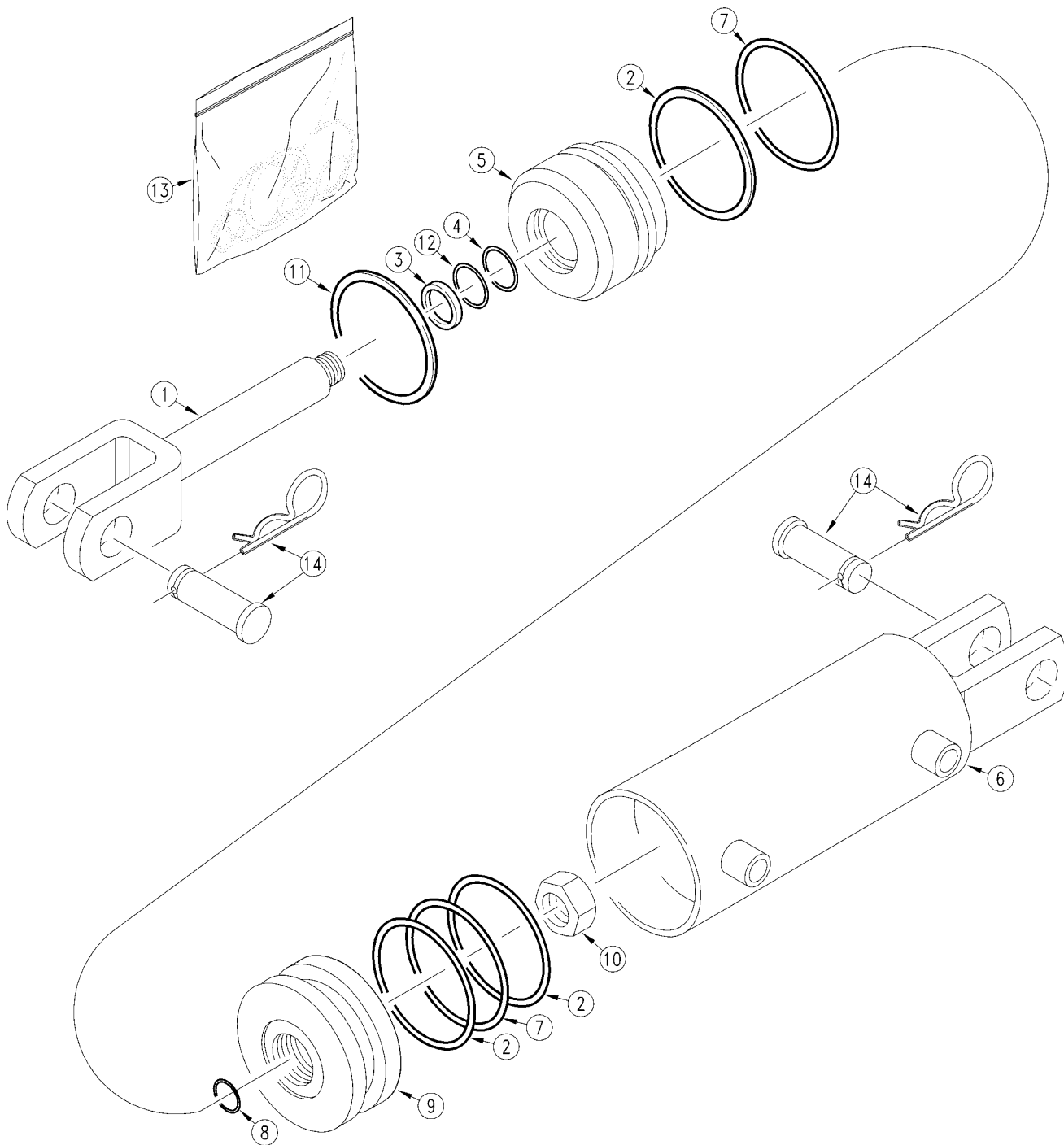
13562

**Hydraulic Arrangement****Applies to AFM4014 and AFM40168**

Ref	Part No.	Part Description	Comments	Revision
	dwg13562	Drawing Image Number		
1.	810-150C	CYL 2.5X12X1.25 ROD (TIE ROD)		
2.	811-447C	ORPL 1/32 9/16MORB	(S/N 234494-)	
3.	811-445C	HH1/4R2 035 9/16FJIC 3/8MORB90		
4.	811-444C	HH1/4R2 020 9/16FJIC 3/8MORB90		
5.	811-442C	HH1/4R2 028 9/16FJIC		
6.	811-443C	HH1/4R2 036 9/16FJIC		
7.	811-065C	EL 9/16MJIC 9/16MORB	(S/N 234477+)	Rev. 2 not compat. w/Rev. 1
7.	811-332C	OREL 1/32 9/16MJIC 3/8MNPT	(S/N 234476-)	Rev. 1
8.	811-065C	EL 9/16MJIC 9/16MORB	(S/N 234477+)	Rev. 2 not compat. w/Rev. 1
8.	811-119C	EL 3/8MNPT 9/16MJIC	(S/N 234476-)	Rev. 1
9.	810-200C	CYL 2.5X8X1.12 ROD (TIE)1 PIN	(S/N 234477+)	Rev. 2 not compat. w/Rev. 1
9.	810-005C	CYL 2X8X1.12 ROD SINGLE ACTING	(S/N 234476-)	Rev. 1
10.	811-394C	CP 3/4FORB MALE QD		
11.	811-441C	HH1/4R2 096 9/16FJIC 3/4 MORB		
12.	802-451C	HHCS 1/4-20X4 GR5		Rev. 2
12.	802-308C	HHCS 1/4-20X3 1/4 GR5		Rev 1; Use up stock
13.	804-006C	WASHER LOCK SPRING 1/4 PLT		
14.	803-006C	NUT HEX 1/4-20 PLT		
15.	315-743D	SPCR 1/2 OD X .28ID X 1 3/8		Rev. 2
15.	315-492D	SPCR 1/2 OD X .28 ID X 5/8		Rev 1; Use up stock
16.	811-170C	AD 9/16MORB 9/16MJIC		
17.	811-495C	SP-8 PORT RELIEF 9/16-18FORB		
18.	800-060C	CABLE TIE .19X14.25 3DIA 50LB		
19.	807-023C	SPRING HOSE LOOP	(SN 176350+)	
20.	802-079C	HHCS 3/8-16X1 1/4 GR5	(SN 176350+)	
21.	804-012C	WASHER FLAT 3/8 SAE PLT	(SN 176350+)	
22.	804-013C	WASHER LOCK SPRING 3/8 PLT	(SN 176350+)	
23.	803-014C	NUT HEX 3/8-16 PLT	(SN 176350+)	
24.	8026	SHMKR CRTRDG RELIEF VALVE ASSY		Rev. 2
24.	1497	RPBY 8026		Rev 1; Use up stock
25.	805-004C	PIN CLEVIS 1 X 2 3/4 USABLE LG		
26.	805-088C	PIN, HAIR COTTER 3/16 WIRE DIA		Rev. 2
27.	811-694C	ORAD 1		Rev 1; Use up stock

# Hydraulic Cylinder (810-005C)

Applies to AFM4014 and AFM40168



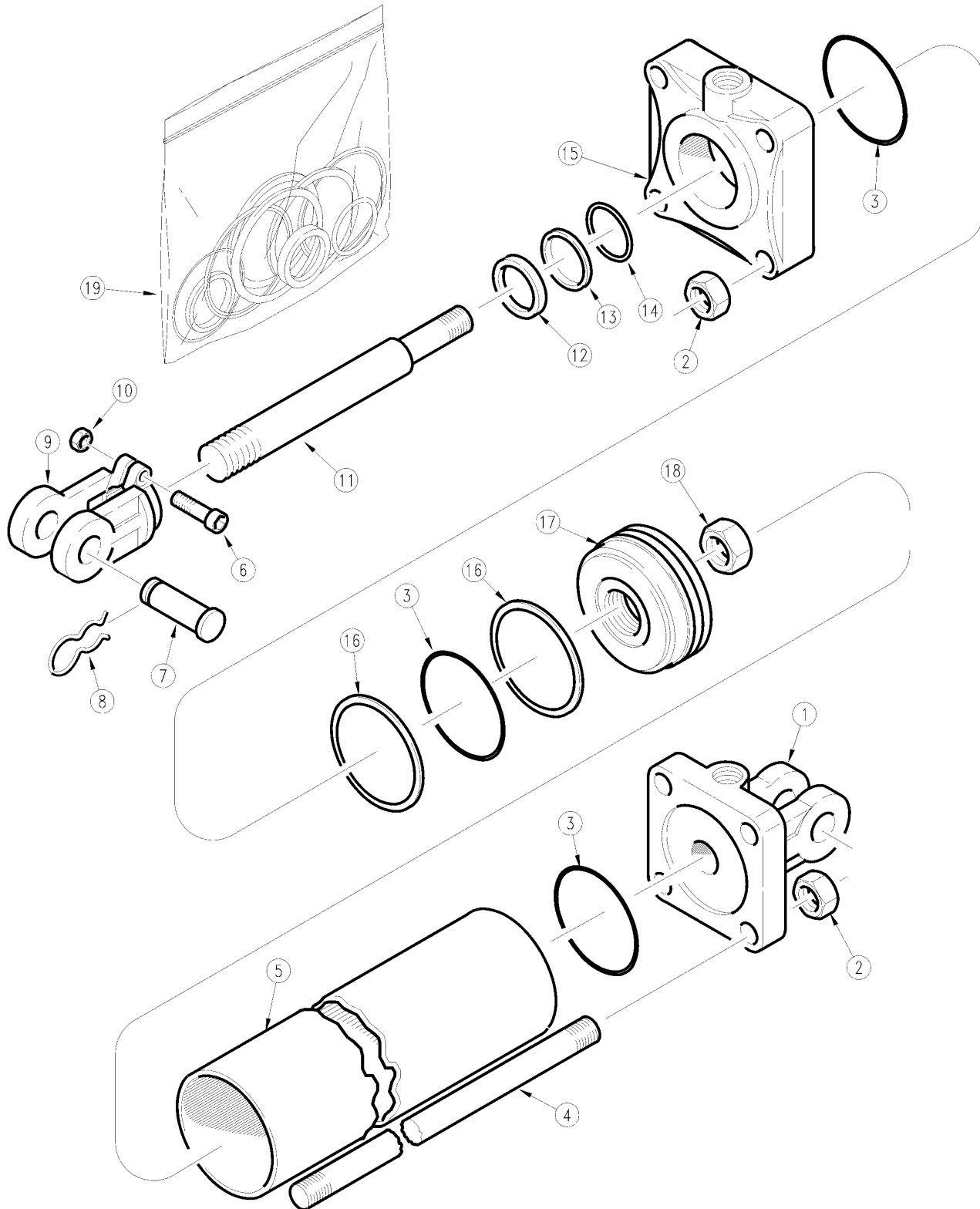
14078

**Hydraulic Cylinder (810-005C)****Applies to AFM4014 and AFM40168**

<b>Ref</b>	<b>Part No.</b>	<b>Part Description</b>	<b>Comments</b>	<b>Revision</b>
	dwg14078	Drawing Image Number		
	810-005C	CYL 2X8X1.12 ROD SINGLE ACTING		
1.	A-2526	EGY PISTON ROD		
2.		BACKUP RING 2" OD	Only found in seal kit 13.	
3.		WIPER ROD	Only found in seal kit 13.	
4.		O-RING 1 1/8" ID X 1 3/8"OD	Only found in seal kit 13.	
5.	A-1906	EGY PISTON ROD GUIDE		
6.	B-988	EGY CYLINDER BODY		
7.		O-RING 1 5/8" ID X 2"OD	Only found in seal kit 13.	
8.		O-RING 3/4" ID X 7/8" OD	Only found in seal kit 13.	
9.	A-1845	EGY PISTON		
10.	82464	EGY 7/8-14UNF REG HEX LOCK NUT		
11.	83198	EGY RETAINER RING INTERNAL		
12.		BACKUP RING 1 3/8" OD	Only found in seal kit 13.	
13.	810-012C	CYL SEAL KIT 2 X 8 (ENERGY)		
14.	805-004C	PIN CLEVIS 1 X 2 3/4 USABLE LG		

# Hydraulic Cylinder (810-150C) Cross

Applies to AFM4014 and AFM40168



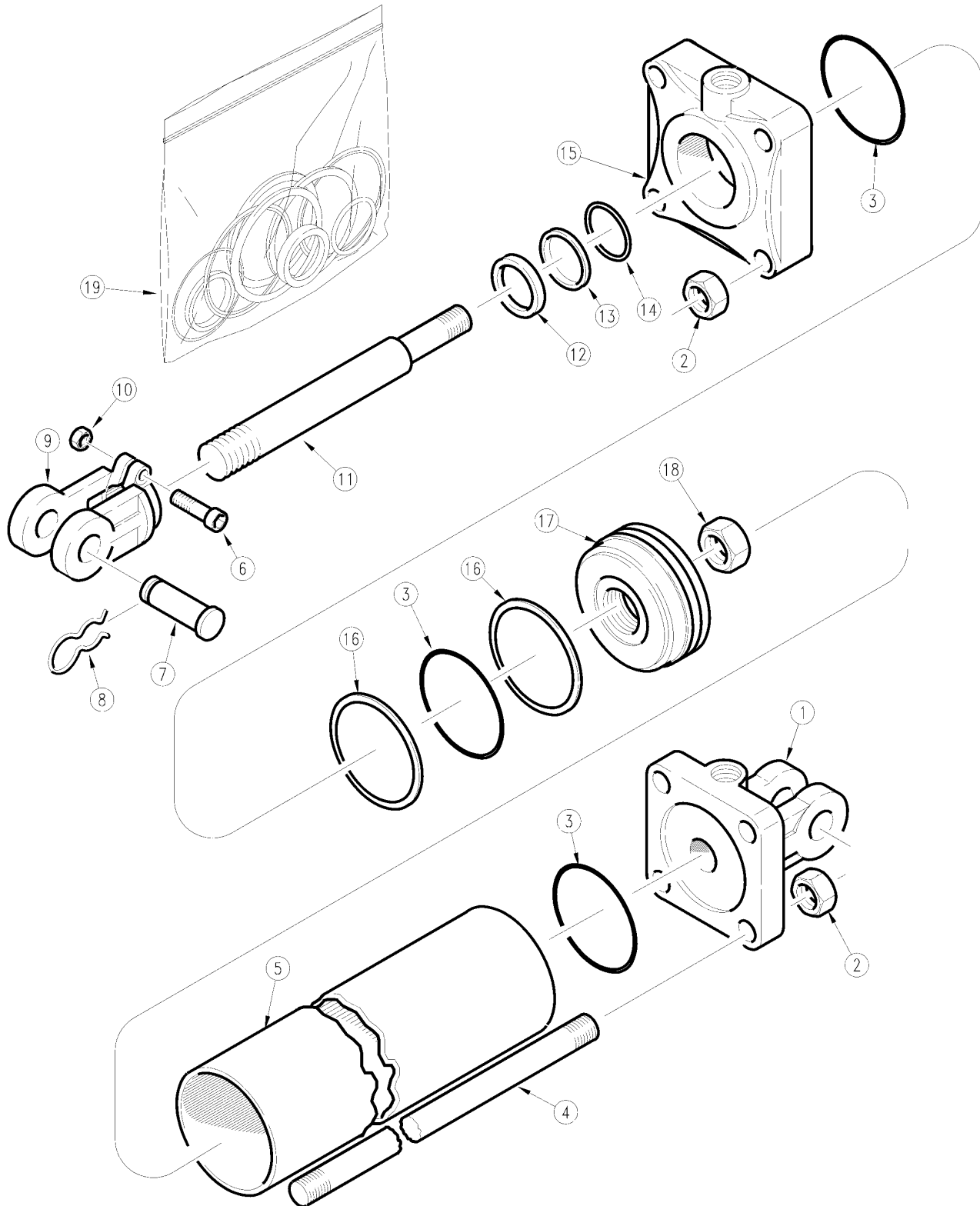
11421

***Hydraulic Cylinder (810-150C) Cross*****Applies to AFM4014 and AFM40168**

<b>Ref</b>	<b>Part No.</b>	<b>Part Description</b>	<b>Comments</b>	<b>Revision</b>
	dwg11421	Drawing Image Number		
	810-150C	CYL 2.5X12X1.25 ROD (TIE ROD)		
1.	1D1505-3	BASE CROSS		
2.	2A0235-6	CROSS NUT, CLEVIS & TIE ROD		
3.		O-RING	Only found in seal kit 19.	
4.	2A0578-1675	TIE ROD CROSS		
5.	1D0005-1450	TUBE CROSS		
6.	2A0079-616	CROSS SCREW, CAP		
7.	1D1551-16275	CROSS CLEVIS PIN		
8.	2A0308-1	REP BY 805-032C		
9.	1D1003-5	CROSS ROD CLEVIS		
10.	2A0235-6	CROSS NUT, CLEVIS & TIE ROD		
11.	1D0206-1675	ROD CROSS		
12.		WIPER	Only found in seal kit 19.	
13.		BACKUP ROD	Only found in seal kit 19.	
14.		O-RING	Only found in seal kit 19.	
15.	1D1155-17	HEAD CROSS		
16.		BACKUP PISTON	Only found in seal kit 19.	
17.	1D1401-250	PISTON CROSS		
18.	2A0246-12	CROSS NUT, PISTON		
19.	810-178C	SEAL KIT CROSS 2.5 CYL 1C4982		

# Hydraulic Cylinder (810-150C) Midway

Applies to AFM4014 and AFM40168



11421

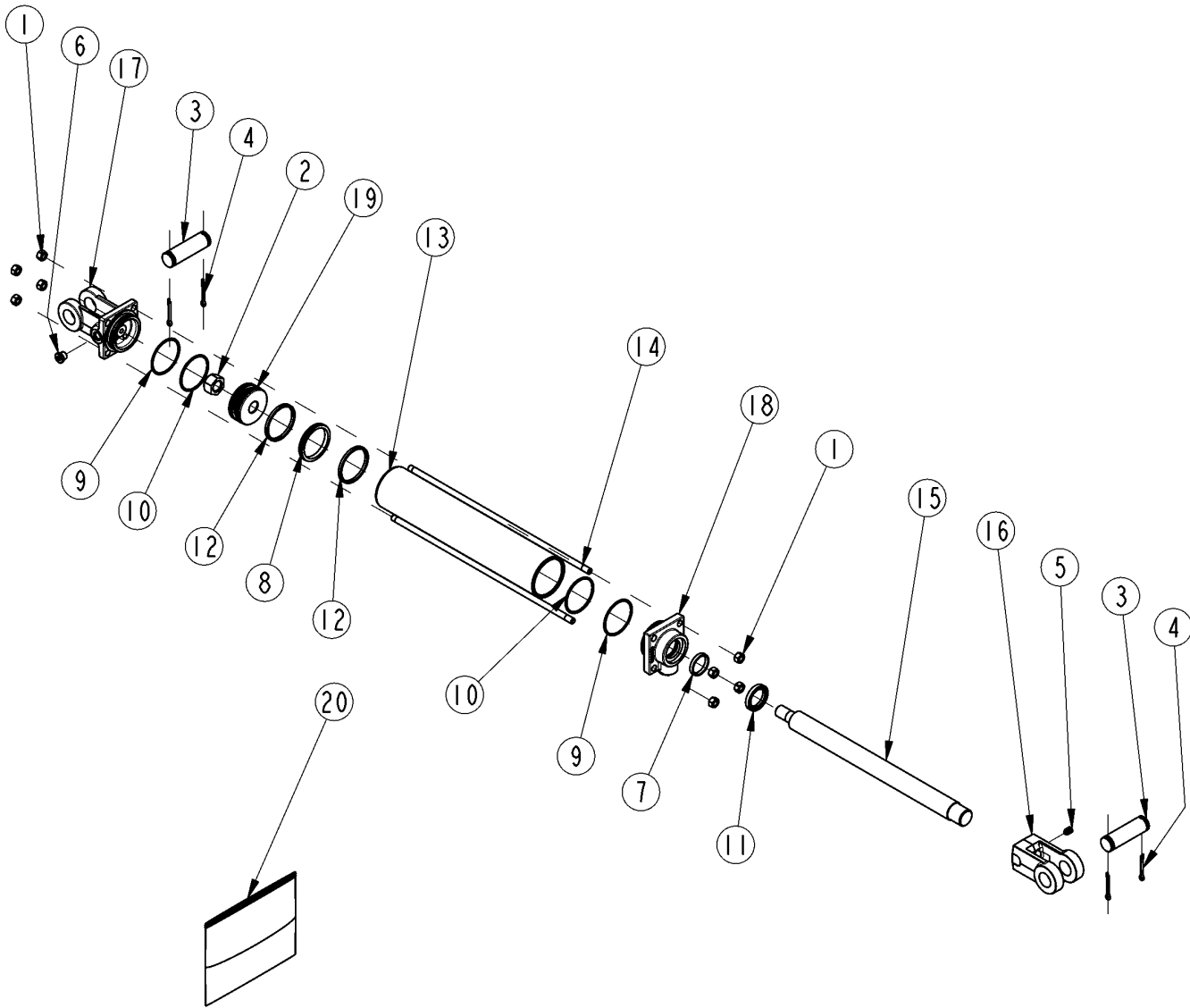


***Hydraulic Cylinder (810-150C) Midway*****Applies to AFM4014 and AFM40168**

<b>Ref</b>	<b>Part No.</b>	<b>Part Description</b>	<b>Comments</b>	<b>Revision</b>
	dwg11421	Drawing Image Number		
	810-150C	CYL 2.5X12X1.25 ROD (TIE ROD)		
1.	6M3118	MW BASE		
2.	2A0012	MW NUT CLEVIS & TIE ROD		
3.		O-RING	Only found in seal kit 19.	
4.	7M3320	MW TIE	ROD	
5.	5M3120	MW TUBE		
6.	2A0006	REPL. BY 802-023C		
7.	2A0208	MW CLEVIS PIN		
8.	2A0132	MW PIN CLIP		
9.	1M6010	MW CLEVIS STD. DUTY		
10.	2A0012	MW NUT CLEVIS & TIE ROD		
11.	2M3418	MW ROD		
12.		WIPER	Only found in seal kit 19.	
13.		BACKUP ROD	Only found in seal kit 19.	
14.		O-RING	Only found in seal kit 19.	
15.	3M3406	MW HEAD		
16.		BACKUP PISTON	Only found in seal kit 19.	
17.	4M3102	REPL. BY 4M3108		
18.	2A0022	MW NUT, PISTON		
19.	810-177C	SEAL KIT MW 2.5X1.25ROD 3A3104		

# Hydraulic Cylinder (810-150C) Red Lion

Applies to AFM4014 and AFM40168



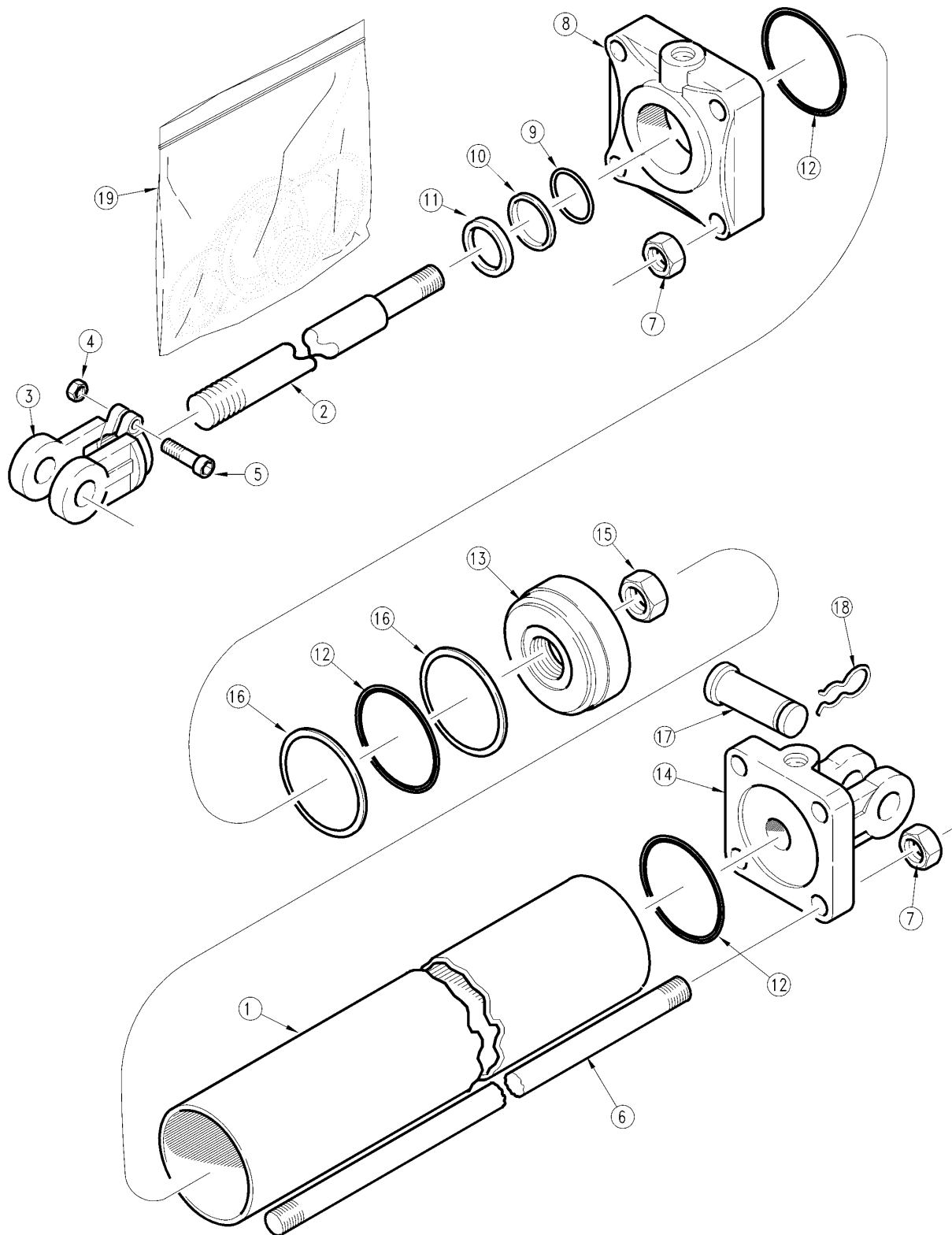
25899

***Hydraulic Cylinder (810-150C) Red Lion*****Applies to AFM4014 and AFM40168**

<b>Ref</b>	<b>Part No.</b>	<b>Part Description</b>	<b>Comments</b>	<b>Revision</b>
	dwg25899	Drawing Image Number		
	810-150C	CYL 2.5X12X1.25 ROD (TIE ROD) *		
1.	803-014C	NUT HEX 3/8-16 PLT		
2.	130556	MON PISTON NUT		
3.	134953	LION PIN		
4.	135995	MON CLEVIS PIN COTTER		
5.	801-023C	SCREW SET SH 3/8-16X3/8 TYPE C		
6.	186561	PLUG 9/16-18UNF MORB SOCKET HD		
7.	N/A	MON ROD SEAL	Only Found in Kit #20	
8.	N/A	MON PISTON SEAL	Only Found in Kit #20	
9.	N/A	MON END CAP BACKUP WASHERS	Only Found in Kit #20	
10.	N/A	MON END CAP O-RING	Only Found in Kit #20	
11.	N/A	SEAL WIPER ROD	Only Found in Kit #20	
12.	N/A	MON PISTON WEAR RING	Only Found in Kit #20	
13.	491672	LION CYL TUBE 2.5 X 12		
14.	492222	LION TIE ROD 3/8, 12 CYL		
15.	492647	LION ROD 1.25 X 12		
16.	492650	LION ROD CLEVIS 1 1/8-12UNF		
17.	492688	LION CLEVIS CAP 2.5, 9/16 ORB		
18.	492724	LION ROD CAP 2.5X1.25 9/16 ORB		
19.	494768	MON PISTON		
20.	645004	MON SEALS REPAIR KIT		

# Hydraulic Cylinder (810-200C) Midway

Applies to AFM4014 and AFM40168



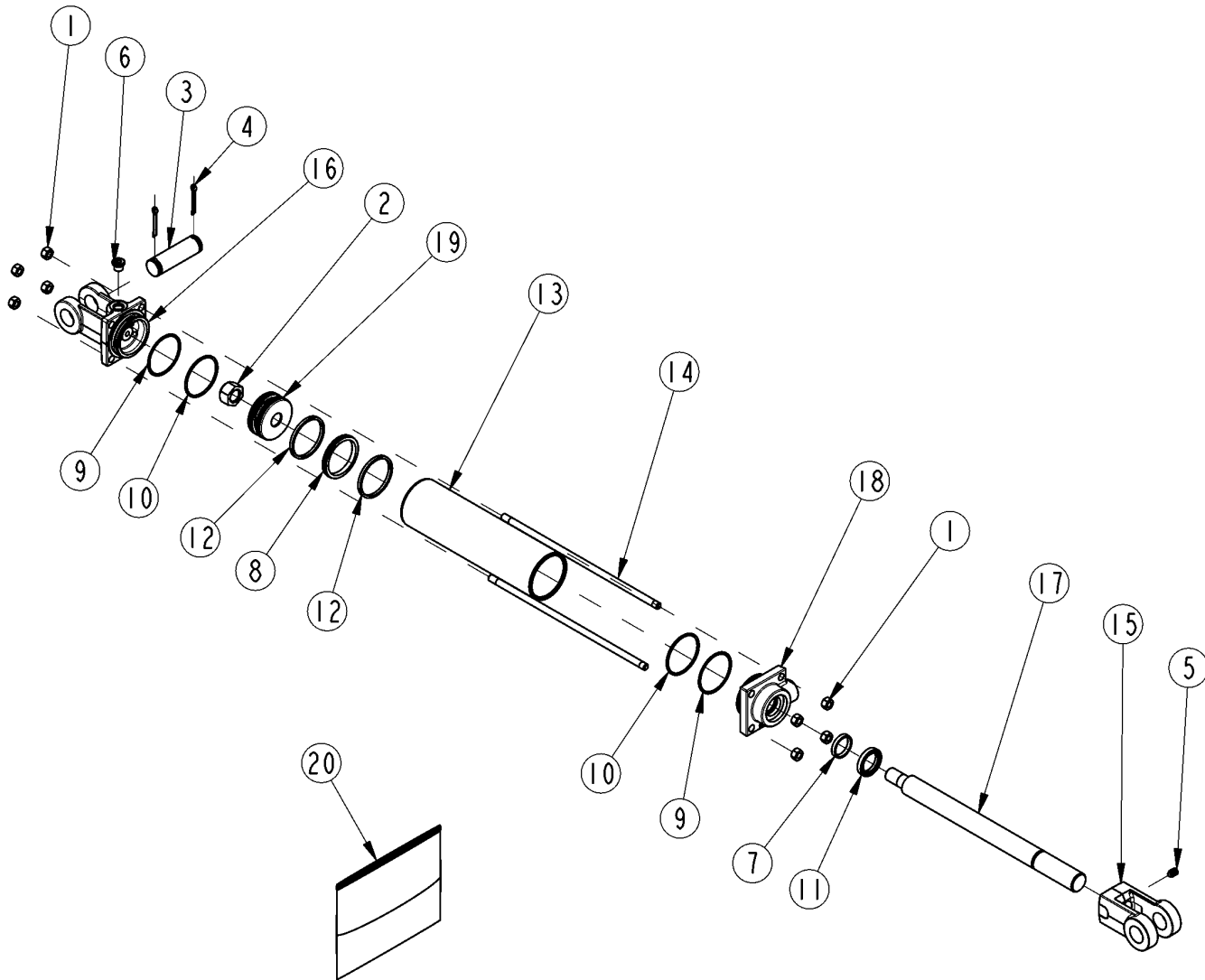
10219

***Hydraulic Cylinder (810-200C) Midway*****Applies to AFM4014 and AFM40168**

<b>Ref</b>	<b>Part No.</b>	<b>Part Description</b>	<b>Comments</b>	<b>Revision</b>
	dwg10219	Drawing Image Number		
	810-200C	CYL 2.5X8X1.12 ROD (TIE)1 PIN		
1.	5M4124	MW TUBE 3 X 16 CYLINDER		
2.	2M4422	MW ROD 1-1/4 DIA. X 16 STROKE		
3.	1M6010	MW CLEVIS STD. DUTY		
4.	2A0012	MW NUT CLEVIS & TIE ROD		
5.	2A0006	REPL. BY 802-023C		
6.	7M4324	MW TIE ROD 3 X 16 CYLINDER		
7.	2A0014	MW TIE ROD NUT		
8.	3M4410	REPL. BY 3R1410		
9.		O-RING	Only found in seal kit 19	
10.		BACK-UP	Only found in seal kit 19	
11.		WIPER SEAL	Only found in seal kit 19	
12.		O-RING	Only found in seal kit 19	
13.	4M4104	MW PISTON 3" DIA.		
14.	6M4152	REP BY 6R1146		
15.	2A0024	MW PISTON NUT 1"-14		
16.		BACK-UP	Only found in seal kit 19	
17.	2A0208	MW CLEVIS PIN		
18.	2A0132	MW PIN CLIP		
19.	810-210C	SEAL KIT MW 2.5 CYL 3A3102	2nd revision	
19.	810-119C	RPBY 810-210C	Use up existing stock; revision 1	

# Hydraulic Cylinder (810-200C) Red Lion

Applies to AFM4014 and AFM40168



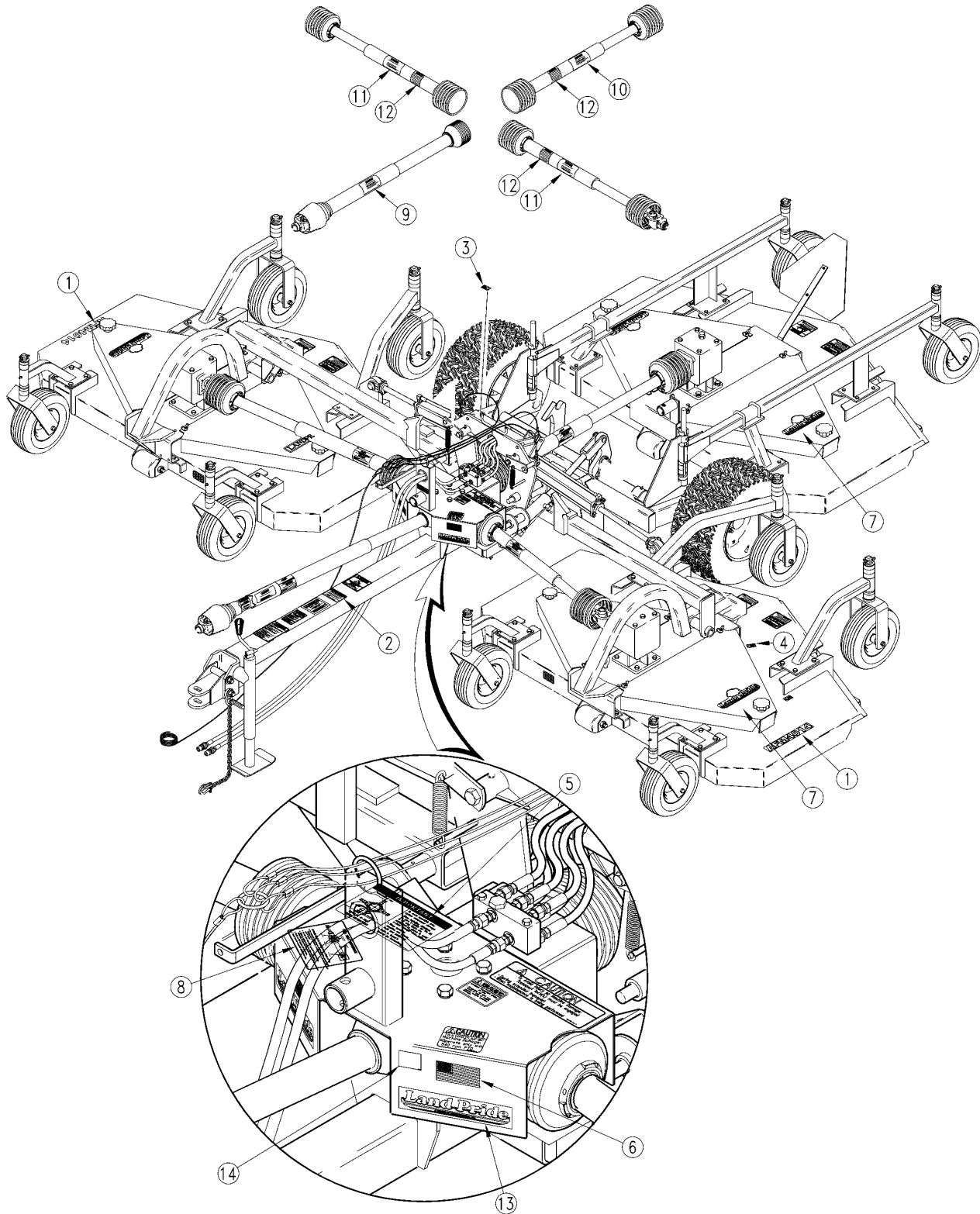
25901

***Hydraulic Cylinder (810-200C) Red Lion*****Applies to AFM4014 and AFM40168**

<b>Ref</b>	<b>Part No.</b>	<b>Part Description</b>	<b>Comments</b>	<b>Revision</b>
	dwg25901	Drawing Image Number		
	810-200C	CYL 2.5X8X1.12 ROD (TIE)1 PIN *		
1.	803-014C	NUT HEX 3/8-16 PLT		
2.	130556	MON PISTON NUT		
3.	134953	LION PIN		
4.	135995	MON CLEVIS PIN COTTER		
5.	801-023C	SCREW SET SH 3/8-16X3/8 TYPE C		
6.	186561	PLUG 9/16-18UNF MORB SOCKET HD		
7.	N/A	MON ROD SEAL	Only Found in Kit #20	
8.	N/A	MON PISTON SEAL	Only Found in Kit #20	
9.	N/A	MON END CAP BACKUP WASHERS	Only Found in Kit #20	
10.	N/A	MON END CAP O-RING	Only Found in Kit #20	
11.	N/A	LION WIPER SEAL	Only Found in Kit #20	
12.	N/A	MON PISTON WEAR RING	Only Found in Kit #20	
13.	491668	LION CYL. TUBE 2.5 X 8		
14.	492218	LION TIE ROD 3/8, 8 CYL		
15.	492650	LION ROD CLEVIS 1 1/8-12UNF		
16.	492688	LION CLEVIS CAP 2.5, 9/16 ORB		
17.	492699	LION ROD 1.125 ASAE 8		
18.	492711	LION ROD CAP 2.5X1.125-9/16ORB		
19.	494768	MON PISTON		
20.	645004	MON SEALS REPAIR KIT		

# Label Placement

Applies to AFM4014 and AFM40168



17591

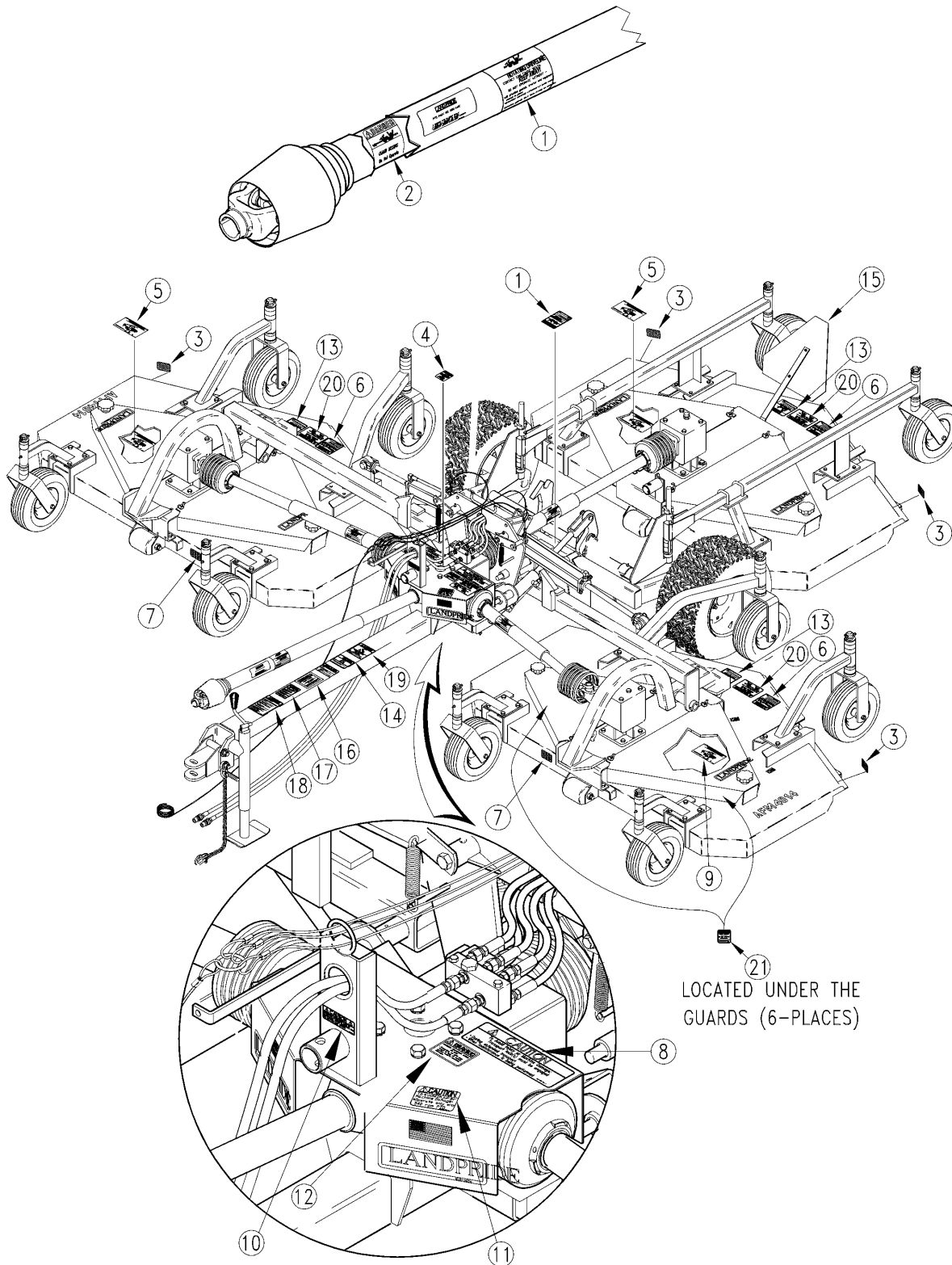


**Label Placement****Applies to AFM4014 and AFM40168**

<b>Ref</b>	<b>Part No.</b>	<b>Part Description</b>	<b>Comments</b>	<b>Revision</b>
	dwg17591	Drawing Image Number		
1.	818-920C	DECAL AFM4014-BROWN	(S/N 253841+) Beige Unit	Rev. 3 not compat. w/Rev. 2
1.	838-901C	DECAL AFM4014-GOLD	Green, Orange, Red & Blue Unit	
1.	818-712C	DECAL AFM4014 LP BLACK	(S/N 231068 <-> 253840)	Rev. 2 not compat. w/Rev. 1
1.	818-535C	DECAL AFM40168 LP- BLACK	(S/N 231067-)	
2.	818-560C	DECAL NOTICE TO OWNER-NO WARRA		Rev. 2 not compat. w/Rev. 1
2.	818-559C	DECAL NOTICE TO OWNER-WARRANTY		Rev. 1
3.	818-298C	DECAL GREASE 25HRS BLACK/WHITE		
4.	818-138C	DECAL GREASE EVERY 25 HOURS		
5.	818-565C	DECAL DRIVELINE TIMING N/CLTCH		
6.	818-190C	DECAL FLAG		
7.	818-892C	DECAL LP W/TREE 10" - 3 COLOR	(S/N 253841+) Beige Unit	Rev. 2 not compat. w/Rev. 1
7.	838-963C	DECAL LP 10" W/TREE BROWN/GOLD	Green, Orange, Red & Blue Unit	
7.	818-165C	LP LOGO SMALL BUCKSKIN	(S/N 253840-)	Rev. 1
8.	818-488C	DECAL PTO MAINTENANCE CV		
9.	818-515C	DECAL PTO 826-143C		
10.	818-249C	DECAL PTO 826-064C		
10.	818-405C	DECAL GREASE PTO 826-111C		
11.	818-520C	DECAL PTO 826-145C		
11.	818-519C	DECAL PTO 826-144C		
12.	818-560C	DECAL NOTICE TO OWNER-NO WARRA	(S/N 211783+)	
13.	838-036C	DECAL LANDPRIDE 6"- BEIGE	(S/N 253841+) Beige Unit	Rev. 2 not compat. w/Rev. 1
13.	838-967C	DECAL LANDPRIDE 6" BROWN/GOLD	Green, Orange, Red & Blue Unit	
13.	818-165C	LP LOGO SMALL BUCKSKIN	(S/N 253840-)	Rev. 1
14.	818-862C	DECAL 5 YEAR GEARBOX WARRANTY		

# Safety Label Placement

Applies to AFM4014 and AFM40168



11117

**Safety Label Placement****Applies to AFM4014 and AFM40168**

<b>Ref</b>	<b>Part No.</b>	<b>Part Description</b>	<b>Comments</b>	<b>Revision</b>
	dwg11117	Drawing Image Number		
1.	818-552C	DECAL DANGER PTO DRIVELINE		
2.	818-540C	DECAL DANGER GUARD MISS PTO		
3.	818-230C	DECAL RED REFLECTOR		
4.	818-187C	DECAL DANGER DRIVELINE SHIELD		
5.	818-513C	DECAL VB INST CCW C&RH 200/168		
6.	818-555C	DECAL DANGER ROTATE BLADE		
7.	818-229C	DECAL AMBER REFLECTOR		
8.	818-351C	DECAL CAUTION TRANSP LOCK ENGD		
9.	818-514C	DECAL VB INST CW FDR72/200/168		
10.	818-353C	DECAL CAUTION TRANSP LOCK DISE		
11.	818-130C	DECAL CAUTION 540 RPM		
12.	818-337C	DECAL WARNING 20 MPH TRANS SML		
13.	818-556C	DECAL DANGER THROWN OBJ CUTTER		
14.	818-557C	DECAL DANGER CANNOT READ ENG		
15.	818-055C	DECAL SLOW MOVING-GALV. BACKED		
16.	818-019C	DECAL WARNING NEG TONGUE WT		
17.	818-339C	DECAL WARNING HIGH PRESSUR SML		
18.	818-558C	DECAL WARNING GEN SAFE MOWER		
19.	818-561C	DECAL DANGER RAISED WING HAZAR		
20.	818-045C	DECAL WARNING PINCH PT/CRUSH		
21.	818-543C	DECAL DANGER PD GUARD MISS SML	Beneath all belt guards (S/N 253841+)	



# Part Number Index

The Part Number Index is a numeric index of all part numbers included in this manual. The index shows what page(s) the part is used on.

Part Number	Page	Part Number	Page	Part Number	Page	Part Number	Page
0.107.7100.01	77	05-002	75, 81, 93	1006830	29	1774335	19
0.140.1300.00	83, 91	05-005	81, 93	1006831	29	1783016	19, 31
0.151.0300.00	83, 91	05-015	75	1006865	29	1784210	19, 23, 31, 35
0.151.2000.00	83	050170	79, 85, 87, 95	1014010	19, 31	1784211	23, 35
0.151.2001.00	91	050172	79, 85, 87, 95	1014012	19, 31	1784212	23, 35
0.151.5201.00	83, 91	050195	85, 87, 95	1014113	23, 35	1786710	29
0.151.6208.00	83, 91	050197	85, 87, 95	11-007	55, 57, 59, 81, 93	1786711	29
0.195.0300.00	89, 97	0511421-710	15	11-021	75	1786801	29
0.195.1300.00	89, 97	051172600710	15	110009	85, 87, 95	18-033	75
0.195.2000.00	89, 97	051551	39	110192	85, 87, 95	18-035	81, 93
0.195.5000.00	89, 97	052511	37	1114010	19, 31	1806010	41, 43
0.195.6000.00	89, 97	053314	25, 37, 39	1134011	43	186561	107, 111
0.241.5001.00	77	053968	33	1134012	43	1872049	31
0.242.2101.00	77	06-012	75, 81, 93	1136006	41	1872064	19
0.242.7200.00	77	060127	85, 87, 95	1136007	41	1872901	23
0.256.1314.00	77	060128	85, 87, 95	1136008	41, 43	1872905	35
0.257.0505.00	77	060133	79	1136009	41	1873049	31
0.257.1742.00	77	060134	79	1136010	41, 43	1873064	19
0.257.1743.00	77	07-001	75, 81, 93	12-003	81, 93	1873901	23
0.259.7525.00	89, 97	07-007	81, 93	12-006	75	1873905	35
0.267.4212.00	77	070218	79	120050	85, 87, 95	1876902	29
0.278.7103.00	89, 97	070219	79	120126	79	1877902	29
0.286.7100.00	83, 91	070220	79	1213233	23, 35	1883013	19, 31
010175	85, 95	070246	85, 87, 95	1215733	29	1883014	31
010180	79	070247	85, 87, 95	1215735	29	1883230	19, 31
010252	87	070248	85, 87, 95	1216907	41, 43	1883231	19, 31
019519	27	070249	85, 87, 95	1216914	41	1884201	19, 23, 31, 35
02-034	81	070250	85, 87, 95	130006	85, 87, 95	1884202	19, 23, 31, 35
02-035	93	070251	85, 87, 95	130028	85, 87, 95	1884203	19, 23, 31, 35
02-061	75	070252	85, 87, 95	130146	79	1884205	19, 23, 31, 35
02-062	75	070253	85, 87, 95	130556	107, 111	1884346	31
020164	79	08-005A	81, 93	134953	107, 111	1884348	19
020166	79	08-005B	81, 93	135995	107, 111	1885702	29
020224	85, 87, 95	08-027	75	140000	85, 87, 95	1885709	29
020225	85, 87, 95	08-028	75	140004	79	1886802	29
020614	25, 37	08-029	75	140017	85, 87, 95	196837	25, 37
020616	21, 33	08-030	81, 93	140033	85, 95	196839	21, 33
020617	27	08-031	81, 93	140047	85, 87, 95	1D0005-1450	103
020672	27	0826-064C	19	140055	79	1D0206-1675	103
020692	39	086584	37	1466000	41	1D1003-5	103
03-067	75	087276	21, 27, 33	1466001	43	1D1155-17	103
03-074	81, 93	087279	25, 37	1466305	29, 41	1D1401-250	103
03-075	81, 93	09-009	81, 93	1466607	29, 43	1D1505-3	103
030456	85, 87, 95	09-011	75, 81, 93	1497	99	1D1551-16275	103
030457	85, 87, 95	09-012	81	1524057	31	1M6010	105, 109
030467	79	09-013	75	1524072	19	20-003	81, 93
030512	79	090099	79	1524902	23	20-028	75
04-003	81, 93	090179	85, 87, 95	1524905	35	20-029	75
04-004	81, 93	090180	85, 87, 95	1525057	31, 35	20-031	81, 93
04-018	75	090181	85, 87, 95	1534306	19, 23	200000	85, 87, 95
040335	85, 95	090182	85, 87, 95	1534308	19	200140	85, 87, 95
040343	79	090183	85, 87, 95	1534320	31	200141	79, 85, 87, 95
040345	79	090184	85, 87, 95	1534322	19	200142	79
040491	87	090185	85, 87, 95	1546096	29	21-012	81, 93
041065	25, 37	090186	85, 87, 95	1548900	29	240280	85, 87, 95
041068	37	090187	85, 87, 95	15500000037	73	2A0006	105, 109
041180	39	090188	85, 87, 95	1581036	29	2A0012	105, 109
041576	21, 33	090341	87	168556	39	2A0014	109
041577	33	1.195.7100.00	89, 97	1704027	19, 23, 31, 35	2A0022	105
043489	39	10-042	75, 81, 93	1704029	19, 23, 31, 35	2A0024	109
044321	19, 21, 23, 25, 27, 29, 31, 33, 35, 37	10-097	65, 70	1705009	41, 43	2A0079-616	103
044439	25, 37	100001	85, 87, 95	1706029	29	2A0132	105, 109
044444	21, 33	1004020	19, 23, 31, 35	1706029	29	2A0208	105, 109
045790	39	1004220	19, 31	1706065	41	2A0235-6	103
045793	39	1004224	19, 31	1706085	43	2A0246-12	103
047680	25	1004225	19, 29, 31, 43	172-242D	45, 47, 49, 51	2A0308-1	103
047825	39	1004229	23, 35	172758	27	2A0578-1675	103
048950	33	1006020	29	175-060D	7	2L363-17702-01	15
		1006803	29	175-061D	7	2M3418	105
		1006827	29	1774333	31	2M4422	109

## Table of Contents    Part Number Index



# Part Number Index (continued)

Part Number	Page	Part Number	Page	Part Number	Page	Part Number	Page
30-449S6B	15	315-249S	45, 47, 53	315-478D	55	492107	65, 70
304149	39	315-272H	67	315-484D	63, 65	492218	111
310-041D	55, 57, 59	315-273H	67	315-487D	7	492222	107
310-090H	63, 67	315-274H	9	315-488H	70	492647	107
310-094H	45, 47, 49, 51	315-279H	57, 59	315-489H	70	492650	107, 111
310-095H	45, 47, 49, 51	315-279H81	57, 59	315-490H	70	492688	107, 111
310-100S	63, 67	315-279H82	57, 59	315-492D	99	492699	111
310-132S	49	315-279H83	57, 59	315-493D	45, 47	492711	111
310-139S	49	315-279H84	57, 59	315-494D	45, 47	492724	107
310-176D	45, 49	315-280H	55	315-495A	70	494768	107, 111
310-224D	45, 47, 49, 51	315-280H81	55	315-562D	55, 57, 59	4M3102	105
310-249D	63, 67	315-280H82	55	315-563D	45, 47, 49, 51	4M4104	109
310-250D	63, 67	315-280H83	55	315-564D	13	50069S6LPY34RB	73
310-251D	63, 65, 67, 69	315-280H84	55	315-565D	13	506-4R-I	73
310-252D	63, 65, 67, 69	315-283H	61	315-566D	57, 59	5180211	73
310-280D	61	315-283H81	61	315-619D	61	518081	65, 70
310-300D	49, 51	315-283H82	61	315-733D	65	53-164	73
310-312D	45, 49	315-283H83	61	315-736D	17	53-180	73
310-319H	61	315-283H84	61	315-743D	99	53-189	73
310-331D	55, 57, 59	315-284H	61	315-753D	9	5M3120	105
310-348S	51	315-284H81	61	315-754D	9	5M4124	109
310-359D	63, 65, 67, 69	315-284H82	61	315-768D	65, 69	6040816	43
310-361D	49, 51	315-284H83	61	315-821D	9	6041016	41
310-533D	61	315-284H84	61	316201	27	6280313	29
310-636D	47	315-285H	9	338531	39	6330855	23, 35
312410	27	315-336H	17	341586	27	6330860	23, 35
315-037V	55	315-343S	65, 70	341953	39	6330865	19, 31
315-098H	67	315-344S	69	342221	27	6331070	29
315-103H	53	315-369H	9	355154	25, 37	6331080	29
315-133H	61	315-375S	51	355155	27	645004	107, 111
315-139H	9	315-377S	47	364859	21	6560006	23, 29, 35
315-169S	45	315-383H	69	365305	21, 25, 27, 33, 37	6821279	41
315-176S	45	315-384H	65, 69	365722	27	6M3118	105
315-179H	7	315-409D	61	377234	25, 37	6M4152	109
315-180H	9	315-413H	69	377240	25, 37	7M3320	105
315-182H	13	315-413H81	69	377335	21, 33	7M4324	109
315-183H	7	315-413H82	69	377336	27	8.0.1.00870	77, 83, 91
315-186H	7, 13	315-413H83	69	377340	21	8.0.9.00024	83, 91
315-187H	17	315-413H84	69	380371	25, 27, 37	8.0.9.00026	77, 83, 89, 91, 97
315-195H	67	315-414H	69	380882	27	8.0.9.00102	89, 97
315-196H	67	315-414H81	69	380905	25	8.1.1.00045	77
315-197H	9	315-414H82	69	380906	21	8.1.1.00073	77
315-198H	13	315-414H83	69	380907	27	8.1.1.00343	83, 91
315-199H	53	315-414H84	69	381178	21	8.1.1.00501	89, 97
315-218S	67	315-415H	69	381495	39	8.2.2.01144	55, 57, 59, 83, 89, 91, 97
315-219S	67	315-415H81	69	381908	21, 25, 27, 33	8.3.2.00409	83, 89, 91, 97
315-228H	61	315-415H82	69	381957	39	8.3.3.00384	77
315-229H	61	315-415H83	69	382694	33	8.3.6.00020	77
315-230H	13	315-415H84	69	382877	21	8.4.1.00021	77
315-231H	13	315-416H	65	382878	21	8.4.1.01141	83, 91
315-232H	63	315-417H	69	383231	27	8.4.7.00516	83, 89, 91, 97
315-233H	63	315-417H81	69	384954	37	8.5.1.00005	77
315-234H	57, 59	315-417H82	69	385954	27	8.5.1.00680	83, 89, 91, 97
315-234H81	57, 59	315-417H83	69	386083	27	8.5.2.00131	83, 89, 91, 97
315-234H82	57, 59	315-417H84	69	386488	37	8.5.3.00955	89, 97
315-234H83	57, 59	315-418S	65	387266	25	8.6.5.00006	77, 83, 89, 91, 97
315-234H84	57, 59	315-418S81	65	387332	25	8.6.7.00269	95
315-235H	13	315-418S82	65	390186	27	8.7.0.00744	83, 89, 91, 97
315-236H	67	315-418S83	65	390289	25	8.7.3.00027	83, 91
315-237D	65	315-418S84	65	390404	21, 25, 27, 33, 37	8.7.3.00055	77, 83, 89, 91, 97
315-237H	67	315-420H	7	390486	33	8.7.3.00071	77
315-238H	57, 59	315-422H	65	392042	37	8.7.3.00081	89, 97
315-239H	55	315-422H81	65	392043	37	800-001C	7, 63, 65, 67, 69
315-240H	63	315-422H82	65	392044	37	800-060C	99
315-241H	67	315-422H83	65	392050	25	800-075C	45, 49
315-245D	67, 69	315-422H84	65	392052	25	800-080C	7, 13, 57, 59
315-246D	67, 69	315-448H	17	3M3406	105	800-099C	45, 47, 49, 51
315-247D	67, 69	315-450H	9	3M4410	109	800-130C	47, 51
315-247S	11	315-454E	9	401-372D	9	800-136C	13
315-248D	67, 69	315-455E	9	491668	111	800-157C	47, 51
315-248S	49, 51, 53	315-460A	9	491672	107		



# Part Number Index (continued)

Part Number	Page	Part Number	Page	Part Number	Page	Part Number	Page
800-163C	61	803-228C	45, 47	814-070C	63, 67, 73	826-097C	17, 77
800-193C	47, 51	803-231C	61	814-100C	15	826-111C	17, 25
801-018C	55	803-293C	55	814-114C	67, 73	826-121C	57, 91, 93
801-023C	107, 111	804-006C	9, 55, 99	814-118C	65, 69	826-122C	55, 59, 81, 83
801-032C	47, 51	804-007C	9	814-193C	63, 67, 73	826-141C	17, 75
802-005C	55	804-009C	79	814-272C	67, 73	826-143C	17, 27
802-017C	61	804-012C	99	815-052C	15	826-144C	17, 37
802-034C	17	804-013C	61, 99	815-104C	65, 69	826-145C	17, 31, 33
802-038C	17	804-014C	45, 47, 49, 51	816-014C	15, 65, 69	826-205C	55, 59, 85
802-041C	61	804-015C	7, 13, 17, 55, 57, 59, 63, 65, 67, 69	816-063C	45, 47, 49, 51	826-206C	57, 95
802-058C	67	804-016C	7, 9, 17, 55, 57, 59, 63, 65	816-088C	15	826-274C	17, 79
802-060C	9	804-019C	9	816-504C	9	826-295C	55, 59, 87
802-079C	99	804-021C	55, 57, 59	817-028C	53	826-296C	57
802-091C	7, 13, 55, 57, 59, 63, 65, 67, 69	804-022C	45, 47, 49, 51, 53, 55, 57, 59, 67	817-050C	55, 57, 59	826-326C	57, 97
802-095C	9	804-023C	9	817-082C	61	826-326C81	57
802-097C	57, 59	804-024C	9	817-151C	63, 65, 67	826-326C82	57
802-099C	9, 70	804-025C	15, 45, 49, 65, 69	817-152C	63, 65, 67	826-326C83	57
802-100C	55, 57, 59	804-028C	7, 9, 13	817-192C	61	826-326C84	57
802-114C	65, 69	804-029C	7, 13, 55, 57, 59	817-195C	61	826-327C	55, 59, 89
802-115C	13	804-093C	45, 47, 49, 51	817-259C	61	826-327C81	55, 59
802-125C	65, 69	804-110C	45, 47, 49, 51	818-019C	115	826-327C82	55, 59
802-152C	7, 13, 57, 59	804-113C	17	818-045C	115	826-327C83	55, 59
802-159C	79	805-004C	7, 99, 101	818-055C	55, 115	826-327C84	55, 59
802-203C	55, 57, 59	805-015C	65, 69	818-130C	115	826-370C	17, 29
802-205C	9	805-017C	7, 13, 55, 57, 59	818-138C	113	826-371C	17, 23
802-226C	17	805-045C	7, 13, 15, 65, 69	818-165C	113	826-374C	17, 35
802-229C	45, 47, 49, 51	805-065C	65	818-187C	115	827-001C	63, 65, 67
802-233C	45, 49	805-081C	9	818-190C	113	83198	101
802-235C	9	805-088C	7, 99	818-229C	115	838-036C	113
802-239C	53	805-109C	9	818-230C	115	838-901C	113
802-246C	55, 57, 59	805-126C	63, 67	818-249C	113	838-963C	113
802-258C	17	805-131C	7, 13	818-298C	113	838-967C	113
802-280C	9	805-161C	63, 65	818-337C	115	890-005C	13
802-281C	45, 47, 49, 51	805-177C	67	818-339C	115	890-068C	15, 65, 69
802-283C	9	805-255C	65	818-351C	115	890-118C	9
802-305C	63, 67	806-023C	63	818-353C	115	890-122C	57, 59
802-308C	99	807-023C	99	818-405C	113	890-171C	49, 51
802-345C	57, 59	807-026C	7, 13	818-488C	113	890-182C	9
802-360C	9	807-068C	45, 47, 49, 51	818-513C	115	890-202C	63, 65, 67, 69
802-384C	49, 51	807-176C	55	818-514C	115	890-204C	49, 51
802-447C	45, 47	808-073C	45, 47, 49, 51, 53	818-515C	113	890-266C	47, 51
802-451C	99	808-074C	45, 47, 49, 51	818-519C	113	890-278C	13
802-567C	45, 47, 49, 51	808-075C	45, 47, 49, 51	818-520C	113	890-332C	11
802-689C	17	808-126C	55, 57, 59	818-535C	113	890-337C	11
802-695C	49, 51	808-335C	55, 57, 59	818-540C	19, 21, 23, 25, 27, 29, 31, 33, 35, 37, 115	890-375C	49, 51
802-696C	45, 47	810-005C	7, 99, 101	818-552C	19, 21, 23, 25, 27, 29, 31, 33, 35, 37, 115	890-377C	45, 47
8026	99	810-012C	101	818-555C	115	890-378C	45, 47
803-005C	55	810-119C	109	818-556C	115	890-379C	45, 47
803-006C	45, 49, 99	810-150C	13, 99, 103, 105, 107	818-557C	115	890-589C	11
803-007C	7, 13, 57, 59	810-177C	105	818-558C	115	890-614C	15
803-011C	13	810-178C	103	818-559C	113	890-702C	49, 51
803-013C	65, 69	810-200C	7, 99, 109, 111	818-560C	113	890-703C	45, 47
803-014C	45, 47, 49, 51, 61, 99, 107, 111	811-065C	99	818-561C	115	9190601	29
803-018C	63, 67	811-119C	99	818-565C	113	95316	73
803-019C	9, 61	811-170C	99	818-712C	113	95360NA	73
803-020C	13, 17, 55, 57, 59, 63, 65, 67, 69	811-332C	99	818-862C	113	990-109R	47, 51
803-021C	67	811-394C	99	818-892C	113	A-1845	101
803-022C	53, 55, 57, 59	811-441C	99	818-920C	113	A-1906	101
803-027C	9	811-442C	99	822-006C	45, 47, 49, 51	A-2526	101
803-037C	55, 57, 59	811-443C	99	822-030C	15, 65, 69	A.244.500	83, 91
803-038C	9, 57, 59	811-444C	99	822-080C	15, 65, 69	A.248.500	83, 89, 91, 97
803-053C	15, 65, 69	811-445C	99	822-161C	45, 47, 49, 51	A.259.500	77
803-114C	49, 51, 61	811-447C	99	822-166C	77, 81, 83, 89, 91, 93, 97	A244.501	89, 97
803-115C	45, 47, 49, 51	811-495C	99	82464	101	B-988	101
803-119C	45, 47, 49, 51	811-694C	99	826-064C	17, 21	BO-47	15, 65, 69
803-148C	9	814-052C	15			BF-1506	73
803-159C	15, 65, 70					dwg10219	109
803-169C	70					dwg10600	39
						dwg11117	115
						dwg11421	103, 105
						dwg11787	77



## Part Number Index (continued)

<u>Part Number</u>	<u>Page</u>
dwg12760 .....	91
dwg13449 .....	25
dwg13549 .....	9
dwg13550 .....	7
dwg13552 .....	11
dwg13562 .....	99
dwg13589 .....	15
dwg13630 .....	73
dwg13712 .....	75
dwg13714 .....	83
dwg13812 .....	27
dwg13813 .....	21
dwg13814 .....	81
dwg13815 .....	93
dwg13817 .....	13
dwg13818 .....	49
dwg13819 .....	45
dwg13822 .....	61
dwg13824 .....	63
dwg13825 .....	67
dwg14023 .....	53
dwg14025 .....	33
dwg14028 .....	37
dwg14057 .....	19
dwg14078 .....	101
dwg15934 .....	95
dwg16506 .....	85
dwg16534 .....	55
dwg16535 .....	57
dwg16536 .....	59
dwg16903 .....	65
dwg16904 .....	69
dwg17591 .....	113
dwg18084 .....	51
dwg18085 .....	47
dwg18259 .....	79
dwg18641 .....	87
dwg19549 .....	97
dwg19550 .....	89
dwg22021 .....	17
dwg22022 .....	23
dwg22023 .....	29
dwg22024 .....	35
dwg23887 .....	41
dwg23890 .....	43
dwg25899 .....	107
dwg25901 .....	111
dwg26855 .....	31
N/A .....	15, 107, 111
TR-412 .....	65, 70
U0.195.7101.00 .....	89, 97



Great Plains Manufacturing, Inc.

Corporate Office: P.O. Box 5060  
Salina, Kansas 67402-5060 USA

[www.landpride.com](http://www.landpride.com)



## Free Manuals Download Website

<http://myh66.com>

<http://usermanuals.us>

<http://www.somanuals.com>

<http://www.4manuals.cc>

<http://www.manual-lib.com>

<http://www.404manual.com>

<http://www.luxmanual.com>

<http://aubethermostatmanual.com>

Golf course search by state

<http://golfingnear.com>

Email search by domain

<http://emailbydomain.com>

Auto manuals search

<http://auto.somanuals.com>

TV manuals search

<http://tv.somanuals.com>