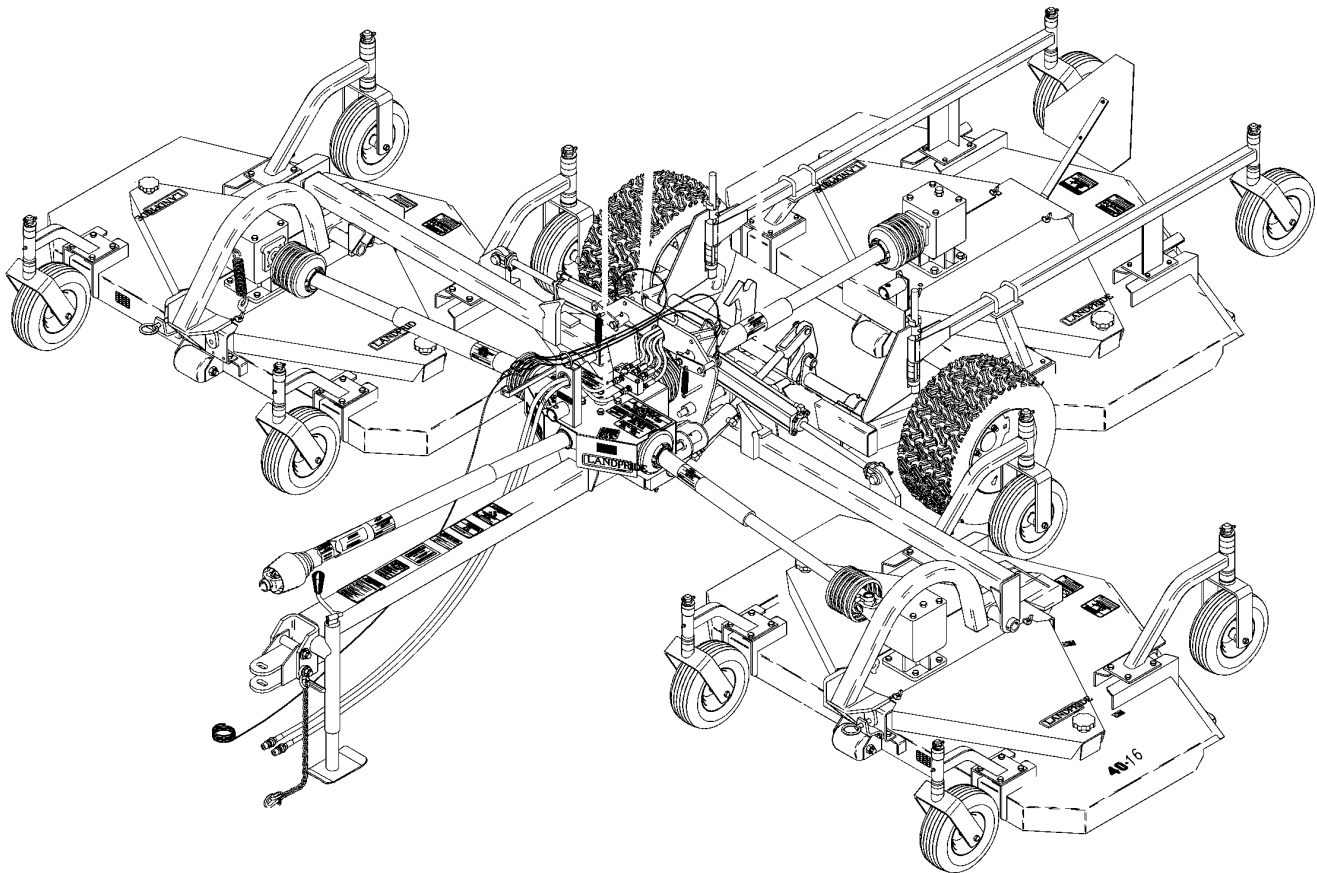


All-Flex Mower

AFM4016 & AFM40200 (S/N 147000+)



13656

315-485P **Parts Manual**



Read the Operator's manual entirely. When you see this symbol, the subsequent instructions and warnings are serious - follow without exception. Your life and the lives of others depend on it!

© Copyright 2008 Printed 04/02/08

Cover photo may show optional equipment not supplied with standard unit.





Table of Contents

Section 1: Introduction.....4
 Using This Manual.....4
 Manual Replacement Information.....4
 Manual Revisions.....4
 Touch-up Paint.....4
 Hardware Legend.....5
 Replacement Hardware.....5
 Serial Numbers.....5
 Part Number Service Coding.....5

Section 2: Frame.....6
 Center Deck Pivot.....6
 Pull Latch Cord Lock-Up.....8
 Right Hand and Left Hand Deck Pivot.....10
 Transport Frame.....12
 Transport Frame Tire and Hub.....14

Section 3: Drivelines.....16
 Driveline Arrangement.....16
 Driveline All Decks (826-064C) Eurocardan.....18
 Driveline All Decks (826-064C) Walterscheid.....20
 Driveline All Decks (826-371C) Eurocardan.....22
 Driveline CV (826-143C) Walterscheid.....24
 Driveline CV W/ Clutch (826-370C) Eurocardan.....26
 Driveline Slip Clutch (053314).....28
 Driveline Slip Clutch (1466305) Eurocardan.....30
 Driveline Slip Clutch (1466607) Eurocardan.....32
 Driveline W/Clutch All Decks (826-111C) Walterscheid.....34

Section 4: Decks.....36
 Belt Drive Center and Right Hand Deck (S/N 212180-).....36
 Belt Drive Center and Right Hand Deck (S/N 212181+).....38
 Belt Drive Left Hand Deck (212181+).....40
 Belt Drive Left Hand Deck (S/N 212180-).....42
 Belt Take-Up Handle.....44
 Channel Center Deck.....46
 Channel Left Deck.....48
 Channel Right Hand Deck.....50
 Deck and Roller.....54

Section 5: Gauge Wheels.....56
 Gauge Wheel Center Deck (S/N 231294-).....56
 Gauge Wheel Left & Right Hand Deck (S/N 231294-).....58
 Gauge Wheel Left & Right Hand Deck (S/N 231295+).....60
 Gauge Wheels 814-070C and 814-114C (S/N 231294-).....64
 Gauge Wheels Center Deck (S/N 231295+).....66

Section 6: Gearboxes.....68
 Gearbox 4-Way Splitter (826-141C) ITG (S/N 242926-).....68
 Gearbox 4-Way Splitter (826-097C) Comer S/N 242927 to 272759).....70
 Gearbox 4-Way Splitter (826-274C) OMNI (S/N 272760+).....72

Gearbox Center & Right Deck (826-205C) OMNI (S/N 211887 to 368117).....74
 Gearbox Center & Right Deck (826-295C) OMNI S/N (211887 to 368117).....76
 Gearbox Center & Right Deck (826-327C) Comer (S/N 368118+).....78
 Gearbox Left Deck (826-121C) Comer (S/N 211886-).....80
 Gearbox Left Deck (826-121C) ITG (S/N 211886-).....82
 Gearbox Left Deck (826-206C) OMNI (S/N 211887 to 368117).....84
 Gearbox Left Deck (826-326C) Comer (S/N 368118+).....86
 Gearbox Right Deck (826-122C) Comer (S/N 211886-).....88
 Gearbox Right Deck (826-122C) ITG (S/N 211886-).....90

Section 7: Hydraulics.....92
 Hydraulic Arrangement.....92
 Hydraulic Cylinder (810-005C).....94
 Hydraulic Cylinder (810-150C) Cross.....96
 Hydraulic Cylinder (810-150C) Midway.....98
 Hydraulic Cylinder (810-150C) Red Lion.....100
 Hydraulic Cylinder (810-200C) Midway.....102
 Hydraulic Cylinder (810-200C) Red Lion.....104

Section 8: Labels.....106
 Label Placement.....106
 Safety Label Placement.....108

Part Number Index.....110

© Copyright 2008. All rights reserved.

Land Pride provides this publication "as is" without warranty of any kind, either expressed or implied. While every precaution has been taken in the preparation of this manual, Land Pride assumes no responsibility for errors or omissions. Neither is any liability assumed for damages resulting from the use of the information contained herein. Land Pride reserves the right to revise and improve its products as it sees fit. This publication describes the state of this product at the time of its publication, and may not reflect the product in the future. The illustrations in this manual are not intended for safe and proper assembly or disassembly of equipment. The illustrations are intended for ordering parts only.

Land Pride is registered trademark.

All other brands and product names are trademarks or registered trademarks of their respective holders.

Printed in the United States of America.



Alphabetized Table of Contents

| | | | |
|----------|---|--|---|
| B | Belt Drive Center and Right Hand Deck (S/N 212180-).....36 | | |
| | Belt Drive Center and Right Hand Deck (S/N 212181+).....38 | | |
| | Belt Drive Left Hand Deck (212181+).....40 | | |
| | Belt Drive Left Hand Deck (S/N 212180-).....42 | | |
| | Belt Take-Up Handle.....44 | | |
| C | Center Deck Pivot.....6 | | |
| | Channel Center Deck.....46 | | |
| | Channel Left Deck.....48 | | |
| | Channel Right Hand Deck.....50 | | |
| D | Deck and Roller.....54 | | |
| | Driveline Arrangement.....16 | | |
| | Driveline All Decks (826-064C) Eurocardan.....18 | | |
| | Driveline All Decks (826-064C) Walterscheid.....20 | | |
| | Driveline All Decks (826-371C) Eurocardan.....22 | | |
| | Driveline CV (826-143C) Walterscheid.....24 | | |
| | Driveline CV W/ Clutch (826-370C) Eurocardan.....26 | | |
| | Driveline Slip Clutch (053314).....28 | | |
| | Driveline Slip Clutch (1466305) Eurocardan.....30 | | |
| | Driveline Slip Clutch (1466607) Eurocardan.....32 | | |
| | Driveline W/Clutch All Decks (826-111C) Walterscheid.....34 | | |
| G | Gauge Wheel Center Deck (S/N 231294-).....56 | | |
| | Gauge Wheel Left & Right Hand Deck (S/N 231294-)..58 | | |
| | Gauge Wheel Left & Right Hand Deck (S/N 231295+).....60 | | |
| | Gauge Wheels 814-070C and 814-114C) (S/N 231294-).....64 | | |
| | Gauge Wheels Center Deck (S/N 231295+).....66 | | |
| | Gearbox 4-Way Splitter (826-141C) ITG (S/N 242926-).....68 | | |
| | Gearbox 4-Way Splitter (826-097C) Comer S/N 242927 to 272759).....70 | | |
| | Gearbox 4-Way Splitter (826-274C) OMNI (S/N 272760+).....72 | | |
| | Gearbox Center & Right Deck (826-205C) OMNI (S/N 211887 to 368117).....74 | | |
| | Gearbox Center & Right Deck (826-295C) OMNI S/N (211887 to 368117).....76 | | |
| | Gearbox Center & Right Deck (826-327C) Comer (S/N 368118+).....78 | | |
| | Gearbox Left Deck (826-121C) Comer (S/N 211886-)..80 | | |
| | Gearbox Left Deck (826-121C) ITG (S/N 211886-).....82 | | |
| | Gearbox Left Deck (826-206C) OMNI (S/N 211887 to 368117).....84 | | |
| | Gearbox Left Deck (826-326C) Comer (S/N 368118+).....86 | | |
| | Gearbox Right Deck (826-122C) Comer (S/N 211886-).....88 | | |
| | | | Gearbox Right Deck (826-122C) ITG (S/N 211886-)....90 |
| H | | | Hydraulic Arrangement.....92 |
| | | | Hydraulic Cylinder (810-005C).....94 |
| | | | Hydraulic Cylinder (810-150C) Cross.....96 |
| | | | Hydraulic Cylinder (810-150C) Midway.....98 |
| | | | Hydraulic Cylinder (810-150C) Red Lion.....100 |
| | | | Hydraulic Cylinder (810-200C) Midway.....102 |
| | | | Hydraulic Cylinder (810-200C) Red Lion.....104 |
| L | | | Label Placement.....106 |
| P | | | Pull Latch Cord Lock-Up.....8 |
| R | | | Right Hand and Left Hand Deck Pivot.....10 |
| S | | | Safety Label Placement.....108 |
| T | | | Transport Frame.....12 |
| | | | Transport Frame Tire and Hub.....14 |

General Information

Using This Manual

This manual is divided into sections. The first section contains General Information. The remaining sections divide the machine into segments (i.e. Frames, Drives, Hydraulics, etc.) which illustrate and list all parts. A Parts Number Index is located at the back of the book.

The Land Pride parts in this manual are specially designed for this machine and should be replaced with Land Pride parts only.

The information in this manual is current at time of printing. Some parts may change to assure top performance.

Right-hand and left-hand as used in this manual are determined by facing the direction the machine will travel while in use.

Below is an example of two facing pages from a parts manual. Familiarize yourself with the type of information contained on these pages.

Manual Replacement Information

Replacement manuals are available. Refer to our website at www.landpride.com, the Land Pride Support Center CD or e-mail us at lit@landpride.com for additional information. Our website continues to provide the most up-to-date manuals available.

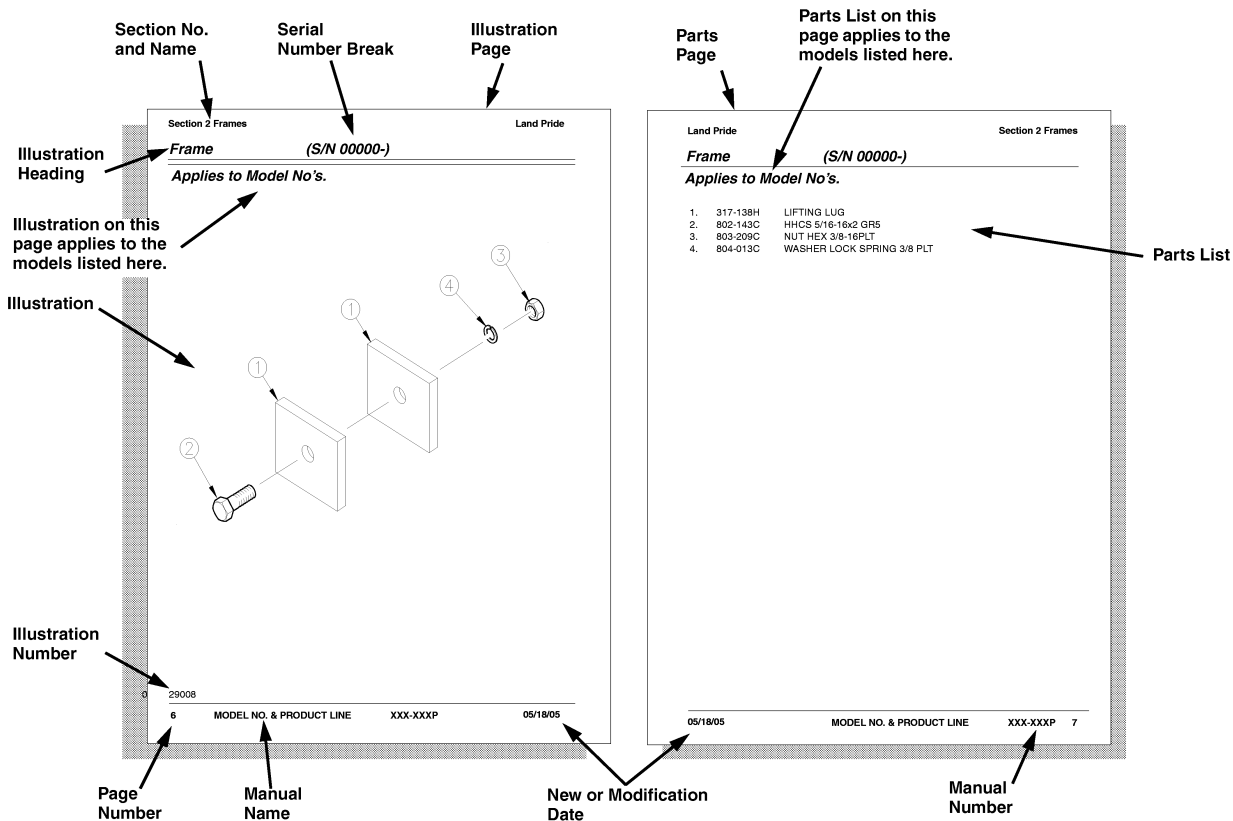
Touch-up Paint

Repaint parts where paint is worn or scratched to prevent rust. Aerosol cans and touch-up bottles with brush applicator are available through your local dealer. Land Pride color descriptions and part numbers are listed below. Also available are quart and gallon size paints. Add QT or GL to end of the Aerosol P/N.

| Color | Product ¹ | Aerosol | Touch-Up |
|---------------------------|----------------------|----------|------------|
| Gloss Black | LP | 821-032C | 821-032CTU |
| Medium Gloss Black | UV | 821-053C | 821-053CTU |
| Beige | LP | 821-011C | 821-011CTU |
| Green | SLP | 821-058C | 821-058CTU |
| Orange | SLP | 821-066C | 821-066CTU |
| Red | SLP/UV | 821-054C | 821-054CTU |
| Blue | SLP/UV | 821-067C | 821-067CTU |
| Dark Green Sparkle | UV | 821-055C | 821-055CTU |
| Gondo Forest Green | UV | 821-057C | 821-057CTU |
| Brite Yellow ² | UV | 821-056C | 821-056CTU |
| Gondo Yellow ³ | UV | 821-059C | 821-059CTU |

Notes:

- 1 LP = All Land Pride Products except Utility Vehicles
SLP = Select Land Pride Products that are available in optional Green, Orange, Red, & Blue colors.
UV = Utility Vehicles
- 2 Used on Trekers and (Runabouts with S/N 407628-)
- 3 Used on Gondos and (Runabouts with S/N 407629+)



General Information

Hardware Legend

| | |
|-----------------|--|
| AR | As Required |
| BLADE | Blade Bolt |
| C | Cap Screw |
| CP | Cotter Pin |
| CPHSSS | Cup Point Hex Socket Set Screw |
| CPSHSS | Cup Point Square Head Set Screw |
| CPSQHSS | Cup Point Square Head Set Screw |
| CRFCHMS3 | Cross Recess Flat Countersunk Head Machine Screw |
| CRPHMS | Cross Recess Pan Head Machine Screw |
| CRPHTF | Cross Recess Pan Head Thread Forming |
| CRRHMS | Cross Recess Round Head Machine Screw |
| CRTHMS | Cross Recess Truss Head Machine Screw |
| CSNB | Countersunk Square Neck Bolt |
| FHMS | Flat Head Machine Screw |
| FTC | Full Thread Cap Screw |
| H | Hex Nut |
| HCLN | Hex Center Lock Nut |
| HFLCS | Hex Flange Lock Cap Screw |
| HFS | Hex Flange Screw |
| HFSLN | Hex Flange Serrated Lock Nut |
| HFSS | Hex Flange Serrated Screw |
| HHCS | Hex Head Cap Screw or Metric Bolt |
| HSBHCS | Hex Socket Button Head Cap Screw |
| HSFCHCS | Hex Socket Flat Countersunk Head Cap Screw |
| HSHCS | Hex Socket Head Cap Screw |
| HSSS | Hex Socket Head Screw |
| HTLN | Hex Top Lock Nut |
| HWHCS | Hex Washer Head Cap Screw |

| | |
|-----------------------|---|
| HWHMS | Hex Washer Head Machine Screw |
| HXBHCS | Hex Socket Button Head Cap Screw |
| J | Hex Jam Nut |
| JIC | 37 Degree Tapered Thread |
| L | Helical Spring Lock Washer |
| LUG | Lug Bolt |
| NFC | National Fine Cap Screw |
| NPSM | National Pipe Straight Mechanical |
| NPTF | National Pipe Taper Fuel |
| P | Wide Plain Washer |
| PHMS | Pan Head Machine Screw |
| PLOW | Plow Bolt |
| RHMS | Round Head Machine Screw |
| RHSNB | Round Head Square Neck Bolt |
| SCREW LEVELING | Leveling Screw |
| SCREW THUMB | Thumb Screw |
| SCREW WELD | Weld Screw |
| SFCHMS | Slotted Flat Countersunk Head Machine Screw |
| SFHMS | Slotted Fillister Head Machine Screw |
| SP | Special |
| SP SCREW | Special Screw |
| SQHSS | Square Head Set Screw |
| SRHMS | Slotted Round Head Machine Screw |
| SSS | Socket Set Screw |
| STCS | Self Tapping Cap Screw |
| STHMS | Slotted Truss Head Machine Screw |
| WHEEL | Wheel Studs and Hub Long Bolts |
| WING | Wing Bolt |

Replacement Hardware

The **Hardware Legend** above lists hardware abbreviations used in the parts list. All bolts and nuts are Grade 5 unless otherwise noted. The use of improper grades of hardware can result in personal injury, damage to equipment, or loss of property.

Colored Replacement Parts

Land Pride offers replacement parts in factory standard colors and also on select models in Green, Orange, Red and Blue. Because of the variety of colors available, special attention must be given to the part number to prevent ordering the wrong replacement part.

A suffix number corresponding to one of the colors below must be added at the end of Land Pride's part number when ordering a replacement part with that color.

- | | |
|-----------------------------------|---------------------------------|
| 81 Green | 83 Red |
| 82 Orange | 84 Blue |

For example, if you are ordering a replacement part with part number 555-555C and the part you need is red, then add the suffix 83 to the end of the number to make the part number read 555-555C83. Parts ordered without a suffix number will be supplied in factory standard colors.

Black Replacement Parts

Some parts are factory standard black and some must be special ordered black. If your part is special ordered black, a second part number with the additional suffix number 85 on the end will be available. In this situation you must order that part with the suffix number for it to be black. Parts that are factory standard black will not have the suffix number.

Part Number Service Coding

Within the parts list some part numbers are coded for revisions and interchangeability. See notations in revision column.

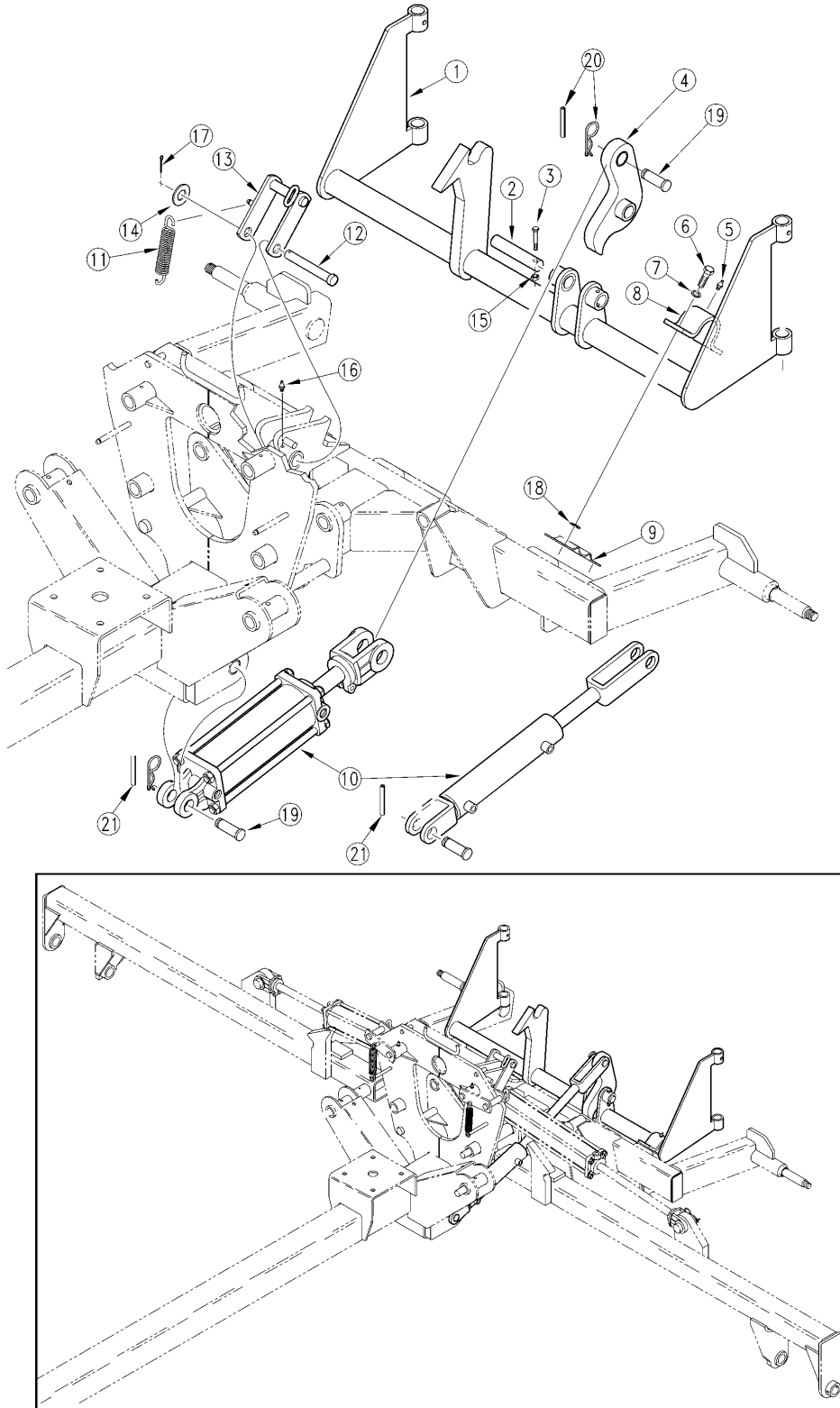
Serial Numbers

Always use the serial and model number when ordering parts. Refer to the Operator's Manual for serial number plate location.

- | | |
|----------------------|--|
| (S/N 20001+) | Includes serial numbers 20001 and above (to the latest number) |
| (S/N 10001 to 20000) | Includes serial numbers between and including 10001 and 20000 |
| (S/N 10000-) | Includes serial numbers 10000 and below (to the earliest number) |

Center Deck Pivot

Applies to AFM4016 and AFM40200 (S/N 147000+)



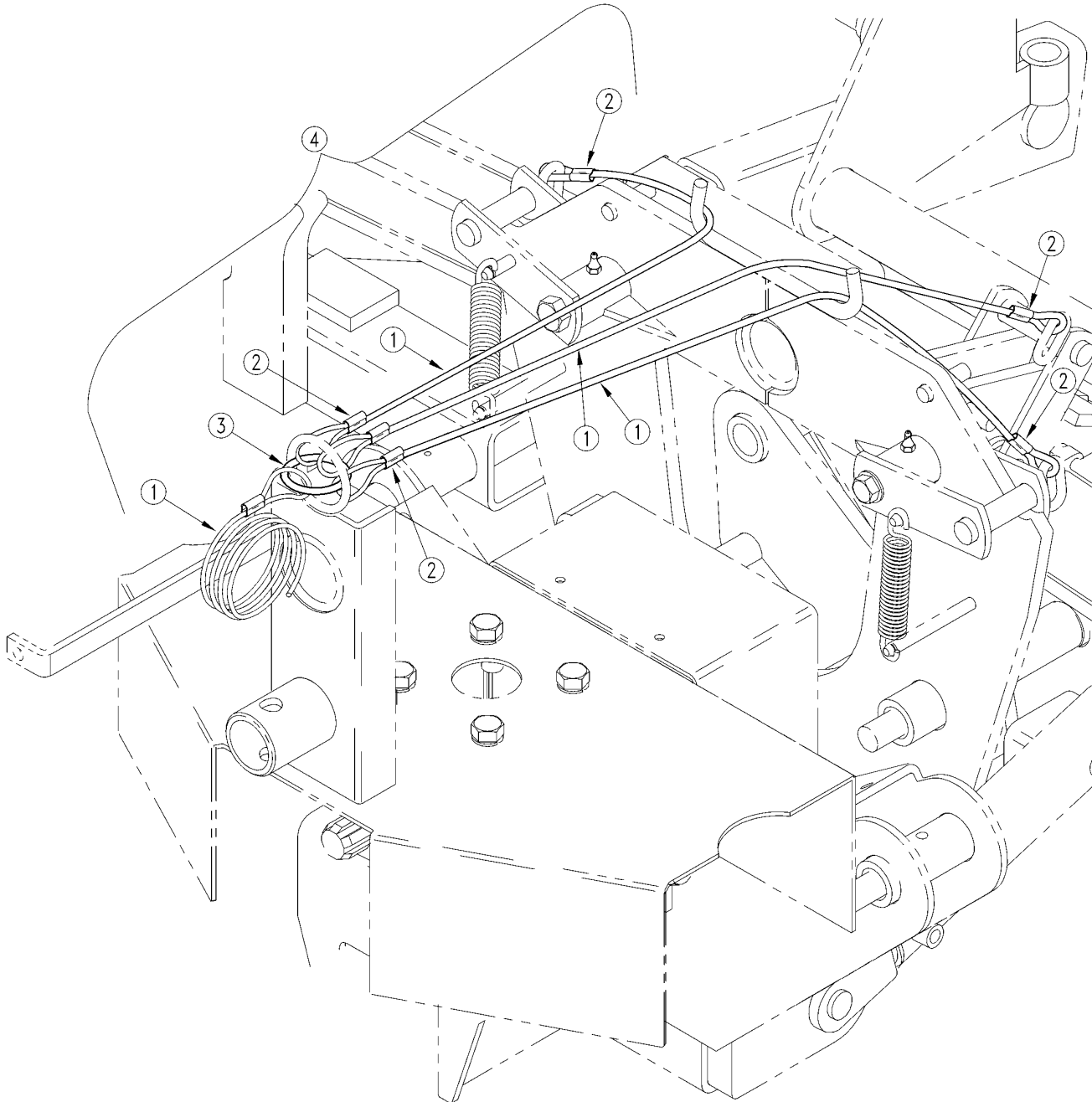
13550

Center Deck Pivot**Applies to AFM4016 and AFM40200 (S/N 147000+)**

| Ref | Part No. | Part Description | Comments | Revision |
|-----|----------|--------------------------------|---------------|------------------------------|
| | dwg13550 | Drawing Image Number | | |
| 1. | 315-420H | AFM4014 & 16 REAR DECK PIVOT | (S/N 242927+) | Rev. 2 not compat. w/Rev. 1. |
| 1. | 315-179H | REAR DECK PIVOT TUBE 168/200 | (S/N 242926-) | Rev. 1 |
| 2. | 315-487D | REAR DECK CYL LUG PIN | | |
| 3. | 802-152C | HHCS 1/4-20X2 GR5 | | |
| 4. | 315-183H | REAR DECK CYL LUG WELD | | |
| 5. | 800-001C | GREASE ZERK STRAIGHT 1/4-28 | | |
| 6. | 802-091C | HHCS 1/2-13X1 1/2 GR5 | | |
| 7. | 804-015C | WASHER LOCK SPRING 1/2 PLT | | |
| 8. | 175-061D | PUSH, PIVOT TUBE HALF CLAMP | | |
| 9. | 175-060D | PIVOT TUBE WEAR PAD | | |
| 10. | 810-200C | CYL 2.5X8X1.12 ROD (TIE)1 PIN | (S/N 198510+) | Rev. 2 |
| 10. | 810-005C | CYL 2X8X1.12 ROD SINGLE ACTING | (S/N 198509-) | Rev 1; Use up stock |
| 11. | 807-026C | PIVOT STOP SPRING | | |
| 12. | 805-131C | PIN CLEVIS 1 X 4 3/4 USABLE | | |
| 13. | 315-186H | FLIP LATCH WLDMNT RH | | |
| 14. | 804-028C | WASHER FLAT 1 USS PLT | | |
| 15. | 803-007C | NUT LOCK 1/4-20 PLT | | |
| 16. | 800-080C | ZERK GREASE 1/4-28 THD FORMING | | |
| 17. | 805-017C | PIN COTTER 3/16 X 1 3/4 PLT | | |
| 18. | 804-016C | WASHER FLAT 1/2 SAE PLT | | |
| 19. | 805-004C | PIN CLEVIS 1 X 2 3/4 USABLE LG | | |
| 20. | 805-023C | PIN ROLL 3/16X1 1/4 PLT | S/N _____ + | |
| 20. | 805-088C | PIN, HAIR COTTER 3/16 WIRE DIA | S/N _____ - | |

Pull Latch Cord Lock-Up

Applies to AFM4016 and AFM40200 (S/N 147000+)



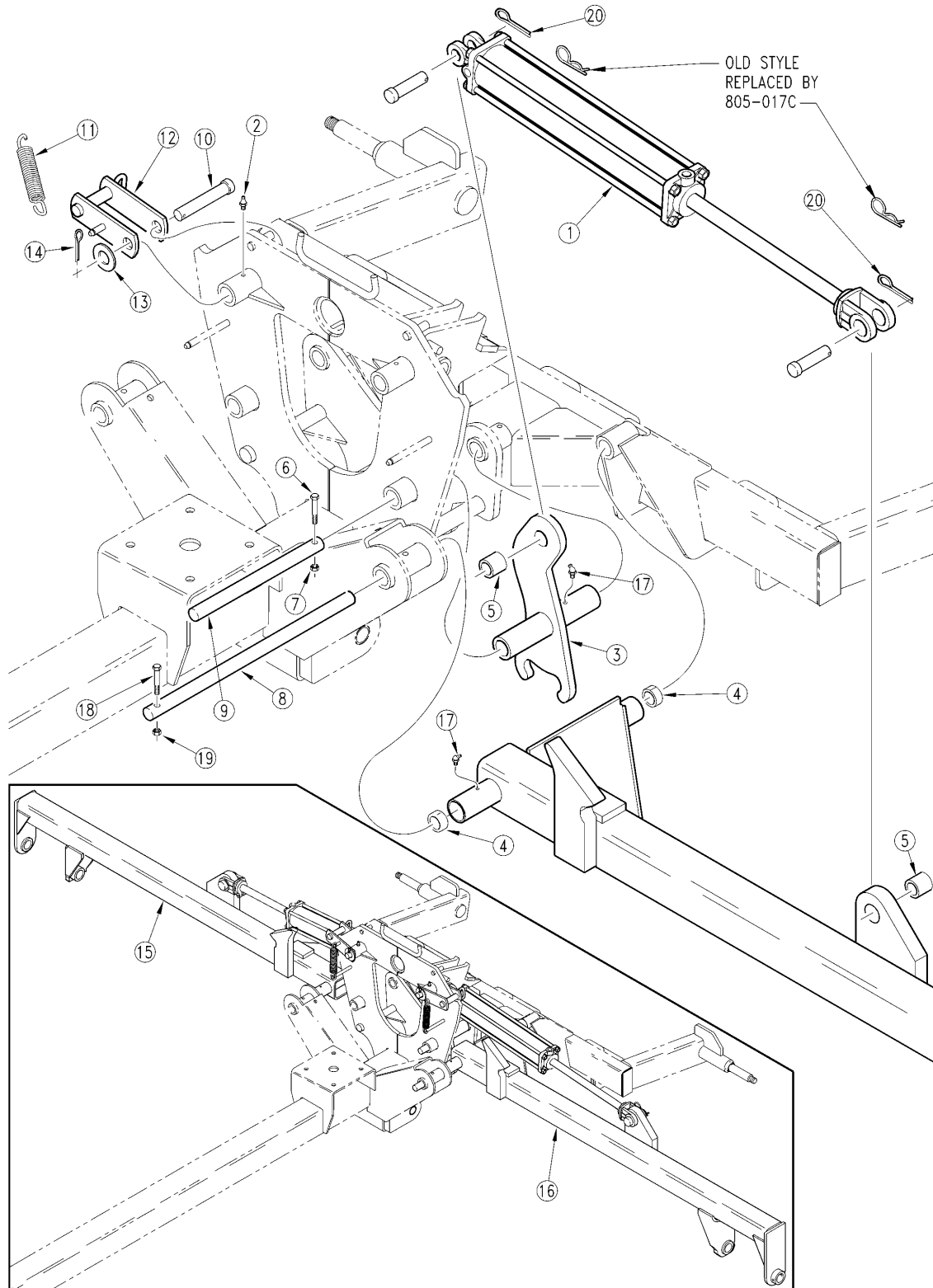
13552

Pull Latch Cord Lock-Up**Applies to AFM4016 and AFM40200 (S/N 147000+)**

| Ref | Part No. | Part Description | Comments | Revision |
|------------|-----------------|---|--|-----------------|
| | dwg13552 | Drawing Image Number | | |
| 1. | 890-337C | CORD-PARACHUTE 3/16 | Right & Left Hand Deck 34" Long and Center 44" Long. Frame to Tractor 156" Long. Total Length 23 Ft. Sold only in 12" increments | |
| 2. | 890-589C | 5/32 I.D. OVAL SLEEVE | | |
| 3. | 890-332C | WELDED RING 1/4 X 2 | | |
| 4. | 315-247S | 40168/200 DECK PULL ROPE | | |
| | | NOTES: | | |
| | | When Installing Cord to Deck Latches Be Sure to Apply Tension to Cord For Proper Operation. | | |

Right Hand and Left Hand Deck Pivot

Applies to AFM4016 and AFM40200 (S/N 147000+)



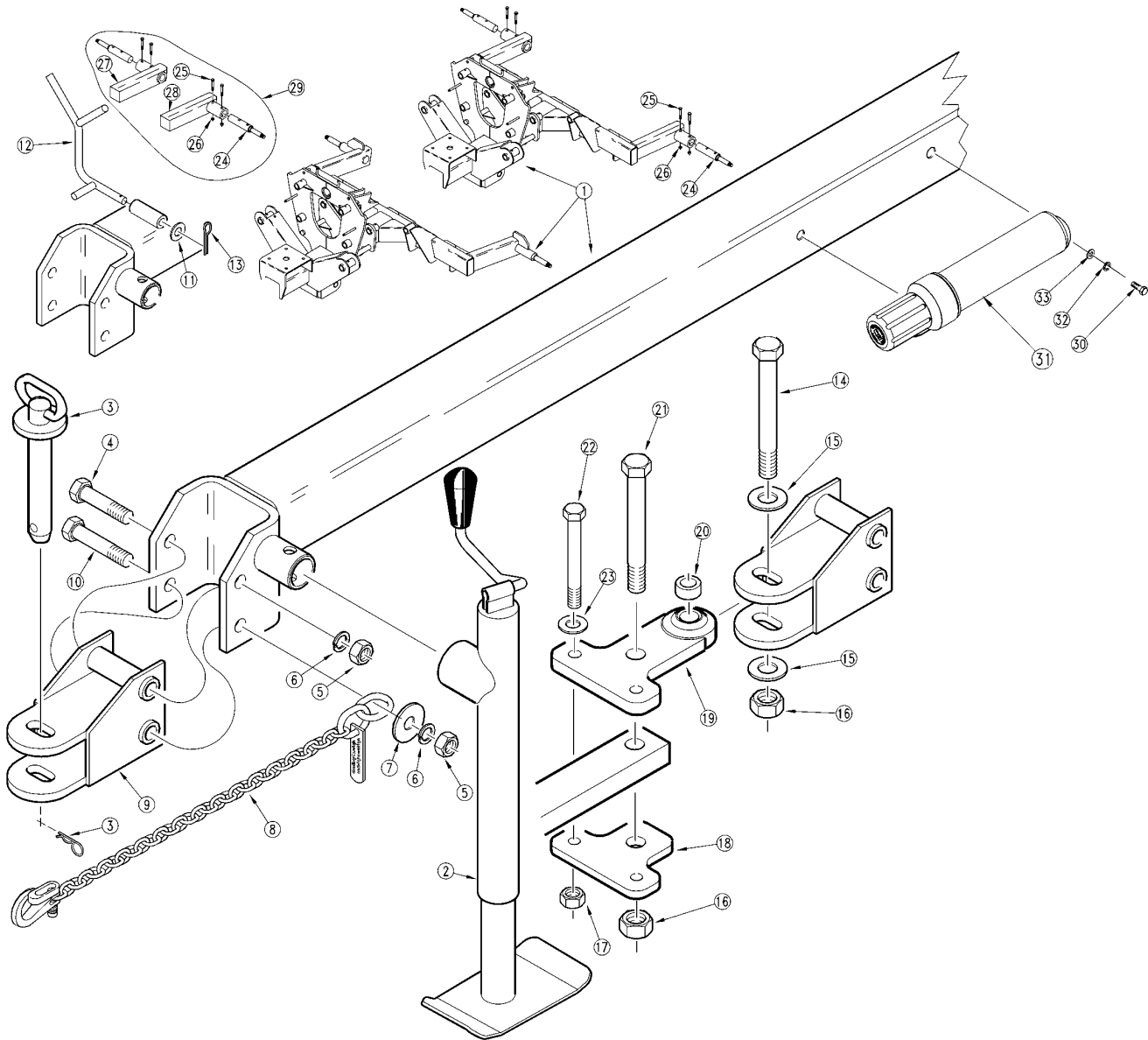
13551

Right Hand and Left Hand Deck Pivot**Applies to AFM4016 and AFM40200 (S/N 147000+)**

| Ref | Part No. | Part Description | Comments | Revision |
|-----|----------|--------------------------------|----------|------------------------------|
| | dwg13551 | Drawing Image Number | | |
| 1. | 810-150C | CYL 2.5X12X1.25 ROD (TIE ROD) | | |
| 2. | 800-080C | ZERK GREASE 1/4-28 THD FORMING | | |
| 3. | 315-182H | WING FLEX LUG AFM40168/200 | | |
| 4. | 890-278C | BUSHING CYL 1 1/4 X 1 X 1 3/8 | | |
| 5. | 890-005C | BUSHING CYL 1 1/4 X 1 X 1 | | |
| 6. | 802-115C | HHCS 5/16-18X2 GR5 | | Rev. 2 not compat. w/Rev. 1. |
| 6. | 802-152C | HHCS 1/4-20X2 GR5 | | Rev. 1 |
| 7. | 803-011C | NUT LOCK 5/16-18 PLT | | Rev. 2 not compat. w/Rev. 1. |
| 7. | 803-007C | NUT LOCK 1/4-20 PLT | | Rev. 1 |
| 8. | 315-565D | 40200 TOOLBAR PIVOT PIN | | |
| 9. | 315-564D | DECK FLEX PIVOT PIN | | |
| 10. | 805-131C | PIN CLEVIS 1 X 4 3/4 USABLE | | |
| 11. | 807-026C | PIVOT STOP SPRING | | |
| 12. | 315-186H | FLIP LATCH WLDMNT RH | | |
| 12. | 315-198H | FLIP LATCH WELDMENT LH | | |
| 13. | 804-029C | WASHER FLAT 1 SAE | | Rev. 2 |
| 13. | 804-028C | WASHER FLAT 1 USS PLT | | Rev 1; Use up stock |
| 14. | 805-017C | PIN COTTER 3/16 X 1 3/4 PLT | | |
| 15. | 315-178H | RH WING TOOL BAR AFM40200 | | |
| 16. | 315-177H | LH WING TOOL BAR AFM40200 | | |
| 17. | 800-136C | ZERK 1/4-28 X 45 DEG SELF-TAP | | |
| 18. | 802-115C | HHCS 5/16-18X2 GR5 | | |
| 19. | 803-011C | NUT LOCK 5/16-18 PLT | | |

Transport Frame

Applies to AFM4016 and AFM40200 (S/N 147000+)



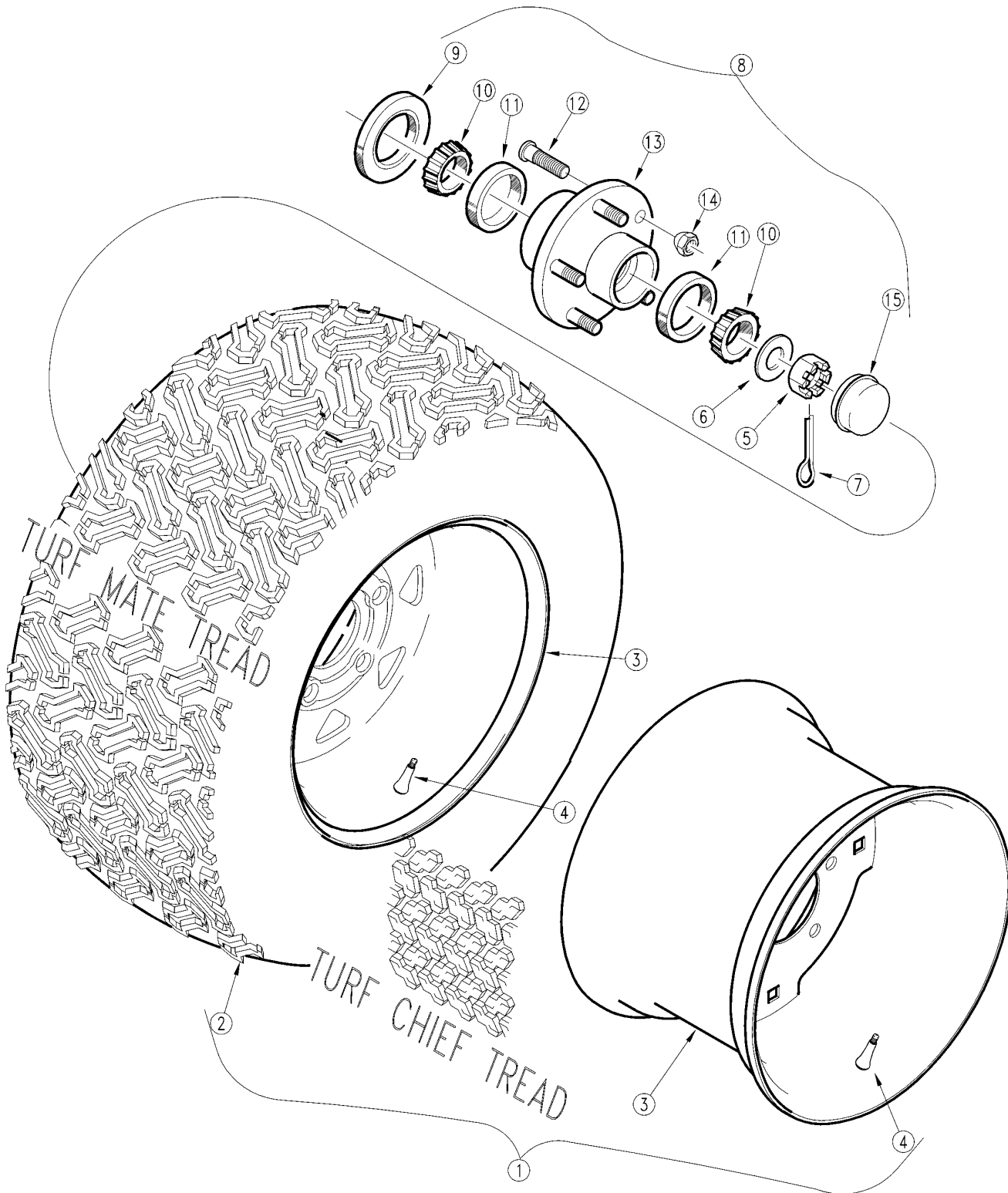
13549

Transport Frame**Applies to AFM4016 and AFM40200 (S/N 147000+)**

| Ref | Part No. | Part Description | Comments | Revision |
|-----|----------|--------------------------------|--|------------------------------|
| | dwg13549 | Drawing Image Number | | |
| 1. | 315-450H | AFM4014/16 TRANSPORT FRAME | (S/N 290606+) | Rev. 3 not compat. w/Rev. 2. |
| 1. | 315-285H | 168-200 TRANSPORT FRAME | (S/N 176350<->290605) | Rev. 2 not compat. w/Rev. 1. |
| 1. | 315-180H | FRAME WELDMENT AFM40168/200 | (S/N 176349-) | Rev. 1 |
| 2. | 890-118C | SCREW JACK 2000# | | |
| 3. | 805-081C | PIN HITCH 3/4 X 4 3/8 | | |
| 4. | 802-360C | HHCS 3/4-10X6 1/2 | | |
| 5. | 803-027C | NUT HEX 3/4-10 PLT | | |
| 6. | 804-023C | WASHER LOCK SPRING 3/4 PLT | | |
| 7. | 401-372D | WASHER, SAFETY CHAIN | (S/N 503871+) | |
| 7. | 804-024C | WASHER FLAT 3/4 USS PLT | (S/N 503870-) | |
| 8. | 890-182C | SAFETY CHAIN 10000 LB | When Ordering New Chain Also Order 401-372D | |
| 9. | 315-274H | FRONT HITCH LUG WELDMENT | (S/N 176350+) | Rev. 2 not compat. w/Rev. 1. |
| 9. | 315-197H | SWIVEL HITCH-FRONT AFM168/200 | (S/N 176349-) | Rev. 1 |
| 10. | 802-095C | HHCS 3/4-10X7 GR5 | | |
| 11. | 804-016C | WASHER FLAT 1/2 SAE PLT | | |
| 12. | 315-139H | FRONT P.T.O. MOUNT | | |
| 13. | 805-109C | PIN COTTER 1/8 X 1 1/4 PLT | | |
| 14. | 802-205C | HHCS 1-8X5 1/2 GR5 | | |
| 15. | 804-028C | WASHER FLAT 1 USS PLT | | |
| 16. | 803-038C | NUT HEX 1-8 NYLON INSERT PLT | | |
| 17. | 803-148C | NUT HEX NYLOCK 5/8-11 PLT | | |
| 18. | 315-754D | BALL SWIVEL MOUNT BOTTOM PLATE | | |
| 19. | 315-369H | BALL SWIVEL MOUNT PLATE | | |
| 20. | 315-753D | HITCH SPACER TUBE | | |
| 21. | 802-235C | HHCS 1-8X5 GR5 | | |
| 22. | 802-060C | HHCS 5/8-11X4 GR5 | | |
| 23. | 804-019C | WASHER FLAT 5/8 USS PLT | | |
| 24. | 315-821D | AFM4014/16 BOLT-IN SPINDLE | (S/N 290606+) | |
| 25. | 802-099C | HHCS 1/2-13X3 1/4 GR5 | (S/N 290606+) | |
| 26. | 803-019C | NUT LOCK 1/2-13 PLT | (S/N 290606+) | |
| 27. | 315-454E | AFM4014/16 RH BOLTIN SPIN. ARM | | |
| 28. | 315-455E | AFM4014/16 LH BOLTIN SPIN. ARM | | |
| 29. | 315-460A | 4014/16 BOLT-IN SPIN SHIPOUT | For replacement on (S/N 290605-) | |
| 30. | 802-283C | HHCS 1/4-20X1/2 GR2 | (S/N _____+) | |
| 31. | 816-504C | MANUAL STORAGE CONTAINER | (S/N _____+) | |
| 32. | 804-006C | WASHER LOCK SPRING 1/4 PLT | (S/N _____+) | |
| 33. | 804-007C | WASHER FLAT 1/4 SAE PLT | (S/N _____+) | |

Transport Frame Tire and Hub

Applies to AFM4016 and AFM40200 (S/N 147000+)



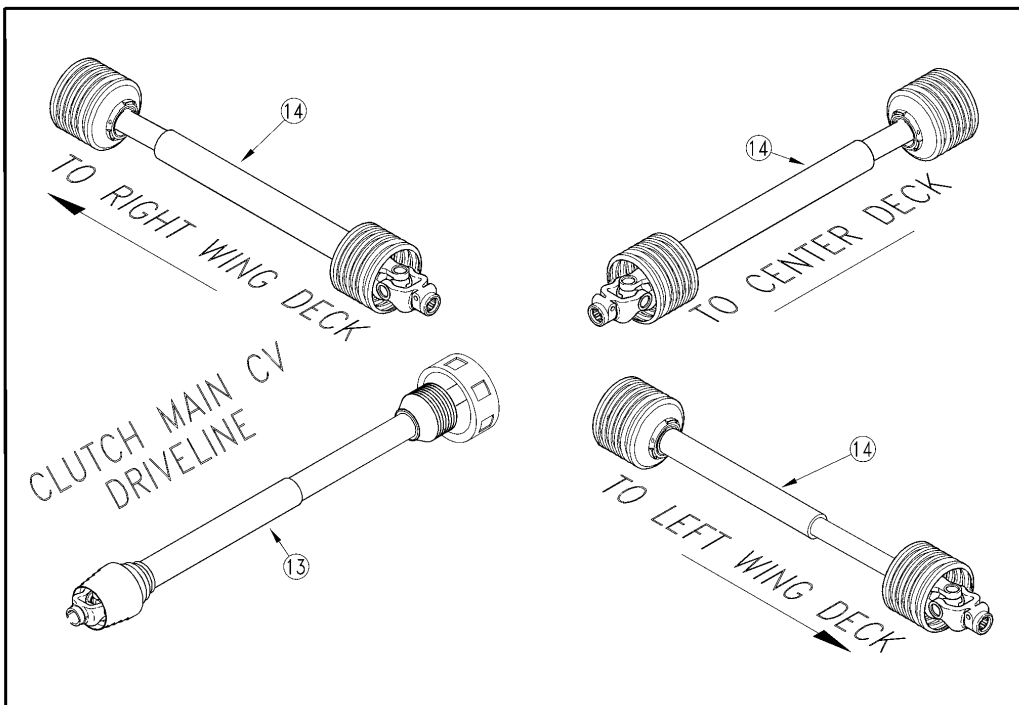
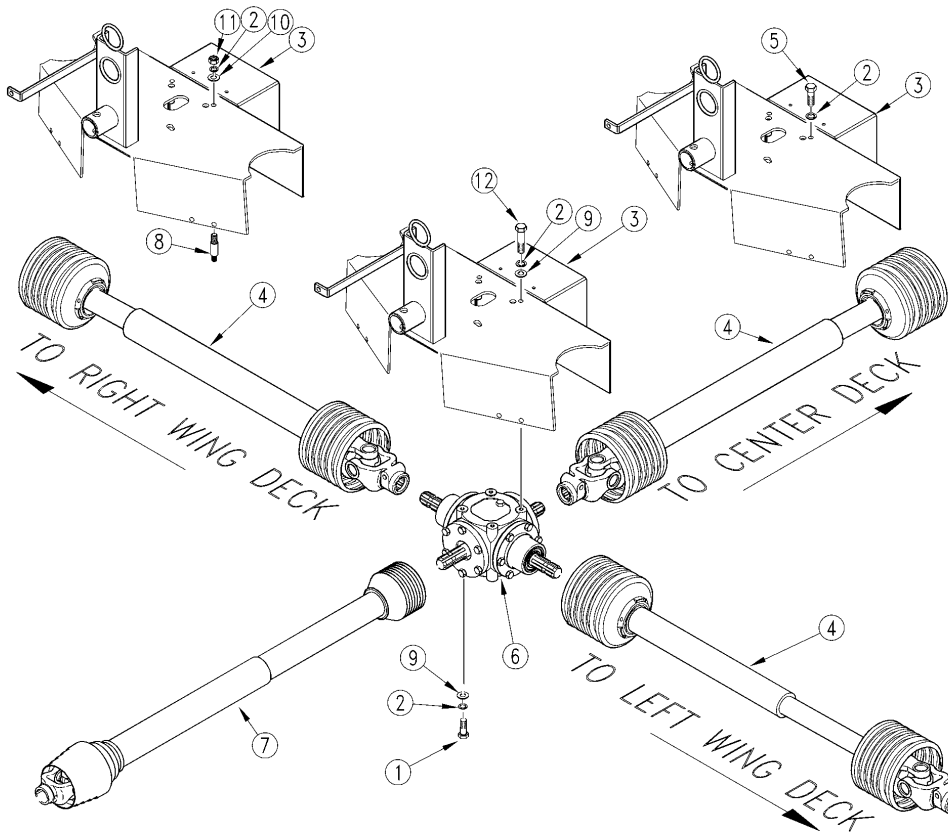
13589

Transport Frame Tire and Hub**Applies to AFM4016 and AFM40200 (S/N 147000+)**

| Ref | Part No. | Part Description | Comments | Revision |
|-----|----------------|--------------------------------|--|---------------------|
| | dwg13589 | Drawing Image Number | | |
| 1. | 814-100C | TIRE & WHL ASSY 23 X 10.5-12 | Includes one each of items 2; 3; & 4. | |
| 2. | 0511421-710 | CL TIRE 23X10.5-12 4P TM TL | Turf Mate | |
| 2. | 051172600710 | CL TIRE 23X10.5-12 4P TRFCHIEF | Turf Chief | |
| 3. | 30-449S6B | TILDEN RIM 12X8.50,8SPOKED BLK | (S/N 250500+) | Rev. 2 |
| 3. | 2L363-17702-01 | CL RIM ASSY 5 BOLT-12 X 8 1/2 | (S/N 250499-) | Rev 1; Use up stock |
| 4. | 816-088C | VALVE STEM TR412 | | |
| 5. | 803-053C | NUT HEX SLOTTED 3/4-16 | | |
| 6. | 804-025C | WASHER FLAT 3/4 SAE PLT | | |
| 7. | 805-045C | PIN COTTER 5/32 X 1 1/4 LG | | |
| 8. | 815-052C | HUB ASSY 5 BOLT 4 1/2" B.C. | Includes one each of items 9; 13 & 15; two each of items 10 & 11 and five each of items 12 & 14. | |
| 9. | 816-014C | TINE GAUGE WHEEL HUB SEAL | | |
| 10. | 822-030C | BEARING CONE 1 | | |
| 11. | 822-080C | BEARING CUP L44610 | | |
| 12. | B0-47 | NEILSON STUD 1/2-20UNFX1 13/16 | | |
| 13. | N/A | NEILSON 5 BOLT HUB | | |
| 14. | 803-159C | NUT LUG 1/2-20 X 60 DEG PLT | | |
| 15. | 890-068C | RPBY 890-614C) GREASE CAP#1518 | | |

Driveline Arrangement

Applies to AFM4016 and AFM40200 (S/N 147000+)



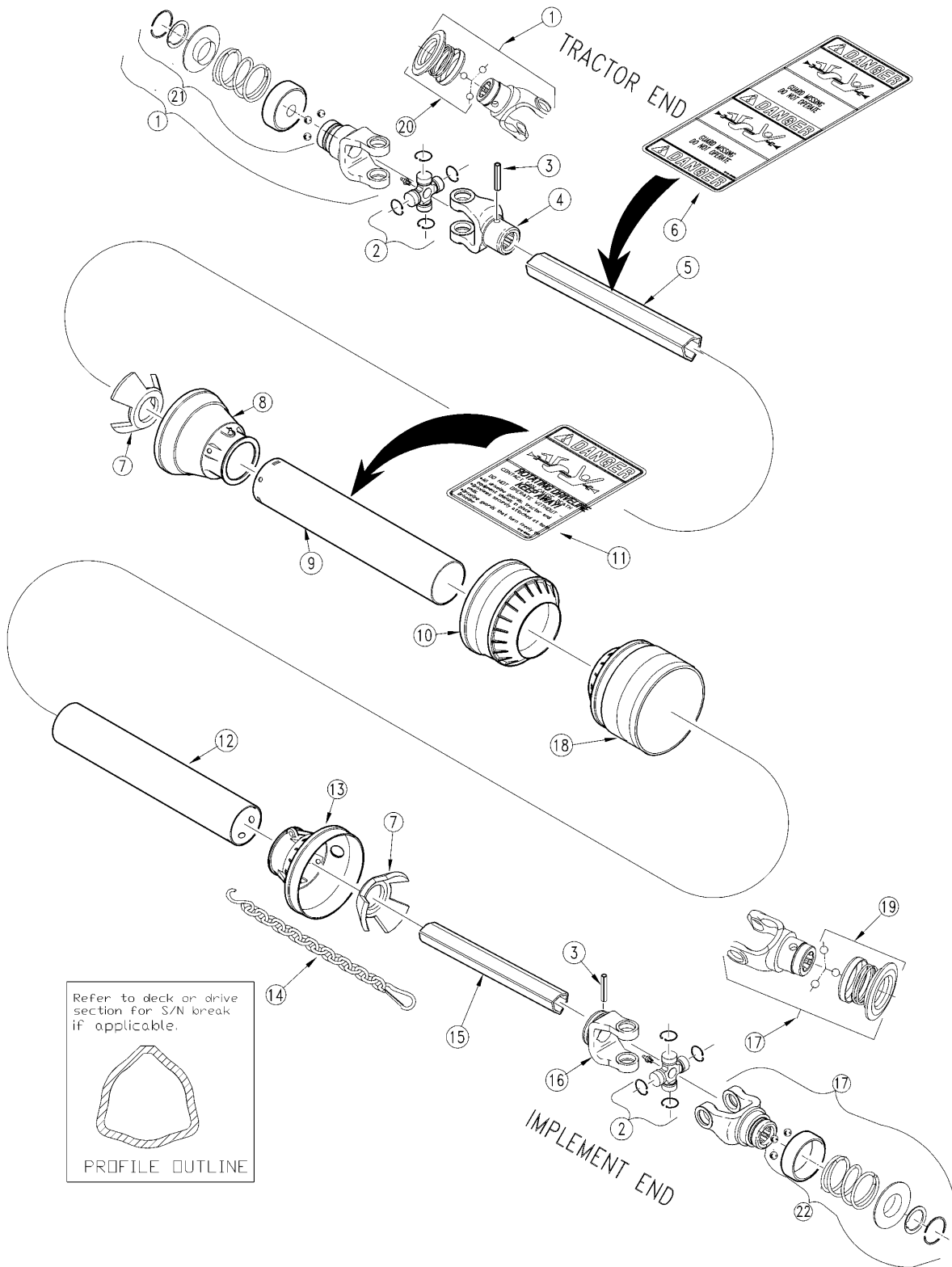
22028

Driveline Arrangement**Applies to AFM4016 and AFM40200 (S/N 147000+)**

| Ref | Part No. | Part Description | Comments | Revision |
|-----|----------|--------------------------------|-----------------------|------------------------------|
| | dwg22028 | Drawing Image Number | | |
| 1. | 802-689C | HHCS 1/2-13X1 1/4 GR5 NYL | (S/N 287708+) | Rev. 3 not compat. w/Rev. 2. |
| 1. | 802-034C | HHCS 1/2-13X1 1/4 GR5 | (S/N 242927<->287707) | Rev. 2 not compat. w/Rev. 1. |
| 1. | 802-258C | HHCS 1/2-13X1 GR5 | (S/N 242926-) | Rev. 1 |
| 2. | 804-015C | WASHER LOCK SPRING 1/2 PLT | | |
| 3. | 315-448H | AFM14,16,22 SPLITTER BOX COVER | (S/N 272760+) | Rev. 3 not compat. w/Rev. 2. |
| 3. | 315-336H | 4-WAY BOX COVER-COMER | (S/N 242927<->272759) | Rev. 2 not compat. w/Rev. 1. |
| 3. | 315-187H | SPLITTER BOX COVER AFM40200 | (S/N 242926-) | Rev. 1 |
| 4. | 826-111C | PTO 2200 X 33.86 W/CLUTCH | | |
| 4. | 826-064C | PTO CAT. 3 X 34 | AFM40200 only | |
| 5. | 802-038C | HHCS 1/2-13X2 1/4 GR5 | | |
| 6. | 826-274C | GBOX DIVIDER OMNI 250559 1:1 | (S/N 272760+) | Rev. 3 not compat. w/Rev. 2. |
| 6. | 826-097C | RPBY 315-447A | (S/N 272759-) | Rev. 2 not compat. w/Rev. 1. |
| 6. | 826-141C | 4-WAY SPLITTER BOX 1:1 RATIO | | Rev. 1 |
| 7. | 826-143C | PTO CV 2480 X 51.5 NO CLUTCH | | |
| 7. | 826-370C | PTO CV CAT.4 W/CLUTCH | Optional | |
| 8. | 315-736D | 4-WAY COVER SPACER STUD | (S/N 242927<->272759) | |
| 9. | 804-113C | WASHER FLAT 1/2 USS HARD PLT | (S/N 242927<->87707)) | |
| 10. | 804-016C | WASHER FLAT 1/2 SAE PLT | (S/N 242927<->272759) | |
| 11. | 803-020C | NUT HEX 1/2-13 PLT | (S/N 242927<->272759) | |
| 12. | 802-226C | HHCS 1/2-13X2 3/4 GR5 | (S/N 272760+) | |
| 13. | 826-370C | PTO CV CAT.4 W/CLUTCH | S/N 370678+ | |
| 14. | 826-371C | PTO CAT.2 X 41 | S/N 370678+ | |

Driveline All Decks (826-064C) Eurocardan

Applies to AFM4016 and AFM40200 (S/N 147000+)



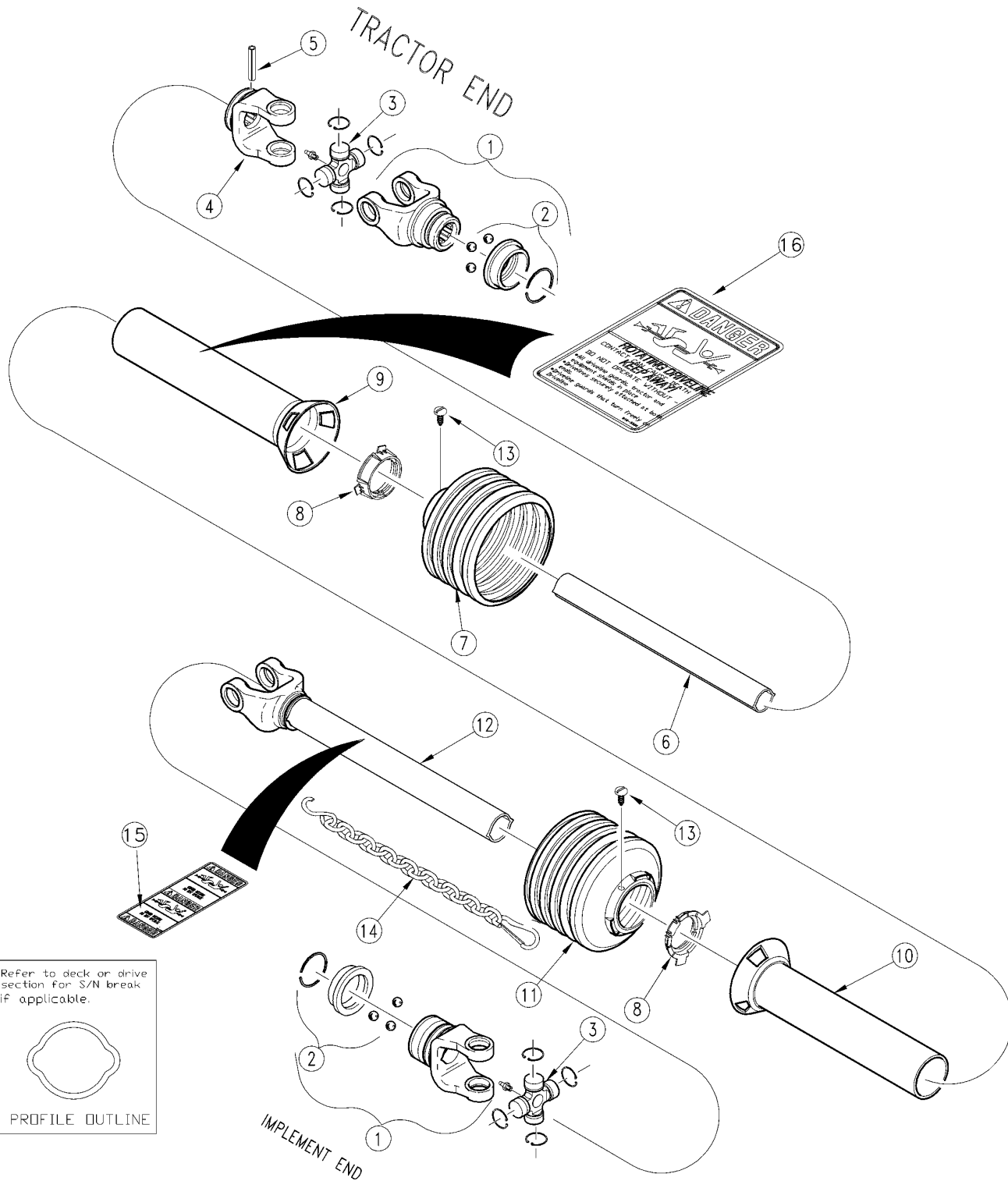
14057

Driveline All Decks (826-064C) Eurocardan**Applies to AFM4016 and AFM40200 (S/N 147000+)**

| Ref | Part No. | Part Description | Comments | Revision |
|------------|-----------------|--------------------------------|-----------------|---------------------|
| | dwg14057 | Drawing Image Number | | |
| | 0826-064C | PTO CAT. 3 X 34 | | |
| 1. | 1014012 | EC YOKE ASSEMBLY | | Rev. 2 |
| 1. | 1014010 | REP BY 1014012 | | Rev 1; Use up stock |
| 2. | 1004020 | EC CROSS ASSEMBLY | | |
| 3. | 6330865 | EC 8X65-DIN-1481 O/TUBE R/PIN | | |
| 4. | 1704027 | EC OUTER TUBE YOKE | | |
| 5. | 1524072 | EC OUTER TUBE | | Rev. 2 |
| 5. | 1534322 | RPBY 1524072 | | Rev 1; Use up stock |
| 6. | 818-540C | DECAL DANGER GUARD MISS PTO | | |
| 7. | 1784210 | EC TUBE BEARING | | Rev. 2 |
| 7. | 1783016 | RPBY 1784210 | | Rev 1; Use up stock |
| 8. | 1884201 | EC OUTER TUBE RIGID CONE | | Rev. 2 |
| 8. | 1883230 | RPBY 1884201 | | Rev 1; Use up stock |
| 9. | 1873064 | EC OUTER TUBE | | Rev. 2 |
| 9. | 1884348 | RPBY 1873064 | | Rev 1; Use up stock |
| 10. | 1884203 | EC SOFT CONE | | Rev. 2 |
| 10. | 1883013 | RPBY 1884203 | | Rev 1; Use up stock |
| 11. | 818-552C | DECAL DANGER PTO DRIVELINE | | |
| 12. | 1872064 | EC INNER TUBE | | Rev. 2 |
| 12. | 1774335 | RPBY 1872064 | | Rev 1; Use up stock |
| 13. | 1884202 | EC INNER TUBE RIGID CONE | | Rev. 2 |
| 13. | 1883231 | RPBY 1884202 | | Rev 1; Use up stock |
| 14. | 044321 | DRIVELINE SHIELD SAFETY CHAIN | | |
| 15. | 1525072 | EC INNER TUBE | | Rev. 2 |
| 15. | 1534308 | RPBY 1525072 | | Rev 1; Use up stock |
| 16. | 1704029 | EC INNER TUBE YOKE | | |
| 17. | 1014012 | EC YOKE ASSEMBLY | | Rev. 2 |
| 17. | 1114010 | REP BY 1014012 | | |
| 18. | 1884205 | EC SOFT LONG CONE | | |
| 19. | 1004225 | EC PULL COLLAR KIT | | |
| 20. | 1004225 | EC PULL COLLAR KIT | | |
| 21. | 1004220 | EC TWIST COLLAR KIT (TRT. END) | | |
| 22. | 1004224 | EC TWIST COLLAR KIT (IMP. END) | | |

Driveline All Decks (826-064C) Walterscheid

Applies to AFM4016 and AFM40200 (S/N 147000+)



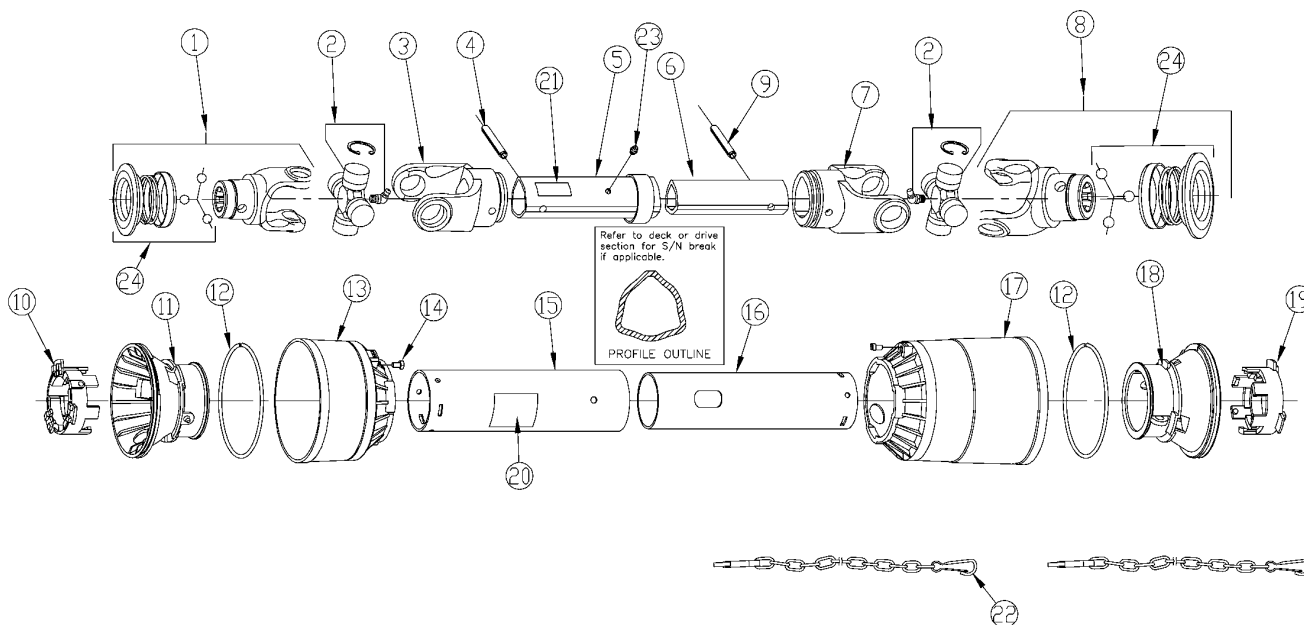
13813

Driveline All Decks (826-064C) Walterscheid**Applies to AFM4016 and AFM40200 (S/N 147000+)**

| Ref | Part No. | Part Description | Comments | Revision |
|------------|-----------------|--------------------------------|-----------------|---------------------|
| | dwg13813 | Drawing Image Number | | |
| | 826-064C | PTO CAT. 3 X 34 | | |
| 1. | 196839 | WS YOKE 1 3/8-6 SPL ASGE | | Rev. 2 |
| 1. | 380906 | RPBY 196839 | | Rev 1; Use up stock |
| 2. | 390404 | WS ASGE COLLAR KIT | | Rev. 2 |
| 2. | 381908 | RPBY 390404 | | Rev 1; Use up stock |
| 3. | 044444 | WS CROSS & BRG KIT | | |
| 4. | 041576 | WS INBOARD YOKE | | |
| 5. | 020616 | WS SPRING PIN | | |
| 6. | 364859 | WS INNER PROFILE 826-064C | | |
| 7. | 377335 | WS SHIELD CONE - 5 RIB | | |
| 8. | 087276 | WS BEARING RING - SC25 | | |
| 9. | 382877 | WS OUTER SHIELD TUBE OVL | | |
| 10. | 382878 | WS INNER SHIELD TUBE RND | | |
| 11. | 377340 | WS SHIELD CONE 10 RIB | | |
| 12. | 381178 | WS YOKE W/OTR PROFILE 826-064C | | |
| 13. | 365305 | WS SCREW | | |
| 14. | 044321 | DRIVELINE SHIELD SAFETY CHAIN | | |
| 15. | 818-540C | DECAL DANGER GUARD MISS PTO | | |
| 16. | 818-552C | DECAL DANGER PTO DRIVELINE | | |

Driveline All Decks (826-371C) Eurocardan

Applies to AFM4016 and AFM40200 (S/N 147000+)

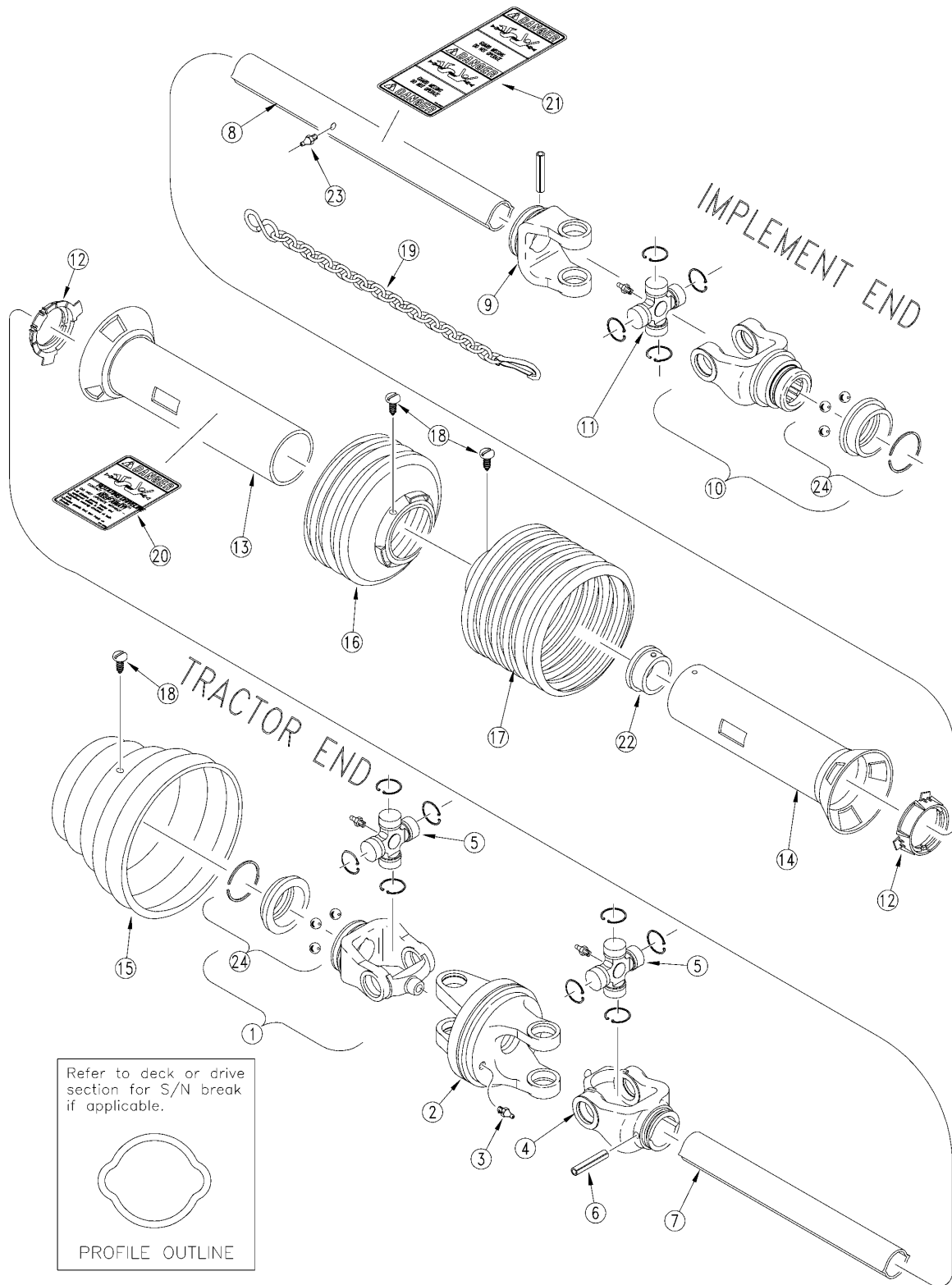


Driveline All Decks (826-371C) Eurocardan**Applies to AFM4016 and AFM40200 (S/N 147000+)**

| Ref | Part No. | Part Description | Comments | Revision |
|------------|-----------------|-------------------------------|-----------------|-----------------|
| | dwg22022 | Drawing Image Number | | |
| | 826-371C | PTO CAT.2 X 41 | | |
| 1. | 1014012 | EC YOKE ASSEMBLY | | |
| 2. | 1004020 | EC CROSS ASSEMBLY (U JOINT) | | |
| 3. | 1704027 | EC OUTER TUBE YOKE | | |
| 4. | 6330860 | EC 08X60 1485DIN ROLL PIN | | |
| 5. | 1524902 | EC INNER TUBE | | |
| 6. | 1525072 | EC INNER TUBE (1525095) 720MM | | |
| 7. | 1704029 | EC INNER TUBE YOKE | | |
| 8. | 1014012 | EC YOKE ASSEMBLY | | |
| 9. | 6330855 | EC 8X55-DIN-1481 O/TUBE R/PIN | | |
| 10. | 1784210 | EC TUBE BEARING | | |
| 11. | 1884201 | EC OUTER TUBE RIGID CONE | | |
| 12. | 1213233 | EC STIFFENING RING | | |
| 13. | 1884203 | EC SOFT CONE | | |
| 14. | 1784212 | EC PIN STOP ROTATION | | |
| 15. | 1873901 | EC OUTER TUBE SHIELD | | |
| 16. | 1872901 | EC INNER SHIELD TUBE | | |
| 17. | 1884205 | EC SOFT LONG CONE | | |
| 18. | 1884202 | EC INNER TUBE RIGID CONE | | |
| 19. | 1784211 | EC TUBE BEARING | | |
| 20. | 818-552C | DECAL DANGER PTO DRIVELINE | | |
| 21. | 818-540C | DECAL DANGER GUARD MISS PTO | | |
| 22. | 044321 | DRIVELINE SHIELD SAFETY CHAIN | | |
| 23. | 6560006 | EC GREASE ZERK M6X1 STRAIGHT | | |
| 24. | 1004225 | EC PULL COLLAR KIT | | |

Driveline CV (826-143C) Walterscheid

Applies to AFM4016 and AFM40200 (S/N 147000+)



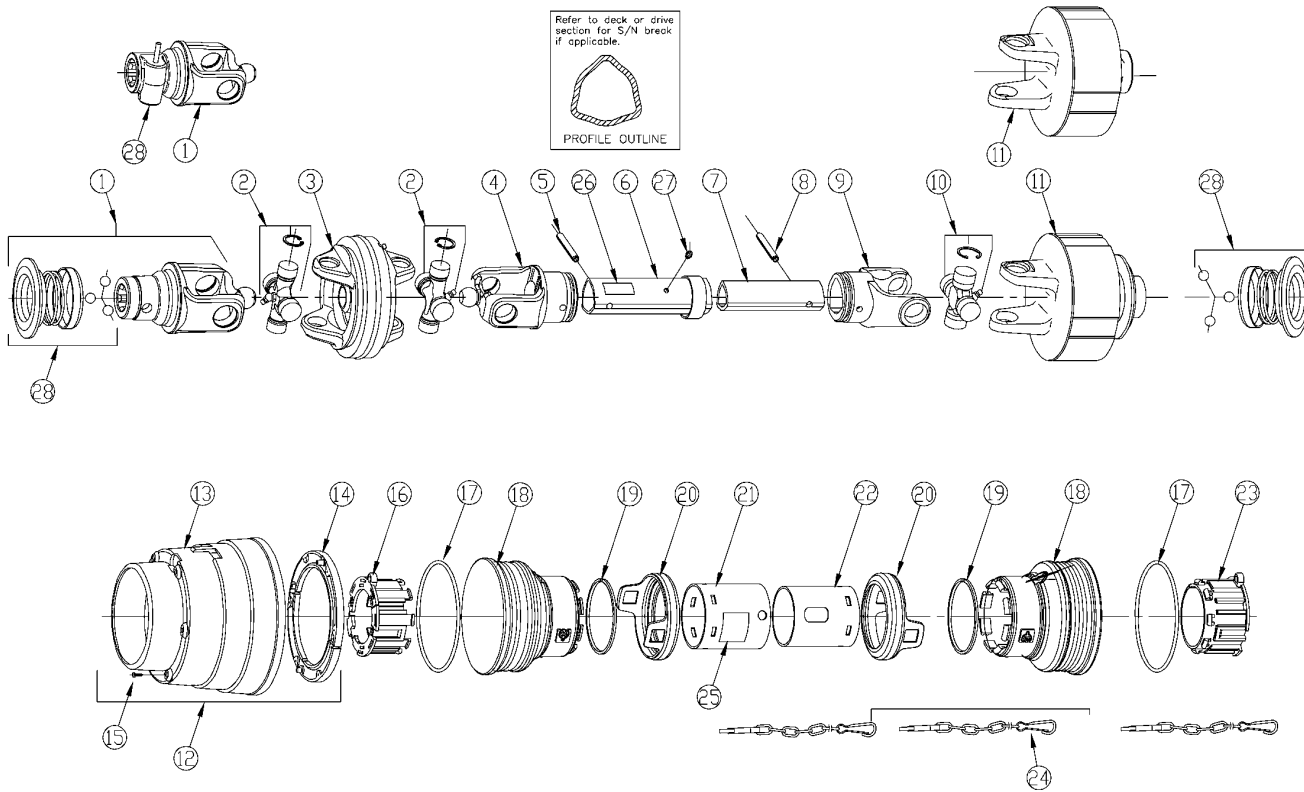
13812

Driveline CV (826-143C) Walterscheid**Applies to AFM4016 and AFM40200 (S/N 147000+)**

| Ref | Part No. | Part Description | Comments | Revision |
|-----|----------|-------------------------------|----------|---------------------|
| | dwg13812 | Drawing Image Number | | |
| | 826-143C | PTO CV 2480 X 51.5 NO CLUTCH | | |
| 1. | 380882 | WS YOKE 1 3/8-6 SPL | | |
| 2. | 365722 | WS DOUBLE YOKE | | |
| 3. | 020672 | WS GREASE ZERK | | |
| 4. | 341586 | WS INBOARD YOKE | | |
| 5. | 342221 | WS CROSS & BEARING KIT | | |
| 6. | 020617 | WS SPRING PIN 10 X 20 | | |
| 7. | 316201 | WS INNER PROFILE 1BGA | | |
| 8. | 383231 | WS PROFILE & SLEEVE | | |
| 9. | 019519 | WS INBOARD YOKE | | |
| 10. | 380907 | WS YOKE 1 3/8-6 SPL AS | | |
| 11. | 312410 | WS CROSS BEARING KIT | | |
| 12. | 087276 | WS BEARING RING - SC25 | | |
| 13. | 390186 | WS OUTER SHIELD TUBE OVL | | |
| 14. | 385954 | WS INNER SHIELD TUBE RND | | |
| 15. | 386083 | WS CV CONE & BEARING ASSY | | |
| 16. | 172758 | WS SHIELD CONE 3 RIB | | |
| 17. | 377336 | WS SHIELD CONE 6 RIB | | |
| 18. | 365305 | WS SCREW | | |
| 19. | 044321 | DRIVELINE SHIELD SAFETY CHAIN | | |
| 20. | 818-552C | DECAL DANGER PTO DRIVELINE | | |
| 21. | 818-540C | DECAL DANGER GUARD MISS PTO | | |
| 22. | 355155 | WS SUPPORT BEARING | | |
| 23. | 380371 | WS ZERK | | |
| 24. | 390404 | WS ASGE COLLAR KIT | | Rev. 2 |
| 24. | 381908 | RPBY 390404 | | Rev 1; Use up stock |

Driveline CV W/ Clutch (826-370C) Eurocardan

Applies to AFM4016 and AFM40200 (S/N 147000+)

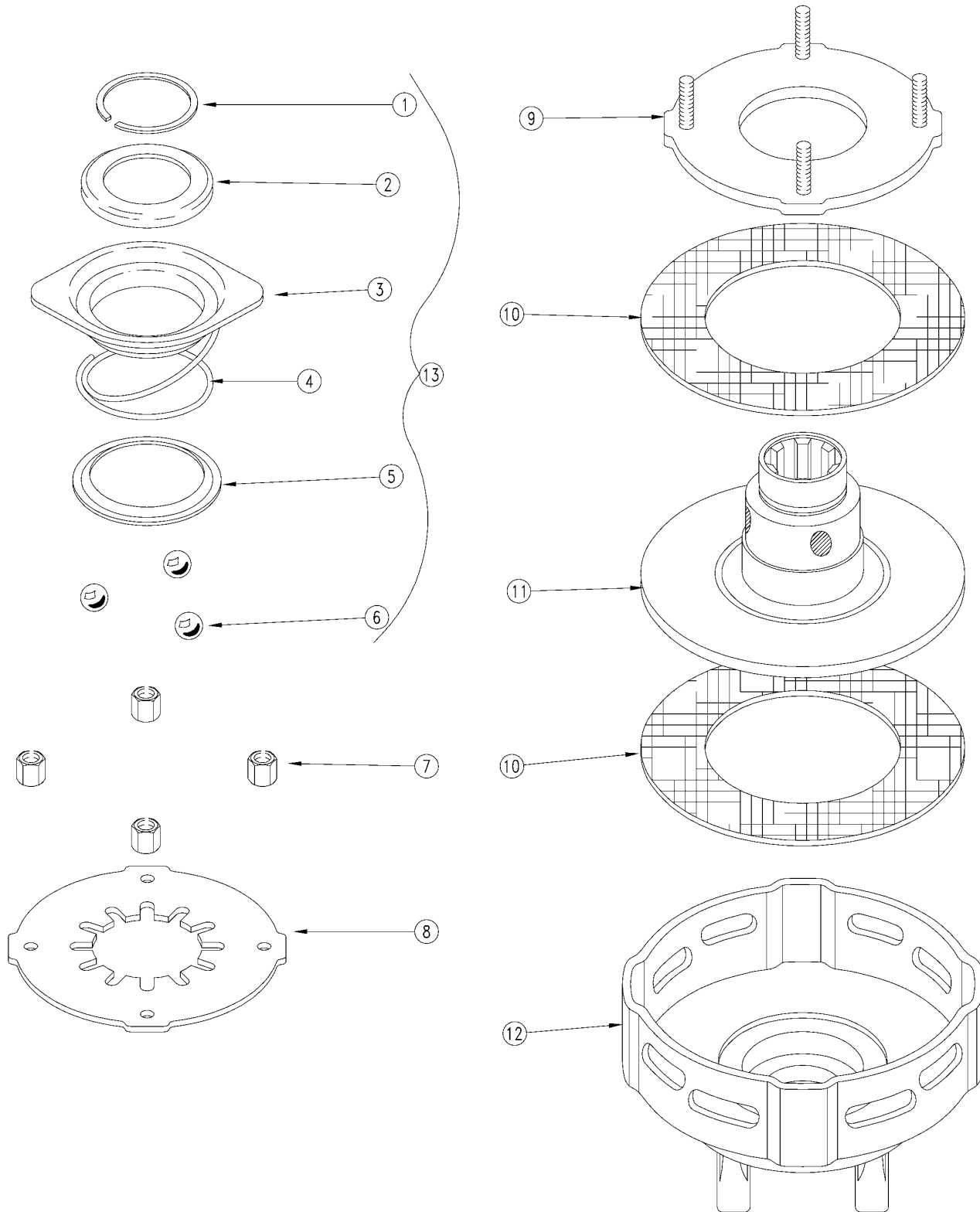


Driveline CV W/ Clutch (826-370C) Eurocardan**Applies to AFM4016 and AFM40200 (S/N 147000+)**

| Ref | Part No. | Part Description | Comments | Revision |
|-----|----------|--------------------------------|-------------------------------------|----------|
| | dwg22023 | Drawing Image Number | | |
| | 826-370C | PTO CV CAT.4 W/CLUTCH | | |
| 1. | 1006865 | EC PULL COLLAR YOKE 1.38-6 | Pull collar yoke | |
| 1. | 1006803 | RPBY 1006865 | Push-pin yoke | |
| 2. | 1006830 | EC GO6 CROSS ASSEMBLY | | |
| 3. | 1006831 | EC HOMOKINETIC JOINT | | |
| 4. | 1006827 | EC OUTER TUBE HOMOKINETIC YOKE | | |
| 5. | 6331080 | EC 10X80-DIN-1481 O/TUBE R/PIN | | |
| 6. | 1548900 | EC OUTER TUBE | | |
| 7. | 1546096 | EC INNER TUBE 960MM | | |
| 8. | 6331070 | EC 10X70 ROLL PIN | | |
| 9. | 1706029 | EC INNER TUBE YOKE | | |
| 10. | 1006020 | EC CROSS ASSEMBLY | | |
| 11. | 1466607 | EC CLUTCH BD4/6 1600Nm | EC Clutch w/pull collar | |
| 11. | 1466305 | RPBY 1466607 | EC Clutch w/clamp yoke (BC4 1600Nm) | |
| 12. | 9190601 | EC WIDE ANGLE PROTECTION | | |
| 13. | 1886802 | EC SOFT CONE | | |
| 14. | 1786801 | EC BEARING SOFT CONE | | |
| 15. | 6280313 | EC SELF THREADING SCREW | | |
| 16. | 1786710 | EC TUBE BEARING (OUTER TUBE) | | |
| 17. | 1215733 | EC STIFFENING RING | | |
| 18. | 1885702 | EC SHORT CONE | | |
| 19. | 1215735 | EC STOP RING | | |
| 20. | 1885709 | EC SAFETY SLEEVE | | |
| 21. | 1876902 | EC OUTER TUBE SHIELD | | |
| 22. | 1877902 | EC INNER TUBE SHIELD | | |
| 23. | 1786711 | EC TUBE BEARING (INNER TUBE) | | |
| 24. | 044321 | DRIVELINE SHIELD SAFETY CHAIN | | |
| 25. | 818-552C | DECAL DANGER PTO DRIVELINE | | |
| 26. | 818-540C | DECAL DANGER GUARD MISS PTO | | |
| 27. | 6560006 | EC GREASE ZERK M6X1 STRAIGHT | | |
| 28. | 1004225 | EC PULL COLLAR KIT | | |
| 28. | 1581036 | EC PUSH-PIN KIT CV YOKES 1 3/8 | | |

Driveline Slip Clutch (053314)

Applies to AFM4016 and AFM40200 (S/N 147000+)



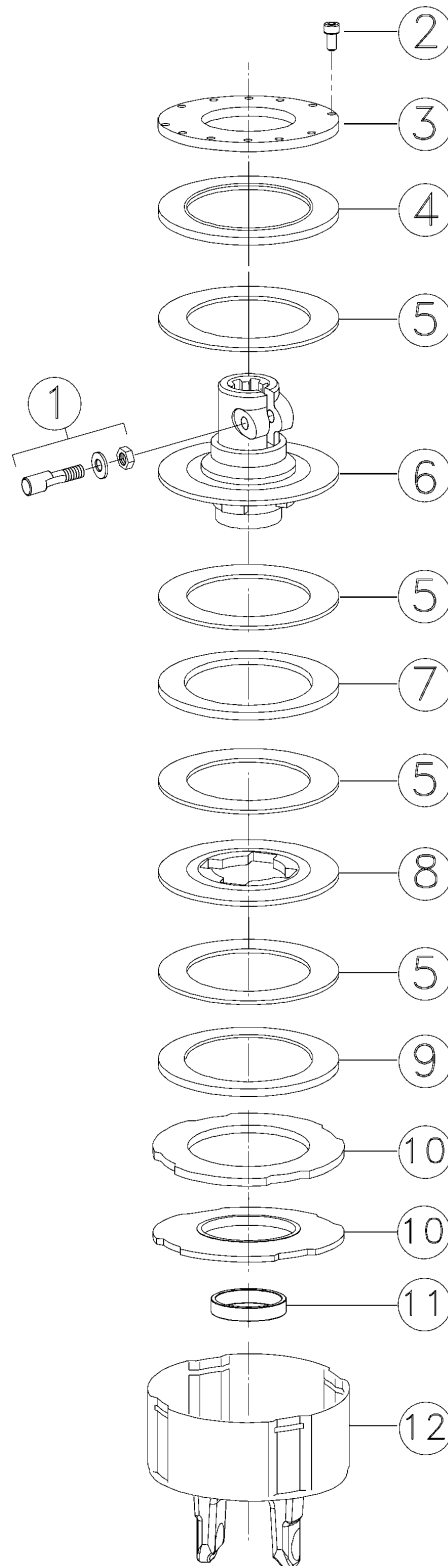
10600

Driveline Slip Clutch (053314)**Applies to AFM4016 and AFM40200 (S/N 147000+)**

| Ref | Part No. | Part Description | Comments | Revision |
|------------|-----------------|-------------------------|--|-----------------|
| | dwg10600 | Drawing Image Number | | |
| | 053314 | WS FRICTION CLUTCH | | |
| 1. | 304149 | WS SNAP RING | | |
| 2. | 338531 | WS FLANGED RING | | |
| 3. | 045790 | WS LOCK COLLAR | | |
| 4. | 045793 | WS COMPRESSION SPRNG | | |
| 5. | 047825 | WS BACK UP RING | | |
| 6. | 020692 | WS BALL | | |
| 7. | 381957 | WS HEX NUT M8 | | |
| 8. | 043489 | WS BELLEVILLE SPRING | To increase NM to 650 use 2 ea 043487 | |
| 9. | 381495 | WS THRUST PLATE | | |
| 10. | 168556 | WS FRICTION DISK | | |
| 11. | 051551 | WS HUB 1 3/8-6 SPL | | |
| 12. | 041180 | WS CLUTCH HOUSING | | |
| 13. | 341953 | WS Q.D. FLG. KIT | | |

Driveline Slip Clutch (1466305) Eurocardan

Applies to AFM4016 and AFM40200 (S/N 147000+)



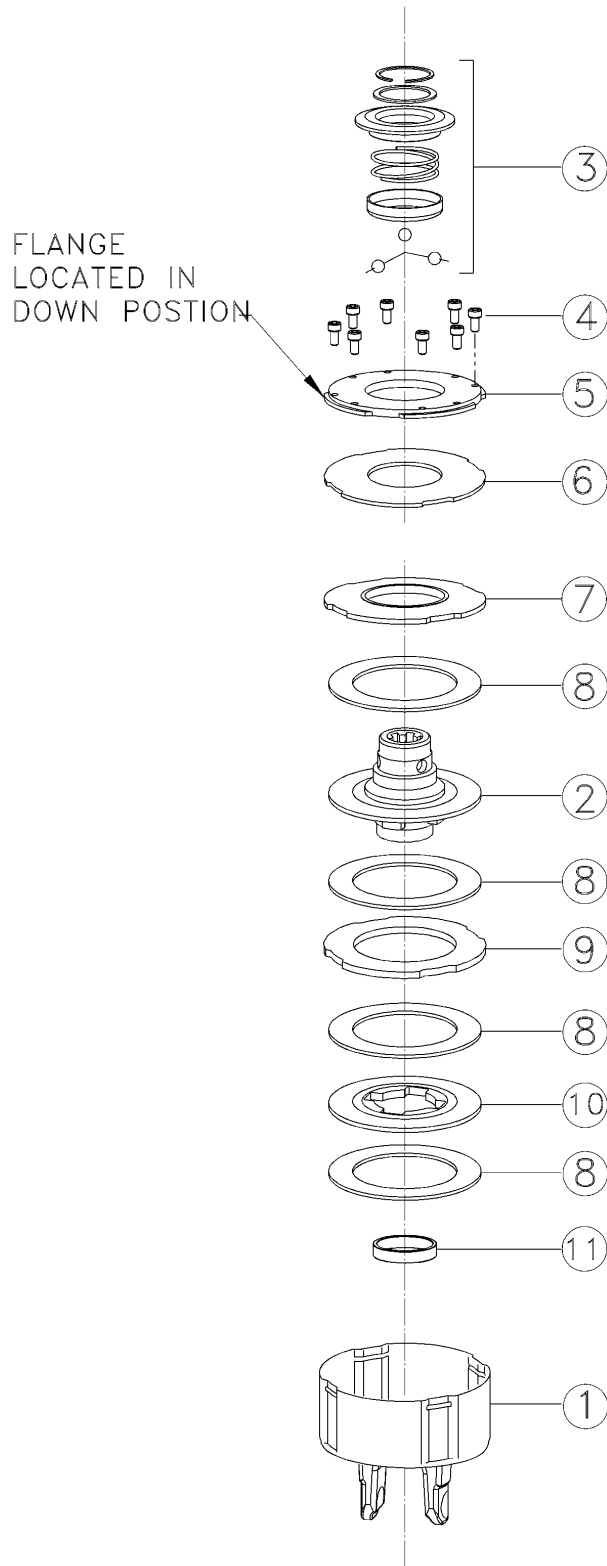
23887

Driveline Slip Clutch (1466305) Eurocardan**Applies to AFM4016 and AFM40200 (S/N 147000+)**

| Ref | Part No. | Part Description | Comments | Revision |
|------------|---------------------|--------------------------------------|--------------------------------------|-----------------|
| | dwg23887 1466305 | Drawing Image Number RPBY 1466607 | EC CLUTCH (CLAMP TYPE SPLINE END) | |
| 1. | 6821279 | EC CONICAL CLAMP KIT (1 3/8) | | |
| 2. | 6041016 | EC SCREW | | |
| 3. | 1136007 | EC CLOSURE FLANGE | | |
| 4. | 1136008 | EC INT. FLANGE | | |
| 5. | 1806010 | EC FRICTION DISC | | |
| 6. | 1706065 | EC HUB WITH FLANGE (1 3/8-6) | | |
| 7. | 1136006 | EC INTERMEDIARY FLANGE | | |
| 8. | 1136010 | EC HUB DISC | | |
| 9. | 1136009 | EC SPRING FLANGE | | |
| 10. | 1216914 | EC SPRING KIT (R1300Nm) | | |
| 10. | 1216907 | RPBY 1216914 | | |
| 11. | 1705009 | EC CLUTCH BUSHING | | |
| 12. | 1466000 | EC OUTER BODY FOR BC | | |

Driveline Slip Clutch (1466607) Eurocardan

Applies to AFM4016 and AFM40200 (S/N 147000+)



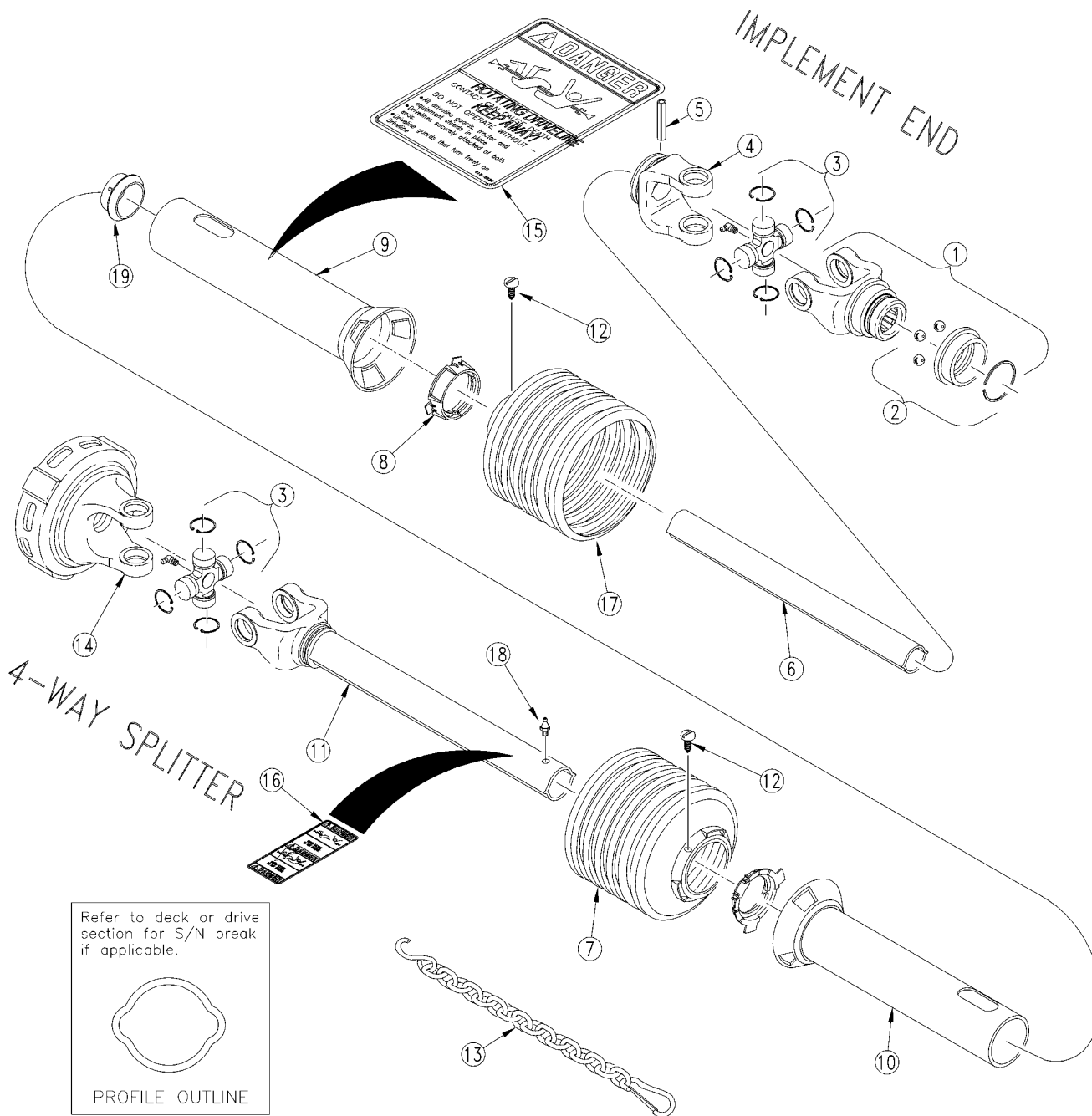
23890

Driveline Slip Clutch (1466607) Eurocardan**Applies to AFM4016 and AFM40200 (S/N 147000+)**

| Ref | Part No. | Part Description | Comments | Revision |
|------------|-----------------|---------------------------|-----------------|-----------------|
| | dwg23890 | Drawing Image Number | | |
| | 1466607 | EC CLUTCH BD4/6 1600Nm | | |
| 1. | 1466001 | EC OUTER BODY FOR BD4/6 | | |
| 2. | 1706085 | EC HUB WITH FLANGE 1.38-6 | | |
| 3. | 1004225 | EC PULL COLLAR KIT | | |
| 4. | 6040816 | EC SCREW M8 X 16 | | |
| 5. | 1134012 | EC CLOSURE FLANGE | | |
| 6. | 1216907 | EC SPRING KIT (V1600Nm) | | |
| 7. | 1134011 | EC PRESSURE FLANGE | | |
| 8. | 1806010 | EC FRICTION DISC | | |
| 9. | 1136008 | EC INT. FLANGE | | |
| 10. | 1136010 | EC HUB DISC | | |
| 11. | 1705009 | EC CLUTCH BUSHING | | |

Driveline W/Clutch All Decks (826-111C) Walterscheid

Applies to AFM4016 and AFM40200 (S/N 147000+)



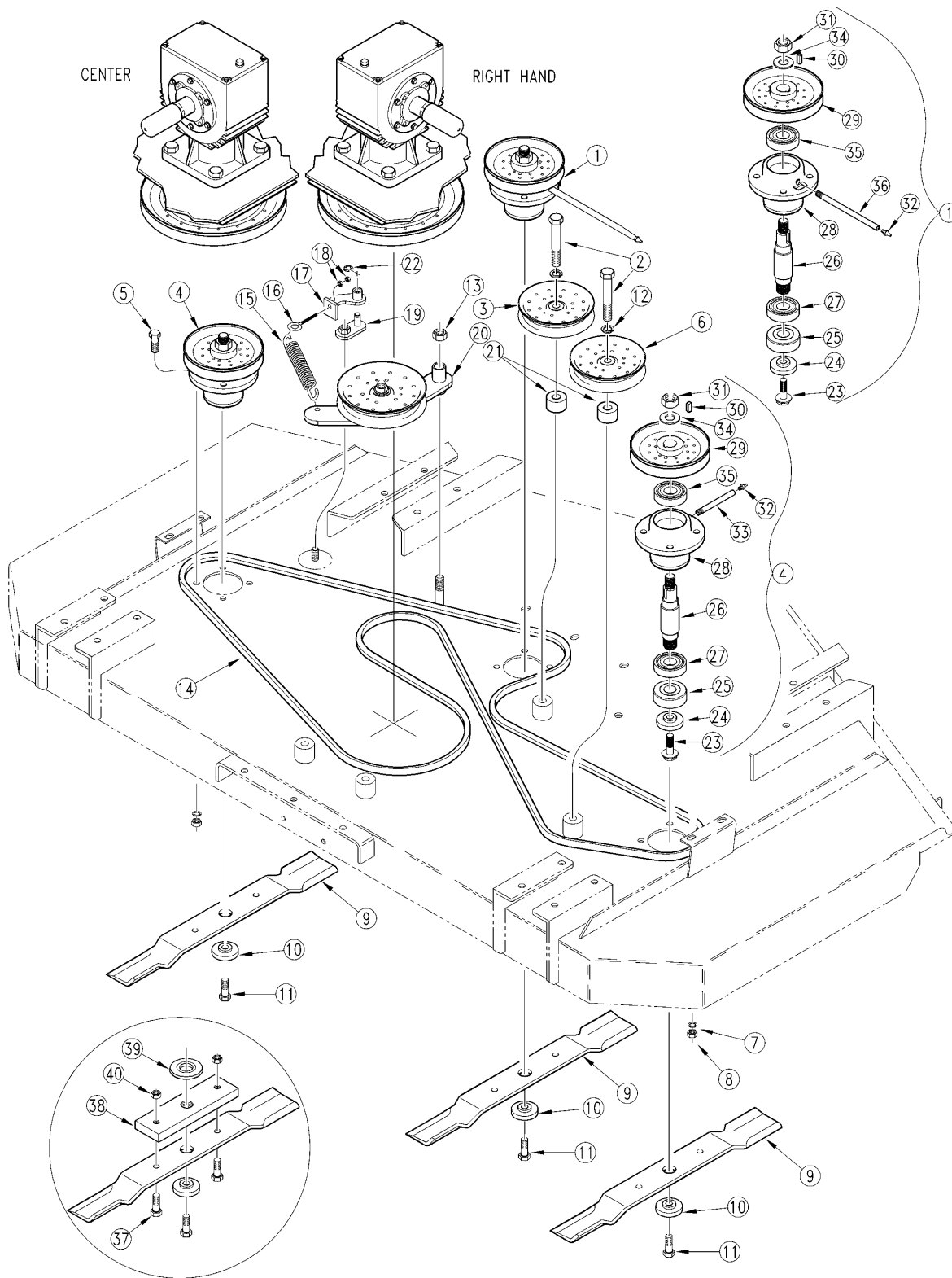
13449

Driveline W/Clutch All Decks (826-111C) Walterscheid**Applies to AFM4016 and AFM40200 (S/N 147000+)**

| Ref | Part No. | Part Description | Comments | Revision |
|------------|-----------------|--------------------------------|-----------------|------------------------------|
| | dwg13449 | Drawing Image Number | | |
| | 826-111C | PTO 2200 X 33.86 W/CLUTCH | | |
| 1. | 196837 | WS ASGE YOKE 1 3/8-6 SPL. | | Rev. 2 |
| 1. | 380905 | RPBY 196837 | | Rev 1; Use up stock |
| 2. | 390404 | WS ASGE COLLAR KIT | | Rev. 2 |
| 2. | 381908 | RPBY 390404 | | Rev 1; Use up stock |
| 3. | 044439 | WALTERSCHEID CROSS & BRG KIT | | |
| 4. | 041065 | WALTERSCHEID INBOARD YOKE | | |
| 5. | 020614 | WALTERSCHEID SPRING PIN | | |
| 6. | 047680 | WS INNER PROFILE 826-111C | | |
| 7. | 377234 | WALTERSCHEID SHIELD CONE-4 RIB | | |
| 8. | 087279 | WALTERSCHEID BEARING RING | | |
| 9. | 392052 | WS OUTER SHIELD OVL. | (S/N 259230+) | Rev. 2 not compat. w/Rev. 1. |
| 9. | 387332 | RPBY 392052 | (S/N 259229+) | Rev. 1 |
| 10. | 392050 | WS INNER SHIELD RND. | (S/N 259230+) | Rev. 2 not compat. w/Rev. 1. |
| 10. | 387266 | RPBY 392050 | (S/N 259229+) | Rev. 1 |
| 11. | 390289 | WS YOKE W/OTR PROFILE 826-111C | | |
| 12. | 365305 | WALTERSCHEID SCREW | | |
| 13. | 044321 | WALTERSCHEID SAFETY CHAIN | | |
| 14. | 053314 | WS FRICTION CLUTCH | | |
| 15. | 818-552C | DECAL DANGER PTO DRIVELINE | | |
| 16. | 818-540C | DECAL DANGER GUARD MISS PTO | | |
| 17. | 377240 | WALTERSCHEID SHIELD CONE-10RIB | | |
| 18. | 380371 | WS ZERK | (S/N 259230+) | |
| 19. | 355154 | WS SUPPORT BEARING | (S/N 259230+) | |

Belt Drive Center and Right Hand Deck (S/N 212180-)

Applies to AFM4016 and AFM40200 (S/N 147000+)



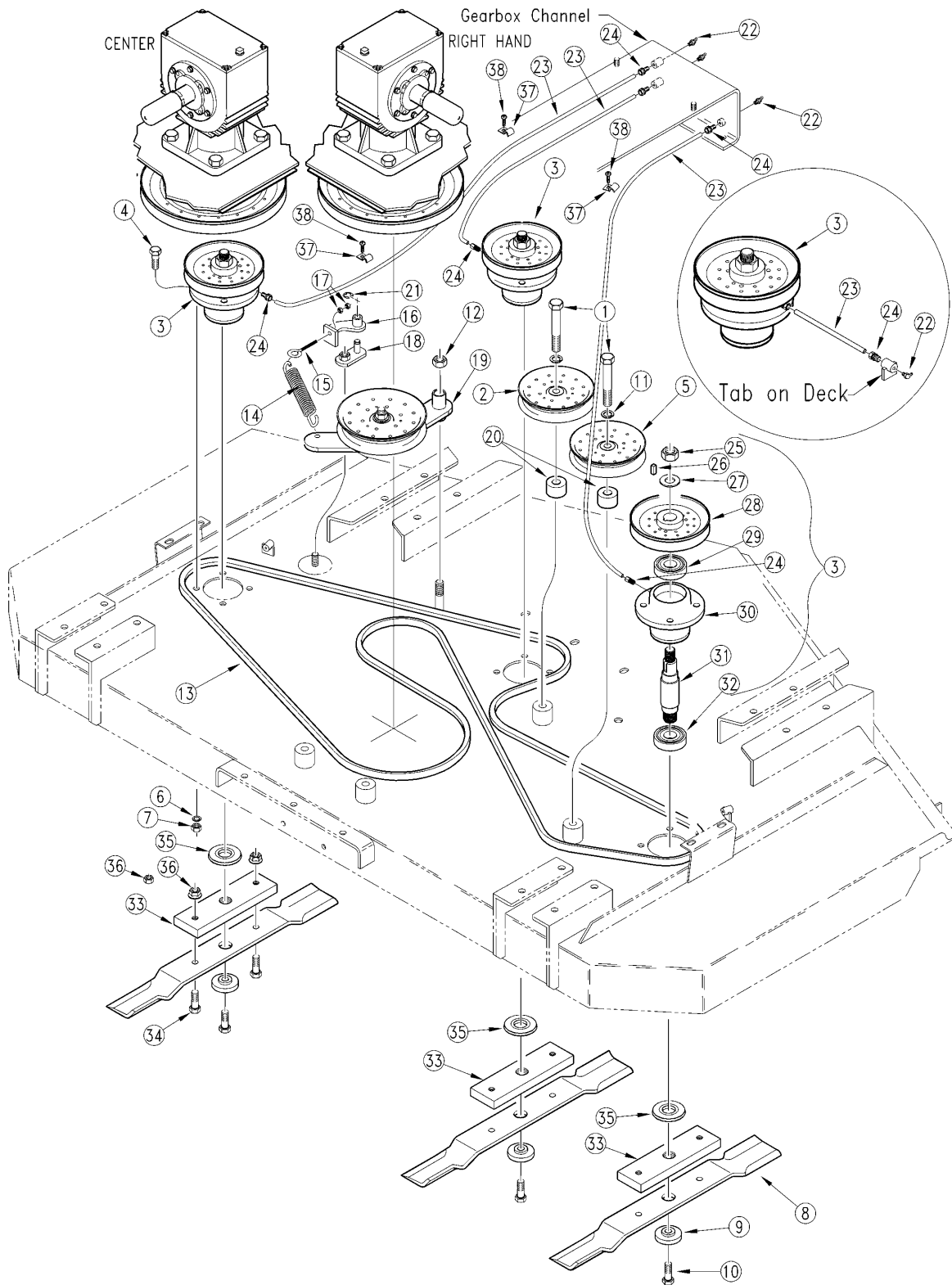
13555

Belt Drive Center and Right Hand Deck (S/N 212180-)**Applies to AFM4016 and AFM40200 (S/N 147000+)**

| Ref | Part No. | Part Description | Comments | Revision |
|------------|-----------------|--------------------------------|--|------------------------------|
| | dwg13555 | Drawing Image Number | | |
| 1. | 315-212S | CCW SPDLE HUB ASSY 6PUL 9.8TB | Includes items 23 through 32, 34, 35 & 36 | |
| 2. | 802-281C | HHCS 5/8-11X2 3/4 GR5 | | |
| 3. | 808-129C | FLAT IDLER PULLEY 6 O.D. | | |
| 4. | 315-211S | CCW SPINDLE HUB ASSY 6PUL 3TB | Includes items 23 through 35 | |
| 5. | 802-229C | HHCS 7/16-20X1 1/2 GR8 | | |
| 6. | 808-128C | B-GROOVE IDLER PULLEY 6.25 OD | | |
| 7. | 804-014C | WASHER LOCK 7/16 PLT | | |
| 8. | 803-115C | NUT HEX 7/16-20 PLT | | |
| 9. | 890-366C | MWR BLD 5/16 X 25 SD LL CCW | Standard Low Lift Blades 3 per Deck | |
| 9. | 890-367C | MWR BLD 1/4 X 25 SD HL CCW | Optional High Lift Blades 3 per Deck | |
| 9. | 890-319C | MWR BLD 1/4 X 25SD ML CCW | Optional Medium Lift Blades 3 per Deck | |
| 9. | 890-699C | MWR BLD MULCH 1/4X25SD CCW | Optional Mulch Blades 3 per Deck | |
| 10. | 804-110C | WASHER BLADE 2ODX.56THKX.51ID | | |
| 11. | 802-447C | HFS 1/2-20X1 1/4 L.H. THD GR5 | | |
| 11. | 802-696C | HFS 1/2-20X2 LH GR8 | For counter bored shaft | |
| 12. | 804-022C | WASHER LOCK SPRING 5/8 PLT | | |
| 13. | 803-119C | NUT LOCK 5/8-18 NYLOK COLLAR P | | |
| 14. | 816-141C | V-BELT B173 175.9 E.L. KEVLAR | | |
| 15. | 807-068C | SPRING EXT BELT HANDLE | | |
| 16. | 802-443C | SP EYE 1/4-20X4 1/4-4 1/2 | (S/N 174815+) | Rev. 2 not compat. w/Rev. 1. |
| 16. | 802-233C | SP EYE 1/4-20X2 3/4 | (S/N 174814-) | Rev. 1 |
| 17. | 310-095H | SPRING EYE-BOLT BRACKET | | |
| 18. | 803-014C | NUT HEX 3/8-16 PLT | (S/N 174815+) | Rev. 2 |
| 18. | 803-006C | NUT HEX 1/4-20 PLT | (S/N 174814-) | Rev 1; Use up stock |
| 19. | 310-094H | OVER-CENTER LATCH-90 | | |
| 20. | 315-213S | CCW BELT TAKE-UP HANDLE | | |
| 21. | 315-563D | IDLER PULLEY SPACER-SHORT | | |
| 22. | 800-099C | SNAP RING EXT 7/16 | | |
| 23. | 802-447C | HFS 1/2-20X1 1/4 L.H. THD GR5 | | |
| 23. | 802-696C | HFS 1/2-20X2 LH GR8 | For counter bored shaft | |
| 24. | 804-110C | WASHER BLADE 2ODX.56THKX.51ID | | |
| 25. | 315-494D | BLADE HUB C.C.W. | | |
| 26. | 315-493D | RPBY 310-352S | | |
| 27. | 822-006C | BEARING 206 | | |
| 28. | 310-224D | BLADE HUB- MACH.-90 | | |
| 29. | 808-127C | B-GROOVE DRIVE PULLEY 6 O.D. | | |
| 30. | 172-242D | 1/4 SQ. KEY X 7/8 LG | | |
| 31. | 803-228C | NUT HEX 3/4-16LH NYLOC COLLAR | | |
| 32. | 800-075C | ZERK 5/16-24 STRAIGHT #1711B | | |
| 33. | 310-312D | LUBE FITTING 3" EXTENSION | | |
| 34. | 804-093C | WASHER FLAT 3/4 HARD ASTM F436 | | Rev. 2 not compat. w/Rev. 1. |
| 34. | 804-025C | WASHER FLAT 3/4 SAE PLT | | Rev. 1 |
| 35. | 822-161C | BEARING 6206 W/ METAL SHIELD | | Rev. 2 not compat. w/Rev. 1. |
| 35. | 822-006C | BEARING 206 | | Rev. 1 |
| 36. | 310-176D | 72 CENTER GREASE TUBE | | |
| 37. | 802-329C | HHCS 1/2-20X1 3/4 GR5 | (S/N 206938+) | Rev. 2 not compat. w/Rev. 1. |
| 37. | 802-240C | HHCS 1/2-20X1 GR5 | (S/N 206938-) | Rev. 1 |
| 38. | 315-751D | 4016 L.H. THREAD BLADE BAR | Was changed from tapped holes to drilled holes S/N 206938+ | |
| 39. | 310-227D | BLADE WASHER-90 | | |
| 40. | 803-018C | NUT HEX 1/2-20 PLT | (S/N 206938+) | |

Belt Drive Center and Right Hand Deck (S/N 212181+)

Applies to AFM4016 and AFM40200 (S/N 147000+)



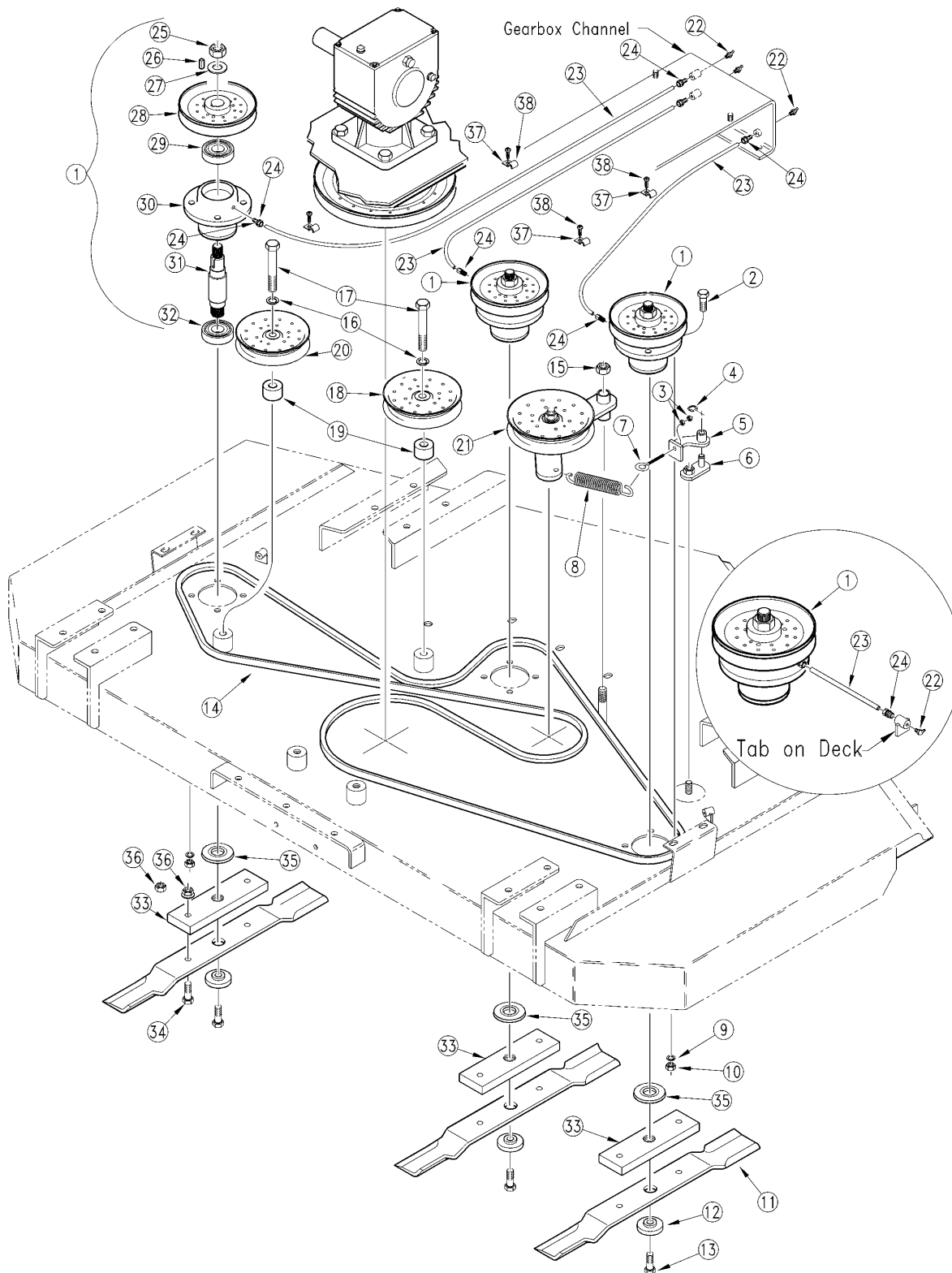
16543

Belt Drive Center and Right Hand Deck (S/N 212181+)**Applies to AFM4016 and AFM40200 (S/N 147000+)**

| Ref | Part No. | Part Description | Comments | Revision |
|-----|----------|--------------------------------|--|------------------------------|
| | dwg16543 | Drawing Image Number | | |
| 1. | 802-281C | HHCS 5/8-11X2 3/4 GR5 | | |
| 2. | 808-129C | FLAT IDLER PULLEY 6 O.D. | | |
| 3. | 315-381S | CCW SPIN. ASSY 6" COM. UNIT | | |
| 4. | 802-229C | HHCS 7/16-20X1 1/2 GR8 | | |
| 5. | 808-128C | B-GROOVE IDLER PULLEY 6.25 OD | | |
| 6. | 804-014C | WASHER LOCK 7/16 PLT | | |
| 7. | 803-115C | NUT HEX 7/16-20 PLT | | |
| 8. | 890-366C | MWR BLD 5/16 X 25 SD LL CCW | Standard Low Lift Blades 3 per Deck | |
| 8. | 890-367C | MWR BLD 1/4 X 25 SD HL CCW | Optional High Lift Blades 3 per Deck | |
| 8. | 890-319C | MWR BLD 1/4 X 25SD ML CCW | Optional Medium Lift Blades 3 per Deck | |
| 8. | 890-699C | MWR BLD MULCH 1/4X25SD CCW | Optional Mulch Blades 3 per Deck | |
| 9. | 804-110C | WASHER BLADE 2ODX.56THKX.51ID | | |
| 10. | 802-447C | HFS 1/2-20X1 1/4 L.H. THD GR5 | | |
| 10. | 802-696C | HFS 1/2-20X2 LH GR8 | For counter bored shaft | |
| 11. | 804-022C | WASHER LOCK SPRING 5/8 PLT | | |
| 12. | 803-119C | NUT LOCK 5/8-18 NYLOK COLLAR P | | |
| 13. | 816-141C | V-BELT B173 175.9 E.L. KEVLAR | | |
| 14. | 807-068C | SPRING EXT BELT HANDLE | | |
| 15. | 802-567C | SP EYE 3/8-16X 3 7/8 | | |
| 16. | 310-095H | SPRING EYE-BOLT BRACKET | | |
| 17. | 803-014C | NUT HEX 3/8-16 PLT | | |
| 18. | 310-094H | OVER-CENTER LATCH-90 | | |
| 19. | 315-213S | CCW BELT TAKE-UP HANDLE | | |
| 20. | 315-563D | IDLER PULLEY SPACER-SHORT | | |
| 21. | 800-099C | SNAP RING EXT 7/16 | | |
| 22. | 800-130C | GREASE ZERK STRAIGHT 1/8-27NPT | (S/N 239258+) | Rev. 2 not compat. w/Rev. 1. |
| 22. | 800-193C | GREASE ZERK 1/8NPT 45-DEG | (S/N 239257-) | Rev. 1 |
| 23. | 990-109R | TUBE NYLON 1/4OD X 062WL | Order Per Foot as Required | |
| 24. | 800-372C | FTG TUBE, PUSH CONNECT 1/8NPT | S/N _____ + | |
| 24. | 800-157C | FTG TUBE,CONNECTOR 1/8 MNPT | S/N _____ - | |
| 25. | 803-228C | NUT HEX 3/4-16LH NYLOC COLLAR | | |
| 26. | 172-242D | 1/4 SQ. KEY X 7/8 LG | | |
| 27. | 804-093C | WASHER FLAT 3/4 HARD ASTM436 | | |
| 28. | 808-127C | B-GROOVE DRIVE PULLEY 6 O.D. | | |
| 29. | 822-161C | BEARING 6206 W/ METAL SHIELD | | |
| 30. | 310-224D | BLADE HUB - MACH | | |
| 31. | 315-493D | RPBY 310-352S | | |
| 32. | 822-006C | BEARING 206 | | |
| 33. | 315-751D | 4016 L.H. BLADE BAR | | |
| 34. | 802-329C | HHCS 1/2-20X1 3/4 GR5 | | Rev. 2 not compat. w/Rev. 1. |
| 34. | 802-240C | HHCS 1/2-20X1 GR5 | | Rev. 1 |
| 35. | 310-227D | BLADE WASHER-90 | | |
| 36. | 803-308C | NUT HEX FLG. LOCK 1/2-20 PLT. | (S/N 319784+) | Rev. 2 |
| 36. | 803-018C | NUT HEX 1/2-20 PLT | (S/N 319783-) | Rev 1; Use up stock |
| 37. | 890-266C | HALF-CLIP 5/16 DIA. HOSE | (S/N 239258+) | |
| 38. | 801-032C | SCREW HEX SELF-TAP 1/4-20X 1/2 | (S/N 239258+) | |

Belt Drive Left Hand Deck (212181+)

Applies to AFM4016 and AFM40200 (S/N 147000+)



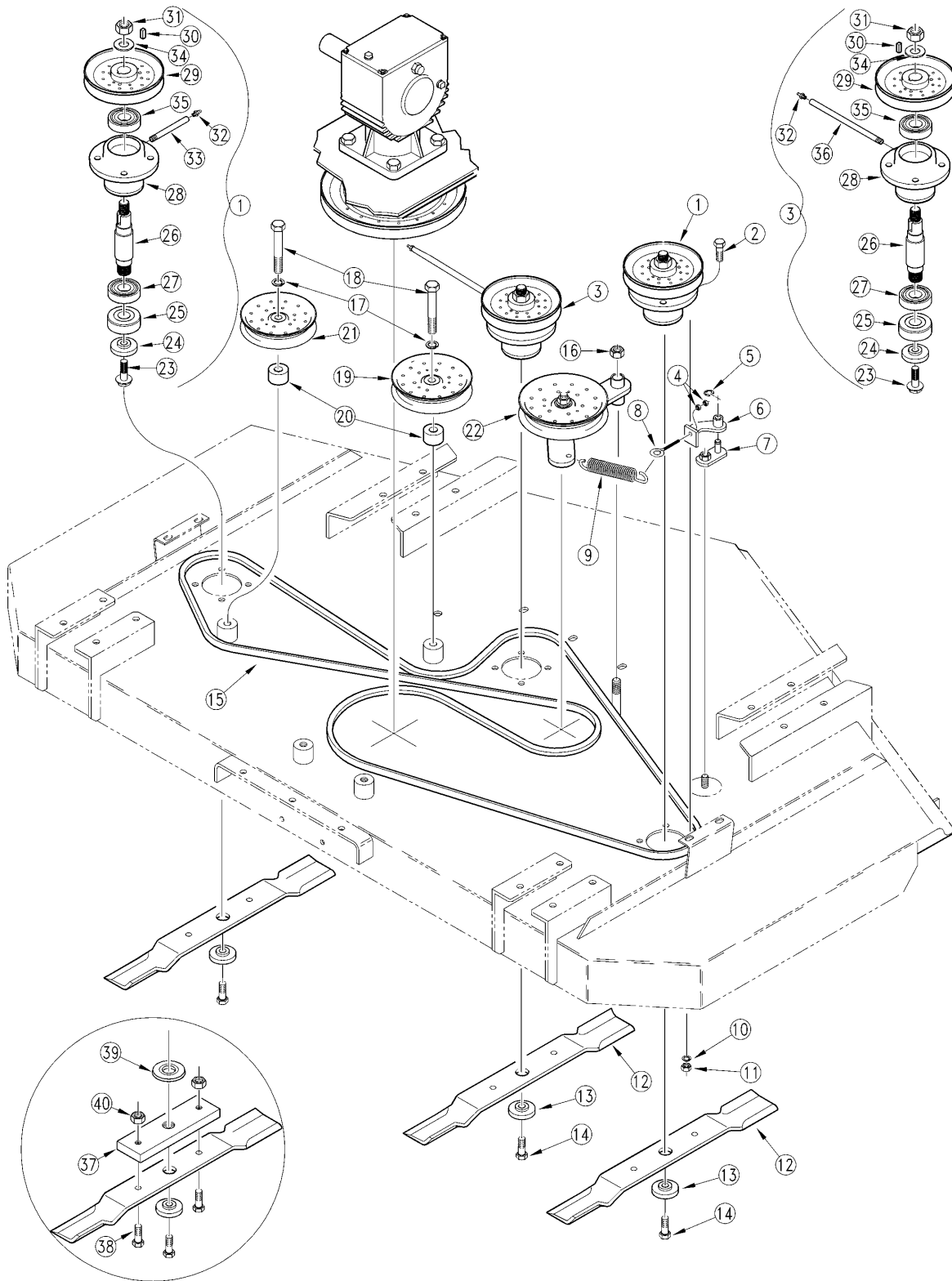
16542

Belt Drive Left Hand Deck (212181+)**Applies to AFM4016 and AFM40200 (S/N 147000+)**

| Ref | Part No. | Part Description | Comments | Revision |
|-----|----------|--------------------------------|--|------------------------------|
| | dwg16542 | Drawing Image Number | | |
| 1. | 315-380S | CW SPIN. ASSY 6" COM. UNIT | Includes items 24 through 32 | |
| 2. | 802-229C | HHCS 7/16-20X1 1/2 GR8 | | |
| 3. | 803-014C | NUT HEX 3/8-16 PLT | | |
| 4. | 800-099C | SNAP RING EXT 7/16 | | |
| 5. | 310-095H | SPRING EYE-BOLT BRACKET | | |
| 6. | 310-094H | OVER-CENTER LATCH-90 | | |
| 7. | 802-567C | SP EYE 3/8-16X 3 7/8 | | |
| 8. | 807-068C | SPRING EXT BELT HANDLE | | |
| 9. | 804-014C | WASHER LOCK 7/16 PLT | | |
| 10. | 803-115C | NUT HEX 7/16-20 PLT | | |
| 11. | 890-200C | MWR BLD 5/16 X 25SD LL CW | Standard Low Lift Blades 3 per Deck | |
| 11. | 890-172C | MWR BLD 1/4 X 25SD HL CW | Optional High Lift Blades 3 per Deck | |
| 11. | 890-318C | MWR BLD 1/4 X 25SD ML CW | Optional Medium Lift Blades 3 per Deck | |
| 11. | 890-698C | MWR BLD MULCH 1/4X25SD CW | Optional Mulch Blades 3 per Deck | |
| 12. | 804-110C | WASHER BLADE 2ODX.56THKX.51ID | | |
| 13. | 802-384C | HFS 1/2-20X1 1/4 GR5 | | |
| 13. | 802-695C | HFS 1/2-20X2 GR8 | For counter bored shaft | |
| 14. | 816-141C | V-BELT B173 175.9 E.L. KEVLAR | | |
| 15. | 803-119C | NUT LOCK 5/8-18 NYLOK COLLAR P | | |
| 16. | 804-022C | WASHER LOCK SPRING 5/8 PLT | | |
| 17. | 802-281C | HHCS 5/8-11X2 3/4 GR5 | | |
| 18. | 808-129C | FLAT IDLER PULLEY (6 3/4 O.D.) | | |
| 19. | 315-563D | IDLER PULLEY SPACER-SHORT | | |
| 20. | 808-128C | B-GROOVE IDLER PULLEY 6.25 OD | | |
| 21. | 315-075S | AFM BELT TAKE UP HANDLE | | |
| 22. | 800-130C | GREASE ZERK STRAIGHT 1/8-27NPT | (S/N 239258+) | Rev. 2 not compat. w/Rev. 1. |
| 22. | 800-193C | GREASE ZERK 1/8NPT 45-DEG | (S/N 239257-) | Rev. 1 |
| 23. | 990-109R | TUBE NYLON 1/4OD X 062WL | Order Per Foot as Required | |
| 24. | 800-372C | FTG TUBE, PUSH CONNECT 1/8NPT | S/N _____ + | |
| 24. | 800-157C | FTG TUBE,CONNECTOR 1/8 MNPT | S/N _____ - | |
| 25. | 803-114C | NUT LOCK 3/4-16 NYLOC COLLAR | | |
| 26. | 172-242D | 1/4 SQ. KEY X 7/8 LG | | |
| 27. | 804-093C | WASHER FLAT 3/4 HARD ASTM436 | | |
| 28. | 808-127C | B-GROOVE DRIVE PULLEY 6 O.D. | | |
| 29. | 822-161C | BEARING 6206 W/ METAL SHIELD | | |
| 30. | 310-224D | BLADE HUB - MACH | | |
| 31. | 310-361D | REP BY 310-348S | | |
| 32. | 822-006C | BEARING 206 | | |
| 33. | 315-752D | 4016 R.H. BLADE BAR | | |
| 34. | 802-329C | HHCS 1/2-20X1 3/4 GR5 | | Rev. 2 not compat. w/Rev. 1. |
| 34. | 802-240C | HHCS 1/2-20X1 GR5 | | Rev. 1 |
| 35. | 310-227D | BLADE WASHER-90 | | |
| 36. | 803-308C | NUT HEX FLG. LOCK 1/2-20 PLT. | (S/N 319784+) | Rev. 2 |
| 36. | 803-018C | NUT HEX 1/2-20 PLT | (S/N 319783-) | Rev 1; Use up stock |
| 37. | 890-266C | HALF-CLIP 5/16 DIA. HOSE | (S/N 239258+) | |
| 38. | 801-032C | SCREW HEX SELF-TAP 1/4-20X 1/2 | (S/N 239258+) | |

Belt Drive Left Hand Deck (S/N 212180-)

Applies to AFM4016 and AFM40200 (S/N 147000+)



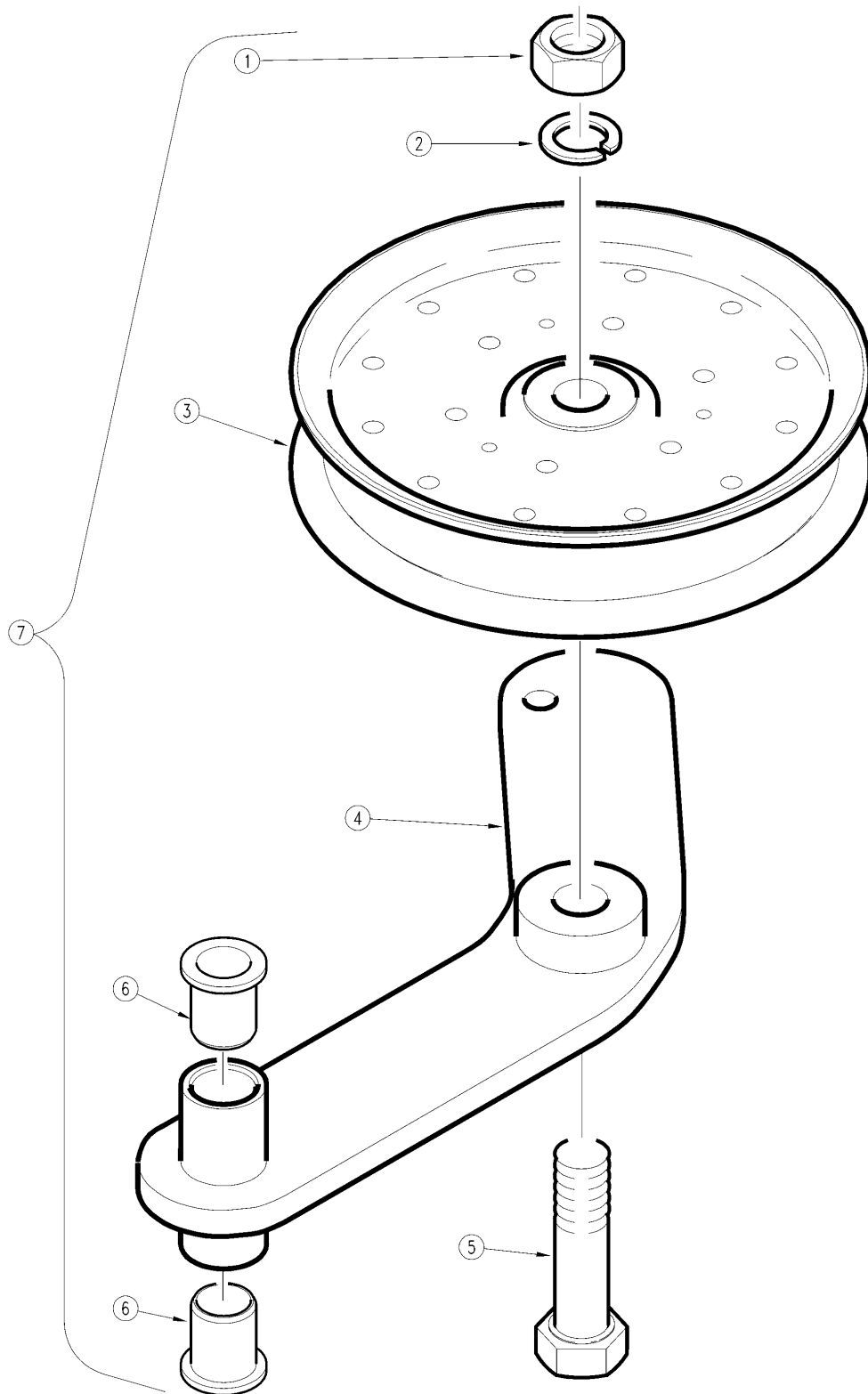
13554

Belt Drive Left Hand Deck (S/N 212180-)**Applies to AFM4016 and AFM40200 (S/N 147000+)**

| Ref | Part No. | Part Description | Comments | Revision |
|------------|-----------------|--------------------------------|--|------------------------------|
| | dwg13554 | Drawing Image Number | | |
| 1. | 310-161S | CW SPDLE HUB ASSY 6"PULL 3"TB | Includes items 23 through 35 | |
| 2. | 802-229C | HHCS 7/16-20X1 1/2 GR8 | | |
| 3. | 310-177S | CW SPDLE HUB ASSY 6"PULL 9.8TB | Includes items 23 through 32, 34, 35 & 36 | |
| 4. | 803-014C | NUT HEX 3/8-16 PLT | (S/N 174815+) | Rev. 2 |
| 4. | 803-006C | NUT HEX 1/4-20 PLT | (S/N 174814-) | Rev 1; Use up stock |
| 5. | 800-099C | SNAP RING EXT 7/16 | | |
| 6. | 310-095H | SPRING EYE-BOLT BRACKET | | |
| 7. | 310-094H | OVER-CENTER LATCH-90 | | |
| 8. | 802-443C | SP EYE 1/4-20X4 1/4-4 1/2 | (S/N 174815+) | Rev. 2 not compat. w/Rev. 1. |
| 8. | 802-233C | SP EYE 1/4-20X2 3/4 | (S/N 174814-) | Rev. 2 |
| 9. | 807-068C | SPRING EXT BELT HANDLE | | |
| 10. | 804-014C | WASHER LOCK 7/16 PLT | | |
| 11. | 803-115C | NUT HEX 7/16-20 PLT | | |
| 12. | 890-200C | MWR BLD 5/16 X 25SD LL CW | Standard Low Lift Blades 3 per Deck | |
| 12. | 890-172C | MWR BLD 1/4 X 25SD HL CW | Optional High Lift Blades 3 per Deck | |
| 12. | 890-318C | MWR BLD 1/4 X 25SD ML CW | Optional Medium Lift Blades 3 per Deck | |
| 12. | 890-698C | MWR BLD MULCH 1/4X25SD CW | Optional Mulch Blades 3 per Deck | |
| 13. | 804-110C | WASHER BLADE 2ODX.56THKX.51ID | | |
| 14. | 802-384C | HFS 1/2-20X1 1/4 GR5 | | |
| 14. | 802-695C | HFS 1/2-20X2 GR8 | For counter bored shaft | |
| 15. | 816-141C | V-BELT B173 175.9 E.L. KEVLAR | | |
| 16. | 803-119C | NUT LOCK 5/8-18 NYLOK COLLAR P | | |
| 17. | 804-022C | WASHER LOCK SPRING 5/8 PLT | | |
| 18. | 802-281C | HHCS 5/8-11X2 3/4 GR5 | | |
| 19. | 808-129C | FLAT IDLER PULLEY 6 O.D. | | |
| 20. | 315-563D | IDLER PULLEY SPACER-SHORT | | |
| 21. | 808-128C | B-GROOVE IDLER PULLEY 6.25 OD | | |
| 22. | 315-075S | AFM BELT TAKE UP HANDLE | | |
| 23. | 802-384C | HFS 1/2-20X1 1/4 GR5 | | |
| 23. | 802-695C | HFS 1/2-20X2 GR8 | For counter bored shaft | |
| 24. | 804-110C | WASHER BLADE 2ODX.56THKX.51ID | | |
| 25. | 310-300D | BLADE HUB | | |
| 26. | 310-361D | REP BY 310-348S | | |
| 27. | 822-006C | BEARING 206 | | |
| 28. | 310-224D | BLADE HUB- MACH.-90 | | |
| 29. | 808-127C | B-GROOVE DRIVE PULLEY 6 O.D. | | |
| 30. | 172-242D | 1/4 SQ. KEY X 7/8 LG | | |
| 31. | 803-114C | NUT LOCK 3/4-16 NYLOC COLLAR | | |
| 32. | 800-075C | ZERK 5/16-24 STRAIGHT #1711B | | |
| 33. | 310-312D | LUBE FITTING 3" EXTENSION | | |
| 34. | 804-093C | WASHER FLAT 3/4 HARD ASTMF436 | | Rev. 2 not compat. w/Rev. 1. |
| 34. | 804-025C | WASHER FLAT 3/4 SAE PLT | | Rev. 1 |
| 35. | 822-161C | BEARING 6206 W/ METAL SHIELD | | Rev. 2 not compat. w/Rev. 1. |
| 35. | 822-006C | BEARING 206 | | Rev. 1 |
| 36. | 310-176D | 72 CENTER GREASE TUBE | | |
| 37. | 315-752D | 4016 R.H. BLADE BAR | Was changed from tapped holes to drilled holes S/N 206938+ | |
| 38. | 802-329C | HHCS 1/2-20X1 3/4 GR5 | (S/N 206938+) | Rev. 2 not compat. w/Rev. 1. |
| 38. | 802-240C | HHCS 1/2-20X1 GR5 | (S/N 206938-) | Rev. 1 |
| 39. | 310-227D | BLADE WASHER-90 | | |
| 40. | 803-018C | NUT HEX 1/2-20 PLT | (S/N 206938+) | |

Belt Take-Up Handle

Applies to AFM4016 and AFM40200 (S/N 147000+)



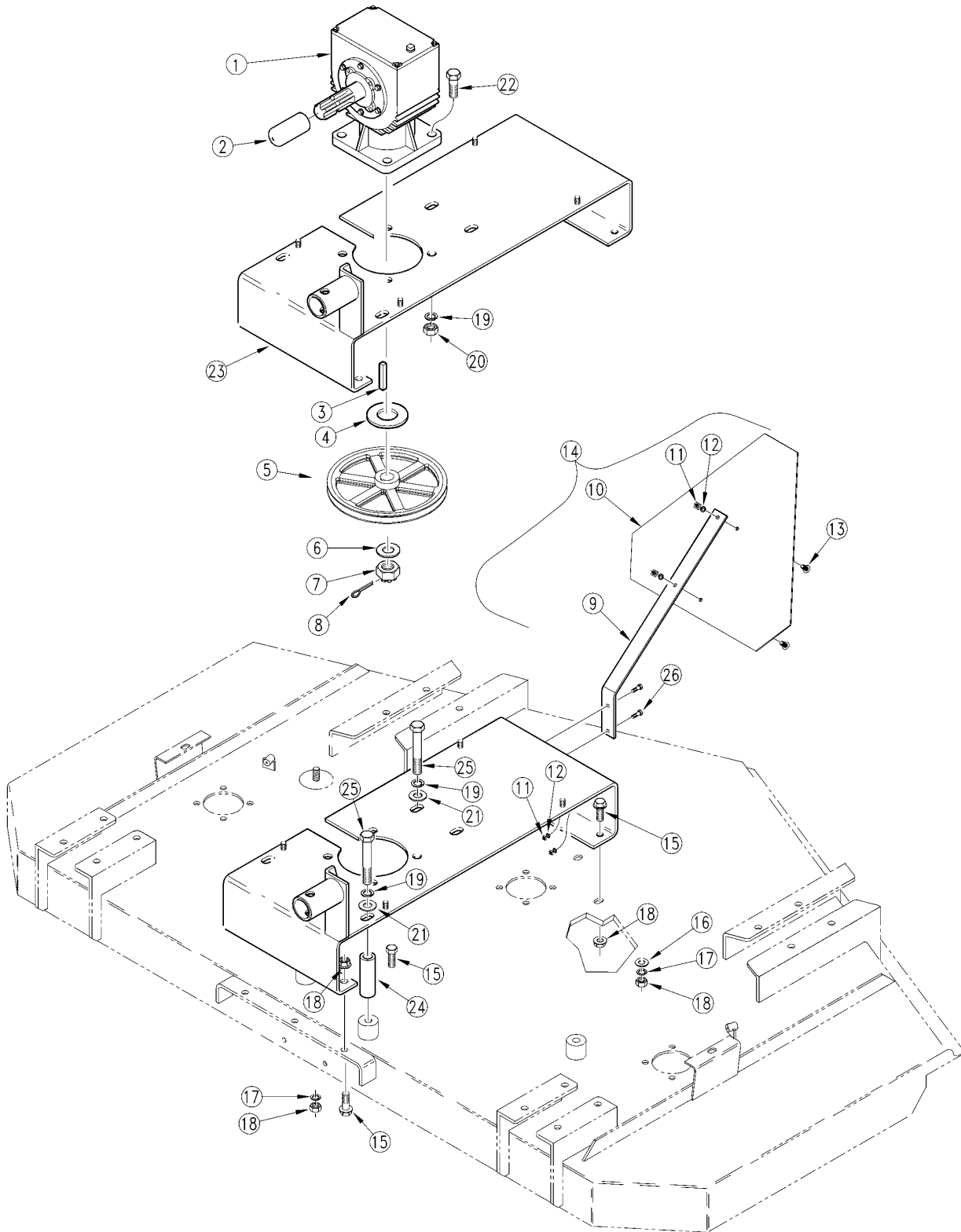
11748

Belt Take-Up Handle**Applies to AFM4016 and AFM40200 (S/N 147000+)**

| Ref | Part No. | Part Description | Comments | Revision |
|------------|-----------------|--|-------------------------------------|-----------------|
| | dwg11748 | Drawing Image Number | | |
| 1. | 803-022C | NUT HEX 5/8-18 PLT | | |
| 2. | 804-022C | WASHER LOCK SPRING 5/8 PLT | | |
| 3. | 808-129C | FLAT IDLER PULLEY 6" PULLEY (6 3/4 O.D.) | | |
| 4. | 315-103H | CW BELT TAKE-UP HANDLE | | |
| 4. | 315-199H | CCW BELT TAKE-UP HANDLE | | |
| 5. | 802-239C | HHCS 5/8-18X2 1/2 GR5 | | |
| 6. | 817-028C | DOUBLE DISK ARM PIVOT BUSHINGS | | |
| 7. | 315-075S | AFM BELT TAKE UP HANDLE | Includes item 4; part no. 315-103H. | |
| 7. | 315-213S | CCW BELT TAKE-UP HANDLE | Includes item 4; part no. 315-199H. | |

Channel Center Deck

Applies to AFM4016 and AFM40200 (S/N 147000+)



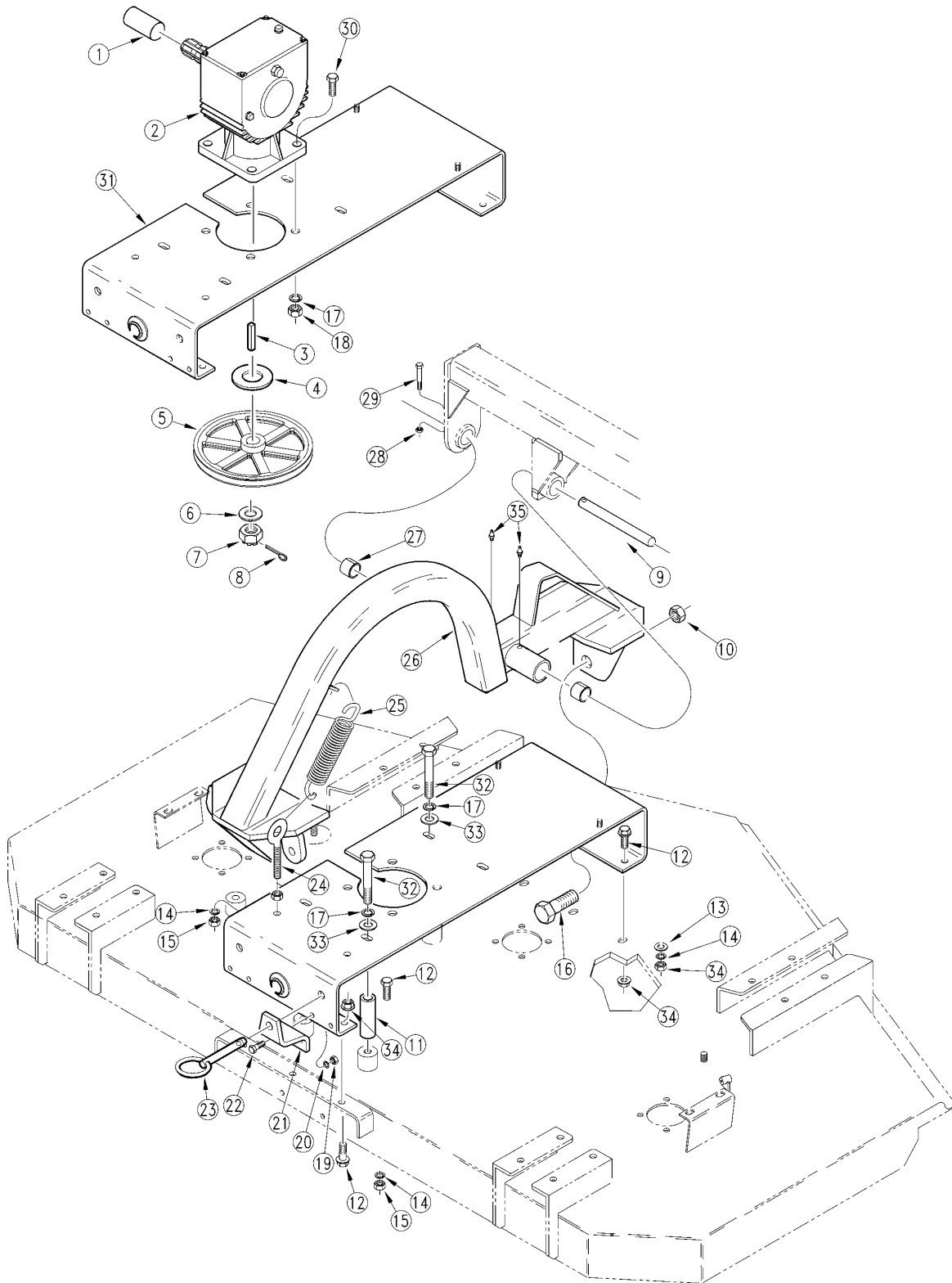
16544

Channel Center Deck**Applies to AFM4016 and AFM40200 (S/N 147000+)**

| Ref | Part No. | Part Description | Comments | Revision |
|-----|-------------|-----------------------------------|---------------------------------|------------------------------|
| | dwg16544 | Drawing Image Number | | |
| 1. | 826-327C | GBOX MOWER 50 HP 1:2.8 CCW | (S/N 368118+) | Rev. 4 |
| 1. | 826-327C81 | GBOX MOWER 50 HP 1:2.8 CCW GREEN | | |
| 1. | 826-327C82 | GBOX MOWER 50 HP 1:2.8 CCW ORANGE | | |
| 1. | 826-327C83 | GBOX MOWER 50 HP 1:2.8 CCW RED | | |
| 1. | 826-327C84 | GBOX MOWER 50 HP 1:2.8 CCW BLUE | | |
| 1. | 826-295C | RPBY 826-327C | (S/N 211887 to 368117) | Rev. 3 |
| 1. | 826-205C | REP BY 826-295C | (S/N 211887 to 368117) | Rev. 2 |
| 1. | 826-122C | RPBY 826-205C | (S/N 211886-) | Rev. 1 |
| 2. | 817-050C | GEARBOX SHAFT PROTECTOR | | |
| 3. | 310-331D | KEY 1/4" X 11/16" LONG | | |
| 4. | 310-041D | GEAR BOX SPACER | (S/N 211744-) | |
| 5. | 808-335C | B-GROOVE PULLEY 11" CAST-IRON | (S/N 355464+) | Rev. 2 |
| 5. | 808-126C | B-GROOVE DRIVE PULLEY 11 O.D. | (S/N 355464-) | Rev 1; Use up stock |
| 6. | 804-029C | WASHER FLAT 1 SAE PLT | | |
| 7. | 11-007 | ITG 1"-14 SLOTTED HEX NUT | | |
| 7. | 8.2.2.01144 | NUT M 24 X 2 | | |
| 8. | 805-017C | PIN COTTER 3/16 X 1 3/4 PLT | | |
| 9. | 807-176C | SMV MOUNT BAR SPRING STEEL | | Rev. 2 |
| 9. | 315-478D | SMV MOUNT BAR | | Rev 1; Use up stock |
| 10. | 818-055C | DECAL SLOW MOVING-GALV. BACKED | | |
| 11. | 803-293C | NUT HEX FLANGE LOCK 1/4-20 PLT | | Rev. 2 |
| 11. | 803-005C | NUT SQ 1/4-20 PLT | | Rev 1; Use up stock |
| 12. | 804-006C | WASHER LOCK SPRING 1/4 PLT | Not required with lock nut | |
| 13. | 801-018C | SCREW RD HD 1/4-20 X 5/8 | | |
| 14. | 315-037V | SMV PACKAGE | Includes of items 10 through 14 | |
| 15. | 802-203C | HFSS 1/2-13X1 1/2 GR5 | (S/N 286810+) | Rev. 2 not compat. w/Rev. 1. |
| 15. | 802-091C | HHCS 1/2-13X1 1/2 GR5 | (S/N 286809-) | Rev. 1 |
| 16. | 804-016C | WASHER FLAT 1/2 SAE PLT | (S/N 286809-) | |
| 17. | 804-015C | WASHER LOCK SPRING 1/2 PLT | (S/N 286809-) | |
| 18. | 803-037C | NUT HEX WHIZ 1/2-13 PLT | (S/N 286810+) | Rev. 2 not compat. w/Rev. 1. |
| 18. | 803-020C | NUT HEX 1/2-13 PLT | (S/N 286809-) | Rev. 1 |
| 19. | 804-022C | WASHER LOCK SPRING 5/8 PLT | | |
| 20. | 803-022C | NUT HEX 5/8-18 PLT | | |
| 21. | 804-021C | WASHER FLAT 5/8 SAE PLT | | |
| 22. | 802-246C | HHCS 5/8-18X1 3/4 GR5 | | |
| 23. | 315-287H | 200 CEN. GEAR BOX CHANNEL | (S/N 176350+) | Rev. 2 not compat. w/Rev. 1. |
| 23. | 315-287H81 | 200 CEN. GEAR BOX CHANNEL GREEN | | |
| 23. | 315-287H82 | 200 CEN. GEAR BOX CHANNEL ORANGE | | |
| 23. | 315-287H83 | 200 CEN. GEAR BOX CHANNEL RED | | |
| 23. | 315-287H84 | 200 CEN. GEAR BOX CHANNEL BLUE | | |
| 23. | 315-191H | CENTER GEAR BOX CHANNEL | (S/N 176349-) | Rev. 1 |
| 24. | 315-562D | GEAR BOX CHANNEL SPACER | | |
| 25. | 802-100C | HHCS 5/8-11X4 1/2 GR5 | | |
| 26. | 802-005C | HHCS 1/4-20X1 GR5 | | |

Channel Left Deck

Applies to AFM4016 and AFM40200 (S/N 147000+)



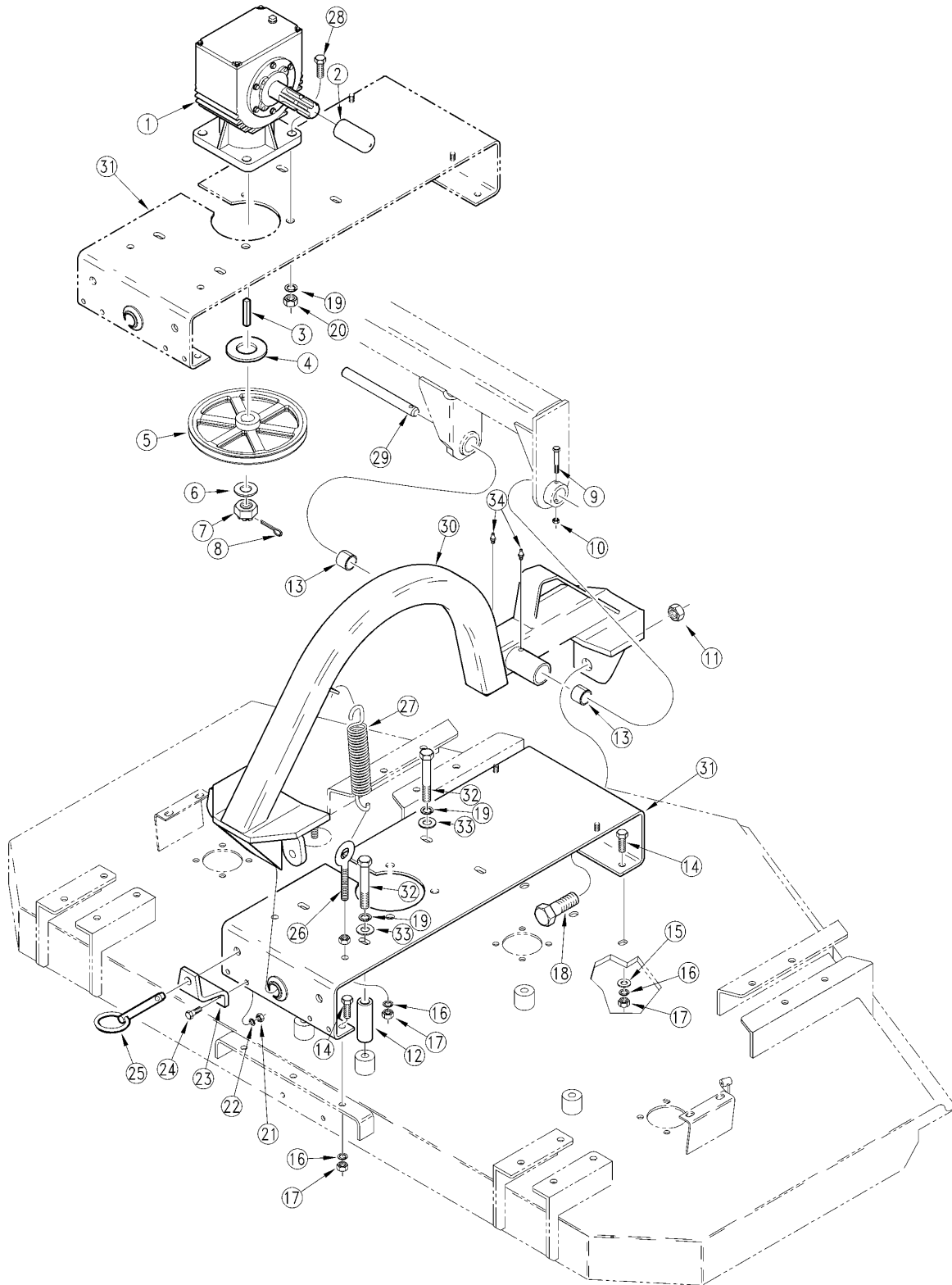
16545

Channel Left Deck**Applies to AFM4016 and AFM40200 (S/N 147000+)**

| Ref | Part No. | Part Description | Comments | Revision |
|-----|-------------|----------------------------------|------------------------|------------------------------|
| | dwg16545 | Drawing Image Number | | |
| 1. | 817-050C | GEARBOX SHAFT PROTECTOR | | |
| 2. | 826-326C | GBOX MOWER 50 HP 1:2.8 CW | (S/N 368118) | Rev. 4 |
| 2. | 826-326C81 | GBOX MOWER 50 HP 1:2.8 CW GREEN | | |
| 2. | 826-326C82 | GBOX MOWER 50 HP 1:2.8 CW ORANGE | | |
| 2. | 826-326C83 | GBOX MOWER 50 HP 1:2.8 CW RED | | |
| 2. | 826-326C84 | GBOX MOWER 50 HP 1:2.8 CW BLUE | | |
| 2. | 826-296C | REP BY 826-326C | (S/N 211887 to 368117) | Rev. 3 |
| 2. | 826-206C | REP BY 826-296C | (S/N 211887 to 368117) | Rev. 2 |
| 2. | 826-121C | RPBY 826-206C | (S/N 211886-) | Rev. 1 |
| 3. | 310-331D | KEY 1/4" X 11/16" LONG | | |
| 4. | 310-041D | GEAR BOX SPACER | (S/N 211744-) | |
| 5. | 808-335C | B-GROOVE PULLEY 11" CAST-IRON | (S/N 355464+) | Rev. 2 |
| 5. | 808-126C | B-GROOVE DRIVE PULLEY 11 O.D. | (S/N 355464-) | Rev 1; Use up stock |
| 6. | 804-029C | WASHER FLAT 1 SAE PLT | | |
| 7. | 11-007 | ITG 1"-14 SLOTTED HEX NUT | | |
| 7. | 8.2.2.01144 | NUT M 24 X 2 | | |
| 8. | 805-017C | PIN COTTER 3/16 X 1 3/4 PLT | | |
| 9. | 315-566D | 40200 FLEX ARM PIVOT PIN | | |
| 10. | 803-038C | NUT HEX 1-8 NYLON INSERT PLT | | |
| 11. | 315-562D | GEAR BOX CHANNEL SPACER | | |
| 12. | 802-203C | HFSS 1/2-13X1 1/2 GR5 | (S/N 286810+) | Rev. 2 not compat. w/Rev. 1. |
| 12. | 802-091C | HHCS 1/2-13X1 1/2 GR5 | (S/N 286809-) | Rev. 1 |
| 13. | 804-016C | WASHER FLAT 1/2 SAE PLT | (S/N 286809-) | |
| 14. | 804-015C | WASHER LOCK SPRING 1/2 PLT | | |
| 15. | 803-020C | NUT HEX 1/2-13 PLT | | |
| 16. | 802-345C | HHCS 1-8X3 GR8 | | |
| 17. | 804-022C | WASHER LOCK SPRING 5/8 PLT | | |
| 18. | 803-022C | NUT HEX 5/8-18 PLT | | |
| 19. | 803-014C | NUT HEX 3/8-16 PLT | | |
| 20. | 804-013C | WASHER LOCK SPRING 3/8 PLT | | |
| 21. | 308-049D | GW LINK MOUNT BRACKET | | |
| 22. | 802-079C | HHCS 3/8-16X1 1/4 GR5 | | |
| 23. | 805-175C | PIN DETENT 5/8 X 3 3/4 USE-LG | | |
| 24. | 802-408C | SP EYE 1/2-13X3 FTHD | | |
| 25. | 807-050C | SPRING EXT 1 13/32 X 6 EXT | | |
| 26. | 315-188H | WING FLEX ARM AFM40200 | | |
| 26. | 315-188H81 | WING FLEX ARM AFM40200 GREEN | | |
| 26. | 315-188H82 | WING FLEX ARM AFM40200 ORANGE | | |
| 26. | 315-188H83 | WING FLEX ARM AFM40200 RED | | |
| 26. | 315-188H84 | WING FLEX ARM AFM40200 BLUE | | |
| 27. | 890-122C | BUSHING 1 1/2 X 1 1/4 X 1 1/2 | | |
| 28. | 803-007C | NUT LOCK 1/4-20 PLT | | |
| 29. | 802-097C | HHCS 1/4-20X2 1/2 GR5 | | Rev. 2 |
| 29. | 802-152C | HHCS 1/4-20X2 GR5 | | Rev 1; Use up stock |
| 30. | 802-246C | HHCS 5/8-18X1 3/4 GR5 | | |
| 31. | 315-286H | 200 WING GEAR BOX CHANNEL | (S/N 176350+) | Rev. 2 not compat. w/Rev. 1. |
| 31. | 315-286H81 | 200 WING GEAR BOX CHANNEL GREEN | | |
| 31. | 315-286H82 | 200 WING GEAR BOX CHANNEL ORANGE | | |
| 31. | 315-286H83 | 200 WING GEAR BOX CHANNEL RED | | |
| 31. | 315-286H84 | 200 WING GEAR BOX CHANNEL BLUE | | |
| 31. | 315-190H | WING GEAR BOX CHANNEL AFM200 | (S/N 176349-) | Rev. 1 |
| 32. | 802-100C | HHCS 5/8-11X4 1/2 GR5 | | |
| 33. | 804-021C | WASHER FLAT 5/8 SAE PLT | | |
| 34. | 803-037C | NUT HEX WHIZ 1/2-13 PLT | (S/N 286810+) | Rev. 2 not compat. w/Rev. 1. |
| 34. | 803-020C | NUT HEX 1/2-13 PLT | (S/N 286809-) | Rev. 1 |
| 35. | 800-080C | GREASE ZERK 1/4-28 THD FORMING | | |

Channel Right Hand Deck

Applies to AFM4016 and AFM40200 (S/N 147000+)



16546

Channel Right Hand Deck**Applies to AFM4016 and AFM40200 (S/N 147000+)**

| Ref | Part No. | Part Description | Comments | Revision |
|-----|-------------|-----------------------------------|------------------------|------------------------------|
| | dwg16546 | Drawing Image Number | | |
| 1. | 826-327C | GBOX MOWER 50 HP 1:2.8 CCW | (S/N 368118) | Rev. 4 |
| 1. | 826-327C81 | GBOX MOWER 50 HP 1:2.8 CCW GREEN | | |
| 1. | 826-327C82 | GBOX MOWER 50 HP 1:2.8 CCW ORANGE | | |
| 1. | 826-327C83 | GBOX MOWER 50 HP 1:2.8 CCW RED | | |
| 1. | 826-327C84 | GBOX MOWER 50 HP 1:2.8 CCW BLUE | | |
| 1. | 826-295C | RPBY 826-327C | (S/N 211887 to 368117) | Rev. 3 |
| 1. | 826-205C | REP BY 826-295C | (S/N 211887 to 368117) | Rev. 2 |
| 1. | 826-122C | RPBY 826-205C | (S/N 211886-) | Rev. 1 |
| 2. | 817-050C | GEARBOX SHAFT PROTECTOR | | |
| 3. | 310-331D | KEY 1/4" X 11/16" LONG | | |
| 4. | 310-041D | GEAR BOX SPACER | (S/N 211744-) | |
| 5. | 808-335C | B-GROOVE PULLEY 11" CAST-IRON | (S/N 355464+) | Rev. 2 |
| 5. | 808-126C | B-GROOVE DRIVE PULLEY 11 O.D. | (S/N 355464-) | Rev 1; Use up stock |
| 6. | 804-029C | WASHER FLAT 1 SAE PLT | | |
| 7. | 11-007 | ITG 1"-14 SLOTTED HEX NUT | | |
| 7. | 8.2.2.01144 | NUT M 24 X 2 | | |
| 8. | 805-017C | PIN COTTER 3/16 X 1 3/4 PLT | | |
| 9. | 802-097C | HHCS 1/4-20X2 1/2 GR5 | | Rev. 2 |
| 9. | 802-152C | HHCS 1/4-20X2 GR5 | | Rev 1; Use up stock |
| 10. | 803-007C | NUT LOCK 1/4-20 PLT | | |
| 11. | 803-038C | NUT HEX 1-8 NYLON INSERT PLT | | |
| 12. | 315-562D | GEAR BOX CHANNEL SPACER | | |
| 13. | 890-122C | BUSHING 1 1/2 X 1 1/4 X 1 1/2 | | |
| 14. | 802-203C | HFSS 1/2-13X1 1/2 GR5 | (S/N 286810+) | Rev. 2 not compat. w/Rev. 1. |
| 14. | 802-091C | HHCS 1/2-13X1 1/2 GR5 | (S/N 286809-) | Rev. 1 |
| 15. | 804-016C | WASHER FLAT 1/2 SAE PLT | (S/N 286809-) | |
| 16. | 804-015C | WASHER LOCK SPRING 1/2 PLT | | |
| 17. | 803-020C | NUT HEX 1/2-13 PLT | | |
| 18. | 802-345C | HHCS 1-8X3 GR8 | | |
| 19. | 804-022C | WASHER LOCK SPRING 5/8 PLT | | |
| 20. | 803-022C | NUT HEX 5/8-18 PLT | | |
| 21. | 803-014C | NUT HEX 3/8-16 PLT | | |
| 22. | 804-013C | WASHER LOCK SPRING 3/8 PLT | | |
| 23. | 308-049D | GW LINK MOUNT BRACKET | | |
| 23. | 308-049D81 | GW LINK MOUNT BRACKET GREEN | | |
| 23. | 308-049D82 | GW LINK MOUNT BRACKET ORANGE | | |
| 23. | 308-049D83 | GW LINK MOUNT BRACKET RED | | |
| 23. | 308-049D84 | GW LINK MOUNT BRACKET BLUE | | |
| 24. | 802-079C | HHCS 3/8-16X1 1/4 GR5 | | |
| 25. | 805-175C | PIN DETENT 5/8 X 3 3/4 USE-LG | | |
| 26. | 802-408C | SP EYE 1/2-13X3 FTGD | | |
| 27. | 807-050C | SPRING EXT 1 13/32 X 6 EXT | | |
| 28. | 802-246C | HHCS 5/8-18X1 3/4 GR5 | | |
| 29. | 315-566D | 40200 FLEX ARM PIVOT PIN | | |
| 30. | 315-188H | WING FLEX ARM AFM40200 | | |
| 30. | 315-188H81 | WING FLEX ARM AFM40200 GREEN | | |
| 30. | 315-188H82 | WING FLEX ARM AFM40200 ORANGE | | |
| 30. | 315-188H83 | WING FLEX ARM AFM40200 RED | | |
| 30. | 315-188H84 | WING FLEX ARM AFM40200 BLUE | | |
| 31. | 315-286H | 200 WING GEAR BOX CHANNEL | (S/N 176350+) | Rev. 2 not compat. w/Rev. 1. |
| 31. | 315-286H81 | 200 WING GEAR BOX CHANNEL GREEN | | |
| 31. | 315-286H82 | 200 WING GEAR BOX CHANNEL ORANGE | | |
| 31. | 315-286H83 | 200 WING GEAR BOX CHANNEL RED | | |
| 31. | 315-286H84 | 200 WING GEAR BOX CHANNEL BLUE | | |
| 31. | 315-190H | WING GEAR BOX CHANNEL AFM200 | (S/N 176349-) | Rev. 1 |
| 32. | 802-100C | HHCS 5/8-11X4 1/2 GR5 | | |
| 33. | 804-021C | WASHER FLAT 5/8 SAE PLT | | |

Channel Right Hand Deck (continued)

Applies to AFM4016 and AFM40200 (S/N 147000+)

| Ref | Part No. | Part Description | Comments | Revision |
|------------|-----------------|--------------------------------|-----------------|-----------------|
| 34. | 800-080C | GREASE ZERK 1/4-28 THD FORMING | | |

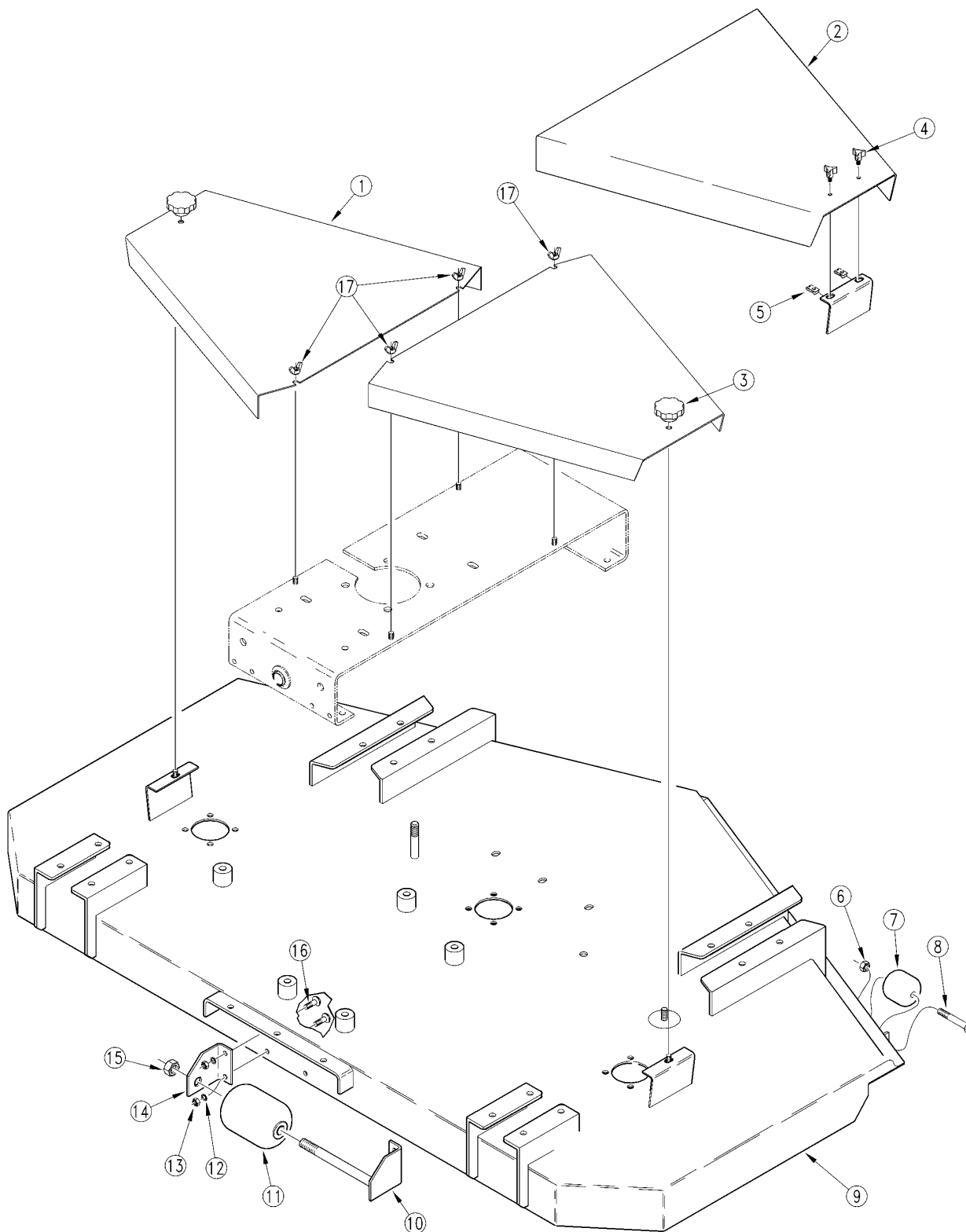
Channel Right Hand Deck (continued)

Applies to AFM4016 and AFM40200 (S/N 147000+)

This Page Intentionally Left Blank

Deck and Roller

Applies to AFM4016 and AFM40200 (S/N 147000+)



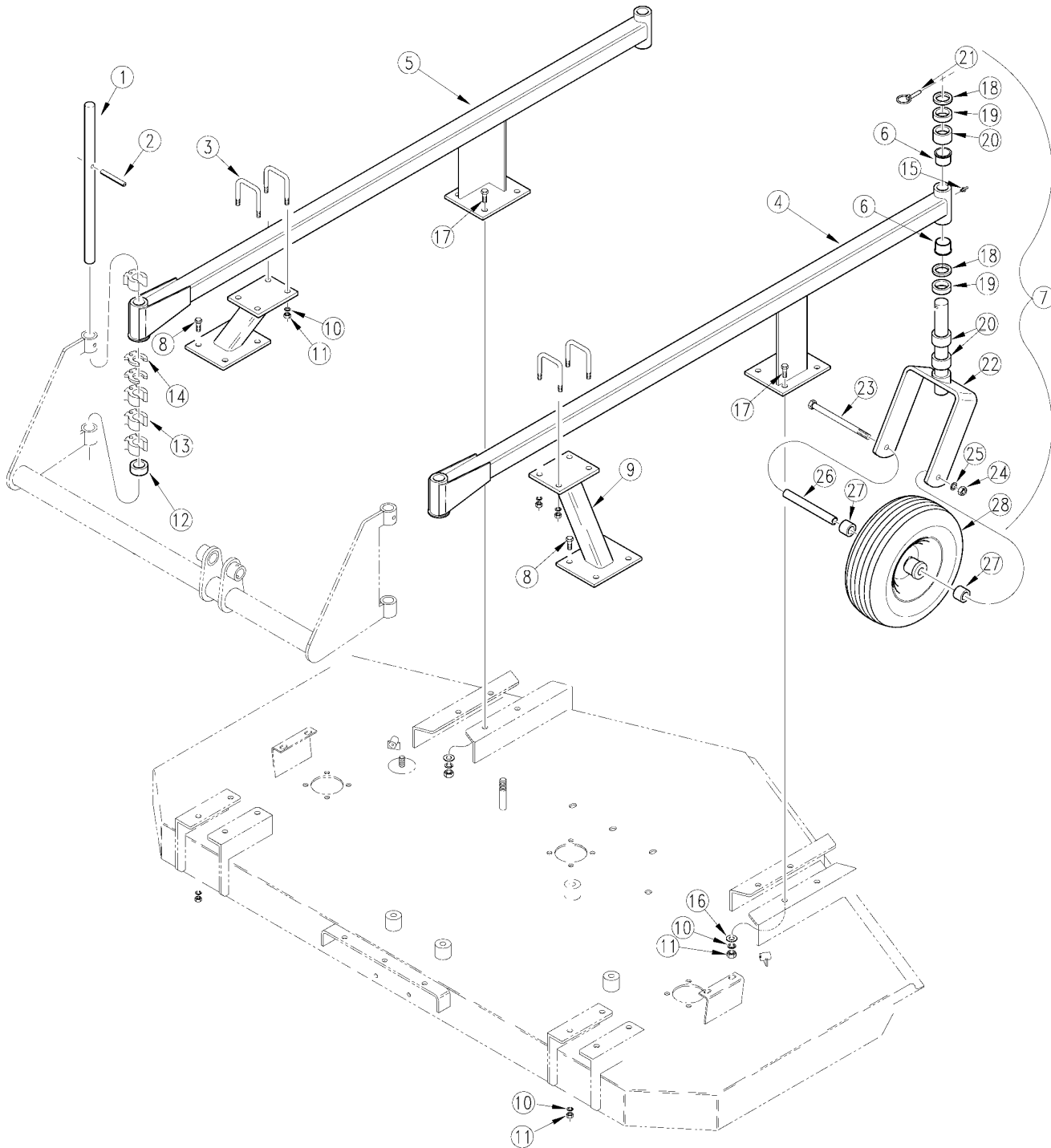
13559

Deck and Roller**Applies to AFM4016 and AFM40200 (S/N 147000+)**

| Ref | Part No. | Part Description | Comments | Revision |
|-----|------------|--------------------------------|-----------------------|------------------------------|
| | dwg13559 | Drawing Image Number | | |
| 1. | 315-629D | 40200 BELT GUARD | (S/N 176350+) | Rev. 2 not compat. w/Rev. 1. |
| 2. | 315-233D | DECK BELT GUARD | (S/N 147000<->176349) | Rev. 1 |
| 3. | 817-259C | KNOB 3/8-16 FEMALE THD 2 3/8OD | (S/N 176350+) | Rev. 2 not compat. w/Rev. 1. |
| 4. | 817-192C | KNOB 3 PRONG 1/4-20 X 1/2 LG | (S/N 147000<->176349) | Rev. 1 |
| 5. | 800-163C | CLIP U-TYPE NUT 1/4-20 SLF-RET | (S/N 176349-) | |
| 6. | 803-019C | NUT LOCK 1/2-13 PLT | | |
| 7. | 817-195C | ROLLER ANTI-SCALP 2 OD | | |
| 8. | 802-041C | HHCS 1/2-13X3 1/2 GR5 | | |
| 9. | 315-289H | 200 CEN. R.H. DECK WELD | (S/N 176350+) | Rev. 2 not compat. w/Rev. 1. |
| 9. | 315-289H81 | 200 CEN. R.H. DECK WELD GREEN | | |
| 9. | 315-289H82 | 200 CEN. R.H. DECK WELD ORANGE | | |
| 9. | 315-289H83 | 200 CEN. R.H. DECK WELD RED | | |
| 9. | 315-289H84 | 200 CEN. R.H. DECK WELD BLUE | | |
| 9. | 315-208H | AFM40200 CEN-R.H. DECK WELD | (S/N 147000<->176349) | Rev. 1 |
| 9. | 315-290H | 200 L.H. DECK WELD | (SN 176350+) | Rev. 2 not compat. w/Rev. 1. |
| 9. | 315-290H81 | 200 L.H. DECK WELD GREEN | | |
| 9. | 315-290H82 | 200 L.H. DECK WELD ORANGE | | |
| 9. | 315-290H83 | 200 L.H. DECK WELD RED | | |
| 9. | 315-290H84 | 200 L.H. DECK WELD BLUE | | |
| 9. | 315-210H | AFM40200 L.H. DECK WELD | (S/N 147000<->176349) | Rev. 1 |
| 10. | 315-133H | FRONT ROLLER BRKT L.H. | (S/N 176001+) | Rev. 2 |
| 10. | 310-319H | LOW LH FRONT ROLLER WELDMENT | (S/N 176000-) | Rev 1; Use up stock |
| 11. | 817-082C | 4 X 5 1/2 FRONT ROLLER | | |
| 12. | 804-013C | WASHER LOCK SPRING 3/8 PLT | | |
| 13. | 803-014C | NUT HEX 3/8-16 PLT | | |
| 14. | 315-409D | FRONT ROLLER MOUNT-R.H. | (S/N 176001+) | Rev. 2 |
| 14. | 310-533D | LOW FRONT ROLLER RH BRACKET | (S/N 176000-) | Rev 1; Use up stock |
| 15. | 803-114C | NUT LOCK 3/4-16 NYLOC COLLAR | | |
| 16. | 802-017C | HHCS 3/8-16X1 GR5 | | |
| 17. | 803-231C | NUT WING 3/8-16 PLT | | |

Gauge Wheel Center Deck (S/N 231294-)

Applies to AFM4016 and AFM40200 (S/N 147000+)



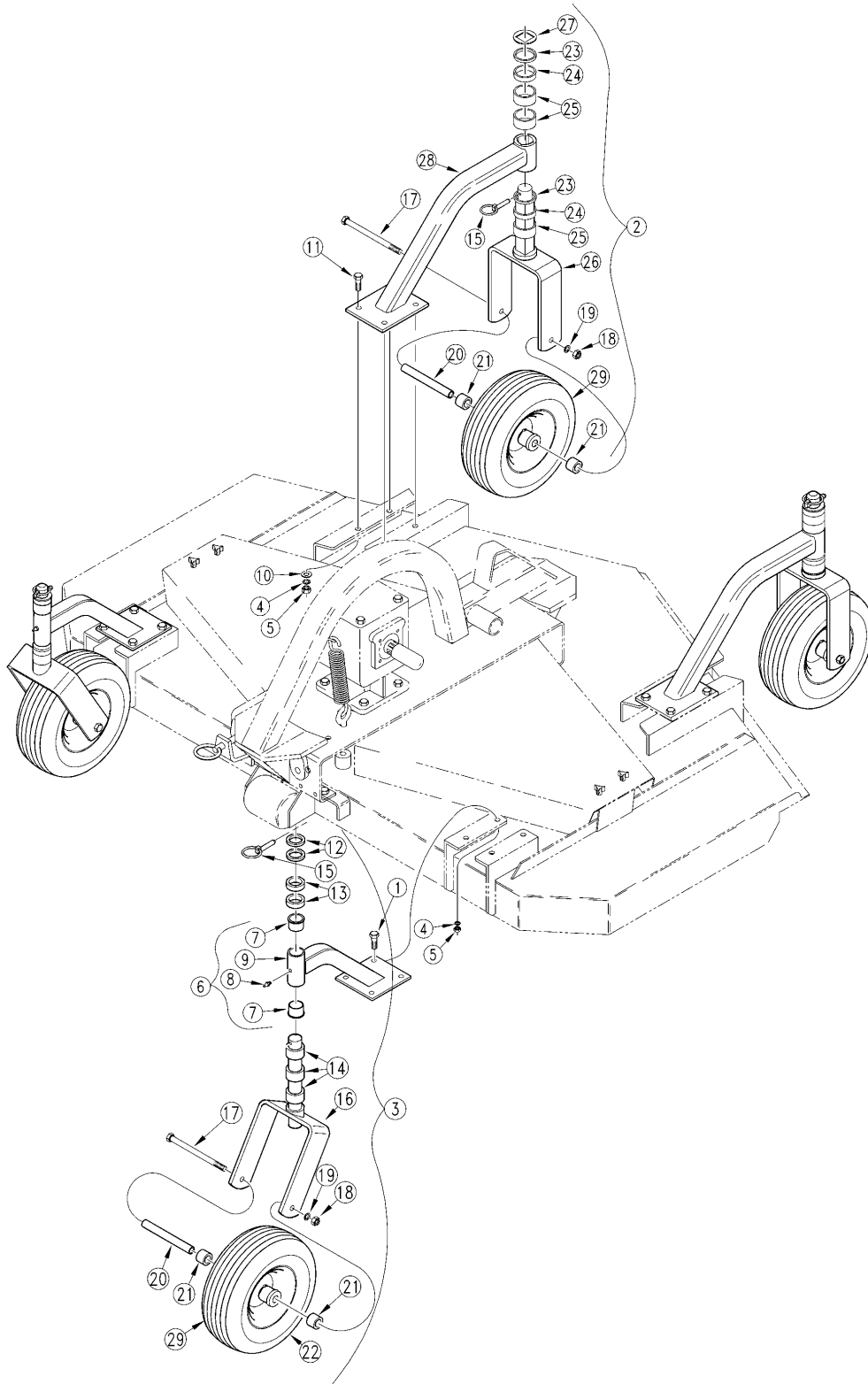
13560

Gauge Wheel Center Deck (S/N 231294-)**Applies to AFM4016 and AFM40200 (S/N 147000+)**

| Ref | Part No. | Part Description | Comments | Revision |
|-----|----------|--------------------------------|------------------------------|----------|
| | dwg13560 | Drawing Image Number | | |
| 1. | 315-484D | CEN DECK CARRIER ROD | | |
| 2. | 805-161C | PIN ROLL 3/8 X 1 3/4 LG PLT | | |
| 3. | 806-023C | U-BOLT 1/2-13 X 2 1/32 X 3 1/4 | | |
| 4. | 315-193H | REAR DECK CARRIER LH AFM40200 | | |
| 5. | 315-192H | REAR DECK CARRIER RH AFM40200 | | |
| 6. | 890-202C | GAUGE WHEEL SFT PIVOT BUSHING | | |
| 7. | 310-100S | 90" G W YOKE SUB ASSY | Includes items 18 through 28 | |
| 8. | 802-091C | HHCS 1/2-13X1 1/2 GR5 | | |
| 9. | 315-194H | STAND-OFF CEN. DECK CARRIER | | |
| 10. | 804-015C | WASHER LOCK SPRING 1/2 PLT | | |
| 11. | 803-020C | NUT HEX 1/2-13 PLT | | |
| 12. | 827-001C | SPACER 1/2" | | |
| 13. | 817-152C | GW SNAP ON SPACER - 1" THICK | | |
| 14. | 817-151C | GW SNAP ON SPACER - 1/4" THICK | | |
| 15. | 800-001C | GREASE ZERK STRAIGHT 1/4-28 | | |
| 16. | 804-016C | WASHER FLAT 1/2 SAE PLT | | |
| 17. | 802-091C | HHCS 1/2-13X1 1/2 GR5 | | |
| 18. | 310-359D | GW SPACER 1/4" | | |
| 19. | 310-252D | G.W. SPACER 1/2" | | |
| 20. | 310-251D | G.W. SPACER 1" | | |
| 21. | 805-126C | PIN LYNCH 1/4 X 1 3/4 PLT | | |
| 22. | 310-090H | 90 GAUGE WHEEL YOKE | | |
| 23. | 802-305C | HHCS 1/2-20X8 GR5 | | |
| 24. | 803-018C | NUT HEX 1/2-20 PLT | | |
| 25. | 804-015C | WASHER LOCK SPRING 1/2 PLT | | |
| 26. | 310-249D | RPBY 827-056C | | |
| 27. | 310-250D | SPACER TUBE-SH. G.W. | | |
| 28. | 814-070C | REP BY 814-114C | | |
| 28. | 814-193C | TIRE 13X5.00-6 (LITE FOAM) RIB | Optional foam filled tire | |

Gauge Wheel Left & Right Hand Deck (S/N 231294-)

Applies to AFM4016 and AFM40200 (S/N 147000+)



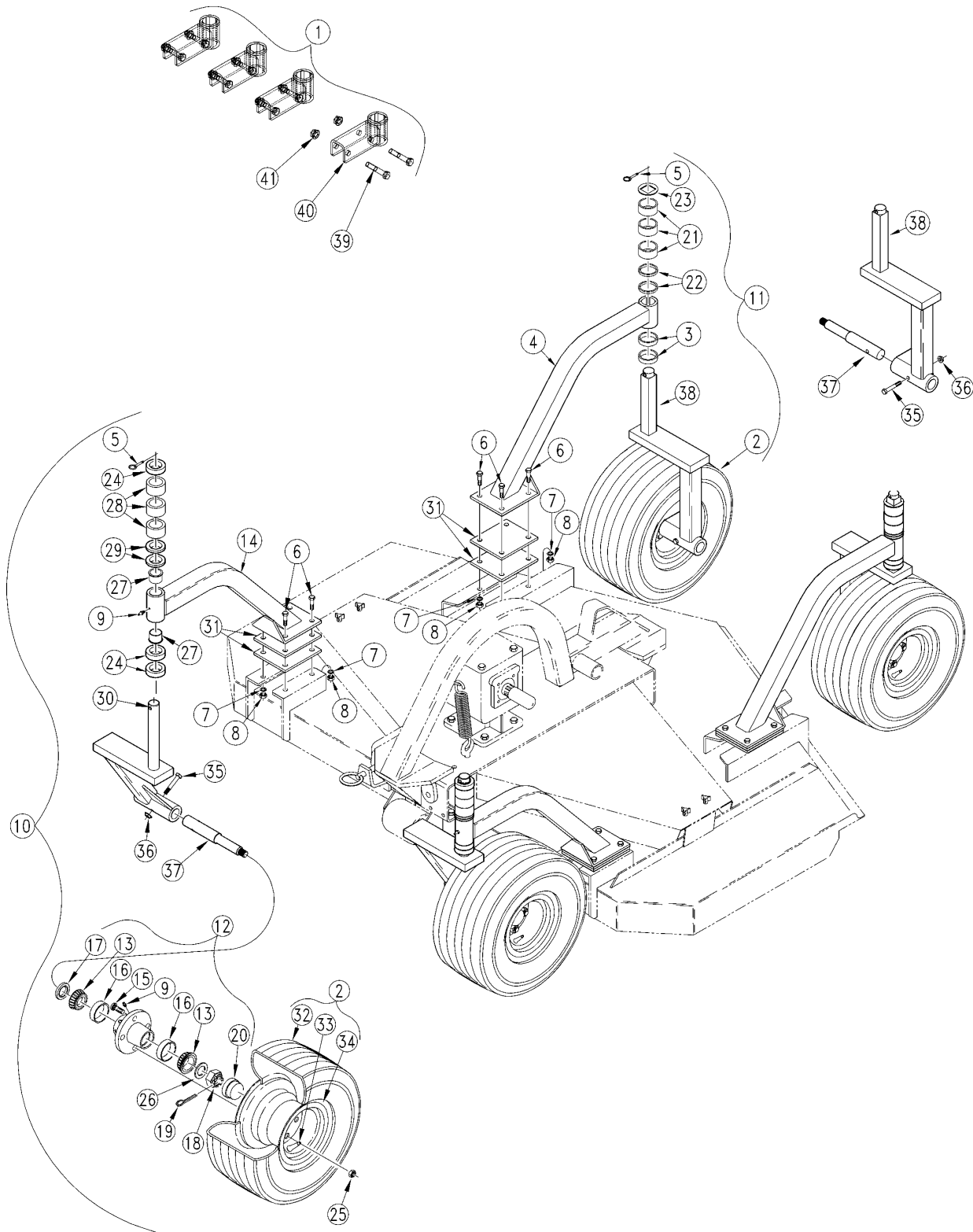
13561

Gauge Wheel Left & Right Hand Deck (S/N 231294-)**Applies to AFM4016 and AFM40200 (S/N 147000+)**

| Ref | Part No. | Part Description | Comments | Revision |
|-----|----------|--------------------------------|--|----------|
| | dwg13561 | Drawing Image Number | | |
| 1. | 802-091C | HHCS 1/2-13X1 1/2 GR5 | | |
| 2. | 315-219S | 40200 NON-CASTERED GW ASSY | Includes items 15, 17 through 21 & 23 through 28 | |
| 3. | 310-100S | 90" G W YOKE SUB ASSY | | |
| 4. | 804-015C | WASHER LOCK SPRING 1/2 PLT | | |
| 5. | 803-020C | NUT HEX 1/2-13 PLT | | |
| 6. | 315-218S | 40200 CASTERED GW ARM SUB | Includes 7, 8 & 9 | |
| 7. | 890-202C | GAUGE WHEEL SFT PIVOT BUSHING | | |
| 8. | 800-001C | GREASE ZERK STRAIGHT 1/4-28 | | |
| 9. | 315-196H | CASTERED GW ARM AFM40200 | | |
| 10. | 804-016C | WASHER FLAT 1/2 SAE PLT | | |
| 11. | 802-091C | HHCS 1/2-13X1 1/2 GR5 | | |
| 12. | 310-359D | GW SPACER 1/4" | | |
| 13. | 310-252D | G.W. SPACER 1/2" | | |
| 14. | 310-251D | G.W. SPACER 1" | | |
| 15. | 805-126C | PIN LYNCH 1/4 X 1 3/4 PLT | | |
| 16. | 310-090H | 90 GAUGE WHEEL YOKE | | |
| 17. | 802-305C | HHCS 1/2-20X8 GR5 | | |
| 18. | 803-018C | NUT HEX 1/2-20 PLT | | |
| 19. | 804-015C | WASHER LOCK SPRING 1/2 PLT | | |
| 20. | 310-249D | RPBY 827-056C | | |
| 21. | 310-250D | SPACER TUBE-SH. G.W. | | |
| 22. | 814-070C | RPBY 814-114C | | |
| 23. | 315-247D | 1 1/4 SQ BAR SPACER 1/4" LG | | |
| 24. | 315-246D | 1 1/4 SQ BAR SPACER 1/2" LG | | |
| 25. | 315-245D | 1 1/4 SQ BAR SPACER 1" LG | | |
| 26. | 315-098H | NON-CASTER GW YOKE WELD | | |
| 27. | 315-248D | 1 1/4 SQ BAR TOP CAP | | |
| 28. | 315-195H | NONCASTERED GW ARM AFM40200 | | |
| 29. | 814-193C | TIRE 13X5.00-6 (LITE FOAM) RIB | | |

Gauge Wheel Left & Right Hand Deck (S/N 231295+)

Applies to AFM4016 and AFM40200 (S/N 147000+)



15693

Gauge Wheel Left & Right Hand Deck (S/N 231295+)**Applies to AFM4016 and AFM40200 (S/N 147000+)**

| Ref | Part No. | Part Description | Comments | Revision |
|-----|------------|---------------------------------------|---|-----------------------------|
| | dwg15693 | Drawing Image Number | | |
| 1. | 315-496A | AFM4016 BOLT-ON SQ HL TB UPGRD | For replacement (S/N 231294-) | |
| 2. | 814-118C | TIRE & WHL ASSY 18X9.50-8 4PLY | Includes items 32, 33 & 34 | |
| 3. | 315-246D | 1 1/4 SQ BAR SPACER 1/2 LG | | |
| 4. | 315-417H | NON CASTER ARM WLDMNT 14&16AFM | (S/N 231295+) | Rev. 2 |
| 4. | 315-417H81 | NON CASTER ARM WLDMNT 14&16AFM GREEN | | |
| 4. | 315-417H82 | NON CASTER ARM WLDMNT 14&16AFM ORANGE | | |
| 4. | 315-417H83 | NON CASTER ARM WLDMNT 14&16AFM RED | | |
| 4. | 315-417H84 | NON CASTER ARM WLDMNT 14&16AFM BLUE | | |
| 4. | 315-308H | 4522 NON-CASTER G. W. ARM | (S/N 231294-) Option | Rev 1; Use up stock |
| 5. | 805-015C | PIN LYNCH 5/16 X 1 3/4 | | |
| 6. | 802-091C | HHCS 1/2-13X1 1/2 GR5 | | |
| 7. | 804-015C | WASHER LOCK SPRING 1/2 PLT | | |
| 8. | 803-020C | NUT HEX 1/2-13 PLT | | |
| 9. | 800-001C | GREASE ZERK STRAIGHT 1/4-28 | | |
| 10. | 315-343S | 4522 CASTERED G.W. ASSY | Includes items 1, 5, 12, 18, 19, 24, 26,28, 29, 30, 35, 36 & 37 | |
| 11. | 315-344S | 4522 NON-CASTERED G.W. ASSY | Includes items 1, 2, 3, 5, 12, 18, 19,21, 22, 23 &26 | |
| 12. | 815-104C | HUB 4-BOLT W/ZERK COMPLETE | Includes items 9, 13, 15, 16, 17, 20 & 25 | |
| 13. | 822-030C | BEARING CONE 1 | | |
| 14. | 315-413H | CASTERED ARM WLDMNT 14&16 AFM | (S/N 231295+) | Rev. 2 not compat. w/Rev. 1 |
| 14. | 315-413H81 | CASTERED ARM WLDMNT 14&16 AFM GREEN | | |
| 14. | 315-413H82 | CASTERED ARM WLDMNT 14&16 AFM ORANGE | | |
| 14. | 315-413H83 | CASTERED ARM WLDMNT 14&16 AFM RED | | |
| 14. | 315-413H84 | CASTERED ARM WLDMNT 14&16 AFM BLUE | | |
| 14. | 315-307H | 4522 CASTER G. W. ARM | (S/N 231294-) | Rev. 1 |
| 15. | 802-125C | REP BY BO-47 | | |
| 16. | 822-080C | BEARING CUP L44610 | | |
| 17. | 816-014C | TINE GAUGE WHEEL HUB SEAL | | |
| 18. | 803-053C | NUT HEX SLOTTED 3/4-16 | | |
| 19. | 805-045C | PIN COTTER 5/32 X 1 1/4 LG | | |
| 20. | 890-068C | RPBY 890-614C) GREASE CAP#1518 | | |
| 21. | 315-245D | 1 1/4 SQ BAR SPACER 1 LG | | |
| 22. | 315-247D | 1 1/4 SQ BAR SPACER 1/4 LG | | |
| 23. | 315-248D | 1 1/4 SQ BAR TOP CAP | | |
| 24. | 310-252D | G.W. SPACER 1/2 | | |
| 25. | 803-159C | NUT LUG 1/2-20 X 60 DEG PLT | | |
| 26. | 804-025C | WASHER FLAT 3/4 SAE PLT | | |
| 27. | 890-202C | GAUGE WHEEL SFT PIVOT BUSHING | | |
| 28. | 310-251D | G.W. SPACER 1 | | |
| 29. | 310-359D | GW SPACER 1/4 | | |
| 30. | 315-314H | RPBY 315-403A | | |
| 31. | 315-270D | GAUGE WHEEL ARM BASE PLATE | (S/N 231294-) | |
| 32. | 10-097 | CARLISLE TIRE 18 X 9.5-8 4PLY | | Rev. 2 |
| 32. | 518081 | RPBY 10-097 | | Rev 1; Use up stock |
| 33. | TR-412 | T1. VALVE MARTIN | | |
| 34. | 492107 | CARLISLE RIM FOR 18X9.5-8 TIRE | | |
| 35. | 802-145C | RHSNB 3/8-16X2 1/2 GR5 | | |
| 36. | 803-198C | NUT HEX WHIZ 3/8-16 | | |
| 37. | 315-768D | SPINDLE | | |
| 38. | 315-383H | WELDMNT NON-CASTERED YOKE | | |
| 39. | 802-099C | HHCS 1/2-13X3 1/4 GR5 | For replacement (S/N 231294-) | |

Gauge Wheel Left & Right Hand Deck (S/N 231295+) (continued)

Applies to AFM4016 and AFM40200 (S/N 147000+)

| Ref | Part No. | Part Description | Comments | Revision |
|------------|-----------------|-------------------------------|-------------------------------|-----------------|
| 40. | 315-488H | 14/16 BOLT-ON NON-CASTR MOUNT | For replacement (S/N 231294-) | |
| 41. | 803-169C | NUT HEX FLG. LOCK 1/2-13 PLT. | For replacement (S/N 231294-) | |

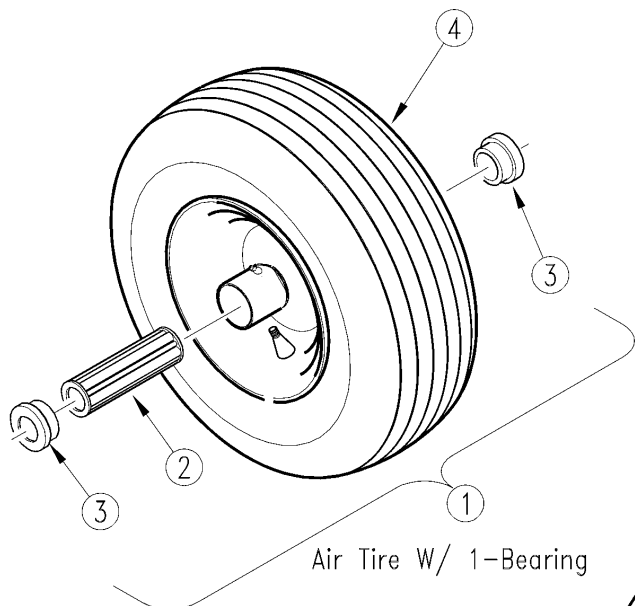
Gauge Wheel Left & Right Hand Deck (S/N 231295+) (continued)

Applies to AFM4016 and AFM40200 (S/N 147000+)

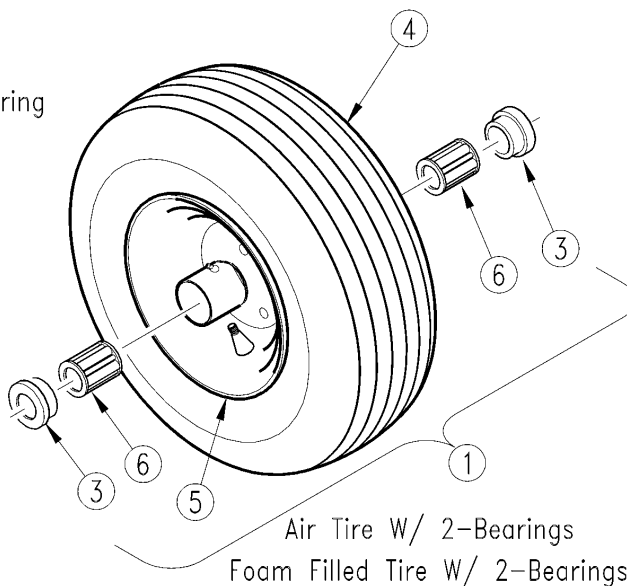
This Page Intentionally Left Blank

Gauge Wheels 814-070C and 814-114C) (S/N 231294-)

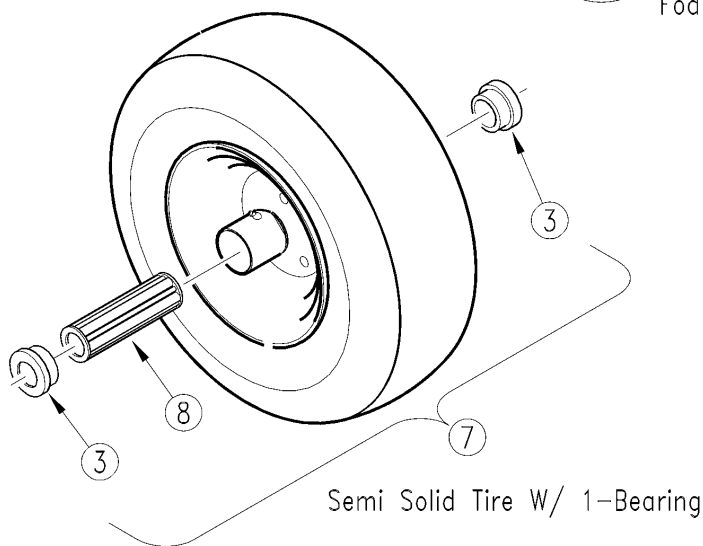
Applies to AFM4016 and AFM40200 (S/N 147000+)



Air Tire W/ 1-Bearing



Air Tire W/ 2-Bearings
Foam Filled Tire W/ 2-Bearings



Semi Solid Tire W/ 1-Bearing

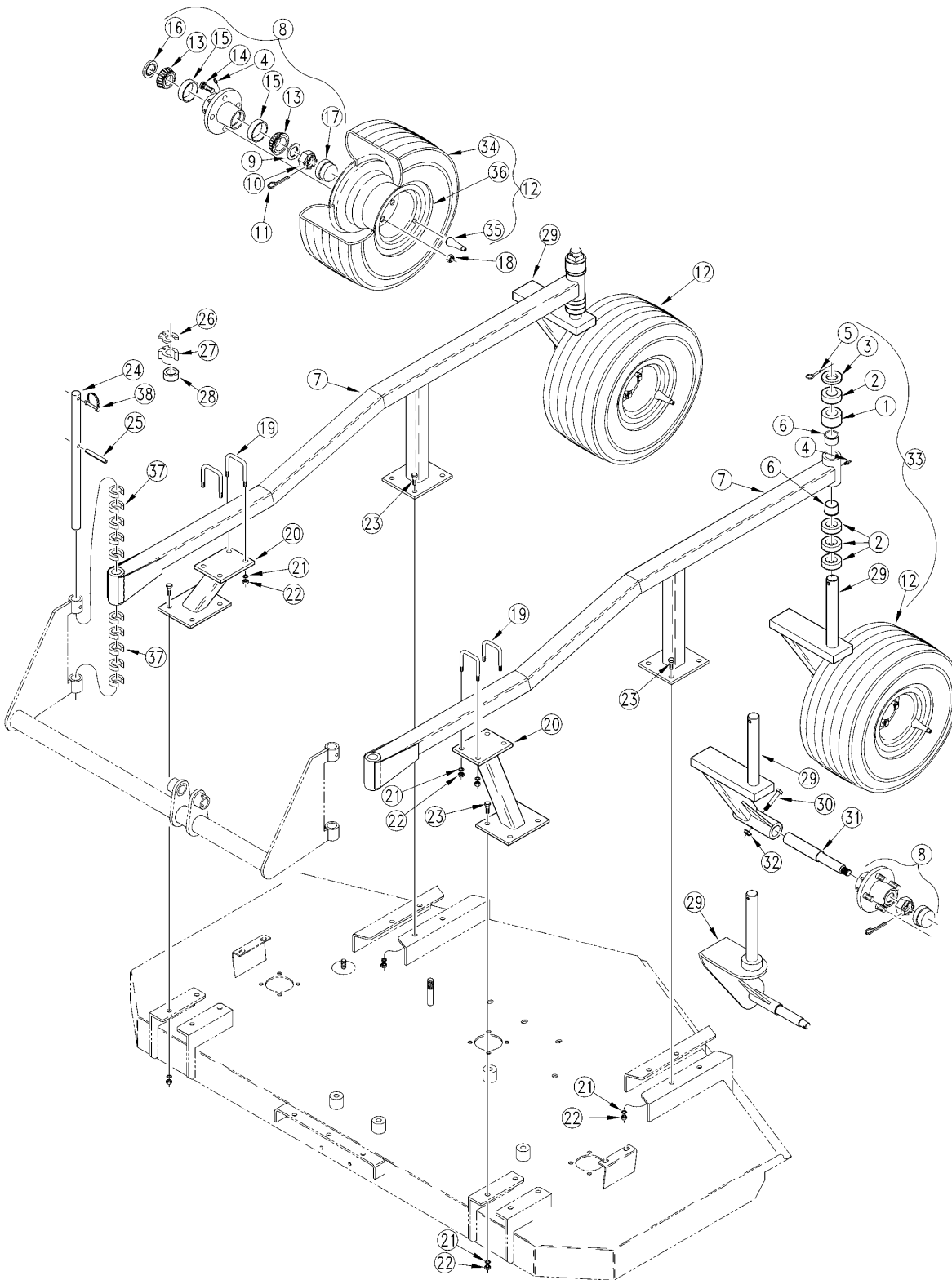
13630

Gauge Wheels 814-070C and 814-114C) (S/N 231294-)**Applies to AFM4016 and AFM40200 (S/N 147000+)**

| Ref | Part No. | Part Description | Comments | Revision |
|-----|----------------|---------------------------------|---------------------------------|----------|
| | dwg13630 | Drawing Image Number | | |
| 1. | 814-114C | TIRE 13X5.00-6 AIR TIRE W/HOLES | Standard air tire w/rim holes | Rev. 2 |
| 1. | 814-070C | RPBY 814-114C | Obsolete air tire w/o rim holes | Rev. 1 |
| 2. | 53-180 | TILDEN BRG 1.38 OD X3.7LG.75ID | For wheels w/ 1-bearing | Rev. 2 |
| 2. | 95360NA | RPBY 53-180 | | Rev. 1 |
| 3. | 53-164 | TILDEN RTNR 3/4IDX1 3/8ODX1/4L | | Rev.2 |
| 3. | BF-1506 | RPBY 53-164 | | Rev. 1 |
| 4. | 5180211 | CL TIRE 13X500-6 4PLY RIB | Standard air tire | Rev. 2 |
| 4. | 506-4R-I | RPBY 5180211 | | Rev. 1 |
| 5. | 50069S6LPY34RB | RIM W/DRAIN HOLES & BRGS -114C | For rims w/ 2-bearings | |
| 6. | 53-189 | TILDEN BRG 3/4ID1.34ODX15/16L | For wheels w/ 2-bearings | Rev. 2 |
| 6. | 95316 | RPBY 53-189 | | Rev. 1 |
| 7. | 814-272C | TIRE 13X5.0-6SEMI-SOLID SMOOTH | Optional solid tire w/rim holes | Rev. 2 |
| 7. | 814-193C | RPBY 814-272C | Obsolete foam fill tire | Rev. 1 |
| 8. | 15500000037 | Roller Bearing .75 ID X 1.375 O | | |

Gauge Wheels Center Deck (S/N 231295+)

Applies to AFM4016 and AFM40200 (S/N 147000+)



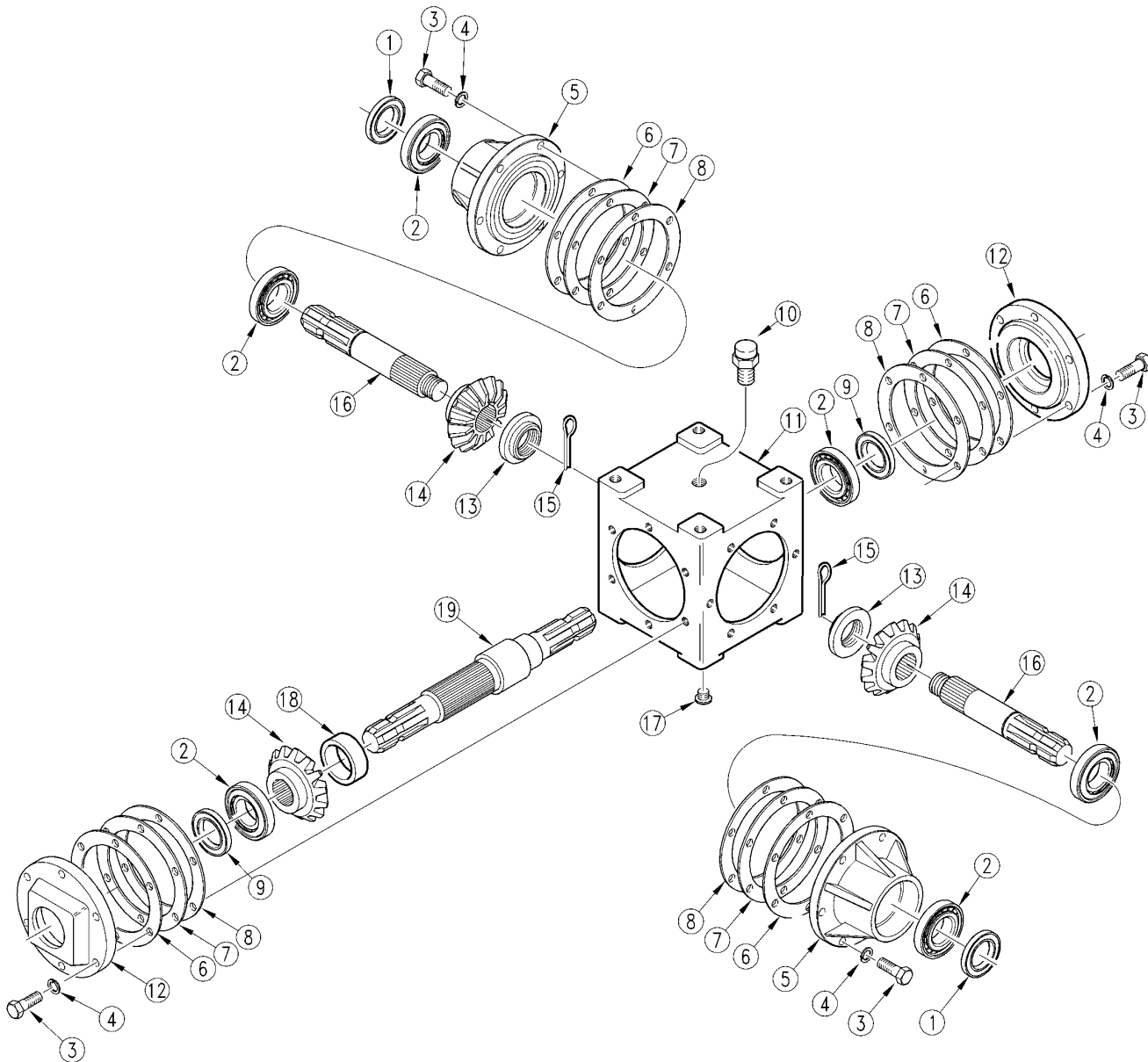
15694

Gauge Wheels Center Deck (S/N 231295+)**Applies to AFM4016 and AFM40200 (S/N 147000+)**

| Ref | Part No. | Part Description | Comments | Revision |
|-----|------------|------------------------------------|---|------------------------------|
| | dwg15694 | Drawing Image Number | | |
| 1. | 310-251D | G.W. SPACER 1 | | |
| 2. | 310-252D | G.W. SPACER 1/2 | | |
| 3. | 310-359D | GW SPACER 1/4 | | |
| 4. | 800-001C | GREASE ZERK STRAIGHT 1/4-28 | | |
| 5. | 805-015C | PIN LYNCH 5/16 X 1 3/4 | | |
| 6. | 890-202C | GAUGE WHEEL SFT PIVOT BUSHING | | |
| 7. | 315-419H | AFM4016 CENTER DECK CARRIER | (S/N 242927+) | Rev. 2 not compat. w/Rev. 1. |
| 7. | 315-419H81 | AFM4016 CENTER DECK CARRIER GREEN | | |
| 7. | 315-419H82 | AFM4016 CENTER DECK CARRIER ORANGE | | |
| 7. | 315-419H83 | AFM4016 CENTER DECK CARRIER RED | | |
| 7. | 315-419H84 | AFM4016 CENTER DECK CARRIER BLUE | | |
| 7. | 315-361H | 4016 SOD WHEEL MTG. CEN. DECK | (S/N 242926-) | Rev. 1 |
| 8. | 815-104C | HUB 4-BOLT W/ZERK COMPLETE | Includes items 4 & 13 through 18 | |
| 9. | 804-025C | WASHER FLAT 3/4 SAE PLT | | |
| 10. | 803-053C | NUT HEX SLOTTED 3/4-16 | | |
| 11. | 805-045C | PIN COTTER 5/32 X 1 1/4 LG | | |
| 12. | 814-118C | TIRE & WHL ASSY 18X9.50-8 4PLY | | |
| 13. | 822-030C | BEARING CONE 1 | | |
| 14. | 802-125C | REP BY BO-47 | | |
| 15. | 822-080C | BEARING CUP L44610 | | |
| 16. | 816-014C | TINE GAUGE WHEEL HUB SEAL | | |
| 17. | 890-068C | RPBY 890-614C) GREASE CAP#1518 | | |
| 18. | 803-159C | NUT LUG 1/2-20 X 60 DEG PLT | | |
| 19. | 806-023C | U-BOLT 1/2-13 X 2 1/32 X 3 1/4 | | |
| 20. | 315-194H | STAND-OFF CEN. DECK CARRIER | | |
| 20. | 315-194H81 | STAND-OFF CEN. DECK CARRIER GREEN | | |
| 20. | 315-194H82 | STAND-OFF CEN. DECK CARRIER ORANGE | | |
| 20. | 315-194H83 | STAND-OFF CEN. DECK CARRIER RED | | |
| 20. | 315-194H84 | STAND-OFF CEN. DECK CARRIER BLUE | | |
| 21. | 804-015C | WASHER LOCK SPRING 1/2 PLT | | |
| 22. | 803-020C | NUT HEX 1/2-13 PLT | | |
| 23. | 802-091C | HHCS 1/2-13X1 1/2 GR5 | | |
| 24. | 315-237D | AFM4014/16 CARRIER ROD 1 1/2OD | (S/N 242927+) | Rev. 2 not compat. w/Rev. 1. |
| 24. | 315-484D | CEN DECK CARRIER ROD | (S/N 242926-) | Rev. 1 |
| 25. | 805-255C | PIN ROLL 3/8 X 2 1/2 PLT | (S/N 242927+) | Rev. 2 not compat. w/Rev. 1. |
| 25. | 805-161C | PIN ROLL 3/8 X 1 3/4 LG PLT | (S/N 242926-) | Rev. 1 |
| 26. | 817-151C | GW SNAP ON SPACER - 1/4 THICK | | |
| 27. | 817-152C | GW SNAP ON SPACER - 1 THICK | | |
| 28. | 827-001C | SPACER 1/2 | | |
| 29. | 315-384H | WELDMENT CASTERED YOKE | | Rev. 2 |
| 29. | 315-314H | RPBY 315-403A | | Rev 1; Use up stock |
| 30. | 802-145C | RHSNB 3/8-16X2 1/2 GR5 | | |
| 31. | 315-768D | SPINDLE | | |
| 32. | 803-198C | NUT HEX WHIZ 3/8-16 | | |
| 33. | 315-343S | CASTER G.W. YOKE,18" TIRE ASSY | Includes items 1, 2, 3, 5, 8 through 12 & 29 through 32 | |
| 34. | 10-097 | CARLISLE TIRE 18 X 9.5-8 4PLY | | Rev. 2 |
| 34. | 518081 | RPBY 10-097 | | Rev 1; Use up stock |
| 35. | TR-412 | T1. VALVE MARTIN | | |
| 36. | 492107 | CARLISLE RIM FOR 18X9.5-8 TIRE | | |
| 37. | 315-733D | C SPACER COLLAR 1/2X1 17/32 ID | (S/N 242927+) | |
| 38. | 805-065C | PIN WIRE RETAINING 1/4 X 1 3/4 | (S/N 242927+) | |

Gearbox 4-Way Splitter (826-141C) ITG (S/N 242926-)

Applies to AFM4016 and AFM40200 (S/N 147000+)



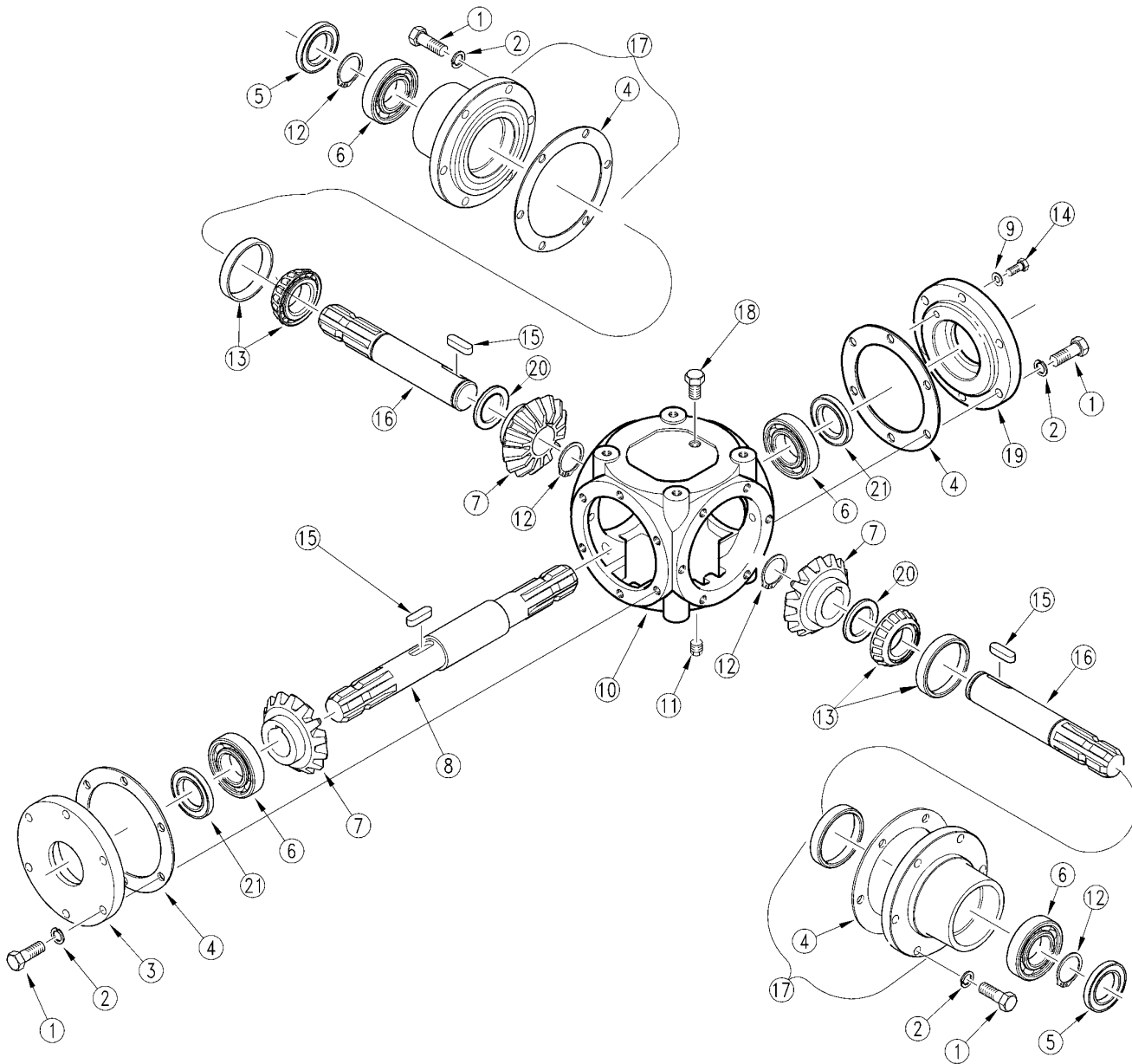
13712

Gearbox 4-Way Splitter (826-141C) ITG (S/N 242926-)**Applies to AFM4016 and AFM40200 (S/N 147000+)**

| Ref | Part No. | Part Description | Comments | Revision |
|-----|----------|------------------------------|----------|----------|
| | dwg13712 | Drawing Image Number | | |
| | 826-141C | 4-WAY SPLITTER BOX 1:1 RATIO | | |
| 1. | 05-015 | ITG HUB SHAFT SEAL | | |
| 2. | 04-018 | ITG BEARING ASSY ISO #30208 | | |
| 3. | 06-012 | ITG M10 X 1.5 X 25 CAP SCREW | | |
| 4. | 07-001 | RPBY 804-158C | | |
| 5. | 20-028 | ITG OUTPUT HUB CAP | | |
| 6. | 08-027 | ITG GASKET 0.25 (METAL) | | |
| 7. | 08-028 | ITG GASKET 0.30 (METAL) | | |
| 8. | 08-029 | ITG GASKET 0.40 (METAL) | | |
| 9. | 05-002 | ITG INPUT OIL SEAL | | |
| 10. | 09-011 | ITG M18 X 1.5P PLUG VENTED | | |
| 11. | 18-033 | ITG SPLITTER BOX HOUSING | | |
| 12. | 20-029 | ITG THRU SHAFT HUB CAP | | |
| 13. | 11-021 | ITG BRG ADJUSTING NUT | | |
| 14. | 03-067 | ITG 16 TOOTH GEAR | | |
| 15. | 12-006 | ITG COTTER PIN | | |
| 16. | 02-062 | ITG HUB SHAFT | | |
| 17. | 09-013 | ITG DRAIN PLUG | | |
| 18. | 10-042 | ITG SPACER | | |
| 19. | 02-061 | ITG THRU SHAFT | | |

Gearbox 4-Way Splitter (826-097C) Comer S/N 242927 to 272759)

Applies to AFM4016 and AFM40200 (S/N 147000+)

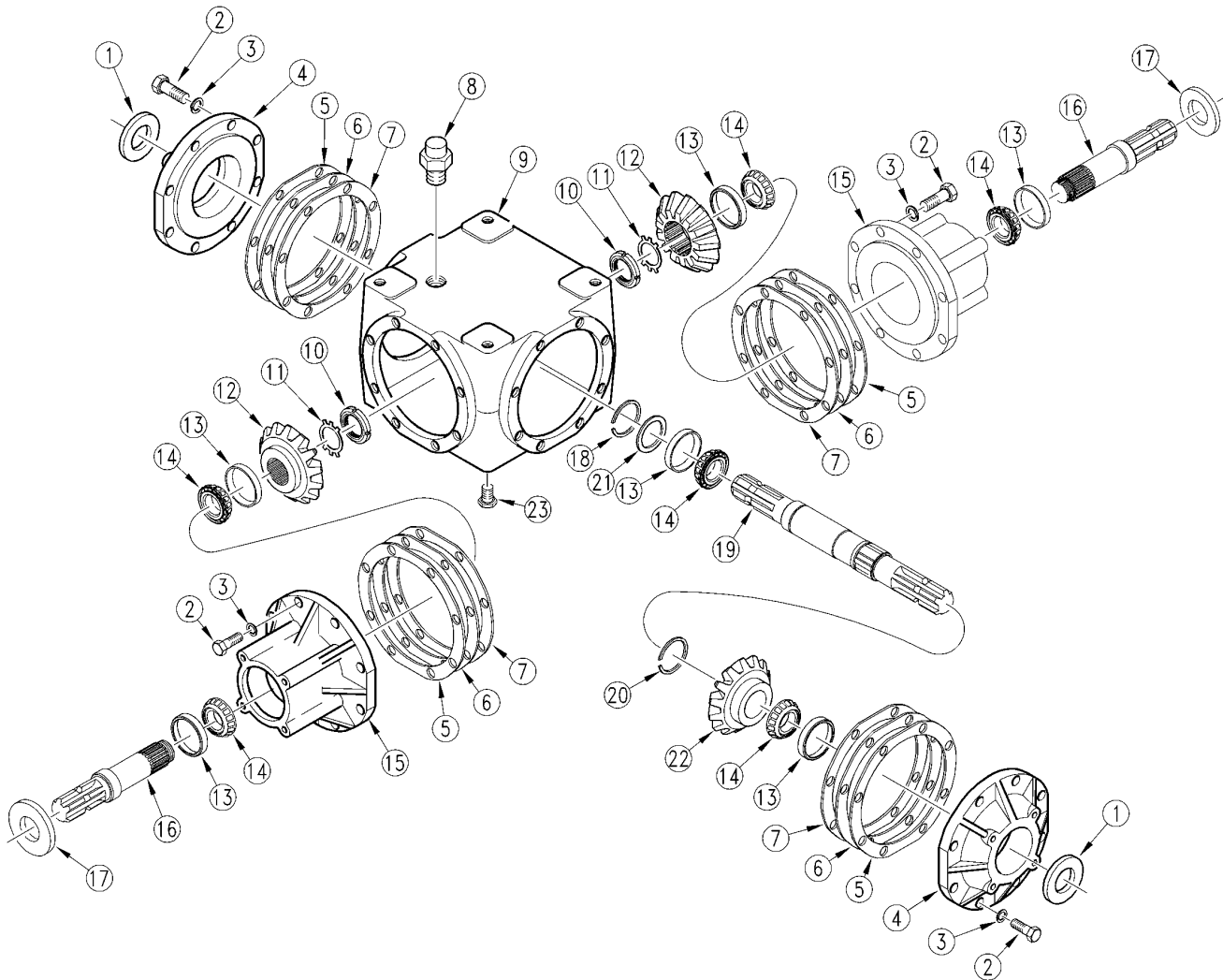


Gearbox 4-Way Splitter (826-097C) Comer S/N 242927 to 272759)**Applies to AFM4016 and AFM40200 (S/N 147000+)**

| Ref | Part No. | Part Description | Comments | Revision |
|-----|---------------|--------------------------------|----------|---------------------|
| | dwg11787 | Drawing Image Number | | |
| | 315-447A | AFM14,16,22 GB W/HDWR SHIPOUT | | |
| | 826-097C | RPBY 315-447A | | |
| 1. | 8.1.1.00073 | CO BOLT M10 X 30 8.8 | | |
| 2. | 8.3.6.00020 | CO SPRING WASHER 10.2DIN798 | | |
| 3. | 0.257.1743.00 | CO COVER | | |
| 4. | 0.242.7200.00 | CO GASKET | | |
| 5. | 8.7.3.00055 | CO OIL SEAL 35 X 72 X 10 | | |
| 6. | 822-166C | BEARING BALL 6207 | | Rev. 2 |
| 6. | 8.0.1.00870 | RPBY 822-166C | | Rev 1; Use up stock |
| 7. | 0.241.5001.00 | CO GEAR Z14 M6.5 | | |
| 8. | 0.267.4212.00 | CO SHAFT | | |
| 9. | 8.3.3.00384 | CO WASHER M8 | | |
| 10. | 0.257.0505.00 | CO CASTING | | |
| 11. | 0.107.7100.01 | CO OIL FILTER PLUG | | |
| 12. | 8.5.1.00005 | CO SNAP RING EXT 35 UN17435 | | |
| 13. | 8.0.9.00026 | REP BY 822-167C (SET) | | |
| 14. | 8.1.1.00045 | CO BOLT M8 X 10 8.8 | | |
| 15. | 8.4.1.00021 | CO PARALLEL KEY A 10 X 8 X 35 | | |
| 16. | 0.242.2101.00 | CO OUTPUT SHAFT | | |
| 17. | 0.256.1314.00 | CO EXTENSION | | |
| 18. | 8.6.5.00006 | CO OIL PLUG 3/8 | | |
| 19. | 0.257.1742.00 | CO COVER | | |
| 20. | A.259.500 | CO ADJUSTMENT SPACER, 35.3 X48 | | |
| 21. | 8.7.3.00071 | CO OIL SEAL 35 X 56 X 8 | | |

Gearbox 4-Way Splitter (826-274C) OMNI (S/N 272760+)

Applies to AFM4016 and AFM40200 (S/N 147000+)

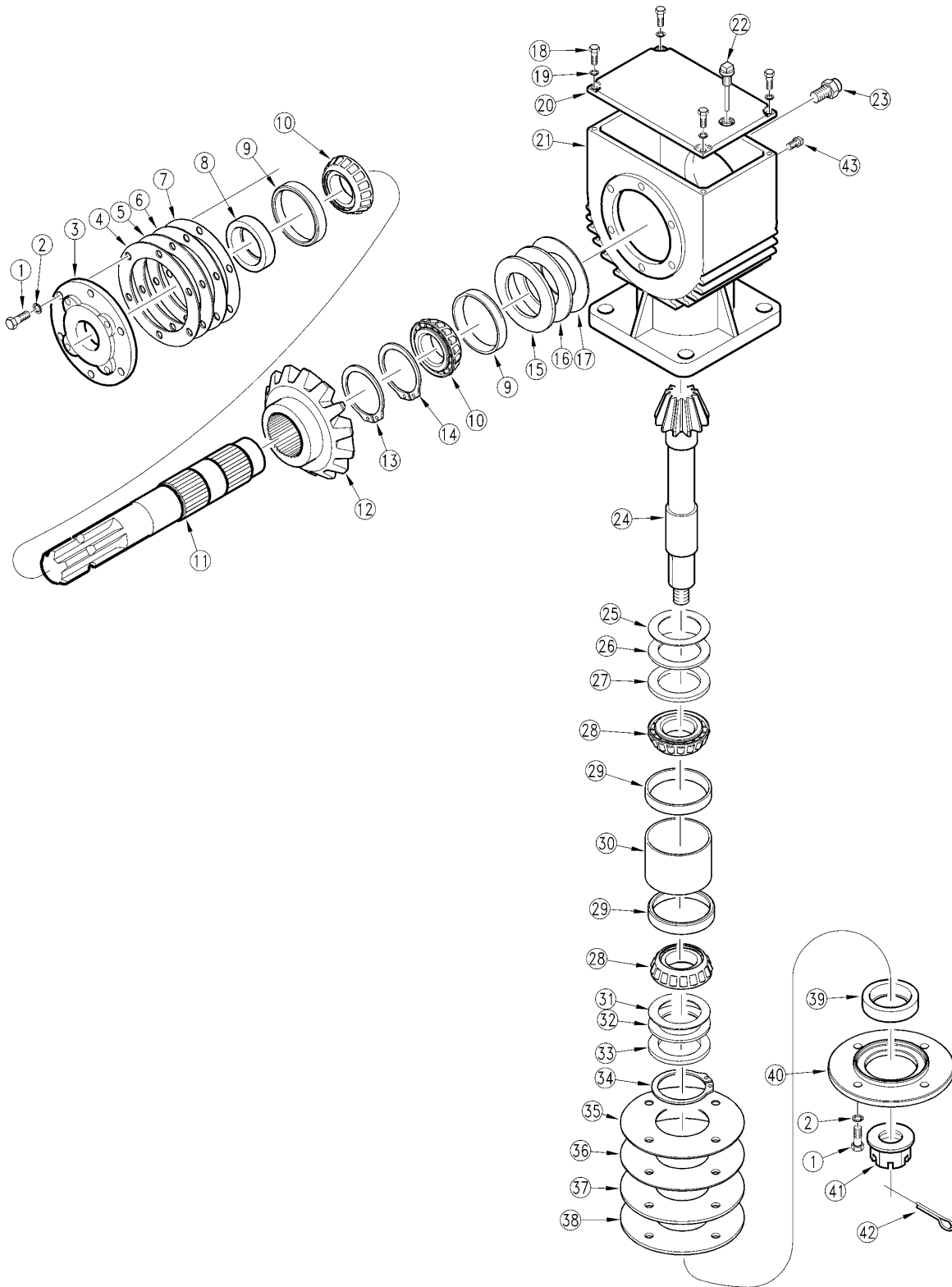


Gearbox 4-Way Splitter (826-274C) OMNI (S/N 272760+)**Applies to AFM4016 and AFM40200 (S/N 147000+)**

| Ref | Part No. | Part Description | Comments | Revision |
|-----|----------|--------------------------------|----------|----------|
| | dwg18259 | Drawing Image Number | | |
| | 826-274C | GBOX DIVIDER OMNI 250559 1:1 | | |
| 1. | 060133 | OMNI SEAL-THROUGH CAP (3-LIP) | | |
| 2. | 802-159C | HHCS 5/16-18X1 GR5 | | |
| 3. | 804-009C | WASHER LOCK SPRING 5/16 PLT | | |
| 4. | 020166 | OMNI CAP, THRU | | |
| 5. | 070218 | OMNI GASKET, CAP 0.10MM | | |
| 6. | 070219 | OMNI GASKET, CAP 0.20MM | | |
| 7. | 070220 | OMNI GASKET, CAP 0.30MM | | |
| 8. | 140055 | OMNI PLUG REL1/2-14NPTF,DPSTCK | | |
| 9. | 010180 | OMNI HOUSING, 400 SER. 5B MODI | | |
| 10. | 120126 | LOCK NUT, BEARING M30X1.5 | | |
| 11. | 130146 | LOCKWASHER, BEARING M30 | | |
| 12. | 030512 | OMNI GEAR, OUTPUT 20T (1:1) | | |
| 13. | 050170 | REP BY 050172 CUP | | |
| 14. | 050172 | REP BY 822-167C | | |
| 15. | 020164 | OMNI CAP CANTILEVERED | | |
| 16. | 040345 | OMNI SHAFT-OUTPUT 1 3/8-6A SPL | | |
| 17. | 060134 | OMNI SEAL, CANT. CAP (3-LIP) | | |
| 18. | 200142 | OMNI RETAINING RING, 35MM | | |
| 19. | 040343 | OMNI SHAFT-INPUT 1 3/8-6A SPL | | |
| 20. | 200141 | OMNI RTNG. RING 38MM RC DSH-38 | | |
| 21. | 090099 | OMNI SPACER | | |
| 22. | 030467 | OMNI GEAR, INPUT 20T (1:1) | | |
| 23. | 140004 | OMNI PLUG, SOCKET HD. 1/2 PIPE | | |

Gearbox Center & Right Deck (826-205C) OMNI (S/N 211887 to 368117)

Applies to AFM4016 and AFM40200 (S/N 147000+)



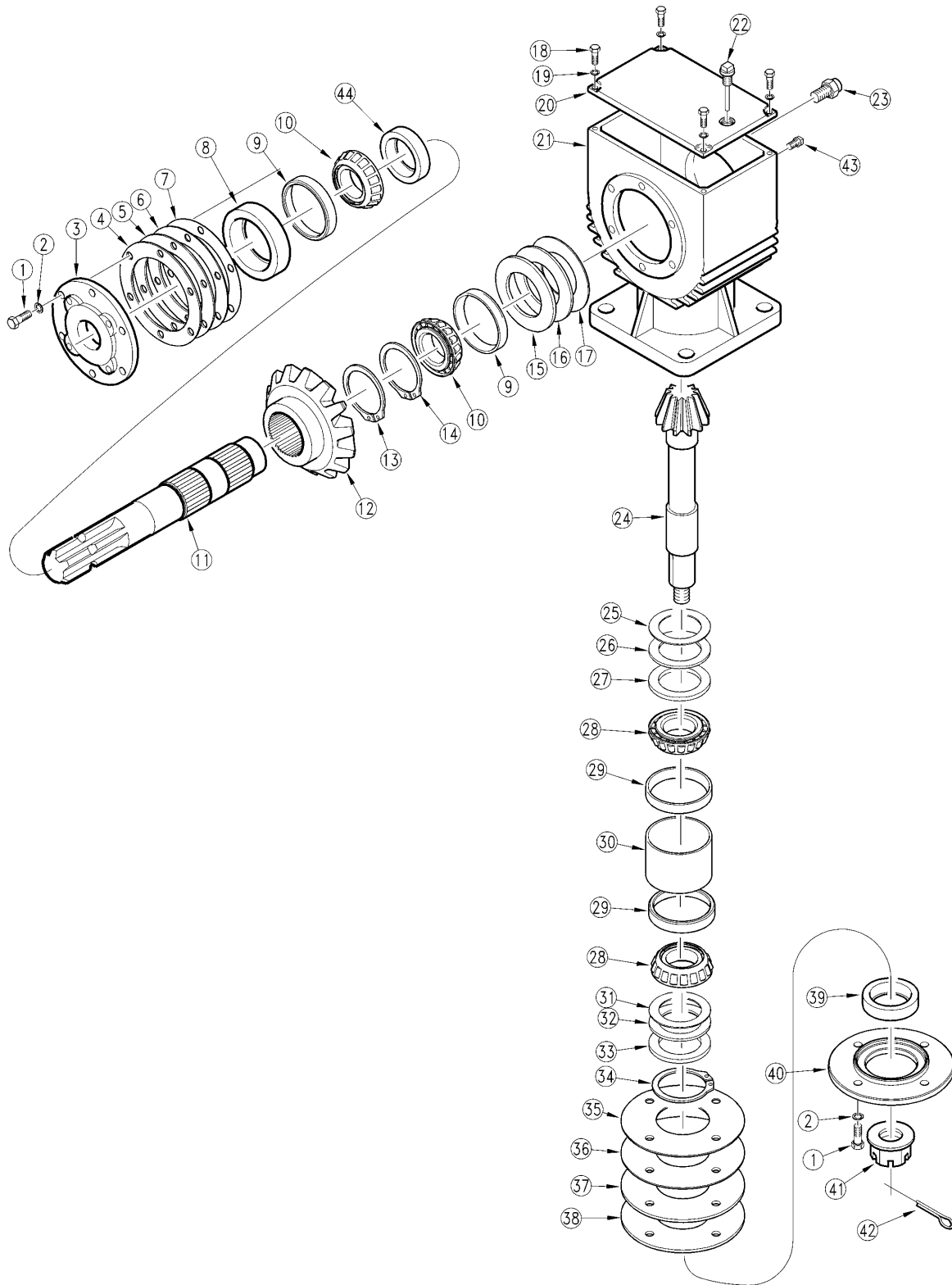
16506

Gearbox Center & Right Deck (826-205C) OMNI (S/N 211887 to 368117)**Applies to AFM4016 and AFM40200 (S/N 147000+)**

| Ref | Part No. | Part Description | Comments | Revision |
|-----|----------|--------------------------------|---------------|------------------------------|
| | dwg16506 | Drawing Image Number | | |
| | 826-205C | REP BY 826-295C | | |
| 1. | 110192 | OMNI SCREW-5/16"-18UNC X 7/8" | | |
| 2. | 130006 | REP BY 804-009C | | |
| 3. | 020224 | OMNI CAP-INPUT | | |
| 4. | 070249 | OMNI GASKET-INPUT 0.50MM | | |
| 5. | 070248 | OMNI GASKET-INPUT 0.30MM | | |
| 6. | 070247 | OMNI GASKET-INPUT 0.20MM | | |
| 7. | 070246 | OMNI GASKET-INPUT 0.10MM | | |
| 8. | 060127 | OMNI SEAL-INPUT CR13930 | | |
| 9. | 050170 | REP BY 822-167C (SET) | | |
| 10. | 050172 | REP BY 822-167C (SET) | | |
| 11. | 040335 | OMNI SHAFT-INPUT 1-3/8"-6 SPLN | | |
| 12. | 030457 | OMNI GEAR INPUT, 34T | | |
| 13. | 200141 | OMNI RTNG. RING 38MM RC DSH-38 | | |
| 14. | 200140 | OMNI RTNG. RING 38MM RC DSH-38 | | |
| 15. | 090181 | OMNI SHIM INPUT 0.30MM | | |
| 16. | 090180 | OMNI SHIM INPUT 0.20MM | | |
| 17. | 090179 | REP BY 090180 | | |
| 18. | 110009 | OMNI SCREW-1/4"-20 UNC X 3/4" | | |
| 19. | 130028 | OMNI LOCKWASHR 1/4" SPLIT TYPE | | |
| 20. | 240280 | OMNI INSPECTION COVER | | |
| 21. | 010175 | OMNI HOUSING-RC-25 | | |
| 22. | 140047 | OMNI PLUG SQ.HD.1/2-14NPT W/DP | | |
| 23. | 140000 | OMNI PIPE PLUG 1/2' SQ HEAD | (S/N 215411+) | Rev. 2 not compat. w/Rev. 1. |
| 23. | 140033 | REP BY 8.6.7.00269 | (S/N 215410-) | Rev. 1 |
| 24. | 030456 | OMNI PINION-OUTPUT 12T | | |
| 25. | 090182 | REP BY 090183 | | |
| 26. | 090183 | OMNI SHIM OUTPUT 0.20MM | | |
| 27. | 090184 | OMNI SHIM OUTPUT 0.30MM | | |
| 28. | 050197 | REP BY 822-191C | | |
| 29. | 050195 | REP BY 822-191C | | |
| 30. | 090185 | OMNI SPACER OUTPUT | | |
| 31. | 090186 | OMNI SHIM OUTPUT 0.10MM | | |
| 32. | 090187 | OMNI SHIM OUTPUT 0.20MM | | |
| 33. | 090188 | OMNI SHIM OUTPUT 0.30MM | | |
| 34. | 200000 | OMNI RETAINING RING | | |
| 35. | 070250 | OMNI GASKET-OUTPUT 0.10MM | | |
| 36. | 070251 | OMNI GASKET-OUTPUT 0.20MM | | |
| 37. | 070252 | OMNI GASKET-OUTPUT 0.30MM | | |
| 38. | 070253 | OMNI GASKET-OUTPUT 0.50MM | | |
| 39. | 060128 | OMNI SEAL-OUTPUT CR15822 | | |
| 40. | 020225 | OMNI CAP-OUTPUT | | |
| 41. | 120050 | OMNI NUT HEX SLOTTED, 1-14UNC | | |
| 42. | 100001 | OMNI COTTER PIN 5 X 50 | | |
| 43. | 140017 | OMNI PLUG PIPE SQ HD1/8-27NPTF | | |

Gearbox Center & Right Deck (826-295C) OMNI S/N (211887 to 368117)

Applies to AFM4016 and AFM40200 (S/N 147000+)



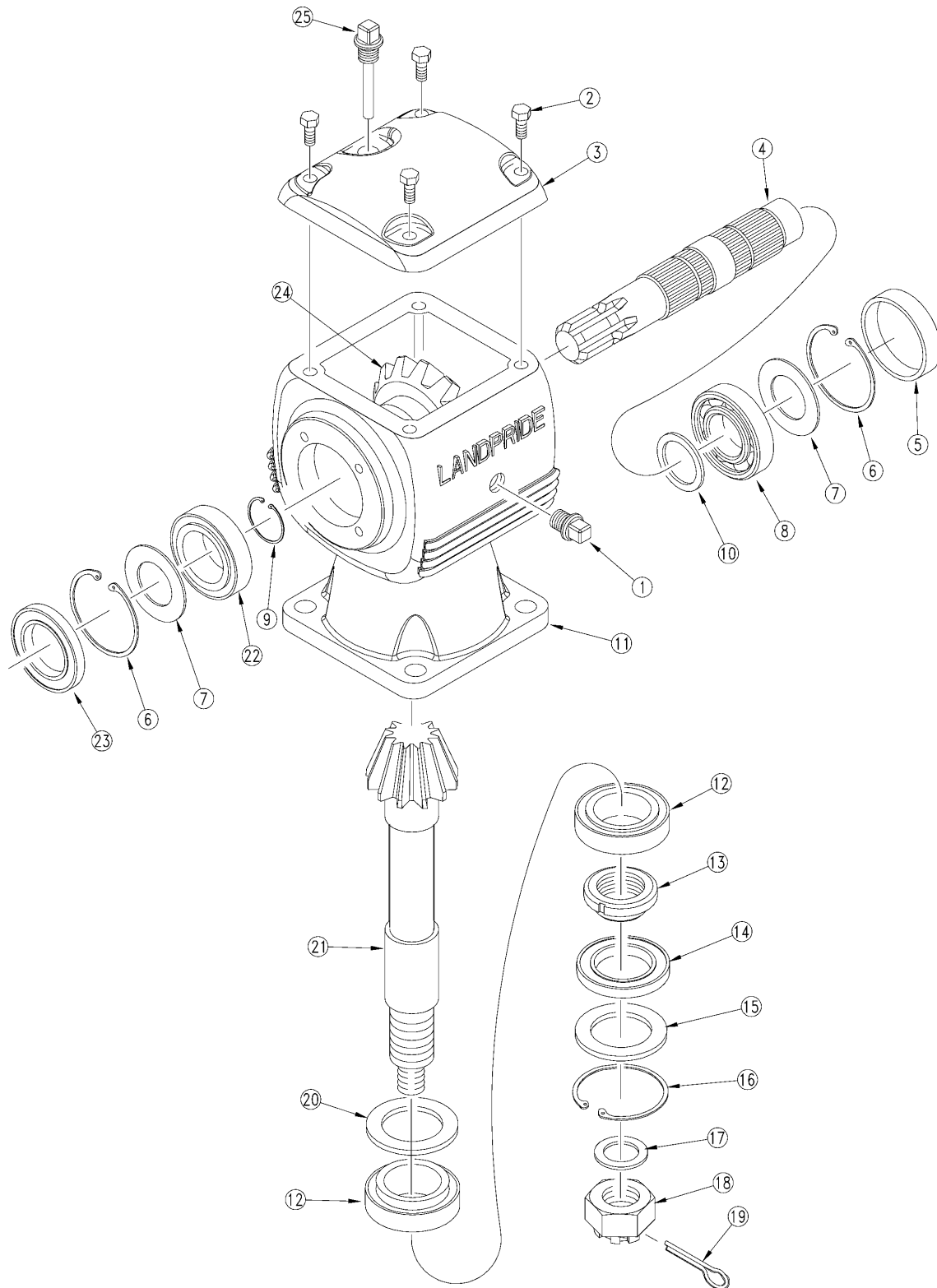
18641

Gearbox Center & Right Deck (826-295C) OMNI S/N (211887 to 368117)**Applies to AFM4016 and AFM40200 (S/N 147000+)**

| Ref | Part No. | Part Description | Comments | Revision |
|-----|----------|--------------------------------|----------|----------|
| | dwg18641 | Drawing Image Number | | |
| | 826-295C | RPBY 826-327C | | |
| 1. | 110192 | OMNI SCREW-5/16"-18UNC X 7/8" | | |
| 2. | 130006 | REP BY 804-009C | | |
| 3. | 020224 | OMNI CAP-INPUT | | |
| 4. | 070249 | OMNI GASKET-INPUT 0.50MM | | |
| 5. | 070248 | OMNI GASKET-INPUT 0.30MM | | |
| 6. | 070247 | OMNI GASKET-INPUT 0.20MM | | |
| 7. | 070246 | OMNI GASKET-INPUT 0.10MM | | |
| 8. | 060127 | OMNI SEAL-INPUT CR13930 | | |
| 9. | 050170 | REP BY 822-167C (SET) (SET) | | |
| 10. | 050172 | REP BY 822-167C (SET) (SET) | | |
| 11. | 040491 | OMNI SHAFT INPUT 1 3/8" - 6A | | |
| 12. | 030457 | OMNI GEAR INPUT, 34T | | |
| 13. | 200141 | OMNI RTNG. RING 38MM RC DSH-38 | | |
| 14. | 200140 | OMNI RTNG. RING 38MM RC DSH-38 | | |
| 15. | 090181 | OMNI SHIM INPUT 0.30MM | | |
| 16. | 090180 | OMNI SHIM INPUT 0.20MM | | |
| 17. | 090179 | REP BY 090180 | | |
| 18. | 110009 | OMNI SCREW-1/4"-20 UNC X 3/4" | | |
| 19. | 130028 | OMNI LOCKWASHR 1/4" SPLIT TYPE | | |
| 20. | 240280 | OMNI INSPECTION COVER | | |
| 21. | 010252 | OMNI HOUSING RC-25 SERIES | | |
| 22. | 140047 | OMNI PLUG SQ.HD.1/2-14NPT W/DP | | |
| 23. | 140000 | OMNI PIPE PLUG 1/2' SQ HEAD | | |
| 24. | 030456 | OMNI PINION-OUTPUT 12T | | |
| 25. | 090182 | REP BY 090183 | | |
| 26. | 090183 | OMNI SHIM OUTPUT 0.20MM | | |
| 27. | 090184 | OMNI SHIM OUTPUT 0.30MM | | |
| 28. | 050197 | REP BY 822-191C (SET) | | |
| 29. | 050195 | REP BY 822-191C (SET) | | |
| 30. | 090185 | OMNI SPACER OUTPUT | | |
| 31. | 090186 | OMNI SHIM OUTPUT 0.10MM | | |
| 32. | 090187 | OMNI SHIM OUTPUT 0.20MM | | |
| 33. | 090188 | OMNI SHIM OUTPUT 0.30MM | | |
| 34. | 200000 | OMNI RETAINING RING | | |
| 35. | 070250 | OMNI GASKET-OUTPUT 0.10MM | | |
| 36. | 070251 | OMNI GASKET-OUTPUT 0.20MM | | |
| 37. | 070252 | OMNI GASKET-OUTPUT 0.30MM | | |
| 38. | 070253 | OMNI GASKET-OUTPUT 0.50MM | | |
| 39. | 060128 | OMNI SEAL-OUTPUT CR15822 | | |
| 40. | 020225 | OMNI CAP-OUTPUT | | |
| 41. | 120050 | OMNI NUT HEX SLOTTED, 1-14UNC | | |
| 42. | 100001 | OMNI COTTER PIN 5 X 50 | | |
| 43. | 140017 | OMNI PLUG PIPE SQ HD1/8-27NPTF | | |
| 44. | 090341 | OMNI SPACER, INPUT | | |

Gearbox Center & Right Deck (826-327C) Comer (S/N 368118+)

Applies to AFM4016 and AFM40200 (S/N 147000+)



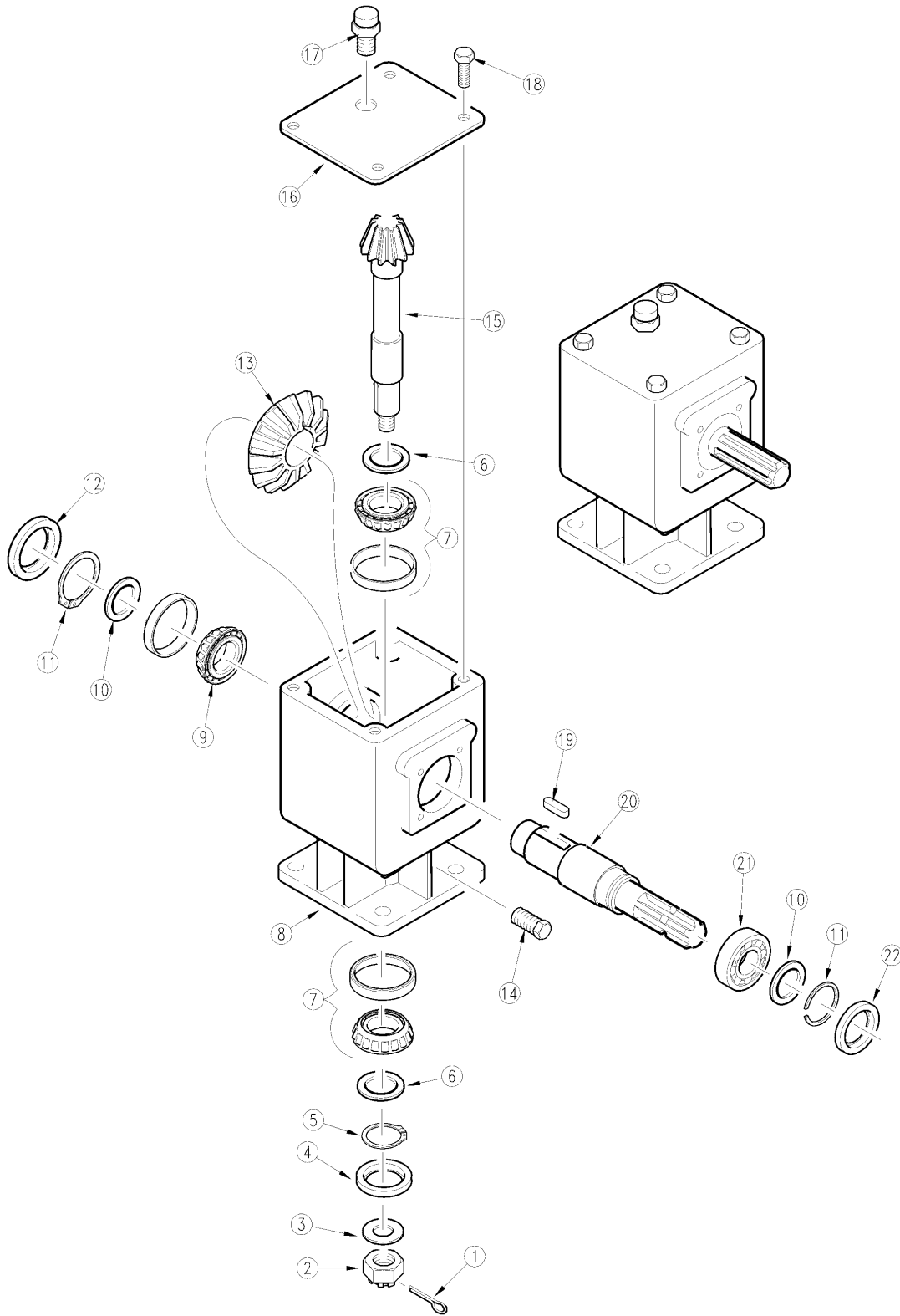
19550

Gearbox Center & Right Deck (826-327C) Comer (S/N 368118+)**Applies to AFM4016 and AFM40200 (S/N 147000+)**

| Ref | Part No. | Part Description | Comments | Revision |
|-----|----------------|--------------------------------|----------|----------|
| | dwg19550 | Drawing Image Number | | |
| | 826-327C | GBOX MOWER 50 HP 1:2.8 CCW | | |
| 1. | 8.6.5.00006 | CO OIL PLUG 3/8 | | |
| 2. | 8.1.1.00501 | CO BOLT M8X22 HHB | | |
| 3. | 0.195.1300.00 | CO COVER | | |
| 4. | 0.195.2000.00 | CO INPUT SHAFT 1" 3/8 Z6 | | |
| 5. | 8.7.0.00744 | CO CAP 72 X 10 | | |
| 6. | 8.5.2.00131 | CO SNAP RING INT 72 UN17437 | | |
| 7. | A.248.500 | COMER SHIM KIT 71.7 | | |
| 8. | 822-166C | BEARING BALL 6207 | | |
| 9. | 8.5.1.00680 | CO SNAP RING 40 UNI 7436 | | |
| 10. | 0.259.7525.00 | CO SHIM 35.3 X 48 X 2.5 | | |
| 11. | 0.195.0300.00 | CO HOUSING | | |
| 12. | 8.0.9.00102 | CO ROLLER BEARING 32208 CL-B | | |
| 13. | 0.278.7103.00 | CO NUT M40 X 1.5 | | |
| 14. | 8.7.3.00081 | CO OIL SEAL 35 X 80 X 10 RTA35 | | |
| 15. | 1.195.7100.00 | CO PROTECTIVE FLAT WASHER | | |
| 16. | 8.5.3.00955 | CO SNAP RING SB 81 | | |
| 17. | 8.3.2.00409 | CO FLAT WASHER 25 X 44 X 4 | | |
| 18. | 8.2.2.01144 | NUT CASTLE M 24 X 2 | | |
| 19. | 8.4.7.00516 | CO COTTER PIN B5 X 50 | | |
| 20. | A244.501 | CO SHIM 40.3 X 51.5 826-067C | | |
| 21. | 0.195.5000.00 | CO PINION Z12 M4.7 | | |
| 22. | 8.0.9.00026 | CO ROLLER BEARING 30207 CL-B | | |
| 23. | 8.7.3.00055 | CO OIL SEAL 35 X 72 X 10 | | |
| 24. | 0.195.6000.00 | CO CROWN GEAR Z33 M4.7 | | |
| 25. | U0.195.7101.00 | CO OIL LEVEL PLUG 3/8" GAS | | |

Gearbox Left Deck (826-121C) Comer (S/N 211886-)

Applies to AFM4016 and AFM40200 (S/N 147000+)



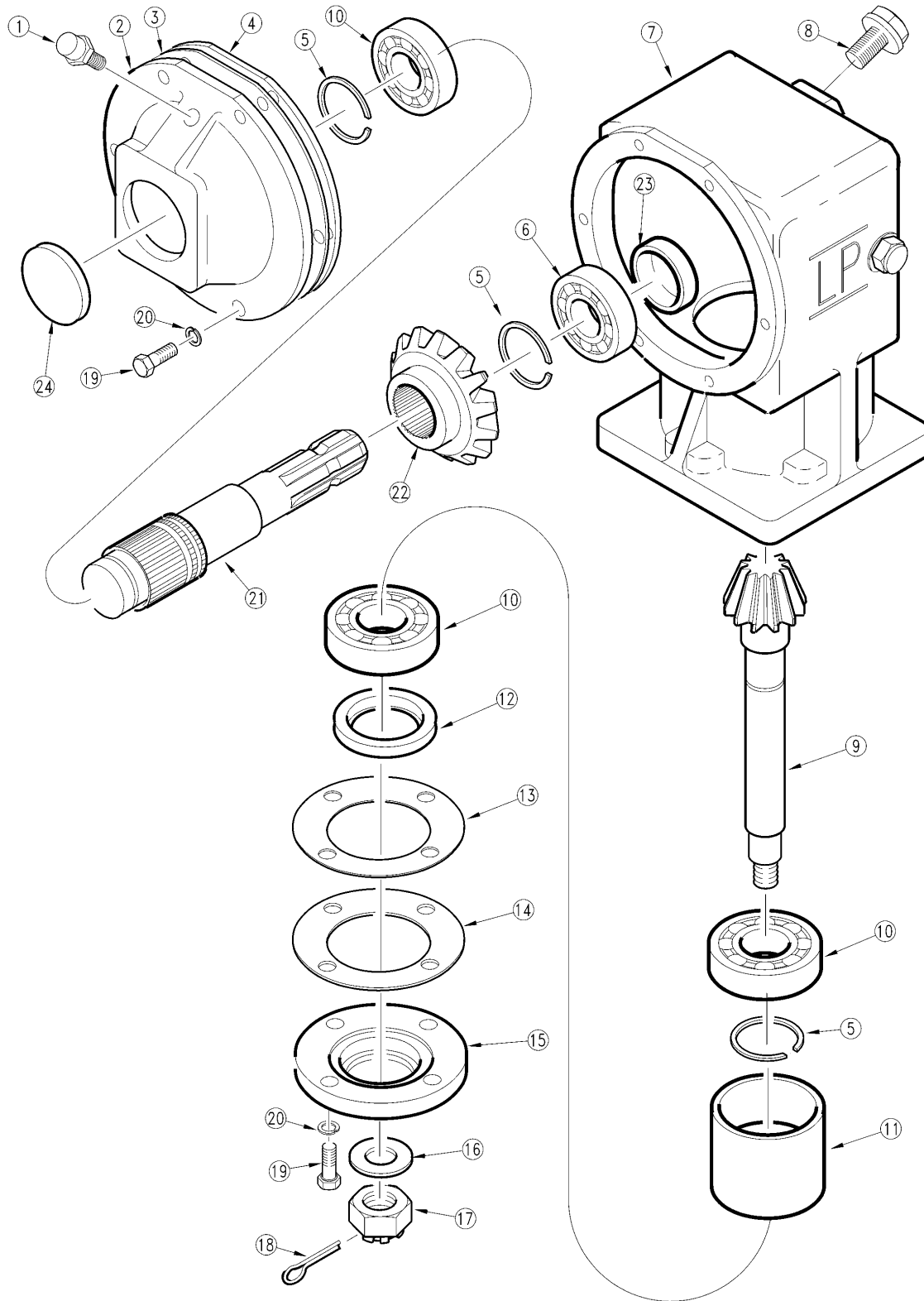
12760

Gearbox Left Deck (826-121C) Comer (S/N 211886-)**Applies to AFM4016 and AFM40200 (S/N 147000+)**

| Ref | Part No. | Part Description | Comments | Revision |
|-----|---------------|-----------------------------|----------|---------------------|
| | dwg12760 | Drawing Image Number | | |
| | 826-121C | RPBY 826-206C | | |
| 1. | 8.4.7.00516 | CO COTTER PIN M5 X 50 | | |
| 2. | 8.2.2.01144 | NUT M 24 X 2 | | |
| 3. | 8.3.2.00409 | FLAT WASHER 24 X 44 X 4 | | |
| 4. | 8.7.3.00027 | CO OIL SEAL 40 X 80 X 10 | | |
| 5. | 8.5.1.00680 | CO SNAP RING 40 UNI 7436 | | |
| 6. | A.244.500 | COMER SHIM KIT 51.5 | | |
| 7. | 8.0.9.00024 | CO BEARING 30208 | | |
| 8. | 0.151.0300.00 | CO GEARBOX HOUSING LF-151A | | |
| 9. | 8.0.9.00026 | CO BEARING 30207 | | |
| 10. | A.248.500 | COMER SHIM KIT 71.7 | | |
| 11. | 8.5.2.00131 | CO SNAP RING INT 72 UN17437 | | |
| 12. | 8.7.0.00744 | CO CAP 72 X 10 | | |
| 13. | 0.151.5201.00 | CO GEAR Z34 M4.55 | | |
| 14. | 8.6.5.00006 | CO OIL PLUG 3/8 | | |
| 15. | 0.151.6208.00 | CO PINION Z34 M4.55 | | |
| 16. | 0.140.1300.00 | CO GEARBOX TOP COVER | | |
| 17. | 0.286.7100.00 | REP BY 8.6.7.00269 | | |
| 18. | 8.1.1.00343 | CO BOLT M8 X 14 8.8 | | |
| 19. | 8.4.1.01141 | CO PAR. KEY M 12 X 8 X 30 | | |
| 20. | 0.151.2001.00 | CO GB SHAFT 1 3/8 LF-151A | | |
| 21. | 822-166C | BEARING BALL 6207 | | Rev. 2 |
| 21. | 8.0.1.00870 | RPBY 822-166C | | Rev 1; Use up stock |
| 22. | 8.7.3.00055 | CO OIL SEAL 35 X 72 X 10 | | |

Gearbox Left Deck (826-121C) ITG (S/N 211886-)

Applies to AFM4016 and AFM40200 (S/N 147000+)



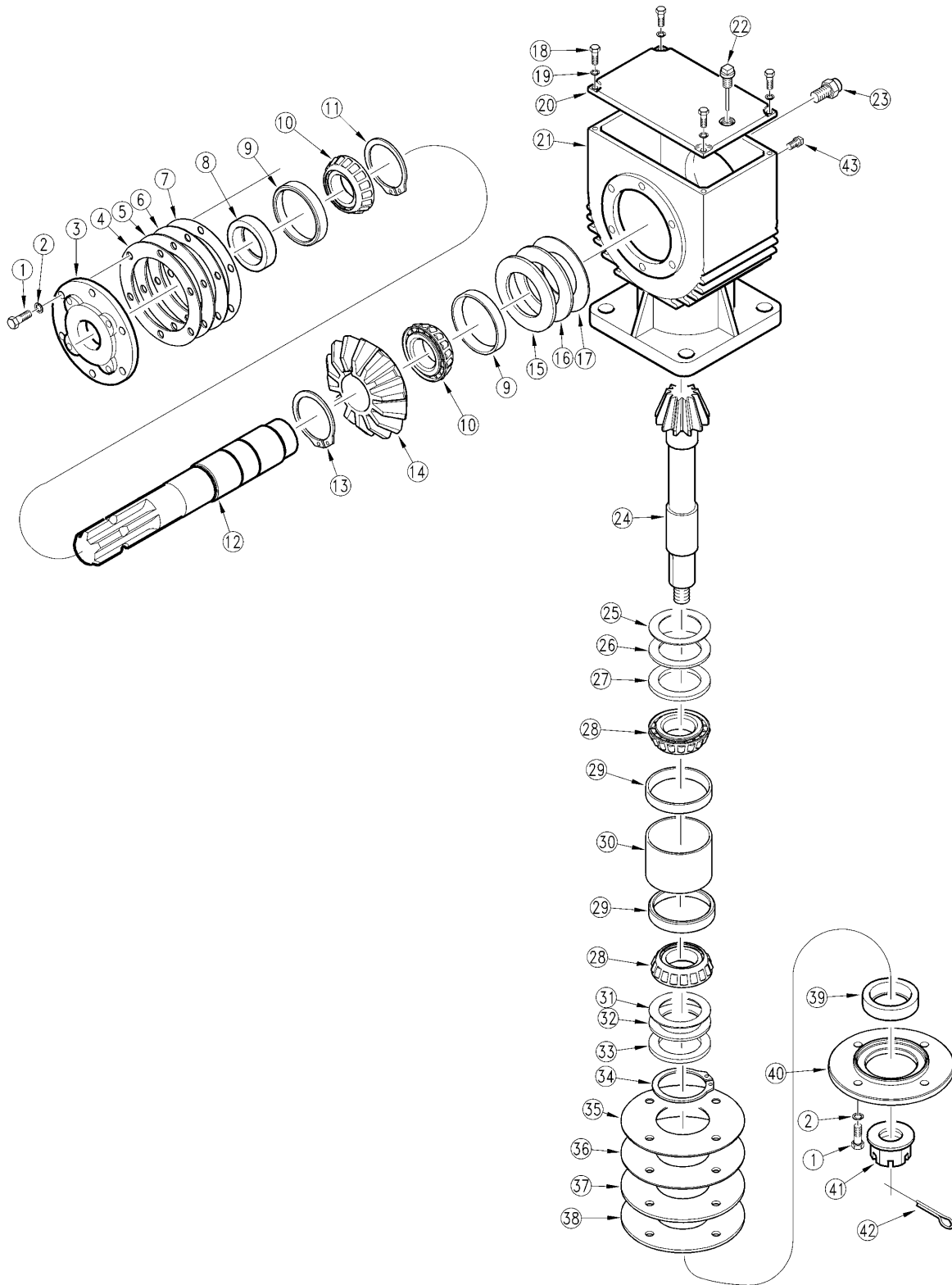
13815

Gearbox Left Deck (826-121C) ITG (S/N 211886-)**Applies to AFM4016 and AFM40200 (S/N 147000+)**

| Ref | Part No. | Part Description | Comments | Revision |
|-----|----------|------------------------------|----------|---------------------|
| | dwg13815 | Drawing Image Number | | |
| | 826-121C | RPBY 826-206C | | |
| 1. | 09-011 | ITG M18 X 1.5P PLUG VENTED | | |
| 2. | 20-031 | ITG INPUT HUB CAP | | |
| 3. | 08-030 | ITG GASKET (0.30) | | |
| 4. | 08-031 | ITG GASKET (0.13) | | |
| 5. | 21-012 | ITG RETAINING RING | | |
| 6. | 822-166C | BEARING BALL 6207 | | Rev. 2 |
| 6. | 04-004 | RPBY 822-166C | | Rev 1; Use up stock |
| 7. | 18-035 | ITG G-BOX HOUSING | | |
| 8. | 09-011 | ITG M18 X 1.5P PLUG VENTED | | |
| 9. | 03-074 | REP BY 826-326C OR -327C | | |
| 10. | 04-003 | REP BY 826-326C OR -327C | | |
| 11. | 10-042 | ITG SPACER | | |
| 12. | 05-005 | ITG OUTPUT OIL SEAL | | |
| 13. | 08-005A | ITG OUTPUT CAP GASKET 0.25 | | |
| 14. | 08-005B | ITG OUTPUT CAP GASKET 0.10 | | |
| 15. | 20-003 | ITG OUTPUT CAP | | |
| 16. | 07-007 | ITG WASHER | | |
| 17. | 11-007 | ITG 1"-14 SLOTTED HEX NUT | | |
| 18. | 12-003 | ITG COTTER PIN | | |
| 19. | 06-012 | ITG M10 X 1.5 X 25 CAP SCREW | | |
| 20. | 07-001 | RPBY 804-158C | | |
| 21. | 02-035 | ITG INPUT SHAFT | | |
| 22. | 03-075 | ITG 48 TOOTH INPUT GEAR | | |
| 23. | 05-002 | ITG INPUT OIL SEAL | | |
| 24. | 09-009 | ITG CAP PLUG | | |

Gearbox Left Deck (826-206C) OMNI (S/N 211887 to 368117)

Applies to AFM4016 and AFM40200 (S/N 147000+)



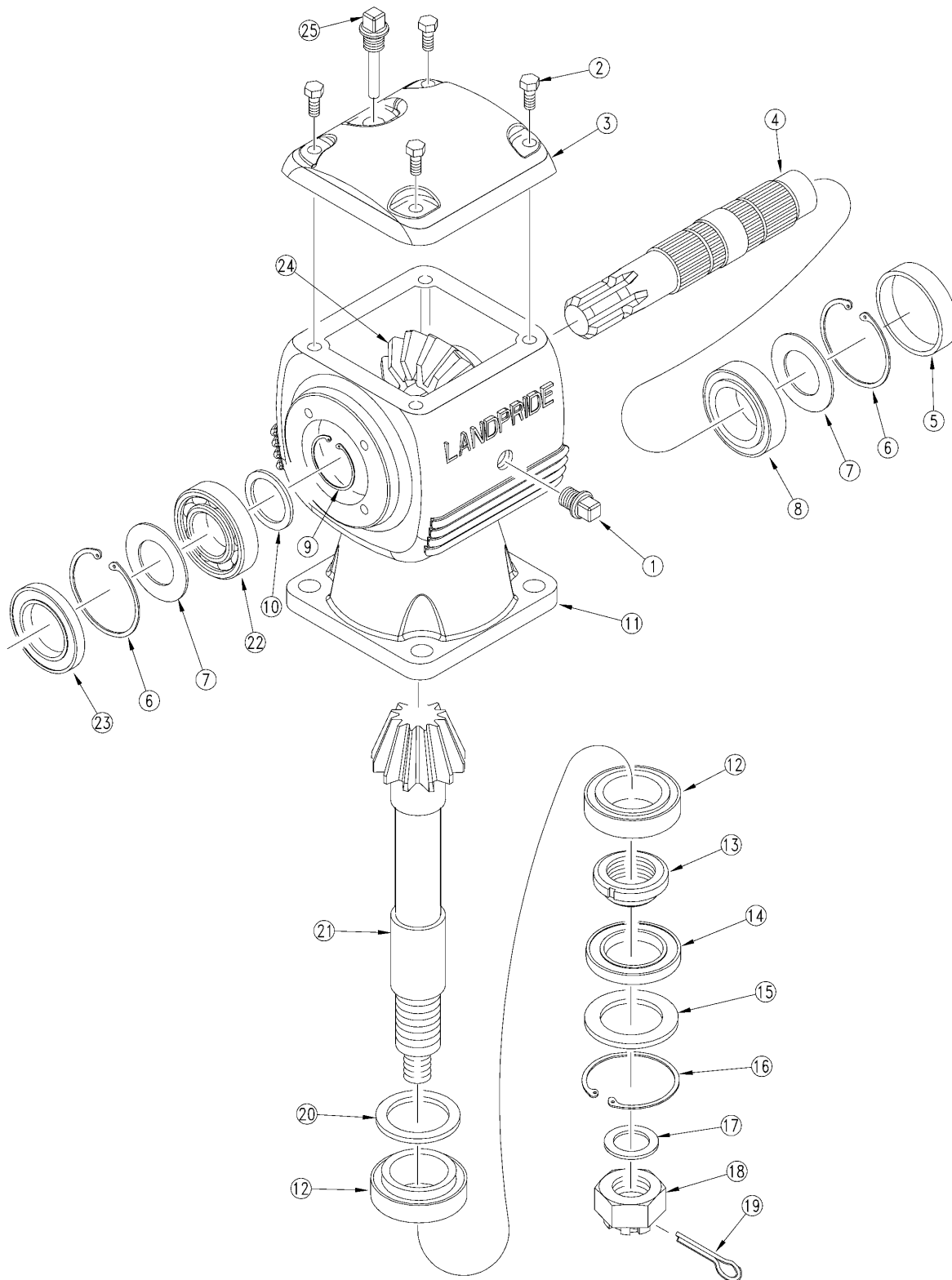
15934

Gearbox Left Deck (826-206C) OMNI (S/N 211887 to 368117)**Applies to AFM4016 and AFM40200 (S/N 147000+)**

| Ref | Part No. | Part Description | Comments | Revision |
|-----|----------|--------------------------------|---------------|------------------------------|
| | dwg15934 | Drawing Image Number | | |
| | 826-206C | REP BY 826-296C | | |
| 1. | 110192 | OMNI SCREW-5/16"-18UNC X 7/8" | | |
| 2. | 130006 | REP BY 804-009C | | |
| 3. | 020224 | OMNI CAP-INPUT | | |
| 4. | 070249 | OMNI GASKET-INPUT 0.50MM | | |
| 5. | 070248 | OMNI GASKET-INPUT 0.30MM | | |
| 6. | 070247 | OMNI GASKET-INPUT 0.20MM | | |
| 7. | 070246 | OMNI GASKET-INPUT 0.10MM | | |
| 8. | 060127 | OMNI SEAL-INPUT CR13930 | | |
| 9. | 050170 | REP BY 822-167C (SET) | | |
| 10. | 050172 | REP BY 822-167C (SET) | | |
| 11. | 200140 | OMNI RTNG. RING 38MM RC DSH-38 | | |
| 12. | 040335 | OMNI SHAFT-INPUT 1-3/8"-6 SPLN | | |
| 13. | 200141 | OMNI RTNG. RING 38MM RC DSH-38 | | |
| 14. | 030457 | OMNI GEAR INPUT, 34T | | |
| 15. | 090181 | OMNI SHIM INPUT 0.30MM | | |
| 16. | 090180 | OMNI SHIM INPUT 0.20MM | | |
| 17. | 090179 | REP BY 090180 | | |
| 18. | 110009 | OMNI SCREW-1/4"-20 UNC X 3/4" | | |
| 19. | 130028 | OMNI LOCKWASHR 1/4" SPLIT TYPE | | |
| 20. | 240280 | OMNI INSPECTION COVER | | |
| 21. | 010175 | OMNI HOUSING-RC-25 | | |
| 22. | 140047 | OMNI PLUG SQ.HD.1/2-14NPT W/DP | | |
| 23. | 140000 | OMNI PIPE PLUG 1/2' SQ HEAD | (S/N 215411+) | Rev. 2 not compat. w/Rev. 1. |
| 23. | 140033 | OMNI PLUG VENT 1/2-14 NPTF | (S/N 215410-) | Rev. 1 |
| 24. | 030456 | OMNI PINION-OUTPUT 12T | | |
| 25. | 090182 | REP BY 090183 | | |
| 26. | 090183 | OMNI SHIM OUTPUT 0.20MM | | |
| 27. | 090184 | OMNI SHIM OUTPUT 0.30MM | | |
| 28. | 050197 | REP BY 822-191C | | |
| 29. | 050195 | REP BY 822-191C | | |
| 30. | 090185 | OMNI SPACER OUTPUT | | |
| 31. | 090186 | OMNI SHIM OUTPUT 0.10MM | | |
| 32. | 090187 | OMNI SHIM OUTPUT 0.20MM | | |
| 33. | 090188 | OMNI SHIM OUTPUT 0.30MM | | |
| 34. | 200000 | OMNI RETAINING RING | | |
| 35. | 070250 | OMNI GASKET-OUTPUT 0.10MM | | |
| 36. | 070253 | OMNI GASKET-INPUT 0.50MM | | |
| 37. | 070252 | OMNI GASKET-INPUT 0.30MM | | |
| 38. | 070251 | OMNI GASKET-INPUT 0.20MM | | |
| 39. | 060128 | OMNI SEAL-OUTPUT CR15822 | | |
| 40. | 020225 | OMNI CAP-OUTPUT | | |
| 41. | 120050 | OMNI NUT HEX SLOTTED, 1-14UNC | | |
| 42. | 100001 | OMNI COTTER PIN 5 X 50 | | |
| 43. | 140017 | OMNI PLUG PIPE SQ HD1/8-27NPTF | | |

Gearbox Left Deck (826-326C) Comer (S/N 368118+)

Applies to AFM4016 and AFM40200 (S/N 147000+)



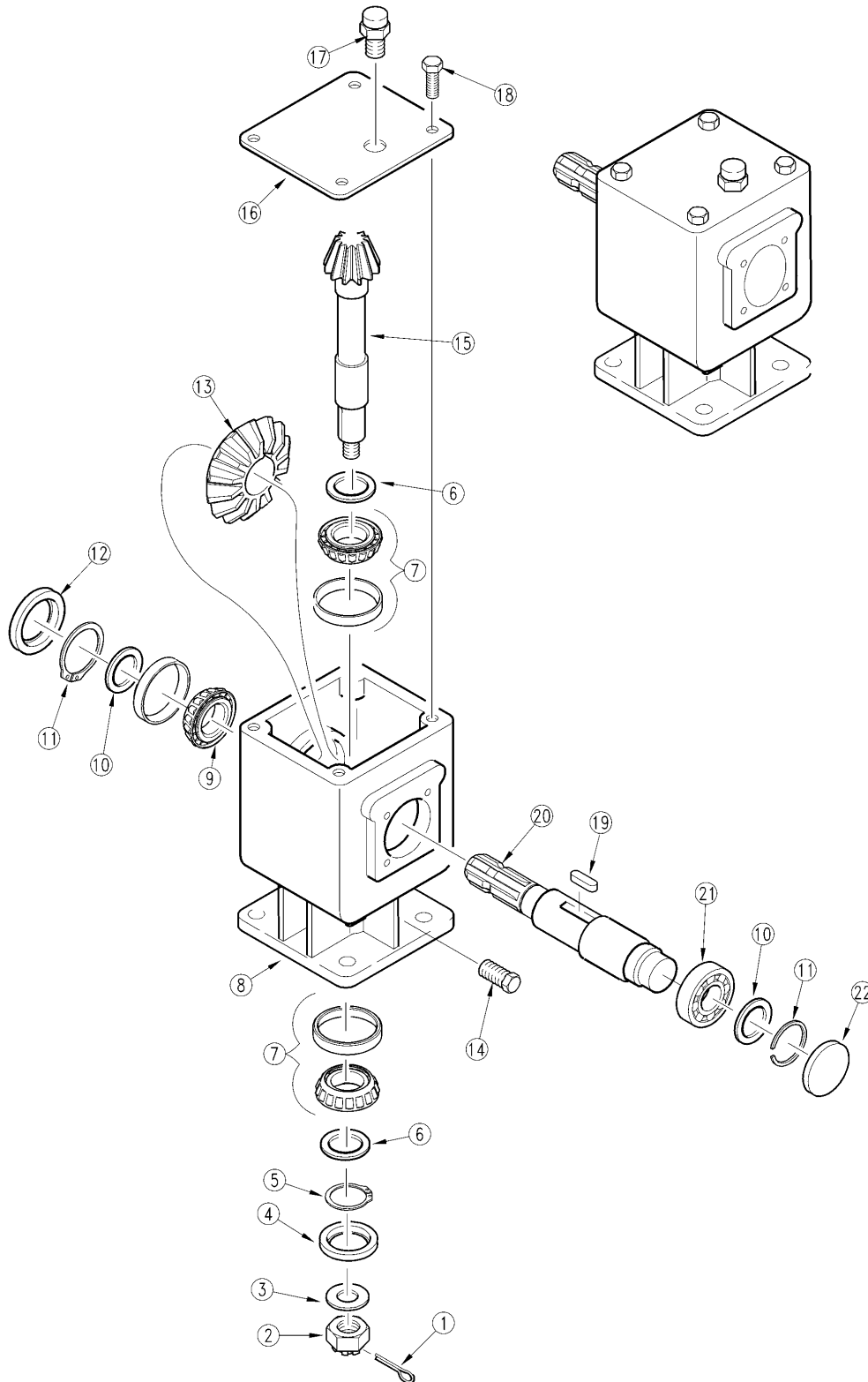
19549

Gearbox Left Deck (826-326C) Comer (S/N 368118+)**Applies to AFM4016 and AFM40200 (S/N 147000+)**

| Ref | Part No. | Part Description | Comments | Revision |
|------------|-----------------|--------------------------------|-----------------|-----------------|
| | dwg19549 | Drawing Image Number | | |
| | 826-326C | GBOX MOWER 50 HP 1:2.8 CW | | |
| 1. | 8.6.5.00006 | CO OIL PLUG 3/8 | | |
| 2. | 8.1.1.00501 | CO BOLT M8X22 HHB | | |
| 3. | 0.195.1300.00 | CO COVER | | |
| 4. | 0.195.2000.00 | CO INPUT SHAFT 1" 3/8 Z6 | | |
| 5. | 8.7.0.00744 | CO CAP 72 X 10 | | |
| 6. | 8.5.2.00131 | CO SNAP RING INT 72 UN17437 | | |
| 7. | A.248.500 | COMER SHIM KIT 71.7 | | |
| 8. | 8.0.9.00026 | CO ROLLER BEARING 30207 CL-B | | |
| 9. | 8.5.1.00680 | CO SNAP RING 40 UNI 7436 | | |
| 10. | 0.259.7525.00 | CO SHIM 35.3 X 48 X 2.5 | | |
| 11. | 0.195.0300.00 | CO HOUSING | | |
| 12. | 8.0.9.00102 | CO ROLLER BEARING 32208 CL-B | | |
| 13. | 0.278.7103.00 | CO NUT M40 X 1.5 | | |
| 14. | 8.7.3.00081 | CO OIL SEAL 35 X 80 X 10 RTA35 | | |
| 15. | 1.195.7100.00 | CO PROTECTIVE FLAT WASHER | | |
| 16. | 8.5.3.00955 | CO SNAP RING SB 81 | | |
| 17. | 8.3.2.00409 | CO FLAT WASHER 25 X 44 X 4 | | |
| 18. | 8.2.2.01144 | NUT CASTLE M 24 X 2 | | |
| 19. | 8.4.7.00516 | CO COTTER PIN B5 X 50 | | |
| 20. | A244.501 | CO SHIM 40.3 X 51.5 826-067C | | |
| 21. | 0.195.5000.00 | CO PINION Z12 M4.7 | | |
| 22. | 822-166C | BEARING BALL 6207 | | |
| 23. | 8.7.3.00055 | CO OIL SEAL 35 X 72 X 10 | | |
| 24. | 0.195.6000.00 | CO CROWN GEAR Z33 M4.7 | | |
| 25. | U0.195.7101.00 | CO OIL LEVEL PLUG 3/8" GAS | | |

Gearbox Right Deck (826-122C) Comer (S/N 211886-)

Applies to AFM4016 and AFM40200 (S/N 147000+)



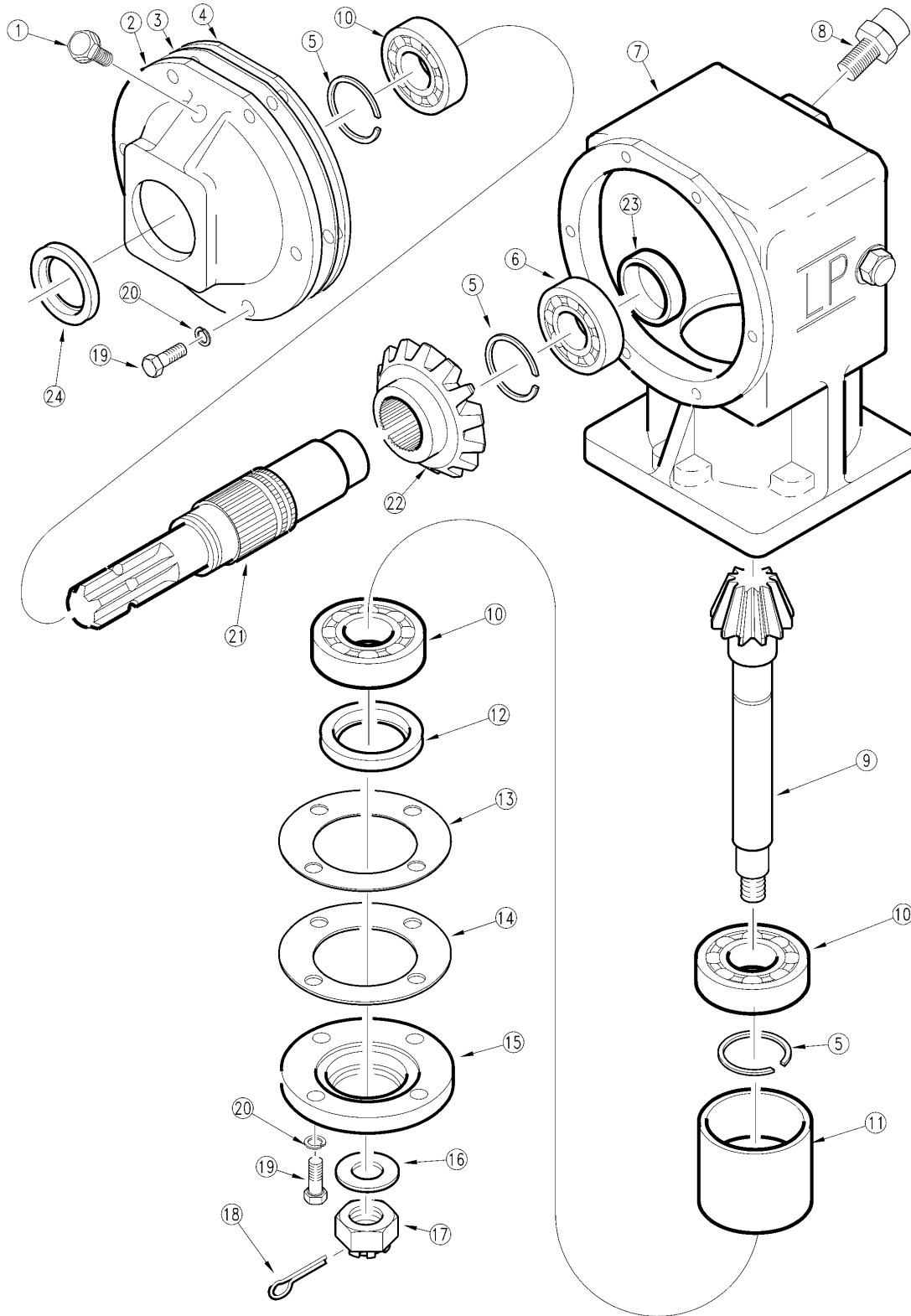
13714

Gearbox Right Deck (826-122C) Comer (S/N 211886-)**Applies to AFM4016 and AFM40200 (S/N 147000+)**

| Ref | Part No. | Part Description | Comments | Revision |
|------------|-----------------|-----------------------------|-----------------|---------------------|
| | dwg13714 | Drawing Image Number | | |
| | 826-122C | RPBY 826-205C | | |
| 1. | 8.4.7.00516 | CO COTTER PIN M5 X 50 | | |
| 2. | 8.2.2.01144 | NUT M 24 X 2 | | |
| 3. | 8.3.2.00409 | FLAT WASHER 24 X 44 X 4 | | |
| 4. | 8.7.3.00027 | CO OIL SEAL 40 X 80 X 10 | | |
| 5. | 8.5.1.00680 | CO SNAP RING 40 UNI 7436 | | |
| 6. | A.244.500 | COMER SHIM KIT 51.5 | | |
| 7. | 8.0.9.00024 | CO BEARING 30208 | | |
| 8. | 0.151.0300.00 | CO GEARBOX HOUSING LF-151A | | |
| 9. | 8.0.9.00026 | REP BY 822-167C (SET) | | |
| 10. | A.248.500 | COMER SHIM KIT 71.7 | | |
| 11. | 8.5.2.00131 | CO SNAP RING INT 72 UN17437 | | |
| 12. | 8.7.3.00055 | CO OIL SEAL 35 X 72 X 10 | | |
| 13. | 0.151.5201.00 | CO GEAR Z34 M4.55 | | |
| 14. | 8.6.5.00006 | CO OIL PLUG 3/8 | | |
| 15. | 0.151.6208.00 | CO PINION Z34 M4.55 | | |
| 16. | 0.140.1300.00 | CO GEARBOX TOP COVER | | |
| 17. | 0.286.7100.00 | REP BY 8.6.7.00269 | | |
| 18. | 8.1.1.00343 | CO BOLT M8 X 14 8.8 | | |
| 19. | 8.4.1.01141 | CO PAR. KEY M 12 X 8 X 30 | | |
| 20. | 0.151.2000.00 | CO SHAFT 1 3/8-6 CCW | | |
| 21. | 822-166C | BEARING BALL 6207 | | Rev. 2 |
| 21. | 8.0.1.00870 | RPBY 822-166C | | Rev 1; Use up stock |
| 22. | 8.7.0.00744 | CO CAP 72 X 10 | | |

Gearbox Right Deck (826-122C) ITG (S/N 211886-)

Applies to AFM4016 and AFM40200 (S/N 147000+)



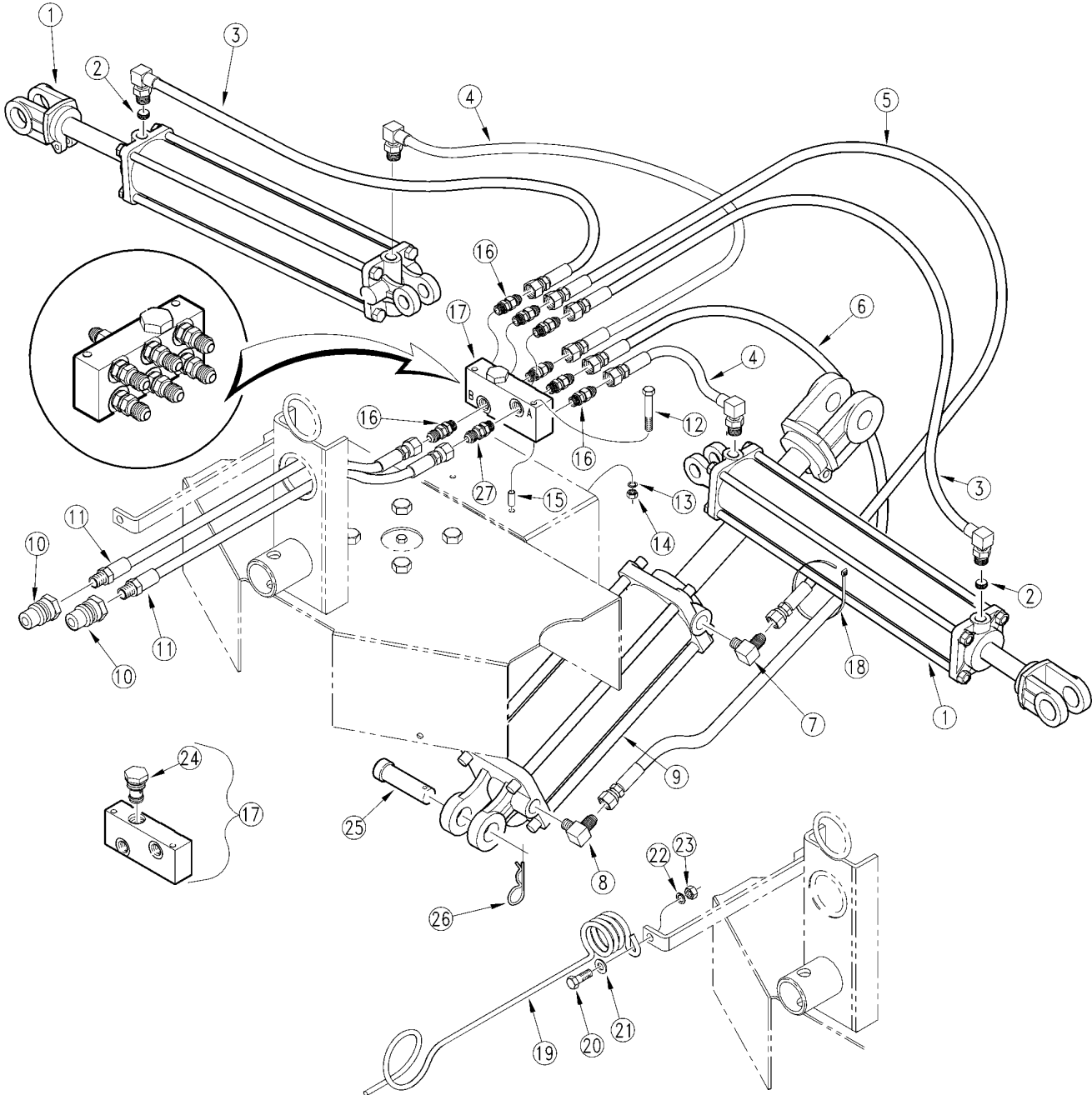
13814

Gearbox Right Deck (826-122C) ITG (S/N 211886-)**Applies to AFM4016 and AFM40200 (S/N 147000+)**

| Ref | Part No. | Part Description | Comments | Revision |
|-----|----------|--------------------------------|----------|---------------------|
| | dwg13814 | Drawing Image Number | | |
| | 826-122C | RPBY 826-205C | | |
| 1. | 09-012 | ITG M18 X 1.5P PLUG (NON-VENT) | | |
| 2. | 20-031 | ITG INPUT HUB CAP | | |
| 3. | 08-030 | ITG GASKET (0.30) | | |
| 4. | 08-031 | ITG GASKET (0.13) | | |
| 5. | 21-012 | ITG RETAINING RING | | |
| 6. | 822-166C | BEARING BALL 6207 | | Rev. 2 |
| 6. | 04-004 | RPBY 822-166C | | Rev 1; Use up stock |
| 7. | 18-035 | ITG G-BOX HOUSING | | |
| 8. | 09-011 | ITG M18 X 1.5P PLUG VENTED | | |
| 9. | 03-074 | REP BY 826-326C OR -327C | | |
| 10. | 04-003 | REP BY 822-188C | | |
| 11. | 10-042 | ITG SPACER | | |
| 12. | 05-005 | ITG OUTPUT OIL SEAL | | |
| 13. | 08-005A | ITG OUTPUT CAP GASKET 0.25 | | |
| 14. | 08-005B | ITG OUTPUT CAP GASKET 0.10 | | |
| 15. | 20-003 | ITG OUTPUT CAP | | |
| 16. | 07-007 | ITG WASHER | | |
| 17. | 11-007 | ITG 1"-14 SLOTTED HEX NUT | | |
| 18. | 12-003 | ITG COTTER PIN | | |
| 19. | 06-012 | ITG M10 X 1.5 X 25 CAP SCREW | | |
| 20. | 07-001 | RPBY 804-158C | | |
| 21. | 02-034 | ITG INPUT SHAFT | | |
| 22. | 03-075 | ITG 48 TOOTH INPUT GEAR | | |
| 23. | 09-009 | ITG CAP PLUG | | |
| 24. | 05-002 | ITG INPUT OIL SEAL | | |

Hydraulic Arrangement

Applies to AFM4016 and AFM40200 (S/N 147000+)



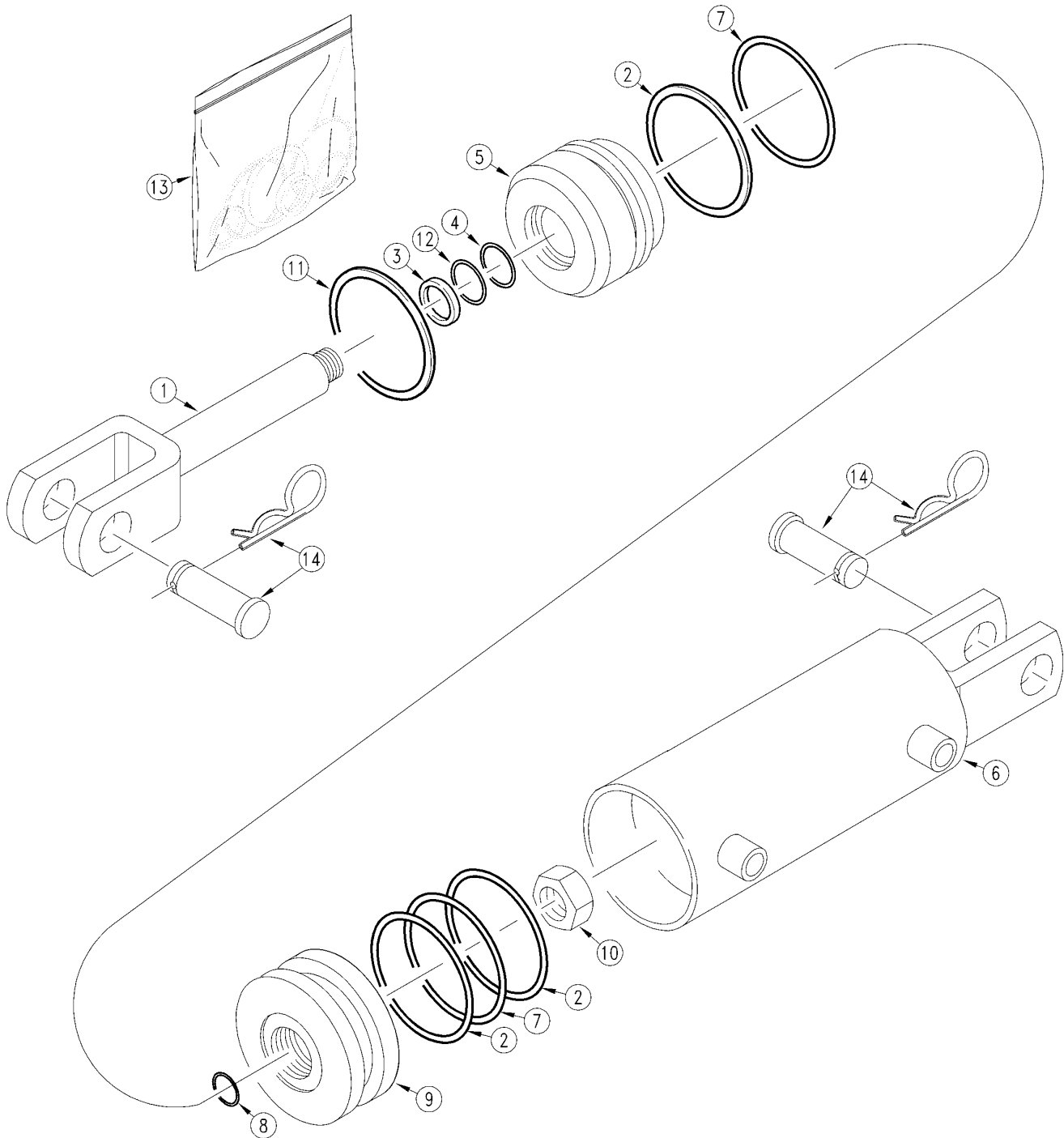
13562

Hydraulic Arrangement**Applies to AFM4016 and AFM40200 (S/N 147000+)**

| Ref | Part No. | Part Description | Comments | Revision |
|-----|----------|--------------------------------|---------------|------------------------------|
| | dwg13562 | Drawing Image Number | | |
| 1. | 810-150C | CYL 2.5X12X1.25 ROD (TIE ROD) | | |
| 2. | 811-447C | ORPL 1/32 9/16MORB | (S/N 231067-) | |
| 3. | 811-445C | HH1/4R2 035 9/16FJIC 3/8MORB90 | | |
| 4. | 811-444C | HH1/4R2 020 9/16FJIC 3/8MORB90 | | |
| 5. | 811-442C | HH1/4R2 028 9/16FJIC | | |
| 6. | 811-443C | HH1/4R2 036 9/16FJIC | | |
| 7. | 811-065C | EL 9/16MJIC 9/16MORB | (S/N 198510+) | Rev. 2 not compat. w/Rev. 1. |
| 7. | 811-332C | OREL 1/32 9/16MJIC 3/8MNPT | (S/N 198509-) | Rev. 1 |
| 8. | 811-065C | EL 9/16MJIC 9/16MORB | (S/N 198510+) | Rev. 2 not compat. w/Rev. 1. |
| 8. | 811-119C | EL 3/8MNPT 9/16MJIC | (S/N 198509-) | Rev. 1 |
| 9. | 810-200C | CYL 2.5X8X1.12 ROD (TIE)1 PIN | (S/N 198510+) | Rev. 2 not compat. w/Rev. 1. |
| 9. | 810-005C | CYL 2X8X1.12 ROD SINGLE ACTING | (S/N 198509-) | Rev. 1 |
| 10. | 811-394C | CP 3/4FORB MALE QD | | |
| 11. | 811-441C | HH1/4R2 096 9/16FJIC 3/4 MORB | | |
| 12. | 802-451C | HHCS 1/4-20X4 GR5 | | Rev. 2 |
| 12. | 802-308C | HHCS 1/4-20X3 1/4 GR5 | | Rev 1; Use up stock |
| 13. | 804-006C | WASHER LOCK SPRING 1/4 PLT | | |
| 14. | 803-006C | NUT HEX 1/4-20 PLT | | |
| 15. | 315-743D | SPCR 1/2 OD X .28ID X 1 3/8 | | Rev. 2 |
| 15. | 315-492D | SPCR 1/2 OD X .28 ID X 5/8 | | Rev 1; Use up stock |
| 16. | 811-170C | AD 9/16MORB 9/16MJIC | | |
| 17. | 811-495C | SP-8 PORT RELIEF 9/16-18FORB | | |
| 18. | 800-060C | CABLE TIE .19X14.25 3DIA 50LB | | |
| 19. | 807-023C | SPRING HOSE LOOP | (SN 176350+) | |
| 20. | 802-079C | HHCS 3/8-16X1 1/4 GR5 | (SN 176350+) | |
| 21. | 804-012C | WASHER FLAT 3/8 SAE PLT | (SN 176350+) | |
| 22. | 804-013C | WASHER LOCK SPRING 3/8 PLT | (SN 176350+) | |
| 23. | 803-014C | NUT HEX 3/8-16 PLT | (SN 176350+) | |
| 24. | 8026 | SHMKR CRTRDG RELIEF VALVE ASSY | | Rev. 2 |
| 24. | 1497 | RPBY 8026 | | Rev 1; Use up stock |
| 25. | 805-004C | PIN CLEVIS 1 X 2 3/4 USABLE LG | | |
| 26. | 805-088C | PIN, HAIR COTTER 3/16 WIRE DIA | | |
| 27. | 811-694C | ORAD 1/32 9/16MORB 9/16MJIC | (S/N 231068+) | Rev. 2 not compat. w/Rev. 1. |
| 27. | 811-170C | AD 9/16MORB 9/16MJIC | (S/N 231067-) | Rev. 1 |

Hydraulic Cylinder (810-005C)

Applies to AFM4016 and AFM40200 (S/N 147000+)



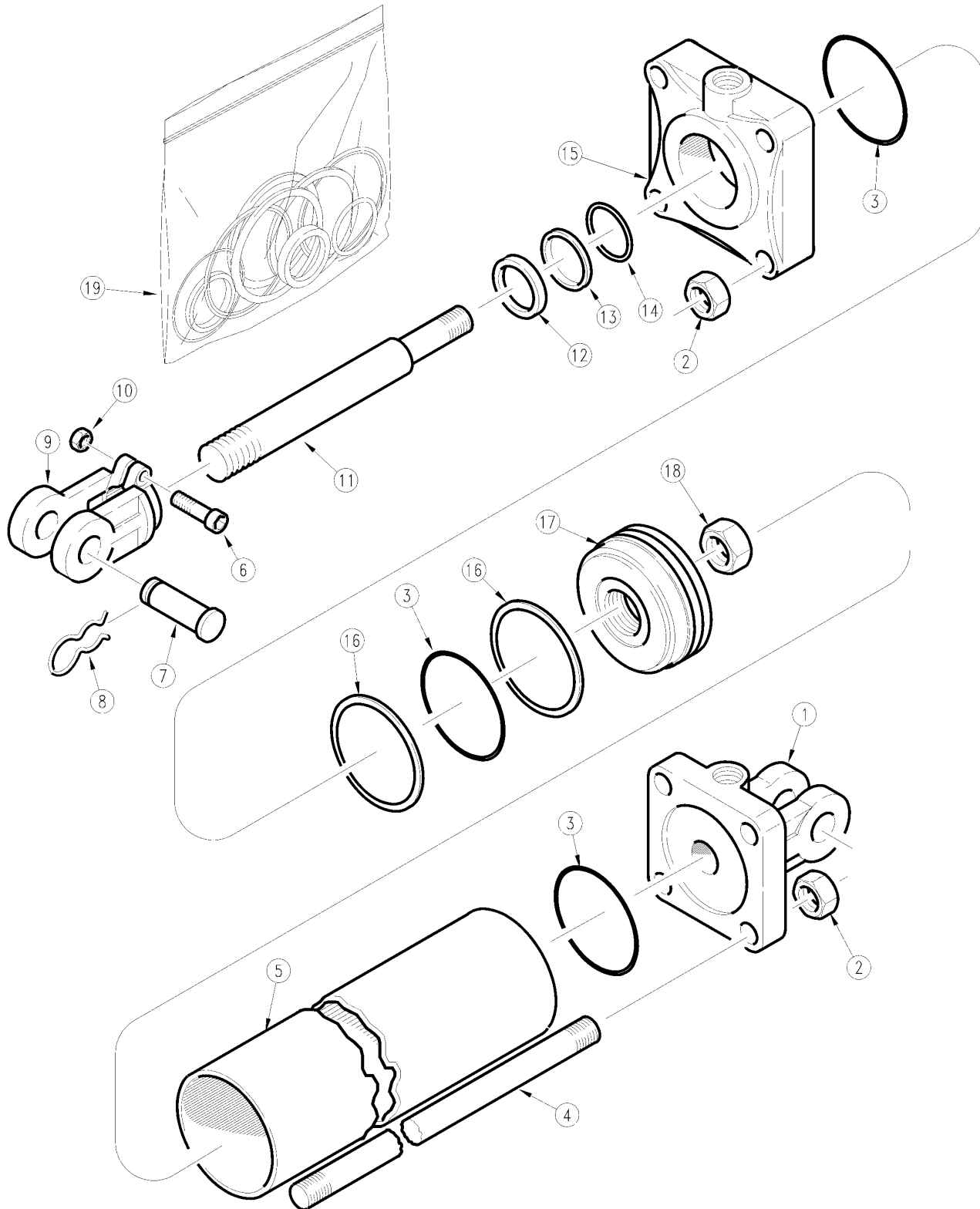
14078

Hydraulic Cylinder (810-005C)**Applies to AFM4016 and AFM40200 (S/N 147000+)**

| Ref | Part No. | Part Description | Comments | Revision |
|-----|----------|--------------------------------|---------------------------|----------|
| | dwg14078 | Drawing Image Number | | |
| | 810-005C | CYL 2X8X1.12 ROD SINGLE ACTING | | |
| 1. | 0A002526 | EGY PISTON ROD | | |
| 2. | | BACKUP RING 2" OD | Only found in seal kit 13 | |
| 3. | | WIPER ROD | Only found in seal kit 13 | |
| 4. | | O-RING 1 1/8" ID X 1 3/8"OD | Only found in seal kit 13 | |
| 5. | 0A001906 | EGY PISTON ROD GUIDE | | |
| 6. | 0B000988 | EGY CYLINDER BODY | | |
| 7. | | O-RING 1 5/8" ID X 2"OD | Only found in seal kit 13 | |
| 8. | | O-RING 3/4" ID X 7/8" OD | Only found in seal kit 13 | |
| 9. | 0A001845 | EGY PISTON | | |
| 10. | 00082464 | EGY 7/8-14UNF REG HEX LOCK NUT | | |
| 11. | 00083198 | EGY RETAINER RING INTERNAL | | |
| 12. | | BACKUP RING 1 3/8" OD | Only found in seal kit 13 | |
| 13. | 0A001665 | CYL SEAL KIT 2 X 8 (ENERGY) | | |
| 14. | 805-004C | PIN CLEVIS 1 X 2 3/4 USABLE LG | | |

Hydraulic Cylinder (810-150C) Cross

Applies to AFM4016 and AFM40200 (S/N 147000+)



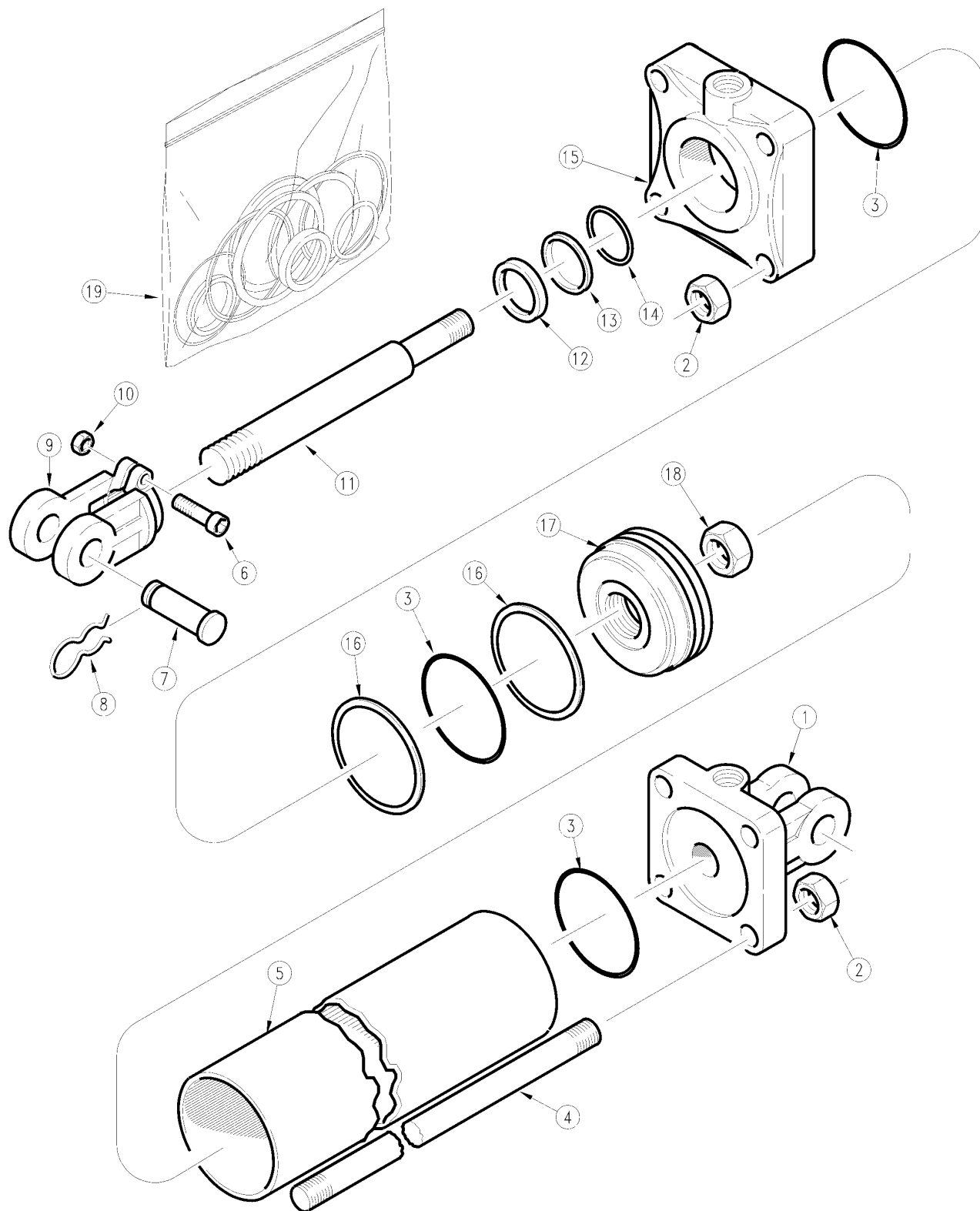
11421

Hydraulic Cylinder (810-150C) Cross**Applies to AFM4016 and AFM40200 (S/N 147000+)**

| Ref | Part No. | Part Description | Comments | Revision |
|------------|-----------------|-------------------------------|---------------------------|-----------------|
| | dwg11421 | Drawing Image Number | | |
| | 810-150C | CYL 2.5X12X1.25 ROD (TIE ROD) | | |
| 1. | 1D1505-3 | BASE CROSS | | |
| 2. | 2A0235-6 | CROSS NUT, CLEVIS & TIE ROD | | |
| 3. | | O- RING | Only found in seal kit 19 | |
| 4. | 2A0578-1675 | TIE ROD CROSS | | |
| 5. | 1D0005-1450 | TUBE CROSS | | |
| 6. | 2A0079-616 | CROSS SCREW, CAP | | |
| 7. | 1D1551-16275 | CROSS CLEVIS PIN | | |
| 8. | 2A0308-1 | REP BY 805-032C | | |
| 9. | 1D1003-5 | CROSS ROD CLEVIS | | |
| 10. | 2A0235-6 | CROSS NUT, CLEVIS & TIE ROD | | |
| 11. | 1D0206-1675 | ROD CROSS | | |
| 12. | | WIPER | Only found in seal kit 19 | |
| 13. | | BACKUP ROD | Only found in seal kit 19 | |
| 14. | | O- RING | Only found in seal kit 19 | |
| 15. | 1D1155-17 | HEAD CROSS | | |
| 16. | | BACKUP PISTON | Only found in seal kit 19 | |
| 17. | 1D1401-250 | PISTON CROSS | | |
| 18. | 2A0246-12 | CROSS NUT, PISTON | | |
| 19. | 810-178C | SEAL KIT CROSS 2.5 CYL 1C4982 | | |

Hydraulic Cylinder (810-150C) Midway

Applies to AFM4016 and AFM40200 (S/N 147000+)



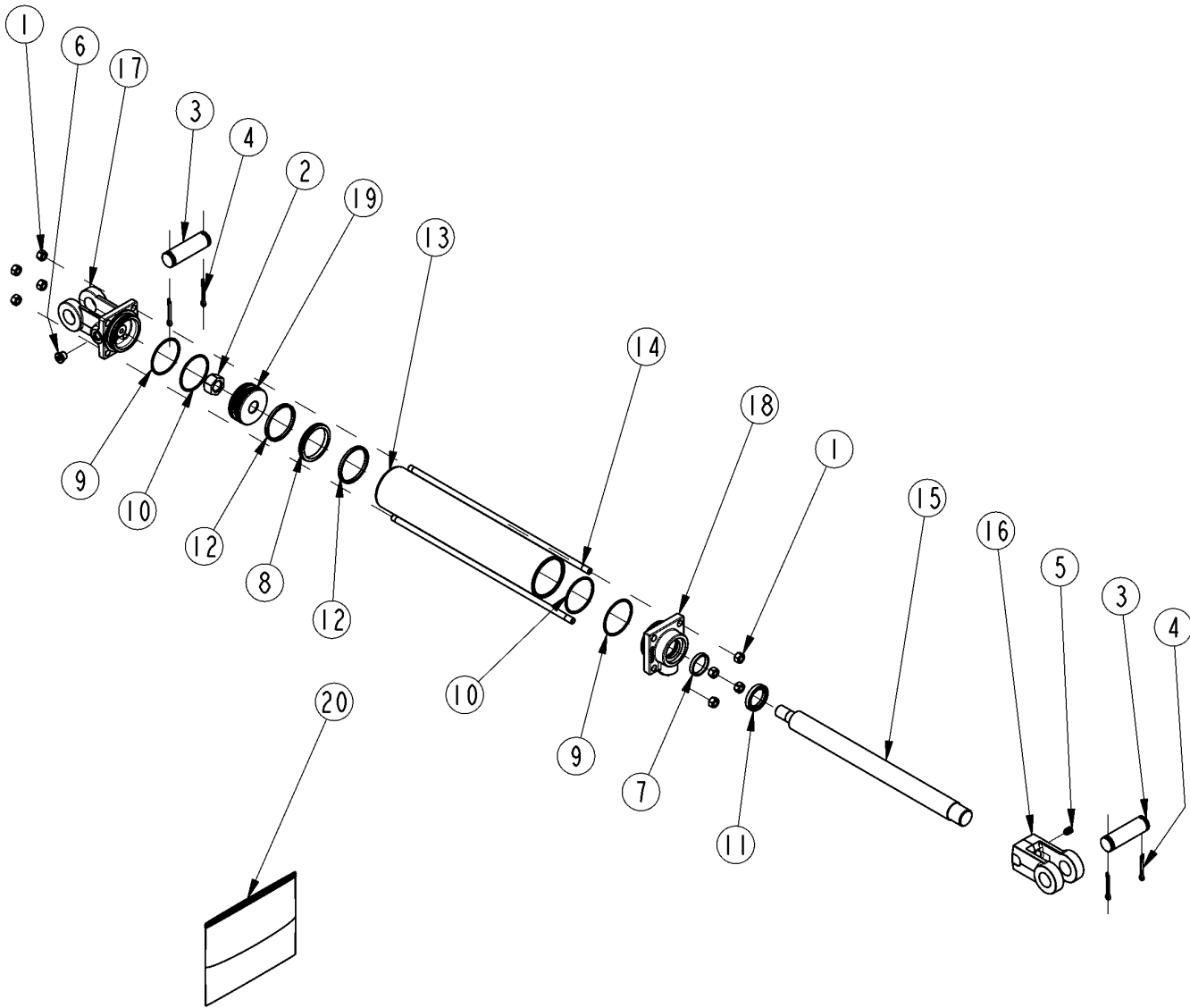
11421

Hydraulic Cylinder (810-150C) Midway**Applies to AFM4016 and AFM40200 (S/N 147000+)**

| Ref | Part No. | Part Description | Comments | Revision |
|------------|-----------------|--------------------------------|---------------------------|-----------------|
| | dwg11421 | Drawing Image Number | | |
| | 810-150C | CYL 2.5X12X1.25 ROD (TIE ROD) | | |
| 1. | 6M3118 | MW BASE | | |
| 2. | 2A0012 | MW NUT CLEVIS & TIE ROD | | |
| 3. | | O- RING | Only found in seal kit 19 | |
| 4. | 7M3320 | MW TIE ROD | | |
| 5. | 5M3120 | MW TUBE | | |
| 6. | 2A0006 | REPL. BY 802-023C | | |
| 7. | 2A0208 | MW CLEVIS PIN | | |
| 8. | 2A0132 | MW PIN CLIP | | |
| 9. | 1M6010 | MW CLEVIS STD. DUTY | | |
| 10. | 2A0012 | MW NUT CLEVIS & TIE ROD | | |
| 11. | 2M3418 | MW ROD | | |
| 12. | | WIPER | Only found in seal kit 19 | |
| 13. | | BACKUP ROD | Only found in seal kit 19 | |
| 14. | | O- RING | Only found in seal kit 19 | |
| 15. | 3M3406 | MW HEAD | | |
| 16. | | BACKUP PISTON | Only found in seal kit 19 | |
| 17. | 4M3102 | REPL. BY 4M3108 | | |
| 18. | 2A0022 | MW NUT, PISTON | | |
| 19. | 810-177C | SEAL KIT MW 2.5X1.25ROD 3A3104 | | |

Hydraulic Cylinder (810-150C) Red Lion

Applies to AFM4016 and AFM40200 (S/N 147000+)



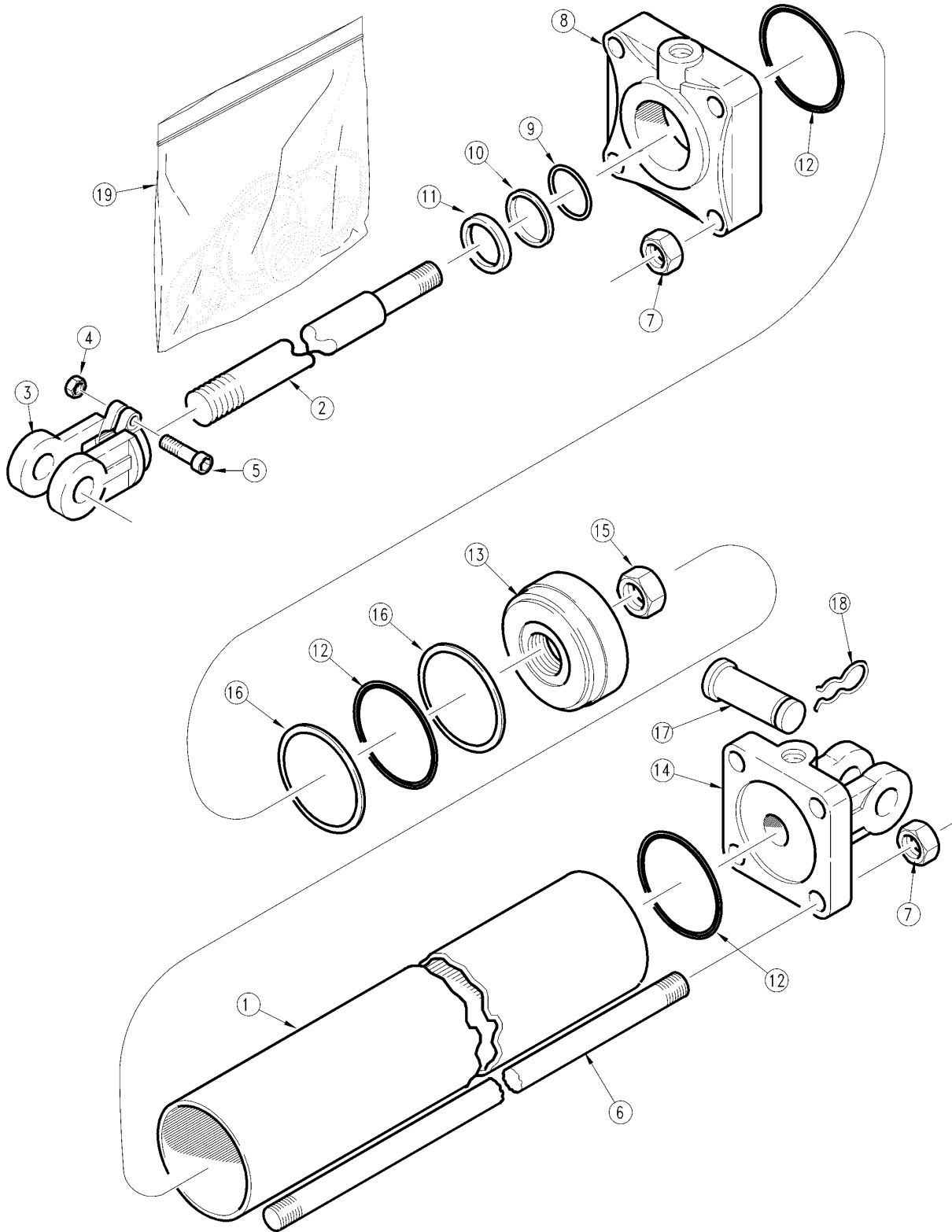
25899

Hydraulic Cylinder (810-150C) Red Lion**Applies to AFM4016 and AFM40200 (S/N 147000+)**

| Ref | Part No. | Part Description | Comments | Revision |
|------------|-----------------|------------------------------------|-----------------------|-----------------|
| | dwg25899 | Drawing Image Number | | |
| | 810-150C | CYL 2.5X12X1.25 ROD (TIE ROD) * | | |
| 1. | 803-014C | NUT HEX 3/8-16 PLT | | |
| 2. | 130556 | MON PISTON NUT | | |
| 3. | 134953 | LION PIN | | |
| 4. | 135995 | MON CLEVIS PIN COTTER | | |
| 5. | 801-023C | SCREW SET SH 3/8-16X3/8 TYPE C | | |
| 6. | 186561 | PLUG 9/16-18UNF MORB SOCKET HD | | |
| 7. | N/A | MON ROD SEAL | Only Found in Kit #20 | |
| 8. | N/A | MON PISTON SEAL | Only Found in Kit #20 | |
| 9. | N/A | MON END CAP BACKUP WASHERS | Only Found in Kit #20 | |
| 10. | N/A | MON END CAP O-RING | Only Found in Kit #20 | |
| 11. | N/A | SEAL WIPER ROD | Only Found in Kit #20 | |
| 12. | N/A | MON PISTON WEAR RING | Only Found in Kit #20 | |
| 13. | 491672 | LION CYL TUBE 2.5 X 12 | | |
| 14. | 492222 | LION TIE ROD 3/8, 12 CYL | | |
| 15. | 492647 | LION ROD 1.25 X 12 | | |
| 16. | 492650 | LION ROD CLEVIS 1 1/8-12UNF | | |
| 17. | 492688 | LION CLEVIS CAP 2.5, 9/16 ORB | | |
| 18. | 492724 | LION ROD CAP 2.5X1.25 9/16 ORB | | |
| 19. | 494768 | MON PISTON | | |
| 20. | 645004 | MON SEALS REPAIR KIT | | |

Hydraulic Cylinder (810-200C) Midway

Applies to AFM4016 and AFM40200 (S/N 147000+)



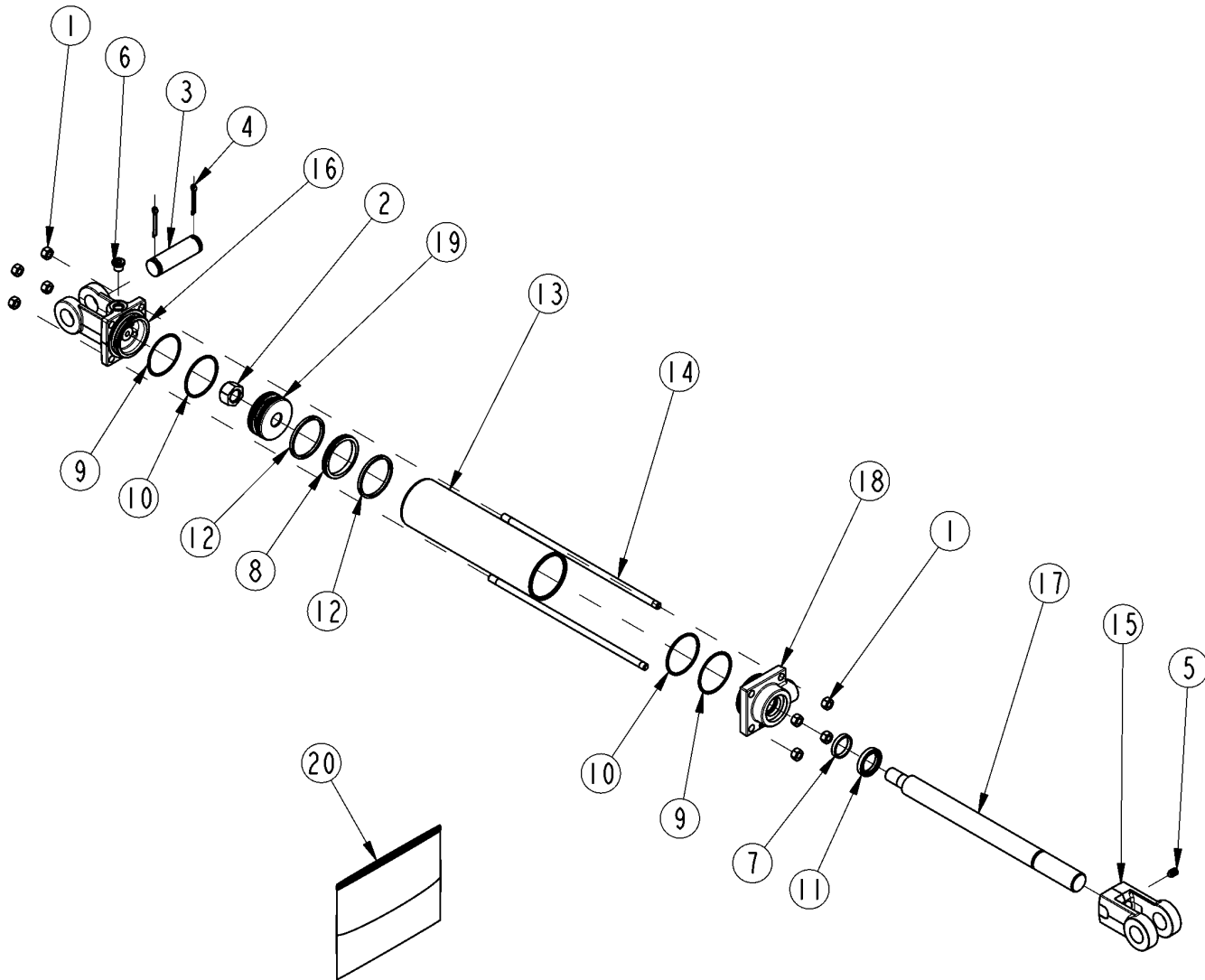
10219

Hydraulic Cylinder (810-200C) Midway**Applies to AFM4016 and AFM40200 (S/N 147000+)**

| Ref | Part No. | Part Description | Comments | Revision |
|------------|-----------------|-------------------------------|---------------------------|---------------------|
| | dwg10219 | Drawing Image Number | | |
| | 810-200C | CYL 2.5X8X1.12 ROD (TIE)1 PIN | | |
| 1. | 5M4124 | MW TUBE 3 X 16 CYLINDER | | |
| 2. | 2M4422 | MW ROD 1-1/4 DIA. X 16 STROKE | | |
| 3. | 1M6010 | MW CLEVIS STD. DUTY | | |
| 4. | 2A0012 | MW NUT CLEVIS & TIE ROD | | |
| 5. | 2A0006 | REPL. BY 802-023C | | |
| 6. | 7M4324 | MW TIE ROD 3 X 16 CYLINDER | | |
| 7. | 2A0014 | MW TIE ROD NUT | | |
| 8. | 3M4410 | REPL. BY 3R1410 | | |
| 9. | | O-RING | Only found in seal kit 19 | |
| 10. | | BACK-UP | Only found in seal kit 19 | |
| 11. | | WIPER SEAL | Only found in seal kit 19 | |
| 12. | | O-RING | Only found in seal kit 19 | |
| 13. | 4M4104 | REPL. BY 4M4108 | | |
| 14. | 6M4152 | REPL. BY 4M4108 | | |
| 15. | 2A0024 | MW PISTON NUT 1"-14 | | |
| 16. | | BACK-UP | Only found in seal kit 19 | |
| 17. | 2A0208 | MW CLEVIS PIN | | |
| 18. | 2A0132 | MW PIN CLIP | | |
| 19. | 810-015C | CYL SEAL KIT 3 X 7 MW 3A4104 | | Rev. 2 |
| 19. | 810-199C | RBV 810-015C | | Rev 1; Use up stock |

Hydraulic Cylinder (810-200C) Red Lion

Applies to AFM4016 and AFM40200 (S/N 147000+)



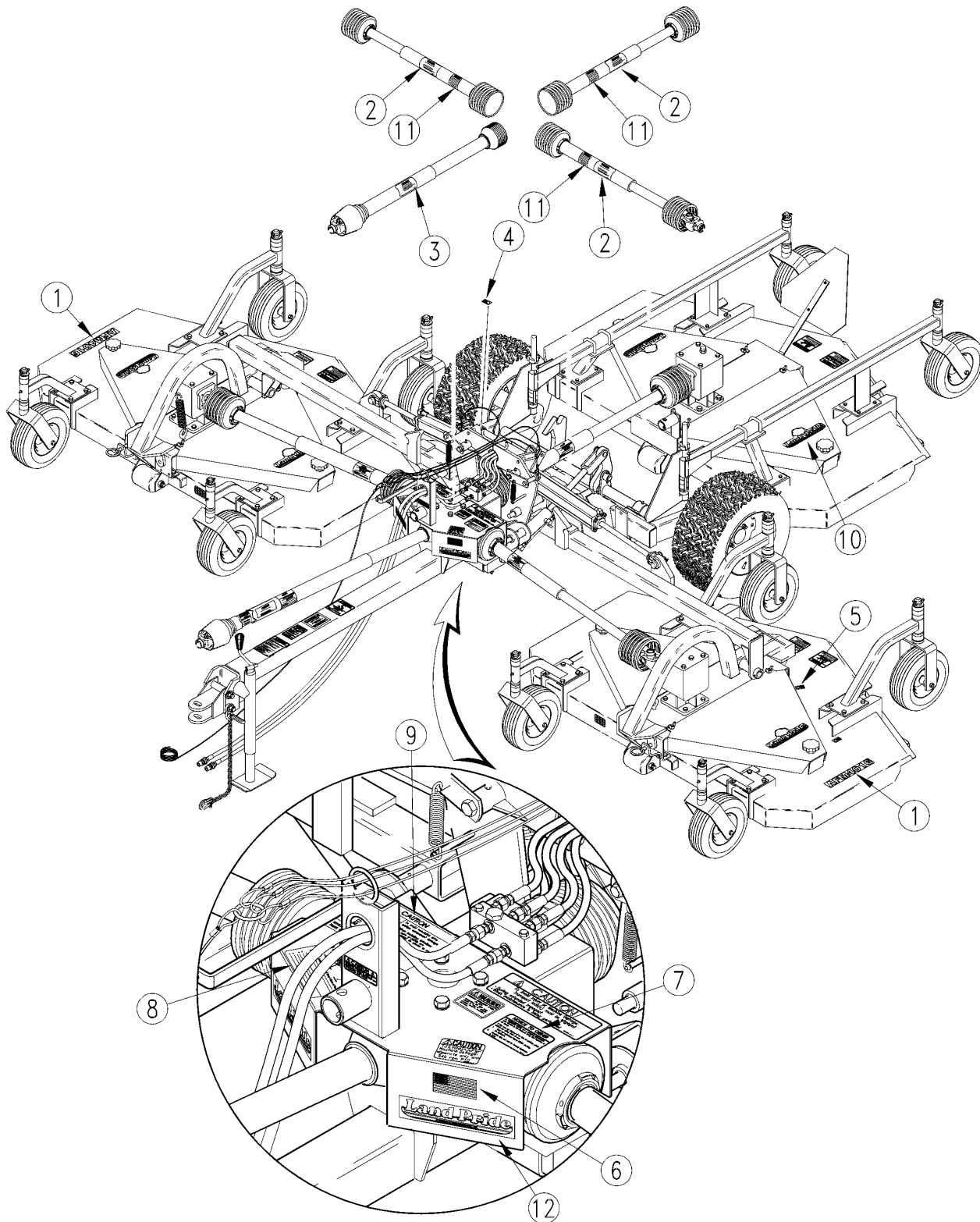
25901

Hydraulic Cylinder (810-200C) Red Lion**Applies to AFM4016 and AFM40200 (S/N 147000+)**

| Ref | Part No. | Part Description | Comments | Revision |
|------------|-----------------|------------------------------------|-----------------------|-----------------|
| | dwg25901 | Drawing Image Number | | |
| | 810-200C | CYL 2.5X8X1.12 ROD (TIE)1 PIN * | | |
| 1. | 803-014C | NUT HEX 3/8-16 PLT | | |
| 2. | 130556 | MON PISTON NUT | | |
| 3. | 134953 | LION PIN | | |
| 4. | 135995 | MON CLEVIS PIN COTTER | | |
| 5. | 801-023C | SCREW SET SH 3/8-16X3/8 TYPE C | | |
| 6. | 186561 | PLUG 9/16-18UNF MORB SOCKET HD | | |
| 7. | N/A | MON ROD SEAL | Only Found in Kit #20 | |
| 8. | N/A | MON PISTON SEAL | Only Found in Kit #20 | |
| 9. | N/A | MON END CAP BACKUP WASHERS | Only Found in Kit #20 | |
| 10. | N/A | MON END CAP O-RING | Only Found in Kit #20 | |
| 11. | N/A | LION WIPER SEAL | Only Found in Kit #20 | |
| 12. | N/A | MON PISTON WEAR RING | Only Found in Kit #20 | |
| 13. | 491668 | LION CYL. TUBE 2.5 X 8 | | |
| 14. | 492218 | LION TIE ROD 3/8, 8 CYL | | |
| 15. | 492650 | LION ROD CLEVIS 1 1/8-12UNF | | |
| 16. | 492688 | LION CLEVIS CAP 2.5, 9/16 ORB | | |
| 17. | 492699 | LION ROD 1.125 ASAE 8 | | |
| 18. | 492711 | LION ROD CAP 2.5X1.125-9/16ORB | | |
| 19. | 494768 | MON PISTON | | |
| 20. | 645004 | MON SEALS REPAIR KIT | | |

Label Placement

Applies to AFM4016 and AFM40200 (S/N 147000+)



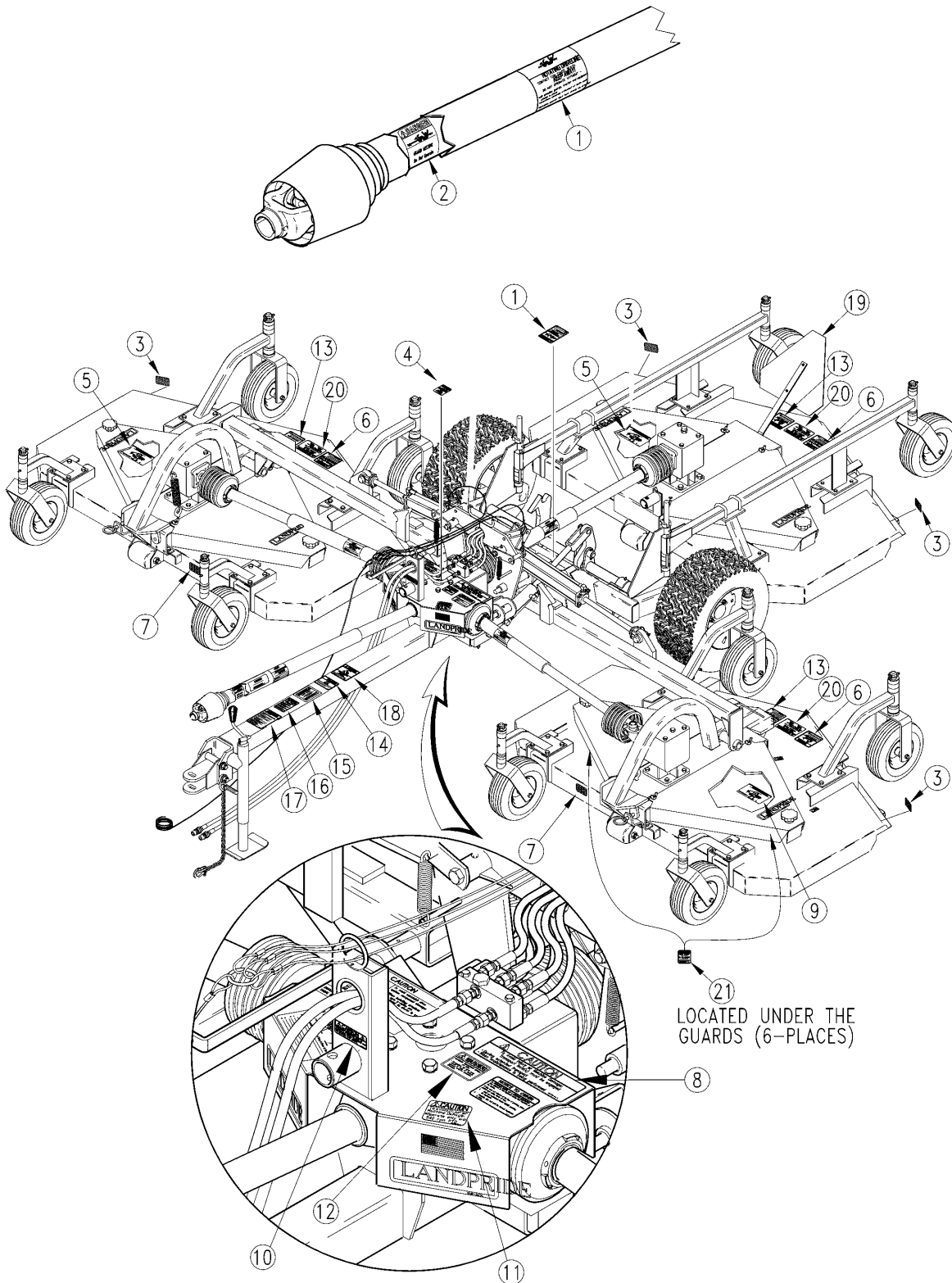
17592

Label Placement**Applies to AFM4016 and AFM40200 (S/N 147000+)**

| Ref | Part No. | Part Description | Comments | Revision |
|-----|----------|----------------------------------|---------------------------------|------------------------------|
| | dwg17592 | Drawing Image Number | | |
| | 315-267A | AFM40200 DECAL PACKAGE (95) | | |
| 1. | 818-921C | DECAL AFM4016-BROWN | (S/N 253841+) Beige Unit | Rev. 3 not compat. w/Rev. 2. |
| 1. | 838-902C | DECAL AFM4016-GOLD | Green, Orange, Red & Blue Unit | |
| 1. | 818-711C | DECAL AFM4016 LP BLACK | (S/N 231068<->253840) | Rev. 2 not compat. w/Rev. 1. |
| 2. | 818-566C | DECAL 40200 -LP BLACK | (S/N 231067-) | Rev. 1 |
| 2. | 818-249C | DECAL PTO 826-064C | | |
| 2. | 818-405C | DECAL GREASE PTO 826-111C | | |
| 3. | 818-515C | DECAL PTO 826-143C | | |
| 4. | 818-298C | DECAL GREASE 25HRS BLACK/WHITE | | |
| 5. | 818-138C | DECAL GREASE EVERY 25 HOURS | | |
| 6. | 818-190C | DECAL FLAG | | |
| 7. | 818-560C | DECAL NOTICE TO OWNER-NO WARRA | | |
| 8. | 818-488C | DECAL PTO MAINTENANCE CV | | |
| 9. | 818-565C | DECAL DRIVELINE TIMING N/CLTCH | (S/N 231068-) | |
| 10. | 818-892C | DECAL LP W/TREE 10" - 3 COLOR | (S/N 253841+) Beige Unit | Rev. 2 not compat. w/Rev. 1. |
| 10. | 838-963C | DECAL LP W/TREE 10" - BROWN/GOLD | Green, Orange, Red & Blue Units | |
| 10. | 818-165C | LP LOGO SMALL BUCKSKIN | (S/N 253840-) | Rev. 1 |
| 11. | 818-680C | DECAL IMPORTANT - SLIP CLUTCH | (S/N 211783+) | |
| 12. | 838-036C | DECAL LANDPRIDE 6"- BEIGE | (S/N 253841+) Beige Unit | Rev. 2 not compat. w/Rev. 1. |
| 12. | 838-967C | DECAL AFM4016-GOLD | Green, Orange, Red & Blue Unit | |
| 12. | 818-165C | LP LOGO SMALL BUCKSKIN | (S/N 253840-) | Rev. 1 |

Safety Label Placement

Applies to AFM4016 and AFM40200 (S/N 147000+)



11271

Safety Label Placement**Applies to AFM4016 and AFM40200 (S/N 147000+)**

| Ref | Part No. | Part Description | Comments | Revision |
|-----|----------|--------------------------------|---------------------------------------|----------|
| | dwg11271 | Drawing Image Number | | |
| | 315-268A | AFM40200 SAFETY DECAL PKG (95) | | |
| 1. | 818-552C | DECAL DANGER PTO DRIVELINE | | |
| 2. | 818-540C | DECAL DANGER GUARD MISS PTO | | |
| 3. | 818-230C | DECAL RED REFLECTOR | | |
| 4. | 818-187C | DECAL DANGER DRIVELINE SHIELD | | |
| 5. | 818-513C | DECAL VB INST CCW C&RH 200/168 | | |
| 6. | 818-555C | DECAL DANGER ROTATE BLADE | | |
| 7. | 818-229C | DECAL AMBER REFLECTOR | | |
| 8. | 818-351C | DECAL CAUTION TRANSP LOCK ENGD | | |
| 9. | 818-514C | DECAL VB INST CW FDR72/200/168 | | |
| 10. | 818-353C | DECAL CAUTION TRANSP LOCK DISE | | |
| 11. | 818-130C | DECAL CAUTION 540 RPM | | |
| 12. | 818-337C | DECAL WARNING 20 MPH TRANS SML | | |
| 13. | 818-556C | DECAL DANGER THROWN OBJ CUTTER | | |
| 14. | 818-557C | DECAL DANGER CANNOT READ ENG | | |
| 15. | 818-019C | DECAL WARNING NEG TONGUE WT | | |
| 16. | 818-339C | DECAL WARNING HIGH PRESSUR SML | | |
| 17. | 818-558C | DECAL WARNING GEN SAFE MOWER | | |
| 18. | 818-561C | DECAL DANGER RAISED WING HAZAR | | |
| 19. | 818-055C | DECAL SLOW MOVING-GALV. BACKED | | |
| 20. | 818-045C | DECAL WARNING PINCH PT/CRUSH | | |
| 21. | 818-543C | DECAL DANGER PD GUARD MISS SML | Beneath all belt guards (S/N 253841+) | |



Part Number Index

The Part Number Index is a numeric index of all part numbers included in this manual. The index shows what page(s) the part is used on.

| Part Number | Page | Part Number | Page | Part Number | Page | Part Number | Page |
|---------------|------------------------|---------------|----------------|-------------|--------------------|----------------|----------------|
| 0.107.7100.01 | 71 | 05-015 | 69 | 1006831 | 27 | 18-033 | 69 |
| 0.140.1300.00 | 81, 89 | 050170 | 73, 75, 77, 85 | 1006865 | 27 | 18-035 | 83, 91 |
| 0.151.0300.00 | 81, 89 | 050172 | 73, 75, 77, 85 | 1014010 | 19 | 1806010 | 31, 33 |
| 0.151.2000.00 | 89 | 050195 | 75, 77, 85 | 1014012 | 19, 23 | 186561 | 101, 105 |
| 0.151.2001.00 | 81 | 050197 | 75, 77, 85 | 11-007 | 47, 49, 51, 83, 91 | 1872064 | 19 |
| 0.151.5201.00 | 81, 89 | 0511421-710 | 15 | 11-021 | 69 | 1872901 | 23 |
| 0.151.6208.00 | 81, 89 | 051172600710 | 15 | 110009 | 75, 77, 85 | 1873064 | 19 |
| 0.195.0300.00 | 79, 87 | 051551 | 29 | 110192 | 75, 77, 85 | 1873901 | 23 |
| 0.195.1300.00 | 79, 87 | 053314 | 29, 35 | 1114010 | 19 | 1876902 | 27 |
| 0.195.2000.00 | 79, 87 | 06-012 | 69, 83, 91 | 1134011 | 33 | 1877902 | 27 |
| 0.195.5000.00 | 79, 87 | 060127 | 75, 77, 85 | 1134012 | 33 | 1883013 | 19 |
| 0.195.6000.00 | 79, 87 | 060128 | 75, 77, 85 | 1136006 | 31 | 1883230 | 19 |
| 0.241.5001.00 | 71 | 060133 | 73 | 1136007 | 31 | 1883231 | 19 |
| 0.242.2101.00 | 71 | 060134 | 73 | 1136008 | 31, 33 | 1884201 | 19, 23 |
| 0.242.7200.00 | 71 | 07-001 | 69, 83, 91 | 1136009 | 31 | 1884202 | 19, 23 |
| 0.256.1314.00 | 71 | 07-007 | 83, 91 | 1136010 | 31, 33 | 1884203 | 19, 23 |
| 0.257.0505.00 | 71 | 070218 | 73 | 12-003 | 83, 91 | 1884205 | 19, 23 |
| 0.257.1742.00 | 71 | 070219 | 73 | 12-006 | 69 | 1884348 | 19 |
| 0.257.1743.00 | 71 | 070220 | 73 | 120050 | 75, 77, 85 | 1885702 | 27 |
| 0.259.7525.00 | 79, 87 | 070246 | 75, 77, 85 | 120126 | 73 | 1885709 | 27 |
| 0.267.4212.00 | 71 | 070247 | 75, 77, 85 | 1213233 | 23 | 1886802 | 27 |
| 0.278.7103.00 | 79, 87 | 070248 | 75, 77, 85 | 1215733 | 27 | 196837 | 35 |
| 0.286.7100.00 | 81, 89 | 070249 | 75, 77, 85 | 1215735 | 27 | 196839 | 21 |
| 00082464 | 95 | 070250 | 75, 77, 85 | 1216907 | 31, 33 | 1D0005-1450 | 97 |
| 00083198 | 95 | 070251 | 75, 77, 85 | 1216914 | 31 | 1D0206-1675 | 97 |
| 010175 | 75, 85 | 070252 | 75, 77, 85 | 130006 | 75, 77, 85 | 1D1003-5 | 97 |
| 010180 | 73 | 070253 | 75, 77, 85 | 130028 | 75, 77, 85 | 1D1155-17 | 97 |
| 010252 | 77 | 08-005A | 83, 91 | 130146 | 73 | 1D1401-250 | 97 |
| 019519 | 25 | 08-005B | 83, 91 | 130556 | 101, 105 | 1D1505-3 | 97 |
| 02-034 | 91 | 08-027 | 69 | 134953 | 101, 105 | 1D1551-16275 | 97 |
| 02-035 | 83 | 08-028 | 69 | 135995 | 101, 105 | 1M6010 | 99, 103 |
| 02-061 | 69 | 08-029 | 69 | 140000 | 75, 77, 85 | 20-003 | 83, 91 |
| 02-062 | 69 | 08-030 | 83, 91 | 140004 | 73 | 20-028 | 69 |
| 020164 | 73 | 08-031 | 83, 91 | 140017 | 75, 77, 85 | 20-029 | 69 |
| 020166 | 73 | 0826-064C | 19 | 140033 | 75, 85 | 20-031 | 83, 91 |
| 020224 | 75, 77, 85 | 087276 | 21, 25 | 140047 | 75, 77, 85 | 200000 | 75, 77, 85 |
| 020225 | 75, 77, 85 | 087279 | 35 | 140055 | 73 | 200140 | 75, 77, 85 |
| 020614 | 35 | 09-009 | 83, 91 | 1466000 | 31 | 200141 | 73, 75, 77, 85 |
| 020616 | 21 | 09-011 | 69, 83, 91 | 1466001 | 33 | 200142 | 73 |
| 020617 | 25 | 09-012 | 91 | 1466305 | 27, 31 | 21-012 | 83, 91 |
| 020672 | 25 | 09-013 | 69 | 1466607 | 27, 33 | 240280 | 75, 77, 85 |
| 020692 | 29 | 090099 | 73 | 1497 | 93 | 2A0006 | 99, 103 |
| 03-067 | 69 | 090179 | 75, 77, 85 | 1524072 | 19 | 2A0012 | 99, 103 |
| 03-074 | 83, 91 | 090180 | 75, 77, 85 | 1524902 | 23 | 2A0014 | 103 |
| 03-075 | 83, 91 | 090181 | 75, 77, 85 | 1525072 | 19, 23 | 2A0022 | 99 |
| 030456 | 75, 77, 85 | 090182 | 75, 77, 85 | 1534308 | 19 | 2A0024 | 103 |
| 030457 | 75, 77, 85 | 090183 | 75, 77, 85 | 1534322 | 19 | 2A0079-616 | 97 |
| 030467 | 73 | 090184 | 75, 77, 85 | 1546096 | 27 | 2A0132 | 99, 103 |
| 030512 | 73 | 090185 | 75, 77, 85 | 1548900 | 27 | 2A0208 | 99, 103 |
| 04-003 | 83, 91 | 090186 | 75, 77, 85 | 15500000037 | 65 | 2A0235-6 | 97 |
| 04-004 | 83, 91 | 090187 | 75, 77, 85 | 1581036 | 27 | 2A0246-12 | 97 |
| 04-018 | 69 | 090188 | 75, 77, 85 | 168556 | 29 | 2A0308-1 | 97 |
| 040335 | 75, 85 | 090341 | 77 | 1704027 | 19, 23 | 2A0578-1675 | 97 |
| 040343 | 73 | 0A001665 | 95 | 1704029 | 19, 23 | 2L363-17702-01 | 15 |
| 040345 | 73 | 0A001845 | 95 | 1705009 | 31, 33 | 2M3418 | 99 |
| 040491 | 77 | 0A001906 | 95 | 1706029 | 27 | 2M4422 | 103 |
| 041065 | 35 | 0A002526 | 95 | 1706065 | 31 | 30-449S6B | 15 |
| 041180 | 29 | 0B000988 | 95 | 1706085 | 33 | 304149 | 29 |
| 041576 | 21 | 1.195.7100.00 | 79, 87 | 172-242D | 37, 39, 41, 43 | 308-049D | 49, 51 |
| 043489 | 29 | 10-042 | 69, 83, 91 | 172758 | 25 | 308-049D81 | 51 |
| 044321 | 19, 21, 23, 25, 27, 35 | 10-097 | 61, 67 | 175-060D | 7 | 308-049D82 | 51 |
| 044439 | 35 | 100001 | 75, 77, 85 | 175-061D | 7 | 308-049D83 | 51 |
| 044444 | 21 | 1004020 | 19, 23 | 1774335 | 19 | 308-049D84 | 51 |
| 045790 | 29 | 1004220 | 19 | 1783016 | 19 | 310-041D | 47, 49, 51 |
| 045793 | 29 | 1004224 | 19 | 1784210 | 19, 23 | 310-090H | 57, 59 |
| 047680 | 35 | 1004225 | 19, 23, 27, 33 | 1784211 | 23 | 310-094H | 37, 39, 41, 43 |
| 047825 | 29 | 1006020 | 27 | 1784212 | 23 | 310-095H | 37, 39, 41, 43 |
| 05-002 | 69, 83, 91 | 1006803 | 27 | 1786710 | 27 | 310-100S | 57, 59 |
| 05-005 | 83, 91 | 1006827 | 27 | 1786711 | 27 | 310-161S | 43 |
| | | 1006830 | 27 | 1786801 | 27 | 310-176D | 37, 43 |



Part Number Index (continued)

| Part Number | Page | Part Number | Page | Part Number | Page | Part Number | Page |
|-------------|----------------|-------------|----------------|----------------|------------|-------------|-------------------------------|
| 310-177S | 43 | 315-286H84 | 49, 51 | 315-754D | 13 | 6331070 | 27 |
| 310-224D | 37, 39, 41, 43 | 315-287H | 47 | 315-768D | 61, 67 | 6331080 | 27 |
| 310-227D | 37, 39, 41, 43 | 315-287H81 | 47 | 315-821D | 13 | 645004 | 101, 105 |
| 310-249D | 57, 59 | 315-287H82 | 47 | 316201 | 25 | 6560006 | 23, 27 |
| 310-250D | 57, 59 | 315-287H83 | 47 | 338531 | 29 | 6821279 | 31 |
| 310-251D | 57, 59, 61, 67 | 315-287H84 | 47 | 341586 | 25 | 6M3118 | 99 |
| 310-252D | 57, 59, 61, 67 | 315-289H | 55 | 341953 | 29 | 6M4152 | 103 |
| 310-300D | 43 | 315-289H81 | 55 | 342221 | 25 | 7M3320 | 99 |
| 310-312D | 37, 43 | 315-289H82 | 55 | 355154 | 35 | 7M4324 | 103 |
| 310-319H | 55 | 315-289H83 | 55 | 355155 | 25 | 8.0.1.00870 | 71, 81, 89 |
| 310-331D | 47, 49, 51 | 315-289H84 | 55 | 364859 | 21 | 8.0.9.00024 | 81, 89 |
| 310-359D | 57, 59, 61, 67 | 315-290H | 55 | 365305 | 21, 25, 35 | 8.0.9.00026 | 71, 79, 81, 87, 89 |
| 310-361D | 41, 43 | 315-290H81 | 55 | 365722 | 25 | 8.0.9.00102 | 79, 87 |
| 310-533D | 55 | 315-290H82 | 55 | 377234 | 35 | 8.1.1.00045 | 71 |
| 312410 | 25 | 315-290H83 | 55 | 377240 | 35 | 8.1.1.00073 | 71 |
| 315-037V | 47 | 315-290H84 | 55 | 377335 | 21 | 8.1.1.00343 | 81, 89 |
| 315-075S | 41, 43, 45 | 315-307H | 61 | 377336 | 25 | 8.1.1.00501 | 79, 87 |
| 315-098H | 59 | 315-308H | 61 | 377340 | 21 | 8.2.2.01144 | 47, 49, 51, 79, 81, 87, 89 |
| 315-103H | 45 | 315-314H | 61, 67 | 380371 | 25, 35 | 8.3.2.00409 | 79, 81, 87, 89 |
| 315-133H | 55 | 315-336H | 17 | 380882 | 25 | 8.3.3.00384 | 71 |
| 315-139H | 13 | 315-343S | 61, 67 | 380905 | 35 | 8.3.6.00020 | 71 |
| 315-177H | 11 | 315-344S | 61 | 380906 | 21 | 8.4.1.00021 | 71 |
| 315-178H | 11 | 315-361H | 67 | 380907 | 25 | 8.4.1.01141 | 81, 89 |
| 315-179H | 7 | 315-369H | 13 | 381178 | 21 | 8.4.7.00516 | 79, 81, 87, 89 |
| 315-180H | 13 | 315-380S | 41 | 381495 | 29 | 8.5.1.00005 | 71 |
| 315-182H | 11 | 315-381S | 39 | 381908 | 21, 25, 35 | 8.5.1.00680 | 79, 81, 87, 89 |
| 315-183H | 7 | 315-383H | 61 | 381957 | 29 | 8.5.2.00131 | 79, 81, 87, 89 |
| 315-186H | 7, 11 | 315-384H | 67 | 382877 | 21 | 8.5.3.00955 | 79, 87 |
| 315-187H | 17 | 315-409D | 55 | 382878 | 21 | 8.6.5.00006 | 71, 79, 81, 87, 89 |
| 315-188H | 49, 51 | 315-413H | 61 | 383231 | 25 | 8.7.0.00744 | 79, 81, 87, 89 |
| 315-188H81 | 49, 51 | 315-413H81 | 61 | 385954 | 25 | 8.7.3.00027 | 81, 89 |
| 315-188H82 | 49, 51 | 315-413H82 | 61 | 386083 | 25 | 8.7.3.00055 | 71, 79, 81, 87, 89 |
| 315-188H83 | 49, 51 | 315-413H83 | 61 | 387266 | 35 | 8.7.3.00071 | 71 |
| 315-188H84 | 49, 51 | 315-413H84 | 61 | 387332 | 35 | 8.7.3.00081 | 79, 87 |
| 315-190H | 49, 51 | 315-417H | 61 | 390186 | 25 | 800-001C | 7, 57, 59, 61, 67 |
| 315-191H | 47 | 315-417H81 | 61 | 390289 | 35 | 800-060C | 93 |
| 315-192H | 57 | 315-417H82 | 61 | 390404 | 21, 25, 35 | 800-075C | 37, 43 |
| 315-193H | 57 | 315-417H83 | 61 | 392050 | 35 | 800-080C | 7, 11, 49, 52 |
| 315-194H | 57, 67 | 315-417H84 | 61 | 392052 | 35 | 800-099C | 37, 39, 41, 43 |
| 315-194H81 | 67 | 315-419H | 67 | 392505 | 35 | 800-130C | 39, 41 |
| 315-194H82 | 67 | 315-419H81 | 67 | 392650 | 101, 105 | 800-136C | 11 |
| 315-194H83 | 67 | 315-419H82 | 67 | 491668 | 105 | 800-157C | 39, 41 |
| 315-194H84 | 67 | 315-419H83 | 67 | 491672 | 101 | 800-163C | 55 |
| 315-195H | 59 | 315-419H84 | 67 | 492107 | 61, 67 | 800-193C | 39, 41 |
| 315-196H | 59 | 315-420H | 7 | 492218 | 105 | 800-372C | 39, 41 |
| 315-197H | 13 | 315-447A | 71 | 492222 | 101 | 801-018C | 47 |
| 315-198H | 11 | 315-448H | 17 | 492647 | 101 | 801-023C | 101, 105 |
| 315-199H | 45 | 315-450H | 13 | 492650 | 101, 105 | 801-032C | 39, 41 |
| 315-208H | 55 | 315-454E | 13 | 492688 | 101, 105 | 802-005C | 47 |
| 315-210H | 55 | 315-455E | 13 | 492699 | 105 | 802-017C | 55 |
| 315-211S | 37 | 315-460A | 13 | 492711 | 105 | 802-034C | 17 |
| 315-212S | 37 | 315-478D | 47 | 492724 | 101 | 802-038C | 17 |
| 315-213S | 37, 39, 45 | 315-484D | 57, 67 | 494768 | 101, 105 | 802-041C | 55 |
| 315-218S | 59 | 315-487D | 7 | 4M3102 | 99 | 802-060C | 13 |
| 315-219S | 59 | 315-488H | 62 | 4M4104 | 103 | 802-079C | 49, 51, 93 |
| 315-233D | 55 | 315-492D | 93 | 50069S6LPY34RB | 65 | 802-091C | 7, 47, 49, 51, 57, 59, 61, 67 |
| 315-237D | 67 | 315-493D | 37, 39 | 506-4R-I | 65 | 802-095C | 13 |
| 315-245D | 59, 61 | 315-494D | 37 | 5180211 | 65 | 802-097C | 49, 51 |
| 315-246D | 59, 61 | 315-496A | 61 | 518081 | 61, 67 | 802-099C | 13, 61 |
| 315-247D | 59, 61 | 315-562D | 47, 49, 51 | 53-164 | 65 | 802-100C | 47, 49, 51 |
| 315-247S | 9 | 315-563D | 37, 39, 41, 43 | 53-180 | 65 | 802-115C | 11 |
| 315-248D | 59, 61 | 315-564D | 11 | 53-189 | 65 | 802-125C | 61, 67 |
| 315-267A | 107 | 315-565D | 11 | 5M3120 | 99 | 802-145C | 61, 67 |
| 315-268A | 109 | 315-566D | 49, 51 | 5M4124 | 103 | 802-152C | 7, 11, 49, 51 |
| 315-270D | 61 | 315-629D | 55 | 6040816 | 33 | 802-159C | 73 |
| 315-274H | 13 | 315-733D | 67 | 6041016 | 31 | 802-203C | 47, 49, 51 |
| 315-285H | 13 | 315-736D | 17 | 6280313 | 27 | 802-205C | 13 |
| 315-286H | 49, 51 | 315-743D | 93 | 6330855 | 23 | 802-226C | 17 |
| 315-286H81 | 49, 51 | 315-751D | 37, 39 | 6330860 | 23 | 802-229C | 37, 39, 41, 43 |
| 315-286H82 | 49, 51 | 315-752D | 41, 43 | 6330865 | 19 | | |
| 315-286H83 | 49, 51 | 315-753D | 13 | | | | |



Part Number Index (continued)

| Part Number | Page | Part Number | Page | Part Number | Page | Part Number | Page |
|-------------|--|-------------|---------------------|-------------|-----------------------------|-------------|----------------|
| 802-233C | 37, 43 | 804-110C | 37, 39, 41, 43 | 818-130C | 109 | 890-068C | 15, 61, 67 |
| 802-235C | 13 | 804-113C | 17 | 818-138C | 107 | 890-118C | 13 |
| 802-239C | 45 | 805-004C | 7, 93, 95 | 818-165C | 107 | 890-122C | 49, 51 |
| 802-240C | 37, 39, 41, 43 | 805-015C | 61, 67 | 818-187C | 109 | 890-172C | 41, 43 |
| 802-246C | 47, 49, 51 | 805-017C | 7, 11, 47, 49, 51 | 818-190C | 107 | 890-182C | 13 |
| 802-258C | 17 | 805-023C | 7 | 818-229C | 109 | 890-200C | 41, 43 |
| 802-281C | 37, 39, 41, 43 | 805-045C | 15, 61, 67 | 818-230C | 109 | 890-202C | 57, 59, 61, 67 |
| 802-283C | 13 | 805-065C | 67 | 818-249C | 107 | 890-266C | 39, 41 |
| 802-305C | 57, 59 | 805-081C | 13 | 818-298C | 107 | 890-278C | 11 |
| 802-308C | 93 | 805-088C | 7, 93 | 818-337C | 109 | 890-318C | 41, 43 |
| 802-329C | 37, 39, 41, 43 | 805-109C | 13 | 818-339C | 109 | 890-319C | 37, 39 |
| 802-345C | 49, 51 | 805-126C | 57, 59 | 818-351C | 109 | 890-332C | 9 |
| 802-360C | 13 | 805-131C | 7, 11 | 818-353C | 109 | 890-337C | 9 |
| 802-384C | 41, 43 | 805-161C | 57, 67 | 818-405C | 107 | 890-366C | 37, 39 |
| 802-408C | 49, 51 | 805-175C | 49, 51 | 818-488C | 107 | 890-367C | 37, 39 |
| 802-443C | 37, 43 | 805-255C | 67 | 818-513C | 109 | 890-589C | 9 |
| 802-447C | 37, 39 | 806-023C | 57, 67 | 818-514C | 109 | 890-698C | 41, 43 |
| 802-451C | 93 | 807-023C | 93 | 818-515C | 107 | 890-699C | 37, 39 |
| 802-567C | 39, 41 | 807-026C | 7, 11 | 818-540C | 19, 21, 23, 25, 27, 35, 109 | 9190601 | 27 |
| 802-689C | 17 | 807-050C | 49, 51 | 818-543C | 109 | 95316 | 65 |
| 802-695C | 41, 43 | 807-068C | 37, 39, 41, 43 | 818-552C | 19, 21, 23, 25, 27, 35, 109 | 95360NA | 65 |
| 802-696C | 37, 39 | 807-176C | 47 | 818-555C | 109 | 990-109R | 39, 41 |
| 8026 | 93 | 808-126C | 47, 49, 51 | 818-556C | 109 | A.244.500 | 81, 89 |
| 803-005C | 47 | 808-127C | 37, 39, 41, 43 | 818-557C | 109 | A.248.500 | 79, 81, 87, 89 |
| 803-006C | 37, 43, 93 | 808-128C | 37, 39, 41, 43 | 818-558C | 109 | A.259.500 | 71 |
| 803-007C | 7, 11, 49, 51 | 808-129C | 37, 39, 41, 43, 45 | 818-560C | 107 | A244.501 | 79, 87 |
| 803-011C | 11 | 808-335C | 47, 49, 51 | 818-561C | 109 | B0-47 | 15 |
| 803-014C | 37, 39, 41, 43, 49, 51, 55, 93, 101, 105 | 810-005C | 7, 93, 95 | 818-565C | 107 | BF-1506 | 65 |
| 803-018C | 37, 39, 41, 43, 57, 59 | 810-015C | 103 | 818-566C | 107 | dwg10219 | 103 |
| 803-019C | 13, 55 | 810-150C | 11, 93, 97, 99, 101 | 818-680C | 107 | dwg10600 | 29 |
| 803-020C | 17, 47, 49, 51, 57, 59, 61, 67 | 810-177C | 99 | 818-711C | 107 | dwg11271 | 109 |
| 803-022C | 45, 47, 49, 51 | 810-178C | 97 | 818-892C | 107 | dwg11421 | 97, 99 |
| 803-027C | 13 | 810-199C | 103 | 818-921C | 107 | dwg11748 | 45 |
| 803-037C | 47, 49 | 810-200C | 7, 93, 103, 105 | 822-006C | 37, 39, 41, 43 | dwg11787 | 71 |
| 803-038C | 13, 49, 51 | 811-065C | 93 | 822-030C | 15, 61, 67 | dwg12760 | 81 |
| 803-053C | 15, 61, 67 | 811-119C | 93 | 822-080C | 15, 61, 67 | dwg13449 | 35 |
| 803-114C | 41, 43, 55 | 811-170C | 93 | 822-161C | 37, 39, 41, 43 | dwg13549 | 13 |
| 803-115C | 37, 39, 41, 43 | 811-332C | 93 | 822-166C | 71, 79, 81, 83, 87, 89, 91 | dwg13550 | 7 |
| 803-119C | 37, 39, 41, 43 | 811-394C | 93 | 826-064C | 17, 21 | dwg13551 | 11 |
| 803-148C | 13 | 811-441C | 93 | 826-097C | 17, 71 | dwg13552 | 9 |
| 803-159C | 15, 61, 67 | 811-442C | 93 | 826-111C | 17, 35 | dwg13554 | 43 |
| 803-169C | 62 | 811-443C | 93 | 826-121C | 49, 81, 83 | dwg13555 | 37 |
| 803-198C | 61, 67 | 811-444C | 93 | 826-122C | 47, 51, 89, 91 | dwg13559 | 55 |
| 803-228C | 37, 39 | 811-445C | 93 | 826-141C | 17, 69 | dwg13560 | 57 |
| 803-231C | 55 | 811-447C | 93 | 826-143C | 17, 25 | dwg13561 | 59 |
| 803-293C | 47 | 811-495C | 93 | 826-205C | 47, 51, 75 | dwg13562 | 93 |
| 803-308C | 39, 41 | 814-070C | 57, 59, 65 | 826-206C | 49, 85 | dwg13589 | 15 |
| 804-006C | 13, 47, 93 | 814-100C | 15 | 826-274C | 17, 73 | dwg13630 | 65 |
| 804-007C | 13 | 814-114C | 65 | 826-295C | 47, 51, 77 | dwg13712 | 69 |
| 804-009C | 73 | 814-118C | 61, 67 | 826-296C | 49 | dwg13714 | 89 |
| 804-012C | 93 | 814-193C | 57, 59, 65 | 826-326C | 49, 87 | dwg13812 | 25 |
| 804-013C | 49, 51, 55, 93 | 815-052C | 15 | 826-326C81 | 49 | dwg13813 | 21 |
| 804-014C | 37, 39, 41, 43 | 815-104C | 61, 67 | 826-326C82 | 49 | dwg13814 | 91 |
| 804-015C | 7, 17, 47, 49, 51, 57, 59, 61, 67 | 816-014C | 15, 61, 67 | 826-326C83 | 49 | dwg13815 | 83 |
| 804-016C | 7, 13, 17, 47, 49, 51, 57, 59 | 816-088C | 15 | 826-326C84 | 49 | dwg14057 | 19 |
| 804-019C | 13 | 816-141C | 37, 39, 41, 43 | 826-327C | 47, 51, 79 | dwg14078 | 95 |
| 804-021C | 47, 49, 51 | 816-504C | 13 | 826-327C81 | 47, 51 | dwg15693 | 61 |
| 804-022C | 37, 39, 41, 43, 45, 47, 49, 51 | 817-028C | 45 | 826-327C82 | 47, 51 | dwg15694 | 67 |
| 804-023C | 13 | 817-050C | 47, 49, 51 | 826-327C83 | 47, 51 | dwg15934 | 85 |
| 804-024C | 13 | 817-082C | 55 | 826-327C84 | 47, 51 | dwg16506 | 75 |
| 804-025C | 15, 37, 43, 61, 67 | 817-151C | 57, 67 | 826-370C | 17, 27 | dwg16542 | 41 |
| 804-028C | 7, 11, 13 | 817-152C | 57, 67 | 826-371C | 17, 23 | dwg16543 | 39 |
| 804-029C | 11, 47, 49, 51 | 817-192C | 55 | 827-001C | 57, 67 | dwg16544 | 47 |
| 804-093C | 37, 39, 41, 43 | 817-195C | 55 | 838-036C | 107 | dwg16545 | 49 |
| | | 817-259C | 55 | 838-902C | 107 | dwg16546 | 51 |
| | | 818-019C | 109 | 838-963C | 107 | dwg17592 | 107 |
| | | 818-045C | 109 | 838-967C | 107 | dwg18259 | 73 |
| | | 818-055C | 47, 109 | 890-005C | 11 | dwg18641 | 77 |
| | | | | | | dwg19549 | 87 |
| | | | | | | dwg19550 | 79 |
| | | | | | | dwg22022 | 23 |



Part Number Index (continued)

| <u>Part Number</u> | <u>Page</u> |
|----------------------|--------------|
| dwg22023 | 27 |
| dwg22028 | 17 |
| dwg23887 | 31 |
| dwg23890 | 33 |
| dwg25899 | 101 |
| dwg25901 | 105 |
| N/A | 15, 101, 105 |
| TR-412 | 61, 67 |
| U0.195.7101.00 | 79, 87 |



Great Plains Manufacturing, Inc.

Corporate Office: P.O. Box 5060
Salina, Kansas 67402-5060 USA

www.landpride.com

Free Manuals Download Website

<http://myh66.com>

<http://usermanuals.us>

<http://www.somanuals.com>

<http://www.4manuals.cc>

<http://www.manual-lib.com>

<http://www.404manual.com>

<http://www.luxmanual.com>

<http://aubethermostatmanual.com>

Golf course search by state

<http://golfingnear.com>

Email search by domain

<http://emailbydomain.com>

Auto manuals search

<http://auto.somanuals.com>

TV manuals search

<http://tv.somanuals.com>