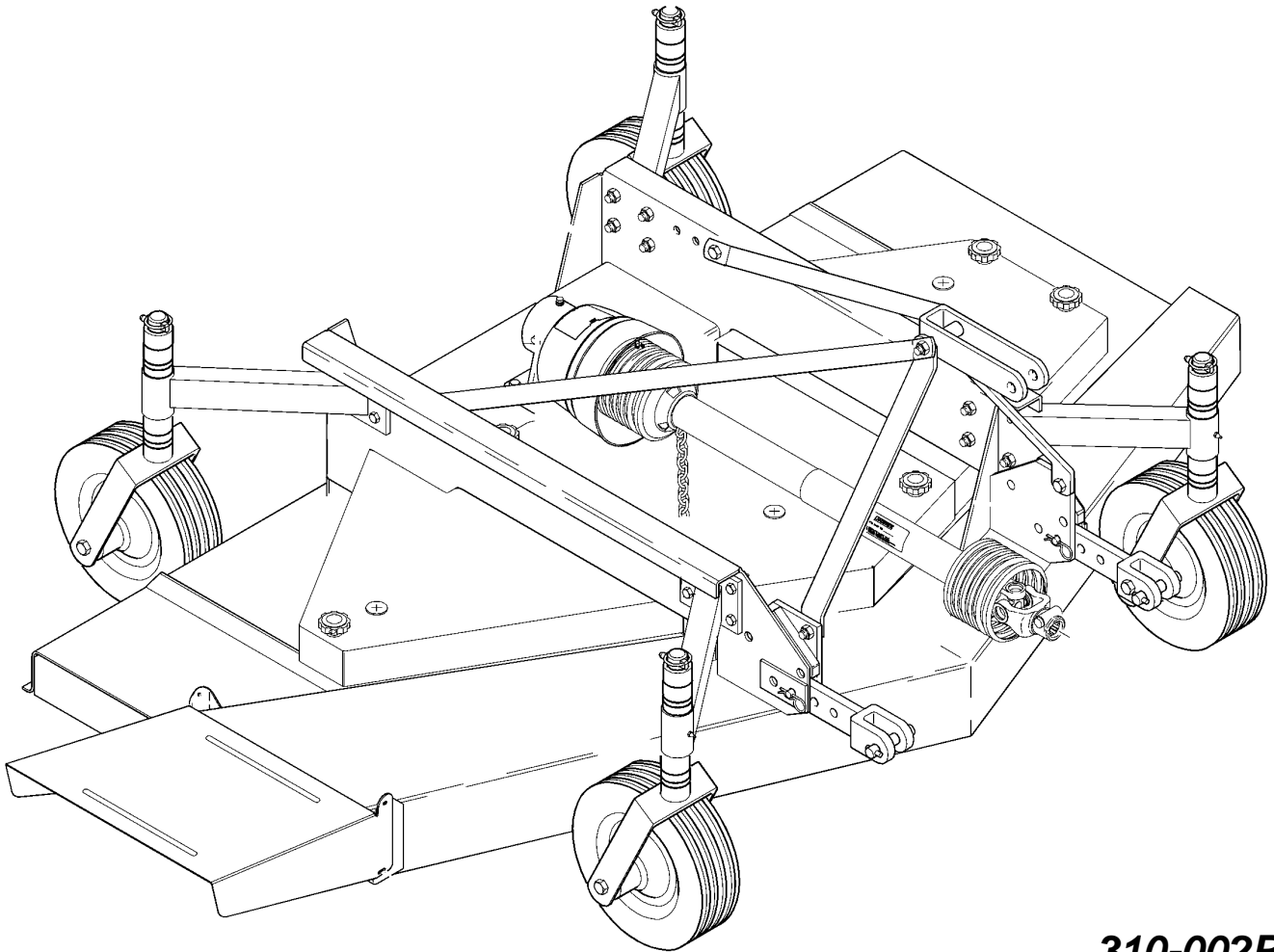


Air Tunnel Grooming Mower

**AT2560, AT2572, (AT2584 See AT2684), AT2660,
AT2672, AT2684 & AT3590**



14326

310-002P Parts Manual



Read the Operator's manual entirely. When you see this symbol, the subsequent instructions and warnings are serious - follow without exception. Your life and the lives of others depend on it!

© Copyright 2008 Printed 07/23/08

Cover photo may show optional equipment not supplied with standard unit.





Table of Contents

Section 1: Introduction.....6
 Using This Manual.....6
 Manual Replacement Information.....6
 Manual Revisions.....6
 Touch-up Paint.....6
 Hardware Legend.....7
 Replacement Hardware.....7
 Serial Numbers.....7
 Part Number Service Coding.....7

AT25 SERIES

Section 2: Decks.....8
 Deck (S/N 59101-).....8
 Deck (S/N 59102+).....10
 Deck (S/N 59102+).....12
 Front Roller.....14
 Gauge Wheel.....16
 Gauge Wheel Tire (814-071C).....18
 Guards.....20
 Hitch.....22
Section 3: Drive.....24
 Belt Drive (S/N 212180-).....24
 Belt Drive (S/N 212181+).....28
 Left and Right Spindle Hub Assembly (S/N 212180-).....32
 Spindle Hub Assembly (S/N 212180-).....34
Section 3: Gauge Wheel.....36
 Gauge Wheel (814-271C).....36
 Gauge Wheels.....38
Section 4: Drive.....40
 Belt Drive.....40
 Belt Take-Up.....44
Section 4: Gearboxes.....46
 Gearbox (826-081C) (826-011C) Comer.....46
 Gearbox (826-081C) IEG.....48
 Gearbox (826-203C) OMNI.....50
 Gearbox (826-293C) OMNI.....52
 Gearbox (826-325C) Comer.....54
Section 5: Drivelines.....56
 Driveline (826-012C) Eurocardan (S/N 199605-).....56
 Driveline (826-012C) Eurocardan (S/N 199606+).....58
 Driveline (826-012C) Walterscheid.....60
 Driveline (826-064C) Eurocardan.....62
 Driveline Heavy Duty (826-064C) Walterscheid.....64
Section 5: Gearboxes.....66
 Gearbox (826-296C) OMNI.....66
 Gearbox (826-311C) AT2684) OMNI.....68
 Gearbox (826-326C) Comer AT2660, AT2672 & AT2684...70
Section 6: Drivelines.....72
 Driveline (826-297C) Eurocardan.....72

Section 6: Labels.....74
 Label Placement.....74
Section 7: Labels.....76
 Label Placement AT26.....76
Section 7: Options.....78
 Front Anti-Scalping Roller.....78

AT26 SERIES

Section 2: Decks.....80
 Front Roller.....80
 Guards.....82
 Hitch.....84
Section 3: Gauge Wheel.....86
 Gauge Wheel (814-071C).....86
 Gauge Wheel (814-144C) & (814-191C).....88
 Gauge Wheel (814-271C).....90
 Gauge Wheel Tire (814-188C).....92
 Gauge Wheels.....94
Section 4: Drive.....96
 Belt Drive.....96
 Belt Take-Up.....100
Section 5: Gearboxes.....102
 Gearbox (826-296C) OMNI.....102
 Gearbox (826-311C) AT2684) OMNI.....104
 Gearbox (826-326C) Comer AT2660, AT2672 & AT2684.106
Section 6: Drivelines.....108
 Driveline (826-064C) Eurocardan.....108
 Driveline (826-297C) EC (S/N 246675 to 426011).....110
 Driveline (826-297C) EC (S/N 426012+).....112
Section 7: Labels.....114
 Label Placement AT26.....114

AT35 SERIES

Section 2: Decks.....116
 Deck.....116
 Gauge Wheel.....118
 Gauge Wheel Tire (814-114C), (814-070C),(814-193C) & (814-272C).....120
Section 3: Drive.....122
 Belt Drive (S/N 209357-).....122
 Belt Drive (S/N 209358+).....126
 Center Blade Hub (S/N 212180-).....130
 Right Hand and Left Hand Blade Hub (S/N 212180-).....132
Section 4: Gearboxes.....134
 Gearbox (826-055C) Comer.....134
 Gearbox (826-206C) OMNI.....136
 Gearbox (826-296C) OMNI.....138
 Gearbox (826-326C) Comer.....140

© Copyright 2008. All rights reserved.

Land Pride provides this publication "as is" without warranty of any kind, either expressed or implied. While every precaution has been taken in the preparation of this manual, Land Pride assumes no responsibility for errors or omissions. Neither is any liability assumed for damages resulting from the use of the information contained herein. Land Pride reserves the right to revise and improve its products as it sees fit. This publication describes the state of this product at the time of its publication, and may not reflect the product in the future. The illustrations in this manual are not intended for safe and proper assembly or disassembly of equipment. The illustrations are intended for ordering parts only.

Land Pride is registered trademark.

All other brands and product names are trademarks or registered trademarks of their respective holders.

Printed in the United States of America.



Table of Contents (continued)

Section 5: Drivelines.....	142
Driveline (826-057C) Walterscheid (Option).....	142
Driveline (826-080C) Walterscheid (S/N 209357- & S/N 236470+).....	144
Driveline (826-195C) EC New Shields (S/N 209358 to 236469).....	146
Driveline (826-195C) EC Old Shields (S/N 209358 to 236469).....	148
Driveline Slip Clutch (317189) Walterscheid.....	150
Section 6: Labels.....	152
Label Placement.....	152
Section 7: Options.....	154
Front Anti-Scalping Roller.....	154
Part Number Index.....	156



Alphabetized Table of Contents

AT25 SERIES

B

Belt Drive.....40
 Belt Drive (S/N 212180-).....24
 Belt Drive (S/N 212181+).....28
 Belt Take-Up.....44

D

Deck (S/N 59101-).....8
 Deck (S/N 59102+).....10
 Deck (S/N 59102+).....12
 Driveline (826-012C) Eurocardan (S/N 199605-).....56
 Driveline (826-012C) Eurocardan (S/N 199606+).....58
 Driveline (826-012C) Walterscheid.....60
 Driveline (826-064C) Eurocardan.....62
 Driveline (826-297C) Eurocardan.....72
 Driveline Heavy Duty (826-064C) Walterscheid.....64

F

Front Anti-Scalping Roller.....78
 Front Roller.....14

G

Gauge Wheel.....16
 Gauge Wheel (814-271C).....36
 Gauge Wheel Tire (814-071C).....18
 Gauge Wheels.....38
 Gearbox (826-081C) (826-011C) Comer.....46
 Gearbox (826-081C) IEG.....48
 Gearbox (826-203C) OMNI.....50
 Gearbox (826-293C) OMNI.....52
 Gearbox (826-296C) OMNI.....66
 Gearbox (826-311C) AT2684) OMNI.....68
 Gearbox (826-325C) Comer.....54
 Gearbox (826-326C) Comer AT2660, AT2672 & AT2684...70
 Guards.....20

H

Hitch.....22

L

Label Placement.....74
 Label Placement AT26.....76
 Left and Right Spindle Hub Assembly (S/N 212180-).....32

S

Spindle Hub Assembly (S/N 212180-).....34

AT26 SERIES

B

Belt Drive.....96
 Belt Take-Up.....100

D

Driveline (826-064C) Eurocardan.....108
 Driveline (826-297C) EC (S/N 246675 to 426011).....110
 Driveline (826-297C) EC (S/N 426012+).....112

F

Front Roller.....80

G

Gauge Wheel (814-071C).....86
 Gauge Wheel (814-144C) & (814-191C).....88
 Gauge Wheel (814-271C).....90
 Gauge Wheel Tire (814-188C).....92
 Gauge Wheels.....94
 Gearbox (826-296C) OMNI.....102
 Gearbox (826-311C) AT2684) OMNI.....104
 Gearbox (826-326C) Comer AT2660, AT2672 & AT2684.106
 Guards.....82

H

Hitch.....84

L

Label Placement AT26.....114

AT35 SERIES

B

Belt Drive (S/N 209357-).....122
 Belt Drive (S/N 209358+).....126

C

Center Blade Hub (S/N 212180-).....130

D

Deck.....116
 Driveline (826-057C) Walterscheid (Option).....142
 Driveline (826-080C) Walterscheid (S/N 209357- & S/N 236470+).....144
 Driveline (826-195C) EC New Shields (S/N 209358 to 236469).....146
 Driveline (826-195C) EC Old Shields (S/N 209358 to 236469).....148
 Driveline Slip Clutch (317189) Walterscheid.....150

F

Front Anti-Scalping Roller.....154

G

Gauge Wheel.....118
 Gauge Wheel Tire (814-114C), (814-070C),(814-193C) & (814-272C).....120
 Gearbox (826-055C) Comer.....134
 Gearbox (826-206C) OMNI.....136
 Gearbox (826-296C) OMNI.....138
 Gearbox (826-326C) Comer.....140



Alphabetized Table of Contents (continued)

L

Label Placement.....152

R

Right Hand and Left Hand Blade Hub (S/N 212180-).132

General Information

Using This Manual

This manual is divided into sections. The first section contains General Information. The remaining sections divide the machine into segments (i.e. Frames, Drives, Hydraulics, etc.) which illustrate and list all parts. A Parts Number Index is located at the back of the book.

The Land Pride parts in this manual are specially designed for this machine and should be replaced with Land Pride parts only.

The information in this manual is current at time of printing. Some parts may change to assure top performance.

Right-hand and left-hand as used in this manual are determined by facing the direction the machine will travel while in use.

Below is an example of two facing pages from a parts manual. Familiarize yourself with the type of information contained on these pages.

Manual Replacement Information

Replacement manuals are available. Refer to our website at www.landpride.com, the Land Pride Support Center CD or e-mail us at lit@landpride.com for additional information. Our website continues to provide the most up-to-date manuals available.

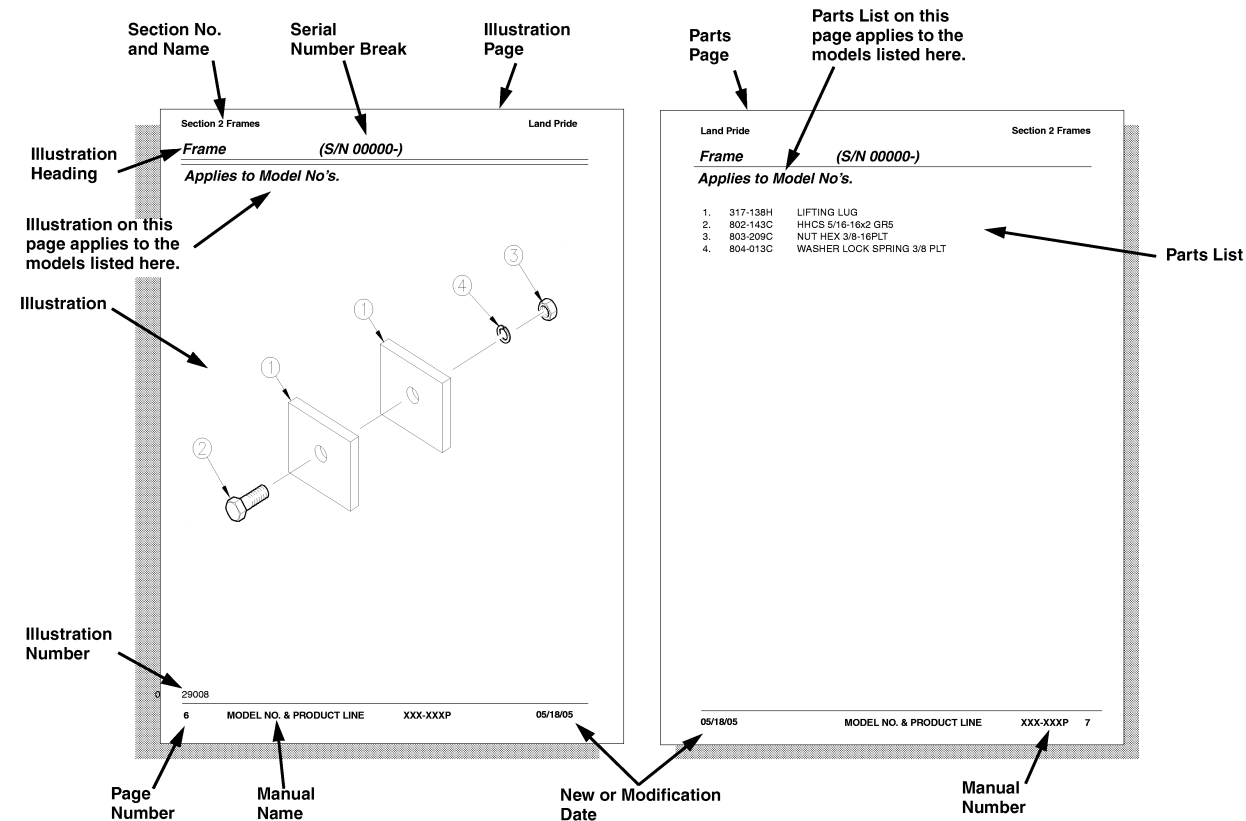
Touch-up Paint

Repaint parts where paint is worn or scratched to prevent rust. Aerosol cans and touch-up bottles with brush applicator are available through your local dealer. Land Pride color descriptions and part numbers are listed below. Also available are quart and gallon size paints. Add QT or GL to end of the Aerosol P/N.

Color	Product ¹	Aerosol	Touch-Up
Gloss Black	LP	821-032C	821-032CTU
Medium Gloss Black	UV	821-053C	821-053CTU
Beige	LP	821-011C	821-011CTU
Green	SLP	821-058C	821-058CTU
Orange	SLP	821-066C	821-066CTU
Red	SLP/UV	821-054C	821-054CTU
Blue	SLP/UV	821-067C	821-067CTU
Dark Green Sparkle	UV	821-055C	821-055CTU
Gondo Forest Green	UV	821-057C	821-057CTU
Brite Yellow ²	UV	821-056C	821-056CTU
Gondo Yellow ³	UV	821-059C	821-059CTU

Notes:

- 1 LP = All Land Pride Products except Utility Vehicles
SLP = Select Land Pride Products that are available in optional Green, Orange, Red, & Blue colors.
UV = Utility Vehicles
- 2 Used on Trekers and (Runabouts with S/N 407628-)
- 3 Used on Gondos and (Runabouts with S/N 407629+)



General Information

Hardware Legend

AR	As Required
BLADE	Blade Bolt
C	Cap Screw
CP	Cotter Pin
CPHSSS	Cup Point Hex Socket Set Screw
CPSHSS	Cup Point Square Head Set Screw
CPSQHSS	Cup Point Square Head Set Screw
CRFCHMS3	Cross Recess Flat Countersunk Head Machine Screw
CRPHMS	Cross Recess Pan Head Machine Screw
CRPHTF	Cross Recess Pan Head Thread Forming
CRRHMS	Cross Recess Round Head Machine Screw
CRTHMS	Cross Recess Truss Head Machine Screw
CSNB	Countersunk Square Neck Bolt
FHMS	Flat Head Machine Screw
FTC	Full Thread Cap Screw
H	Hex Nut
HCLN	Hex Center Lock Nut
HFLCS	Hex Flange Lock Cap Screw
HFS	Hex Flange Screw
HFSLN	Hex Flange Serrated Lock Nut
HFSS	Hex Flange Serrated Screw
HHCS	Hex Head Cap Screw or Metric Bolt
HSBHCS	Hex Socket Button Head Cap Screw
HSFCHCS	Hex Socket Flat Countersunk Head Cap Screw
HSHCS	Hex Socket Head Cap Screw
HSSS	Hex Socket Head Screw
HTLN	Hex Top Lock Nut
HWHCS	Hex Washer Head Cap Screw

HWHMS	Hex Washer Head Machine Screw
HXBHCS	Hex Socket Button Head Cap Screw
J	Hex Jam Nut
JIC	37 Degree Tapered Thread
L	Helical Spring Lock Washer
LUG	Lug Bolt
NFC	National Fine Cap Screw
NPSM	National Pipe Straight Mechanical
NPTF	National Pipe Taper Fuel
P	Wide Plain Washer
PHMS	Pan Head Machine Screw
PLOW	Plow Bolt
RHMS	Round Head Machine Screw
RHSNB	Round Head Square Neck Bolt
SCREW LEVELING	Leveling Screw
SCREW THUMB	Thumb Screw
SCREW WELD	Weld Screw
SFCHMS	Slotted Flat Countersunk Head Machine Screw
SFHMS	Slotted Fillister Head Machine Screw
SP	Special
SP SCREW	Special Screw
SQHSS	Square Head Set Screw
SRHMS	Slotted Round Head Machine Screw
SSS	Socket Set Screw
STCS	Self Tapping Cap Screw
STHMS	Slotted Truss Head Machine Screw
WHEEL	Wheel Studs and Hub Long Bolts
WING	Wing Bolt

Replacement Hardware

The **Hardware Legend** above lists hardware abbreviations used in the parts list. All bolts and nuts are Grade 5 unless otherwise noted. The use of improper grades of hardware can result in personal injury, damage to equipment, or loss of property.

Colored Replacement Parts

Land Pride offers replacement parts in factory standard colors and also on select models in Green, Orange, Red and Blue. Because of the variety of colors available, special attention must be given to the part number to prevent ordering the wrong replacement part.

A suffix number corresponding to one of the colors below must be added at the end of Land Pride's part number when ordering a replacement part with that color.

81 Green 83 Red
82 Orange 84 Blue

For example, if you are ordering a replacement part with part number 555-555C and the part you need is red, then add the suffix 83 to the end of the number to make the part number read 555-555C83. Parts ordered without a suffix number will be supplied in factory standard colors.

Black Replacement Parts

Some parts are factory standard black and some must be special ordered black. If your part is special ordered black, a second part number with the additional suffix number 85 on the end will be available. In this situation you must order that part with the suffix number for it to be black. Parts that are factory standard black will not have the suffix number.

Part Number Service Coding

Within the parts list some part numbers are coded for revisions and interchangeability. See notations in revision column.

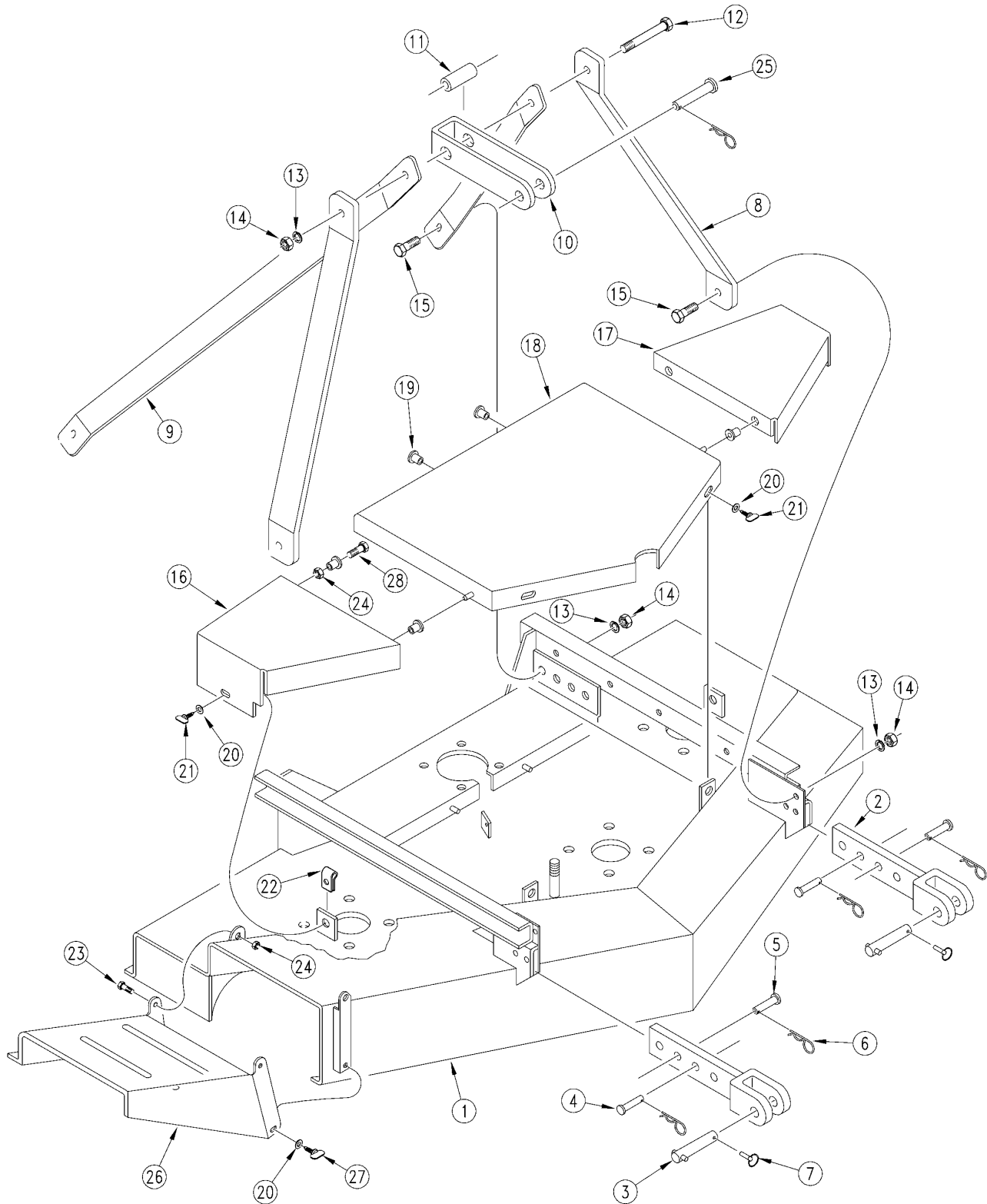
Serial Numbers

Always use the serial and model number when ordering parts. Refer to the Operator's Manual for serial number plate location.

- | | |
|----------------------|--|
| (S/N 20001+) | Includes serial numbers 20001 and above (to the latest number) |
| (S/N 10001 to 20000) | Includes serial numbers between and including 10001 and 20000 |
| (S/N 10000-) | Includes serial numbers 10000 and below (to the earliest number) |

Deck (S/N 59101-)

Applies to AT2560, AT2572



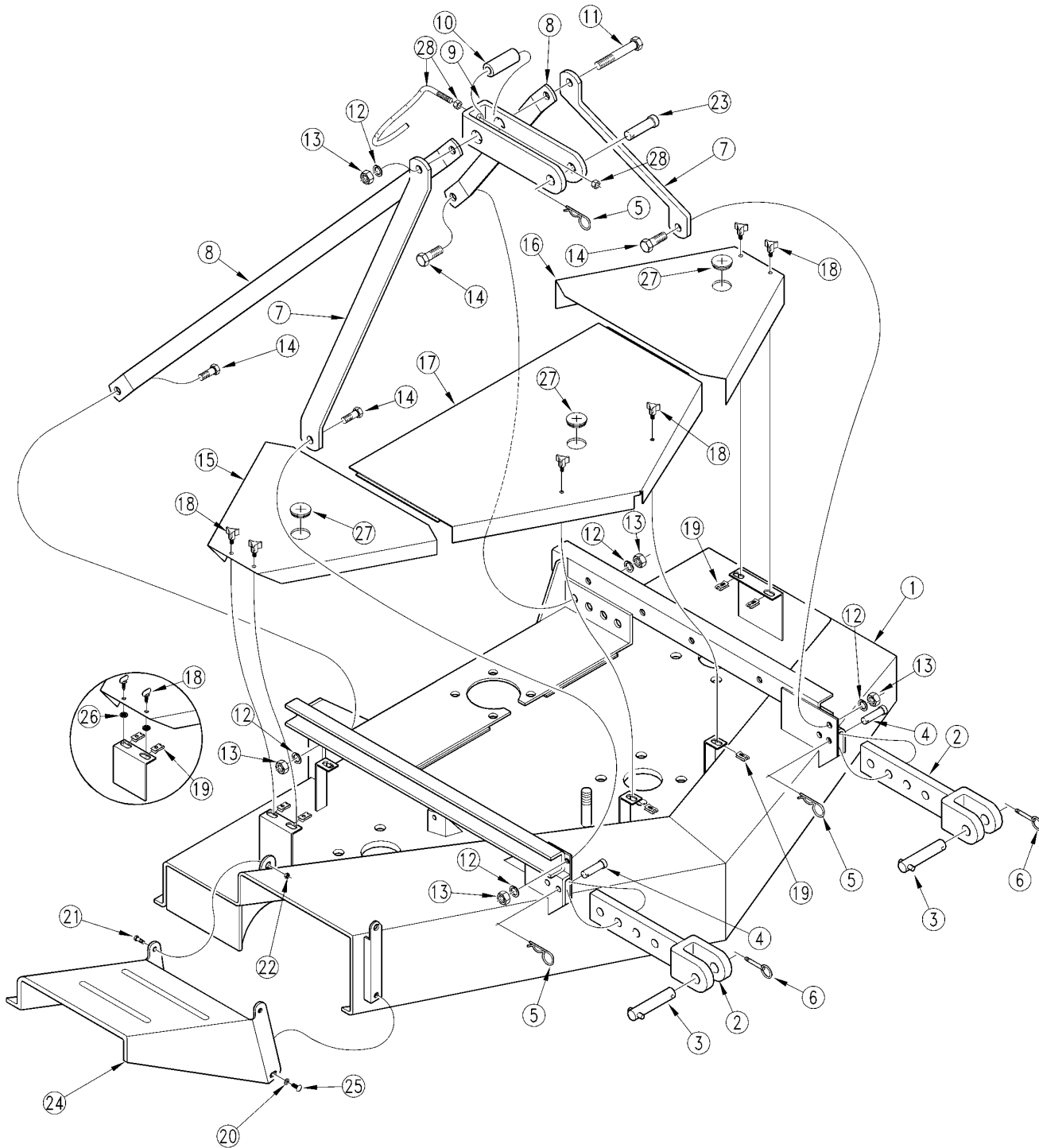
10827

Deck (S/N 59101-)**Applies to AT2560, AT2572**

Ref	Part No.	Part Description	Comments	Revision
	dwg10827	Drawing Image Number		
1.	310-067H	60 WT MOWER FRAME		
1.	310-028H	72 WT MOWER FRAME		
2.	310-019H	LOWER HITCH WELDMENT		
2.	310-212H	LOWER HITCH WELDMENT 16 1/8	Optional	
3.	310-020S	LOWER HITCH PIN		
4.	805-141C	PIN CLEVIS 5/8 X 2 1/2 PLT		
5.	805-140C	PIN CLEVIS 3/4 X 2 1/2 PLT		
6.	805-143C	PIN HAIR COTTER .120 PLT		
7.	805-015C	PIN LYNCH 5/16 X 1 3/4		
8.	310-068D	UPPER HITCH		
9.	310-067D	UPPER HITCH BRACE		
10.	310-015D	PIVOTING HITCH - UPPER		
11.	310-012D	SPACER - TOP HITCH		
12.	802-242C	HHCS 5/8-18X5 1/2 GR5		
13.	804-022C	WASHER LOCK SPRING 5/8 PLT		
14.	803-022C	NUT HEX 5/8-18 PLT		
15.	802-246C	HHCS 5/8-18X1 3/4 GR5		
16.	310-105D	RH BELT GUARD		
17.	310-106D	LH BELT GUARD		
18.	310-070H	CENTER COVER 60 WT		
18.	310-042H	72 WT CENTER BELT COVER		
19.	816-072C	BELT GUARD PIN CAP		
20.	804-007C	WASHER FLAT 1/4 SAE PLT		
21.	802-241C	WING 1/4-20X3/4		
22.	800-013C	1/4-20 X 1 U TYPE FASTENER		Rev. 2
22.	800-006C	RPBY 800-013C		Rev 1; Use up stock
23.	802-004C	HHCS 1/4-20X3/4 GR5		
24.	803-007C	NUT LOCK 1/4-20 PLT		
25.	805-142C	PIN CLEVIS 3/4 X 3 1/2 PLT		
26.	310-185D	DISCHARGE CHUTE 60		
26.	310-123D	72 WT DISCHARGE CHUTE		
27.	801-041C	SCREW THUMB 1/4-20 X 1/2 LG		
28.	802-224C	HHCS 1/4-20X1 1/4 GR5		

Deck (S/N 59102+)

Applies to AT2560



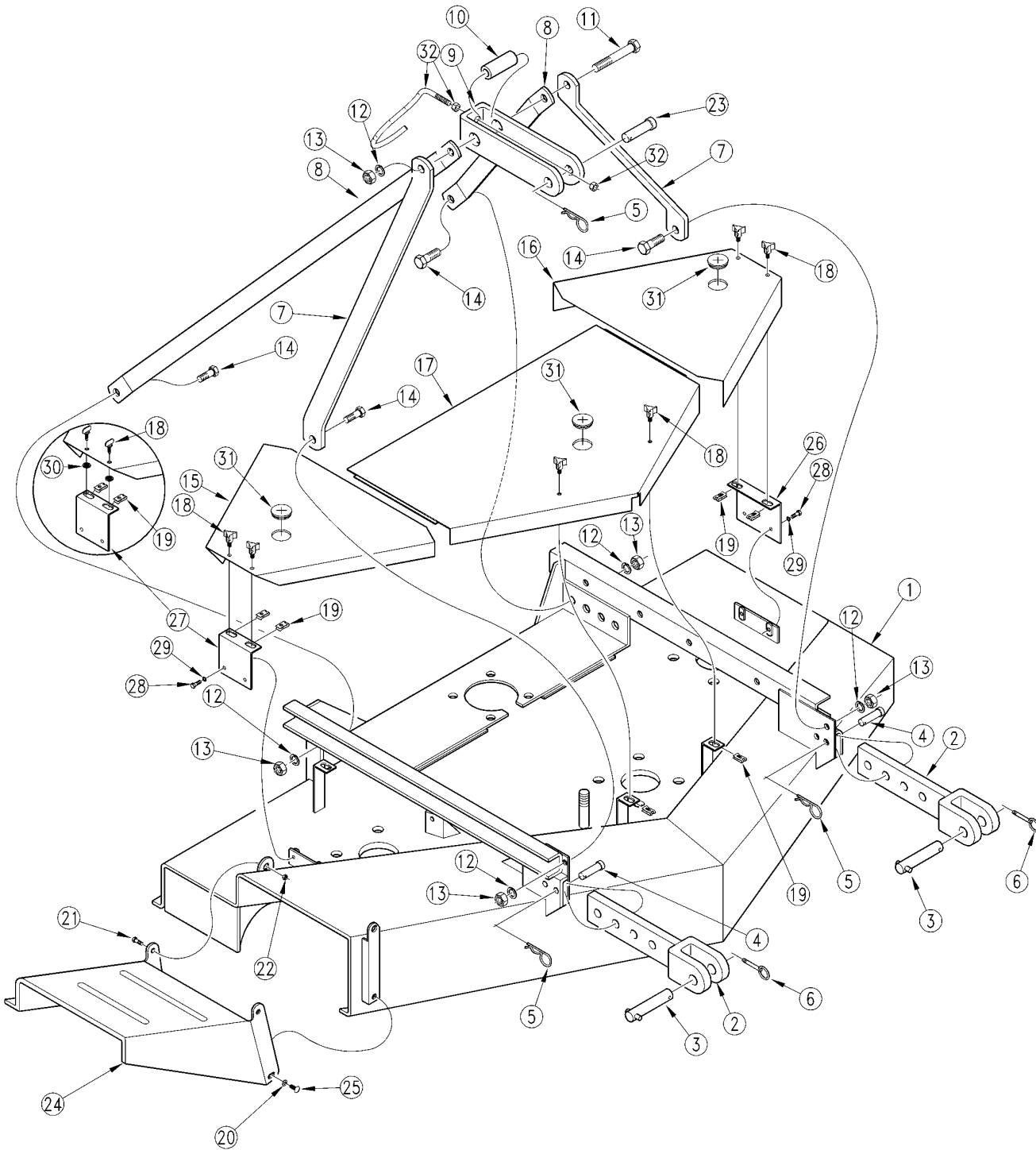
14161

Deck (S/N 59102+)**Applies to AT2560**

Ref	Part No.	Part Description	Comments	Revision
	dwg14161	Drawing Image Number		
1.	310-067H	60 WT MOWER FRAME		
2.	310-019H	LOWER HITCH WELDMENT		
2.	310-212H	LOWER HITCH WELDMENT 16 1/8	Optional	
3.	310-020S	LOWER HITCH PIN		
4.	805-140C	PIN CLEVIS 3/4 X 2 1/2 PLT		
5.	805-143C	PIN HAIR COTTER .120 PLT		
6.	805-015C	PIN LYNCH 5/16 X 1 3/4		
7.	310-068D	UPPER HITCH		
8.	310-067D	UPPER HITCH BRACE		
9.	310-015D	PIVOTING HITCH - UPPER		
10.	310-012D	SPACER - TOP HITCH		
11.	802-242C	HHCS 5/8-18X5 1/2 GR5		
12.	804-022C	WASHER LOCK SPRING 5/8 PLT		
13.	803-022C	NUT HEX 5/8-18 PLT		
14.	802-246C	HHCS 5/8-18X1 3/4 GR5		
15.	310-437D	AT2560 RH BELT COVER	(S/N 239292+)	Rev. 2 not compat. w/Rev. 1
15.	310-315D	AT2560 & 72 RH BELT GUARD	(S/N 239291-)	Rev. 1
16.	310-438D	AT2560 LH BELT COVER	(S/N 239292+)	Rev. 2 not compat. w/Rev. 1
16.	310-316D	AT2560 & 72 LH BELT GUARD	(S/N 239291-)	Rev. 1
17.	310-241H	AT2560 CENTER BELT COVER WLDMT	(S/N 239292+)	Rev. 2 not compat. w/Rev. 1
17.	310-142H	AT2560 & 72 CENTER BELT GUARD	(S/N 239291-)	Rev. 1
18.	817-192C	KNOB 3 PRONG 1/4-20 X 1/2 LG	(S/N 143133+)	Rev. 2 not compat. w/Rev. 1
18.	800-114C	WING HEAD SCREW W/WEAR WASHER	(S/N 59102<->143132)	Rev. 1
19.	800-163C	CLIP U-TYPE NUT 1/4-20 SLF-RET	(S/N 143133+)	Rev. 2 not compat. w/Rev. 1
19.	800-115C	CLIP, U-TYPE NUT	(S/N 59102<->143132)	Rev. 1
20.	804-007C	WASHER FLAT 1/4 SAE PLT		
21.	802-004C	HHCS 1/4-20X3/4 GR5		
22.	803-007C	NUT LOCK 1/4-20 PLT		
23.	805-142C	PIN CLEVIS 3/4 X 3 1/2 PLT		
24.	310-185D	DISCHARGE CHUTE		
25.	801-041C	SCREW THUMB 1/4-20 X 1/2 LG		
26.	800-116C	NYLON PUSH-ON RETAINER	(S/N 59102<->143132)	
27.	816-298C	RUBBER PLUG 1 3/8 W/CROSS SLIT	(S/N 239292+)	
28.	800-320C	DRIVELINE HOOK HANGER W/HRDWR	(S/N 317416+)	

Deck (S/N 59102+)

Applies to AT2572



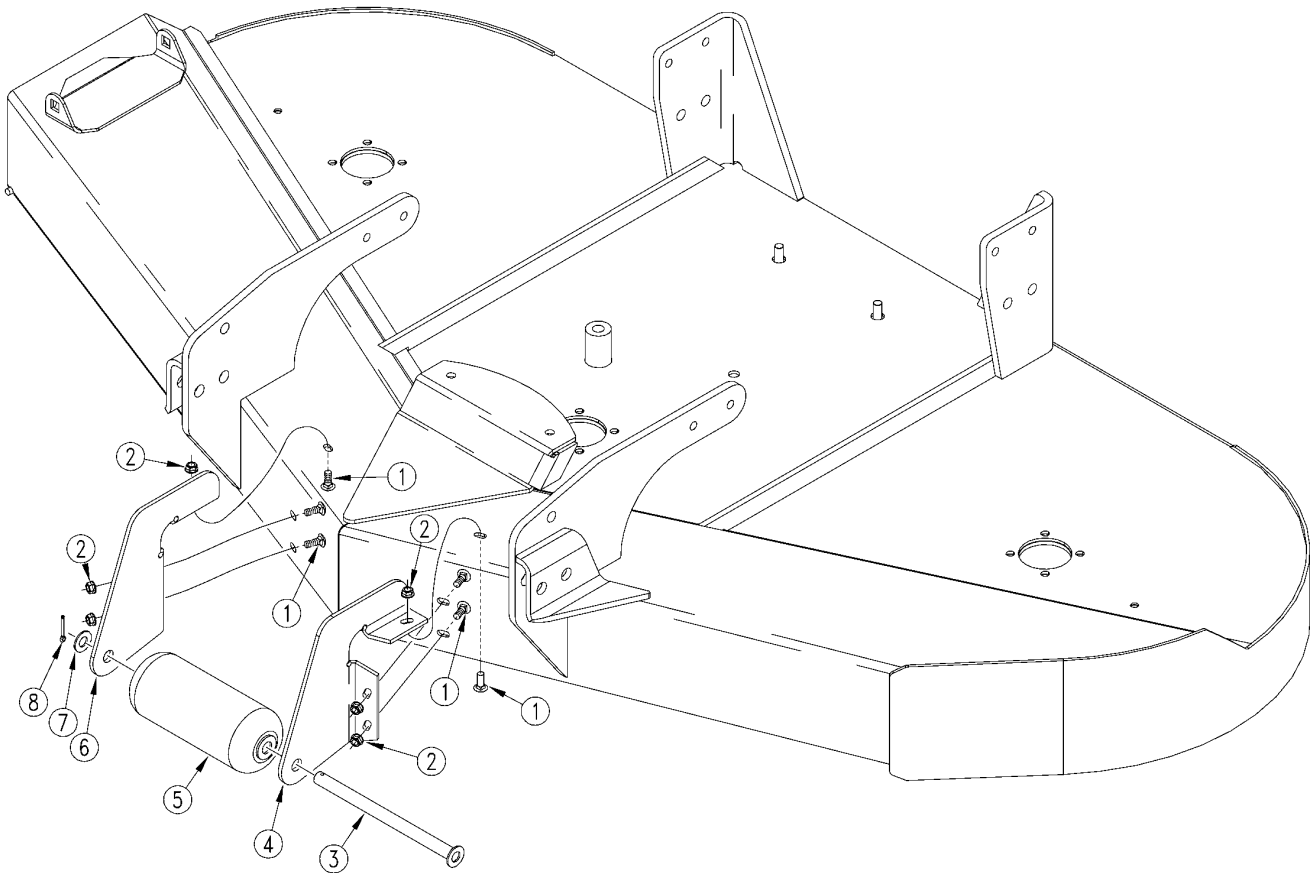
14162

Deck (S/N 59102+)**Applies to AT2572**

Ref	Part No.	Part Description	Comments	Revision
	dwg14162	Drawing Image Number		
1.	310-028H	72 WT MOWER FRAME		
2.	310-019H	LOWER HITCH WELDMENT		
2.	310-212H	LOWER HITCH WELDMENT 16 1/8	Optional	
3.	310-020S	LOWER HITCH PIN		
4.	805-140C	PIN CLEVIS 3/4 X 2 1/2 PLT		
5.	805-143C	PIN HAIR COTTER .120 PLT		
6.	805-015C	PIN LYNCH 5/16 X 1 3/4		
7.	310-068D	UPPER HITCH		
8.	310-067D	UPPER HITCH BRACE		
9.	310-015D	PIVOTING HITCH - UPPER		
10.	310-012D	SPACER - TOP HITCH		
11.	802-242C	HHCS 5/8-18X5 1/2 GR5		
12.	804-022C	WASHER LOCK SPRING 5/8 PLT		
13.	803-022C	NUT HEX 5/8-18 PLT		
14.	802-246C	HHCS 5/8-18X1 3/4 GR5		
15.	310-442D	AT2572 RH BELT COVER	(S/N 239292+)	Rev. 2 not compat. w/Rev. 1
15.	310-315D	AT2560 & 72 RH BELT GUARD	(S/N 239291-)	Rev. 1
16.	310-443D	AT2572 LH BELT COVER	(S/N 239292+)	Rev. 2 not compat. w/Rev. 1
16.	310-316D	AT2560 & 72 LH BELT GUARD	(S/N 239291-)	Rev. 1
17.	310-243H	AT2572 CENTER BELT COVER WLDMT	(S/N 239292+)	Rev. 2 not compat. w/Rev. 1
17.	310-142H	AT2560 & 72 CENTER BELT GUARD	(S/N 239291-)	Rev. 1
18.	817-192C	KNOB 3 PRONG 1/4-20 X 1/2 LG	(S/N 143133+)	Rev. 2 not compat. w/Rev. 1
18.	800-114C	WING HEAD SCREW W/WEAR WASHER	(S/N 59102<->143132)	Rev. 1
19.	800-163C	CLIP U-TYPE NUT 1/4-20 SLF-RET	(S/N 143133+)	Rev. 2 not compat. w/Rev. 1
19.	800-115C	CLIP, U-TYPE NUT	(S/N 59102<->143132)	Rev. 1
20.	804-007C	WASHER FLAT 1/4 SAE PLT		
21.	802-004C	HHCS 1/4-20X3/4 GR5		
22.	803-007C	NUT LOCK 1/4-20 PLT		
23.	805-142C	PIN CLEVIS 3/4 X 3 1/2 PLT		
24.	310-123D	72 WT DISCHARGE CHUTE		
25.	801-041C	SCREW THUMB 1/4-20 X 1/2 LG		
26.	310-332D	LH BELT GUARD BRACKET	(S/N 72226+)	
27.	310-333D	RH BELT GUARD BRACKET	(S/N 72226+)	
28.	802-078C	HHCS 1/4-20X5/8 GR5	(S/N 72226+)	
29.	804-006C	WASHER LOCK SPRING 1/4 PLT	(S/N 72226+)	
30.	800-116C	NYLON PUSH-ON RETAINER	(S/N 59102<->143132)	
31.	816-298C	RUBBER PLUG 1 3/8 W/CROSS SLIT	(S/N 239292+)	
32.	800-320C	DRIVELINE HOOK HANGER W/HRDWR	(S/N 317416+)	

Front Roller

Applies to AT2584



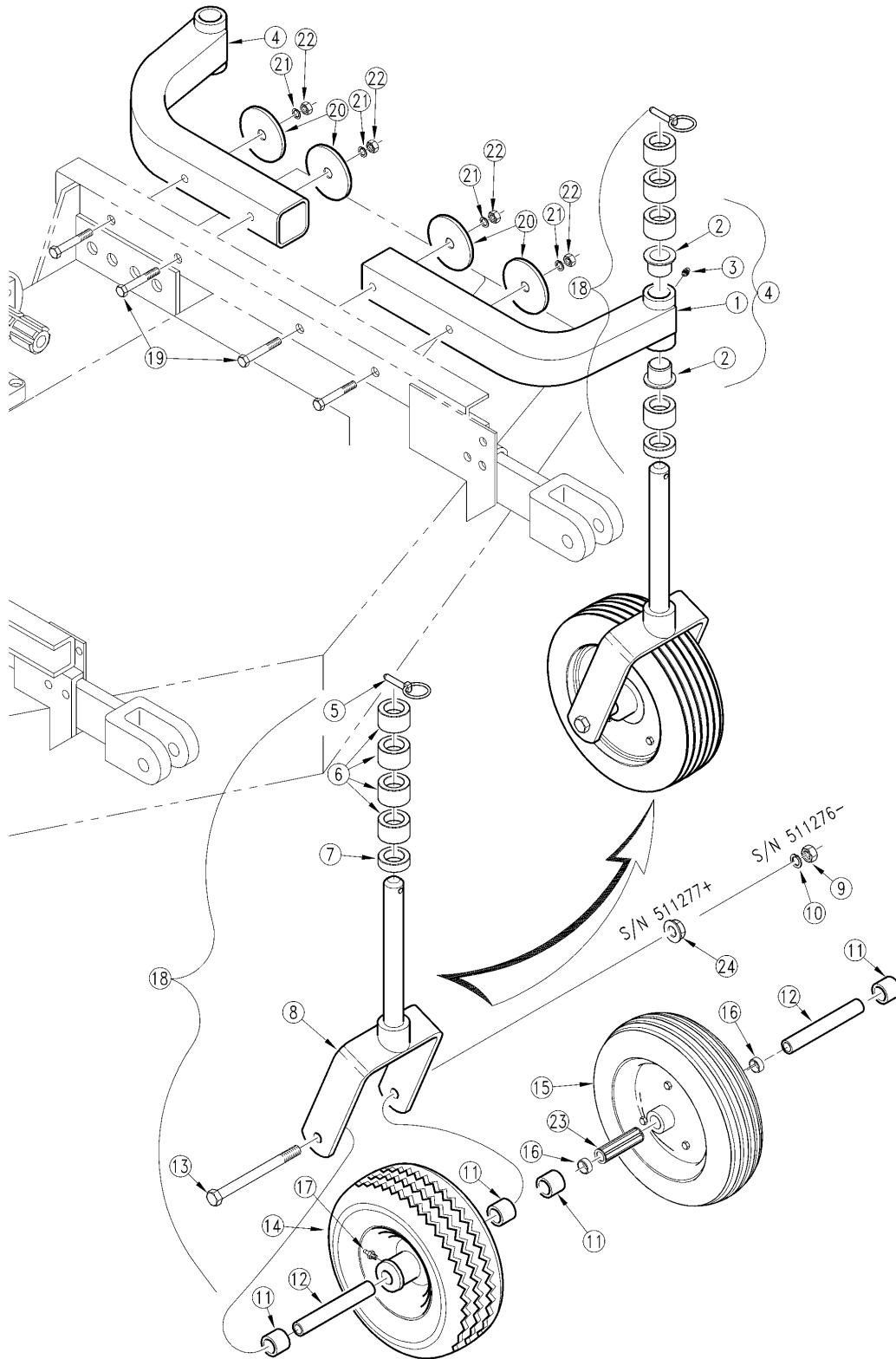
18882

Front Roller**Applies to AT2584**

Ref	Part No.	Part Description	Comments	Revision
	dwg18882	Drawing Image Number		
	310-317S	FRONT ROLLER AT2660-72-84		
1.	802-015C	RHSNB 3/8-16X1 GR5		
2.	803-025C	NUT HEX 3/4-10 PLT NYLOCK		
3.	310-266H	WLDMT. ROLLER SHAFT		
4.	310-551D	FRONT ROLLER BRACKET LH.		
5.	817-049C	4 X 10 ROLLER WHEEL		
6.	310-550D	FRONT ROLLER BRACKET RH.		
7.	804-025C	WASHER FLAT 3/4 SAE PLT		
8.	805-016C	PIN COTTER 3/16 X 1 1/4 PLT		

Gauge Wheel

Applies to AT2560, AT2572



10606

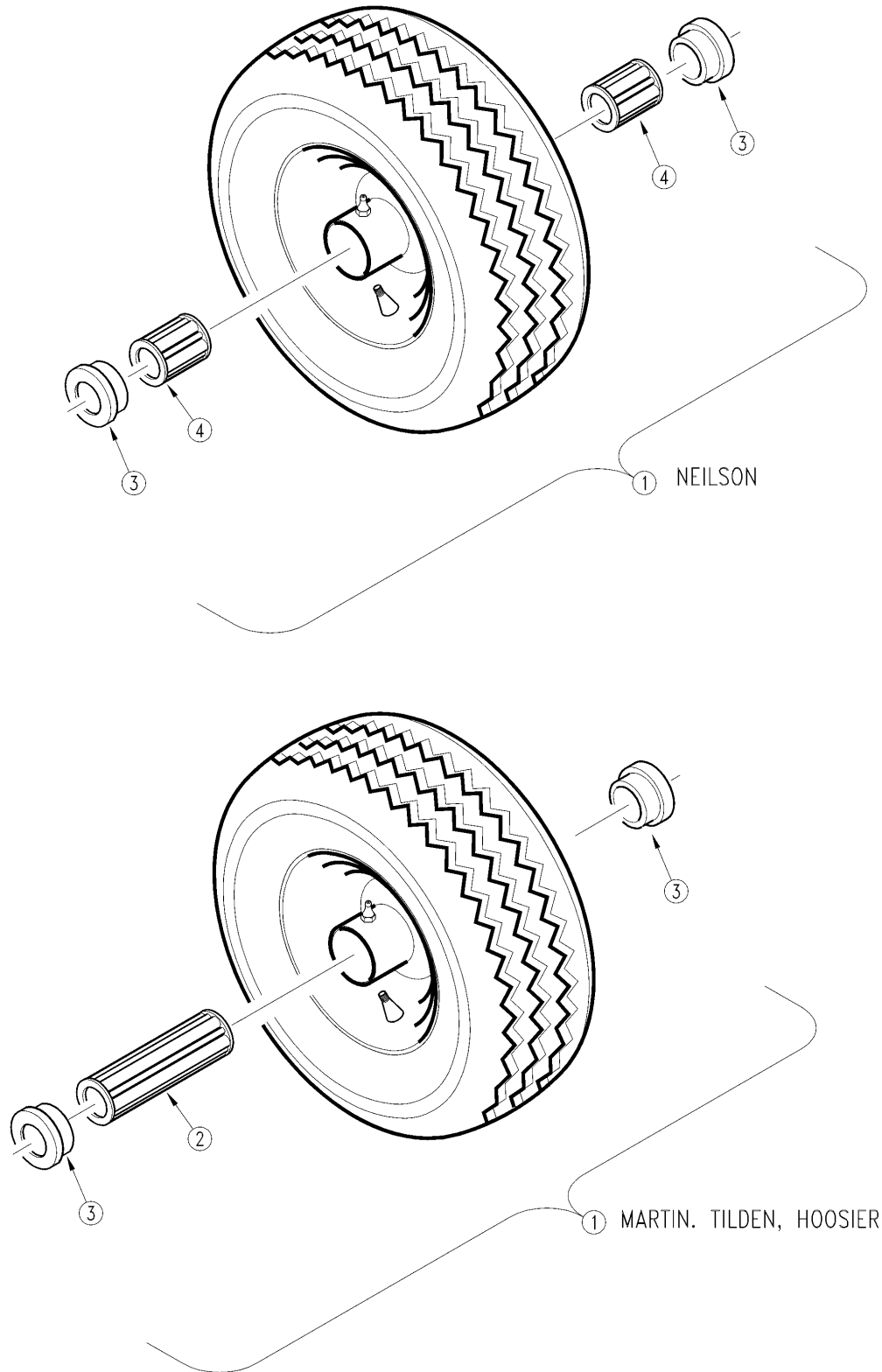
Gauge Wheel

Applies to AT2560, AT2572

Ref	Part No.	Part Description	Comments	Revision
	dwg10606	Drawing Image Number		
1.	310-014H	GAUGE WHEEL ARM WELDMENT		
2.	817-048C	SPINDLE BUSHING		
3.	800-001C	GREASE ZERK STRAIGHT 1/4-28		
4.	310-064S	GAUGE WHEEL ARM SUB		
5.	805-126C	PIN LYNCH 1/4 X 1 3/4 PLT	(S/N 264391+)	Rev. 2
5.	805-065C	PIN WIRE RETAINING 1/4 X 1 3/4	(S/N 264390-)	Rev 1; Use up stock
6.	827-002C	SPACER 1"		
7.	827-001C	SPACER 1/2"		
8.	310-149H	GAUGE WHEEL YOKE(5 1/8 INSIDE)	(S/N 159155+) Measure	Rev. 2 not compat. w/Rev. 1
8.	310-003H	GAUGE WHEEL YOKE(4 1/4 INSIDE)	(S/N 159154-) Measure	Rev. 1
9.	803-018C	NUT HEX 1/2-20 PLT	S/N 511276-	
10.	804-015C	WASHER LOCK SPRING 1/2 PLT	S/N 511276-	
11.	310-024D	GAUGE WHEEL SPACER - SHORT		
11.	310-329D	GAUGE WHEEL SPACER(SOLID TIRE)		
12.	310-328D	SPACER TUBE GA. WHL. 5 1/8 LG	(S/N 159155+)	Rev. 2 not compat. w/Rev. 1
12.	310-025D	SPACER TUBE - GW TIRE	(S/N 159154-)	Rev. 1
13.	802-350C	HHCS 1/2-20X6 1/2 GR5	(S/N 159155+)	Rev. 2 not compat. w/Rev. 1
13.	802-243C	HHCS 1/2-20X5 1/2 GR5	(S/N 159154-)	Rev. 1
14.	814-071C	TIRE 10 X 4 TUBELESS AIR		Rev. 2
14.	310-104V	RPBY 814-071C		Rev 1; Use up stock
15.	814-188C	TIRE 10X3.25 SOLID STRT RIB CR	(S/N 260900+)	Rev. 3
15.	814-146C	RPBY 814-188C	(S/N 260899-)	Rev 2; Use up stock
15.	814-057C	SOLID TIRE WHEEL 10 1/4X3 1/4		Rev 1; Use up stock
16.	890-189C	BUSHING 3/4 I.D. 1 3/8 X 1 LG	Dimensional check before ordering	
16.	87010	HS BUSH 3/4"IDX1 1/8"ODX 5/8LG	Dimensional check before ordering	
16.	87040	HS BRG 3/4ID X 1.407OD X 5/8LG	Fits 814-146C item #15 only	
17.	800-100C	ZERK STAKED		
18.	310-017S	GAUGE WHEEL & YOKE SUB	Solid tire	
18.	310-105S	4X10 AIR TIRE & YOKE ASSY	Air Tire	
19.	802-099C	HHCS 1/2-13X3 1/4 GR5	AT2560 & AT2572 (S/N 254752+)	Rev. 2 not compat. w/Rev. 1
19.	802-245C	HHCS 3/8-24X3 GR 5	AT2560 & AT2572 (S/N 254751-)	Rev. 1
20.	804-174C	WASHER 1 1/2 OD X 17/32 ID PLT	AT2560 & AT2572 (S/N 254752+)	Rev. 3 not compat. w/Rev. 2
20.	804-080C	WASHER 1 1/2 OD X 13/32 ID PLT	AT2560 & AT2572 (S/N 254751-)	Rev. 2
20.	310-310D	RPBY 804-080C		Rev 1; Use up stock
21.	804-015C	WASHER LOCK SPRING 1/2 PLT	AT2560 & AT2572 (S/N 254752+)	Rev. 2 not compat. w/Rev. 1
21.	804-013C	WASHER LOCK SPRING 3/8 PLT	AT2560 & AT2572 (S/N 254751-)	Rev. 1
22.	803-020C	NUT HEX 1/2-13 PLT	AT2560 & AT2572 (S/N 254752+)	Rev. 2 not compat. w/Rev. 1
22.	803-146C	NUT HEX 3/8-24 PLT	AT2560 & AT2572 (S/N 254751-)	Rev. 1
23.	87410	HS CGD RLR BRG.75IDX1.37X1.5LG		
24.	802-308C	NUT HEX FLG/LK 1/2-20 PLT.GR.G	S/N 511277+	

Gauge Wheel Tire (814-071C)

Applies to AT2560, AT2572



13629

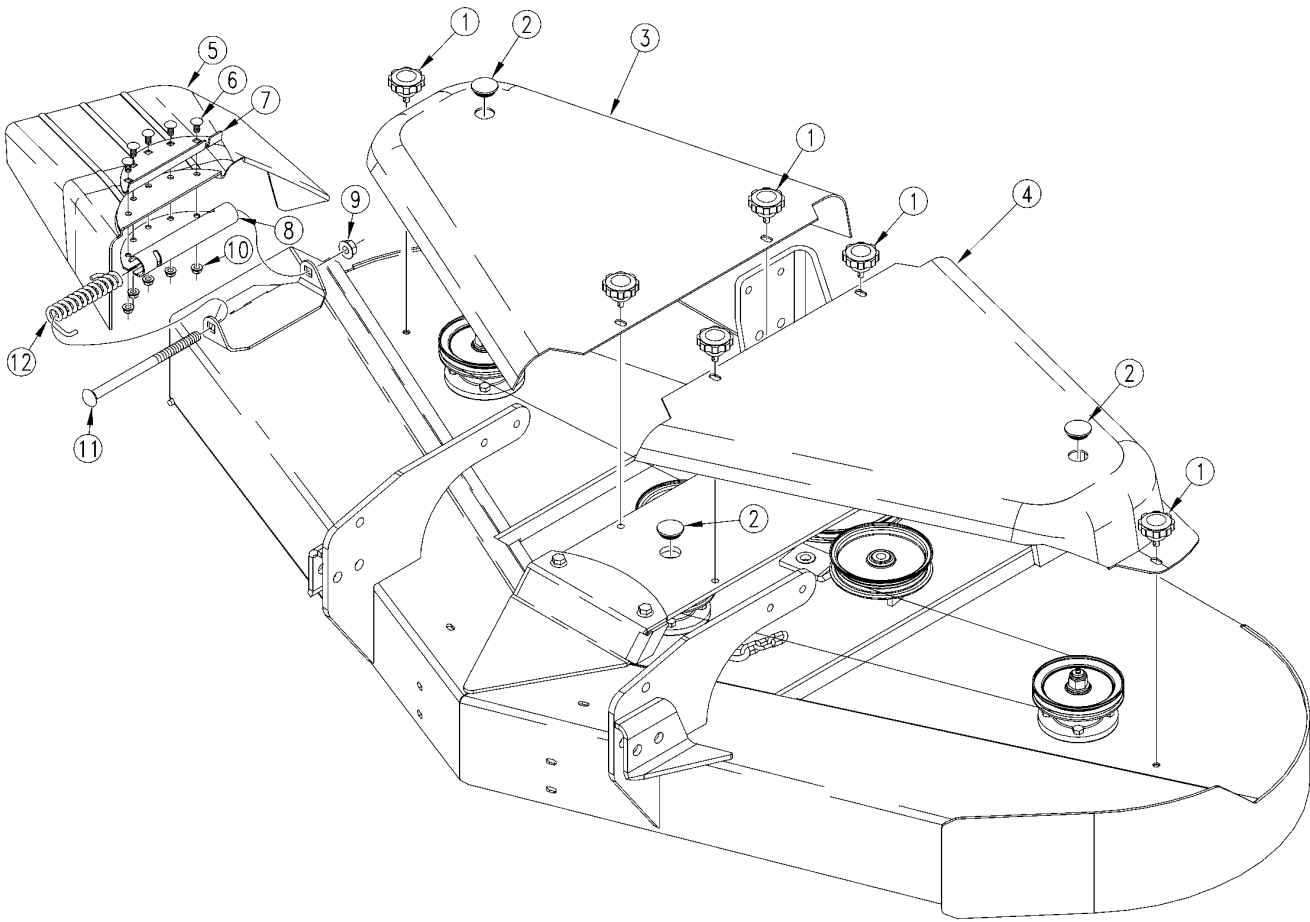
Gauge Wheel Tire (814-071C)

Applies to AT2560, AT2572

Ref	Part No.	Part Description	Comments	Revision
	dwg13629	Drawing Image Number		
1.	814-071C	TIRE 10 X 4 TUBELESS AIR		
2.	53-182	TILDEN BRG 3/4IDX1 3/8ODX3 1/4		
3.	53-164	TILDEN RTNR 3/4IDX1 3/8ODX1/4L		
4.	53-189	TILDEN BRG 3/4ID1.34ODX15/16L		

Guards

Applies to AT2584



18883

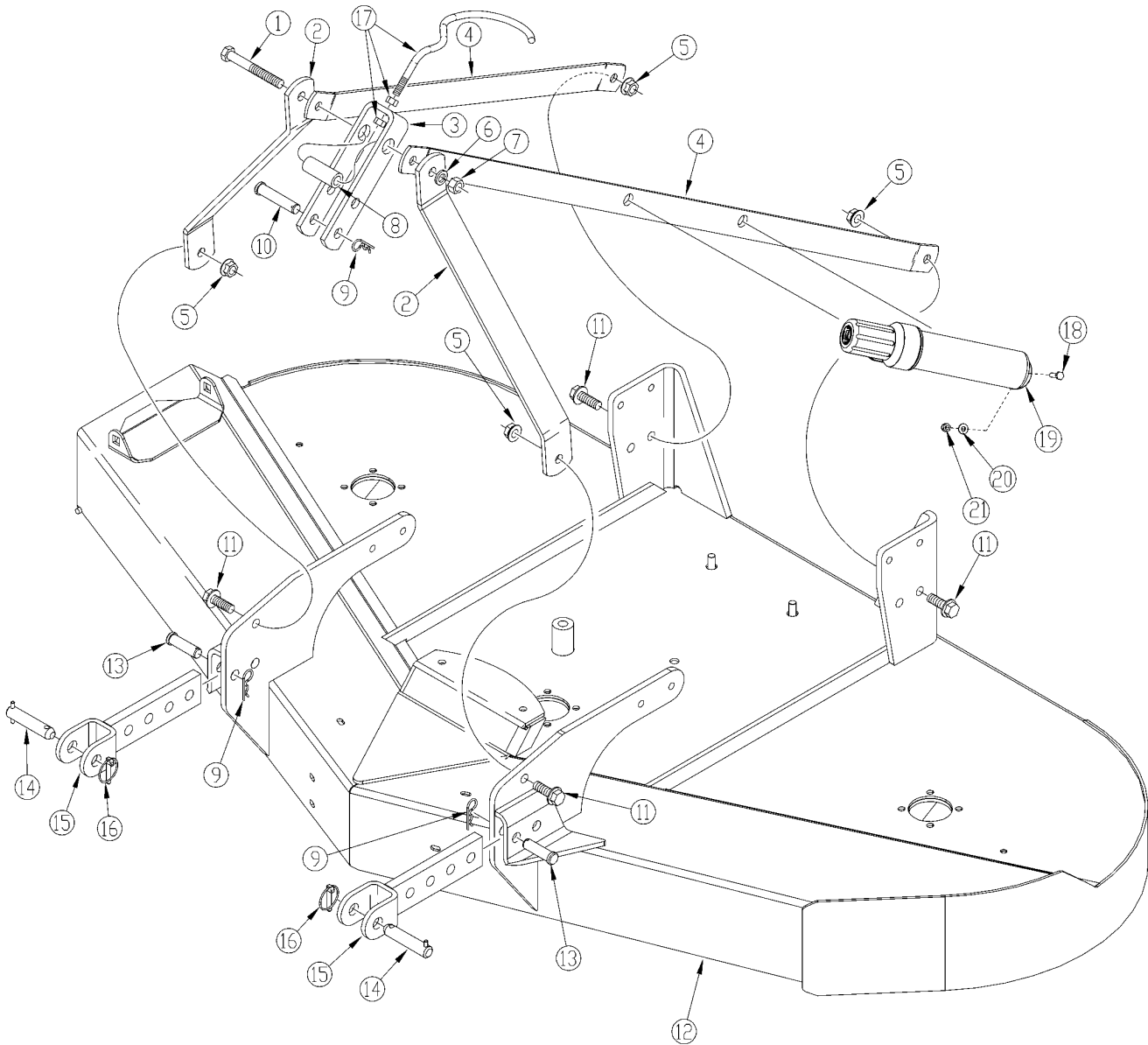
Guards

Applies to AT2584

Ref	Part No.	Part Description	Comments	Revision
	dwg18883	Drawing Image Number		
1.	817-358C	KNOB 3/8-16 MALE THD 2 3/8OD		
2.	816-298C	RUBBER PLUG 1 3/8 W/CROSS SLIT		
3.	817-428C	PLASTIC BELT GUARD RH. AT2660		
3.	817-436C	PLASTIC BELT GUARD RH. AT2672		
3.	817-408C	PLASTIC BELT GUARD RH. AT2584		
4.	817-429C	PLASTIC BELT GUARD LH. AT2660		
4.	817-437C	PLASTIC BELT GUARD LH. AT2672		
4.	817-409C	PLASTIC BELT GUARD LH. AT2584		
5.	817-427C	RUBBER DISCHARGE DEFLECTOR	AT2660 & AT2672	
5.	817-412C	RUBBER DISCHARGE DEFLECTOR	AT2684 (Shown)	
6.	802-149C	RHSNB 3/8-16X3/4 GR5		
7.	310-578D	TOP PLATE HINGE SUPPORT	AT2660 & AT2672	
7.	310-563D	TOP PLATE HINGE SUPPORT	AT2684 (Shown)	
8.	310-579D	HINGE SUPPORT	AT2660 & AT2672	
8.	310-562D	HINGE SUPPORT	AT2684 (Shown)	
9.	803-263C	NUT HEX FLANGE LOCK 5/8-11		
10.	803-198C	NUT HEX WHIZ 3/8-16 PLT		
11.	802-692C	RHSNB 5/8-11X7 1/2 PLT	AT2660 & AT2672	
11.	802-688C	RHSNB 5/8-11X10 GR5 PLT	AT2684 (Shown)	
12.	807-189C	SPRING TORSION		

Hitch

Applies to AT2584



18881

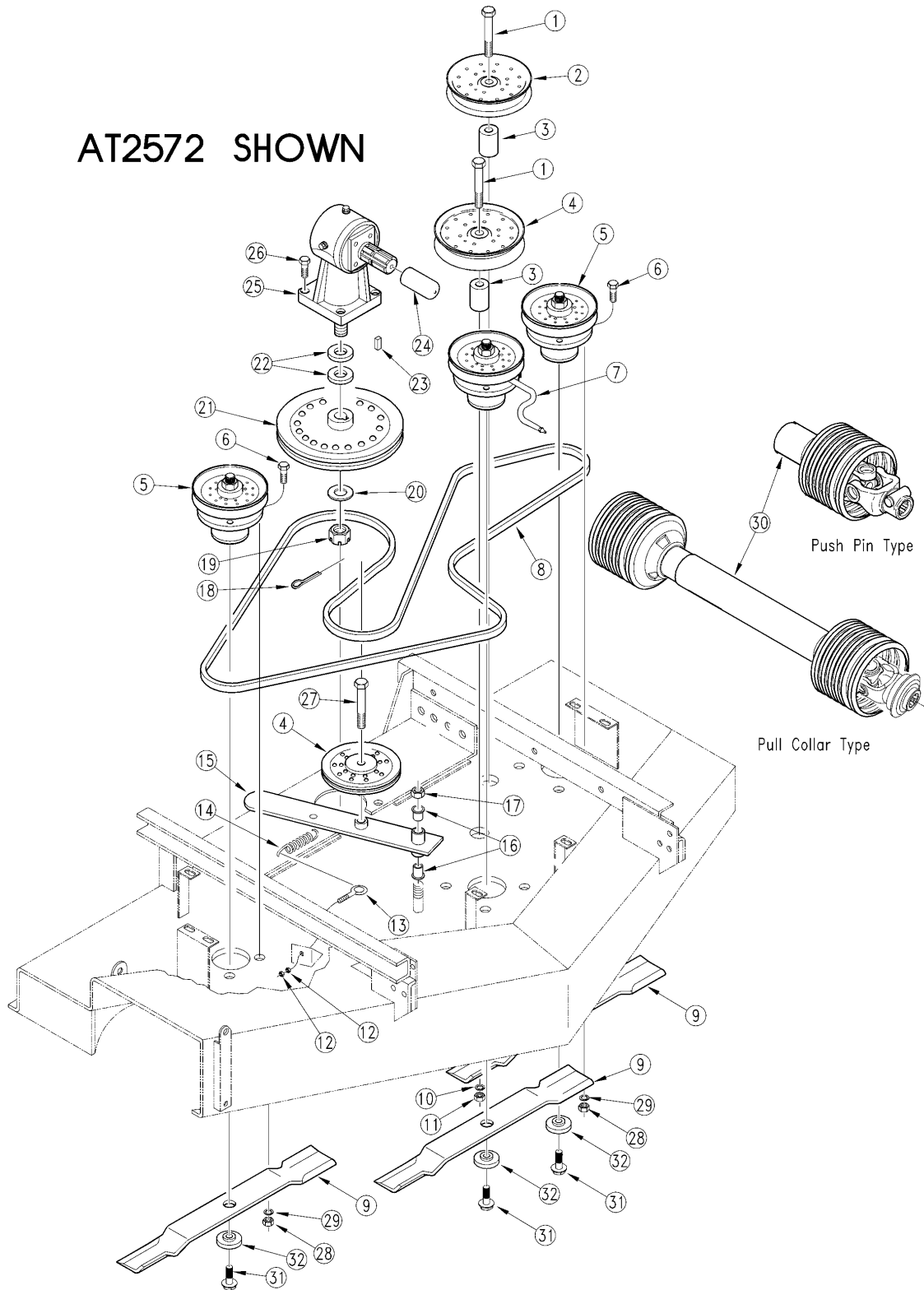
Hitch**Applies to AT2584**

Ref	Part No.	Part Description	Comments	Revision
	dwg18881	Drawing Image Number		
1.	802-307C	HHCS 5/8-18X5 GR5		
2.	310-474D	A-FRAME		
3.	310-015D	PIVOTING HITCH - UPPER		
4.	310-583D	REAR BRACE	AT2660	
4.	310-597D	REAR BRACE	AT2672	
4.	310-475D	REAR BRACE	AT2584 (Shown)	
5.	803-263C	NUT HEX FLANGE LOCK 5/8-11		
6.	804-022C	WASHER LOCK SPRING 5/8 PLT		
7.	803-022C	NUT HEX 5/8-18 PLT		
8.	310-012D	SPACER - TOP HITCH		
9.	805-143C	PIN HAIR COTTER .120 PLT		
10.	805-142C	PIN CLEVIS 3/4 X 3 1/2 PLT		
11.	802-657C	HFS 5/8-11 X 1 3/4 GR5/8		
12.	310-321H	WLDMT. AT2660		
12.	310-329H	WLDMT. AT2672		
12.	310-290H	WLDMT. AT2584	(Shown)	
13.	805-140C	PIN CLEVIS 3/4 X 2 1/2 PLT		
14.	310-020S	LOWER HITCH PIN		
15.	310-019H	LOWER HITCH WELDMENT		
15.	310-212H	LOWER HITCH WELDMENT 16 1/8	Optional	
16.	805-015C	PIN LYNCH 5/16 X 1 3/4		
17.	800-320C	DRIVELINE HOOK HANGER W/HRDWR	(S/N 317416+)	
18.	802-005C	HHCS 1/4-20X1 GR5	(S/N _____+)	
19.	816-504C	MANUAL STORAGE CONTAINER	(S/N _____+)	
20.	804-007C	WASHER FLAT 1/4 SAE PLT	(S/N _____+)	
21.	803-255C	NUT HEX NYLOCK 1/4-20	(S/N _____+)	

Belt Drive (S/N 212180-)

Applies to AT2560, AT2572

AT2572 SHOWN



11754

Belt Drive (S/N 212180-)**Applies to AT2560, AT2572**

Ref	Part No.	Part Description	Comments	Revision
	dwg11754	Drawing Image Number		
1.	802-237C	HHCS 5/8-18X4 GR5		
2.	808-074C	V-IDLER PULLEY 5 O.D.	(S/N 72225- AT2572)	
2.	808-128C	B-GROOVE IDLER PULLEY 6.25 OD	(S/N 72226+ AT2572)	
3.	310-051D	IDLER SPACER		
4.	808-073C	FLAT IDLE PULLEY 6 1/4 O.D.	(S/N 72225- AT2572)	
4.	808-129C	FLAT IDLER PULLEY 6 3/4 O.D.	(S/N 72226+ AT2572)	
5.	310-132S	CW SPDLE HUB ASSY 5"PULL 3"TB	(S/N 72225- AT2572)	Rev. 2 not compat. w/Rev. 1
5.	310-161S	CW SPDLE HUB ASSY 6"PULL 3"TB	(S/N 72226+ AT2572)	Rev. 1
5.	310-137S	CW SPDLE HUB ASSY 5"PULL 4.5TB	AT2560" mower	
6.	802-229C	HHCS 7/16-20X1 1/2 GR8		
7.	310-138S	CW SPDLE HUB ASSY 5PULL 7.4BTB	AT2560 & AT2572 (S/N 72225-)	Rev. 2 not compat. w/Rev. 1
7.	310-162S	CW SPDLE HUB ASSY 6PULL 7.4BTB	(S/N 72226+ AT2572)	Rev. 1
8.	816-063C	V-BELT B144 146.9 E.L. KEVLAR	AT2560" Mower	
8.	816-064C	V-BELT B158 160.9 E.L. KEVLAR	(S/N 72225- AT2572)	
8.	816-141C	V-BELT B173 175.9 E.L. KEVLAR	(S/N 72226+ AT2572)	
9.	890-171C	MWR BLD 1/4 X 20 29/32SD HL CW	Standard High Lift Blades 3 per 60" mower	
9.	890-375C	MWR BLD 1/4 X 20 29/32SD ML CW	Optional Medium Lift Blades 3 per 60" mower	
9.	890-204C	MWR BLD 5/16X20 29/32SD LL CW	Optional Low Lift Blades 3 per 60" mower	
9.	890-702C	MWR BLD MULCH 1/4X20.91SD CW	Optional Mulch Blades 3 per 60" Mower	
9.	890-172C	MWR BLD 1/4 X 25SD HL CW	Standard High Lift Blades 3 per 72" mower	
9.	890-318C	MWR BLD 1/4 X 25SD ML CW	Optional Medium Lift Blades 3 per 72" mower	
9.	890-200C	MWR BLD 5/16 X 25SD LL CW	Optional Low Lift Blades 3 per 72" mower	
9.	890-698C	MWR BLD MULCH 1/4X25SD CW	Optional Mulch Blades 3 per 72" Mower	
10.	804-022C	WASHER LOCK SPRING 5/8 PLT		
11.	803-022C	NUT HEX 5/8-18 PLT		
12.	803-014C	NUT HEX 3/8-16 PLT	(S/N 174815+)	Rev. 2 not compat. w/Rev. 1
12.	803-006C	NUT HEX 1/4-20 PLT	(S/N 174814-)	Rev. 1
13.	802-567C	SP EYE 3/8-16X4	(S/N 174815+)	Rev. 2 not compat. w/Rev. 1
13.	802-233C	SP EYE 1/4-20X2 3/4	(S/N 174814-)	Rev. 1
14.	807-068C	SPRING EXT BELT HANDLE		
15.	310-088H	TAKE-UP HANDLE-NEW SPRING		
16.	817-028C	DOUBLE DISK ARM PIVOT BUSHINGS		
17.	803-119C	NUT LOCK 5/8-18 NYLOK COLLAR P		
18.	805-017C	PIN COTTER 3/16 X 1 3/4 PLT		
19.	8.2.2.01144	NUT M 24 X 2		
20.	8.3.2.00409	FLAT WASHER 24 X 44 X 4		
21.	808-077C	B-GROOVE PULLEY 10 O.D.	AT2560" mower	
21.	808-126C	B-GROOVE DRIVE PULLEY 11 O.D.	(S/N 72226+ AT2572)	Rev. 2 not compat. w/Rev. 1
21.	808-076C	B-GROOVE PULLEY 9 O.D.	(S/N 72225- AT2572)	Rev. 1
22.	310-041D	GEAR BOX SPACER	(S/N 204084-)	
23.	310-331D	KEY 1/4" X 11/16" LONG		
24.	817-050C	GEARBOX SHAFT PROTECTOR		
25.	826-203C	REP BY 826-325C	(S/N 204085+)	Rev. 3 not compat. w/Rev. 2
25.	826-081C	RPBY 826-203C	(S/N 204084-)	Rev. 2
25.	826-011C	RPBY 826-081C		Rev 1; Use up stock
26.	802-246C	HHCS 5/8-18X1 3/4 GR5	Used with 826-081C	
26.	802-207C	HHCS 5/8-18X1 1/2 GR5	Used with 826-011C	
27.	802-239C	HHCS 5/8-18X2 1/2 GR5		
28.	803-115C	NUT HEX 7/16-20 PLT		

Belt Drive (S/N 212180-) (continued)

Applies to AT2560, AT2572

Ref	Part No.	Part Description	Comments	Revision
29.	804-014C	WASHER LOCK 7/16 PLT		
30.	826-012C	PTO SHAFT 35HP X 34 W/EXT CONE		
30.	826-064C	PTO CAT. 3 X 34		
31.	802-384C	HFS 1/2-20X1 1/4 GR5	Replaces 802-326C & 804-015C.	Rev. 2
31.	802-326C	HHCS 1/2-20X1 1/4 GR5	Replaced by 802-384C.	Rev 1; Use up stock
31.	804-015C	WASHER LOCK SPRING 1/2 PLT	Replaced by 802-384C.	Rev 1; Use up stock
32.	804-110C	WASHER BLADE 2ODX.56THKX.51ID		Rev. 2
32.	310-043D	RPBY 804-110C		Rev 1; Use up stock

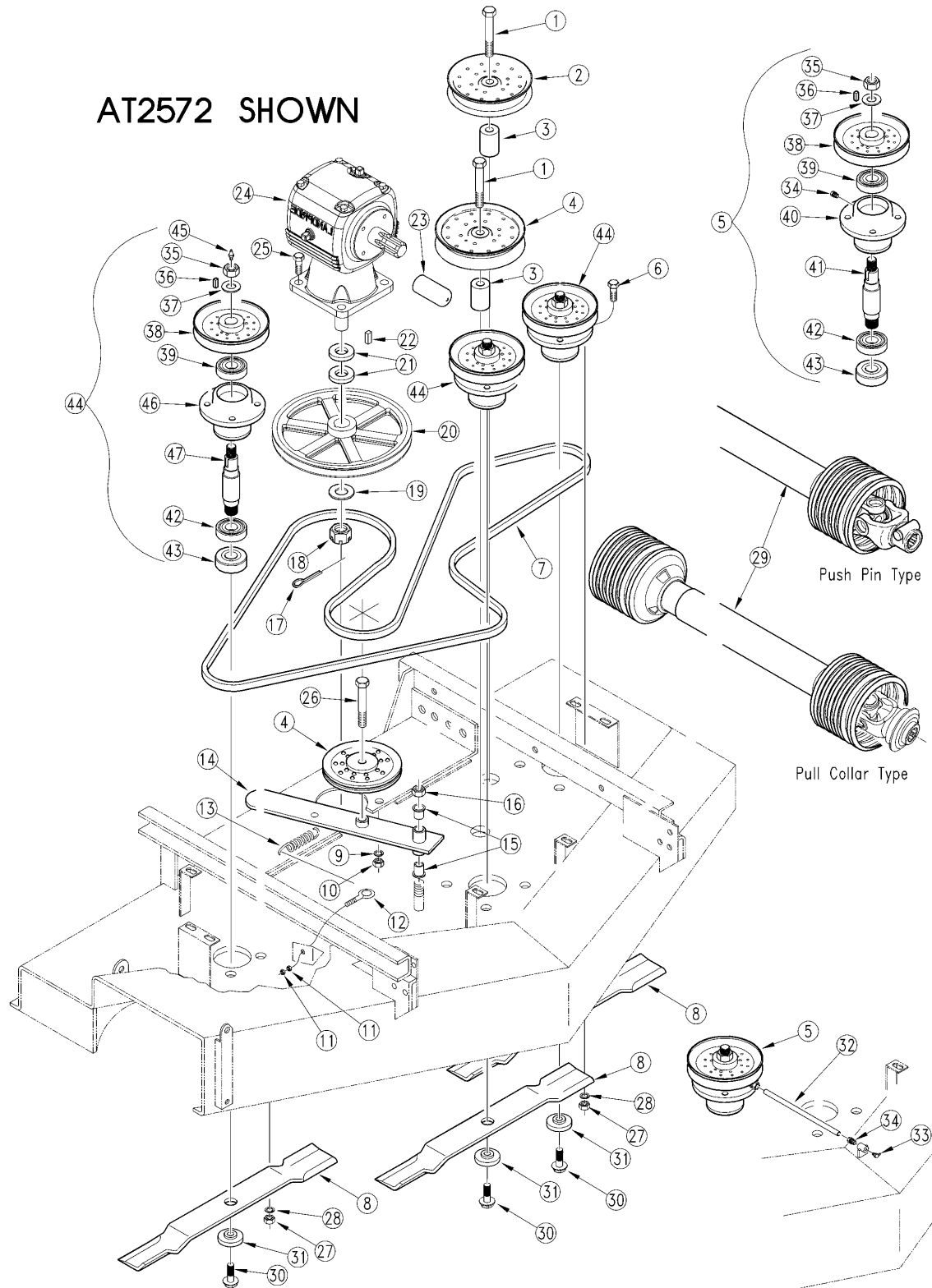
Belt Drive (S/N 212180-) (continued)

Applies to AT2560, AT2572

This Page Intentionally Left Blank

Belt Drive (S/N 212181+)

Applies to AT2560, AT2572



16499

Belt Drive (S/N 212181+)**Applies to AT2560, AT2572**

Ref	Part No.	Part Description	Comments	Revision
	dwg16499	Drawing Image Number		
1.	802-237C	HHCS 5/8-18X4 GR5		
2.	808-074C	V-IDLER PULLEY 5 O.D.	(S/N 72225- AT2572)	
2.	808-128C	B-GROOVE IDLER PULLEY 6.25 OD	(S/N 72226+ AT2572)	
3.	310-051D	IDLER SPACER		
4.	808-073C	FLAT IDLE PULLEY 6 1/4 O.D.	(S/N 72225- AT2572)	
4.	808-129C	FLAT IDLER PULLEY 6 3/4" O.D.	(S/N 72226+ AT2572)	
5.	315-375S	CW SPINDLE HUB ASSEMBLY 5"	(S/N 239291-) AT2560	
5.	315-378S	CW SPINDLE HUB ASSEMBLY 6"	(S/N 239291-) AT2572	
6.	802-229C	HHCS 7/16-20X1 1/2 GR8		
7.	816-063C	V-BELT B144 146.9 E.L. KEVLAR	AT2560	
7.	816-141C	V-BELT B173 175.9 E.L. KEVLAR	AT2572	
8.	890-171C	MWR BLD 1/4 X 20 29/32SD HL CW	Standard High Lift Blades 3 per 60" mower	
8.	890-375C	MWR BLD 1/4 X 20 29/32SD ML CW	Optional Medium Lift Blades 3 per 60" mower	
8.	890-204C	MWR BLD 5/16X20 29/32SD LL CW	Optional Low Lift Blades 3 per 60" mower	
8.	890-702C	MWR BLD MULCH 1/4X20.91SD CW	Optional Mulch Blades 3 per 60" Mower	
8.	890-172C	MWR BLD 1/4 X 25SD HL CW	Standard High Lift Blades 3 per 72" mower	
8.	890-318C	MWR BLD 1/4 X 25SD ML CW	Optional Medium Lift Blades 3 per 72" mower	
8.	890-200C	MWR BLD 5/16 X 25SD LL CW	Optional Low Lift Blades 3 per 72" mower	
8.	890-698C	MWR BLD MULCH 1/4X25SD CW	Optional Mulch Blades 3 per 72" Mower	
9.	804-022C	WASHER LOCK SPRING 5/8 PLT		
10.	803-022C	NUT HEX 5/8-18 PLT		
11.	803-014C	NUT HEX 3/8-16 PLT		
12.	802-567C	SP EYE 3/8-16X4		
13.	807-068C	SPRING EXT BELT HANDLE		
14.	310-088H	TAKE-UP HANDLE-NEW SPRING		
15.	817-028C	DOUBLE DISK ARM PIVOT BUSHINGS		
16.	803-119C	NUT LOCK 5/8-18 NYLOK COLLAR P		
17.	805-017C	PIN COTTER 3/16 X 1 3/4 PLT		
18.	8.2.2.01144	NUT M 24 X 2		
19.	8.3.2.00409	FLAT WASHER 24 X 44 X 4		
20.	808-334C	B-GROOVE PULLEY 10" CAST-IRON	(S/N 359859+) AT25 60" mowers	Rev. 2
20.	808-077C	B-GROOVE PULLEY 10 O.D.	(S/N 359858-)	Rev. 1
20.	808-076C	B-GROOVE PULLEY 9 O.D.	(S/N 359858-)	Rev. 1
20.	808-335C	B-GROOVE PULLEY 11" CAST-IRON	(S/N NR +) AT2572 mowers	Rev. 2 not compat. w/Rev. 1
20.	808-126C	B-GROOVE DRIVE PULLEY 11 O.D.	(S/N NR -)	Rev. 1
21.	310-041D	GEAR BOX SPACER		
22.	310-331D	KEY 1/4" X 11/16" LONG		
23.	817-050C	GEARBOX SHAFT PROTECTOR	(S/N 220346-)	
24.	826-325C	GBOX MOWER 50 HP 1:2.5 CW	(S/N 335075+)	Rev. 2 not compat. w/Rev. 1
24.	826-203C	RPBY 826-325C	(S/N 335074-)	Rev. 1
25.	802-207C	HHCS 5/8-18X1 1/2 GR5		
26.	802-239C	HHCS 5/8-18X2 1/2 GR5		
27.	803-115C	NUT HEX 7/16-20 PLT		
28.	804-014C	WASHER LOCK 7/16 PLT		
29.	826-012C	PTO SHAFT 35HP X 34 W/EXT CONE		
29.	826-064C	PTO CAT. 3 X 34		
30.	802-695C	HFS 1/2-20X2 GR8	(S/N 329661+)	Rev. 2 not compat. w/Rev. 1
30.	802-384C	HFS 1/2-20X1 1/4 GR5	(S/N 329660-)	Rev. 1
31.	804-110C	WASHER BLADE 2ODX.56THKX.51ID		

Belt Drive (S/N 212181+) (continued)

Applies to AT2560, AT2572

Ref	Part No.	Part Description	Comments	Revision
32.	990-109R	TUBE NYLON 1/4OD X 062WL	(S/N 239291-)	
33.	800-193C	GREASE ZERK 1/8NPT 45-DEG	(S/N 239291-)	
34.	800-157C	FTG TUBE,CONNECTOR 1/8 MNPT	(S/N 239291-)	
35.	803-114C	NUT LOCK 3/4-16 NYLOC COLLAR		
36.	172-242D	1/4 SQ. KEY X 7/8 LG		
37.	804-093C	WASHER FLAT 3/4 HARD ASTM436		
38.	808-075C	B-GROOVE PULLEY 5 O.D.	AT2560,	
38.	808-127C	B-GROOVE DRIVE PULLEY 6 O.D.	AT2572	
39.	822-161C	BEARING 6206 W/ METAL SHIELD		
40.	310-224D	BLADE HUB - MACH	(S/N 329661+)	
41.	310-361D	REP BY 310-348S	(S/N 239292 <-> 329660)	
42.	822-006C	BEARING 206		
43.	310-300D	BLADE HUB - 7/8		
44.	310-248S	CW TG SPINDLE HUB ASSY 5" PULL	(S/N 239292+)	
44.	310-249S	CW TG SPINDLE HUB ASSY 6" PULL	(S/N 239292+) AT2572	
45.	800-001C	GREASE ZERK STRAIGHT 1/4-28	(S/N 239292+)	
46.	310-457D	BLADE HUB MACHINED TOP GREASE	(S/N 239292+)	
47.	310-630D	BLADE SPINDLE SHAFT CW TG	(S/N 329661+)	Rev. 2 not compat. w/Rev. 1
47.	310-454D	RPBY 310-349S	(S/N 239292 <-> 329660)	Rev. 1

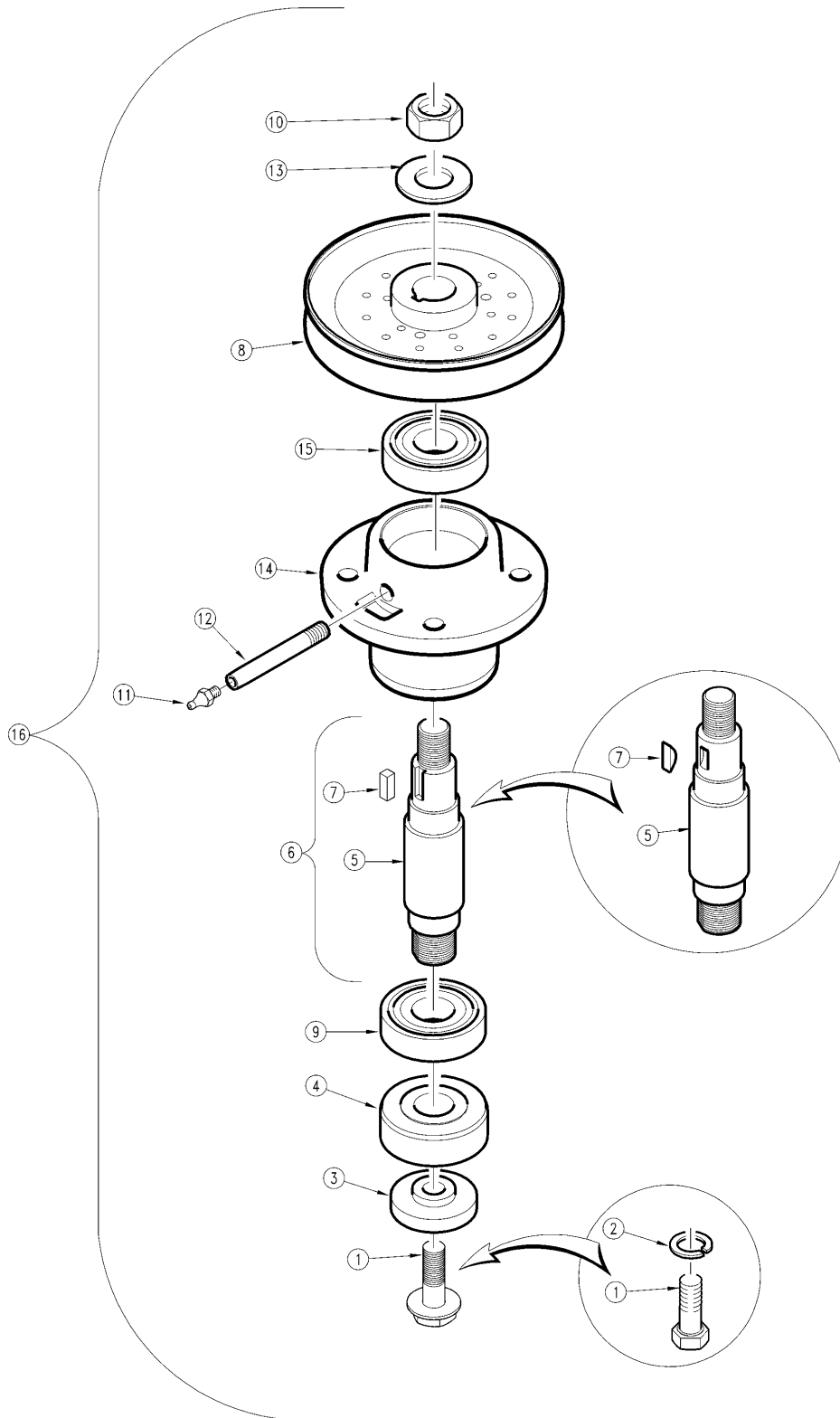
Belt Drive (S/N 212181+) (continued)

Applies to AT2560, AT2572

This Page Intentionally Left Blank

Left and Right Spindle Hub Assembly (S/N 212180-)

Applies to AT2560, AT2572



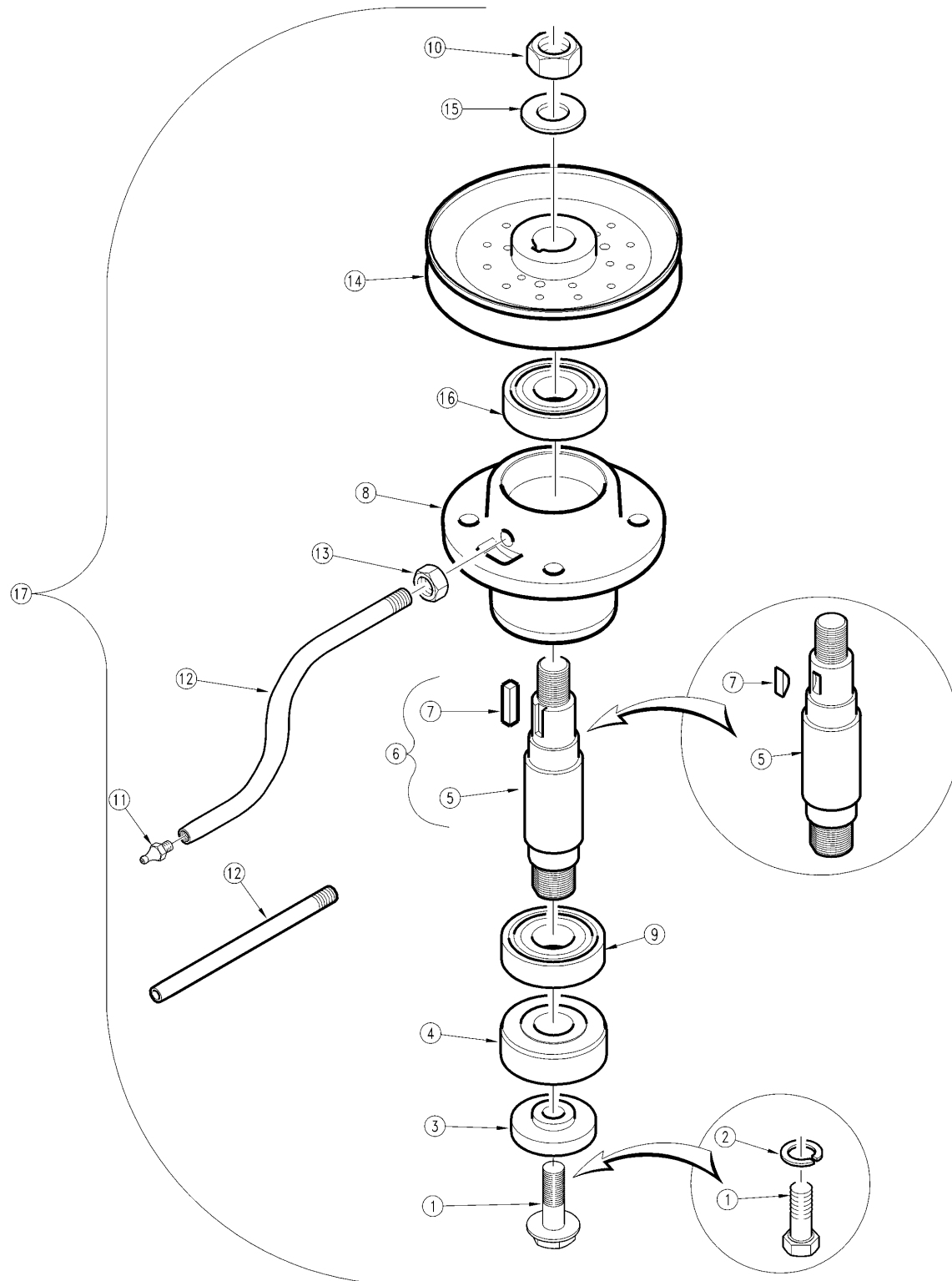
15045

Left and Right Spindle Hub Assembly (S/N 212180-)**Applies to AT2560, AT2572**

Ref	Part No.	Part Description	Comments	Revision
	dwg15045	Drawing Image Number		
1.	802-384C	HFS 1/2-20X1 1/4 GR5	Replaces 802-326C & 804-015C	Rev. 2
1.	802-326C	HHCS 1/2-20X1 1/4 GR5	Replaced by 802-384C	Rev 1; Use up stock
2.	804-015C	WASHER LOCK SPRING 1/2 PLT	Replaced by 802-384C	Rev 1; Use up stock
3.	804-110C	WASHER BLADE 2ODX.56THKX.51ID		Rev. 2
3.	310-043D	RPBY 804-110C		Rev 1; Use up stock
4.	310-300D	BLADE HUB	(S/N 30988+)	Rev. 2 not compat. w/Rev. 1
4.	310-033D	BLADE HUB, FD - 1 5/8	(S/N 30987-)	Rev. 1
5.	310-361D	BLADE SPINDLE SHAFT	(S/N 107301+)	Rev. 3 not compat. w/Rev. 2
5.	310-299D	RPBY 310-179A	(S/N 30988<->107300)	Rev. 2 not compat. w/Rev. 1
5.	310-032D	BLADE SPINDLE	(S/N 30987-)	Rev. 1
6.	310-179A	BLADE SPINDLE W/KEY 1/4SQ X7/8	Includes 5; 7 and 13	
7.	172-242D	1/4 SQ. KEY X 7/8 LG	(S/N 107301+)	Rev. 2 not compat. w/Rev. 1
7.	890-163C	KEY WOODRUFF 1/4 X 3/4 #806	(S/N 107300-)	Rev. 1
8.	808-075C	B-GROOVE PULLEY 5 O.D.	AT2560 mowers & (AT2572 S/N 72225-)	
8.	808-127C	B-GROOVE DRIVE PULLEY 6 O.D.	(S/N 72226+) AT2572	
9.	822-006C	BEARING 206		
10.	803-114C	NUT LOCK 3/4-16 NYLOC COLLAR		
11.	800-075C	ZERK 5/16-24 STRAIGHT #1711B		
12.	310-042D	LUBE FITTING 4 1/2 EXTENSION	AT2560	
12.	310-312D	LUBE FITTING 3" EXTENSION	AT2572	
13.	804-093C	WASHER FLAT 3/4 HARD ASTM436	(S/N 174548+)	Rev. 2
13.	804-025C	WASHER FLAT 3/4 SAE PLT	(S/N 174547-)	Rev 1; Use up stock
14.	310-224D	BLADE HUB- MACH.-90	(S/N 30988+)	Rev. 2 not compat. w/Rev. 1
14.	310-036D	SPINDLE HUB - MACH	(S/N 30987-)	Rev. 1
15.	822-161C	BEARING 6206 W/ METAL SHIELD		Rev. 2
15.	822-006C	BEARING 206		Rev 1; Use up stock
16.	310-161S	CW SPDLE HUB ASSY 6"PULL 3"TB	(S/N 72226+ AT2572)	Rev. 2 not compat. w/Rev. 1
16.	310-132S	CW SPDLE HUB ASSY 5"PULL 3"TB	(S/N 72225- AT2572)	Rev. 1
16.	310-137S	CW SPDLE HUB ASSY 5"PULL 4.5TB	AT2560	

Spindle Hub Assembly (S/N 212180-)

Applies to AT2560, AT2572



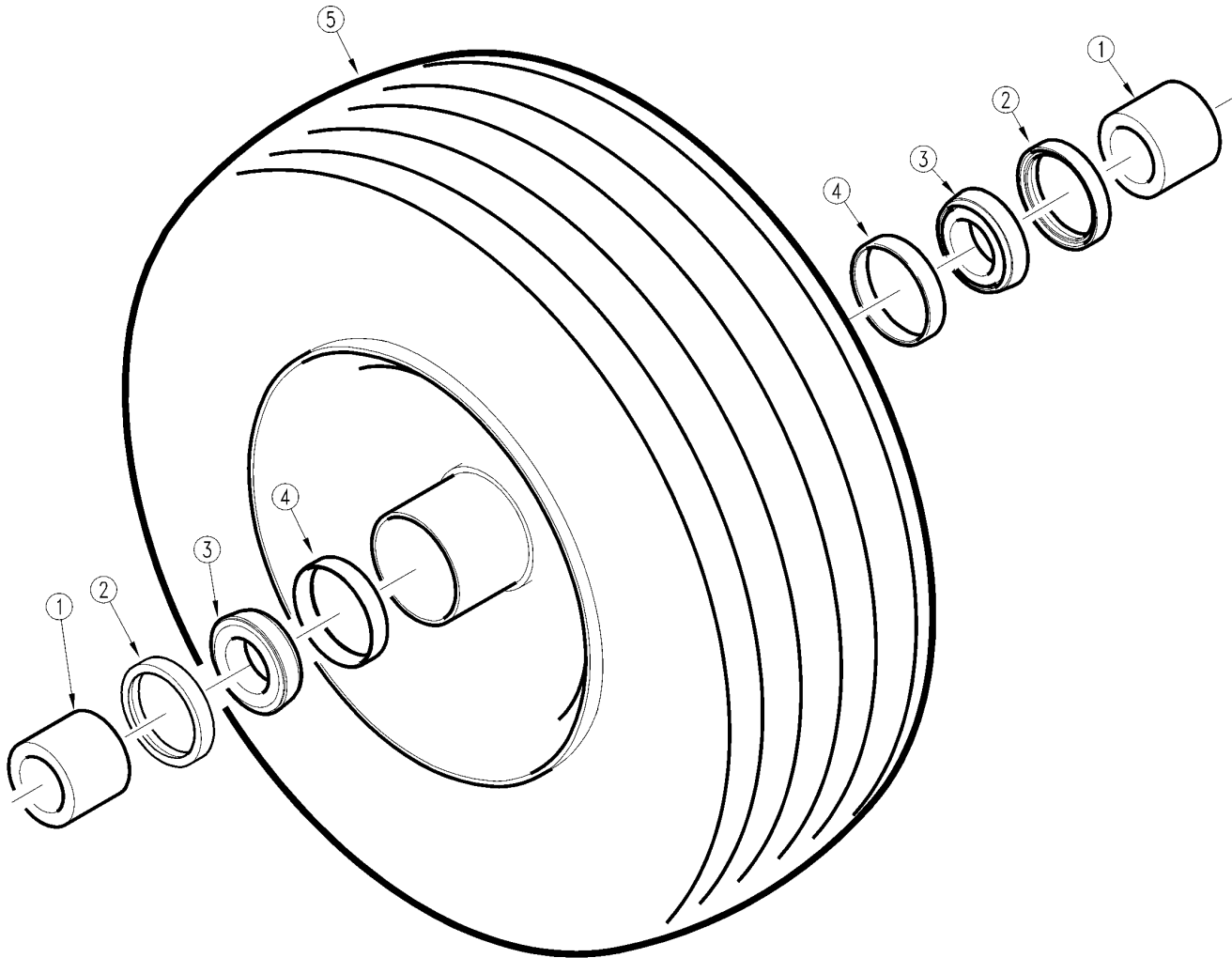
15044

Spindle Hub Assembly (S/N 212180-)**Applies to AT2560, AT2572**

Ref	Part No.	Part Description	Comments	Revision
	dwg15044	Drawing Image Number		
1.	802-384C	HFS 1/2-20X1 1/4 GR5	Replaces 802-326C & 804-015C	Rev. 2
1.	802-326C	HHCS 1/2-20X1 1/4 GR5	Replaces by 802-384C	Rev 1; Use up stock
2.	804-015C	WASHER LOCK SPRING 1/2 PLT	Replaces by 802-384C	Rev 1; Use up stock
3.	804-110C	WASHER BLADE 2ODX.56THKX.51ID		Rev. 2
3.	310-043D	RPBY 804-110C		Rev 1; Use up stock
4.	310-300D	BLADE HUB	(S/N 30988+)	Rev. 2 not compat. w/Rev. 1
4.	310-033D	BLADE HUB, FD - 1 5/8	(S/N 30987-)	Rev. 1
5.	310-361D	BLADE SPINDLE SHAFT	(S/N 107301 <-> 239292)	Rev. 3 not compat. w/Rev. 2
5.	310-299D	RPBY 310-179A	(S/N 30988<->107300)	Rev. 2 not compat. w/Rev. 1
5.	310-032D	BLADE SPINDLE	(S/N 30987-)	Rev. 1
6.	310-179A	BLADE SPINDLE W/KEY 1/4SQ X7/8	(S/N 107300 <-> 239292)	
7.	172-242D	1/4 SQ. KEY X 7/8 LG	(S/N 107301+)	Rev. 2 not compat. w/Rev. 1
7.	890-163C	KEY WOODRUFF 1/4 X 3/4 #806	(S/N 107300-)	Rev. 1
8.	310-224D	BLADE HUB- MACH.-90	(S/N 30988 <-> 239292)	Rev. 2 not compat. w/Rev. 1
8.	310-036D	SPINDLE HUB - MACH	(S/N 30987-)	Rev. 1
9.	822-006C	BEARING 206		
10.	803-114C	NUT LOCK 3/4-16 NYLOC COLLAR		
11.	800-075C	ZERK 5/16-24 STRAIGHT #1711B		
12.	310-126D	72 GREASE TUBE	AT2560 & AT2572	
13.	803-184C	NUT HEX PIPE JAM 1/8-27 NPSF	(S/N 59102+) AT2560 & AT2572	
14.	808-075C	B-GROOVE PULLEY 5 O.D.	AT2560 (S/N 72225- AT2572)	
14.	808-127C	B-GROOVE DRIVE PULLEY 6 O.D.	(S/N 72226+) AT2572	
15.	804-093C	WASHER FLAT 3/4 HARD ASTM F436	(S/N 174548+)	Rev. 2
15.	804-025C	WASHER FLAT 3/4 SAE PLT	(S/N 174547-)	Rev 1; Use up stock
16.	822-161C	BEARING 6206 W/ METAL SHIELD	(S/N 174548+)	Rev. 2
16.	822-006C	BEARING 206	(S/N 174547-)	Rev 1; Use up stock
17.	310-138S	CW SPDLE HUB ASSY 5PULL 7.4BTB	AT2560 & (S/N 72225- AT2572)	Rev. 2 not compat. w/Rev. 1
17.	310-162S	CW SPDLE HUB ASSY 6PULL 7.4BTB	(S/N 72226+) AT2572	Rev. 1

Gauge Wheel (814-271C)

Applies to AT2584



22240

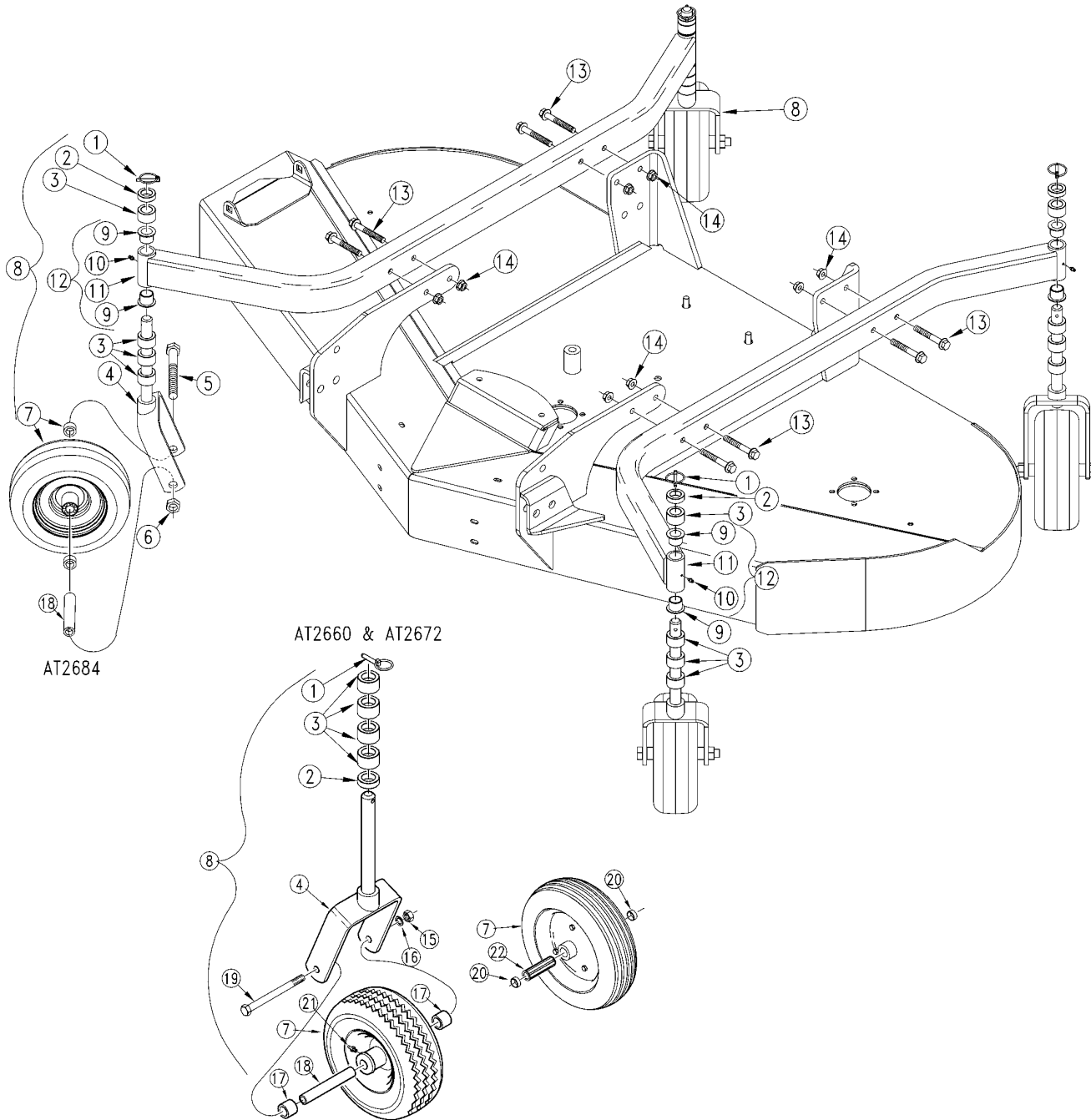
Gauge Wheel (814-271C)

Applies to AT2584

Ref	Part No.	Part Description	Comments	Revision
	dwg22240	Drawing Image Number		
1.	HSS-34	MRTN HGH SPD SPCR3/4ID 1.125OD		
2.	GS-3	MRTN GREASE SEAL 1.125(1.78OD)		
3.	822-045C	BEARING CONE #LM 11949		
4.	822-050C	BEARING CUP #LM 11910		
5.	814-271C	TIRE 11X4.00-5 RIB SEMI-SOLID	Complete Assembly	

Gauge Wheels

Applies to AT2584



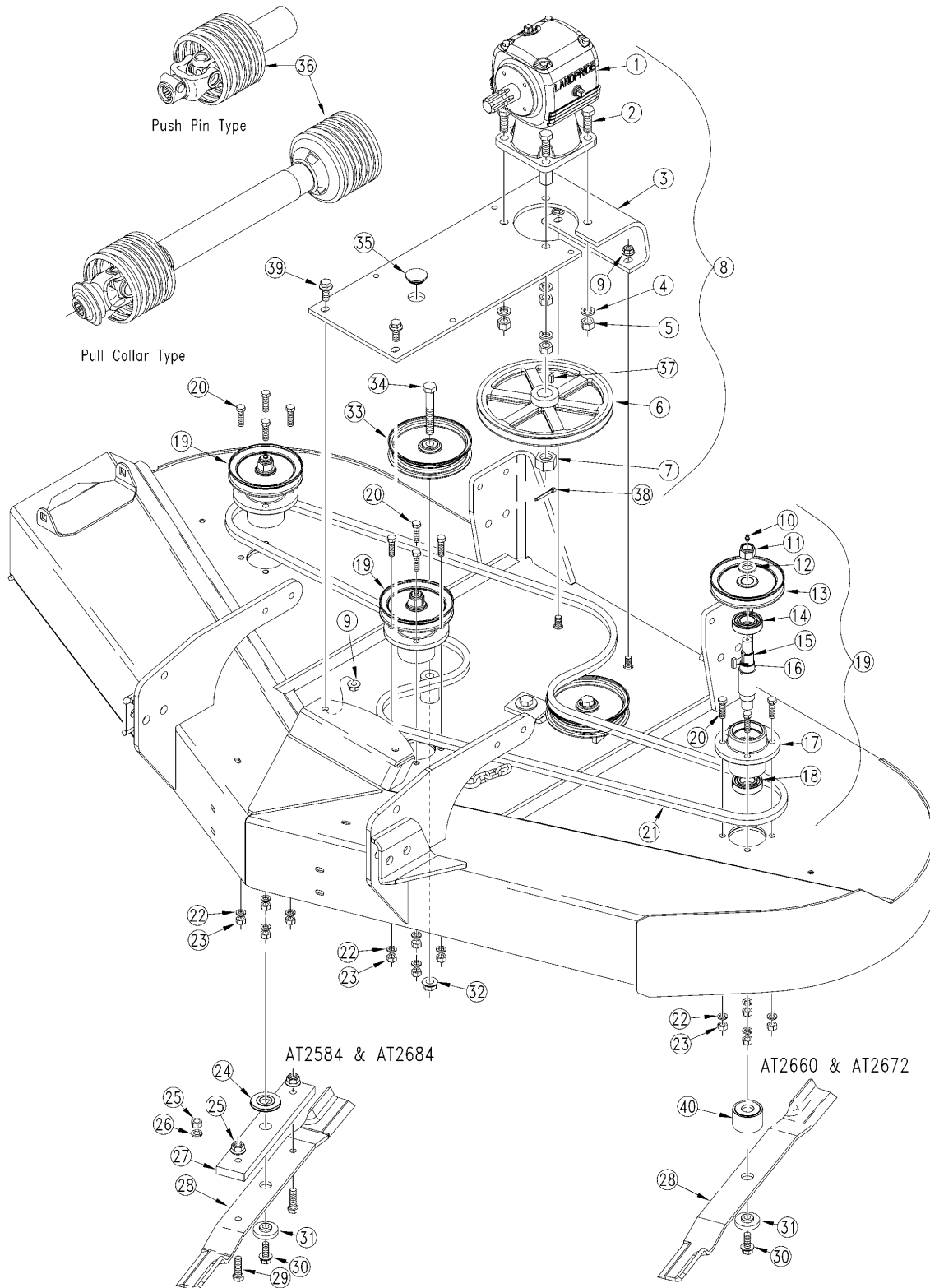
Gauge Wheels

Applies to AT2584

Ref	Part No.	Part Description	Comments	Revision
	dwg18884	Drawing Image Number		
1.	805-126C	PIN LYNCH 1/4 X 1 3/4 PLT		
2.	827-001C	SPACER 1/2		
3.	827-002C	SPACER 1		
4.	315-300H	11' GW YOKE 5 1/8X5 1/8 INSIDE	AT2684 (Shown)	
4.	310-149H	GAUGE WHEEL YOKE(5 1/8 INSIDE)	AT2660 & AT2672	
5.	802-095C	HHCS 3/4-10X7 GR5		
6.	803-025C	NUT HEX 3/4-10 PLT NYLOCK		
7.	814-144C	11 X 400-5 RIB TIRE W 3/4 BRGS	AT2684	
7.	814-271C	TIRE 11X4.00-5 RIB SEMI-SOLID	AT2684 S/N 467406+	Rev. 2
7.	814-191C	RPBY 814-271C	AT2684 S/N 467405-	Rev. 1
7.	814-071C	TIRE 4.10/3.50-4 TUBELESS AIR	AT2660 & AT2672	
7.	814-188C	TIRE 10X3.25 SOLID STRT RIB CR	AT2660 & AT2672	
8.	310-314S	11X4 SEMISOLID TIRE W/YOKE SUB	AT2684 S/N 467406+	
8.	315-291S	11X4.00 CASTER GW YOKE	AT2684 S/N 467405-	
8.	310-105S	4X10 AIR TIRE & YOKE ASSY	AT2660 & AT2672	
8.	310-017S	3.25X10 SOLID TIRE/YOKE ASSY	AT2660 & AT2672	
9.	817-048C	SPINDLE BUSHING		
10.	800-001C	GREASE ZERK STRAIGHT 1/4-28		
11.	310-327H	WELDMENT GAUGE WHEEL ARM	AT2660	
11.	310-355H	WELDMENT GAUGE WHEEL ARM	AT2672	
11.	310-296H	WELDMENT GAUGE WHEEL ARM	AT2684 (Shown)	
11.	310-326S	ASSY. GAUGE WHEEL ARM	AT2660	
12.	310-354S	ASSY. GAUGE WHEEL ARM	AT2672	
12.	310-295S	ASSY. GAUGE WHEEL ARM	AT2684 (Shown) Includes items 9, 10 & 11	
13.	802-658C	HFS 1/2-13 X 3 1/2 GR5/8		
14.	803-037C	NUT HEX WHIZ 1/2-13 PLT		
15.	803-308C	NUT HEX FLG/LK 1/2-20 PLT.GR	S/N 511277+	
15.	803-018C	NUT HEX 1/2-20 PLT	S/N 511276-	
16.	804-015C	WASHER LOCK SPRING 1/2 PLT	S/N 511276-	
17.	310-024D	GAUGE WHEEL SPACER - SHORT		
17.	310-329D	GAUGE WHEEL SPACER(SOLID TIRE)		
18.	310-328D	SPACER TUBE GA. WHL. 5 1/8 LG		
19.	802-350C	HHCS 1/2-20X6 1/2 GR5		
20.	890-189C	BUSHING 3/4 I.D. 1 3/8 X 1 LG		
20.	87010	HS BUSH 3/4IDX1 1/8ODX 5/8LG		
21.	800-100C	ZERK STAKED		
22.	87410	HS CGD RLR BRG.75IDX1.37X1.5LG		

Belt Drive

Applies to AT2584



18886

Belt Drive**Applies to AT2584**

Ref	Part No.	Part Description	Comments	Revision
	dwg18886	Drawing Image Number		
1.	826-326C	GBOX MOWER 50 HP 1:2.8 CW	AT2660, AT2672, AT2684 S/N 337567+	
1.	826-311C	REP BY 826-326C	AT2684 (S/N 311165 <-> 337566-)	
1.	826-296C	REP BY 826-326C	AT2684 (S/N 311164-)	
2.	802-246C	HHCS 5/8-18X1 3/4 GR5		
3.	310-414V	GEARBOX MOUNT ASSEMBLY	AT2660 S/N 499702+	
3.	310-323H	WELDMENT GEARBOX MOUNT	AT2660 S/N 499701-	
3.	310-415V	GEARBOX MOUNT ASSEMBLY	AT2672 S/N 499702+	
3.	310-330H	WELDMENT GEARBOX MOUNT	AT2672 S/N 499701-	
3.	310-413V	GEARBOX MOUNT ASSEMBLY	AT2684 S/N 499702+	
3.	310-291H	WLDMT. GEARBOX MOUNT	AT2684 S/N 499701-	
4.	804-022C	WASHER LOCK SPRING 5/8 PLT		
5.	803-022C	NUT HEX 5/8-18 PLT		
6.	808-335C	B-GROOVE PULLEY 11" CAST-IRON	(S/N 344470+) AT2560 & AT2672	Rev. 2 not compat. w/Rev. 1
6.	808-126C	B-GROOVE DRIVE PULLEY 11 O.D.	(S/N 344469-)	Rev. 1
6.	808-333C	B-GROOVE PULLEY 9" CAST-IRON	(S/N 344470+) AT2684	Rev. 2 not compat. w/Rev. 1
6.	808-076C	B-GROOVE PULLEY 9 O.D.	(S/N 344469-)	Rev. 1
7.	120050	OMNI NUT HEX SLOTTED, 1-14UNC		
8.	310-322S	ASSY. GEARBOX MOUNT	AT2660	
8.	310-331S	ASSY. GEARBOX MOUNT	AT2672	
8.	310-292S	ASSY. GEARBOX MOUNT	AT2684	
9.	803-037C	NUT HEX WHIZ 1/2-13 PLT		
10.	800-001C	GREASE ZERK STRAIGHT 1/4-28		
11.	803-114C	NUT LOCK 3/4-16 NYLOC COLLAR		
12.	804-093C	WASHER FLAT 3/4 HARD ASTM F436		
13.	808-075C	B-GROOVE PULLEY 5 O.D.	AT2660	
13.	808-127C	B-GROOVE DRIVE PULLEY 6 O.D.	AT2672 & AT2684	
14.	822-161C	BEARING 6206 W/ METAL SHIELD		
15.	310-630D	BLADE SPINDLE SHAFT CW TG	AT2660, AT2672 & AT2684 S/N 329661+	
15.	310-454D	BLADE SPINDLE SHAFT CW	AT2684 S/N 329660-	
16.	172-242D	1/4 SQ. KEY X 7/8 LG		
17.	310-457D	BLADE HUB MACHINED TOP GREASE		
18.	822-006C	BEARING 206		
19.	310-248S	CW TG SPINDLE HUB ASSY 5" PULL	AT2660	
19.	310-249S	CW TG SPINDLE HUB ASSY 6" PULL	AT2672	
19.	310-261S	CW TG SPINDLE HUB ASSY 6" PULL	AT2684	
20.	802-229C	HHCS 7/16-20X1 1/2 GR8		
21.	816-308C	V-BELT B103 106 E.L. KEVLAR	AT2660	
21.	816-116C	V-BELT B136 138.9 E.L. KEVLAR	AT2672	
21.	816-338C	V-BELT B150 153 E.L. KEVLAR	AT2684	
22.	804-014C	WASHER LOCK 7/16 PLT		
23.	803-115C	NUT HEX 7/16-20 PLT		
24.	310-227D	BLADE WASHER-90		
25.	803-308C	NUT HEX FLG. LOCK 1/2-20 PLT.	(S/N 319784+)	Rev. 2
25.	803-018C	NUT HEX 1/2-20 PLT	(S/N 319783-)	Rev 1; Use up stock
26.	804-015C	WASHER LOCK SPRING 1/2 PLT	(S/N 319783-)	
27.	315-823D	BLADE BAR RH. THRD 10.50 CTR.	AT2684	
28.	890-171C	MWR BLD 1/4 X 20 29/32SD HL CW	Standard high lift AT2660	
28.	890-375C	MWR BLD 1/4 X 20 29/32SD ML CW	Optional medium lift AT2660	
28.	890-204C	MWR BLD 5/16X20 29/32SD LL CW	Optional low lift AT2660	
28.	890-702C	MWR BLD MULCH 1/4X20.91SD CW	Optional mulch AT2660	
28.	890-172C	MWR BLD 1/4 X 25SD HL CW	Standard high lift AT2672	
28.	890-318C	MWR BLD 1/4 X 25SD ML CW	Optional medium lift AT2672	
28.	890-200C	MWR BLD 5/16 X 25SD LL CW	Optional low lift AT2672	
28.	890-698C	MWR BLD MULCH 1/4X25SD CW	Optional mulch AT2672	
28.	890-684C	MWR BLD 5/16 X 29 SD HL CW	Optional high lift AT2684	

Belt Drive (continued)

Applies to AT2584

Ref	Part No.	Part Description	Comments	Revision
28.	890-675C	MWR BLD 5/16 X 29 SD ML CW	Standard medium lift AT2684 (Shown)	
28.	890-685C	MWR BLD 5/16 X 29 SD LL CW	Optional low lift AT2684	
28.	890-706C	MWR BLD MULCH 1/4X29SD CW	Optional mulch AT2684	
29.	802-329C	HHCS 1/2-20X1 3/4 GR5		
30.	802-695C	HFS 1/2-20X2 GR8	(S/N 329661+)	Rev. 2 not compat. w/Rev. 1
30.	802-384C	HFS 1/2-20X1 1/4 GR5	(S/N 329660-)	Rev. 1
31.	804-110C	WASHER BLADE 2ODX.56THKX.51ID		
32.	803-263C	NUT HEX FLANGE LOCK 5/8-11		
33.	808-129C	FLAT IDLER PULLEY 6 3/4 O.D.		
34.	802-151C	HHCS 5/8-11X4 1/4 GR5		
35.	816-298C	RUBBER PLUG 1 3/8 W/CROSS SLIT		
36.	826-297C	DRIVELINE CAT.2 W/EXT. CONE	AT2672 & AT2684	
36.	826-064C	DRIVELINE CAT.4 SC 540RPM		
36.	826-012C	REP BY 826-064C	AT2600	
37.	310-331D	KEY 1/4 X 11/16 LONG		
38.	100001	OMNI COTTER PIN 5 X 50		
39.	802-203C	HFSS 1/2-13X1 1/2 GR5		
40.	310-300D	BLADE HUB - 7/8 (PLATED)	AT2660 & AT2672	

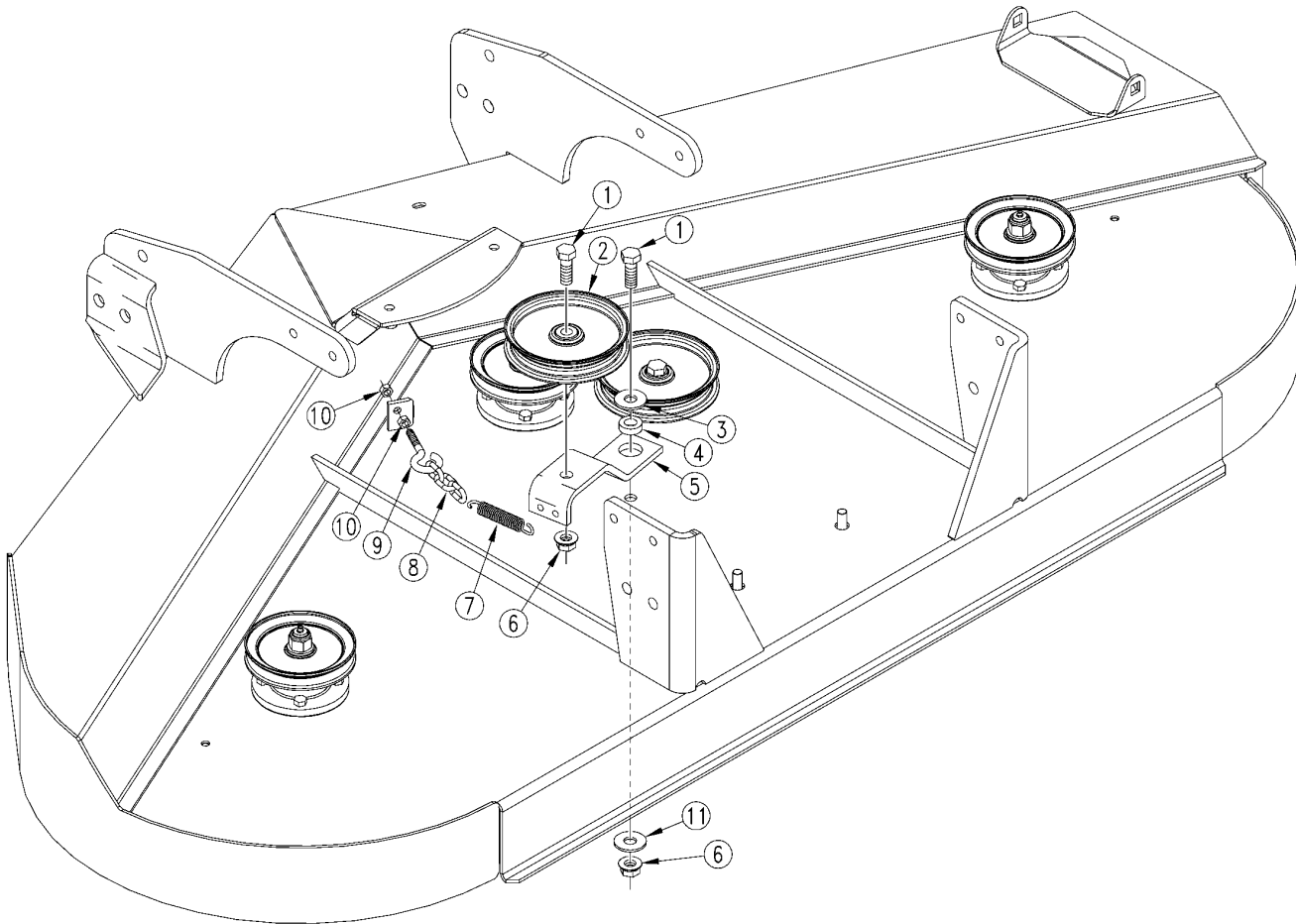
Belt Drive (continued)

Applies to AT2584

This Page Intentionally Left Blank

Belt Take-Up

Applies to AT2584



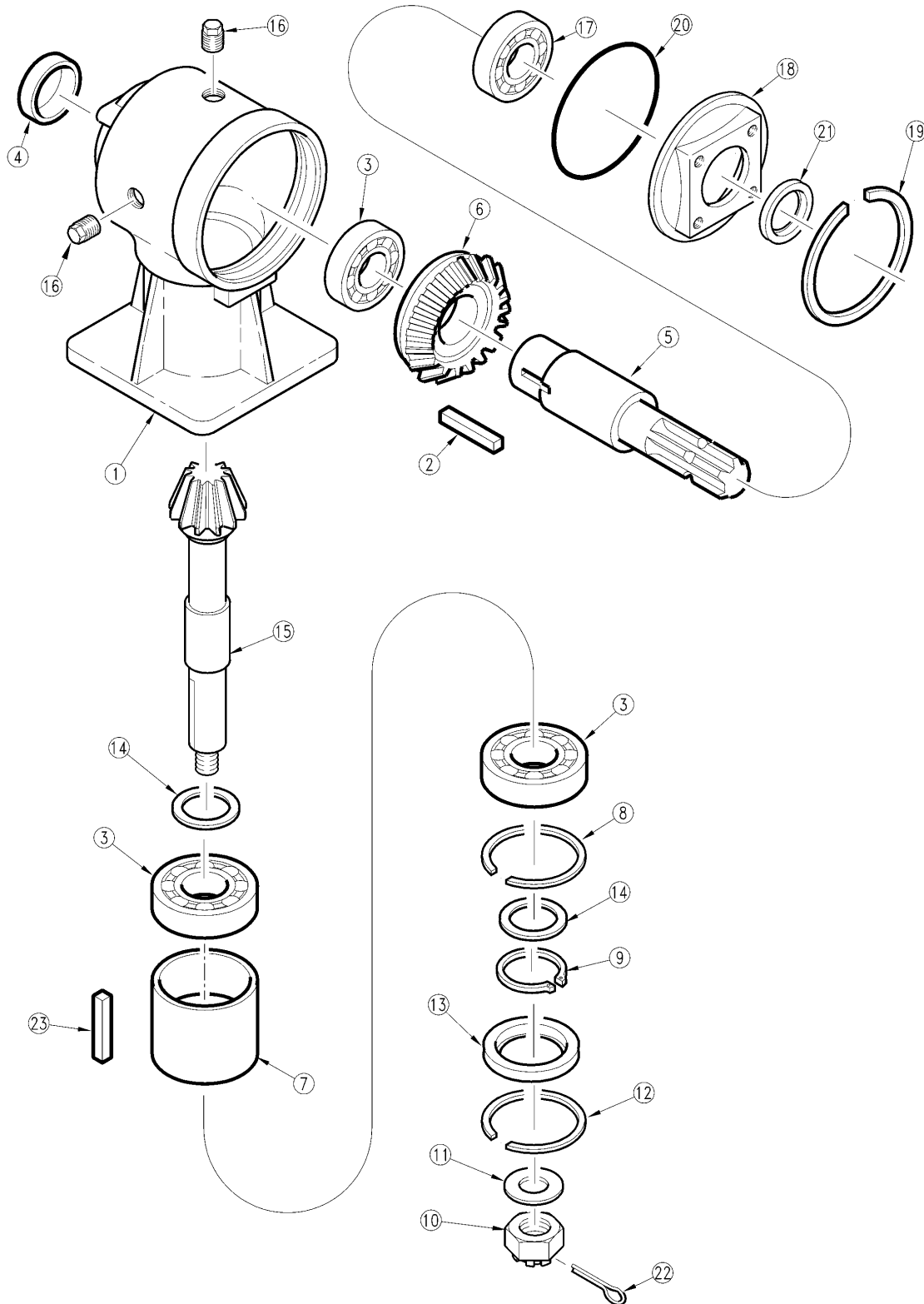
18885

Belt Take-Up**Applies to AT2584**

Ref	Part No.	Part Description	Comments	Revision
	dwg18885	Drawing Image Number		
1.	802-657C	HFS 5/8-11 X 1 3/4 GR5/8		
2.	808-129C	FLAT IDLER PULLEY 6 3/4 O.D.		
3.	804-019C	WASHER FLAT 5/8 USS PLT		
4.	310-494D	SPACER BUSHING		
5.	310-493D	SPRING IDLER BRACKET		
6.	803-263C	NUT HEX FLANGE LOCK 5/8-11		
7.	807-068C	SPRING EXT BELT HANDLE		
8.	890-641C	CHAIN WELD 1/4 PROOF X 3 LINK		
9.	802-668C	EYE BOLT OPEN 3/8-16X3 1/2		
10.	803-014C	NUT HEX 3/8-16 PLT		
11.	804-021C	WASHER FLAT 5/8 SAE PLT		

Gearbox (826-081C) (826-011C) Comer

Applies to AT2560, AT2572



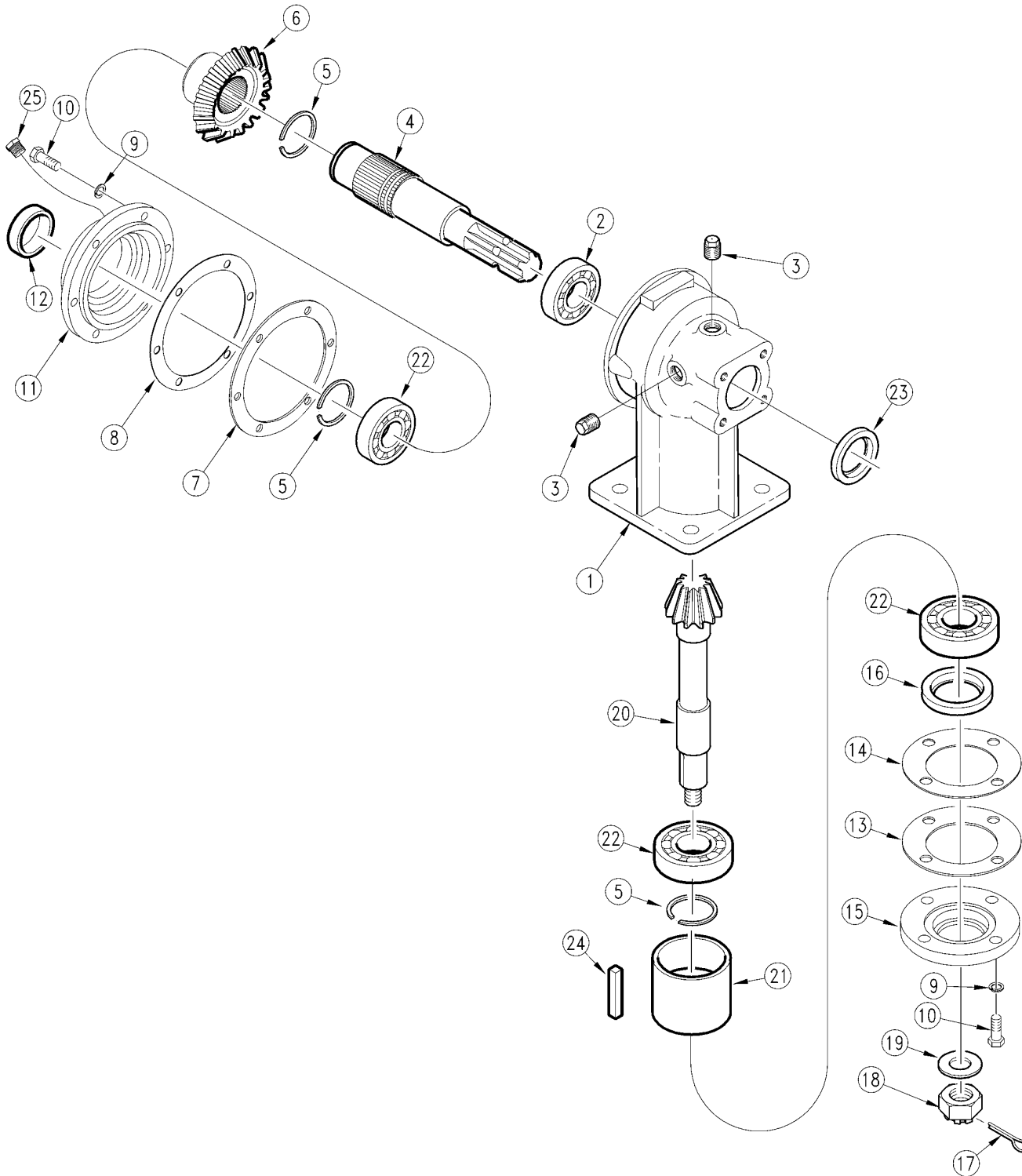
10508

Gearbox (826-081C) (826-011C) Comer**Applies to AT2560, AT2572**

Ref	Part No.	Part Description	Comments	Revision
	dwg10508	Drawing Image Number		
	826-081C	RPBY 826-203C		
	826-011C	RPBY 826-203C		
1.	0.141.0330.00	BOX		
2.	8.4.1.00889	KEY, 10 X 8 X 30		
3.	822-166C	BEARING BALL 6207		Rev. 2
3.	8.0.1.00870	RPBY 822-166C		Rev 1; Use up stock
4.	8.7.0.00693	LID,52 X 7		
5.	0.141.2100.00	KEYED SHAFT, 1 3/8" Z6		
6.	0.141.5000.00	RING BEVEL GEAR, Z34, M 3.36		
7.	0.141.7100.00	SPACER		
8.	8.5.2.00131	CO SNAP RING INT 72 UN17437		
9.	8.5.1.00005	CO SNAP RING EXT 35 UN17435		
10.	8.2.2.01144	NUT M 24 X 2		
11.	8.3.2.00409	FLAT WASHER 24 X 44 X 4		
12.	8.5.3.00915	SPLIT RING, SB 72		
13.	8.7.1.00152	OIL SEAL, 35 X 72 X 12		
14.	A.259.500	CO ADJUSTMENT SPACER, 35.3 X48		Rev. 2
14.	0.259.7500.00	RPBY A.259.500		Rev 1; Use up stock
15.	0.141.6001.00	PINION SHAFT, Z12 M 3.36		
16.	8.6.5.00006	CO OIL PLUG 3/8		
17.	8.0.1.00000	BEARING #6007		
18.	0.141.1300.00	LID FLANGE		
19.	8.5.3.01057	CO SPLIT RING SB 125		
20.	8.7.6.01058	RING GASKET OR-4462		
21.	060127	OMNI SEAL-INPUT CR13930		Rev. 2
21.	8.7.3.00028	RPBY 060127		Rev 1; Use up stock
22.	805-017C	PIN COTTER 3/16 X 1 3/4 PLT		
23.	310-331D	KEY 1/4" X 11/16" LONG		Rev. 2
23.	123-004D	DRIVE SPROCKET KEY		Rev 1; Use up stock

Gearbox (826-081C) IEG

Applies to AT2560, AT2572



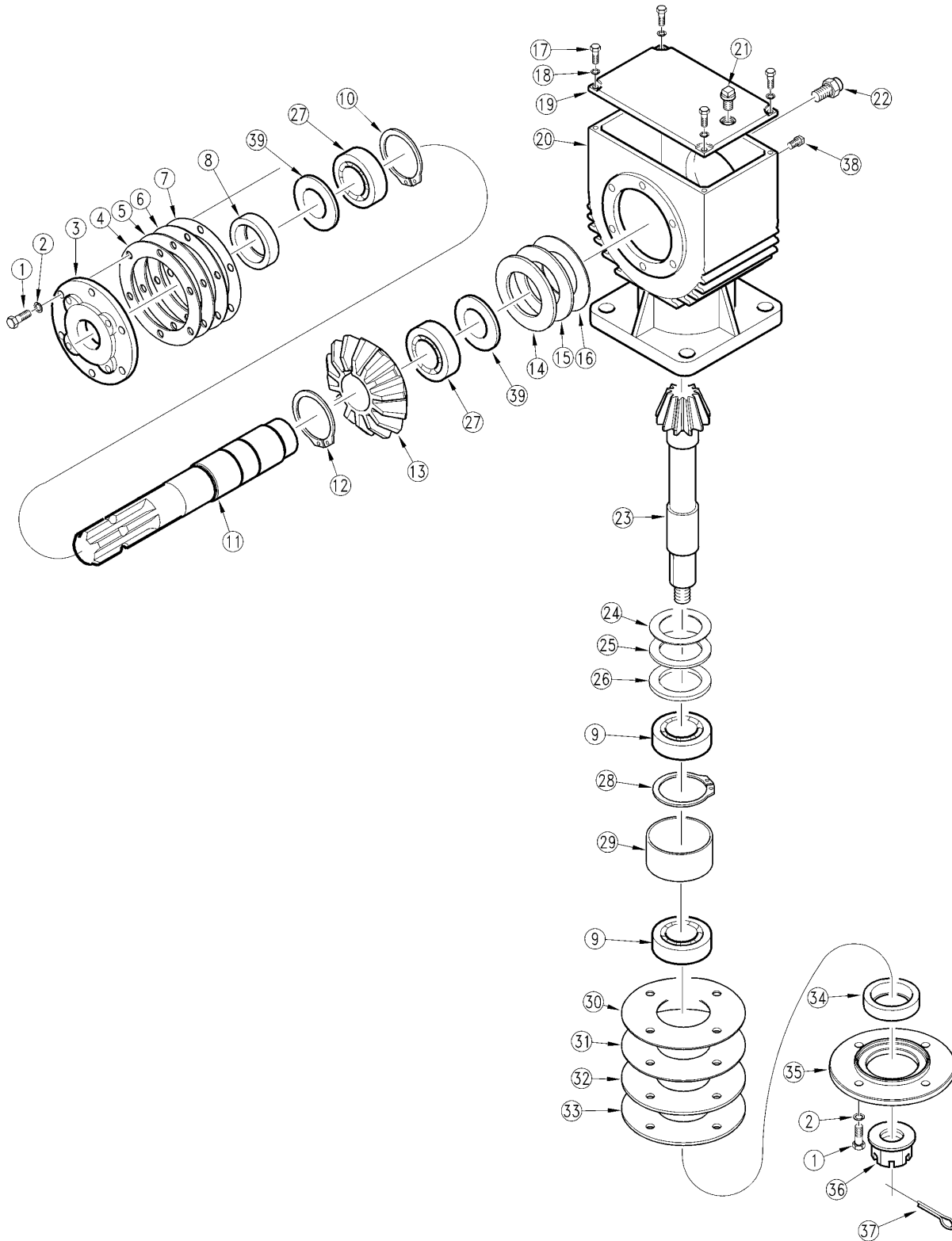
13996

Gearbox (826-081C) IEG**Applies to AT2560, AT2572**

Ref	Part No.	Part Description	Comments	Revision
	dwg13996	Drawing Image Number		
	826-081C	RPBY 826-203C		
1.	18-021	ITG GEARBOX HOUSING		
2.	822-166C	BEARING BALL 6207		Rev. 2
3.	04-004	RPBY 822-166C		Rev 1; Use up stock
3.	09-002	ITG 1/2"-14 PIPE PLUG		
4.	02-035	ITG INPUT SHAFT		
5.	21-012	ITG RETAINING RING		
6.	03-036	ITG 30 TOOTH INPUT GEAR		
7.	08-004A	ITG INPUT CAP GASKET 0.25MM		
8.	08-004B	ITG INPUT CAP GASKET 0.10MM		
9.	07-001	ITG M10 LOCKWASHER		
10.	06-012	ITG M10 X 1.5 X 25 CAP SCREW		
11.	20-007	ITG INPUT CAP		
12.	09-009	ITG CAP PLUG		
13.	08-005A	ITG OUTPUT CAP GASKET 0.25MM		
14.	08-005B	ITG OUTPUT CAP GASKET 0.10MM		
15.	20-003	ITG OUTPUT CAP		
16.	05-005	ITG OUTPUT OIL SEAL		
17.	805-017C	PIN COTTER 3/16 X 1 3/4 PLT		
18.	11-007	ITG 1"-14 SLOTTED HEX NUT		
19.	07-005	ITG BLADE HUB WASHER		
20.	03-037	ITG 12 TOOTH OUTPUT PIN & SHFT		
21.	10-002	ITG BEARING SPACER		
22.	822-188C	BALL BEARING 6208		Rev. 3
22.	050007	RPBY 822-188C		Rev 2; Use up stock
22.	04-003	RPBY 050007		Rev 1; Use up stock
23.	05-002	ITG INPUT OIL SEAL		
24.	310-331D	KEY 1/4" X 11/16" LONG		
25.	811-320C	SP SAFETY VALVE 1/8MNPT	(S/N 146786+)	Rev. 2 not compat. w/Rev. 1
25.	09-008	ITG 1/2-14NPT PRES-RELIEF PLUG	(S/N 146785-)	Rev. 1

Gearbox (826-203C) OMNI

Applies to AT2560, AT2572



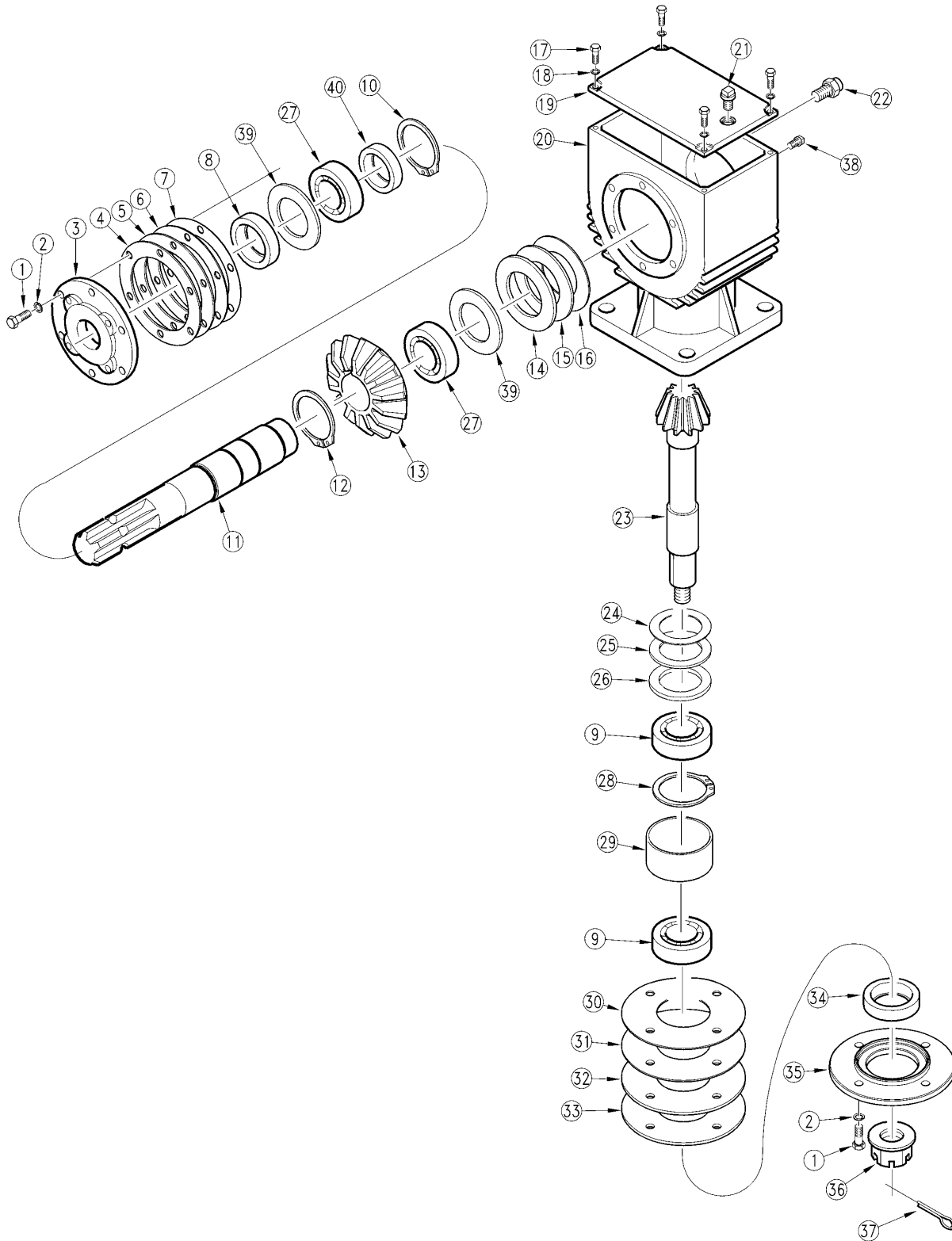
16020

Gearbox (826-203C) OMNI**Applies to AT2560, AT2572**

Ref	Part No.	Part Description	Comments	Revision
	dwg16020	Drawing Image Number		
	826-203C	RPBY 826-325C		
1.	110192	OMNI SCREW-5/16"-18UNC X 7/8"		
2.	130006	RPBY 804-009C		
3.	020224	OMNI CAP-INPUT		
4.	070246	OMNI GASKET-INPUT 0.10MM		
5.	070247	OMNI GASKET-INPUT 0.20MM		
6.	070248	OMNI GASKET-INPUT 0.30MM		
7.	070249	OMNI GASKET-INPUT 0.50MM		
8.	060127	OMNI SEAL-INPUT CR13930		
9.	822-188C	BALL BEARING 6208		Rev. 2
9.	050007	RPBY 822-188C		Rev 1; Use up stock
10.	200140	OMNI RTNG. RING 38MM RC DSH-38		
11.	040335	OMNI SHAFT-INPUT 1-3/8"-6 SPLN		
12.	200141	OMNI RTNG. RING 38MM RC DSH-38		
13.	030459	OMNI GEAR-INPUT 30T		
14.	090179	OMNI SHIM INPUT 0.10MM		
15.	090180	OMNI SHIM INPUT 0.20MM		
16.	090181	OMNI SHIM INPUT 0.30MM		
17.	110009	OMNI SCREW-1/4"-20 UNC X 3/4"		
18.	130028	OMNI LOCKWASHR 1/4" SPLIT TYPE		
19.	240280	OMNI INSPECTION COVER		
20.	010175	OMNI HOUSING-RC-25		
21.	140047	OMNI PLUG SQ.HD.1/2-14NPT W/DP		
22.	140000	OMNI PIPE PLUG 1/2' SQ HEAD	(S/N 215411+)	Rev. 2 not compat. w/Rev. 1
22.	140033	OMNI PLUG VENT 1/2-14 NPTF	(S/N 215410-)	Rev. 1
23.	030458	OMNI PINION OUTPUT 12T		
24.	090182	OMNI SHIM OUTPUT 0.10MM		
25.	090183	OMNI SHIM OUTPUT 0.20MM		
26.	090184	OMNI SHIM OUTPUT 0.30MM		
27.	822-166C	BEARING BALL 6207		Rev. 2
27.	050006	RPBY 822-166C		Rev 1; Use up stock
28.	200000	OMNI RETAINING RING		
29.	090190	OMNI SPACER OUTPUT		
30.	070250	OMNI GASKET-OUTPUT 0.10MM		
31.	070251	OMNI GASKET-OUTPUT 0.20MM		
32.	070252	OMNI GASKET-OUTPUT 0.30MM		
33.	070253	OMNI GASKET-OUTPUT 0.50MM		
34.	060128	OMNI SEAL-OUTPUT CR15822		
35.	020225	OMNI CAP-OUTPUT		
36.	120050	OMNI NUT HEX SLOTTED, 1-14UNC		
37.	100001	OMNI COTTER PIN 5 X 50		
38.	140017	OMNI PLUG PIPE SQ HD1/8-27NPTF		
39.	090189	OMNI SPACER INPUT		

Gearbox (826-293C) OMNI

Applies to AT2560, AT2572



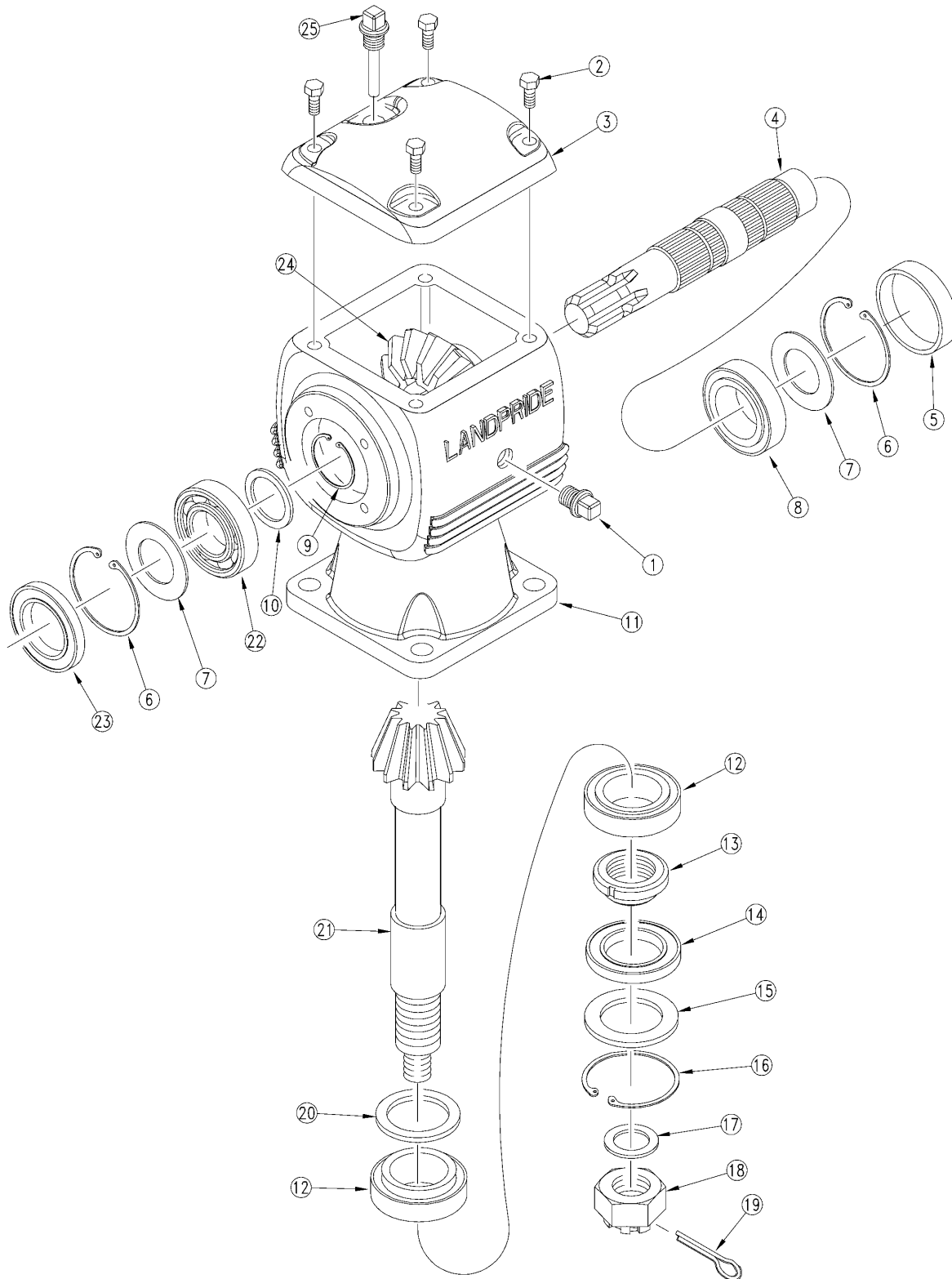
18705

Gearbox (826-293C) OMNI**Applies to AT2560, AT2572**

Ref	Part No.	Part Description	Comments	Revision
	dwg18705	Drawing Image Number		
	826-293C	RPBY 826-325C		
1.	110192	OMNI SCREW-5/16"-18UNC X 7/8"		
2.	804-009C	WASHER LOCK SPRING 5/16 PLT		
3.	020224	OMNI CAP-INPUT		
4.	070246	OMNI GASKET-INPUT 0.10MM		
5.	070247	OMNI GASKET-INPUT 0.20MM		
6.	070248	OMNI GASKET-INPUT 0.30MM		
7.	070249	OMNI GASKET-INPUT 0.50MM		
8.	060127	OMNI SEAL-INPUT CR13930		
9.	822-188C	BALL BEARING 6208		Rev. 2
9.	050007	RPBY 822-188C		Rev 1; Use up stock
10.	200140	OMNI RTNG. RING 38MM RC DSH-38		
11.	040491	OMNI SHAFT INPUT 1 3/8" - 6A		
12.	200141	OMNI RTNG. RING 38MM RC DSH-38		
13.	030459	OMNI GEAR-INPUT 30T		
14.	090179	OMNI SHIM INPUT 0.10MM		
15.	090180	OMNI SHIM INPUT 0.20MM		
16.	090181	OMNI SHIM INPUT 0.30MM		
17.	110009	OMNI SCREW-1/4"-20 UNC X 3/4"		
18.	130028	OMNI LOCKWASHR 1/4" SPLIT TYPE		
19.	240280	OMNI INSPECTION COVER		
20.	010252	OMNI HOUSING RC-25 SERIES		
21.	140047	OMNI PLUG SQ.HD.1/2-14NPT W/DP		
22.	140033	OMNI PLUG VENT 1/2-14 NPTF		
23.	030458	OMNI PINION OUTPUT 12T		
24.	090182	OMNI SHIM OUTPUT 0.10MM		
25.	090183	OMNI SHIM OUTPUT 0.20MM		
26.	090184	OMNI SHIM OUTPUT 0.30MM		
27.	822-166C	BEARING BALL 6207		Rev. 2
27.	050006	RPBY 822-166C		Rev 1; Use up stock
28.	200000	OMNI RETAINING RING		
29.	090190	OMNI SPACER OUTPUT		
30.	070250	OMNI GASKET-OUTPUT 0.10MM		
31.	070251	OMNI GASKET-OUTPUT 0.20MM		
32.	070252	OMNI GASKET-OUTPUT 0.30MM		
33.	070253	OMNI GASKET-OUTPUT 0.50MM		
34.	060128	OMNI SEAL-OUTPUT CR15822		
35.	020225	OMNI CAP-OUTPUT		
36.	120050	OMNI NUT HEX SLOTTED, 1-14UNC		
37.	100001	OMNI COTTER PIN 5 X 50		
38.	140017	OMNI PLUG PIPE SQ HD1/8-27NPTF		
39.	090189	OMNI SPACER INPUT		
40.	090341	OMNI SPACER, INPUT		

Gearbox (826-325C) Comer

Applies to AT2560, AT2572



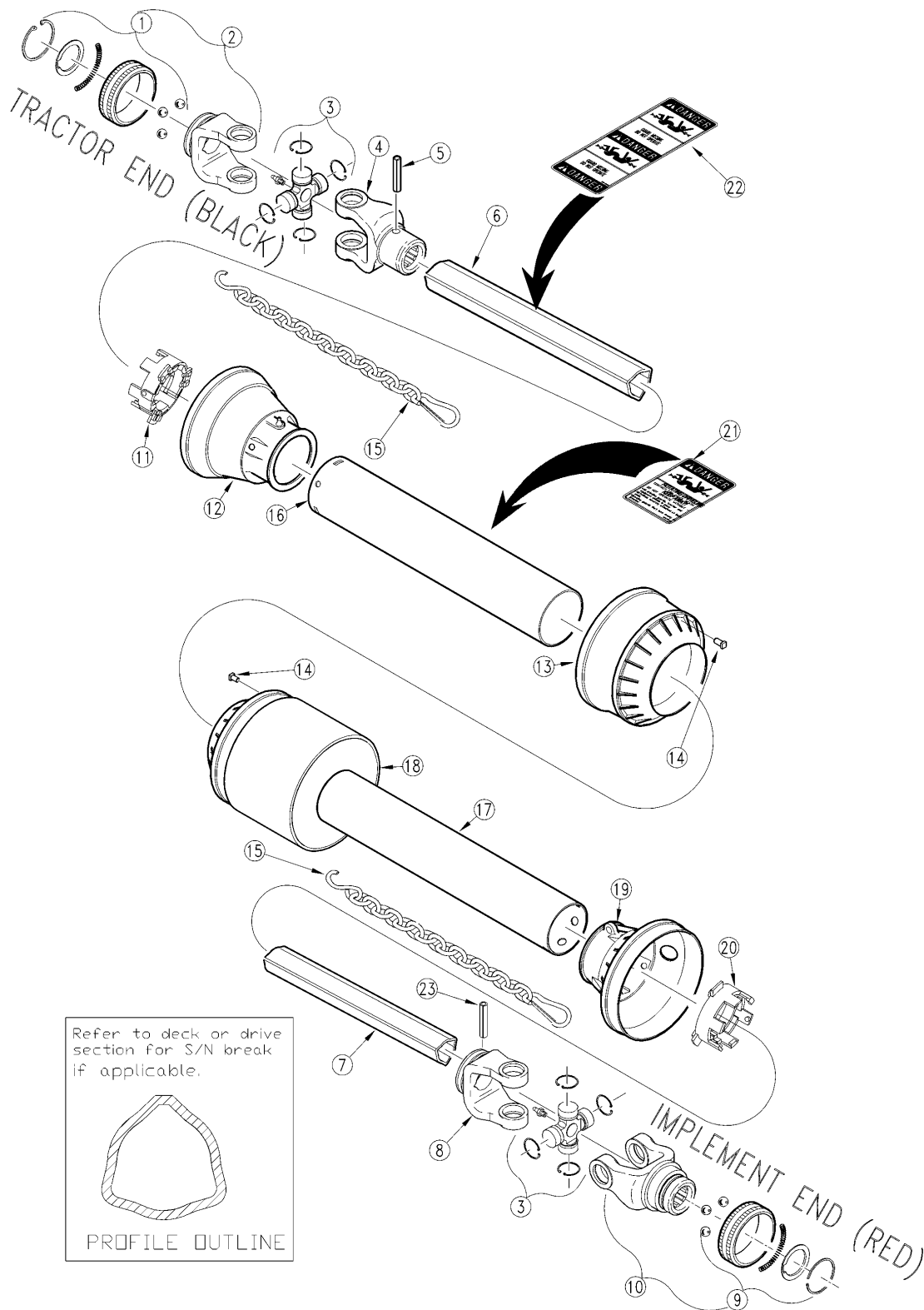
19549

Gearbox (826-325C) Comer**Applies to AT2560, AT2572**

Ref	Part No.	Part Description	Comments	Revision
	dwg19549	Drawing Image Number		
	826-325C	GBOX MOWER 50 HP 1:2.5 CW		
1.	8.6.5.00006	CO OIL PLUG 3/8		
2.	8.1.1.00501	CO BOLT M8X22 HHB		
3.	0.195.1300.00	CO COVER		
4.	0.195.2000.00	CO INPUT SHAFT 1" 3/8 Z6		
5.	8.7.0.00744	CO CAP 72 X 10		
6.	8.5.2.00131	CO SNAP RING INT 72 UN17437		
7.	A.248.7500	COMER SHIM KIT 71.7		
8.	8.0.9.00026	CO ROLLER BEARING 30207 CL-B		
9.	8.5.1.00680	CO SNAP RING 40 UNI 7436		
10.	0.259.7525.00	CO SHIM 35.3 X 48 X 2.5		
11.	0.195.0300.00	CO HOUSING		
12.	8.0.9.00102	CO ROLLER BEARING 32208 CL-B		
13.	0.278.7103.00	CO NUT M40 X 1.5		
14.	8.7.3.00081	CO OIL SEAL 35 X 80 X 10 RTA35		
15.	1.195.7100.00	CO PROTECTIVE FLAT WASHER		
16.	8.5.3.00955	CO SNAP RING SB 81		
17.	8.3.2.00409	CO FLAT WASHER 25 X 44 X 4		
18.	8.2.2.01144	NUT CASTLE M 24 X 2		
19.	8.4.7.00516	CO COTTER PIN B5 X 50		
20.	A244.501	CO SHIM 40.3 X 51.5 826-067C		
21.	0.195.5001.00	CO PINION Z12 M5		
22.	822-166C	BEARING BALL 6207		
23.	8.7.3.00055	CO OIL SEAL 35 X 72 X 10		
24.	0.195.6001.00	CO CROWN GEAR Z30 M5		
25.	U0.195.7101.00	CO OIL LEVEL PLUG 3/8" GAS		

Driveline (826-012C) Eurocardan (S/N 199605-)

Applies to AT2560, AT2572



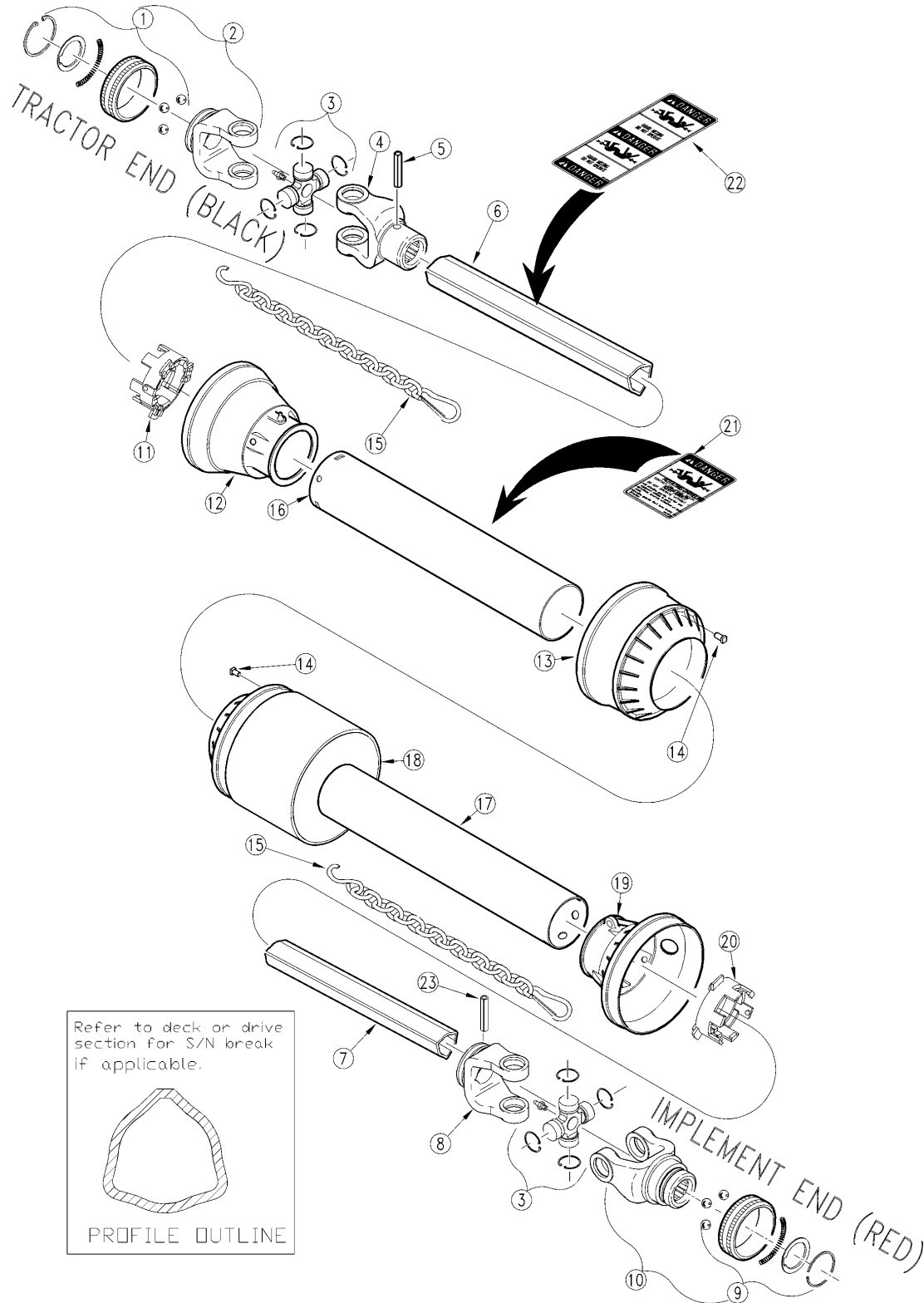
22243

Driveline (826-012C) Eurocardan (S/N 199605-)**Applies to AT2560, AT2572**

Ref	Part No.	Part Description	Comments	Revision
	dwg22243	Drawing Image Number		
	826-012C	DRIVELINE WITH EXT. CONE		
1.	1004220	EC TWIST COLLAR KIT (TRT. END)		
2.	1012010	EC YOKE ASSEMBLY (TRACT. END)		
3.	1002020	EC CROSS ASSEMBLY		
4.	1702027	EC OUTER TUBE YOKE		
5.	6330855	EC 8X55-DIN-1481 O/TUBE R/PIN		
6.	1523073	EC OUTER TUBE		Rev. 2
6.	1532322	RPBY 1523073		Rev 1; Use up stock
7.	1522073	EC INNER TUBE		Rev. 2
7.	1532308	RPBY 1522073		Rev 1; Use up stock
8.	1702029	EC INNER TUBE YOKE		
9.	1004224	EC TWIST COLLAR KIT (IMP. END)		
10.	1112010	EC YOKE ASSEMBLY (IMP. END)		
11.	1782210	EC TUBE BEARING		Rev. 2
11.	1782016	EC TUBE BEARING		Rev 1; Use up stock
12.	1884201	EC OUTER TUBE RIGID CONE		Rev. 2
12.	1883230	RPBY 1884201		Rev 1; Use up stock
13.	1884203	EC SOFT CONE		Rev. 2
13.	1883013	RPBY 1884203		Rev 1; Use up stock
14.	1784212	EC PIN STOP ROTATION		
15.	044321	DRIVELINE SHIELD SAFETY CHAIN		
16.	1873065	EC OUTER TUBE (1873077) 650 MM		Rev. 2
16.	1882348	RPBY 1873065		Rev 1; Use up stock
17.	1872065	EC INNER TUBE		Rev. 2
17.	1772335	RPBY 1872065		Rev 1; Use up stock
18.	1884205	EC SOFT LONG CONE		Rev. 2
18.	1883014	RPBY 1884205		Rev 1; Use up stock
19.	1884202	EC INNER TUBE RIGID CONE		Rev. 2
19.	1883231	RPBY 1884202		Rev 1; Use up stock
20.	1782211	EC TUBE BEARING IMP END		Rev. 2
20.	1782016	EC TUBE BEARING		Rev 1; Use up stock
21.	818-552C	DECAL DANGER PTO DRIVELINE		
22.	818-540C	DECAL DANGER GUARD MISS PTO		
23.	6330860	EC 08X60 1485DIN ROLL PIN		

Driveline (826-012C) Eurocardan (S/N 199606+)

Applies to AT2560, AT2572



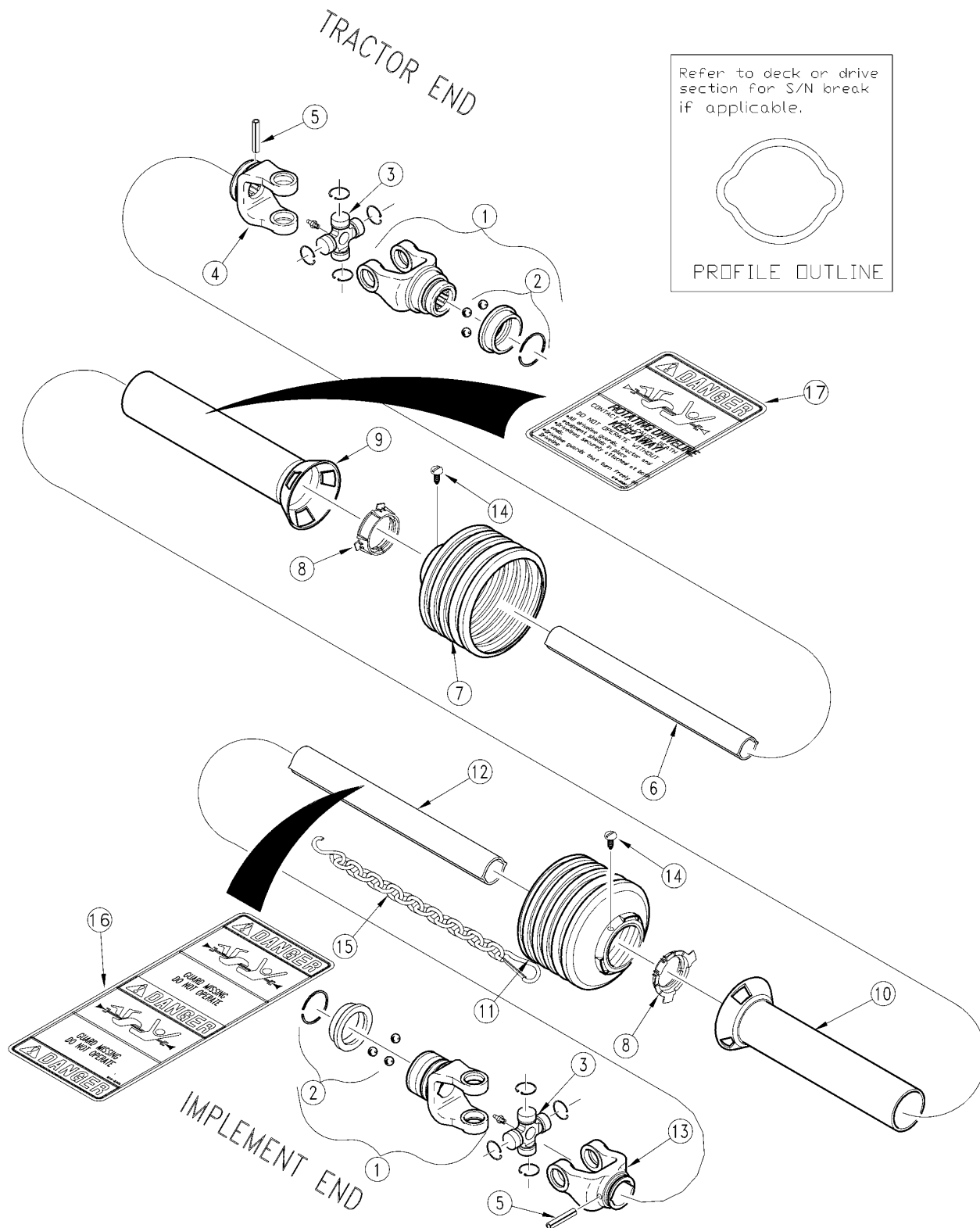
22243

Driveline (826-012C) Eurocardan (S/N 199606+)**Applies to AT2560, AT2572**

Ref	Part No.	Part Description	Comments	Revision
	dwg22243	Drawing Image Number		
	826-012C	DRIVELINE WITH EXT. CONE		
1.	1004220	EC TWIST COLLAR KIT (TRT. END)		
2.	1013010	EC YOKE ASSEMBLY (TRACT. END)		
3.	1003020	EC CROSS ASSEMBLY		
4.	1703027	EC OUTER TUBE YOKE		
5.	6330865	EC 8X65-DIN-1481 O/TUBE R/PIN		
6.	1524072	EC OUTER TUBE (1524085) 720MM		
7.	1523072	EC INNER TUBE		
8.	1703029	EC INNER TUBE YOKE		
9.	1004224	EC TWIST COLLAR KIT (IMP. END)		
10.	1113010	EC YOKE ASSEMBLY (TRACT. END)		
11.	1784210	EC TUBE BEARING		
12.	1884201	EC OUTER TUBE RIGID CONE		
13.	1884203	EC SOFT CONE		
14.	1784212	EC PIN STOP ROTATION		
15.	044321	DRIVELINE SHIELD SAFETY CHAIN		
16.	1873064	EC OUTER TUBE (1873077) 640MM		
17.	1872064	EC INNER TUBE (1872075) 640MM		
18.	1884205	EC SOFT LONG CONE		
19.	1884202	EC INNER TUBE RIGID CONE		
20.	1784211	EC TUBE BEARING		
21.	818-552C	DECAL DANGER PTO DRIVELINE		
22.	818-540C	DECAL DANGER GUARD MISS PTO		
23.	6330860	EC 08X60 1485DIN ROLL PIN		

Driveline (826-012C) Walterscheid

Applies to AT2560, AT2572



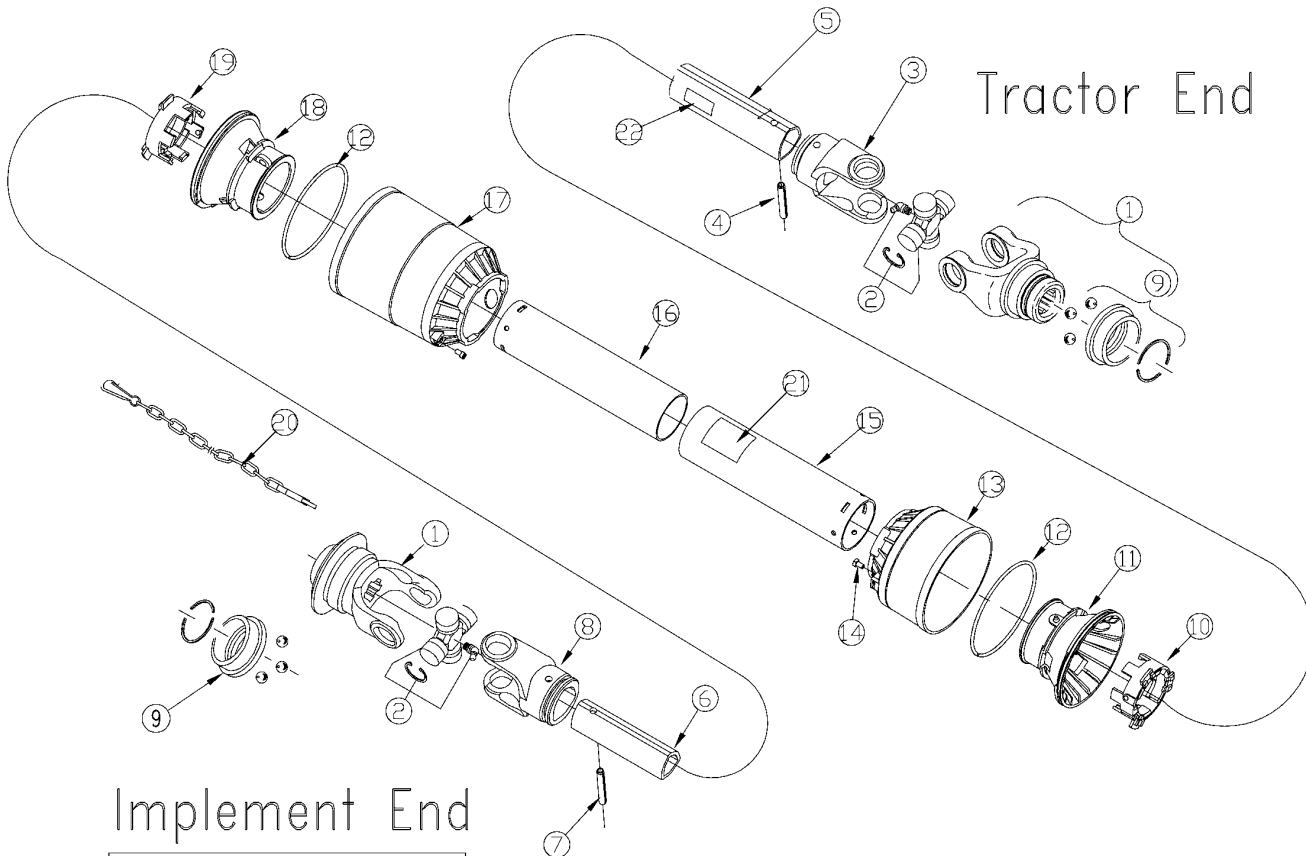
10824

Driveline (826-012C) Walterscheid**Applies to AT2560, AT2572**

Ref	Part No.	Part Description	Comments	Revision
	dwg10824	Drawing Image Number		
	826-012C	DRIVELINE WITH EXT. CONE		
1.	380905	WS END YOKE		
2.	381908	WS QUICK DISCONNECT KIT		
3.	044439	WS CROSS & BRG KIT		
4.	041065	WS INBOARD YOKE		
5.	020614	WS SPRING PIN		
6.	054484	WS INNER PROFILE		
7.	377234	WS SHIELD CONE-4 RIB		
8.	087279	WS BEARING RING		
9.	387332	WS OUTER SHIELD TUBE		
10.	387266	WS INNER SHIELD TUBE		
11.	377240	WS SHIELD CONE-10RIB		
12.	054482	WS OUTER PROFILE		
13.	041068	WS INBOARD YOKE		
14.	365305	WS SCREW		
15.	044321	WS SAFETY CHAIN		
16.	818-540C	DECAL DANGER GUARD MISS PTO		
17.	818-552C	DECAL DANGER PTO DRIVELINE		

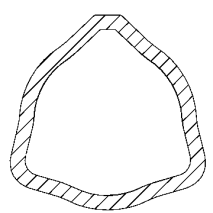
Driveline (826-064C) Eurocardan

Applies to AT2560, AT2572



Implement End

Refer to deck or drive section for S/N break if applicable.



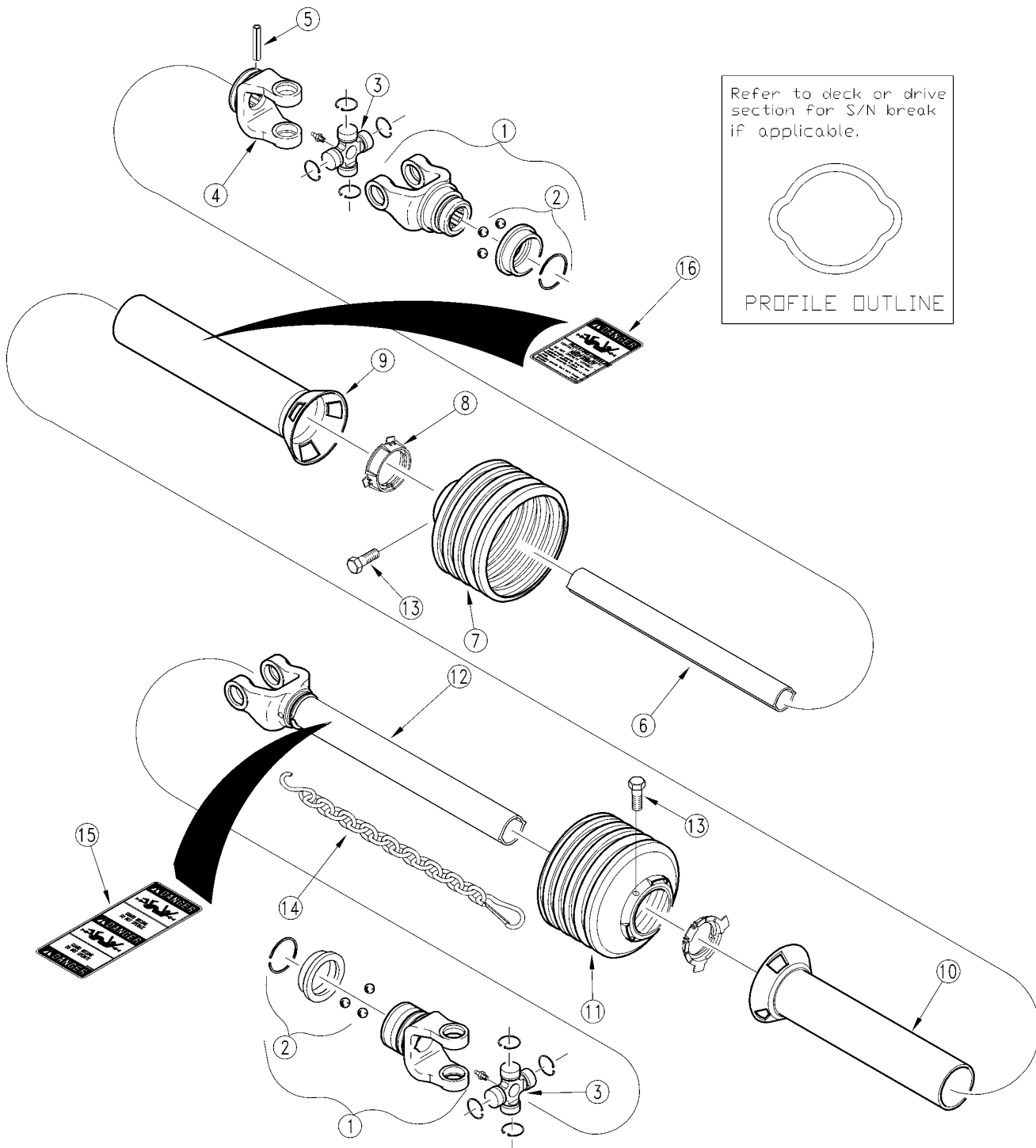
PROFILE OUTLINE

Driveline (826-064C) Eurocardan**Applies to AT2560, AT2572**

Ref	Part No.	Part Description	Comments	Revision
	dwg22224	Drawing Image Number		
	826-064C	DRIVELINE CAT.4 SC 540RPM		
1.	1014012	EC YOKE ASSEMBLY		
2.	1004020	EC CROSS ASSEMBLY (U JOINT)		
3.	1704027	EC OUTER TUBE YOKE		
4.	6330860	EC 08X60 1485DIN ROLL PIN		
5.	1524072	EC OUTER TUBE (1524095) 720MM		
6.	1525072	EC INNER TUBE (1525095) 720MM		
7.	6330855	EC 8X55-DIN-1481 O/TUBE R/PIN		
8.	1704029	EC INNER TUBE YOKE		
9.	1004225	EC PULL COLLAR KIT		
10.	1784210	EC TUBE BEARING		
11.	1884201	EC OUTER TUBE RIGID CONE		
12.	1213233	EC STIFFENING RING		
13.	1884203	EC SOFT CONE		
14.	1784212	EC PIN STOP ROTATION		
15.	1873064	EC OUTER TUBE (1873087) 640MM		
16.	1872064	EC INNER TUBE (1872087) 640MM		
17.	1884205	EC SOFT LONG CONE		
18.	1884202	EC INNER TUBE RIGID CONE		
19.	1784211	EC TUBE BEARING		
20.	044321	DRIVELINE SHIELD SAFETY CHAIN		
20.	1006065	REP BY 044321		
21.	818-552C	DECAL DANGER PTO DRIVELINE		
21.	1140001	REP BY 818-552C		
22.	818-540C	DECAL DANGER GUARD MISS PTO		
22.	1140003	REP BY 818-540C		

Driveline Heavy Duty (826-064C) Walterscheid

Applies to AT2560, AT2572



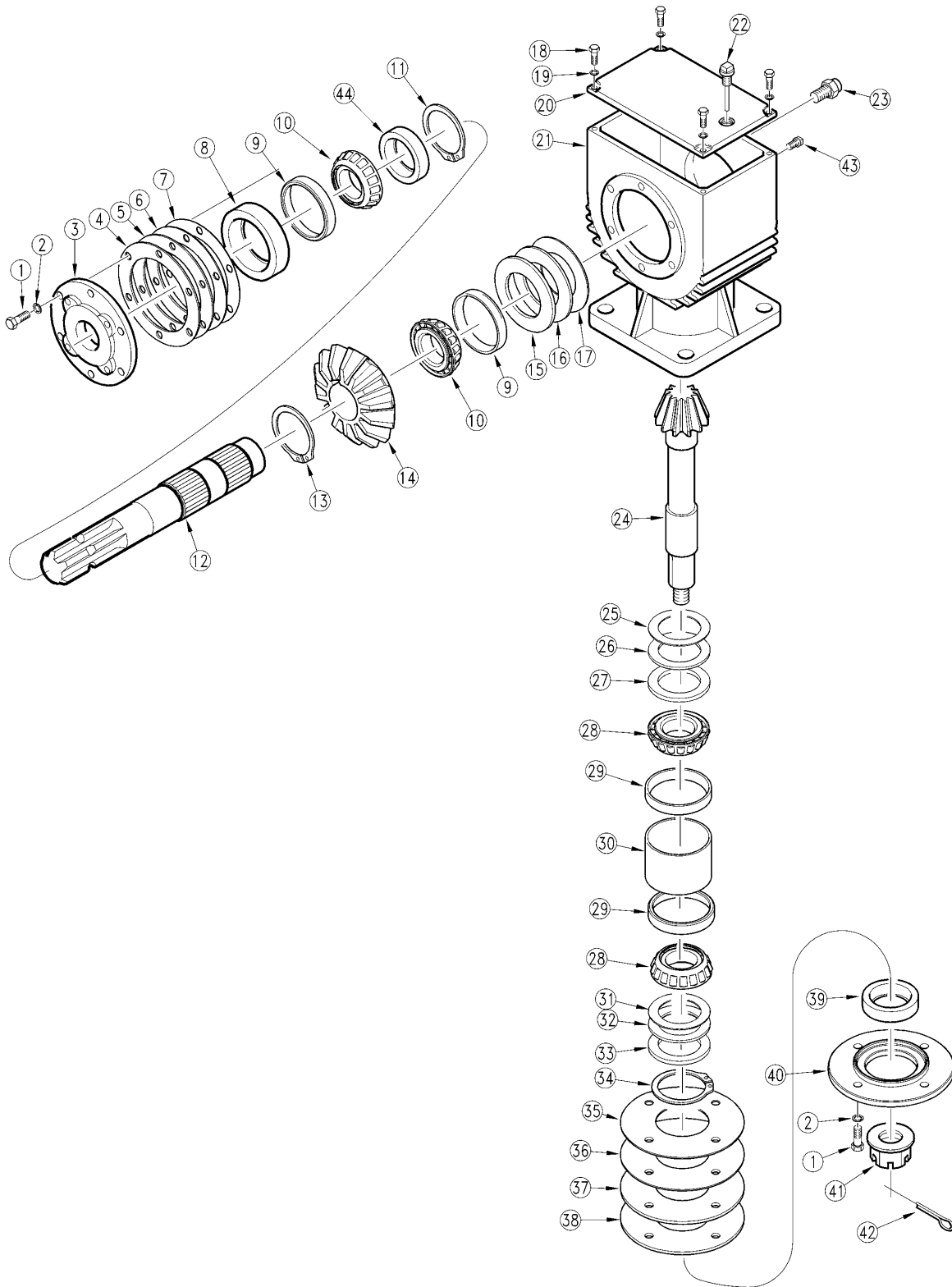
13457

Driveline Heavy Duty (826-064C) Walterscheid**Applies to AT2560, AT2572**

Ref	Part No.	Part Description	Comments	Revision
	dwg13457	Drawing Image Number		
	826-064C	PTO CAT. 3 X 34		
1.	380906	WS YOKE 1 3/8-6 SPL		
2.	381908	WS QUICK DISCONNECT KIT		
3.	044444	WS CROSS & BRG KIT		
4.	041576	WS INBOARD YOKE		
5.	020616	WS SPRING PIN		
6.	364859	WS INNER PROFILE 826-064C		
7.	377335	WS SHIELD CONE - 5 RIB		
8.	087276	WS BEARING RING - SC25		
9.	382877	WS OUTER SHIELD TUBE OVL		
10.	382878	WS INNER SHIELD TUBE RND		
11.	377340	WS SHIELD CONE 10 RIB		
12.	381178	WS YOKE W/OTR PROFILE 826-064C		
13.	365305	WS SCREW		
14.	044321	WS SAFETY CHAIN		
15.	818-540C	DECAL DANGER GUARD MISS PTO		
16.	818-552C	DECAL DANGER PTO DRIVELINE		

Gearbox (826-296C) OMNI

Applies to AT2584



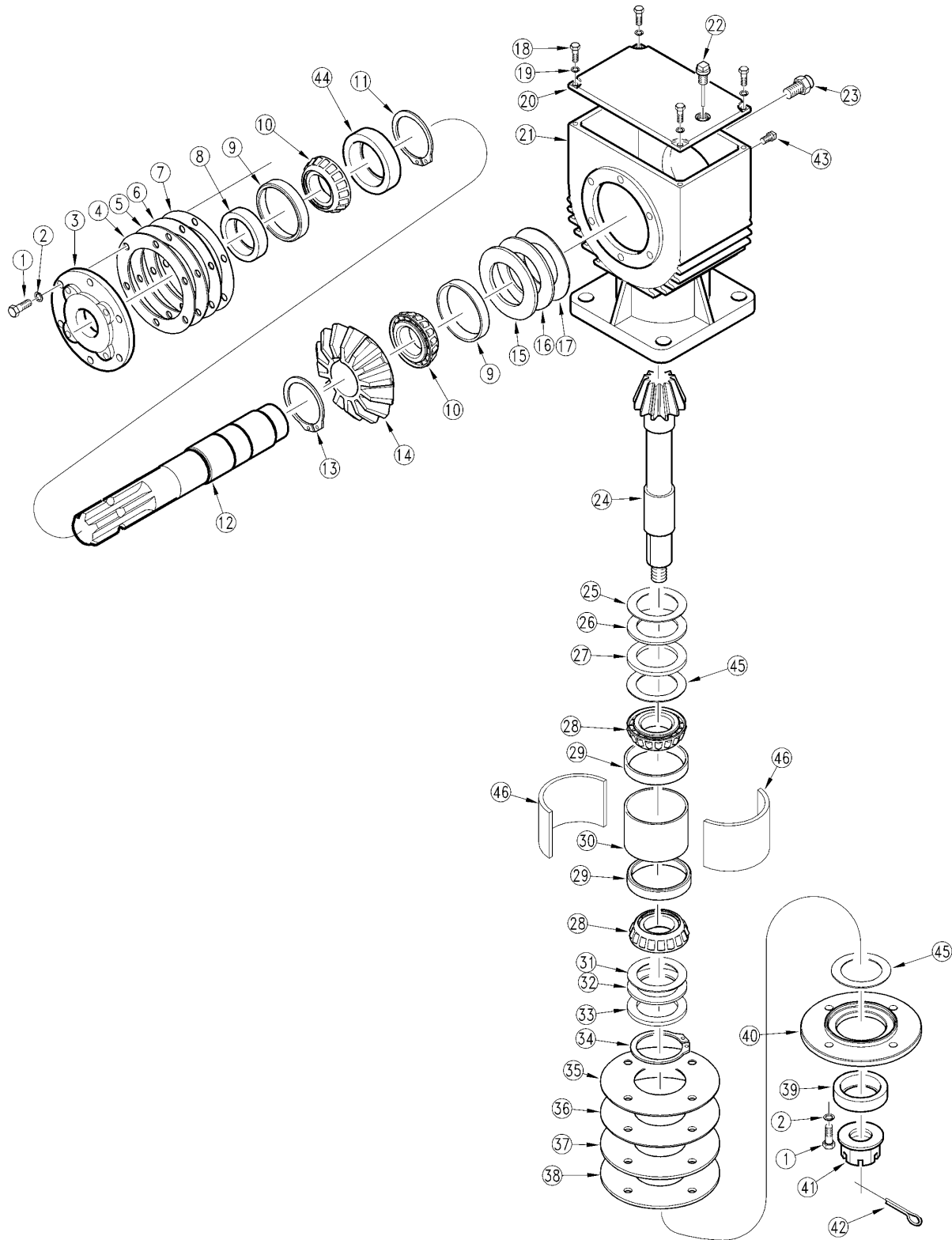
18948

Gearbox (826-296C) OMNI**Applies to AT2584**

Ref	Part No.	Part Description	Comments	Revision
	dwg18948	Drawing Image Number		
	826-296C	RC-25 1:2.8 CW 90 BOX(RC25HR)		
1.	110192	OMNI SCREW-5/16"-18UNC X 7/8"		
2.	130006	OMNI LOCKWASHR 5/16"SPLIT TYPE		
3.	020224	OMNI CAP-INPUT		
4.	070249	OMNI GASKET-INPUT 0.50MM		
5.	070248	OMNI GASKET-INPUT 0.30MM		
6.	070247	OMNI GASKET-INPUT 0.20MM		
7.	070246	OMNI GASKET-INPUT 0.10MM		
8.	060127	OMNI SEAL-INPUT CR13930		
9.	050170	OMNI BEARING CUP 30207		
10.	050172	OMNI BEARING CONE 30207		
11.	200140	OMNI RTNG. RING 38MM RC DSH-38		
12.	040491	OMNI SHAFT-INPUT 1-3/8"-6 SPLN		
13.	200141	OMNI RTNG. RING 38MM RC DSH-38		
14.	030457	OMNI GEAR INPUT, 34T		
15.	090181	OMNI SHIM INPUT 0.30MM		
16.	090180	OMNI SHIM INPUT 0.20MM		
17.	090179	OMNI SHIM INPUT 0.10MM		
18.	110009	OMNI SCREW-1/4"-20 UNC X 3/4"		
19.	130028	OMNI LOCKWASHR 1/4" SPLIT TYPE		
20.	240280	OMNI INSPECTION COVER		
21.	010252	OMNI HOUSING-RC-25		
22.	140047	OMNI PLUG SQ.HD.1/2-14NPT W/DP		
23.	140000	OMNI PIPE PLUG 1/2' SQ HEAD		
24.	030456	OMNI PINION-OUTPUT 12T		
25.	090182	OMNI SHIM OUTPUT 0.10MM		
26.	090183	OMNI SHIM OUTPUT 0.20MM		
27.	090184	OMNI SHIM OUTPUT 0.30MM		
28.	050197	OMNI BEARING CONE 30208		
29.	050195	OMNI BEARING CUP 30208		
30.	090185	OMNI SPACER OUTPUT		
31.	090186	OMNI SHIM OUTPUT 0.10MM		
32.	090187	OMNI SHIM OUTPUT 0.20MM		
33.	090188	OMNI SHIM OUTPUT 0.30MM		
34.	200000	OMNI RETAINING RING		
35.	070250	OMNI GASKET-OUTPUT 0.10MM		
36.	070251	OMNI GASKET-OUTPUT 0.20MM		
37.	070252	OMNI GASKET-OUTPUT 0.30MM		
38.	070253	OMNI GASKET-OUTPUT 0.50MM		
39.	060128	OMNI SEAL-OUTPUT CR15822		
40.	020225	OMNI CAP-OUTPUT		
41.	120050	OMNI NUT HEX SLOTTED, 1-14UNC		
42.	100001	OMNI COTTER PIN 5 X 50		
43.	140017	OMNI PLUG PIPE SQ HD1/8-27NPTF		
44.	090341	OMNI SPACER, INPUT		

Gearbox (826-311C) AT2684) OMNI

Applies to AT2584



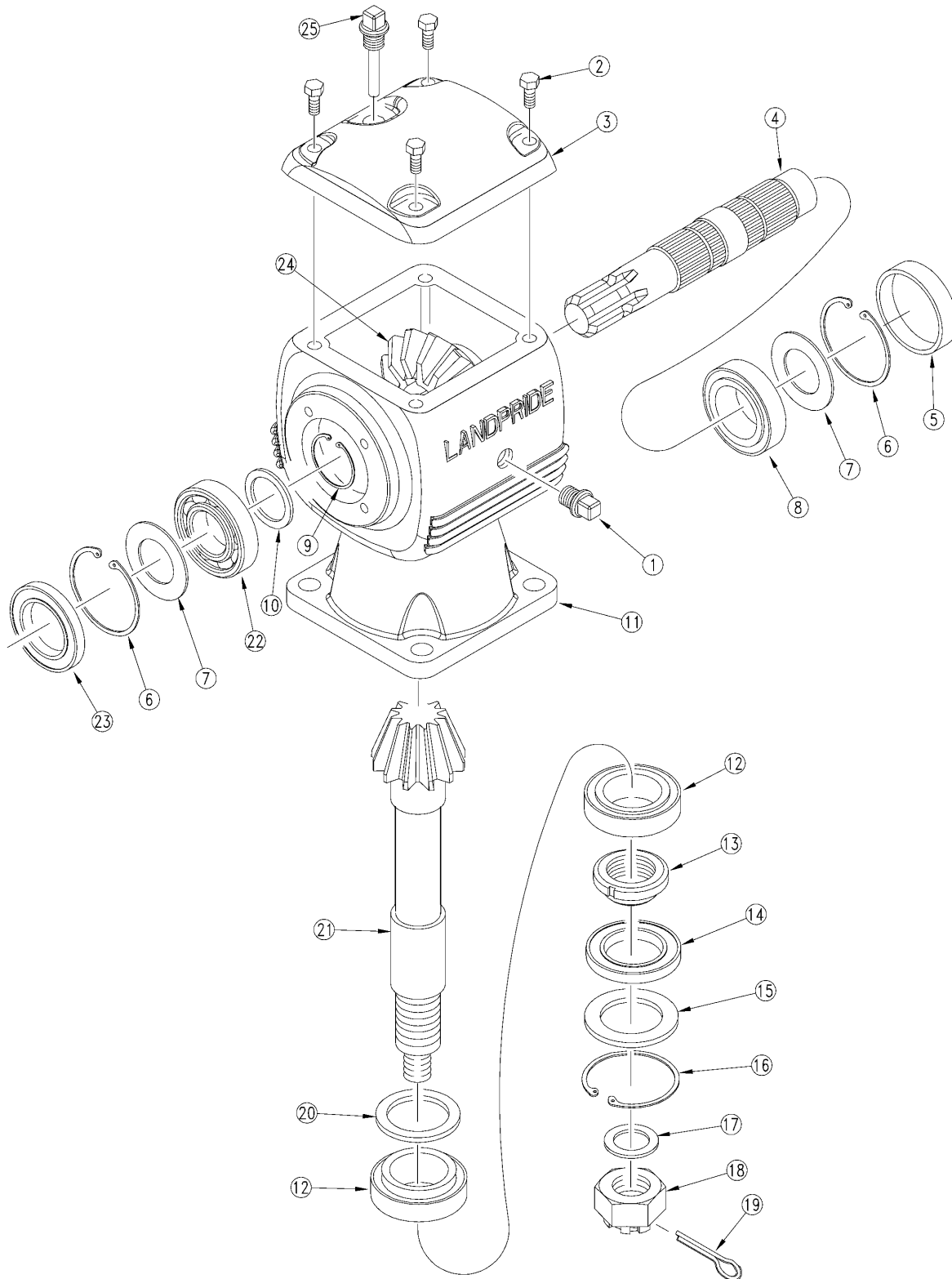
19602

Gearbox (826-311C) AT2684) OMNI**Applies to AT2584**

Ref	Part No.	Part Description	Comments	Revision
	dwg19602	Drawing Image Number		
	826-311C	RC-25 1:2.8 CW 90 BOX(RC25HR)		
1.	110192	OMNI SCREW-5/16"-18UNC X 7/8"		
2.	130006	OMNI LOCKWASHR 5/16"SPLIT TYPE		
3.	020224	OMNI CAP-INPUT		
4.	070249	OMNI GASKET-INPUT 0.50MM		
5.	070248	OMNI GASKET-INPUT 0.30MM		
6.	070247	OMNI GASKET-INPUT 0.20MM		
7.	070246	OMNI GASKET-INPUT 0.10MM		
8.	060127	OMNI SEAL-INPUT CR13930		
9.	050170	OMNI BEARING CUP 30207		
10.	050172	OMNI BEARING CONE 30207		
11.	200140	OMNI RTNG. RING 38MM RC DSH-38		
12.	040491	OMNI SHAFT INPUT 1 3/8" - 6A		
13.	200141	OMNI RTNG. RING 38MM RC DSH-38		
14.	030457	OMNI GEAR INPUT, 34T		
15.	090181	OMNI SHIM INPUT 0.30MM		
16.	090180	OMNI SHIM INPUT 0.20MM		
17.	090179	OMNI SHIM INPUT 0.10MM		
18.	110009	OMNI SCREW-1/4"-20 UNC X 3/4"		
19.	130028	OMNI LOCKWASHR 1/4" SPLIT TYPE		
20.	240280	OMNI INSPECTION COVER		
21.	010252	OMNI HOUSING RC-25 SERIES		
22.	140047	OMNI PLUG SQ.HD.1/2-14NPT W/DP		
23.	140000	OMNI PIPE PLUG 1/2' SQ HEAD		
24.	030456	OMNI PINION-OUTPUT 12T		
25.	090182	OMNI SHIM OUTPUT 0.10MM		
26.	090183	OMNI SHIM OUTPUT 0.20MM		
27.	090184	OMNI SHIM OUTPUT 0.30MM		
28.	050197	OMNI BEARING CONE 30208		
29.	050195	OMNI BEARING CUP 30208		
30.	310-580D	OMNI OUTPUT SPACER 27mm		
31.	090186	OMNI SHIM OUTPUT 0.10MM		
32.	090187	OMNI SHIM OUTPUT 0.20MM		
33.	090188	OMNI SHIM OUTPUT 0.30MM		
34.	200000	OMNI RETAINING RING		
35.	070250	OMNI GASKET-OUTPUT 0.10MM		
36.	070251	OMNI GASKET-OUTPUT 0.20MM		
37.	070252	OMNI GASKET-OUTPUT 0.30MM		
38.	070253	OMNI GASKET-OUTPUT 0.50MM		
39.	060128	OMNI SEAL-OUTPUT CR15822		
40.	020225	OMNI CAP-OUTPUT		
41.	120050	OMNI NUT HEX SLOTTED, 1-14UNC		
42.	100001	OMNI COTTER PIN 5 X 50		
43.	140017	OMNI PLUG PIPE SQ HD1/8-27NPTF		
44.	090341	OMNI SPACER, INPUT		
45.	310-581D	OMNI OUTPUT SHAFT SHIM 2mm		
46.	310-582D	OMNI HOUSING TAKE-UP SPACER		

Gearbox (826-326C) Comer AT2660, AT2672 & AT2684

Applies to AT2584



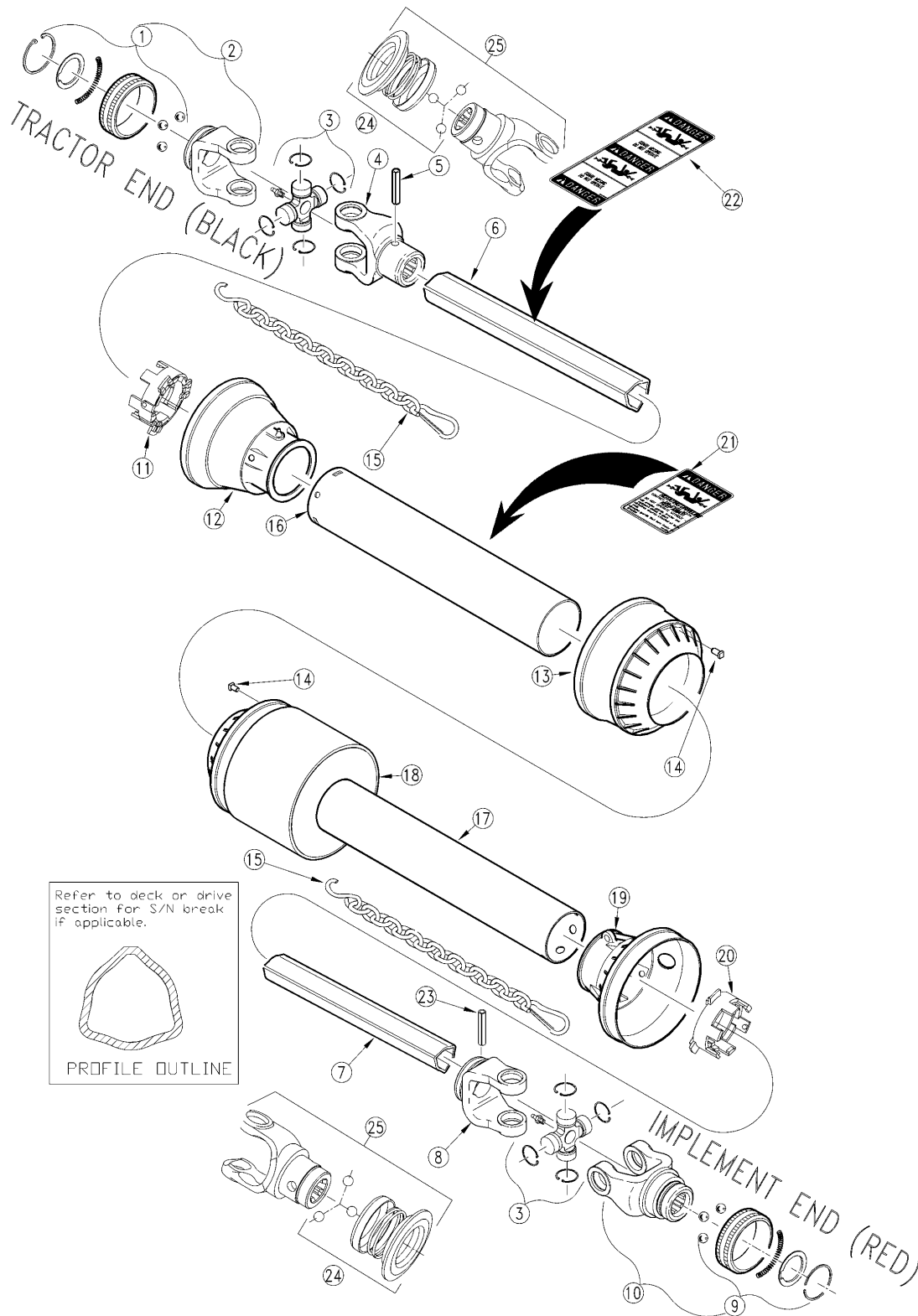
19549

Gearbox (826-326C) Comer AT2660, AT2672 & AT2684**Applies to AT2584**

Ref	Part No.	Part Description	Comments	Revision
	dwg19549	Drawing Image Number		
	826-326C	GBOX MOWER 50 HP 1:2.8 CW		
1.	8.6.5.00006	CO OIL PLUG 3/8		
2.	8.1.1.00501	CO BOLT M8X22 HHB		
3.	0.195.1300.00	CO COVER		
4.	0.195.2000.00	CO INPUT SHAFT 1" 3/8 Z6		
5.	8.7.0.00744	CO CAP 72 X 10		
6.	8.5.2.00131	CO SNAP RING INT 72 UN17437		
7.	A.248.500	COMER SHIM KIT 71.7		
8.	8.0.9.00026	CO ROLLER BEARING 30207 CL-B		
9.	8.5.1.00680	CO SNAP RING 40 UNI 7436		
10.	0.259.7525.00	CO SHIM 35.3 X 48 X 2.5		
11.	0.195.0300.00	CO HOUSING		
12.	8.0.9.00102	CO ROLLER BEARING 32208 CL-B		
13.	0.278.7103.00	CO NUT M40 X 1.5		
14.	8.7.3.00081	CO OIL SEAL 35 X 80 X 10 RTA35		
15.	1.195.7100.00	CO PROTECTIVE FLAT WASHER		
16.	8.5.3.00955	CO SNAP RING SB 81		
17.	8.3.2.00409	CO FLAT WASHER 25 X 44 X 4		
18.	8.2.2.01144	NUT CASTLE M 24 X 2		
19.	8.4.7.00516	CO COTTER PIN B5 X 50		
20.	A244.501	CO SHIM 40.3 X 51.5 826-067C		
21.	0.195.5000.00	CO PINION Z12 M4.7		
22.	822-166C	BEARING BALL 6207		
23.	8.7.3.00055	CO OIL SEAL 35 X 72 X 10		
24.	0.195.6000.00	CO CROWN GEAR Z33 M4.7		
25.	U0.195.7101.00	CO OIL LEVEL PLUG 3/8" GAS		

Driveline (826-297C) Eurocardan

Applies to AT2584



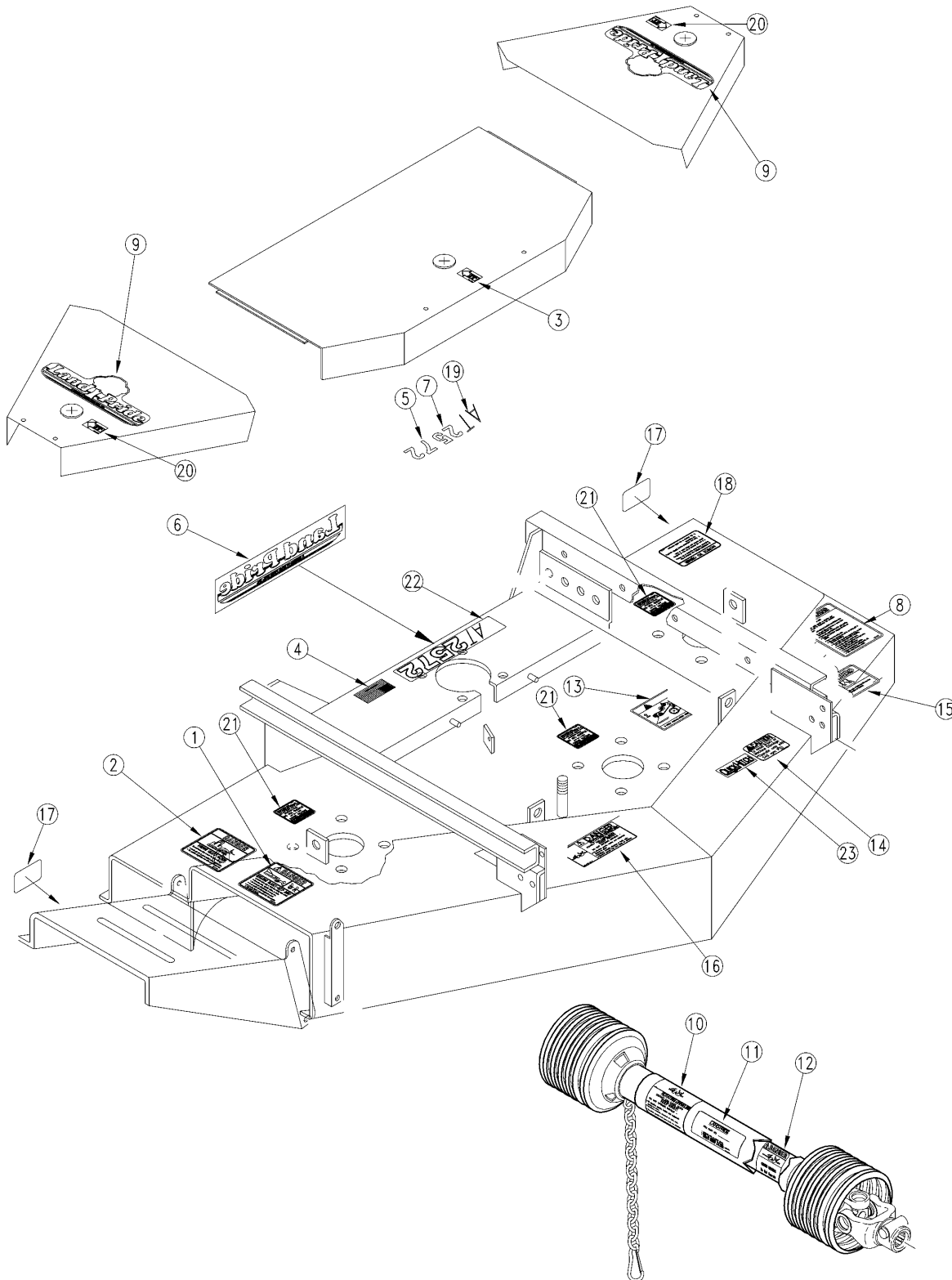
15220

Driveline (826-297C) Eurocardan**Applies to AT2584**

Ref	Part No.	Part Description	Comments	Revision
	dwg15220	Drawing Image Number		
	826-297C	DRIVELINE CAT.2 W/EXT. CONE		
1.	1004220	EC TWIST COLLAR KIT (TRT. END)		
2.	1013010	EC YOKE ASSEMBLY (TRACT. END)		
3.	1003020	EC CROSS ASSEMBLY		
4.	1703027	EC OUTER TUBE YOKE		
5.	6330860	EC 08X60 1485DIN ROLL PIN		
6.	1524085	EC 850MM OUT. STOCK LENGTH TB.		
7.	1523085	EC 850MM INNER STOCK LENGTH TB		
8.	1703029	EC INNER TUBE YOKE		
9.	1004224	EC TWIST COLLAR KIT (IMP. END)		
10.	1113010	EC YOKE ASSEMBLY (TRACT. END)		
11.	1784210	EC TUBE BEARING		
12.	1884201	EC OUTER TUBE RIGID CONE		
13.	1884203	EC SOFT CONE		
14.	1784212	EC PIN STOP ROTATION		
15.	044321	DRIVELINE SHIELD SAFETY CHAIN		
16.	1873077	EC 770MM OUTER STOCK SHEILD TB		
17.	1872077	EC INNER TUBE SHEILD 770MM		
18.	1884205	EC SOFT LONG CONE		
19.	1884202	EC INNER TUBE RIGID CONE		
20.	1784211	EC TUBE BEARING		
21.	818-552C	DECAL DANGER PTO DRIVELINE		
22.	818-540C	DECAL DANGER GUARD MISS PTO		
23.	6330855	EC 8X55-DIN-1481 O/TUBE R/PIN		
24.	1004225	EC PULL COLLAR KIT		
25.	1014012	EC YOKE ASSEMBLY		

Label Placement

Applies to AT2560, AT2572



22053

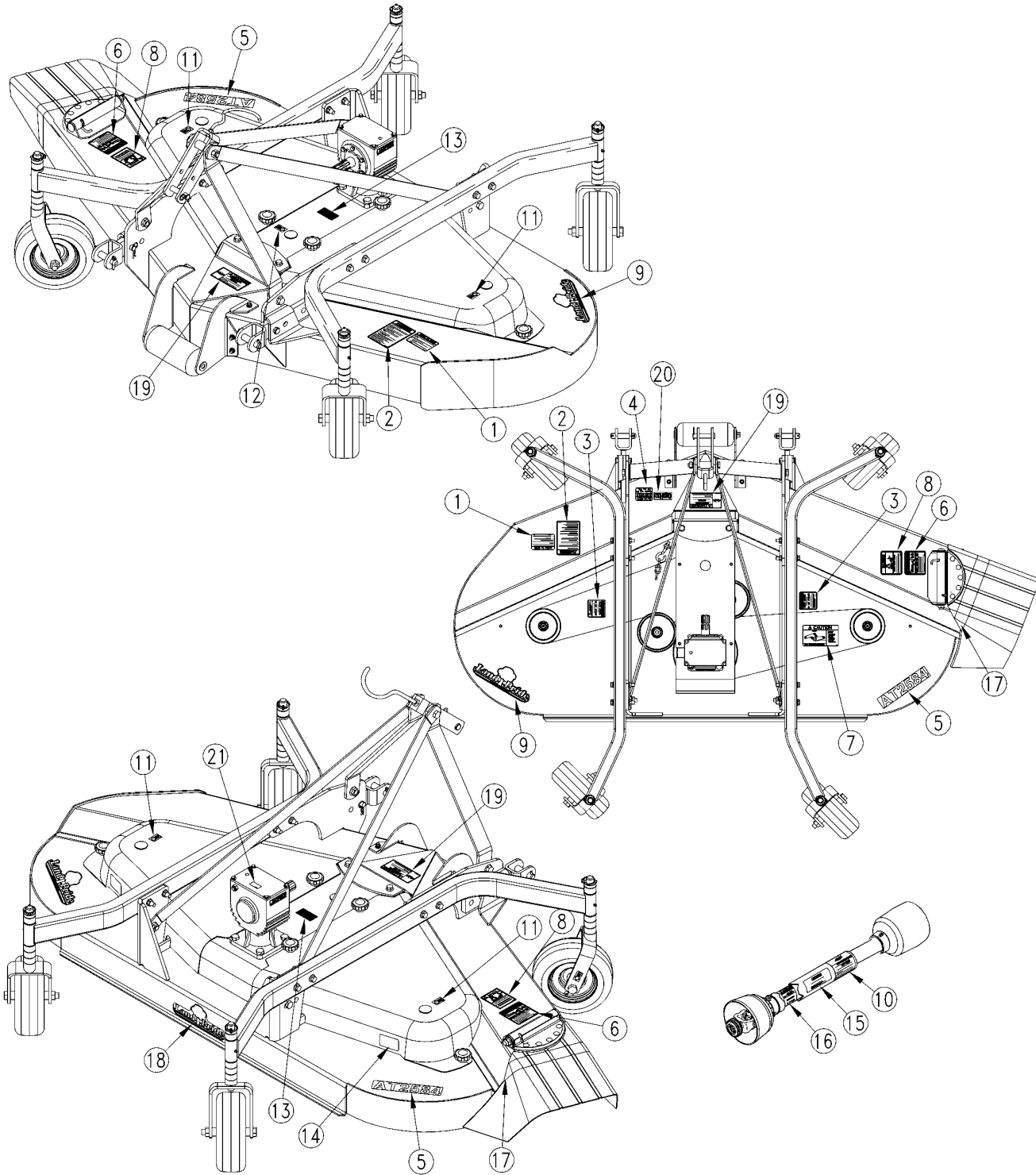
Label Placement

Applies to AT2560, AT2572

Ref	Part No.	Part Description	Comments	Revision
	dwg22053	Drawing Image Number		
	310-086A	FD/AT SAFETY DECAL PACKAGE		
	310-074A	FD/AT2560 DECAL PACKAGE		
	310-075A	FD/AT2572 DECAL PACKAGE		
1.	818-555C	DECAL DANGER ROTATE BLADE		
2.	818-556C	DECAL DANGER THROWN OBJ CUTTER		
3.	818-138C	DECAL GREASE EVERY 25 HOURS		
4.	818-190C	DECAL FLAG		
5.	818-090C	DECAL 60 LP - BLACK	(S/N 254707-)	
5.	818-092C	DECAL 72 LP - BLACK	(S/N 254707-)	
6.	818-899C	DECAL LANDPRIDE 13.25" - BROWN	(S/N 254708+)	Rev. 2 not compat. w/Rev. 1
6.	818-162C	LP LOGO LARGE GREEN	(S/N 254707-)	Rev. 1
7.	818-085C	DECAL 25 SERIES LP - BLACK	(S/N 254707-)	
8.	818-558C	DECAL WARNING GEN SAFE MOWER		
9.	818-892C	DECAL LP W/TREE 10" - 3 COLOR	(S/N 254708+)	Rev. 2 not compat. w/Rev. 1
9.	818-165C	LP LOGO SMALL BUCKSKIN	(S/N 254707-)	Rev. 1
10.	818-552C	DECAL DANGER PTO DRIVELINE		
11.	818-249C	DECAL PTO 826-064C		
11.	818-139C	DECAL PTO FD/AT {826-012C}		
12.	818-540C	DECAL DANGER GUARD MISS PTO		
13.	818-144C	DECAL CAUTION V-BELT INST 6072		
14.	818-130C	DECAL CAUTION 540 RPM		
15.	818-557C	DECAL DANGER CANNOT READ ENG	(S/N 254707-)	
16.	818-142C	DECAL DANGER PTO DRIVELINE EN		
17.	818-230C	DECAL RED REFLECTOR		
18.	818-560C	DECAL NOTICE TO OWNER-NO WARRA		
19.	818-728C	DECAL AT LAND PRIDE BLACK	(S/N 254750-)	
20.	818-298C	DECAL GREASE 25HRS BLACK/WHITE)		
21.	818-543C	DECAL DANGER PD GUARD MISS SML		
22.	818-916C	DECAL AT2560-BROWN	(S/N 254751+)	
22.	818-917C	DECAL AT2572-BROWN	(S/N 254751+)	
23.	838-517C	DECAL QUICK HITCH SYSTEM		

Label Placement AT26

Applies to AT2584



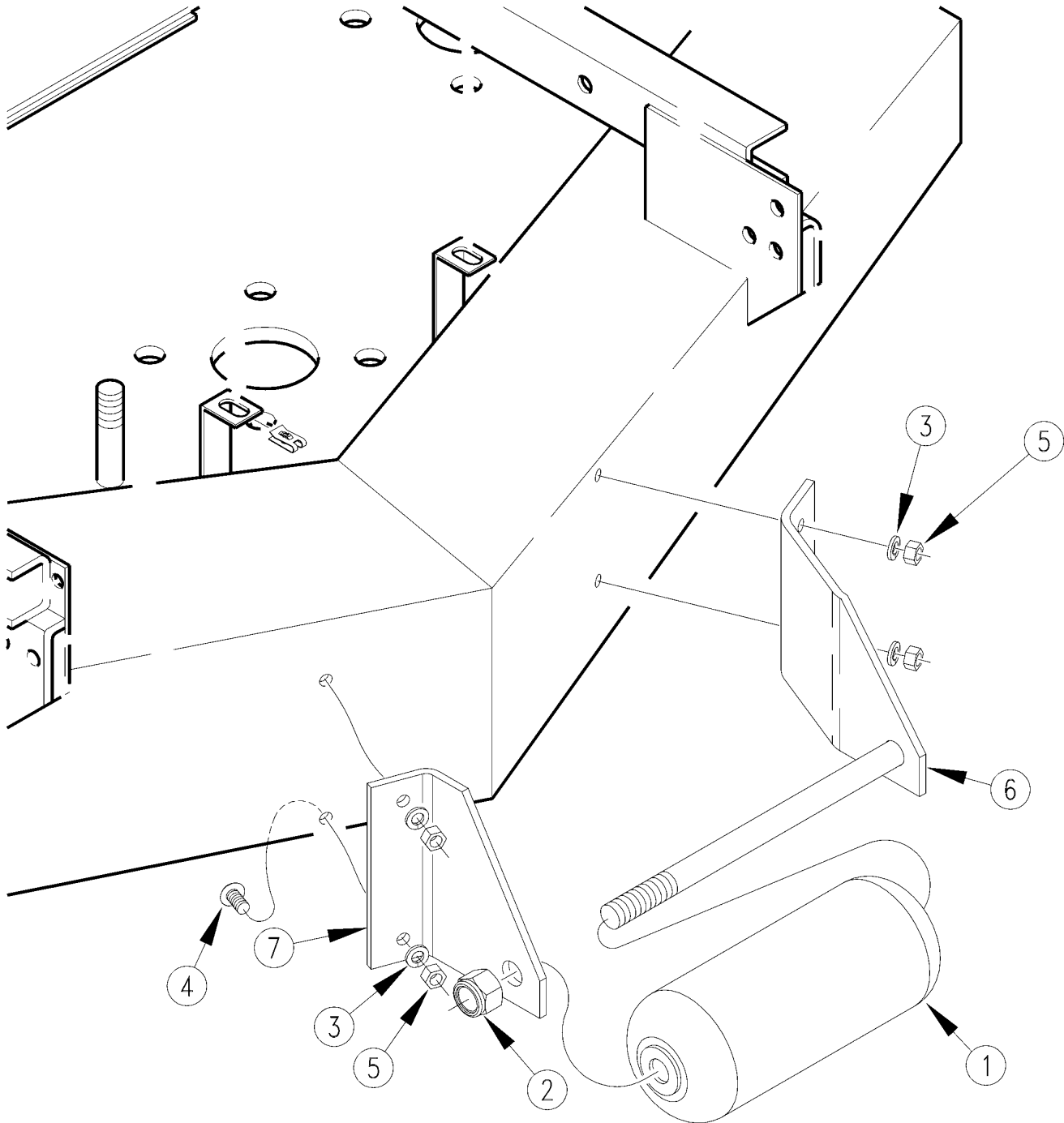
18887

Label Placement AT26**Applies to AT2584**

Ref	Part No.	Part Description	Comments	Revision
	dwg18887	Drawing Image Number		
	310-213A	AT2560 DECAL PACKAGE		
	310-214A	AT2572 DECAL PACKAGE		
	310-318A	AT2684 DECAL SHIPOUT BUNDLE		
1.	818-560C	DECAL NOTICE TO OWNER-NO WARRA		
2.	818-558C	DECAL WARNING GEN SAFE MOWER		
3.	818-543C	DECAL DANGER PD GUARD MISS SML		
4.	818-130C	DECAL CAUTION 540 RPM		
5.	838-300C	DECAL AT2660-BROWN		
5.	838-339C	DECAL AT2672-BROWN		
5.	838-260C	DECAL AT2684 - BROWN		
6.	818-555C	DECAL DANGER ROTATE BLADE		
7.	838-277C	DECAL V-BELT INST. AT2660		
7.	838-262C	DECAL V-BELT INSTALLATION		
7.	838-262C	DECAL V-BELT INST. AT2684		
8.	818-556C	DECAL DANGER THROWN OBJ CUTTER		
9.	818-890C	DECAL LP W/TREE 10" - 2 COLOR		
10.	818-552C	DECAL DANGER PTO DRIVELINE		
11.	818-298C	DECAL GREASE 25HRS BLACK/WHITE		
12.	818-138C	DECAL GREASE EVERY 25 HOURS		
13.	818-190C	DECAL FLAG		
14.	818-230C	DECAL RED REFLECTOR		
15.	838-063C	DECAL DRIVELINE 826-273C		
16.	818-540C	DECAL DANGER GUARD MISS PTO		
17.	838-272C	DECAL DANGER GUARD/BLADE HAZ.	Beneath grass chute	
18.	818-899C	DECAL LANDPRIDE 13.25" - BROWN		
19.	818-142C	DECAL DANGER PTO DRIVELINE EN		
20.	838-517C	DECAL QUICK HITCH SYSTEM		
21.	818-862C	DECAL 5 YEAR GEARBOX WARRANTY		

Front Anti-Scalping Roller

Applies to AT2560, AT2572



22054

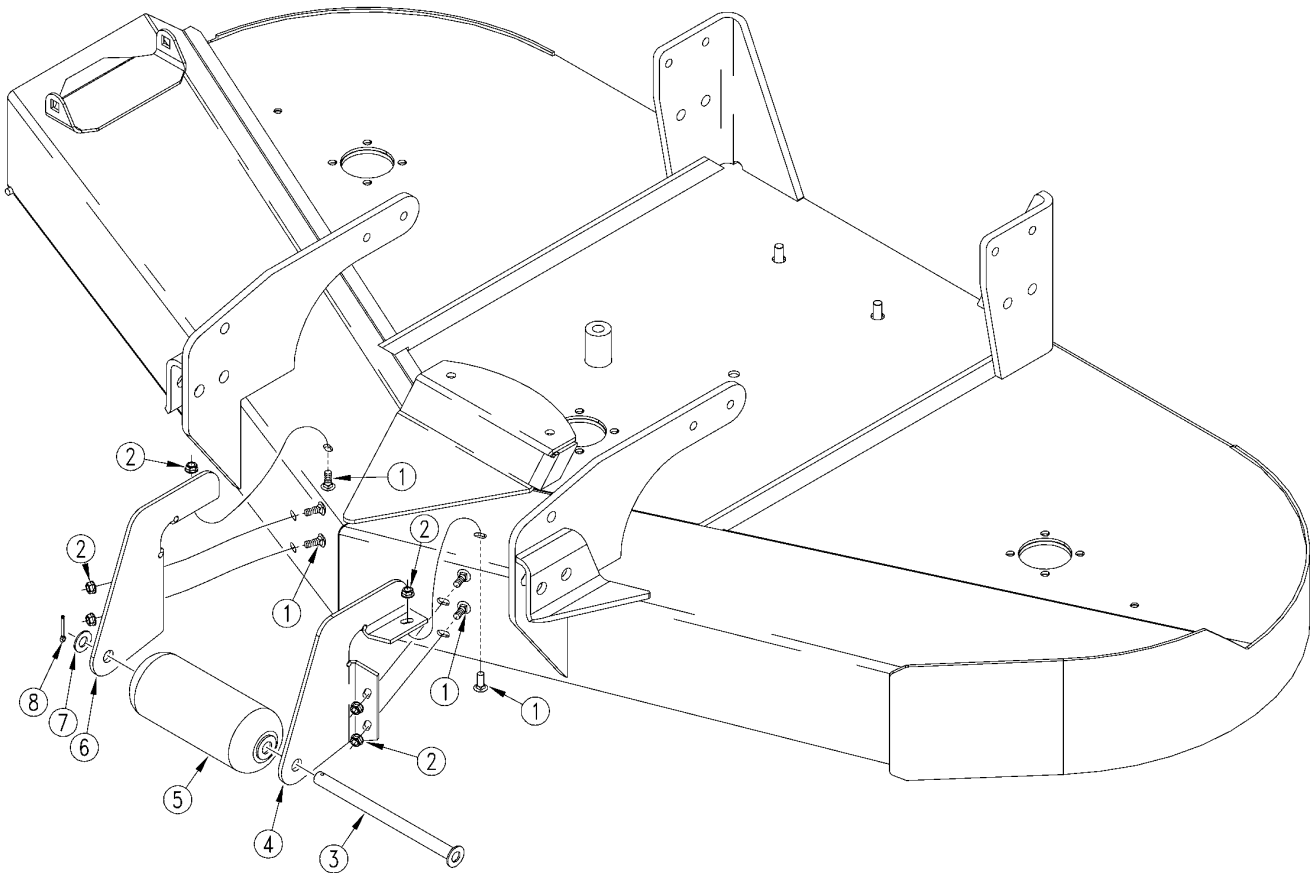
Front Anti-Scalping Roller

Applies to AT2560, AT2572

Ref	Part No.	Part Description	Comments	Revision
	dwg22054	Drawing Image Number		
	310-050S	FRONT ROLLER - 72 WIND TUNNEL		
1.	817-049C	4 X 10 ROLLER WHEEL		
2.	803-114C	NUT LOCK 3/4-16 NYLOC COLLAR		
3.	804-014C	WASHER LOCK 7/16 PLT		
4.	801-043C	SCREW SLOTTED RD HD 3/8-16 X 1		
5.	803-014C	NUT HEX 3/8-16 PLT		
6.	310-055H	W.T. ROLLER BRKT. W/SHAFT		
7.	310-128D	RH ROLLER BRACKET 72 WT		

Front Roller

Applies to AT2660, AT2672, AT2684



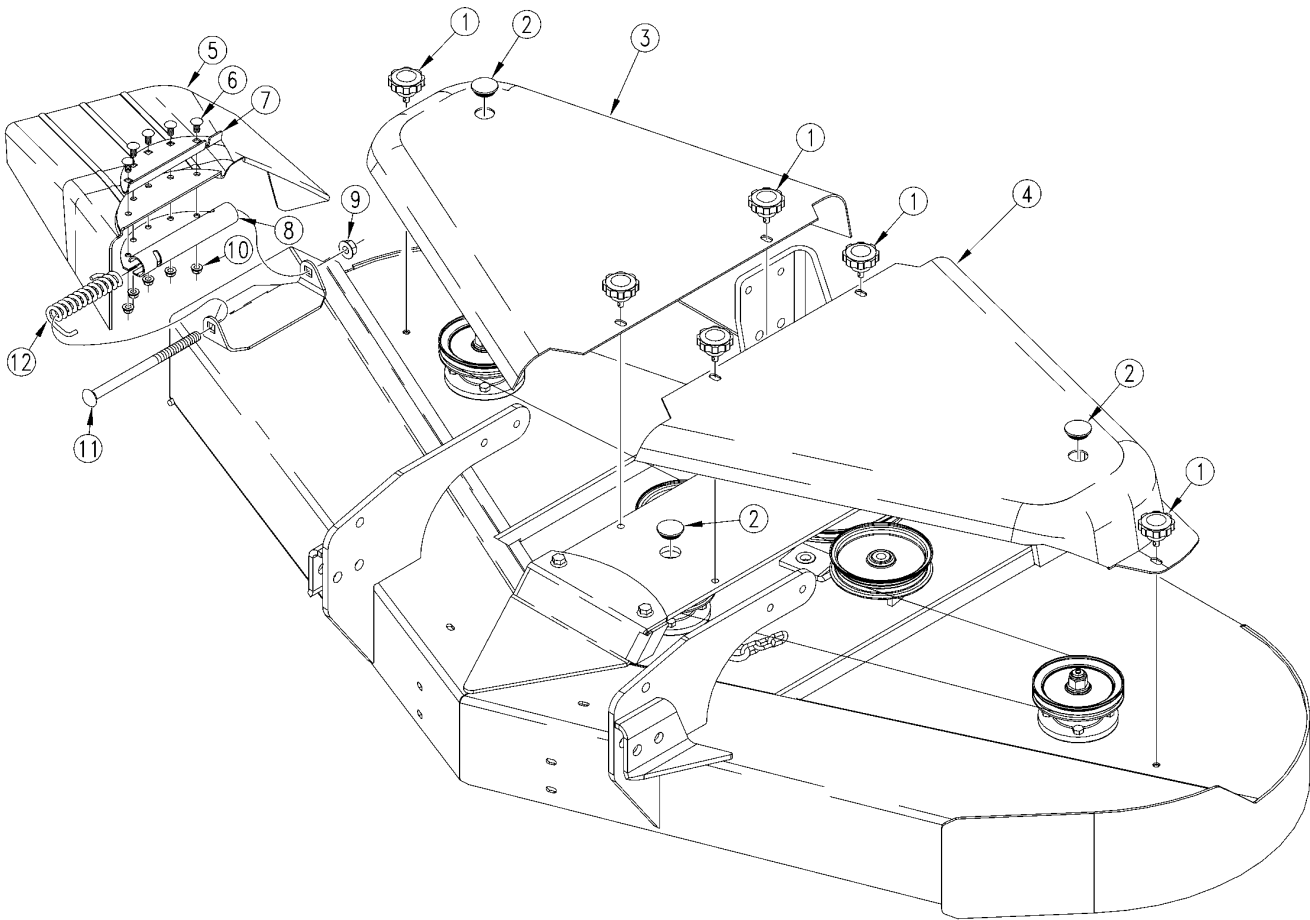
18882

Front Roller**Applies to AT2660, AT2672, AT2684**

Ref	Part No.	Part Description	Comments	Revision
	dwg18882	Drawing Image Number		
	310-317S	FRONT ROLLER AT2660-72-84		
1.	802-015C	RHSNB 3/8-16X1 GR5		
2.	803-025C	NUT HEX 3/4-10 PLT NYLOCK		
3.	310-266H	WLDMT. ROLLER SHAFT		
4.	310-551D	FRONT ROLLER BRACKET LH.		
5.	817-049C	4 X 10 ROLLER WHEEL		
6.	310-550D	FRONT ROLLER BRACKET RH.		
7.	804-025C	WASHER FLAT 3/4 SAE PLT		
8.	805-016C	PIN COTTER 3/16 X 1 1/4 PLT		

Guards

Applies to AT2660, AT2672, AT2684



18883

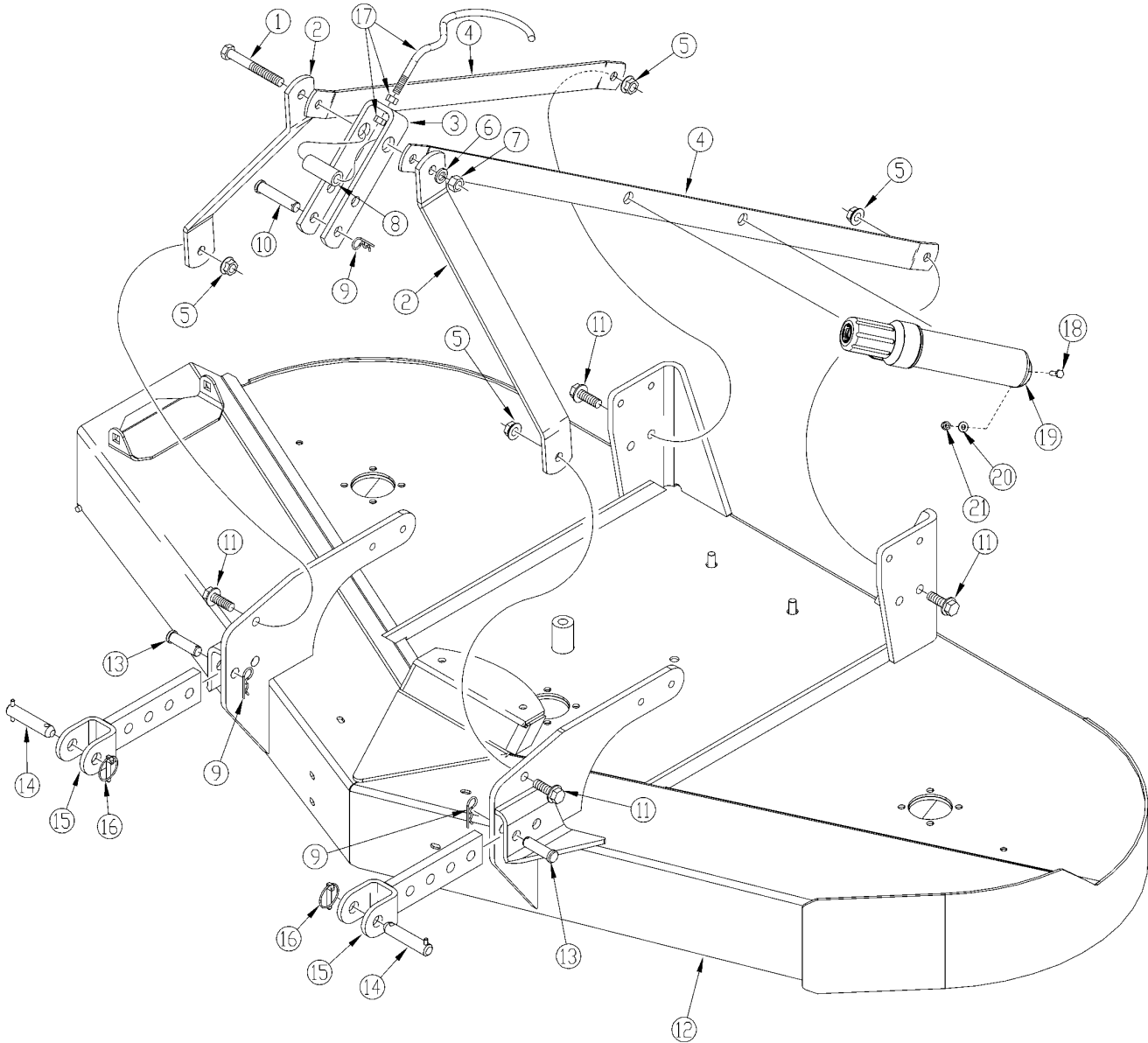
Guards

Applies to AT2660, AT2672, AT2684

Ref	Part No.	Part Description	Comments	Revision
	dwg18883	Drawing Image Number		
1.	817-358C	KNOB 3/8-16 MALE THD 2 3/8OD		
2.	816-298C	RUBBER PLUG 1 3/8 W/CROSS SLIT		
3.	817-428C	PLASTIC BELT GUARD RH. AT2660		
3.	817-436C	PLASTIC BELT GUARD RH. AT2672		
3.	817-408C	PLASTIC BELT GUARD RH. AT2584		
4.	817-429C	PLASTIC BELT GUARD LH. AT2660		
4.	817-437C	PLASTIC BELT GUARD LH. AT2672		
4.	817-409C	PLASTIC BELT GUARD LH. AT2584		
5.	817-427C	RUBBER DISCHARGE DEFLECTOR	AT2660 & AT2672	
5.	817-412C	RUBBER DISCHARGE DEFLECTOR	AT2684 (Shown)	
6.	802-149C	RHSNB 3/8-16X3/4 GR5		
7.	310-578D	TOP PLATE HINGE SUPPORT	AT2660 & AT2672	
7.	310-563D	TOP PLATE HINGE SUPPORT	AT2684 (Shown)	
8.	310-579D	HINGE SUPPORT	AT2660 & AT2672	
8.	310-562D	HINGE SUPPORT	AT2684 (Shown)	
9.	803-263C	NUT HEX FLANGE LOCK 5/8-11		
10.	803-198C	NUT HEX WHIZ 3/8-16 PLT		
11.	802-692C	RHSNB 5/8-11X7 1/2 PLT	AT2660 & AT2672	
11.	802-688C	RHSNB 5/8-11X10 GR5 PLT	AT2684 (Shown)	
12.	807-189C	SPRING TORSION		

Hitch

Applies to AT2660, AT2672, AT2684



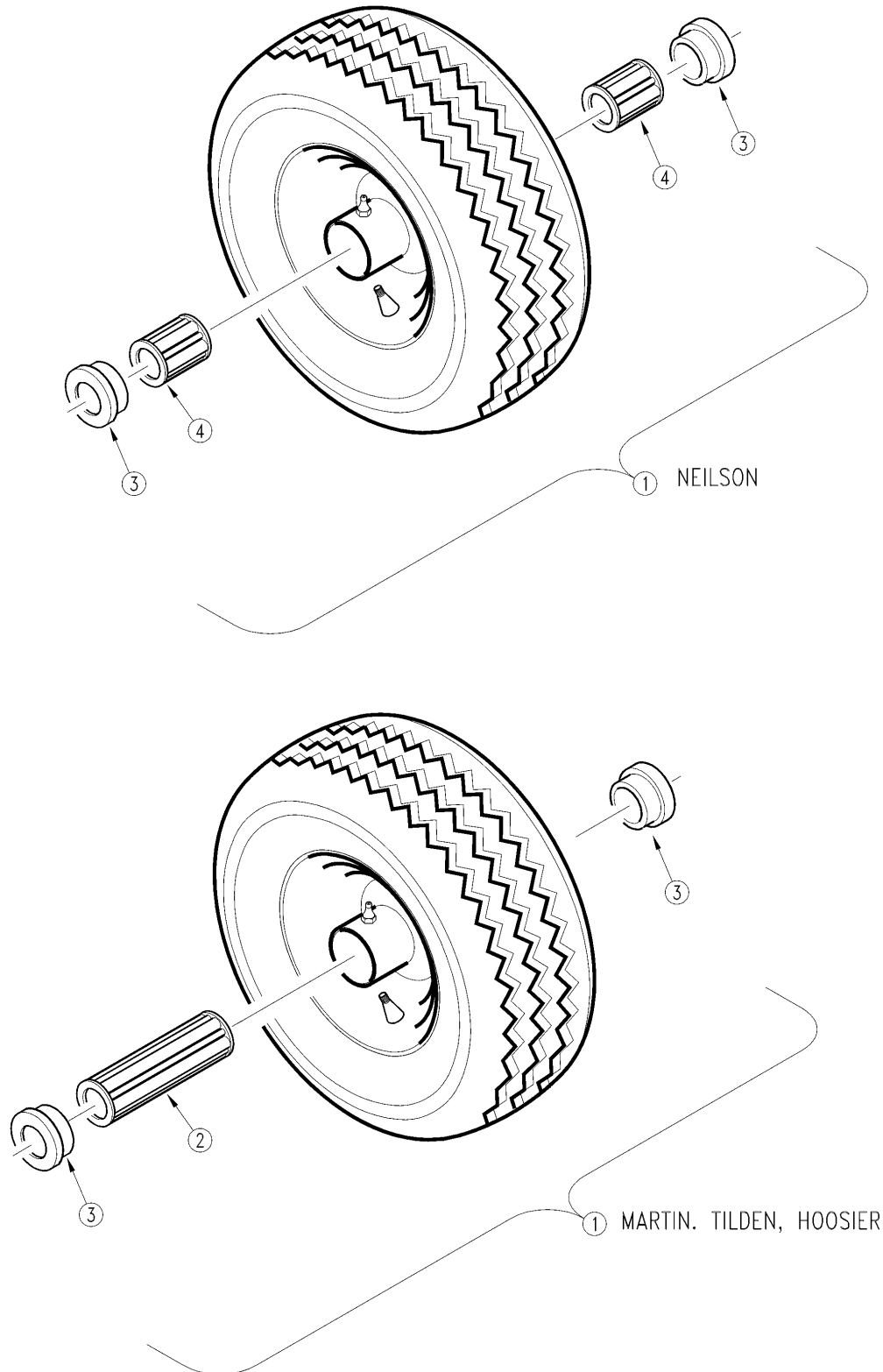
18881

Hitch**Applies to AT2660, AT2672, AT2684**

Ref	Part No.	Part Description	Comments	Revision
	dwg18881	Drawing Image Number		
1.	802-307C	HHCS 5/8-18X5 GR5		
2.	310-474D	A-FRAME		
3.	310-015D	PIVOTING HITCH - UPPER		
4.	310-583D	REAR BRACE	AT2660	
4.	310-597D	REAR BRACE	AT2672	
4.	310-475D	REAR BRACE	AT2584 (Shown)	
5.	803-263C	NUT HEX FLANGE LOCK 5/8-11		
6.	804-022C	WASHER LOCK SPRING 5/8 PLT		
7.	803-022C	NUT HEX 5/8-18 PLT		
8.	310-012D	SPACER - TOP HITCH		
9.	805-143C	PIN HAIR COTTER .120 PLT		
10.	805-142C	PIN CLEVIS 3/4 X 3 1/2 PLT		
11.	802-657C	HFS 5/8-11 X 1 3/4 GR5/8		
12.	310-321H	WLDMT. AT2660		
12.	310-329H	WLDMT. AT2672		
12.	310-290H	WLDMT. AT2584	(Shown)	
13.	805-140C	PIN CLEVIS 3/4 X 2 1/2 PLT		
14.	310-020S	LOWER HITCH PIN		
15.	310-019H	LOWER HITCH WELDMENT		
15.	310-212H	LOWER HITCH WELDMENT 16 1/8	Optional	
16.	805-015C	PIN LYNCH 5/16 X 1 3/4		
17.	800-320C	DRIVELINE HOOK HANGER W/HRDWR	(S/N 317416+)	
18.	802-005C	HHCS 1/4-20X1 GR5	(S/N _____+)	
19.	816-504C	MANUAL STORAGE CONTAINER	(S/N _____+)	
20.	804-007C	WASHER FLAT 1/4 SAE PLT	(S/N _____+)	
21.	803-255C	NUT HEX NYLOCK 1/4-20	(S/N _____+)	

Gauge Wheel (814-071C)

Applies to AT2660, AT2672



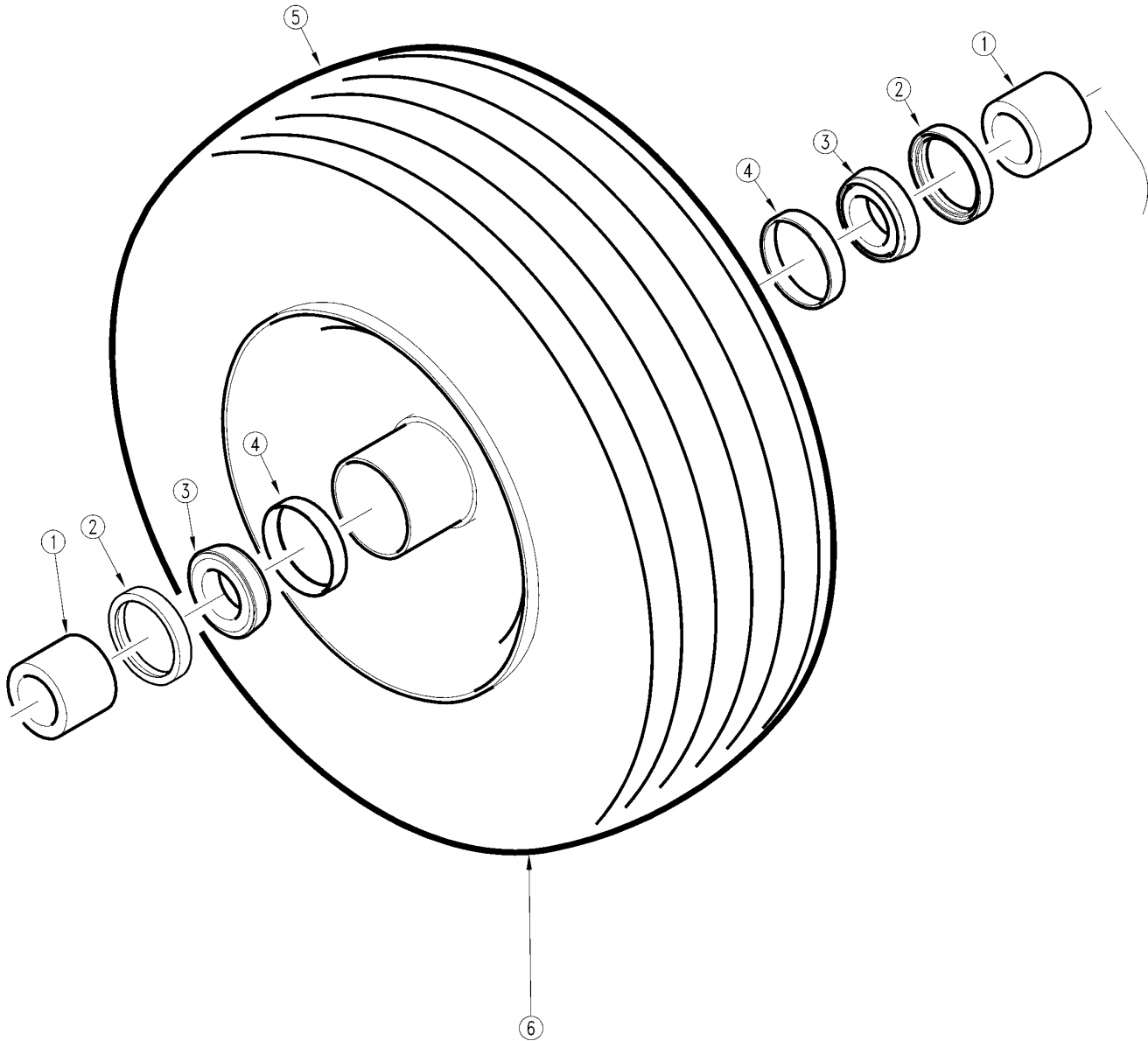
13629

Gauge Wheel (814-071C)**Applies to AT2660, AT2672**

Ref	Part No.	Part Description	Comments	Revision
	dwg13629	Drawing Image Number		
1.	814-071C	TIRE 10 X 4 TUBELESS AIR		
2.	53-182	TILDEN BRG 3/4IDX1 3/8ODX3 1/4		
2.	87413	HS 3/4ID X 2 1/2LG ROLLER BRG	Hoosier	
3.	BF-1506	RPBY 53-164		
3.	RT-3414	RPBY 53-164	Hoosier	
3.	53-164	TILDEN RTNR 3/4IDX1 3/8OD		
4.	95316	BRG NEILSON 3/4ID1.34ODX15/16L		

Gauge Wheel (814-144C) & (814-191C)

Applies to AT2684

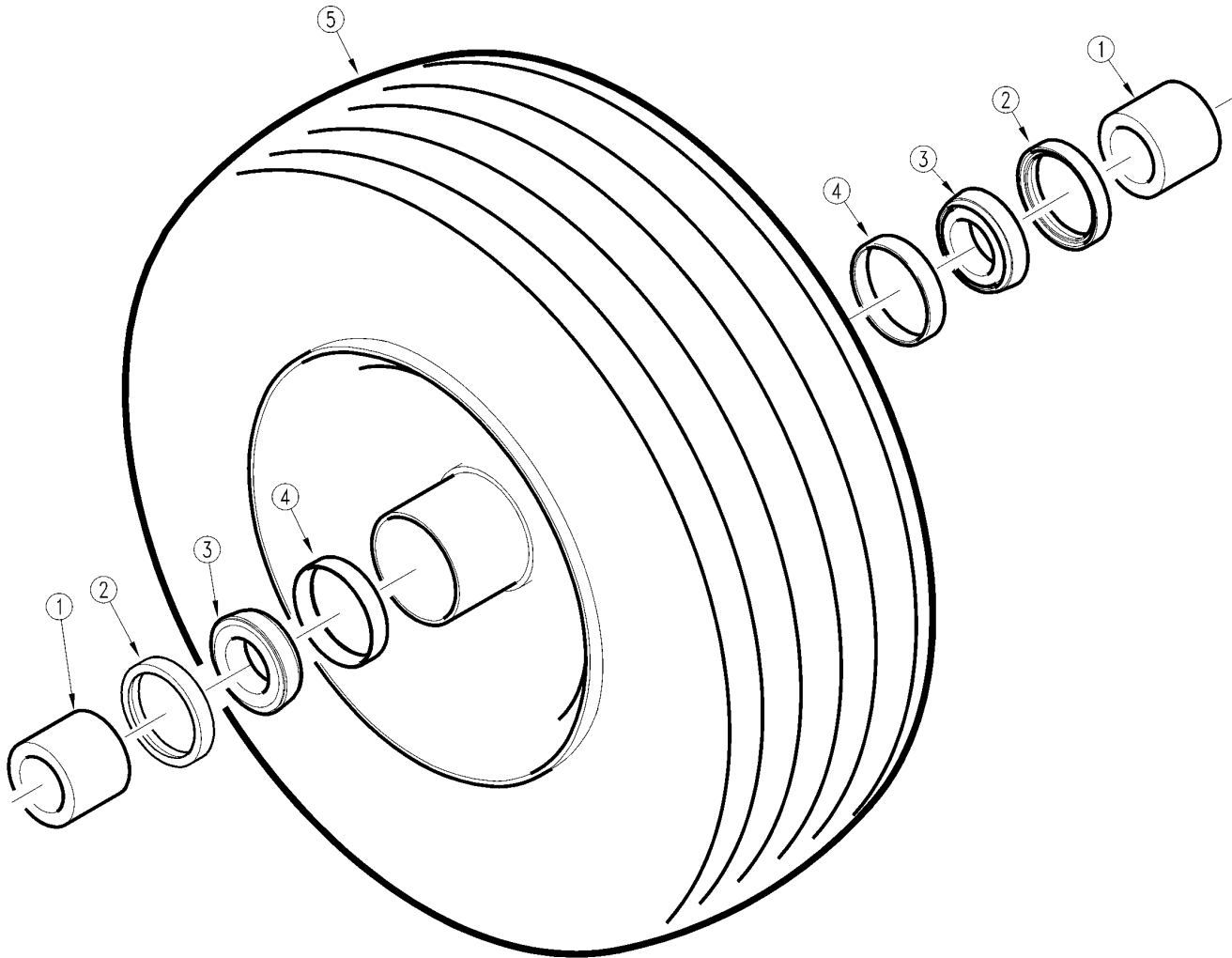


Gauge Wheel (814-144C) & (814-191C)**Applies to AT2684**

Ref	Part No.	Part Description	Comments	Revision
	dwg10499	Drawing Image Number		
1.	HSS-34	MRTN HGH SPD SPCR3/4ID 1.125OD		
2.	GS-3	MRTN GREASE SEAL 1.125(1.78OD)		
3.	822-045C	BEARING CONE #LM 11949		
4.	822-050C	BEARING CUP #LM 11910		
5.	814-144C	11 X 400-5 RIB TIRE W 3/4 BRGS	Complete Assembly	
5.	814-191C	11X400-5 (LITE FOAM) RIB TIRE	Complete Assembly	
6.	506-4R-I	TIRE MARTIN	814-144C Only	
6.	814-144C	Gauge Wheel		
6.	814-191C	Gauge Wheel		

Gauge Wheel (814-271C)

Applies to AT2684



22240

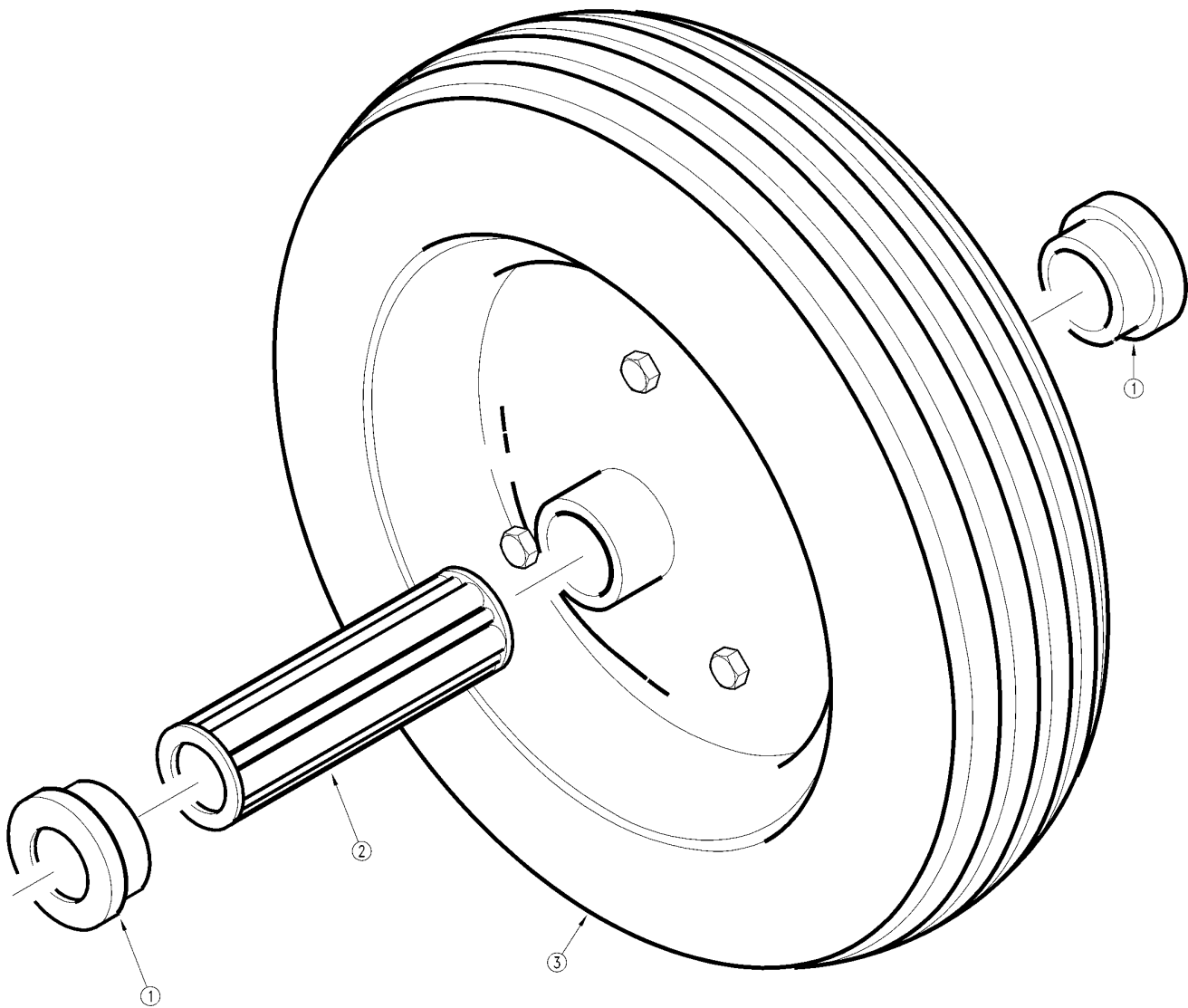
Gauge Wheel (814-271C)

Applies to AT2684

Ref	Part No.	Part Description	Comments	Revision
	dwg22240	Drawing Image Number		
1.	HSS-34	MRTN HGH SPD SPCR3/4ID 1.125OD		
2.	GS-3	MRTN GREASE SEAL 1.125(1.78OD)		
3.	822-045C	BEARING CONE #LM 11949		
4.	822-050C	BEARING CUP #LM 11910		
5.	814-271C	TIRE 11X4.00-5 RIB SEMI-SOLID	Complete Assembly	

Gauge Wheel Tire (814-188C)

Applies to AT2660, AT2672



17714

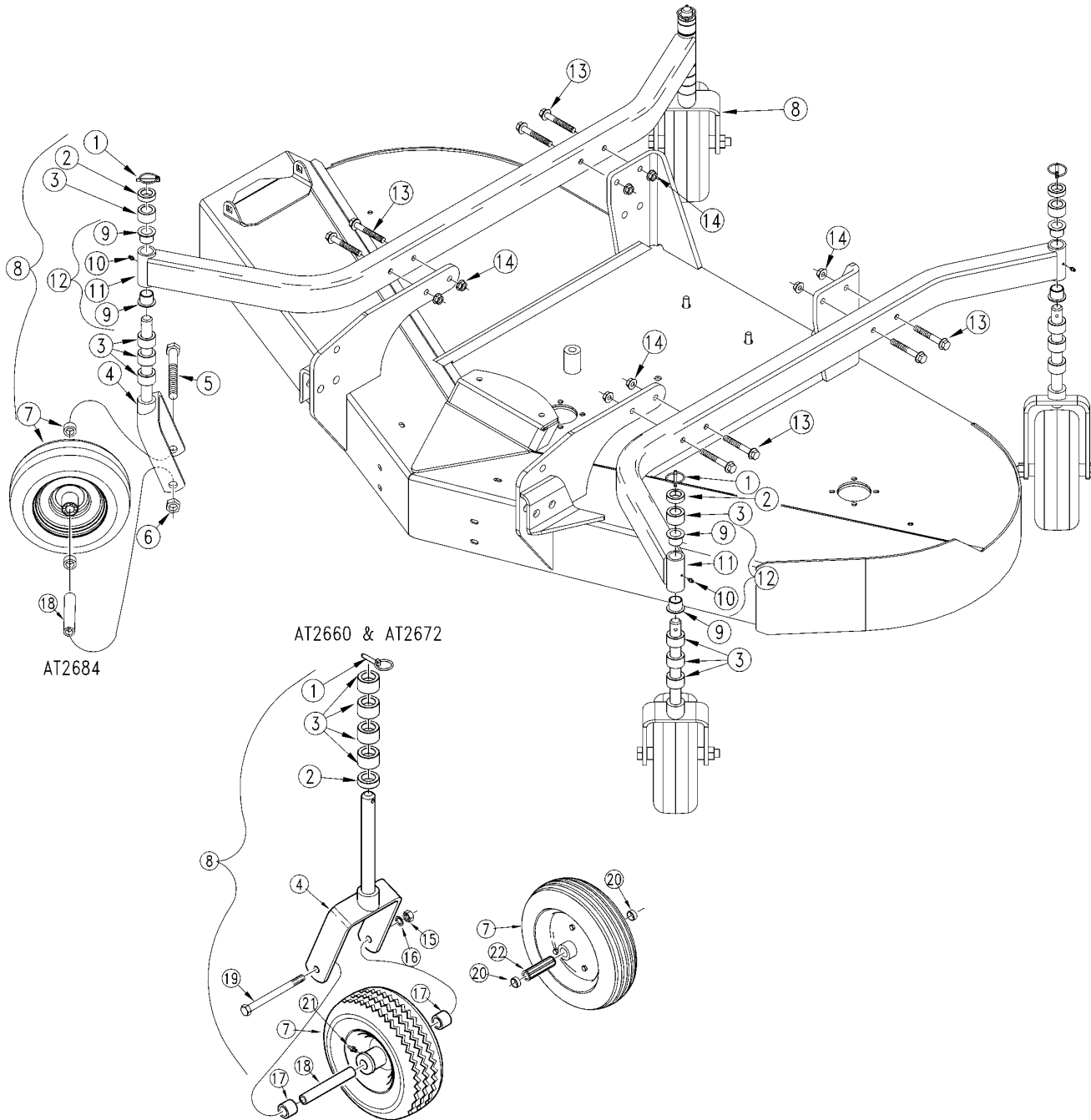
Gauge Wheel Tire (814-188C)

Applies to AT2660, AT2672

Ref	Part No.	Part Description	Comments	Revision
	dwg17714	Drawing Image Number		
1.	87040	HS BRG 3/4ID X 1.407OD X 5/8LG		
2.	87410	HS CGD RLR BRG.75IDX1.37X1.5LG		
3.	814-188C	TIRE 10X3.25 SOLID STRT RIB CR		

Gauge Wheels

Applies to AT2660, AT2672, AT2684



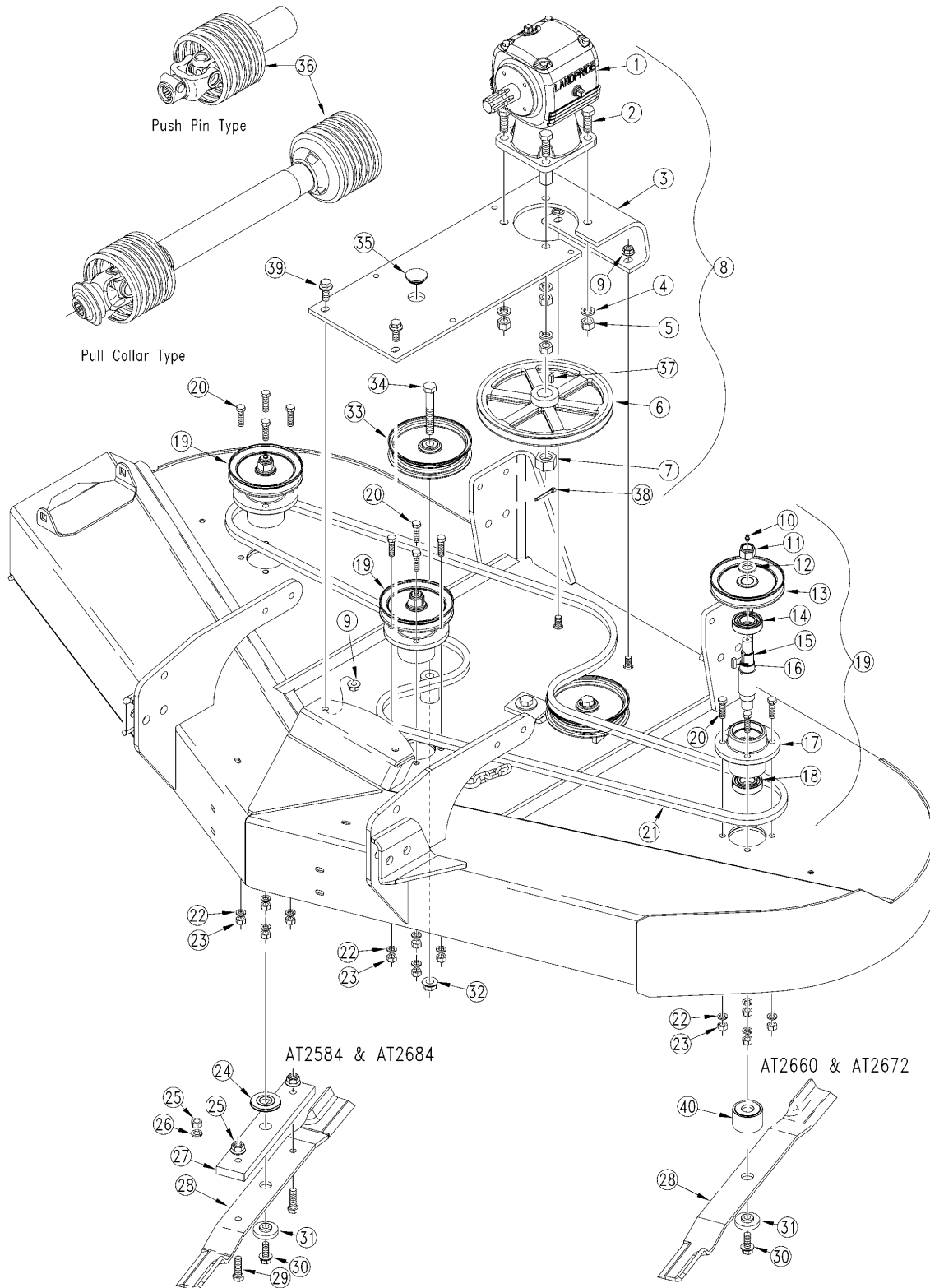
Gauge Wheels

Applies to AT2660, AT2672, AT2684

Ref	Part No.	Part Description	Comments	Revision
	dwg18884	Drawing Image Number		
1.	805-126C	PIN LYNCH 1/4 X 1 3/4 PLT		
2.	827-001C	SPACER 1/2		
3.	827-002C	SPACER 1		
4.	315-300H	11' GW YOKE 5 1/8X5 1/8 INSIDE	AT2684 (Shown)	
4.	310-149H	GAUGE WHEEL YOKE(5 1/8 INSIDE)	AT2660 & AT2672	
5.	802-095C	HHCS 3/4-10X7 GR5		
6.	803-025C	NUT HEX 3/4-10 PLT NYLOCK		
7.	814-144C	11 X 400-5 RIB TIRE W 3/4 BRGS	AT2684	
7.	814-271C	TIRE 11X4.00-5 RIB SEMI-SOLID	AT2684 S/N 467406+	Rev. 2
7.	814-191C	RPBY 814-271C	AT2684 S/N 467405-	Rev. 1
7.	814-071C	TIRE 4.10/3.50-4 TUBELESS AIR	AT2660 & AT2672	
7.	814-188C	TIRE 10X3.25 SOLID STRT RIB CR	AT2660 & AT2672	
8.	310-314S	11X4 SEMISOLID TIRE W/YOKE SUB	AT2684 S/N 467406+	
8.	315-291S	11X4.00 CASTER GW YOKE	AT2684 S/N 467405-	
8.	310-105S	4X10 AIR TIRE & YOKE ASSY	AT2660 & AT2672	
8.	310-017S	3.25X10 SOLID TIRE/YOKE ASSY	AT2660 & AT2672	
9.	817-048C	SPINDLE BUSHING		
10.	800-001C	GREASE ZERK STRAIGHT 1/4-28		
11.	310-327H	WELDMENT GAUGE WHEEL ARM	AT2660	
11.	310-355H	WELDMENT GAUGE WHEEL ARM	AT2672	
11.	310-296H	WELDMENT GAUGE WHEEL ARM	AT2684 (Shown)	
11.	310-326S	ASSY. GAUGE WHEEL ARM	AT2660	
12.	310-354S	ASSY. GAUGE WHEEL ARM	AT2672	
12.	310-295S	ASSY. GAUGE WHEEL ARM	AT2684 (Shown) Includes items 9, 10 & 11	
13.	802-658C	HFS 1/2-13 X 3 1/2 GR5/8		
14.	803-037C	NUT HEX WHIZ 1/2-13 PLT		
15.	803-308C	NUT HEX FLG/LK 1/2-20 PLT.GR	S/N 511277+	
15.	803-018C	NUT HEX 1/2-20 PLT	S/N 511276-	
16.	804-015C	WASHER LOCK SPRING 1/2 PLT	S/N 511276-	
17.	310-024D	GAUGE WHEEL SPACER - SHORT		
17.	310-329D	GAUGE WHEEL SPACER(SOLID TIRE)		
18.	310-328D	SPACER TUBE GA. WHL. 5 1/8 LG		
19.	802-350C	HHCS 1/2-20X6 1/2 GR5		
20.	890-189C	BUSHING 3/4 I.D. 1 3/8 X 1 LG		
20.	87010	HS BUSH 3/4IDX1 1/8ODX 5/8LG		
21.	800-100C	ZERK STAKED		
22.	87410	HS CGD RLR BRG.75IDX1.37X1.5LG		

Belt Drive

Applies to AT2660, AT2672, AT2684



18886

Belt Drive**Applies to AT2660, AT2672, AT2684**

Ref	Part No.	Part Description	Comments	Revision
	dwg18886	Drawing Image Number		
1.	826-326C	GBOX MOWER 50 HP 1:2.8 CW	AT2660, AT2672, AT2684 S/N 337567+	
1.	826-311C	REP BY 826-326C	AT2684 (S/N 311165 <-> 337566-)	
1.	826-296C	REP BY 826-326C	AT2684 (S/N 311164-)	
2.	802-246C	HHCS 5/8-18X1 3/4 GR5		
3.	310-414V	GEARBOX MOUNT ASSEMBLY	AT2660 S/N 499702+	
3.	310-323H	WELDMENT GEARBOX MOUNT	AT2660 S/N 499701-	
3.	310-415V	GEARBOX MOUNT ASSEMBLY	AT2672 S/N 499702+	
3.	310-330H	WELDMENT GEARBOX MOUNT	AT2672 S/N 499701-	
3.	310-413V	GEARBOX MOUNT ASSEMBLY	AT2684 S/N 499702+	
3.	310-291H	WLDMT. GEARBOX MOUNT	AT2684 S/N 499701-	
4.	804-022C	WASHER LOCK SPRING 5/8 PLT		
5.	803-022C	NUT HEX 5/8-18 PLT		
6.	808-335C	B-GROOVE PULLEY 11" CAST-IRON	(S/N 344470+) AT2560 & AT2672	Rev. 2 not compat. w/Rev. 1
6.	808-126C	B-GROOVE DRIVE PULLEY 11 O.D.	(S/N 344469-)	Rev. 1
6.	808-333C	B-GROOVE PULLEY 9" CAST-IRON	(S/N 344470+) AT2684	Rev. 2 not compat. w/Rev. 1
6.	808-076C	B-GROOVE PULLEY 9 O.D.	(S/N 344469-)	Rev. 1
7.	120050	OMNI NUT HEX SLOTTED, 1-14UNC		
8.	310-322S	ASSY. GEARBOX MOUNT	AT2660	
8.	310-331S	ASSY. GEARBOX MOUNT	AT2672	
8.	310-292S	ASSY. GEARBOX MOUNT	AT2684	
9.	803-037C	NUT HEX WHIZ 1/2-13 PLT		
10.	800-001C	GREASE ZERK STRAIGHT 1/4-28		
11.	803-114C	NUT LOCK 3/4-16 NYLOC COLLAR		
12.	804-093C	WASHER FLAT 3/4 HARD ASTM F436		
13.	808-075C	B-GROOVE PULLEY 5 O.D.	AT2660	
13.	808-127C	B-GROOVE DRIVE PULLEY 6 O.D.	AT2672 & AT2684	
14.	822-161C	BEARING 6206 W/ METAL SHIELD		
15.	310-630D	BLADE SPINDLE SHAFT CW TG	AT2660, AT2672 & AT2684 S/N 329661+	
15.	310-454D	BLADE SPINDLE SHAFT CW	AT2684 S/N 329660-	
16.	172-242D	1/4 SQ. KEY X 7/8 LG		
17.	310-457D	BLADE HUB MACHINED TOP GREASE		
18.	822-006C	BEARING 206		
19.	310-248S	CW TG SPINDLE HUB ASSY 5" PULL	AT2660	
19.	310-249S	CW TG SPINDLE HUB ASSY 6" PULL	AT2672	
19.	310-261S	CW TG SPINDLE HUB ASSY 6" PULL	AT2684	
20.	802-229C	HHCS 7/16-20X1 1/2 GR8		
21.	816-308C	V-BELT B103 106 E.L. KEVLAR	AT2660	
21.	816-116C	V-BELT B136 138.9 E.L. KEVLAR	AT2672	
21.	816-338C	V-BELT B150 153 E.L. KEVLAR	AT2684	
22.	804-014C	WASHER LOCK 7/16 PLT		
23.	803-115C	NUT HEX 7/16-20 PLT		
24.	310-227D	BLADE WASHER-90		
25.	803-308C	NUT HEX FLG. LOCK 1/2-20 PLT.	(S/N 319784+)	Rev. 2
25.	803-018C	NUT HEX 1/2-20 PLT	(S/N 319783-)	Rev 1; Use up stock
26.	804-015C	WASHER LOCK SPRING 1/2 PLT	(S/N 319783-)	
27.	315-823D	BLADE BAR RH. THRD 10.50 CTR.	AT2684	
28.	890-171C	MWR BLD 1/4 X 20 29/32SD HL CW	Standard high lift AT2660	
28.	890-375C	MWR BLD 1/4 X 20 29/32SD ML CW	Optional medium lift AT2660	
28.	890-204C	MWR BLD 5/16X20 29/32SD LL CW	Optional low lift AT2660	
28.	890-702C	MWR BLD MULCH 1/4X20.91SD CW	Optional mulch AT2660	
28.	890-172C	MWR BLD 1/4 X 25SD HL CW	Standard high lift AT2672	
28.	890-318C	MWR BLD 1/4 X 25SD ML CW	Optional medium lift AT2672	
28.	890-200C	MWR BLD 5/16 X 25SD LL CW	Optional low lift AT2672	
28.	890-698C	MWR BLD MULCH 1/4X25SD CW	Optional mulch AT2672	
28.	890-684C	MWR BLD 5/16 X 29 SD HL CW	Optional high lift AT2684	

Belt Drive (continued)

Applies to AT2660, AT2672, AT2684

Ref	Part No.	Part Description	Comments	Revision
28.	890-675C	MWR BLD 5/16 X 29 SD ML CW	Standard medium lift AT2684 (Shown)	
28.	890-685C	MWR BLD 5/16 X 29 SD LL CW	Optional low lift AT2684	
28.	890-706C	MWR BLD MULCH 1/4X29SD CW	Optional mulch AT2684	
29.	802-329C	HHCS 1/2-20X1 3/4 GR5		
30.	802-695C	HFS 1/2-20X2 GR8	(S/N 329661+)	Rev. 2 not compat. w/Rev. 1
30.	802-384C	HFS 1/2-20X1 1/4 GR5	(S/N 329660-)	Rev. 1
31.	804-110C	WASHER BLADE 2ODX.56THKX.51ID		
32.	803-263C	NUT HEX FLANGE LOCK 5/8-11		
33.	808-129C	FLAT IDLER PULLEY 6 3/4 O.D.		
34.	802-151C	HHCS 5/8-11X4 1/4 GR5		
35.	816-298C	RUBBER PLUG 1 3/8 W/CROSS SLIT		
36.	826-297C	DRIVELINE CAT.2 W/EXT. CONE	AT2672 & AT2684	
36.	826-064C	DRIVELINE CAT.4 SC 540RPM		
36.	826-012C	REP BY 826-064C	AT2600	
37.	310-331D	KEY 1/4 X 11/16 LONG		
38.	100001	OMNI COTTER PIN 5 X 50		
39.	802-203C	HFSS 1/2-13X1 1/2 GR5		
40.	310-300D	BLADE HUB - 7/8 (PLATED)	AT2660 & AT2672	

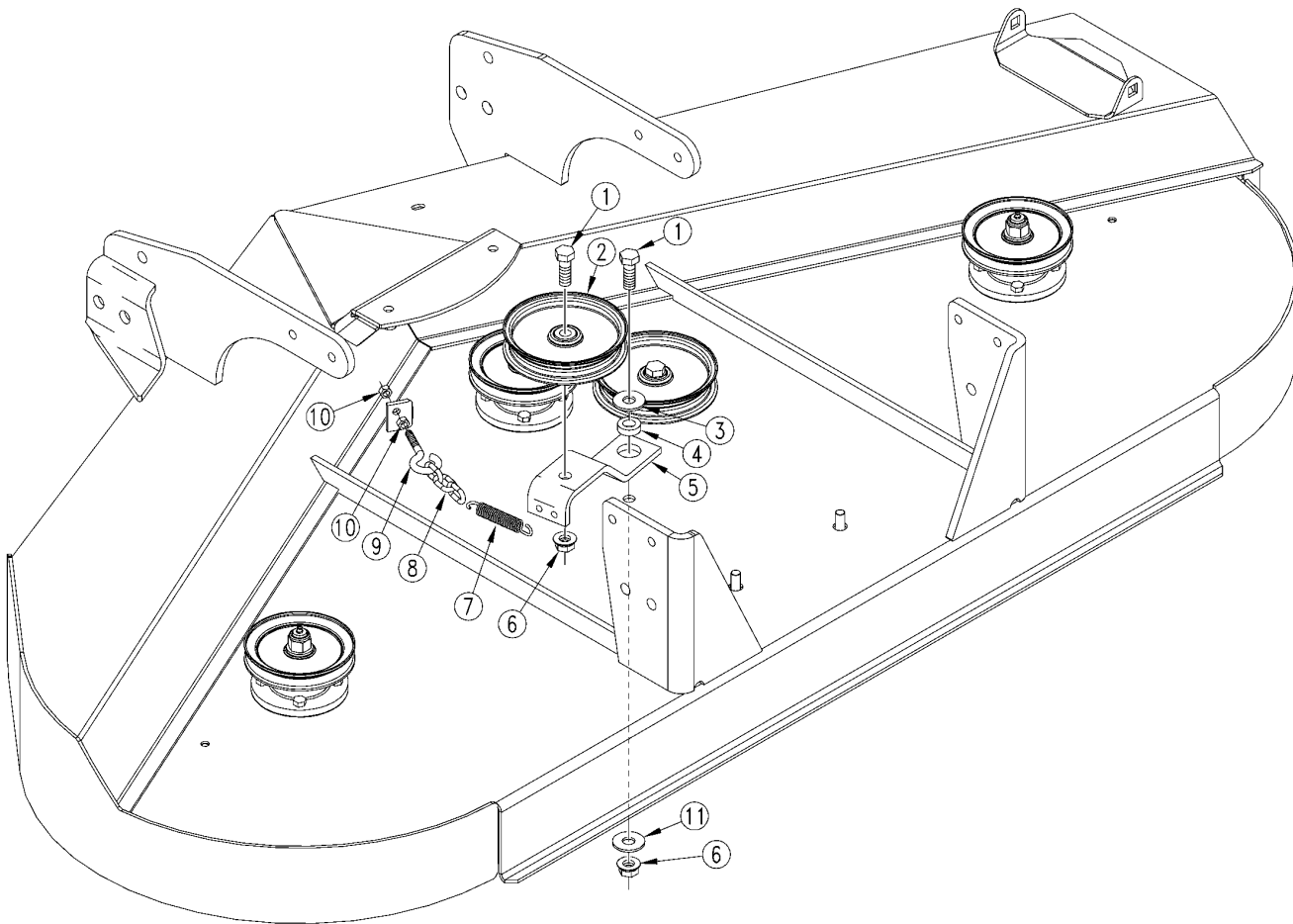
Belt Drive (continued)

Applies to AT2660, AT2672, AT2684

This Page Intentionally Left Blank

Belt Take-Up

Applies to AT2660, AT2672, AT2684



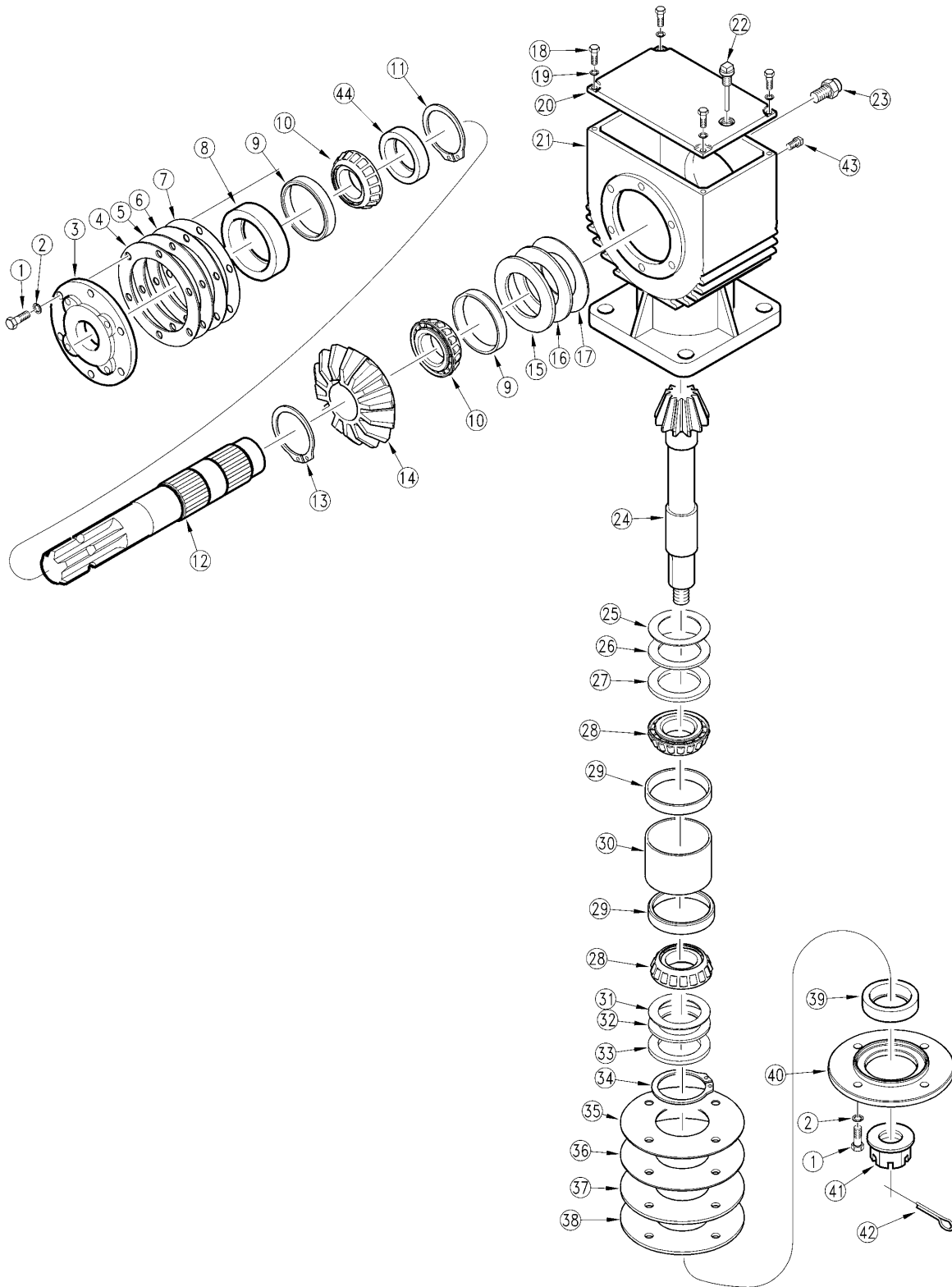
18885

Belt Take-Up**Applies to AT2660, AT2672, AT2684**

Ref	Part No.	Part Description	Comments	Revision
	dwg18885	Drawing Image Number		
1.	802-657C	HFS 5/8-11 X 1 3/4 GR5/8		
2.	808-129C	FLAT IDLER PULLEY 6 3/4 O.D.		
3.	804-019C	WASHER FLAT 5/8 USS PLT		
4.	310-494D	SPACER BUSHING		
5.	310-493D	SPRING IDLER BRACKET		
6.	803-263C	NUT HEX FLANGE LOCK 5/8-11		
7.	807-068C	SPRING EXT BELT HANDLE		
8.	890-641C	CHAIN WELD 1/4 PROOF X 3 LINK		
9.	802-668C	EYE BOLT OPEN 3/8-16X3 1/2		
10.	803-014C	NUT HEX 3/8-16 PLT		
11.	804-021C	WASHER FLAT 5/8 SAE PLT		

Gearbox (826-296C) OMNI

Applies to AT2684



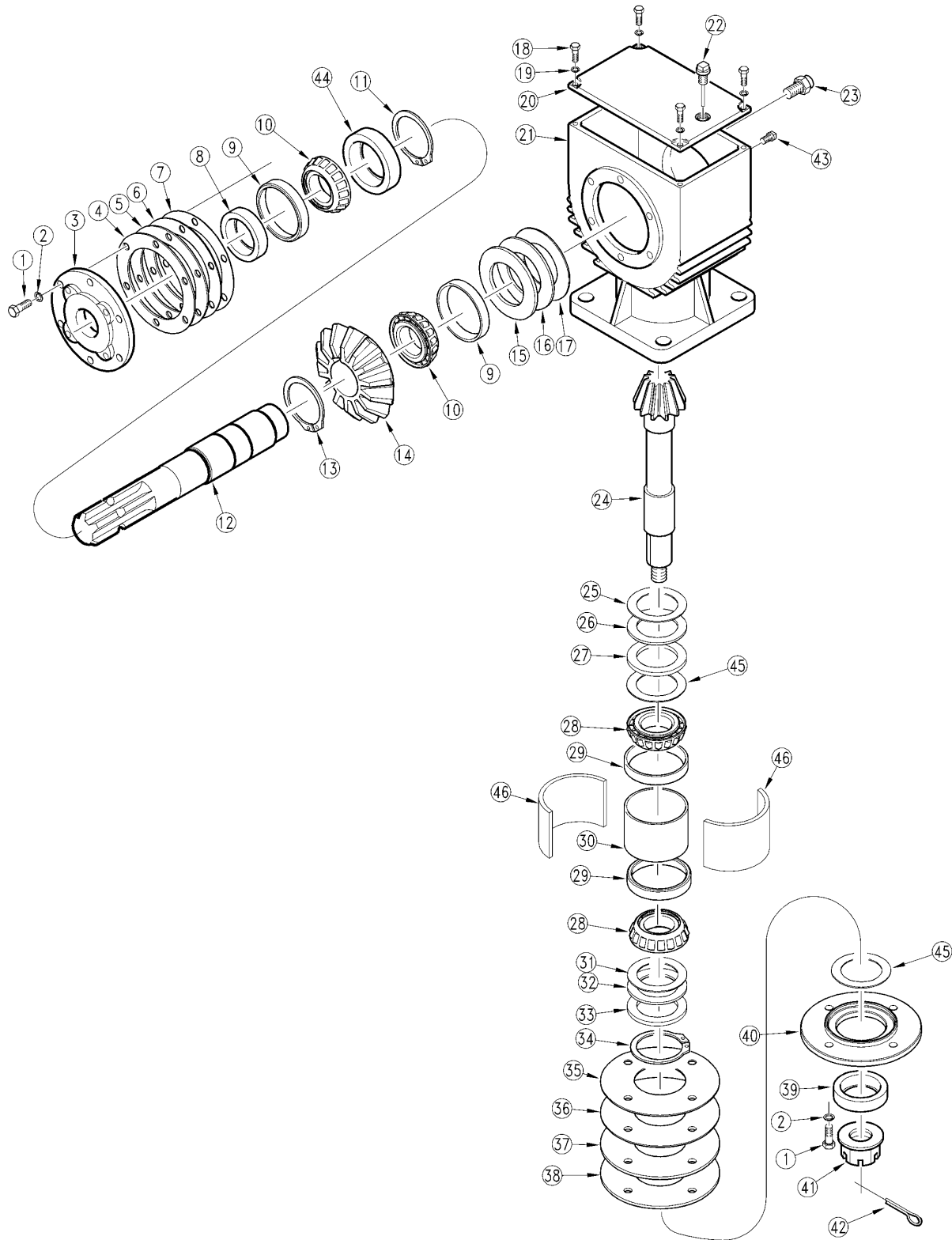
18948

Gearbox (826-296C) OMNI**Applies to AT2684**

Ref	Part No.	Part Description	Comments	Revision
	dwg18948	Drawing Image Number		
	826-296C	RC-25 1:2.8 CW 90 BOX(RC25HR)		
1.	110192	OMNI SCREW-5/16"-18UNC X 7/8"		
2.	130006	OMNI LOCKWASHR 5/16"SPLIT TYPE		
3.	020224	OMNI CAP-INPUT		
4.	070249	OMNI GASKET-INPUT 0.50MM		
5.	070248	OMNI GASKET-INPUT 0.30MM		
6.	070247	OMNI GASKET-INPUT 0.20MM		
7.	070246	OMNI GASKET-INPUT 0.10MM		
8.	060127	OMNI SEAL-INPUT CR13930		
9.	050170	OMNI BEARING CUP 30207		
10.	050172	OMNI BEARING CONE 30207		
11.	200140	OMNI RTNG. RING 38MM RC DSH-38		
12.	040491	OMNI SHAFT-INPUT 1-3/8"-6 SPLN		
13.	200141	OMNI RTNG. RING 38MM RC DSH-38		
14.	030457	OMNI GEAR INPUT, 34T		
15.	090181	OMNI SHIM INPUT 0.30MM		
16.	090180	OMNI SHIM INPUT 0.20MM		
17.	090179	OMNI SHIM INPUT 0.10MM		
18.	110009	OMNI SCREW-1/4"-20 UNC X 3/4"		
19.	130028	OMNI LOCKWASHR 1/4" SPLIT TYPE		
20.	240280	OMNI INSPECTION COVER		
21.	010252	OMNI HOUSING-RC-25		
22.	140047	OMNI PLUG SQ.HD.1/2-14NPT W/DP		
23.	140000	OMNI PIPE PLUG 1/2' SQ HEAD		
24.	030456	OMNI PINION-OUTPUT 12T		
25.	090182	OMNI SHIM OUTPUT 0.10MM		
26.	090183	OMNI SHIM OUTPUT 0.20MM		
27.	090184	OMNI SHIM OUTPUT 0.30MM		
28.	050197	OMNI BEARING CONE 30208		
29.	050195	OMNI BEARING CUP 30208		
30.	090185	OMNI SPACER OUTPUT		
31.	090186	OMNI SHIM OUTPUT 0.10MM		
32.	090187	OMNI SHIM OUTPUT 0.20MM		
33.	090188	OMNI SHIM OUTPUT 0.30MM		
34.	200000	OMNI RETAINING RING		
35.	070250	OMNI GASKET-OUTPUT 0.10MM		
36.	070251	OMNI GASKET-OUTPUT 0.20MM		
37.	070252	OMNI GASKET-OUTPUT 0.30MM		
38.	070253	OMNI GASKET-OUTPUT 0.50MM		
39.	060128	OMNI SEAL-OUTPUT CR15822		
40.	020225	OMNI CAP-OUTPUT		
41.	120050	OMNI NUT HEX SLOTTED, 1-14UNC		
42.	100001	OMNI COTTER PIN 5 X 50		
43.	140017	OMNI PLUG PIPE SQ HD1/8-27NPTF		
44.	090341	OMNI SPACER, INPUT		

Gearbox (826-311C) AT2684) OMNI

Applies to AT2684



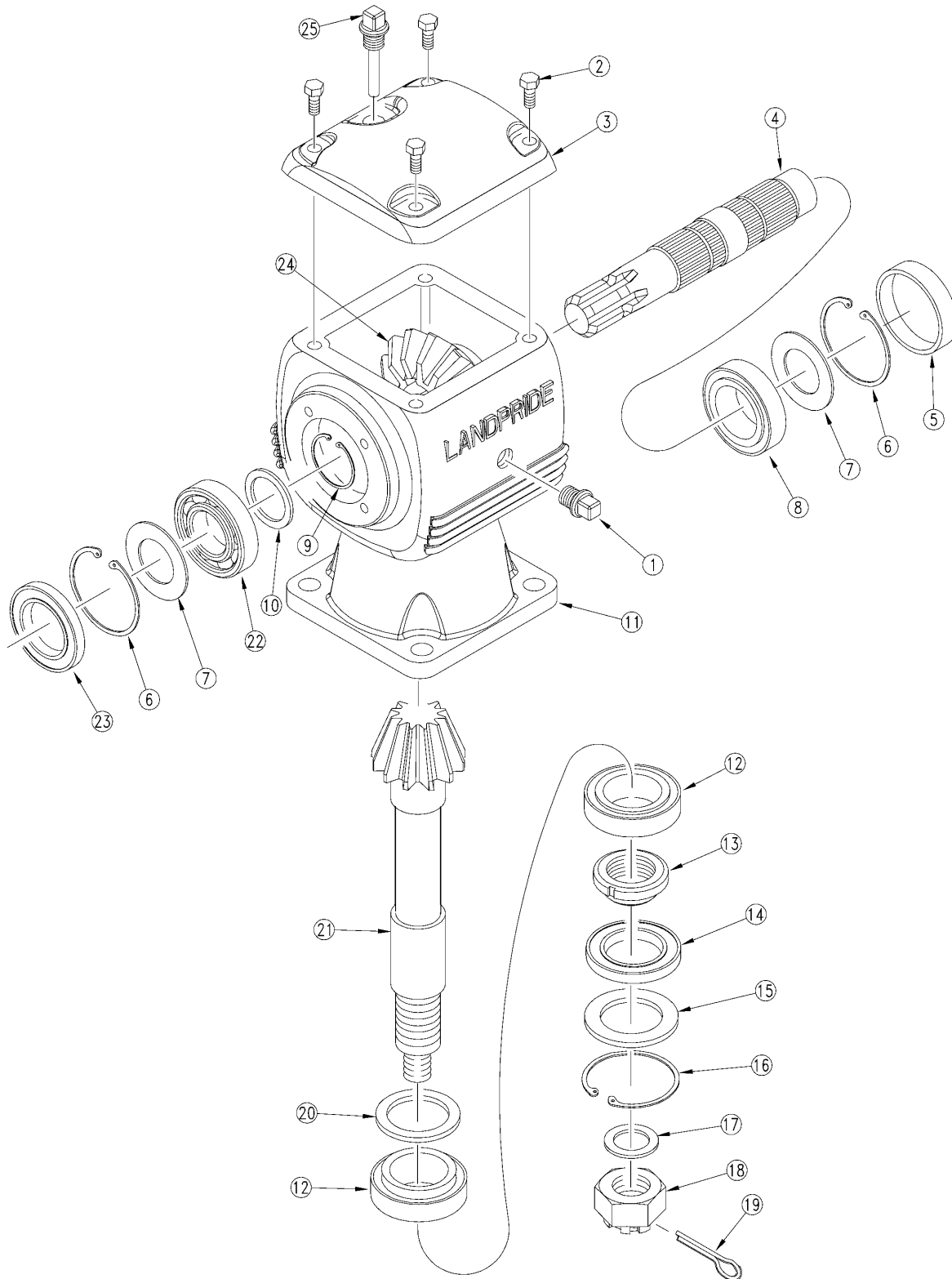
19602

Gearbox (826-311C) AT2684) OMNI**Applies to AT2684**

Ref	Part No.	Part Description	Comments	Revision
	dwg19602	Drawing Image Number		
	826-311C	RC-25 1:2.8 CW 90 BOX(RC25HR)		
1.	110192	OMNI SCREW-5/16"-18UNC X 7/8"		
2.	130006	OMNI LOCKWASHR 5/16"SPLIT TYPE		
3.	020224	OMNI CAP-INPUT		
4.	070249	OMNI GASKET-INPUT 0.50MM		
5.	070248	OMNI GASKET-INPUT 0.30MM		
6.	070247	OMNI GASKET-INPUT 0.20MM		
7.	070246	OMNI GASKET-INPUT 0.10MM		
8.	060127	OMNI SEAL-INPUT CR13930		
9.	050170	OMNI BEARING CUP 30207		
10.	050172	OMNI BEARING CONE 30207		
11.	200140	OMNI RTNG. RING 38MM RC DSH-38		
12.	040491	OMNI SHAFT INPUT 1 3/8" - 6A		
13.	200141	OMNI RTNG. RING 38MM RC DSH-38		
14.	030457	OMNI GEAR INPUT, 34T		
15.	090181	OMNI SHIM INPUT 0.30MM		
16.	090180	OMNI SHIM INPUT 0.20MM		
17.	090179	OMNI SHIM INPUT 0.10MM		
18.	110009	OMNI SCREW-1/4"-20 UNC X 3/4"		
19.	130028	OMNI LOCKWASHR 1/4" SPLIT TYPE		
20.	240280	OMNI INSPECTION COVER		
21.	010252	OMNI HOUSING RC-25 SERIES		
22.	140047	OMNI PLUG SQ.HD.1/2-14NPT W/DP		
23.	140000	OMNI PIPE PLUG 1/2' SQ HEAD		
24.	030456	OMNI PINION-OUTPUT 12T		
25.	090182	OMNI SHIM OUTPUT 0.10MM		
26.	090183	OMNI SHIM OUTPUT 0.20MM		
27.	090184	OMNI SHIM OUTPUT 0.30MM		
28.	050197	OMNI BEARING CONE 30208		
29.	050195	OMNI BEARING CUP 30208		
30.	310-580D	OMNI OUTPUT SPACER 27mm		
31.	090186	OMNI SHIM OUTPUT 0.10MM		
32.	090187	OMNI SHIM OUTPUT 0.20MM		
33.	090188	OMNI SHIM OUTPUT 0.30MM		
34.	200000	OMNI RETAINING RING		
35.	070250	OMNI GASKET-OUTPUT 0.10MM		
36.	070251	OMNI GASKET-OUTPUT 0.20MM		
37.	070252	OMNI GASKET-OUTPUT 0.30MM		
38.	070253	OMNI GASKET-OUTPUT 0.50MM		
39.	060128	OMNI SEAL-OUTPUT CR15822		
40.	020225	OMNI CAP-OUTPUT		
41.	120050	OMNI NUT HEX SLOTTED, 1-14UNC		
42.	100001	OMNI COTTER PIN 5 X 50		
43.	140017	OMNI PLUG PIPE SQ HD1/8-27NPTF		
44.	090341	OMNI SPACER, INPUT		
45.	310-581D	OMNI OUTPUT SHAFT SHIM 2mm		
46.	310-582D	OMNI HOUSING TAKE-UP SPACER		

Gearbox (826-326C) Comer AT2660, AT2672 & AT2684

Applies to AT2660, AT2672, AT2684



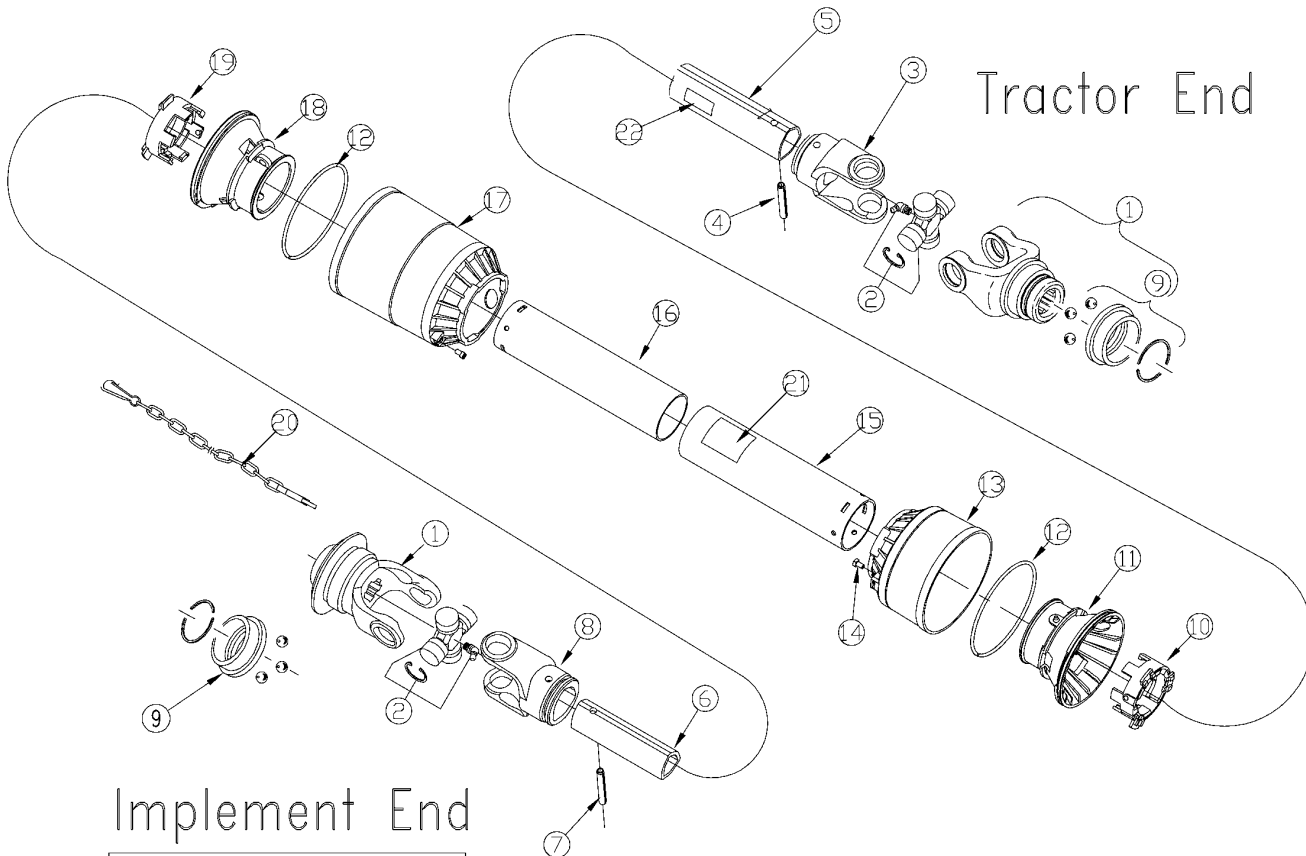
19549

Gearbox (826-326C) Comer AT2660, AT2672 & AT2684**Applies to AT2660, AT2672, AT2684**

Ref	Part No.	Part Description	Comments	Revision
	dwg19549	Drawing Image Number		
	826-326C	GBOX MOWER 50 HP 1:2.8 CW		
1.	8.6.5.00006	CO OIL PLUG 3/8		
2.	8.1.1.00501	CO BOLT M8X22 HHB		
3.	0.195.1300.00	CO COVER		
4.	0.195.2000.00	CO INPUT SHAFT 1" 3/8 Z6		
5.	8.7.0.00744	CO CAP 72 X 10		
6.	8.5.2.00131	CO SNAP RING INT 72 UN17437		
7.	A.248.500	COMER SHIM KIT 71.7		
8.	8.0.9.00026	CO ROLLER BEARING 30207 CL-B		
9.	8.5.1.00680	CO SNAP RING 40 UNI 7436		
10.	0.259.7525.00	CO SHIM 35.3 X 48 X 2.5		
11.	0.195.0300.00	CO HOUSING		
12.	8.0.9.00102	CO ROLLER BEARING 32208 CL-B		
13.	0.278.7103.00	CO NUT M40 X 1.5		
14.	8.7.3.00081	CO OIL SEAL 35 X 80 X 10 RTA35		
15.	1.195.7100.00	CO PROTECTIVE FLAT WASHER		
16.	8.5.3.00955	CO SNAP RING SB 81		
17.	8.3.2.00409	CO FLAT WASHER 25 X 44 X 4		
18.	8.2.2.01144	NUT CASTLE M 24 X 2		
19.	8.4.7.00516	CO COTTER PIN B5 X 50		
20.	A244.501	CO SHIM 40.3 X 51.5 826-067C		
21.	0.195.5000.00	CO PINION Z12 M4.7		
22.	822-166C	BEARING BALL 6207		
23.	8.7.3.00055	CO OIL SEAL 35 X 72 X 10		
24.	0.195.6000.00	CO CROWN GEAR Z33 M4.7		
25.	U0.195.7101.00	CO OIL LEVEL PLUG 3/8" GAS		

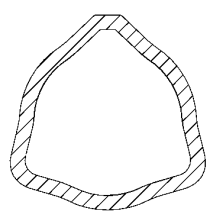
Driveline (826-064C) Eurocardan

Applies to AT2660



Implement End

Refer to deck or drive section for S/N break if applicable.



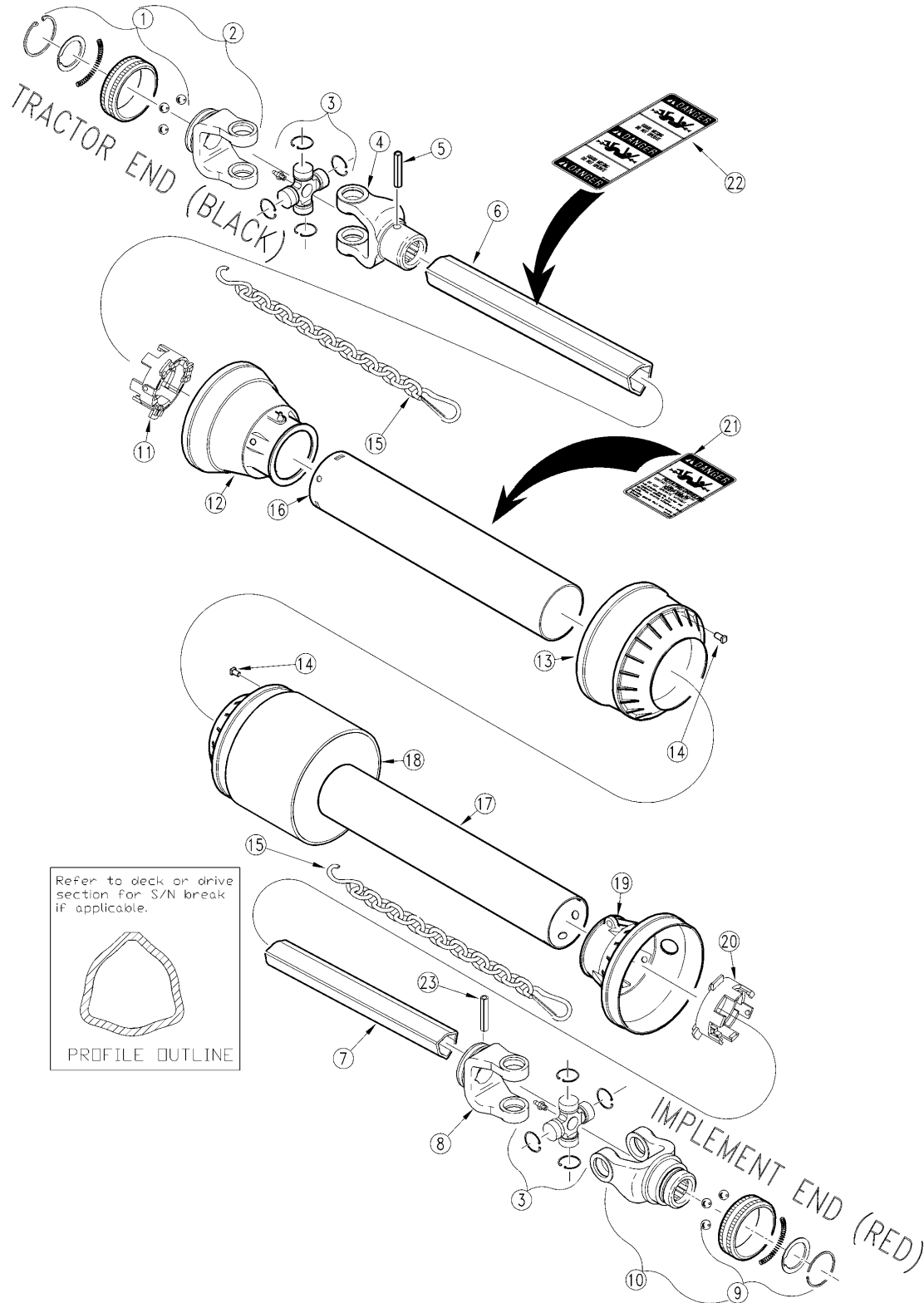
PROFILE OUTLINE

Driveline (826-064C) Eurocardan**Applies to AT2660**

Ref	Part No.	Part Description	Comments	Revision
	dwg2224	Drawing Image Number		
	826-064C	DRIVELINE CAT.4 SC 540RPM		
1.	1014012	EC YOKE ASSEMBLY		
2.	1004020	EC CROSS ASSEMBLY (U JOINT)		
3.	1704027	EC OUTER TUBE YOKE		
4.	6330860	EC 08X60 1485DIN ROLL PIN		
5.	1524072	EC OUTER TUBE (1524095) 720MM		
6.	1525072	EC INNER TUBE (1525095) 720MM		
7.	6330855	EC 8X55-DIN-1481 O/TUBE R/PIN		
8.	1704029	EC INNER TUBE YOKE		
9.	1004225	EC PULL COLLAR KIT		
10.	1784210	EC TUBE BEARING		
11.	1884201	EC OUTER TUBE RIGID CONE		
12.	1213233	EC STIFFENING RING		
13.	1884203	EC SOFT CONE		
14.	1784212	EC PIN STOP ROTATION		
15.	1873064	EC OUTER TUBE (1873087) 640MM		
16.	1872064	EC INNER TUBE (1872087) 640MM		
17.	1884205	EC SOFT LONG CONE		
18.	1884202	EC INNER TUBE RIGID CONE		
19.	1784211	EC TUBE BEARING		
20.	044321	DRIVELINE SHIELD SAFETY CHAIN		
20.	1006065	REP BY 044321		
21.	818-552C	DECAL DANGER PTO DRIVELINE		
21.	1140001	REP BY 818-552C		
22.	818-540C	DECAL DANGER GUARD MISS PTO		
22.	1140003	REP BY 818-540C		

Driveline (826-297C) EC (S/N 246675 to 426011)

Applies to AT2660, AT2672, AT2684



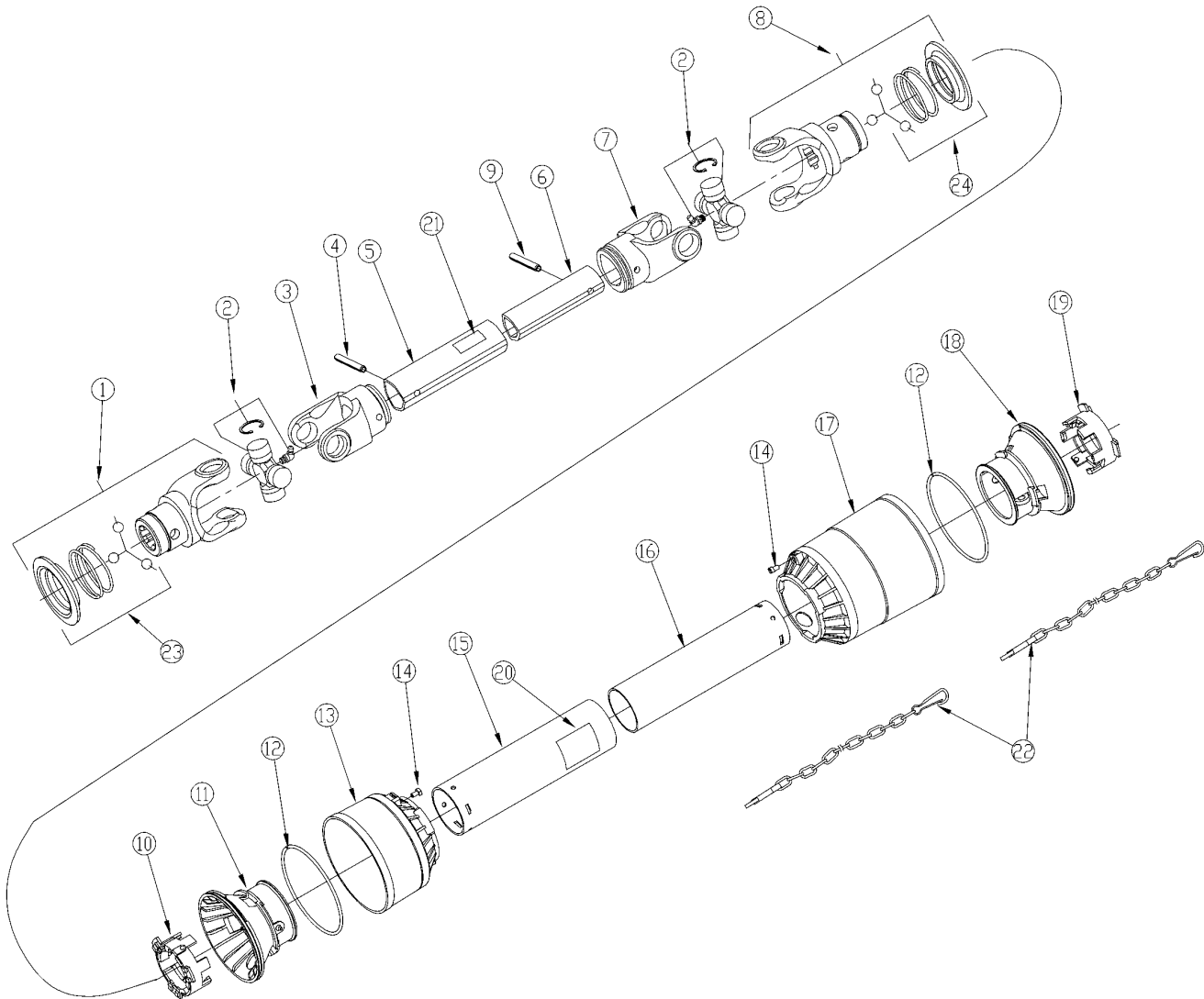
26647

Driveline (826-297C) EC (S/N 246675 to 426011)**Applies to AT2660, AT2672, AT2684**

Ref	Part No.	Part Description	Comments	Revision
	dwg26647 826-297C	Drawing Image Number DRIVELINE W/ EXT. CONE *		
1.	1004220	EC TWIST COLLAR KIT (TRT. END)		
2.	1013010	RPBY 1014013		
3.	1003020	EC CROSS ASSEMBLY		
4.	1703027	EC OUTER TUBE YOKE		
5.	6330860	EC 08X60 1485DIN ROLL PIN		
6.	1524085	EC OUTER TUBE (1524095) 850MM		
7.	1523085	EC 850MM INNER STOCK LENGTH TB		
8.	1703029	EC INNER TUBE YOKE		
9.	1004224	EC TWIST COLLAR KIT (IMP. END)		
10.	1113010	EC YOKE ASSEMBLY (IMP. END)		
11.	1784210	EC TUBE BRG		
12.	1884201	EC OUTER TUBE RIGID CONE		
13.	1884203	EC SOFT CONE		
14.	1784212	EC PIN STOP ROTATION		
15.	44321	DRIVELINE SHIELD SAFETY CHAIN		
16.	1873077	EC OUTER TUBE (1873087) 770MM		
17.	1872077	EC INNER TUBE (1872087) 770MM		
18.	1884205	EC SOFT LONG CONE		
19.	1884202	EC INNER TUBE RIGID CONE		
20.	1784211	EC TUBE BRG		
21.	818-552C	DECAL DANGER PTO DRIVELINE		
22.	818-540C	DECAL DANGER GUARD MISS PTO		
23.	6330855	EC 8X55-DIN-1481 O/TUBE R/PIN		

Driveline (826-297C) EC (S/N 426012+)

Applies to AT2660, AT2672, AT2684



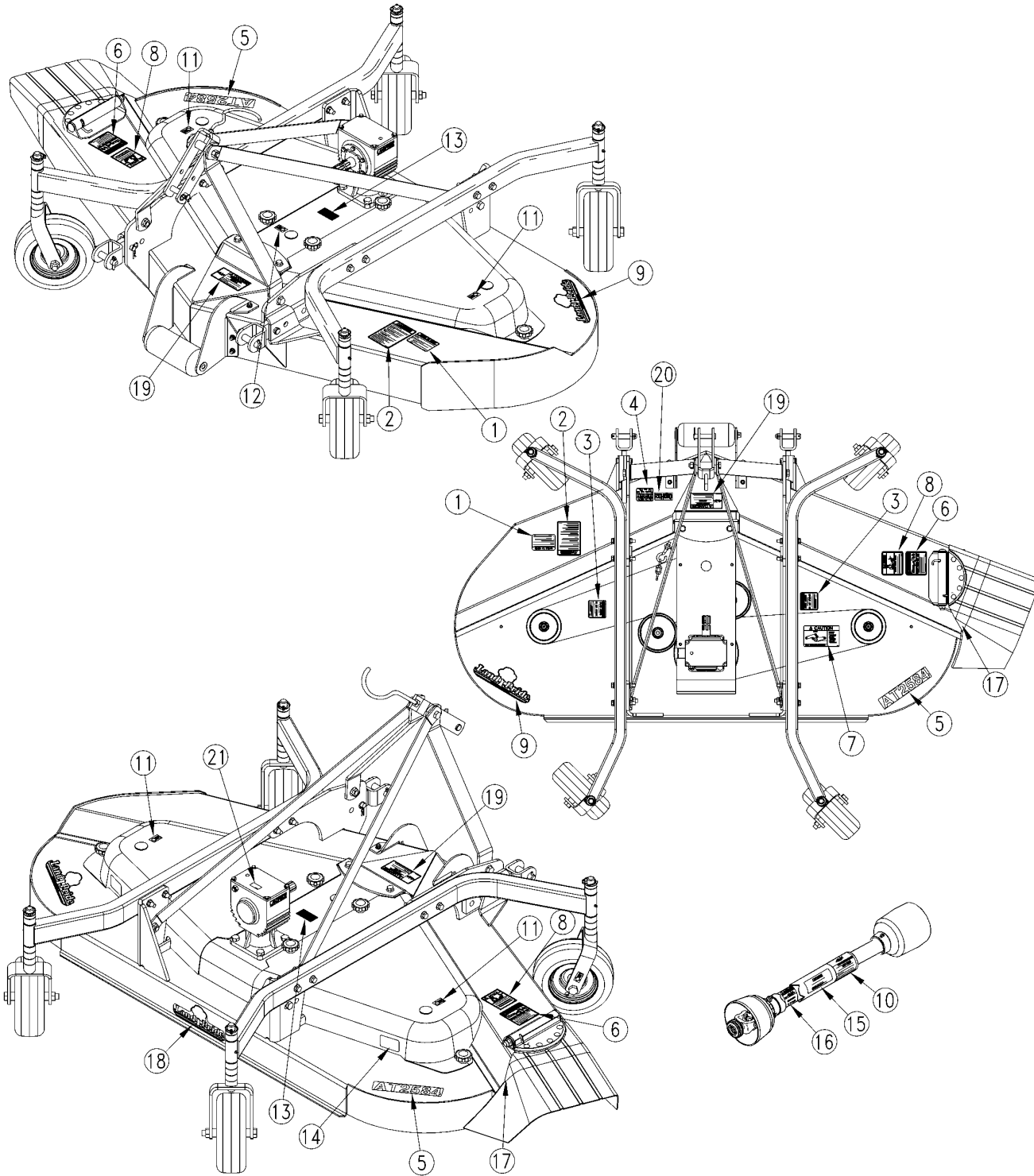
26648

Driveline (826-297C) EC (S/N 426012+)**Applies to AT2660, AT2672, AT2684**

Ref	Part No.	Part Description	Comments	Revision
	dwg26648 826-297C	Drawing Image Number DRIVELINE CAT.2 W/EXT. CONE *		
1.	1014013	EC YOKE ASSY (TRACTOR END)		
2.	1004020	EC CROSS ASSEMBLY (U JOINT)		
3.	1704027	EC OUTER TUBE YOKE		
4.	6330860	EC 08X60 1485DIN ROLL PIN		
5.	1524084	EC OUTER TUBE (1524095) 840MM		
6.	1525084	EC INNER TUBE (1525095) 840MM		
7.	1704029	EC INNER TUBE YOKE		
8.	1014013	EC YOKE ASSY (TRACTOR END)		
9.	6330855	EC 8X55-DIN-1481 O/TUBE R/PIN		
10.	1784210	EC TUBE BRG		
11.	1884201	EC OUTER TUBE RIGID CONE		
12.	1213233	EC STIFFENING RING		
13.	1884203	EC SOFT CONE		
14.	1784212	EC PIN STOP ROTATION		
15.	1873027	EC OUTER TUBE (1873050) 270MM		
16.	1872027	EC INNER TUBE (1872050) 270MM		
17.	1884205	EC SOFT LONG CONE		
18.	1884202	EC INNER TUBE RIGID CONE		
19.	1784211	EC TUBE BRG		
20.	818-552C	DECAL DANGER PTO DRIVELINE		
21.	818-540C	DECAL DANGER GUARD MISS PTO		
22.	44321	DRIVELINE SHIELD SAFETY CHAIN		
23.	1004227	EC PULL COLLAR KIT EVOLUTION		
24.	1004227	EC PULL COLLAR KIT EVOLUTION		

Label Placement AT26

Applies to AT2660, AT2672, AT2684



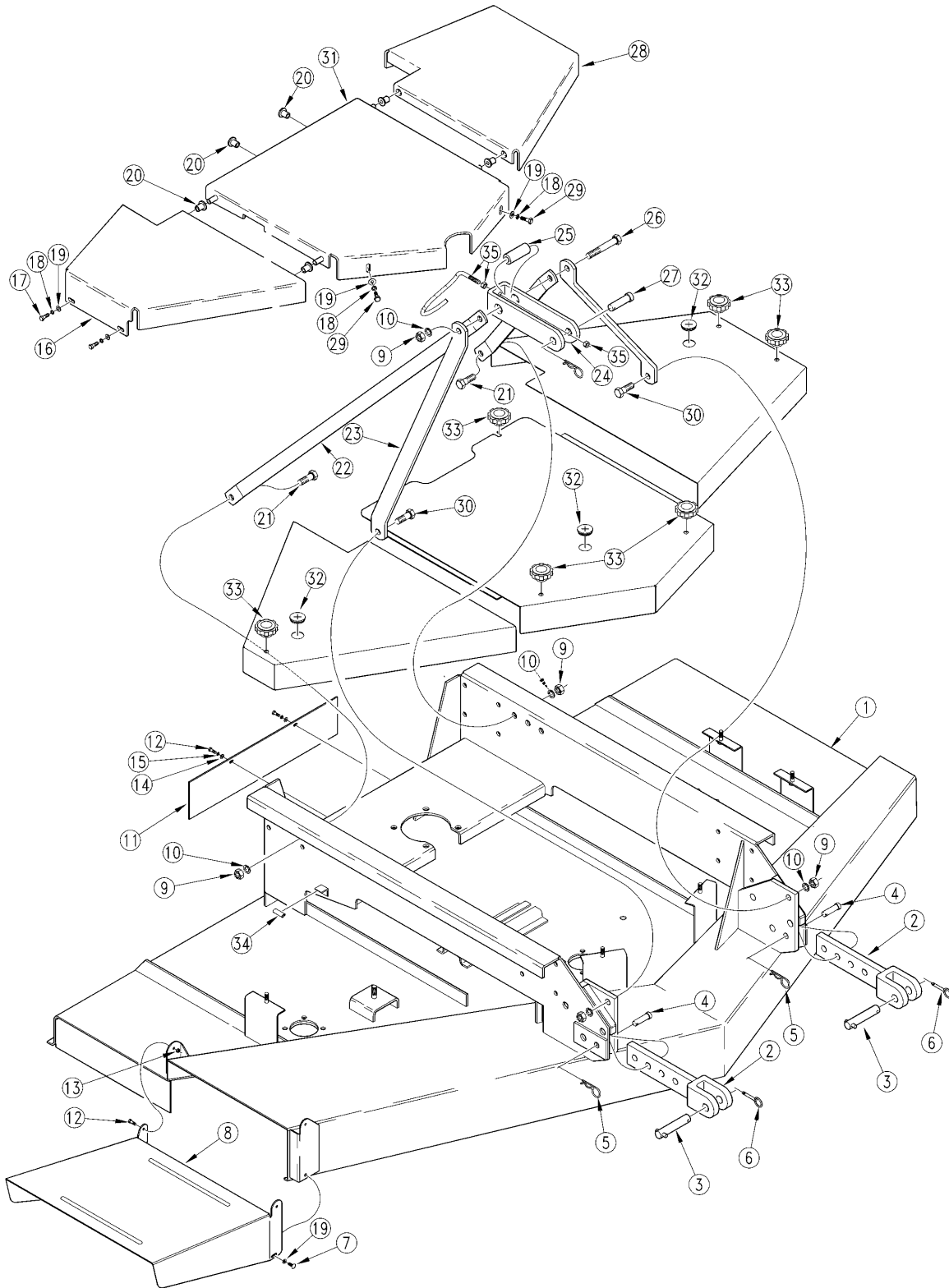
18887

Label Placement AT26**Applies to AT2660, AT2672, AT2684**

Ref	Part No.	Part Description	Comments	Revision
	dwg18887	Drawing Image Number		
	310-213A	AT2560 DECAL PACKAGE		
	310-214A	AT2572 DECAL PACKAGE		
	310-318A	AT2684 DECAL SHIPOUT BUNDLE		
1.	818-560C	DECAL NOTICE TO OWNER-NO WARRA		
2.	818-558C	DECAL WARNING GEN SAFE MOWER		
3.	818-543C	DECAL DANGER PD GUARD MISS SML		
4.	818-130C	DECAL CAUTION 540 RPM		
5.	838-300C	DECAL AT2660-BROWN		
5.	838-339C	DECAL AT2672-BROWN		
5.	838-260C	DECAL AT2684 - BROWN		
6.	818-555C	DECAL DANGER ROTATE BLADE		
7.	838-277C	DECAL V-BELT INST. AT2660		
7.	838-262C	DECAL V-BELT INSTALLATION		
7.	838-262C	DECAL V-BELT INST. AT2684		
8.	818-556C	DECAL DANGER THROWN OBJ CUTTER		
9.	818-890C	DECAL LP W/TREE 10" - 2 COLOR		
10.	818-552C	DECAL DANGER PTO DRIVELINE		
11.	818-298C	DECAL GREASE 25HRS BLACK/WHITE		
12.	818-138C	DECAL GREASE EVERY 25 HOURS		
13.	818-190C	DECAL FLAG		
14.	818-230C	DECAL RED REFLECTOR		
15.	838-063C	DECAL DRIVELINE 826-273C		
16.	818-540C	DECAL DANGER GUARD MISS PTO		
17.	838-272C	DECAL DANGER GUARD/BLADE HAZ.	Beneath grass chute	
18.	818-899C	DECAL LANDPRIDE 13.25" - BROWN		
19.	818-142C	DECAL DANGER PTO DRIVELINE EN		
20.	838-517C	DECAL QUICK HITCH SYSTEM		
21.	818-862C	DECAL 5 YEAR GEARBOX WARRANTY		

Deck

Applies to AT3590



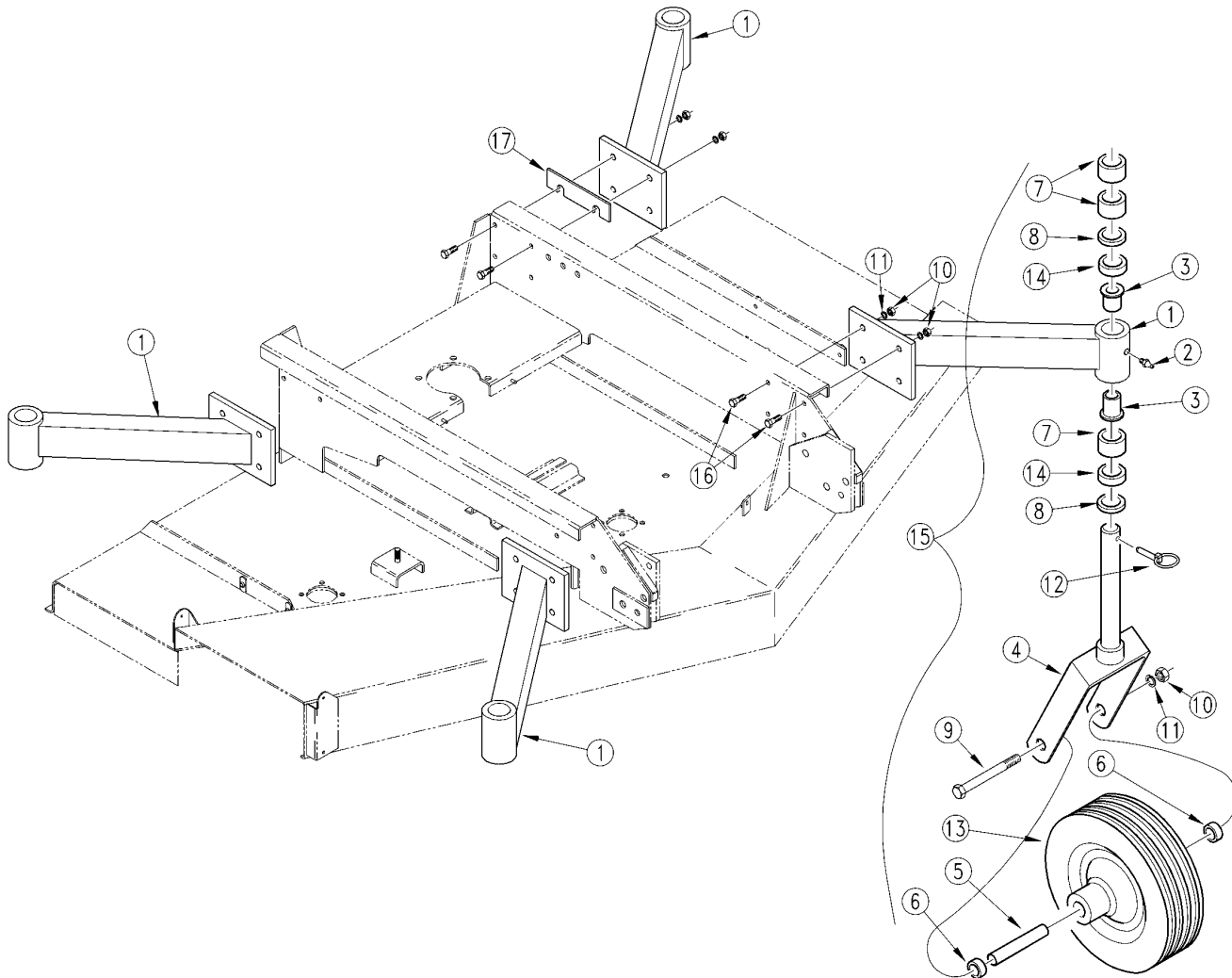
10482

Deck**Applies to AT3590**

Ref	Part No.	Part Description	Comments	Revision
	dwg10482	Drawing Image Number		
1.	310-231H	90 FRAME WELDMENT	(S/N 239293+) (S/N 209357 <-> 239292; Need to order item #16, 28, 31 & 33)	Rev. 2 not compat. w/Rev. 1
1.	310-091H	90 FRAME WELDMENT	(S/N 209357-)	Rev. 1
2.	310-019H	LOWER HITCH WELDMENT		
2.	310-212H	LOWER HITCH WELDMENT 16 1/8	Optional	Rev. 2
2.	310-114H	RPBY 310-212H		Rev 1; Use up stock
3.	310-020S	LOWER HITCH PIN		
4.	805-140C	PIN CLEVIS 3/4 X 2 1/2 PLT		Rev. 2
4.	805-141C	PIN CLEVIS 5/8 X 2 1/2 PLT		Rev 1; Use up stock
5.	805-143C	PIN HAIR COTTER .120 PLT		
6.	805-015C	PIN LYNCH 5/16 X 1 3/4		
7.	801-041C	SCREW THUMB 1/4-20 X 1/2 LG		
8.	310-221D	90 DISCHARGE CHUTE		
9.	803-022C	NUT HEX 5/8-18 PLT		
10.	804-022C	WASHER LOCK SPRING 5/8 PLT		
11.	310-432D	DRIVE PULLEY COVER	(S/N 209358+)	Rev. 2 not compat. w/Rev. 1
11.	310-241D	DRIVE PULLEY COVER	(S/N 209357-)	Rev. 1
12.	802-004C	HHCS 1/4-20X3/4 GR5		
13.	803-007C	NUT LOCK 1/4-20 PLT		
14.	804-007C	WASHER FLAT 1/4 SAE PLT		
15.	804-006C	WASHER LOCK SPRING 1/4 PLT		
16.	310-451D	AT3590 RH BELT COVER	(S/N 239292+)	Rev. 2 not compat. w/Rev. 1
16.	310-231D	RH BELT COVER-90	(S/N 239291-)	Rev. 1
17.	802-159C	HHCS 5/16-18X1 GR5	(S/N 239291-)	
18.	804-009C	WASHER LOCK SPRING 5/16 PLT	(S/N 239291-)	
19.	804-010C	WASHER FLAT 5/16 USS PLT	(S/N 239291-)	
20.	816-072C	BELT GUARD PIN CAP	(S/N 239291-)	
21.	802-246C	HHCS 5/8-18X1 3/4 GR5		
22.	310-218D	UPPER HITCH BRACE-90		
23.	310-068D	UPPER HITCH		
24.	310-015D	PIVOTING HITCH - UPPER		
25.	310-012D	SPACER - TOP HITCH		
26.	802-242C	HHCS 5/8-18X5 1/2 GR5		
27.	805-142C	PIN CLEVIS 3/4 X 3 1/2 PLT		
28.	310-452D	AT3590 LH BELT COVER	(S/N 239292+)	Rev. 2 not compat. w/Rev. 1
28.	310-230D	LH BELT GUARD-90	(S/N 239291-)	Rev. 1
29.	802-007C	HHCS 5/16-18X3/4 GR5		
30.	802-304C	HHCS 5/8-18X2 GR5		
31.	310-247H	AT3590 CENTER BELT COVER WLDMT	(S/N 239292+)	Rev. 3 not compat. w/Rev. 2
31.	310-235H	CENTER BELT COVER-90	(S/N 209358 <-> 239291)	Rev. 2 not compat. w/Rev. 1
31.	310-092H	CENTER BELT COVER-90	(S/N 209357-)	Rev. 1
32.	816-298C	RUBBER PLUG 1 3/8 W/CROSS SLIT	(S/N 239292+)	
33.	817-259C	KNOB 3/8-16 FEMALE THD 2 3/8OD	(S/N 239292+)	
34.	816-004C	VINYL SEAL 3/8 X 1/2 (PER FT)	(S/N 239292+)	
35.	800-320C	DRIVELINE HOOK HANGER W/HRDWR	(S/N 317416+)	

Gauge Wheel

Applies to AT3590



10485

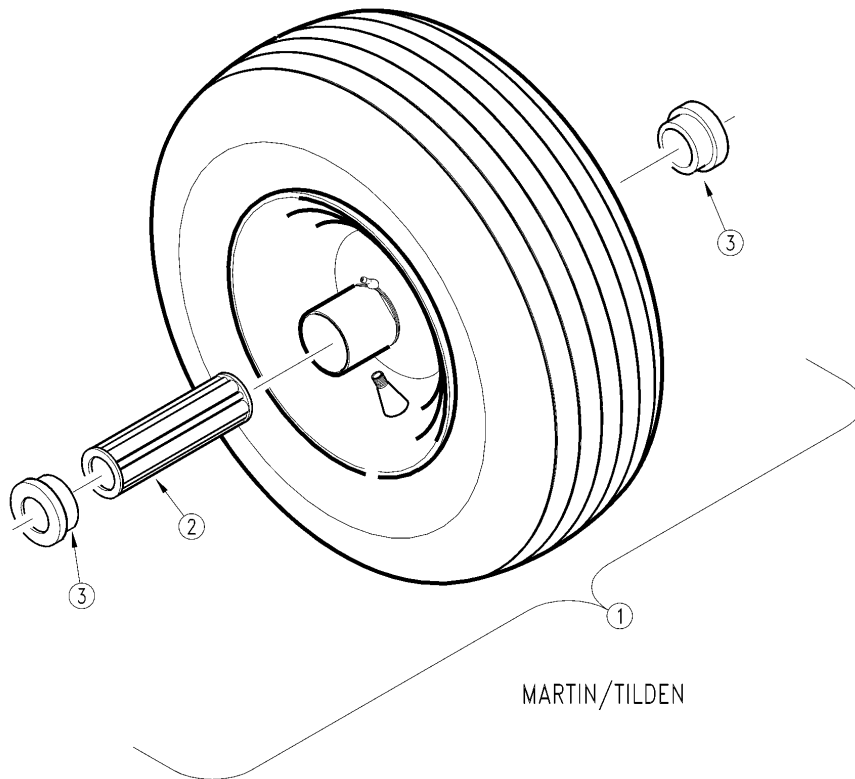
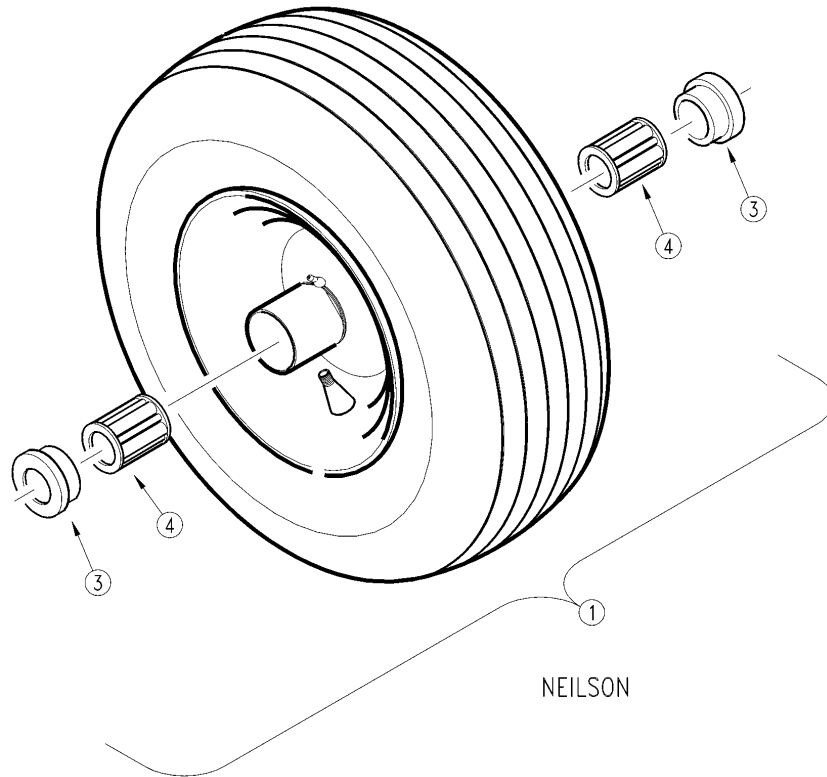
Gauge Wheel

Applies to AT3590

Ref	Part No.	Part Description	Comments	Revision
	dwg10485	Drawing Image Number		
1.	310-150H	GW ARM MOUNT 90		
2.	800-001C	GREASE ZERK STRAIGHT 1/4-28		
3.	890-202C	GAUGE WHEEL SFT PIVOT BUSHING	(S/N 58905+)	Rev. 2 not compat. w/Rev. 1
3.	890-187C	G.W. SHAFT PIVOT BUSHING	(S/N 58904-)	Rev. 1
4.	310-090H	90 GAUGE WHEEL YOKE		
5.	310-249D	SPACER TUBE-LG. G.W.		
6.	310-250D	SPACER TUBE-SH. G.W.		
7.	310-251D	G.W. SPACER 1"		
8.	310-252D	G.W. SPACER 1/2"		
9.	802-305C	HHCS 1/2-20X8 GR5		
10.	803-018C	NUT HEX 1/2-20 PLT		
11.	804-015C	WASHER LOCK SPRING 1/2 PLT		
12.	805-015C	PIN LYNCH 5/16 X 1 3/4	(S/N 264391+)	Rev. 3 not compat. w/Rev. 2
12.	805-126C	PIN LYNCH 1/4 X 1 3/4 PLT	(S/N 264390-)	Rev. 2
12.	805-065C	PIN WIRE RETAINING 1/4 X 1 3/4		Rev 1; Use up stock
13.	814-114C	TIRE 13X5.00-6 AIR TIREW/HOLES	(S/N 210958+)	Rev. 2
13.	814-070C	RPBY 814-114C	(S/N 210957-)	Rev 1; Use up stock
13.	814-272C	TIRE 13X5.0-6SEMI-SOLID SMOOTH	(S/N 454239 +)	Rev. 2
13.	814-193C	RPBY 814-272C	(S/N 454238 -)	Rev. 1
14.	310-359D	GW SPACER 1/4"		
15.	310-100S	90 G W YOKE SUB ASSY	Includes items 4 through 14	
16.	802-036C	HHCS 1/2-20X1 1/2 GR5		
17.	310-264D	G. W. SHIM PLATE-90	If required	

Gauge Wheel Tire (814-114C), (814-070C), (814-193C) & (814-272C)

Applies to AT3590



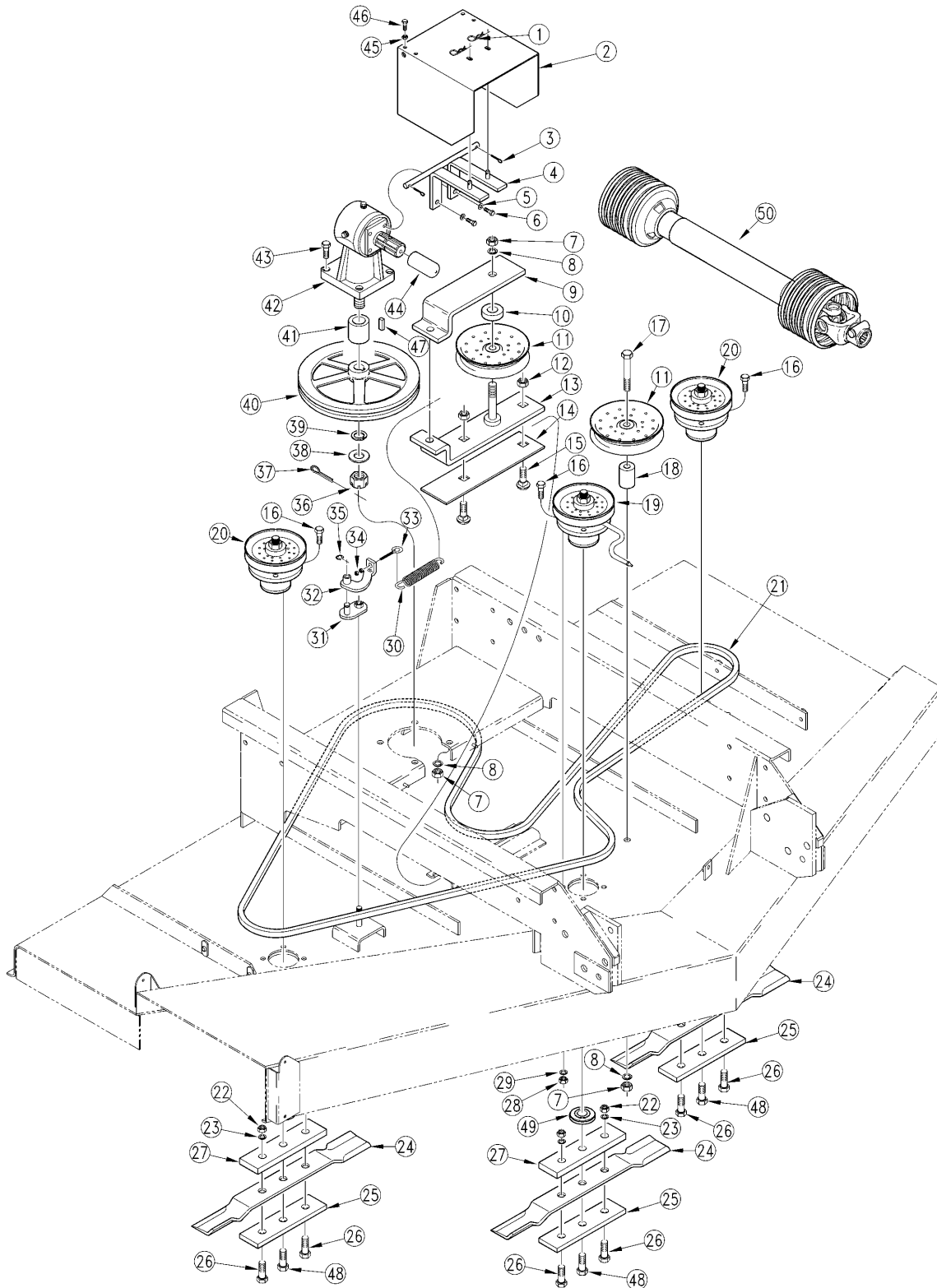
13631

Gauge Wheel Tire (814-114C), (814-070C), (814-193C) & (814-272C)**Applies to AT3590**

Ref	Part No.	Part Description	Comments	Revision
	dwg13631	Drawing Image Number		
1.	814-114C	TIRE 13X5.00-6 AIR TIREW/HOLES	Neilson/Martin/Tilden	
1.	814-070C	REP BY 814-114C		
1.	814-272C	TIRE 13X5.0-6SEMI-SOLID SMOOTH		
1.	814-193C	RPBY 814-272C		
2.	53-180	TILDEN BRG 1.38 OD X3.7LG.75ID		
3.	53-164	TILDEN RTNR 3/4IDX1 3/8ODX1/4L		
4.	53-189	TILDEN BRG 3/4ID1.34ODX15/16L		

Belt Drive (S/N 209357-)

Applies to AT3590



10483

Belt Drive (S/N 209357-)**Applies to AT3590**

Ref	Part No.	Part Description	Comments	Revision
	dwg10483	Drawing Image Number		
1.	805-010C	PIN HAIR COTTER .094		
2.	315-358D	CEN GBOX COVER AFM40200		Rev. 2
2.	310-265D	RPBY 315-358D		Rev 1; Use up stock
3.	805-069C	PIN COTTER 3/16 X 1		
4.	310-113H	GUARD MTG WELDMENT		
5.	804-009C	WASHER LOCK SPRING 5/16 PLT		
6.	802-314C	HHCS M8X1.25X20 GR8.8		
7.	803-022C	NUT HEX 5/8-18 PLT		
8.	804-022C	WASHER LOCK SPRING 5/8 PLT		
9.	310-248D	TOP IDLER PULLEY TAKE-UP		
10.	310-049D	IDLER PULLEY SPACER		Rev. 2
10.	310-233D	RPBY 310-049D		Rev 1; Use up stock
11.	808-107C	PULLEY IDLER 9" OD		
12.	803-024C	NUT LOCK 5/8-11 PLT		
13.	310-093H	TAKE-UP PULLEY MTG-90		
14.	310-256D	IDLER SLIDE SPACER		
15.	802-306C	RHSNB 5/8-11X1 1/4 GR5		
16.	802-229C	HHCS 7/16-20X1 1/2 GR8		
17.	802-307C	HHCS 5/8-18X5 GR5		
18.	310-232D	IDLER SPACER-90		
19.	310-110S	90" CENTER SPINDLE SUB ASSY		
20.	310-097S	90" RL SPINDLE SUB ASSY		
21.	816-101C	V-BELT C195 199.2 E.L. KEVLAR		
22.	803-018C	NUT HEX 1/2-20 PLT		
23.	804-015C	WASHER LOCK SPRING 1/2 PLT		
24.	890-223C	MWR BLD 5/16X31 17/32SD HL CW	Standard High Lift	
24.	890-533C	MWR BLD 5/16X31 17/32SD ML CW	Optional Medium Lift	
24.	890-205C	MWR BLD 5/16X31 17/32SD LL CW	Optional Low Lift	
24.	890-704C	MWR BLD MULCH 1/4X31.53SD C	Optional mulch blades	
25.	310-228D	BLADE MTG BAR BOTTOM		
26.	802-320C	HHCS 1/2-20X2 GR5		Rev. 2
26.	802-302C	HSFCHCS 1/2-20X2 BLK		Rev 1; Use up stock
27.	310-226D	BLADE MTG BAR TOP		
28.	803-115C	NUT HEX 7/16-20 PLT		
29.	804-014C	WASHER LOCK 7/16 PLT		
30.	807-050C	SPRING EXT 1 13/32 X 6 EXT	(S/N 204173+)	Rev. 2 not compat. w/Rev. 1
30.	807-068C	SPRING EXT BELT HANDLE	(S/N 204172-)	Rev. 1
31.	310-094H	OVER-CENTER LATCH-90		
32.	310-095H	SPRING EYE-BOLT BRACKET		
33.	802-567C	SP EYE 3/8-16X4	(S/N 174815+)	Rev. 2 not compat. w/Rev. 1
33.	802-233C	SP EYE 1/4-20X2 3/4	(S/N 174814-)	Rev. 1
34.	803-014C	NUT HEX 3/8-16 PLT	(S/N 174815+)	Rev. 2 not compat. w/Rev. 1
34.	803-006C	NUT HEX 1/4-20 PLT	(S/N 174814-)	Rev. 1
35.	800-099C	SNAP RING EXT 7/16		
36.	8.2.2.00515	CO NUT, CASTLE M24 X 2		
37.	805-017C	PIN COTTER 3/16 X 1 3/4 PLT		
38.	310-306D	HUB WASHER 90" GEAR BOX		
39.	8.3.2.00409	FLAT WASHER 24 X 44 X 4		
40.	808-108C	90" DRIVE PULLEY		
41.	826-058C	DRIVE PULLEY HUB - MACH.	Furnished with Gearbox	
42.	826-055C	LF-135A GEAR BOX W/LP HUB		
43.	802-246C	HHCS 5/8-18X1 3/4 GR5		Rev. 2 not compat. w/Rev. 1
43.	802-207C	HHCS 5/8-18X1 1/2 GR5		Rev. 1
44.	817-050C	GEARBOX SHAFT PROTECTOR		
45.	803-011C	NUT LOCK 5/16-18 PLT		
46.	802-115C	HHCS 5/16-18X2 GR5		
47.	310-260D	KEY 5/8 SQ X 2 LG		

Belt Drive (S/N 209357-) (continued)

Applies to AT3590

Ref	Part No.	Part Description	Comments	Revision
48.	802-036C	HHCS 1/2-20X1 1/2 GR5		Rev. 2 not compat. w/Rev. 1
48.	802-303C	HSFCHCS 1/2-20X1 1/4 BLK		Rev. 1
49.	310-227D	BLADE WASHER-90		
50.	826-057C	90 GROOMING MOWER S.B. PTO		
50.	826-080C	WS PTO 2300 W/FRICTION CLUTCH		

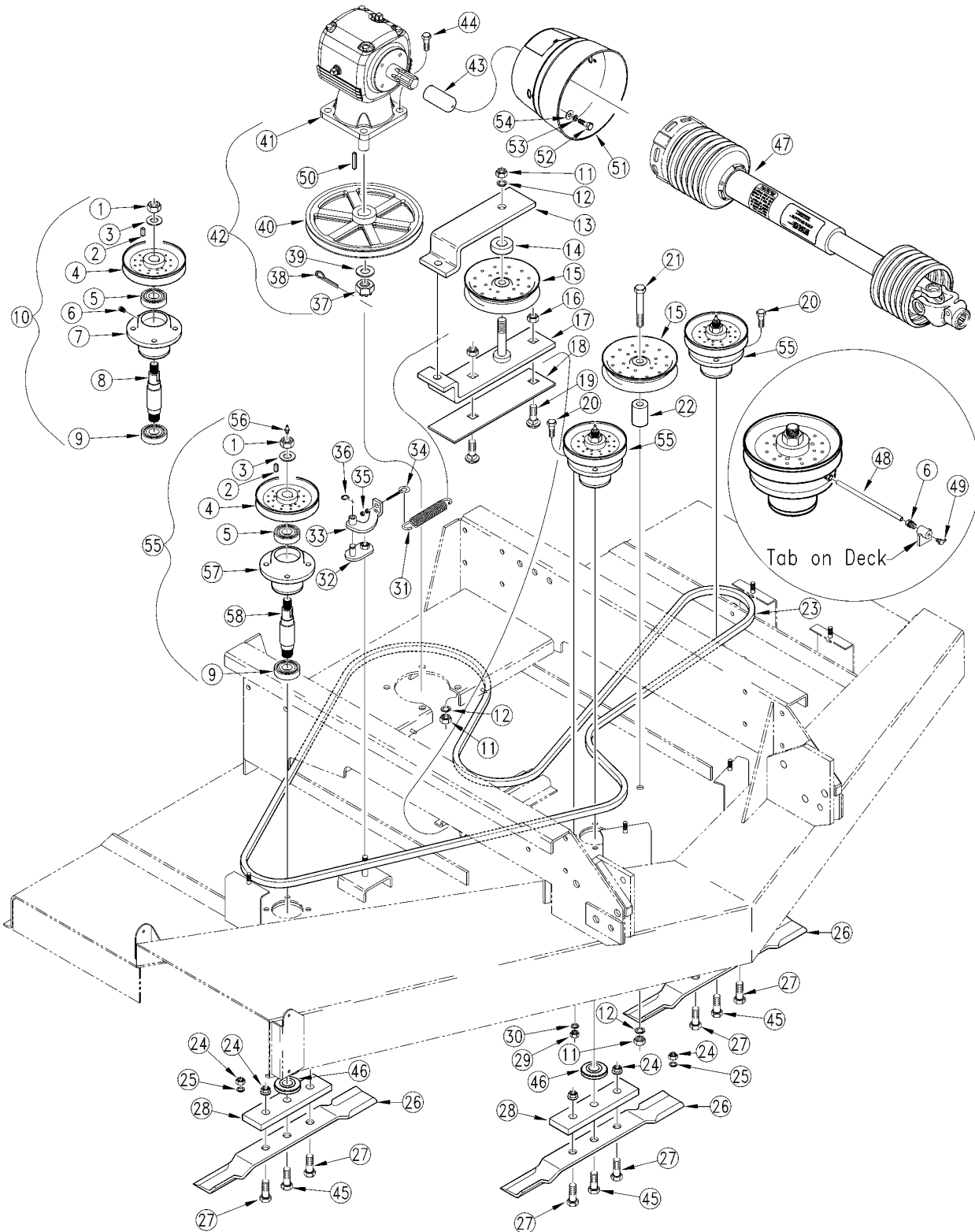
Belt Drive (S/N 209357-) (continued)

Applies to AT3590

This Page Intentionally Left Blank

Belt Drive (S/N 209358+)

Applies to AT3590



16479

Belt Drive (S/N 209358+)**Applies to AT3590**

Ref	Part No.	Part Description	Comments	Revision
	dwg16479	Drawing Image Number		
1.	803-114C	NUT LOCK 3/4-16 NYLOC COLLAR		
2.	172-242D	1/4 SQ. KEY X 7/8 LG		
3.	804-093C	WASHER FLAT 3/4 HARD ASTM F436		
4.	808-268C	PULLEY SPINDLE 7 1/2		Rev. 2
4.	808-106C	RPBY 808-268C		Rev 1; Use up stock
5.	822-162C	BEARING 6007 W/ METAL SHIELD		
6.	800-157C	FTG TUBE,CONNECTOR 1/8 MNPT	(S/N 212181 <-> 239291)	
7.	310-224D	BLADE HUB - MACH	(S/N 239291-)	
8.	310-225D	RPBY 310-353S	(S/N 239291-)	
9.	822-096C	# 107 BEARING SINGLE SEAL		
10.	310-228S	FDR3590 BLADE HUB ASSY	(S/N 212181 <-> 239291)	Rev. 2 not compat. w/Rev. 1
10.	310-097S	90" RL SPINDLE SUB ASSY	(S/N 212180-)	Rev. 1
10.	310-110S	90" CENTER SPINDLE SUB ASSY	(S/N 212180-)	Rev. 1
11.	803-022C	NUT HEX 5/8-18 PLT		
12.	804-022C	WASHER LOCK SPRING 5/8 PLT		
13.	310-248D	TOP IDLER PULLEY TAKE-UP		
14.	310-049D	IDLER PULLEY SPACER		
15.	808-107C	PULLEY IDLER 9" OD		
16.	803-024C	NUT LOCK 5/8-11 PLT		
17.	310-093H	TAKE-UP PULLEY MTG-90		
18.	310-256D	IDLER SLIDE SPACER		
19.	802-306C	RHSNB 5/8-11X1 1/4 GR5		
20.	802-229C	HHCS 7/16-20X1 1/2 GR8		
21.	802-307C	HHCS 5/8-18X5 GR5		
22.	310-232D	IDLER SPACER-90		
23.	816-101C	V-BELT C195 199.2 E.L. KEVLAR		
24.	803-308C	NUT HEX FLG. LOCK 1/2-20 PLT.	(S/N 319784+)	Rev. 2
24.	803-018C	NUT HEX 1/2-20 PLT	(S/N 319783-)	Rev 1; Use up stock
25.	804-015C	WASHER LOCK SPRING 1/2 PLT	(S/N 210729-)	
26.	890-223C	MWR BLD 5/16X31 17/32SD HL CW	Standard High Lift	
26.	890-533C	MWR BLD 5/16X31 17/32SD ML CW	Optional Medium Lift	
26.	890-205C	MWR BLD 5/16X31 17/32SD LL CW	Optional Low Lift	
26.	890-704C	MWR BLD MULCH 1/4X31.53SD C	Optional mulch	
27.	802-329C	HHCS 1/2-20X1 3/4 GR5	(S/N 210730+)	Rev. 2 not compat. w/Rev. 1
27.	802-320C	HHCS 1/2-20X2 GR5	(S/N 210729-)	Rev. 1
28.	310-226D	BLADE MTG BAR TOP		
29.	803-115C	NUT HEX 7/16-20 PLT		
30.	804-014C	WASHER LOCK 7/16 PLT		
31.	807-050C	SPRING EXT 1 13/32 X 6 EXT		
32.	310-094H	OVER-CENTER LATCH-90		
33.	310-095H	SPRING EYE-BOLT BRACKET		
34.	802-567C	SP EYE 3/8-16X4		
35.	803-014C	NUT HEX 3/8-16 PLT		
36.	800-099C	SNAP RING EXT 7/16		
37.	120050	OMNI NUT HEX SLOTTED, 1-14UNC		
38.	805-017C	PIN COTTER 3/16 X 1 3/4 PLT		
39.	804-029C	WASHER FLAT 1 SAE		
40.	808-337C	C-GROOVE PULLEY 11" CAST-IRON	(S/N 346256+)	Rev. 2
40.	808-231C	C-GROOVE DRIVE PULLEY 11 OD	(S/N 346255-)	Rev. 1
41.	826-326C	GBOX MOWER 50 HP 1:2.8 CW	(S/N 341968+)	Rev. 2 not compat. w/Rev. 1
41.	826-206C	REP BY 826-326C	S/N 209358 to 341967)	Rev. 1
42.	315-341V	AFM4522 CW GEAR BOX SUB		
43.	817-050C	GEARBOX SHAFT PROTECTOR	(S/N 220346-)	
44.	802-246C	HHCS 5/8-18X1 3/4 GR5		
45.	802-699C	HFS 1/2-20X1 3/4 GR8	(S/N 329661+)	Rev. 3 not compat. w/Rev. 2
45.	802-240C	HHCS 1/2-20X1 GR5	(S/N 210730 <-> 329660)	Rev. 2 not compat. w/Rev. 1
45.	802-036C	HHCS 1/2-20X1 1/2 GR5	(S/N 210729-)	Rev. 1

Belt Drive (S/N 209358+) (continued)

Applies to AT3590

Ref	Part No.	Part Description	Comments	Revision
46.	310-227D	BLADE WASHER-90		
47.	826-080C	WS PTO 2300 W/FRICTION CLUTCH	(S/N 236470+)	Rev. 2
47.	826-195C	DRIVE CAT 4 W/O CLUTCH 55.36	(S/N 209358 <-> 236469)	Rev 1; Use up stock
48.	990-109R	TUBE NYLON 1/4OD X 062WL	(S/N 212181 <-> 239291)	
49.	800-193C	GREASE ZERK 1/8NPT 45-DEG	(S/N 212181 <-> 239291)	
50.	310-331D	KEY 1/4 X 11/16 LONG		
51.	826-240C	SMALL SHAFT CONE W ACCESS DOOR	(S/N 236470+)	
52.	802-007C	HHCS 5/16-18X3/4 GR5	(S/N 236470+)	
53.	804-009C	WASHER LOCK SPRING 5/16 PLT	(S/N 236470+)	
54.	804-010C	WASHER FLAT 5/16 USS PLT	(S/N 236470+)	
55.	310-250S	CW TG SPNDL HUB ASSY 7.5" PULL	(S/N 239292+)	
56.	800-001C	GREASE ZERK STRAIGHT 1/4-28	(S/N 239292+)	
57.	310-457D	BLADE HUB MACHINED TOP GREASE	(S/N 239292+)	
58.	310-632D	BLADE SPINDLE SHAFT CW HVY TG	(S/N 329661+)	Rev. 2 not compat. w/Rev. 1
58.	310-456D	RPBY 310-351S	(S/N 239292 <-> 329660)	Rev. 1

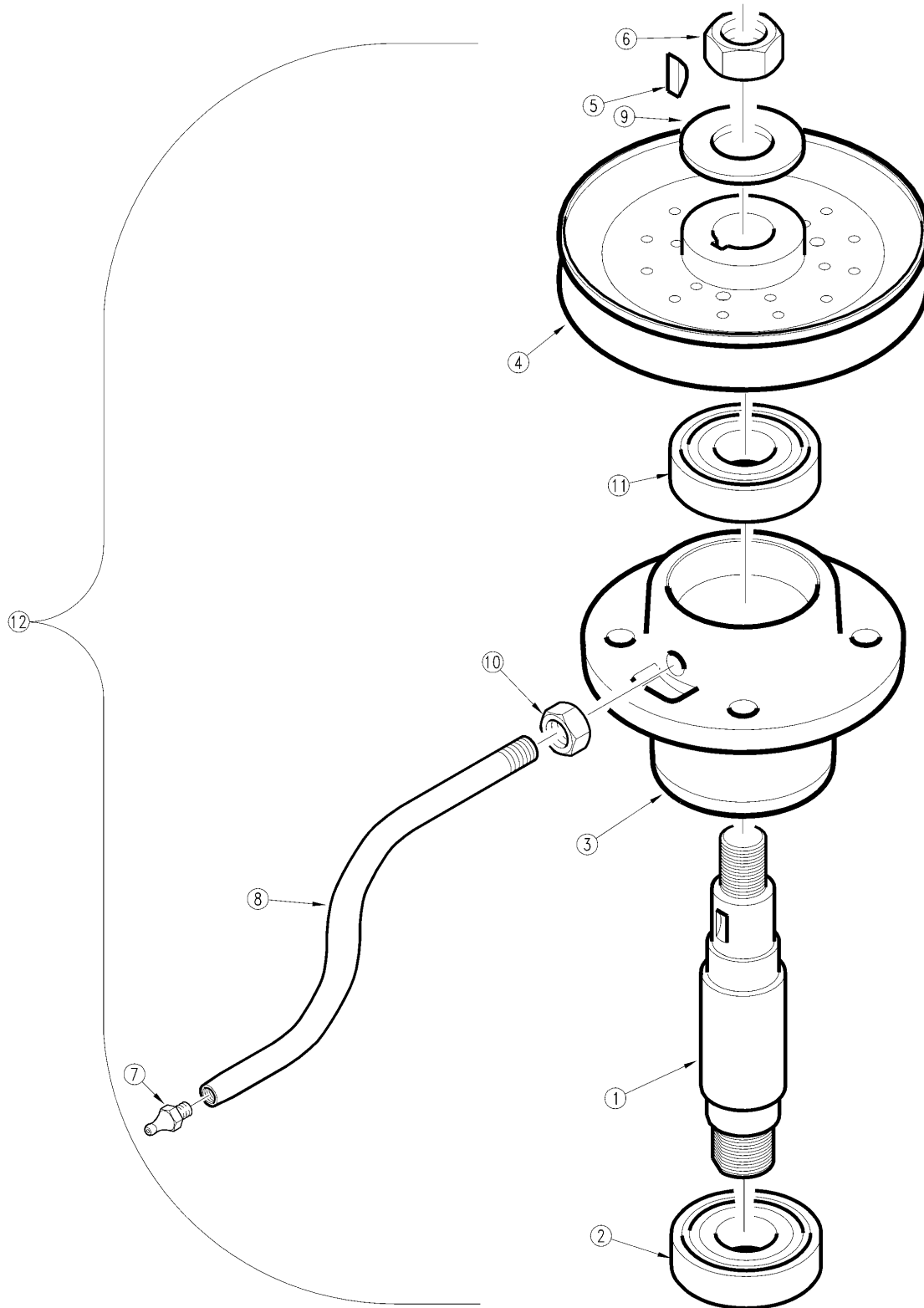
Belt Drive (S/N 209358+) (continued)

Applies to AT3590

This Page Intentionally Left Blank

Center Blade Hub (S/N 212180-)

Applies to AT3590



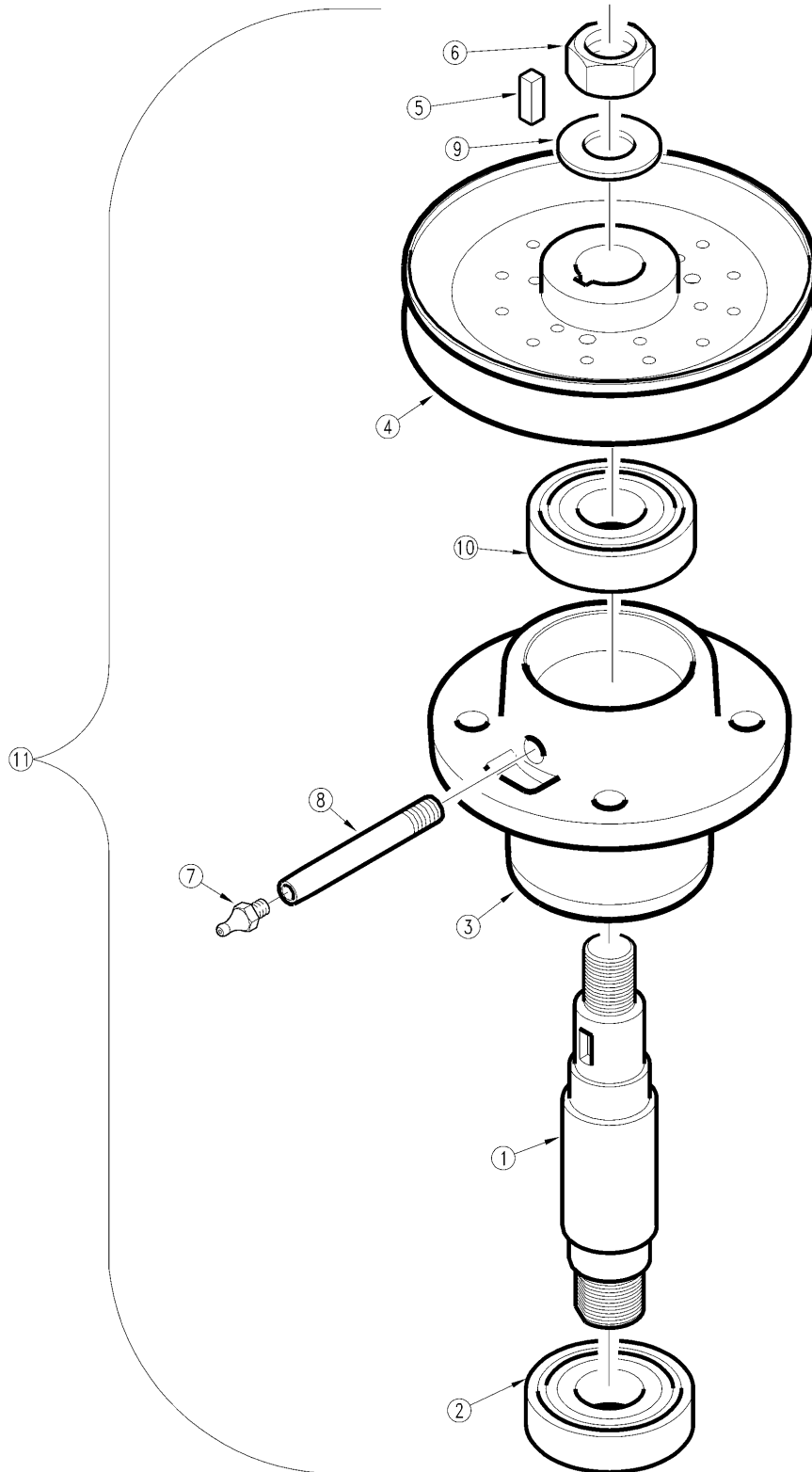
10433

Center Blade Hub (S/N 212180-)**Applies to AT3590**

Ref	Part No.	Part Description	Comments	Revision
	dwg10433	Drawing Image Number		
1.	310-225D	BLADE SPINDLE SHAFT		
2.	822-096C	# 107 BEARING SINGLE SEAL		
3.	310-224D	BLADE HUB- MACH.-90		
4.	808-268C	PULLEY SPINDLE 7 1/2		Rev. 2
4.	808-106C	RPBY 808-268C		Rev 1; Use up stock
5.	890-163C	KEY WOODRUFF 1/4 X 3/4 #806		
6.	803-114C	NUT LOCK 3/4-16 NYLOC COLLAR		
7.	800-075C	ZERK 5/16-24 STRAIGHT #1711B		
8.	310-236D	90 CENTER GREASE TUBE		
9.	804-093C	WASHER FLAT 3/4 HARD ASTM F436	(S/N 174548+)	
9.	804-025C	WASHER FLAT 3/4 SAE PLT	(S/N 174547-)	
10.	803-184C	NUT HEX PIPE JAM 1/8-27 NPSF	(S/N 59102+)	
11.	822-162C	BEARING 6007 W/ METAL SHIELD	(S/N 174548+)	Rev. 2
11.	822-096C	# 107 BEARING SINGLE SEAL	(S/N 174547-)	Rev 1; Use up stock
12.	310-110S	90" CENTER SPINDLE SUB ASSY		

Right Hand and Left Hand Blade Hub (S/N 212180-)

Applies to AT3590



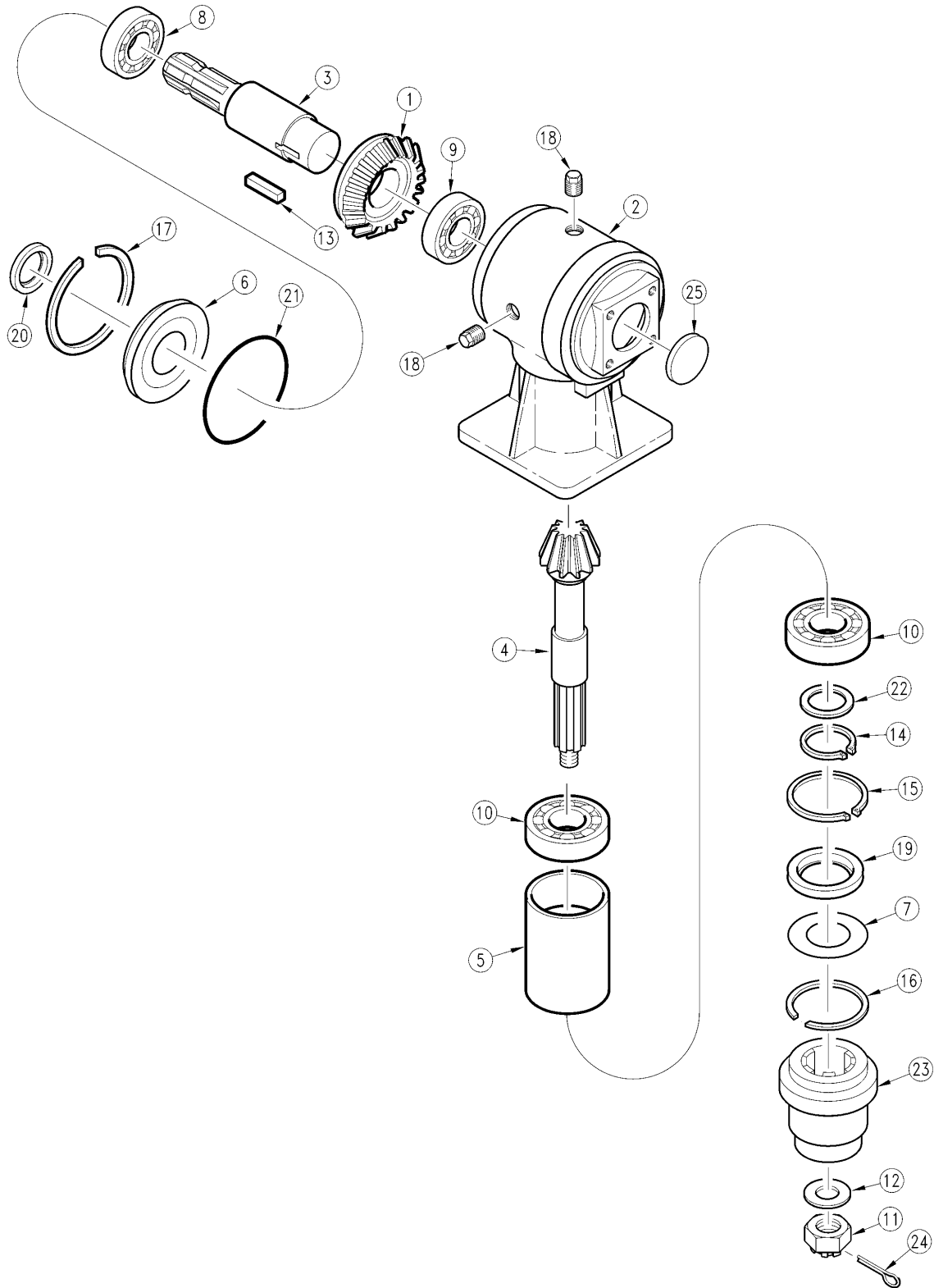
10333

Right Hand and Left Hand Blade Hub (S/N 212180-)**Applies to AT3590**

Ref	Part No.	Part Description	Comments	Revision
	dwg10333	Drawing Image Number		
1.	310-225D	BLADE SPINDLE SHAFT		
2.	822-096C	# 107 BEARING SINGLE SEAL		
3.	310-224D	BLADE HUB- MACH.-90		
4.	808-268C	PULLEY SPINDLE 7 1/2		Rev. 2
4.	808-106C	RPBY 808-268C		Rev 1; Use up stock
5.	890-163C	KEY WOODRUFF 1/4 X 3/4 #806		
6.	803-114C	NUT LOCK 3/4-16 NYLOC COLLAR		
7.	800-075C	ZERK 5/16-24 STRAIGHT #1711B		
8.	310-242D	LH & RH GREASE TUBEE		
9.	804-093C	WASHER FLAT 3/4 HARD ASTM436	(S/N 174548+)	Rev 2; Use up stock
9.	804-025C	WASHER FLAT 3/4 SAE PLT	(S/N 174547-)	Rev. 1
10.	822-162C	BEARING 6007 W/ METAL SHIELD	(S/N 174548+)	Rev 2; Use up stock
10.	822-096C	# 107 BEARING SINGLE SEAL	(S/N 174547-)	Rev. 1
11.	310-097S	90" RL SPINDLE SUB ASSY		

Gearbox (826-055C) Comer

Applies to AT3590



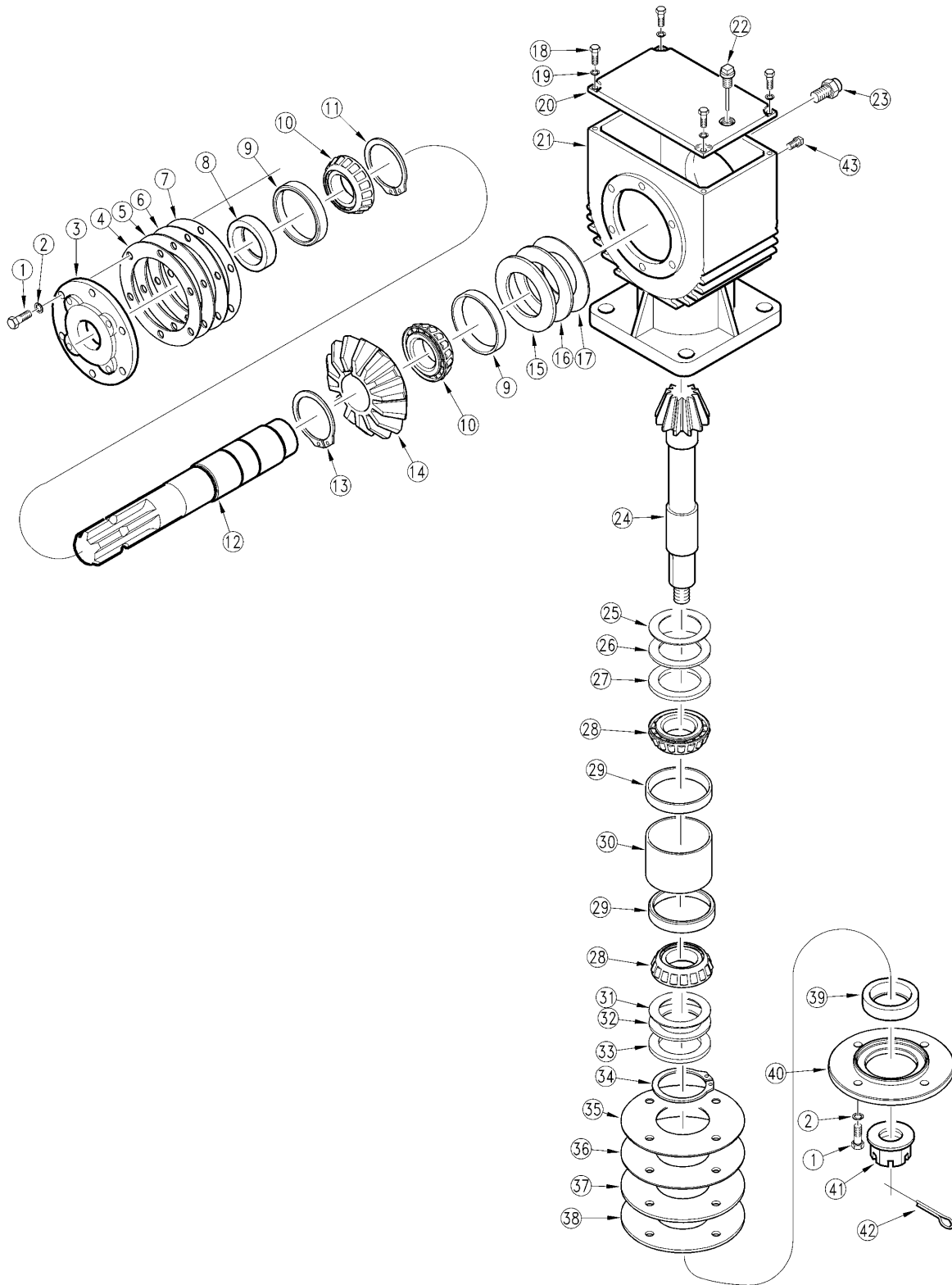
10484

Gearbox (826-055C) Comer**Applies to AT3590**

Ref	Part No.	Part Description	Comments	Revision
	dwg10484	Drawing Image Number		
	826-055C	GEARBOX LF-135A W/LP HUB		
1.	0.135.5001.00	CO GEAR Z22		
2.	0.135.0301.00	CO CASTING		
3.	0.135.2003.00	CO SHAFT		
4.	0.135.6002.00	CO PINION SHAFT		
5.	0.135.7101.00	CO SPACER		
6.	0.141.1300.00	LID FLANGE		
7.	1.135.7100.00	CO WASHER PROTECTIVE		
8.	8.0.1.00000	BEARING #6007		
9.	8.0.1.00870	BEARING #6207		
10.	8.0.1.00871	BEARING #6208		
11.	8.2.2.00515	CO NUT, CASTLE M24 X 2		
12.	8.3.2.00409	FLAT WASHER 24 X 44 X 4		
13.	8.4.1.00993	CO PARALLEL KEY B 10 X 8 X 30		
14.	8.5.1.00029	CO SNAP RING 40 UNI 7435		
15.	8.5.2.00030	CO SNAP RING 80 UNI 7437		
16.	8.5.3.00955	CO SNAP RING SB 81		
17.	8.5.3.01057	CO SPLIT RING SB 125		
18.	8.6.6.00201	CO PLUG 3/8"		
19.	8.7.1.01171	CO DOUBLE LIP SEAL 40X80X12		
20.	8.7.3.00028	CO OIL SEAL BA 35 X 52 X 7	2nd revision	
20.	8.7.3.01172	RPBY 8.7.3.00028	Use up existing stock; revision 1	
21.	8.7.6.01058	RING GASKET OR-4462		
22.	A244.501	CO SHIM 40.3 X 51.5 826-067C	2nd revision	
22.	0.244.7500.00	RPBY A244.501	Use up existing stock; revision 1	
23.	826-058C	DRIVE PULLEY HUB - MACH.		
24.	805-017C	PIN COTTER 3/16 X 1 3/4 PLT		
25.	8.7.0.00693	LID,52 X 7		

Gearbox (826-206C) OMNI

Applies to AT3590



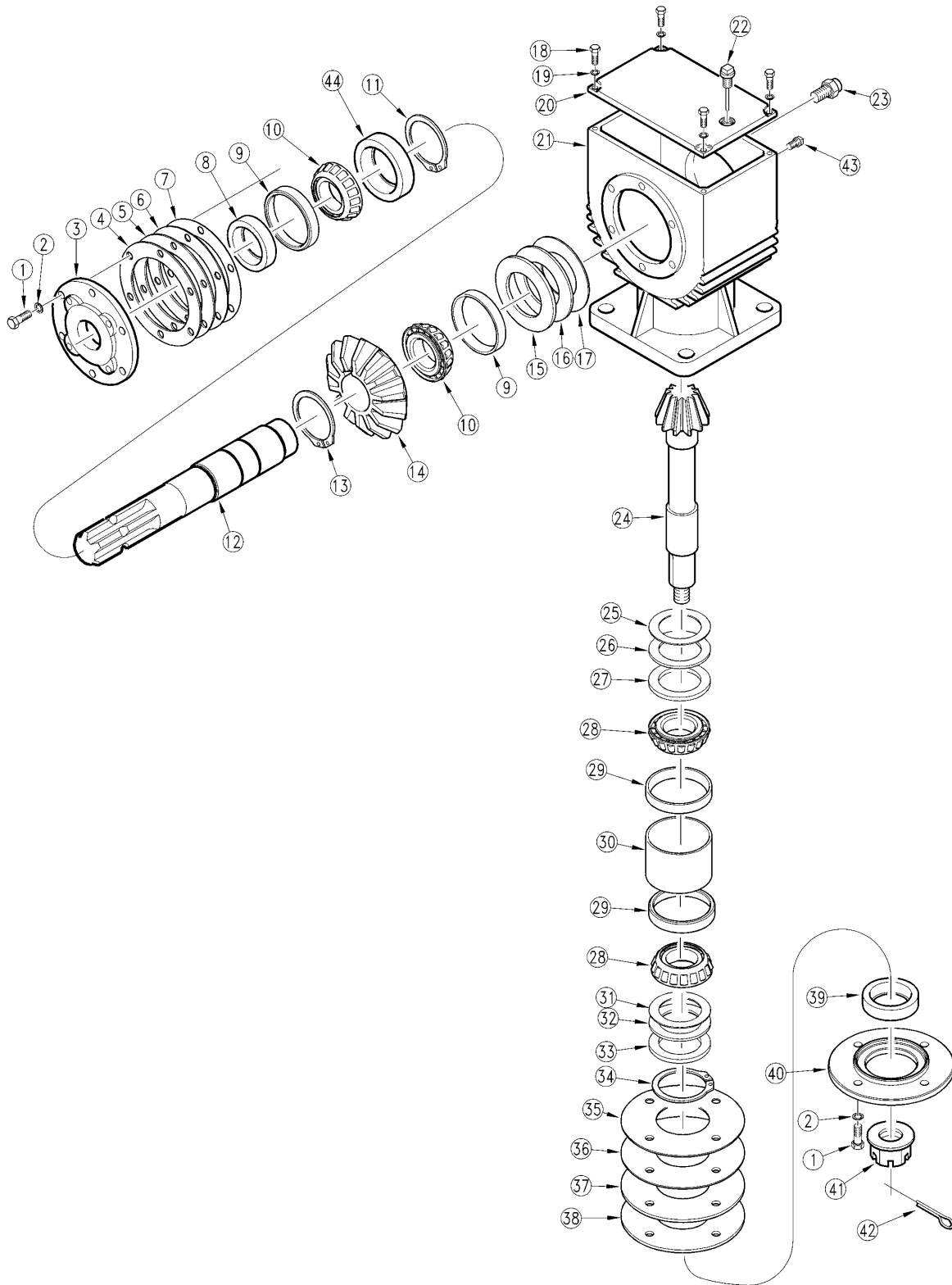
15934

Gearbox (826-206C) OMNI**Applies to AT3590**

Ref	Part No.	Part Description	Comments	Revision
	dwg15934	Drawing Image Number		
	826-206C	RPBY 826-296C		
1.	110192	OMNI SCREW-5/16"-18UNC X 7/8"		
2.	130006	OMNI LOCKWASHR 5/16"SPLIT TYPE		
3.	020224	OMNI CAP-INPUT		
4.	070249	OMNI GASKET-INPUT 0.50MM		
5.	070248	OMNI GASKET-INPUT 0.30MM		
6.	070247	OMNI GASKET-INPUT 0.20MM		
7.	070246	OMNI GASKET-INPUT 0.10MM		
8.	060127	OMNI SEAL-INPUT CR13930		
9.	050170	OMNI BEARING CUP 30207		
10.	050172	OMNI BEARING CONE 30207		
11.	200140	OMNI RTNG. RING 38MM RC DSH-38		
12.	040335	OMNI SHAFT-INPUT 1-3/8"-6 SPLN		
13.	200141	OMNI RTNG. RING 38MM RC DSH-38		
14.	030457	OMNI GEAR INPUT, 34T		
15.	090181	OMNI SHIM INPUT 0.30MM		
16.	090180	OMNI SHIM INPUT 0.20MM		
17.	090179	OMNI SHIM INPUT 0.10MM		
18.	110009	OMNI SCREW-1/4"-20 UNC X 3/4"		
19.	130028	OMNI LOCKWASHR 1/4" SPLIT TYPE		
20.	240280	OMNI INSPECTION COVER		
21.	010175	OMNI HOUSING-RC-25		
22.	140047	OMNI PLUG SQ.HD.1/2-14NPT W/DP		
23.	140000	OMNI PIPE PLUG 1/2' SQ HEAD	(S/N 215411+)	Rev. 2 not compat. w/Rev. 1
23.	140033	OMNI PLUG VENT 1/2-14 NPTF	(S/N 215410-)	Rev. 1
24.	030456	OMNI PINION-OUTPUT 12T		
25.	090182	OMNI SHIM OUTPUT 0.10MM		
26.	090183	OMNI SHIM OUTPUT 0.20MM		
27.	090184	OMNI SHIM OUTPUT 0.30MM		
28.	050197	OMNI BEARING CONE 30208		
29.	050195	OMNI BEARING CUP 30208		
30.	090185	OMNI SPACER OUTPUT		
31.	090186	OMNI SHIM OUTPUT 0.10MM		
32.	090187	OMNI SHIM OUTPUT 0.20MM		
33.	090188	OMNI SHIM OUTPUT 0.30MM		
34.	200000	OMNI RETAINING RING		
35.	070250	OMNI GASKET-OUTPUT 0.10MM		
36.	070253	OMNI GASKET-INPUT 0.50MM		
37.	070252	OMNI GASKET-INPUT 0.30MM		
38.	070251	OMNI GASKET-INPUT 0.20MM		
39.	060128	OMNI SEAL-OUTPUT CR15822		
40.	020225	OMNI CAP-OUTPUT		
41.	120050	OMNI NUT HEX SLOTTED, 1-14UNC		
42.	100001	OMNI COTTER PIN 5 X 50		
43.	140017	OMNI PLUG PIPE SQ HD1/8-27NPTF		

Gearbox (826-296C) OMNI

Applies to AT3590



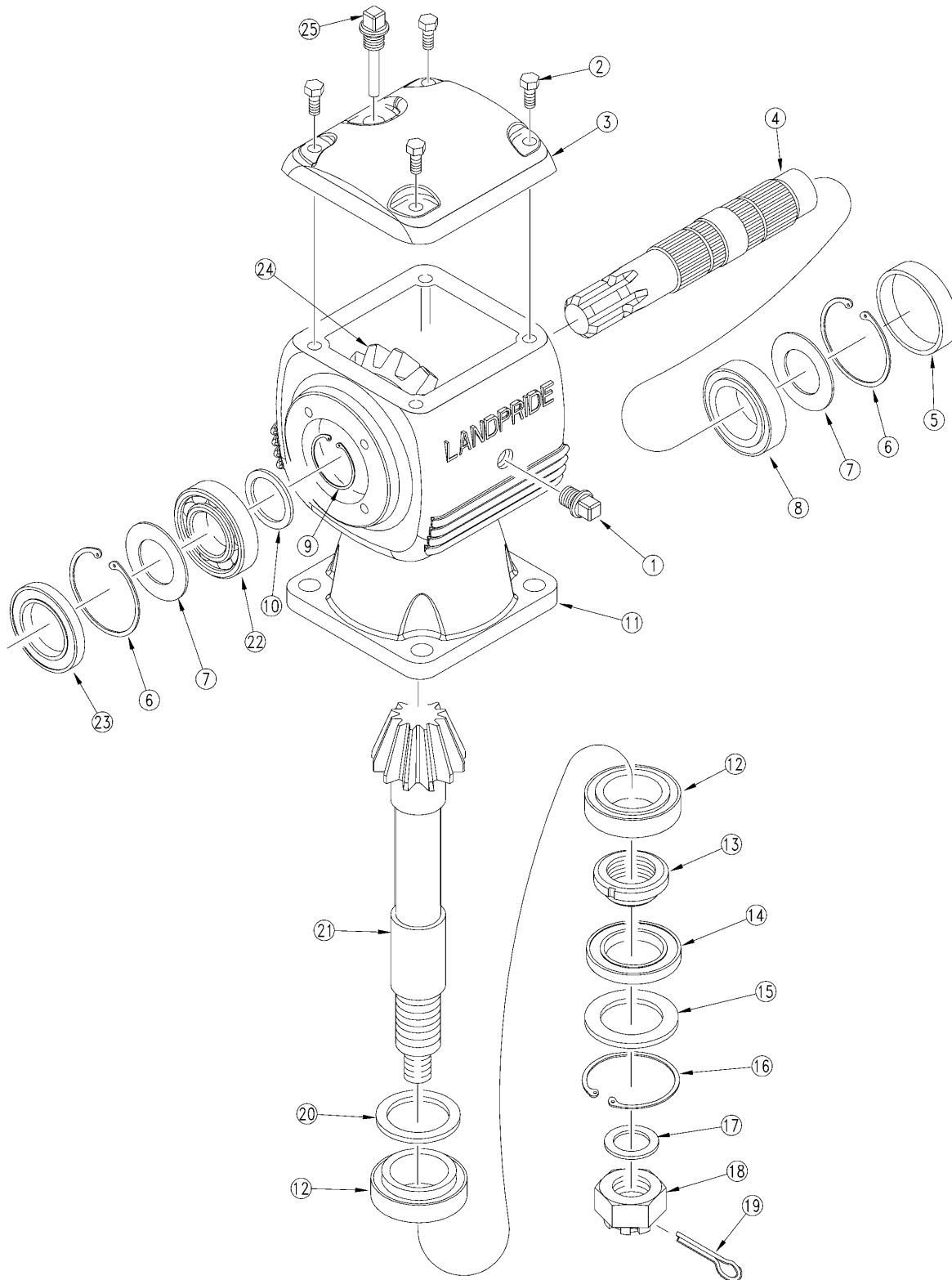
18706

Gearbox (826-296C) OMNI**Applies to AT3590**

Ref	Part No.	Part Description	Comments	Revision
	dwg18706	Drawing Image Number		
	826-296C	RC-25 1:2.8 CW 90 BOX(RC25HR)		
1.	110192	OMNI SCREW-5/16"-18UNC X 7/8"		
2.	130006	OMNI LOCKWASHR 5/16"SPLIT TYPE		
3.	020224	OMNI CAP-INPUT		
4.	070249	OMNI GASKET-INPUT 0.50MM		
5.	070248	OMNI GASKET-INPUT 0.30MM		
6.	070247	OMNI GASKET-INPUT 0.20MM		
7.	070246	OMNI GASKET-INPUT 0.10MM		
8.	060127	OMNI SEAL-INPUT CR13930		
9.	050170	OMNI BEARING CUP 30207		
10.	050172	OMNI BEARING CONE 30207		
11.	200140	OMNI RTNG. RING 38MM RC DSH-38		
12.	040491	OMNI SHAFT INPUT 1 3/8" - 6A		
13.	200141	OMNI RTNG. RING 38MM RC DSH-38		
14.	030457	OMNI GEAR INPUT, 34T		
15.	090181	OMNI SHIM INPUT 0.30MM		
16.	090180	OMNI SHIM INPUT 0.20MM		
17.	090179	OMNI SHIM INPUT 0.10MM		
18.	110009	OMNI SCREW-1/4"-20 UNC X 3/4"		
19.	130028	OMNI LOCKWASHR 1/4" SPLIT TYPE		
20.	240280	OMNI INSPECTION COVER		
21.	010252	OMNI HOUSING RC-25 SERIES		
22.	140047	OMNI PLUG SQ.HD.1/2-14NPT W/DP		
23.	140000	OMNI PIPE PLUG 1/2' SQ HEAD		
24.	030456	OMNI PINION-OUTPUT 12T		
25.	090182	OMNI SHIM OUTPUT 0.10MM		
26.	090183	OMNI SHIM OUTPUT 0.20MM		
27.	090184	OMNI SHIM OUTPUT 0.30MM		
28.	050197	OMNI BEARING CONE 30208		
29.	050195	OMNI BEARING CUP 30208		
30.	090185	OMNI SPACER OUTPUT		
31.	090186	OMNI SHIM OUTPUT 0.10MM		
32.	090187	OMNI SHIM OUTPUT 0.20MM		
33.	090188	OMNI SHIM OUTPUT 0.30MM		
34.	200000	OMNI RETAINING RING		
35.	070250	OMNI GASKET-OUTPUT 0.10MM		
36.	070251	OMNI GASKET-OUTPUT 0.20MM		
37.	070252	OMNI GASKET-OUTPUT 0.30MM		
38.	070253	OMNI GASKET-OUTPUT 0.50MM		
39.	060128	OMNI SEAL-OUTPUT CR15822		
40.	020225	OMNI CAP-OUTPUT		
41.	120050	OMNI NUT HEX SLOTTED, 1-14UNC		
42.	100001	OMNI COTTER PIN 5 X 50		
43.	140017	OMNI PLUG PIPE SQ HD1/8-27NPTF		
44.	090341	OMNI SPACER, INPUT		

Gearbox (826-326C) Comer

Applies to AT3590



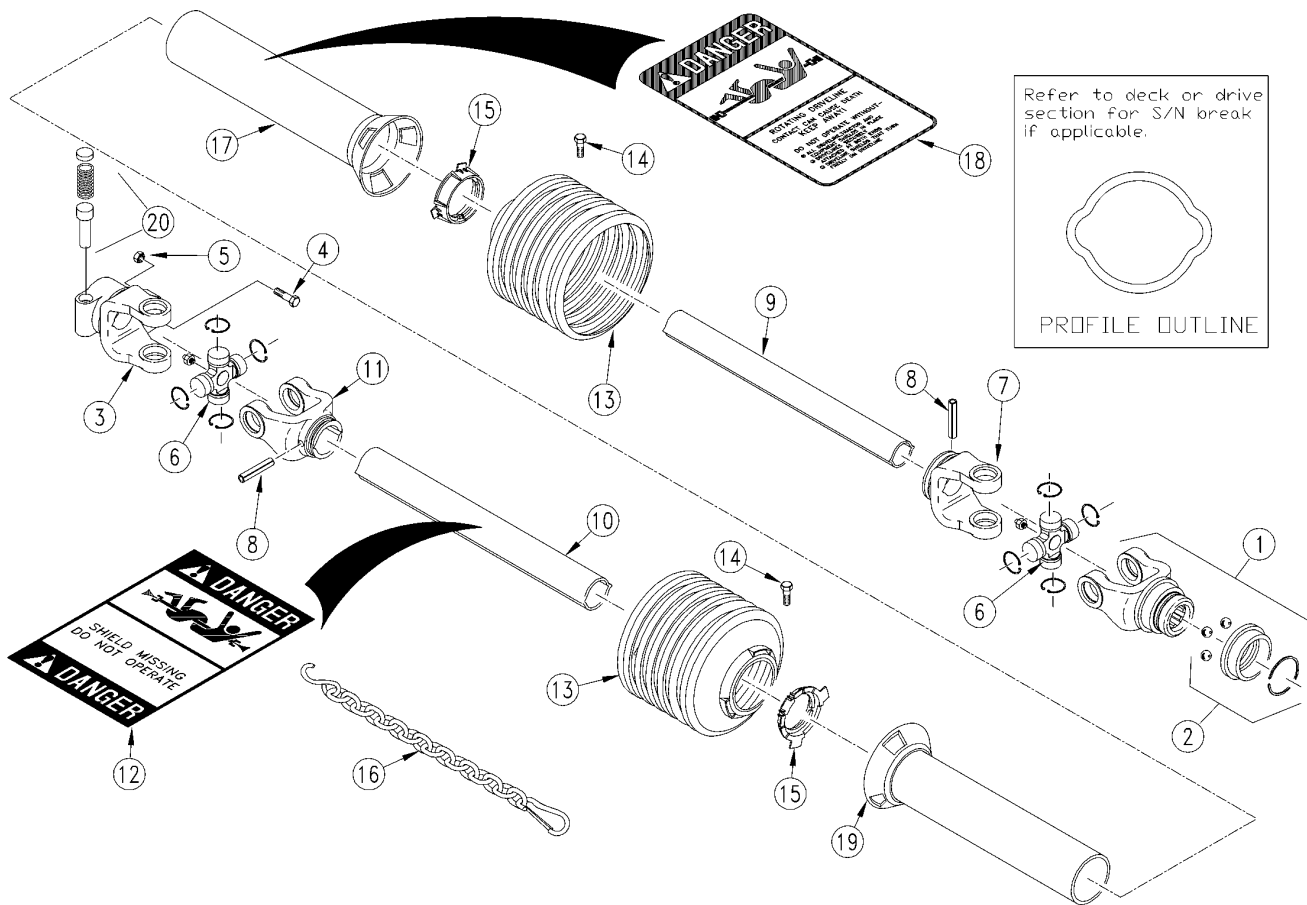
30000

Gearbox (826-326C) Comer**Applies to AT3590**

Ref	Part No.	Part Description	Comments	Revision
	dwg30000	Image Reference: 30000		
	826-326C	GBOX MOWER 50 HP 1:2.8 CW		
1.	8.6.5.00006	CO OIL PLUG 3/8		
2.	8.1.1.00501	CO BOLT M8X22 HHB		
3.	0.195.1300.00	CO COVER		
4.	0.195.2000.00	CO INPUT SHAFT 1" 3/8 Z6		
5.	8.7.0.00744	CO CAP 72 X 10		
6.	8.5.2.00131	CO SNAP RING INT 72 UN17437		
7.	A.248.500	COMER SHIM KIT 71.7		
8.	8.0.9.00026	CO ROLLER BEARING 30207 CL-B		
9.	8.5.1.00680	CO SNAP RING 40 UNI 7436		
10.	0.259.7525.00	CO SHIM 35.3 X 48 X 2.5		
11.	0.195.0300.00	CO HOUSING		
12.	8.0.9.00102	CO ROLLER BEARING 32208 CL-B		
13.	0.278.7103.00	CO NUT M40 X 1.5		
14.	8.7.3.00081	CO OIL SEAL 35 X 80 X 10 RTA35		
15.	1.195.7100.00	CO PROTECTIVE FLAT WASHER		
16.	8.5.3.00955	CO SNAP RING SB 81		
17.	8.3.2.00409	CO FLAT WASHER 25 X 44 X 4		
18.	8.2.2.01144	NUT CASTLE M 24 X 2		
19.	8.4.7.00516	CO COTTER PIN B5 X 50		
20.	A244.501	CO SHIM 40.3 X 51.5 826-067C		
21.	0.195.5000.00	CO PINION Z12 M4.7		
22.	822-166C	BEARING BALL 6207		
23.	8.7.3.00055	CO OIL SEAL 35 X 72 X 10		
24.	0.195.6000.00	CO CROWN GEAR Z33 M4.7		
25.	U0.195.7101.00	CO OIL LEVEL PLUG 3/8" GAS		

Driveline (826-057C) Walterscheid (Option)

Applies to AT3590



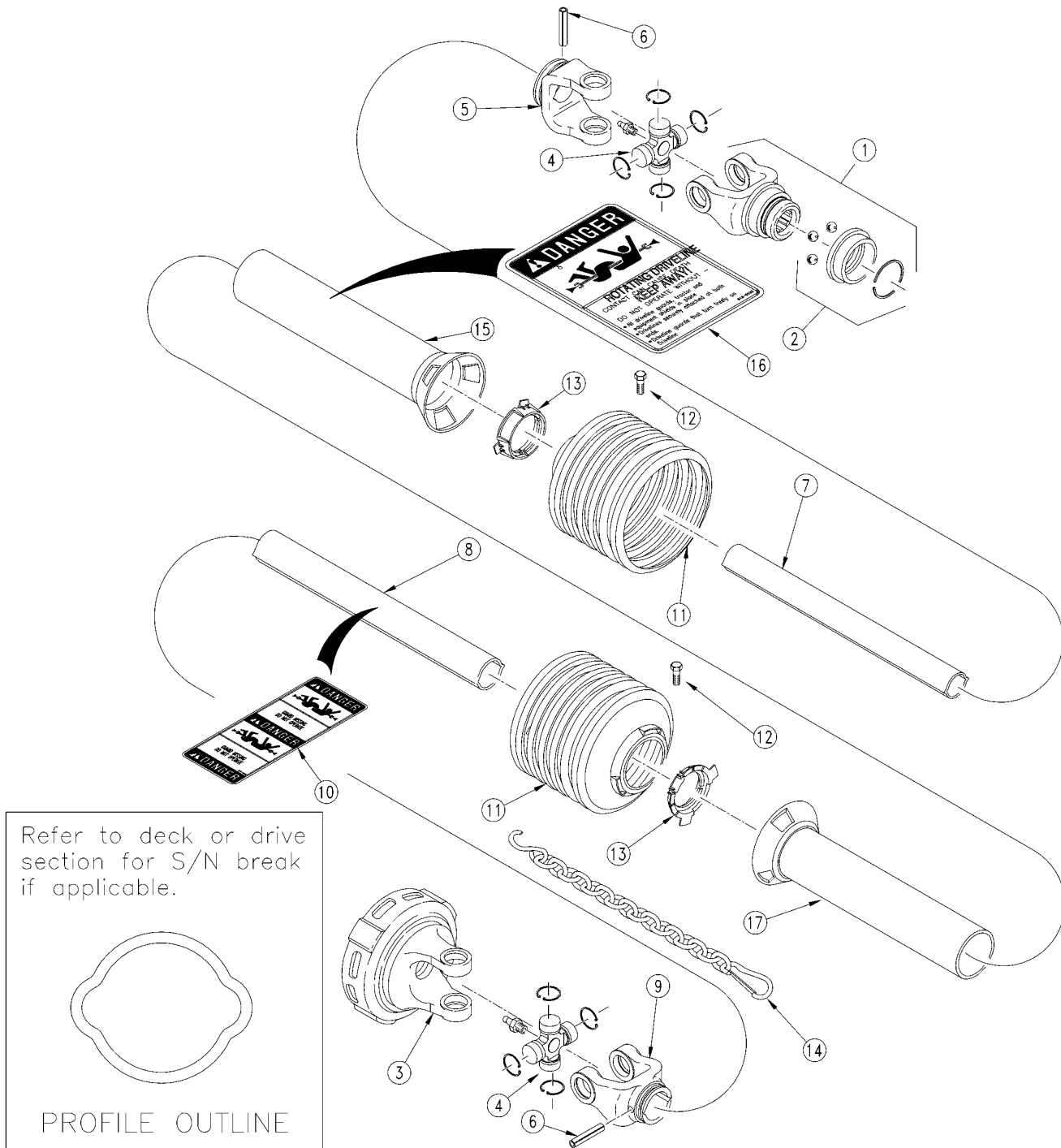
10492

Driveline (826-057C) Walterscheid (Option)**Applies to AT3590**

Ref	Part No.	Part Description	Comments	Revision
	dwg10492	Drawing Image Number		
	826-057C	RPBY 826-080C		
1.	380906	WALTERSHEID YOKE 1 3/8-6 SPL		
2.	381908	WS QUICK DISCONNECT KIT		
3.	335848	WS SHEARBOLT CLUTCH		
4.	802-115C	HHCS 5/16-18X2 GR5		
5.	803-011C	NUT LOCK 5/16-18 PLT		
6.	044444	WS CROSS & BRG KIT		
7.	041576	WS INBOARD YOKE		
8.	020616	WS SPRING PIN		
9.	059034	WS INNER PROFILE		
10.	085793	WS OUTER PROFILE		
11.	041577	WS INBORD YOKE		
12.	818-540C	DECAL DANGER GUARD MISS PTO		Rev. 2
12.	818-187C	DECAL DANGER DRIVELINE SHIELD		Rev 1; Use up stock
13.	377335	WS SHIELD CONE - 5 RIB		
14.	365305	WS SCREW		
15.	087276	WS BEARING RING - SC25		
16.	044321	DRIVELINE SHIELD SAFETY CHAIN		
17.	388087	WS SHIELD TUBE OUTER		
18.	818-552C	DECAL DANGER PTO DRIVELINE		Rev. 2
18.	818-142C	DECAL DANGER PTO DRIVELINE EN		Rev 1; Use up stock
19.	388088	WS INNER SHIELD		
20.	339107	WS Q.D. PIN KIT		

Driveline (826-080C) Walterscheid (S/N 209357- & S/N 236470+)

Applies to AT3590



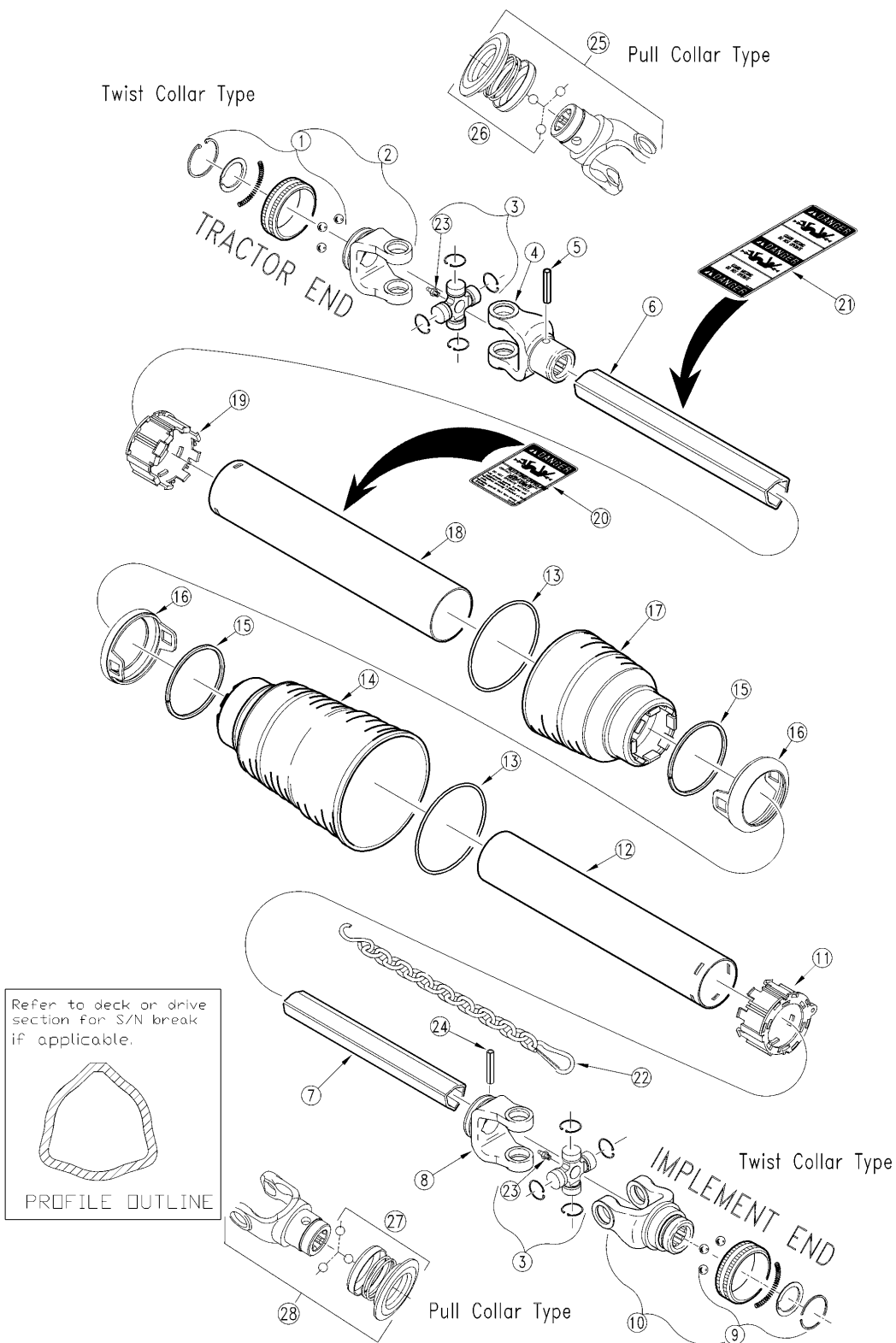
10886

Driveline (826-080C) Walterscheid (S/N 209357- & S/N 236470+)**Applies to AT3590**

Ref	Part No.	Part Description	Comments	Revision
	dwg10886	Drawing Image Number		
	826-080C	WS PTO 2300 W/FRICTION CLUTCH		
1.	196839	WS YOKE 1 3/8-6 SPL ASGE		Rev. 2
1.	380905	RPBY 196837		Rev 2; Use up stock
2.	390404	WS ASGE COLLAR KIT		Rev. 2
2.	381908	RPBY 390404		Rev 1; Use up stock
3.	317189	WS FRICTION CLUTCH		
4.	044444	WS CROSS & BRG KIT		
5.	041576	WS INBOARD YOKE		
6.	020616	WS SPRING PIN		
7.	059034	WS INNER PROFILE		
8.	085793	WS OUTER PROFILE		
9.	041577	WS INBORD YOKE		
10.	818-540C	DECAL DANGER GUARD MISS PTO		Rev. 2
10.	818-187C	DECAL DANGER DRIVELINE SHIELD		Rev 1; Use up stock
11.	377335	WS SHIELD CONE - 5 RIB		
12.	365305	WS SCREW		
13.	087276	WS BEARING RING - SC25		
14.	044321	DRIVELINE SHIELD SAFETY CHAIN		
15.	388087	WS SHIELD TUBE OUTER		
16.	818-552C	DECAL DANGER PTO DRIVELINE		Rev. 2
16.	818-142C	DECAL DANGER PTO DRIVELINE EN		Rev 1; Use up stock
17.	388088	WS INNER SHIELD		

Driveline (826-195C) EC New Shields (S/N 209358 to 236469)

Applies to AT3590



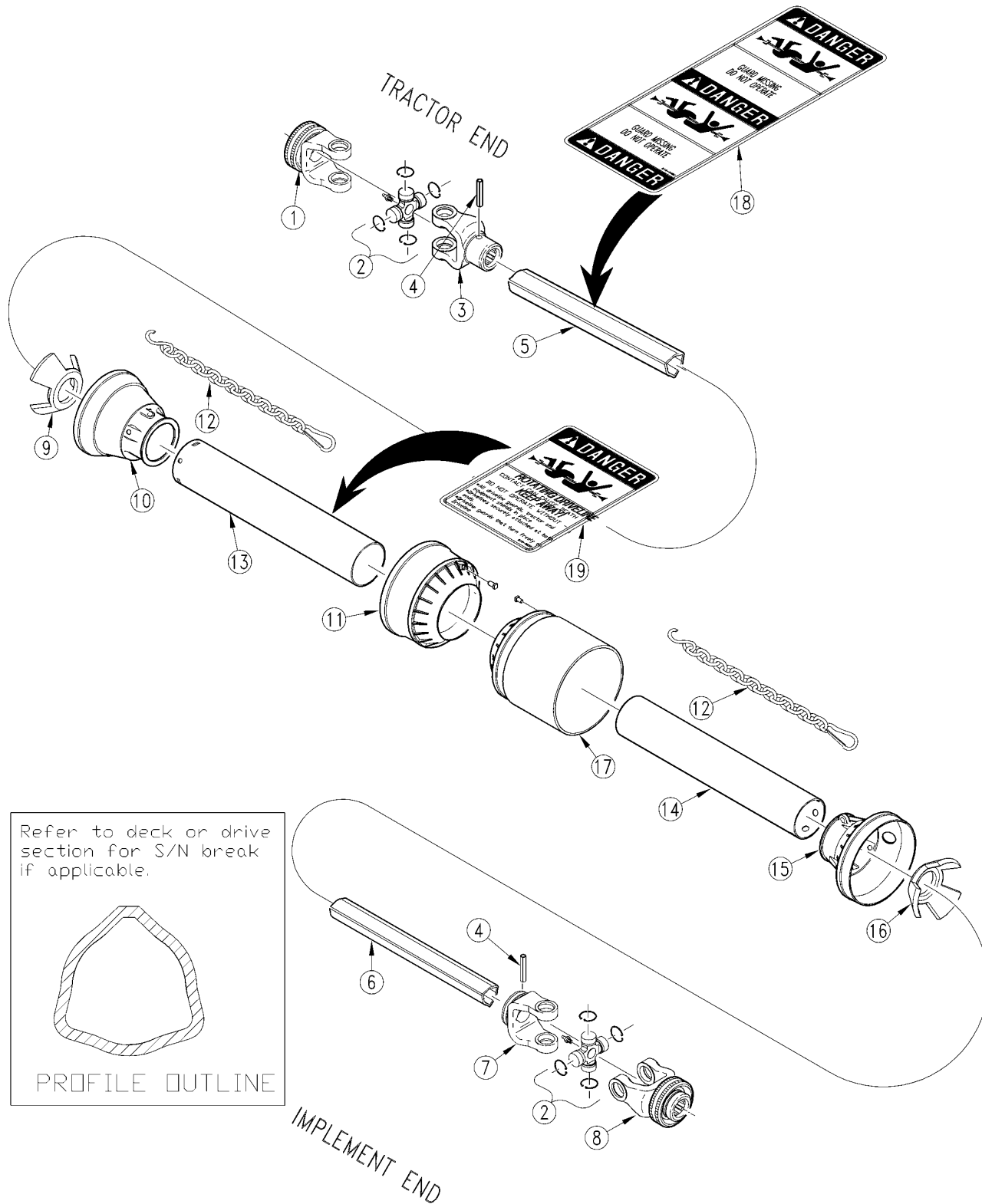
16074

Driveline (826-195C) EC New Shields (S/N 209358 to 236469)**Applies to AT3590**

Ref	Part No.	Part Description	Comments	Revision
	dwg16074	Drawing Image Number		
	826-195C	DRIVE CAT 4 W/O CLUTCH 55.36		
1.	1004220	EC TWIST COLLAR KIT (TRT. END)		
2.	1016010	EC YOKE ASSEMBLY (TRACT. END)		
3.	1006020	EC CROSS ASSEMBLY		
4.	1706027	EC OUTER TUBE YOKE		
5.	6331080	EC 10X80-DIN-1481 O/TUBE R/PIN		
6.	1528121	EC 1380MM OUTER TUBE		
7.	1526121	EC 1380MM INNER TUBE		
8.	1706029	EC INNER TUBE YOKE		
9.	1004224	EC TWIST COLLAR KIT (IMP. END)		
10.	1116010	EC YOKE ASSY 1 3/8-6(IMP. END)		
11.	1786711	EC TUBE BEARING (INNER TUBE)		
12.	1877094	EC INNER TUBE (1877111) 940MM		
13.	1215733	EC STIFFENING RING		
14.	1885704	EC LONG CONE		
15.	1215735	EC STOP RING		
16.	1885709	EC SAFETY SLEEVE		
17.	1885703	EC STANDARD CONE		
18.	1876094	EC OUTER TUBE (1876111) 940MM		
19.	1786710	EC TUBE BEARING (OUTER TUBE)		
20.	818-552C	DECAL DANGER PTO DRIVELINE		
21.	818-540C	DECAL DANGER GUARD MISS PTO		
22.	044321	DRIVELINE SHIELD SAFETY CHAIN		
23.	6560508	EC GREASE ZERK 8X1 45 DEG.		
24.	6331070	EC 10X70 ROLL PIN		
25.	1014012	EC YOKE ASSEMBLY		
26.	1004225	EC PULL COLLAR KIT		
27.	1014012	EC YOKE ASSEMBLY		
28.	1004225	EC PULL COLLAR KIT		

Driveline (826-195C) EC Old Shields (S/N 209358 to 236469)

Applies to AT3590



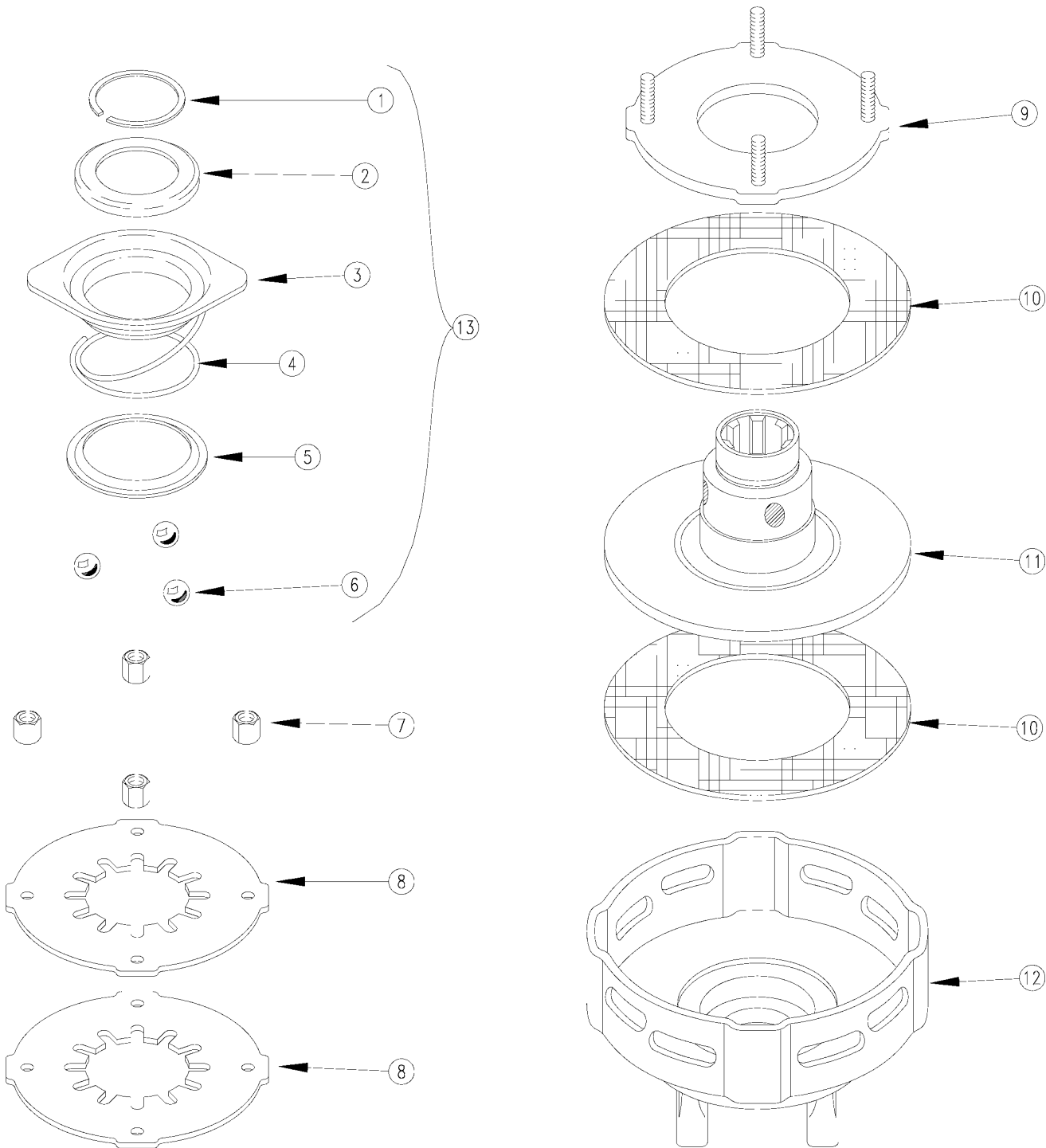
15386

Driveline (826-195C) EC Old Shields (S/N 209358 to 236469)**Applies to AT3590**

Ref	Part No.	Part Description	Comments	Revision
	dwg15386	Drawing Image Number		
	826-195C	DRIVE CAT 4 W/O CLUTCH 55.36		
1.	1016010	EC YOKE ASSEMBLY (TRACT. END)		
2.	1006020	EC CROSS ASSEMBLY		
3.	1706027	EC OUTER TUBE YOKE		
4.	6331080	EC 10X80-DIN-1481 O/TUBE R/PIN		
5.	1528121	EC 1380MM OUTER TUBE		
6.	1526121	EC 1380MM INNER TUBE		
7.	1706029	EC INNER TUBE YOKE		
8.	1116010	EC YOKE ASSY 1 3/8-6(IMP. END)		
9.	1786009	EC TUBE BEARING		
10.	1886010	EC OUTER TUBE RIGID CONE		
11.	1886013	EC SOFT CONE		
12.	044321	DRIVELINE SHIELD SAFETY CHAIN		
13.	1875096	EC OUTER TUBE (1875113) 960MM		
14.	1874096	EC INNER TUBE (1874113) 960MM		
15.	1886011	EC INNER TUBE RIGID CONE		
16.	1786008	EC TUBE BEARING		
17.	1886014	EC SOFT LONG CONE		
18.	818-540C	DECAL DANGER GUARD MISS PTO		
19.	818-552C	DECAL DANGER PTO DRIVELINE		

Driveline Slip Clutch (317189) Walterscheid

Applies to AT3590



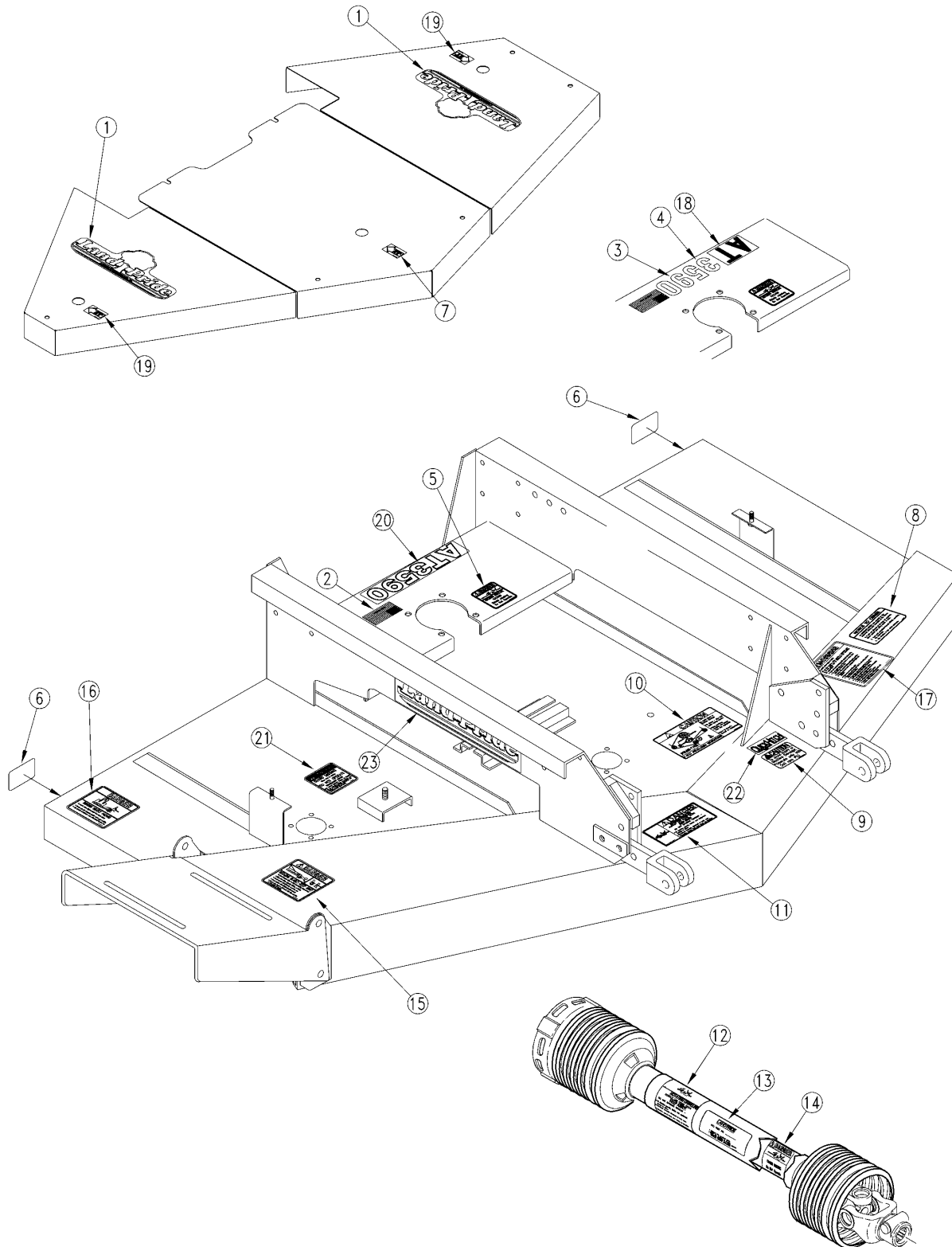
10139

Driveline Slip Clutch (317189) Walterscheid**Applies to AT3590**

Ref	Part No.	Part Description	Comments	Revision
	dwg10139	Drawing Image Number		
	317189	WS FRICTION CLUTCH		
1.	304149	WS SNAP RING		
2.	338531	WS FLANGED RING		
3.	045790	WS LOCK COLLAR		
4.	045793	WS COMPRESSION SPRNG		
5.	047825	WS BACK UP RING		
6.	020692	WS BALL		
7.	381957	WS HEX NUT M8		
8.	043489	WS BELLEVILLE SPRING		
9.	381495	WS THRUST PLATE		
10.	168556	WS FRICTION DISK		
11.	051551	WS HUB 1 3/8-6 SPL		
12.	185836	WS CLUTCH HOUSING		
13.	341953	WS Q.D. FLG. KIT		

Label Placement

Applies to AT3590



17598

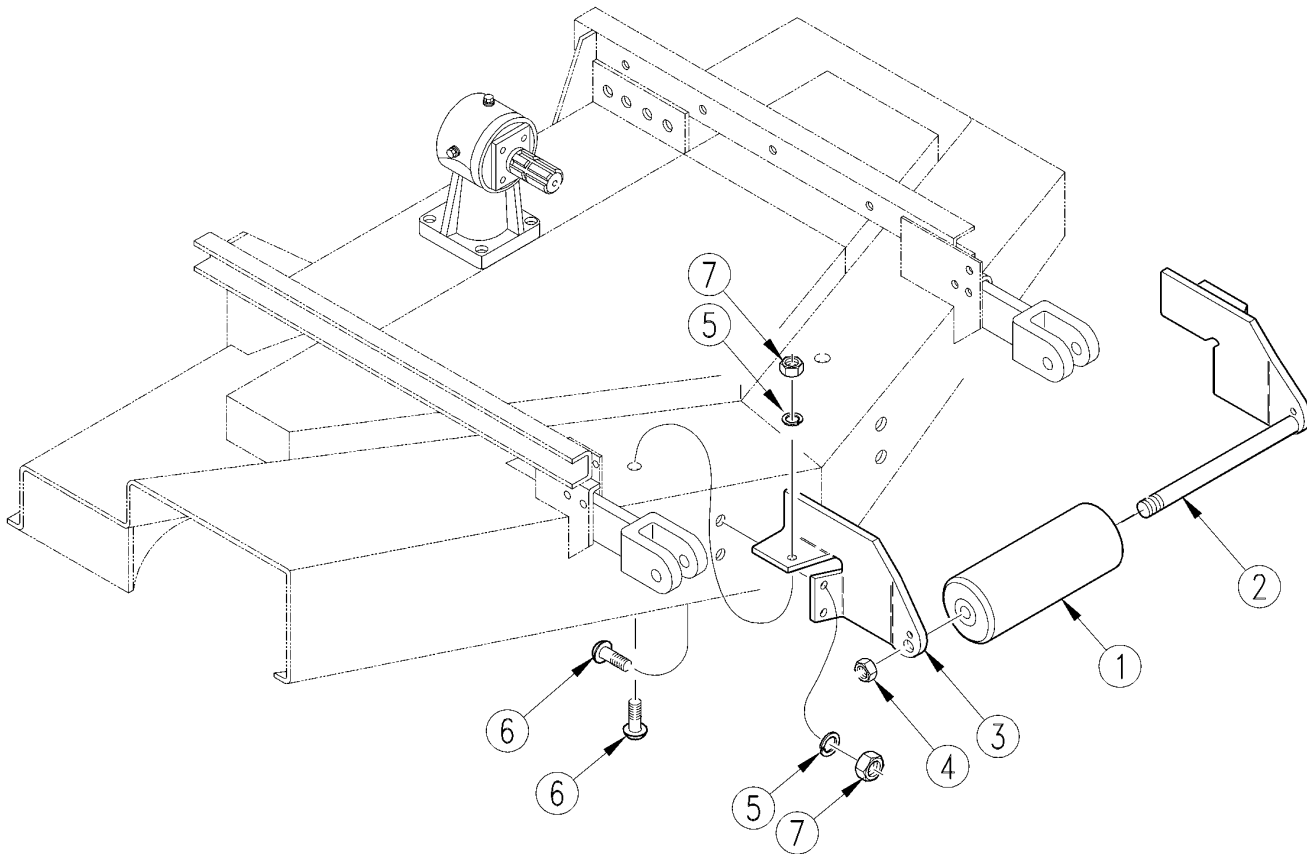
Label Placement

Applies to AT3590

Ref	Part No.	Part Description	Comments	Revision
	dwg17598	Drawing Image Number		
	310-135A	AT3590 SAFETY DECAL PACKAGE	Includes items 9, 15 & 16; two of items 5 and 11	
	310-136A	AT3590 DECAL PACKAGE	Includes items 2 through 4, 9, 10, 13, 15 and 16; two of items 1, 5, and 11; three of item 7	
1.	818-894C	DECAL LP W/TREE 16" - 3 COLOR		Rev. 2 not compat. w/Rev. 1
1.	818-165C	LP LOGO SMALL BUCKSKIN	(S/N 254750-)	Rev. 1
2.	818-190C	DECAL FLAG		
3.	818-236C	DECAL 90 LP-BLACK	(S/N 254750-)	
4.	818-086C	DECAL 35 SERIES LP - BLACK	(S/N 254750-)	
5.	818-187C	DECAL DANGER DRIVELINE SHIELD		
6.	818-230C	DECAL RED REFLECTOR		
7.	818-138C	DECAL GREASE EVERY 25 HOURS		
8.	818-560C	DECAL NOTICE TO OWNER-NO WARRA		
9.	818-130C	DECAL CAUTION 540 RPM		
10.	818-237C	DECAL 90WT V-BELT INSTALLATION		
11.	818-142C	DECAL DANGER PTO DRIVELINE EN		
12.	818-552C	DECAL DANGER PTO DRIVELINE		
13.	818-273C	DECAL PTO AT35 FRICTION CLUTCH		
13.	818-248C	DECAL PTO AT35 SHEAR BOLT		
14.	818-540C	DECAL DANGER GUARD MISS PTO		
15.	818-555C	DECAL DANGER ROTATE BLADE		Rev. 2
15.	818-140C	DECAL DANGER ROTATING BLADE		Rev 1; Use up stock
16.	818-556C	DECAL DANGER THROWN OBJ CUTTER		Rev. 2
16.	818-141C	DECAL DANGER THROWN OBJECT HAZ		Rev 1; Use up stock
17.	818-558C	DECAL WARNING GEN SAFE MOWER		
18.	818-728C	DECAL AT LAND PRIDE BLACK	(S/N 254750-)	
19.	818-298C	DECAL GREASE 25HRS BLACK/WHITE)		
20.	818-918C	DECAL AT3590-BROWN	(S/N 254751+)	
21.	818-543C	DECAL DANGER PD GUARD MISS SML	(S/N 254751+)	
22.	838-517C	DECAL QUICK HITCH SYSTEM		
23.	818-899C	DECAL LANDPRIDE 13.25" - BROWN		

Front Anti-Scalping Roller

Applies to AT3590



12471

Front Anti-Scalping Roller**Applies to AT3590**

Ref	Part No.	Part Description	Comments	Revision
	dwg12471	Drawing Image Number		
	310-111A	FRONT ROLLER BUNDLE-90		
1.	817-049C	4 X 10 ROLLER WHEEL		
2.	310-103H	L.H. FRONT ROLLER BRKT-90		
3.	310-263D	R.H. ROLLER BRKT.		
4.	803-114C	NUT LOCK 3/4-16 NYLOC COLLAR		
5.	804-013C	WASHER LOCK SPRING 3/8 PLT		
6.	801-043C	SCREW SLOTTED RD HD 3/8-16 X 1		
7.	803-014C	NUT HEX 3/8-16 PLT		



Part Number Index

The Part Number Index is a numeric index of all part numbers included in this manual. The index shows what page(s) the part is used on.

Part Number	Page	Part Number	Page	Part Number	Page	Part Number	Page
0.135.0301.00	135	050195	67, 69, 103, 105,	090186	67, 69, 103, 105,	1524084	113
0.135.2003.00	135		137, 139		137, 139	1524085	73, 111
0.135.5001.00	135	050197	67, 69, 103, 105,	090187	67, 69, 103, 105,	1525072	63, 109
0.135.6002.00	135		137, 139		137, 139	1525084	113
0.135.7101.00	135	051551	151	090188	67, 69, 103, 105,	1526121	147, 149
0.141.0330.00	47	054482	61		137, 139	1528121	147, 149
0.141.1300.00	47, 135	054484	61	090189	51, 53	1532308	57
0.141.2100.00	47	059034	143, 145	090190	51, 53	1532322	57
0.141.5000.00	47	06-012	49	090341	53, 67, 69, 103,	168556	151
0.141.6001.00	47	060127	47, 51, 53, 67,		105, 139	1702027	57
0.141.7100.00	47		69, 103, 105,	1.135.7100.00	135	1702029	57
0.195.0300.00	55, 71, 107, 141		137, 139	1.195.7100.00	55, 71, 107, 141	1703027	59, 73, 111
0.195.1300.00	55, 71, 107, 141	060128	51, 53, 67, 69,	10-002	49	1703029	59, 73, 111
0.195.2000.00	55, 71, 107, 141		103, 105, 137,	100001	42, 51, 53, 67,	1704027	63, 109, 113
0.195.5000.00	71, 107, 141		139		69, 98, 103, 105,	1704029	63, 109, 113
0.195.5001.00	55	07-001	49		137, 139	1706027	147, 149
0.195.6000.00	71, 107, 141	07-005	49	1002020	57	1706029	147, 149
0.195.6001.00	55	070246	51, 53, 67, 69,	1003020	59, 73, 111	172-242D	30, 33, 35, 41,
0.244.7500.00	135		103, 105, 137,	1004020	63, 109, 113		97, 127
0.259.7500.00	47		139	1004220	57, 59, 73, 111,	1772335	57
0.259.7525.00	55, 71, 107, 141	070247	51, 53, 67, 69,		147	1782016	57
0.278.7103.00	55, 71, 107, 141		103, 105, 137,	1004224	57, 59, 73, 111,	1782210	57
010175	51, 137		139		147	1782211	57
010252	53, 67, 69, 103,	070248	51, 53, 67, 69,	1004225	63, 73, 109, 147	1784210	59, 63, 73, 109,
	105, 139		103, 105, 137,	1004227	113		111, 113
02-035	49		139	1006020	147, 149	1784211	59, 63, 73, 109,
020224	51, 53, 67, 69,	070249	51, 53, 67, 69,	1006065	63, 109		111, 113
	103, 105, 137,		103, 105, 137,	1012010	57	1784212	57, 59, 63, 73,
	139		139	1013010	59, 73, 111		109, 111, 113
020225	51, 53, 67, 69,	070250	51, 53, 67, 69,	1014012	63, 73, 109, 147	1786008	149
	103, 105, 137,		103, 105, 137,	1014013	113	1786009	149
	139		139	1016010	147, 149	1786710	147
020614	61	070251	51, 53, 67, 69,	11-007	49	1786711	147
020616	65, 143, 145		103, 105, 137,	110009	51, 53, 67, 69,	18-021	49
020692	151		139		103, 105, 137,	185836	151
03-036	49	070252	51, 53, 67, 69,		139	1872027	113
03-037	49		103, 105, 137,	110192	51, 53, 67, 69,	1872064	59, 63, 109
030456	67, 69, 103, 105,		139		103, 105, 137,	1872065	57
	137, 139	070253	51, 53, 67, 69,		139	1872077	73, 111
030457	67, 69, 103, 105,		103, 105, 137,	1112010	57	1873027	113
	137, 139		139	1113010	59, 73, 111	1873064	59, 63, 109
030458	51, 53	08-004A	49	1116010	147, 149	1873065	57
030459	51, 53	08-004B	49	1140001	63, 109	1873077	73, 111
04-003	49	08-005A	49	1140003	63, 109	1874096	149
04-004	49	08-005B	49	120050	41, 51, 53, 67,	1875096	149
040335	51, 137	085793	143, 145		69, 97, 103, 105,	1876094	147
040491	53, 67, 69, 103,	087276	65, 143, 145		127, 137, 139	1877094	147
	105, 139	087279	61	1213233	63, 109, 113	1882348	57
041065	61	09-002	49	1215733	147	1883013	57
041068	61	09-008	49	1215735	147	1883014	57
041576	65, 143, 145	09-009	49	123-004D	47	1883230	57
041577	143, 145	090179	51, 53, 67, 69,	130006	51, 67, 69, 103,	1883231	57
043489	151		103, 105, 137,		105, 137, 139	1884201	57, 59, 63, 73,
044321	57, 59, 61, 63,	090180	51, 53, 67, 69,	130028	51, 53, 67, 69,		109, 111, 113
	65, 73, 109, 143,		103, 105, 137,		103, 105, 137,	1884202	57, 59, 63, 73,
	145, 147, 149		139	140000	51, 67, 69, 103,		109, 111, 113
044439	61		139		105, 137, 139	1884203	57, 59, 63, 73,
044444	65, 143, 145	090181	51, 53, 67, 69,	140017	51, 53, 67, 69,		109, 111, 113
045790	151		103, 105, 137,		103, 105, 137,	1884205	57, 59, 63, 73,
045793	151		139		139		109, 111, 113
047825	151	090182	51, 53, 67, 69,		139	1885703	147
05-002	49		103, 105, 137,	140033	51, 53, 137	1885704	147
05-005	49		139	140047	51, 53, 67, 69,	1885709	147
050006	51, 53	090183	51, 53, 67, 69,		103, 105, 137,	1886010	149
050007	49, 51, 53		103, 105, 137,		139	1886011	149
050170	67, 69, 103, 105,		139	1522073	57	1886013	149
	137, 139	090184	51, 53, 67, 69,	1523072	59	1886014	149
050172	67, 69, 103, 105,		103, 105, 137,	1523073	57	196839	145
	137, 139		139	1523085	73, 111	20-003	49
		090185	67, 103, 137, 139	1524072	59, 63, 109	20-007	49

Table of Contents Part Number Index



Part Number Index (continued)

Part Number	Page	Part Number	Page	Part Number	Page	Part Number	Page
200000	51, 53, 67, 69, 103, 105, 137, 139	310-137S	25, 33	310-329H	23, 85	390404	145
200140	51, 53, 67, 69, 103, 105, 137, 139	310-138S	25, 35	310-330H	41, 97	44321	111, 113
200141	51, 53, 67, 69, 103, 105, 137, 139	310-142H	11, 13	310-331D	25, 29, 42, 47, 49, 98, 128	506-4R-I	89
21-012	49	310-149H	17, 39, 95	310-331S	41, 97	53-164	19, 87, 121
240280	51, 53, 67, 69, 103, 105, 137, 139	310-150H	119	310-332D	13	53-180	121
304149	151	310-161S	25, 33	310-332D	13	53-182	19, 87
310-003H	17	310-162S	25, 35	310-333D	13	53-189	19, 121
310-012D	9, 11, 13, 23, 85, 117	310-179A	33, 35	310-354S	39, 95	6330855	57, 63, 73, 109, 111, 113
310-014H	17	310-185D	9, 11	310-355H	39, 95	6330860	57, 59, 63, 73, 109, 111, 113
310-015D	9, 11, 13, 23, 85, 117	310-212H	9, 11, 13, 23, 85, 117	310-359D	119	6330865	59
310-017S	17, 39, 95	310-213A	77, 115	310-361D	30, 33, 35	6331070	147
310-019H	9, 11, 13, 23, 85, 117	310-214A	77, 115	310-413V	41, 97	6331080	147, 149
310-020S	9, 11, 13, 23, 85, 117	310-218D	117	310-414V	41, 97	6560508	147
310-024D	17, 39, 95	310-218D	117	310-415V	41, 97	8.0.1.00000	47, 135
310-025D	17	310-221D	117	310-432D	117	8.0.1.00870	47, 135
310-028H	9, 13	310-224D	30, 33, 35, 127, 131, 133	310-437D	11	8.0.1.00871	135
310-032D	33, 35	310-225D	127, 131, 133	310-438D	11	8.0.9.00026	55, 71, 107, 141
310-033D	33, 35	310-226D	123, 127	310-442D	13	8.0.9.00102	55, 71, 107, 141
310-036D	33, 35	310-227D	41, 97, 124, 128	310-443D	13	8.1.1.00501	55, 71, 107, 141
310-041D	25, 29	310-228D	123	310-451D	117	8.2.2.00515	123, 135
310-042D	33	310-228S	127	310-452D	117	8.2.2.01144	25, 29, 47, 55, 71, 107, 141
310-042H	9	310-230D	117	310-454D	30, 41, 97	8.3.2.00409	25, 29, 47, 55, 71, 107, 123, 135, 141
310-043D	26, 33, 35	310-231D	117	310-456D	128	8.4.1.00889	47
310-049D	123, 127	310-231H	117	310-457D	30, 41, 97, 128	8.4.1.00993	135
310-050S	79	310-232D	123, 127	310-474D	23, 85	8.4.7.00516	55, 71, 107, 141
310-051D	25, 29	310-232D	123, 127	310-475D	23, 85	8.5.1.00005	47
310-055H	79	310-233D	123	310-493D	45, 101	8.5.1.00029	135
310-064S	17	310-235H	117	310-494D	45, 101	8.5.1.00680	55, 71, 107, 141
310-067D	9, 11, 13	310-236D	131	310-550D	15, 81	8.5.2.00030	135
310-067H	9, 11	310-241D	117	310-551D	15, 81	8.5.2.00131	47, 55, 71, 107, 141
310-068D	9, 11, 13, 117	310-241H	11	310-562D	21, 83	8.5.3.00915	47
310-070H	9	310-242D	133	310-563D	21, 83	8.5.3.00955	55, 71, 107, 135, 141
310-074A	75	310-243H	13	310-578D	21, 83	8.5.3.01057	47, 135
310-075A	75	310-247H	117	310-579D	21, 83	8.6.5.00006	47, 55, 71, 107, 141
310-086A	75	310-248D	123, 127	310-580D	69, 105	8.6.6.00201	135
310-088H	25, 29	310-248S	30, 41, 97	310-581D	69, 105	8.7.0.00693	47, 135
310-090H	119	310-249D	119	310-582D	69, 105	8.7.0.00744	55, 71, 107, 141
310-091H	117	310-249S	30, 41, 97	310-583D	23, 85	8.7.1.00152	47
310-092H	117	310-250D	119	310-584D	23, 85	8.7.1.01171	135
310-093H	123, 127	310-250S	128	310-597D	23, 85	8.7.3.00028	47, 135
310-094H	123, 127	310-251D	119	310-630D	30, 41, 97	8.7.3.00081	55, 71, 107, 141
310-095H	123, 127	310-252D	119	310-632D	128	8.7.3.01172	135
310-097S	123, 127, 133	310-256D	123, 127	315-291S	39, 95	8.7.6.01058	47, 135
310-100S	119	310-260D	123	315-300H	39, 95	800-001C	17, 30, 39, 41, 95, 97, 119, 128
310-103H	155	310-261S	41, 97	315-341V	127	800-006C	9
310-104V	17	310-263D	155	315-358D	123	800-013C	9
310-105D	9	310-264D	119	315-375S	29	800-075C	33, 35, 131, 133
310-105S	17, 39, 95	310-265D	123	315-378S	29	800-099C	123, 127
310-106D	9	310-266H	15, 81	315-823D	41, 97	800-100C	17, 39, 95
310-110S	123, 127, 131	310-290H	23, 85	317189	145, 151	800-114C	11, 13
310-111A	155	310-291H	41, 97	335848	143	800-115C	11, 13
310-113H	123	310-292S	41, 97	338531	151	800-116C	11, 13
310-114H	117	310-295S	39, 95	339107	143	800-157C	30, 127
310-123D	9, 13	310-296H	39, 95	341953	151	800-163C	11, 13
310-126D	35	310-299D	33, 35	364859	65	800-193C	30, 128
310-128D	79	310-300D	30, 33, 35, 42, 98	365305	61, 65, 143, 145	800-320C	11, 13, 23, 85, 117
310-132S	25, 33	310-306D	123	377234	61	801-041C	9, 11, 13, 117
310-135A	153	310-310D	17	377340	65, 143, 145	801-043C	79, 155
310-136A	153	310-312D	33	380905	61, 145	802-004C	9, 11, 13, 117
		310-314S	39, 95	380906	65, 143	802-005C	23, 85
		310-315D	11, 13	381178	65		
		310-316D	11, 13	381495	151		
		310-317S	15, 81	381908	61, 65, 143, 145		
		310-318A	77, 115	381957	151		
		310-321H	23, 85	382877	65		
		310-322S	41, 97	382878	65		
		310-323H	41, 97	382878	65		
		310-326S	39, 95	387266	61		
		310-327H	39, 95	387332	61		
		310-328D	17, 39, 95	388087	143, 145		
		310-329D	17, 39, 95	388088	143, 145		



Part Number Index (continued)

Part Number	Page	Part Number	Page	Part Number	Page	Part Number	Page
802-007C	117, 128	803-255C	23, 85	814-070C	119, 121	818-555C	75, 77, 115, 153
802-015C	15, 81	803-263C	21, 23, 42, 45, 83, 85, 98, 101	814-071C	17, 19, 39, 87, 95	818-556C	75, 77, 115, 153
802-036C	119, 124, 127	803-308C	39, 41, 95, 97, 127	814-114C	119, 121	818-557C	75
802-078C	13	804-006C	13, 117	814-144C	39, 89, 95	818-558C	75, 77, 115, 153
802-095C	39, 95	804-007C	9, 11, 13, 23, 85, 117	814-146C	17	818-560C	75, 77, 115, 153
802-099C	17	804-009C	53, 117, 123, 128	814-188C	17, 39, 93, 95	818-728C	75, 153
802-115C	123, 143	804-010C	117, 128	814-191C	39, 89, 95	818-862C	77, 115
802-149C	21, 83	804-013C	17, 155	814-193C	119, 121	818-890C	77, 115
802-151C	42, 98	804-014C	26, 29, 41, 79, 97, 123, 127	814-271C	37, 39, 91, 95	818-892C	75
802-159C	117	804-015C	17, 26, 33, 35, 39, 41, 95, 97, 119, 123, 127	814-272C	119, 121	818-894C	153
802-203C	42, 98	804-019C	45, 101	816-004C	117	818-899C	75, 77, 115, 153
802-207C	25, 29, 123	804-021C	45, 101	816-063C	25, 29	818-916C	75
802-224C	9	804-022C	9, 11, 13, 23, 25, 29, 41, 85, 97, 117, 123, 127	816-064C	25	818-917C	75
802-229C	25, 29, 41, 97, 123, 127	804-025C	15, 33, 35, 81, 131, 133	816-072C	9, 117	818-918C	153
802-233C	25, 123	804-029C	127	816-101C	123, 127	822-006C	30, 33, 35, 41, 97
802-237C	25, 29	804-080C	17	816-116C	41, 97	822-045C	37, 89, 91
802-239C	25, 29	804-093C	30, 33, 35, 41, 97, 127, 131, 133	816-141C	25, 29	822-050C	37, 89, 91
802-240C	127	804-110C	26, 29, 33, 35, 42, 98	816-298C	11, 13, 21, 42, 83, 98, 117	822-096C	127, 131, 133
802-241C	9	804-174C	17	816-308C	41, 97	822-161C	30, 33, 35, 41, 97
802-242C	9, 11, 13, 117	805-010C	123	816-338C	41, 97	822-162C	127, 131, 133
802-243C	17	805-015C	9, 11, 13, 23, 85, 117, 119	816-504C	23, 85	822-166C	47, 49, 51, 53, 55, 71, 107, 141
802-245C	17	805-016C	15, 81	817-028C	25, 29	822-188C	49, 51, 53
802-246C	9, 11, 13, 25, 41, 97, 117, 123, 127	805-017C	25, 29, 47, 49, 123, 127, 135	817-048C	17, 39, 95	826-011C	25, 47
802-302C	123	805-065C	17, 119	817-049C	15, 79, 81, 155	826-012C	26, 29, 42, 57, 59, 61, 98
802-303C	124	805-069C	123	817-050C	25, 29, 123, 127	826-055C	123, 135
802-304C	117	805-126C	17, 39, 95, 119	817-192C	11, 13	826-057C	124, 143
802-305C	119	805-140C	9, 11, 13, 23, 85, 117	817-259C	117	826-058C	123, 135
802-306C	123, 127	805-141C	9, 117	817-358C	21, 83	826-064C	26, 29, 42, 63, 65, 98, 109
802-307C	23, 85, 123, 127	805-142C	9, 11, 13, 23, 85, 117	817-408C	21, 83	826-080C	124, 128, 145
802-308C	17	805-143C	9, 11, 13, 23, 85, 117	817-409C	21, 83	826-081C	25, 47, 49
802-314C	123	807-050C	123, 127	817-412C	21, 83	826-195C	128, 147, 149
802-320C	123, 127	807-068C	25, 29, 45, 101, 123	817-427C	21, 83	826-203C	25, 29, 51
802-326C	26, 33, 35	807-189C	21, 83	817-428C	21, 83	826-206C	127, 137
802-329C	42, 98, 127	808-073C	25, 29	817-429C	21, 83	826-240C	128
802-350C	17, 39, 95	808-074C	25, 29	817-436C	21, 83	826-293C	53
802-384C	26, 29, 33, 35, 42, 98	808-075C	30, 33, 35, 41, 97	817-437C	21, 83	826-296C	41, 67, 97, 103, 139
802-567C	25, 29, 123, 127	808-076C	25, 29, 41, 97	818-085C	75	826-297C	42, 73, 98, 111, 113
802-657C	23, 45, 85, 101	808-077C	25, 29	818-086C	153	826-311C	41, 69, 97, 105
802-658C	39, 95	808-106C	127, 131, 133	818-090C	75	826-325C	29, 55
802-668C	45, 101	808-107C	123, 127	818-092C	75	826-326C	41, 71, 97, 107, 127, 141
802-688C	21, 83	808-108C	123	818-130C	75, 77, 115, 153	827-001C	17, 39, 95
802-692C	21, 83	808-126C	25, 29, 41, 97	818-138C	75, 77, 115, 153	827-002C	17, 39, 95
802-695C	29, 42, 98	808-127C	30, 33, 35, 41, 97	818-139C	75	838-063C	77, 115
802-699C	127	808-128C	25, 29	818-140C	153	838-260C	77, 115
803-006C	25, 123	808-129C	25, 29, 42, 45, 98, 101	818-141C	153	838-262C	77, 115
803-007C	9, 11, 13, 117	808-231C	127	818-142C	75, 77, 115, 143, 145, 153	838-272C	77, 115
803-011C	123, 143	808-268C	127, 131, 133	818-144C	75	838-277C	77, 115
803-014C	25, 29, 45, 79, 101, 123, 127, 155	808-333C	41, 97	818-162C	75	838-300C	77, 115
803-018C	17, 39, 41, 95, 97, 119, 123, 127	808-334C	29	818-165C	75, 153	838-339C	77, 115
803-020C	17	808-335C	29, 41, 97	818-187C	143, 145, 153	838-517C	75, 77, 115, 153
803-022C	9, 11, 13, 23, 25, 29, 41, 85, 97, 117, 123, 127	808-337C	127	818-190C	75, 77, 115, 153	87010	17, 39, 95
803-024C	123, 127	811-320C	49	818-230C	75, 77, 115, 153	87040	17, 93
803-025C	15, 39, 81, 95	814-057C	17	818-236C	153	87410	17, 39, 93, 95
803-037C	39, 41, 95, 97			818-237C	153	87413	87
803-114C	30, 33, 35, 41, 79, 97, 127, 131, 133, 155			818-248C	153	890-163C	33, 35, 131, 133
803-115C	25, 29, 41, 97, 123, 127			818-249C	75	890-171C	25, 29, 41, 97
803-119C	25, 29			818-273C	153	890-172C	25, 29, 41, 97
803-146C	17			818-298C	75, 77, 115, 153	890-187C	119
803-184C	35, 131			818-540C	57, 59, 61, 63, 65, 73, 75, 77, 109, 111, 113, 115, 143, 145, 147, 149, 153	890-189C	17, 39, 95
803-198C	21, 83					890-200C	25, 29, 41, 97
						890-202C	119
						890-204C	25, 29, 41, 97
						890-205C	123, 127
						890-223C	123, 127
						890-318C	25, 29, 41, 97



Part Number Index (continued)

<u>Part Number</u>	<u>Page</u>	<u>Part Number</u>	<u>Page</u>
890-375C	25, 29, 41, 97	dwg30000	141
890-533C	123, 127	GS-3	37, 89, 91
890-641C	45, 101	HSS-34	37, 89, 91
890-675C	42, 98	RT-3414	87
890-684C	41, 97	U0.195.7101.00	55, 71, 107, 141
890-685C	42, 98		
890-698C	25, 29, 41, 97		
890-702C	25, 29, 41, 97		
890-704C	123, 127		
890-706C	42, 98		
95316	87		
990-109R	30, 128		
A.248.500	71, 107, 141		
A.248.7500	55		
A.259.500	47		
A244.501	55, 71, 107, 135, 141		
BF-1506	87		
dwg10139	151		
dwg10333	133		
dwg10433	131		
dwg10482	117		
dwg10483	123		
dwg10484	135		
dwg10485	119		
dwg10492	143		
dwg10499	89		
dwg10508	47		
dwg10606	17		
dwg10824	61		
dwg10827	9		
dwg10886	145		
dwg11754	25		
dwg12471	155		
dwg13457	65		
dwg13629	19, 87		
dwg13631	121		
dwg13996	49		
dwg14161	11		
dwg14162	13		
dwg15044	35		
dwg15045	33		
dwg15220	73		
dwg15386	149		
dwg15934	137		
dwg16020	51		
dwg16074	147		
dwg16479	127		
dwg16499	29		
dwg17598	153		
dwg17714	93		
dwg18705	53		
dwg18706	139		
dwg18881	23, 85		
dwg18882	15, 81		
dwg18883	21, 83		
dwg18884	39, 95		
dwg18885	45, 101		
dwg18886	41, 97		
dwg18887	77, 115		
dwg18948	67, 103		
dwg19549	55, 71, 107		
dwg19602	69, 105		
dwg22053	75		
dwg22054	79		
dwg22224	63		
dwg2224	109		
dwg22240	37, 91		
dwg22243	57, 59		
dwg26647	111		
dwg26648	113		



Great Plains Manufacturing, Inc.

Corporate Office: P.O. Box 5060
Salina, Kansas 67402-5060 USA

www.landpride.com

Free Manuals Download Website

<http://myh66.com>

<http://usermanuals.us>

<http://www.somanuals.com>

<http://www.4manuals.cc>

<http://www.manual-lib.com>

<http://www.404manual.com>

<http://www.luxmanual.com>

<http://aubethermostatmanual.com>

Golf course search by state

<http://golfingnear.com>

Email search by domain

<http://emailbydomain.com>

Auto manuals search

<http://auto.somanuals.com>

TV manuals search

<http://tv.somanuals.com>