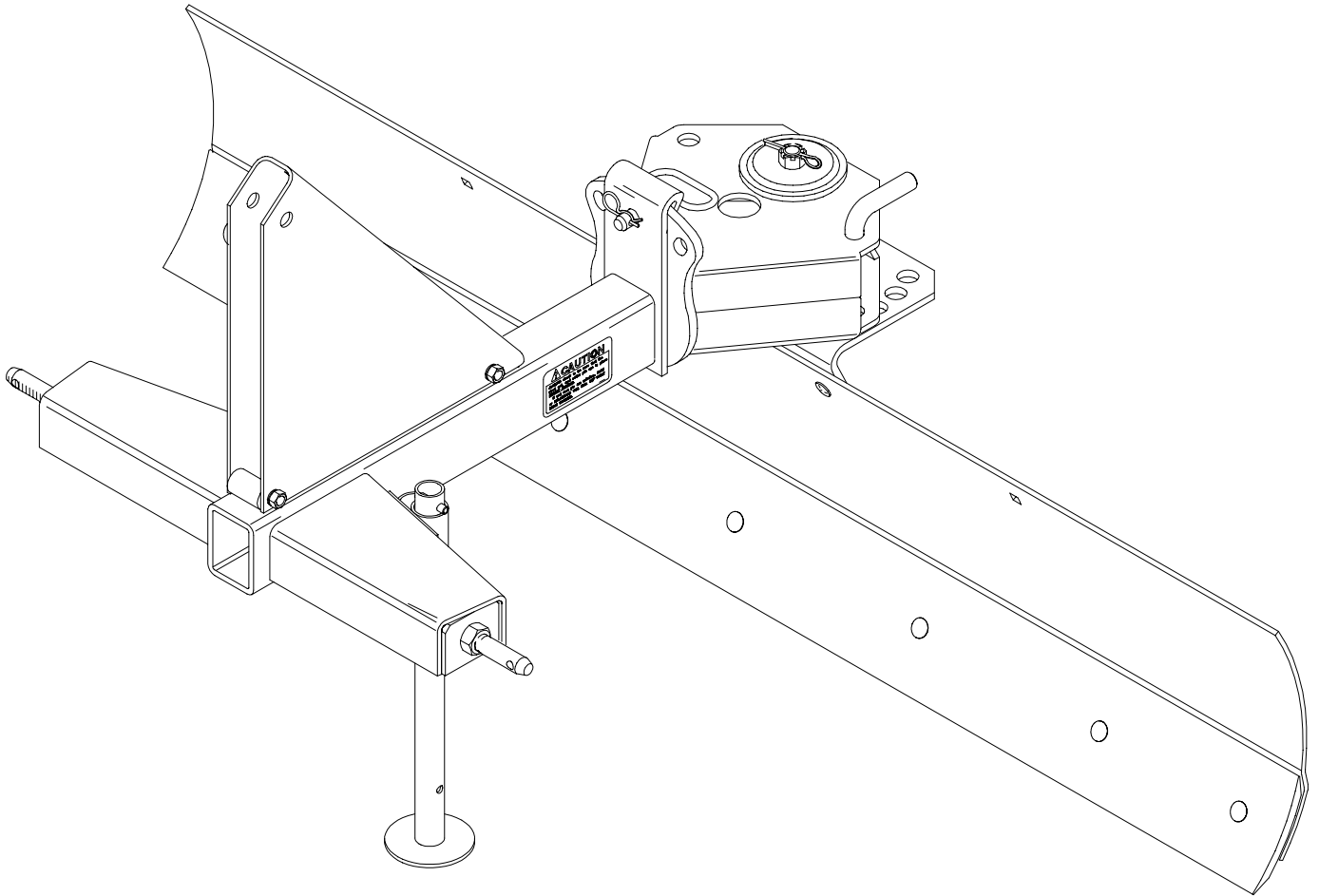


Rear Blades

RBT1560, RBT1572 & RBT1584



12017

301-144M Operator's Manual



Read the Operator's manual entirely. When you see this symbol, the subsequent instructions and warnings are serious - follow without exception. Your life and the lives of others depend on it!

© Copyright 2007 Printed 2/01/07

Cover photo may show optional equipment not supplied with standard unit.



Important Safety Information	1	Section 4: Maintenance & Lubrication . .	10
Safety at All Times	1	Maintenance	10
Look For The Safety Alert Symbol	1	Lubrication Points	10
Safety Labels	4	Moldboard and Blade	10
Introduction	5	Pivot Shaft	10
Application	5	Section 5: Options	11
Using This Manual	5	Skid Shoes	11
Terminology	5	Side Plates	11
Definitions	5	Rake Attachment	11
Owner Assistance	5	Storage Stand	11
Serial Number Plate	5	Section 6: Specifications & Capacities .12	
Further Assistance	6	RBT15 Series	12
Section 1: Assembly & Set-up	7	RBT15 Series Rear Blades	13
RBT15 Rear Blades	7	Section 7: Features and Benefits	13
3-Point Hook-Up	7	Section 8: Appendix	14
Section 2: Adjustments	8	Torque Values Chart	14
Angling and reversing	8	Warranty	15
Pitch	8		
Blade Tilt	8		
Blade Offset	8		
Section 3: Operating Procedures	9		
Operating Check List	9		
Transporting	9		
General Operating Instructions	9		

© Copyright 2007 All rights Reserved

Land Pride provides this publication "as is" without warranty of any kind, either expressed or implied. While every precaution has been taken in the preparation of this manual, Land Pride assumes no responsibility for errors or omissions. Neither is any liability assumed for damages resulting from the use of the information contained herein. Land Pride reserves the right to revise and improve its products as it sees fit. This publication describes the state of this product at the time of its publication, and may not reflect the product in the future.

Land Pride is a registered trademark.

All other brands and product names are trademarks or registered trademarks of their respective holders.

Printed in the United States of America.

Important Safety Information

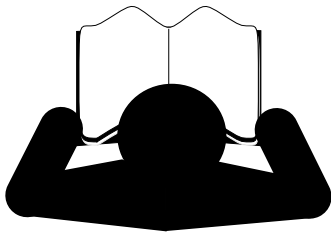
These are common practices that may or may not be applicable to the products described in this manual.

Safety at All Times

Thoroughly read and understand the instructions given in this manual before operation. Refer to the "Safety Label" section, read all instructions noted on them.

Do not allow anyone to operate this equipment who has not fully read and comprehended this manual and who has not been properly trained in the safe operation of the equipment.

- ▲ Operator should be familiar with all functions of the unit.
- ▲ Operate implement from the driver's seat only.
- ▲ Do not leave tractor or implement unattended with engine running.
- ▲ Dismounting from a moving tractor could cause serious injury or death.
- ▲ Do not stand between the tractor and implement during hitching.
- ▲ Keep hands, feet, and clothing away from power-driven parts.
- ▲ Wear snug fitting clothing to avoid entanglement with moving parts.
- ▲ Watch out for wires, trees, etc., when raising implement. Make sure all persons are clear of working area.
- ▲ Turning tractor too tight may cause implement to ride up on wheels. This could result in injury or equipment damage.



Look For The Safety Alert Symbol

The SAFETY ALERT SYMBOL indicates there is a potential hazard to personal safety involved and extra safety precaution must be taken. When you see this symbol, be alert and carefully read the message that follows it. In addition to design and configuration of equipment, hazard control and accident prevention are dependent upon the awareness, concern, prudence and proper training of personnel involved in the operation, transport, maintenance and storage of equipment.

Be Aware of Signal Words

A Signal word designates a degree or level of hazard seriousness. The signal words are:

DANGER

Indicates an imminently hazardous situation which, if not avoided, will result in death or serious injury. This signal word is limited to the most extreme situations, typically for machine components that, for functional purposes, cannot be guarded.

WARNING

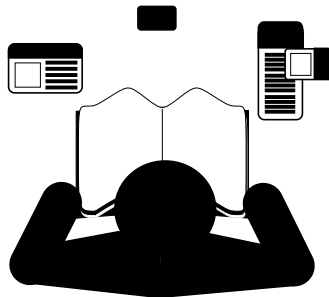
Indicates a potentially hazardous situation which, if not avoided, could result in death or serious injury, and includes hazards that are exposed when guards are removed. It may also be used to alert against unsafe practices.

CAUTION

Indicates a potentially hazardous situation which, if not avoided, may result in minor or moderate injury. It may also be used to alert against unsafe practices.

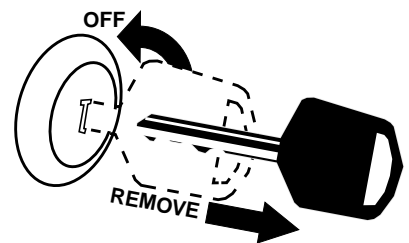
For Your Protection

- ▲ Thoroughly read and understand the "Safety Label" section, read all instructions noted on them.



Shutdown and Storage

- ▲ Lower machine to ground, put tractor in park, turn off engine, and remove the key.
- ▲ Detach and store implements in a area where children normally do not play. Secure implement by using blocks and supports.

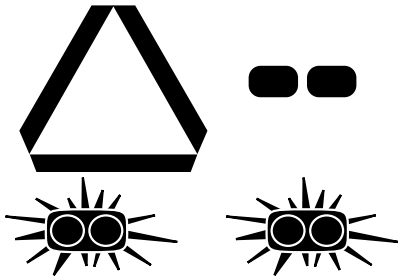


Important Safety Information

These are common practices that may or may not be applicable to the products described in this manual.

Use Safety Lights and Devices

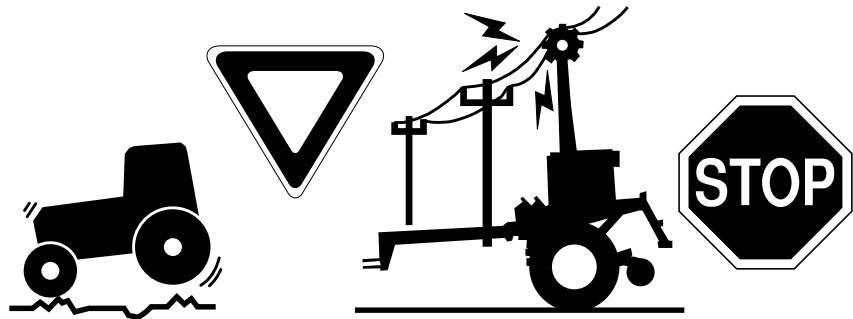
- ▲ Slow moving tractors, self-propelled equipment, and towed implements can create a hazard when driven on public roads. They are difficult to see, especially at night.
- ▲ Flashing warning lights and turn signals are recommended whenever driving on public roads. Use lights and devices provided with implement.



Transport Machinery Safely

- ▲ Comply with state and local laws.
- ▲ Maximum transport speed for implement is 20 mph. **DO NOT EXCEED.** Never travel at a speed which does not allow adequate control of steering and stopping. Some rough terrains require a slower speed.
- ▲ Sudden breaking can cause a towed load to swerve and upset. Reduce speed if towed load is not equipped with breaks.

- ▲ Use the following maximum speed - tow load weight ratios as a guideline:
- ▲ **20 mph** when weight is less than or equal to the weight of tractor.
- ▲ **10 mph** when weight is double the weight of tractor.
- ▲ **IMPORTANT:** Do not tow a load that is more than double the weight of tractor.



Use A Safety Chain

- ▲ A safety chain will help control drawn machinery should it separate from the tractor drawbar.
- ▲ Use a chain with the strength rating equal to or greater than the gross weight of the towed machinery.
- ▲ Attach the chain to the tractor drawbar support or other specified anchor location. Allow only enough slack in the chain to permit turning.
- ▲ Do not use safety chain for towing.



Practice Safe Maintenance

- ▲ Understand procedure before doing work. Use proper tools and equipment, refer to Operator's Manual for additional information.
- ▲ Work in a clean dry area.
- ▲ Lower the implement to the ground, put tractor in park, turn off engine, and remove key before performing maintenance.

- ▲ Allow implement to cool completely.
- ▲ Do not grease or oil implement while it is in operation.
- ▲ Inspect all parts. Make sure parts are in good condition & installed properly.
- ▲ Remove buildup of grease, oil or debris.
- ▲ Remove all tools and unused parts from implement before operation.

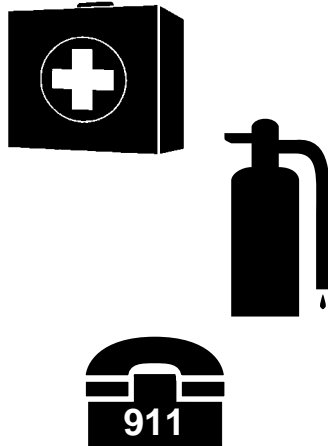


Important Safety Information

These are common practices that may or may not be applicable to the products described in this manual.

Prepare for Emergencies

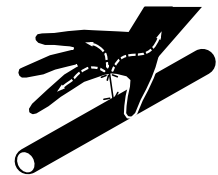
- ▲ Be prepared if a fire starts.
- ▲ Keep a first aid kit and fire extinguisher handy.
- ▲ Keep emergency numbers for doctor, ambulance, hospital and fire department near phone.

**Wear Protective Equipment**

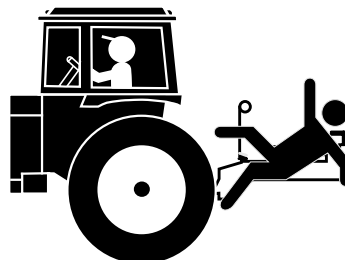
- ▲ Protective clothing and equipment should be worn.
- ▲ Wear clothing and equipment appropriate for the job. Avoid loose fitting clothing.
- ▲ Prolonged exposure to loud noise can cause hearing impairment or hearing loss. Wear suitable hearing protection such as earmuffs or earplugs.
- ▲ Operating equipment safely requires the full attention of the operator. Avoid wearing radio headphones while operating machinery.

**Avoid High Pressure Fluids Hazard**

- ▲ Escaping fluid under pressure can penetrate the skin causing serious injury.
- ▲ Avoid the hazard by relieving pressure before disconnecting hydraulic lines.
- ▲ Use a piece of paper or cardboard, NOT BODY PARTS, to check for suspected leaks.
- ▲ Wear protective gloves and safety glasses or goggles when working with hydraulic systems.
- ▲ If an accident occurs, see a doctor immediately. Any fluid injected into the skin must be surgically removed within a few hours or gangrene may result.

**Keep Riders Off Machinery**

- ▲ Riders obstruct the operator's view, they could be struck by foreign objects or thrown from the machine.
- ▲ Never allow children to operate equipment.

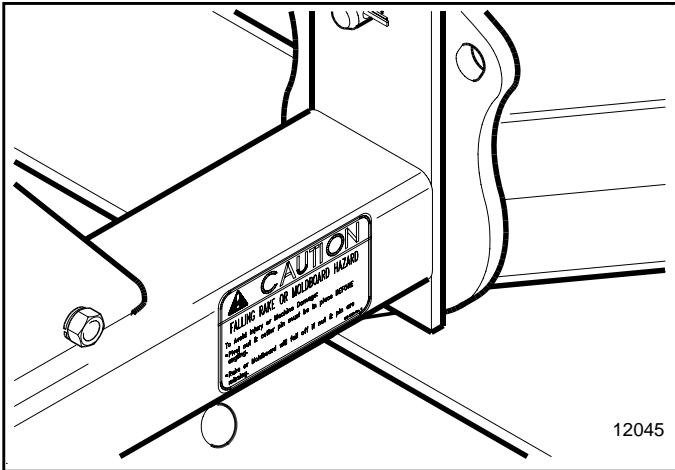


Important Safety Information

Safety Labels

Your rear blade comes equipped with all safety labels in place. They were designed to help you safely operate your implement. Read and follow their directions.

1. Keep all safety labels clean and legible.
2. Replace all damaged or missing labels. To order new labels go to your nearest Land Pride dealer.
3. Some new equipment installed during repair requires safety labels to be affixed to the replaced component as specified by Land Pride. When ordering new components make sure the correct safety labels are included in the request.
4. Refer to this section for proper label placement. To install new labels:
 - a. Clean the area the label is to be placed.
 - b. Spray soapy water on the surface where the label is to be placed.
 - c. Peel backing from label. Press firmly onto the surface.
 - d. Squeeze out air bubbles with the edge of a credit card.



818-202C

Caution: Retaining Nut

Introduction

Land Pride welcomes you to the growing family of new product owners.

This rear blade has been designed with care and built by skilled workers using quality materials. Proper assembly, maintenance and safe operating practices will help you get years of satisfactory use from the machine.

Application

The Land Pride RBT15 Series 3-Way Position Blades are designed for Category I three-point hitch mounting and are adapted for attachment to tractors in the 17 to 40 hp range. They come in 60", 72", and 84" working widths and are compatible with the Land Pride Quick Hitch. An optional support stand is available for those blades not equipped with the stand to accommodate easier blade removal, storage, and remount capabilities. These Blades offer 7 forward and 5 reverse angles and 5 tilt positions. The 14" tall rolled moldboard blade with its reversible cutting edge can be offset twelve inches to the left or right to cover either tractor tire and to allow operators to work right up next to retaining walls, abutments and raised curbing. Skid shoes are available as an accessory to help in maintaining positive depth control around obstacles such as manhole covers and expansion joints. The moldboard can even be removed to accommodate installation of an optional landscape rake attachment.

When you consider all of the performance features and capabilities of the RBT15 Series Blades by Land Pride it is easy to understand why they are an excellent choice for leveling, finish grading, and backfilling applications at feedlots, outdoor arenas, building sites, nurseries, and maintenance operations on farms, ranches, or home owner lanes or roadways. They are excellent for snow removal in the pulling or the push-blade mode. Their offset and tilt capability make them an excellent choice for construction and maintenance of drainage ditches, waterways, and soil contours. They are also very effective in maintaining silage pit operations.

See "Section 6: Specifications & Capacities" on page 12 and "Section 7: Features and Benefits" on page 13 for additional information and performance enhancing options.

Using This Manual

- This Operator's Manual is designed to help familiarize you with safety, assembly, operation, adjustments, troubleshooting, and maintenance. Read this manual and follow the recommendations to help ensure safe and efficient operation.
- The information contained within this manual was current at the time of printing. Some parts may change slightly to assure you of the best performance.
- To order a new Operator's or Parts Manual contact your authorized dealer. Manuals can also be downloaded, free-of-charge from our website at www.landpride.com or printed from the Land Pride Service & Support Center by your dealer.

Terminology

"Right" or "Left" as used in this manual is determined by facing the direction the machine will operate while in use unless otherwise stated.

Definitions

NOTE: A special point of information that the operator must be aware of before continuing.

IMPORTANT: A special point of information related to its preceding topic. Land Pride's intention is that this information should be read and noted before continuing.

Owner Assistance

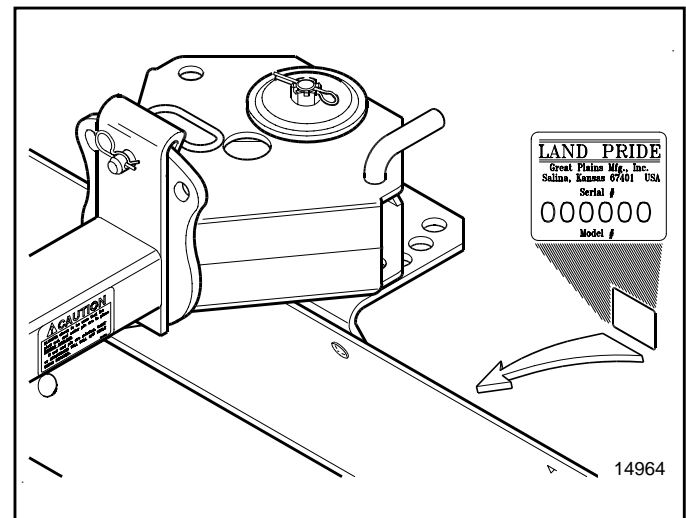
The Warranty Registration card should be filled out by the dealer at the time of purchase. This information is necessary to provide you with quality customer service.

If customer service or repair parts are required contact a Land Pride dealer. A dealer has trained personnel, repair parts and equipment needed to service the rear blade.

The parts on your rear blade have been specially designed and should only be replaced with genuine Land Pride parts. Therefore, should your rear blade require replacement parts go to your Land Pride Dealer.

Serial Number Plate

For prompt service always use the serial number and model number when ordering parts from your Land Pride dealer. Be sure to include your serial and model numbers in correspondence also. Refer to Figure 1 for the location of your serial number plate.



Serial Number Plate Location
Figure 1

Introduction

Further Assistance

Your dealer wants you to be satisfied with your new rear blade. If for any reason you do not understand any part of this manual or are not satisfied with the service received, the following actions are suggested:

1. Discuss the matter with your dealership service manager making sure he is aware of any problems you may have and that he has had the opportunity to assist you.
2. If you are still not satisfied, seek out the owner or general manager of the dealership, explain the problem and request assistance.
3. For further assistance write to:

Land Pride Service Department

1525 East North Street

P.O. Box 5060

Salina, Ks. 67402-5060

E-mail address

lp servicedept@landpride.com

Section 1: Assembly & Set-up

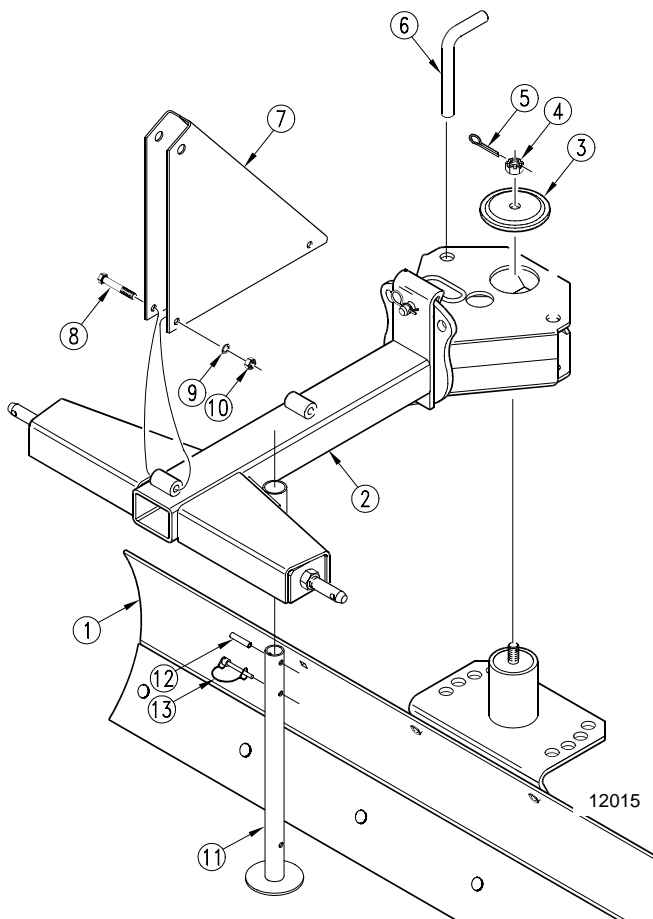
RBT15 Rear Blades

Refer to Figure 1-1:

1. Insert the blade assembly (#1) through the hole on the main frame assembly (#2).
2. Place the pivot cap (#3) over the threaded shaft protruding through the opening on the main frame assembly (#2).
3. Thread on slotted hex nut (#4) until the vertical play is removed from pivot.
4. Insert the cotter pin (#5).
5. Line up holes in the mainframe assembly and blade assembly and insert lock pin (#6).
6. Position upper hitch mast (#7) on the main frame (#2) and insert bolts (#8). Retain with lock washers (#9) and hex nuts (#10). Tighten to proper torque.

CAUTION

Always check to be sure that the slotted hex nut and cotter pin are in place to retain the blade before reversing the blade. If they are missing, the blade will fall off the frame while being rotated!



RBT15 3-Way Rear Blade Assembly
Figure 1-1

7. Install support leg (#11) into support stand bracket and secure with 3/8" x 1 3/4" lg. roll pin (#12).
8. Secure the wire pin (#13) in the top hole when storing the blade. Raise the leg all the way up and secure the wire pin in the bottom hole when the blade is attached to a tractor.

3-Point Hook-Up

Refer to Figure 1-2

DANGER

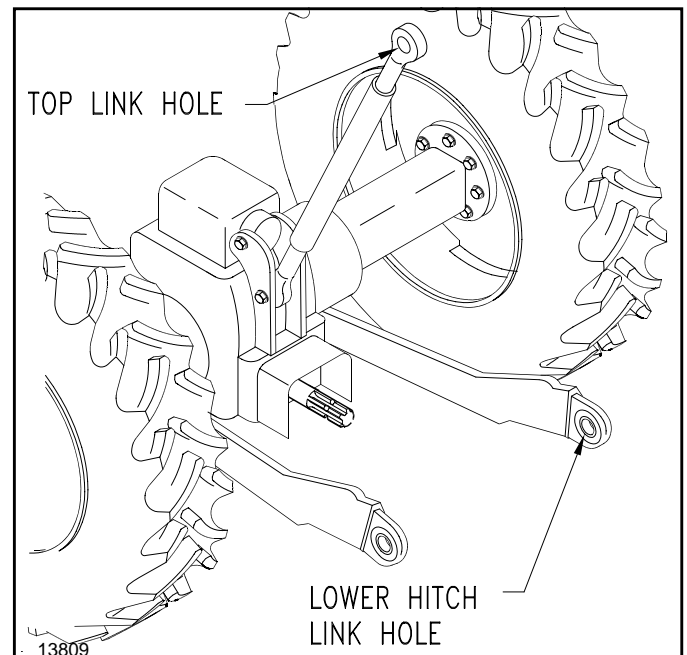
Tractor hook-up can be hazardous to your health or that of your helper. Do not allow anyone to stand between the rear blade and the tractor during hook-up operations. Do not operate the hydraulic 3-point lift controls while someone is directly behind the tractor.

1. Slowly back the tractor up to the rear blade and use the tractor's 3-point hydraulic control to adjust the lower link arms up or down to match the height of the rear blade hitch pins.

DANGER

Engage parking brake, shut off tractor and remove key before dismantling from the tractor.

2. Slide the lower link arms hitch link holes onto the rear blade hitch pins.
3. Install a lynch pin or other fastener (supplied by customer) through the hitch pin hole to lock the lower links into position.
4. Connect the top link to the upper pivot hitch using a clevis pin supplied by the customer.



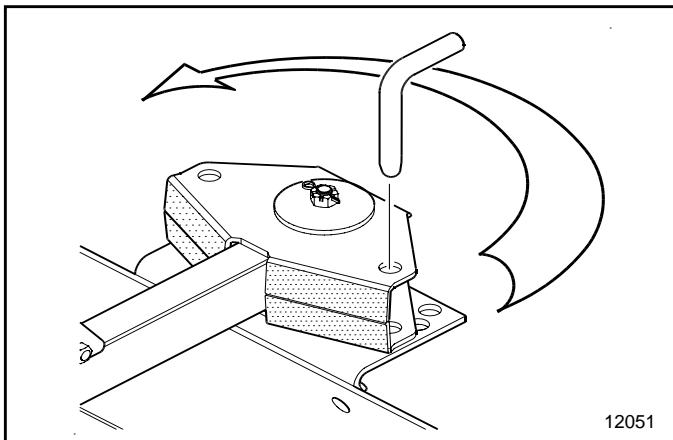
Tractor 3-Point Hitch
Figure 1-2

Section 2: Adjustments

Angling and reversing

Refer to Figure 2-1:

Eight holes are provided for angling the blade in either the forward or reverse position. The blade can be angled horizontally 45 degrees to each side of center in 15 degree increments.

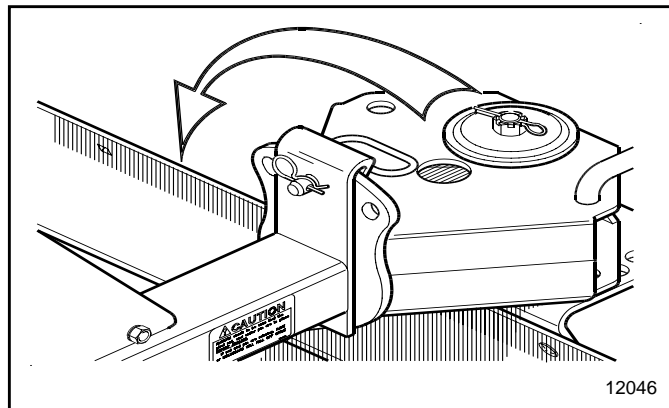


Blade Angling
Figure 2-1

Blade Tilt

Refer to Figure 2-2:

Five holes are provided for tilting the blade to either the left or right positions. To tilt the blade pull the hair pin cotter and pin on the mainframe and rotate the blade. Reinsert pins.



Blade Tilt
Figure 2-2

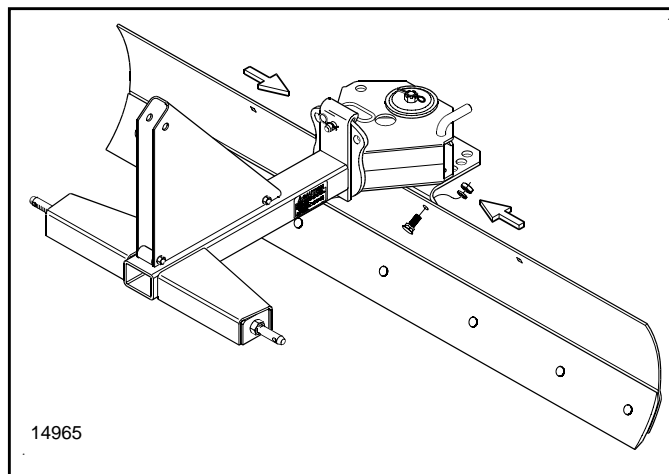
Pitch

The pitch of the blade can be adjusted by lengthening or shortening the top link of the tractor.

Blade Offset

Refer to Figure 2-3:

The blade may be offset 12" right or left by unbolting the moldboard from the blade mount weldment and then rebolting it, using alternative holes provided on the moldboard.



Blade Offset
Figure 2-3



Section 3: Operating Procedures

Operating Check List

Hazard control and accident prevention are dependent upon the awareness, concern, prudence and proper training involved in the operation, transport, maintenance and storage of the blade. Therefore, It is absolutely essential that no one operates the rear blade without first having read, fully understood and become totally familiar with the Operator’s Manual. Make sure the operator has paid particular attention to:

- **Important Safety Information**, pages 1 to 4
- **Section 1: Assembly & Set-up**, page 7
- **Section 2: Adjustments**, page 8
- **Section 3: Operating Procedures**, page 9
- **Section 4: Maintenance & Lubrication**, page 10

Before beginning to operate your rear blade the following inspection should be performed

Operating Checklist

✓	Check	Reference
	Check 3-point Hook-up procedure. Be sure all pins have been installed and are secured.	Page 7
	All blade adjustments have been made and pins have been installed and are secured.	page 8
	The operator has read and understood how to operate the blade.	Page 9
	The rear blade has been lubricated as needed.	Page 10
	Check the cutter initially and periodically for loose bolts & pins, See <i>Torque Values Chart</i> .	Page 14

Transporting



When traveling on public roads at night or during the day, use accessory lights and devices for adequate warning to operators of other vehicles. Comply with all federal, state and local laws.

5. When traveling on roadways, transport in such a way that faster moving vehicles may pass you safely.
6. When turning, leave enough clearance so the blade does not contact obstacles such as buildings, trees or fences.
7. Slow down when traveling over rough or hilly terrain.

General Operating Instructions

The RBT15 Series Rear Blades design and built by Land Pride are ideal for snow removal as well as dirt leveling, finish grading, and backfilling applications at feedlots, outdoor arenas, building sites, and maintenance operations on farm and ranch lanes or roadways. They are also excellent for soil contouring and construction and maintenance of ditches and waterways.

Once you have familiarized yourself with the Operator’s Manual, completed the operations checklist, and properly attached your Land Pride Rear Blade to your tractor, you are almost ready to begin work. Hopefully you have checked out your work site for any buried utility

cables, pipelines, sprinkler heads, or other obstacles that you wouldn’t want to damage or encounter. Grade stakes should now be in place if you intend to develop a specific grade, elevation, soil contour, or roadbed crown.

An RBT15 Series Rear Blade’s primary purpose is for grading or leveling of soil, gravel, or aggregate in the warmer months or snow removal in the colder months. These functions are best done at an approximate 2 to 4 mph ground speed. Becoming proficient with a rear blade takes practice. Tractor horsepower, your personal skill level, soil or aggregate composition, moisture levels, and compaction factors will all have a definite impact on how easily and effectively you get the job done when you are in the dirt working mode. Develop a plan to achieve your expected results. Set the blade up at the proper angle or angles to do the job. This may require some experimentation to achieve the desired results. Lower the box scraper to the ground and proceed forward at a speed of no more than 2 to 4 mph. The blade should immediately begin shaving the soil surface and dirt or aggregate material. Set the tractors draft-link height control in the desired position. With the blade set at a 90 degree angle you may need to raise the blade slightly so that the dirt or gravel can flow out evenly under the blade effectively shaving off high spots and filling in potholes or depressions. Skid shoes on the 15 Series Blades can help maintain a consistent blade height for this purpose.

If you have the blade set at a horizontal angle, the shaved or accumulated material will begin to move outward toward the trailing edge of the blade. The greater the angle the more quickly the shaved material will be distributed off to the side. If it is necessary to work up next to a building foundation, abutment, or raised curb you may want to offset the blade so that the outside edge of the blade is beyond the outer edge of the tractor tire in working position. Back-filling operations may be more easily performed by reversing the blade and operating the tractor in reverse or commonly called the push mode.

If you are performing the construction of soil contours or waterways you will probably need to set a tilt angle on the blade to achieve the desired effect. If you are grading or cutting a new ditch bank or forming a road crown, you will probably want to offset the blade in combination with setting an appropriate tilt angle. This again will likely require some experimentation to gain desired results. If you are performing landscaping operations for the purpose of seedbed preparation, you may want to remove the moldboard and install an optional landscape rake component to achieve a truly professional finish when you are finished blading. Snow removal techniques with a blade will be very similar to dirt working techniques and will require a little experimentation to become proficient.

With a little practice you should become a very good operator and consistently achieve the desired results you expect with your Land Pride RBT15 Series Rear Blade. See the “Features and Benefits” section or the “Product Specifications” for additional information and performance enhancing options.

Section 4: Maintenance & Lubrication

Maintenance

Proper servicing and adjustment is the key to the long life of any implement. With careful and systematic inspection, you can avoid costly maintenance, time and repair.

After using your rear blade for several hours, check all bolts to be sure they are tight.

Replace any worn, damaged or illegible safety labels by obtaining new labels from your Land Pride Dealer.

Lubrication Points

Lubrication Legend



Multi-purpose spray lube



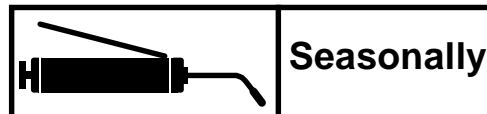
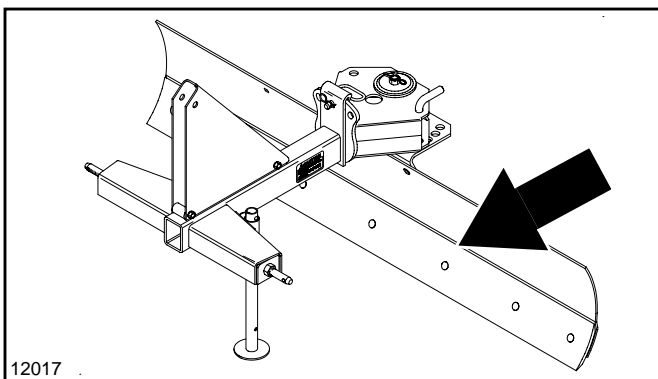
Multi-purpose grease lube



Multi-purpose oil lube



Intervals in hours at which lubrication is required

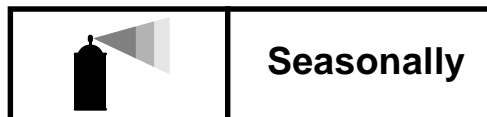
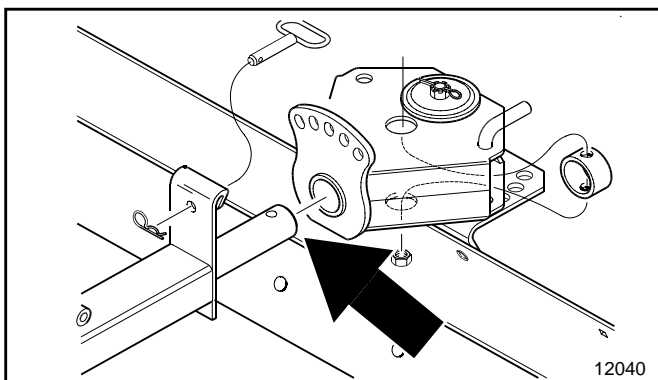


Moldboard and Blade

Grease moldboard and blade when storing for an extended period of time.

Type of Lubrication: Multi-Purpose

Quantity = Coat Generously



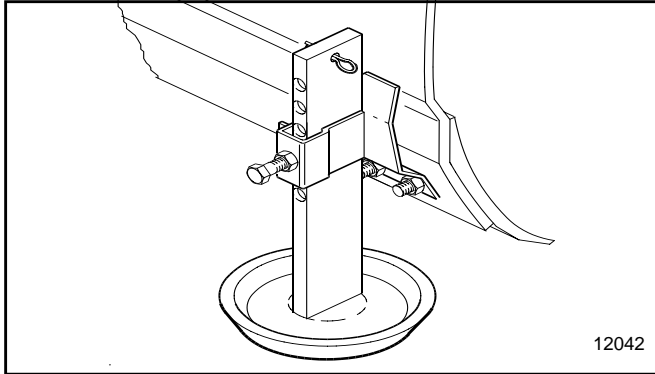
Pivot Shaft

Coat pivot shaft with grease seasonally or when binding occurs.

Type of Lubrication: Multi-Purpose

Quantity = Coat Generously

Section 5: Options

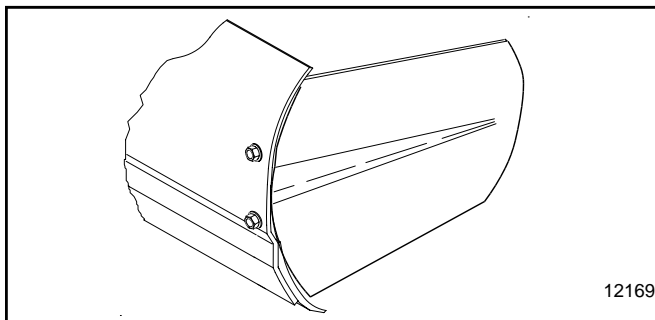


Skid Shoes

The skid shoes (7' shown) are attached to both ends of the blade to help prevent damage to the surface of the ground by the blade. Refer to the skid shoe manual for assembly instructions and operations.

Kit Bundles

- 301-012A RBT1560 & RBT1584 Skid Shoes
- 301-138A RBT1572 Skid Shoes

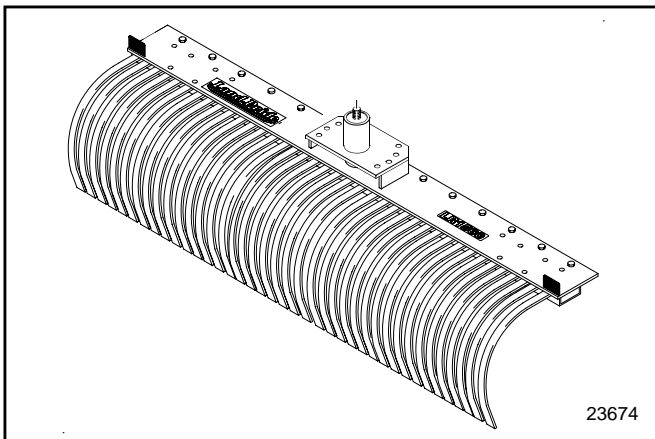


Side Plates

The side plates are attached to each end of the blade to eliminate spillage when moving snow or loose material.

Kit Bundle

- 301-010A RBT1560, RBT1572 & RB1584 Side Plates

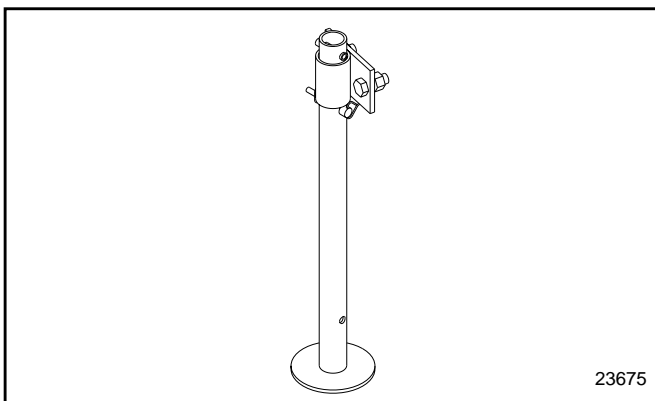


Rake Attachment

The rakes are attached to the center pivot and are for raking rocks, dirt and sand; and are perfect for cleaning and preparing a site for seeding as well as general maintenance around farms, parks and beaches.

Kit Bundles

- 301-170A 60" Rake Attachment
- 301-171A 72" Rake Attachment
- 301-172A 84" Rake Attachment
- 301-173A 96" Rake Attachment



Storage Stand

The storage stand is attached to the main frame and makes hooking-up and unhooking easier. Also, it supports the main frame off the ground when storing to help protect the finish. The stand is standard on some models

Kit Bundle

- 300-195A 15 Series Storage Stand



RBT15 Series			
	RBT1560	RBT1572	RBT1584
Blade Width	60"	72"	84"
Approximate Weight (lbs.)	283	297	319
Horsepower Rating	17-40		
Hitch Type	Cat. 1		
Angle/Position	5 Forward up to 30 degrees right or left 7 Reverse up to 45 degrees right or left		
Blade Height	14"		
Blade Thickness	1/4"		
Cutting Edge	1/2" x 6" Reversible Double bevel		
Offset	12"		
Tilt	5 Positions up to 30 degrees right or left		
Options	Skid Shoes and Side Plates		

Section 7: Features and Benefits
RBT15 Series Rear Blades

Features	Benefits
Working widths	60", 72", 84"
HP rating	17-40 HP
7 Forward and 5 Reverse angles	Many angles for diverse jobs and results.
Offset 12" Left or Right	Manually move moldboard to cover either tractor tire.
5 Optional tilt positions	Tilt moldboard easily to dig.
14" High rolled moldboard	Rolled moldboard allows material to flow easily, which means less drag, less HP. Moldboard thickness is just right for 40 HP work.
Reversible cutting edge	For twice the life.
Skid shoes (optional)	Set depth of blade to clear obstructions like manhole covers, street cracks.
Landscape Rake adaptable	Remove moldboard and add rake element to add diversity of frame.
Storage Stand	Store unit with front of hitch off the ground, allows for easier hook-up.
Side plates (optional)	Side plates allow blade to hold in material to move.
Warranty	One year parts & labor.
Quick-Hitch	Fits Land Pride Quick-Hitch.

Torque Values Chart													
Bolt Size (Inches)	Bolt Head Identification						Bolt Size (Metric)	Bolt Head Identification					
	Grade 2		Grade 5		Grade 8			Class 5.8		Class 8.8		Class 10.9	
in-tpi ¹	N · m ²	ft-lb ³	N · m	ft-lb	N · m	ft-lb	mm x pitch ⁴	N · m	ft-lb	N · m	ft-lb	N · m	ft-lb
1/4" - 20	7.4	5.6	11	8	16	12	M 5 X 0.8	4	3	6	5	9	7
1/4" - 28	8.5	6	13	10	18	14	M 6 X 1	7	5	11	8	15	11
1vp-1 - 18	15	11	24	17	33	25	M 8 X 1.25	17	12	26	19	36	27
5/16" - 24	17	13	26	19	37	27	M 8 X 1	18	13	28	21	39	29
3/8" - 16	27	20	42	31	59	44	M10 X 1.5	33	24	52	39	72	53
3/8" - 24	31	22	47	35	67	49	M10 X 0.75	39	29	61	45	85	62
7/16" - 14	43	32	67	49	95	70	M12 X 1.75	58	42	91	67	125	93
7/16" - 20	49	36	75	55	105	78	M12 X 1.5	60	44	95	70	130	97
1/2" - 13	66	49	105	76	145	105	M12 X 1	90	66	105	77	145	105
1/2" - 20	75	55	115	85	165	120	M14 X 2	92	68	145	105	200	150
9/16" - 12	95	70	150	110	210	155	M14 X 1.5	99	73	155	115	215	160
9/16" - 18	105	79	165	120	235	170	M16 X 2	145	105	225	165	315	230
5/8" - 11	130	97	205	150	285	210	M16 X 1.5	155	115	240	180	335	245
5/8" - 18	150	110	230	170	325	240	M18 X 2.5	195	145	310	230	405	300
3/4" - 10	235	170	360	265	510	375	M18 X 1.5	220	165	350	260	485	355
3/4" - 16	260	190	405	295	570	420	M20 X 2.5	280	205	440	325	610	450
7/8" - 9	225	165	585	430	820	605	M20 X 1.5	310	230	650	480	900	665
7/8" - 14	250	185	640	475	905	670	M24 X 3	480	355	760	560	1050	780
1" - 8	340	250	875	645	1230	910	M24 X 2	525	390	830	610	1150	845
1" - 12	370	275	955	705	1350	995	M30 X 3.5	960	705	1510	1120	2100	1550
1-1/8" - 7	480	355	1080	795	1750	1290	M30 X 2	1060	785	1680	1240	2320	1710
1 1/8" - 12	540	395	1210	890	1960	1440	M36 X 3.5	1730	1270	2650	1950	3660	2700
1 1/4" - 7	680	500	1520	1120	2460	1820	M36 X 2	1880	1380	2960	2190	4100	3220
1 1/4" - 12	750	555	1680	1240	2730	2010							
1 3/8" - 6	890	655	1990	1470	3230	2380							
1 3/8" - 12	1010	745	2270	1670	3680	2710							
1 1/2" - 6	1180	870	2640	1950	4290	3160							
1 1/2" - 12	1330	980	2970	2190	4820	3560							

¹ in-tpi = nominal thread diameter in inches-threads per inch
² N · m = newton-meters
³ ft-lb= foot pounds
⁴ mm x pitch = nominal thread diameter in millimeters x thread pitch

Torque tolerance + 0%, -15% of torquing values. Unless otherwise specified use torque values listed above.

Warranty

Land Pride warrants to the original purchaser that this Land Pride product will be free from defects in material and workmanship beginning on the date of purchase by the end user according to the following schedule when used as intended and under normal service and conditions for personal use.

Overall Unit: One year Parts and Labor

Cutting Edges: Considered wear items.

This Warranty is limited to the replacement of any defective part by Land Pride and the installation by the dealer of any such replacement part, and does not cover common wear items such as blades, belts, tines, etc. Land Pride reserves the right to inspect any equipment or parts which are claimed to have been defective in material or workmanship.

This Warranty does not apply to any part or product which in Land Pride's judgment shall have been misused or damaged by accident or lack of normal maintenance or care, or which has been repaired or altered in a way which adversely affects its performance or reliability, or which has been used for a purpose for which the product is not designed. Misuse also specifically includes failure to properly maintain oil levels, grease points, and driveline shafts.

Claims under this Warranty must be made to the dealer which originally sold the product and all warranty adjustments must be made through such dealer. Land Pride reserves the right to make changes in materials or design of the product at any time without notice.

This Warranty shall not be interpreted to render Land Pride liable for damages of any kind, direct, consequential, or contingent to property. Furthermore, Land Pride shall not be liable for damages resulting from any cause beyond its reasonable control. This Warranty does not extend to loss of crops, any expense or loss for labor, supplies, rental machinery or for any other reason.

No other warranty of any kind whatsoever, express or implied, is made with respect to this sale; and all implied warranties of merchantability and fitness for a particular purpose which exceed the obligations set forth in this written warranty are hereby disclaimed and excluded from this sale.

This Warranty is not valid unless registered with Land Pride within 30 days from the date of purchase by the end user.



Corporate Office: P.O. Box 5060
Salina, Kansas 67402-5060 USA
www.landpride.com

Free Manuals Download Website

<http://myh66.com>

<http://usermanuals.us>

<http://www.somanuals.com>

<http://www.4manuals.cc>

<http://www.manual-lib.com>

<http://www.404manual.com>

<http://www.luxmanual.com>

<http://aubethermostatmanual.com>

Golf course search by state

<http://golfingnear.com>

Email search by domain

<http://emailbydomain.com>

Auto manuals search

<http://auto.somanuals.com>

TV manuals search

<http://tv.somanuals.com>