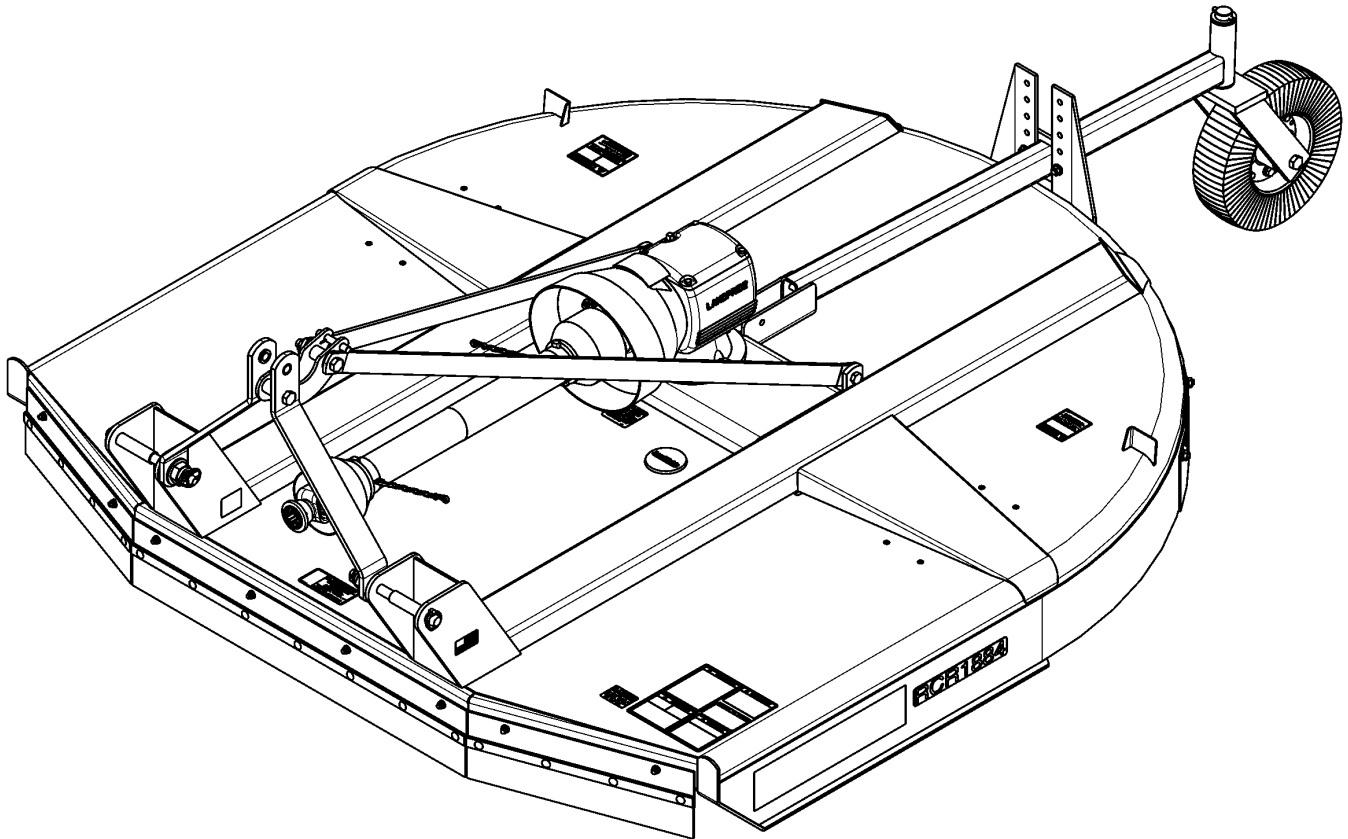


Rotary Cutter

RCR1884



24584

312-880P Parts Manual



Read the Operator's manual entirely. When you see this symbol, the subsequent instructions and warnings are serious - follow without exception. Your life and the lives of others depend on it!

© Copyright 2008 Printed 01/31/08

Cover photo may show optional equipment not supplied with standard unit.





Table of Contents

Section 1: Introduction.....	4
Using This Manual.....	4
Manual Replacement Information.....	4
Manual Revisions.....	4
Touch-up Paint.....	4
Hardware Legend.....	5
Replacement Hardware.....	5
Serial Numbers.....	5
Part Number Service Coding.....	5
Section 2: Deck.....	6
Deck and Rear Deflector.....	6
Hitch Components.....	8
Section 3: Blade Drive.....	10
Blade Drive.....	10
Driveline w/ Slip Clutch (826-510C).....	12
Gearbox (826-376C).....	14
Section 4: Options.....	16
Gauge Wheel Dual.....	16
Gauge Wheel Single.....	18
Guard Chain Front.....	20
Guard Chain Rear.....	22
Guard Rubber Front.....	24
Skid Shoe Kit.....	26
Section 5 Labels.....	28
Label Placement.....	28
Part Number Index.....	30

© Copyright 2008. All rights reserved.

Land Pride provides this publication "as is" without warranty of any kind, either expressed or implied. While every precaution has been taken in the preparation of this manual, Land Pride assumes no responsibility for errors or omissions. Neither is any liability assumed for damages resulting from the use of the information contained herein. Land Pride reserves the right to revise and improve its products as it sees fit. This publication describes the state of this product at the time of its publication, and may not reflect the product in the future. The illustrations in this manual are not intended for safe and proper assembly or disassembly of equipment. The illustrations are intended for ordering parts only.

Land Pride is registered trademark.

All other brands and product names are trademarks or registered trademarks of their respective holders.

Printed in the United States of America.



Alphabetized Table of Contents

B	
Blade Drive.....	10
D	
Deck and Rear Deflector.....	6
Driveline w/ Slip Clutch (826-510C).....	12
G	
Gauge Wheel Dual.....	16
Gauge Wheel Single.....	18
Gearbox (826-376C).....	14
Guard Chain Front.....	20
Guard Chain Rear.....	22
Guard Rubber Front.....	24
H	
Hitch Components.....	8
L	
Label Placement.....	28
S	
Skid Shoe Kit.....	26

General Information

Using This Manual

This manual is divided into sections. The first section contains General Information. The remaining sections divide the machine into segments (i.e. Frames, Drives, Hydraulics, etc.) which illustrate and list all parts. A Parts Number Index is located at the back of the book.

The Land Pride parts in this manual are specially designed for this machine and should be replaced with Land Pride parts only.

The information in this manual is current at time of printing. Some parts may change to assure top performance.

Right-hand and left-hand as used in this manual are determined by facing the direction the machine will travel while in use.

Below is an example of two facing pages from a parts manual. Familiarize yourself with the type of information contained on these pages.

Manual Replacement Information

Replacement manuals are available. Refer to our website at www.landpride.com, the Land Pride Support Center CD or e-mail us at lit@landpride.com for additional information. Our website continues to provide the most up-to-date manuals available.

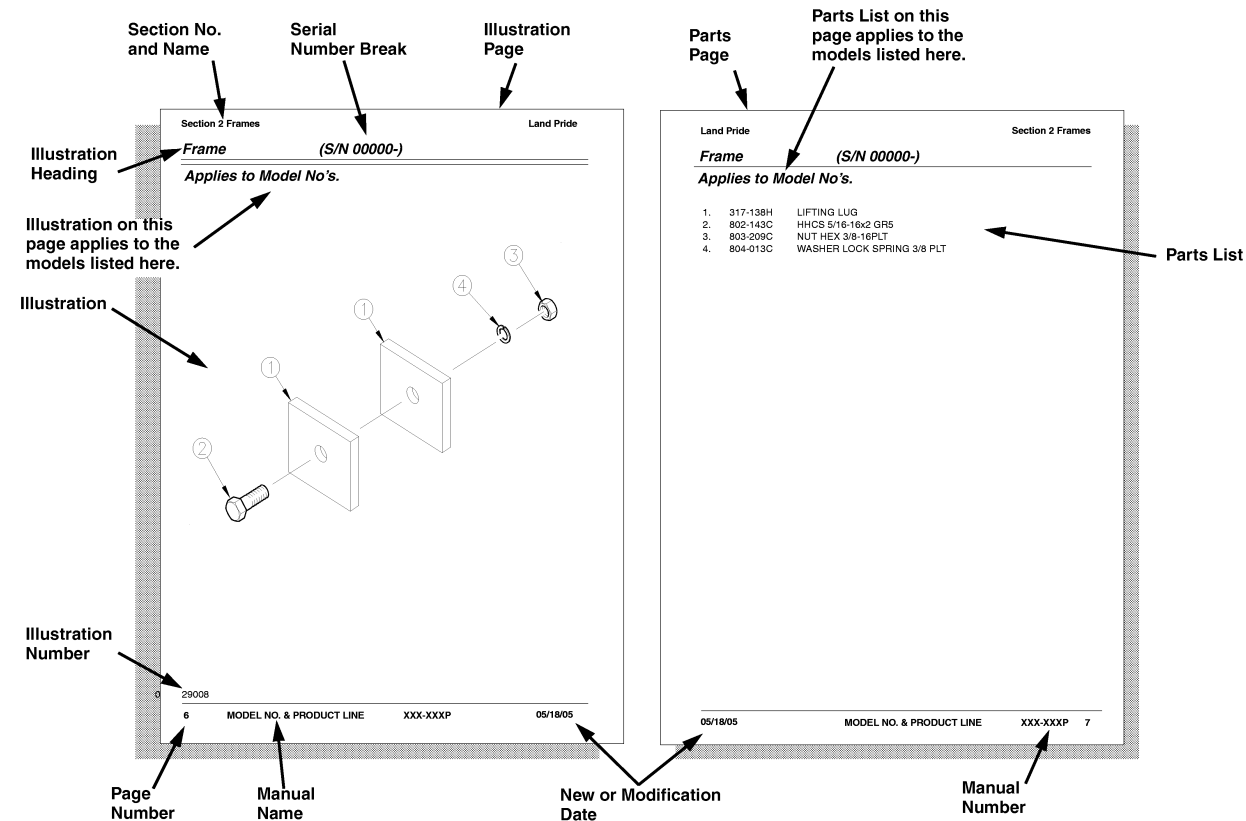
Touch-up Paint

Repaint parts where paint is worn or scratched to prevent rust. Aerosol cans and touch-up bottles with brush applicator are available through your local dealer. Land Pride color descriptions and part numbers are listed below. Also available are quart and gallon size paints. Add QT or GL to end of the Aerosol P/N.

Color	Product ¹	Aerosol	Touch-Up
Gloss Black	LP	821-032C	821-032CTU
Medium Gloss Black	UV	821-053C	821-053CTU
Beige	LP	821-011C	821-011CTU
Green	SLP	821-058C	821-058CTU
Orange	SLP	821-066C	821-066CTU
Red	SLP/UV	821-054C	821-054CTU
Blue	SLP/UV	821-067C	821-067CTU
Dark Green Sparkle	UV	821-055C	821-055CTU
Gondo Forest Green	UV	821-057C	821-057CTU
Brite Yellow ²	UV	821-056C	821-056CTU
Gondo Yellow ³	UV	821-059C	821-059CTU

Notes:

- 1 LP = All Land Pride Products except Utility Vehicles
SLP = Select Land Pride Products that are available in optional Green, Orange, Red, & Blue colors.
UV = Utility Vehicles
- 2 Used on Trekers and (Runabouts with S/N 407628-)
- 3 Used on Gondos and (Runabouts with S/N 407629+)



General Information

Hardware Legend

AR	As Required
BLADE	Blade Bolt
C	Cap Screw
CP	Cotter Pin
CPHSSS	Cup Point Hex Socket Set Screw
CPSHSS	Cup Point Square Head Set Screw
CPSQHSS	Cup Point Square Head Set Screw
CRFCHMS3	Cross Recess Flat Countersunk Head Machine Screw
CRPHMS	Cross Recess Pan Head Machine Screw
CRPHTF	Cross Recess Pan Head Thread Forming
CRRHMS	Cross Recess Round Head Machine Screw
CRTHMS	Cross Recess Truss Head Machine Screw
CSNB	Countersunk Square Neck Bolt
FHMS	Flat Head Machine Screw
FTC	Full Thread Cap Screw
H	Hex Nut
HCLN	Hex Center Lock Nut
HFLCS	Hex Flange Lock Cap Screw
HFS	Hex Flange Screw
HFSLN	Hex Flange Serrated Lock Nut
HFSS	Hex Flange Serrated Screw
HHCS	Hex Head Cap Screw or Metric Bolt
HSBHCS	Hex Socket Button Head Cap Screw
HSFCHCS	Hex Socket Flat Countersunk Head Cap Screw
HSHCS	Hex Socket Head Cap Screw
HSSS	Hex Socket Head Screw
HTLN	Hex Top Lock Nut
HWHCS	Hex Washer Head Cap Screw

HWHMS	Hex Washer Head Machine Screw
HXBHCS	Hex Socket Button Head Cap Screw
J	Hex Jam Nut
JIC	37 Degree Tapered Thread
L	Helical Spring Lock Washer
LUG	Lug Bolt
NFC	National Fine Cap Screw
NPSM	National Pipe Straight Mechanical
NPTF	National Pipe Taper Fuel
P	Wide Plain Washer
PHMS	Pan Head Machine Screw
PLOW	Plow Bolt
RHMS	Round Head Machine Screw
RHSNB	Round Head Square Neck Bolt
SCREW LEVELING	Leveling Screw
SCREW THUMB	Thumb Screw
SCREW WELD	Weld Screw
SFCHMS	Slotted Flat Countersunk Head Machine Screw
SFHMS	Slotted Fillister Head Machine Screw
SP	Special
SP SCREW	Special Screw
SQHSS	Square Head Set Screw
SRHMS	Slotted Round Head Machine Screw
SSS	Socket Set Screw
STCS	Self Tapping Cap Screw
STHMS	Slotted Truss Head Machine Screw
WHEEL	Wheel Studs and Hub Long Bolts
WING	Wing Bolt

Replacement Hardware

The **Hardware Legend** above lists hardware abbreviations used in the parts list. All bolts and nuts are Grade 5 unless otherwise noted. The use of improper grades of hardware can result in personal injury, damage to equipment, or loss of property.

Colored Replacement Parts

Land Pride offers replacement parts in factory standard colors and also on select models in Green, Orange, Red and Blue. Because of the variety of colors available, special attention must be given to the part number to prevent ordering the wrong replacement part.

A suffix number corresponding to one of the colors below must be added at the end of Land Pride's part number when ordering a replacement part with that color.

81 Green 83 Red
82 Orange 84 Blue

For example, if you are ordering a replacement part with part number 555-555C and the part you need is red, then add the suffix 83 to the end of the number to make the part number read 555-555C83. Parts ordered without a suffix number will be supplied in factory standard colors.

Black Replacement Parts

Some parts are factory standard black and some must be special ordered black. If your part is special ordered black, a second part number with the additional suffix number 85 on the end will be available. In this situation you must order that part with the suffix number for it to be black. Parts that are factory standard black will not have the suffix number.

Part Number Service Coding

Within the parts list some part numbers are coded for revisions and interchangeability. See notations in revision column.

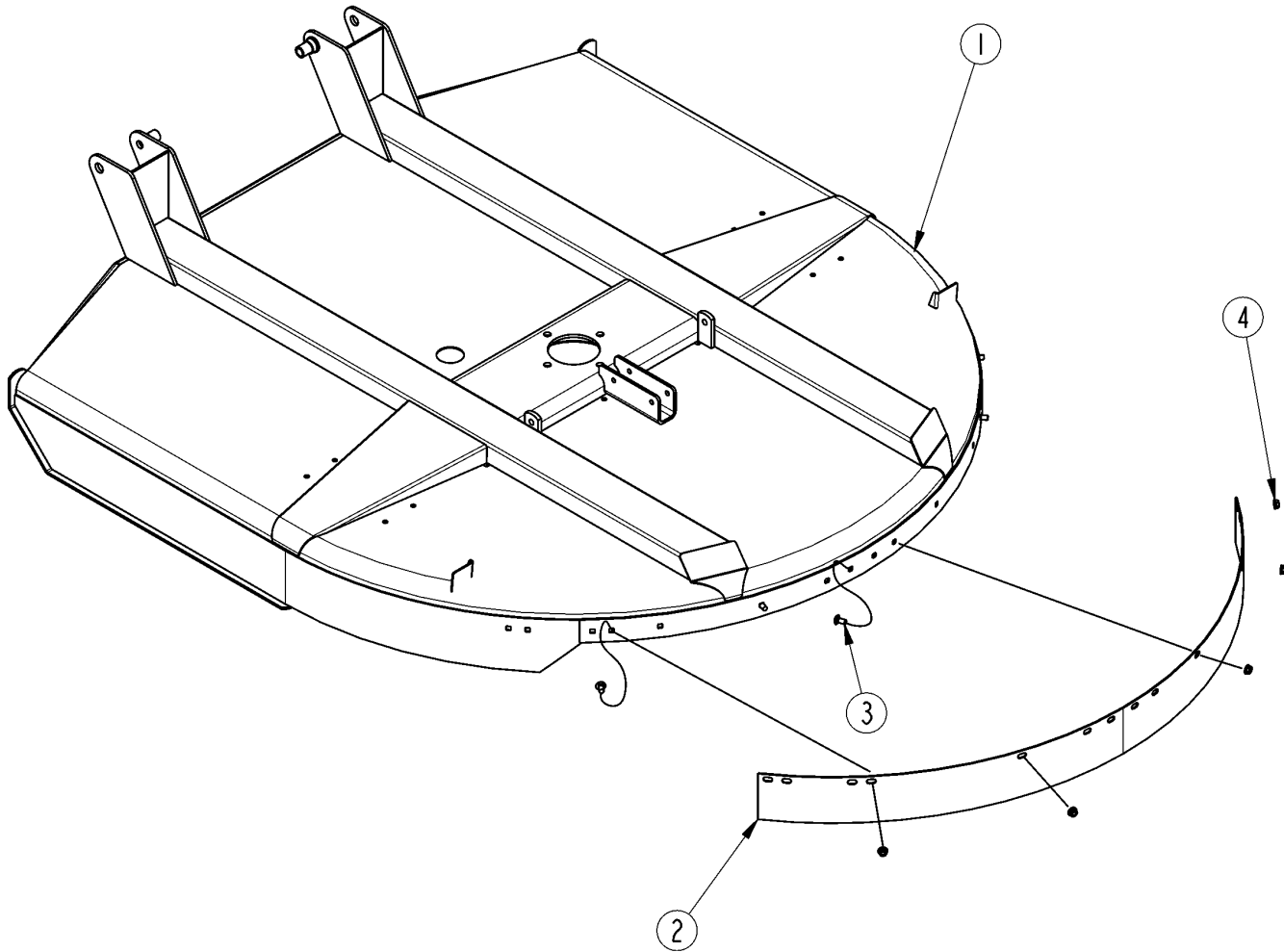
Serial Numbers

Always use the serial and model number when ordering parts. Refer to the Operator's Manual for serial number plate location.

- | | |
|----------------------|--|
| (S/N 20001+) | Includes serial numbers 20001 and above (to the latest number) |
| (S/N 10001 to 20000) | Includes serial numbers between and including 10001 and 20000 |
| (S/N 10000-) | Includes serial numbers 10000 and below (to the earliest number) |

Deck and Rear Deflector

Applies to RCR1884



24761

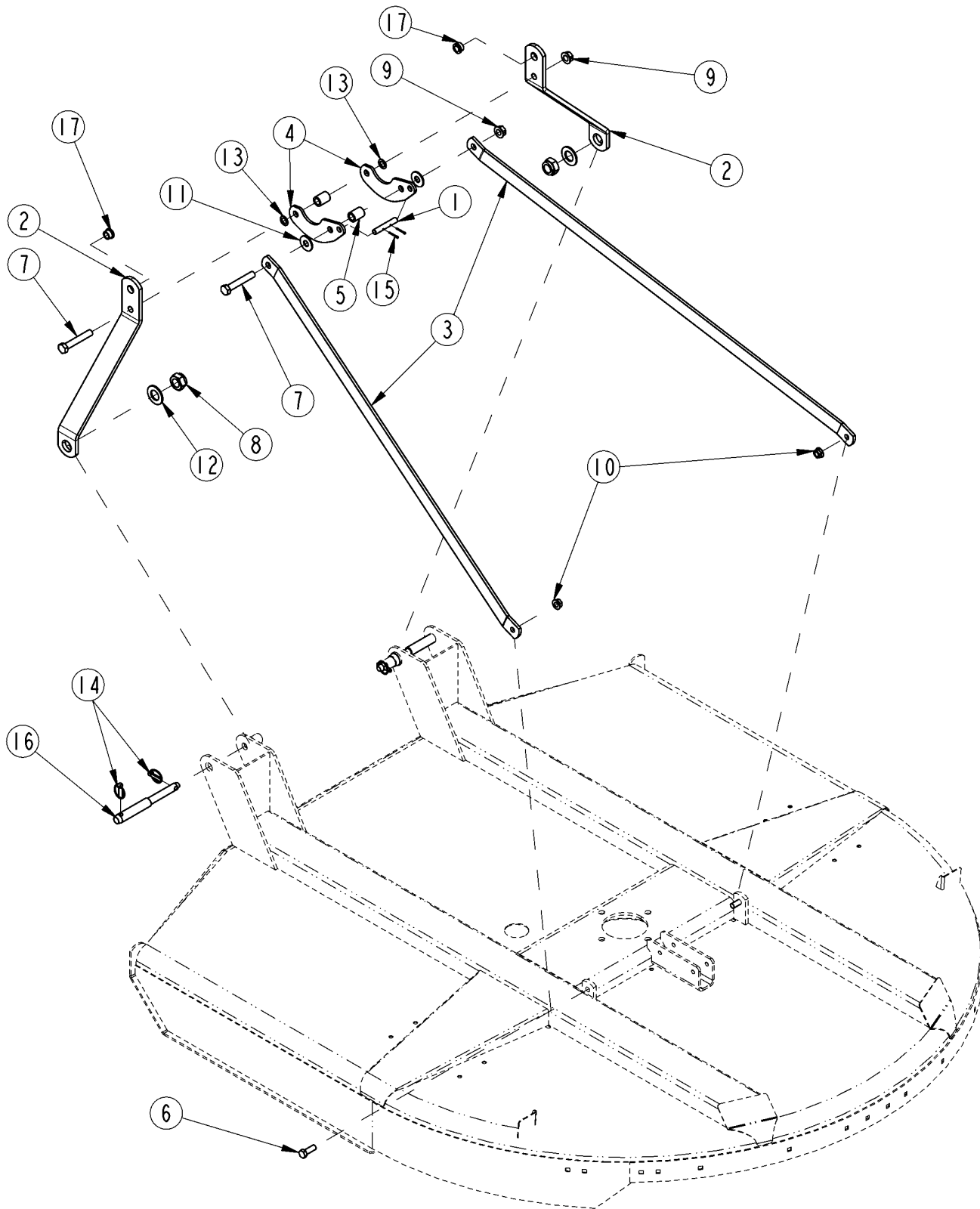
Deck and Rear Deflector

Applies to RCR1884

Ref	Part No.	Part Description	Comments	Revision
	dwg24761	Drawing Image Number		
1.	326-019H	1884 DECK WELDMENT		
1.	326-019H81	1884 DECK WELDMENT GREEN		
1.	326-019H82	1884 DECK WELDMENT ORANGE		
1.	326-019H83	1884 DECK WELDMENT RED		
2.	326-327D	REAR BAND DEFLECTOR		
3.	802-183C	RHSNB 1/2-13X1 GR5		
4.	803-037C	NUT HEX WHIZ 1/2-13 PLT		

Hitch Components

Applies to RCR1884



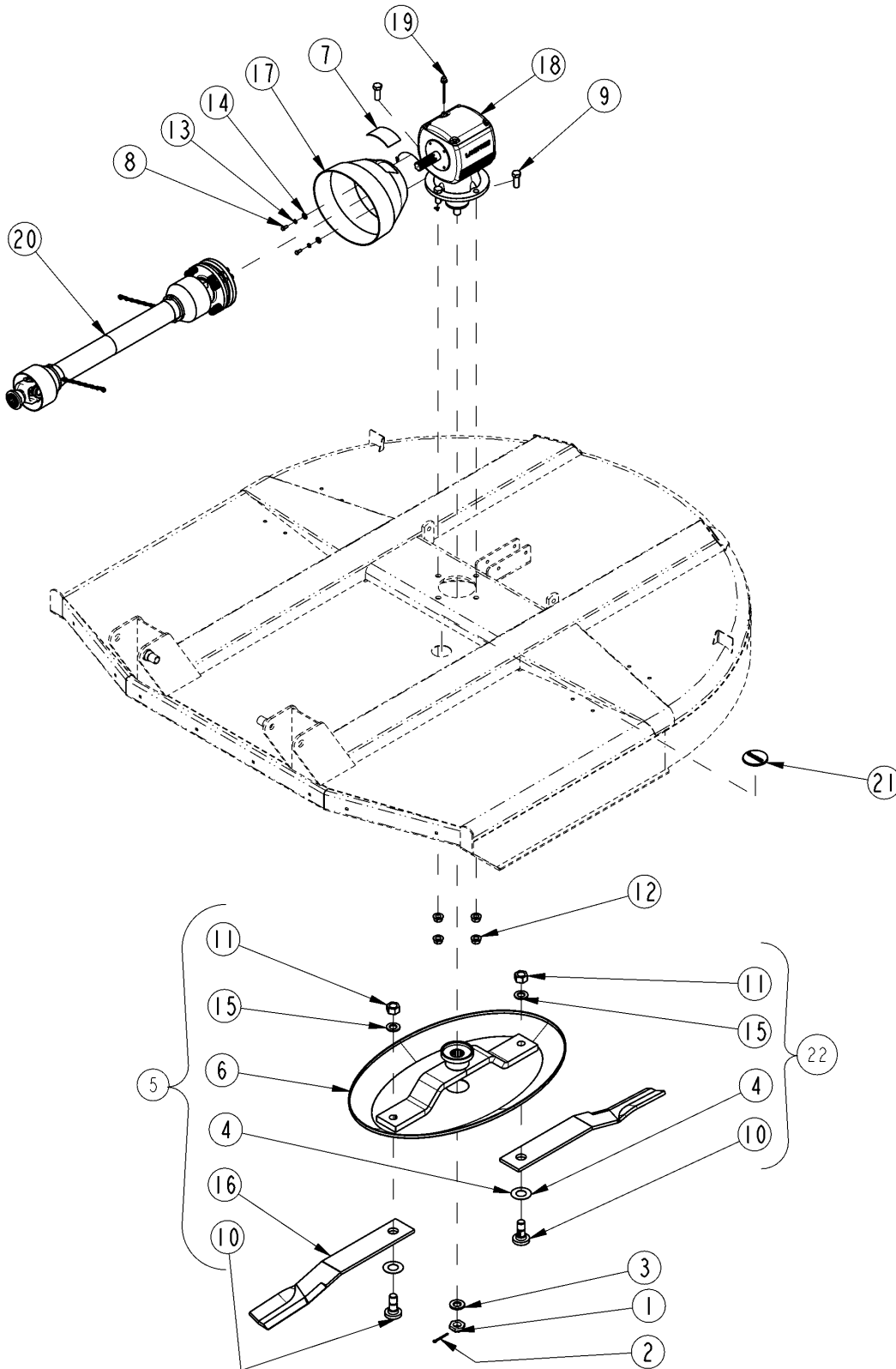
24762

Hitch Components**Applies to RCR1884**

Ref	Part No.	Part Description	Comments	Revision
	dwg24762	Drawing Image Number		
1.	326-188D	PIN, STOP		
2.	326-317D	HITCH STRAP		
3.	326-319D	REAR BRACE		
4.	326-320D	REAR BRACE HINGE		
5.	326-329D	SPACER 1 1/4 ODX25/32 IDX1 3/4		
6.	802-053C	HHCS 5/8-11X1 3/4 GR5		
7.	802-192C	HHCS 3/4-10X4 1/2 GR5		
8.	803-180C	NUT HEX 1 1/4-12 PLT TOP LOCK		
9.	803-181C	NUT HEX FLANGE LOCK 3/4-10 PLT		
10.	803-263C	NUT HEX FLANGE LOCK 5/8-11 PLT		
11.	804-024C	WASHER FLAT 3/4 USS PLT		
12.	804-039C	WASHER FLAT 1 1/4 SAE PLT		
13.	804-156C	WASHER MACH 1 1/4X3/4X14GA		
14.	805-103C	PIN LINCH 7/16 X 1 3/4		
15.	805-109C	PIN COTTER 1/8 X 1 1/4 PLT		
16.	805-388C	PIN HITCH CAT. I-II		
17.	827-071C	BUSHING STEP 1.25ODX.765IDX.70 EA	Optional Does Not Come W/ Unit	

Blade Drive

Applies to RCR1884



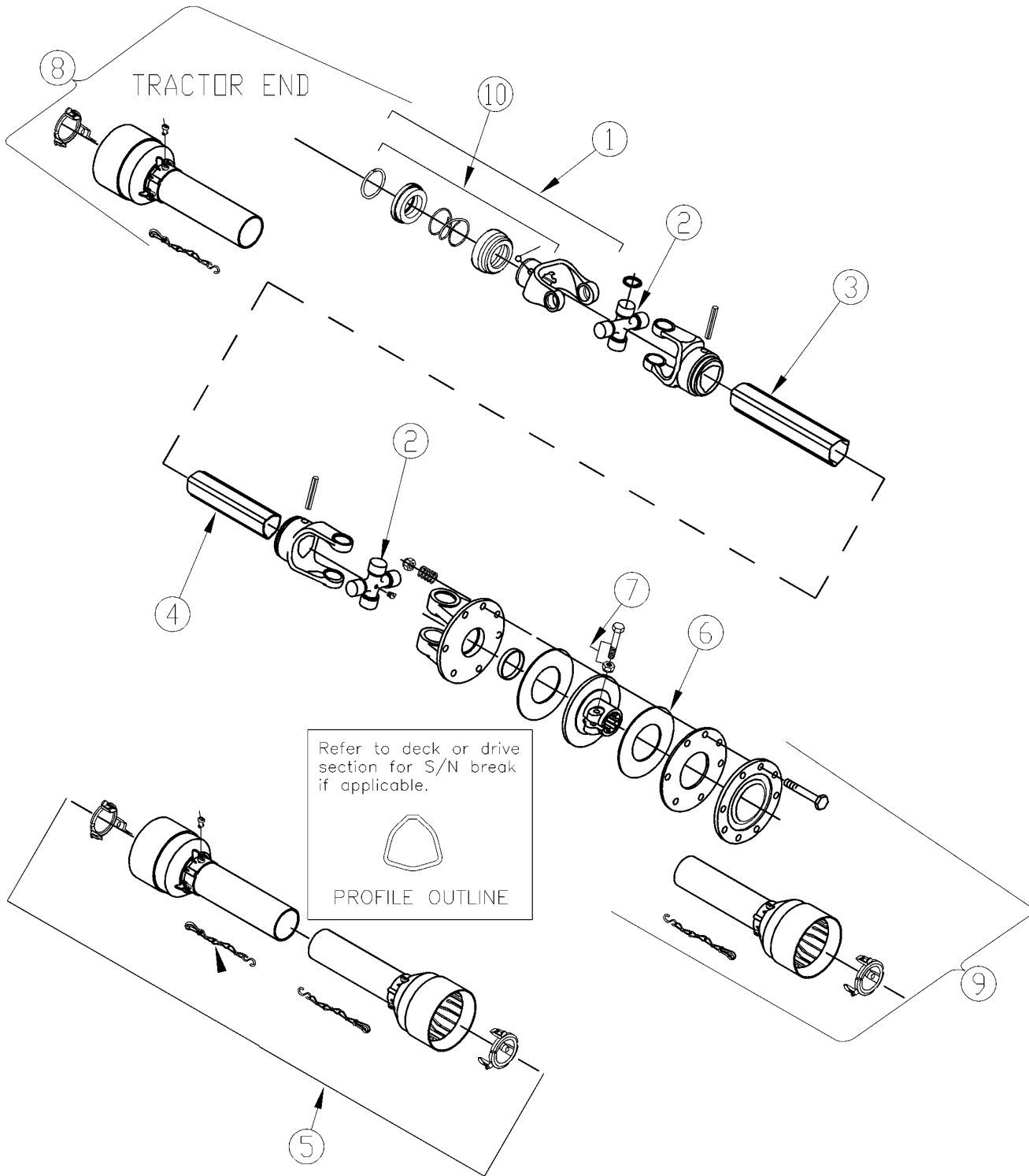
24763

Blade Drive**Applies to RCR1884**

Ref	Part No.	Part Description	Comments	Revision
	dwg24763	Drawing Image Number		
1.	8.2.2.00555	CO NUT, CASTLE M30 X 2		
2.	8.4.7.00146	CO COTTER PIN B6 X 60		
3.	0.139.7101.00	CO BLANK WASHER		
4.	312-075D	BLADE SPACER 16 GA .06 thick	As Required	
4.	312-082D	BLADE SPACER 18 GA .05 thick	As Required	
4.	312-089D	BLADE SPACER 20 GA .04 thick	As Required	
4.	312-808D	BLADE SPACER 24GA .03 thick	As Required	
5.	312-853S	RCR1884 BLADE CARRIER ASSY		
6.	312-881H	27X10G OVAL DISPAN WELDMENT		
7.	38/11	MCCN ACCESS COVER		
8.	802-007C	HHCS 5/16-18X3/4 GR5		
9.	802-065C	HHCS 3/4-10X2 1/4 GR5	S/N 558465+	
9.	802-064C	HHCS 3/4-10X2 GR5	S/N 558464-	
10.	802-277C	BLADE BOL 1 1/8-12X3 7/16 W/KY		
11.	803-170C	NUT HEX TOP LOCK 1 1/8-12 PLT.		
12.	803-299C	NUT HEX FLG TOP LK 3/4-10 PLT		
13.	804-009C	WASHER LOCK SPRING 5/16 PLT		
14.	804-010C	WASHER FLAT 5/16 USS PLT		
15.	804-147C	WASHER FLAT 1 HARD ASTM436 PN		
16.	820-138C	CUTTER BLADE 1/2 X 4 X 31 CCW		
17.	826-222C	LARGE SHAFT CONE W ACCESS DOOR		
18.	826-376C	GBOX RC25 1.38-6 1:1.47 STD.		
18.	826-376C81	GBOX RC25 1.38-6 1:1.47 STD. GREEN		
18.	826-376C82	GBOX RC25 1.38-6 1:1.47 STD. ORANGE		
18.	826-376C83	GBOX RC25 1.38-6 1:1.47 STD. RED		
19.	826-490C	COMER U0.210.7100.00 DIPSTICK		
20.	826-510C	PTO CAT. 4 X 48.42 SLIP CLUTCH		
21.	840-273C	PLUG LP 3" ID RUBBER		
22.	318-586A	BLADE BOLT KIT		

Driveline w/ Slip Clutch (826-510C)

Applies to RCR1884



24771

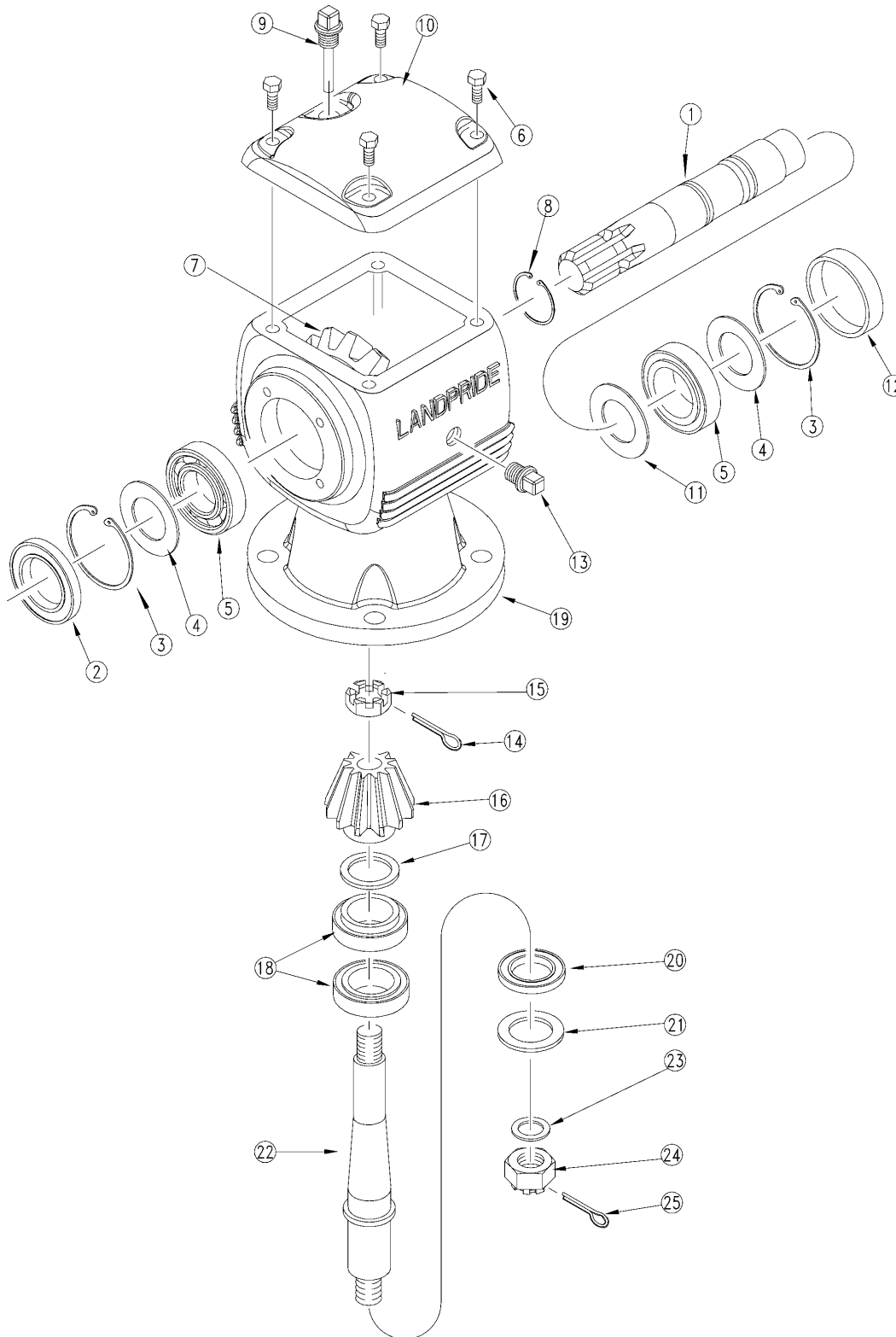
Driveline w/ Slip Clutch (826-510C)

Applies to RCR1884

Ref	Part No.	Part Description	Comments	Revision
	dwg24771	Drawing Image Number		
	826-510C	PTO CAT. 4 X 48.42 SLIP CLUTCH *		
1.	141.025.363.1	CO COMPLETE COLLAR YOKE C12		
2.	180.015.130	COMER CROSS JOURNAL SET		
3.	152.150.2140710	CO COMPLETE OUTER TUBE		
4.	153.150.114	CO INNER TUBE		
5.	142.250.3707521	CO COMP. GUARD W/INST. MANUAL		
6.	180.019.018	COMER LINING RING		
7.	N/A	CO BOLT M12X1,25X65 & NUT		
8.	123.350.175.11	CO HALF FEMALE SHAFT W/GUARD		
9.	123.450.155.11	CO HALF MALE SHAFT W/GUARD		
10.	165.000.628	COMER COLLER KIT 3/8 YOKE		

Gearbox (826-376C)

Applies to RCR1884



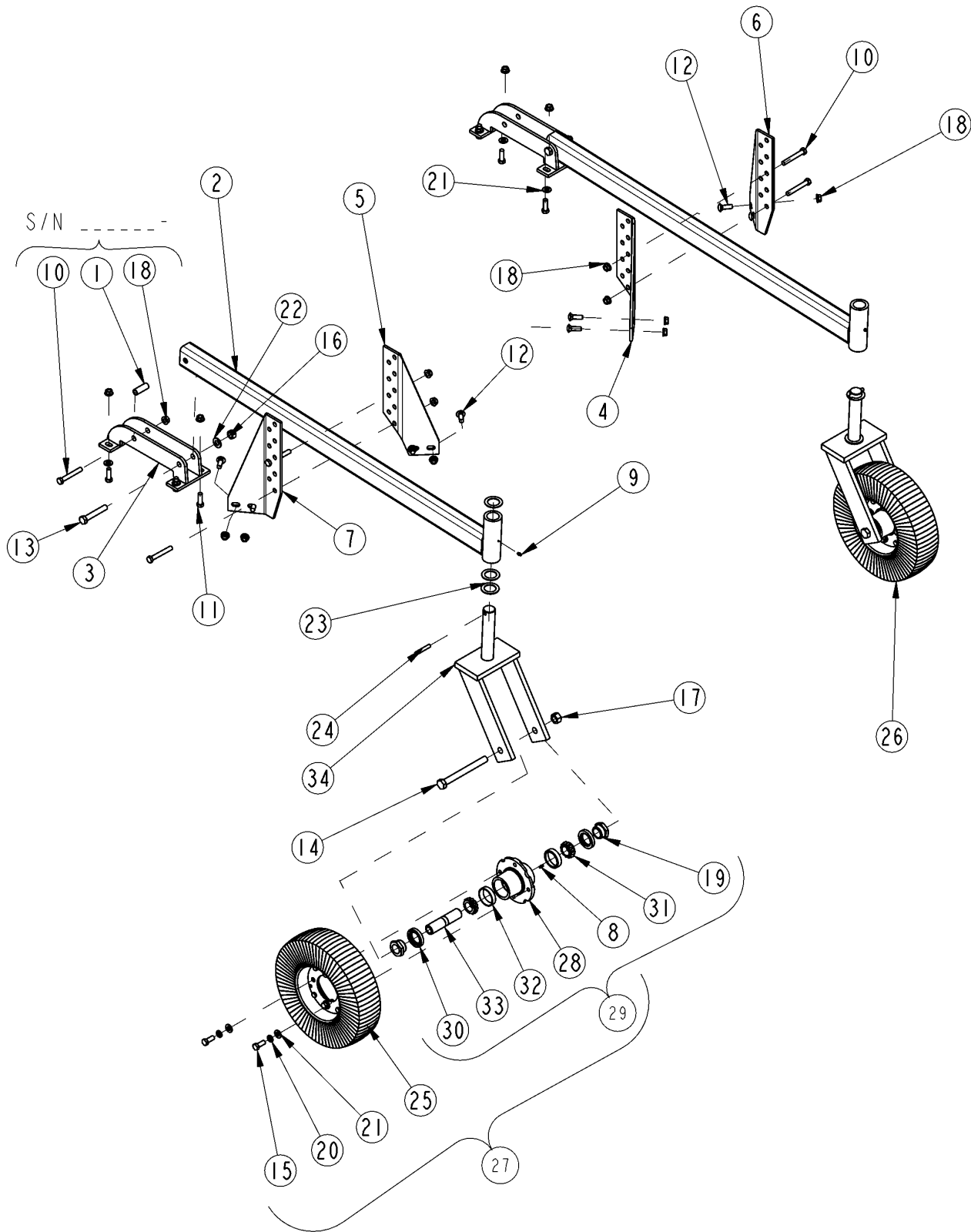
21186

Gearbox (826-376C)**Applies to RCR1884**

Ref	Part No.	Part Description	Comments	Revision
	dwg21186	Drawing Image Number		
	826-376C	GBOX RC25 1.38-6 1:1.47 STD. *		
1.	0.210.2000.00	CO INPUT SHAFT 1.38-6		
2.	8.7.3.00331	CO OIL SEAL 45 X 85 X 10		
3.	8.5.2.00332	CO SNAP RING UNI 7437		
4.	0.709.7500.00	CO SHIM 84.7		
5.	8.0.9.00143	CO BEARING 30209 RTA25		
6.	8.1.1.00501	CO BOLT M8X22 HHB		
7.	0.210.6001.00	CO GEAR CROWN Z23 M6		
8.	8.5.1.00533	CO SNAP RING 50 UNI7435		
9.	826-490C	COMER U0.210.7100.00 DIPSTICK		
10.	0.210.1300.00	CO COVER		
11.	0.252.7525.00	CO SHIM 45.3X2.5		
12.	0.121.7101.00	CO CAP		
13.	8.6.6.00201	CO PLUG 3/8 GAS		
14.	8.4.7.02265	CO COTTER PIN B 5X60		
15.	0.132.7106.00	CO NUT M30 X 1.5		
16.	0.210.5001.00	CO PINION Z16 M6		
17.	0.712.7500.00	CO SHIM 50.3X70.3		
18.	04-011	ITG BEARING ASSEMBLY		
19.	0.210.0300.00	CO CASTING & MACHINE		
20.	8.7.1.01107	CO SEAL (50x90x10)		
21.	0.139.7100.00	CO SEAL RETAINER		
22.	0.210.3001.00	CO OUTPUT SHAFT		
23.	0.139.7101.00	CO BLANK WASHER		
24.	8.2.2.00555	CO NUT, CASTLE M30 X 2		
25.	8.4.7.00146	CO COTTER PIN B6 X 60		

Gauge Wheel Dual

Applies to RCR1884



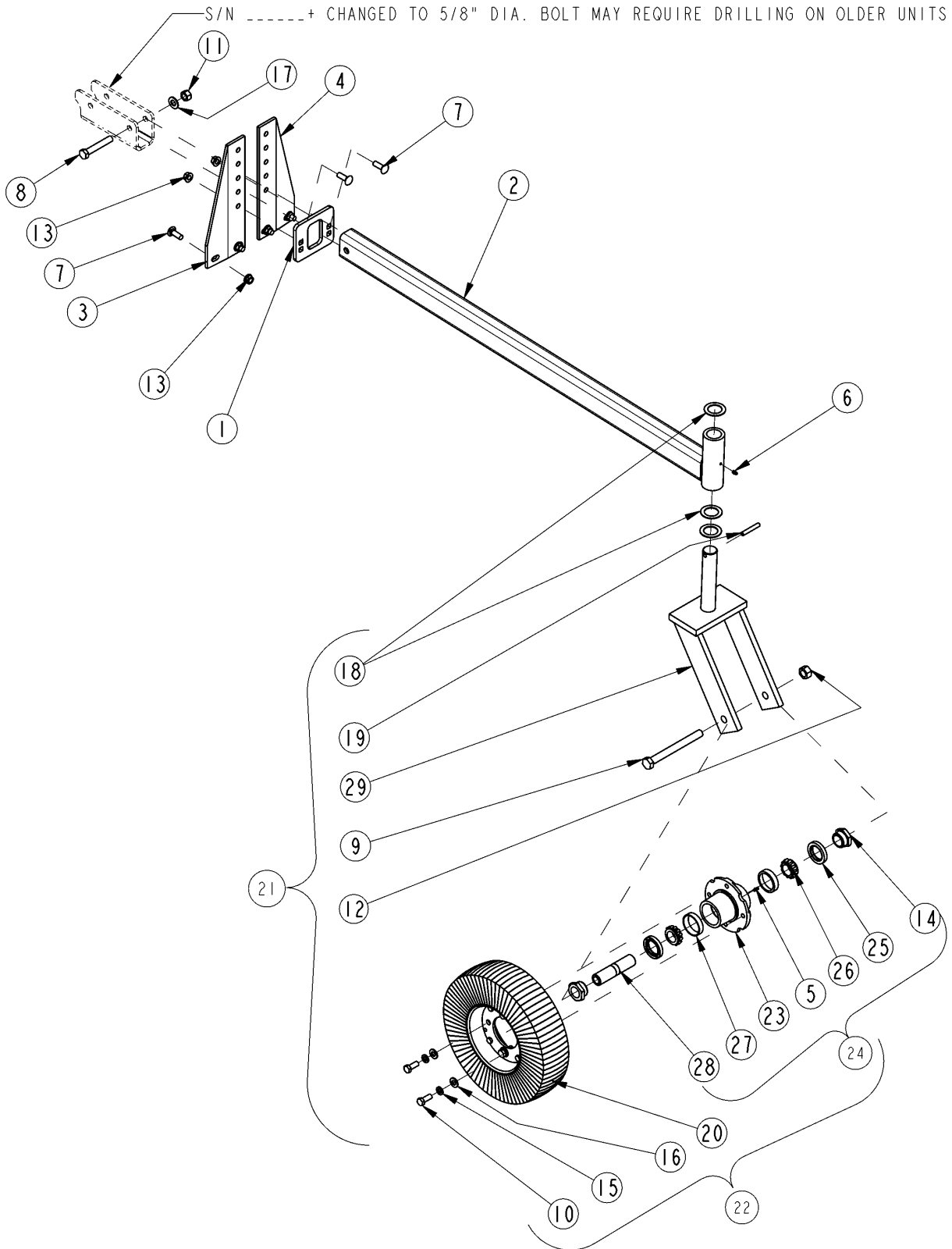
24769

Gauge Wheel Dual**Applies to RCR1884**

Ref	Part No.	Part Description	Comments	Revision
	dwg24769	Drawing Image Number		
1.	312-629D	SPACER TUBE 3/4 OD X 2 1/32		
2.	312-879H	WELDMENT TAILWHEEL BEAM	S/N _____+ Changed To 5/8" Dia. Bolt May Require Drilling On Older Units	
3.	326-035H	DUAL TAILWHEEL BRKT. WELDMENT	S/N _____+ Changed To 5/8" Dia. Bolt May Require Drilling On Older Units	
4.	326-294D	ADJ. BRACKET INNER R.H.		
5.	326-295D	ADJ. BRACKET INNER L.H.		
6.	326-296D	ADJ. BRACKET OUTER R.H.		
7.	326-297D	ADJ. BRACKET OUTER L.H.		
8.	800-001C	GREASE ZERK STRAIGHT 1/4-28		
9.	800-080C	GREASE ZERK 1/4-28 THD FORMING		
10.	802-041C	HHCS 1/2-13X3 1/2 GR5		
11.	802-091C	HHCS 1/2-13X1 1/2 GR5		
12.	802-106C	RHSNB 1/2-13X1 1/2 GR5		
13.	802-153C	HHCS 5/8-11X3 3/4 GR5	S/N _____+	
13.	802-041C	HHCS 1/2-13X3 1/2 GR5	S/N _____-	
14.	802-280C	HHCS 3/4-10X7 1/2 GR5		
15.	802-326C	HHCS 1/2-20X1 1/4 GR5		
16.	803-024C	NUT LOCK 5/8-11 PLT	S/N _____+	
16.	803-169C	NUT HEX FLG. LOCK 1/2-13 PLT.	S/N _____-	
17.	803-026C	NUT LOCK 3/4-10 PLT		
18.	803-169C	NUT HEX FLG. LOCK 1/2-13 PLT.		
19.	803-289C	NUT HEX 1 1/4-7(MACHINED)PLAIN		
20.	804-015C	WASHER LOCK SPRING 1/2 PLT		
21.	804-016C	WASHER FLAT 1/2 SAE PLT		
22.	804-021C	WASHER FLAT 5/8 SAE PLT	S/N _____+	
23.	804-066C	WASHER MACH 2.25 X 1.50 X 14GA		
24.	805-255C	PIN ROLL 3/8 X 2 1/2 PLT		
25.	814-058C	TIRE & WHEEL LAMINATED 4.0 X 8		
26.	814-161C	LAM 4X8 TR-WL-HUB-YOKE 25 SER.		
27.	814-162C	LAM 4 X 8 TR-WHEEL-HUB 25 SER.		
28.	815-091C	HUB 4 BOLT		
29.	815-092C	HUB & SPINDLE ASSY 4 BOLT		
30.	816-286C	OIL SEAL DBL LIP 2.441 BORE		
31.	822-091C	BRG CONE 15123		
32.	822-092C	BRG CUP 15245		
33.	827-036C	BUSHING TW 1.25ODX.78IDX5 1/4		
34.	890-961C	RC25 TAILWHEEL YOKE		

Gauge Wheel Single

Applies to RCR1884



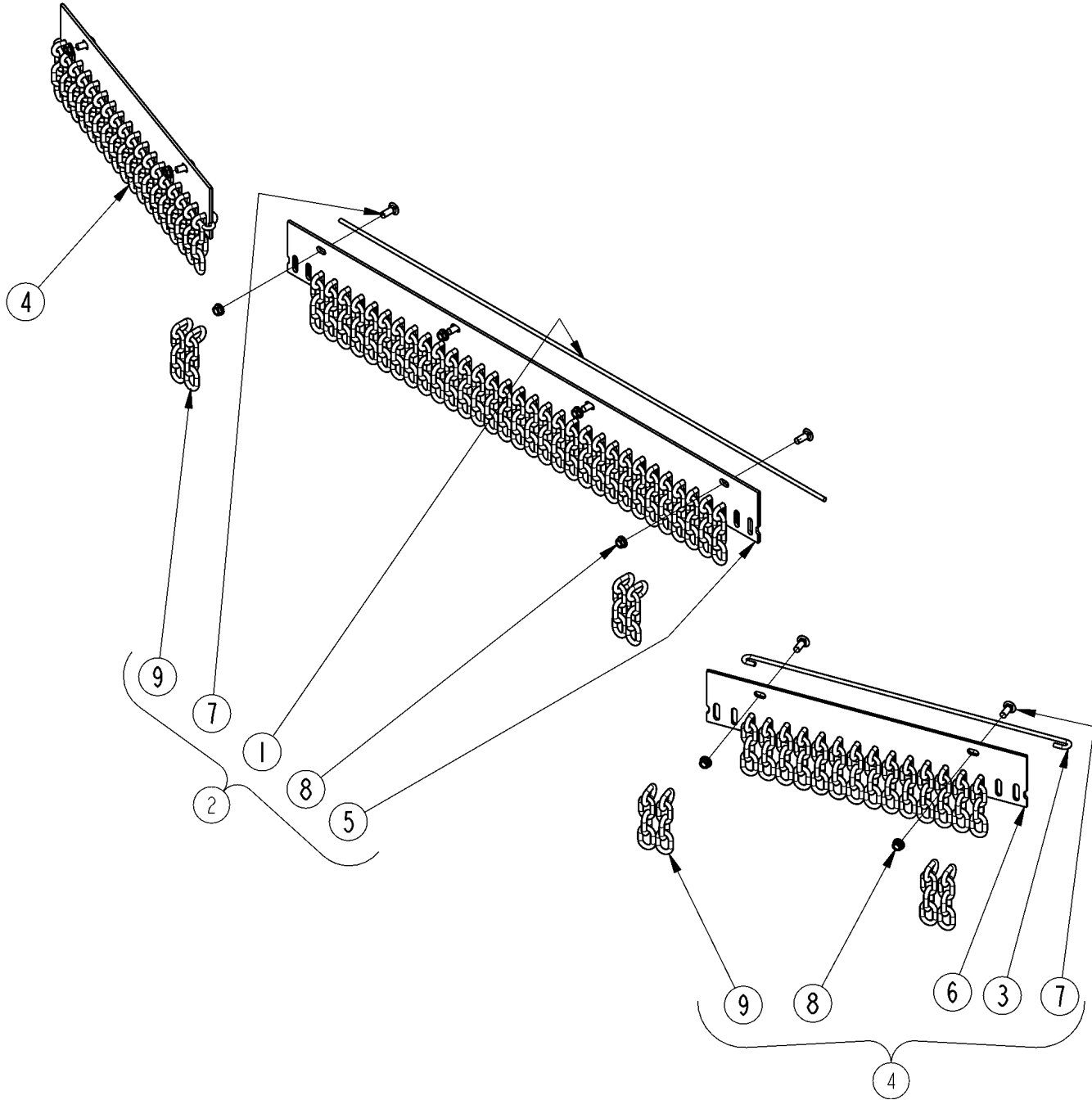
24768

Gauge Wheel Single**Applies to RCR1884**

Ref	Part No.	Part Description	Comments	Revision
	dwg24768	Drawing Image Number		
1.	312-616D	TAILWHEEL ARM ADJUST PLATE		
2.	312-879H	WELDMENT TAILWHEEL BEAM	S/N _____+ Changed To 5/8" Dia. Bolt May Require Drilling On Older Units	
3.	326-365D	TAILWHEEL VERT. SUPPORT LH		
4.	326-366D	TAILWHEEL VERT. SUPPORT RH		
5.	800-001C	GREASE ZERK STRAIGHT 1/4-28		
6.	800-080C	GREASE ZERK 1/4-28 THD FORMING		
7.	802-106C	RHSNB 1/2-13X1 1/2 GR5		
8.	802-153C	HHCS 5/8-11X3 3/4 GR5	S/N _____+	
8.	802-041C	HHCS 1/2-13X3 1/2 GR5	S/N _____-	
9.	802-280C	HHCS 3/4-10X7 1/2 GR5		
10.	802-326C	HHCS 1/2-20X1 1/4 GR5		
11.	803-024C	NUT LOCK 5/8-11 PLT	S/N _____+	
11.	803-169C	NUT HEX FLG. LOCK 1/2-13 PLT.	S/N _____-	
12.	803-026C	NUT LOCK 3/4-10 PLT		
13.	803-169C	NUT HEX FLG. LOCK 1/2-13 PLT.		
14.	803-289C	NUT HEX 1 1/4-7(MACHINED)PLAIN		
15.	804-015C	WASHER LOCK SPRING 1/2 PLT		
16.	804-016C	WASHER FLAT 1/2 SAE PLT		
17.	804-021C	WASHER FLAT 5/8 SAE PLT	S/N _____+	
18.	804-066C	WASHER MACH 2.25 X 1.50 X 14GA		
19.	805-255C	PIN ROLL 3/8 X 2 1/2 PLT		
20.	814-058C	TIRE & WHEEL LAMINATED 4.0 X 8		
21.	814-161C	LAM 4X8 TR-WL-HUB-YOKE 25 SER.		
22.	814-162C	LAM 4 X 8 TR-WHEEL-HUB 25 SER.		
23.	815-091C	HUB 4 BOLT		
24.	815-092C	HUB & SPINDLE ASSY 4 BOLT		
25.	816-286C	OIL SEAL DBL LIP 2.441 BORE		
26.	822-091C	BRG CONE 15123		
27.	822-092C	BRG CUP 15245		
28.	827-036C	BUSHING TW 1.25ODX.78IDX5 1/4		
29.	890-961C	RC25 TAILWHEEL YOKE		

Guard Chain Front

Applies to RCR1884



24764

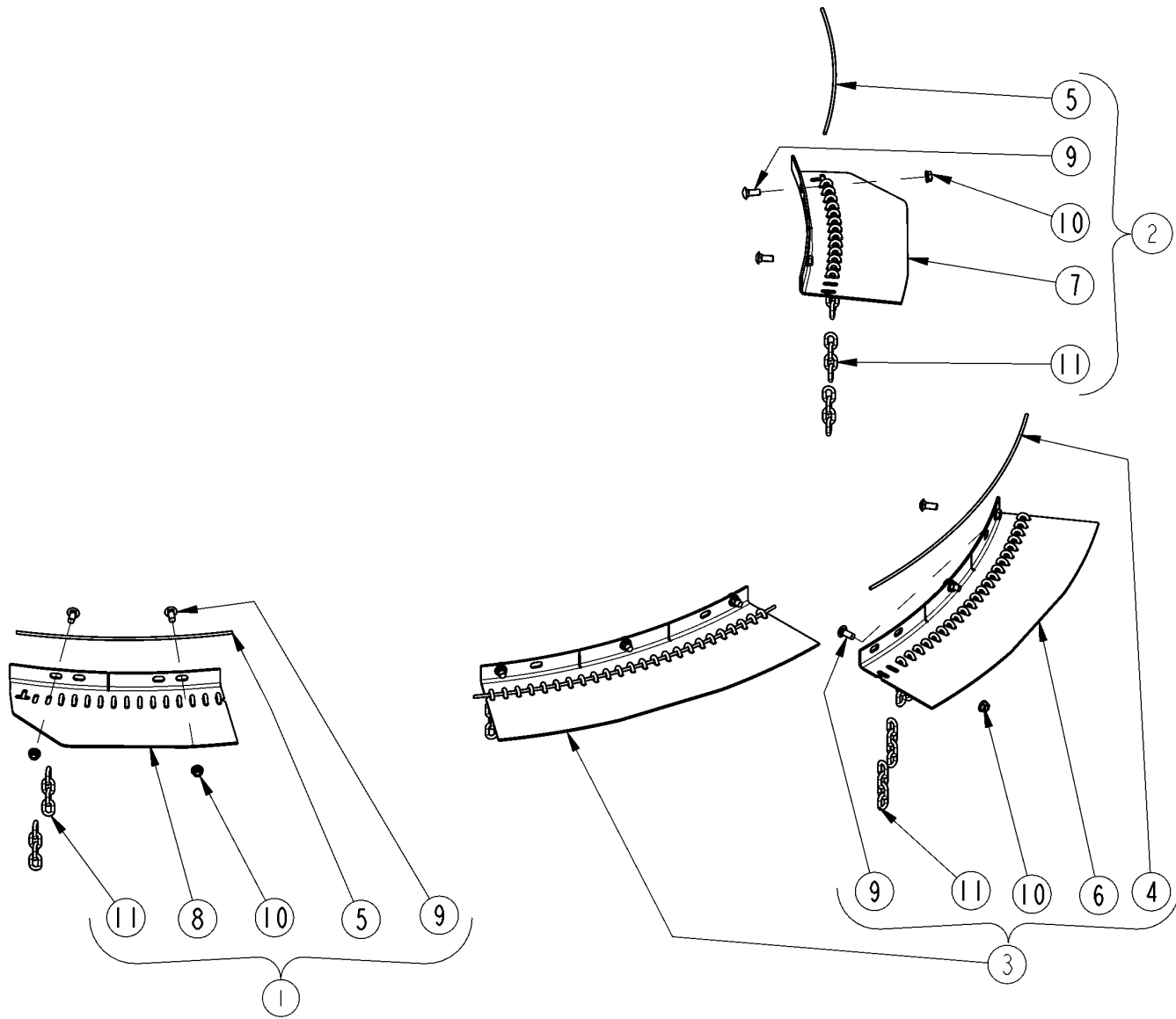
Guard Chain Front

Applies to RCR1884

Ref	Part No.	Part Description	Comments	Revision
	dwg24764	Drawing Image Number		
	312-869A	FRONT CHAIN GUARD ASSEMBLY		
	*			
1.	312-737D	ROD 1/4 X 43 PLTD.		
2.	312-870K	FRONT CHAIN GUARD ASSY		
3.	318-337D	ROUND ROD 1/4 X 25		
4.	326-034K	SIDE CHAIN GUARD ASSY		
5.	326-323D	FRONT CHAIN GUARD		
6.	326-362D	SIDE CHAIN GUARD		
7.	802-015C	RHSNB 3/8-16X1 GR5		
8.	803-198C	NUT HEX WHIZ 3/8-16 PLT		
9.	890-400C	CHAIN WELD 5/16 PROOF X 4 LINK		

Guard Chain Rear

Applies to RCR1884



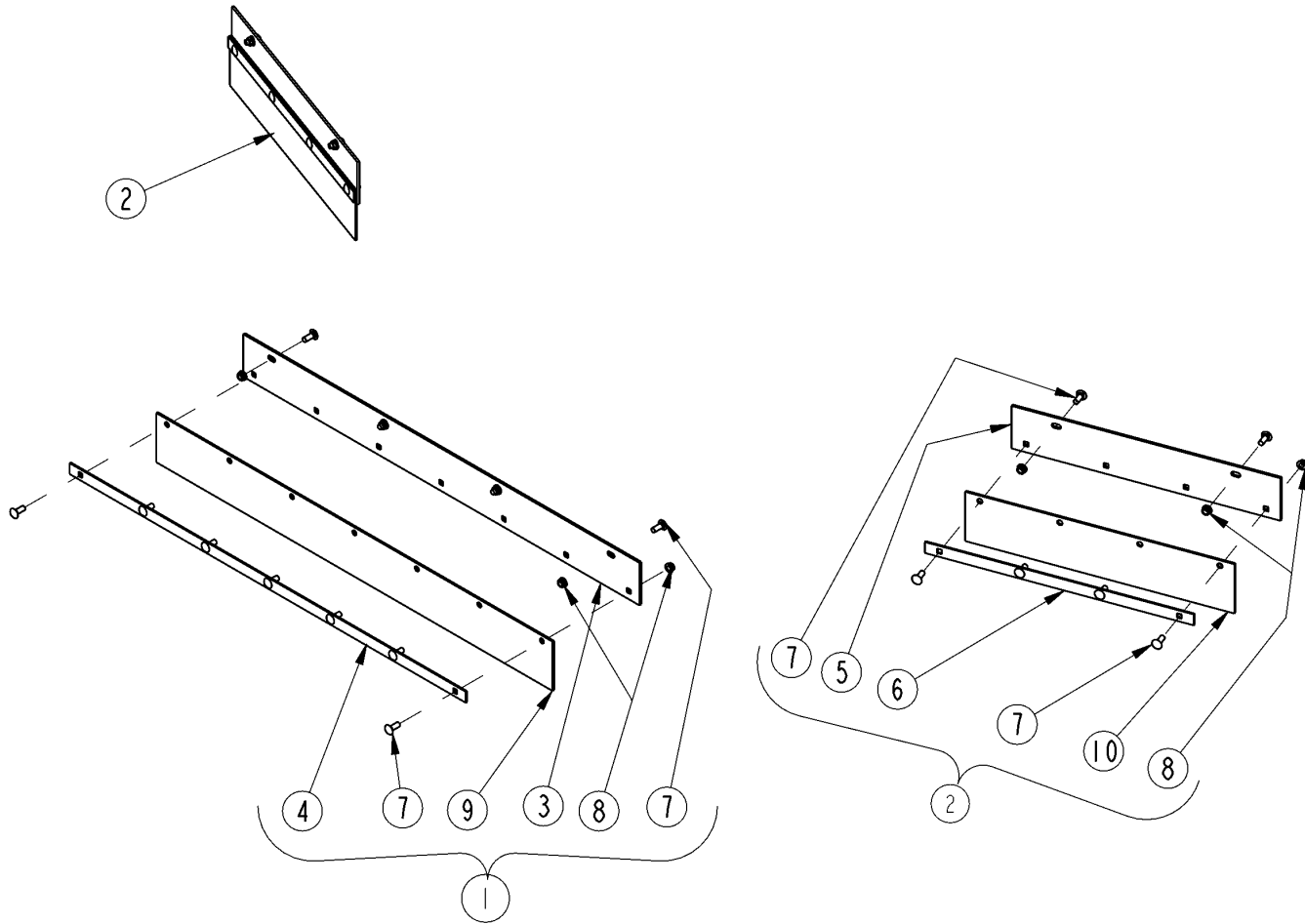
24766

Guard Chain Rear**Applies to RCR1884**

Ref	Part No.	Part Description	Comments	Revision
	dwg24766	Drawing Image Number		
	312-872A	REAR CHAIN GUARD ASSEMBLY *		
1.	312-873K	1884 LH REAR CHN GUARD ASSY		
2.	312-874K	1884 RH REAR CHN GUARD ASSY		
3.	312-875K	1884 CTR REAR CHN GUARD ASSY		
4.	312-891D	ROUND ROD 1/4 X 30 1/2		
5.	318-141D	ROUND ROD 1/4 X 19		
6.	326-324D	REAR CTR CHAIN GUARD		
7.	326-325D	REAR RH CHAIN GUARD		
8.	326-326D	REAR LH CHAIN GUARD		
9.	802-214C	RHSNB 1/2-13X1 1/4 GR5		
10.	803-037C	NUT HEX WHIZ 1/2-13 PLT		
11.	890-400C	CHAIN WELD 5/16 PROOF X 4 LINK		

Guard Rubber Front

Applies to RCR1884



24765

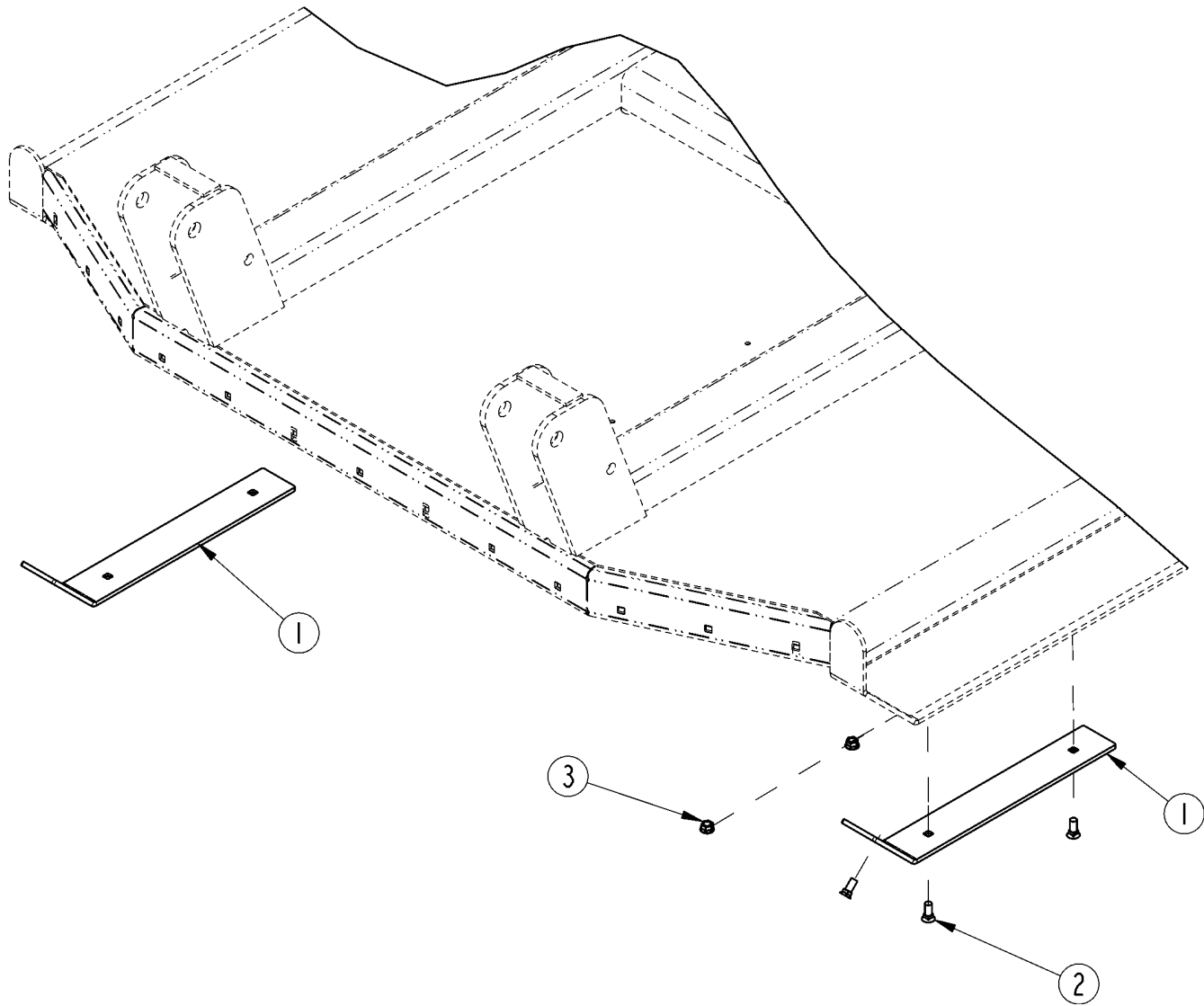
Guard Rubber Front

Applies to RCR1884

Ref	Part No.	Part Description	Comments	Revision
	dwg24765	Drawing Image Number		
	312-866A	1884 FRONT RUBBER COMPLETE *		
1.	312-867K	FRONT RUBBER DEFLECTOR ASSY		
2.	326-033K	SIDE RUBBER DEFLECTOR ASSY		
3.	326-321D	FRONT DEFLECTOR BRACKET		
4.	326-322D	DEFLECTOR SUPPORT FLAT		
5.	326-360D	SIDE DEFLECTOR BRACKET		
6.	326-361D	SIDE DEFLECTOR SUPPORT FLAT		
7.	802-015C	RHSNB 3/8-16X1 GR5		
8.	803-198C	NUT HEX WHIZ 3/8-16 PLT		
9.	816-526C	RUBBER DEFLECTOR		
10.	816-538C	SIDE RUBBER DEFLECTOR		

Skid Shoe Kit

Applies to RCR1884



25895

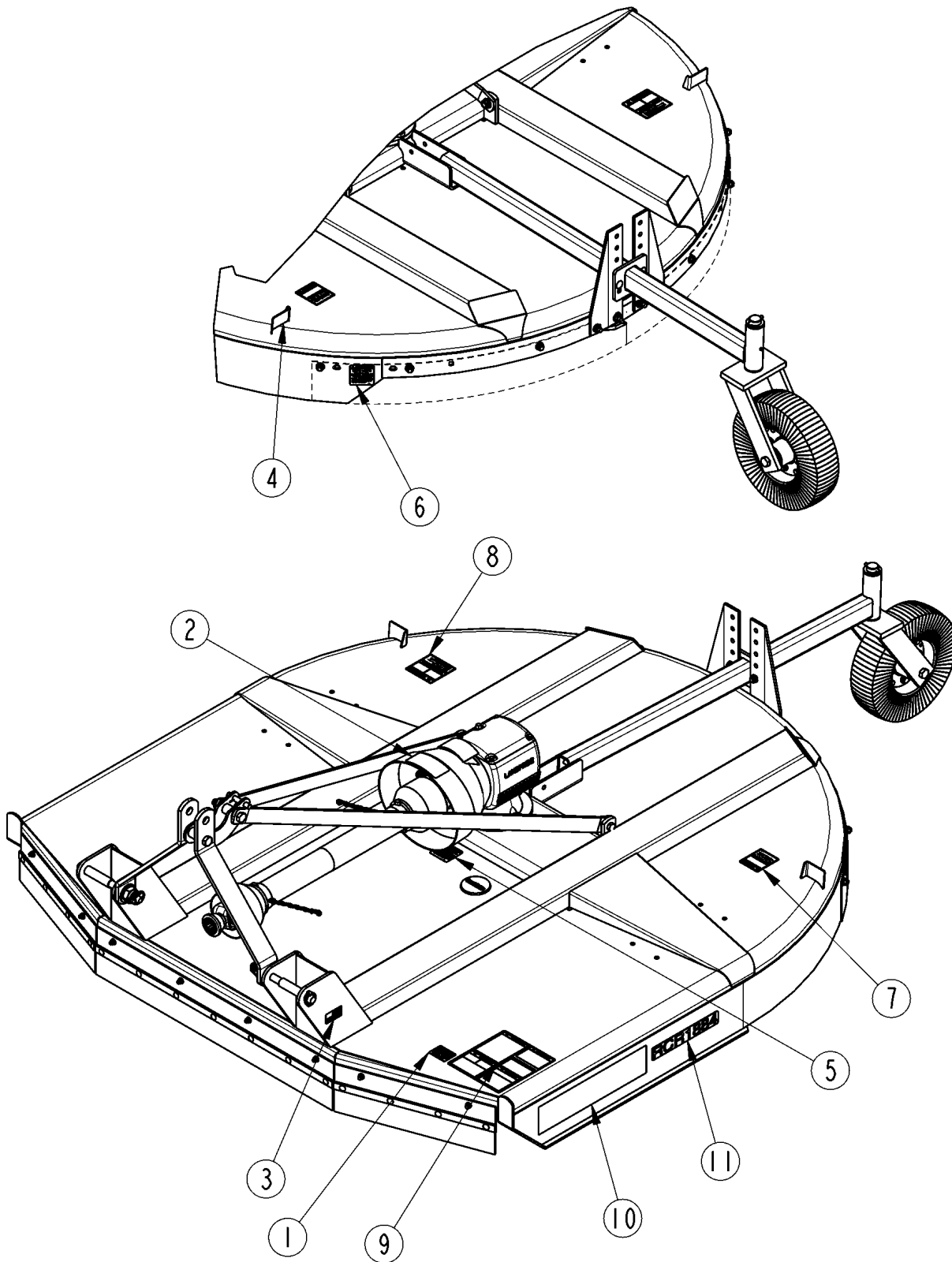
Skid Shoe Kit

Applies to RCR1884

Ref	Part No.	Part Description	Comments	Revision
	dwg25895 326-120A	Drawing Image Number RCR18 SKID SHOE KIT	S/N _____ + Accessory Order Thru Parts Department	
		*		
1.	326-221D	SKID SHOE RCR18		
2.	802-603C	PLOW 3/8-16X1 GR5		
3.	803-209C	NUT FLANGE LOCK 3/8-16 PLT		

Label Placement

Applies to RCR1884



24770

Label Placement**Applies to RCR1884**

Ref	Part No.	Part Description	Comments	Revision
	dwg24770	Drawing Image Number		
1.	818-130C	DECAL CAUTION 540 RPM		
2.	818-142C	DECAL DANGER PTO DRIVELINE EN		
3.	818-190C	DECAL FLAG		
4.	818-230C	DECAL RED REFLECTOR		
5.	818-543C	DECAL DANGER PD GUARD MISS SML		
6.	818-543C	DECAL DANGER PD GUARD MISS SML		
7.	818-556C	DECAL DANGER THROWN OBJ CUTTER		
8.	818-564C	DECAL DANGER ROTATING BLADES		
9.	818-830C	DECAL SAFETY COMBO SUNWEST		
10.	818-903C	DECAL LANDPRIDE 19" - BROWN	Beige Unit	
10.	838-965C	DECAL LANDPRIDE 16" BROWN/GOLD	Orange, Red & Green Unit	
11.	838-895C	DECAL RCR1884	Beige Unit	
11.	848-121C	DECAL RCR1884-GOLD	Orange, Red & Green Unit	



Part Number Index

The Part Number Index is a numeric index of all part numbers included in this manual. The index shows what page(s) the part is used on.

Part Number	Page	Part Number	Page	Part Number	Page
*	13, 15, 21, 23, 25, 27	326-327D	7	818-130C	29
0.121.7101.00	15	326-329D	9	818-142C	29
0.132.7106.00	15	326-360D	25	818-190C	29
0.139.7100.00	15	326-361D	25	818-230C	29
0.139.7101.00	11, 15	326-362D	21	818-543C	29
0.210.0300.00	15	326-365D	19	818-556C	29
0.210.1300.00	15	326-366D	19	818-564C	29
0.210.2000.00	15	38/11	11	818-830C	29
0.210.3001.00	15	8.0.9.00143	15	818-903C	29
0.210.5001.00	15	8.1.1.00501	15	820-138C	11
0.210.6001.00	15	8.2.2.00555	11, 15	822-091C	17, 19
0.252.7525.00	15	8.4.7.00146	11, 15	822-092C	17, 19
0.709.7500.00	15	8.4.7.02265	15	826-222C	11
0.712.7500.00	15	8.5.1.00533	15	826-376C	11, 15
04-011	15	8.5.2.00332	15	826-376C81	11
123.350.175.11	13	8.6.6.00201	15	826-376C82	11
123.450.155.11	13	8.7.1.01107	15	826-376C83	11
141.025.363.1	13	8.7.3.00331	15	826-490C	11, 15
142.250.3707521	13	800-001C	17, 19	826-510C	11, 13
152.150.2140710	13	800-080C	17, 19	827-036C	17, 19
153.150.114	13	802-007C	11	827-071C	9
165.000.628	13	802-015C	21, 25	838-895C	29
180.015.130	13	802-041C	17, 19	838-965C	29
180.019.018	13	802-053C	9	840-273C	11
312-075D	11	802-064C	11	848-121C	29
312-082D	11	802-065C	11	890-400C	21, 23
312-089D	11	802-091C	17	890-961C	17, 19
312-616D	19	802-106C	17, 19	dwg21186	15
312-629D	17	802-153C	17, 19	dwg24761	7
312-737D	21	802-183C	7	dwg24762	9
312-808D	11	802-192C	9	dwg24763	11
312-853S	11	802-214C	23	dwg24764	21
312-866A	25	802-277C	11	dwg24765	25
312-867K	25	802-280C	17, 19	dwg24766	23
312-869A	21	802-326C	17, 19	dwg24768	19
312-870K	21	802-603C	27	dwg24769	17
312-872A	23	803-024C	17, 19	dwg24770	29
312-873K	23	803-026C	17, 19	dwg24771	13
312-874K	23	803-037C	7, 23	dwg25895	27
312-875K	23	803-169C	17, 19	N/A	13
312-879H	17, 19	803-170C	11		
312-881H	11	803-180C	9		
312-891D	23	803-181C	9		
318-141D	23	803-198C	21, 25		
318-337D	21	803-209C	27		
318-586A	11	803-263C	9		
326-019H	7	803-289C	17, 19		
326-019H81	7	803-299C	11		
326-019H82	7	804-009C	11		
326-019H83	7	804-010C	11		
326-033K	25	804-015C	17, 19		
326-034K	21	804-016C	17, 19		
326-035H	17	804-021C	17, 19		
326-120A	27	804-024C	9		
326-188D	9	804-039C	9		
326-221D	27	804-066C	17, 19		
326-294D	17	804-147C	11		
326-295D	17	804-156C	9		
326-296D	17	805-103C	9		
326-297D	17	805-109C	9		
326-317D	9	805-255C	17, 19		
326-319D	9	805-388C	9		
326-320D	9	814-058C	17, 19		
326-321D	25	814-161C	17, 19		
326-322D	25	814-162C	17, 19		
326-323D	21	815-091C	17, 19		
326-324D	23	815-092C	17, 19		
326-325D	23	816-286C	17, 19		
326-326D	23	816-526C	25		
		816-538C	25		

This Page Intentionally Left Blank



Great Plains Manufacturing, Inc.

Corporate Office: P.O. Box 5060
Salina, Kansas 67402-5060 USA

www.landpride.com

Free Manuals Download Website

<http://myh66.com>

<http://usermanuals.us>

<http://www.somanuals.com>

<http://www.4manuals.cc>

<http://www.manual-lib.com>

<http://www.404manual.com>

<http://www.luxmanual.com>

<http://aubethermostatmanual.com>

Golf course search by state

<http://golfingnear.com>

Email search by domain

<http://emailbydomain.com>

Auto manuals search

<http://auto.somanuals.com>

TV manuals search

<http://tv.somanuals.com>