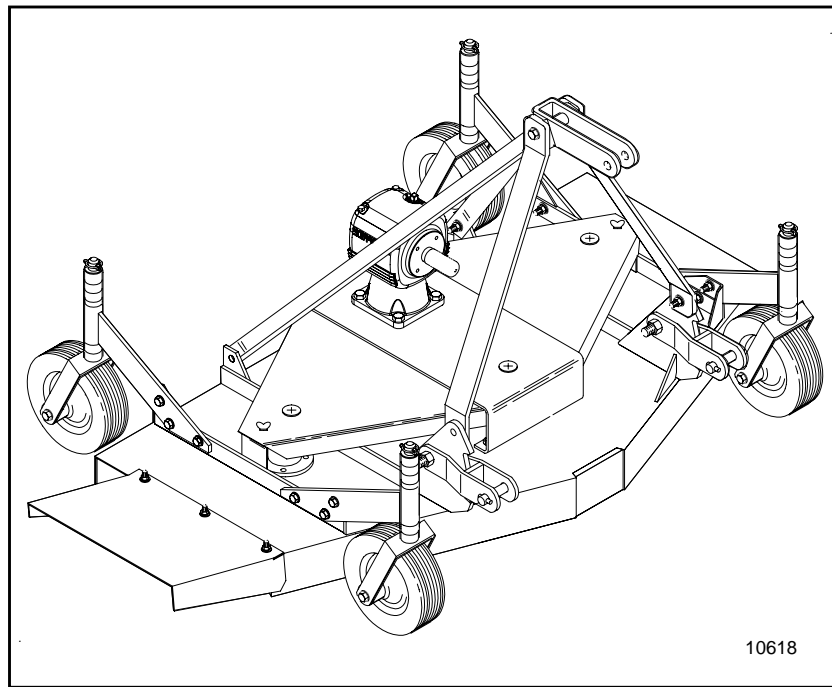


Operator's Manual

FD1548 & FD1560
3-Spindle Grooming Mower



Read the Operator's manual entirely. When you see this symbol, the subsequent instructions and warnings are serious - follow without exception. Your life and the lives of others depend on it!



10618

Cover illustration may show optional equipment not supplied with standard unit.

Table of Contents

Important Safety Information	1	Section 4 Troubleshooting	13
Be Aware of Signal Words	1	Section 5 Maintenance and Lubrication .14	
Safety Labels	4	Maintenance	14
Introduction	7	General Description	14
Using This Manual	7	General Maintenance	14
Terminology:	7	Blade Sharpening	14
Definitions:	7	Blade Replacement	14
Owner Assistance	7	FD1548 V-BELT INSTALLATION	14
Section 1 Assembly and Setup	8	FD1560 V-BELT INSTALLATION	14
Tractor Requirements	8	Belt Tension	14
Upper Hitch Arms Assembly	8	AIR TIRES (AIR PRESSURE):	14
Tractor Hookup	9	Service Mowing Blades	15
Driveline Installation	9	Blade Replacement	15
Section 2 Operating Instructions	10	Storage	15
Before You Start	10	Lubrication Legend	15
Prestart Checklist	10	PTO U-Joint	15
Operating Instructions	10	PTO Shaft	15
Transporting	10	Wheel Bushing	16
Section 3 Adjustments	11	Wheel Support Bushings	16
3-Point Hitch Adjustments	11	Bearing in Blade Spindle Hubs	16
Leveling the Mower	11	Section 6 Specifications & Capacities . .18	
Cutting Height Adjustment	11	Section 7 Appendix	19
Transporting	12	Torque Values Chart for Common Bolt Sizes	19
Belt Tension	12	Tire Inflation Chart	19
		Warranty	20

© Copyright 2008 All rights Reserved

Land Pride provides this publication "as is" without warranty of any kind, either expressed or implied. While every precaution has been taken in the preparation of this manual, Land Pride assumes no responsibility for errors or omissions. Neither is any liability assumed for damages resulting from the use of the information contained herein. Land Pride reserves the right to revise and improve its products as it sees fit. This publication describes the state of this product at the time of its publication, and may not reflect the product in the future. The illustrations in this manual are not intended for safe and proper assembly or disassembly of equipment. The illustrations are intended for ordering parts only.

Land Pride is registered trademark.

All other brands and product names are trademarks or registered trademarks of their respective holders.

Printed in the United States of America.

Important Safety Information

Important Safety Information

Be Aware of Signal Words

The word that designates a degree or level of hazard seriousness. The signal words are:

▲ DANGER

Indicates an imminently hazardous situation which, if not avoided, will result in death or serious injury. This signal word is limited to the most extreme situations, typically for machine components that, for functional purposes, cannot be guarded.

Indicates a potentially hazardous

▲ WARNING

situation which, if not avoided, could result in death or serious injury, and includes hazards that are exposed when guards are removed. It may also be used to alert against unsafe practices.

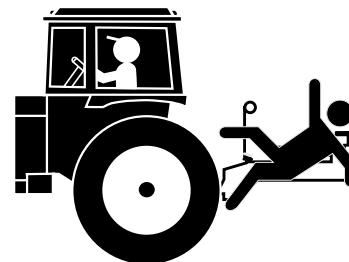
▲ CAUTION

potentially hazardous situation which, if not avoided, may result in minor or moderate injury. It may also be used to alert against unsafe practices.



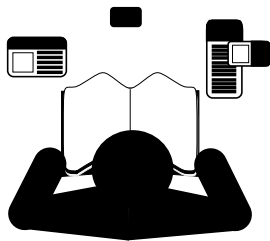
Keep Riders Off Machinery

- ▲ Riders obstruct the operator's view they could be struck by foreign objects or thrown from the machine.
- ▲ Never allow children to operate equipment.



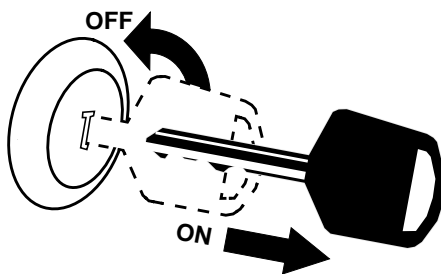
For Your Protection

- ▲ Thoroughly read and understand the "Safety Label" section, read all instructions noted on them.



Shutdown and Storage

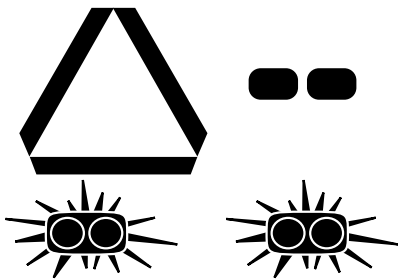
- ▲ Lower machine to ground, put tractor in park, turn off engine, and remove the key.
- ▲ Detach and store implements in a area where children normally do not play. Secure implement by using blocks and supports.



Important Safety Information

Use Safety Lights and Devices

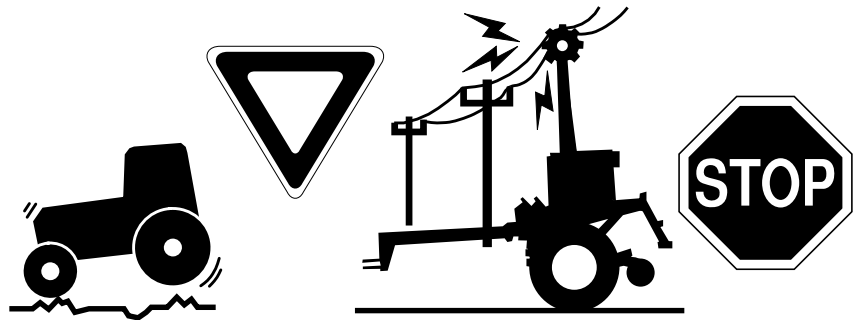
- ▲ Slow moving tractors, self-propelled equipment, and towed implements can create a hazard when driven on public roads. They are difficult to see, especially at night.
- ▲ Flashing warning lights and turn signals are recommended whenever driving on public roads. Use lights and devices provided with implement.



Transport Machinery Safely

- ▲ Comply with state and local laws.
- ▲ Maximum transport speed for implement is 20 mph. **DO NOT EXCEED.** Never travel at a speed which does not allow adequate control of steering and stopping. Some rough terrains require a slower speed.
- ▲ Sudden breaking can cause a towed load to swerve and upset. Reduce speed if towed load is not equipped with brakes.

- ▲ Use the following maximum speed - tow load weight ratios as a guideline:
- ▲ **20 mph** when weight is less than or equal to the weight of tractor.
- ▲ **10 mph** when weight is double the weight of tractor.
- ▲ **IMPORTANT:** Do not tow a load that is more than double the weight of tractor.



Practice Safe Maintenance

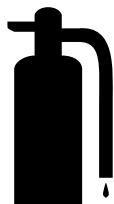
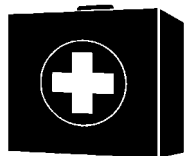
- ▲ Understand procedure before doing work. Use proper tools and equipment, refer to Operator's Manual for additional information.
- ▲ Work in a clean dry area.
- ▲ Lower the implement to the ground, put tractor in park, turn off engine, and remove key before performing maintenance.
- ▲ Allow implement to cool completely.
- ▲ Install all transport locks on raised drill before working underneath, refer to the Operator's Manual for quantity and location of transport locks.
- ▲ Do not grease or oil implement while it is in operation.
- ▲ Move the opener handle to the "ROAD" position and complete raising the openers to lock them up before working underneath them.
- ▲ Disk edges are sharp. Be careful when working in this area.
- ▲ Disconnect battery ground cable (-) before servicing or adjusting electrical systems or before welding on implement.
- ▲ Inspect all parts. Make sure parts are in good condition & installed properly.
- ▲ Remove buildup of grease, oil or debris.
- ▲ Remove all tools and unused parts from implement before operation.



Important Safety Information

Prepare for Emergencies

- ▲ Be prepared if a fire starts.
- ▲ Keep a first aid kit and fire extinguisher handy.
- ▲ Keep emergency numbers for doctor, ambulance, hospital and fire department near phone.



Wear Protective Equipment

- ▲ Protective clothing and equipment should be worn.
- ▲ Wear clothing and equipment appropriate for the job. Avoid loose fitting clothing.
- ▲ Prolonged exposure to loud noise can cause hearing impairment or hearing loss. Wear suitable hearing protection such as earmuffs or earplugs.
- ▲ Operating equipment safely requires the full attention of the operator. Avoid wearing radio headphones while operating machinery.



Tire Safety

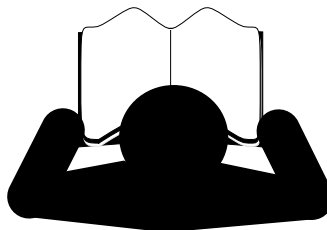
- ▲ Tire changing can be dangerous and should be performed by trained personnel using the correct tools and equipment.
- ▲ When inflating tires, use a clip-on chuck and extension hose long enough to allow you to stand to one side and NOT in front of or over the tire assembly. Use a safety cage if available.
- ▲ When removing and installing wheels, use wheel handling equipment adequate for the weight involved.



Safety at All Times

Thoroughly read and understand the instructions given in this manual before operation. Refer to the "Safety Label" section, read all instructions noted on them.

- ▲ Operator should be familiar with all functions of the unit.
- ▲ Operate implement from the driver's seat only.
- ▲ Do not leave tractor or implement unattended with engine running.
- ▲ Dismounting from a moving tractor could cause serious injury or death.
- ▲ Do not stand between the tractor and implement during hitching.
- ▲ Keep hands, feet, and clothing away from power-driven parts.
- ▲ Wear snug fitting clothing to avoid entanglement with moving parts.
- ▲ Watch out for wires, trees, etc., when folding and raising implement. Make sure all persons are clear of working area.
- ▲ Turning tractor too tight may cause implement to ride up on wheels. This could result in injury or equipment damage.



Important Safety Information

Safety Labels

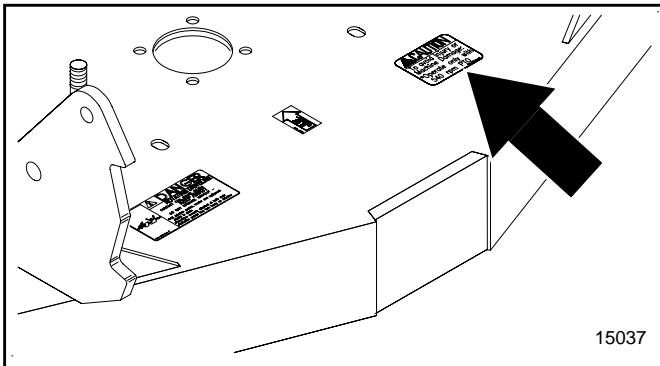
Your implement comes equipped with all safety labels in place. They were designed to help you safely operate your implement.

1. Read and follow label directions.
2. Keep all safety labels clean and legible.
3. Replace all damaged or missing labels.
4. Some new equipment installed during repair require safety labels to be affixed to the replaced component as specified by the manufacturer. When ordering new components make

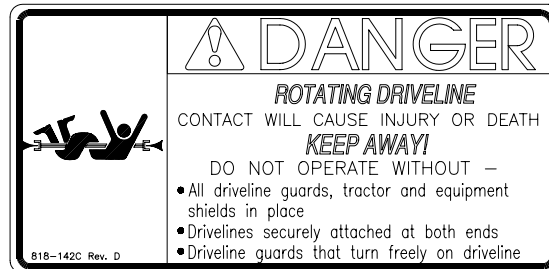
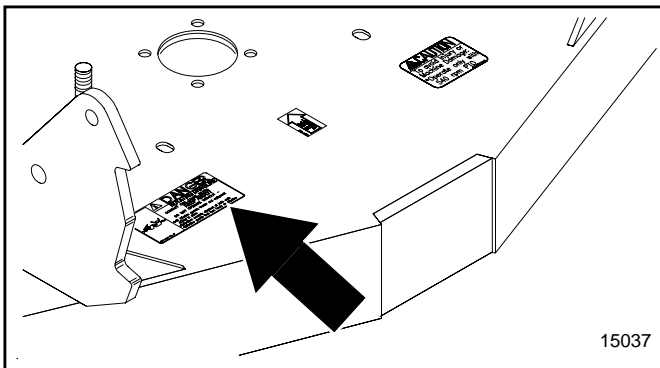
sure the correct safety labels are included in the request. To order new labels go to your Land Pride dealer.

5. Refer to this section for proper label placement. To install new labels:

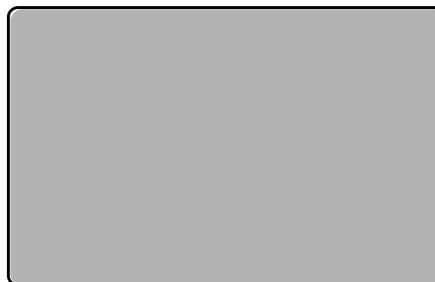
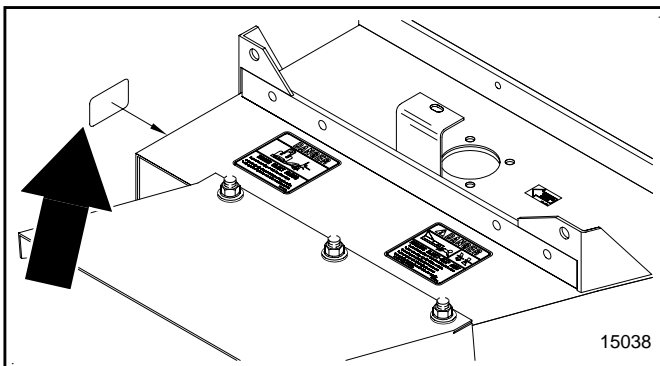
- a. Clean the area the label is to be placed.
- b. Peel backing from label. Press firmly on surface being careful not to cause air bubbles under label.



818-130C
Caution: 540 RPM

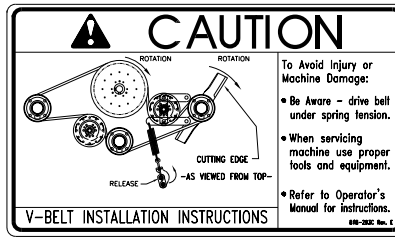
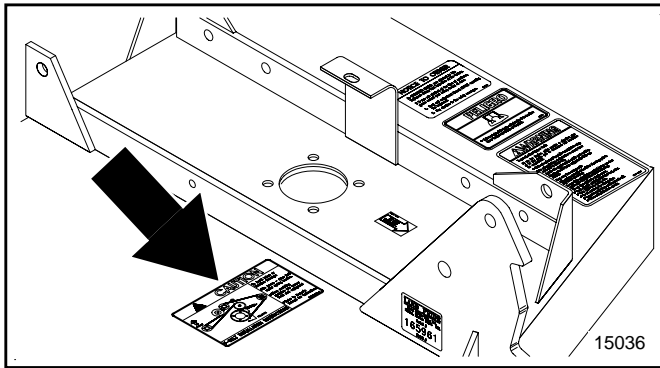


818-142C
Danger: PTO Driveline



818-230C
Red Reflector

Important Safety Information

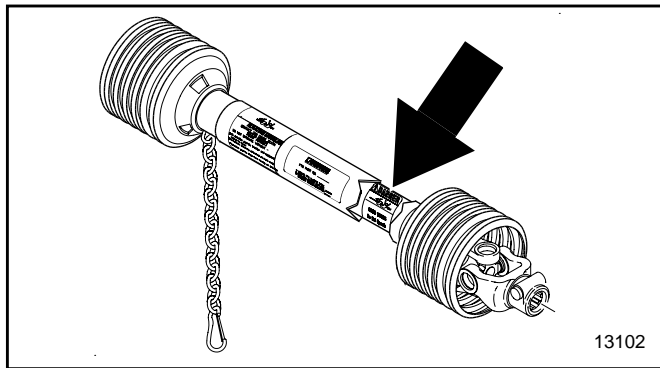


818-250C

Caution: V-Belt Installation (FD1560)

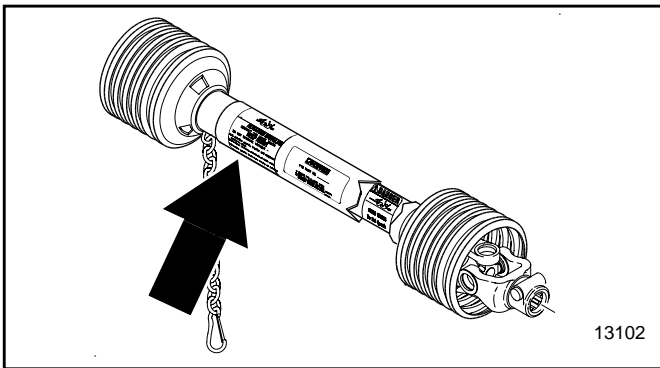
818-293C

Caution: V-Belt Installation (FD1548)



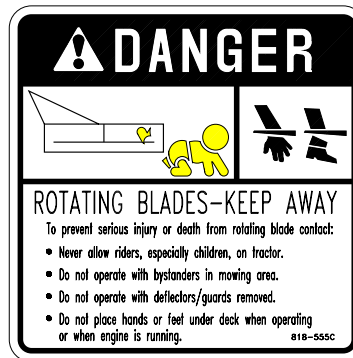
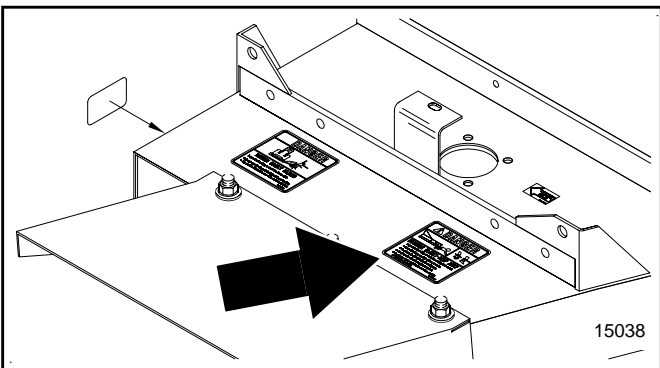
818-540C

Danger: Guard Missing



818-552C

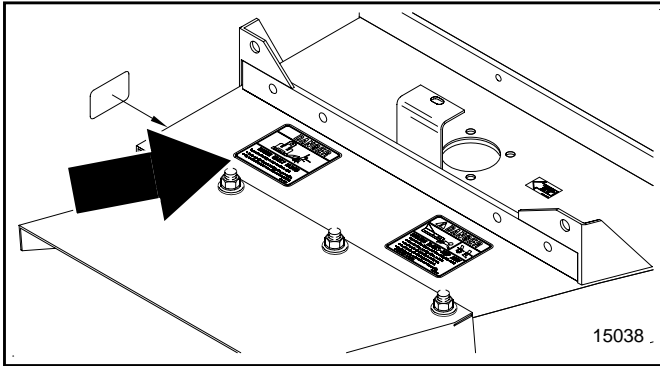
Danger: Rotating Driveline



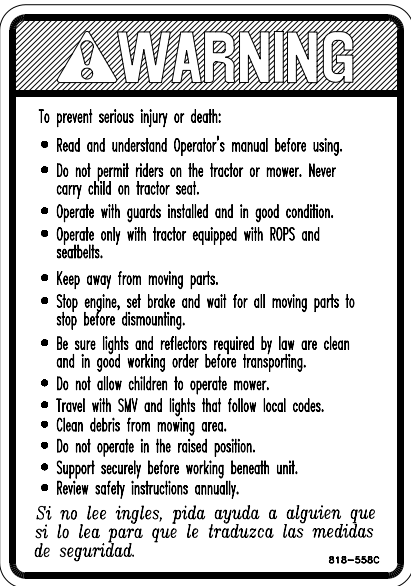
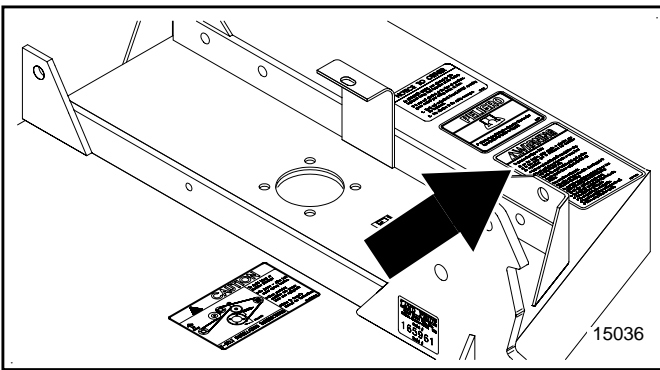
818-555C

Danger: Rotating Blades

Important Safety Information



818-556C
 Danger: Thrown Objects



818-558C
 Warning: General Safety

Introduction

Land Pride welcomes you to the growing family of new product owners.

This implement has been designed with care and built by skilled workers using quality materials. Proper assembly, maintenance, and safe operating practices will help you get years of satisfactory use from the machine.

The parts on your FD15 Grooming Mower have been specially designed and should only be replaced with genuine Land Pride parts. Therefore, should your Rotary Cutter require replacement parts go to your Land Pride Dealer.

Using This Manual

This Operator's Section is designed to help familiarize you with safety, assembly, operation, adjustments, troubleshooting, and maintenance. Read this manual and follow the recommendations to help ensure safe and efficient operation.

The warranty Registration card should be filled out by the dealer at the time of purchase.

To order a new Operator or Parts Manual contact your authorized dealer. You may obtain parts information from our website at www.landpride.com.

The information contained within this manual was current at the time of printing. Some parts may change slightly to assure you of the best performance.

Terminology:

"Right " or "Left" as used in this manual is determined by facing the direction the machine will travel while in use unless otherwise stated.

Definitions:

IMPORTANT: A special point of information related to its preceding topic. The author's intention is that this information should be read and noted before continuing.

NOTE: A special point of information that the author feels an operator must be aware of before continuing.

Owner Assistance

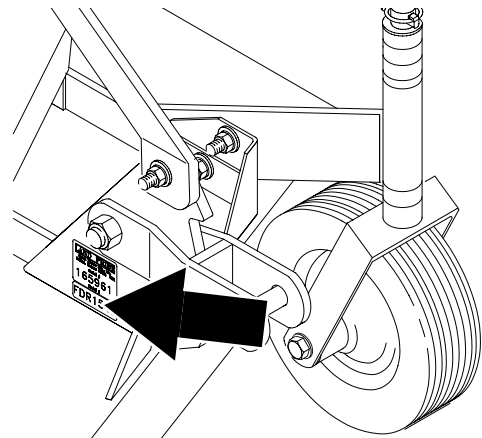
If customer service or repair parts are required contact an Land Pride dealer. A dealer has trained personnel, repair parts and equipment needed to service the implement.

These parts have been specially designed and should only be replaced with genuine Land Pride parts.

These parts have been specially designed and should only be replaced with genuine Land Pride parts.

Serial Number Plate

Refer to the Figure 1 for the location of your serial number plate.



Serial Number Plate Location
Figure 1

15031

For prompt service always use the serial number and model number when ordering parts from your Land Pride dealer. Be sure to include your serial and model numbers in correspondence also.

Your dealer wants you to be satisfied with your new machine. If for any reason you do not understand any part of this manual or are not satisfied with the service received, the following actions are suggested:

1. Discuss the matter with your dealership service manager make sure he is aware of any problems you may have and that he has had the opportunity to assist you.
2. If you are still not satisfied, seek out the owner or general manager of the dealership, explain the problem and request assistance.
3. For further assistance write to:

Product Support

Land Pride, Service Department
1525 East North Street
P.O. Box 5060
Salina, Ks. 67402-5060

Section 1 Assembly and Setup

Section 1 Assembly and Setup

Tractor Requirements

This mower is designed with a 3-Point category I hitch. Horse power rating of tractor should not exceed 26 PTO horse power.

**CAUTION**

Do not over speed PTO or machine damage may result.

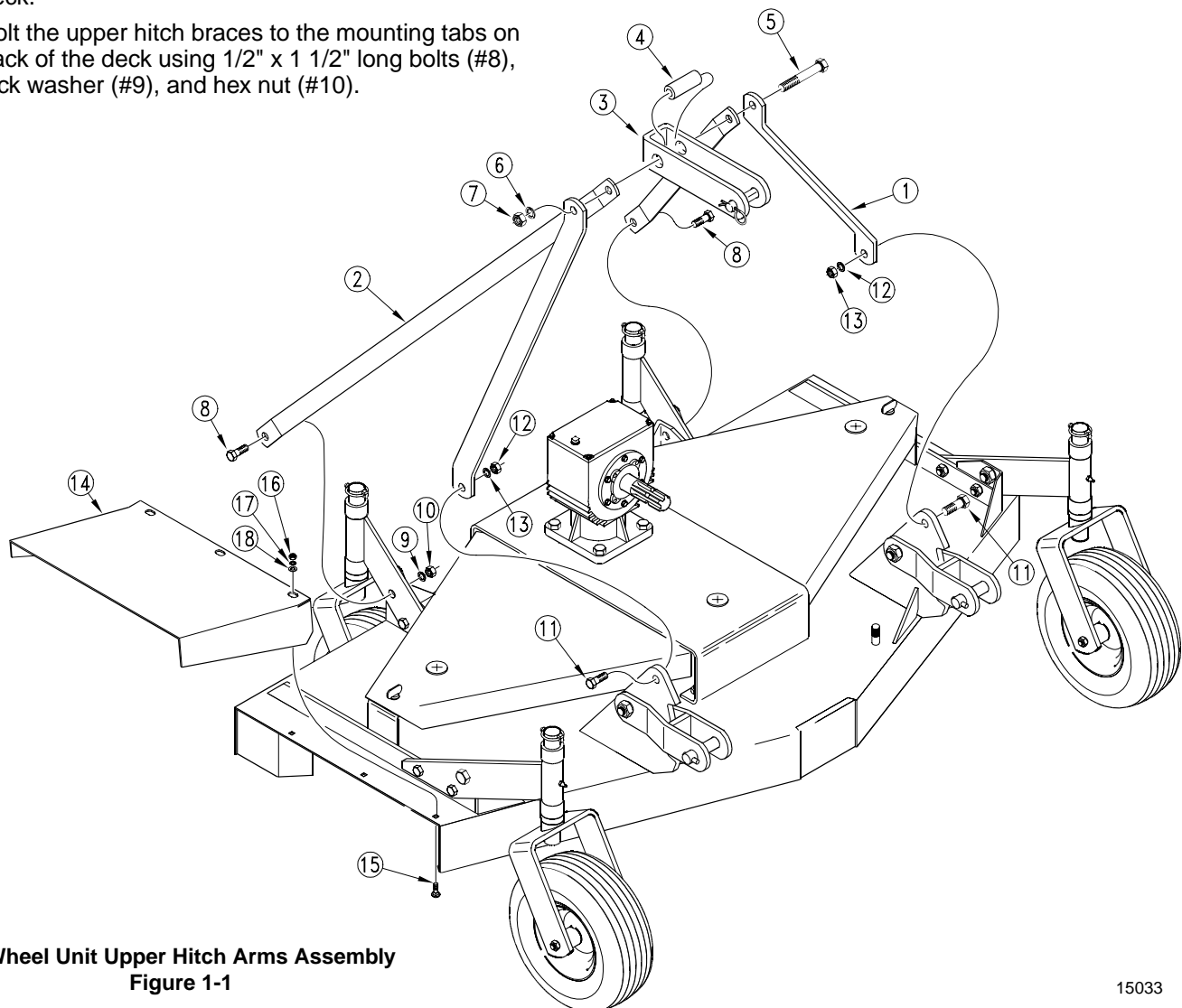
NOTE: In order to maintain steering control, ballast may have to be added to your tractor front end. To determine whether or not to add ballast, refer to your tractor operator's manual.

Upper Hitch Arms Assembly

Refer to Figure 1-1:

1. Remove the upper hitch bars (#1), upper hitch braces (#2), and upper pivoting hitch subassembly (#3) through (#7) from storage position on top of mower deck.
2. Bolt the upper hitch braces to the mounting tabs on back of the deck using 1/2" x 1 1/2" long bolts (#8), lock washer (#9), and hex nut (#10).

3. Mount the upper hitch bars (#1), to the front hitch plates on the mower frame using the 5/8" x 1 3/4" long bolts (#11), lock washers (#12) and hex nuts (#13).
4. Remove the 5/8" x 5" long bolt (#5), lock washer (#6), and hex nut (#7) from the upper pivoting hitch subassembly.
5. Swing the upper hitch bars (#1) up to a vertical position. Raise the upper hitch braces (#2) up inside the upper hitch bars as shown.
6. Assemble the upper pivoting hitch (#3), spacer top hitch (#4), 5/8" x 5" long bolt (#5), lock washer (#6), and hex nut (#7).
7. Place the chute (#14) over the square holes on the right hand side of the deck. Insert the 5/16" carriage bolts (#15) from the underneath side of the deck. Secure with the 5/16" nuts (#16) lock washers (#17) and flat washers (#18).



4-Wheel Unit Upper Hitch Arms Assembly
Figure 1-1

15033

Section 1 Assembly and Setup**Tractor Hookup**

1. Be certain that the tractor draw bar will not interfere. Move the draw bar ahead or remove if required. Draw bar should also be checked for clearance when the unit is being raised for the first time.
2. Align the lower link arms of the tractor to the hitch clevises on the mower. Insert the lower hitch pins into the lower ball swivels and attach the lynch pins.
3. Attach the tractor top link to the upper floating hitch on mower with the pin supplied. Secure with the lock pin.
4. Adjust the tractor top link in or out to place the upper hitch pin vertically above the lower hitch pins in to allow mower flotation.

Driveline Installation

1. Slide the driveline end with the extended safety cone over the splined shaft of the gearbox and secure with attaching device.
2. Slide the driveline over the tractor's splined PTO shaft and secure with locking device of driveline.
3. The driveline should now be moved back and forth to insure that it is secure on the PTO shaft of the tractor and mower gearbox.

4. Attach the chain from the PTO shield to one of the upper hitch braces to ensure that the shield does not rotate.
5. Should the driveline require shortening:
 - a. Hold the half-shafts next to each other in the shortest working position and mark them.
 - b. Shorten inner and outer guard tubes equally.
 - c. Shorten inner and outer sliding profiles by the same length as the guard tubes.
 - d. Proper overlap is a minimum of one-half the length of each tube, with both tubes being of equal length.
 - e. Round off all sharp edges and remove burrs. Grease sliding profiles.

**CAUTION**

Tractor PTO shield and all mower guards must be in place at all times during operation!

Section 2 Operating Instructions

Section 2 Operating Instructions

Before You Start

In addition to design and configuration of equipment, hazard control and accident prevention are dependent upon the awareness, concern, prudence and proper training involved in its operation, transport, maintenance and storage of equipment. Before beginning to operate your mower, the following inspection should be performed.

Prestart Checklist

- Read and follow the Safety Rules carefully, refer to “**Important Safety Information**” starting on page 1.
- Read all of the *Tractor Hook Up* in the “**Section 1 Assembly and Setup**” on page 8, and all preparation instructions.
- Read the “**Operating Instructions**” section starting on page 10.
- Refer to the “**Section 5 Maintenance and Lubrication**” starting on page 14 to lubricate the mower as required.
- Check the mower initially and periodically for loose bolts and pins, refer to the “Torque Values Chart for Common Bolt Sizes” in the “**Section 7 Appendix**” on page 19.
- Make sure all guards and shields are in place, refer to “**Important Safety Information**” starting on page 1.
- Gearbox Gear Lube, refer to the “**Section 5 Maintenance and Lubrication**” starting on page 14.
- Check “V” belt for wear and replace if needed with Land Pride part number 816-116C for FD1560 or 816-142C for FD1548.
- Check for grass clippings built up in “V” belt drive area.
- Check that all plugs in gearbox have been replaced and tightened properly.

**CAUTION**

For Safety reasons, each maintenance operation must be performed with the tractor’s PTO disengaged, the mower lowered completely, tractor engine shut off and ignition key removed.

Operating Instructions

1. Clear the area to be mowed of rocks, branches and other foreign objects.
2. Lower mower to ground. Set tractor throttle at approximately 1/4 open. Engage PTO to start blades rotating.
3. Operate with 540 rpm PTO tractor.
4. At first begin mowing at a slow forward speed and shift up until the desired speed is achieved - maintaining 540 PTO rpm.

5. Mower blades will cut better at a faster blade speed than at reduced throttle.
6. Mowing should not be done in wet conditions as grass will stick to blades and the under side of mower deck.
7. After mowing the first 50 feet, stop and check to see that the mower is adjusted properly.
8. **DO NOT** make sharp turns or attempt to back up while mower is on the ground.
9. **DO NOT** engage PTO with mower in the fully raised position. **DO NOT** engage PTO at full throttle.
10. Grass is best cut when it is dry. Mowing wet grass can cause plugging resulting in grass clumps behind the mower.
11. Grass should be mowed frequently as shorter clippings deteriorate faster.
12. If mowing extremely tall grass, it is best to raise cutting height and mow the area, then lower cutting height and mow a second time at the desired height.

Transporting

IMPORTANT: Always disengage PTO before raising the mower to transport position. When raising the mower to the transport position, be sure that powershaft does not contact tractor or mower. Adjust the tractor’s 3-point hitch lift height so that the PTO shaft does not contact mower deck.

Be sure to reduce tractor ground speed when turning; and, leave enough clearance so the mower does not contact obstacles such as buildings, trees or fences.

Select a safe ground travel speed when transporting from one area to another. When traveling on roadways, transport in such a way that faster moving vehicles may pass you safely.

When traveling over rough or hilly terrain, shift tractor to a lower gear.

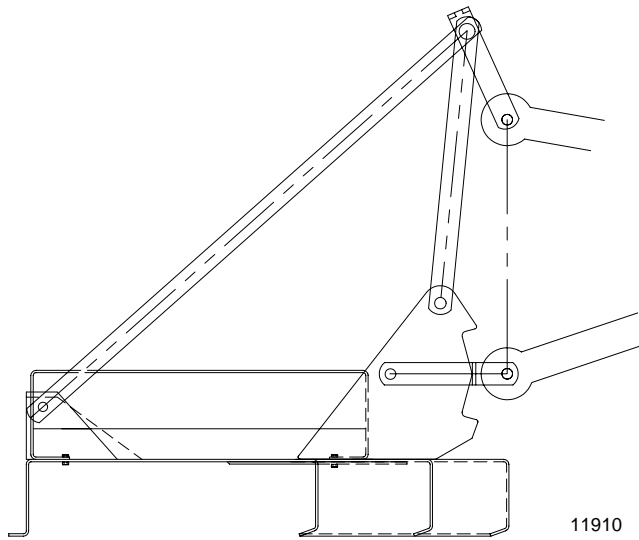
Section 3 Adjustments

Section 3 Adjustments

3-Point Hitch Adjustments

Refer to Figure 3-1:

The 3-point hitch system on this mower has been designed for front to back flotation when mowing on uneven terrain. On the two wheel mower with fixed lower hitch pins and the four wheel mower with floating lower hitches in a mid position, adjust the tractor's top link to place the upper hitch pin vertically above the lower hitch pins as shown below.



3-Point Assembly
Figure 3-1

11910

6. Rotate blades parallel to direction of travel.
7. Measure the clearance from the cutting edge to the ground at front and rear of the blade. This measurement should be equal or have the blade at the front of the mower not more than 1/2" lower than the blade at the rear of the mower.

Cutting Height Adjustment

! CAUTION

Engage parking brake, shut off tractor, remove key and disengage PTO before making any height adjustment!

Using the tractor, raise the mower off the ground and support under it with secure blocking so not to let the mower drift down during maintenance.

Holding wheel and yoke assembly up, remove quick-lock pin from top of gauge wheel spindle. Position full length spacers and half spacer as required. All spacers on top of spindle tube allows for approximately 1" cutting height. Adjustments range from 1" to a maximum of 4" in 1/2" increments. Refer to "Leveling the Mower" beginning on this page.

NOTE: If equipped with only rear gauge wheels, the mower must be leveled front to rear each time this adjustment is made.

Leveling the Mower

NOTE: Tractor and mower should be on level ground.

1. Set the lower hitches and upper floating hitch as shown in Figure 3-1.
2. Start tractor and raise mower, watching that tractor draw bar (if not removed) does not interfere with mower.
3. Slowly lower the mower until gauge wheels touch the ground and the lower mower 3-point hitch bars are parallel to the ground in floating position. Set tractor 3-point stop.
4. Set park brake and turn off tractor. Remove key from ignition.
5. Adjust the tractor top link in or out to place the upper hitch pin vertically above the lower hitch pin as to allow mower flotation.

Section 3 Adjustments

Transporting

IMPORTANT: Always disengage PTO before raising the mower to transport position.

When raising the mower to the transport position, be sure that powershaft does not contact tractor or mower. Adjust the tractor's 3-point hitch lift height so that the PTO shaft does not contact mower deck.

Be sure to reduce tractor ground speed when turning; and, leave enough clearance so the mower does not contact obstacles such as buildings, trees or fences.

Select a safe ground travel speed when transporting from one area to another. When traveling on roadways, transport in such a way that faster moving vehicles may pass you safely.

When traveling over rough or hilly terrain, shift tractor to a lower gear.

CAUTION

WHEN TRAVELING ON PUBLIC ROADS, WHETHER AT NIGHT OR DURING THE DAY, USE ACCESSORY LIGHTS AND DEVICES FOR ADEQUATE WARNING TO OPERATORS OF OTHER VEHICLES. COMPLY WITH ALL FEDERAL, STATE, AND LOCAL LAWS.

Belt Tension

Refer to Figure 3-2:

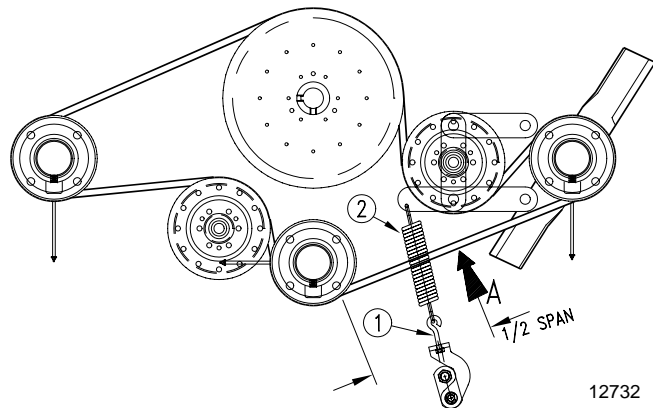
CAUTION

Belt drive system under spring tension; use care to avoid bodily harm!

1. To check tension apply force at arrow A. With a tension tester and deflect the belt 1/4". The force required to get this deflection should range from 7 to 10 lbs.
2. To adjust belt tension, adjust eyebolt (#1), as necessary. This adjustment will increase or decrease the tension on spring (#2).
3. Excessive tension on the belt may lead to premature failure of belt and drive components. Excessive tension on the belt may also lead to a safety hazard to the operator or bystanders. Not enough tension on the belt may lead to premature failure of the belt due to excessive slipping.

WARNING


Excessive tension on the belt may lead to premature failure of belt and drive components. Excessive tension on the belt may also lead to a safety hazard to the operator or bystanders.



Belt Tension
Figure 3-2

Section 4 Troubleshooting

Section 4 Troubleshooting

Problem	Cause	Solution	
 CAUTION Do not try to clean discharge opening when mower is running. Bodily harm may occur.	Discharge chute plugged	Belt not installed correctly	Check installation of belt
		Grass too wet	Wait until grass dries
		Grass too tall	Raise cutting height of mower and cut grass twice
		RPM of tractor too low	Mow at full throttle (540 PTO rpm) Check PTO speed & tractor engine
		Ground speed too fast	Shift transmission to a lower gear
Belt slipping	Plugged grooming mower	Unplug and clean mower deck	
	Debris in sheaves	Remove belt guard shields and clean sheaves	
	Worn belt	Replace belt	
Patches of uncut grass	RPM of tractor too low	Mow at full throttle (540 PTO rpm). Check PTO speed & tractor engine	
	Ground speed too fast	Shift transmission to a lower gear	
	Blade damaged or dull	Sharpen & balance or replace blade	
Excessive vibration	Power Take Off shaft or distribution shafts bend	Replace Power Take Off or distribution shafts	
	Blade broken or bent	Replace blade	
	Sheaves damaged or out of alignment	Replace sheaves or align	
	Drive belt damaged	Replace drive belt	
	Inadequate clearance between belt guard shields & belt	Remove belt guard shields & clean debris from belt area & sheaves	
	Mower in raised position & mower running	Readjust 3-point hitch to raise mower to maximum of 14 inches	
Gearbox noisy	Low lubricant level	Check lubricant level	
Blades scalping grass	Cutting too low	Raise cutting height by adjusting wheels	
	Ridges in terrain	Change mowing pattern	
	Fast turning speed	Reduce speed on turns	
Uneven cut	Ground speed too fast	Shift to a lower gear	
	Mower not level	Level mower	
	Dull blades	Sharpen blades & balance or replace	
Tractor loaded down by mower	RPM of engine too low	Mow at full throttle (540 PTO rpm)	
	Ground speed too fast	Shift to a lower gear	
	Debris wrapped around mower spindles or blades	Clean mower	

Section 5 Maintenance and Lubrication

Section 5 Maintenance and Lubrication

Maintenance

**CAUTION**

For Safety reasons, each maintenance operation must be performed with the tractor's PTO disengaged, the mower lowered completely, tractor engine shut off and ignition key removed.

General Description

Proper servicing and adjustment is the key to the long life of any farm implement. With careful and systematic inspection, you can avoid costly maintenance, time and repair.

General Maintenance**Blade Sharpening**

1. Blades should be sharpened at each end to the same angle as the original cutting edge.

NOTE: Care should be taken in order not to remove any more material than necessary to sharpen blade.

2. Balance each blade after sharpening.

Blade Replacement

IMPORTANT: Always install blade with cutting edge facing direction of blade spindle rotation.

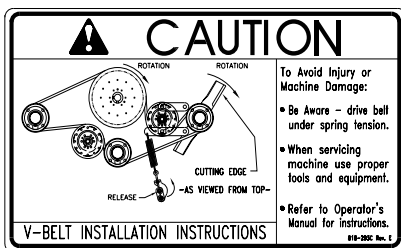
1. Remove cap screw and blade washer from blade to be replaced. Remove blade.
2. Install blade washer into center hole on blade.
3. Replace cap screw. Tighten bolts to proper torque, see the "Torque Values Chart for Common Bolt Sizes" section on page 19.

IMPORTANT: Replace blades with Land Pride blades only.

FD1548 V-BELT INSTALLATION

Refer to Figure 5-1:

1. Remove right hand, left hand and center belt covers.
2. Using 3/4" socket wrench, pivot over-center latch. Rotate idler pulley toward rear of mower.
3. With tension relieved from belt remove old belt from pulleys.
4. Install new belt referring to the figure below (or refer to the decal on top of mower deck). Be sure belt is positioned in all the pulley grooves. Reinstall over-center latch using socket wrench. Recheck spring tension.
5. Reinstall all belt covers and secure in place with hardware.

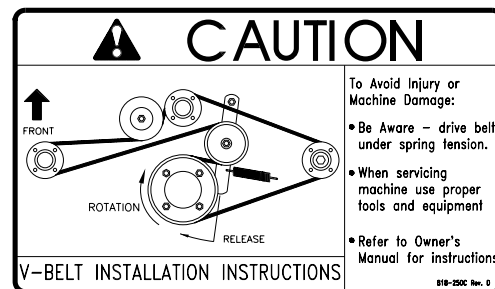


FD1548 V-Belt Installation
Figure 5-1

FD1560 V-BELT INSTALLATION

Refer to Figure 5-2:

1. Remove belt covers. Loosen spring take-up eyebolt to remove belt tension.
2. Move belt take-up handle in a clockwise direction to relieve tension on belt.
3. With tension relieved from belt remove old belt from pulleys.
4. Install new belt referring to the figure below (or refer to the decal on top of mower deck). Be sure belt is positioned in all the pulley grooves. Tighten belt take-up handle spring eyebolt to apply tension to new belt.
5. Reinstall all belt covers and secure in place with hardware.



FD1560 V-Belt Installation
Figure 5-2

Belt Tension**CAUTION**

Belt drive system under spring tension; use care to avoid bodily harm!

1. Belt tension should be checked after approximately 20 hours of operation on a new belt.
2. Not enough tension on the belt may lead to premature failure of the belt due to excessive slipping of the belt.

Refer to "Belt Tension" page 12 for proper adjustment of belt tension.

**WARNING**

Excessive tension on the belt may lead to premature failure of belt and drive components. Excessive tension on the belt may also lead to a safety hazard to the operator or bystanders.

AIR TIRES (AIR PRESSURE):

Tire Sealant: Heavy Duty tire sealant has been added in Air tires to help reduce air loss from punctures due to nails/thorns etc.

NOTE: Under inflated tires can roll off of rim. Maintaining air pressure within 5 PSI of maximum tire pressure reduces the risk of tires rolling off of rim.

Section 5 Maintenance and Lubrication

Service Mowing Blades

- Both blades should be sharpened at the same angle as the original cutting edge and must be replaced or reground at the same time to maintain proper balance in the mowing unit.

NOTE: Care should be taken in order not to remove any more material than necessary when sharpening blades.

- Both blades should weigh the same after sharpening.
- When replacing or sharpening the mower blades, examine bolts for excessive wear and replace if necessary.

Blade Replacement

IMPORTANT: ALWAYS install blade with cutting edge facing direction of rotor shaft rotation.

- Remove the cap screw and the blade washer from the blade to be replaced. Remove the blade.
- Install the blade washer into the center hole on the blade.
- Replace cap screw and lock washer and tighten bolts to proper torque. See "Torque Values Chart for Common Bolt Sizes" on page 19.

IMPORTANT: Replace blades with genuine Land Pride blades only.





Storage

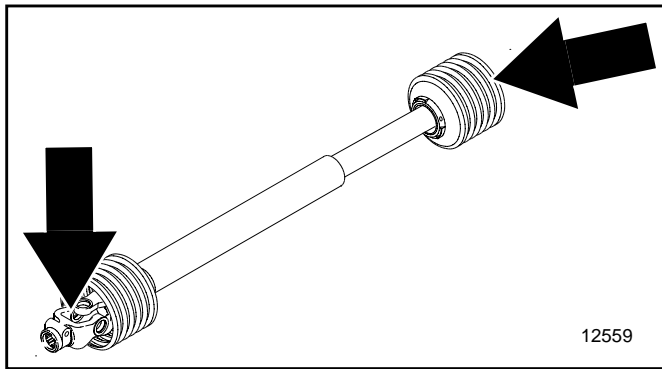
At the end of the working season or when the mower will not be used for a long period, it is good practice to clean off any dirt or grease that may have accumulated on the mower and any of the moving parts.



- Clean as necessary.
- Check the blades for wear and replace if necessary, see *Service Mowing Blades*, this section on page 15.
- Inspect the mower for loose, damaged or worn parts and adjust or replace as needed.
- Lubricate as noted in the *Lubrication* portion of this section starting on page 15.
- Store unit inside if possible for longer life.

Repaint parts where paint is worn or scratched to prevent rust. Ask your dealer for Aerosol Land Pride Beige touch-up paint #821-011C.

Lubrication Legend

 Multipurpose spray lube	 Multipurpose grease lube	 Multipurpose oil lube	 Intervals at which lubrication is required
---	--	--	--



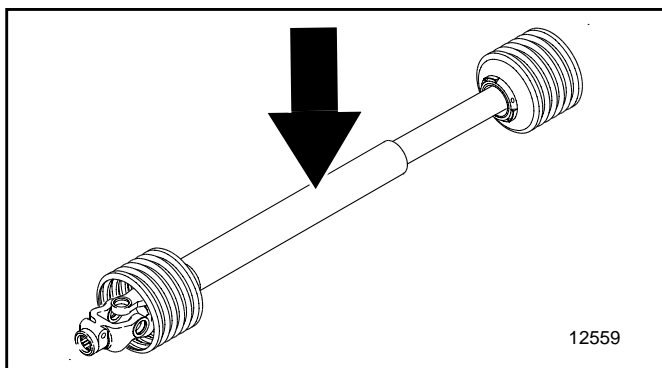
	
---	---



PTO U-Joint

Coat PTO u-joint with grease every 8 hours of operation

Type of Lubrication: Multipurpose

Quantity = Coat Generously



	
---	---

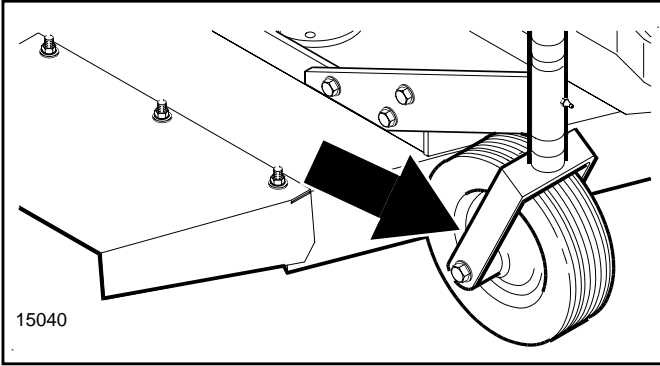
PTO Shaft

Disconnect PTO shaft from the tractor and slide apart. Clean and coat the inner tube of the PTO shaft with a light film of grease and then reassemble.

Type of Lubrication: Multipurpose

Quantity = Light Film

Section 5 Maintenance and Lubrication



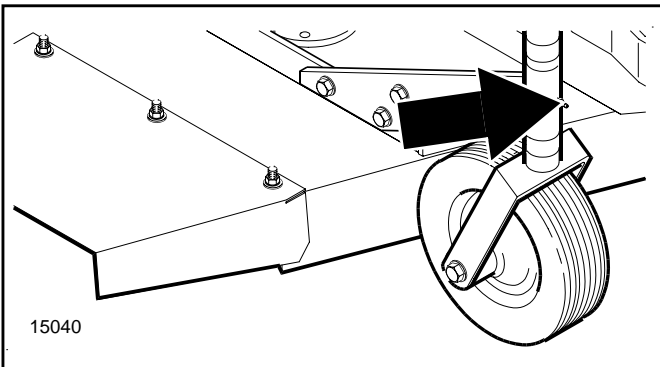
		8
--	--	----------

Wheel Bushing

Until grease starts to purge.

Type of Lubrication: Multipurpose grease

Quantity = Until grease starts to purge

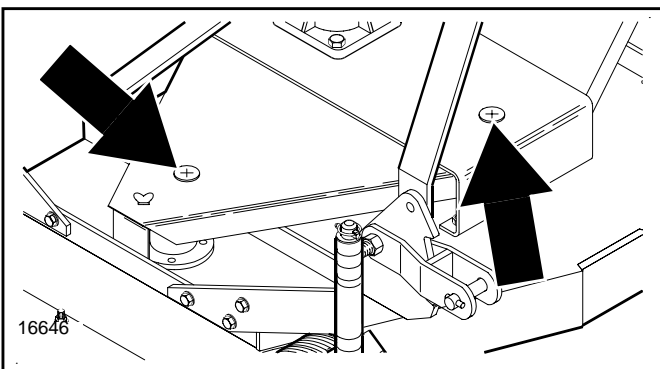


	Seasonally	
--	------------	--

Wheel Support Bushings

Type of Lubrication: Multipurpose Grease

Quantity = Until grease starts to purge.



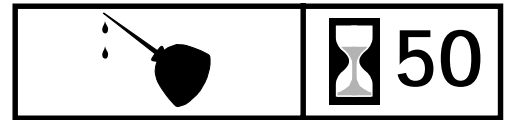
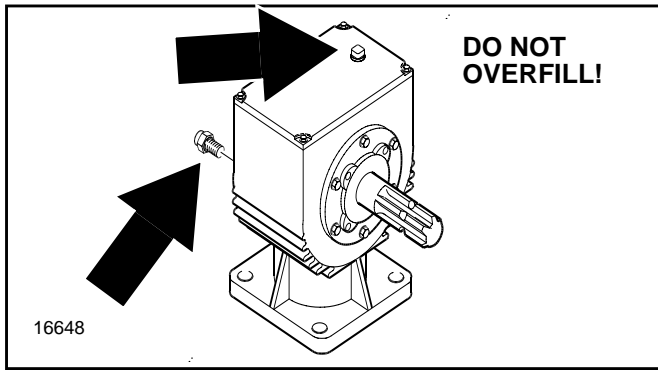
		25
--	--	-----------

Bearing in Blade Spindle Hubs

Type of Lubrication: Multipurpose Grease

Quantity = Until grease starts to purge from the top bearing. Top bearing has a purge gap which allows grease to purge from it.

Section 5 Maintenance and Lubrication

**Gearbox**

Check the oil level in the gearbox by removing the plug in the top of the box. Add oil if necessary into the biggest plug at the back of the box. Retighten both plugs.

Type of Lubrication: SAE 90 Oil

Quantity = Until oil reaches outside plug hole

IMPORTANT: Should your gearbox require repair, take it to your Land Pride Dealer! Check oil level in gearbox every 50 hours of operation.

Section 6 Specifications & Capacities

Section 6 Specifications & Capacities

FD1548 & FD1560 3-Spindle Grooming Mower		
	FD1548	FD1560
Cutting Width	48"	60"
Overall Width	59"	71"
Height	36"	36"
Length	44"	56"
Weight	400#	440#
Blades - 3	1/4" x 2 1/2" x 16 3/4" Heat Treated Alloy Steel	1/4" x 2 1/2" x 20 3/4" Heat Treated Alloy Steel
Blade Tip Speed	15,000 FPM	15,000 FPM
Cutting Height	1 1/2" - 4 1/2" {1/2" Increments}	
Deck Material Thickness	10 Gauge	
Blade Overlap	1 1/4"	1 1/2"
Blade Spindles	Greasable	
Hitch	Cat. 1 Floating Clevis	Cat. 1 Floating Clevis
Gauge Wheels	Castered 2 3/4" x 8 1/4" Solid Tire	
Caster Wheel Spindle	1" Diameter With Greasable Bushing	
Drive Train	540 RPM PTO Gearbox 1:2.83 Ratio Beveled Gears Cast Iron Housing Spring loaded Single V-Belt	

Section 7 Appendix

Section 7 Appendix

Torque Values Chart for Common Bolt Sizes

Bolt Size (Inches) in-tpi ¹	Bolt Head Identification						Bolt Size (Metric) mm x pitch ⁴	Bolt Head Identification					
	Grade 2		Grade 5		Grade 8			Class 5.8		Class 8.8		Class 10.9	
	N · m ²	ft-lb ³	N · m	ft-lb	N · m	ft-lb		N · m	ft-lb	N · m	ft-lb	N · m	ft-lb
1/4" - 20	7.4	5.6	11	8	16	12	M 5 X 0.8	4	3	6	5	9	7
1/4" - 28	8.5	6	13	10	18	14	M 6 X 1	7	5	11	8	15	11
5/16 - 18	15	11	24	17	33	25	M 8 X 1.25	17	12	26	19	36	27
5/16" - 24	17	13	26	19	37	27	M 8 X 1	18	13	28	21	39	29
3/8" - 16	27	20	42	31	59	44	M10 X 1.5	33	24	52	39	72	53
3/8" - 24	31	22	47	35	67	49	M10 X 0.75	39	29	61	45	85	62
7/16" - 14	43	32	67	49	95	70	M12 X 1.75	58	42	91	67	125	93
7/16" - 20	49	36	75	55	105	78	M12 X 1.5	60	44	95	70	130	97
1/2" - 13	66	49	105	76	145	105	M12 X 1	90	66	105	77	145	105
1/2" - 20	75	55	115	85	165	120	M14 X 2	92	68	145	105	200	150
9/16" - 12	95	70	150	110	210	155	M14 X 1.5	99	73	155	115	215	160
9/16" - 18	105	79	165	120	235	170	M16 X 2	145	105	225	165	315	230
5/8" - 11	130	97	205	150	285	210	M16 X 1.5	155	115	240	180	335	245
5/8" - 18	150	110	230	170	325	240	M18 X 2.5	195	145	310	230	405	300
3/4" - 10	235	170	360	265	510	375	M18 X 1.5	220	165	350	260	485	355
3/4" - 16	260	190	405	295	570	420	M20 X 2.5	280	205	440	325	610	450
7/8" - 9	225	165	585	430	820	605	M20 X 1.5	310	230	650	480	900	665
7/8" - 14	250	185	640	475	905	670	M24 X 3	480	355	760	560	1050	780
1" - 8	340	250	875	645	1230	910	M24 X 2	525	390	830	610	1150	845
1" - 12	370	275	955	705	1350	995	M30 X 3.5	960	705	1510	1120	2100	1550
1-1/8" - 7	480	355	1080	795	1750	1290	M30 X 2	1060	785	1680	1240	2320	1710
1 1/8" - 12	540	395	1210	890	1960	1440	M36 X 3.5	1730	1270	2650	1950	3660	2700
1 1/4" - 7	680	500	1520	1120	2460	1820	M36 X 2	1880	1380	2960	2190	4100	3220
1 1/4" - 12	750	555	1680	1240	2730	2010							
1 3/8" - 6	890	655	1990	1470	3230	2380							
1 3/8" - 12	1010	745	2270	1670	3680	2710							
1 1/2" - 6	1180	870	2640	1950	4290	3160							
1 1/2" - 12	1330	980	2970	2190	4820	3560							

¹ in-tpi = nominal thread dia .in inches-threads per inch

² N · m = newton-meters

³ ft-lb= foot pounds

⁴ mm x pitch = nominal thread dia. in millimeters x thread pitch

Torque tolerance + 0%, -15% of torquing values. Unless otherwise specified use torque values listed above.

Tire Inflation Chart	
Tire Size	Inflation PSI
8" x 3" Air Tire	30



Warranty

Land Pride warrants to the original purchaser that this Land Pride product will be free from defects in material and workmanship for a period of one year, from the date of delivery to the end user, when used as intended and under normal service and conditions for personal use; and 6 months for municipalities, golf courses, sod farms and rental purposes. This Warranty is limited to the replacement of any defective part by Land Pride and the installation by the dealer of any such replacement part, and does not cover common wear items such as blades, belts, tines, etc. Land Pride reserves the right to inspect any equipment or parts which are claimed to have been defective in material or workmanship.

This Warranty does not apply to any part or product which in Land Pride's judgment shall have been misused or damaged by accident or lack of normal maintenance or care, or which has been repaired or altered in a way which adversely affects its performance or reliability, or which has been used for a purpose for which the product is not designed. Misuse also specifically includes failure to properly maintain oil levels, grease points, and driveline shafts.

Claims under this Warranty must be made to the dealer which originally sold the product and all warranty adjustments must be made through such dealer. Land Pride reserves the right to make changes in materials or design of the product at any time without notice.

This Warranty shall not be interpreted to render Land Pride liable for damages of any kind, direct, consequential, or contingent to property. Furthermore, Land Pride shall not be liable for damages resulting from any cause beyond its reasonable control. This Warranty does not extend to loss of crops, any expense or loss for labor, supplies, rental machinery or for any other reason.

No other warranty of any kind whatsoever, express or implied, is made with respect to this sale; and all implied warranties of merchantability and fitness for a particular purpose which exceed the obligations set forth in this written warranty are hereby disclaimed and excluded from this sale.

This Warranty is not valid unless registered with Land Pride within 30 days from the date of delivery to the end user.

In addition to the Standard Limited Warranty Land Pride also provides:

A Five - Year Limited Warranty on Gearbox Components, on RC6015, RCM6015, RC5015, RCM5015, RC5010, RCM5010, PD15, PD25, and PD35. A Three - Year Limited Warranty on Gearbox Components on RCR3596, RCR3510, and RCRM3510, provided they have been properly maintained, and not subjected to misuse or abuse. Misuse specifically includes, but is not limited to, maintaining proper oil levels of the correct lubricant, and adjusting slip-clutches to provide proper protection to Gearbox Components. Warranty is One Year for seals. Seals are viewed as normal wear items and replacement will be the customer's responsibility. Gearboxes will either be replaced or rebuilt at Land Pride's discretion.



Corporate Office: P.O. Box 5060
Salina, Kansas 67402-5060 USA

Free Manuals Download Website

<http://myh66.com>

<http://usermanuals.us>

<http://www.somanuals.com>

<http://www.4manuals.cc>

<http://www.manual-lib.com>

<http://www.404manual.com>

<http://www.luxmanual.com>

<http://aubethermostatmanual.com>

Golf course search by state

<http://golfingnear.com>

Email search by domain

<http://emailbydomain.com>

Auto manuals search

<http://auto.somanuals.com>

TV manuals search

<http://tv.somanuals.com>