

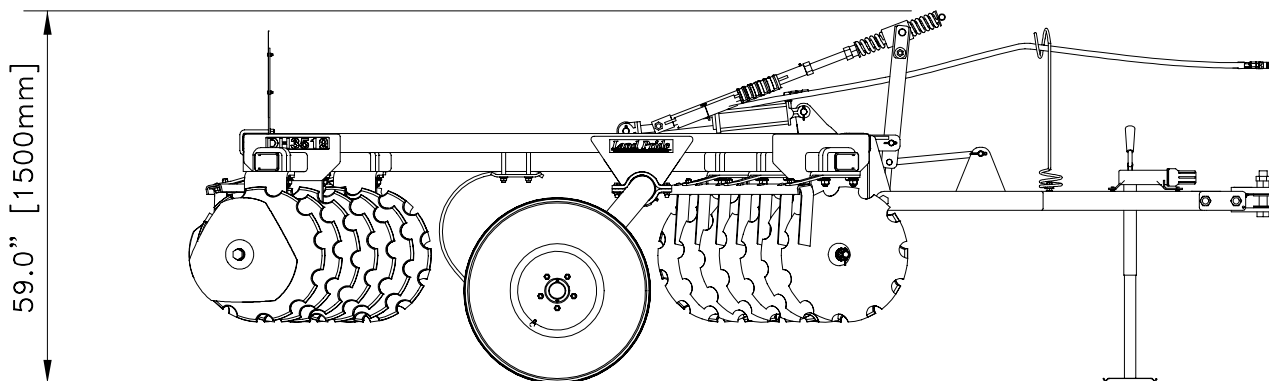
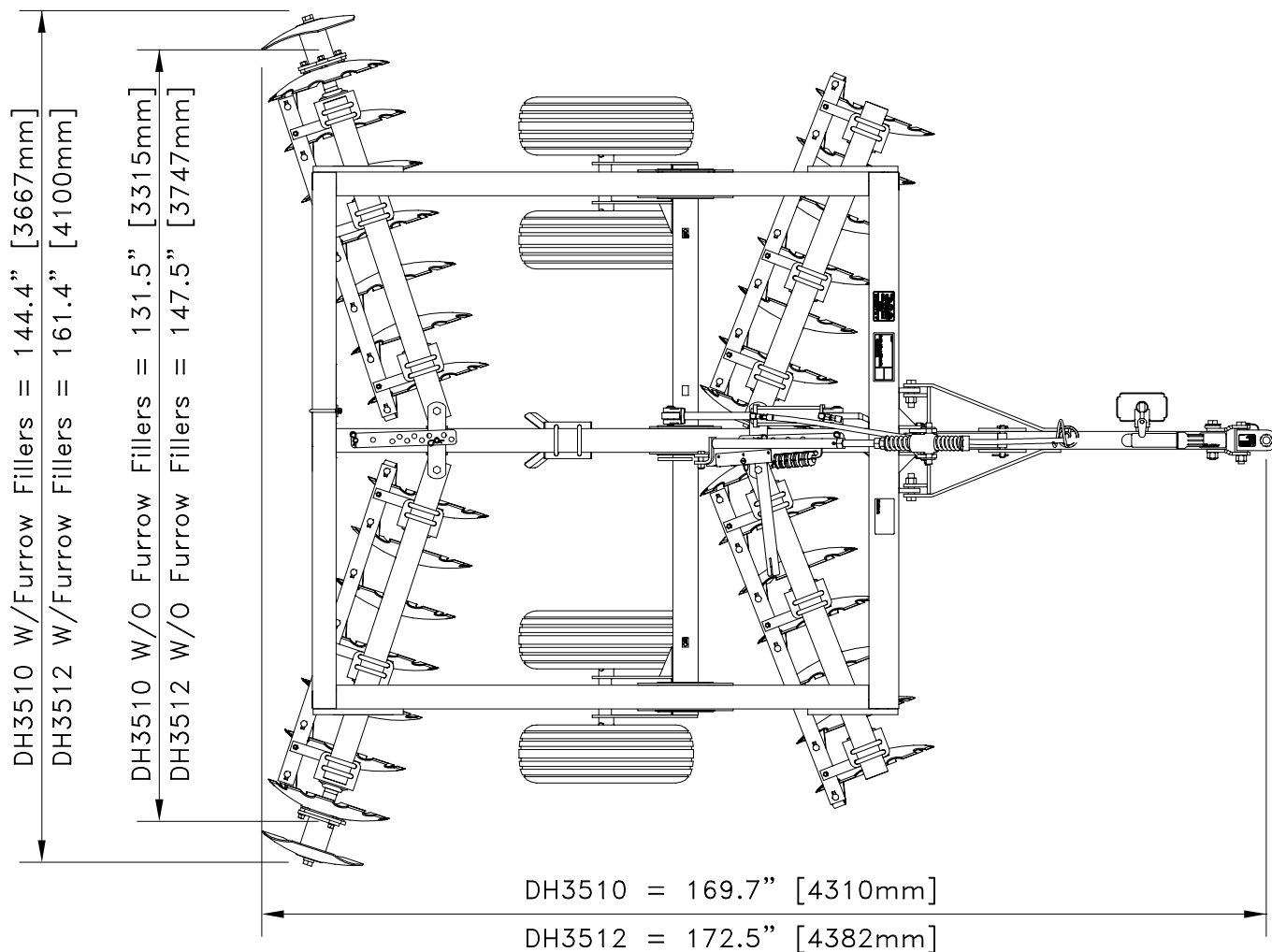
**Disc Harrows**

**DH35 Series**

<b>Description</b>	<b>DH3510</b>	<b>DH3512</b>
<b>Drawbar Horsepower Requirement</b>	45-75 hp	55-80 hp
<b>Side Mainframe Construction</b>	3" x 4" x 3/16" Wall tubing w/gusset reinforcements	3" x 4" x 3/16" Wall tubing w/gusset reinforcements
<b>Max. Cultivation Width</b>	10'- 6" Approx.	12'-0" Approx.
<b>Transport Width</b>	10' -10" Base Unit	12'-4" Base Unit
<b>Number of Bearings</b>	12 for all Ten Foot Disc Configurations	12 for 9" Disc Spacing 16 for 7.5" Disc Spacing
<b>Approx Weight Per Blade with 7.5" Spacing</b>	79 to 84 lbs	76 to 82 lbs
<b>Approx Weight Per Blade with 9" Spacing</b>	87 to 93 lbs	81 to 86 lbs
<b>Hitch Type</b>	Pull-type w/clevis & hole for 1 1/4" pin	
<b>Hitch Frame Construction</b>	3"x 3" x 1/4" Wall tubing w/hose carrier and jack mount	
<b>Center Gang Beam Construction</b>	4"x 3" x 1/4" Wall tubing	
<b>Gang Swing Arm</b>	4"x 3" x 1/4" Wall tubing	
<b>Main Frame Front Tube</b>	5"x 3" x 1/4" Wall tubing	
<b>Mainframe Width</b>	93"	
<b>Disc Size Selections</b>	20" or 22" Notched or Smooth	
<b>Gang Axle Construction</b>	1 1/8" Square Hi-strength Steel	
<b>Disc Bearings</b>	Greaseable & Triple Sealed Ball Bearings	
<b>Disc Spacing Choices</b>	7.5" or 9"	
<b>Forward Gang Angle Adjustment</b>	Single Pin Adjustment to 15, 16 1/2, 18, 19 1/2 or 21 degrees	
<b>Rear Gang Angle Adjustment</b>	Single Pin Adjustment to 12, 13 1/2, 15, 16 1/2 or 18 degrees	
<b>Front to Rear Leveling System</b>	Manual crank adjustment	
<b>Depth Control</b>	Cylinder stroke control spacers	
<b>Hydraulic Cylinder for Depth/Lift Control</b>	3"x 8" Cylinder with hoses and fittings	
<b>Transport Tires &amp; Rims</b>	Two 9.5L x 15 Tires Mounted on 15" x 6"	5-bolt Rims
<b>20" Rear Furrow Filler Pair</b>	Optional	
<b>18" Rear Furrow Filler Pair</b>	Optional	
<b>Disc Scrapers</b>	Optional	
<b>Center Sweep Kit</b>	Optional	
<b>Tongue Jack</b>	Optional	
<b>Dual Wheel Transport Kit</b>	Optional	

*Designs, specifications, features and information are subject to change without notice.*

## Disc Harrows



26581

### Overall Dimensions

*Designs, specifications, features and information are subject to change without notice.*

## Free Manuals Download Website

<http://myh66.com>

<http://usermanuals.us>

<http://www.somanuals.com>

<http://www.4manuals.cc>

<http://www.manual-lib.com>

<http://www.404manual.com>

<http://www.luxmanual.com>

<http://aubethermostatmanual.com>

Golf course search by state

<http://golfingnear.com>

Email search by domain

<http://emailbydomain.com>

Auto manuals search

<http://auto.somanuals.com>

TV manuals search

<http://tv.somanuals.com>