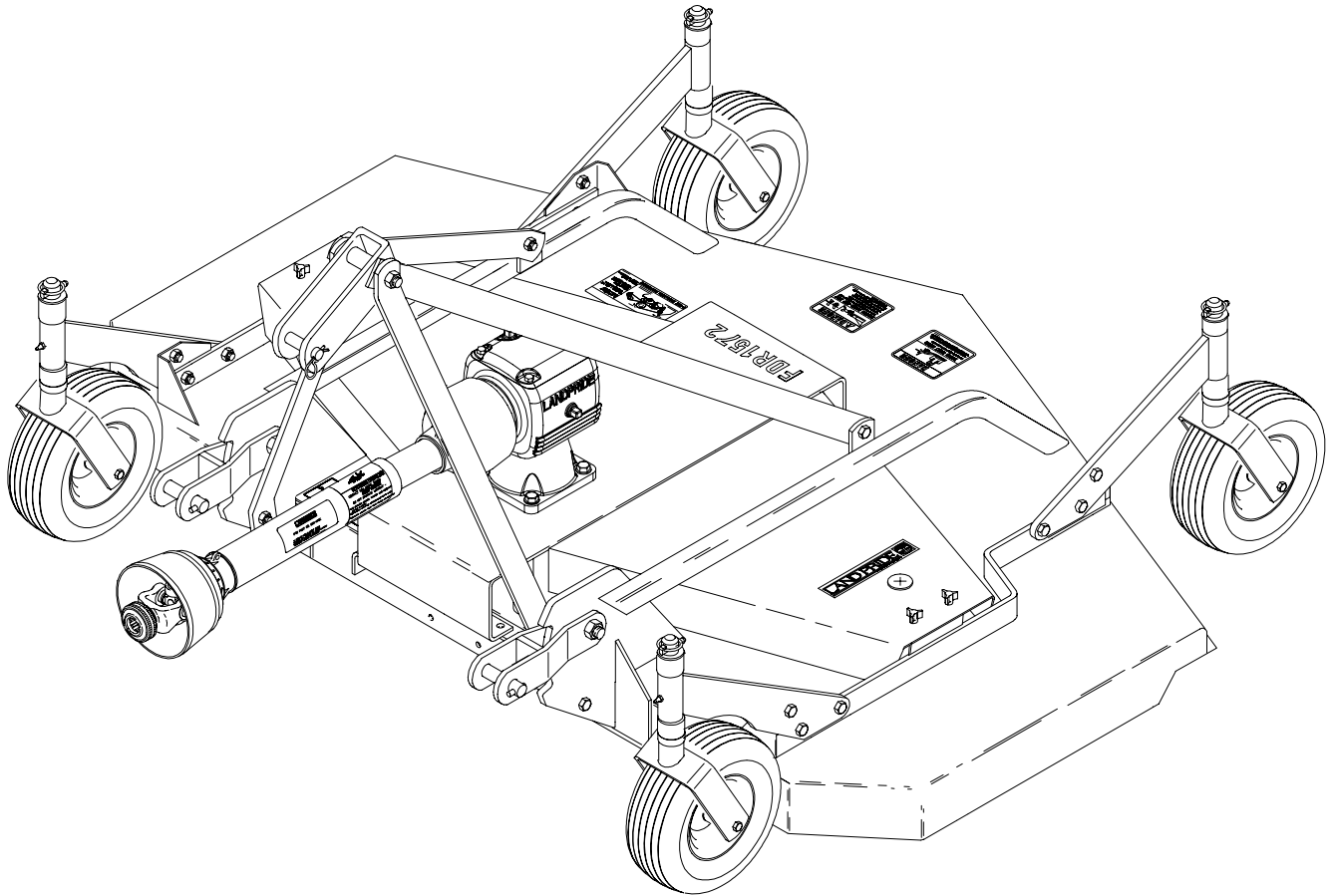


# Operator's Manual

FDR15  
Rear Discharge Grooming  
Mowers



13600

*Cover photo may show optional equipment not supplied with standard unit.*



Read the Operator's manual entirely. When you see this symbol, the subsequent instructions and warnings are serious - follow without exception. Your life and the lives of others depend on it!

© Copyright 2000 Printed 5/01/08



# Table of Contents

<b>Important Safety Information</b> . . . . .	<b>1</b>	<b>Section 4 Troubleshooting</b> . . . . .	<b>13</b>
Safety Labels . . . . .	4	<b>Section 5 Maintenance and Lubrication</b> .14	
<b>Introduction</b> . . . . .	<b>8</b>	Maintenance . . . . .	14
Using This Manual . . . . .	8	Service Mowing Blades . . . . .	14
Terminology: . . . . .	8	Blade Sharpening . . . . .	14
Definitions: . . . . .	8	Blade Replacement . . . . .	14
Owner Assistance . . . . .	8	V-Belt Installation . . . . .	14
<b>Section 1 Assembly and Setup</b> . . . . .	<b>9</b>	Storage . . . . .	14
Tractor Requirements . . . . .	9	AIR TIRES (AIR PRESSURE): . . . . .	14
Upper Hitch Arms . . . . .	9	Lubrication . . . . .	15
Tractor Hook-Up . . . . .	10	Driveline Shaft U-Joints . . . . .	15
Driveline Installation . . . . .	10	Wheel Support Bushings & Wheel Bearings . .15	
<b>Section 2 Operating Instructions</b> . . . . .	<b>11</b>	Bearing in Blade Spindle Hubs . . . . .	15
Transporting . . . . .	11	Gearbox . . . . .	16
Mowing Instructions . . . . .	11	Driveline Profiles . . . . .	16
Operating Instructions . . . . .	11	<b>Section 6 Specifications and Capacities</b> 17	
<b>Section 3 Adjustments</b> . . . . .	<b>12</b>	<b>Section 7 Appendix</b> . . . . .	<b>18</b>
Leveling the Mower . . . . .	12	Torque Values Chart for Common Bolt Sizes . . . .18	
Cutting Height Adjustment . . . . .	12	Tire Inflation Chart . . . . .	18
3-Point Hitch Adjustments . . . . .	12	Warranty . . . . .	19
Belt Tension . . . . .	12		

© Copyright 2000 All rights Reserved

Land Pride provides this publication "as is" without warranty of any kind, either expressed or implied. While every precaution has been taken in the preparation of this manual, Land Pride assumes no responsibility for errors or omissions. Neither is any liability assumed for damages resulting from the use of the information contained herein. Land Pride reserves the right to revise and improve its products as it sees fit. This publication describes the state of this product at the time of its publication, and may not reflect the product in the future. The illustrations in this manual are not intended for safe and proper assembly or disassembly of equipment. The illustrations are intended for ordering parts only.

Land Pride is registered trademark.

All other brands and product names are trademarks or registered trademarks of their respective holders.

Printed in the United States of America.

Important Safety Information

Important Safety Information

**Be Aware of Signal Words**

The word that designates a degree or level of hazard seriousness. The signal words are:

**⚠ DANGER!**

Indicates an imminently hazardous situation which, if not avoided, will result in death or serious injury. This signal word is limited to the most extreme situations, typically for machine components that, for functional purposes, cannot be guarded.

**⚠ WARNING!**

Indicates a potentially hazardous situation which, if not avoided, could result in death or serious injury, and includes hazards that are exposed when guards are removed. It may also be used to alert against unsafe practices.

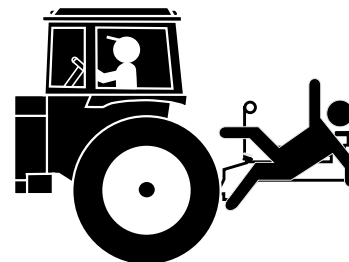
**⚠ CAUTION!**

Indicates a potentially hazardous situation which, if not avoided, may result in minor or moderate injury. It may also be used to alert against unsafe practices.



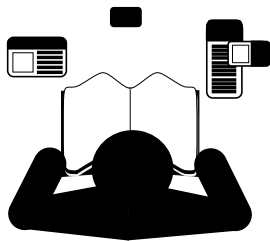
**Keep Riders Off Machinery**

- ▲ Riders obstruct the operator's view they could be struck by foreign objects or thrown from the machine.
- ▲ Never allow children to operate equipment.



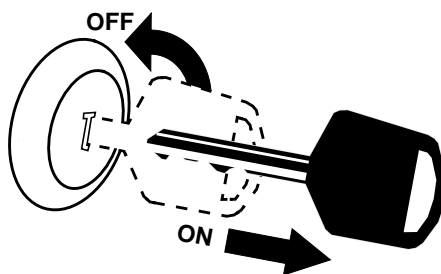
**For Your Protection**

- ▲ Thoroughly read and understand the "Safety Label" section, read all instructions noted on them.



**Shutdown and Storage**

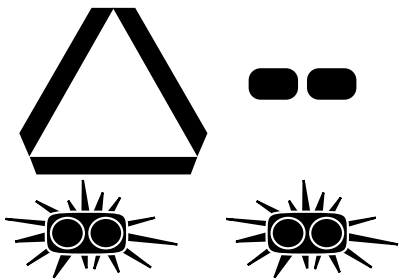
- ▲ Lower machine to ground, put tractor in park, turn off engine, and remove the key.
- ▲ Detach and store implements in a area where children normally do not play. Secure implement by using blocks and supports.



## Important Safety Information

### Use Safety Lights and Devices

- ▲ Slow moving tractors, self-propelled equipment, and towed implements can create a hazard when driven on public roads. They are difficult to see, especially at night.
- ▲ Flashing warning lights and turn signals are recommended whenever driving on public roads. Use lights and devices provided with implement.

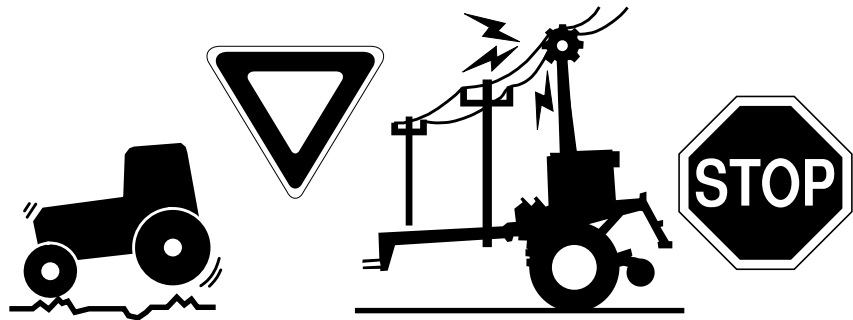


### Transport Machinery Safely

- ▲ Comply with state and local laws.
- ▲ Maximum transport speed for implement is 20 mph. DO NOT EXCEED. Never travel at a speed which does not allow adequate control of steering and stopping. Some rough terrains require a slower speed.
- ▲ Sudden braking can cause a towed load to swerve and upset.

Reduce speed if towed load is not equipped with breaks.

- ▲ Use the following maximum speed - tow load weight ratios as a guideline:
- ▲ **20 mph** when weight is less than or equal to the weight of tractor.
- ▲ **10 mph** when weight is double the weight of tractor.
- ▲ **IMPORTANT:** Do not tow a load that is more than double the weight of tractor.



### Practice Safe Maintenance

- ▲ Understand procedure before doing work. Use proper tools and equipment, refer to Operator's Manual for additional information.
- ▲ Work in a clean dry area.
- ▲ Lower the implement to the ground, put tractor in park, turn off engine, and remove key before performing maintenance.
- ▲ Allow implement to cool completely.
- ▲ Install all transport locks on raised drill before working underneath, refer to the Operator's Manual for quantity and location of transport locks.
- ▲ Do not grease or oil implement

while it is in operation.

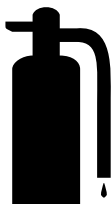
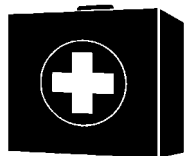
- ▲ Move the opener handle to the "ROAD" position and complete raising the openers to lock them up before working underneath them.
- ▲ Disk edges are sharp. Be careful when working in this area.
- ▲ Disconnect battery ground cable (-) before servicing or adjusting electrical systems or before welding on implement.
- ▲ Inspect all parts. Make sure parts are in good condition & installed properly.
- ▲ Remove buildup of grease, oil or debris.
- ▲ Remove all tools and unused parts



**Important Safety Information**

**Prepare for Emergencies**

- ▲ Be prepared if a fire starts.
- ▲ Keep a first aid kit and fire extinguisher handy.
- ▲ Keep emergency numbers for doctor, ambulance, hospital and fire department near phone.



**Wear Protective Equipment**

- ▲ Protective clothing and equipment should be worn.
- ▲ Wear clothing and equipment appropriate for the job. Avoid loose fitting clothing.
- ▲ Prolonged exposure to loud noise can cause hearing impairment or hearing loss. Wear suitable hearing protection such as earmuffs or earplugs.
- ▲ Operating equipment safely requires the full attention of the operator. Avoid wearing radio headphones while operating machinery.



**Tire Safety**

- ▲ Tire changing can be dangerous and should be preformed by trained personnel using the correct tools and equipment.
- ▲ When inflating tires, use a clip-on chuck and extension hose long enough to allow you to stand to one side and NOT in front of or over the tire assembly. Use a safety cage if available.
- ▲ When removing and installing wheels, use wheel handling equipment adequate for the weight involved.



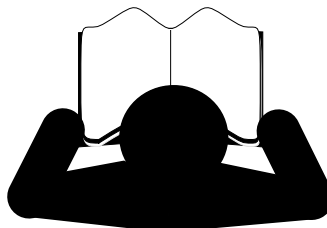
**Safety at All Times**

Thoroughly read and understand the instructions given in this manual before operation. Refer to the "Safety Label" section, read all instructions noted on them.

- ▲ Operator should be familiar with all functions of the unit.
- ▲ Operate implement from the driver's seat only.
- ▲ Do not leave tractor or implement unattended with engine running.
- ▲ Dismounting from a moving tractor could cause serious injury or death.

tor could cause serious injury or death.

- ▲ Do not stand between the tractor and implement during hitching.
- ▲ Keep hands, feet, and clothing away from power-driven parts.
- ▲ Wear snug fitting clothing to avoid entanglement with moving parts.
- ▲ Watch out for wires, trees, etc., when folding and raising implement. Make sure all persons are clear of working area.
- ▲ Turning tractor too tight may cause implement to ride up on wheels. This could result in injury



## Important Safety Information

### Safety Labels

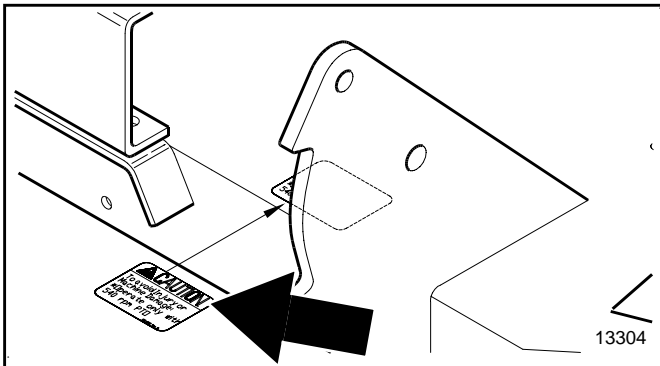
Your implement comes equipped with all safety labels in place. They were designed to help you safely operate your implement.

1. Read and follow label directions.
2. Keep all safety labels clean and legible.
3. Replace all damaged or missing labels.
4. Some new equipment installed during repair require safety labels to be affixed to the replaced component as specified by the manufacturer. When ordering new components make

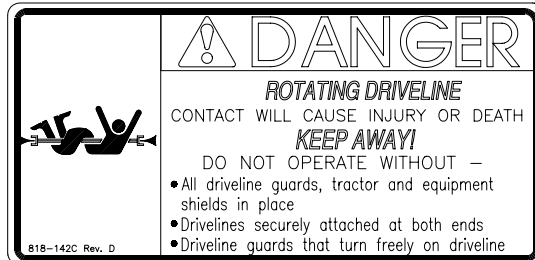
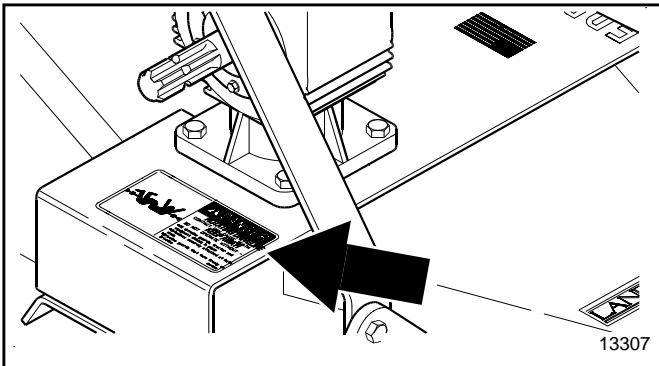
sure the correct safety labels are included in the request. To order new labels go to your Land Pride dealer.

5. Refer to this section for proper label placement. To install new labels:

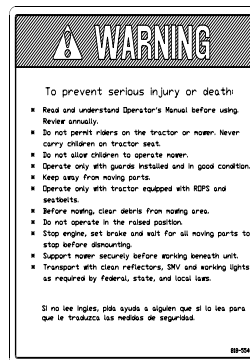
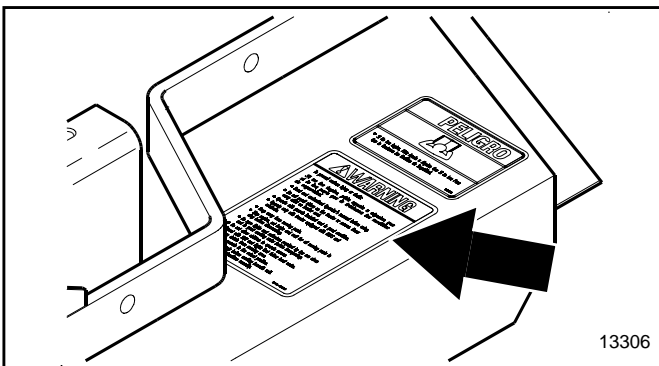
- a. Clean the area the label is to be placed.
- b. Peel backing from label. Press firmly on surface being careful not to cause air bubbles under label.



**818-130C**  
Caution

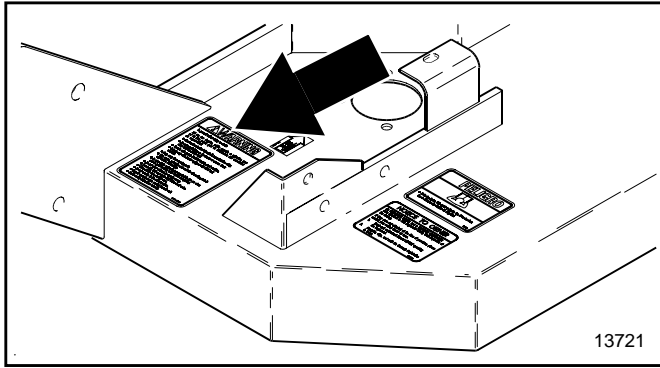


**818-142C**  
Danger: Rotating Driveline



**818-554C**  
Warning: General (FDR1548)

Important Safety Information



**WARNING**

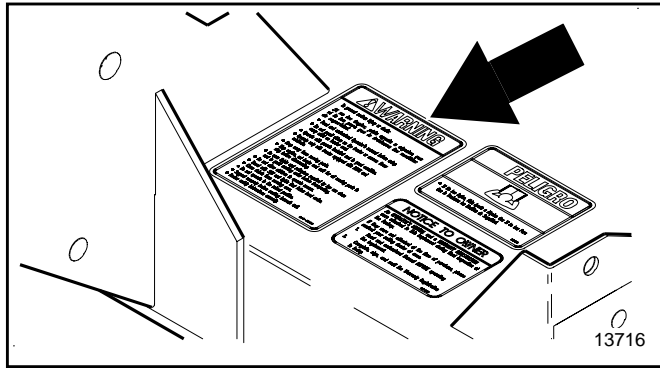
To prevent serious injury or death:

- Read and understand Operator's Manual before using. Review annually.
- Do not permit riders on the tractor or mower. Never carry children on tractor seat.
- Do not allow children to operate mower.
- Operate only with guards installed and in good condition.
- Keep away from moving parts.
- Operate only with tractor equipped with ROPS and seatbelts.
- Before mowing, clear debris from mowing area.
- Do not operate in the raised position.
- Stop engine, set brake and wait for all moving parts to stop before dismounting.
- Support mower securely before working beneath unit.
- Transport with clean reflectors, SRV and working lights as required by federal, state, and local laws.

Si no lee inglés, pida ayuda a alguien que sí lo lee para que le traduzca las medidas de seguridad.

818-554C

**818-554C**  
Warning: General (FDR1560)



**WARNING**

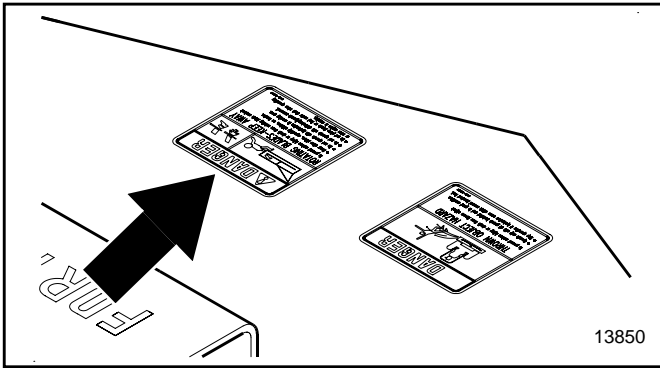
To prevent serious injury or death:

- Read and understand Operator's Manual before using. Review annually.
- Do not permit riders on the tractor or mower. Never carry children on tractor seat.
- Do not allow children to operate mower.
- Operate only with guards installed and in good condition.
- Keep away from moving parts.
- Operate only with tractor equipped with ROPS and seatbelts.
- Before mowing, clear debris from mowing area.
- Do not operate in the raised position.
- Stop engine, set brake and wait for all moving parts to stop before dismounting.
- Support mower securely before working beneath unit.
- Transport with clean reflectors, SRV and working lights as required by federal, state, and local laws.

Si no lee inglés, pida ayuda a alguien que sí lo lee para que le traduzca las medidas de seguridad.

818-554C

**818-554C**  
Warning: General (FDR1572)



**DANGER**

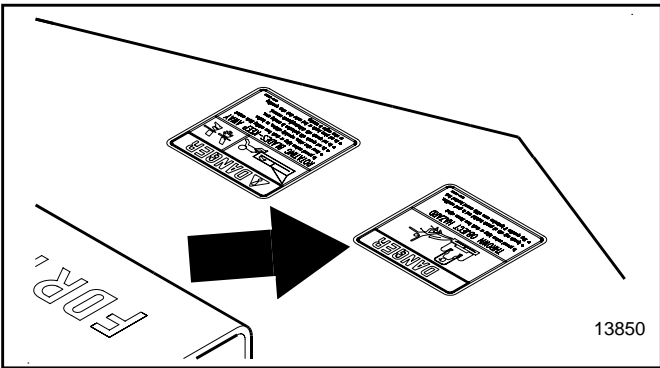
**ROTATING BLADES—KEEP AWAY**

To prevent serious injury or death from rotating blade contact:

- Never allow riders, especially children, on tractor.
- Do not operate with bystanders in mowing area.
- Do not operate with deflectors/guards removed.
- Do not place hands or feet under deck when operating or when engine is running.

818-555C

**818-555C**  
Danger: Rotating Blade



**DANGER**

**THROWN OBJECT HAZARD**

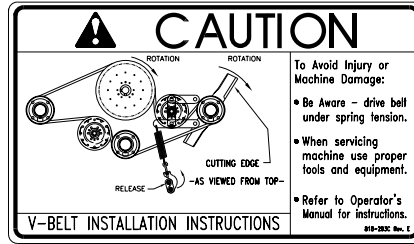
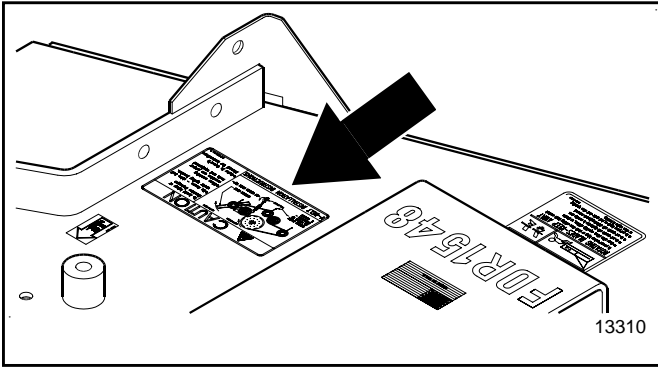
To prevent serious injury or death from thrown object:

- Operate only with all guards installed and in good condition.
- Stop operation if bystanders come within several hundred feet.

818-556C

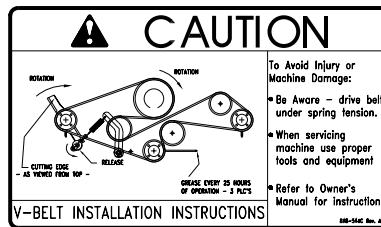
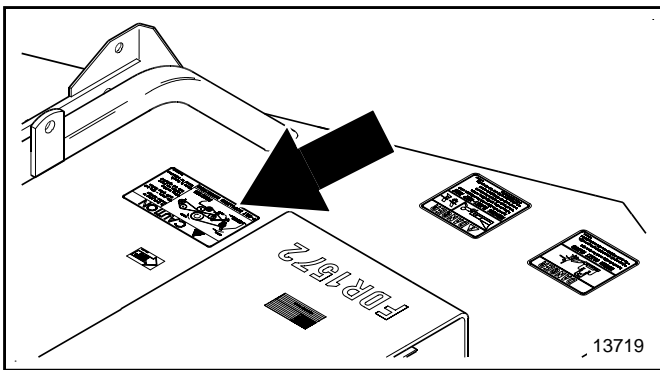
**818-556C**  
Danger: Thrown Object

Important Safety Information



**818-293C**

Caution: V-Belt Installation (FDR1548)

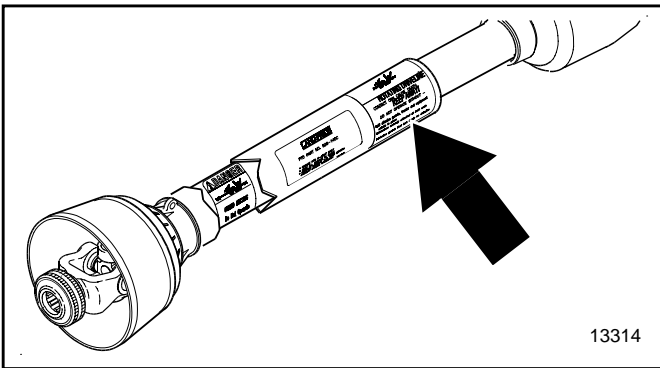


**818-514C**

Caution: V-Belt Installation (FDR1572)

**818-529C**

Caution: V-Belt Installation (FDR1560)

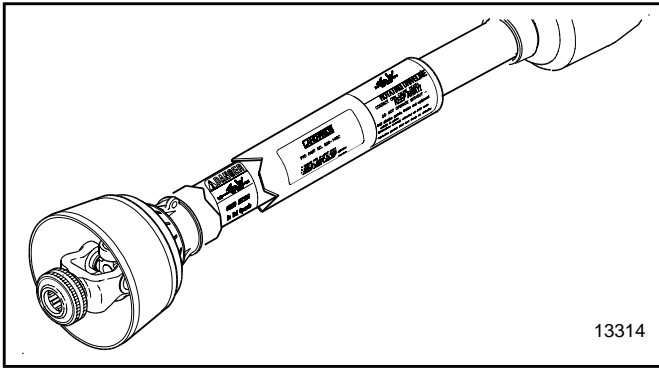


**818-552C**

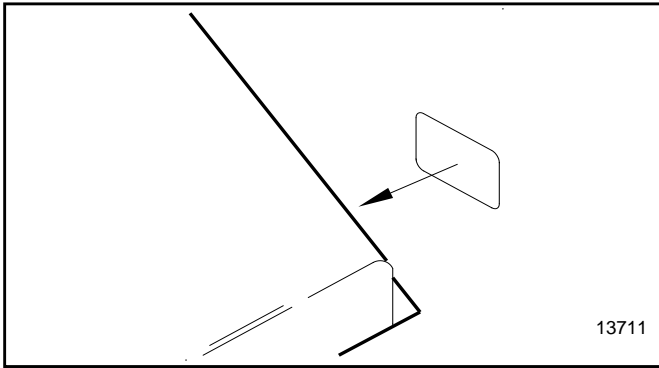
Danger: Rotating Driveline



**Important Safety Information**



**818-540C**  
Danger: Guard Missing



**818-230C**  
Red Reflector

## Introduction

# Introduction

Land Pride welcomes you to the growing family of new product owners.

This implement has been designed with care and built by skilled workers using quality materials. Proper assembly, maintenance, and safe operating practices will help you get years of satisfactory use from the machine.

The parts on your FDR15 Grooming Mower have been specially designed and should only be replaced with genuine Land Pride parts. Therefore, should your Rotary Cutter require replacement parts go to your Land Pride Dealer.

## Using This Manual

This Operator's Section is designed to help familiarize you with safety, assembly, operation, adjustments, troubleshooting, and maintenance. Read this manual and follow the recommendations to help ensure safe and efficient operation.

The warranty Registration card should be filled out by the dealer at the time of purchase.

To order a new Operator or Parts Manual contact your authorized dealer. You may obtain parts information from our website at [www.landpride.com](http://www.landpride.com).

The information contained within this manual was current at the time of printing. Some parts may change slightly to assure you of the best performance.

### Terminology:

"Right " or "Left" as used in this manual is determined by facing the direction the machine will travel while in use unless otherwise stated.

### Definitions:

**IMPORTANT:** A special point of information related to its preceding topic. The author's intention is that this information should be read and noted before continuing.

**NOTE:** A special point of information that the author feels an operator must be aware of before continuing.

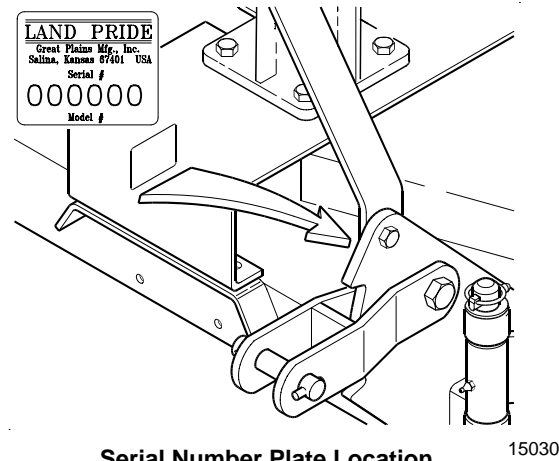
## Owner Assistance

If customer service or repair parts are required contact an Land Pride dealer. A dealer has trained personnel, repair parts and equipment needed to service the implement.

These parts have been specially designed and should only be replaced with genuine Land Pride parts.

## Serial Number Plate

Refer to the Figure 1 for the location of your serial number plate.



**Serial Number Plate Location**  
**Figure 1**

For prompt service always use the serial number and model number when ordering parts from your Land Pride dealer. Be sure to include your serial and model numbers in correspondence also.

Your dealer wants you to be satisfied with your new machine. If for any reason you do not understand any part of this manual or are not satisfied with the service received, the following actions are suggested:

1. Discuss the matter with your dealership service manager make sure he is aware of any problems you may have and that he has had the opportunity to assist you.
2. If you are still not satisfied, seek out the owner or general manager of the dealership, explain the problem and request assistance.
3. For further assistance write to:

## Product Support

**Land Pride, Service Department**  
1525 East North Street  
P.O. Box 5060  
Salina, Ks. 67402-5060

## Section 1 Assembly and Setup

## Section 1 Assembly and Setup

## Tractor Requirements

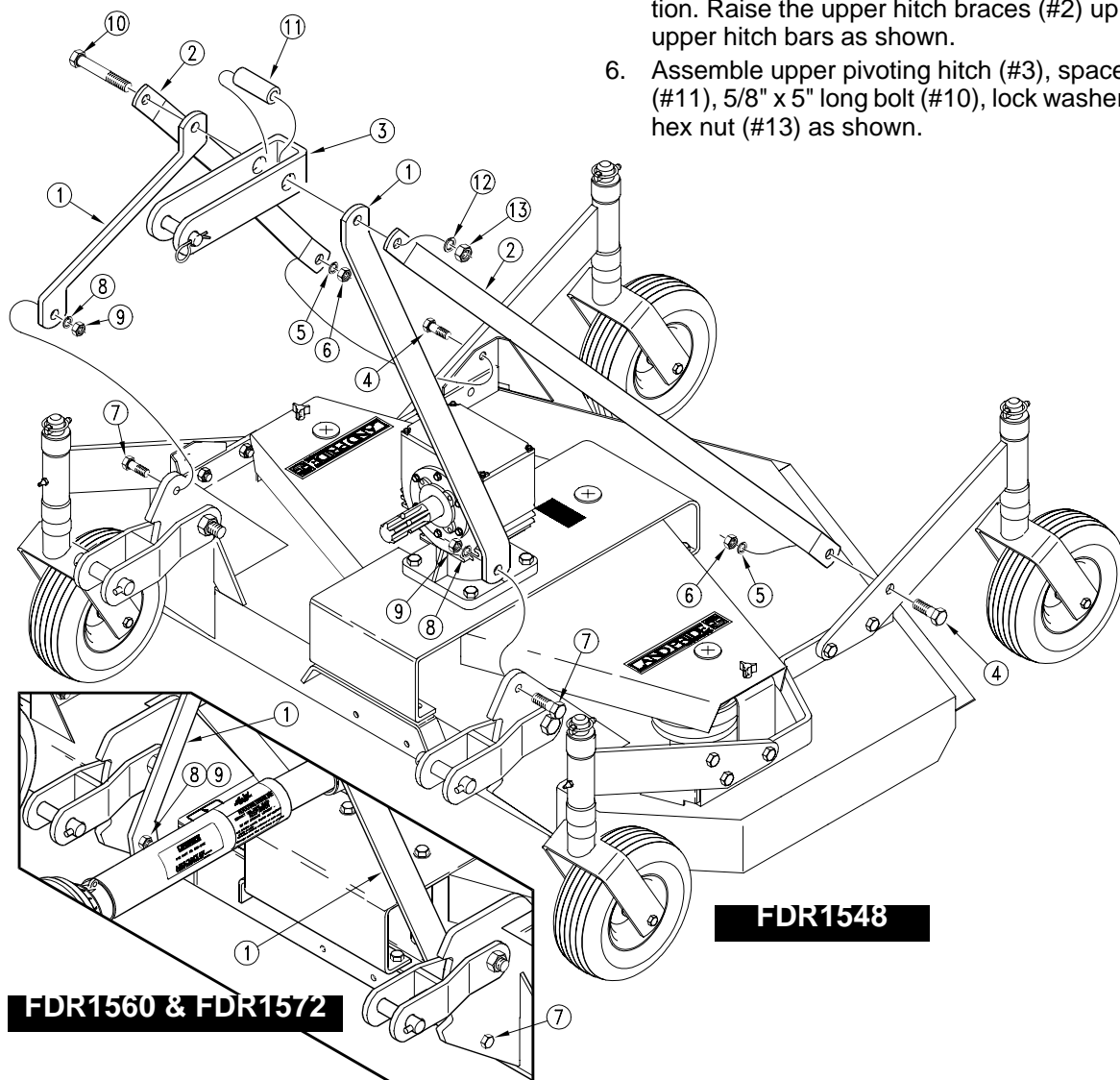
This mower is designed with a 3-Point category I hitch. Horse power rating of tractor should not exceed 26 PTO horse power for FDR1548 mowers and 35 PTO for FDR1560 & FDR1572 mowers.

**NOTE:** In order to maintain steering control, ballast may need to be added to your tractor. To determine whether or not to add the ballast, refer to your tractors' operator manual.

## Upper Hitch Arms

## Refer to Figure 1-1:

1. Remove the upper hitch bars (#1), upper hitch braces (#2), and upper pivoting hitch subassembly (#3) from the storage position on top of the mower deck.
2. Bolt the upper hitch braces to the mounting tabs on back of the deck using 1/2" bolts (#4), lock washer (#5), and hex nut (#6).
3. Mount the upper hitch bars (#1) to the inside of front hitch plates on the mower frame using the 5/8" x 1 3/4" long bolts (#7), lock washers (#8) and hex nuts (#9).
4. Remove 5/8" x 5" long bolt (#10), lock washer (#8), and hex nut (#9) from the upper pivoting hitch subassembly.
5. Swing the upper hitch bars (#1) up to a vertical position. Raise the upper hitch braces (#2) up inside the upper hitch bars as shown.
6. Assemble upper pivoting hitch (#3), spacer top hitch (#11), 5/8" x 5" long bolt (#10), lock washer (#12), and hex nut (#13) as shown.



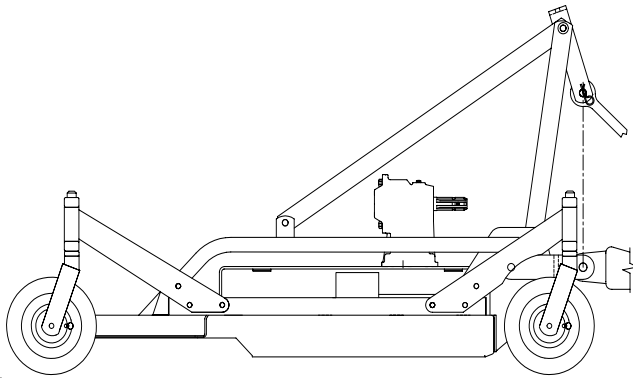
Upper Hitch Arms Assembly  
Figure 1-1

15028

## Section 1 Assembly and Setup

### Tractor Hook-Up

1. Be certain that tractor draw bar will not interfere. Move draw bar ahead or remove if required. Draw bar should also be checked for clearance when unit is being raised for the first time.
2. Align lower link arms of tractor to hitch clevises on mower. Insert lower hitch pins into lower ball swivels and attach lynch pins.
3. Attach tractor top link to upper floating hitch on mower with pin supplied. Secure with lock pin Refer to Figure 1-2.
4. Adjust the tractor top link in or out to place the upper hitch pin vertically above the lower hitch pins as shown in Figure 1-2, to allow mower flotation.



Tractor Hook-Up  
Figure 1-2

13816

### Driveline Installation

1. Slide driveline end with extended safety cone over splined shaft of the gearbox and secure with attaching device.
2. Slide driveline over the tractor's splined PTO shaft and secure with locking device of powershaft.
3. Driveline should now be moved back and forth to insure that it is secure on the PTO shaft of the tractor and mower gearbox.
4. Attach the chain from the PTO shield to one of the upper hitch braces to ensure that the shield does not rotate.
5. Should the driveline require shortening:
  - a. Hold the half-shafts next to each other in the shortest working position and mark them.
  - b. Shorten inner and outer guard tubes equally.
  - c. Shorten inner and outer sliding profiles by the same length as the guard tubes.
  - d. Proper overlap is a minimum of one-half the length of each tube, with both tubes being of equal length.
  - e. Round off all sharp edges and remove burrs. Grease sliding profiles.



### CAUTION!

*Tractor PTO shield and all mower guards must be in place at all times during operation!*

## Section 2 Operating Instructions

# Section 2 Operating Instructions

## Transporting

NOTE: Always disengage PTO before raising the mower to transport position.

2. When raising the mower to the transport position, be sure that powershaft does not contact tractor or mower. Adjust and set the tractor's 3-point hitch lift height so that the PTO shaft does not contact mower deck, in the fully raised position.
3. Be sure to reduce tractor ground speed when turning; and, leave enough clearance so the mower does not contact obstacles such as buildings, trees or fences.
4. Select a safe ground travel speed when transporting from one area to another. When traveling on roadways, transport in such a way that faster moving vehicles may pass you safely.
5. When traveling over rough or hilly terrain, shift tractor to a lower gear.



### CAUTION!

*When traveling on public roads, whether at night or during the day, use accessory lights and devices for adequate warning to operators of other vehicles. Comply with all Federal, State, and local laws.*

## Mowing Instructions

6. Clear the area to be mowed of objects and debris that might be picked up and thrown by the mower blades.
7. Grass is best cut when it is dry. Mowing wet grass can cause plugging resulting in grass clumps behind the mower.
8. Grass should be mowed frequently as shorter clippings deteriorate faster.
9. If mowing extremely tall grass, it is best to raise cutting height and mow the area, then lower cutting height and mow a second time at the desired height.



### CAUTION!

*When mowing in sandy soil areas, wear may occur to your mower blades caused from sand erosion. Frequent inspection should be made and blades replaced if damaged.*

## Operating Instructions

Proper Servicing and adjustments is the key to the long life of any machine. With careful and systematic inspection of the mower, you can avoid costly maintenance, time and repair.

Before beginning to mow, the following inspection should be performed:

1. Check oil level in gearbox. Refer to "**Section 5 Maintenance and Lubrication**" starting on page 14.
2. Check that all plugs in gearbox have been replaced and tightened properly.
3. Be sure all mower blades, bolts and nuts are tight.
4. Be certain all guards and shields are in place and secure.
5. Grease PTO shaft and all other grease fittings.
6. Clear the area to be mowed of rocks, branches and other foreign objects.
7. Lower mower to ground. Set tractor throttle at approximately 1/4 open. Engage PTO to start blades rotating.
8. Operate with 540 rpm PTO tractor.
9. At first begin mowing at a slow forward speed and shift up until the desired speed is achieved - maintaining 540 PTO rpm.
10. Mower blades will cut better at a faster blade speed than at reduced throttle.
11. After mowing the first 50 feet, stop and check to see that the mower is adjusted properly.
12. **Do not** make sharp turns or attempt to back up while mower is on the ground.
13. **Do not** engage PTO with mower in the fully raised position. **Do not** engage PTO at full throttle.

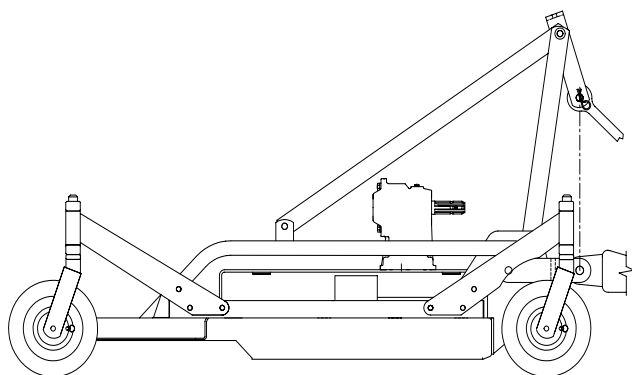
## Section 3 Adjustments

## Section 3 Adjustments

## Leveling the Mower

NOTE: Tractor and mower should be on level ground.

14. Set lower hitches and upper floating hitch, as shown below in Figure 3-1.
15. Start tractor and raise mower, watching that tractor draw bar (if not removed) does not interfere with mower.
16. Slowly lower the mower until gauge wheels touch the ground and the lower mower 3-point hitch bars are parallel to the ground in floating position. Set tractor 3-point stop.
17. Set park brake and turn off tractor. Remove key from ignition.
18. Rotate blades parallel to direction of travel.
19. Measure the clearance from the cutting edge to the ground at front and rear of the blade. This measurement should be equal or have the blade at the front of the mower not more than 1/2" lower than the blade at the rear of the mower.



3-Point Hitch  
Figure 3-1

## Cutting Height Adjustment

1. Using the tractor, raise the mower off the ground and support under it with secure blocking so not to let the mower drift down during maintenance.
2. Holding wheel and yoke assembly up, remove quick-lock pin from top of gauge wheel spindle. Position full length spacers and half spacer as required. All spacers on top of spindle tube allows for approximately 3/4" cutting height. Adjustments range from 3/4" to a maximum of 3-1/4" in 1/2" increments on FDR1548 mowers and 5 1/4" in 1/2" increments on FDR1560 & FDR1572 mowers. Refer to "Leveling the Mower" beginning on this page.

## 3-Point Hitch Adjustments

The 3-point hitch system on this mower has been designed for front to back flotation when mowing on uneven terrain. Adjust the tractor's top link to place the upper hitch pin vertically above the lower hitch pins as shown below.

### CAUTION!

Engage parking brake, shut off tractor, remove key and disengage PTO before making any height adjustments!

## Belt Tension

Refer to Figure 3-2:

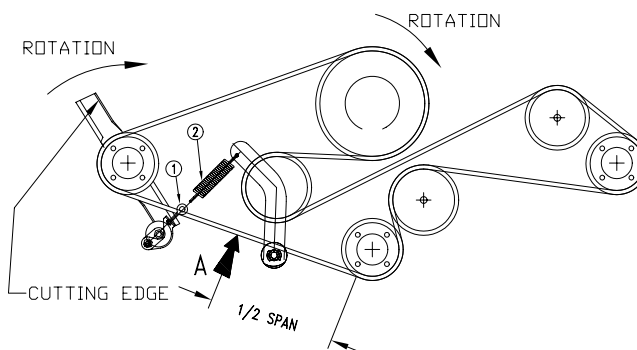
### CAUTION!

Belt drive system under spring tension; use care to avoid bodily harm!

1. To check tension apply force at arrow A. With a tension tester and deflect the belt 1/4". The force required to get this deflection should range from 7 to 10 lbs.
2. To adjust belt tension, adjust eyebolt (#1), as necessary. This adjustment will increase or decrease the tension on spring (#2).
3. Excessive tension on the belt may lead to premature failure of belt and drive components. Excessive tension on the belt may also lead to a safety hazard to the operator or bystanders. Not enough tension on the belt may lead to premature failure of the belt due to excessive slipping.

### WARNING!

Excessive tension on the belt may lead to premature failure of belt and drive components. Excessive tension on the belt may also lead to a safety hazard to the operator or bystanders.



Belt Tension  
Figure 3-2

13663

## Section 4 Troubleshooting

## Section 4 Troubleshooting

Problem	Solution
<b>Discharge chute plugged</b>	Check installation of belt.
	Wait until grass dries.
	Raise cutting height of mower and cut grass twice.
	Mow at full throttle (540 PTO rpm), check PTO speed and tractor engine.
	Shift transmission to a lower gear.

**CAUTION!**

*Do not try to clean discharge chute when mower is running. Bodily harm may occur!*

<b>Belt slipping</b>	Unplug and clean mower deck.
	Remove belt guard shields and clean sheaves.
	Tighten spring take-up eyebolt.
	Replace belt.
<b>Patches of uncut grass</b>	Mow at full throttle (540 PTO rpm), check PTO speed and tractor engine.
	Shift transmission to a lower gear.
	Tighten spring take-up eyebolt.
	Sharpen and balance or replace blade.
<b>Excessive vibration</b>	Remove belt guard shield and clean debris from belt area and sheaves.
	Replace drive belt.
	Replace sheaves or align.
	Remove belt guard shields & clean debris from belt area & sheaves.
	Readjust 3-point hitch to raise mower to maximum of 14 inches.
<b>Gearbox noisy</b>	Check lubricant level.
<b>Blades scalping grass</b>	Raise cutting height by adjusting wheels.
	Change mowing pattern.
	Reduce speed turns.
<b>Uneven cut</b>	Shift to a lower gear.
	Level mower.
	Sharpen blades & balance or replace.
<b>Tractor loaded down by mower</b>	Mow at full throttle (540 PTO rpm).
	Shift to a lower gear.
	Clean mower.

## Section 5 Maintenance and Lubrication

### Section 5 Maintenance and Lubrication

#### Maintenance

Proper servicing and adjustment is the key to the long life of any implement. With careful and systematic inspection, you can avoid costly maintenance, time and repair.

After using the unit for several hours, check all bolts to be sure they are tight.

Replace any worn, damaged or illegible safety labels by obtaining new labels from your Land Pride Dealer.

#### CAUTION!

*For safety reasons, each maintenance operation must be performed with tractor PTO disengaged, the mower lowered completely to the ground or folded with the transport locks engaged and the tractor engine shut off with ignition key removed.*

- After using the mower for several hours, check all bolts to be sure they are tight and check the tension of the drive belt. Refer to *Belt Tension* in the “**Adjustments**” section on page 12.
- Lubricate items as listed under *Lubrication*, this section, starting on page 15.
- Always maintain the proper air pressure in the tires. The *Tire Inflation Chart* is located in the “**Appendix**” section on page 18.
- Replace any worn, damaged or illegible safety labels by obtaining new labels from your Land Pride Dealer. Information about labels is located under *Safety Labels* in the “**Important Safety Information**” section starting on page 1.

#### Service Mowing Blades

##### Blade Sharpening

Blades should be sharpened at each end to the same angle as the original cutting edge.

NOTE: Care should be taken in order not to remove any more material than necessary to sharpen blade.

Balance each blade after sharpening.

##### Blade Replacement

**IMPORTANT:** Always install blade with the cutting edge facing direction of rotation. Refer to Figure 3-2 on page 12 for proper blade placement due to different rotations on decks.

1. Remove the bolt and blade washer from the bottom of the blade to be replaced. Remove blade.
2. Install the blade washer into the center hole on blade.

3. Replace the bolt. Tighten to the proper torque as listed in the *Torque Values Chart* in the “**Appendix**” section on page 18.

**IMPORTANT:** Replace blades with Land Pride blades only.

##### V-Belt Installation

These illustrations are also on the labels located on the top of the mower decks.

1. Remove the right hand and the left hand belt covers.
2. Disengage belt tensioning latch by turning release nut with a 3/4" socket or wrench.
3. With tension relieved from belt remove old belt from pulleys.
4. To install a new belt be sure the belt is positioned in all the pulley grooves. Engage belt tensioning latch by turning release nut with a 3/4" socket or wrench to apply tension to new belt. Check the belt tension, refer to Figure 3-2 on page 12.
5. Reinstall all belt covers and secure in place with hardware.

#### Storage

At the end of the working season or when the mower will not be used for a long period, it is good practice to clean off any dirt or grease that may have accumulated on the mower and any of the moving parts.

1. Clean as necessary.
2. Check the blades for wear and replace if necessary, see *Service Mowing Blades*, this section on page 14.
3. Inspect the mower for loose, damaged or worn parts and adjust or replace as needed.
4. Lubricate as noted in the *Lubrication* portion of this section starting on page 15.
5. Store unit inside if possible for longer life.

Repaint parts where paint is worn or scratched to prevent rust. Ask your dealer for Aerosol Land Pride Beige touch-up paint #821-011C.

#### AIR TIRES (AIR PRESSURE):

Tire Sealant: Heavy Duty tire sealant has been added in Air tires to help reduce air loss from punchers due to nails/thorns etc....

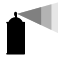



NOTE: Under inflated tires can roll off of rim. Maintaining air pressure within 5 PSI of maximum tire pressure reduces the risk of tires rolling off of rim.

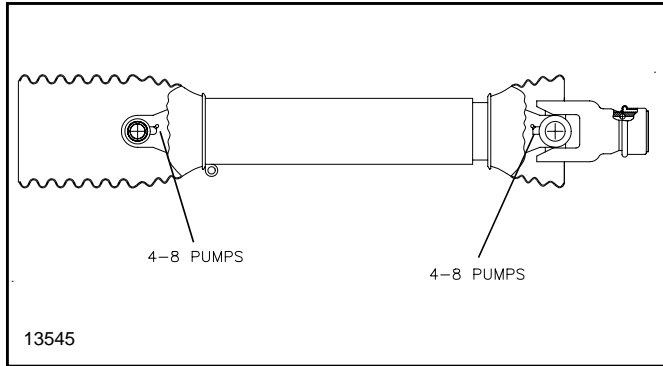




Section 5 Maintenance and Lubrication

Lubrication

**Lubrication Legend**

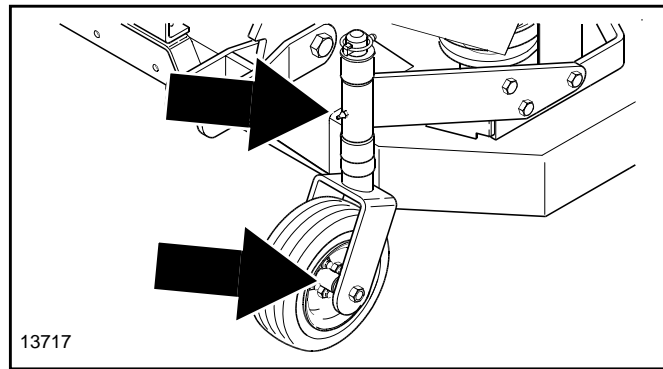
 Multipurpose spray lube	 Multipurpose grease lube	 Multipurpose oil lube	 Intervals at which lubrication is required
---	--	--	--





	
---	---

Driveline Shaft U-Joints

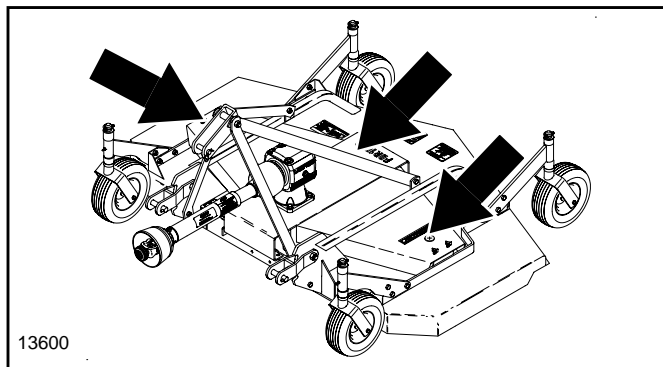
Type of Lubrication: Multipurpose Grease





	
---	---

Wheel Support Bushings & Wheel Bearings

Type of Lubrication: Multipurpose Grease

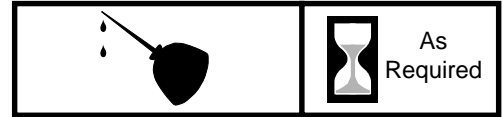
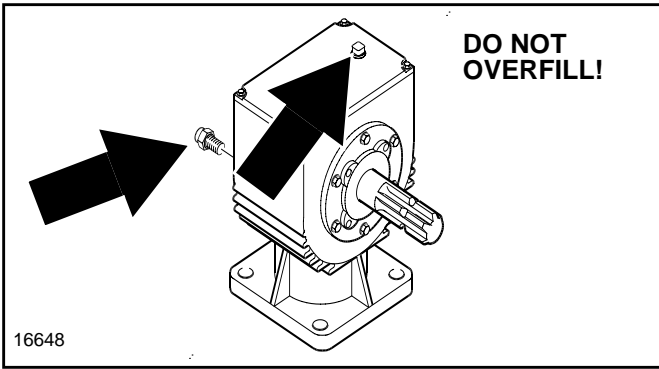


	
---	---

Bearing in Blade Spindle Hubs

Type of Lubrication: Multipurpose Grease

## Section 5 Maintenance and Lubrication



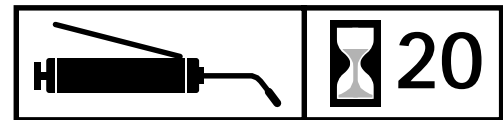
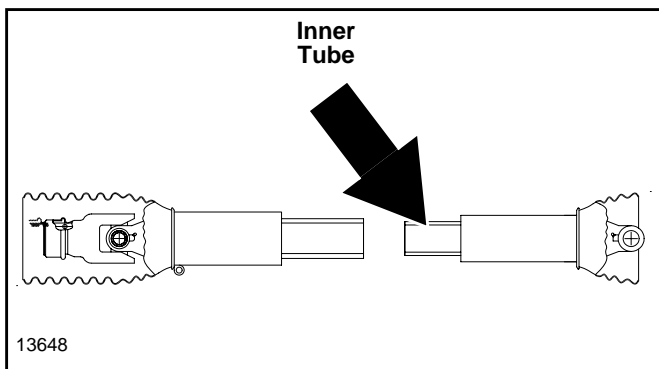
### Gearbox

Type of Lubrication: SAE 90W Gear Lube

Check the oil level in the gearbox by removing the plug in the top of the box. Add oil if necessary into the biggest plug at the back of the box. Retighten both plugs.

Do not overfill! Should your gearbox require service, take it to your LAND PRIDE dealer.

**IMPORTANT:** Mower should be level when checking oil in gearbox!



### Driveline Profiles

Type of Lubrication: Multipurpose Grease

**Section 6 Specifications and Capacities**

**Section 6** *Specifications and Capacities*

<b>FDR1548, FDR1560 and FDR1572 Rear Discharge Grooming Mowers</b>			
	<b>FDR1548</b>	<b>FDR1560</b>	<b>FDR1572</b>
<b>Cutting Width</b>	48"	60"	72"
<b>Overall Width</b>	51"	62"	74"
<b>Height</b>	36" to 39 1/2"		
<b>Length</b>	51"	61"	64"
<b>Weight</b>	325#	492#	594#
<b>Cutting Height</b>	3/4" - 3 1/4" (1/2" increments)		
<b>Deck Material Thickness</b>	10 Gauge		
<b>Blades-3</b>	1/4" x 2 1/2" x 16-3/4" Heat Treated Alloy Steel	1/4" x 2 1/2" x 20 3/4" Heat Treated Alloy Steel	1/4" x 2 1/2" x 25" Heat Treated Alloy Steel
<b>Blade Overlap</b>	1 1/4"		
<b>Blade Tip Speed</b>	16,260 FPM	18,264 FPM	18,340 FPM
<b>Blade Spindles</b>	Greasable		
<b>Hitch</b>	Category I Floating Clevis		
<b>Gauge Wheels</b>	Castered 8" x 3" Air Tire	Castered 10" x 4" Air Tire	
<b>Caster Wheel Spindle</b>	1" Diameter with Greasable Bushing		
<b>Drive Train</b>	540 RPM PTO Gearbox 1:2.83 Ratio Cast Iron Housing Spring Loaded Single V-Belt		
<b>Recommended Tractor PTO HP</b>	26 Maximum	35 Maximum	

Section 7 Appendix

Section 7 Appendix

Torque Values Chart for Common Bolt Sizes

Bolt Size (Inches)	Bolt Head Identification						Bolt Size (Metric)	Bolt Head Identification					
	Grade 2		Grade 5		Grade 8			Class 5.8		Class 8.8		Class 10.9	
	N · m <sup>2</sup>	ft-lb <sup>3</sup>	N · m	ft-lb	N · m	ft-lb		N · m	ft-lb	N · m	ft-lb	N · m	ft-lb
in-tpi <sup>1</sup>							mm x pitch <sup>4</sup>						
1/4" - 20	7.4	5.6	11	8	16	12	M 5 X 0.8	4	3	6	5	9	7
1/4" - 28	8.5	6	13	10	18	14	M 6 X 1	7	5	11	8	15	11
5/16" - 18	15	11	24	17	33	25	M 8 X 1.25	17	12	26	19	36	27
5/16" - 24	17	13	26	19	37	27	M 8 X 1	18	13	28	21	39	29
3/8" - 16	27	20	42	31	59	44	M10 X 1.5	33	24	52	39	72	53
3/8" - 24	31	22	47	35	67	49	M10 X 0.75	39	29	61	45	85	62
7/16" - 14	43	32	67	49	95	70	M12 X 1.75	58	42	91	67	125	93
7/16" - 20	49	36	75	55	105	78	M12 X 1.5	60	44	95	70	130	97
1/2" - 13	66	49	105	76	145	105	M12 X 1	90	66	105	77	145	105
1/2" - 20	75	55	115	85	165	120	M14 X 2	92	68	145	105	200	150
9/16" - 12	95	70	150	110	210	155	M14 X 1.5	99	73	155	115	215	160
9/16" - 18	105	79	165	120	235	170	M16 X 2	145	105	225	165	315	230
5/8" - 11	130	97	205	150	285	210	M16 X 1.5	155	115	240	180	335	245
5/8" - 18	150	110	230	170	325	240	M18 X 2.5	195	145	310	230	405	300
3/4" - 10	235	170	360	265	510	375	M18 X 1.5	220	165	350	260	485	355
3/4" - 16	260	190	405	295	570	420	M20 X 2.5	280	205	440	325	610	450
7/8" - 9	225	165	585	430	820	605	M20 X 1.5	310	230	650	480	900	665
7/8" - 14	250	185	640	475	905	670	M24 X 3	480	355	760	560	1050	780
1" - 8	340	250	875	645	1230	910	M24 X 2	525	390	830	610	1150	845
1" - 12	370	275	955	705	1350	995	M30 X 3.5	960	705	1510	1120	2100	1550
1-1/8" - 7	480	355	1080	795	1750	1290	M30 X 2	1060	785	1680	1240	2320	1710
1 1/8" - 12	540	395	1210	890	1960	1440	M36 X 3.5	1730	1270	2650	1950	3660	2700
1 1/4" - 7	680	500	1520	1120	2460	1820	M36 X 2	1880	1380	2960	2190	4100	3220
1 1/4" - 12	750	555	1680	1240	2730	2010							
1 3/8" - 6	890	655	1990	1470	3230	2380							
1 3/8" - 12	1010	745	2270	1670	3680	2710							
1 1/2" - 6	1180	870	2640	1950	4290	3160							
1 1/2" - 12	1330	980	2970	2190	4820	3560							

<sup>1</sup> in-tpi = nominal thread dia .in inches-threads per inch

<sup>2</sup> N · m = newton-meters

<sup>3</sup> ft-lb= foot pounds

<sup>4</sup> mm x pitch = nominal thread dia. in millimeters x thread pitch

Torque tolerance + 0%, -15% of torquing values. Unless otherwise specified use torque values listed above.

Tire Inflation Chart	
Tire Size	Inflation PSI
8" x 3" Air Tire	30
10" x 4" Air Tire	50



## Warranty

**Land Pride** warrants to the original purchaser that this Land Pride product will be free from defects in material and workmanship for a period of one year, from the date of purchase by the end user, when used as intended and under normal service and conditions for personal use. This Warranty is limited to the replacement of any defective part by Land Pride and the installation by the dealer of any such replacement part, and does not cover common wear items such as blades, belts, tines, etc. Land Pride reserves the right to inspect any equipment or parts which are claimed to have been defective in material or workmanship.

This Warranty does not apply to any part or product which in Land Pride's judgment shall have been misused or damaged by accident or lack of normal maintenance or care, or which has been repaired or altered in a way which adversely affects its performance or reliability, or which has been used for a purpose for which the product is not designed. Misuse also specifically includes failure to properly maintain oil levels, grease points, and driveline shafts.

Claims under this Warranty must be made to the dealer which originally sold the product and all warranty adjustments must be made through such dealer. Land Pride reserves the right to make changes in materials or design of the product at any time without notice.

This Warranty shall not be interpreted to render Land Pride liable for damages of any kind, direct, consequential, or contingent to property. Furthermore, Land Pride shall not be liable for damages resulting from any cause beyond its reasonable control. This Warranty does not extend to loss of crops, any expense or loss for labor, supplies, rental machinery or for any other reason.

**No other warranty of any kind whatsoever, express or implied, is made with respect to this sale; and all implied warranties of merchantability and fitness for a particular purpose which exceed the obligations set forth in this written warranty are hereby disclaimed and excluded from this sale.**

This Warranty is not valid unless registered with Land Pride within 30 days from the date of purchase by the end user.

In addition to the Standard Limited Warranty Land Pride also provides:

A Five - Year Limited Warranty on Gearbox Components, on RC6015, RCM6015, RC5015, RCM5015, RC5010, RCM5010, PD15, PD25, PD35 and RCR3515, RCRM3515 Divider Boxes. A Three - Year Limited Warranty on Gearbox Components on RCR3596, RCR3510, RCRM3510 and RCR3515, RCRM3515 wing Gear Boxes, provided they have been properly maintained, and not subjected to misuse or abuse. Misuse specifically includes, but is not limited to, maintaining proper oil levels of the correct lubricant, and adjusting slip-clutches to provide proper protection to Gearbox Components. Warranty is One Year for seals. Seals are viewed as normal wear items and replacement will be the customer's responsibility. Gearboxes will either be replaced or rebuilt at Land Pride's discretion.



Corporate Office: P.O. Box 5060  
Salina, Kansas 67402-5060 USA

## Free Manuals Download Website

<http://myh66.com>

<http://usermanuals.us>

<http://www.somanuals.com>

<http://www.4manuals.cc>

<http://www.manual-lib.com>

<http://www.404manual.com>

<http://www.luxmanual.com>

<http://aubethermostatmanual.com>

Golf course search by state

<http://golfingnear.com>

Email search by domain

<http://emailbydomain.com>

Auto manuals search

<http://auto.somanuals.com>

TV manuals search

<http://tv.somanuals.com>