

Front Roller Kit Assembly Instructions



FDR2560, FDR2572 & FDR2584 Models

Manual No. 310-324M

Before You Start



When you see this symbol, the subsequent instructions and warnings are serious - follow without exception. Your life and the lives of others depend on it!

IMPORTANT: Before you begin, read these instructions and check to be sure all parts and tools are accounted for. Please retain these installation instructions for future reference and parts ordering information.

Your Front Roller Kit is exclusively designed for your Land Pride grooming mower. Please read these installation instructions and your grooming mower Operator's Manual thoroughly before beginning. Especially read information relating to safety concerns. Also included in the Operator's Manual is important information on operation, adjustment, troubleshooting, and maintenance for this attachment (some manual sections do not apply to all accessories).

A separate Parts Manual for replacement parts can be purchased from your dealer or available free of charge at www.landpride.com. Have model and serial numbers handy when placing an order.

Manual Part Numbers:

- Operator's Manual 310-262M
- Parts Manual 310-069P

General Information

These assembly instructions apply to the Front Roller option listed below:

310-254S FRONT ROLLER ASSEMBLY

Tools required:

- Safety Glasses
- Work Gloves
- Two 3/4" wrenches
- Two 9/16" wrenches

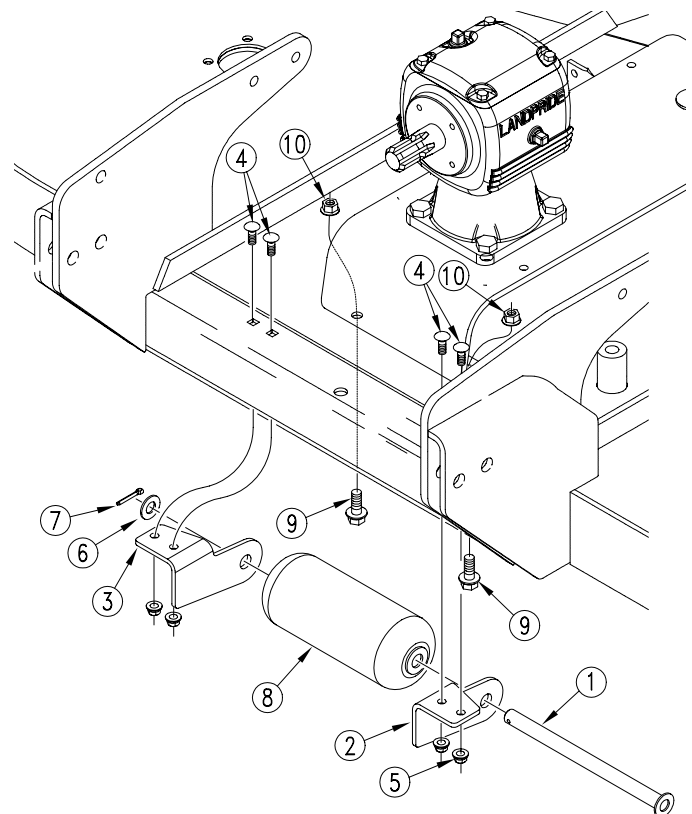
Assembly Instructions

A detailed listing of parts for each accessory kit is provided on page 2. Use the list that is for your grooming mower as a checklist to inventory parts received. Please contact your local Land Pride dealer for any missing hardware.

Front Roller Assembly

Refer to Figure 1:

1. Remove the front two 1/2"-13 x 1 1/2" GR5 hex flange serrated screws (#9) and reinsert from the bottom as shown. Secure with existing 1/2" whiz nuts (#10). Tighten nuts to 76 ft-lbs of torque.
2. Assemble brackets (#2) and (#3) to deck with carriage bolts (#4) and flange nuts (#5).
3. Insert roller (#8) between brackets and install pin (#1) through brackets and roller. Secure with washer (#6) and cotter pin (#7).



17713

**FDR2560, FDR2572 & FDR2572 Front Roller Assembly
Figure 1**

Listing of Parts

310-254S FRONT ROLLER ASSY*Your Kit Includes:*

Qty.	Part No.	Part Description
1	310-266H	WLDMT. ROLLER SHAFT
1	310-477D	FRONT ROLLER BRACKET RH.
1	310-478D	FRONT ROLLER BRACKET LH.
4	802-015C	RHSNB 3/8-16X1 GR5
4	803-198C	NUT HEX WHIZ 3/8-16 PLT
1	804-025C	WASHER FLAT 3/4 SAE PLT
1	805-016C	PIN COTTER 3/16 X 1 1/4 PLT
1	817-049C	4 X 10 ROLLER WHEEL



Corporate Office: P.O. Box 5060
Salina, Kansas 67402-5060 USA

www.landpride.com



Corporate Office: P.O. Box 5060
Salina, Kansas 67402-5060 USA
www.landpride.com

Free Manuals Download Website

<http://myh66.com>

<http://usermanuals.us>

<http://www.somanuals.com>

<http://www.4manuals.cc>

<http://www.manual-lib.com>

<http://www.404manual.com>

<http://www.luxmanual.com>

<http://aubethermostatmanual.com>

Golf course search by state

<http://golfingnear.com>

Email search by domain

<http://emailbydomain.com>

Auto manuals search

<http://auto.somanuals.com>

TV manuals search

<http://tv.somanuals.com>