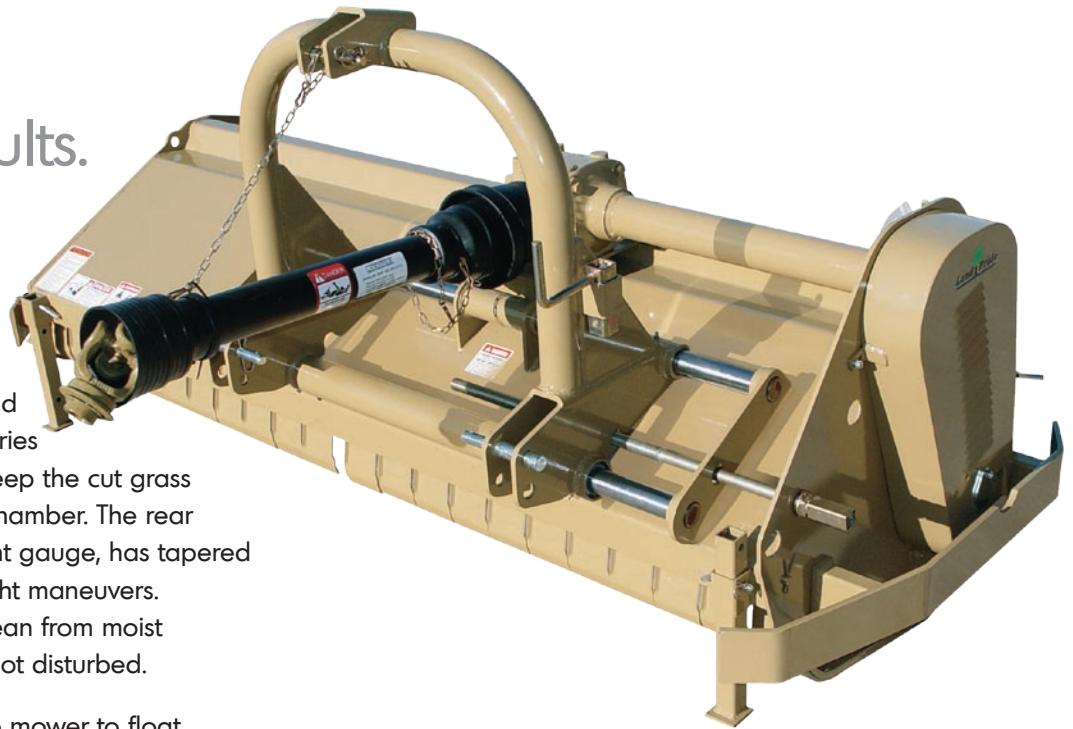


Tough machine offering fine results.

Our 31 Series Flail Mowers feature the same tough components as our 41 Series, but with blades offering a fine cut.

The perfect model for mowing around schools and municipalities, the 31 Series has a mostly enclosed structure to keep the cut grass and other debris within the cutting chamber. The rear roller, which acts as the cutting height gauge, has tapered ends to eliminate gouging during tight maneuvers. A formed scraper keeps the roller clean from moist grass and mud, so cutting height is not disturbed.

The slotted top hitch point allows the mower to float over undulations.



www.landpride.com

18

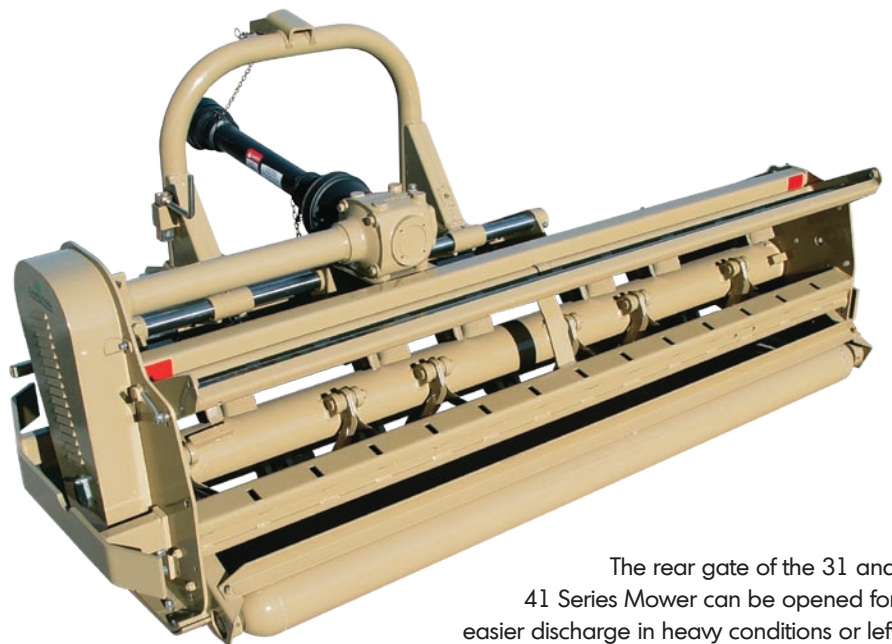
FM31 SERIES

35 - 80 HP — 88"

- 1" Cutting capacity
- 1/2" - 6" Cutting height
- Rear height adjusting roller with greaseable bearings and tapered ends to prevent gouging during turns
- Scraper on rear height adjusting roller
- Fine cut knives
- 5-1/2" Rotor diameter
- Reverse rotor rotation
- Cat. 4 driveline
- 3/16" Deck thickness
- Hitch offsets by nearly 8"
- Hinged rear gate allows opening for maximum dispersal of heavy clippings
- Replaceable skid shoes
- Fenders on both ends to protect trees
- Three 'C' section belts for a tight positive drive
- Gearbox with built-in over-running clutch allows rotor to free-wheel to a stop



The 31 Series Flail Mower offers a two blade system resulting in a fine cut.



The rear gate of the 31 and 41 Series Mower can be opened for easier discharge in heavy conditions or left closed for greater mulching capabilities.

Free Manuals Download Website

<http://myh66.com>

<http://usermanuals.us>

<http://www.somanuals.com>

<http://www.4manuals.cc>

<http://www.manual-lib.com>

<http://www.404manual.com>

<http://www.luxmanual.com>

<http://aubethermostatmanual.com>

Golf course search by state

<http://golfingnear.com>

Email search by domain

<http://emailbydomain.com>

Auto manuals search

<http://auto.somanuals.com>

TV manuals search

<http://tv.somanuals.com>