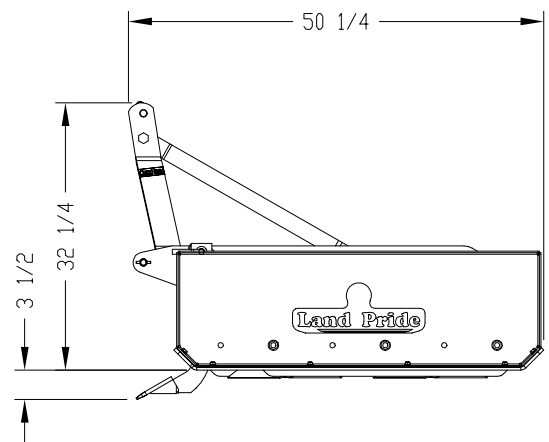
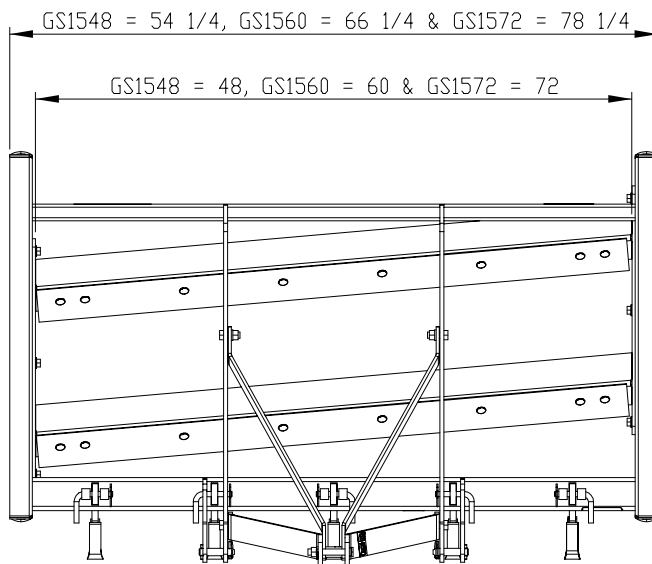


Grading Scrapers

GS15 Series

| Description | GS1548 | GS1560 | GS1572 |
|---|--|----------|----------|
| Working Width | 48" | 60" | 72" |
| Overall Width | 54 1/4" | 66 1/4" | 78 1/4" |
| Number of Scarifier Shanks | 4 | 4 | 5 |
| Tractor HP Requirement | 20-50 hp | 25-50 hp | 25-50 hp |
| Unit Weight with Shanks | 437 lbs. | 511 lbs. | 594 lbs. |
| Overall Length | 50" | | |
| Overall Height | 32" | | |
| Side Panel Height | 14" | | |
| Side Panel Length | 44" | | |
| Side Panel Thickness Tractor | 3/16" Thick with 2 3/4" formed edges. | | |
| Front Main Beam & Scarifier Support. | 4"x 4" x 5/16" Reinforced heavy wall tubing. | | |
| Rear Beam Construction | 2"x 2"x 3/16" Heavy wall tubing. | | |
| Skid Shoe Dimensions | 3/8" Thick x 2 3/4" wide x 44" long. | | |
| Scarifier Shank Construction - Optional | Heat treated 4-position shank with dimpled-on hardened tips. | | |
| Cutting Edges | Two 1/2" x 6" high carbon heat treated blades that are reversible and replaceable. | | |
| Cutting Edge Placement | Two parallel grading blades positioned at a 5 degree grading angle with 17 1/2" fore and aft spacing in between leading edges. | | |
| Cutting Edge Adjustment | Infinite vertical adjustment from level grade to 1 1/2" below grade. | | |
| Shank Adjustments | 3 1/2" and 1 1/2" below grade level. 1/2" and 2 1/2" above grade level. | | |
| Lower Draft Link Attachment | Clevis type | | |
| Hitch Type | Category 1 and Category 1 Quick Hitch | | |
| Color Selections | Land Pride beige or orange | | |



26758

Designs, specifications, features and information are subject to change without notice.

Free Manuals Download Website

<http://myh66.com>

<http://usermanuals.us>

<http://www.somanuals.com>

<http://www.4manuals.cc>

<http://www.manual-lib.com>

<http://www.404manual.com>

<http://www.luxmanual.com>

<http://aubethermostatmanual.com>

Golf course search by state

<http://golfingnear.com>

Email search by domain

<http://emailbydomain.com>

Auto manuals search

<http://auto.somanuals.com>

TV manuals search

<http://tv.somanuals.com>