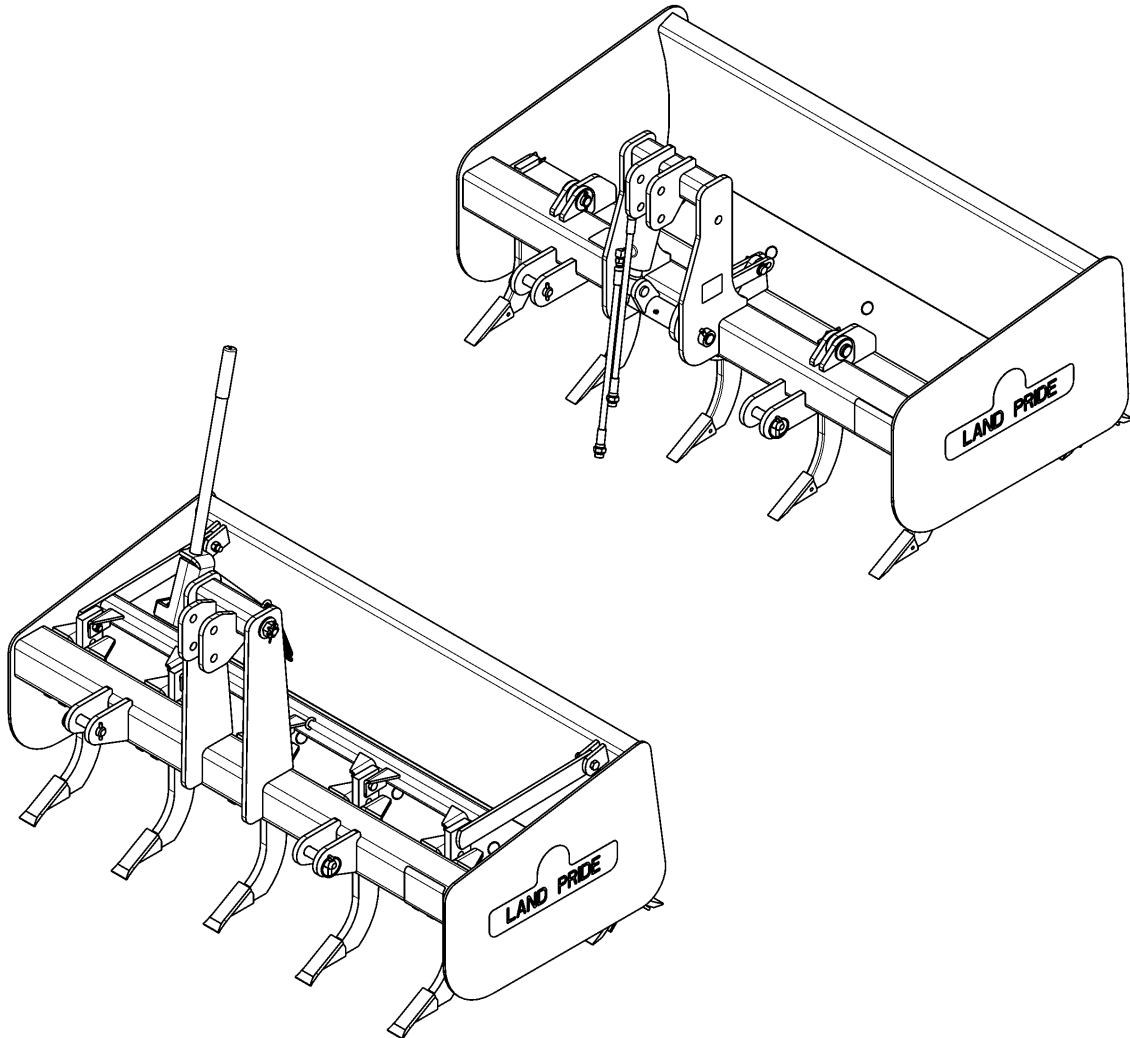


Box Scrapers

HR15, HR25 and MR15



23741

305-083P Parts Manual



Read the Operator's manual entirely. When you see this symbol, the subsequent instructions and warnings are serious - follow without exception. Your life and the lives of others depend on it!

© Copyright 2007 Printed 10/01/07

Cover photo may show optional equipment not supplied with standard unit.





Table of Contents

Section 1: Introduction.....4
Using This Manual.....4
Manual Replacement Information.....4
Manual Revisions.....4
Touch-up Paint.....4
Hardware Legend.....5
Replacement Hardware.....5
Serial Numbers.....5
Part Number Service Coding.....5

HR15 SERIES

Section 2: Hydraulic Retractable Box Scraper.....6
Complete Assembly.....6
Label Placement.....8

HR25 SERIES

Section 3: Hydraulic Retractable Box Scraper.....10
Complete Assembly.....10
Label Placement.....12

MR15 SERIES

Section 4: Manual Retractable Box Scraper.....14
Complete Assembly.....14
Label Placement.....16

Part Number Index.....18

© Copyright 2007. All rights reserved.

Land Pride provides this publication “as is” without warranty of any kind, either expressed or implied. While every precaution has been taken in the preparation of this manual, Land Pride assumes no responsibility for errors or omissions. Neither is any liability assumed for damages resulting from the use of the information contained herein. Land Pride reserves the right to revise and improve its products as it sees fit. This publication describes the state of this product at the time of its publication, and may not reflect the product in the future. The illustrations in this manual are not intended for safe and proper assembly or disassembly of equipment. The illustrations are intended for ordering parts only.

Land Pride is registered trademark.

All other brands and product names are trademarks or registered trademarks of their respective holders.

Printed in the United States of America.



Alphabetized Table of Contents

HR15 SERIES

C	Complete Assembly.....	6
L	Label Placement.....	8

HR25 SERIES

C	Complete Assembly.....	10
L	Label Placement.....	12

MR15 SERIES

C	Complete Assembly.....	14
L	Label Placement.....	16

General Information

Using This Manual

This manual is divided into sections. The first section contains General Information. The remaining sections divide the machine into segments (i.e. Frames, Drives, Hydraulics, etc.) which illustrate and list all parts. A Parts Number Index is located at the back of the book.

The Land Pride parts in this manual are specially designed for this machine and should be replaced with Land Pride parts only.

The information in this manual is current at time of printing. Some parts may change to assure top performance.

Right-hand and left-hand as used in this manual are determined by facing the direction the machine will travel while in use.

Below is an example of two facing pages from a parts manual. Familiarize yourself with the type of information contained on these pages.

Manual Replacement Information

Replacement manuals are available. Refer to our website at www.landpride.com, the Land Pride Support Center CD or e-mail us at lit@landpride.com for additional information. Our website continues to provide the most up-to-date manuals available.

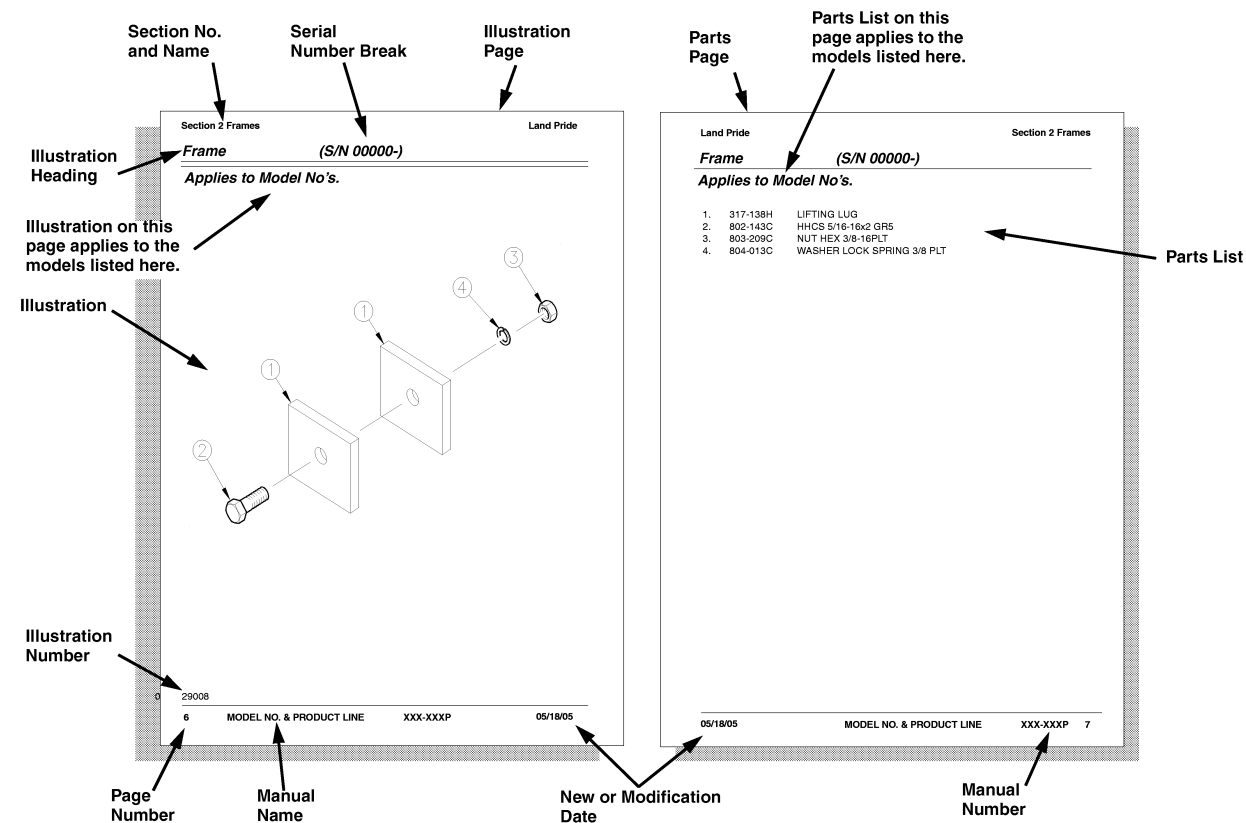
Touch-up Paint

Repaint parts where paint is worn or scratched to prevent rust. Aerosol cans and touch-up bottles with brush applicator are available through your local dealer. Land Pride color descriptions and part numbers are listed below. Also available are quart and gallon size paints. Add QT or GL to end of the Aerosol P/N.

Color	Product ¹	Aerosol	Touch-Up
Gloss Black	LP	821-032C	821-032CTU
Medium Gloss Black	UV	821-053C	821-053CTU
Beige	LP	821-011C	821-011CTU
Green	SLP	821-058C	821-058CTU
Orange	SLP	821-066C	821-066CTU
Red	SLP/UV	821-054C	821-054CTU
Blue	SLP/UV	821-067C	821-067CTU
Dark Green Sparkle	UV	821-055C	821-055CTU
Gondo Forest Green	UV	821-057C	821-057CTU
Brite Yellow ²	UV	821-056C	821-056CTU
Gondo Yellow ³	UV	821-059C	821-059CTU

Notes:

- 1 LP = All Land Pride Products except Utility Vehicles
SLP = Select Land Pride Products that are available in optional Green, Orange, Red, & Blue colors.
UV = Utility Vehicles
- 2 Used on Trekers and (Runabouts with S/N 407628-)
- 3 Used on Gondos and (Runabouts with S/N 407629+)



General Information

Hardware Legend

AR	As Required
BLADE	Blade Bolt
C	Cap Screw
CP	Cotter Pin
CPHSSS	Cup Point Hex Socket Set Screw
CPSHSS	Cup Point Square Head Set Screw
CPSQHSS	Cup Point Square Head Set Screw
CRFCHMS3	Cross Recess Flat Countersunk Head Machine Screw
CRPHMS	Cross Recess Pan Head Machine Screw
CRPHTFS	Cross Recess Pan Head Thread Forming
CRRHMS	Cross Recess Round Head Machine Screw
CRTHMS	Cross Recess Truss Head Machine Screw
CSNB	Countersunk Square Neck Bolt
FHMS	Flat Head Machine Screw
FTC	Full Thread Cap Screw
H	Hex Nut
HCLN	Hex Center Lock Nut
HFLCS	Hex Flange Lock Cap Screw
HFS	Hex Flange Screw
HFSLN	Hex Flange Serrated Lock Nut
HFSS	Hex Flange Serrated Screw
HHCS	Hex Head Cap Screw or Metric Bolt
HSBHCS	Hex Socket Button Head Cap Screw
HSFCHCS	Hex Socket Flat Countersunk Head Cap Screw
HSHCS	Hex Socket Head Cap Screw
HSSS	Hex Socket Head Screw
HTLN	Hex Top Lock Nut
HWHCS	Hex Washer Head Cap Screw

HWHMS	Hex Washer Head Machine Screw
HXBHCS	Hex Socket Button Head Cap Screw
J	Hex Jam Nut
JIC	37 Degree Tapered Thread
L	Helical Spring Lock Washer
LUG	Lug Bolt
NFC	National Fine Cap Screw
NPSM	National Pipe Straight Mechanical
NPTF	National Pipe Taper Fuel
P	Wide Plain Washer
PHMS	Pan Head Machine Screw
PLOW	Plow Bolt
RHMS	Round Head Machine Screw
RHSNB	Round Head Square Neck Bolt
SCREW LEVELING	Leveling Screw
SCREW THUMB	Thumb Screw
SCREW WELD	Weld Screw
SFCHMS	Slotted Flat Countersunk Head Machine Screw
SFHMS	Slotted Fillister Head Machine Screw
SP	Special
SP SCREW	Special Screw
SQHSS	Square Head Set Screw
SRHMS	Slotted Round Head Machine Screw
SSS	Socket Set Screw
STCS	Self Tapping Cap Screw
STHMS	Slotted Truss Head Machine Screw
WHEEL	Wheel Studs and Hub Long Bolts
WING	Wing Bolt

Replacement Hardware

The **Hardware Legend** above lists hardware abbreviations used in the parts list. All bolts and nuts are Grade 5 unless otherwise noted. The use of improper grades of hardware can result in personal injury, damage to equipment, or loss of property.

Colored Replacement Parts

Land Pride offers replacement parts in factory standard colors and also on select models in Green, Orange, Red and Blue. Because of the variety of colors available, special attention must be given to the part number to prevent ordering the wrong replacement part.

A suffix number corresponding to one of the colors below must be added at the end of Land Pride's part number when ordering a replacement part with that color.

81 **Green** **83** **Red**
82 **Orange** **84** **Blue**

For example, if you are ordering a replacement part with part number 555-555C and the part you need is red, then add the suffix 83 to the end of the number to make the part number read 555-555C83. Parts ordered without a suffix number will be supplied in factory standard colors.

Black Replacement Parts

Some parts are factory standard black and some must be special ordered black. If your part is special ordered black, a second part number with the additional suffix number 85 on the end will be available. In this situation you must order that part with the suffix number for it to be black. Parts that are factory standard black will not have the suffix number.

Part Number Service Coding

Within the parts list some part numbers are coded for revisions and interchangeability. See notations in revision column.

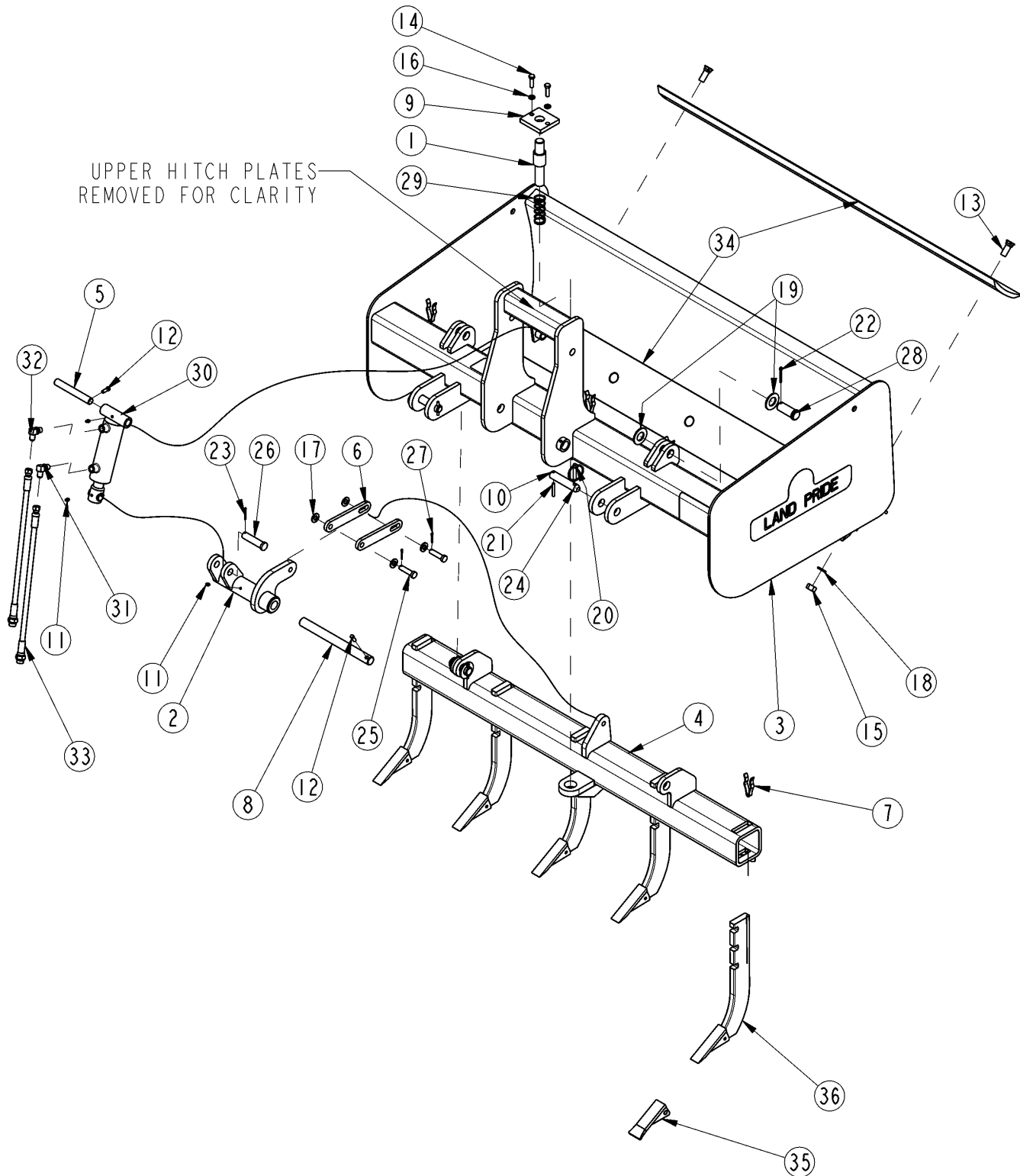
Serial Numbers

Always use the serial and model number when ordering parts. Refer to the Operator's Manual for serial number plate location.

- | | |
|----------------------|--|
| (S/N 20001+) | Includes serial numbers 20001 and above (to the latest number) |
| (S/N 10001 to 20000) | Includes serial numbers between and including 10001 and 20000 |
| (S/N 10000-) | Includes serial numbers 10000 and below (to the earliest number) |

Complete Assembly

Applies to HR1548, HR1554, HR1560



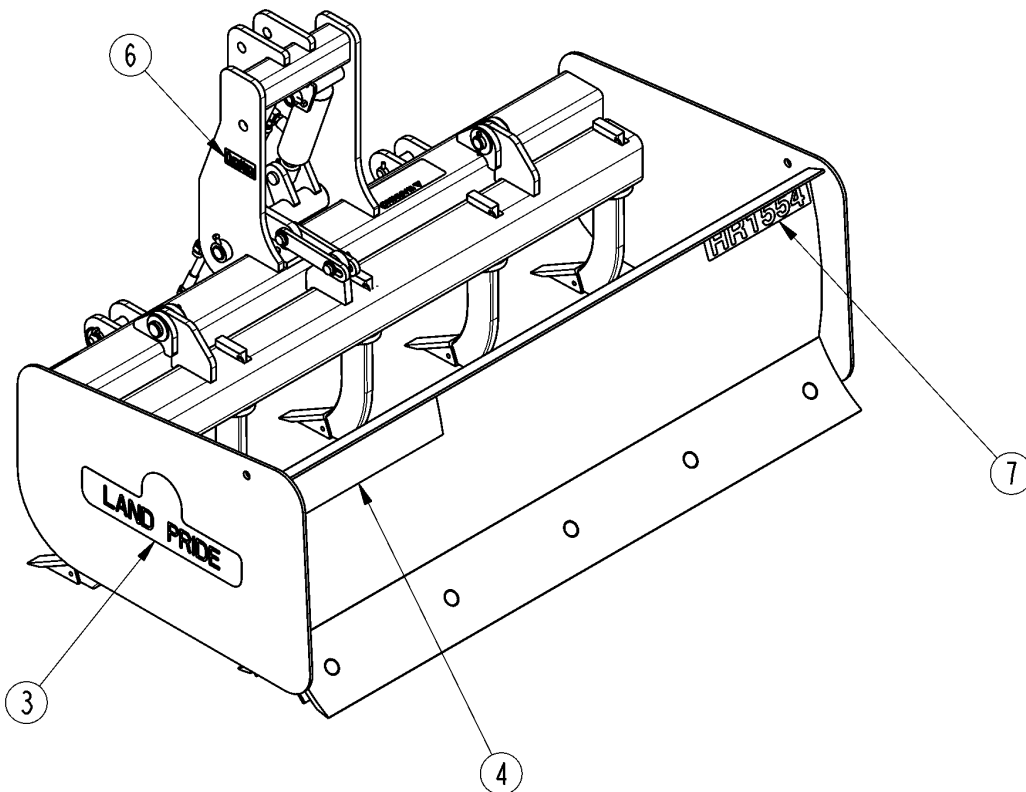
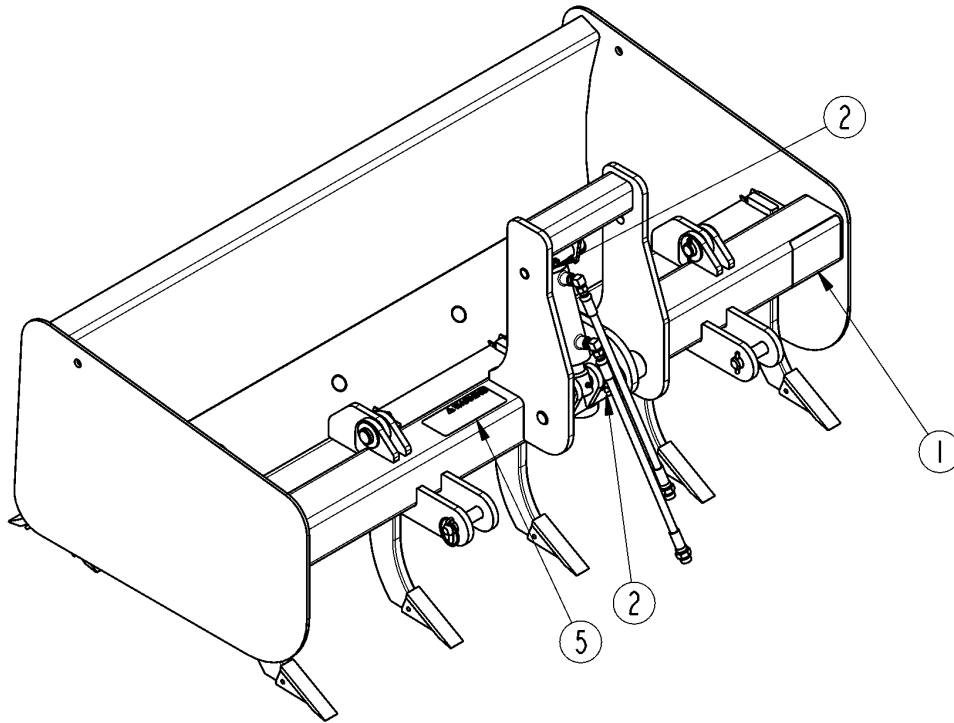
23729

Complete Assembly**Applies to HR1548, HR1554, HR1560**

Ref	Part No.	Part Description	Comments	Revision
	dwg23729	Drawing Image Number		
1.	305-084H	SPRING SHAFT W/ COLLAR		
2.	305-090H	PIVOT ARM ASSY		
2.	305-090H82	PIVOT ARM ASSY ORANGE		
3.	305-093H	FRAME WELDMENT - 54		
3.	305-093H82	FRAME WELDMENT - 54 ORANGE		
3.	305-094H	FRAME WELDMENT - 48		
3.	305-094H82	FRAME WELDMENT - 48 ORANGE		
3.	305-081HC	FRAME WELDMENT - 60		
3.	305-081HC82	FRAME WELDMENT - 60 ORANGE		
4.	305-096H	54 SHANK TUBE WELDMENT		
4.	305-096H82	54 SHANK TUBE WELDMENT ORANGE		
4.	305-097H	48 SHANK TUBE WELDMENT		
4.	305-097H82	48 SHANK TUBE WELDMENT ORANGE		
4.	305-091H	60 SHANK TUBE WELDMENT		
4.	305-091H82	60 SHANK TUBE WELDMENT ORANGE		
5.	305-098D	SHAFT CYLINDER PIVOT		
6.	305-105D	LIFT LINKAGE		
7.	305-111D	CLIP SHANK RETAINER		
8.	305-119D	SHAFT CYLINDER PIVOT		
9.	305-133D	PLATE LOCK PIN TOP		
9.	305-133D82	PLATE LOCK PIN TOP ORANGE		
10.	310-020S	LOWER HITCH PIN		
11.	800-001C	GREASE ZERK STRAIGHT 1/4-28		
12.	801-203C	SCREW SET SQ HD 5/16-18X3/4 P		
13.	802-206C	PLOW 5/8-11X1 3/4 GR5		
14.	802-294C	HHCS 3/8-24X1 1/4 GR5		
15.	803-021C	NUT HEX 5/8-11 PLT		
16.	804-013C	WASHER LOCK SPRING 3/8 PLT		
17.	804-016C	WASHER FLAT 1/2 SAE PLT		
18.	804-022C	WASHER LOCK SPRING 5/8 PLT		
19.	804-029C	WASHER FLAT 1 SAE		
20.	805-015C	PIN LINCH 5/16 X 1 3/4		
21.	805-041C	PIN ROLL 1/4X1 3/4		
22.	805-104C	PIN COTTER 3/16 X 1 1/2 PLT		
23.	805-109C	PIN COTTER 1/8 X 1 1/4 PLT		
24.	805-198C	PIN LOWER HITCH 7/8X3 1/16USBL		
25.	805-303C	PIN CLEVIS 1/2X1 49/64 USABLE		
26.	805-318C	PIN CLEVIS 3/4 X 2 49/64 USBL		
27.	805-363C	PIN COTTER 1/8 X 1		
28.	805-374C	PIN CLEVIS 1 X 2 1/16 USABLE		
29.	807-257C	SPRING COMP 1.234ODX.105WX3.25		
30.	810-552C	CYL 2.00X4X1 ROD		
31.	811-065C	EL 9/16MJIC 9/16MORB		
32.	811-337C	OREL 1/16 9/16MJIC 9/16MORB		
33.	811-772C	HH1/4R2 060 9/16FJIC 3/4MORB		
34.	820-040C	GRADER BLADE 1/2 X 6 X 53 1/2		
34.	820-039C	GRADER BLADE 1/2 X 6 X 47 1/2		
34.	820-041C	GRADER BLADE 1/2 X 6 X 59 1/2		
35.	820-153C	SHANK TIP DIMPLE-ON WIDE FLARE		
36.	820-344C	TRIPLE NOTCH SHANK		

Label Placement

Applies to HR1548, HR1554, HR1560



23730

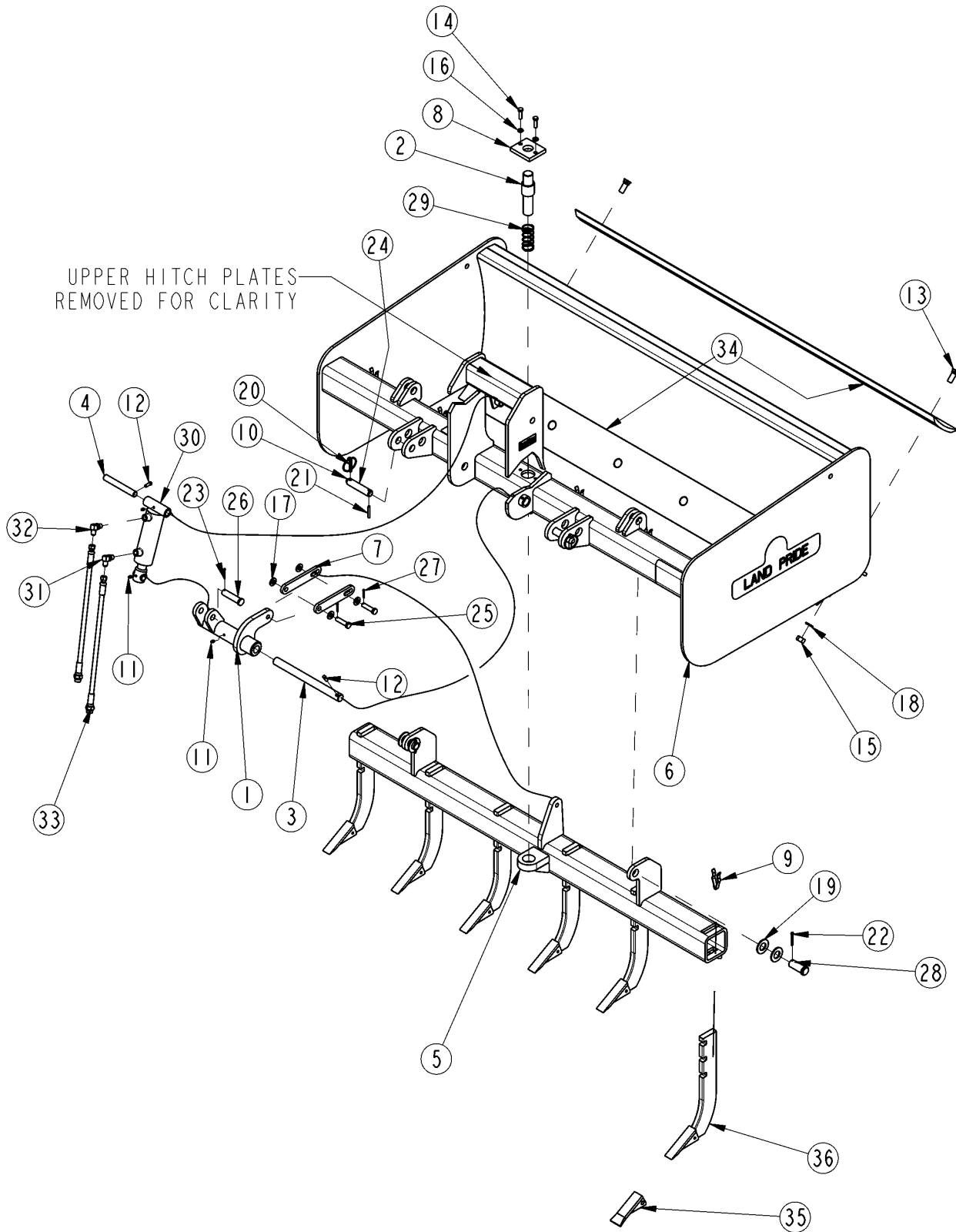
Label Placement

Applies to HR1548, HR1554, HR1560

Ref	Part No.	Part Description	Comments	Revision
	dwg23730	Drawing Image Number		
	305-111A	HR1548 DECAL PACKAGE		
	305-113A	HR1554 DECAL PACKAGE		
	305-115A	HR1560 DECAL PACKAGE		
1.	818-267C	DECAL CAUTION - BOX SCRAPER		
2.	818-298C	DECAL GREASE 25HRS BLACK/WHITE		
3.	818-894C	DECAL LP W/TREE 16" - 3 COLOR	Black Unit	
3.	838-964C	DECAL LP 16" W/TREE BROWN/GOLD	Beige Unit	
4.	818-902C	DECAL LANDPRIDE 16" - BIEGE	Black Unit	
4.	838-965C	DECAL LANDPRIDE 16" BROWN/GOLD	Beige Unit	
5.	838-094C	DECAL WARNING HYD PRESS LONG		
6.	838-517C	DECAL QUICK HITCH SYSTEM		
7.	838-805C	DECAL HR1554-BEIGE	Black Unit	
7.	848-218C	DECAL HR1554-GOLD	Beige Unit	
7.	838-804C	DECAL HR1548-BEIGE	Black Unit	
7.	848-217C	DECAL HR1548-GOLD	Beige Unit	
7.	838-806C	DECAL HR1560-BEIGE	Black Unit	
7.	848-219C	DECAL HR1560-GOLD	Beige Unit	

Complete Assembly

Applies to HR2560, HR2566, HR2572



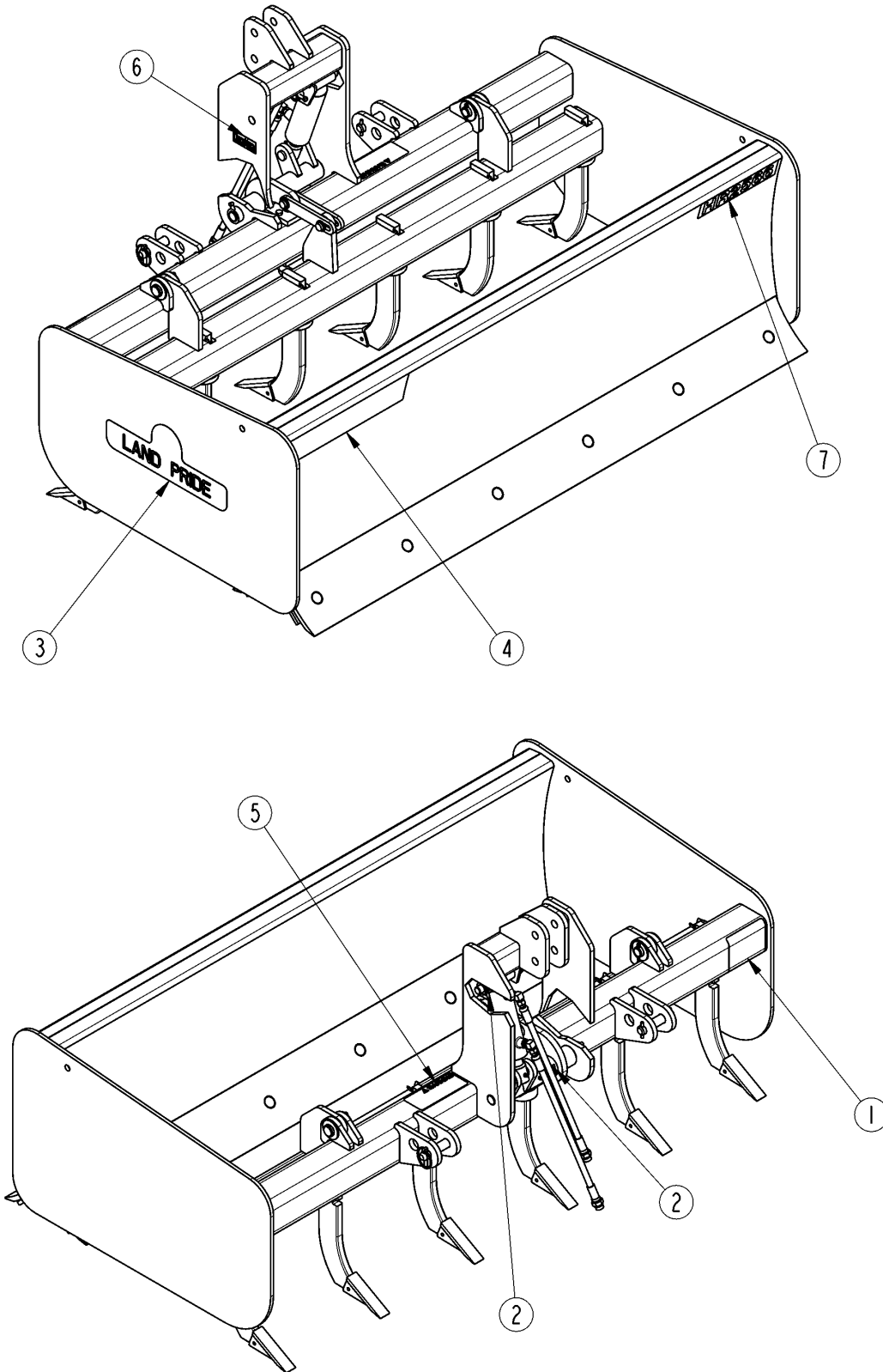
23731

Complete Assembly**Applies to HR2560, HR2566, HR2572**

Ref	Part No.	Part Description	Comments	Revision
	dwg23731	Drawing Image Number		
1.	305-087H	PIVOT ARM ASSY		
1.	305-087H82	PIVOT ARM ASSY ORANGE		
2.	305-088H	SPRING SHAFT W/ COLLAR		
3.	305-092D	SHANK TUBE PIVOT SHAFT		
4.	305-098D	SHAFT CYLINDER PIVOT		
5.	305-101H	66 SHANK TUBE WELDMENT		
5.	305-101H82	66 SHANK TUBE WELDMENT ORANGE		
5.	305-086H	60 SHANK TUBE WLDMT		
5.	305-086H82	60 SHANK TUBE WLDMT ORANGE		
5.	305-100H	72 SHANK TUBE WELDMENT		
5.	305-100H82	72 SHANK TUBE WELDMENT ORANGE		
6.	305-102H	FRAME WELDMENT - 66		
6.	305-102H82	FRAME WELDMENT - 66 ORANGE		
6.	305-082H	FRAME WELDMENT - 60		
6.	305-082H82	FRAME WELDMENT - 60 ORANGE		
6.	305-103H	FRAME WELDMENT - 72		
6.	305-103H82	FRAME WELDMENT - 72 ORANGE		
7.	305-105D	LIFT LINKAGE		
8.	305-106D	PLATE LOCK PIN TOP		
8.	305-106D82	PLATE LOCK PIN TOP ORANGE		
9.	305-111D	CLIP SHANK RETAINER		
10.	310-020S	LOWER HITCH PIN		
11.	800-001C	GREASE ZERK STRAIGHT 1/4-28		
12.	801-203C	SCREW SET SQ HD 5/16-18X3/4 P		
13.	802-206C	PLOW 5/8-11X1 3/4 GR5		
14.	802-294C	HHCS 3/8-24X1 1/4 GR5		
15.	803-021C	NUT HEX 5/8-11 PLT		
16.	804-013C	WASHER LOCK SPRING 3/8 PLT		
17.	804-016C	WASHER FLAT 1/2 SAE PLT		
18.	804-022C	WASHER LOCK SPRING 5/8 PLT		
19.	804-029C	WASHER FLAT 1 SAE		
20.	805-015C	PIN LINCH 5/16 X 1 3/4		
21.	805-041C	PIN ROLL 1/4X1 3/4		
22.	805-104C	PIN COTTER 3/16 X 1 1/2 PLT		
23.	805-109C	PIN COTTER 1/8 X 1 1/4 PLT		
24.	805-198C	PIN LOWER HITCH 7/8X3 1/16USBL		
25.	805-303C	PIN CLEVIS 1/2X1 49/64 USABLE		
26.	805-318C	PIN CLEVIS 3/4 X 2 49/64 USBL		
27.	805-363C	PIN COTTER 1/8 X 1		
28.	805-374C	PIN CLEVIS 1 X 2 1/16 USABLE		
29.	807-248C	SPRING COMP 1.484ODX.105WX3.25		
30.	810-552C	CYL 2.00X4X1 ROD		
31.	811-065C	EL 9/16MJIC 9/16MORB		
32.	811-337C	OREL 1/16 9/16MJIC 9/16MORB		
33.	811-772C	HH1/4R2 060 9/16FJIC 3/4MORB		
34.	820-042C	GRADER BLADE 1/2 X 6 X 65 1/2		
34.	820-041C	GRADER BLADE 1/2 X 6 X 59 1/2		
34.	820-043C	GRADER BLADE 1/2 X 6 X 71 1/2		
35.	820-153C	SHANK TIP DIMPLE-ON WIDE FLARE		
36.	820-344C	TRIPLE NOTCH SHANK		

Label Placement

Applies to HR2560, HR2566, HR2572



23733

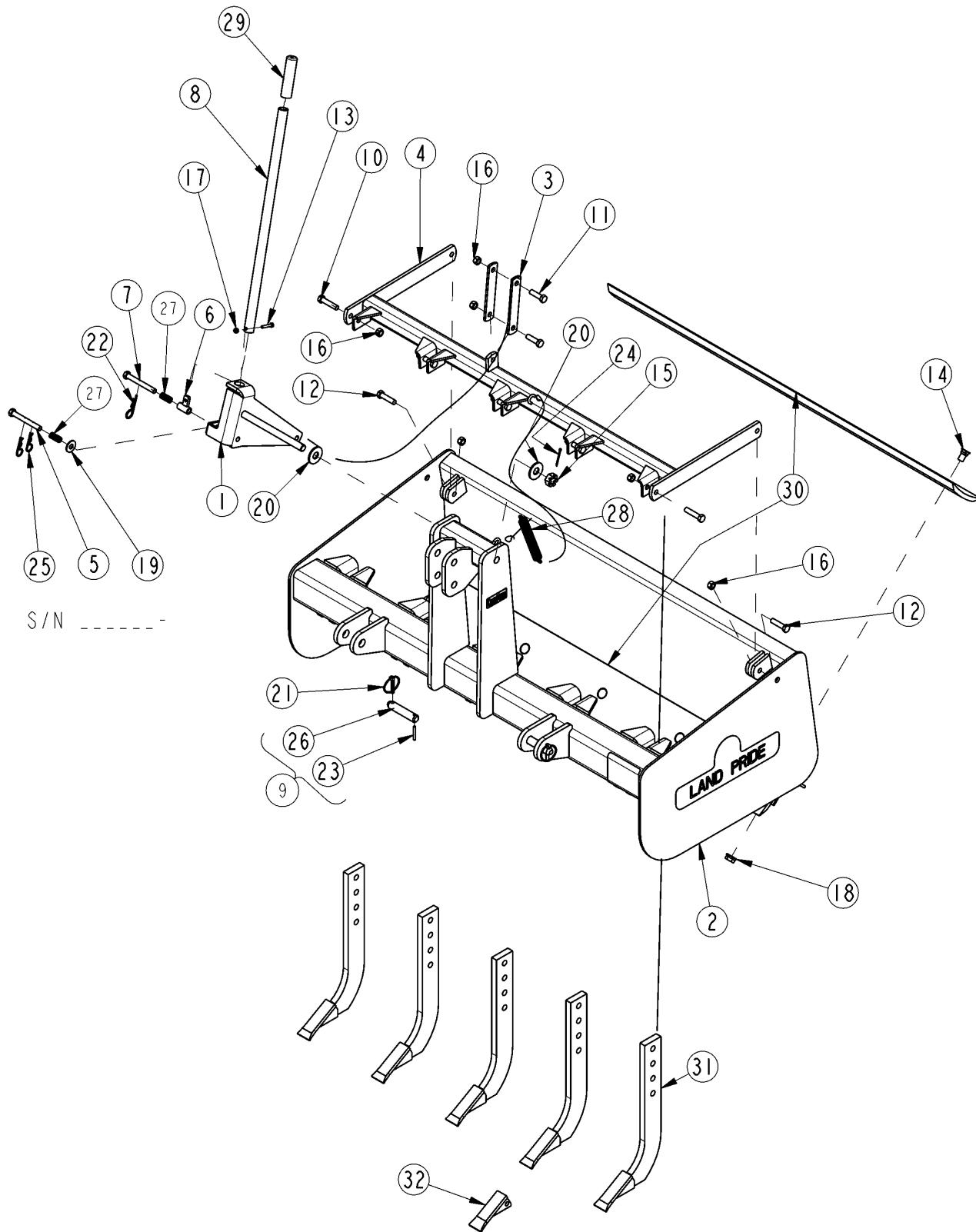
Label Placement

Applies to HR2560, HR2566, HR2572

Ref	Part No.	Part Description	Comments	Revision
	dwg23733	Drawing Image Number		
	305-118A	HR2560 DECAL PACKAGE		
	305-119A	HR2566 DECAL PACKAGE		
	305-120A	HR2572 DECAL PACKAGE		
1.	818-267C	DECAL CAUTION - BOX SCRAPER		
2.	818-298C	DECAL GREASE 25HRS BLACK/WHITE		
3.	818-894C	DECAL LP W/TREE 16" - 3 COLOR	Black Unit	
3.	838-964C	DECAL LP 16" W/TREE BROWN/GOLD	Orange Unit	
4.	818-902C	DECAL LANDPRIDE 16" - BIEGE	Black Unit	
4.	838-965C	DECAL LANDPRIDE 16" BROWN/GOLD	Orange Unit	
5.	838-094C	DECAL WARNING HYD PRESS LONG		
6.	838-517C	DECAL QUICK HITCH SYSTEM		
7.	838-808C	DECAL HR2566-BEIGE	Black Unit	
7.	848-221C	DECAL HR2566-GOLD	Orange Unit	
7.	838-807C	DECAL HR2560-BEIGE	Black Unit	
7.	848-220C	DECAL HR2560-GOLD	Orange Unit	
7.	838-809C	DECAL HR2572-BEIGE	Black Unit	
7.	848-222C	DECAL HR2572-GOLD	Orange Unit	

Complete Assembly

Applies to MR1548, MR1554, MR1560, MR1572



23735

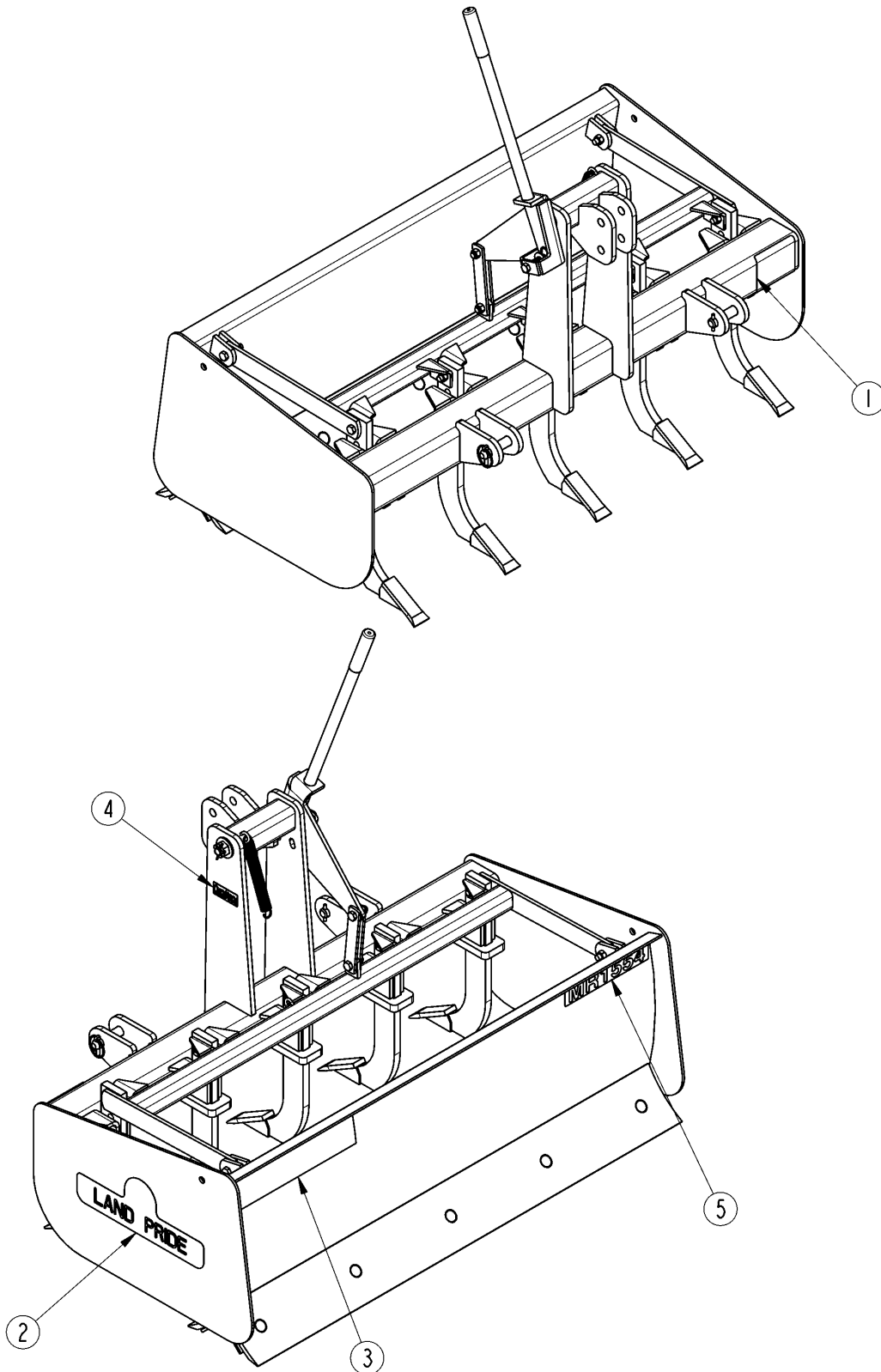
Complete Assembly

Applies to MR1548, MR1554, MR1560, MR1572

Ref	Part No.	Part Description	Comments	Revision
	dwg23735	Drawing Image Number		
1.	306-043H	RETRACT PIN WELDMENT		
1.	306-043H82	RETRACT PIN WELDMENT ORANGE		
2.	306-047H	FRAME WELDMENT - 54		
2.	306-047H82	FRAME WELDMENT - 54 ORANGE		
2.	306-046H	FRAME WELDMENT - 48		
2.	306-046H82	FRAME WELDMENT - 48 ORANGE		
2.	306-041H	FRAME WELDMENT - 60		
2.	306-041H82	FRAME WELDMENT - 60 ORANGE		
2.	306-049H	FRAME WELDMENT - 72		
2.	306-049H82	FRAME WELDMENT - 72 ORANGE		
3.	306-050D	BAR, LINK		
3.	306-050D82	BAR, LINK ORANGE		
4.	306-052H	SHANK WELDMENT - 54		
4.	306-052H82	SHANK WELDMENT - 54 ORANGE		
4.	306-051H	SHANK WELDMENT - 48		
4.	306-051H82	SHANK WELDMENT - 48 ORANGE		
4.	306-039H	SHANK WELDMENT - 60		
4.	306-039H82	SHANK WELDMENT - 60 ORANGE		
4.	306-054H	SHANK WELDMENT - 72		
4.	306-054H82	SHANK WELDMENT - 72 ORANGE		
5.	306-056D	RETRACT PIN	S/N 555639-	
6.	306-082H	PIN TUBE	S/N 555640+	
6.	306-082H82	PIN TUBE ORANGE		
7.	306-085D	RETRACT PIN - LONG	S/N _____ +	
7.	306-083D	RETRACT PIN	S/N 555640 to _____	
8.	306-084D	RETRACTABLE HANDLE	S/N 555640+	
8.	306-084D82	RETRACTABLE HANDLE ORANGE		
8.	306-053D	RETRACTABLE HANDLE	S/N 555639-	
9.	310-020S	LOWER HITCH PIN		
10.	802-038C	HHCS 1/2-13X2 1/4 GR5		
11.	802-082C	HHCS 1/2-13X1 3/4 GR5		
12.	802-128C	HHCS 1/2-13X2 GR5		
13.	802-167C	HHCS 1/4-20X1 1/2 GR5	S/N 555640+	
14.	802-813C	PLOW 5/8-11X1 1/4 GR5		
15.	803-053C	NUT HEX SLOTTED 3/4-16		
16.	803-147C	NUT HEX NYLOCK 1/2-13		
17.	803-255C	NUT HEX NYLOCK 1/4-20	S/N 555640+	
18.	803-263C	NUT HEX FLANGE LOCK 5/8-11 PLT		
19.	804-017C	WASHER FLAT 1/2 USS PLT	S/N 555639-	
20.	804-024C	WASHER FLAT 3/4 USS PLT		
21.	805-015C	PIN LINCH 5/16 X 1 3/4		
22.	805-032C	PIN HAIR COTTER .148 WIRE	S/N 555640+	
23.	805-041C	PIN ROLL 1/4X1 3/4		
24.	805-096C	PIN COTTER 1/8 X 1 3/4 PLT		
25.	805-143C	PIN HAIR COTTER .120 PLT	S/N 555639-	
26.	805-198C	PIN LOWER HITCH 7/8X3 1/16USBL		
27.	807-252C	SPRING COM .625ODX.054WX2 3/4		
28.	807-253C	SPRING EXT .953ODX.121X7.875		
29.	817-632C	GRIP HANDLE VNYL 1.0 IDX4.5 LG		
30.	820-040C	GRADER BLADE 1/2 X 6 X 53 1/2		
30.	820-039C	GRADER BLADE 1/2 X 6 X 47 1/2		
30.	820-041C	GRADER BLADE 1/2 X 6 X 59 1/2		
30.	820-043C	GRADER BLADE 1/2 X 6 X 71 1/2		
31.	820-152C	SCARIFIER SHANK - 18 W/TIP		
32.	820-153C	SHANK TIP DIMPLE-ON WIDE FLARE		

Label Placement

Applies to MR1548, MR1554, MR1560, MR1572



23736

Label Placement

Applies to MR1548, MR1554, MR1560, MR1572

Ref	Part No.	Part Description	Comments	Revision
	dwg23736	Drawing Image Number		
	306-071A	MR1548 DECAL PACKAGE		
	306-072A	MR1554 DECAL PACKABE		
	306-073A	MR1560 DECAL PACKAGE		
	306-074A	MR1572 DECAL PACKAGE		
1.	818-267C	DECAL CAUTION - BOX SCRAPER		
2.	818-894C	DECAL LP W/TREE 16" - 3 COLOR	Black Unit	
2.	838-964C	DECAL LP 16" W/TREE BROWN/GOLD	Orange Unit	
3.	818-902C	DECAL LANDPRIDE 16" - BIEGE	Black Unit	
3.	838-965C	DECAL LANDPRIDE 16" BROWN/GOLD	Orange Unit	
4.	838-517C	DECAL QUICK HITCH SYSTEM		
5.	838-798C	DECAL MR1554-BEIGE	Black Unit	
5.	848-214C	DECAL MR1554-GOLD	Orange Unit	
5.	838-797C	DECAL MR1548-BEIGE	Black Unit	
5.	848-213C	DECAL MR1548-GOLD	Orange Unit	
5.	838-799C	DECAL MR1560-BEIGE	Black Unit	
5.	848-215C	DECAL MR1560-GOLD	Orange Unit	
5.	838-801C	DECAL MR1572-BEIGE	Black Unit	
5.	848-216C	DECAL MR1572-GOLD	Orange Unit	



Part Number Index

The Part Number Index is a numeric index of all part numbers included in this manual. The index shows what page(s) the part is used on.

Part Number	Page	Part Number	Page	Part Number	Page
305-081HC	7	306-074A	17	838-807C	13
305-081HC82	7	306-082H	15	838-808C	13
305-082H	11	306-082H82	15	838-809C	13
305-082H82	11	306-083D	15	838-964C	9, 13, 17
305-084H	7	306-084D	15	838-965C	9, 13, 17
305-086H	11	306-084D82	15	848-213C	17
305-086H82	11	306-085D	15	848-214C	17
305-087H	11	310-020S	7, 11, 15	848-215C	17
305-087H82	11	800-001C	7, 11	848-216C	17
305-088H	11	801-203C	7, 11	848-217C	9
305-090H	7	802-038C	15	848-218C	9
305-090H82	7	802-082C	15	848-219C	9
305-091H	7	802-128C	15	848-220C	13
305-091H82	7	802-167C	15	848-221C	13
305-092D	11	802-206C	7, 11	848-222C	13
305-093H	7	802-294C	7, 11	dwg23729	7
305-093H82	7	802-813C	15	dwg23730	9
305-094H	7	803-021C	7, 11	dwg23731	11
305-094H82	7	803-053C	15	dwg23733	13
305-096H	7	803-147C	15	dwg23735	15
305-096H82	7	803-255C	15	dwg23736	17
305-097H	7	803-263C	15		
305-097H82	7	804-013C	7, 11		
305-098D	7, 11	804-016C	7, 11		
305-100H	11	804-017C	15		
305-100H82	11	804-022C	7, 11		
305-101H	11	804-024C	15		
305-101H82	11	804-029C	7, 11		
305-102H	11	805-015C	7, 11, 15		
305-102H82	11	805-032C	15		
305-103H	11	805-041C	7, 11, 15		
305-103H82	11	805-096C	15		
305-105D	7, 11	805-104C	7, 11		
305-106D	11	805-109C	7, 11		
305-106D82	11	805-143C	15		
305-111A	9	805-198C	7, 11, 15		
305-111D	7, 11	805-303C	7, 11		
305-113A	9	805-318C	7, 11		
305-115A	9	805-363C	7, 11		
305-118A	13	805-374C	7, 11		
305-119A	13	807-248C	11		
305-119D	7	807-252C	15		
305-120A	13	807-253C	15		
305-133D	7	807-257C	7		
305-133D82	7	810-552C	7, 11		
306-039H	15	811-065C	7, 11		
306-039H82	15	811-337C	7, 11		
306-041H	15	811-772C	7, 11		
306-041H82	15	817-632C	15		
306-043H	15	818-267C	9, 13, 17		
306-043H82	15	818-298C	9, 13		
306-046H	15	818-894C	9, 13, 17		
306-046H82	15	818-902C	9, 13, 17		
306-047H	15	820-039C	7, 15		
306-047H82	15	820-040C	7, 15		
306-049H	15	820-041C	7, 11, 15		
306-049H82	15	820-042C	11		
306-050D	15	820-043C	11, 15		
306-050D82	15	820-152C	15		
306-051H	15	820-153C	7, 11, 15		
306-051H82	15	820-344C	7, 11		
306-052H	15	838-094C	9, 13		
306-052H82	15	838-517C	9, 13, 17		
306-053D	15	838-797C	17		
306-054H	15	838-798C	17		
306-054H82	15	838-799C	17		
306-056D	15	838-801C	17		
306-071A	17	838-804C	9		
306-072A	17	838-805C	9		
306-073A	17	838-806C	9		

This Page Intentionally Left Blank



Great Plains Manufacturing, Inc.

Corporate Office: P.O. Box 5060
Salina, Kansas 67402-5060 USA

www.landpride.com

Free Manuals Download Website

<http://myh66.com>

<http://usermanuals.us>

<http://www.somanuals.com>

<http://www.4manuals.cc>

<http://www.manual-lib.com>

<http://www.404manual.com>

<http://www.luxmanual.com>

<http://aubethermostatmanual.com>

Golf course search by state

<http://golfingnear.com>

Email search by domain

<http://emailbydomain.com>

Auto manuals search

<http://auto.somanuals.com>

TV manuals search

<http://tv.somanuals.com>