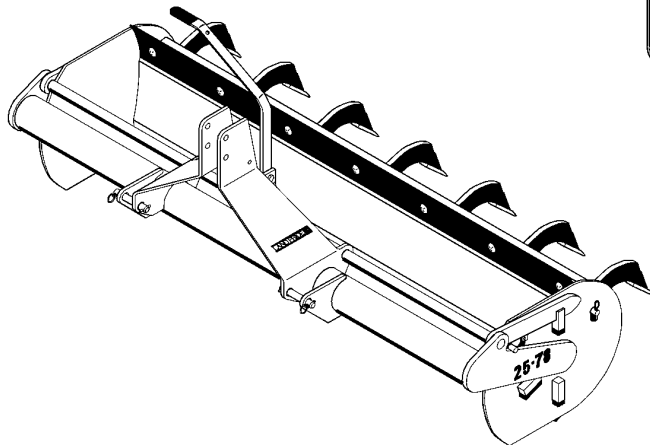
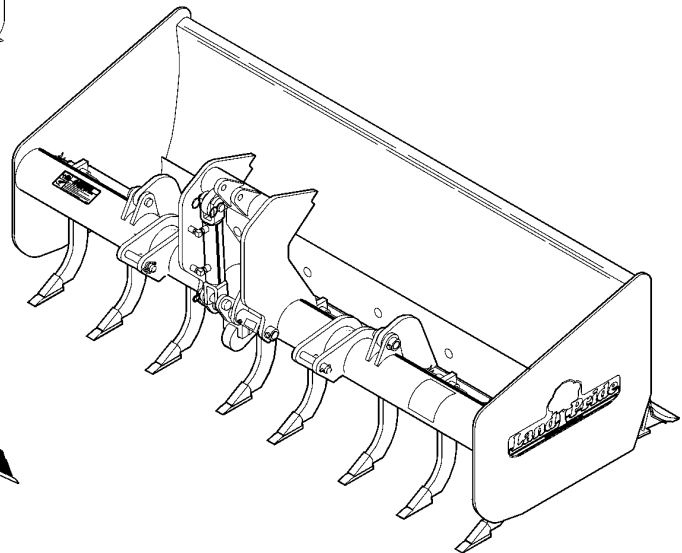
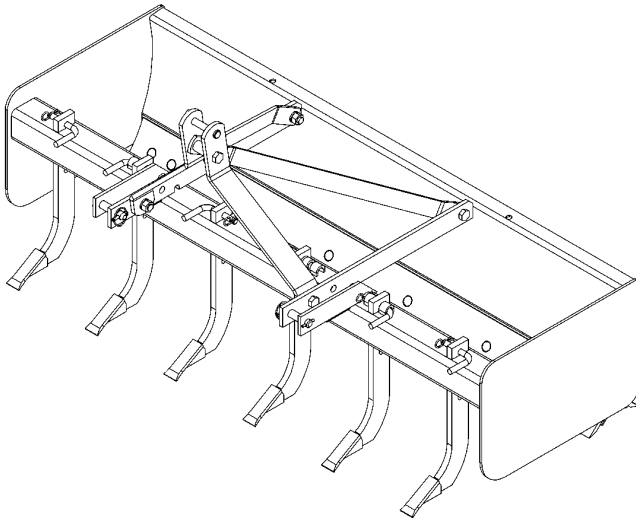


Box Scrapers

BB15, BB25, MR35, MRL35, HR35, HRL35 & RO25



26546

303-082P
Parts Manual



Read the Operator's manual entirely. When you see this symbol, the subsequent instructions and warnings are serious - follow without exception. Your life and the lives of others depend on it!

© Copyright 2008 Printed 05/02/08

Cover photo may show optional equipment not supplied with standard unit.





Table of Contents

Section 1: Introduction.....4
Using This Manual.....4
Manual Replacement Information.....4
Manual Revisions.....4
Touch-up Paint.....4
Hardware Legend.....5
Replacement Hardware.....5
Serial Numbers.....5
Part Number Service Coding.....5

BB15 & BB25 SERIES

Complete Assembly.....6
Fixed Bar Box Scrapers.....6
Fixed Bar Scraper.....10
Label Placement.....14
Rear Hinge And Rear Grader Blade.....18

HR(L)35 SERIES

Complete Assembly.....22
Hydraulic Cylinder Double Acting (810-125C) Red Lion...22
Hydraulic Cylinder Double Acting EGY (810-125C).....24
Hydraulic Retractable Box Scraper.....26
Label Placement.....30

MR(L)35 SERIES

Complete Assembly.....33
Label Placement.....34
Manual Retractable Box Scraper.....38

RO25 SERIES

Complete Assembly.....41
Label Placement.....42
Rollover Box Scraper.....44

Part Number Index.....46

© Copyright 2008. All rights reserved.

Land Pride provides this publication “as is” without warranty of any kind, either expressed or implied. While every precaution has been taken in the preparation of this manual, Land Pride assumes no responsibility for errors or omissions. Neither is any liability assumed for damages resulting from the use of the information contained herein. Land Pride reserves the right to revise and improve its products as it sees fit. This publication describes the state of this product at the time of its publication, and may not reflect the product in the future. The illustrations in this manual are not intended for safe and proper assembly or disassembly of equipment. The illustrations are intended for ordering parts only.

Land Pride is registered trademark.

All other brands and product names are trademarks or registered trademarks of their respective holders.

Printed in the United States of America.



Alphabetized Table of Contents

BB15 & BB25 SERIES

F

Fixed Bar Box Scrapers.....	6
Fixed Bar Scraper.....	10

L

Label Placement.....	14
----------------------	----

R

Rear Hinge And Rear Grader Blade.....	18
---------------------------------------	----

HR(L)35 SERIES

H

Hydraulic Cylinder Double Acting (810-125C) Red Lion.....	22
Hydraulic Cylinder Double Acting EGY (810-125C).....	24
Hydraulic Retractable Box Scraper.....	26

L

Label Placement.....	30
----------------------	----

MR(L)35 SERIES

L

Label Placement.....	34
----------------------	----

M

Manual Retractable Box Scraper.....	38
-------------------------------------	----

RO25 SERIES

L

Label Placement.....	42
----------------------	----

R

Rollover Box Scraper.....	44
---------------------------	----

General Information

Using This Manual

This manual is divided into sections. The first section contains General Information. The remaining sections divide the machine into segments (i.e. Frames, Drives, Hydraulics, etc.) which illustrate and list all parts. A Parts Number Index is located at the back of the book.

The Land Pride parts in this manual are specially designed for this machine and should be replaced with Land Pride parts only.

The information in this manual is current at time of printing. Some parts may change to assure top performance.

Right-hand and left-hand as used in this manual are determined by facing the direction the machine will travel while in use.

Below is an example of two facing pages from a parts manual. Familiarize yourself with the type of information contained on these pages.

Manual Replacement Information

Replacement manuals are available. Refer to our website at www.landpride.com, the Land Pride Support Center CD or e-mail us at lit@landpride.com for additional information. Our website continues to provide the most up-to-date manuals available.

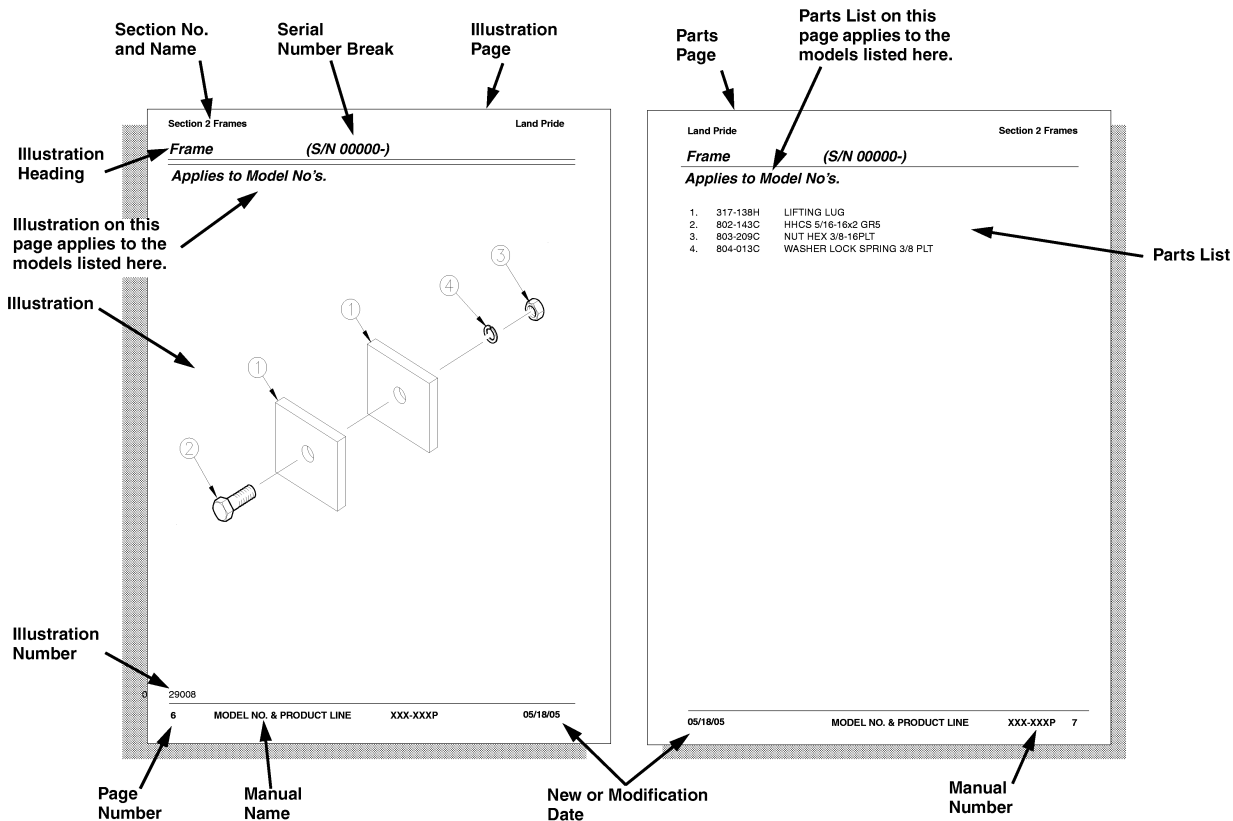
Touch-up Paint

Repaint parts where paint is worn or scratched to prevent rust. Aerosol cans and touch-up bottles with brush applicator are available through your local dealer. Land Pride color descriptions and part numbers are listed below. Also available are quart and gallon size paints. Add QT or GL to end of the Aerosol P/N.

Color	Product ¹	Aerosol	Touch-Up
Gloss Black	LP	821-032C	821-032CTU
Medium Gloss Black	UV	821-053C	821-053CTU
Beige	LP	821-011C	821-011CTU
Green	SLP	821-058C	821-058CTU
Orange	SLP	821-066C	821-066CTU
Red	SLP/UV	821-054C	821-054CTU
Blue	SLP/UV	821-067C	821-067CTU
Dark Green Sparkle	UV	821-055C	821-055CTU
Gondo Forest Green	UV	821-057C	821-057CTU
Brite Yellow ²	UV	821-056C	821-056CTU
Gondo Yellow ³	UV	821-059C	821-059CTU

Notes:

- 1 LP = All Land Pride Products except Utility Vehicles
SLP = Select Land Pride Products that are available in optional Green, Orange, Red, & Blue colors.
UV = Utility Vehicles
- 2 Used on Trekers and (Runabouts with S/N 407628-)
- 3 Used on Gondos and (Runabouts with S/N 407629+)



General Information

Hardware Legend

AR	As Required
BLADE	Blade Bolt
C	Cap Screw
CP	Cotter Pin
CPHSSS	Cup Point Hex Socket Set Screw
CPSHSS	Cup Point Square Head Set Screw
CPSQHSS	Cup Point Square Head Set Screw
CRFCHMS3	Cross Recess Flat Countersunk Head Machine Screw
CRPHMS	Cross Recess Pan Head Machine Screw
CRPHTF	Cross Recess Pan Head Thread Forming
CRRHMS	Cross Recess Round Head Machine Screw
CRTHMS	Cross Recess Truss Head Machine Screw
CSNB	Countersunk Square Neck Bolt
FHMS	Flat Head Machine Screw
FTC	Full Thread Cap Screw
H	Hex Nut
HCLN	Hex Center Lock Nut
HFLCS	Hex Flange Lock Cap Screw
HFS	Hex Flange Screw
HFSLN	Hex Flange Serrated Lock Nut
HFSS	Hex Flange Serrated Screw
HHCS	Hex Head Cap Screw or Metric Bolt
HSBHCS	Hex Socket Button Head Cap Screw
HSFCHCS	Hex Socket Flat Countersunk Head Cap Screw
HSHCS	Hex Socket Head Cap Screw
HSSS	Hex Socket Head Screw
HTLN	Hex Top Lock Nut
HWHCS	Hex Washer Head Cap Screw

HWHMS	Hex Washer Head Machine Screw
HXBHCS	Hex Socket Button Head Cap Screw
J	Hex Jam Nut
JIC	37 Degree Tapered Thread
L	Helical Spring Lock Washer
LUG	Lug Bolt
NFC	National Fine Cap Screw
NPSM	National Pipe Straight Mechanical
NPTF	National Pipe Taper Fuel
P	Wide Plain Washer
PHMS	Pan Head Machine Screw
PLOW	Plow Bolt
RHMS	Round Head Machine Screw
RHSNB	Round Head Square Neck Bolt
SCREW LEVELING	Leveling Screw
SCREW THUMB	Thumb Screw
SCREW WELD	Weld Screw
SFCHMS	Slotted Flat Countersunk Head Machine Screw
SFHMS	Slotted Fillister Head Machine Screw
SP	Special
SP SCREW	Special Screw
SQHSS	Square Head Set Screw
SRHMS	Slotted Round Head Machine Screw
SSS	Socket Set Screw
STCS	Self Tapping Cap Screw
STHMS	Slotted Truss Head Machine Screw
WHEEL	Wheel Studs and Hub Long Bolts
WING	Wing Bolt

Replacement Hardware

The **Hardware Legend** above lists hardware abbreviations used in the parts list. All bolts and nuts are Grade 5 unless otherwise noted. The use of improper grades of hardware can result in personal injury, damage to equipment, or loss of property.

Colored Replacement Parts

Land Pride offers replacement parts in factory standard colors and also on select models in Green, Orange, Red and Blue. Because of the variety of colors available, special attention must be given to the part number to prevent ordering the wrong replacement part.

A suffix number corresponding to one of the colors below must be added at the end of Land Pride's part number when ordering a replacement part with that color.

- | | |
|-----------------------------------|---------------------------------|
| 81 Green | 83 Red |
| 82 Orange | 84 Blue |

For example, if you are ordering a replacement part with part number 555-555C and the part you need is red, then add the suffix 83 to the end of the number to make the part number read 555-555C83. Parts ordered without a suffix number will be supplied in factory standard colors.

Black Replacement Parts

Some parts are factory standard black and some must be special ordered black. If your part is special ordered black, a second part number with the additional suffix number 85 on the end will be available. In this situation you must order that part with the suffix number for it to be black. Parts that are factory standard black will not have the suffix number.

Part Number Service Coding

Within the parts list some part numbers are coded for revisions and interchangeability. See notations in revision column.

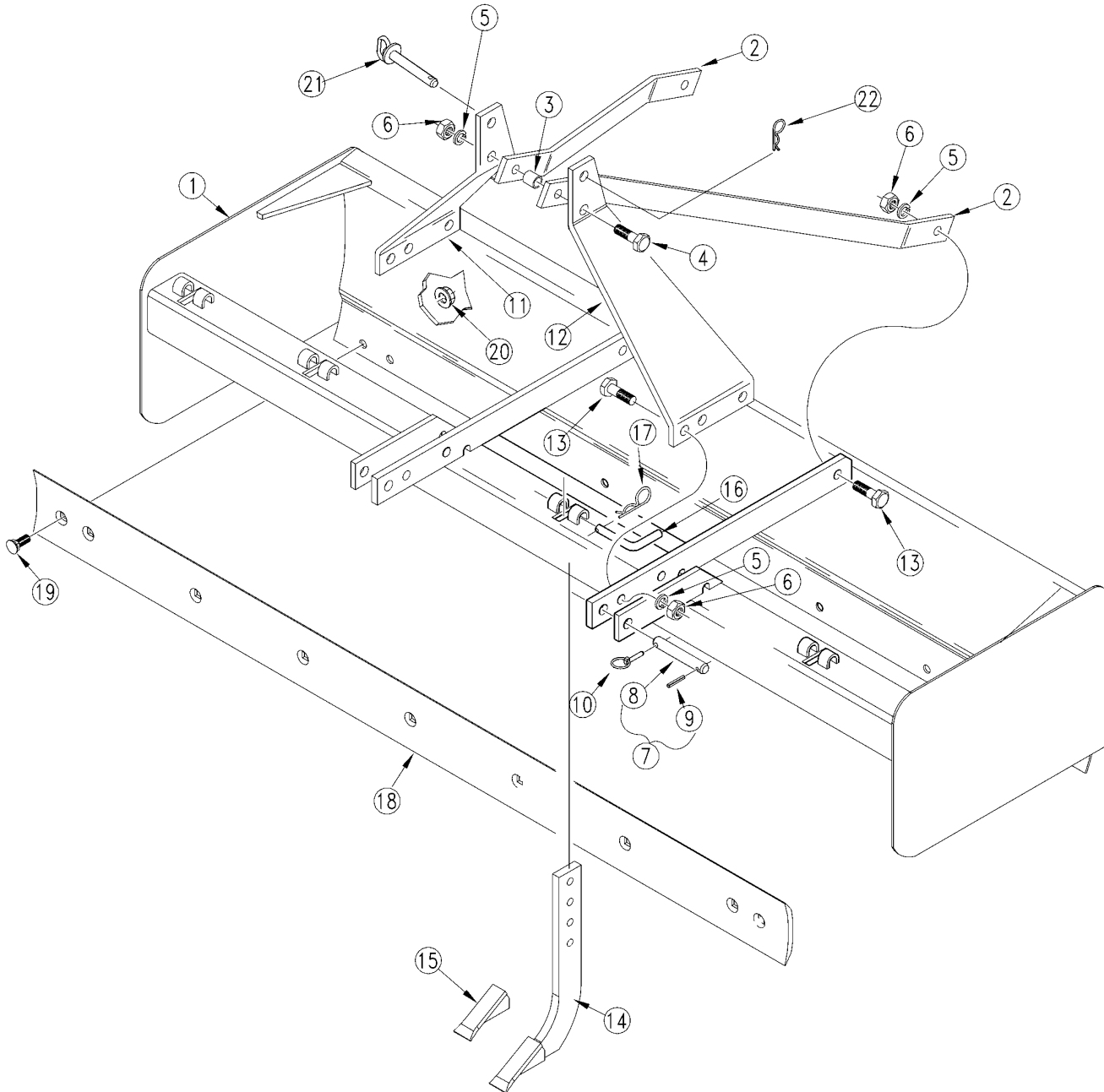
Serial Numbers

Always use the serial and model number when ordering parts. Refer to the Operator's Manual for serial number plate location.

- | | |
|----------------------|--|
| (S/N 20001+) | Includes serial numbers 20001 and above (to the latest number) |
| (S/N 10001 to 20000) | Includes serial numbers between and including 10001 and 20000 |
| (S/N 10000-) | Includes serial numbers 10000 and below (to the earliest number) |

Fixed Bar Box Scrapers

Applies to BB2560, BB2566, BB2572, BB2584, BB2596



14621

Fixed Bar Box Scrapers**Applies to BB2560, BB2566, BB2572, BB2584, BB2596**

Ref	Part No.	Part Description	Comments	Revision
	dwg14621	Drawing Image Number		
1.	303-075H	2560 FIXED BAR SCRAPER-5 SHANK)	With rear gate option	
1.	303-075H85	2560 FIXED BAR SCRAPER-5 SHANK) BLACK		
1.	303-075H82	2560 FIX BAR SCRPR OPT41 ORANGE		
1.	303-060H	25-84 FIXED BAR SCRAPER	With rear gate option	
1.	303-060H85	25-84 FIXED BAR SCRAPER BLACK		
1.	303-060H82	2584 FIX BAR SCRPR OPT41 ORANGE		
1.	303-065H	2596 BOX WELDMENT	With rear gate option	
1.	303-065H85	2596 BOX WELDMENT BLACK		
1.	303-065H82	2596 FIX BAR SCRPR OPT41 ORANGE		
1.	303-004H	66 FIXED BAR SCRAPER	With rear gate option	
1.	303-004H85	66 FIXED BAR SCRAPER BLACK		
1.	303-004H82	2566 FIX BAR SCRPR OPT41 ORANGE		
1.	303-005H	72 FIXED BAR SCRAPER	With rear gate option	
1.	303-005H85	72 FIXED BAR SCRAPER BLACK		
1.	303-005H82	2572 FIX BAR SCRPR OPT41 ORANGE		
1.	303-094H	60 25-42 FIXED BAR SCRAPER	With rear blade	
1.	303-094H85	60 25-42 FIXED BAR SCRAPER BLACK		
1.	303-094H82	2560 FIX BAR SCRPR OPT42 ORANGE		
1.	303-095H	66 25-42 FIXED BAR SCRAPER	With rear blade	
1.	303-095H85	66 25-42 FIXED BAR SCRAPER BLACK		
1.	303-095H82	2566 FIX BAR SCRPR OPT42 ORANGE		
1.	303-096H	72 25-42 FIXED BAR SCRAPER	With rear blade	
1.	303-096H85	72 25-42 FIXED BAR SCRAPER BLACK		
1.	303-096H82	2572 FIX BAR SCRPR OPT42 ORANGE		
1.	303-097H	84 25-42 FIXED BAR SCRAPER	With rear blade	
1.	303-097H85	84 25-42 FIXED BAR SCRAPER BLACK		
1.	303-097H82	2584 FIX BAR SCRPR OPT42 ORANGE		
1.	303-098H	96 25-42 FIXED BAR SCRAPER	With rear blade	
1.	303-098H85	96 25-42 FIXED BAR SCRAPER BLACK		
1.	303-098H82	2596 FIX BAR SCRPR OPT42 ORANGE		
2.	303-084D	TOP HITCH REAR BRACE	(S/N 273900+)	Rev. 2 not compat. w/Rev. 1.
2.	303-084D85	TOP HITCH REAR BRACE BLACK		
2.	303-084D82	TOP HITCH REAR BRACE ORANGE		
2.	303-034D	HITCH BRACE	(S/N 273899-)	Rev. 1
3.	308-400D	SPACER 1 1/4OD X 25/321D X 2LG	(S/N 273900+)	Rev. 2 not compat. w/Rev. 1.
3.	303-037D	TOP HITCH SPACER	(S/N 273899-)	Rev. 1
4.	802-069C	HHCS 3/4-10X5 GR5	(S/N 273900+)	Rev. 2 not compat. w/Rev. 1.
4.	802-068C	HHCS 3/4-10X4 GR5	(S/N 273899-)	Rev. 1
5.	804-023C	WASHER LOCK SPRING 3/4 PLT		
6.	803-027C	NUT HEX 3/4-10 PLT		
7.	303-017S	LOWER HITCH PIN 7/8 X 5 5/8		
8.	805-207C	PIN 7/8 OD X 4 15/32 USABLE		Rev. 2
8.	303-044D	RPBY 805-207C		Rev 1; Use up stock
9.	805-041C	PIN ROLL 1/4X1 3/4		
10.	805-015C	PIN LYNCH 5/16 X 1 3/4		
11.	303-086D	BB25 HEAVY RH HITCH PLATE	(S/N 273900+)	Rev. 2 not compat. w/Rev. 1.
11.	303-086D85	BB25 HEAVY RH HITCH PLATE BLACK		
11.	303-086D82	BB25 HVY RH HITCH PLATE ORANGE		
11.	303-032D	RH HITCH PLATE	(S/N 273899-)	Rev. 1
12.	303-085D	BB25 HEAVY LH HITCH PLATE	(S/N 273900+)	Rev. 2 not compat. w/Rev. 1.
12.	303-085D85	BB25 HEAVY LH HITCH PLATE BLACK		
12.	303-085D82	BB25 HVY LH HITCH PLATE ORANGE		
12.	303-033D	LH HITCH PLATE	(S/N 273899-)	Rev. 1
13.	802-064C	HHCS 3/4-10X2 GR5		
14.	820-152C	SCARIFIER SHANK - 18 W/TIP	(S/N 162205+)	Rev. 2
14.	820-044C	RPBY 820-152C	(S/N 162204-)	Rev 1; Use up stock
15.	820-153C	SHANK TIP DIMPLE-ON WIDE FLARE	(S/N 173469+)	Rev. 2 not compat. w/Rev. 1.

Fixed Bar Box Scrapers (continued)

Applies to BB2560, BB2566, BB2572, BB2584, BB2596

Ref	Part No.	Part Description	Comments	Revision
15.	820-050C	RPBY 820-153C	(S/N 173468-)	Rev. 1
16.	805-197C	PIN BENT SHANK LOCK 5/8 OD		Rev. 2
16.	303-038D	RPBY 805-197C		Rev 1; Use up stock
17.	805-032C	PIN HAIR COTTER .148 WIRE		
18.	820-041C	GRADER BLADE 1/2 X 6 X 59 1/2		
18.	820-042C	GRADER BLADE 1/2 X 6 X 65 1/2		
18.	820-043C	GRADER BLADE 1/2 X 6 X 71 1/2		
18.	820-046C	GRADER BLADE 1/2 X 6 X 83 1/2		
18.	820-035C	GRADER BLADE 1/2 X 6 X 95 1/2		
19.	802-813C	PLOW 5/8-11X1 1/4 GR5		
20.	803-263C	NUT HEX FLANGE LOCK 5/8-11		
21.	805-081C	PIN HITCH 3/4 X 4 3/8	(S/N 363809+) BB25; Includes hair pin cotter	

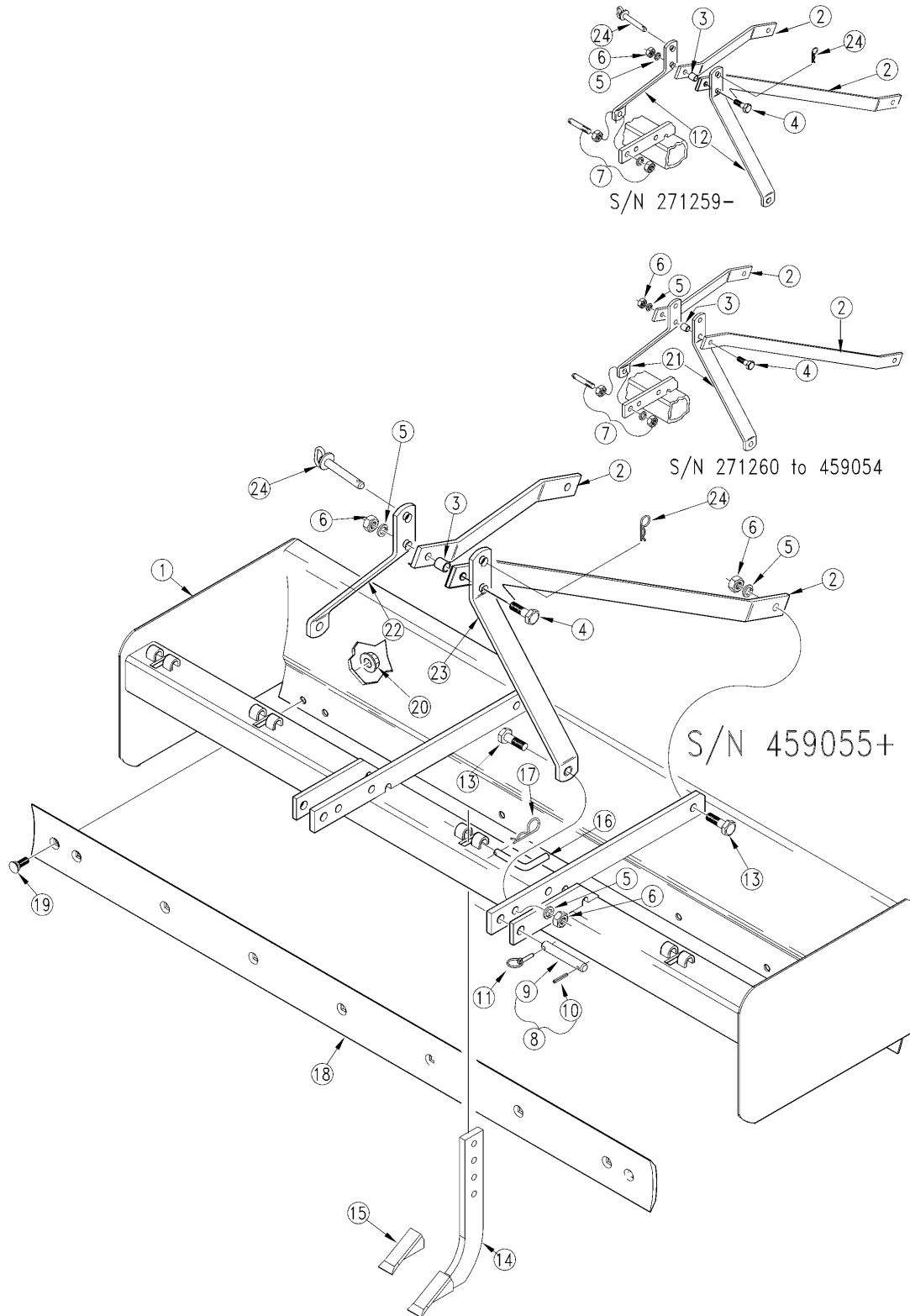
Fixed Bar Box Scrapers (continued)

Applies to BB2560, BB2566, BB2572, BB2584, BB2596

This Page Intentionally Left Blank

Fixed Bar Scraper

Applies to BB1542, BB1548, BB1554, BB1560, BB1566, BB1572



22411

Fixed Bar Scraper**Applies to BB1542, BB1548, BB1554, BB1560, BB1566, BB1572**

Ref	Part No.	Part Description	Comments	Revision
	dwg22411	Drawing Image Number		
1.	303-122H	1542 FIXED BAR SCRAPER OPT. 41	(S/N 459055 +)	Rev. 2
1.	303-122H81	1542 FIXED BAR SCRAPER OPT. 41 GREEN		
1.	303-122H82	1542 FIXED BAR SCRAPER OPT. 41 ORANGE		
1.	303-122H83	1542 FIXED BAR SCRAPER OPT. 41 RED		
1.	303-122H94	1542 FIXED BAR SCRAPER OPT. 41 BLUE		
1.	303-122H85	1542 FIXED BAR SCRAPER OPT. 41 BLACK		
1.	303-053H	1542 FIXED BAR SCRAPER OPT. 41	With rear gate option(S/N 459054 -)	Rev. 1
1.	303-123H	1548 FIXED BAR SCRAPER OPT. 41	(S/N 459055 +)	Rev. 2
1.	303-123H81	1548 FIXED BAR SCRAPER OPT. 41 GREEN		
1.	303-123H82	1548 FIXED BAR SCRAPER OPT. 41 ORANGE		
1.	303-123H83	1548 FIXED BAR SCRAPER OPT. 41 RED		
1.	303-123H84	1548 FIXED BAR SCRAPER OPT. 41 BLUE		
1.	303-123H85	1548 FIXED BAR SCRAPER OPT. 41 BLACK		
1.	303-001H	1548 FIXED BAR SCRAPER OPT. 41	With rear gate option(S/N 459054 -)	Rev. 1
1.	303-124H	1554 FIXED BAR SCRAPER OPT. 41	(S/N 459055 +)	Rev. 2
1.	303-124H81	1554 FIXED BAR SCRAPER OPT. 41 GREEN		
1.	303-124H82	1554 FIXED BAR SCRAPER OPT. 41 ORANGE		
1.	303-124H83	1554 FIXED BAR SCRAPER OPT. 41 RED		
1.	303-124H84	1554 FIXED BAR SCRAPER OPT. 41 BLUE		
1.	303-124H85	1554 FIXED BAR SCRAPER OPT. 41 BLACK		
1.	303-072H	1554 FIXED BAR SCRAPER OPT. 41	With rear gate option(S/N 459054 -)	Rev. 1
1.	303-125H	1560 FIXED BAR SCRAPER OPT. 41	(S/N 459055 +)	Rev. 2
1.	303-125H81	1560 FIXED BAR SCRAPER OPT. 41 GREEN		
1.	303-125H82	1560 FIXED BAR SCRAPER OPT. 41 ORANGE		
1.	303-125H83	1560 FIXED BAR SCRAPER OPT. 41 RED		
1.	303-125H84	1560 FIXED BAR SCRAPER OPT. 41 BLUE		
1.	303-125H85	1560 FIXED BAR SCRAPER OPT. 41 BLACK		
1.	303-003H	1560 FIXED BAR SCRAPER OPT. 41	With rear gate option(S/N 459054 -)	Rev. 1
1.	303-126H	1572 FIXED BAR SCRAPER OPT. 41	(S/N 459055 +)	Rev. 2
1.	303-126H81	1572 FIXED BAR SCRAPER OPT. 41 GREEN		
1.	303-126H82	1572 FIXED BAR SCRAPER OPT. 41 ORANGE		
1.	303-126H83	1572 FIXED BAR SCRAPER OPT. 41 RED		
1.	303-126H84	1572 FIXED BAR SCRAPER OPT. 41 BLUE		
1.	303-126H85	1572 FIXED BAR SCRAPER OPT. 41 BLACK		
1.	303-054H	1572 FIXED BAR SCRAPER OPT. 41	With rear gate option(S/N 459054 -)	Rev. 1
1.	303-127H	1542 FIXED BAR SCRAPER OPT. 42	(S/N 459055 +)	Rev. 2
1.	303-127H81	1542 FIXED BAR SCRAPER OPT. 42 GREEN		
1.	303-127H82	1542 FIXED BAR SCRAPER OPT. 42 ORANGE		
1.	303-127H83	1542 FIXED BAR SCRAPER OPT. 42 RED		
1.	303-127H84	1542 FIXED BAR SCRAPER OPT. 42 BLUE		
1.	303-127H85	1542 FIXED BAR SCRAPER OPT. 42		
1.	303-089H	1542 FIXED BAR SCRAPER OPT. 42	With rear gate option(S/N 459054 -)	Rev. 1
1.	303-128H	1548 FIXED BAR SCRAPER OPT. 42	(S/N 459055 +)	Rev. 2
1.	303-128H81	1548 FIXED BAR SCRAPER OPT. 42 GREEN		
1.	303-128H82	1548 FIXED BAR SCRAPER OPT. 42 ORANGE		
1.	303-128H83	1548 FIXED BAR SCRAPER OPT. 42 RED		
1.	303-128H84	1548 FIXED BAR SCRAPER OPT. 42 BLUE		
1.	303-128H85	1548 FIXED BAR SCRAPER OPT. 42 BLACK		
1.	303-090H	1548 FIXED BAR SCRAPER OPT. 42	With rear gate option(S/N 459054 -)	Rev. 1
1.	303-129H	1554 FIXED BAR SCRAPER OPT. 42	(S/N 459055 +)	Rev. 2
1.	303-129H81	1554 FIXED BAR SCRAPER OPT. 42 GREEN		
1.	303-129H82	1554 FIXED BAR SCRAPER OPT. 42 ORANGE		
1.	303-129H83	1554 FIXED BAR SCRAPER OPT. 42 RED		
1.	303-129H84	1554 FIXED BAR SCRAPER OPT. 42 BLUE		
1.	303-129H85	1554 FIXED BAR SCRAPER OPT. 42 BLACK		
1.	303-091H	1554 FIXED BAR SCRAPER OPT. 42	With rear gate option(S/N 459054 -)	Rev. 1
1.	303-130H	1560 FIXED BAR SCRAPER OPT. 42	(S/N 459055 +)	Rev. 2

Fixed Bar Scraper (continued)

Applies to BB1542, BB1548, BB1554, BB1560, BB1566, BB1572

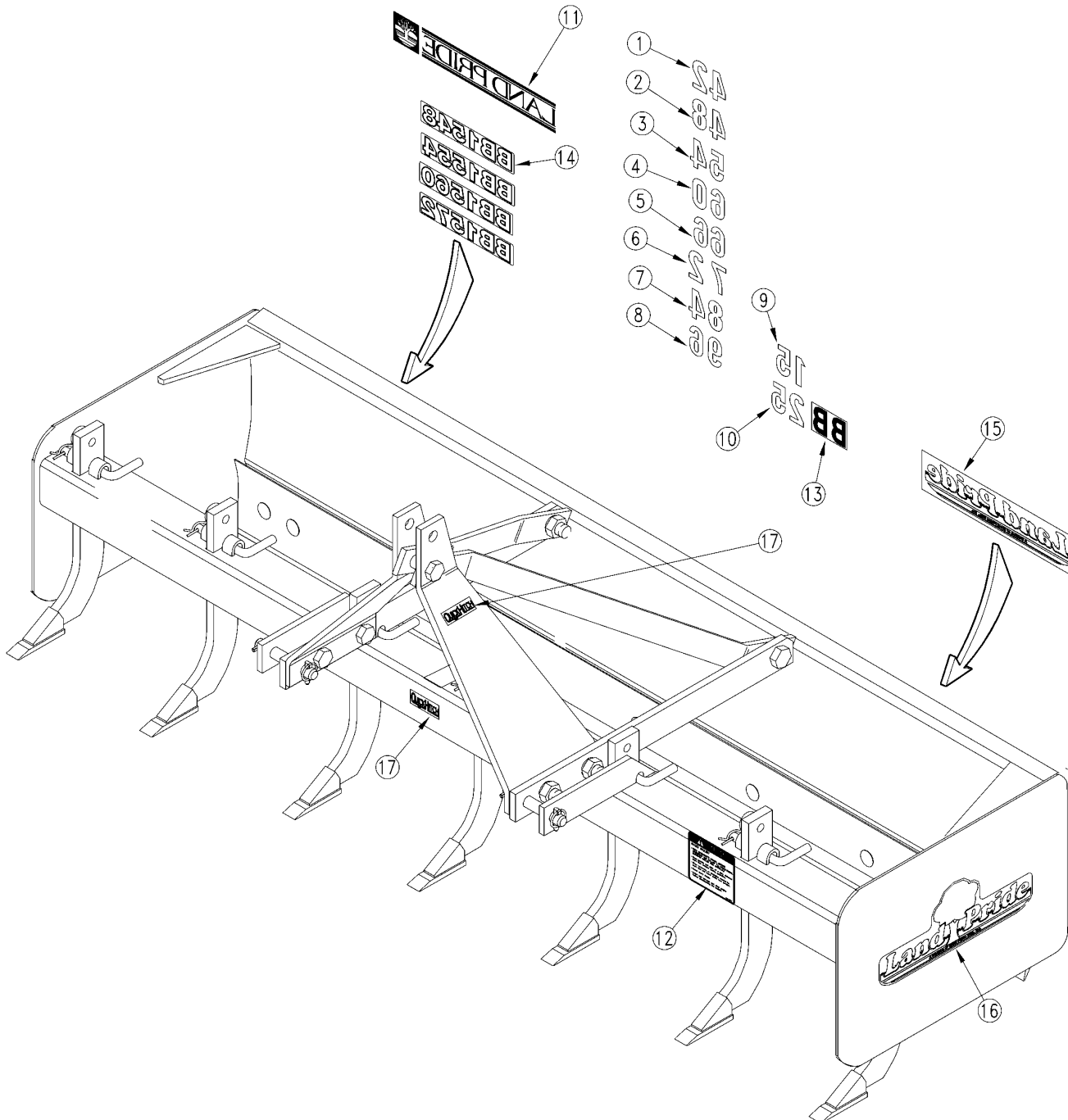
Ref	Part No.	Part Description	Comments	Revision
1.	303-130H81	1560 FIXED BAR SCRAPER OPT. 42 GREEN		
1.	303-130H82	1560 FIXED BAR SCRAPER OPT. 42 ORANGE		
1.	303-130H83	1560 FIXED BAR SCRAPER OPT. 42 RED		
1.	303-130H84	1560 FIXED BAR SCRAPER OPT. 42 BLUE		
1.	303-130H85	1560 FIXED BAR SCRAPER OPT. 42 BLACK		
1.	303-092H	1560 FIXED BAR SCRAPER OPT. 42	With rear gate option(S/N 459054 -)	Rev. 1
1.	303-250H	1566 FIXED BAR SCRAPER WLDMNT		
1.	303-250H81	1566 FIXED BAR SCRAPER WLDMNT GREEN		
1.	303-250H82	1566 FIXED BAR SCRAPER WLDMNT ORANGE		
1.	303-250H83	1566 FIXED BAR SCRAPER WLDMNT RED		
1.	303-250H84	1566 FIXED BAR SCRAPER WLDMNT BLUE		
1.	303-250H85	1566 FIXED BAR SCRAPER WLDMNT BLACK		
1.	303-131H	1572 FIXED BAR SCRAPER OPT. 42	(S/N 459055 +)	Rev. 2
1.	303-131H81	1572 FIXED BAR SCRAPER OPT. 42 GREEN		
1.	303-131H82	1572 FIXED BAR SCRAPER OPT. 42 ORANGE		
1.	303-131H83	1572 FIXED BAR SCRAPER OPT. 42 RED		
1.	303-131H84	1572 FIXED BAR SCRAPER OPT. 42 BLUE		
1.	303-131H85	1572 FIXED BAR SCRAPER OPT. 42 BLACK		
1.	303-093H	1572 FIXED BAR SCRAPER OPT. 42	With rear gate option(S/N 459054 -)	Rev. 1
2.	303-121D	HITCH TOP REAR BRACE	(S/N 459055 +)	Rev. 3 not compat. w/Rev. 2.
2.	303-121D81	HITCH TOP REAR BRACE GREEN		
2.	303-121D82	HITCH TOP REAR BRACE ORANGE		
2.	303-121D83	HITCH TOP REAR BRACE RED		
2.	303-121D84	HITCH TOP REAR BRACE BLUE		
2.	303-121D85	HITCH TOP REAR BRACE BLACK		
2.	303-084D	TOP HITCH REAR BRACE	(S/N 271260+) (S/N 459054)	Rev. 2 not compat. w/Rev. 1.
2.	303-034D	HITCH BRACE	(S/N 271259-)	Rev. 1
3.	308-400D	SPACER 1 1/4OD X 25/32ID X 2LG	(S/N 271260+)	Rev. 2 not compat. w/Rev. 1.
3.	303-037D	TOP HITCH SPACER	(S/N 271259-)	Rev. 1
4.	802-069C	HHCS 3/4-10X5 GR5	(S/N 271260+)	Rev. 2 not compat. w/Rev. 1.
4.	802-068C	HHCS 3/4-10X4 GR5	(S/N 271259-)	Rev. 1
5.	804-023C	WASHER LOCK SPRING 3/4 PLT		
6.	803-027C	NUT HEX 3/4-10 PLT		
7.	805-111C	PIN DRAW 7/8 X 5		
8.	310-020S	LOWER HITCH PIN		
9.	805-198C	PIN LOWER HITCH 7/8X3 1/16USBL		Rev. 2
9.	310-074D	RPBY 805-198C		Rev 1; Use up stock
10.	805-041C	PIN ROLL 1/4X1 3/4		
11.	805-015C	PIN LYNCH 5/16 X 1 3/4		
12.	303-036D	48 HITCH STRAP	(S/N 271259-)	
13.	802-064C	HHCS 3/4-10X2 GR5		
14.	820-152C	SCARIFIER SHANK - 18 W/TIP	(S/N 162205+)	Rev. 2
14.	820-044C	RPBY 820-152C	(S/N 162204-)	Rev 1; Use up stock
15.	820-153C	SHANK TIP DIMPLE-ON WIDE FLARE	(S/N 173469+)	Rev. 2
15.	820-050C	RPBY 820-153C	(S/N 173468-)	Rev. 1
16.	805-197C	PIN BENT SHANK LOCK 5/8 OD		Rev. 2
16.	303-038D	RPBY 805-197C		Rev 1; Use up stock
17.	805-032C	PIN HAIR COTTER .148 WIRE		
18.	820-069C	GRADER BLADE 1/2 X 6 X 41 1/2		
18.	820-039C	GRADER BLADE 1/2 X 6 X 47 1/2		
18.	820-040C	GRADER BLADE 1/2 X 6 X 53 1/2		
18.	820-041C	GRADER BLADE 1/2 X 6 X 59 1/2		
18.	820-042C	GRADER BLADE 1/2 X 6 X 65 1/2		
18.	820-043C	GRADER BLADE 1/2 X 6 X 71 1/2		
19.	802-813C	PLOW 5/8-11X1 1/4 GR5		
20.	803-236C	NUT HEX FLANGE LOCK 5/8-11 PLT		
21.	322-010D	DISC UPPER 3PT STRAP SHORT	(S/N 271260) to (S/N 459054)	

Fixed Bar Scraper (continued)**Applies to BB1542, BB1548, BB1554, BB1560, BB1566, BB1572**

Ref	Part No.	Part Description	Comments	Revision
22.	303-122D	HITCH TOP RH STRAP	(S/N 459055 +)	
22.	303-122D81	HITCH TOP RH STRAP GREEN		
22.	303-122D82	HITCH TOP RH STRAP ORANGE		
22.	303-122D83	HITCH TOP RH STRAP RED		
22.	303-122D84	HITCH TOP RH STRAP BLUE		
22.	303-122D85	HITCH TOP RH STRAP BLACK		
23.	303-123D	HITCH TOP LH STRAP	(S/N 459055 +)	
23.	303-123D81	HITCH TOP LH STRAP GREEN		
23.	303-123D82	HITCH TOP LH STRAP ORANGE		
23.	303-123D83	HITCH TOP LH STRAP RED		
23.	303-123D84	HITCH TOP LH STRAP BLUE		
23.	303-123D85	HITCH TOP LH STRAP BLACK	Includes Hair Pin Cotter	
24.	805-081C	PIN HITCH 3/4 X 4 3/8		

Label Placement

Applies to BB1542, BB1548, BB1554, BB1560, BB1566, BB1572, BB2560, BB2566, BB2572, BB2584, BB2596



17566

Label Placement**Applies to BB1542, BB1548, BB1554, BB1560, BB1566, BB1572, BB2560, BB2566, BB2572, BB2584, BB2596**

Ref	Part No.	Part Description	Comments	Revision
	dwg17566	Drawing Image Number		
	303-078A	BB1542 DECAL PACKAGE		
	303-032A	BB1548 DECALS		
	303-074A	BB1554 DECALS		
	303-037A	BB1560 DECALS		
	303-079A	BB1572 DECAL PACKAGE		
	303-077A	BB2560 DECALS		
	303-047A	BB2566 DECALS		
	303-052A	BB2572 DECALS		
	303-080A	BB2584 DECAL PACKAGE		
	303-081A	BB2596 DECAL PACKAGE		
1.	818-168C	DECAL 42 LP - BLACK	(S/N 252285-)	
2.	818-087C	DECAL 48 LP - BLACK	(S/N 252285-)	
3.	818-088C	DECAL 54 LP - BLACK	(S/N 252285-)	
4.	818-090C	DECAL 60 LP - BLACK	(S/N 252285-)	
5.	818-091C	DECAL 66 LP - BLACK	(S/N 252285-)	
6.	818-092C	DECAL 72 LP - BLACK	(S/N 252285-)	
7.	818-094C	DECAL 84 LP - BLACK	(S/N 252285-)	
8.	818-099C	DECAL 96 LP - BLACK	(S/N 252285-)	
9.	818-084C	DECAL 15 SERIES LP - BLACK	(S/N 252285-)	
10.	818-085C	DECAL 25 SERIES LP - BLACK	(S/N 252285-)	
11.	818-162C	LP LOGO LARGE GREEN	(S/N 252285-)	
12.	818-267C	DECAL CAUTION - BOX SCRAPER		
13.	818-725C	DECAL BB LAND PRIDE BLACK	(S/N 252285-)	
14.	838-006C	DECAL BB1548-BROWN	(S/N 252286+) Beige Unit	
14.	838-927C	DECAL BB1548-GOLD	Green, Orange, Red & Blue Unit	
14.	838-861C	DECAL BB1548-BEIGE	Black Unit	
14.	838-007C	DECAL BB1554-BROWN	(S/N 252286+) Beige Unit	
14.	838-928C	DECAL BB1554-GOLD	Green, Orange, Red & Blue Unit	
14.	838-852C	DECAL BB1554-BEIGE	Black Unit	
14.	838-008C	DECAL BB1560-BROWN	(S/N 252286+) Beige Unit	
14.	838-929C	DECAL BB1560-GOLD	Green, Orange, Red & Blue Unit	
14.	838-853C	DECAL BB1560-BEIGE	Black Unit	
14.	848-287C	DECAL, BB1566 BROWN	Beige Unit	
14.	848-288C	DECAL, BB1566 GOLD	Green, Orange, Red & Blue Unit	
14.	848-289C	DECAL, BB1566 BEIGE	Black Unit	
14.	838-009C	DECAL BB1572-BROWN	(S/N 252286+) Beige Unit	
14.	838-930C	DECAL BB1572-GOLD	Green, Orange, Red & Blue Unit	
14.	838-854C	DECAL BB1572-BEIGE	Black Unit	
14.	838-010C	DECAL BB2560-BROWN	(S/N 252286+) Beige Unit	
14.	838-855C	DECAL BB2560-BEIGE	Black Unit	
14.	848-178C	DECAL BB2560-GOLD	Orange Unit	
14.	838-011C	DECAL BB2566-BROWN	(S/N 252286+) Beige Unit	
14.	838-856C	DECAL BB2566-BEIGE	Black Unit	
14.	848-179C	DECAL BB2566-GOLD	Orange Unit	
14.	838-012C	DECAL BB2572-BROWN	(S/N 252286+) Beige Unit	
14.	838-857C	DECAL BB2572-BEIGE	Black Unit	
14.	848-180C	DECAL BB2572-GOLD	Orange Unit	
14.	838-013C	DECAL BB2584-BROWN	(S/N 252286+) Beige Unit	
14.	838-858C	DECAL BB2584-BEIGE	Black Unit	
14.	848-181C	DECAL BB2584-GOLD	Orange Unit	
14.	838-014C	DECAL BB2596-BROWN	(S/N 252286+) Beige Unit	
14.	838-859C	DECAL BB2596-BEIGE	Black Unit	
14.	848-182C	DECAL BB2596-GOLD	Orange Unit	
15.	818-901C	DECAL LANDPRIDE 16" - BROWN	(S/N 252286+) Beige Unit	
15.	838-965C	DECAL LANDPRIDE 16" BROWN/GOLD	Green, Orange, Red, Blue & Black Unit	
16.	818-893C	DECAL LP W/TREE 16" - 2 COLOR	(S/N 252286+) Beige Unit	Rev. 2 not compat. w/Rev. 1.

Label Placement (continued)

Applies to BB1542, BB1548, BB1554, BB1560, BB1566, BB1572, BB2560, BB2566, BB2572, BB2584, BB2596

Ref	Part No.	Part Description	Comments	Revision
16.	838-964C	DECAL LP 16" W/TREE BROWN/GOLD	Green, Orange, Red, Blue & Black Unit	
16.	818-162C	LP LOGO LARGE GREEN	(S/N 252285-)	Rev. 1
17.	838-517C	DECAL QUICK HITCH SYSTEM		

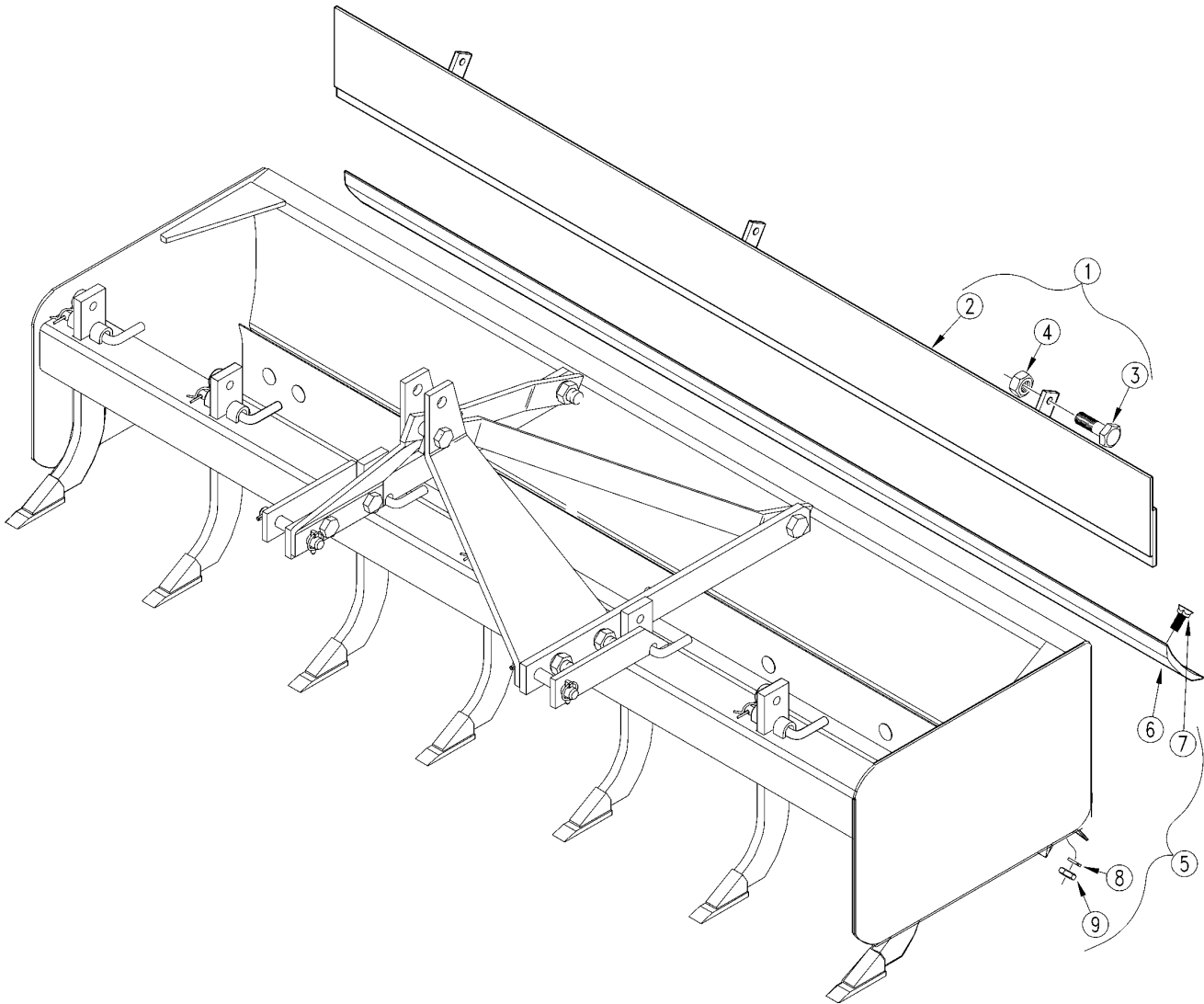
Label Placement (continued)

Applies to BB1542, BB1548, BB1554, BB1560, BB1566, BB1572, BB2560, BB2566, BB2572, BB2584, BB2596

This Page Intentionally Left Blank

Rear Hinge And Rear Grader Blade

Applies to BB1542, BB1548, BB1554, BB1560, BB1572, BB2560, BB2566, BB2572, BB2584, BB2596



Rear Hinge And Rear Grader Blade**Applies to BB1542, BB1548, BB1554, BB1560, BB1572, BB2560, BB2566, BB2572, BB2584, BB2596**

Ref	Part No.	Part Description	Comments	Revision
	dwg14241	Drawing Image Number		
1.	303-058A	42 HINGED REAR GATE ASSY		
1.	303-058A81	42 HINGED REAR GATE ASSY GREEN		
1.	303-058A82	42 HINGED REAR GATE ASSY ORANGE		
1.	303-058A83	42 HINGED REAR GATE ASSY RED		
1.	303-058A84	42 HINGED REAR GATE ASSY BLUE		
1.	303-058A85	42 HINGED REAR GATE ASSY BLACK		
1.	303-018A	48 HINGED REAR GATE ASSEMBLY		
1.	303-018A81	48 HINGED REAR GATE ASSEMBLY GREEN		
1.	303-018A82	48 HINGED REAR GATE ASSEMBLY ORANGE		
1.	303-018A83	48 HINGED REAR GATE ASSEMBLY RED		
1.	303-018A84	48 HINGED REAR GATE ASSEMBLY BLUE		
1.	303-018A85	48 HINGED REAR GATE ASSEMBLY BLACK		
1.	303-019A	54 HINGED REAR GATE ASSEMBLY		
1.	303-019A81	54 HINGED REAR GATE ASSEMBLY GREEN		
1.	303-019A82	54 HINGED REAR GATE ASSEMBLY ORANGE		
1.	303-019A83	54 HINGED REAR GATE ASSEMBLY RED		
1.	303-019A84	54 HINGED REAR GATE ASSEMBLY BLUE		
1.	303-019A85	54 HINGED REAR GATE ASSEMBLY BLACK		
1.	303-020A	60 HINGED REAR GATE ASSEMBLY		
1.	303-020A81	60 HINGED REAR GATE ASSEMBLY GREEN		
1.	303-020A82	60 HINGED REAR GATE ASSEMBLY ORANGE		
1.	303-020A83	60 HINGED REAR GATE ASSEMBLY RED		
1.	303-020A84	60 HINGED REAR GATE ASSEMBLY BLUE		
1.	303-020A85	60 HINGED REAR GATE ASSEMBLY BLACK		
1.	303-021A	66 HINGED REAR GATE ASSEMBLY		
1.	303-021A81	66 HINGED REAR GATE ASSEMBLY GREEN		
1.	303-021A82	66 HINGED REAR GATE ASSEMBLY ORANGE		
1.	303-021A83	66 HINGED REAR GATE ASSEMBLY RED		
1.	303-021A84	66 HINGED REAR GATE ASSEMBLY BLUE		
1.	303-021A85	66 HINGED REAR GATE ASSEMBLY BLACK		
1.	303-022A	72 HINGED REAR GATE ASSEMBLY		
1.	303-022A81	72 HINGED REAR GATE ASSEMBLY GREEN		
1.	303-022A82	72 HINGED REAR GATE ASSEMBLY ORANGE		
1.	303-022A83	72 HINGED REAR GATE ASSEMBLY RED		
1.	303-022A84	72 HINGED REAR GATE ASSEMBLY BLUE		
1.	303-022A85	72 HINGED REAR GATE ASSEMBLY BLACK		
1.	303-063A	84 REAR HINGED GATE ASS'Y		
1.	303-063A81	84 REAR HINGED GATE ASS'Y GREEN		
1.	303-063A82	84 REAR HINGED GATE ASS'Y ORANGE		
1.	303-063A83	84 REAR HINGED GATE ASS'Y RED		
1.	303-063A84	84 REAR HINGED GATE ASS'Y BLUE		
1.	303-063A85	84 REAR HINGED GATE ASS'Y BLACK		
1.	303-068A	96 REAR HINGED GATE ASSY		
1.	303-068A81	96 REAR HINGED GATE ASSY		
1.	303-068A82	96 REAR HINGED GATE ASSY		
1.	303-068A83	96 REAR HINGED GATE ASSY		
1.	303-068A84	96 REAR HINGED GATE ASSY		
1.	303-068A85	96 REAR HINGED GATE ASSY		
2.	303-055H	42 REAR HINGED GATE		
2.	303-055H81	42 REAR HINGED GATE GREEN		
2.	303-055H82	42 REAR HINGED GATE ORANGE		
2.	303-055H83	42 REAR HINGED GATE RED		
2.	303-055H84	42 REAR HINGED GATE BLUE		
2.	303-055H85	42 REAR HINGED GATE BLACK		
2.	303-006H	48 REAR HINGED BLADE		
2.	303-006H81	48 REAR HINGED BLADE GREEN		
2.	303-006H82	48 REAR HINGED BLADE ORANGE		

Rear Hinge And Rear Grader Blade (continued)

Applies to BB1542, BB1548, BB1554, BB1560, BB1572, BB2560, BB2566, BB2572, BB2584, BB2596

Ref	Part No.	Part Description	Comments	Revision
2.	303-006H83	48 REAR HINGED BLADE RED		
2.	303-006H84	48 REAR HINGED BLADE BLUE		
2.	303-006H85	48 REAR HINGED BLADE BLACK		
2.	303-007H	54 REAR HINGED BLADE		
2.	303-007H81	54 REAR HINGED BLADE GREEN		
2.	303-007H82	54 REAR HINGED BLADE ORANGE		
2.	303-007H83	54 REAR HINGED BLADE RED		
2.	303-007H84	54 REAR HINGED BLADE BLUE		
2.	303-007H85	54 REAR HINGED BLADE BLACK		
2.	303-008H	60 REAR HINGED BLADE		
2.	303-008H81	60 REAR HINGED BLADE GREEN		
2.	303-008H82	60 REAR HINGED BLADE ORANGE		
2.	303-008H84	60 REAR HINGED BLADE BLUE		
2.	303-008H83	60 REAR HINGED BLADE RED		
2.	303-008H85	60 REAR HINGED BLADE BLACK		
2.	303-009H	66 REAR HINGED BLADE		
2.	303-009H81	66 REAR HINGED BLADE GREEN		
2.	303-009H82	66 REAR HINGED BLADE ORANGE		
2.	303-009H83	66 REAR HINGED BLADE RED		
2.	303-009H84	66 REAR HINGED BLADE BLUE		
2.	303-009H85	66 REAR HINGED BLADE BLACK		
2.	303-010H	72 REAR HINGED BLADE		
2.	303-010H81	72 REAR HINGED BLADE GREEN		
2.	303-010H82	72 REAR HINGED BLADE ORANGE		
2.	303-010H83	72 REAR HINGED BLADE RED		
2.	303-010H84	72 REAR HINGED BLADE BLUE		
2.	303-010H85	72 REAR HINGED BLADE BLACK		
2.	303-061H	84 REAR HINGED GATE		
2.	303-061H81	84 REAR HINGED GATE GREEN		
2.	303-061H82	84 REAR HINGED GATE ORANGE		
2.	303-061H83	84 REAR HINGED GATE RED		
2.	303-061H84	84 REAR HINGED GATE BLUE		
2.	303-061H85	84 REAR HINGED GATE BLACK		
2.	303-066H	96 HINGED REAR GATE WELD.		
2.	303-066H81	96 HINGED REAR GATE WELD. GREEN		
2.	303-066H82	96 HINGED REAR GATE WELD. ORANGE		
2.	303-066H83	96 HINGED REAR GATE WELD. RED		
2.	303-066H84	96 HINGED REAR GATE WELD. BLUE		
2.	303-066H85	96 HINGED REAR GATE WELD. BLACK		
3.	802-082C	HHCS 1/2-13X1 3/4 GR5		
4.	803-019C	NUT LOCK 1/2-13 PLT		
5.	303-059A	42 REAR GRADER BLADE ASSY		
5.	303-023A	48-1/2 X 6 GRADE BLADE ASSY		
5.	303-024A	54-1/2 X 6 GRADER BLADE ASSY		
5.	303-025A	60-1/2 X 6 GRADER BLADE ASSY		
5.	303-026A	66-1/2 X 6 GRADER BLADE ASSY		
5.	303-027A	72-1/2 X 6 GRADER BLADE ASSY		
5.	303-064A	84 REAR GRADER BLADE ASS'Y		
5.	303-069A	96 GRADER BLADE ASSY		
6.	820-069C	GRADER BLADE 1/2 X 6 X 41 1/2		
6.	820-039C	GRADER BLADE 1/2 X 6 X 47 1/2		
6.	820-040C	GRADER BLADE 1/2 X 6 X 53 1/2		
6.	820-041C	GRADER BLADE 1/2 X 6 X 59 1/2		
6.	820-042C	GRADER BLADE 1/2 X 6 X 65 1/2		
6.	820-043C	GRADER BLADE 1/2 X 6 X 71 1/2		
6.	820-046C	GRADER BLADE 1/2 X 6 X 83 1/2		
6.	820-035C	GRADER BLADE 1/2 X 6 X 95 1/2		
7.	802-236C	PLOW 5/8-11X1 1/2 GR5		

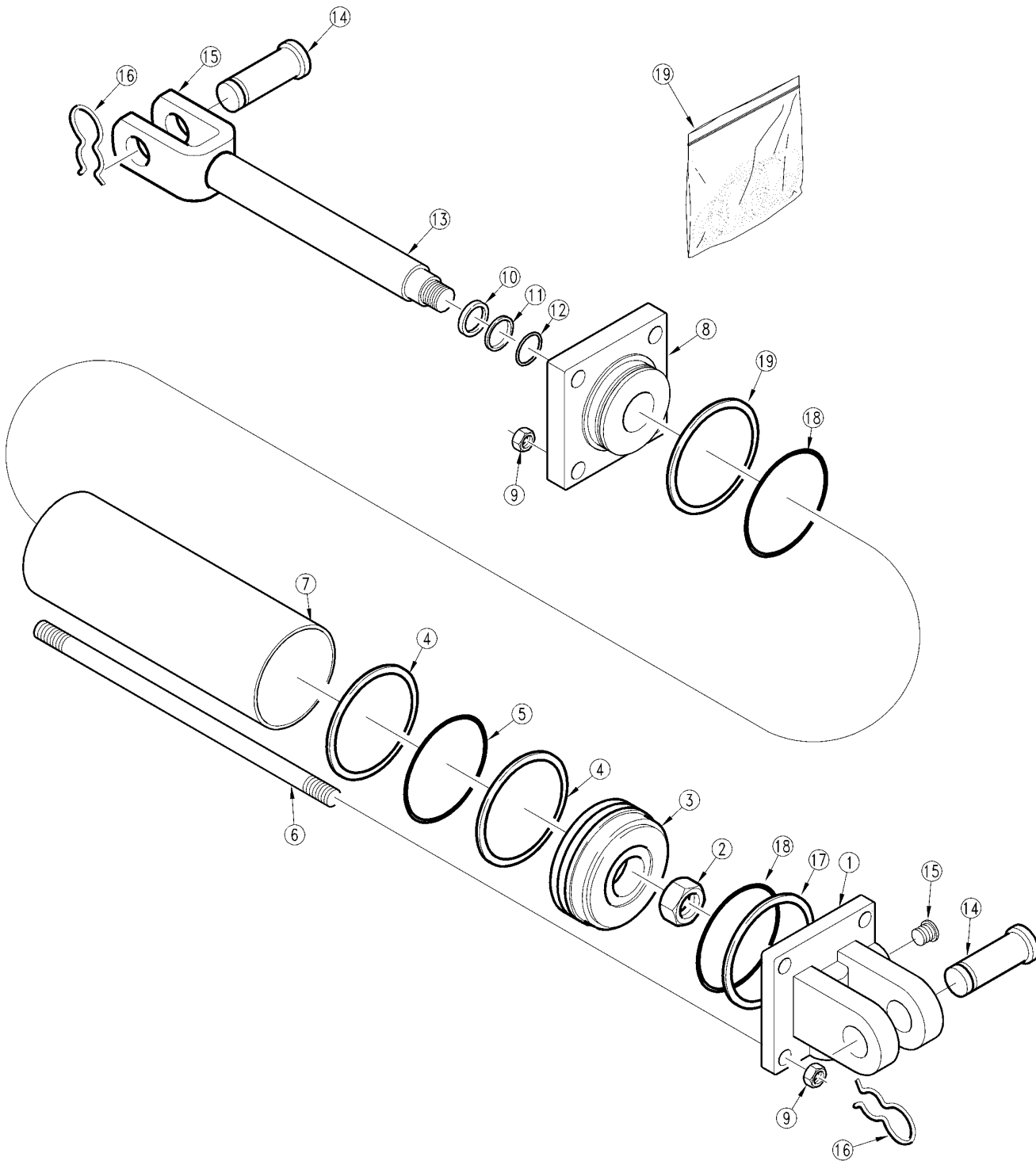
Rear Hinge And Rear Grader Blade (continued)

Applies to BB1542, BB1548, BB1554, BB1560, BB1572, BB2560, BB2566, BB2572, BB2584, BB2596

Ref	Part No.	Part Description	Comments	Revision
8.	804-022C	WASHER LOCK SPRING 5/8 PLT		
9.	803-021C	NUT HEX 5/8-11 PLT		

Hydraulic Cylinder Double Acting (810-125C) Red Lion

Applies to HR3566, HR3572, HR3578, HR3584, HRL3572, HRL3578



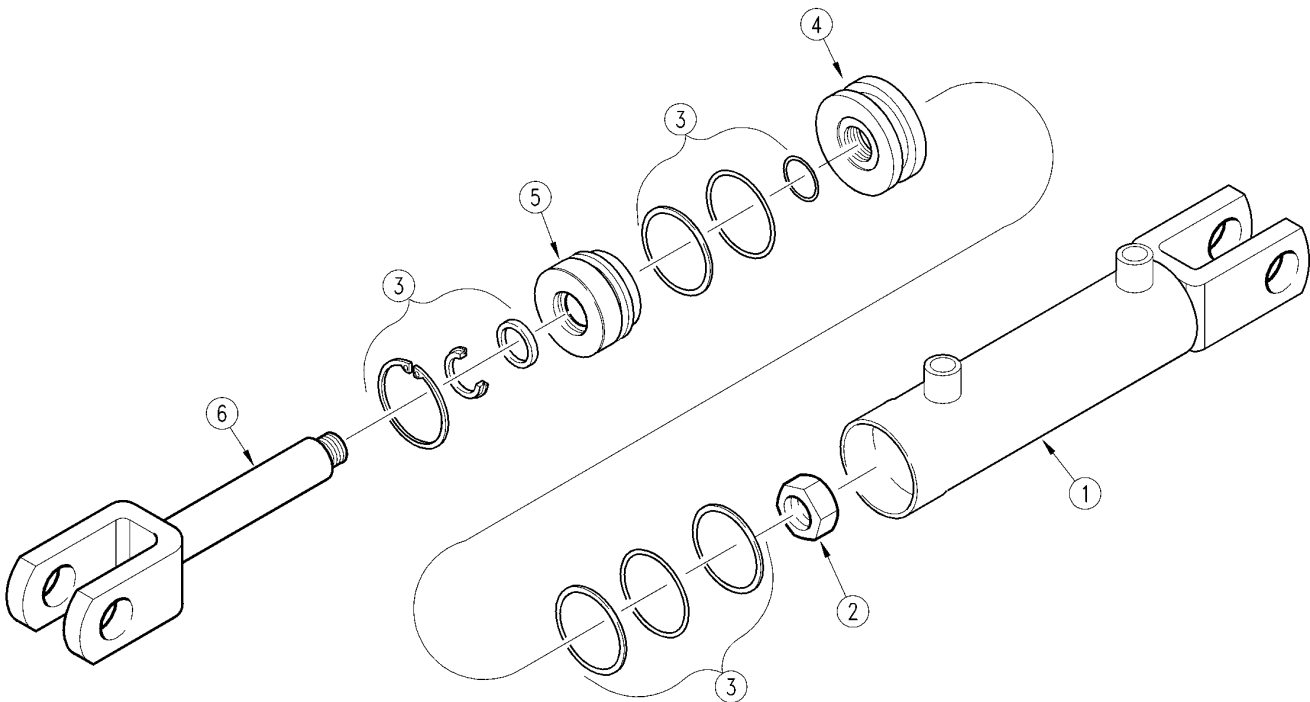
13565

Hydraulic Cylinder Double Acting (810-125C) Red Lion**Applies to HR3566, HR3572, HR3578, HR3584, HRL3572, HRL3578**

Ref	Part No.	Part Description	Comments	Revision
	dwg13565	Drawing Image Number		
	810-125C	CYL 2X4X1.12 ROD DBL ACTING		
1.	492668	LION CLEVIS CAP 2.0, 9/16 ORB		
2.	129090	LION NUT 3/4UNC		
3.	492548	LION PISTON 2.0 DIA CST DI		
4.		SEAL 073-326 BU WASHER	Only found in seal kit 19	
5.		O-RING 326*DWG* 1 5/8" X 2" D90	Only found in seal kit 19	
6.	492742	LION TIE ROD 3/8 X 4		
7.	491604	LION CYL. TUBE 2 X 4		
8.	492667	LION ROD CAP 2.0X1.125 9/16ORB		
9.	803-014C	NUT HEX 3/8-16 PLT		
10.		SEAL C/R 11130 OIL	Only found in seal kit 19	
11.		SEAL 074-216 BU WASHER	Only found in seal kit 19	
12.		O-RING 326*DWG* 1 5/8 X 2" D90	Only found in seal kit 19	
13.	437208	LION ROD WLDMT 1 1/8X4 STROKE		
14.	134953	LION PIN		
15.	186561	LION PLUG 9/16-18UNF SOCKET HD		
16.	134952	LION PIN CLIP-CLEVIS		
17.		SEAL 073-133 BU WASHER	Only found in seal kit 19	
18.		O-RING 133 1 13/16" X 2" BUNA-N D90	Only found in seal kit 19	
19.	810-252C	SEAL KIT LN 639572 2.0BX1.125R		Rev. 2
19.	639572	RPBY 810-252C		Rev 1; Use up stock

Hydraulic Cylinder Double Acting EGY (810-125C)

Applies to HR3566, HR3572, HR3578, HR3584, HRL3572, HRL3578



10639

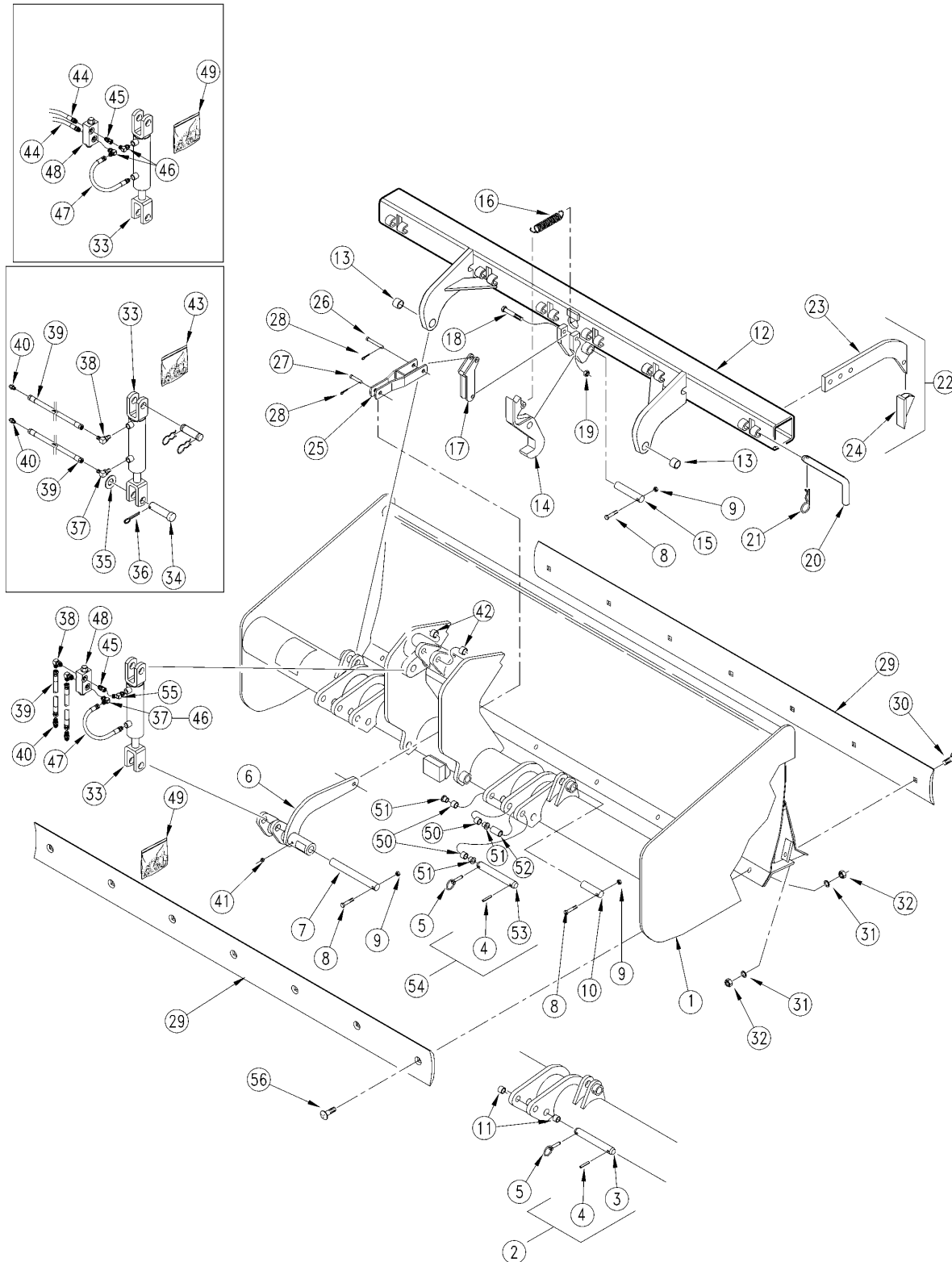
Hydraulic Cylinder Double Acting EGY (810-125C)

Applies to HR3566, HR3572, HR3578, HR3584, HRL3572, HRL3578

Ref	Part No.	Part Description	Comments	Revision
	dwg10639	Drawing Image Number		
	810-125C	CYL 2X4X1.12 ROD DBL ACTING		
1.	12171B	EGY CYL BODY 2 ID W/C		
2.	00080281	EGY NUT HEX JAM 7/8-14 UNF		
3.	810-132C	SEAL KIT 810-125C ENRGY 11888X		
4.	0A001845	EGY PISTON 2 DIA		
5.	11056B	EGY GUIDE 2 OD X 1 1/8 ID		
6.	0B007307-04.12	EGY ROD 1.125 DIA W/C		

Hydraulic Retractable Box Scraper

Applies to HR3566, HR3572, HR3578, HR3584, HRL3572, HRL3578



10617

Hydraulic Retractable Box Scraper**Applies to HR3566, HR3572, HR3578, HR3584, HRL3572, HRL3578**

Ref	Part No.	Part Description	Comments	Revision
	dwg10617	Drawing Image Number		
1.	305-015H	66 HYDRAULIC RETRACTABLE		
1.	305-015H85	66 HYDRAULIC RETRACTABLE BLACK		
1.	305-044H	72 HYD RETRACTABLE - LOWBACK		
1.	305-044H85	72 HYD RETRACTABLE - LOWBACK BLACK		
1.	305-044H82	72 HYD RETRACT - LOWBACK ORANGE		
1.	305-016H	72 HYDRAULIC RETRACTABLE		
1.	305-016H85	72 HYDRAULIC RETRACTABLE BLACK		
1.	305-016H82	72 HYD RETRACT ORANGE		
1.	305-045H	78 HYD RETRACTABLE - LOWBACK		
1.	305-045H85	78 HYD RETRACTABLE - LOWBACK BLACK		
1.	305-045H82	78 HYD RETRACT - LOWBACK ORANGE		
1.	305-017H	78 HYDRAULIC RETRACTABLE		
1.	305-017H85	78 HYDRAULIC RETRACTABLE BLACK		
1.	305-018H	84 HYDRAULIC RETRACTABLE		
1.	305-018H85	84 HYDRAULIC RETRACTABLE BLACK		
1.	305-018H82	84 HYD RETRACT ORANGE		
2.	303-017S	LOWER HITCH PIN 7/8 X 5 5/8	(S/N 252642-)	
3.	805-207C	PIN 7/8 OD X 4 15/32 USABLE	(S/N 252642-)	Rev. 2
3.	303-044D	RPBY 805-207C		Rev 1; Use up stock
4.	805-041C	PIN ROLL 1/4X1 3/4		
5.	805-015C	PIN LYNCH 5/16 X 1 3/4		
6.	305-012H	CYLINDER PIVOT TUBE		
6.	305-012H85	CYLINDER PIVOT TUBE BLACK		
6.	305-012H82	CYLINDER PIVOT TUBE ORANGE		
7.	305-054D	CYLINDER TUBE SHAFT		
8.	802-152C	HHCS 1/4-20X2 GR5		
9.	803-007C	NUT LOCK 1/4-20 PLT		
10.	305-056D	TOOL BAR UPPER PIVOT PIN		
11.	890-144C	BUSHING 1 1/8 X 7/8 X 5/8	(S/N 252642-)	
12.	305-005H	66 SHANK TUBE		
12.	305-005H85	66 SHANK TUBE BLACK		
12.	305-006H	72 SHANK TUBE		
12.	305-006H85	72 SHANK TUBE BLACK		
12.	305-006H82	72 SHANK TUBE ORANGE		
12.	305-007H	78 SHANK TUBE		
12.	305-007H85	78 SHANK TUBE BLACK		
12.	305-007H82	78 SHANK TUBE ORANGE		
12.	305-008H	84 SHANK TUBE		
12.	305-008H85	84 SHANK TUBE BLACK		
12.	305-008H82	84 SHANK TUBE ORANGE		
13.	890-143C	BUSHING HARDENED 1 1/4-1-3/4 L		
14.	305-057D	SHANK TUBE LOCK		
14.	305-057D85	SHANK TUBE LOCK BLACK		
14.	305-057D82	SHANK TUBE LOCK ORANGE		
15.	305-055D	TOOL BAR MAIN PIVOT PIN		
16.	807-043C	SPRING EXT LOCK ARM		
17.	305-013H	LIFT LINK		
17.	305-013H85	LIFT LINK BLACK		
17.	305-013H82	LIFT LINK ORANGE		
18.	802-042C	HHCS 1/2-13X3 3/4 GR5		
19.	803-019C	NUT LOCK 1/2-13 PLT		
20.	805-197C	PIN BENT SHANK LOCK 5/8 OD		Rev. 2
20.	303-038D	RPBY 805-197C		Rev 1; Use up stock
21.	805-032C	PIN HAIR COTTER .148 WIRE		
22.	820-151C	SCARIFIER SHANK - 16 W/TIP	(S/N 173469+)	Rev. 3
22.	820-048C	RPBY 820-151C	(S/N 173468-)	Rev 2; Use up stock
23.	820-053C	RPBY 820-048C		Rev. 1

Hydraulic Retractable Box Scraper (continued)

Applies to HR3566, HR3572, HR3578, HR3584, HRL3572, HRL3578

Ref	Part No.	Part Description	Comments	Revision
24.	820-153C	SHANK TIP DIMPLE-ON WIDE FLARE	(S/N 173469+)	Rev. 2 not compat. w/Rev. 1.
24.	820-050C	RPBY 820-153C	(S/N 173468-)	Rev. 1
25.	305-014H	CONNECT LINK		
25.	305-014H85	CONNECT LINK BLACK		
25.	305-014H82	CONNECT LINK ORANGE		
26.	805-127C	PIN CLEVIS 1/2 X 1 3/4		
27.	805-128C	PIN CLEVIS 1/2 X 2 3/4		
28.	805-045C	PIN COTTER 5/32 X 1 1/4 LG		
29.	820-042C	GRADER BLADE 1/2 X 6 X 65 1/2		
29.	820-043C	GRADER BLADE 1/2 X 6 X 71 1/2		
29.	820-045C	GRADER BLADE 1/2 X 6 X 77 1/2		
29.	820-046C	GRADER BLADE 1/2 X 6 X 83 1/2		
30.	802-206C	PLOW 5/8-11X1 3/4 GR5		
31.	804-022C	WASHER LOCK SPRING 5/8 PLT	S/N 499203*-	
32.	803-263C	NUT HEX FLANGE LOCK 5/8-11	S/N 499204+	
32.	803-021C	NUT HEX 5/8-11 PLT	S/N 499203-	
33.	810-125C	CYL 2X4X1.12 ROD DBL ACTING	(S/N 53001+)	Rev. 2 not compat. w/Rev. 1.
33.	810-101C	CYL 3X4X1.12 ROD	(S/N 53000-)	Rev. 1
34.	805-079C	PIN CLEVIS 1 X 3 11/16 PLT		
35.	804-029C	WASHER FLAT 1 SAE		
36.	805-017C	PIN COTTER 3/16 X 1 3/4 PLT		
37.	811-062C	OREL 1/32 9/16MJIC 9/16MORB	(S/N 53001<->234196) (S/N 393471+)	
38.	811-065C	EL 9/16MJIC 9/16MORB	(S/N 53001<->234196)	
39.	811-056C	HH1/4R2 045 9/16FJIC	(S/N 53001+)	Rev. 2 not compat. w/Rev. 1.
39.	811-275C	HH1/4R1 042 1/2MNPT 9/16MORB	(S/N 53000-)	Rev. 1
40.	811-133C	AD 9/16MJIC 3/4MORB	(S/N 53001+)	
41.	800-001C	GREASE ZERK STRAIGHT 1/4-28		
42.	890-619C	BUSHING,1 1/32X49/64X5/8 KNURL	(S/N 252643+)	Rev. 2 not compat. w/Rev. 1.
42.	890-352C	BUSHING 1 OD X 3/4 ID X 5/8 LG	(S/N 132928<->252642)	Rev. 1
43.	810-132C	SEAL KIT 810-125C ENRGY 11888X	(S/N 53001+)	
44.	811-065C	EL 9/16MJIC 9/16MORB	(S/N 234197+)	
45.	811-627C	AD 9/16MORB 9/16FJIC	(S/N 234197+) (S/N 53000-)	
46.	811-065C	EL 9/16MJIC 9/16MORB	(S/N 53000-) (S/N 234197+) (S/N 393470-)	
47.	811-277C	HH1/4R2 012 9/16MORB 9/16FJIC	(S/N 234197+) (S/N 53000-)	
48.	810-102C	VALVE CYLINDER CUSHION		
49.	810-112C	SEAL KIT 3 ENERGY A-2525	(S/N 53000-)	
50.	890-617C	BUSHING,1 1/2X1 5/32X5/8 KNURL	(S/N 252643+)	
51.	890-618C	BUSHING, 1 9/64ODX57/64IDX3/4	(S/N 252643+)	
52.	300-296D	BUSHING	(S/N 252643+)	
53.	805-359C	PIN 7/8 OD X 8.25 USABLE	(S/N 252643+)	
54.	305-071S	LWR HTCH PIN ASY 7/8DX8.25USBL	(S/N 252643+)	
55.	811-416C	EL 45 9/16MJIC 9/16MORB	(S/N 234198+)	
56.	802-288C	PLOW 5/8-11X2		

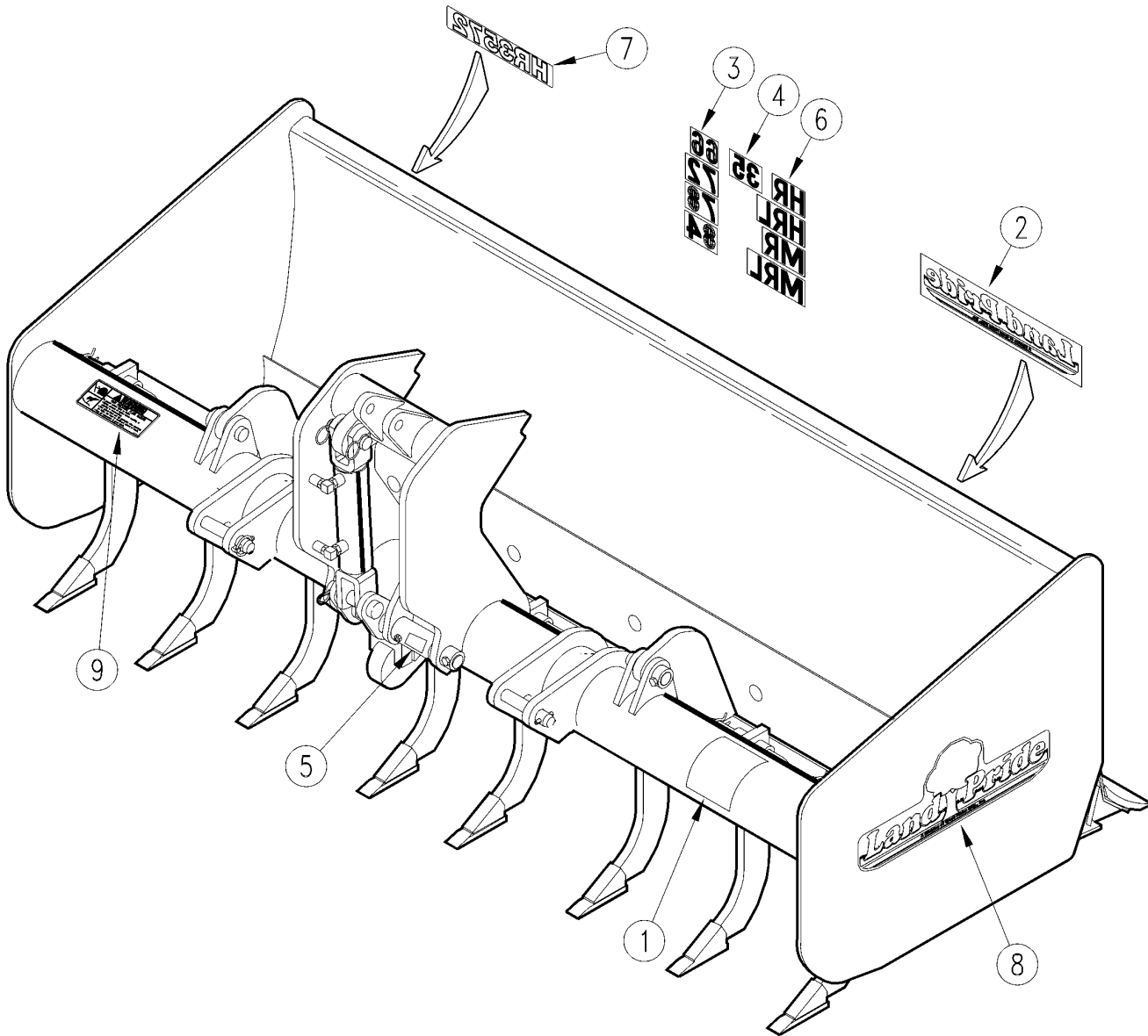
Hydraulic Retractable Box Scraper (continued)

Applies to HR3566, HR3572, HR3578, HR3584, HRL3572, HRL3578

This Page Intentionally Left Blank

Label Placement

Applies to HR3566, HR3572, HR3578, HR3584, HRL3572, HRL3578



Label Placement**Applies to HR3566, HR3572, HR3578, HR3584, HRL3572, HRL3578**

Ref	Part No.	Part Description	Comments	Revision
	dwg17567	Drawing Image Number		
	305-027A	MR3566 DECAL PACKAGE		
	305-032A	MR3572 DECAL PACKAGE		
	305-037A	MR3578 DECAL PACKAGE		
	305-042A	MR3584 DECAL PACKAGE		
	305-049A	HR3566 DECAL PACKAGE		
	305-050A	HR3572 DECAL PACKAGE		
	305-051A	HR3578 DECAL PACKAGE		
	305-052A	HR3584 DECAL PACKAGE		
	305-057A	HRL3572 DECAL PACKAGE		
	305-058A	HRL3578 DECAL PACKAGE		
	305-059A	MRL3572 DECAL PACKAGE		
	305-060A	MRL3578 DECAL PACKAGE		
1.	818-267C	DECAL CAUTION - BOX SCRAPER		
2.	818-901C	DECAL LANDPRIDE 16" - BROWN	(S/N 252286+) Beige Unit	Rev. 2 not compat. w/Rev. 1.
2.	838-965C	DECAL LANDPRIDE 16" BROWN/GOLD	Black Unit & Orange Unit	
2.	818-162C	LP LOGO LARGE GREEN	(S/N 252285-)	Rev. 1
3.	818-091C	DECAL 66 LP - BLACK	(S/N 252285-)	
3.	818-092C	DECAL 72 LP - BLACK	(S/N 252285-)	
3.	818-093C	DECAL 78 LP - BLACK	(S/N 252285-)	
3.	818-094C	DECAL 84 LP - BLACK	(S/N 252285-)	
4.	818-086C	DECAL 35 SERIES LP - BLACK	(S/N 252285-)	
5.	818-138C	DECAL GREASE EVERY 25 HOURS		
6.	818-733C	DECAL HR LAND PRIDE BLACK	(S/N 252285-)	
6.	818-734C	DECAL HRL LAND PRIDE BLACK	(S/N 252285-)	
6.	818-736C	DECAL MR LAND PRIDE BLACK	(S/N 252285-)	
6.	818-737C	DECAL MRL LAND PRIDE BLACK	(S/N 252285-)	
7.	838-015C	DECAL MR3572-BROWN	(S/N 252286+) Beige Unit	
7.	838-866C	DECAL MR3572-BEIGE	Black Unit	
7.	848-183C	DECAL MR3572-GOLD	Orange Unit	
7.	838-016C	DECAL MR3578-BROWN	(S/N 252286+) Beige Unit	
7.	838-867C	DECAL MR3578-BEIGE	Black Unit	
7.	838-017C	DECAL MR3584-BROWN	(S/N 252286+) Beige Unit	
7.	838-869C	DECAL MR3584-BEIGE	Black Unit	
7.	848-184C	DECAL MR3584-GOLD	Orange Unit	
7.	838-018C	DECAL HR3572-BROWN	(S/N 252286+) Beige Unit	
7.	838-870C	DECAL HR3572-BEIGE	Black Unit	
7.	848-185C	DECAL HR3572-GOLD	Orange Unit	
7.	838-019C	DECAL HR3584-BROWN	(S/N 252286+) Beige Unit	
7.	838-871C	DECAL HR3584-BEIGE	Black Unit	
7.	848-186C	DECAL HR3584-GOLD	Orange Unit	
7.	838-020C	DECAL MRL3566-BROWN	(S/N 252286+) Beige Unit	
7.	838-872C	DECAL MRL3566-BEIGE	Black Unit	
7.	838-021C	DECAL MRL3572-BROWN	(S/N 252286+) Beige Unit	
7.	838-873C	DECAL MRL3572-BEIGE	Black Unit	
7.	848-187C	DECAL MRL3572-GOLD	Orange Unit	
7.	838-022C	DECAL MRL3578-BROWN	(S/N 252286+) Beige Unit	
7.	838-874C	DECAL MRL3578-BEIGE	Black Unit	
7.	848-188C	DECAL MRL3578-GOLD	Orange Unit	
7.	838-023C	DECAL HRL3572-BROWN	(S/N 252286+) Beige Unit	
7.	838-857C	DECAL HRL3572-BEIGE	Black Unit	
7.	848-189C	DECAL HRL3572-GOLD	Orange Unit	
7.	838-024C	DECAL HRL3578-BROWN	(S/N 252286+) Beige Unit	
7.	838-876C	DECAL HRL3578-BEIGE	Black Unit	
7.	848-190C	DECAL HRL3578-GOLD	Orange Unit	
8.	818-895C	DECAL LP W/TREE 19" - 2 COLOR	(S/N 252286+) Beige Unit	Rev. 2 not compat. w/Rev. 1.
8.	838-964C	DECAL LP 16" W/TREE BROWN/GOLD	Black Unit & Orange Unit	
8.	818-162C	LP LOGO LARGE GREEN	(S/N 252285-)	Rev. 1

Label Placement (continued)

Applies to HR3566, HR3572, HR3578, HR3584, HRL3572, HRL3578

Ref	Part No.	Part Description	Comments	Revision
9.	838-094C	DECAL WARNING HYD PRESS LONG	(S/N 266622+)	

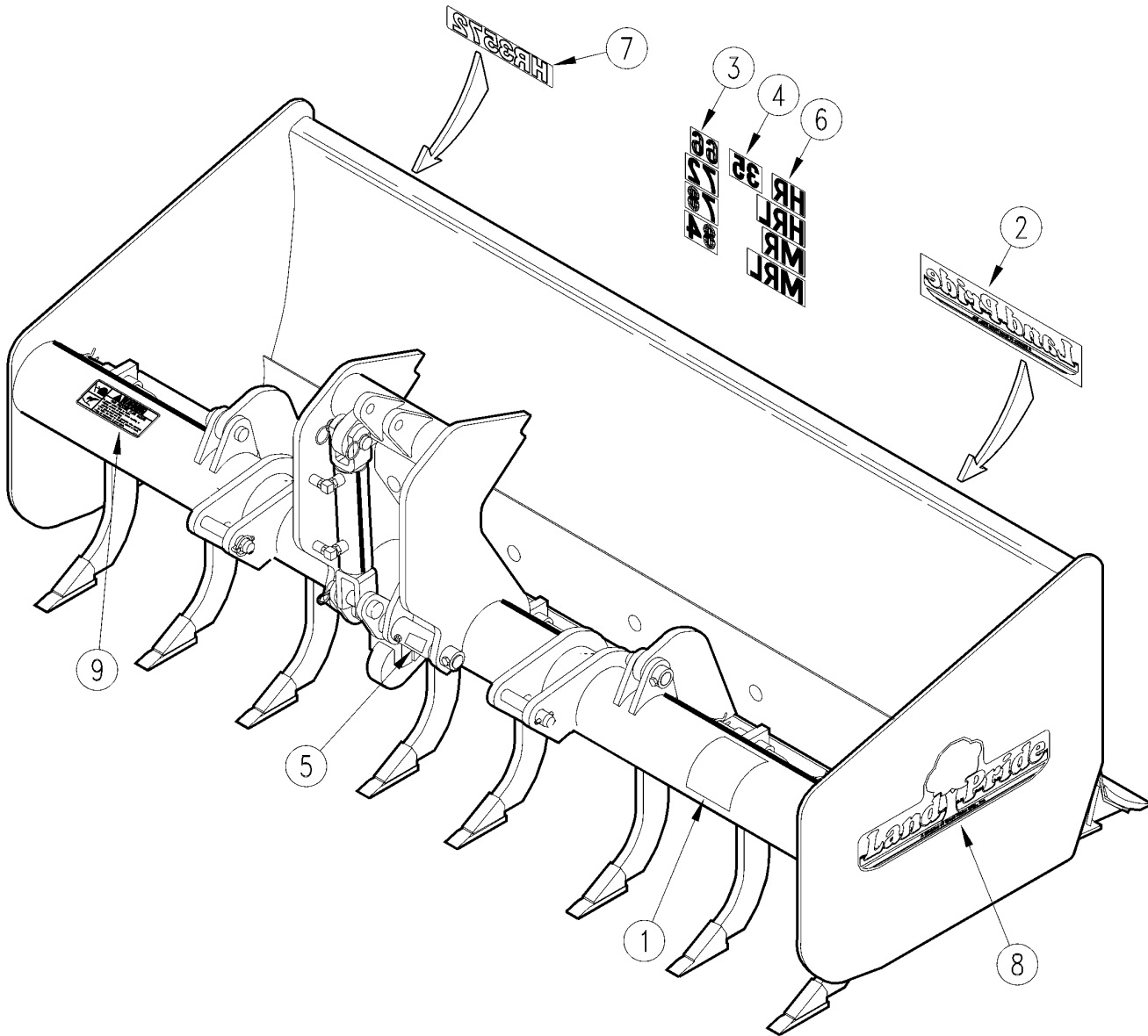
Label Placement (continued)

Applies to HR3566, HR3572, HR3578, HR3584, HRL3572, HRL3578

This Page Intentionally Left Blank

Label Placement

Applies to MR3566, MR3572, MR3578, MR3584, MRL3566, MRL3572, MRL3578



Label Placement**Applies to MR3566, MR3572, MR3578, MR3584, MRL3566, MRL3572, MRL3578**

Ref	Part No.	Part Description	Comments	Revision
	dwg17567	Drawing Image Number		
	305-027A	MR3566 DECAL PACKAGE		
	305-032A	MR3572 DECAL PACKAGE		
	305-037A	MR3578 DECAL PACKAGE		
	305-042A	MR3584 DECAL PACKAGE		
	305-049A	HR3566 DECAL PACKAGE		
	305-050A	HR3572 DECAL PACKAGE		
	305-051A	HR3578 DECAL PACKAGE		
	305-052A	HR3584 DECAL PACKAGE		
	305-057A	HRL3572 DECAL PACKAGE		
	305-058A	HRL3578 DECAL PACKAGE		
	305-059A	MRL3572 DECAL PACKAGE		
	305-060A	MRL3578 DECAL PACKAGE		
	818-267C	DECAL CAUTION - BOX SCRAPER		
1.	818-901C	DECAL LANDPRIDE 16" - BROWN	(S/N 252286+) Beige Unit	Rev. 2 not compat. w/Rev. 1.
2.	838-965C	DECAL LANDPRIDE 16" BROWN/GOLD	Black Unit & Orange Unit	
2.	818-162C	LP LOGO LARGE GREEN	(S/N 252285-)	Rev. 1
3.	818-091C	DECAL 66 LP - BLACK	(S/N 252285-)	
3.	818-092C	DECAL 72 LP - BLACK	(S/N 252285-)	
3.	818-093C	DECAL 78 LP - BLACK	(S/N 252285-)	
3.	818-094C	DECAL 84 LP - BLACK	(S/N 252285-)	
4.	818-086C	DECAL 35 SERIES LP - BLACK	(S/N 252285-)	
5.	818-138C	DECAL GREASE EVERY 25 HOURS		
6.	818-733C	DECAL HR LAND PRIDE BLACK	(S/N 252285-)	
6.	818-734C	DECAL HRL LAND PRIDE BLACK	(S/N 252285-)	
6.	818-736C	DECAL MR LAND PRIDE BLACK	(S/N 252285-)	
6.	818-737C	DECAL MRL LAND PRIDE BLACK	(S/N 252285-)	
7.	838-015C	DECAL MR3572-BROWN	(S/N 252286+) Beige Unit	
7.	838-866C	DECAL MR3572-BEIGE	Black Unit	
7.	848-183C	DECAL MR3572-GOLD	Orange Unit	
7.	838-016C	DECAL MR3578-BROWN	(S/N 252286+) Beige Unit	
7.	838-867C	DECAL MR3578-BEIGE	Black Unit	
7.	838-017C	DECAL MR3584-BROWN	(S/N 252286+) Beige Unit	
7.	838-869C	DECAL MR3584-BEIGE	Black Unit	
7.	848-184C	DECAL MR3584-GOLD	Orange Unit	
7.	838-018C	DECAL HR3572-BROWN	(S/N 252286+) Beige Unit	
7.	838-870C	DECAL HR3572-BEIGE	Black Unit	
7.	848-185C	DECAL HR3572-GOLD	Orange Unit	
7.	838-019C	DECAL HR3584-BROWN	(S/N 252286+) Beige Unit	
7.	838-871C	DECAL HR3584-BEIGE	Black Unit	
7.	848-186C	DECAL HR3584-GOLD	Orange Unit	
7.	838-020C	DECAL MRL3566-BROWN	(S/N 252286+) Beige Unit	
7.	838-872C	DECAL MRL3566-BEIGE	Black Unit	
7.	838-021C	DECAL MRL3572-BROWN	(S/N 252286+) Beige Unit	
7.	838-873C	DECAL MRL3572-BEIGE	Black Unit	
7.	848-187C	DECAL MRL3572-GOLD	Orange Unit	
7.	838-022C	DECAL MRL3578-BROWN	(S/N 252286+) Beige Unit	
7.	838-874C	DECAL MRL3578-BEIGE	Black Unit	
7.	848-188C	DECAL MRL3578-GOLD	Orange Unit	
7.	838-023C	DECAL HRL3572-BROWN	(S/N 252286+) Beige Unit	
7.	838-857C	DECAL HRL3572-BEIGE	Black Unit	
7.	848-189C	DECAL HRL3572-GOLD	Orange Unit	
7.	838-024C	DECAL HRL3578-BROWN	(S/N 252286+) Beige Unit	
7.	838-876C	DECAL HRL3578-BEIGE	Black Unit	
7.	848-190C	DECAL HRL3578-GOLD	Orange Unit	
8.	818-895C	DECAL LP W/TREE 19" - 2 COLOR	(S/N 252286+) Beige Unit	Rev. 2 not compat. w/Rev. 1.
8.	838-964C	DECAL LP 16" W/TREE BROWN/GOLD	Black Unit & Orange Unit	
8.	818-162C	LP LOGO LARGE GREEN	(S/N 252285-)	Rev. 1

Label Placement (continued)

Applies to MR3566, MR3572, MR3578, MR3584, MRL3566, MRL3572, MRL3578

Ref	Part No.	Part Description	Comments	Revision
9.	838-094C	DECAL WARNING HYD PRESS LONG	(S/N 266622+)	

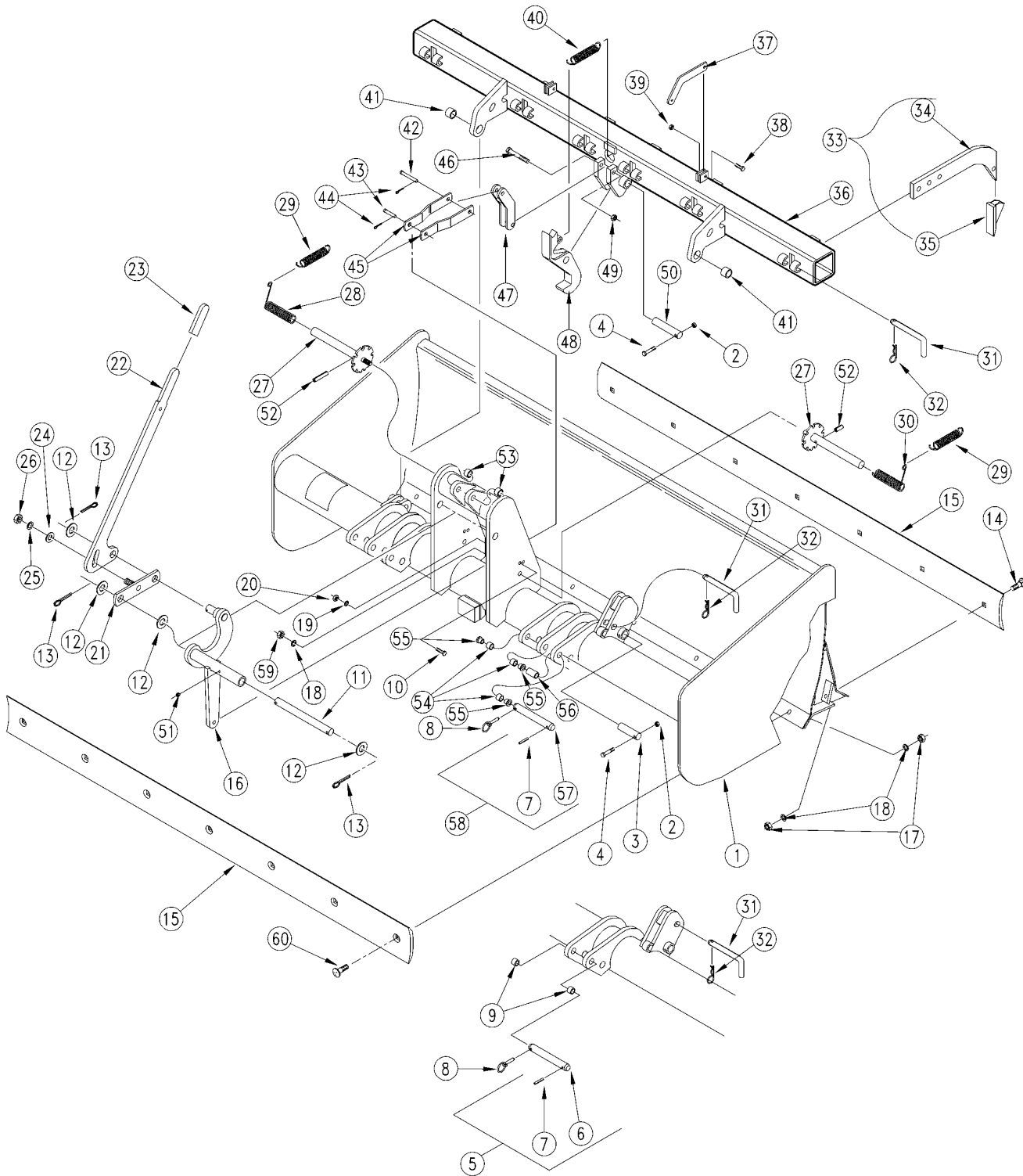
Label Placement (continued)

Applies to MR3566, MR3572, MR3578, MR3584, MRL3566, MRL3572, MRL3578

This Page Intentionally Left Blank

Manual Retractable Box Scraper

Applies to MR3566, MR3572, MR3578, MR3584, MRL3566, MRL3572, MRL3578



10655

Manual Retractable Box Scraper**Applies to MR3566, MR3572, MR3578, MR3584, MRL3566, MRL3572, MRL3578**

Ref	Part No.	Part Description	Comments	Revision
	dwg10655	Drawing Image Number		
1.	306-004H	66 MANUAL RETRACTABLE SCRAPER		
1.	306-004H85	66 MANUAL RETRACTABLE SCRAPER BLACK		
1.	306-019H	72 MANUAL RETRACTABLE LOWBACK		
1.	306-019H85	72 MANUAL RETRCT LOWBACK BLACK		
1.	306-019H82	72 MANUAL RETRCT LOWBACK ORANGE		
1.	306-005H	72 MANUAL RETRACTABLE SCRAPER		
1.	306-005H85	72 MANUAL RETRCT SCRAPER BLACK		
1.	306-005H82	72 MANUAL RETRCT SCPR ORANGE		
1.	306-020H	78 MANUAL RETRACTABLE LOWBACK		
1.	306-020H85	78 MANUAL RETRCT LOWBACK BLACK		
1.	306-020H82	78 MNL RETRCT LOWBACK ORANGE		
1.	306-006H	78 MANUAL RETRACTABLE SCRAPER		
1.	306-006H85	78 MANUAL RETRCT SCRAPER BLACK		
1.	306-007H	84 MANUAL RETRACTABLE SCRAPER		
1.	306-007H85	84 MANUAL RETRCT SCRAPER BLACK		
1.	306-007H82	84 MANUAL RETRCT SCPR ORANGE		
2.	803-007C	NUT LOCK 1/4-20 PLT		
3.	305-056D	TOOL BAR UPPER PIVOT PIN		
4.	802-152C	HHCS 1/4-20X2 GR5		
5.	303-017S	LOWER HITCH PIN 7/8 X 5 5/8	(S/N 252642-)	
6.	805-207C	PIN 7/8 OD X 4 15/32 USABLE	(S/N 252642-)	Rev. 2
6.	303-044D	RPBY 805-207C		Rev 1; Use up stock
7.	805-041C	PIN ROLL 1/4X1 3/4		
8.	805-015C	PIN LYNCH 5/16 X 1 3/4		
9.	890-144C	BUSHING 1 1/8 X 7/8 X 5/8	(S/N 252642-)	
10.	802-022C	HHCS 3/8-16X1 1/2 GR5		
11.	306-007D	HANDLE SHAFT		
12.	804-029C	WASHER FLAT 1 SAE		
13.	805-017C	PIN COTTER 3/16 X 1 3/4 PLT		
14.	802-206C	PLOW 5/8-11X1 3/4 GR5		
15.	820-042C	GRADER BLADE 1/2 X 6 X 65 1/2		
15.	820-043C	GRADER BLADE 1/2 X 6 X 71 1/2		
15.	820-045C	GRADER BLADE 1/2 X 6 X 77 1/2		
15.	820-046C	GRADER BLADE 1/2 X 6 X 83 1/2		
16.	306-024H	HANDLE PIVOT TUBE		
16.	306-024H85	HANDLE PIVOT TUBE BLACK	(S/N 53001+)	Rev. 2 not compat. w/Rev. 1.
16.	306-024H	HANDLE PIVOT TUBE ORANGE		
16.	306-001H	HANDLE PIVOT TUBE	(S/N 53000-)	Rev. 1
17.	803-263C	NUT HEX FLANGE LOCK 5/8-11	(S/N 499204+)	
17.	803-021C	NUT HEX 5/8-11 PLT	(S/N 499203-)	
18.	804-022C	WASHER LOCK SPRING 5/8 PLT	(S/N 234196-)	
19.	804-013C	WASHER LOCK SPRING 3/8 PLT	Replaced by 803-171C item 20	Rev 1; Use up stock
20.	803-171C	MAC-LOK 3/8-16 SUPER FLANGE		Rev. 2
20.	803-014C	NUT HEX 3/8-16 PLT		Rev 1; Use up stock
21.	306-025H	HANDLE BACKING PLATE WELDMENT	(S/N 53001+)	
21.	306-025H85	HANDLE BACKING PLATE WELDMENT BLACK		
21.	306-025H82	HANDLE BACKING PLT WMT ORANGE		
22.	306-022D	SLOTTED HANDLE	(S/N 53001+)	Rev. 2 not compat. w/Rev. 1.
22.	306-022D85	SLOTTED HANDLE BLACK		
22.	306-022D82	SLOTTED HANDLE ORANGE		
22.	306-018D	HANDLE	(S/N 53000-)	Rev. 1
23.	817-076C	HANDLE COVER 4 X 1 1/2 BLACK		
24.	804-024C	WASHER FLAT 3/4 USS PLT		
25.	804-023C	WASHER LOCK SPRING 3/4 PLT		
26.	803-027C	NUT HEX 3/4-10 PLT		
27.	306-026H	SPRING HOLDER SHAFT WELDMENT	(S/N 142683+)	Rev. 2
27.	306-026H85	SPRING HOLDER SHAFT WELDMENT BLACK		

Manual Retractable Box Scraper (continued)

Applies to MR3566, MR3572, MR3578, MR3584, MRL3566, MRL3572, MRL3578

Ref	Part No.	Part Description	Comments	Revision
27.	306-026H82	SPRING HOLDER SFT WMT ORANGE		
27.	306-003H	RPBY 306-026H	(S/N 142682-)	Rev 1; Use up stock
28.	807-052C	SPRING RH TORSION		
29.	807-050C	SPRING EXT 1 13/32 X 6 EXT		
30.	807-051C	SPRING LH TORSION		
31.	805-197C	PIN BENT SHANK LOCK 5/8 OD		Rev. 2
31.	303-038D	RPBY 805-197C		Rev 1; Use up stock
32.	805-032C	PIN HAIR COTTER .148 WIRE		
33.	820-151C	SCARIFIER SHANK - 16 W/TIP	(S/N 173469+)	Rev. 2
33.	820-048C	RPBY 820-151C	(S/N 173468-)	Rev 1; Use up stock
34.	820-053C	SHANK-16 LONG(OBRPLBY820-048C)	(S/N 173468-)	
35.	820-153C	SHANK TIP DIMPLE-ON WIDE FLARE	(S/N 173469+)	Rev. 2 not compat. w/Rev. 1.
35.	820-050C	RPBY 820-153C	(S/N 173468-)	Rev. 1
36.	306-008H	66 SHANK TUBE - MANUAL		
36.	306-008H85	66 SHANK TUBE - MANUAL BLACK		
36.	306-009H	72 SHANK TUBE - MANUAL		
36.	306-009H85	72 SHANK TUBE - MANUAL BLACK		
36.	306-009H82	72 SHANK TUBE - MANUAL ORANGE		
36.	306-010H	78 SHANK TUBE - MANUAL		
36.	306-010H85	78 SHANK TUBE - MANUAL BLACK		
36.	306-010H82	78 SHANK TUBE - MANUAL ORANGE		
36.	306-011H	84 SHANK TUBE - MANUAL		
36.	306-011H85	84 SHANK TUBE - MANUAL BLACK		
36.	306-011H82	84 SHANK TUBE - MANUAL ORANGE		
37.	306-027D	ANGLED SPRING TAB		
37.	306-027D85	ANGLED SPRING TAB BLACK		
38.	802-079C	HHCS 3/8-16X1 1/4 GR5		
39.	803-013C	NUT LOCK 3/8-16 PLT		
40.	807-043C	SPRING EXT LOCK ARM		
41.	890-143C	BUSHING HARDENED 1 1/4-1-3/4 L		
42.	805-127C	PIN CLEVIS 1/2 X 1 3/4		
43.	805-128C	PIN CLEVIS 1/2 X 2 3/4		
44.	805-045C	PIN COTTER 5/32 X 1 1/4 LG		
45.	306-009D	CONNECT LINK		
45.	306-009D85	CONNECT LINK BLACK		
45.	306-009D82	CONNECT LINK ORANGE		
46.	802-042C	HHCS 1/2-13X3 3/4 GR5		
47.	306-017H	SHANK BAR CONNECT LINK		
47.	306-017H85	SHANK BAR CONNECT LINK BLACK		
47.	306-017H82	SHANK BAR CONNECT LINK ORANGE		
48.	305-057D	SHANK TUBE LOCK		
48.	305-057D85	SHANK TUBE LOCK BLACK		
48.	305-057D82	SHANK TUBE LOCK ORANGE		
49.	803-019C	NUT LOCK 1/2-13 PLT		
50.	305-055D	TOOL BAR MAIN PIVOT PIN		
51.	800-080C	GREASE ZERK 1/4-28 THD FORMING		Rev. 2
51.	800-001C	GREASE ZERK STRAIGHT 1/4-28		Rev 1; Use up stock
52.	805-029C	PIN ROLL 5/16 X 2 1/4 PLT	(S/N 142683+)	
53.	890-619C	BUSHING,1 1/32X49/64X5/8 KNURL	(S/N 252643+)	Rev. 2 not compat. w/Rev. 1.
53.	890-352C	BUSHING 1 OD X 3/4 ID X 5/8 LG	(S/N 132928,->252642)	Rev. 1
54.	890-617C	BUSHING,1 1/2X1 5/32X5/8 KNURL	(S/N 252643+)	
55.	890-618C	BUSHING, 1 9/64ODX57/64IDX3/4	(S/N 252643+)	
56.	300-296D	BUSHING	(S/N 252643+)	
57.	805-359C	PIN 7/8 OD X 8.25 USABLE	(S/N 252643+)	
58.	305-071S	LWR HTCH PIN ASY 7/8DX8.25USBL	(S/N 252643+)	
59.	803-024C	NUT LOCK 5/8-11 PLT	(S/N 234197+)	Rev. 2
59.	803-021C	NUT HEX 5/8-11 PLT	(S/N 234196-)	Rev 1; Use up stock
60.	802-288C	PLOW 5/8-11X2		

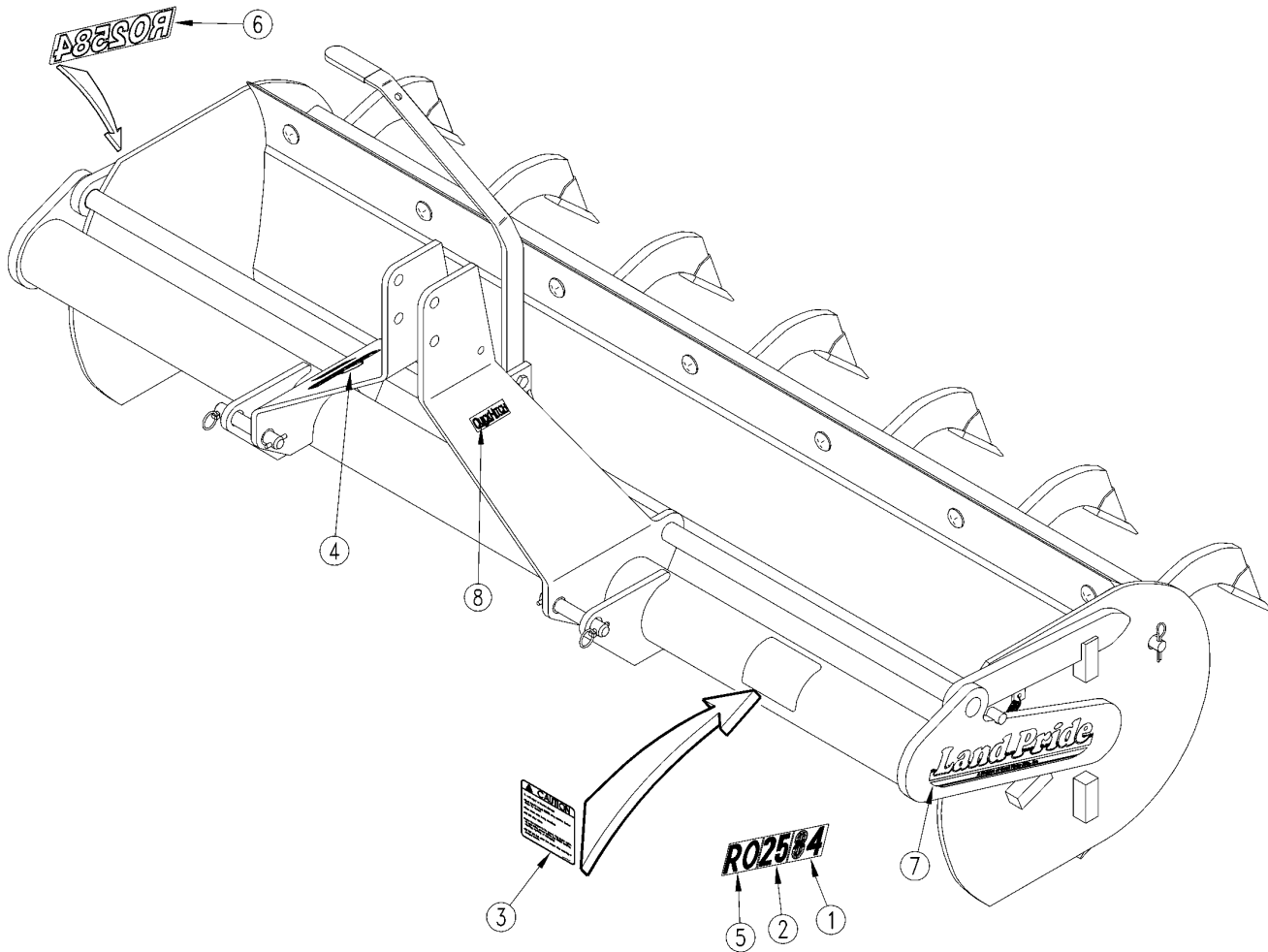
Manual Retractable Box Scraper (continued)

Applies to MR3566, MR3572, MR3578, MR3584, MRL3566, MRL3572, MRL3578

This Page Intentionally Left Blank

Label Placement

Applies to RO2560, RO2566, RO2572, RO2578, RO2584

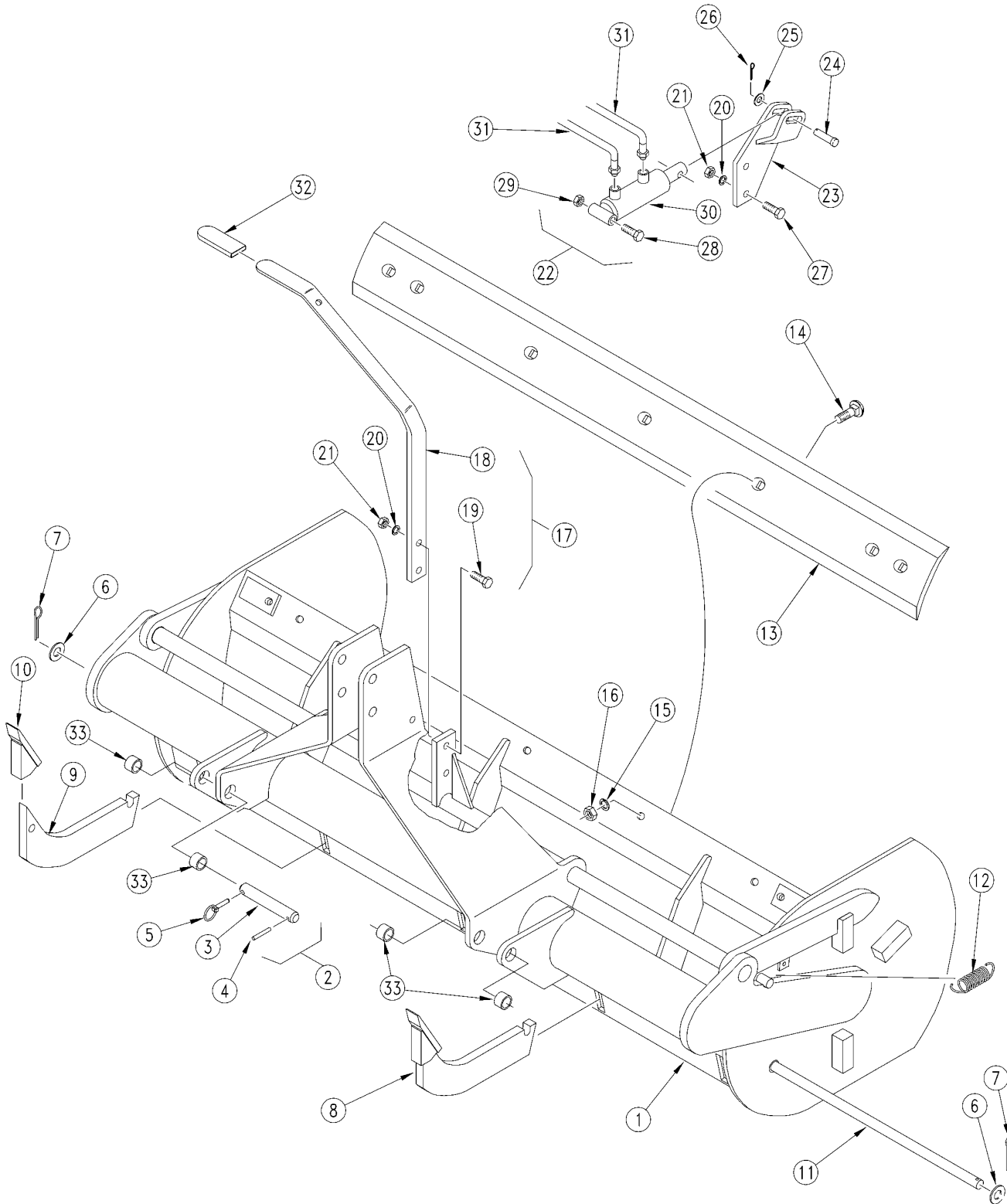


Label Placement**Applies to RO2560, RO2566, RO2572, RO2578, RO2584**

Ref	Part No.	Part Description	Comments	Revision
	dwg17568	Drawing Image Number		
	304-040A	RO2560 BUCKSKIN W/DECALS		
	304-018A	RO2566 BUCKSKIN W/DECALS		
	304-023A	RO2572 BUCKSKIN W/DECALS		
	304-028A	RO2578 BUCKSKIN W/DECALS		
	304-033A	RO2584 BUCKSKIN W/DECALS		
1.	818-090C	DECAL 60 LP - BLACK	(S/N 252458-)	
1.	818-091C	DECAL 66 LP - BLACK	(S/N 252458-)	
1.	818-092C	DECAL 72 LP - BLACK	(S/N 252458-)	
1.	818-093C	DECAL 78 LP - BLACK	(S/N 252458-)	
1.	818-094C	DECAL 84 LP - BLACK	(S/N 252458-)	
2.	818-085C	DECAL 25 SERIES LP - BLACK	(S/N 252458-)	
3.	818-267C	DECAL CAUTION - BOX SCRAPER		
4.	818-896C	DECAL LP W/TREE 6" - 2 COLOR	(S/N 252459+)	Rev. 2 not compat. w/Rev. 1.
4.	818-164C	LP LOGO SMALL GREEN	(S/N 252458-)	Rev. 1
5.	818-743C	DECAL RO LAND PRIDE BLACK	(S/N 252458-)	
6.	838-025C	DECAL RO2560-BROWN	(S/N 252459+)	
6.	838-026C	DECAL RO2566-BROWN	(S/N 252459+)	
6.	838-027C	DECAL RO2572-BROWN	(S/N 252459+)	
6.	838-028C	DECAL RO2578-BROWN	(S/N 252459+)	
6.	838-029C	DECAL RO2584-BROWN	(S/N 252459+)	
7.	818-899C	DECAL LANDPRIDE 13.25" - BROWN	(S/N 252459+)	
8.	838-517C	DECAL QUICK HITCH SYSTEM		

Rollover Box Scraper

Applies to RO2560, RO2566, RO2572, RO2578, RO2584



10641

Rollover Box Scraper**Applies to RO2560, RO2566, RO2572, RO2578, RO2584**

Ref	Part No.	Part Description	Comments	Revision
	dwg10641	Drawing Image Number		
1.	304-038H	60 ROLLOVER BOX SCRAPER		
1.	304-004H	66 ROLLOVER BOX SCRAPER		
1.	304-005H	72 ROLLOVER BOX SCRAPER		
1.	304-006H	78 ROLLOVER BOX SCRAPER		
1.	304-007H	84 ROLLOVER BOX SCRAPER		
2.	303-017S	LOWER HITCH PIN 7/8 X 5 5/8		
3.	805-207C	PIN 7/8 OD X 4 15/32 USABLE		Rev. 2
3.	303-044D	RPBY 805-207C		Rev 1; Use up stock
4.	805-041C	PIN ROLL 1/4X1 3/4		
5.	805-015C	PIN LYNCH 5/16 X 1 3/4		
6.	804-025C	WASHER FLAT 3/4 SAE PLT		
7.	805-017C	PIN COTTER 3/16 X 1 3/4 PLT		
8.	820-047C	SHANK SINGLE NOTCH W/TIP		
9.	820-052C	SINGLE NOTCH SHANK BAR		
10.	820-153C	SHANK TIP DIMPLE-ON WIDE FLARE	(S/N 173469+)	Rev. 2 not compat. w/Rev. 1.
10.	820-050C	RPBY 820-153C	(S/N 173468-)	Rev. 1
11.	304-042D	60 SHANK LOCK BAR		
11.	304-034D	66 SHANK LOCK BAR		
11.	304-035D	72 SHANK LOCK BAR		
11.	304-036D	78 SHANK LOCK BAR		
11.	304-037D	84 SHANK LOCK BAR		
12.	807-043C	SPRING EXT LOCK ARM		
13.	820-041C	GRADER BLADE 1/2 X 6 X 59 1/2		
13.	820-042C	GRADER BLADE 1/2 X 6 X 65 1/2		
13.	820-043C	GRADER BLADE 1/2 X 6 X 71 1/2		
13.	820-045C	GRADER BLADE 1/2 X 6 X 77 1/2		
13.	820-046C	GRADER BLADE 1/2 X 6 X 83 1/2		
14.	802-206C	PLOW 5/8-11X1 3/4 GR5		
15.	804-022C	WASHER LOCK SPRING 5/8 PLT		
16.	803-021C	NUT HEX 5/8-11 PLT		
17.	304-012A	MANUAL TRIP HANDLE BUNDLE		
18.	304-038D	MANUAL HANDLE		
19.	802-082C	HHCS 1/2-13X1 3/4 GR5		
20.	804-015C	WASHER LOCK SPRING 1/2 PLT		
21.	803-020C	NUT HEX 1/2-13 PLT		
22.	304-013A	HYDRAULIC CYLINDER TIP BUNDLE		
23.	304-034H	HYDRAULIC CYLINDER MTG LUG		
24.	805-128C	PIN CLEVIS 1/2 X 2 3/4		
25.	804-016C	WASHER FLAT 1/2 SAE PLT		
26.	805-045C	PIN COTTER 5/32 X 1 1/4 LG		
27.	802-091C	HHCS 1/2-13X1 1/2 GR5		
28.	802-044C	HHCS 1/2-13X4 GR5		
29.	803-019C	NUT LOCK 1/2-13 PLT		
30.	810-100C	CYL 1.5X1.5X1 ROD		
31.	811-275C	HH1/4R1 042 1/2MNPT 9/16MORB		
32.	817-076C	HANDLE COVER 4 X 1 1/2 BLACK		
33.	890-232C	BUSHING 1 1/8 X 7/8 X 1/2		Rev. 2
33.	890-144C	BUSHING 1 1/8 X 7/8 X 5/8		Rev 1; Use up stock



Part Number Index

The Part Number Index is a numeric index of all part numbers included in this manual. The index shows what page(s) the part is used on.

Part Number	Page	Part Number	Page	Part Number	Page	Part Number	Page
00080281	25	303-021A83	19	303-068A85	19	303-123H85	11
0A001845	25	303-021A84	19	303-069A	20	303-124H	11
0B007307-04.12	25	303-021A85	19	303-072H	11	303-124H81	11
11056B	25	303-022A	19	303-074A	15	303-124H82	11
12171B	25	303-022A81	19	303-075H	7	303-124H83	11
129090	23	303-022A82	19	303-075H82	7	303-124H84	11
134952	23	303-022A83	19	303-075H85	7	303-124H85	11
134953	23	303-022A84	19	303-077A	15	303-125H	11
186561	23	303-022A85	19	303-078A	15	303-125H81	11
300-296D	28, 40	303-023A	20	303-079A	15	303-125H82	11
303-001H	11	303-024A	20	303-080A	15	303-125H83	11
303-003H	11	303-025A	20	303-081A	15	303-125H84	11
303-004H	7	303-026A	20	303-084D	7, 12	303-125H85	11
303-004H82	7	303-027A	20	303-084D82	7	303-126H	11
303-004H85	7	303-032A	15	303-084D85	7	303-126H81	11
303-005H	7	303-032D	7	303-085D	7	303-126H82	11
303-005H82	7	303-033D	7	303-085D82	7	303-126H83	11
303-005H85	7	303-034D	7, 12	303-085D85	7	303-126H84	11
303-006H	19	303-036D	12	303-086D	7	303-126H85	11
303-006H81	19	303-037A	15	303-086D82	7	303-127H	11
303-006H82	19	303-037D	7, 12	303-086D85	7	303-127H81	11
303-006H83	20	303-038D	8, 12, 27, 40	303-089H	11	303-127H82	11
303-006H84	20	303-044D	7, 27, 39, 45	303-090H	11	303-127H83	11
303-006H85	20	303-047A	15	303-091H	11	303-127H84	11
303-007H	20	303-052A	15	303-092H	12	303-127H85	11
303-007H81	20	303-053H	11	303-093H	12	303-128H	11
303-007H82	20	303-054H	11	303-094H	7	303-128H81	11
303-007H83	20	303-055H	19	303-094H82	7	303-128H82	11
303-007H84	20	303-055H81	19	303-094H85	7	303-128H83	11
303-007H85	20	303-055H82	19	303-095H	7	303-128H84	11
303-008H	20	303-055H83	19	303-095H82	7	303-128H85	11
303-008H81	20	303-055H84	19	303-095H85	7	303-129H	11
303-008H82	20	303-055H85	19	303-096H	7	303-129H81	11
303-008H83	20	303-058A	19	303-096H82	7	303-129H82	11
303-008H84	20	303-058A81	19	303-096H85	7	303-129H83	11
303-008H85	20	303-058A82	19	303-097H	7	303-129H84	11
303-009H	20	303-058A83	19	303-097H82	7	303-129H85	11
303-009H81	20	303-058A84	19	303-097H85	7	303-130H	11
303-009H82	20	303-058A85	19	303-098H	7	303-130H81	12
303-009H83	20	303-059A	20	303-098H82	7	303-130H82	12
303-009H84	20	303-060H	7	303-098H85	7	303-130H83	12
303-009H85	20	303-060H82	7	303-121D	12	303-130H84	12
303-010H	20	303-060H85	7	303-121D81	12	303-130H85	12
303-010H81	20	303-061H	20	303-121D82	12	303-131H	12
303-010H82	20	303-061H81	20	303-121D83	12	303-131H81	12
303-010H83	20	303-061H82	20	303-121D84	12	303-131H82	12
303-010H84	20	303-061H83	20	303-121D85	12	303-131H83	12
303-010H85	20	303-061H84	20	303-122D	13	303-131H84	12
303-017S	7, 27, 39, 45	303-061H85	20	303-122D81	13	303-131H85	12
303-018A	19	303-063A	19	303-122D82	13	303-250H	12
303-018A81	19	303-063A81	19	303-122D83	13	303-250H81	12
303-018A82	19	303-063A82	19	303-122D84	13	303-250H82	12
303-018A83	19	303-063A83	19	303-122D85	13	303-250H83	12
303-018A84	19	303-063A84	19	303-122H	11	303-250H84	12
303-018A85	19	303-063A85	19	303-122H81	11	303-250H85	12
303-019A	19	303-064A	20	303-122H82	11	304-004H	45
303-019A81	19	303-065H	7	303-122H83	11	304-005H	45
303-019A82	19	303-065H82	7	303-122H85	11	304-006H	45
303-019A83	19	303-065H85	7	303-122H94	11	304-007H	45
303-019A84	19	303-066H	20	303-123D	13	304-012A	45
303-019A85	19	303-066H81	20	303-123D81	13	304-013A	45
303-020A	19	303-066H82	20	303-123D82	13	304-018A	43
303-020A81	19	303-066H83	20	303-123D83	13	304-023A	43
303-020A82	19	303-066H84	20	303-123D84	13	304-028A	43
303-020A83	19	303-066H85	20	303-123D85	13	304-033A	43
303-020A84	19	303-068A	19	303-123H	11	304-034D	45
303-020A85	19	303-068A81	19	303-123H81	11	304-034H	45
303-021A	19	303-068A82	19	303-123H82	11	304-035D	45
303-021A81	19	303-068A83	19	303-123H83	11	304-036D	45
303-021A82	19	303-068A84	19	303-123H84	11	304-037D	45

Table of Contents Part Number Index



Part Number Index (continued)

Part Number	Page	Part Number	Page	Part Number	Page	Part Number	Page
304-038D	45	306-007H85	39	803-024C	40	818-895C	31, 35
304-038H	45	306-008H	40	803-027C	7, 12, 39	818-896C	43
304-040A	43	306-008H85	40	803-171C	39	818-899C	43
304-042D	45	306-009D	40	803-236C	12	818-901C	15, 31, 35
305-005H	27	306-009D82	40	803-263C	8, 28, 39	820-035C	8, 20
305-005H85	27	306-009D85	40	804-013C	39	820-039C	12, 20
305-006H	27	306-009H	40	804-015C	45	820-040C	12, 20
305-006H82	27	306-009H82	40	804-016C	45	820-041C	8, 12, 20, 45
305-006H85	27	306-009H85	40	804-022C	21, 28, 39, 45	820-042C	8, 12, 20, 28, 39, 45
305-007H	27	306-010H	40	804-023C	7, 12, 39	820-043C	8, 12, 20, 28, 39, 45
305-007H82	27	306-010H82	40	804-024C	39	820-044C	7, 12
305-007H85	27	306-010H85	40	804-025C	45	820-045C	28, 39, 45
305-008H	27	306-011H	40	804-029C	28, 39	820-046C	8, 20, 28, 39, 45
305-008H82	27	306-011H82	40	805-015C	7, 12, 27, 39, 45	820-047C	45
305-008H85	27	306-011H85	40	805-017C	28, 39, 45	820-048C	27, 40
305-012H	27	306-011H85	40	805-029C	40	820-050C	8, 12, 28, 40, 45
305-012H82	27	306-017H	40	805-032C	8, 12, 27, 40	820-052C	45
305-012H85	27	306-017H82	40	805-041C	7, 12, 27, 39, 45	820-053C	27, 40
305-013H	27	306-017H85	40	805-045C	28, 40, 45	820-069C	12, 20
305-013H82	27	306-018D	39	805-079C	28	820-151C	27, 40
305-013H85	27	306-019H	39	805-081C	8, 13	820-152C	7, 12
305-014H	28	306-019H82	39	805-111C	12	820-153C	7, 12, 28, 40, 45
305-014H82	28	306-019H85	39	805-127C	28, 40	838-006C	15
305-014H85	28	306-020H	39	805-128C	28, 40, 45	838-007C	15
305-015H	27	306-020H82	39	805-197C	8, 12, 27, 40	838-008C	15
305-015H85	27	306-020H85	39	805-198C	12	838-009C	15
305-016H	27	306-022D	39	805-207C	7, 27, 39, 45	838-010C	15
305-016H82	27	306-022D82	39	805-359C	28, 40	838-011C	15
305-016H85	27	306-022D85	39	807-043C	27, 40, 45	838-012C	15
305-017H	27	306-024H	39	807-050C	40	838-013C	15
305-017H82	27	306-024H85	39	807-051C	40	838-014C	15
305-017H85	27	306-025H	39	807-052C	40	838-015C	31, 35
305-018H	27	306-025H82	39	810-100C	45	838-016C	31, 35
305-018H82	27	306-025H85	39	810-101C	28	838-017C	31, 35
305-018H85	27	306-026H	39	810-102C	28	838-018C	31, 35
305-027A	31, 35	306-026H82	40	810-125C	23, 25, 28	838-019C	31, 35
305-032A	31, 35	306-026H85	39	810-132C	25, 28	838-020C	31, 35
305-037A	31, 35	306-027D	40	810-252C	23	838-021C	31, 35
305-042A	31, 35	306-027D85	40	811-056C	28	838-022C	31, 35
305-044H	27	308-400D	7, 12	811-062C	28	838-023C	31, 35
305-044H82	27	310-020S	12	811-065C	28	838-024C	31, 35
305-044H85	27	310-074D	12	811-133C	28	838-025C	43
305-045H	27	322-010D	12	811-275C	28, 45	838-026C	43
305-045H82	27	437208	23	811-277C	28	838-027C	43
305-045H85	27	491604	23	811-416C	28	838-028C	43
305-049A	31, 35	492548	23	811-627C	28	838-029C	43
305-050A	31, 35	492667	23	817-076C	39, 45	838-094C	32, 36
305-051A	31, 35	492668	23	818-084C	15	838-517C	16, 43
305-052A	31, 35	492742	23	818-085C	15, 43	838-852C	15
305-054D	27	639572	23	818-086C	31, 35	838-853C	15
305-055D	27, 40	800-001C	28, 40	818-087C	15	838-854C	15
305-056D	27, 39	800-080C	40	818-088C	15	838-855C	15
305-057A	31, 35	802-022C	39	818-090C	15, 43	838-856C	15
305-057D	27, 40	802-042C	27, 40	818-091C	15, 31, 35, 43	838-857C	15, 31, 35
305-057D82	27, 40	802-044C	45	818-092C	15, 31, 35, 43	838-858C	15
305-057D85	27, 40	802-064C	7, 12	818-093C	31, 35, 43	838-859C	15
305-058A	31, 35	802-068C	7, 12	818-094C	15, 31, 35, 43	838-861C	15
305-059A	31, 35	802-069C	7, 12	818-099C	15	838-866C	31, 35
305-060A	31, 35	802-079C	40	818-138C	31, 35	838-867C	31, 35
305-071S	28, 40	802-082C	20, 45	818-162C	15, 16, 31, 35	838-869C	31, 35
306-001H	39	802-091C	45	818-164C	43	838-870C	31, 35
306-003H	40	802-152C	27, 39	818-168C	15	838-871C	31, 35
306-004H	39	802-206C	28, 39, 45	818-267C	15, 31, 35, 43	838-872C	31, 35
306-004H85	39	802-236C	20	818-725C	15	838-873C	31, 35
306-005H	39	802-288C	28, 40	818-733C	31, 35	838-874C	31, 35
306-005H82	39	802-813C	8, 12	818-734C	31, 35	838-876C	31, 35
306-005H85	39	803-007C	27, 39	818-736C	31, 35	838-927C	15
306-006H	39	803-013C	40	818-737C	31, 35	838-928C	15
306-006H85	39	803-014C	23, 39	818-743C	43	838-929C	15
306-007D	39	803-019C	20, 27, 40, 45	803-024C	40		
306-007H	39	803-020C	45	803-027C	7, 12, 39		
306-007H82	39	803-021C	21, 28, 39, 40, 45	803-236C	12		



Part Number Index (continued)

<u>Part Number</u>	<u>Page</u>
838-930C	15
838-964C	16, 31, 35
838-965C	15, 31, 35
848-178C	15
848-179C	15
848-180C	15
848-181C	15
848-182C	15
848-183C	31, 35
848-184C	31, 35
848-185C	31, 35
848-186C	31, 35
848-187C	31, 35
848-188C	31, 35
848-189C	31, 35
848-190C	31, 35
848-287C	15
848-288C	15
848-289C	15
890-143C	27, 40
890-144C	27, 39, 45
890-232C	45
890-352C	28, 40
890-617C	28, 40
890-618C	28, 40
890-619C	28, 40
dwg10617	27
dwg10639	25
dwg10641	45
dwg10655	39
dwg13565	23
dwg14241	19
dwg14621	7
dwg17566	15
dwg17567	31, 35
dwg17568	43
dwg22411	11

This Page Intentionally Left Blank



Great Plains Manufacturing, Inc.

Corporate Office: P.O. Box 5060
Salina, Kansas 67402-5060 USA

www.landpride.com

Free Manuals Download Website

<http://myh66.com>

<http://usermanuals.us>

<http://www.somanuals.com>

<http://www.4manuals.cc>

<http://www.manual-lib.com>

<http://www.404manual.com>

<http://www.luxmanual.com>

<http://aubethermostatmanual.com>

Golf course search by state

<http://golfingnear.com>

Email search by domain

<http://emailbydomain.com>

Auto manuals search

<http://auto.somanuals.com>

TV manuals search

<http://tv.somanuals.com>