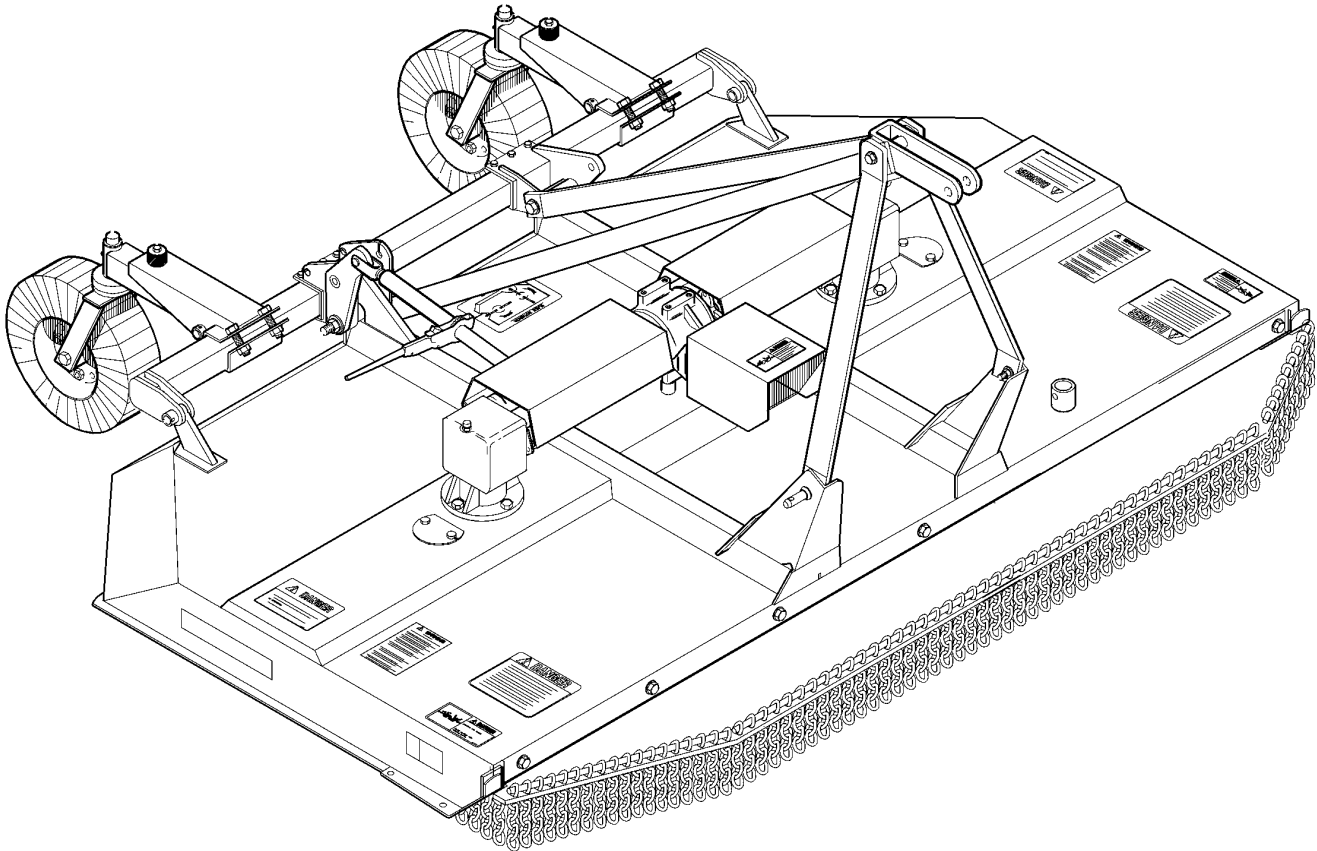


# Rotary Cutter

## RC15, RC25, RC35 & RC35120



10438

### **312-298P** **Parts Manual**



Read the Operator's manual entirely. When you see this symbol, the subsequent instructions and warnings are serious - follow without exception. Your life and the lives of others depend on it!

© Copyright 2007 Printed 11/07/07

Cover photo may show optional equipment not supplied with standard unit.





# Table of Contents

**Section 1: Introduction.....6**  
 Using This Manual.....6  
 Manual Replacement Information.....6  
 Manual Revisions.....6  
 Touch-up Paint.....6  
 Hardware Legend.....7  
 Replacement Hardware.....7  
 Serial Numbers.....7  
 Part Number Service Coding.....7

## RC(M)35 SERIES

**Section 2: Decks.....8**  
 Check Chain Kit.....8  
 Check Chain Kit.....10  
 Deck.....12  
 Deck.....14  
 Lift Type Cutter.....18  
 Lift Type Cutter Tailwheel.....20  
 Pull Type Rear Axle.....22  
 Pull Type Rear Axle Mount.....24  
 Pull Type Tailwheel.....26  
 Pull Type Tongue.....28  
 Skid Shoe Kit.....30  
 Skid Shoes.....32  
 Tailwheel.....34

**Section 3: Guards.....36**  
 Guard Front Safety Chain.....36  
 Guard Front Safety Chain.....38

**Section 4: Drivelines.....40**  
 Driveline (826-027C) Walterscheid.....40  
 Driveline (826-033C) Walterscheid.....42  
 Driveline (826-042C) Walterscheid.....44  
 Driveline CV Pull Type Cutter 1000 RPM (826-063C) Walterscheid.....46  
 Driveline CV Pull Type Cutter 540 RPM (826-053C) Walterscheid.....48  
 Driveline Flex Coupler Shaft (826-054C).....50  
 Driveline Lift Type Cutter 1000 RPM (826-061C) Walterscheid.....52  
 Driveline Lift Type Cutter 540 RPM (826-042C) Walterscheid.....54  
 Driveline Pull Type 1000 RPM (826-062C) Walterscheid.....56  
 Driveline Pull Type 540 RPM (826-052C) Walterscheid.....58  
 Driveline Slip Clutch (321166) Walterscheid.....60  
 Driveline Slip Clutch (321166) Walterscheid.....62  
 Driveline Slip Clutch (329219) Walterscheid.....64

**Section 5: Gearboxes.....66**  
 Gearbox (826-036C) OMNI.....66  
 Gearbox (826-037C) OMNI.....68

Gearbox (826-376C) Comer (Service Part Only).....70  
 Gearbox 1000 RPM (826-060C) OMNI.....72  
 Gearbox 540 RPM (826-035C) ITG.....74  
 Gearbox 540 RPM (826-035C) OMNI.....76  
 Gearbox, T-Box (826-040C).....78

**Section 6: Hydraulics.....80**  
 Cylinder Cross Hydraulic (810-162C).....80  
 Cylinder Lion Hydraulic (810-162C).....82  
 Cylinder Midway Hydraulic (810-162C).....84

**Section 6: Labels.....86**  
 Label Placement.....86

**Section 7: Labels.....88**  
 Label Placement.....88

## RC15 SERIES

**Section 2: Decks.....90**  
 Decks.....90  
 Tailwheel.....94

**Section 3: Guards.....96**  
 Guarding Front Safety Chain.....96  
 Guarding Front Safety Rubber.....98

**Section 4: Drivelines.....100**  
 Driveline (826-019C) Eurocardan.....100  
 Driveline (826-019C) Walterscheid.....102  
 Driveline (826-020C) Eurocardan.....104  
 Driveline (826-020C) Walterscheid.....106  
 Driveline (826-021C) Eurocardan.....108  
 Driveline (826-021C) Walterscheid.....110  
 Driveline (826-022C) Eurocardan (RC1572).....112  
 Driveline (826-022C) Walterscheid.....114  
 Driveline Slip Clutch (1344014) Eurocardan.....116  
 Driveline Slip Clutch (383172) Walterscheid.....118  
 Driveline Slip Clutch (384264) Walterscheid.....120

**Section 5: Gearboxes.....122**  
 Gearbox (826-018C) ITG.....122  
 Gearbox (826-018C) OMNI.....124  
 Gearbox (826-026C) ITG.....126  
 Gearbox (826-026C) OMNI.....128  
 Gearbox (826-383C) Comer (Service Only).....130  
 Gearbox (826-384C) Comer (Service Only).....132

**Section 6: Labels.....134**  
 Label Placement.....134

## RC25 SERIES

**Section 2: Decks.....136**  
 Deck 60 & 72.....136  
 Deck 72 Offset.....138  
 Deck 84.....140

© Copyright 2007. All rights reserved.

Land Pride provides this publication "as is" without warranty of any kind, either expressed or implied. While every precaution has been taken in the preparation of this manual, Land Pride assumes no responsibility for errors or omissions. Neither is any liability assumed for damages resulting from the use of the information contained herein. Land Pride reserves the right to revise and improve its products as it sees fit. This publication describes the state of this product at the time of its publication, and may not reflect the product in the future. The illustrations in this manual are not intended for safe and proper assembly or disassembly of equipment. The illustrations are intended for ordering parts only.

Land Pride is registered trademark.

All other brands and product names are trademarks or registered trademarks of their respective holders.

Printed in the United States of America.



## Table of Contents (continued)

---

Deck 84 Offset.....	142
Tailwheel.....	144
<b>Section 3: Guards.....</b>	<b>146</b>
Chain Kit.....	146
Guard Front Safety Chain.....	148
<b>Section 4: Drivelines.....</b>	<b>150</b>
Driveline (826-027C) Walterscheid.....	150
Driveline (826-033C) Walterscheid.....	152
Driveline (826-042C) Walterscheid.....	154
Driveline Slip Clutch (321166) Walterscheid.....	156
<b>Section 5: Gearboxes.....</b>	<b>158</b>
Gearbox (826-035C) ITG.....	158
Gearbox (826-035C) OMNI.....	160
Gearbox (826-038C) OMNI.....	162
Gearbox (826-376C) Comer (Service Only).....	164
<b>Section 6: Labels.....</b>	<b>166</b>
Label Placement.....	166
<b>Part Number Index.....</b>	<b>168</b>



# Alphabetized Table of Contents

## RC(M)35 SERIES

<b>C</b>	
Check Chain Kit.....	8
Check Chain Kit.....	10
Cylinder Cross Hydraulic (810-162C).....	80
Cylinder Lion Hydraulic (810-162C).....	82
Cylinder Midway Hydraulic (810-162C).....	84
<b>D</b>	
Deck.....	12
Deck.....	14
Driveline (826-027C) Walterscheid.....	40
Driveline (826-033C) Walterscheid.....	42
Driveline (826-042C) Walterscheid.....	44
Driveline CV Pull Type Cutter 1000 RPM (826-063C) Walterscheid.....	46
Driveline CV Pull Type Cutter 540 RPM (826-053C) Walterscheid.....	48
Driveline Flex Coupler Shaft (826-054C).....	50
Driveline Lift Type Cutter 1000 RPM (826-061C) Walterscheid.....	52
Driveline Lift Type Cutter 540 RPM (826-042C) Walterscheid.....	54
Driveline Pull Type 1000 RPM (826-062C) Walterscheid.....	56
Driveline Pull Type 540 RPM (826-052C) Walterscheid.....	58
Driveline Slip Clutch (321166) Walterscheid.....	60
Driveline Slip Clutch (321166) Walterscheid.....	62
Driveline Slip Clutch (329219) Walterscheid.....	64
<b>G</b>	
Gearbox (826-036C) OMNI.....	66
Gearbox (826-037C) OMNI.....	68
Gearbox (826-376C) Comer (Service Part Only).....	70
Gearbox 1000 RPM (826-060C) OMNI.....	72
Gearbox 540 RPM (826-035C) ITG.....	74
Gearbox 540 RPM (826-035C) OMNI.....	76
Gearbox, T-Box (826-040C).....	78
Guard Front Safety Chain.....	36
Guard Front Safety Chain.....	38
<b>L</b>	
Label Placement.....	86
Label Placement.....	88
Lift Type Cutter.....	18
Lift Type Cutter Tailwheel.....	20
<b>P</b>	
Pull Type Rear Axle.....	22
Pull Type Rear Axle Mount.....	24
Pull Type Tailwheel.....	26
Pull Type Tongue.....	28
<b>S</b>	
Skid Shoe Kit.....	30
Skid Shoes.....	32

<b>T</b>	
Tailwheel.....	34

## RC15 SERIES

<b>D</b>	
Decks.....	90
Driveline (826-019C) Eurocardan.....	100
Driveline (826-019C) Walterscheid.....	102
Driveline (826-020C) Eurocardan.....	104
Driveline (826-020C) Walterscheid.....	106
Driveline (826-021C) Eurocardan.....	108
Driveline (826-021C) Walterscheid.....	110
Driveline (826-022C) Eurocardan (RC1572).....	112
Driveline (826-022C) Walterscheid.....	114
Driveline Slip Clutch (1344014) Eurocardan.....	116
Driveline Slip Clutch (383172) Walterscheid.....	118
Driveline Slip Clutch (384264) Walterscheid.....	120
<b>G</b>	
Gearbox (826-018C) ITG.....	122
Gearbox (826-018C) OMNI.....	124
Gearbox (826-026C) ITG.....	126
Gearbox (826-026C) OMNI.....	128
Gearbox (826-383C) Comer (Service Only).....	130
Gearbox (826-384C) Comer (Service Only).....	132
Guarding Front Safety Chain.....	96
Guarding Front Safety Rubber.....	98

<b>L</b>	
Label Placement.....	134

<b>T</b>	
Tailwheel.....	94

## RC25 SERIES

<b>C</b>	
Chain Kit.....	146
<b>D</b>	
Deck 60 & 72.....	136
Deck 72 Offset.....	138
Deck 84.....	140
Deck 84 Offset.....	142
Driveline (826-027C) Walterscheid.....	150
Driveline (826-033C) Walterscheid.....	152
Driveline (826-042C) Walterscheid.....	154
Driveline Slip Clutch (321166) Walterscheid.....	156
<b>G</b>	
Gearbox (826-035C) ITG.....	158
Gearbox (826-035C) OMNI.....	160
Gearbox (826-038C) OMNI.....	162
Gearbox (826-376C) Comer (Service Only).....	164
Guard Front Safety Chain.....	148



## Alphabetized Table of Contents (continued)

---

<b>L</b>	
Label Placement.....	166
<b>T</b>	
Tailwheel.....	144

# General Information

## Using This Manual

This manual is divided into sections. The first section contains General Information. The remaining sections divide the machine into segments (i.e. Frames, Drives, Hydraulics, etc.) which illustrate and list all parts. A Parts Number Index is located at the back of the book.

The Land Pride parts in this manual are specially designed for this machine and should be replaced with Land Pride parts only.

The information in this manual is current at time of printing. Some parts may change to assure top performance.

Right-hand and left-hand as used in this manual are determined by facing the direction the machine will travel while in use.

Below is an example of two facing pages from a parts manual. Familiarize yourself with the type of information contained on these pages.

## Manual Replacement Information

Replacement manuals are available. Refer to our website at [www.landpride.com](http://www.landpride.com), the Land Pride Support Center CD or e-mail us at [lit@landpride.com](mailto:lit@landpride.com) for additional information. Our website continues to provide the most up-to-date manuals available.

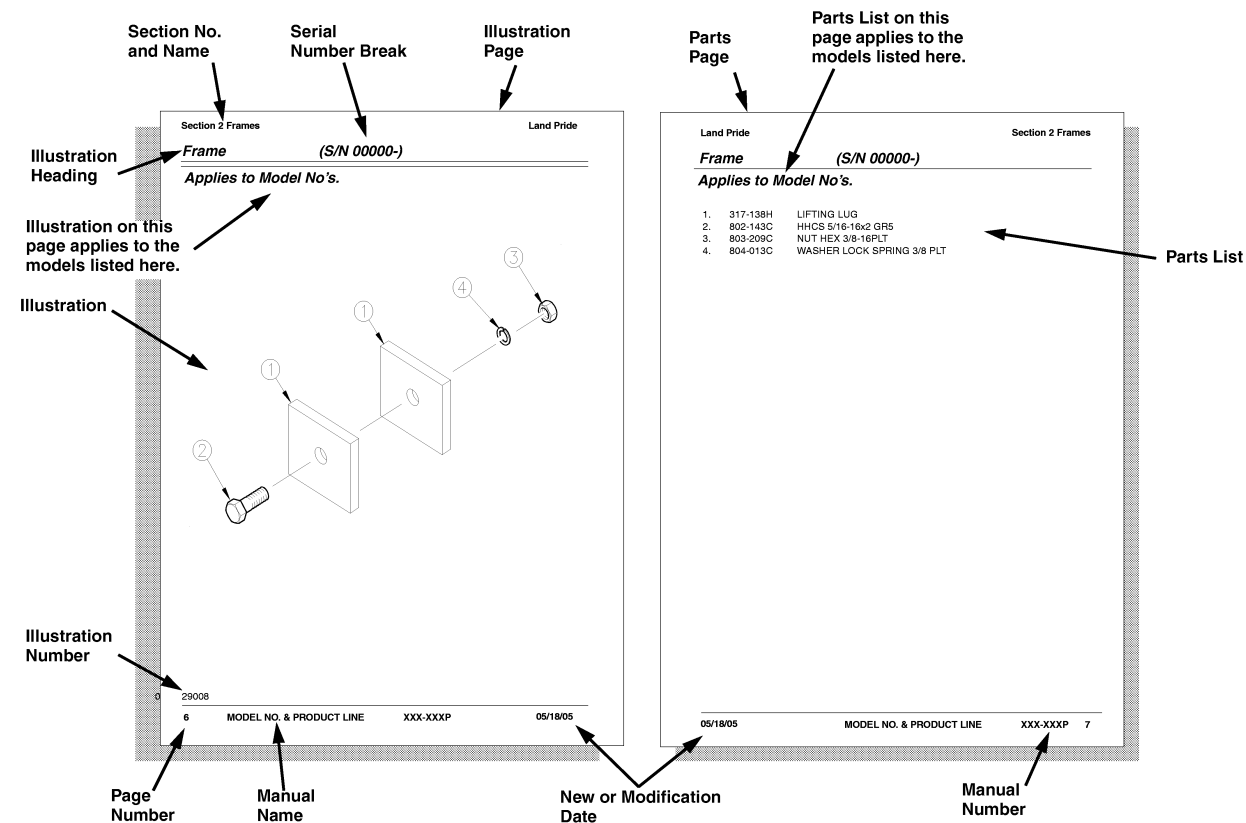
## Touch-up Paint

Repaint parts where paint is worn or scratched to prevent rust. Aerosol cans and touch-up bottles with brush applicator are available through your local dealer. Land Pride color descriptions and part numbers are listed below. Also available are quart and gallon size paints. Add QT or GL to end of the Aerosol P/N.

Color	Product <sup>1</sup>	Aerosol	Touch-Up
Gloss Black	LP	821-032C	821-032CTU
Medium Gloss Black	UV	821-053C	821-053CTU
Beige	LP	821-011C	821-011CTU
Green	SLP	821-058C	821-058CTU
Orange	SLP	821-066C	821-066CTU
Red	SLP/UV	821-054C	821-054CTU
Blue	SLP/UV	821-067C	821-067CTU
Dark Green Sparkle	UV	821-055C	821-055CTU
Gondo Forest Green	UV	821-057C	821-057CTU
Brite Yellow <sup>2</sup>	UV	821-056C	821-056CTU
Gondo Yellow <sup>3</sup>	UV	821-059C	821-059CTU

Notes:

- 1 LP = All Land Pride Products except Utility Vehicles  
SLP = Select Land Pride Products that are available in optional Green, Orange, Red, & Blue colors.  
UV = Utility Vehicles
- 2 Used on Trekers and (Runabouts with S/N 407628-)
- 3 Used on Gondos and (Runabouts with S/N 407629+)



# General Information

## Hardware Legend

AR	As Required
BLADE	Blade Bolt
C	Cap Screw
CP	Cotter Pin
CPHSSS	Cup Point Hex Socket Set Screw
CPSHSS	Cup Point Square Head Set Screw
CPSQHSS	Cup Point Square Head Set Screw
CRFCHMS3	Cross Recess Flat Countersunk Head Machine Screw
CRPHMS	Cross Recess Pan Head Machine Screw
CRPHTF	Cross Recess Pan Head Thread Forming
CRRHMS	Cross Recess Round Head Machine Screw
CRTHMS	Cross Recess Truss Head Machine Screw
CSNB	Countersunk Square Neck Bolt
FHMS	Flat Head Machine Screw
FTC	Full Thread Cap Screw
H	Hex Nut
HCLN	Hex Center Lock Nut
HFLCS	Hex Flange Lock Cap Screw
HFS	Hex Flange Screw
HFSLN	Hex Flange Serrated Lock Nut
HFSS	Hex Flange Serrated Screw
HHCS	Hex Head Cap Screw or Metric Bolt
HSBHCS	Hex Socket Button Head Cap Screw
HSFCHCS	Hex Socket Flat Countersunk Head Cap Screw
HSHCS	Hex Socket Head Cap Screw
HSSS	Hex Socket Head Screw
HTLN	Hex Top Lock Nut
HWHCS	Hex Washer Head Cap Screw

HWHMS	Hex Washer Head Machine Screw
HXBHCS	Hex Socket Button Head Cap Screw
J	Hex Jam Nut
JIC	37 Degree Tapered Thread
L	Helical Spring Lock Washer
LUG	Lug Bolt
NFC	National Fine Cap Screw
NPSM	National Pipe Straight Mechanical
NPTF	National Pipe Taper Fuel
P	Wide Plain Washer
PHMS	Pan Head Machine Screw
PLOW	Plow Bolt
RHMS	Round Head Machine Screw
RHSNB	Round Head Square Neck Bolt
SCREW LEVELING	Leveling Screw
SCREW THUMB	Thumb Screw
SCREW WELD	Weld Screw
SFCHMS	Slotted Flat Countersunk Head Machine Screw
SFHMS	Slotted Fillister Head Machine Screw
SP	Special
SP SCREW	Special Screw
SQHSS	Square Head Set Screw
SRHMS	Slotted Round Head Machine Screw
SSS	Socket Set Screw
STCS	Self Tapping Cap Screw
STHMS	Slotted Truss Head Machine Screw
WHEEL	Wheel Studs and Hub Long Bolts
WING	Wing Bolt

## Replacement Hardware

The **Hardware Legend** above lists hardware abbreviations used in the parts list. All bolts and nuts are Grade 5 unless otherwise noted. The use of improper grades of hardware can result in personal injury, damage to equipment, or loss of property.

## Colored Replacement Parts

Land Pride offers replacement parts in factory standard colors and also on select models in Green, Orange, Red and Blue. Because of the variety of colors available, special attention must be given to the part number to prevent ordering the wrong replacement part.

A suffix number corresponding to one of the colors below must be added at the end of Land Pride's part number when ordering a replacement part with that color.

- |                                   |                                 |
|-----------------------------------|---------------------------------|
| <b>81</b> . . . . . <b>Green</b>  | <b>83</b> . . . . . <b>Red</b>  |
| <b>82</b> . . . . . <b>Orange</b> | <b>84</b> . . . . . <b>Blue</b> |

For example, if you are ordering a replacement part with part number 555-555C and the part you need is red, then add the suffix 83 to the end of the number to make the part number read 555-555C83. Parts ordered without a suffix number will be supplied in factory standard colors.

## Black Replacement Parts

Some parts are factory standard black and some must be special ordered black. If your part is special ordered black, a second part number with the additional suffix number 85 on the end will be available. In this situation you must order that part with the suffix number for it to be black. Parts that are factory standard black will not have the suffix number.

## Part Number Service Coding

Within the parts list some part numbers are coded for revisions and interchangeability. See notations in revision column.

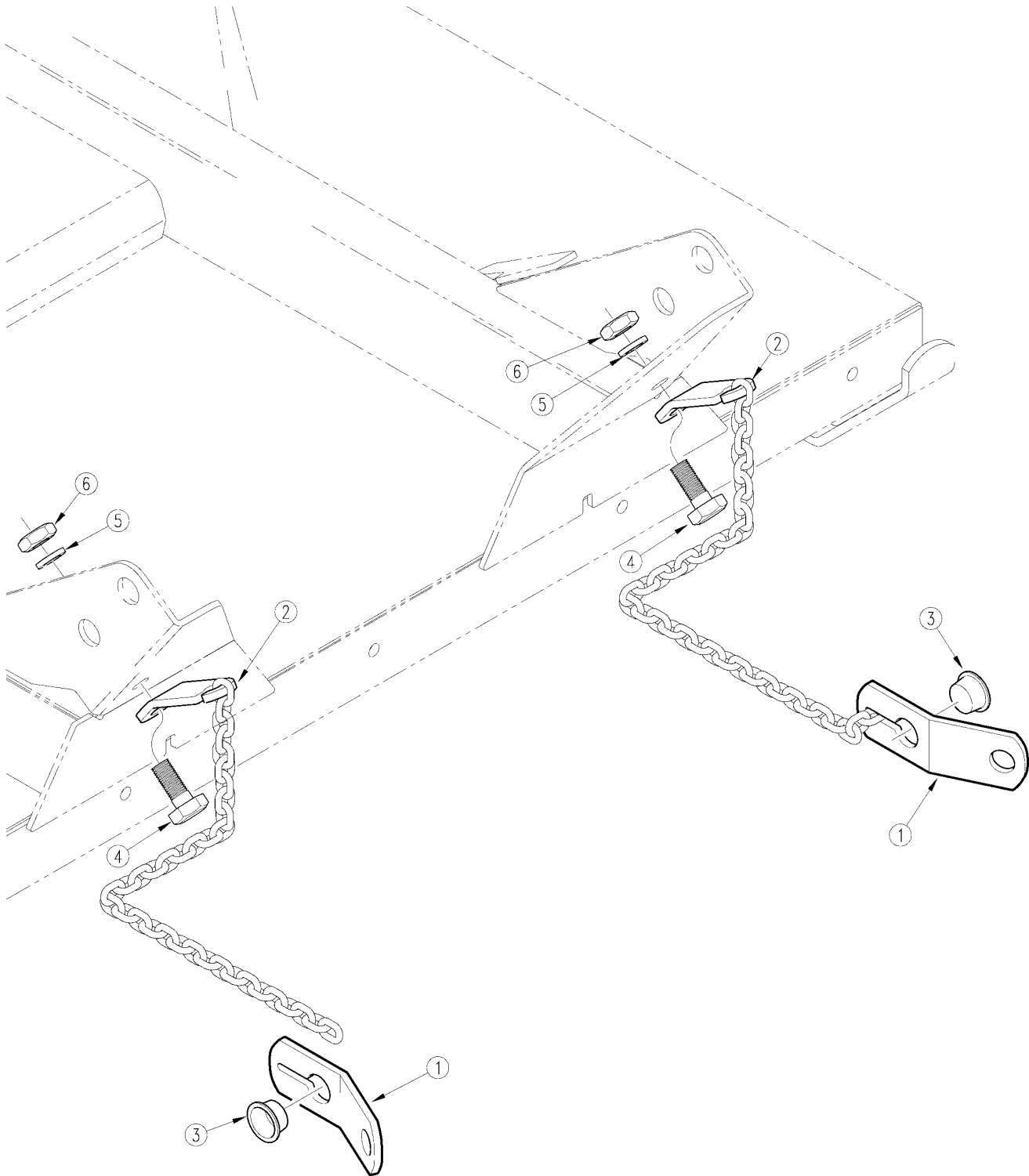
## Serial Numbers

Always use the serial and model number when ordering parts. Refer to the Operator's Manual for serial number plate location.

- |                      |                                                                  |
|----------------------|------------------------------------------------------------------|
| (S/N 20001+)         | Includes serial numbers 20001 and above (to the latest number)   |
| (S/N 10001 to 20000) | Includes serial numbers between and including 10001 and 20000    |
| (S/N 10000-)         | Includes serial numbers 10000 and below (to the earliest number) |

## Check Chain Kit

Applies to RC3560, RC3572, RC3584



10446



## Check Chain Kit

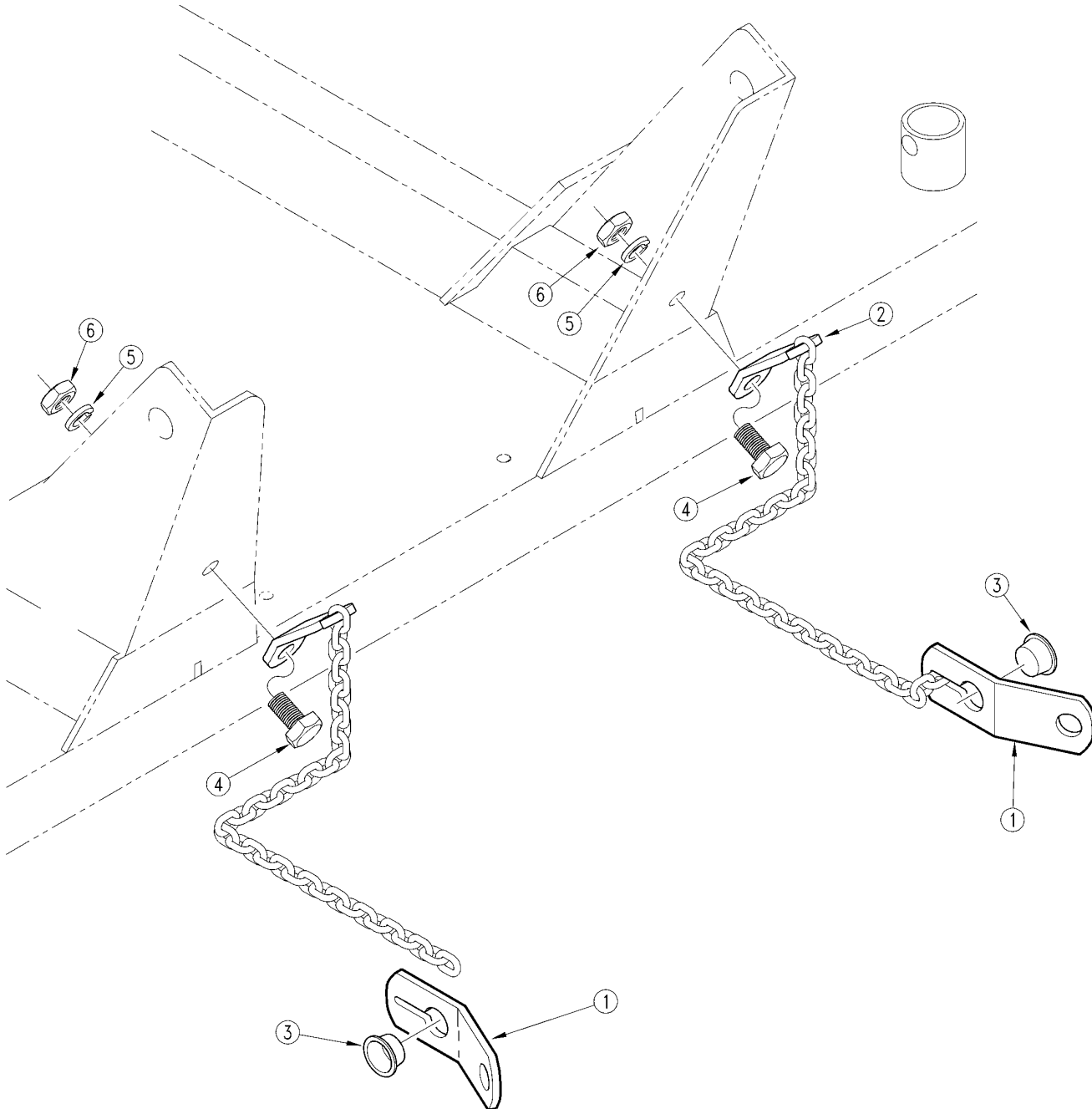
---

### Applies to RC3560, RC3572, RC3584

Ref	Part No.	Part Description	Comments	Revision
	dwg10446	Drawing Image Number		
	312-071A	CHECK CHAIN ASSY	Complete check chain kit	
1.	312-136D	CHECK CHAIN MT - TRACTOR		
2.	312-062H	CHECK CHAIN WLDM'T		
3.	817-057C	PLUG CAP 1 3/8 X 3/4		
4.	802-184C	HHCS 3/4-10X1 1/2 GR5		
5.	804-023C	WASHER LOCK SPRING 3/4 PLT		
6.	803-027C	NUT HEX 3/4-10 PLT		

### Check Chain Kit

Applies to RC35120, RCM35120



14821

## Check Chain Kit

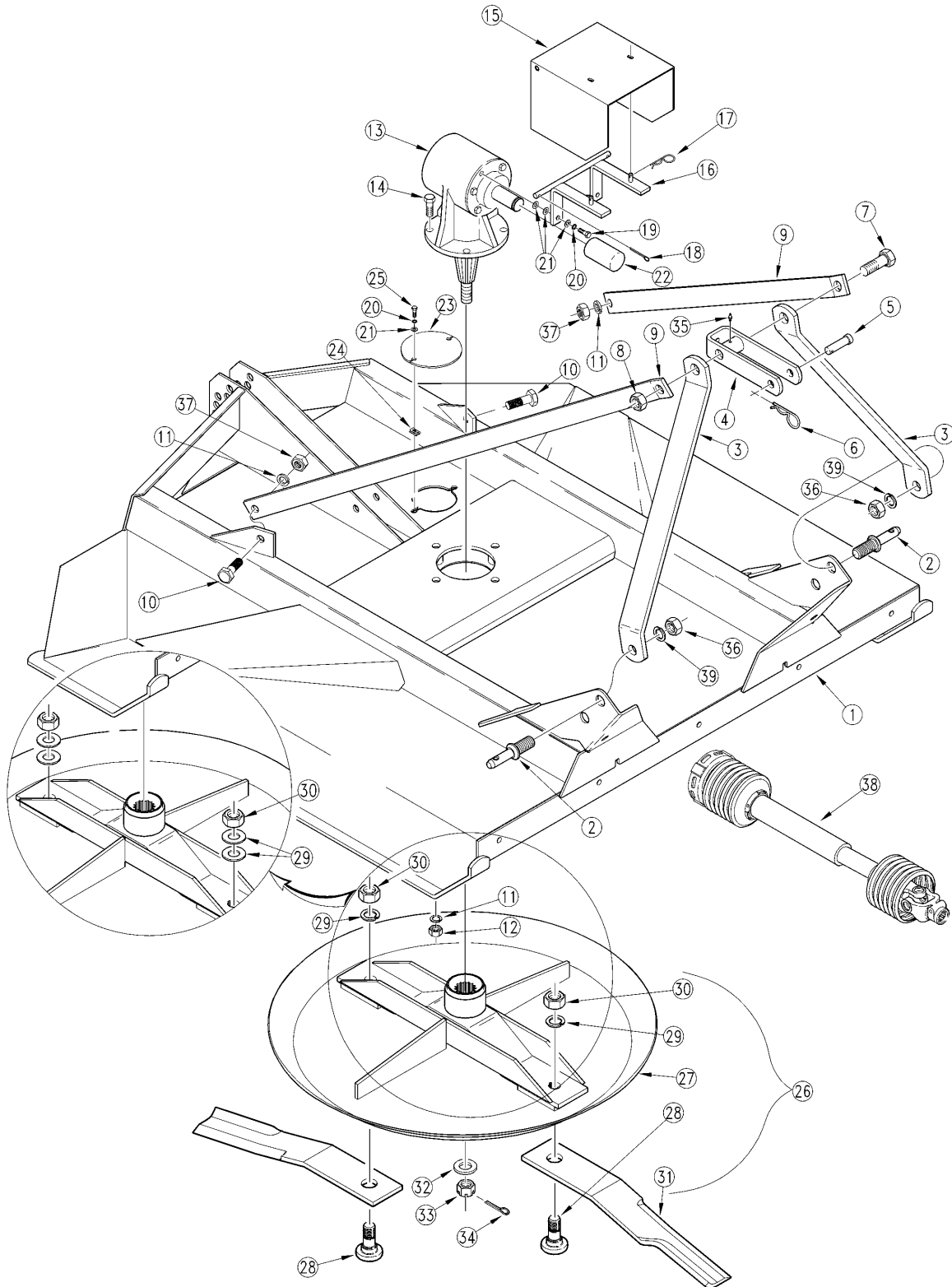
---

### Applies to RC35120, RCM35120

Ref	Part No.	Part Description	Comments	Revision
	dwg14821	Drawing Image Number		
	312-071A	CHECK CHAIN ASSY		
1.	312-136D	CHECK CHAIN MT - TRACTOR		
2.	312-062H	CHECK CHAIN WLDM'T		
3.	817-057C	PLUG CAP 1 3/8 X 3/4		
4.	802-184C	HHCS 3/4-10X1 1/2 GR5		
5.	804-023C	WASHER LOCK SPRING 3/4 PLT		
6.	803-027C	NUT HEX 3/4-10 PLT		

**Deck**

Applies to RC3560, RC3572, RC3584



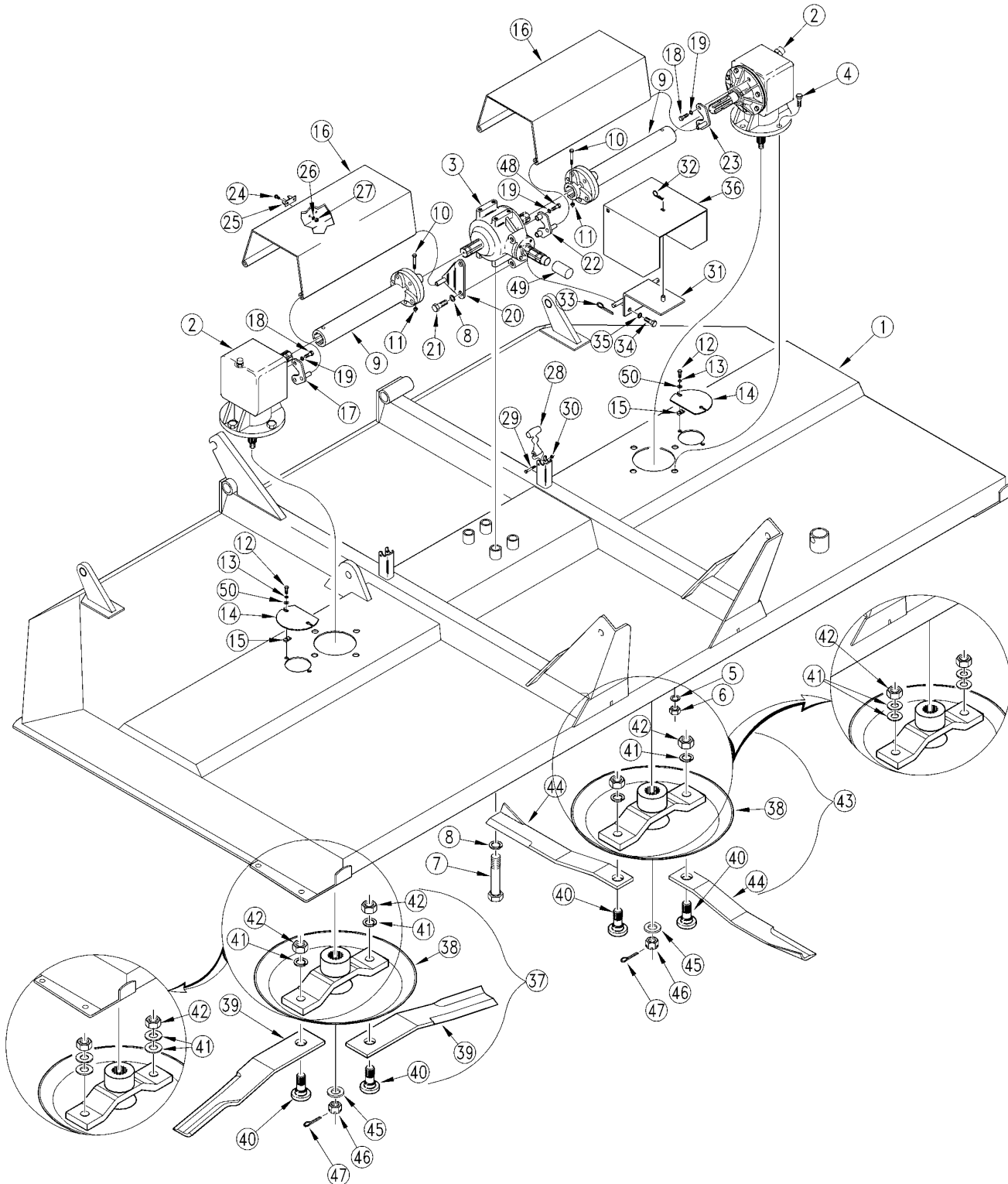
10459

**Deck****Applies to RC3560, RC3572, RC3584**

Ref	Part No.	Part Description	Comments	Revision
	dwg10459	Drawing Image Number		
1.	312-160H	RC3560 DECK WELDMENT		
1.	312-075H	RC3572 DECK WELDMENT		
1.	312-056H	RC3584 DECK WELDMENT		
2.	805-151C	PIN HITCH 1 1/8-12 X 5 3/4 HT		
3.	312-178D	HITCH STRAP RC35		
4.	312-069H	UPPER HITCH WLDM'T		
5.	805-090C	PIN CLEVIS 1 X 3 3/16 LG		
6.	805-088C	PIN, HAIR COTTER 3/16 WIRE DIA		
7.	802-074C	HHCS 1-8X6 1/2 GR5		
8.	803-038C	NUT HEX 1-8 NYLON INSERT PLT		
9.	312-255D	2560 HITCH BRACE		
9.	312-164D	HITCH BRACE-6'		
9.	312-118D	HITCH BRACE-7'		
10.	802-064C	HHCS 3/4-10X2 GR5		
11.	804-023C	WASHER LOCK SPRING 3/4 PLT		
12.	803-025C	NUT HEX 3/4-10 PLT NYLOCK		
13.	826-037C	GEARBOX RC81SS 1:1.46 INCREASE		
13.	826-036C	GEARBOX RC81SS 1:1.21 INCREASR		
14.	802-068C	HHCS 3/4-10X4 GR5		
15.	312-180D	GEARBOX SHIELD		
16.	312-061H	GEARBOX COVER HINGE WLDM'T		
17.	805-010C	PIN HAIR COTTER .094		
18.	805-069C	PIN COTTER 3/16 X 1		
19.	802-022C	HHCS 3/8-16X1 1/2 GR5		
20.	804-013C	WASHER LOCK SPRING 3/8 PLT		
21.	804-012C	WASHER FLAT 3/8 SAE PLT		
22.	817-050C	GEARBOX SHAFT PROTECTOR		
23.	312-129D	ACCESS COVER		
24.	800-083C	U-TYPE FASTENER 3/8-16		
25.	802-017C	HHCS 3/8-16X1 GR5		
26.	312-164S	3560 BLADE CARRIER ASSY		
26.	312-085S	6'BLADE CARRIER ASSY		
26.	312-066S	7' BLADE CARRIER ASSY		
27.	312-063H	25" ROUND DISHPAN WELDMENT		
28.	802-277C	BLADE BOL 1 1/8-12X3 7/16 W/KY		
29.	804-147C	WASHER FLAT 1 HARD ASTMF436 PN	(S/N 176181+)	Rev. 2 not compat. w/Rev. 1
29.	804-067C	WASHER LOCK 1 1/8	(S/N 176180-)	Rev. 1
30.	803-170C	NUT HEX LOCK 1 1/8-12 STA GR C		
31.	820-065C	CUTTER BLADE 1/2 X3X18 3/4 CCW	RCR3560 Quantity 2 per cutter	
31.	820-067C	CUTTER BLADE 1/2X3X24.5 CCW LL	RCR3572 Quantity 2 per cutter	
31.	820-066C	CUTTER BLADE 1/2 X3X30 1/2 CCW	RCR3584 Quantity 2 per cutter	
32.	804-070C	FLAT WASHER 1" SPECIAL		
33.	803-095C	NUT HEX SLOTTED 1-14		
34.	805-017C	PIN COTTER 3/16 X 1 3/4 PLT		
35.	800-080C	ZERK GREASE 1/4-28 THD FORMING		
36.	803-162C	NUT HEX 1 1/8-12 PLT		
37.	803-027C	NUT HEX 3/4-10 PLT		
38.	826-042C	PTO 3510 & 2560 SLIP CLUTCH)		
38.	826-033C	PTO 2400X35.8 SLIP CLUTCH)		
38.	826-027C	PTO 2400 X 43.7 SLIP CLUTCH		
39.	804-067C	WASHER LOCK 1 1/8		

**Deck**

Applies to RC35120, RCM35120



13190

**Deck****Applies to RC35120, RCM35120**

Ref	Part No.	Part Description	Comments	Revision
	dwg13190	Drawing Image Number		
1.	312-088H	RC35120 DECK WELDMENT		
2.	826-035C	GEARBOX RC61SS 1:1.46 INCREASE	540 RPM (Both boxes must be replaced when switching to Comer style box)	
2.	826-060C	GEARBOX RC61SS 1.21:1 REDUC	1000 RPM (Both boxes must be replaced when switching to Comer style box)	
3.	826-040C	T-BOX RC 61T 1:1 SPLINED		
4.	802-068C	HHCS 3/4-10X4 GR5		
5.	804-023C	WASHER LOCK SPRING 3/4 PLT		
6.	803-025C	NUT HEX 3/4-10 PLT NYLOCK		
7.	802-116C	HHCS 5/8-11X6 GR5		
8.	804-022C	WASHER LOCK SPRING 5/8 PLT		
9.	826-054C	PTO FLEX COUPLER-2 DISC		
10.	802-131C	HHSC 5/16-18X3 GR5		
11.	803-011C	NUT LOCK 5/16-18 PLT		
12.	802-159C	HHCS 5/16-18X1 GR5		
13.	804-009C	WASHER LOCK SPRING 5/16 PLT		
14.	312-459D	ACCESS COVER - BLADE BOLT		
15.	800-086C	U-TYPE FASTENER 5/16-18 (N/A)	(S/N 65279-) Not available	
16.	312-266D	COVER		
17.	312-142H	COVER PIVOT WELDMENT RH		
18.	802-079C	HHCS 3/8-16X1 1/4 GR5		
19.	804-013C	WASHER LOCK SPRING 3/8 PLT		
20.	312-143H	ANGLED COVER PIVOT WLDMNT		
21.	802-050C	HHCS 5/8-11X1 1/4 GR5		
22.	312-144H	COVER PIVOT WLDMT W/SPACERS		
23.	312-141H	COVER PIVOT WELDMENT LH		
24.	801-003C	SCREW RD HD SLT 10-24X1/2 PLT		
25.	890-016C	HOOD BRACKET		
26.	804-004C	WASHER INTERNAL STAR #10 PLT		
27.	803-001C	NUT HEX 10-24 PLT		
28.	816-008C	RUBBER LID LATCH		
29.	802-152C	HHCS 1/4-20X2 GR5		
30.	803-007C	NUT LOCK 1/4-20 PLT		
31.	312-140H	GEARBOX COVER HINGE WLDMT		
32.	805-010C	PIN HAIR COTTER .094		
33.	805-069C	PIN COTTER 3/16 X 1		
34.	802-128C	HHCS 1/2-13X2 GR5		
35.	804-015C	WASHER LOCK SPRING 1/2 PLT		
36.	312-273D	GEARBOX SHIELD		
37.	312-097S	120 CW BLADE CARRIER ASSY		
38.	312-086E	13" RND DISHPAN WLDMNT 1.5" OS		
39.	820-127C	CUTTER BLADE 1/2 X 4 X 27 CW	(S/N 121938+) Quantity 2 per cutter	Rev. 2
39.	820-076C	RPBY 820-127	(S/N 121937-)	Rev 1; Use up stock
40.	802-277C	BLADE BOL 1 1/8-12X3 7/16 W/KY		
41.	804-147C	WASHER FLAT 1 HARD ASTMF436 PN	(S/N 176181+)	Rev. 2 not compat. w/Rev. 1
41.	804-067C	WASHER LOCK 1 1/8	(S/N 176180-)	Rev. 1
42.	803-170C	NUT HEX LOCK 1 1/8-12 STA GR C		
43.	312-098S	120 CCW BLADE CARRIER ASSY		
44.	820-128C	CUTTER BLADE 1/2 X 4 X 27 CCW	(S/N 121938+) Quantity 2 per cutter	Rev. 2
44.	820-075C	RPBY 820-128	(S/N 121937-)	Rev 1; Use up stock
45.	804-070C	FLAT WASHER 1" SPECIAL		
46.	803-095C	NUT HEX SLOTTED 1-14		
47.	805-017C	PIN COTTER 3/16 X 1 3/4 PLT		
48.	802-114C	HHCS 3/8-16X2 1/2 GR5		
49.	817-050C	GEARBOX SHAFT PROTECTOR	(S/N 216031-)	

***Deck (continued)***

---

**Applies to RC35120, RCM35120**

<b>Ref</b>	<b>Part No.</b>	<b>Part Description</b>	<b>Comments</b>	<b>Revision</b>
50.	804-010C	WASHER FLAT 5/16 USS PLT		



***Deck (continued)***

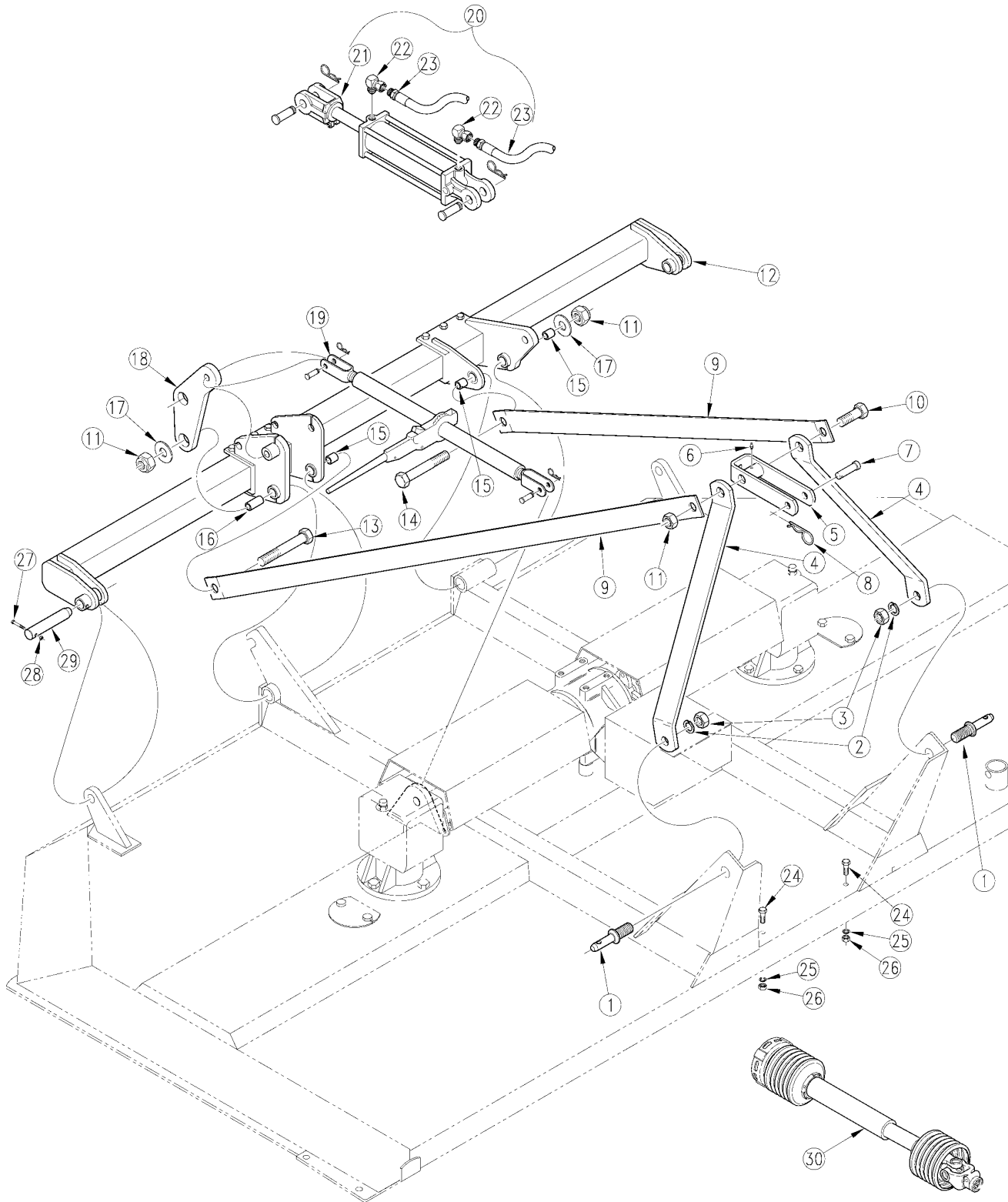
---

Applies to RC35120, RCM35120

***This Page Intentionally Left Blank***

***Lift Type Cutter***

**Applies to RC35120, RCM35120**



10442

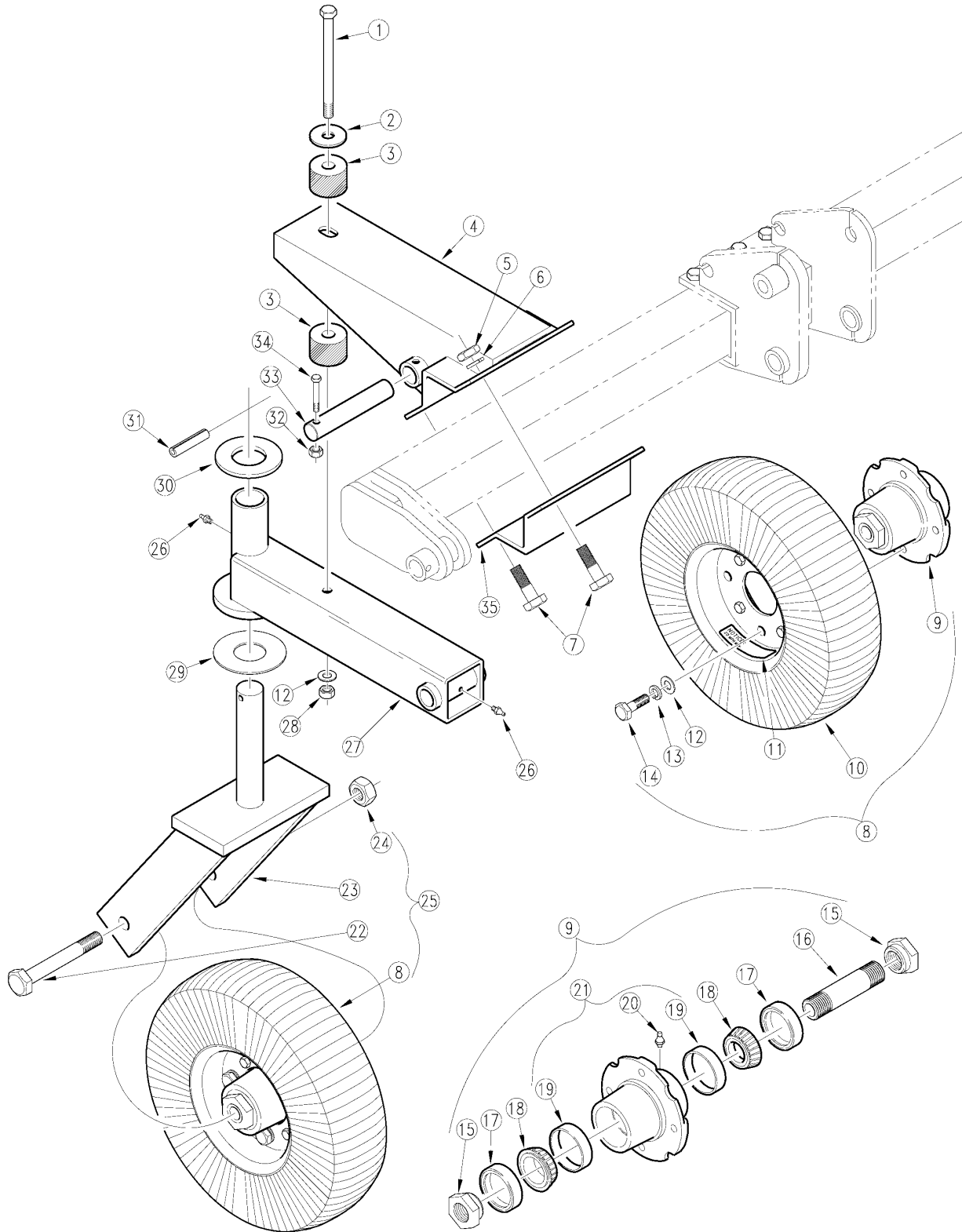
## Lift Type Cutter

### Applies to RC35120, RCM35120

Ref	Part No.	Part Description	Comments	Revision
	dwg10442	Drawing Image Number		
1.	805-151C	PIN HITCH 1 1/8-12 X 5 3/4 HT		
2.	804-067C	WASHER LOCK 1 1/8		
3.	803-162C	NUT HEX 1 1/8-12 PLT		
4.	312-178D	HITCH STRAP RC35		
5.	312-069H	UPPER HITCH WLDM'T		
6.	800-080C	ZERK GREASE 1/4-28 THD FORMING		
7.	805-090C	PIN CLEVIS 1 X 3 3/16 LG		
8.	805-088C	PIN, HAIR COTTER 3/16 WIRE DIA		
9.	312-211D	10' HITCH BRACE		
10.	802-074C	HHCS 1-8X6 1/2 GR5		
11.	803-038C	NUT HEX 1-8 NYLON INSERT PLT		
12.	312-191S	REAR AXLE		
13.	802-287C	HHCS 1-8X9 1/2 GR5		
14.	802-110C	HHCS 1-8X9 GR5		
15.	312-223D	PIVOT BUSHING-SHORT		
16.	312-224D	PIVOT BUSHING-LONG		
17.	804-028C	WASHER FLAT 1 USS PLT		
18.	312-221D	CYLINDER PIVOT LUG-LIFT		
19.	890-177C	RATCHET JACK - HEAVY DUT		
20.	312-095A	HYDRAULIC HEIGHT ADJ		
21.	810-162C	CYL 3.5X8X1.25 ROD (TIE ROD)		
22.	811-280C	EL 1/2FNPT 3/4MORB		
23.	811-215C	HH3/8R2 144 3/8MNPT 1/2MNPT		
24.	802-032C	HHCS 1/2-13X3/4 GR5		
25.	804-015C	WASHER LOCK SPRING 1/2 PLT		
26.	803-020C	NUT HEX 1/2-13 PLT		
27.	802-167C	HHCS 1/4-20X1 1/2 GR5		
28.	803-088C	NUT HEX LOCK 1/4-20 FLG		
29.	312-554D	PIVOT SHAFT		
30.	826-042C	PTO 3510 & 2560 SLIP CLUTCH	540 RPM	
30.	826-061C	PTO 35120 SLIP CLUTCH 1000RPM	1000 RPM	

# Lift Type Cutter Tailwheel

Applies to RC35120, RCM35120



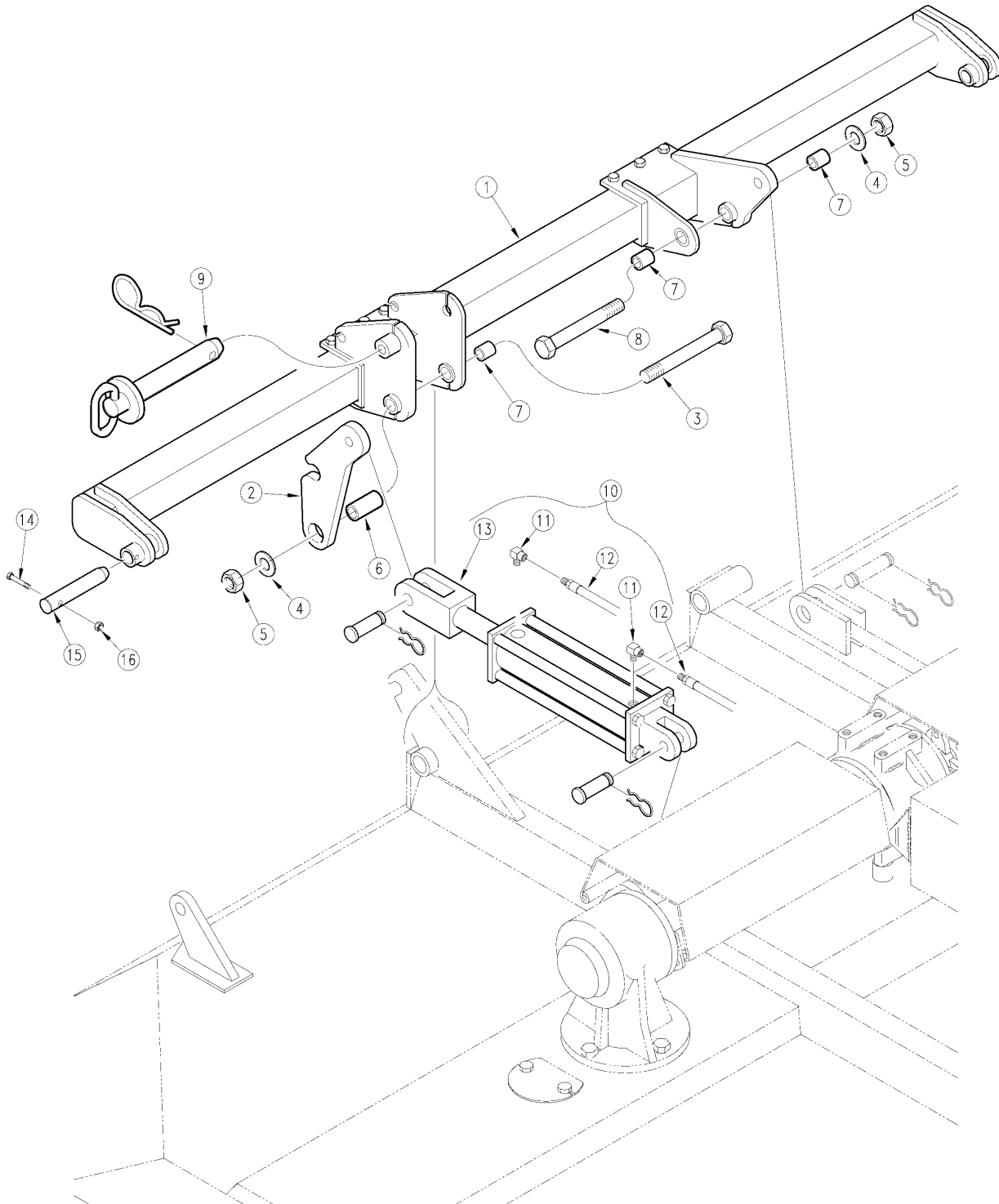
10443

**Lift Type Cutter Tailwheel****Applies to RC35120, RCM35120**

Ref	Part No.	Part Description	Comments	Revision
	dwg10443	Drawing Image Number		
1.	802-289C	HHCS 1/2-13X8 GR5		
2.	312-264D	RUBBER STOP WASHER		
3.	312-313D	RUBBER BUMPER		Rev. 2
3.	816-090C	REPL BY 312-313D		Rev 1; Use up stock
4.	312-137H	AXLE ARM MOUNT WELDMENT		
5.	803-021C	NUT HEX 5/8-11 PLT		
6.	804-022C	WASHER LOCK SPRING 5/8 PLT		
7.	802-053C	HHCS 5/8-11X1 3/4 GR5		
8.	814-162C	LAM 4 X 8 TIRE-WHEEL-HUB	Includes one of items 9; 10 & 11 and; four of items 12, 13 & 14	Rev. 2
8.	312-131K	RC25 & 35 TW ASSY - 15		Rev 1; Use up stock
9.	815-092C	HUB & SPINDLE ASSY 4 BOLT	Includes one of items 16, 20 & 21 and two of items 15, 17, 18, & 19	Rev. 2
9.	312-068S	RC35 HUB ASSY		Rev 1; Use up stock
10.	814-058C	TIRE & WHEEL LAMINATED 4.0 X 8		
11.	818-681C	DECAL NOTICE - 20 MPH MAX		
12.	804-016C	WASHER FLAT 1/2 SAE PLT		
13.	804-015C	WASHER LOCK SPRING 1/2 PLT		
14.	802-240C	HHCS 1/2-20X1 GR5		
15.	803-289C	NUT HEX 1 1/4-7(MACHINED)PLAIN		Rev. 2
15.	312-124D	TW SHOULDER NUT		Rev 1; Use up stock
16.	827-036C	BUSHING TW 1.25ODX.78IDX5 1/4		Rev. 2
16.	312-123D	TW SPINDLE TUBE		Rev 1; Use up stock
17.	816-009C	OIL SEAL DOUBLE LIP		
18.	822-091C	BEARING CONE 15123		
19.	822-092C	BEARING CUP 15245		
20.	800-001C	GREASE ZERK STRAIGHT 1/4-28		
21.	815-093C	HUB 4 BOLT WHL W/CUPS & ZERK 4 BOLT HUB		Rev. 2
21.	312-106D			Rev 1; Use up stock
22.	802-280C	HHCS 3/4-10X7 1/2 GR5		
23.	890-583C	RC25 TAILWHEEL YOKE		Rev. 2
23.	312-077H	RC25 YOKE WELDMENT		Rev 1; Use up stock
24.	803-026C	NUT LOCK 3/4-10 PLT		
25.	814-161C	LAM 4 X 8 TIRE-WHEEL-HUB-YOKE		Rev. 2
25.	312-111L	RC25 & 35-15 TW & YOKE ASSY	Includes one of items 8, 22, 23 & 24	Rev 1; Use up stock
26.	800-080C	ZERK GREASE 1/4-28 THD FORMING		
27.	312-087H	CASTER ARM WELDMENT		
28.	803-147C	NUT HEX NYLOCK 1/2-13		
29.	312-147D	TAILWHEEL WASHER		
30.	804-071C	WASHER FLAT 1 1/2 SAE PLT		
31.	805-255C	PIN ROLL 3/8 X 2 1/2 PLT	(S/N 199492+)	Rev. 2 not compat. w/Rev. 1
31.	805-043C	PIN SPIRAL 3/8X2 1/2 PLAIN	(S/N 199491-)	Rev. 1
32.	803-200C	NUT HEX LOCK 7/16-14 PLT	(S/N 81432+)	Rev. 2 not compat. w Rev. 1
32.	803-011C	NUT LOCK 5/16-18 PLT	(S/N 81431-)	Rev. 1
33.	312-212D	AXLE MOUNT PIN		
34.	802-379C	HHCS 7/16-14X2 GR8	(S/N 81432+)	Rev. 2 not compat. w/Rev. 1
34.	802-115C	HHCS 5/16-18X2 GR5	(S/N 81431-)	Rev. 1
35.	312-260D	AXLE CLAMP		

## ***Pull Type Rear Axle***

Applies to RC35120, RCM35120



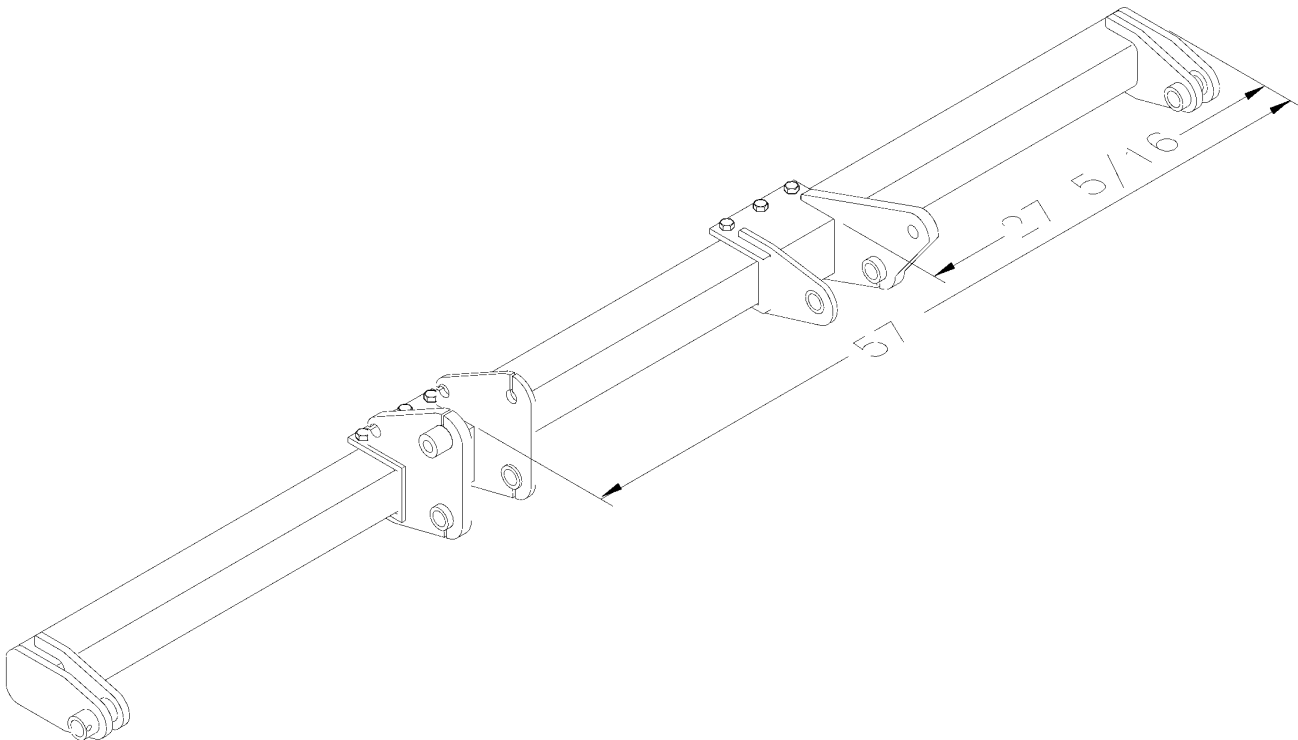
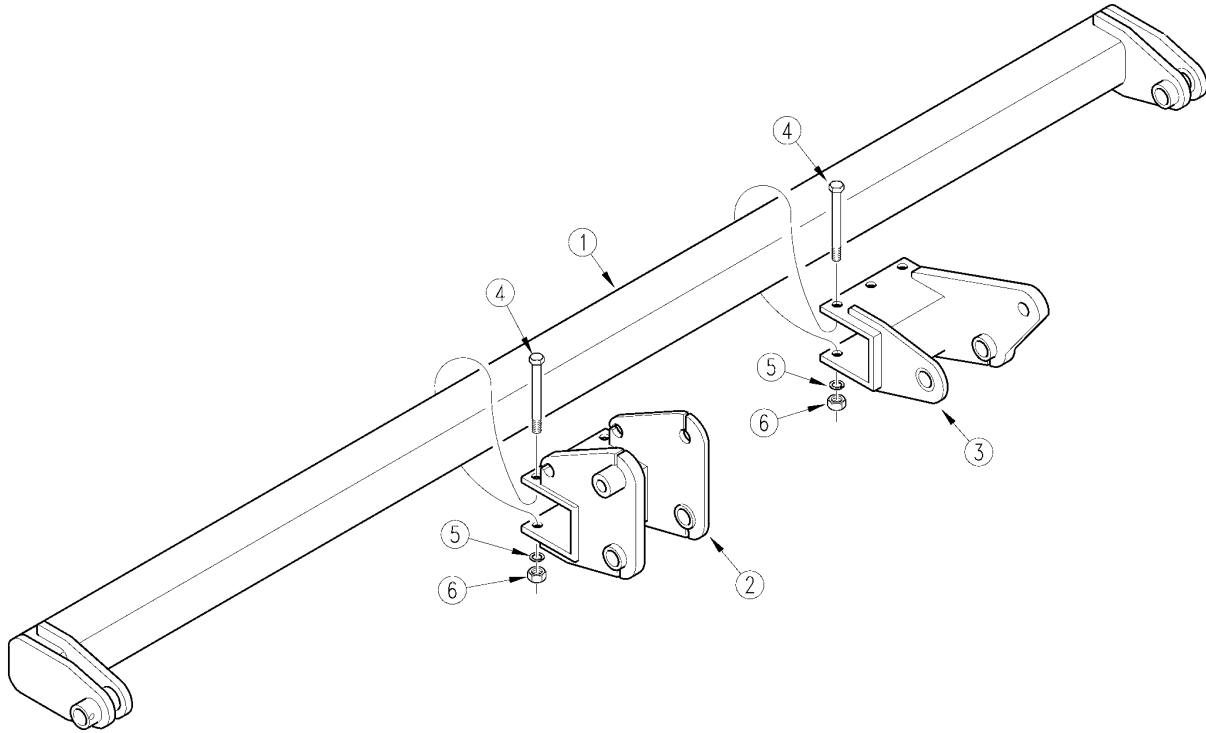
11098

***Pull Type Rear Axle*****Applies to RC35120, RCM35120**

<b>Ref</b>	<b>Part No.</b>	<b>Part Description</b>	<b>Comments</b>	<b>Revision</b>
	dwg11098	Drawing Image Number		
1.	312-191S	REAR AXLE		
2.	312-222D	CYLINDER PIVOT LUG-PULL		
3.	802-110C	HHCS 1-8X9 GR5		
4.	804-028C	WASHER FLAT 1 USS PLT		
5.	803-038C	NUT HEX 1-8 NYLON INSERT PLT		
6.	312-224D	PIVOT BUSHING-LONG		
7.	312-223D	PIVOT BUSHING-SHORT		
8.	802-293C	HHCS 1-8X8 1/2 GR5		
9.	805-100C	PIN HITCH 1 X 7 1/2 USABLE LG		
10.	312-095A	HYDRAULIC HEIGHT ADJ		
11.	811-280C	EL 1/2FNPT 3/4MORB		
12.	811-215C	HH3/8R2 144 3/8MNPT 1/2MNPT		
13.	810-162C	CYL 3.5X8X1.25 ROD (TIE ROD)		
14.	802-152C	HHCS 1/4-20X2 GR5		
15.	312-554D	PIVOT SHAFT		
16.	803-007C	NUT LOCK 1/4-20 PLT		

## ***Pull Type Rear Axle Mount***

Applies to RC35120, RCM35120



10848



## ***Pull Type Rear Axle Mount***

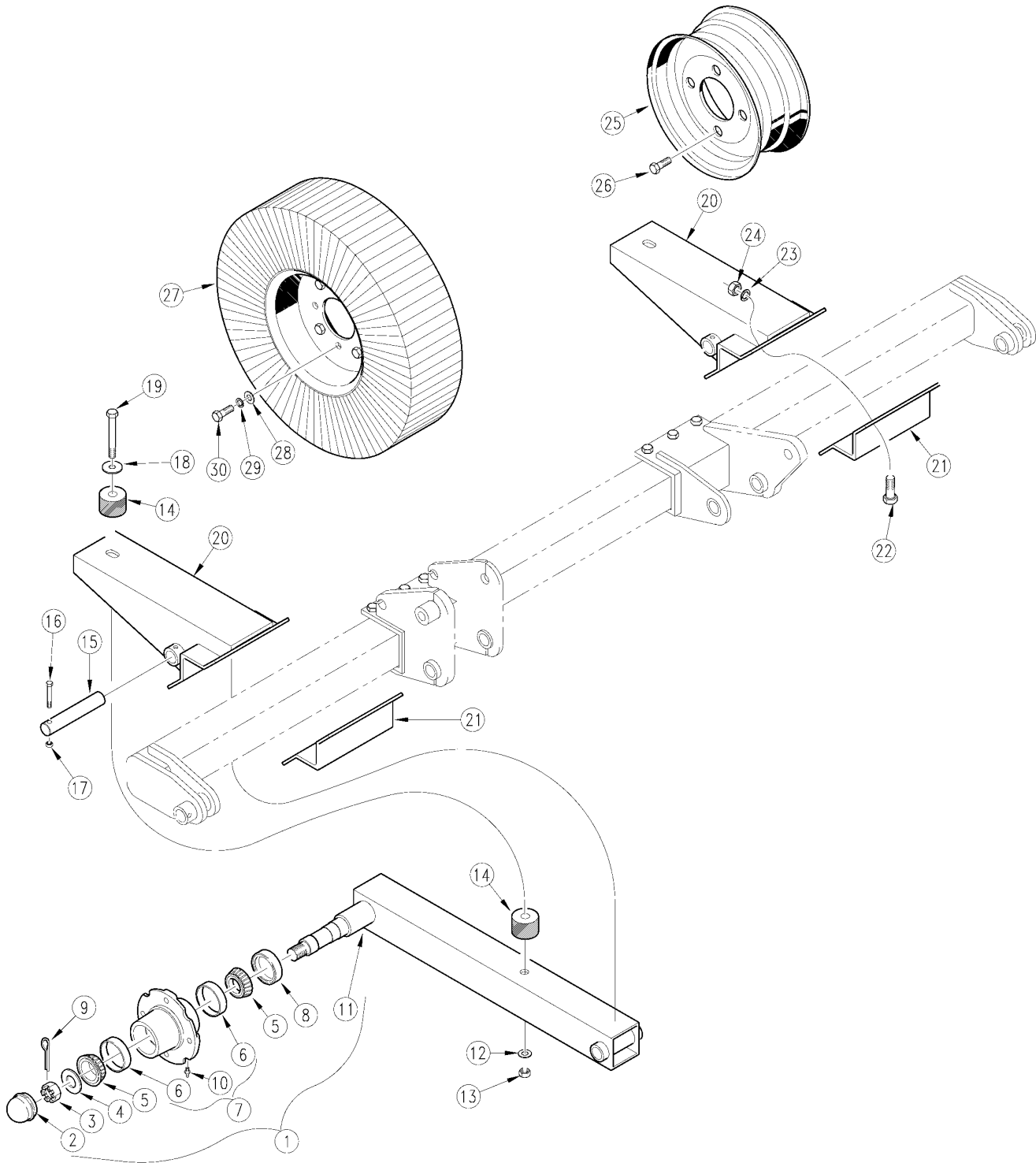
---

### **Applies to RC35120, RCM35120**

<b>Ref</b>	<b>Part No.</b>	<b>Part Description</b>	<b>Comments</b>	<b>Revision</b>
	dwg10848	Drawing Image Number		
1.	312-342H	AXLE TUBE WELDMENT RC35120		
2.	312-189H	REAR AXLE MOUNT RIGHT HAND		
3.	312-190H	REAR AXLE MOUNT LEFT HAND		
4.	802-249C	HHCS 1/2-13X4 1/2 GR5 SPTHD		
5.	804-015C	WASHER LOCK SPRING 1/2 PLT		
6.	803-020C	NUT HEX 1/2-13 PLT		

# Pull Type Tailwheel

Applies to RC35120, RCM35120



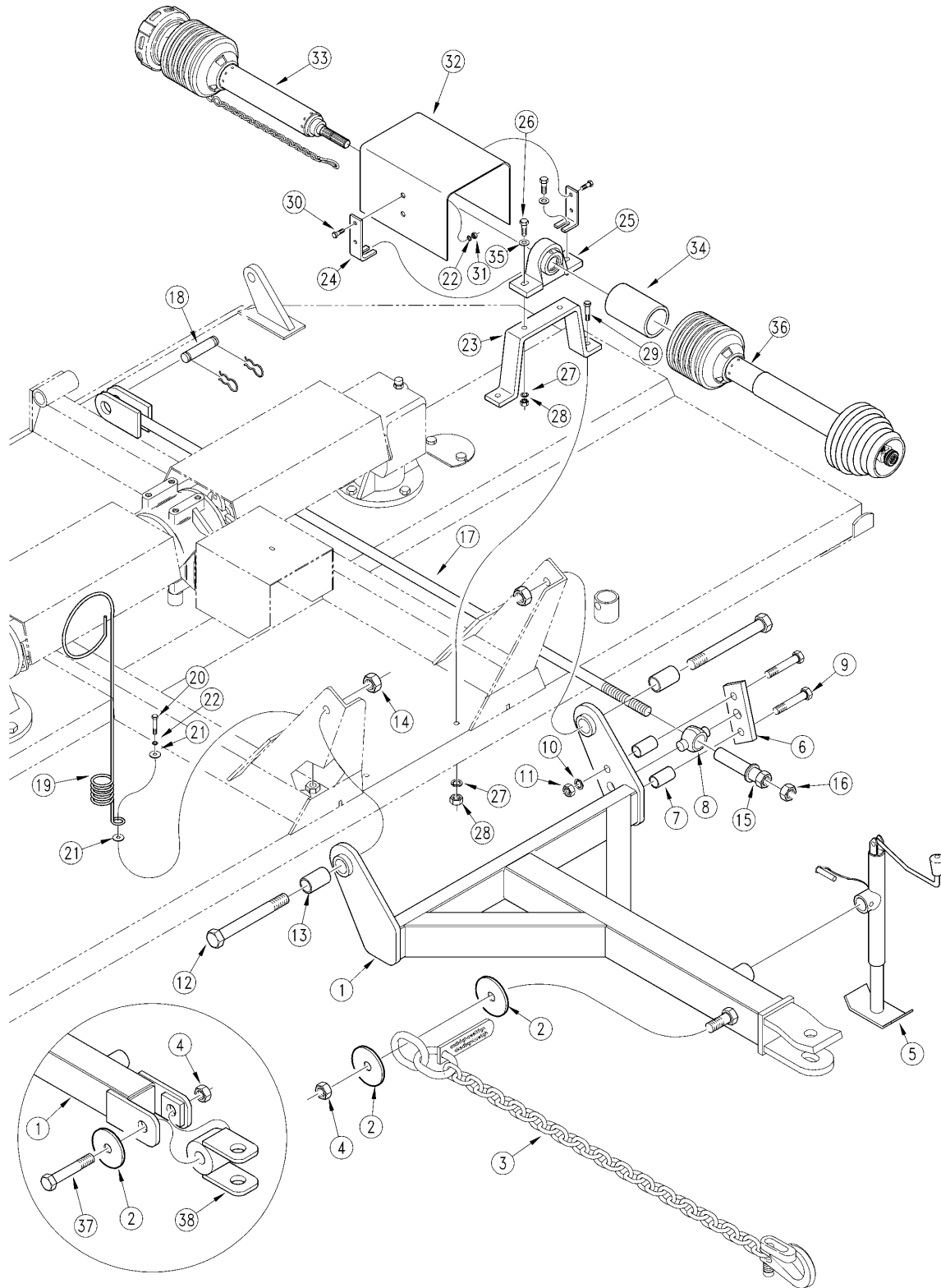
10445

***Pull Type Tailwheel*****Applies to RC35120, RCM35120**

<b>Ref</b>	<b>Part No.</b>	<b>Part Description</b>	<b>Comments</b>	<b>Revision</b>
	dwg10445	Drawing Image Number		
1.	312-152K	120 PULL HUB & SPINDLE ASSY		
2.	200-001D	HUB GREASE CAP		
3.	803-029C	NUT HEX SLOTTED 7/8-14 PLT		
4.	804-055C	WASHER SPINDLE - 7/8		
5.	822-091C	BEARING CONE 15123		
6.	822-092C	BEARING CUP 15245		
7.	815-093C	HUB 4 BOLT WHL W/CUPS & ZERK		Rev. 2
7.	312-106D	4 BOLT HUB		Rev 1; Use up stock
8.	816-098C	SEAL 1 3/8 ID X 2.441 OD X.313		
9.	805-016C	PIN COTTER 3/16 X 1 1/4 PLT		
10.	800-001C	GREASE ZERK STRAIGHT 1/4-28		
11.	312-216H	WING AXLE TUBE WELDMENT		
12.	804-016C	WASHER FLAT 1/2 SAE PLT		
13.	803-147C	NUT HEX NYLOCK 1/2-13		
14.	312-313D	RUBBER BUMPER		Rev. 2
14.	816-090C	REPL BY 312-313D		Rev 1; Use up stock
15.	312-212D	AXLE MOUNT PIN		
16.	802-379C	HHCS 7/16-14X2 GR8		
16.	802-115C	HHCS 5/16-18X2 GR5		
17.	803-200C	NUT HEX LOCK 7/16-14 PLT		
17.	803-011C	NUT LOCK 5/16-18 PLT		
18.	312-264D	RUBBER STOP WASHER		
19.	802-289C	HHCS 1/2-13X8 GR5		
20.	312-137H	AXLE ARM MOUNT WELDMENT		
21.	312-260D	AXLE CLAMP		
22.	802-053C	HHCS 5/8-11X1 3/4 GR5		
23.	804-022C	WASHER LOCK SPRING 5/8 PLT		
24.	803-021C	NUT HEX 5/8-11 PLT		
25.	814-066C	WHEEL 15 X 5 X 4 BOLT		
26.	802-104C	BOLT WHEEL 1/2-20X1 90-DEG		
27.	814-059C	TIRE & WHEEL LAMINATED 6.0 X 9		
28.	804-016C	WASHER FLAT 1/2 SAE PLT		
29.	804-015C	WASHER LOCK SPRING 1/2 PLT		
30.	802-240C	HHCS 1/2-20X1 GR5		

# Pull Type Tongue

Applies to RC35120, RCM35120



12033

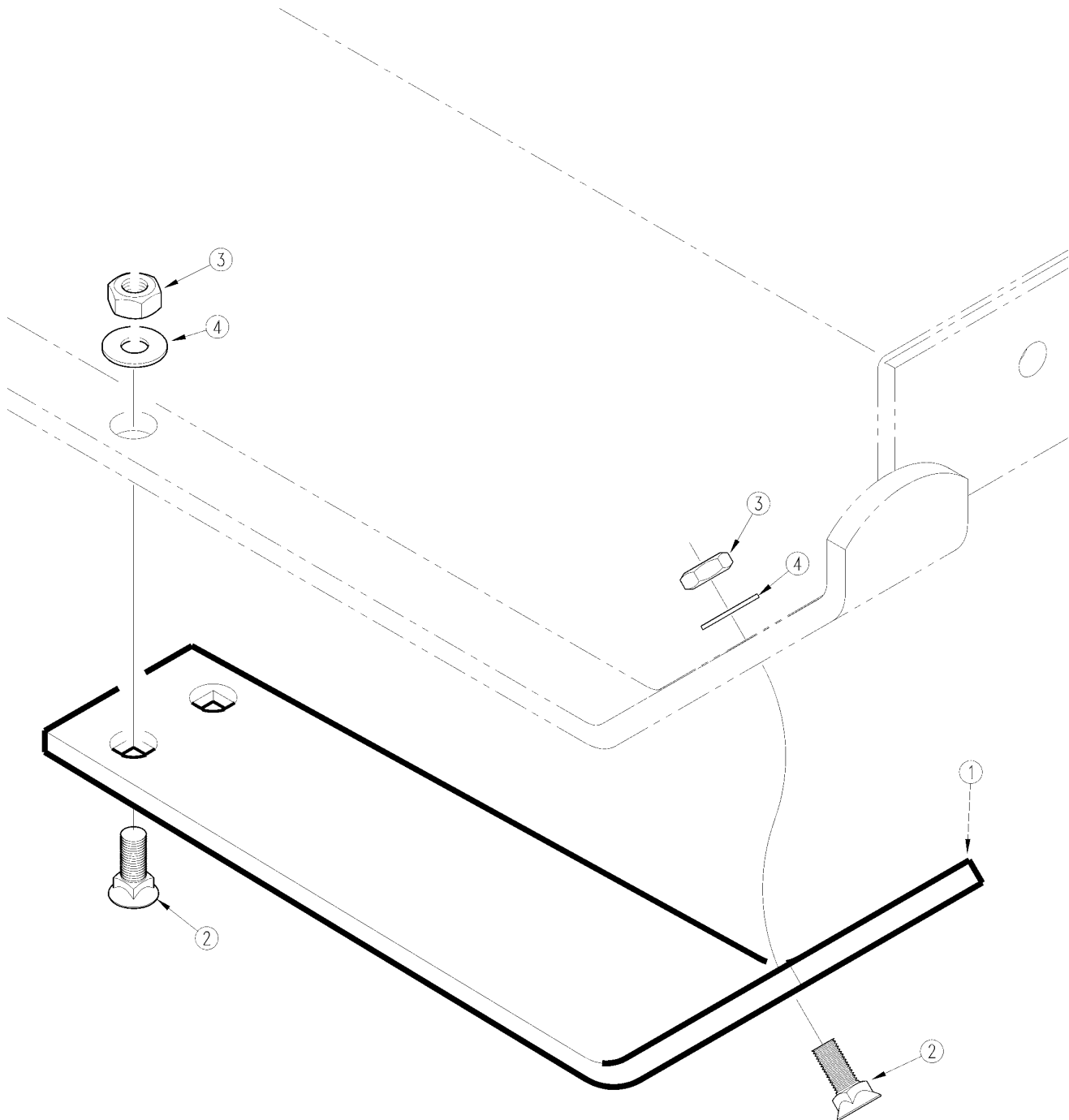
## Pull Type Tongue

### Applies to RC35120, RCM35120

Ref	Part No.	Part Description	Comments	Revision
	dwg12033	Drawing Image Number		
1.	312-362H	RC35120 TONGUE WELDMENT	(S/N 111917+)	Rev. 2
1.	312-147H	RPBY 312-362H	(S/N 111916-)	Rev 1; Use up stock
2.	804-028C	WASHER FLAT 1 USS PLT		
3.	890-182C	SAFETY CHAIN 10000 LB		
4.	803-038C	NUT HEX 1-8 NYLON INSERT PLT		
5.	890-245C	SCREW JACK 2000# 15"-30"	(S/N 81179+)	Rev. 2
5.	890-118C	SCREW JACK 2000#	(S/N 81178-)	Rev 1; Use up stock
6.	312-281D	TRUNNION MOUNT		
7.	312-294D	SPACER		
8.	312-289D	LEVELING TRUNNION		
9.	802-192C	HHCS 3/4-10X4 1/2 GR5		
10.	804-023C	WASHER LOCK SPRING 3/4 PLT		
11.	803-027C	NUT HEX 3/4-10 PLT		
12.	802-215C	HHCS 1 1/8-7X4 GR5		
13.	312-282D	HITCH SPACER		
14.	803-082C	NUT HEX LOCK 1 1/8-7		
15.	312-149H	LEVELING TUBE WELDMENT		
16.	803-030C	NUT HEX JAM 1-8 PLT		
17.	312-150H	LEVELING ROD WELDMENT		
18.	805-012C	PIN CLEVIS 1 X 2 1/8 USABLE LG		
19.	807-023C	SPRING HOSE LOOP		
20.	802-014C	HHCS 3/8-16X3/4 GR5		
21.	804-011C	WASHER FLAT 3/8 USS PLT		
22.	804-013C	WASHER LOCK SPRING 3/8 PLT		
23.	312-287D	BEARING MOUNT		
24.	312-288D	SHIELD BRACKET		
25.	822-094C	BEARING PILLOW BLOCK 1 3/8BORE		
26.	802-130C	HHCS 1/2-13X2 1/2 GR5		
27.	804-015C	WASHER LOCK SPRING 1/2 PLT		
28.	803-020C	NUT HEX 1/2-13 PLT		
29.	802-091C	HHCS 1/2-13X1 1/2 GR5		
30.	802-017C	HHCS 3/8-16X1 GR5		
31.	803-014C	NUT HEX 3/8-16 PLT		
32.	312-293D	PTO SHEILD		
33.	826-052C	PTO W/STUB SHAFT & SC 540RPM		
33.	826-062C	PTO W/STUB SHAFT & SC 1000RPM		
34.	817-050C	GEARBOX SHAFT PROTECTOR		
35.	804-016C	WASHER FLAT 1/2 SAE PLT	(S/N 53500+)	
36.	826-053C	PTO CV 2400 X 60 , 540 RPM		
36.	826-063C	PTO CV 2400 X 60 , 1000 RPM		
37.	802-075C	HHCS 1-8X7 GR5		
38.	312-155H	HITCH CLEVIS		Rev. 2
38.	812-129C	RPBY 312-155H	Not available	Rev 1; Use up stock

# Skid Shoe Kit

Applies to RC3560, RC3572, RC3584



10448

## Skid Shoe Kit

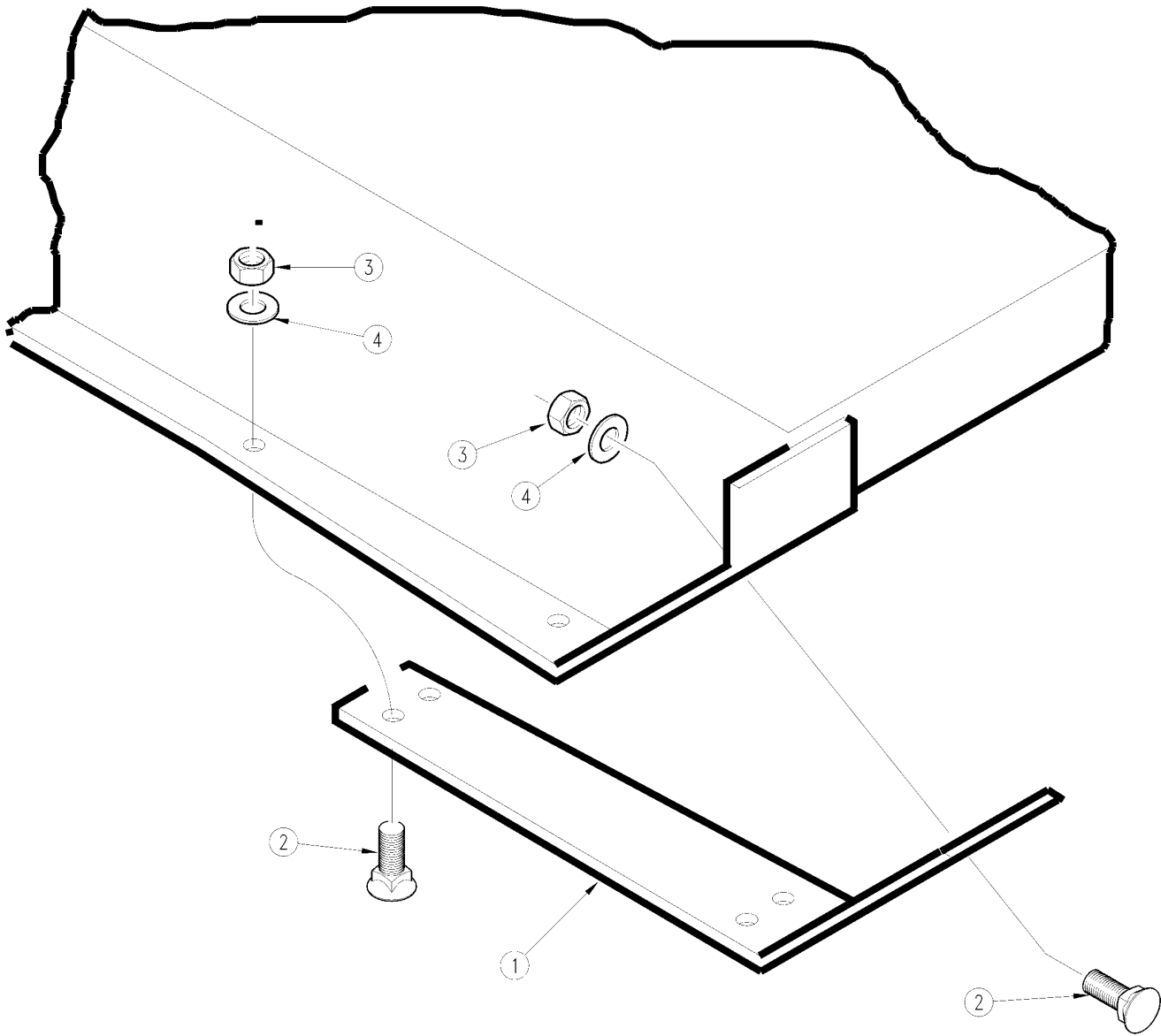
---

### Applies to RC3560, RC3572, RC3584

Ref	Part No.	Part Description	Comments	Revision
	dwg10448	Drawing Image Number		
	312-079A	SKID SHOE BUNDLE/PAIR	Complete Skid Shoe Kit	
1.	312-175D	SKID SHOE		
2.	802-020C	PLOW 3/8-16X1 1/2 GR5		
3.	803-013C	NUT LOCK 3/8-16 PLT		
4.	804-012C	WASHER FLAT 3/8 SAE PLT		

### Skid Shoes

Applies to RC35120, RCM35120



10853



## Skid Shoes

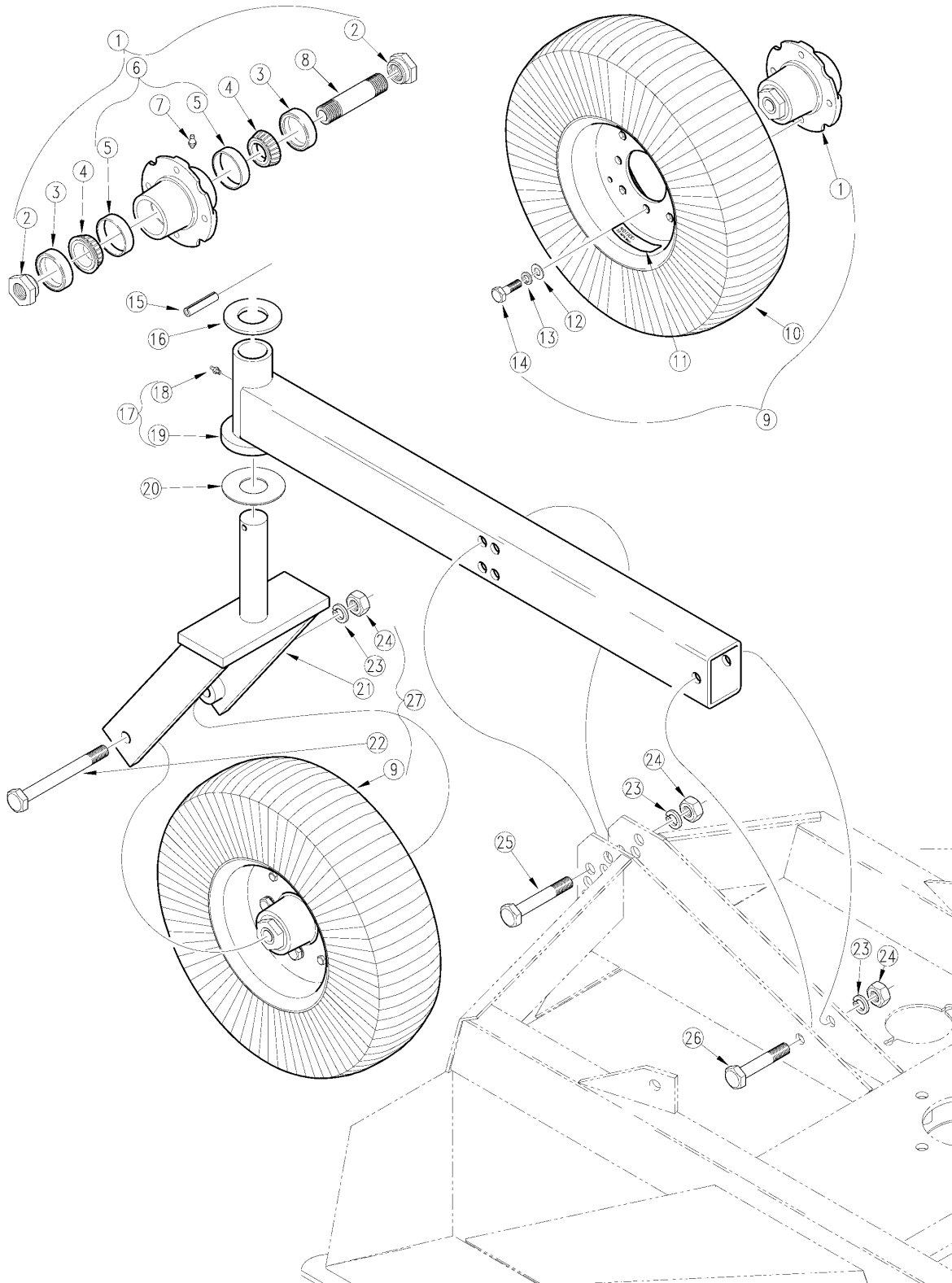
---

### Applies to RC35120, RCM35120

Ref	Part No.	Part Description	Comments	Revision
	dwg10853	Drawing Image Number		
	312-079A	SKID SHOE BUNDLE/PAIR		
1.	312-175D	SKID SHOE		
2.	802-020C	PLOW 3/8-16X1 1/2 GR5		
3.	803-013C	NUT LOCK 3/8-16 PLT		
4.	804-012C	WASHER FLAT 3/8 SAE PLT		

# Tailwheel

Applies to RC3560, RC3572, RC3584



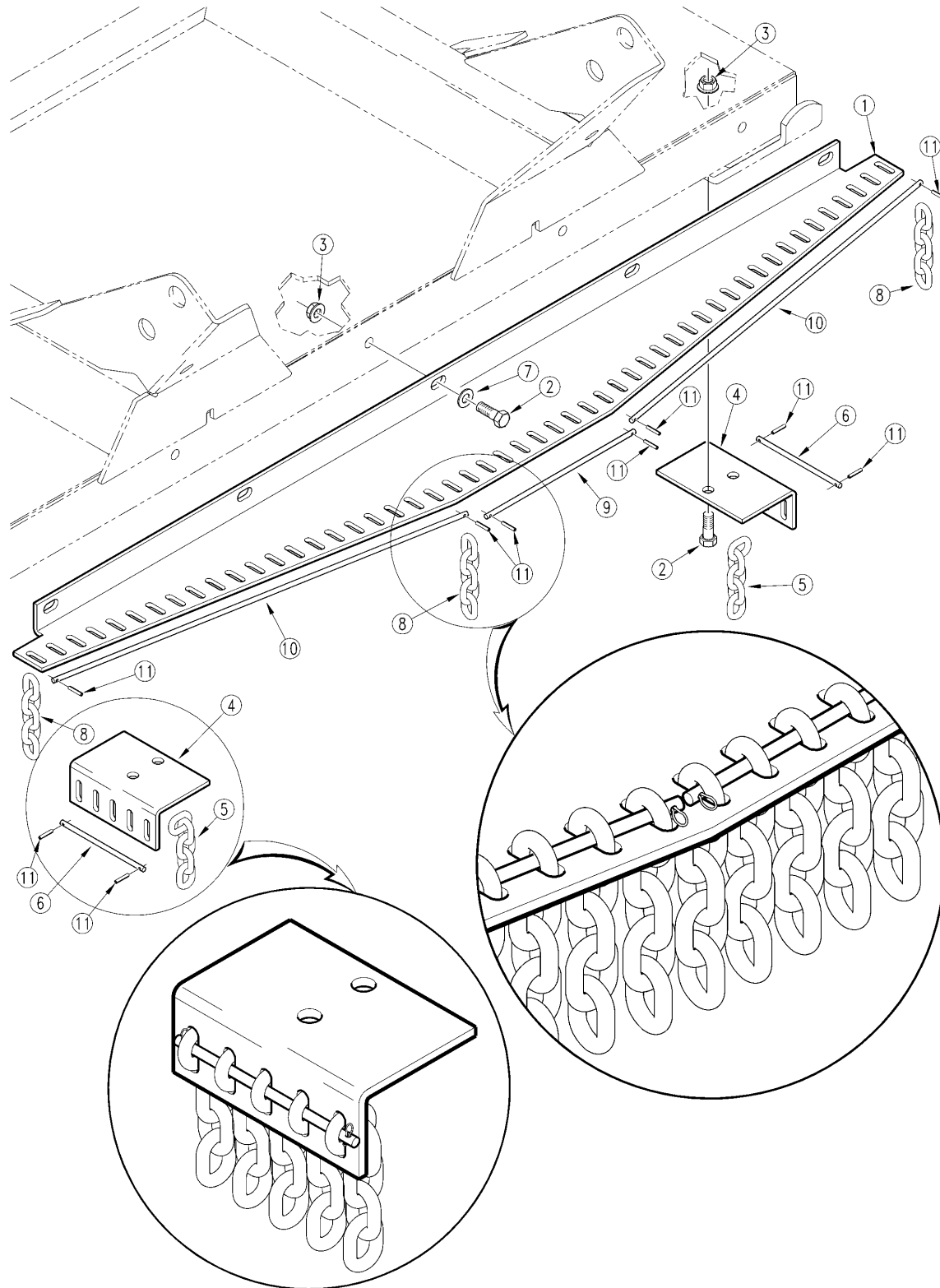
10460

**Tailwheel****Applies to RC3560, RC3572, RC3584**

Ref	Part No.	Part Description	Comments	Revision
	dwg10460	Drawing Image Number		
1.	815-092C	HUB & SPINDLE ASSY 4 BOLT	Includes one of items 6; 7 & 8 and two of items 2 through 5	Rev. 2
1.	312-068S	RC35 HUB ASSY		Rev 1; Use up stock
2.	803-289C	NUT HEX 1 1/4-7(MACHINED)PLAIN		Rev. 2
2.	312-124D	TW SHOULDER NUT		Rev 1; Use up stock
3.	816-286C	OIL SEAL DBL LIP 2.441 BORE		Rev. 2
3.	816-009C	OIL SEAL DOUBLE LIP		Rev 1; Use up stock
4.	822-091C	BEARING CONE 15123		
5.	822-092C	BEARING CUP 15245		
6.	815-093C	HUB 4 BOLT WHL W/CUPS & ZERK		Rev. 2
6.	312-106D	4 BOLT HUB		Rev 1; Use up stock
7.	800-001C	GREASE ZERK STRAIGHT 1/4-28		
8.	827-036C	BUSHING TW 1.25ODX.78IDX5 1/4		Rev. 2
8.	312-123D	TW SPINDLE TUBE		Rev 1; Use up stock
9.	312-067K	RC35 TAILWHEEL ASSY-21		
10.	814-059C	TIRE & WHEEL LAMINATED 6.0 X 9		
11.	818-681C	DECAL NOTICE - 20 MPH MAX		
12.	804-016C	WASHER FLAT 1/2 SAE PLT		
13.	804-015C	WASHER LOCK SPRING 1/2 PLT		
14.	802-240C	HHCS 1/2-20X1 GR5		
15.	805-255C	PIN ROLL 3/8 X 2 1/2 PLT	(S/N 209101+)	Rev. 2 not compat. w/Rev. 1
15.	805-043C	PIN SPIRAL 3/8X2 1/2 PLAIN	(S/N 209100-)	Rev. 1
16.	804-074C	WASHER MACH 3.25 X 1.75 X 10GA		
17.	312-165K	3560 BOOM ASSY		
17.	312-104K	RC 3572 BOOM ASSY		
17.	312-105K	RC3584 BOOM ASSY		
18.	800-080C	GREASE ZERK 1/4-28 THD FORMING		
19.	312-161H	RC3560 BOOM WELDMENT		
19.	312-101H	6' BOOM WLDMT		
19.	312-102H	7' BOOM WLDMT		
20.	312-231D	TAILWHEEL WASHER		
21.	312-100H	RC35 YOKE WLDMT		
22.	802-272C	HHCS 3/4-10X10 GR5		
23.	804-023C	WASHER LOCK SPRING 3/4 PLT		
24.	803-027C	NUT HEX 3/4-10 PLT		
25.	802-069C	HHCS 3/4-10X5 GR5		
26.	802-192C	HHCS 3/4-10X4 1/2 GR5		
27.	312-084L	RC 35 TW & YOKE ASSY		

## Guard Front Safety Chain

Applies to RC3560, RC3572, RC3584



14793

**Guard Front Safety Chain****Applies to RC3560, RC3572, RC3584**

<b>Ref</b>	<b>Part No.</b>	<b>Part Description</b>	<b>Comments</b>	<b>Revision</b>
	dwg14793	Drawing Image Number		
	312-124A	RC 2560 & 3560 CHAIN GUARD ASY	Complete RC3560 chain guard assy	
	312-082A	RC2572 & 3572 CHAIN GUARD	Complete RC3572 chain guard assy	
	312-070A	RC3584 & 3584 CHAIN GUARD	Complete RC3584 chain guard assy	
1.	312-257D	2560 CHAIN MOUNT	RC3560	
1.	312-168D	3572 CHAIN MOUNT	RC3572	
1.	312-131D	3584 CHAIN MOUNT	RC3584	
2.	802-091C	HHCS 1/2-13X1 1/2 GR5		
3.	803-037C	NUT HEX WHIZ 1/2-13 PLT		
4.	312-144D	SIDE CHAIN MOUNT		
5.	890-341C	CHAIN WELD 5/16 PROOF X 5 LINK		Rev. 2
5.	312-177D	CHAIN 5/16X5LINK REPBY890-341C		Rev 1; Use up stock
6.	312-169D	CHAIN HANGER ROD-SIDE		
7.	804-016C	WASHER FLAT 1/2 SAE PLT		
8.	890-175C	CHAIN 5/16 PROOF X 6 LINKS PLT		
9.	312-133D	CHAIN HANGER ROD-CENTER	RC3572 & RC3584	
9.	312-258D	2560 CHAIN HANGER ROD - CTR.	RC3560	
10.	312-170D	6' CHAIN HANGER - SIDE	RC3572 & RC3560	
10.	312-132D	CHAIN HANGER ROD-SIDE	RC3584	
11.	805-136C	PIN ROLL 1/8 X 1 1/4 LG. PLT		



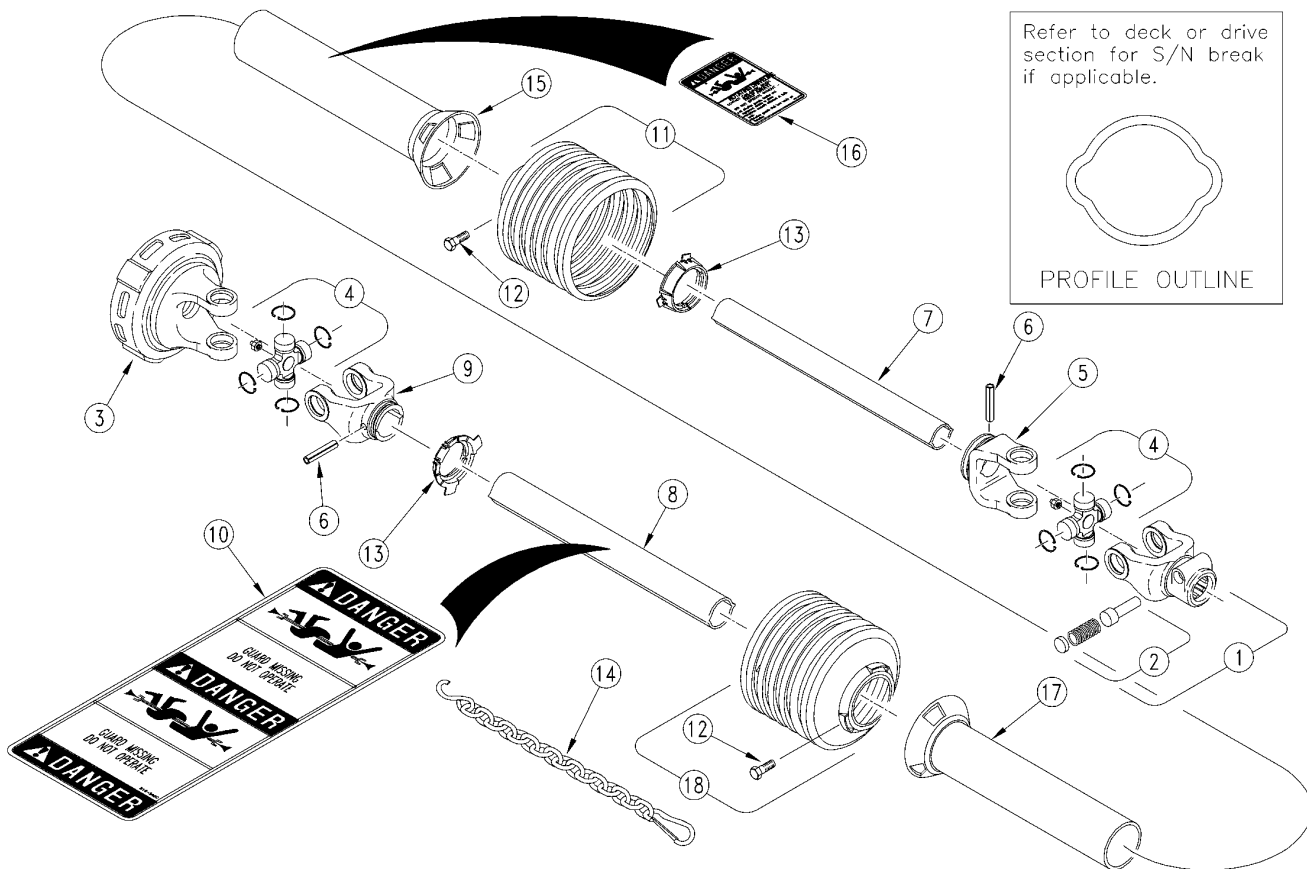
## Guard Front Safety Chain

### Applies to RC35120, RCM35120

Ref	Part No.	Part Description	Comments	Revision
	dwg10447	Drawing Image Number		
	312-091A	RC35120 CHAIN GUARD ASSY		
1.	312-206D	10' CHAIN MOUNT		
2.	802-091C	HHCS 1/2-13X1 1/2 GR5		
3.	803-037C	NUT HEX WHIZ 1/2-13 PLT		
4.	312-144D	SIDE CHAIN MOUNT		
5.	890-341C	CHAIN WELD 5/16 PROOF X 5 LINK		Rev. 2
5.	312-177D	CHAIN 5/16X5LINK REPBY890-341C		Rev 1; Use up stock
6.	312-169D	CHAIN HANGER ROD-SIDE		
7.	804-016C	WASHER FLAT 1/2 SAE PLT		
8.	890-175C	CHAIN 5/16 PROOF X 6 LINKS PLT		
9.	312-208D	CHAIN HANGER ROD-CENTER		
10.	312-170D	6' CHAIN HANGER - SIDE		
11.	805-136C	PIN ROLL 1/8 X 1 1/4 LG. PLT		

**Driveline (826-027C) Walterscheid**

Applies to RC3584



10854

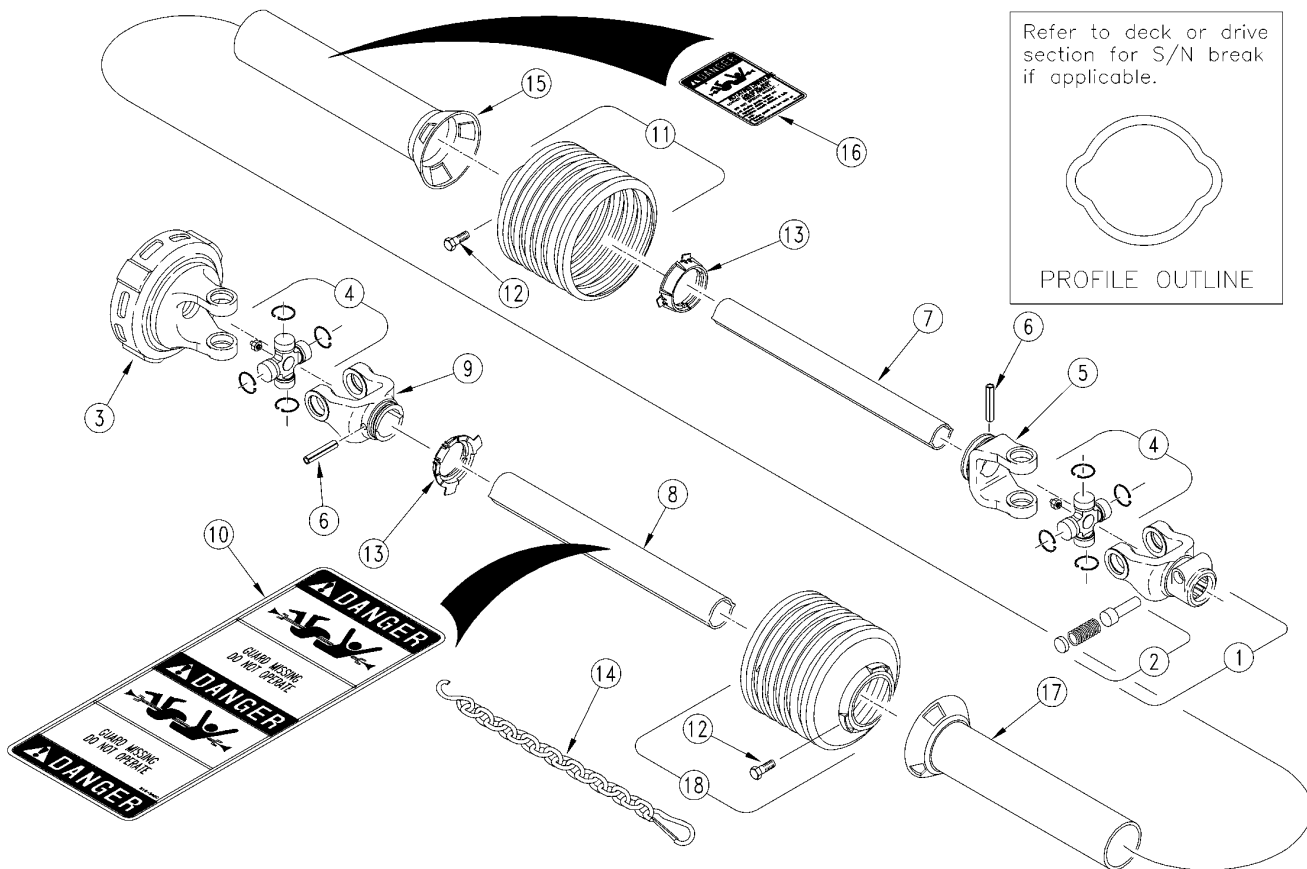


**Driveline (826-027C) Walterscheid****Applies to RC3584**

<b>Ref</b>	<b>Part No.</b>	<b>Part Description</b>	<b>Comments</b>	<b>Revision</b>
	dwg10854	Image Reference: 10854		
	826-027C	PTO 2400 X 43.7 SLIP CLUTCH		
1.	056699	WS YOKE 1 3/8" - 6 SPL Q.D.		
2.	339107	WS Q.D. PIN KIT		
3.	321166	WS FRICTION CLUTCH		
4.	312410	WS CROSS BEARING KIT		
5.	019518	WS INBOARD YOKE		
6.	020617	WS SPRING PIN 10 X 20		
7.	081133	WS INNER PROFILE		
8.	081058	WS OUTER PROFILE		
9.	019519	WS INBOARD YOKE		
10.	383334	WALTERSCHEID DNGR DECAL-STEEL		
11.	377336	WS SHIELD CONE 6 RIB		
12.	365305	WALTERSCHEID SCREW		
13.	087276	WS BEARING RING - SC25		
14.	044321	WALTERSCHEID SAFETY CHAIN		
15.	383666	WS OUTER SHIELD TUBE-OVAL		
16.	383333	WALTERSCHEID DANGER DECAL-SHLD		
17.	383667	WS INNER SHIELD TUBE-ROUND		
18.	377436	WS SHIELD CONE - 6 RIB		

### Driveline (826-033C) Walterscheid

Applies to RC3572

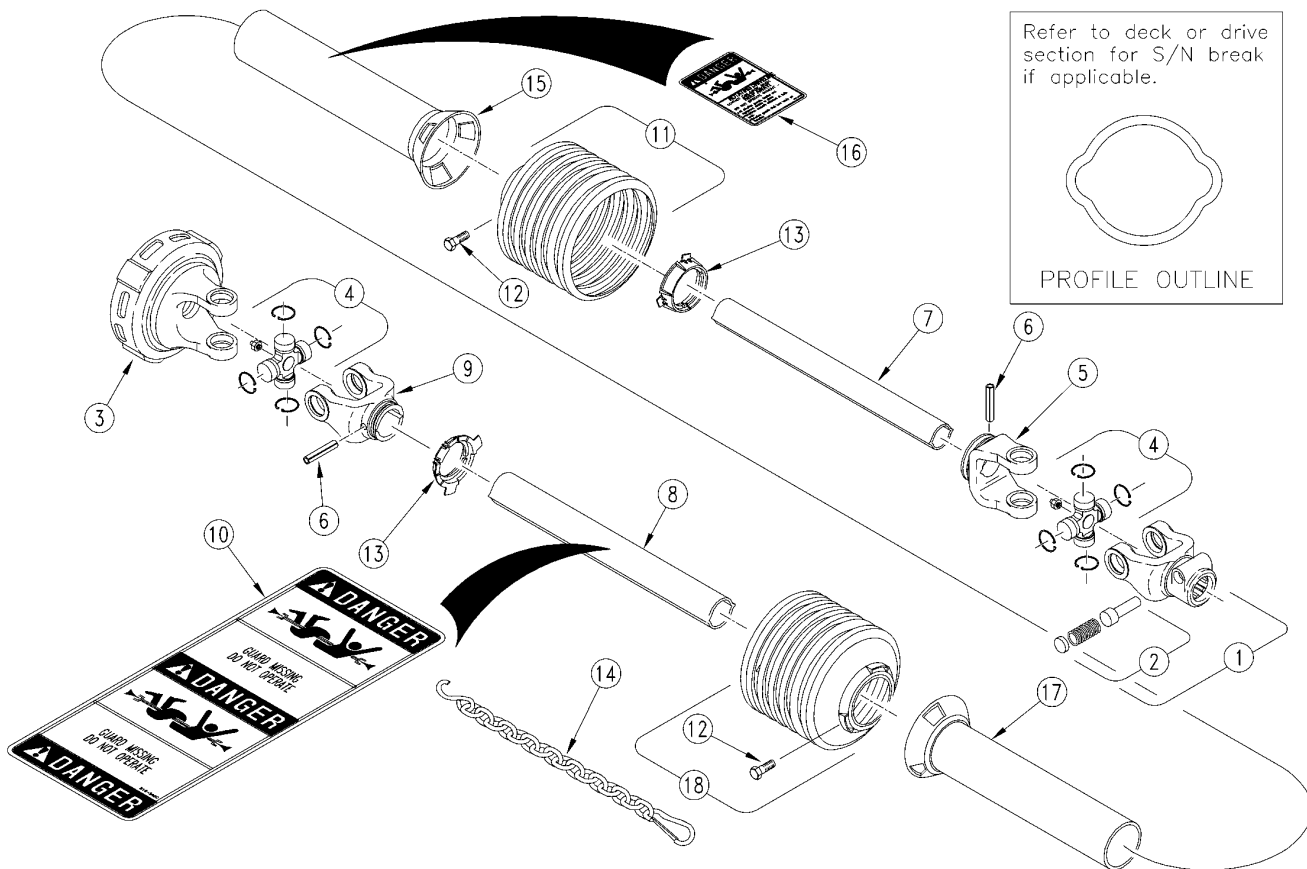


***Driveline (826-033C) Walterscheid*****Applies to RC3572**

<b>Ref</b>	<b>Part No.</b>	<b>Part Description</b>	<b>Comments</b>	<b>Revision</b>
	826-033C	Image Reference: 10854 PTO 2400X35.8 SLIP CLUTCH		
1.	056699	WS YOKE 1 3/8" - 6 SPL Q.D.		
2.	339107	WS Q.D. PIN KIT		
3.	321166	WS FRICTION CLUTCH		
4.	312410	WS CROSS BEARING KIT		
5.	019518	WS INBOARD YOKE		
6.	020617	WS SPRING PIN 10 X 20		
7.	082915	INNER PROFILE 72"		
8.	082916	OUTER PROFILE 72"		
9.	019519	WS INBOARD YOKE		
10.	383334	WALTERSCHEID DNGR DECAL-STEEL		
11.	377336	WS SHIELD CONE 6 RIB		
12.	365305	WALTERSCHEID SCREW		
13.	087276	WS BEARING RING - SC25		
14.	044321	WALTERSCHEID SAFETY CHAIN		
15.	387294	OUTER SHIELD TUBE OVAL-72"		
16.	383333	WALTERSCHEID DANGER DECAL-SHLD		
17.	387295	INNER SHIELD TUBE RD-72"		
18.	377436	WS SHIELD CONE - 6 RIB		

### Driveline (826-042C) Walterscheid

Applies to RC3560



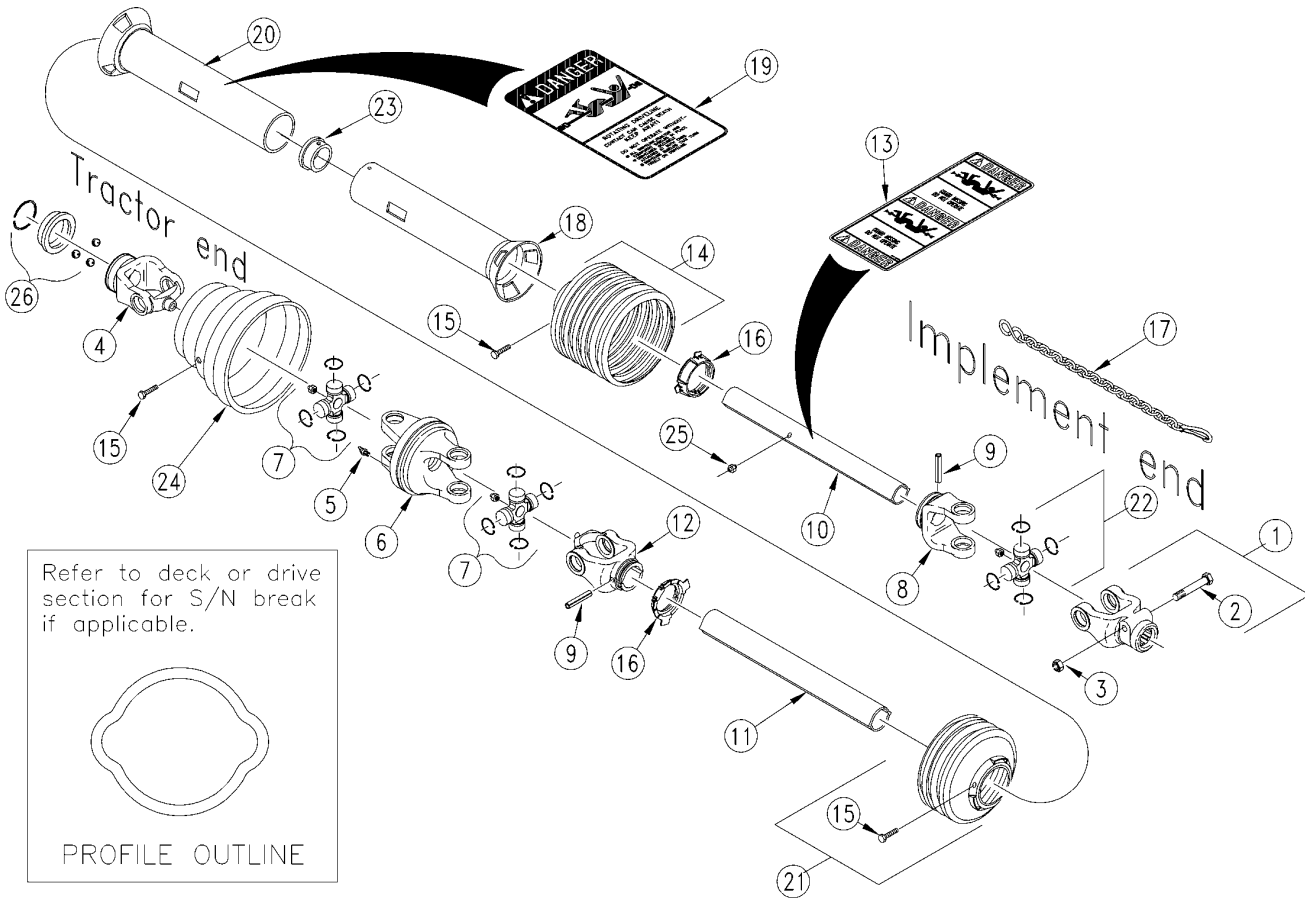
10854

**Driveline (826-042C) Walterscheid****Applies to RC3560**

<b>Ref</b>	<b>Part No.</b>	<b>Part Description</b>	<b>Comments</b>	<b>Revision</b>
	dwg10854	Drawing Image Number		
	826-042C	PTO 3510 & 2560 SLIP CLUTCH		
1.	056699	WS YOKE 1 3/8" - 6 SPL Q.D.		
2.	339107	WS Q.D. PIN KIT		
3.	321166	WS FRICTION CLUTCH		
4.	312410	WS CROSS BEARING KIT		
5.	019518	WS INBOARD YOKE		
6.	020617	WS SPRING PIN 10 X 20		
7.	081763	INNER PROFILE 60"		
8.	081760	OUTER PROFILE 60"		
9.	019519	WS INBOARD YOKE		
10.	383334	WALTERSCHEID DNGR DECAL-STEEL		
11.	377336	WS SHIELD CONE 6 RIB		
12.	365305	WALTERSCHEID SCREW		
13.	087276	WS BEARING RING - SC25		
14.	044321	WALTERSCHEID SAFETY CHAIN		
15.	387635	OUTER SHIELD TUBE OVAL-60"		
16.	383333	WALTERSCHEID DANGER DECAL-SHLD		
17.	387636	INNER SHIELD TUBE RD-60"		
18.	377436	WS SHIELD CONE - 6 RIB		

**Driveline CV Pull Type Cutter 1000 RPM (826-063C) Walterscheid**

Applies to RCM35120

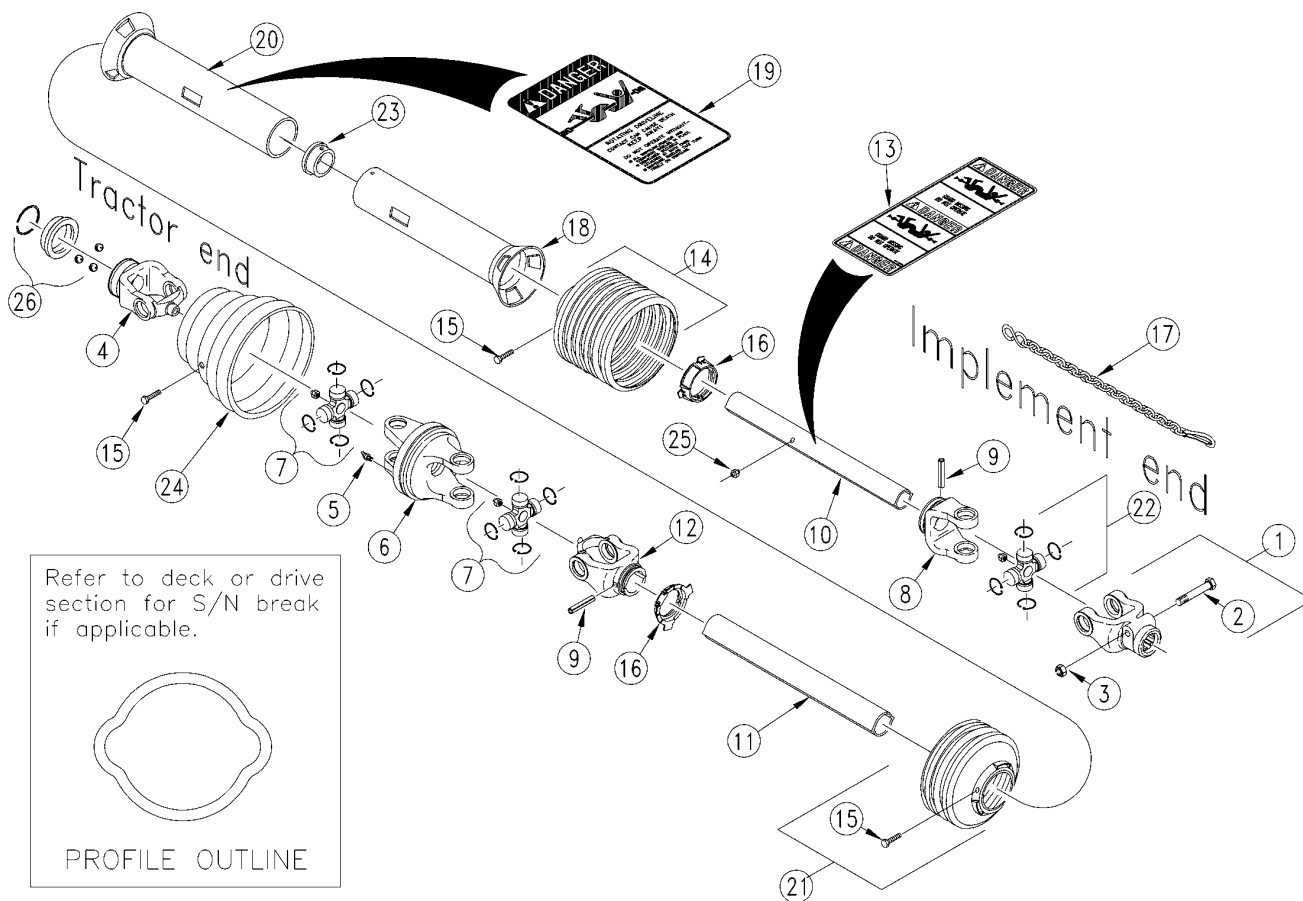


***Driveline CV Pull Type Cutter 1000 RPM (826-063C) Walterscheid*****Applies to RCM35120**

<b>Ref</b>	<b>Part No.</b>	<b>Part Description</b>	<b>Comments</b>	<b>Revision</b>
	dwg10452	Drawing Image Number		
	826-063C	PTO CV 2400 X 60 1000 RPM		
1.	320684	WS YOKE 1 3/8-21 SPL		
2.	020469	WS BOLT M12 X 75		
3.	010490	WALTERSCHEID SELF-LCKG HEX NUT		
4.	380883	WS YOKE 1 3/8-21 SP		
5.	020672	WS GREASE ZERK		
6.	365722	WS DOUBLE YOKE		
7.	342221	WS CROSS & BEARING KIT		
8.	019519	WS INBOARD YOKE		
9.	020617	WS SPRING PIN 10 X 20		
10.	383084	WS PROFILE & SLEEVE		
11.	321245	WS INNER PROFILE 16 GA		
12.	019519	WS INBOARD YOKE		
13.	383334	WALTERSCHEID DNGR DECAL-STEEL		
14.	377336	WS SHIELD CONE 6 RIB		
15.	365305	WALTERSCHEID SCREW		
16.	087276	WS BEARING RING - SC25		
17.	044321	WALTERSCHEID SAFETY CHAIN		
18.	384064	WS INNER SHIELD TUBE-ROUND		
19.	383333	WALTERSCHEID DANGER DECAL-SHLD		
20.	388434	WS OUTER SHIELD TUBE OVL		
21.	172758	WS SHIELD CONE 3 RIB		
22.	312410	WS CROSS BEARING KIT		
23.	355155	WS SUPPORT BEARING		
24.	386083	WS CV CONE & BEARING ASSY		
25.	380371	WS ZERK		
26.	381908	WS QUICK DISCONNECT KIT		

# Driveline CV Pull Type Cutter 540 RPM (826-053C) Walterscheid

Applies to RC35120



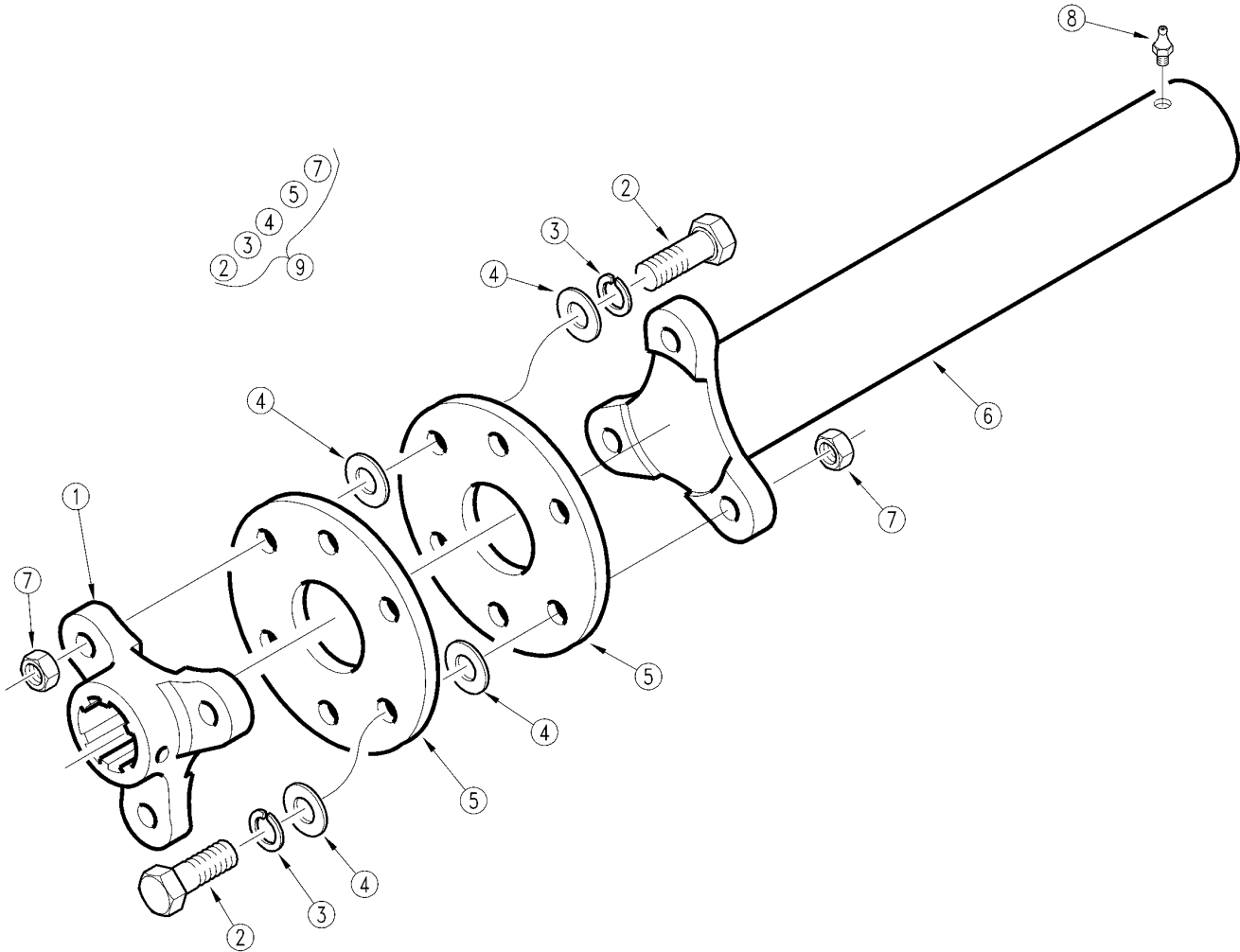


***Driveline CV Pull Type Cutter 540 RPM (826-053C) Walterscheid*****Applies to RC35120**

<b>Ref</b>	<b>Part No.</b>	<b>Part Description</b>	<b>Comments</b>	<b>Revision</b>
	dwg10452	Drawing Image Number		
	826-053C	PTO CV 2400 X 60 540 RPM		
1.	320684	WS YOKE 1 3/8-21 SPL		
2.	020469	WS BOLT M12 X 75		
3.	010490	WALTERSCHEID SELF-LCKG HEX NUT		
4.	380882	WS YOKE 1 3/8-6 SPL		
5.	020672	WS GREASE ZERK		
6.	365722	WS DOUBLE YOKE		
7.	342221	WS CROSS & BEARING KIT		
8.	019519	WS INBOARD YOKE		
9.	020617	WS SPRING PIN 10 X 20		
10.	382647	WS PROFILE & SLEEVE		
11.	095758	WS INNER PROFILE 16 GA		
12.	341586	WS INBOARD YOKE		
13.	383334	WALTERSCHEID DNGR DECAL-STEEL		
14.	377336	WS SHIELD CONE 6 RIB		
15.	365305	WALTERSCHEID SCREW		
16.	087276	WS BEARING RING - SC25		
17.	044321	WALTERSCHEID SAFETY CHAIN		
18.	382437	WS INNER SHIELD TUBE ROUND		
19.	383333	WALTERSCHEID DANGER DECAL-SHLD		
20.	383128	WS OUTER SHIELD TUBE OVL.		
21.	172758	WS SHIELD CONE 3 RIB		
22.	312410	WS CROSS BEARING KIT		
23.	355155	WS SUPPORT BEARING		
24.	386083	WS CV CONE & BEARING ASSY		
25.	380371	WS ZERK		
26.	381908	WS QUICK DISCONNECT KIT		

## Driveline Flex Coupler Shaft (826-054C)

Applies to RC35120, RCM35120



10453

***Driveline Flex Coupler Shaft (826-054C)***

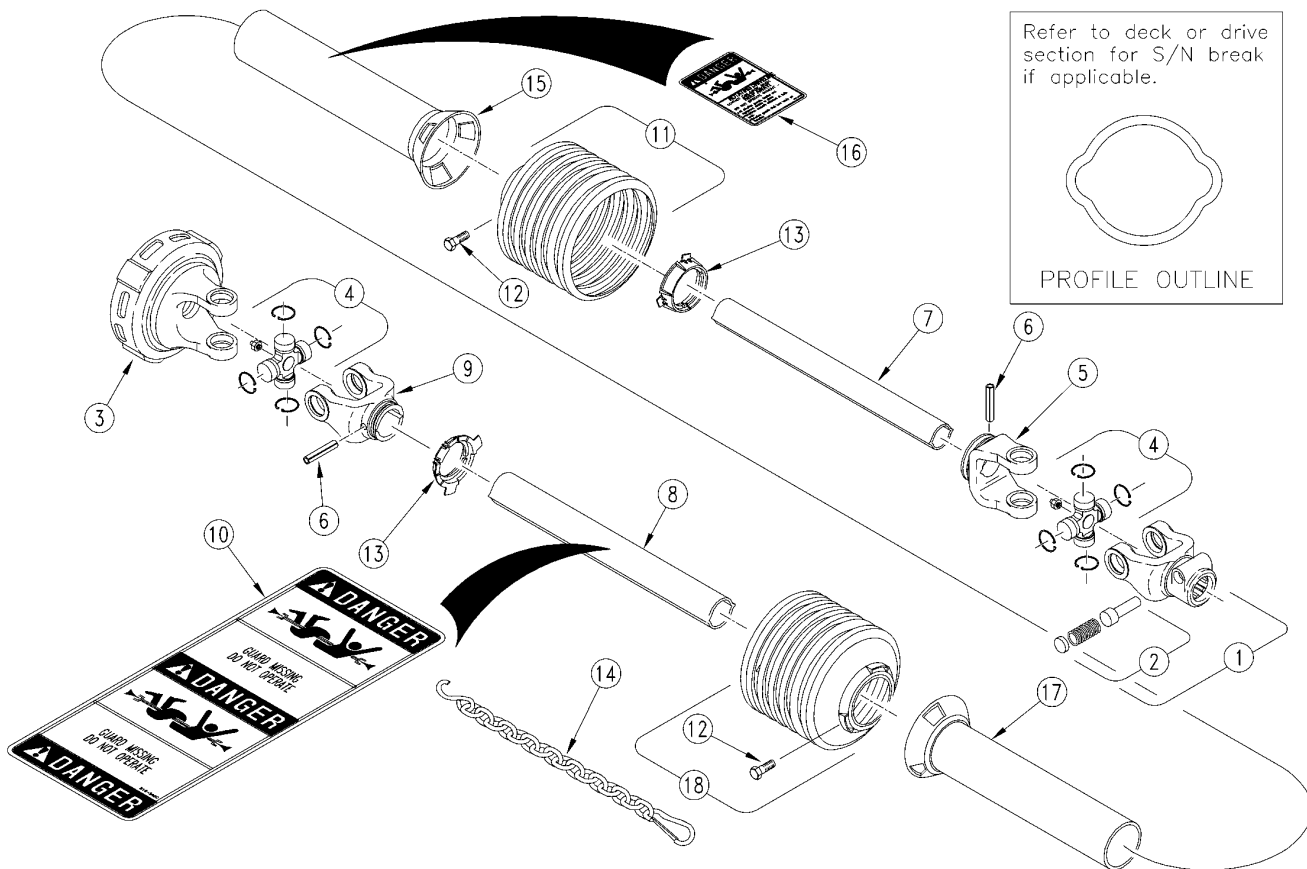
---

**Applies to RC35120, RCM35120**

<b>Ref</b>	<b>Part No.</b>	<b>Part Description</b>	<b>Comments</b>	<b>Revision</b>
	dwg10453	Drawing Image Number		
	826-054C	PTO FLEX COUPLER-2 DISC		
1.	81013-1053	WEASLER SPIDER		
2.		HHCS 5/8-18X2 1/2 GR5	Only found in seal kit 9	
3.		WASHER SPECIAL	Only found in seal kit 9	
4.		WASHER BEADED	Only found in seal kit 9	
5.	21-10405	RUBBER DISC 0.6X0.375		
6.	98-15800	WEASLER SPIDER TUBE		
7.		NUT OVALOK 5/8-18 GR C	Only found in seal kit 9	
8.	800-001C	GREASE ZERK STRAIGHT 1/4-28		
9.	19-33302	WEASLER FLEX CPLING REPAIR KIT		

# Driveline Lift Type Cutter 1000 RPM (826-061C) Walterscheid

Applies to RCM35120



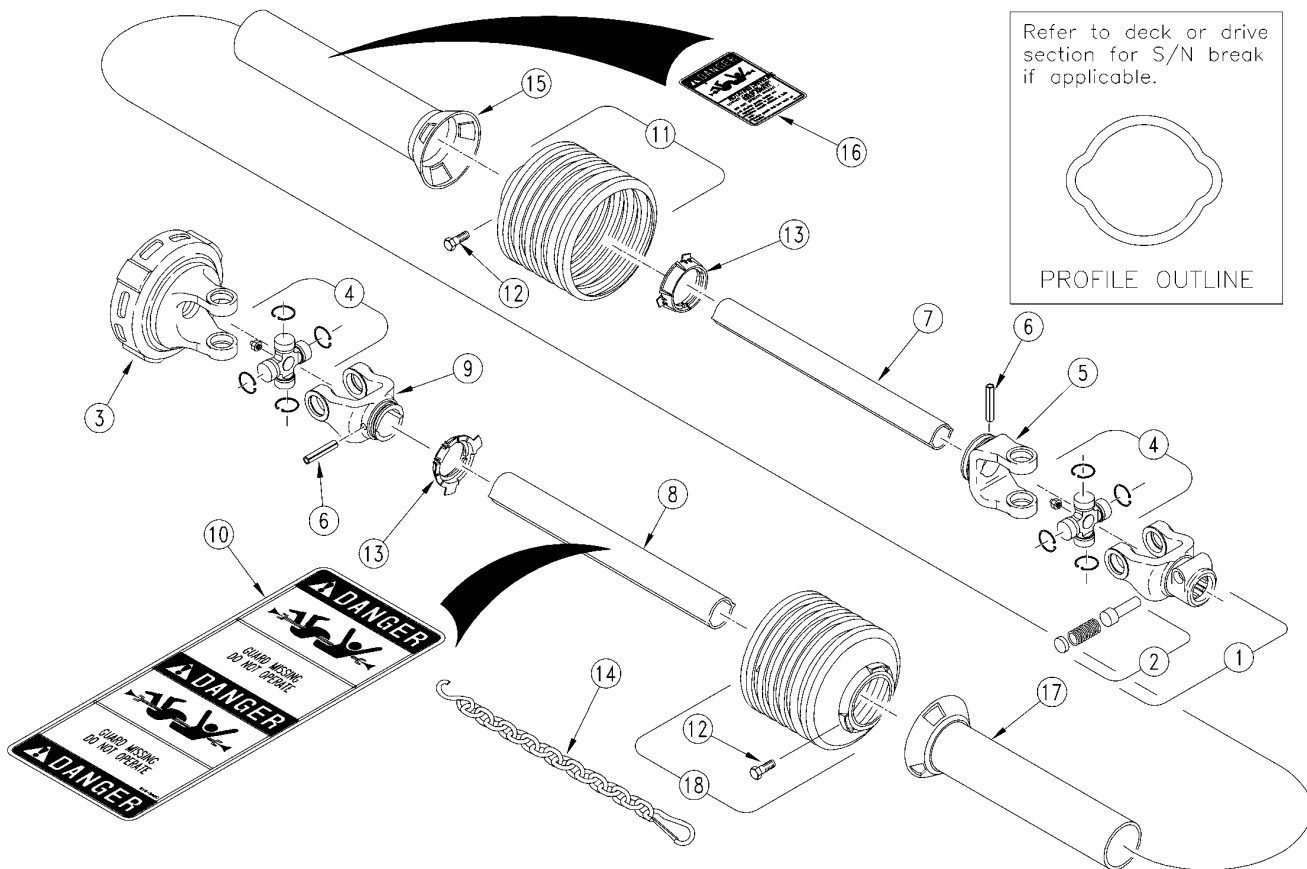
10854

***Driveline Lift Type Cutter 1000 RPM (826-061C) Walterscheid*****Applies to RCM35120**

<b>Ref</b>	<b>Part No.</b>	<b>Part Description</b>	<b>Comments</b>	<b>Revision</b>
	dwg10854	Drawing Image Number		
	826-061C	PTO 35120 SLIP CLUTCH 1000RPM		
1.	019516	WS YOKE 1 3/8-21 SPL Q.D		
2.	339107	WS Q.D. PIN KIT		
3.	329219	WS FRICTION CLUTCH		
4.	312410	WS CROSS BEARING KIT		
5.	019518	WS INBOARD YOKE		
6.	020617	WS SPRING PIN 10 X 20		
7.	081763	INNER PROFILE 60"		
8.	081760	OUTER PROFILE 60"		
9.	019519	WS INBOARD YOKE		
10.	383334	WALTERSCHEID DNGR DECAL-STEEL		
11.	377336	WS SHIELD CONE 6 RIB		
12.	365305	WALTERSCHEID SCREW		
13.	087276	WS BEARING RING - SC25		
14.	044321	WALTERSCHEID SAFETY CHAIN		
15.	387635	OUTER SHIELD TUBE OVAL-60"		
16.	383333	WALTERSCHEID DANGER DECAL-SHLD		
17.	387636	INNER SHIELD TUBE RD-60"		
18.	377436	WS SHIELD CONE - 6 RIB		

# Driveline Lift Type Cutter 540 RPM (826-042C) Walterscheid

Applies to RC35120



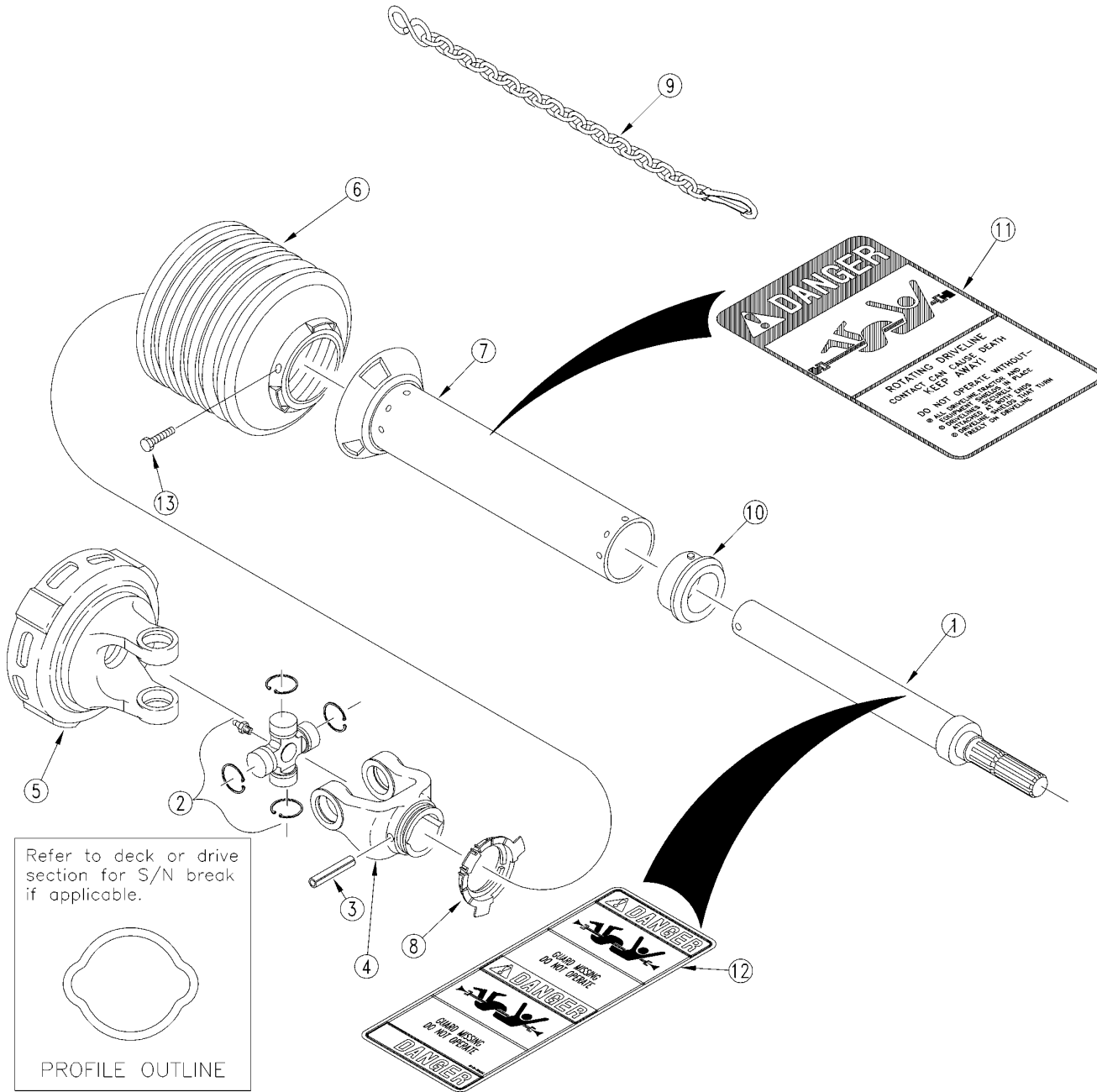
10854

***Driveline Lift Type Cutter 540 RPM (826-042C) Walterscheid*****Applies to RC35120**

<b>Ref</b>	<b>Part No.</b>	<b>Part Description</b>	<b>Comments</b>	<b>Revision</b>
	dwg10854	Drawing Image Number		
	826-042C	PTO 3510 & 2560 SLIP CLUTCH		
1.	056699	WS YOKE 1 3/8" - 6 SPL Q.D.		
2.	339107	WS Q.D. PIN KIT		
3.	321166	WS FRICTION CLUTCH		
4.	312410	WS CROSS BEARING KIT		
5.	019518	WS INBOARD YOKE		
6.	020617	WS SPRING PIN 10 X 20		
7.	081763	INNER PROFILE 60"		
8.	081760	OUTER PROFILE 60"		
9.	019519	WS INBOARD YOKE		
10.	383334	WALTERSCHEID DNGR DECAL-STEEL		
11.	377336	WS SHIELD CONE 6 RIB		
12.	365305	WALTERSCHEID SCREW		
13.	087276	WS BEARING RING - SC25		
14.	044321	WALTERSCHEID SAFETY CHAIN		
15.	387635	OUTER SHIELD TUBE OVAL-60"		
16.	383333	WALTERSCHEID DANGER DECAL-SHLD		
17.	387636	INNER SHIELD TUBE RD-60"		
18.	377436	WS SHIELD CONE - 6 RIB		

# Driveline Pull Type 1000 RPM (826-062C) Walterscheid

Applies to RCM35120



10451

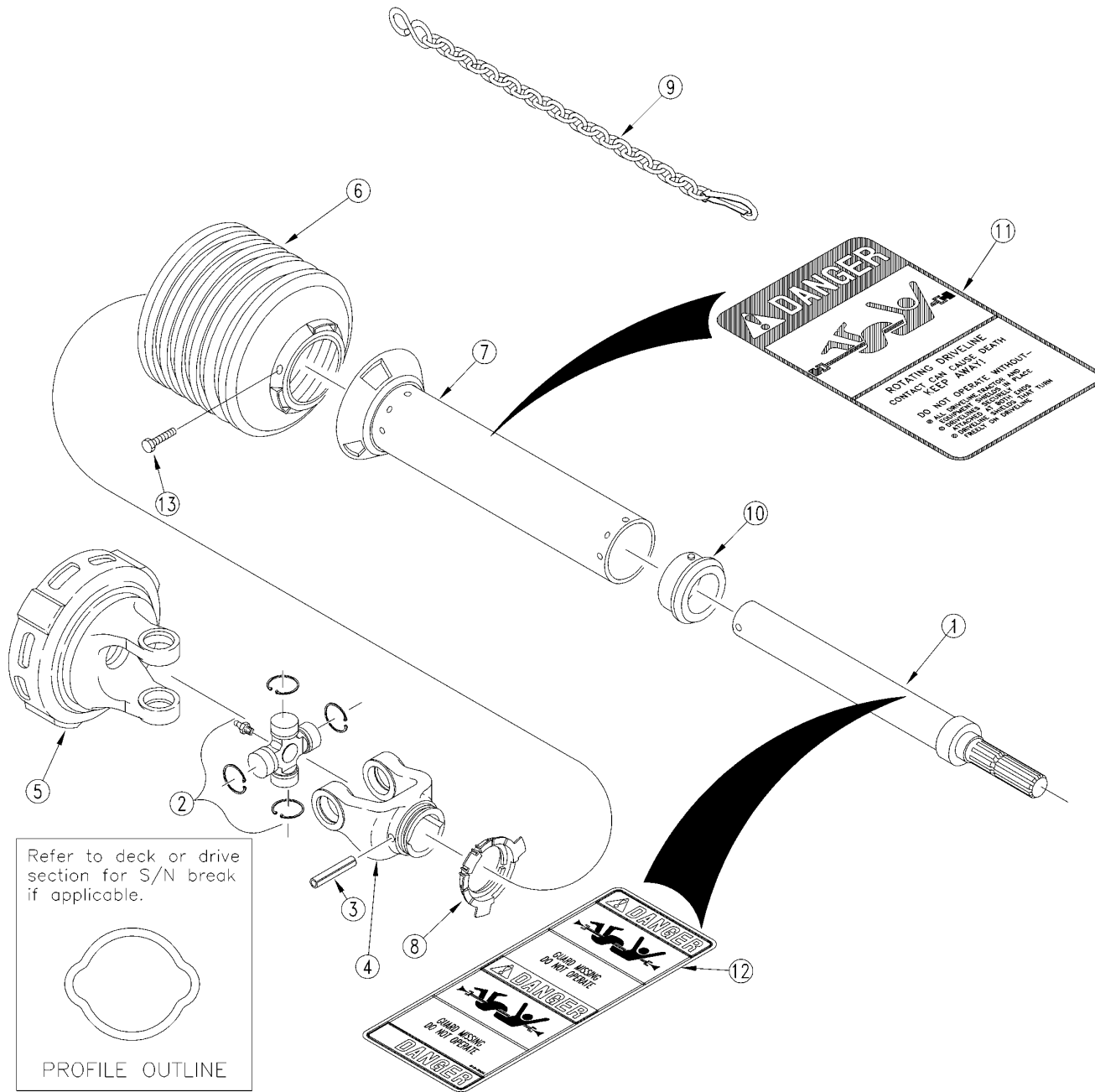


***Driveline Pull Type 1000 RPM (826-062C) Walterscheid*****Applies to RCM35120**

<b>Ref</b>	<b>Part No.</b>	<b>Part Description</b>	<b>Comments</b>	<b>Revision</b>
	dwg10451	Drawing Image Number		
	826-062C	PTO W/STUB SHAFT & SC 1000RPM		
1.	387949	WS PROFILE & STUB SHAFT WELDMT		
2.	312410	WS CROSS BEARING KIT		
3.	020617	WS SPRING PIN 10 X 20		
4.	019519	WS INBOARD YOKE		
5.	329219	WS FRICTION CLUTCH		
6.	377436	WS SHIELD CONE - 6 RIB		
7.	387952	WS INNER SHIELD TUBE ROUND		
8.	087276	WS BEARING RING - SC25		
9.	044321	WALTERSCHEID SAFETY CHAIN		
10.	355155	WS SUPPORT BEARING		
11.	383333	WALTERSCHEID DANGER DECAL-SHLD		
12.	383334	WALTERSCHEID DNGR DECAL-STEEL		
13.	365305	WALTERSCHEID SCREW		

### Driveline Pull Type 540 RPM (826-052C) Walterscheid

Applies to RC35120



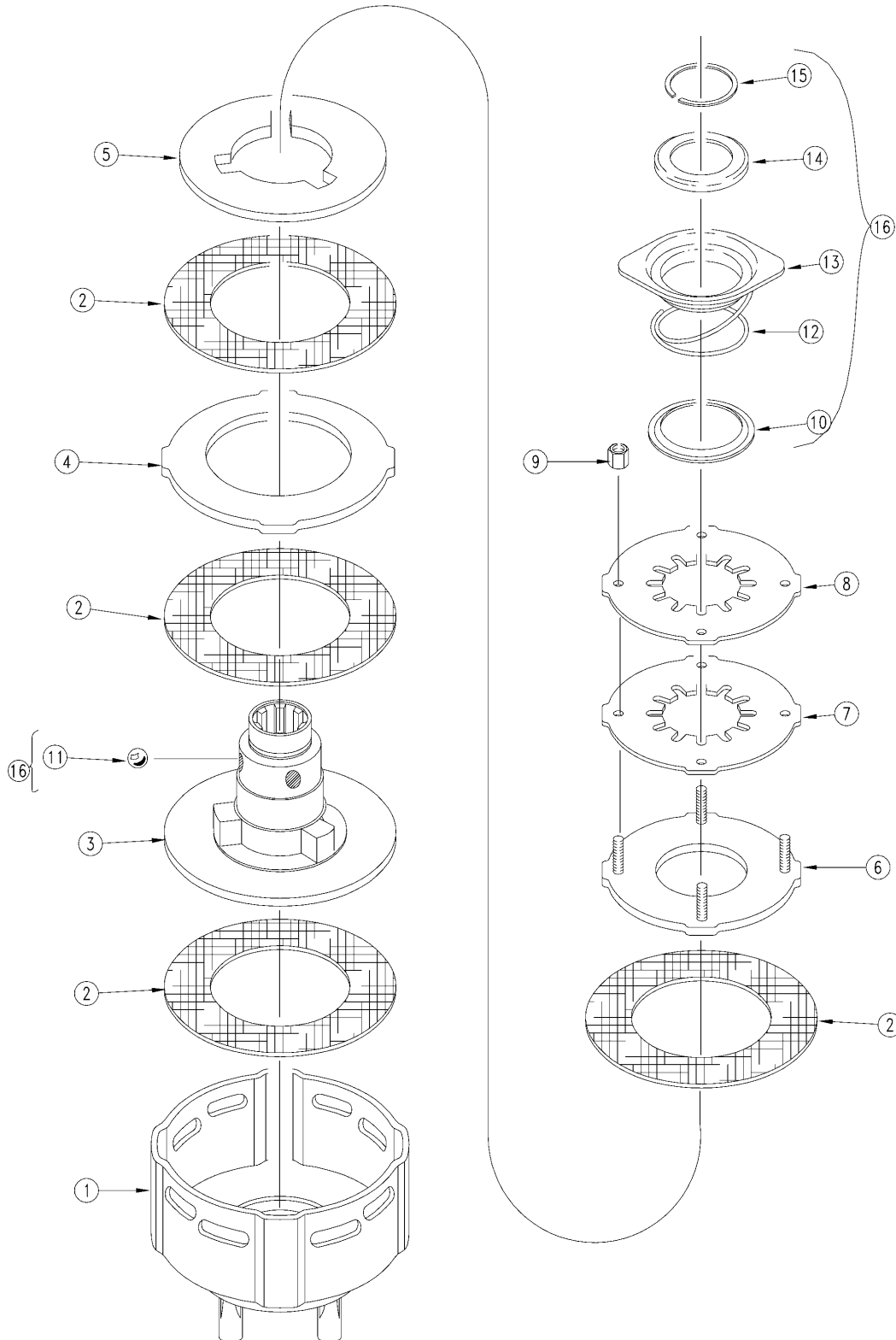
10451

***Driveline Pull Type 540 RPM (826-052C) Walterscheid*****Applies to RC35120**

<b>Ref</b>	<b>Part No.</b>	<b>Part Description</b>	<b>Comments</b>	<b>Revision</b>
	dwg10451	Drawing Image Number		
	826-052C	PTO W/STUB SHAFT/SC 540RPM		
1.	387949	WS PROFILE & STUB SHAFT WELDMT		
2.	312410	WS CROSS BEARING KIT		
3.	020617	WS SPRING PIN 10 X 20		
4.	019519	WS INBOARD YOKE		
5.	321166	WS FRICTION CLUTCH		
6.	377436	WS SHIELD CONE - 6 RIB		
7.	387952	WS INNER SHIELD TUBE ROUND		
8.	087276	WS BEARING RING - SC25		
9.	044321	WALTERSCHEID SAFETY CHAIN		
10.	355155	WS SUPPORT BEARING		
11.	383333	WALTERSCHEID DANGER DECAL-SHLD		
12.	383334	WALTERSCHEID DNGR DECAL-STEEL		
13.	365305	WALTERSCHEID SCREW		

### Driveline Slip Clutch (321166) Walterscheid

Applies to RC3560, RC3572, RC3584



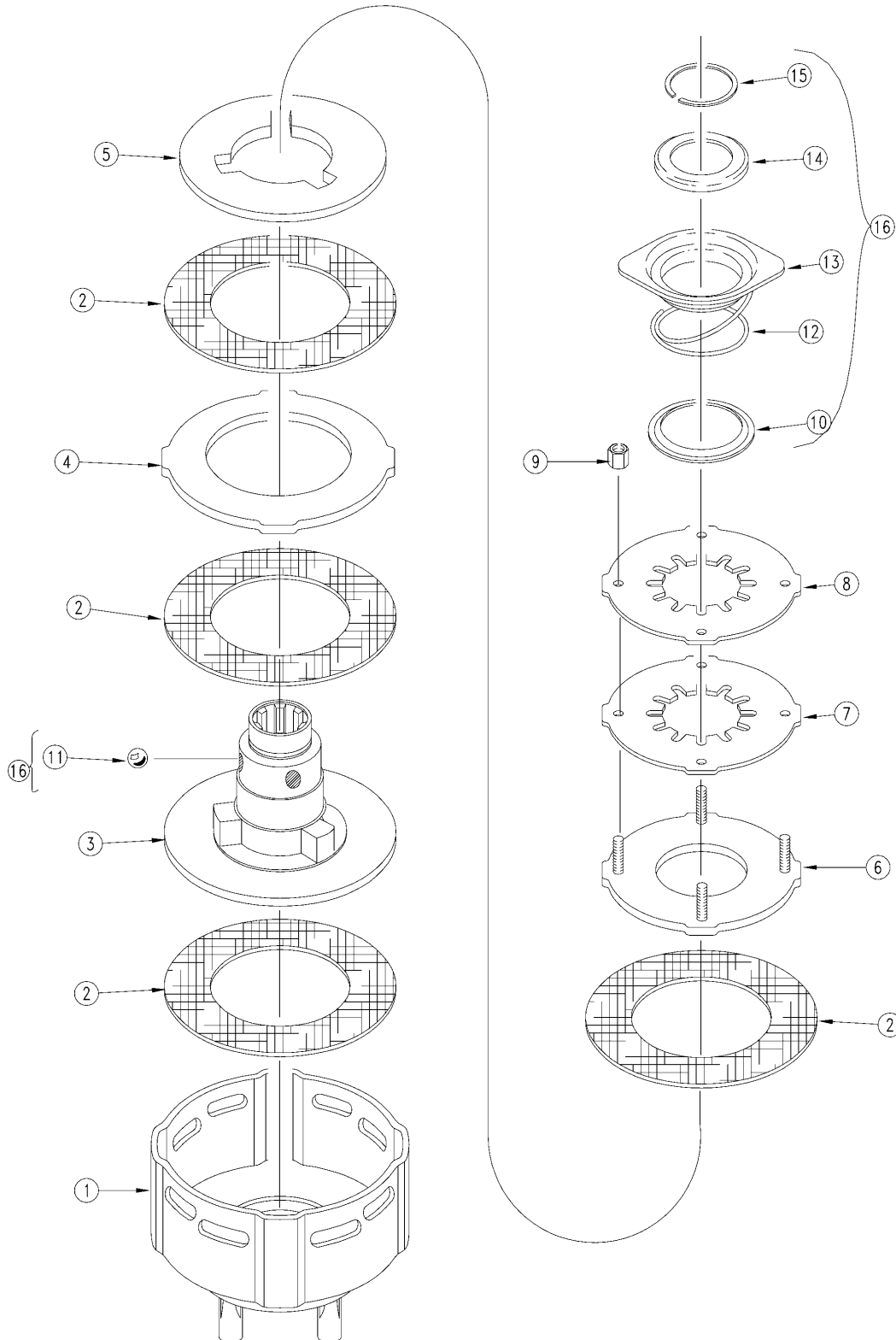
10855

***Driveline Slip Clutch (321166) Walterscheid*****Applies to RC3560, RC3572, RC3584**

<b>Ref</b>	<b>Part No.</b>	<b>Part Description</b>	<b>Comments</b>	<b>Revision</b>
	dwg10855	Drawing Image Number		
	321166	WS FRICTION CLUTCH		
1.	320527	WS CLUTCH HOUSING		
2.	168556	WS FRICTION DISK		
3.	051554	WS HUB 1 3/8" - 6 SPL.		
4.	042454	WS DRIVE PLATE		
5.	042459	WS DRIVE PLATE		
6.	381495	WALTERSCHEID THRUST PLATE		
7.	043487	WALTERSCHEID BELLEVILLE SPRING		
8.	043489	WS BELLEVILLE SPRING		
9.	381957	WALTERSCHEID HEX NUT M8		
10.	047825	WALTERSCHEID BACK UP RING		
11.	020692	WALTERSCHEID BALL		
12.	045793	WALTERSCHEID COMPRESSION SPRNG		
13.	045790	WALTERSCHEID LOCK COLLAR		
14.	338531	WS FLANGED RING		
15.	304149	WS SNAP RING		
16.	341953	WS Q.D. FLG. KIT	Includes one of items 10-15	

# Driveline Slip Clutch (321166) Walterscheid

Applies to RC35120



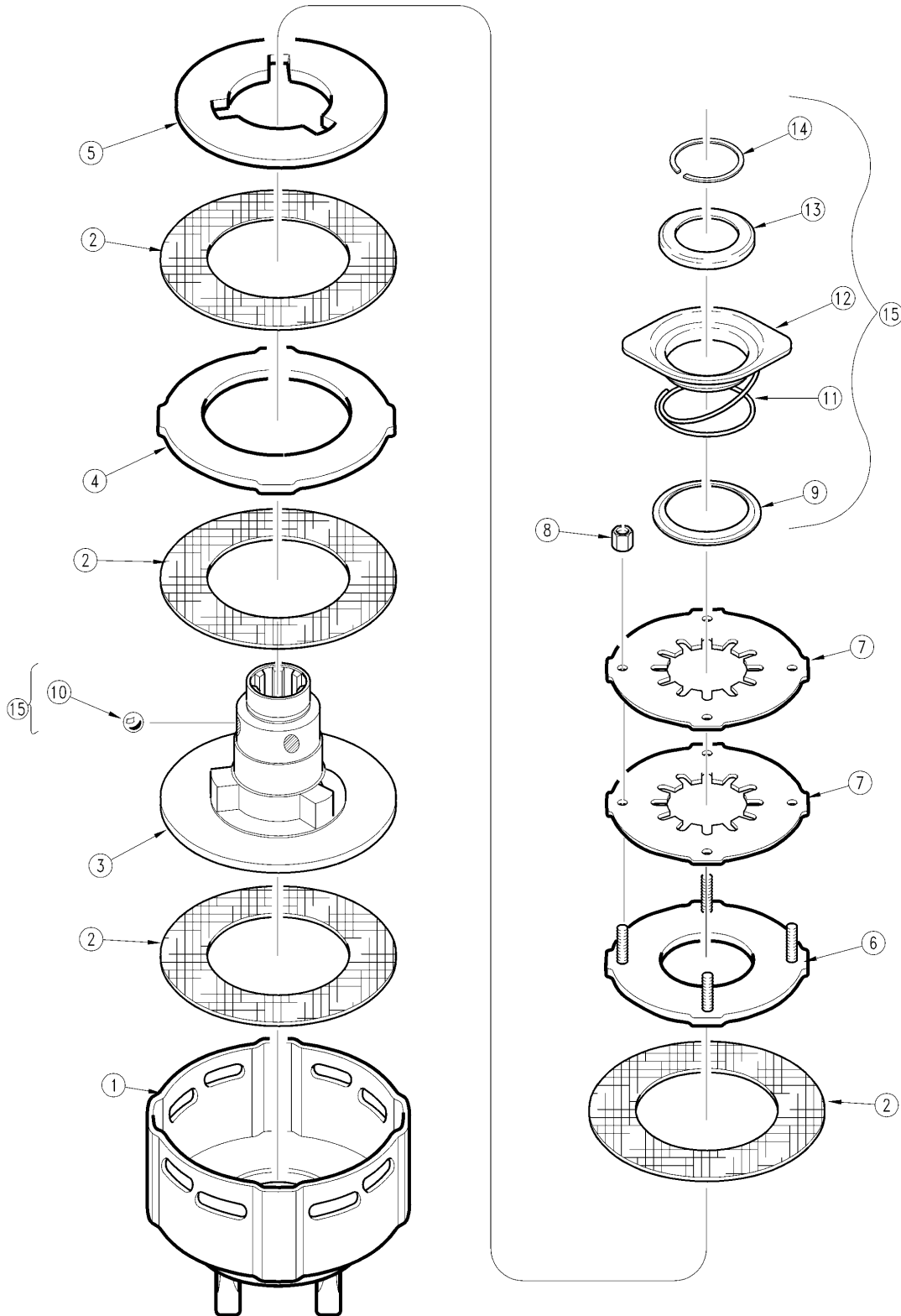
10855

***Driveline Slip Clutch (321166) Walterscheid*****Applies to RC35120**

<b>Ref</b>	<b>Part No.</b>	<b>Part Description</b>	<b>Comments</b>	<b>Revision</b>
	dwg10855	Drawing Image Number		
	321166	WS FRICTION CLUTCH		
1.	320527	WS CLUTCH HOUSING		
2.	168556	WS FRICTION DISK		
3.	051554	WS HUB 1 3/8" - 6 SPL.		
4.	042454	WS DRIVE PLATE		
5.	042459	WS DRIVE PLATE		
6.	381495	WALTERSCHEID THRUST PLATE		
7.	043487	WALTERSCHEID BELLEVILLE SPRING		
8.	043489	WS BELLEVILLE SPRING		
9.	381957	WALTERSCHEID HEX NUT M8		
10.	047825	WALTERSCHEID BACK UP RING		
11.	020692	WALTERSCHEID BALL		
12.	045793	WALTERSCHEID COMPRESSION SPRNG		
13.	045790	WALTERSCHEID LOCK COLLAR		
14.	045791	WALTERSCHEID FLANGED RING		
15.	304149	WS SNAP RING		
16.	341953	WS Q.D. FLG. KIT		

### Driveline Slip Clutch (329219) Walterscheid

Applies to RCM35120



10365

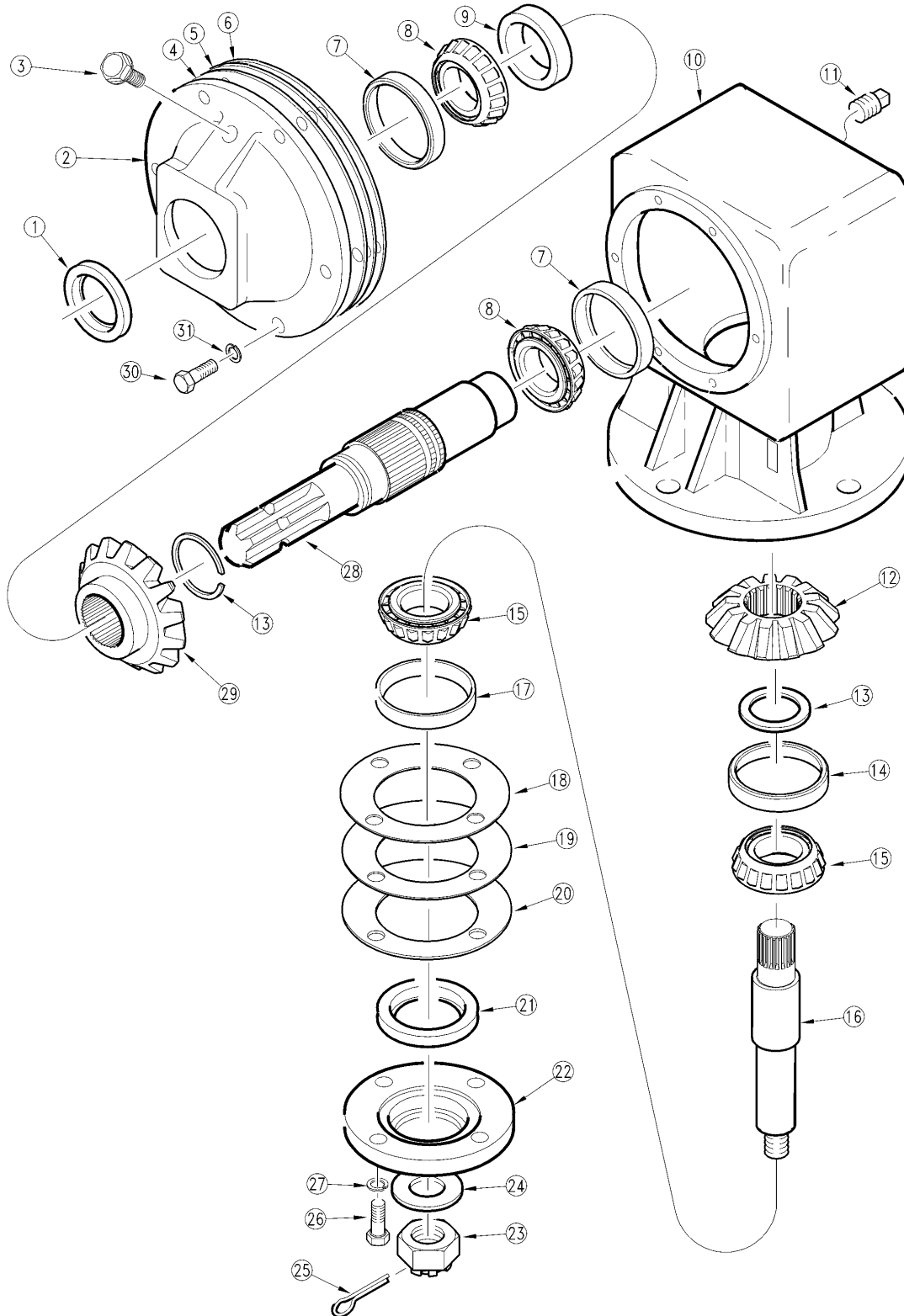


***Driveline Slip Clutch (329219) Walterscheid*****Applies to RCM35120**

<b>Ref</b>	<b>Part No.</b>	<b>Part Description</b>	<b>Comments</b>	<b>Revision</b>
	dwg10365	Drawing Image Number		
	329219	WS FRICTION CLUTCH		
1.	320527	WS CLUTCH HOUSING		
2.	168556	WS FRICTION DISK		
3.	051554	WS HUB 1 3/8" - 6 SPL.		
4.	042454	WS DRIVE PLATE		
5.	042459	WS DRIVE PLATE		
6.	381495	WALTERSCHEID THRUST PLATE		
7.	088193	WS BELLEVILLE SPRING		
8.	381957	WALTERSCHEID HEX NUT M8		
9.	047825	WALTERSCHEID BACK UP RING		
10.	020692	WALTERSCHEID BALL		
11.	045793	WALTERSCHEID COMPRESSION SPRNG		
12.	045790	WALTERSCHEID LOCK COLLAR		
13.	338531	WS FLANGED RING		
14.	304149	WS SNAP RING		
15.	341953	WS Q.D. FLG. KIT		

### Gearbox (826-036C) OMNI

Applies to RC3584



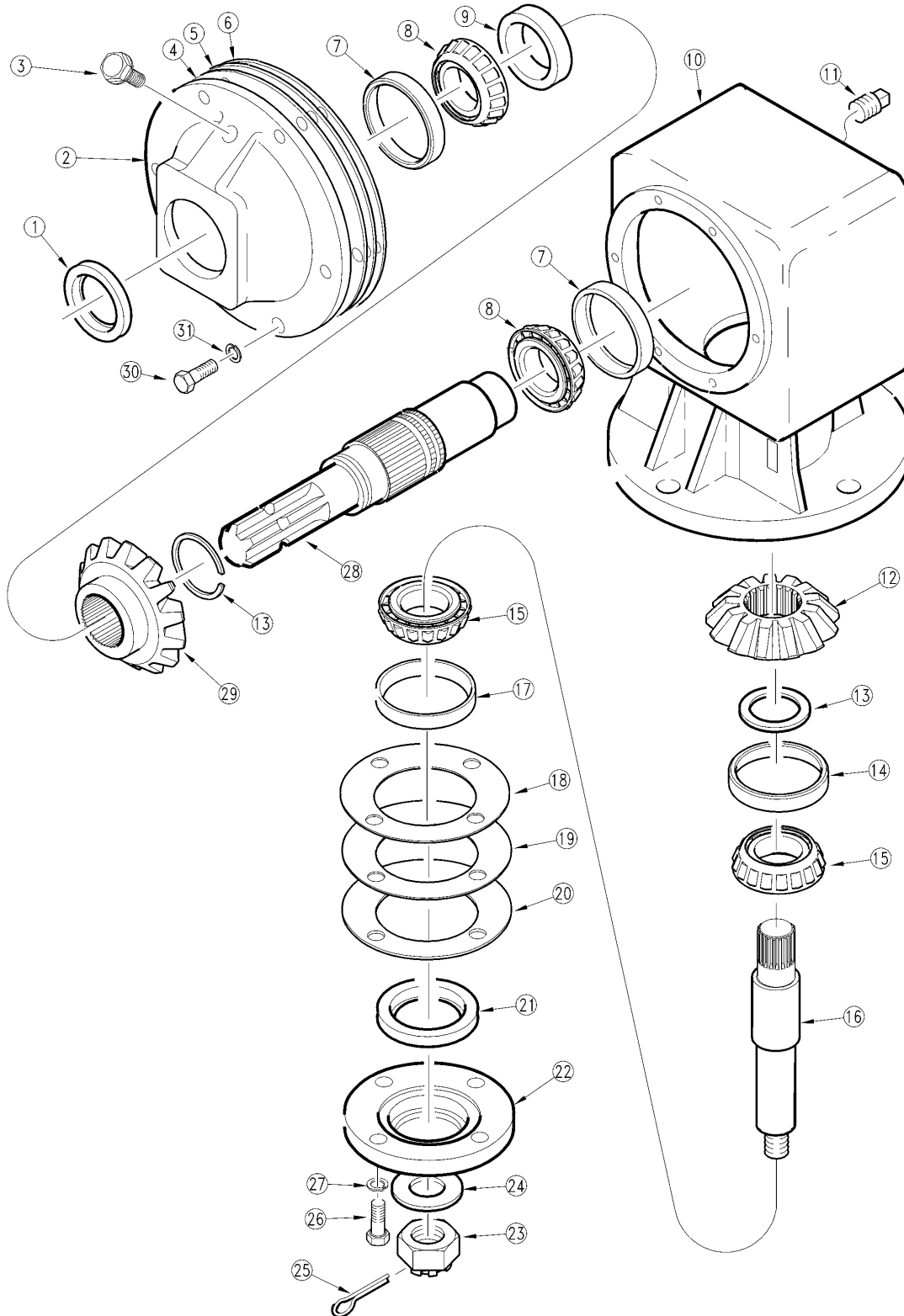
14173

**Gearbox (826-036C) OMNI****Applies to RC3584**

Ref	Part No.	Part Description	Comments	Revision
	dwg14173	Drawing Image Number		
	826-036C	GEARBOX RC81SS 1:1.21 INCREASR		
1.	060005	INPUT SEAL, OMNI		
2.	020006	OMNI INPUT CAP		
3.	140000	OMNI PIPE PLUG 1/2' SQ HEAD		
4.	070142	OMNI GASKET 0.10MM		
5.	070141	OMNI GASKET 0.15MM		
6.	070140	OMNI GASKET 0.30MM		
7.	050013	OMNI BEARING CUP - LM 603014		
8.	050012	OMNI BEARING CONE -LM603049		
9.	090015	SPACER, OMNI		
10.	010006	OMNI HOUSING		
11.	140017	OMNI PLUG PIPE SQ HEAD 1/8"		
12.	030041	OUTPUT PINION - 14 T., OMNI		
13.	200003	OMNI RETAINING RING		
14.	050014	BEARING CUP - 362A, OMNI		
15.	050008	OMNI BEARING CONE - 368		
16.	040034	OUTPUT SHAFT, OMNI		
17.	050015	BEARING CUP - 362, OMNI		
18.	070145	OMNI GASKET 0.10MM		
19.	070144	OMNI GASKET 0.15MM		
20.	070143	OMNI GASKET 0.30MM		
21.	060004	OMNI OUTPUT SEAL		
22.	020005	OMNI OUTPUT CAP		
23.	803-095C	NUT HEX SLOTTED 1-14		
24.	804-070C	FLAT WASHER 1" SPECIAL		
25.	805-017C	PIN COTTER 3/16 X 1 3/4 PLT		
26.	802-091C	HHCS 1/2-13X1 1/2 GR5		
27.	804-015C	WASHER LOCK SPRING 1/2 PLT		
28.	040146	OMNI INPUT SHAFT		
29.	030040	INPUT GEAR - 17 T., OMNI		
30.	802-079C	HHCS 3/8-16X1 1/4 GR5		
31.	804-013C	WASHER LOCK SPRING 3/8 PLT		

### Gearbox (826-037C) OMNI

Applies to RC3560, RC3572



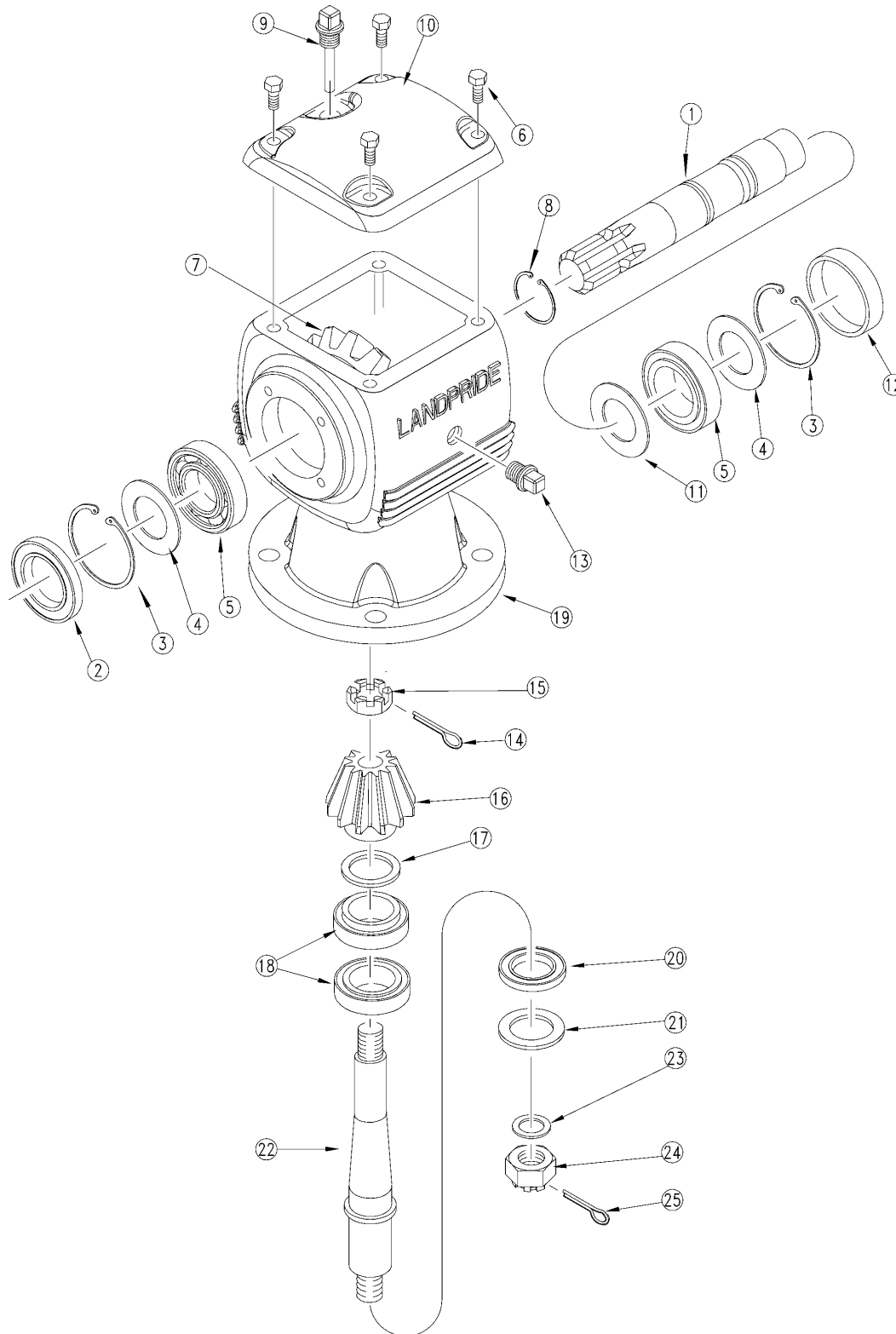
14173

**Gearbox (826-037C) OMNI****Applies to RC3560, RC3572**

Ref	Part No.	Part Description	Comments	Revision
	dwg14173	Drawing Image Number		
	826-037C	GEARBOX RC81SS 1:1.46 INCREASE		
1.	060005	INPUT SEAL, OMNI		
2.	020006	OMNI INPUT CAP		
3.	140000	OMNI PIPE PLUG 1/2" SQ HEAD		
4.	070142	OMNI GASKET 0.10MMI		
5.	070141	OMNI GASKET 0.15MM		
6.	070140	OMNI GASKET 0.30MM		
7.	050013	OMNI BEARING CUP - LM 603014		
8.	050012	OMNI BEARING CONE -LM603049		
9.	090003	SPACER, OMNI		
10.	010006	OMNI HOUSING		
11.	140017	OMNI PLUG PIPE SQ HEAD 1/8"		
12.	030038	OUTPUT PINION - 13 T., OMNI		
13.	200003	OMNI RETAINING RING		
14.	050014	BEARING CUP - 362A, OMNI		
15.	050008	OMNI BEARING CONE - 368		
16.	040034	OUTPUT SHAFT, OMNI		
17.	050015	BEARING CUP - 362, OMNI		
18.	070145	OMNI GASKET 0.10MM		
19.	070144	OMNI GASKET 0.15MM		
20.	070143	OMNI GASKET 0.30MM		
21.	060004	OMNI OUTPUT SEAL		
22.	020005	OMNI OUTPUT CAP		
23.	803-095C	NUT HEX SLOTTED 1-14		
24.	804-070C	FLAT WASHER 1" SPECIAL		
25.	805-017C	PIN COTTER 3/16 X 1 3/4 PLT		
26.	802-091C	HHCS 1/2-13X1 1/2 GR5		
27.	804-015C	WASHER LOCK SPRING 1/2 PLT		
28.	040146	OMNI INPUT SHAFT		
29.	030039	INPUT GEAR - 19 T., OMNI		
30.	802-079C	HHCS 3/8-16X1 1/4 GR5		
31.	804-013C	WASHER LOCK SPRING 3/8 PLT		

***Gearbox (826-376C) Comer (Service Part Only)***

**Applies to RC35120, RCM35120**



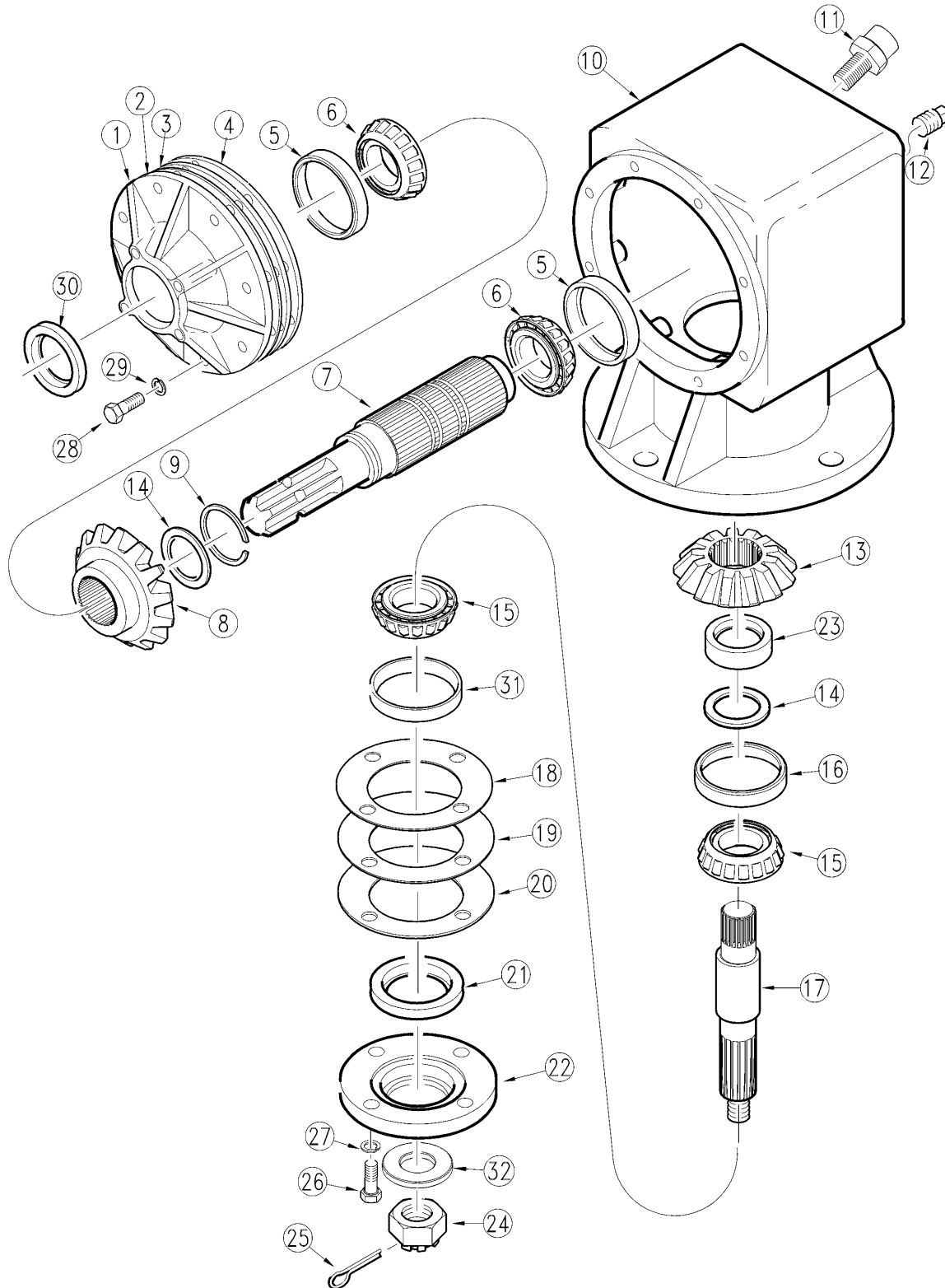
21186

**Gearbox (826-376C) Comer (Service Part Only)****Applies to RC35120, RCM35120**

Ref	Part No.	Part Description	Comments	Revision
	dwg21186	Drawing Image Number		
1.	0.210.2000.00	CO INPUT SHAFT 1.38-6		
2.	8.7.3.00331	CO OIL SEAL 45 X 85 X 10		
3.	8.5.2.00332	CO SNAP RING UNI 7437		
4.	0.709.7500.00	CO SHIM 84.7		
5.	8.0.9.00143	CO BEARING 30209 RTA25		
6.	8.1.1.00501	CO BOLT M8X22 HHB		
7.	0.210.6001.00	CO GEAR CROWN Z23 M6		
8.	8.5.1.00533	CO SNAP RING 50 UNI7435		
9.	0.210.7100.00	CO 3/8 GAS OIL VENT LEVEL PG.		
10.	0.210.1300.00	CO COVER		
11.	0.252.7525.00	CO SHIM 45.3X2.5		
12.	0.121.7101.00	CO CAP		
13.	8.6.6.00201	CO PLUG 3/8 GAS		
14.	8.4.7.02265	CO COTTER PIN B 5X60		
15.	0.132.7106.00	CO NUT M30 X 1.5		
16.	0.210.5001.00	CO PINION Z16 M6		
17.	0.712.7500.00	CO SHIM 50.3X70.3		
18.	04-011	ITG BEARING ASSEMBLY		
19.	0.210.0300.00	CO CASTING & MACHINE		
20.	8.7.1.01107	CO SEAL (50x90x10)		
21.	0.139.7100.00	CO SEAL RETAINER		
22.	0.210.3001.00	CO OUTPUT SHAFT		
23.	0.139.7101.00	CO BLANK WASHER		
24.	8.2.2.00555	CO NUT, CASTLE M30 X 2		
25.	8.4.7.00146	CO COTTER PIN B6 X 6		

# Gearbox 1000 RPM (826-060C) OMNI

Applies to RCM35120



15739

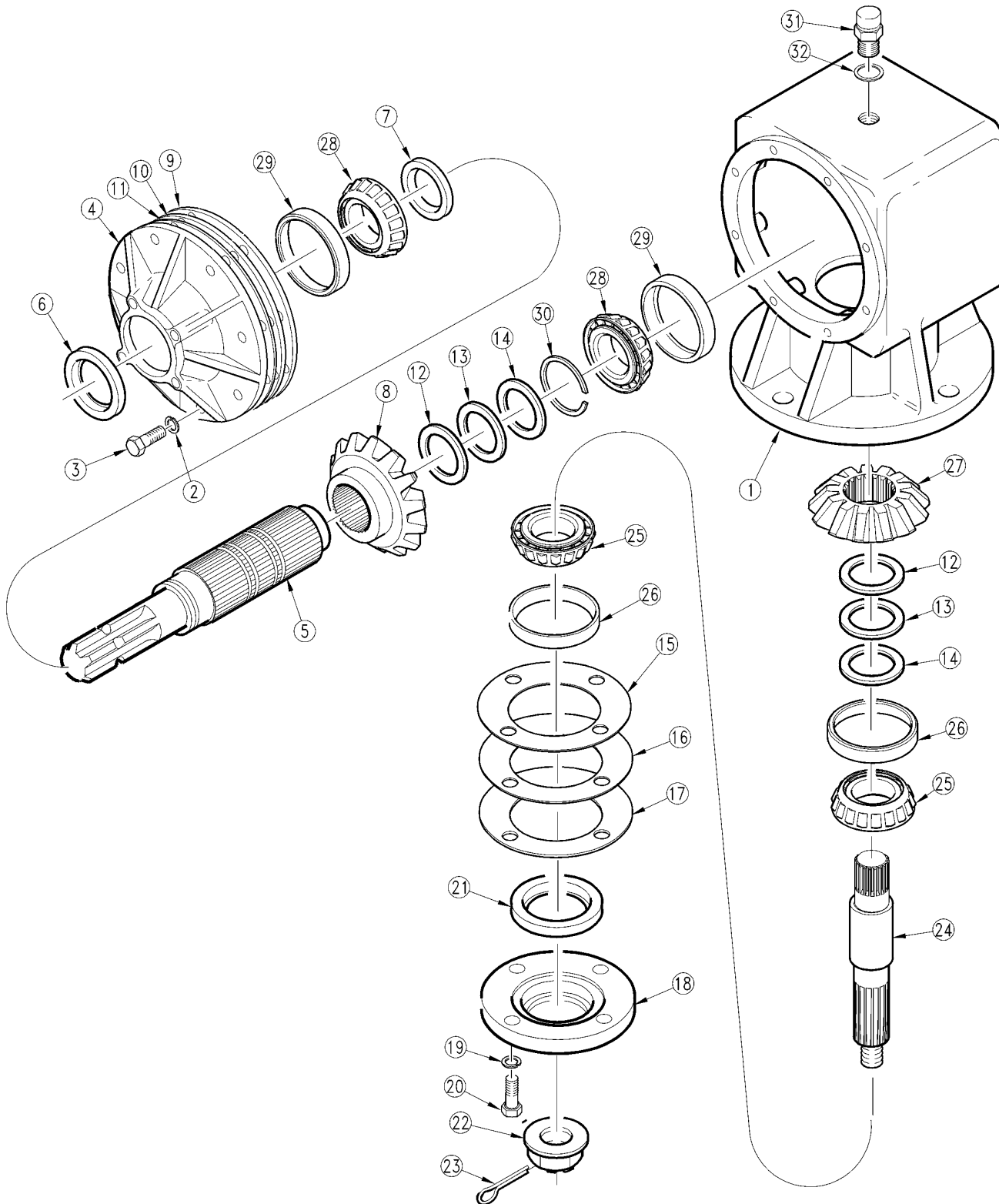


**Gearbox 1000 RPM (826-060C) OMNI****Applies to RCM35120**

Ref	Part No.	Part Description	Comments	Revision
	dwg15739	Drawing Image Number		
	826-060C	GEARBOX RC71SS 1.21:1 REDUC		
1.	020162	OMNI INPUT CAP	(S/N 107994+)	Rev. 2 not compat. w/Rev. 1
1.	020006	OMNI INPUT CAP	(S/N 107993-)	Rev. 1
2.	070142	OMNI GASKET 0.10MMI		
3.	070141	OMNI GASKET 0.15MM		
4.	070140	OMNI GASKET 0.30MM		
5.	050013	OMNI BEARING CUP - LM 603014		
6.	050012	OMNI BEARING CONE -LM603049		
7.	040135	OMNI INPUT SHAFT		
8.	030041	INPUT PINION - 14 T.,		
9.	200003	OMNI RETAINING RING		
10.	010160	OMNI HOUSING RC71SS	(S/N 160730+)	Rev. 3 not compat. w/Rev. 2
10.	010112	OMNI HOUSING	(S/N 107994 <-> 160729)	Rev. 2 not compat. w/Rev. 2
10.	010059	OMNI HOUSING	(S/N 107993-)	Rev. 1
11.	140033	OMNI PLUG VENT 1/2"		
12.	140017	OMNI PLUG PIPE SQ HEAD 1/8"		
13.	030040	OUTPUT GEAR - 17 T.,		
14.	090073	OMNI SHIM .25		
15.	050008	OMNI BEARING CONE - 368		
16.	050014	BEARING CUP - 362A, OMNI	(S/N 107994+)	Rev. 2 not compat. w/Rev. 1
16.	050015	BEARING CUP - 362, OMNI	(S/N 107993-)	Rev. 1
17.	040112	OUTPUT SHAFT, OMNI		
18.	070145	OMNI GASKET 0.10MM		
19.	070144	OMNI GASKET 0.15MM		
20.	070143	OMNI GASKET 0.30MM		
21.	060004	OMNI OUTPUT SEAL		
22.	020005	OMNI OUTPUT CAP		
23.	090015	SPACER, OMNI		
24.	803-079C	NUT HEX SLOTTED 1-14		
25.	805-017C	PIN COTTER 3/16 X 1 3/4 PLT		
26.	802-091C	HHCS 1/2-13X1 1/2 GR5		
27.	804-015C	WASHER LOCK SPRING 1/2 PLT		
28.	802-079C	HHCS 3/8-16X1 1/4 GR5		
29.	804-013C	WASHER LOCK SPRING 3/8 PLT		
30.	060005	INPUT SEAL, OMNI		
31.	050015	BEARING CUP - 362A, OMNI		
32.	804-070C	FLAT WASHER 1 SPECIAL		

# Gearbox 540 RPM (826-035C) ITG

Applies to RC35120



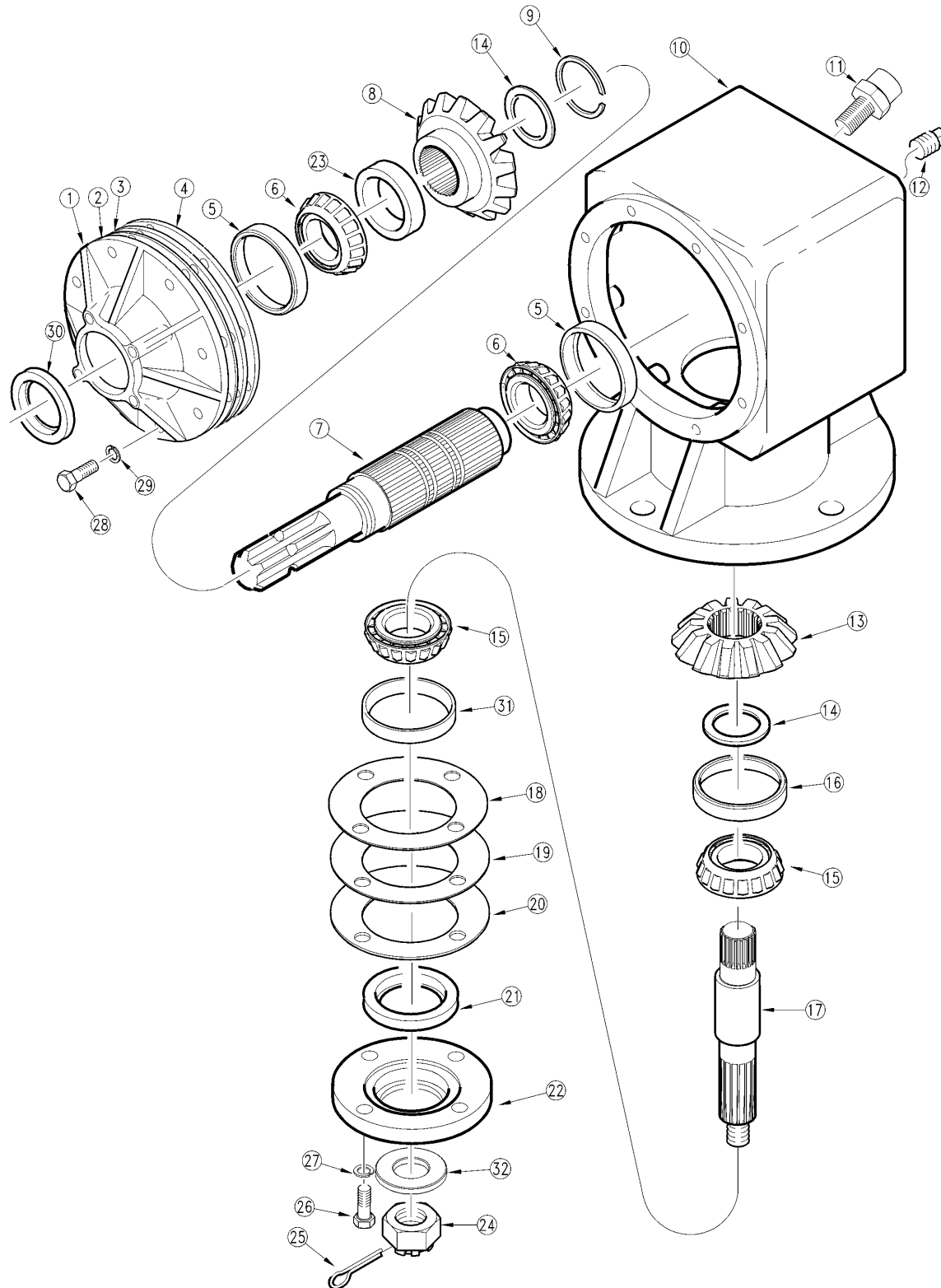
15090

**Gearbox 540 RPM (826-035C) ITG****Applies to RC35120**

<b>Ref</b>	<b>Part No.</b>	<b>Part Description</b>	<b>Comments</b>	<b>Revision</b>
	dwg15090	Drawing Image Number		
	826-035C	GEARBOX RC71SS 1:1.46 INCREASE		
1.	18-027	ITG HOUSING		
2.	07-001	ITG M10 LOCKWASHER		
3.	06-017	ITG HEX HEAD CAP SCREW		
4.	20-026	ITG INPUT CAP		
5.	02-054	ITG INPUT SHAFT		
6.	05-014	ITG INPUT OIL SEAL		
7.	10-027	ITG SPACER		
8.	03-060	ITG 19 TOOTH GEAR		
9.	08-006	ITG INPUT CAP GASKET 0.15		
10.	08-007	ITG INPUT CAP GASKET 0.25		
11.	08-006	ITG INPUT CAP GASKET 0.15		
12.	17-001	ITG SHIM 0.4		
13.	17-002	ITG SHIM 0.3		
14.	17-003	ITG SHIM 0.5		
15.	08-001	ITG OUTPUT CAP GASKET 0.15		
16.	08-002	ITG OUTPUT CAP GASKET 0.25		
17.	08-003	ITG OUTPUT CAP GASKET 0.45		
18.	20-025	ITG OUTPUT CAP		
19.	07-010	ITG LOCKWASHER		
20.	06-018	ITG HEX HEAD CAP SCREW		
21.	05-003	ITG OUTPUT OIL SEAL		
22.	11-008	ITG 1-14 FLANGED HEX NUT		
23.	12-003	ITG COTTER PIN		
24.	02-053	ITG OUTPUT SHAFT		
25.	04-010	ITG BEARING CONE		
26.	04-009	ITG BEARING CUP		
27.	03-061	ITG 13 TOOTH GEAR		
28.	04-007	ITG BEARING CONE		
29.	04-008	BEARING CUP		
30.	21-001	ITG RETAINING RING		
31.	09-011	ITG M18 X 1.5P PLUG VENTED		
32.	07-022	ITG SEALING WASHER		

# Gearbox 540 RPM (826-035C) OMNI

Applies to RC35120



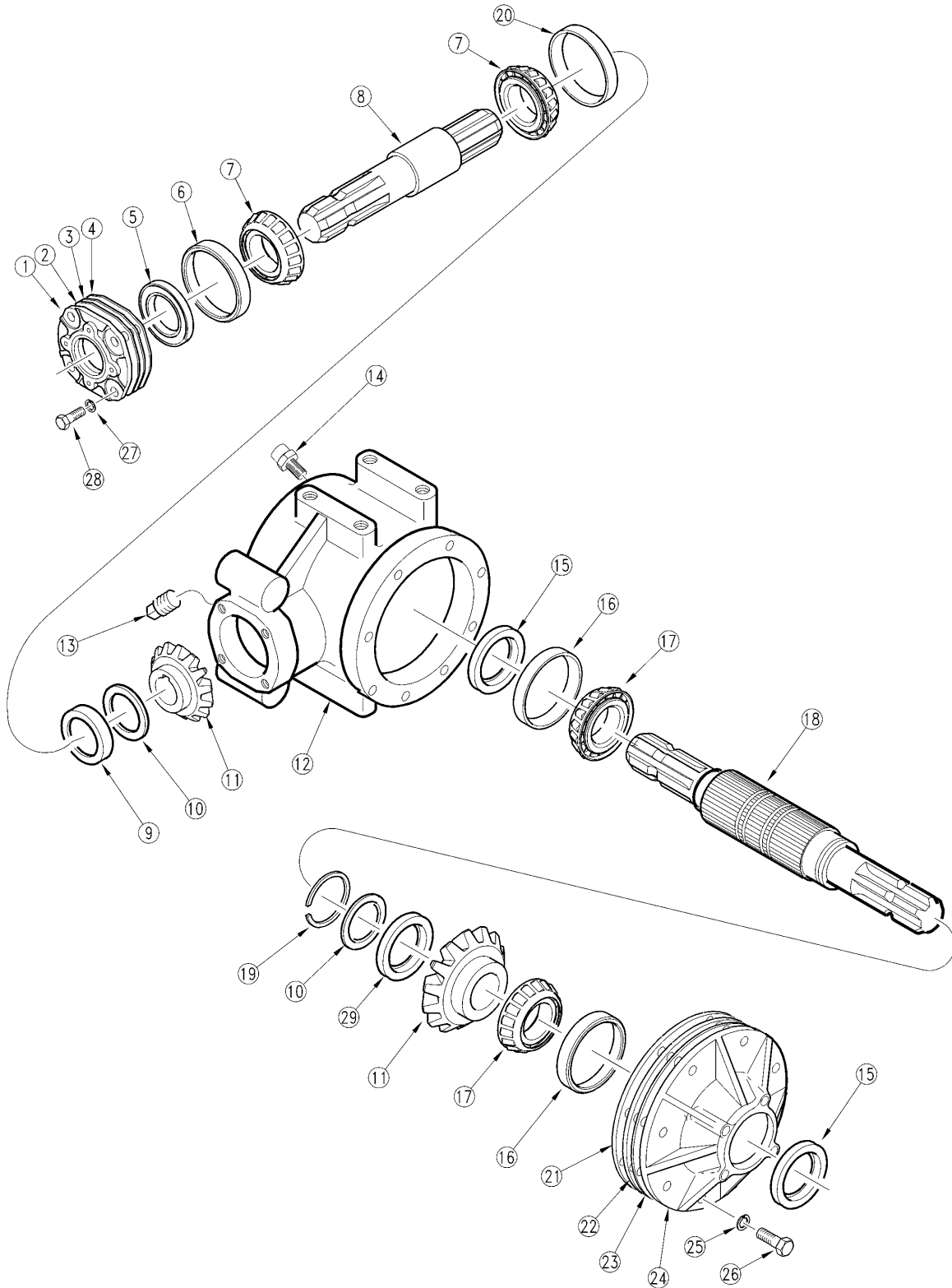
15740

**Gearbox 540 RPM (826-035C) OMNI****Applies to RC35120**

Ref	Part No.	Part Description	Comments	Revision
	dwg15740	Drawing Image Number		
	826-035C	GEARBOX RC71SS 1:1.46 INCREASE		
1.	020162	OMNI INPUT CAP	(S/N 107994+)	Rev. 2 not compat. w/Rev. 1
1.	020006	OMNI INPUT CAP	(S/N 107993-)	Rev. 1
2.	070142	OMNI GASKET 0.10MMI		
3.	070141	OMNI GASKET 0.15MM		
4.	070140	OMNI GASKET 0.30MM		
5.	050013	OMNI BEARING CUP - LM 603014		
6.	050012	OMNI BEARING CONE -LM603049		
7.	040135	OMNI INPUT SHAFT		
8.	030039	INPUT GEAR - 19 T., OMNI		
9.	200003	OMNI RETAINING RING		
10.	010160	OMNI HOUSING RC71SS	(S/N 160730+)	Rev. 3 not compat. w/Rev. 2
10.	010112	OMNI HOUSING	(S/N 107994 <-> 160729)	Rev. 2 not compat. w/Rev. 1
10.	010059	OMNI HOUSING	(S/N 107993-)	Rev. 1
11.	140033	OMNI PLUG VENT 1/2"		
12.	140017	OMNI PLUG PIPE SQ HEAD 1/8"		
13.	030038	OUTPUT PINION - 13 T., OMNI		
14.	090073	OMNI SHIM .25		
15.	050008	OMNI BEARING CONE - 368		
16.	050014	BEARING CUP - 362A, OMNI	(S/N 107994+)	Rev. 2 not compat. w/Rev. 1
16.	050015	BEARING CUP - 362, OMNI	(S/N 107993-)	Rev. 1
17.	040112	OUTPUT SHAFT, OMNI		
18.	070145	OMNI GASKET 0.10MM		
19.	070144	OMNI GASKET 0.15MM		
20.	070143	OMNI GASKET 0.30MM		
21.	060004	OMNI OUTPUT SEAL		
22.	020005	OMNI OUTPUT CAP		
23.	090055	SPACER, OMNI		
24.	803-095C	NUT HEX SLOTTED 1-14		
25.	805-017C	PIN COTTER 3/16 X 1 3/4 PLT		
26.	802-091C	HHCS 1/2-13X1 1/2 GR5		
27.	804-015C	WASHER LOCK SPRING 1/2 PLT		
28.	802-079C	HHCS 3/8-16X1 1/4 GR5		
29.	804-013C	WASHER LOCK SPRING 3/8 PLT		
30.	060005	INPUT SEAL, OMNI		
31.	050015	BEARING CUP - 362, OMNI		
32.	804-070C	FLAT WASHER 1 SPECIAL		

**Gearbox, T-Box (826-040C)**

Applies to RC35120, RCM35120



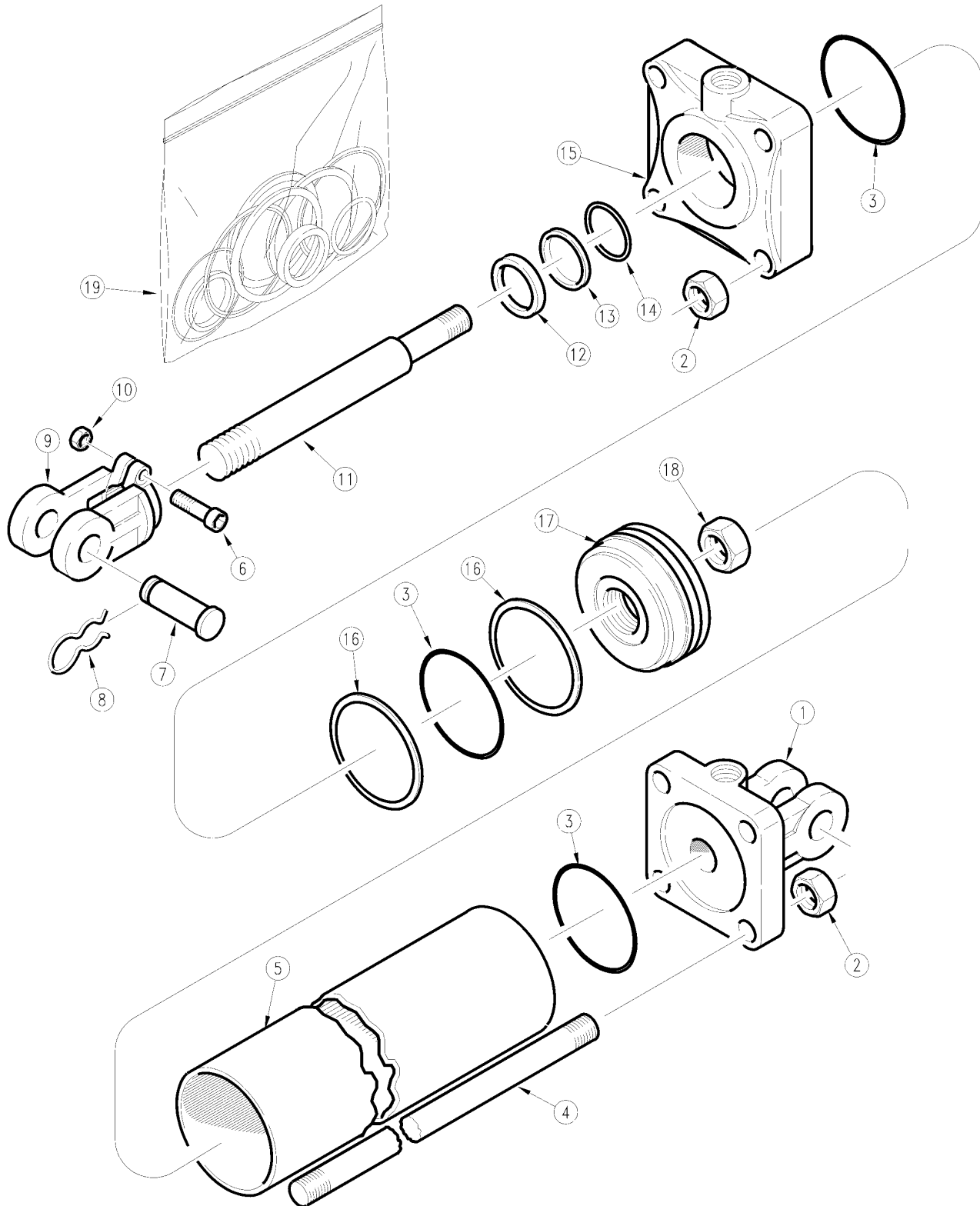
14122

**Gearbox, T-Box (826-040C)****Applies to RC35120, RCM35120**

Ref	Part No.	Part Description	Comments	Revision
	dwg14122	Drawing Image Number		
	826-040C	T-BOX RC 61T 1:1 SPLINED		
1.	020172	OMNI CAP INPUT W/SHIELD HOLES	(SN 107994+)	Rev. 2 not compat. w/Rev. 1
1.	020007	OMNI OUTPUT CAP	(SN 107993-)	Rev. 1
2.	070148	OMNI GASKET 0.1		
3.	070147	OMNI GASKET 0.15		
4.	070146	OMNI GASKET 0.3		
5.	060004	OMNI OUTPUT SEAL	Use on input shaft	
6.	050015	BEARING CUP - 362, OMNI		
7.	050008	OMNI BEARING CONE - 368		
8.	040147	OMNI INPUT SHAFT		
9.	090015	SPACER, OMNI		
10.	090073	OMNI SHIM .25	(SN 107994+)	Rev. 2 not compat. w/Rev. 1
10.	070140	GASKET - .30, OMNI	(SN 107993-)	Rev. 1
10.	070141	GASKET - .15, OMNI	(SN 107993-)	Rev. 1
11.	030033	OMNI GEAR 17T		
12.	010101	OMNI HOUSING RC-61T SM	(SN 107994+)	Rev. 2 not compat.
12.	010061	OMNI HOUSING	(SN 107993-)	Rev. 1
13.	140000	OMNI PIPE PLUG 1/2' SQ HEAD		
14.	140033	OMNI PLUG VENT 1/2"		
15.	060005	INPUT SEAL, OMNI	Use on output shaft	
16.	050013	OMNI BEARING CUP - LM 603014		
17.	050012	OMNI BEARING CONE -LM603049		
18.	040115	OMNI OUTPUT SHAFT		
19.	200003	OMNI RETAINING RING		
20.	050014	BEARING CUP - 362A, OMNI	(SN 107994+)	Rev. 2 not compat. w/Rev. 1
20.	050015	BEARING CUP - 362, OMNI	(SN 107993-)	Rev. 1
21.	070142	GASKET - .10, OMNI		
22.	070141	GASKET - .15, OMNI		
23.	070140	GASKET - .30, OMNI		
24.	020162	OMNI INPUT CAP	(SN 107994+)	Rev. 2 not compat. w/Rev. 1
24.	020006	OMNI INPUT CAP	(SN 107993-)	Rev. 1
25.	804-013C	WASHER LOCK SPRING 3/8 PLT		
26.	802-079C	HHCS 3/8-16X1 1/4 GR5		
27.	804-015C	WASHER LOCK SPRING 1/2 PLT		
28.	802-091C	HHCS 1/2-13X1 1/2 GR5		
29.	090056	OMNI SPACER		

### Cylinder Cross Hydraulic (810-162C)

Applies to RC35120, RCM35120



11421

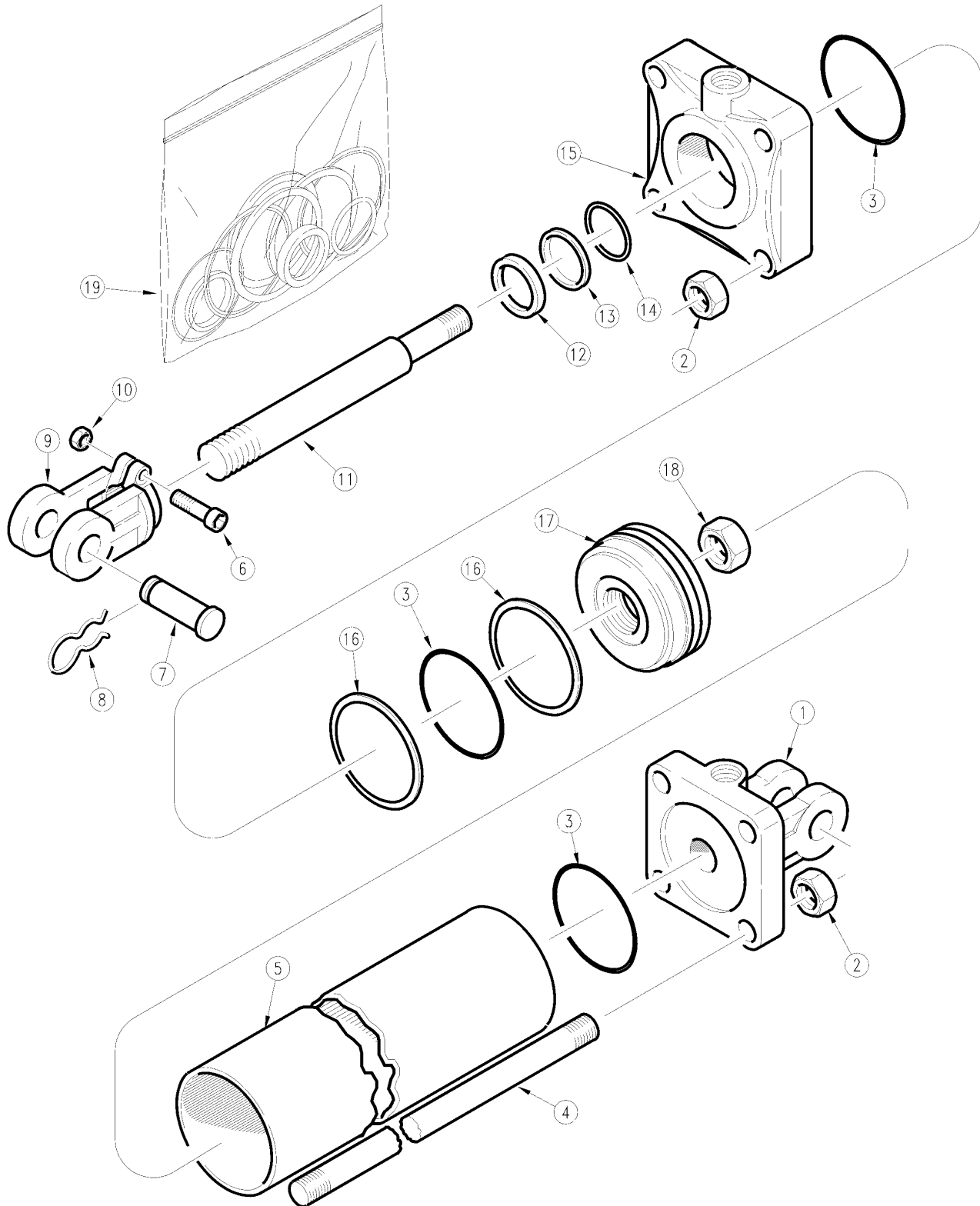


**Cylinder Cross Hydraulic (810-162C)****Applies to RC35120, RCM35120**

<b>Ref</b>	<b>Part No.</b>	<b>Part Description</b>	<b>Comments</b>	<b>Revision</b>
	dwg11421	Drawing Image Number		
	810-162C	CYL 3.5X8X1.25 ROD (TIE ROD)		
1.	1D1509-4	BASE CROSS		
2.	2A0236-9	TIE ROD NUT CROSS		
3.		O-RING	Only found in seal kit 19.	
4.	2A0581-1325	TIE ROD CROSS		
5.	1D0009-1050	TUBE CROSS		
6.	2A0079-616	CROSS SCREW, CAP		
7.	1D1551-16275	CROSS CLEVIS PIN		
8.	2A0308-1	CROSS PIN, CLIP		
9.	1D1003-5	CROSS ROD CLEVIS		
10.	2A0235-6	CROSS NUT, CLEVIS & TIE ROD		
11.	1D0205-1262	ROD CROSS		
12.		WIPER	Only found in seal kit 19.	
13.		BACKUP ROD	Only found in seal kit 19.	
14.		O-RING	Only found in seal kit 19.	
15.	1D1159-4	HEAD CROSS		
16.		BACKUP PISTON	Only found in seal kit 19.	
17.	1D1401-350	PISTON CROSS		
18.	1A1141	PISTON NUT CROSS		
19.	810-146C	SEAL KIT CROSS 3.5 CYL 1C4429		

### Cylinder Lion Hydraulic (810-162C)

Applies to RC35120, RCM35120



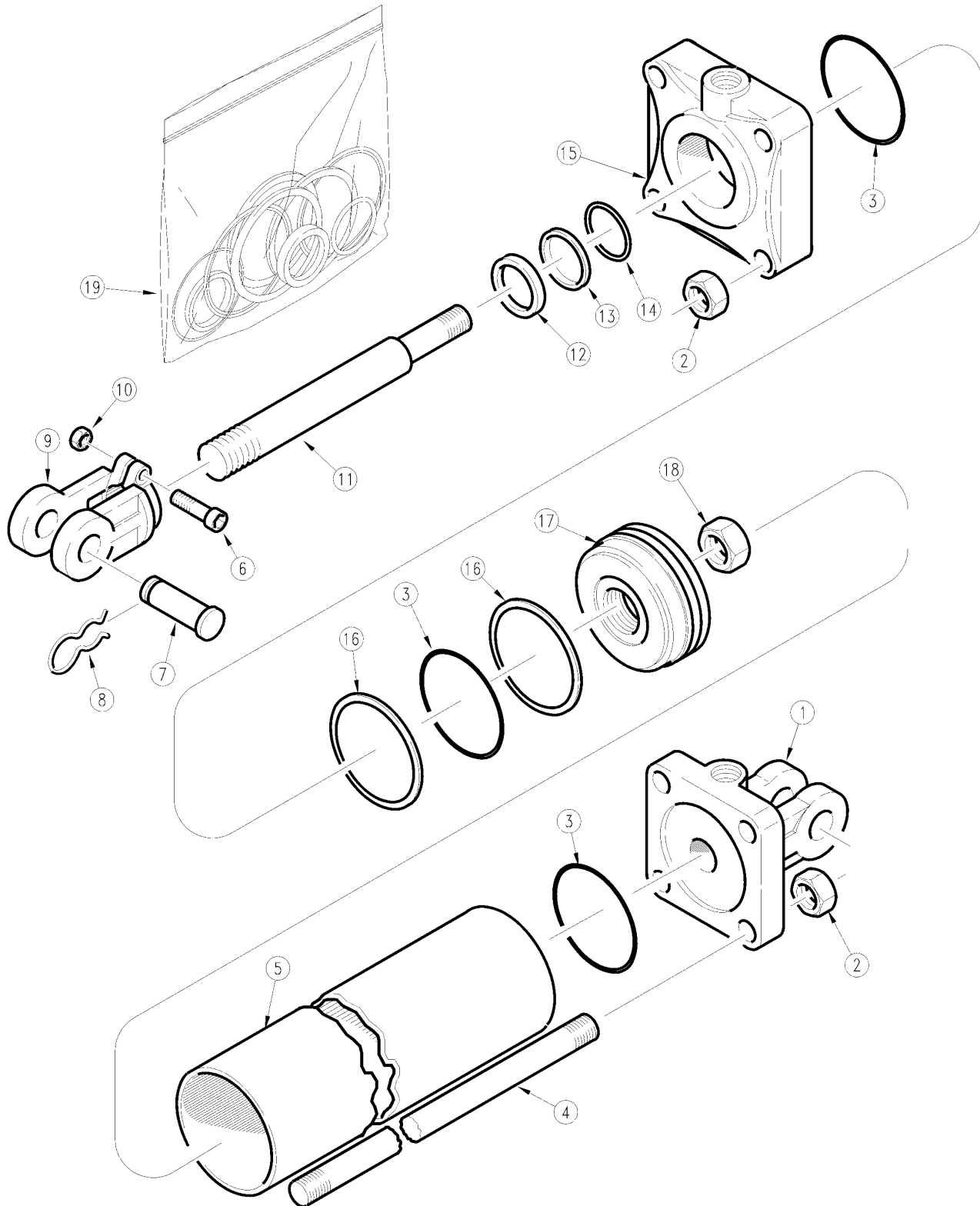
11421

**Cylinder Lion Hydraulic (810-162C)****Applies to RC35120, RCM35120**

<b>Ref</b>	<b>Part No.</b>	<b>Part Description</b>	<b>Comments</b>	<b>Revision</b>
	dwg11421	Drawing Image Number		
	810-162C	CYL 3.5X8X1.25 ROD (TIE ROD)		
1.	492676	LION CLEVIS CAP 3.5 ORB		
2.	128271	RPBY 803-022C		
3.		O-RING	Only found in seal kit 19.	
4.	492338	LION TIE ROD 5/8 X 8		
5.	491798	LION CYL. TUBE 3.5 X 8		
6.	148390	RPBY 801-023C		
7.	134953	LION PIN		
8.	134952	LION PIN CLIP-CLEVIS		
9.	492652	LION ROD CLEVIS 1 1/4 (1"PIN)		
10.	498006	LION THREAD LOCK-NYLON		
11.	492700	LION ROD 1.25 DIA. ASAE 8		
12.		WIPER	Only found in seal kit 19.	
13.		BACKUP ROD	Only found in seal kit 19.	
14.		O-RING	Only found in seal kit 19.	
15.	492677	LION ROD CAP 3.5 X 1 1/4 ORB		
16.		BACKUP PISTON	Only found in seal kit 19.	
17.	492528	LION PISTON 3.5 DIA CST DI		
18.	129110	LION NUT HEX 1-14UNS GR5 PHOSP		
19.	e810-256C	SEAL KIT LN 639577 3.5BX1.25RD		

### Cylinder Midway Hydraulic (810-162C)

Applies to RC35120, RCM35120



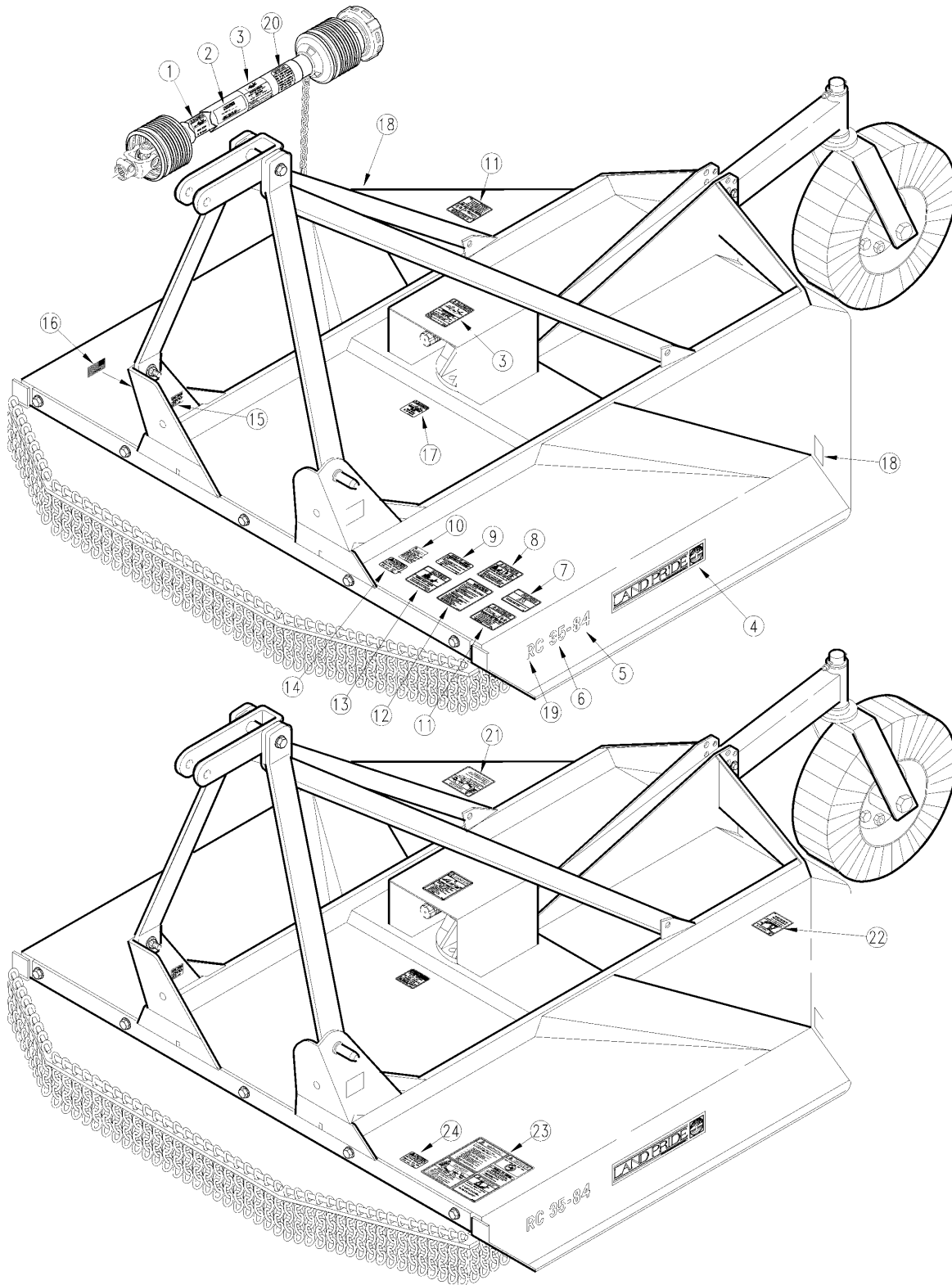
11421

**Cylinder Midway Hydraulic (810-162C)****Applies to RC35120, RCM35120**

Ref	Part No.	Part Description	Comments	Revision
	dwg11421	Drawing Image Number		
	810-162C	CYL 3.5X8X1.25 ROD (TIE ROD)		
1.	6M5142	MW BASE (STD 1" PIN)		
2.	2A0016	MW TIE ROD NUT		
3.		O-RING	Only found in seal kit 19.	
4.	7M5316	MW ROD		
5.	5M5116	MW TUBE 3 1/2 X 8 CYLINDER		
6.	2A0006	MW CAPSCREW		
7.	2A0208	MW CLEVIS PIN		
8.	2A0132	MW PIN CLIP		
9.	1M6010	MW CLEVIS STD. DUTY		
10.	2A0012	MW NUT CLEVIS & TIE ROD		
11.	2M5414	MW TIE ROD		
12.		WIPER	Only found in seal kit 19.	
13.		BACKUP ROD	Only found in seal kit 19.	
14.		O-RING	Only found in seal kit 19.	
15.	3M5408	MW HEAD		
16.		BACKUP PISTON	Only found in seal kit 19.	
17.	4M5102	MW PISTON 3 1/2 DIA.		
18.	2A0024	MW PISTON NUT 1"-14		
19.	810-149C	SEAL KIT 810-104C MW 3A5102		

### Label Placement

Applies to RC3560, RC3572, RC3584



10463

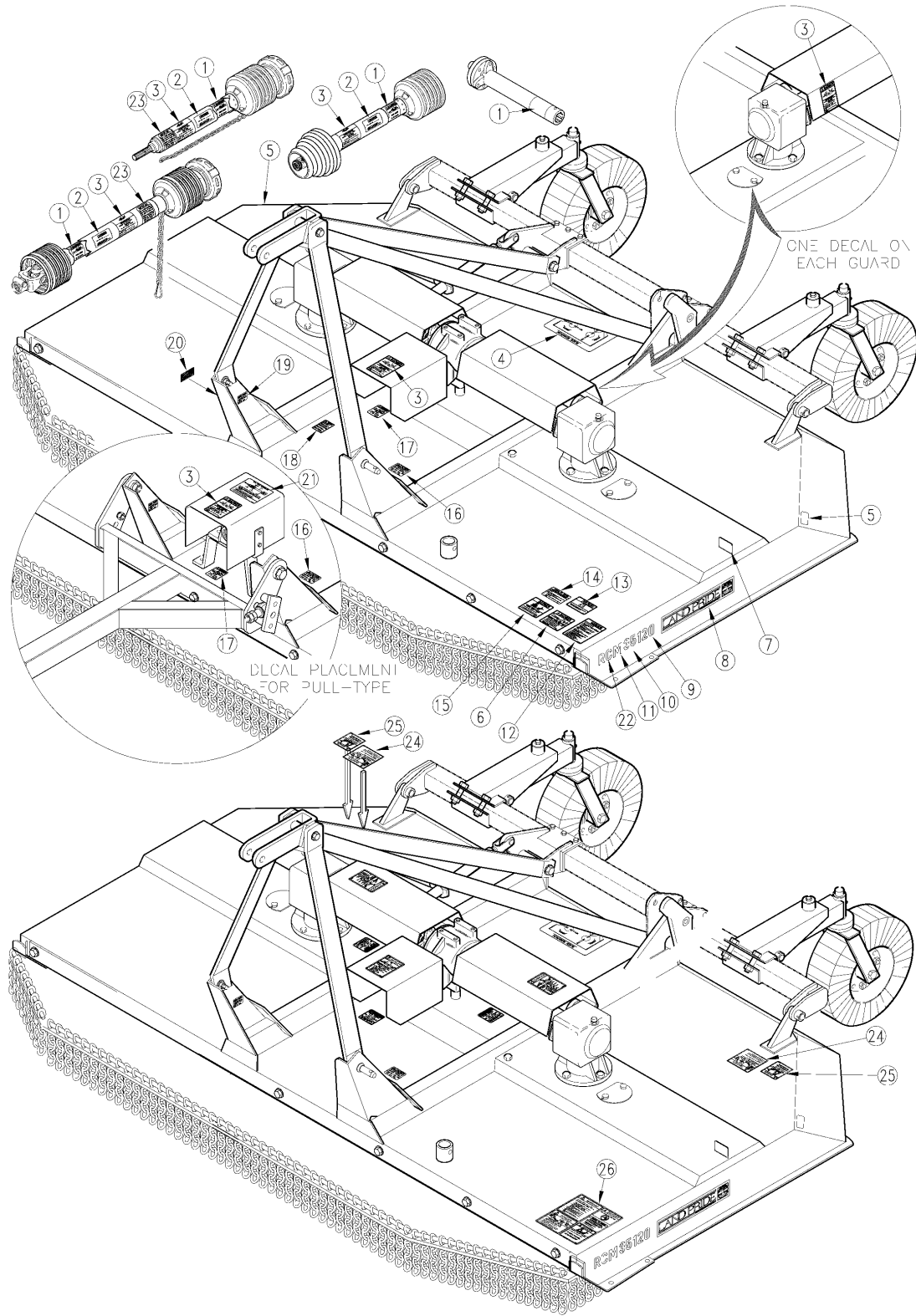
## Label Placement

### Applies to RC3560, RC3572, RC3584

Ref	Part No.	Part Description	Comments	Revision
	dwg10463	Drawing Image Number		
1.	818-540C	DECAL DANGER GUARD MISS PTO		
2.	818-206C	DECAL-PTO RC2560,3560 & 35120		
2.	818-195C	DECAL PTO RC25&3572		
2.	818-192C	DECAL PTO 826-072C		
3.	818-552C	DECAL DANGER PTO DRIVELINE		
4.	818-162C	LP LOGO LARGE GREEN		
5.	818-090C	DECAL 60" LP - BLACK		
5.	818-092C	DECAL 72" LP - BLACK		
5.	818-094C	DECAL 84" LP - BLACK		
6.	818-086C	DECAL 35 SERIES LP - BLACK		
7.	818-557C	DECAL DANGER CANNOT READ ENG		
8.	818-564C	DECAL RC OSHA AG CHAIN GUARD		
9.	818-560C	DECAL NOTICE TO OWNER-WARRANTY		
10.	818-161C	DECAL CAUTION GENERAL RC SAFE		
11.	818-555C	DECAL DANGER ROTATE BLADE	Replaced by item #21 part # 818-564C only on the right rear of deck.	
12.	818-554C	DECAL WARNING GEN SAFE CUTTER		
13.	818-556C	DECAL DANGER THROWN OBJ CUTTER		
14.	818-130C	DECAL CAUTION 540 RPM		
15.	819-036C	I.D. PLATE - LAND PRIDE		
16.	818-190C	DECAL FLAG		
17.	818-187C	DECAL DANGER DRIVELINE SHIELD		
18.	818-230C	DECAL RED REFLECTOR		
19.	818-741C	DECAL RC LAND PRIDE BLACK		
20.	818-680C	DECAL IMPORTANT - SLIP CLUTCH	(S/N 211783+)	
21.	818-564C	DECAL DANGER ROTATING BLADES		
22.	818-556C	DECAL DANGER THROWN OBJ CUTTER		
23.	818-830C	DECAL SAFETY COMBO SUNWEST		
24.	818-130C	DECAL CAUTION 540 RPM		

# Label Placement

Applies to RC35120, RCM35120



14179



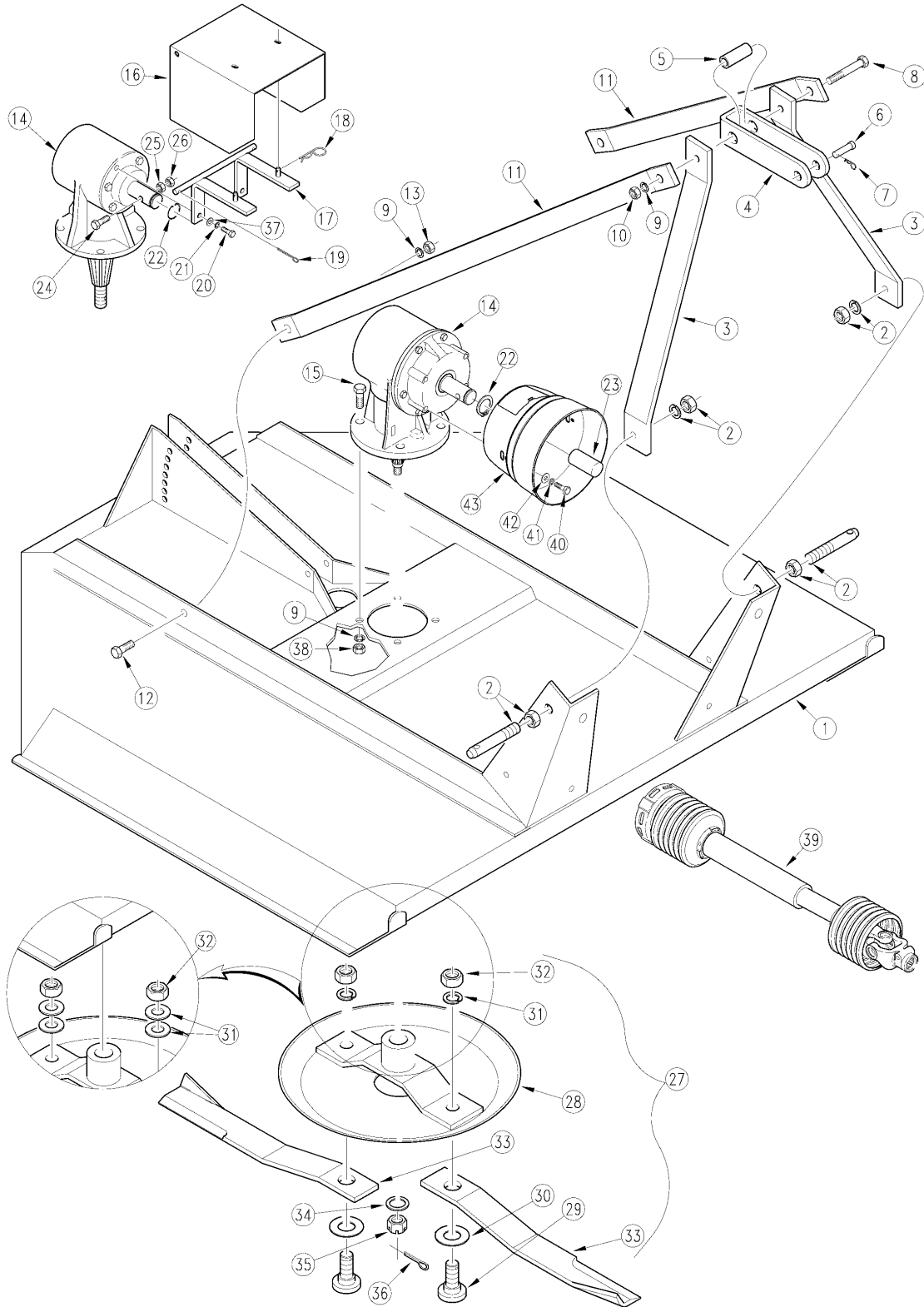
## Label Placement

### Applies to RC35120, RCM35120

Ref	Part No.	Part Description	Comments	Revision
	dwg14179	Drawing Image Number		
1.	818-540C	DECAL DANGER GUARD MISS PTO		
2.	818-206C	DECAL-PTO RC2560,3560 & 35120		
2.	818-226C	DECAL PTO RC120 STUB SHAFT		
2.	818-227C	DECAL PTO RC120 CV SHAFT		
3.	818-552C	DECAL DANGER PTO DRIVELINE	(S/N 0141439+)	
4.	818-225C	DECAL RC120 BLADE ROTATION		
5.	818-230C	DECAL RED REFLECTOR		
6.	818-555C	DECAL DANGER ROTATE BLADE	(S/N 0141439+)	
7.	818-229C	DECAL AMBER REFLECTOR		
8.	818-162C	LP LOGO LARGE GREEN		
9.	818-224C	DECAL 120 LP BLACK		
10.	818-086C	DECAL 35 SERIES LP - BLACK		
11.	818-251C	DECAL LETTER M - BLACK	1000 RPM only	
12.	818-554C	DECAL WARNING GEN SAFE CUTTER	(S/N 0141439+)	
13.	818-557C	DECAL DANGER CANNOT READ ENG	(S/N 0141439+)	
14.	818-560C	DECAL NOTICE TO OWNER	(S/N 0141439+)	
15.	818-556C	DECAL DANGER THROWN OBJ CUTTER	(S/N 0141439+)	
16.	818-130C	DECAL CAUTION 540 RPM		
16.	818-240C	DECAL CAUTION 1000 RPM		
17.	818-187C	DECAL DANGER DRIVELINE SHIELD		
18.	818-161C	DECAL CAUTION GENERAL RC SAFE		
19.	819-036C	I.D. PLATE - LAND PRIDE		
20.	818-190C	DECAL FLAG		
21.	818-488C	DECAL PTO MAINTENANCE CV		
22.	818-741C	DECAL RC LAND PRIDE BLAC		
23.	818-680C	DECAL IMPORTANT - SLIP CLUTCH	(S/N 199434+)	
24.	818-564C	DECAL DANGER ROTATING BLADES		
25.	818-556C	DECAL DANGER THROWN OBJ CUTTER		
26.	818-830C	DECAL SAFETY COMBO SUNWEST		

**Decks**

Applies to RC1548, RC1560, RC1572



10418

**Decks****Applies to RC1548, RC1560, RC1572**

<b>Ref</b>	<b>Part No.</b>	<b>Part Description</b>	<b>Comments</b>	<b>Revision</b>
	dwg10418	Drawing Image Number		
1.	312-029H	RC1548 DECK WELDMENT		
1.	312-030H	RC1560 DECK WELDMENT		
1.	312-031H	RC1572 DECK WELDMENT		
2.	805-111C	PIN DRAW 7/8 X 5	Includes two hex nuts & lock washer	
3.	312-077D	HITCH STRAP		
4.	312-085D	PIVOTING UPPER HITCH		
5.	312-086D	SPACER TOP HITCH		
6.	805-142C	PIN CLEVIS 3/4 X 3 1/2 PLT		
7.	805-143C	PIN HAIR COTTER .120 PLT		
8.	802-242C	HHCS 5/8-18X5 1/2 GR5		
9.	804-022C	WASHER LOCK SPRING 5/8 PLT		
10.	803-022C	NUT HEX 5/8-18 PLT		
11.	312-078D	4' HITCH BRACE		
11.	312-079D	5' HITCH BRACE		
11.	312-080D	6' HITCH BRACE		
12.	802-051C	HHCS 5/8-11X1 1/2 GR5		
13.	803-021C	NUT HEX 5/8-11 PLT		
14.	826-026C	GEARBOX 30HP 1:1.93 SPEED-UP (OMNI)	RC1548	
14.	826-018C	GEARBOX 40HP 1.47:1 SPEEDUP (IEG, OMNI)	RC1560 & RC1572	
15.	802-228C	HHCS 5/8-11X1 1/2 GR5 NYL	Used with Omni gearbox only	
15.	802-055C	HHCS 5/8-11X2 GR5	Used with IEG gearbox only	
16.	312-042D	GEARBOX SHIELD	(S/N 226011-)	
17.	312-047H	GEARBOX COVER HINGE WELDMENT	(S/N 226011-)	
18.	805-010C	PIN HAIR COTTER .094	(S/N 226011-)	
19.	805-069C	PIN COTTER 3/16 X 1	(S/N 226011-)	
20.	802-022C	HHCS 3/8-16X1 1/2 GR5	(S/N 226011-)	
21.	804-013C	WASHER LOCK SPRING 3/8 PLT	(S/N 226011-)	
22.	800-079C	SNAP RING EXT 1 3/8 5100-137	For shear bolt PTO only	
23.	817-050C	GEARBOX SHAFT PROTECTOR	(S/N 220346- RC1548)	
24.	802-264C	HHCS 1/2-13X3 1/2 GR2	For shear bolt PTO only	
24.	802-265C	HHCS 1/2-13X3 1/2 GR8	For slip clutch PTO only	
25.	803-020C	NUT HEX 1/2-13 PLT		
26.	803-036C	NUT HEX JAM 1/2-13 PLT		
27.	312-004S	4' BLADE CARRIER ASSEMBLY	Includes one of item 28 & 33; two of items 29-32	
27.	312-012S	5' BLADE CARRIER ASSEMBLY	Includes one of item 28 & 33; two of items 29-32	
27.	312-017S	6' BLADE CARRIER ASSEMBLY	Includes one of item 28 & 33; two of items 29-32	
28.	312-005E	WELDED CARRIER		Rev. 2 not compat. w/Rev. 1
28.	312-240H	15 CUTTER WELDED CARRIER		Rev. 1
29.	802-277C	BLADE BOLT 1 1/8-12X3 7/16 W/KY	(S/N 35735+)	Rev. 2 not compat. w/Rev. 1
29.	802-263C	BLADE BOLT 1 1/8-12X3 3/8	(S/N 35734-)	Rev. 1
30.	312-075D	BLADE SPACER 16 GA	As needed	
30.	312-082D	BLADE SPACER 18 GA	As needed	
30.	312-089D	BLADE SPACER 20 GA.	As needed	
31.	804-147C	WASHER FLAT 1 HARD ASTM F436 PN	(S/N 176181+)	Rev. 2 not compat. w/Rev. 1
31.	804-067C	WASHER LOCK 1 1/8	(S/N 176180-)	Rev. 1
32.	803-170C	NUT HEX LOCK 1 1/8-12 STA GR C		
33.	820-065C	CUTTER BLADE 1/2 X3X18 3/4 CCW	RC1548 Quantity 2 per cutter	
33.	820-067C	CUTTER BLADE 1/2X3X24.5 CCW LL	RC1560 Quantity 2 per cutter	
33.	820-066C	CUTTER BLADE 1/2 X3X30 1/2 CCW	RC1572 Quantity 2 per cutter	
34.	804-070C	FLAT WASHER 1" SPECIAL		
35.	803-095C	NUT HEX SLOTTED 1-14		
36.	805-017C	PIN COTTER 3/16 X 1 3/4 PLT		
37.	804-012C	WASHER FLAT 3/8 SAE PLT		
38.	803-148C	NUT HEX NYLOCK 5/8-11 PLT		

***Decks (continued)***

---

**Applies to RC1548, RC1560, RC1572**

<b>Ref</b>	<b>Part No.</b>	<b>Part Description</b>	<b>Comments</b>	<b>Revision</b>
39.	826-019C	PTO 2300 X 30 SHEAR BOLT	RC1548 & RC1560	
39.	826-020C	PTO 2300 X 38 SHEAR BOLT	RC1572	
39.	826-021C	DRIVELINE 2300 X 30 W/CLUTCH	RC1548 & RC1560	
39.	826-022C	DRIVELINE 2300 X 38 W/CLUTCH	RC1572	
40.	802-007C	HHCS 5/16-18X3/4 GR5	(S/N 226012+)	
41.	804-009C	WASHER LOCK SPRING 5/16 PLT	(S/N 226012+)	
42.	804-010C	WASHER FLAT 5/16 USS PLT	(S/N 226012+)	
43.	826-240C	SMALL SHAFT CONE W ACCESS DOOR	(S/N 226012+)	

***Decks (continued)***

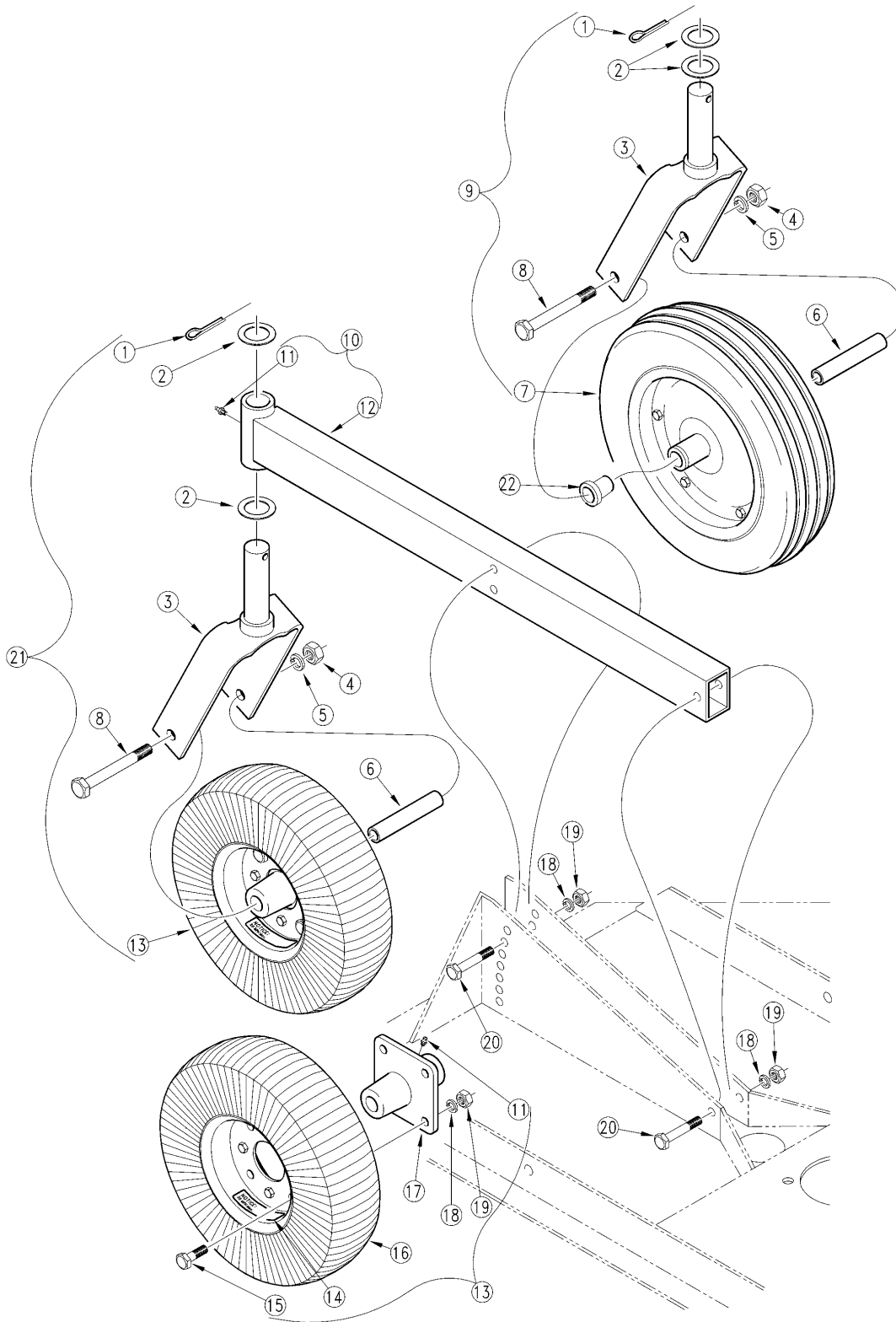
---

Applies to RC1548, RC1560, RC1572

***This Page Intentionally Left Blank***

**Tailwheel**

Applies to RC1548, RC1560, RC1572



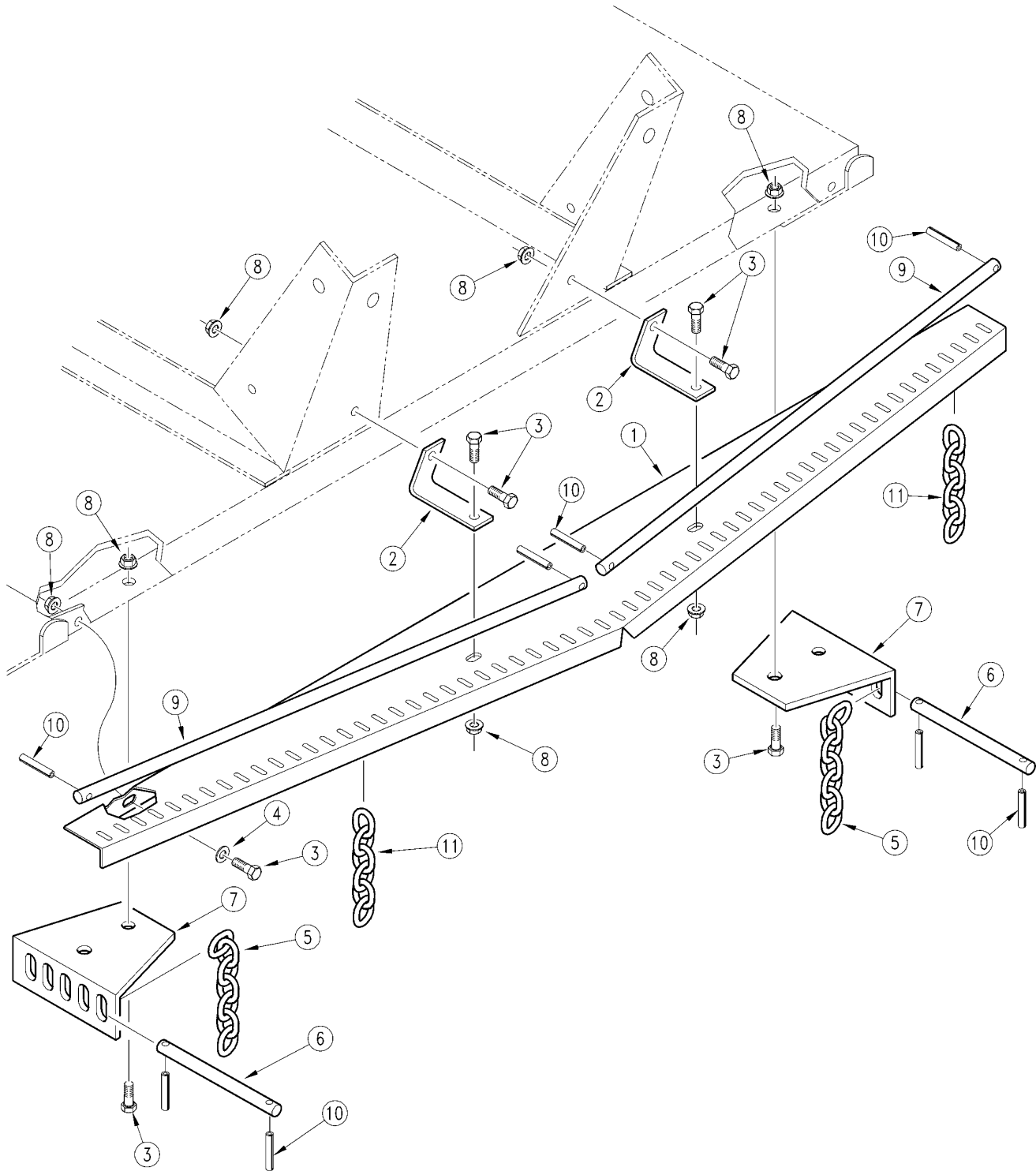
10425

**Tailwheel****Applies to RC1548, RC1560, RC1572**

<b>Ref</b>	<b>Part No.</b>	<b>Part Description</b>	<b>Comments</b>	<b>Revision</b>
	dwg10425	Drawing Image Number		
1.	805-148C	PIN COTTER 3/8 X 3 PLT		
2.	804-066C	WASHER MACH 2.25 X 1.50 X 14GA		
3.	312-006H	TAILWHEEL YOKE WELDMENT		
4.	803-021C	NUT HEX 5/8-11 PLT		
5.	804-022C	WASHER LOCK SPRING 5/8 PLT		
6.	312-021D	TUBE 1 OD X 5/32 WL X 5 3/8 LG		
7.	814-065C	WHL&SOLID RBR TIRE 4 X 16	Optional	
8.	802-262C	HHCS 5/8-11X7 GR5		
9.	312-090A	RUBBER TAILWHEEL & YOKE ASSY		
10.	312-052K	RC1548 TW BOOM ASSY	Includes one of 312-032H & 800-080C	
10.	312-053K	RC1560 TW BOOM ASSY	Includes one of 312-033H & 800-080C	
10.	312-054K	RC1572 TW BOOM ASSY	Includes one of 312-034H & 800-080C	
11.	800-080C	GREASE ZERK 1/4-28 THD FORMING		
12.	312-032H	4' TAILWHEEL BOOM WELDMENT		
12.	312-033H	5' TAILWHEEL BOOM WELDMENT		
12.	312-034H	6' TAILWHEEL BOOM WELDMENT		
13.	312-008S	TAILWHEEL HUB AND WHEEL ASSY	Includes one of items 11, 14; 16 & 17; & four of items 15, 18 & 19	
14.	818-681C	DECAL NOTICE - 20 MPH MAX		
15.	802-034C	HHCS 1/2-13X1 1/4 GR5		
16.	814-058C	TIRE & WHEEL LAMINATED 4.0 X 8		
17.	312-020D	TAILWHEEL HUB		
18.	804-015C	WASHER LOCK SPRING 1/2 PLT		
19.	803-020C	NUT HEX 1/2-13 PLT		
20.	802-041C	HHCS 1/2-13X3 1/2 GR5		
21.	312-073A	LAMINATED TW & YOKE ASSY	Includes one of items 1, 3, 4, 5, 6, 8 & 13; & two of item 2	
22.	001S1	COMER ITEC BRG FOR 814-065C		

## Guarding Front Safety Chain

Applies to RC1548, RC1560, RC1572



10423



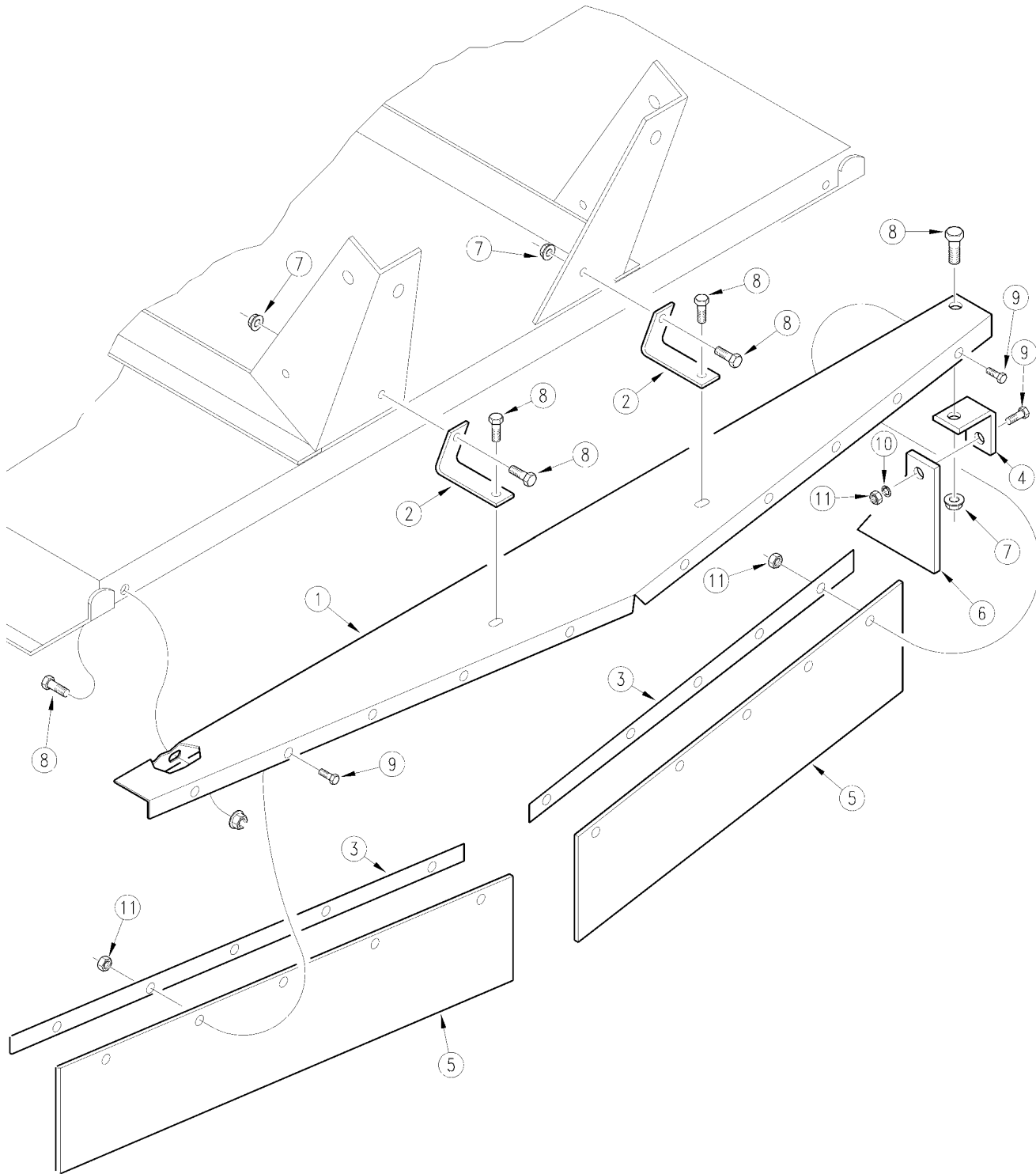
## Guarding Front Safety Chain

### Applies to RC1548, RC1560, RC1572

Ref	Part No.	Part Description	Comments	Revision
	dwg10423	Drawing Image Number		
	312-167A	1548 CHAIN GUARD ASSEMBLY	Complete 48" chain guard assembly	
	312-168A	1560 CHAIN GUARD ASSEMBLY	Complete 60" chain guard assembly	
	312-169A	1572 CHAIN GUARD ASSEMBLY	Complete 72" chain guard assembly	
1.	312-306D	1548 CHAIN GUARD CHANNEL		
1.	312-307D	1560 CHAIN GUARD CHANNEL		
1.	312-308D	1572 CHAIN GUARD CHANNEL		
2.	312-062D	GUARD MOUNT		
3.	802-034C	HHCS 1/2-13X1 1/4 GR5		
4.	804-016C	WASHER FLAT 1/2 SAE PLT		
5.	312-312D	5/16 PROOF CHAIN X 4 LINKS		
6.	312-169D	CHAIN HANGER ROD-SIDE		
7.	312-144D	SIDE CHAIN MOUNT		
8.	803-037C	NUT HEX WHIZ 1/2-13 PLT		
9.	312-309D	1548 CHAIN HANGER ROD		
9.	312-310D	1560 CHAIN HANGER ROD		
9.	312-311D	1572 CHAIN HANGER ROD		
10.	805-136C	PIN ROLL 1/8 X 1 1/4 LG. PLT		
11.	890-175C	CHAIN 5/16 PROOF X 6 LINKS PLT		

## Guarding Front Safety Rubber

Applies to RC1548, RC1560, RC1572



10235

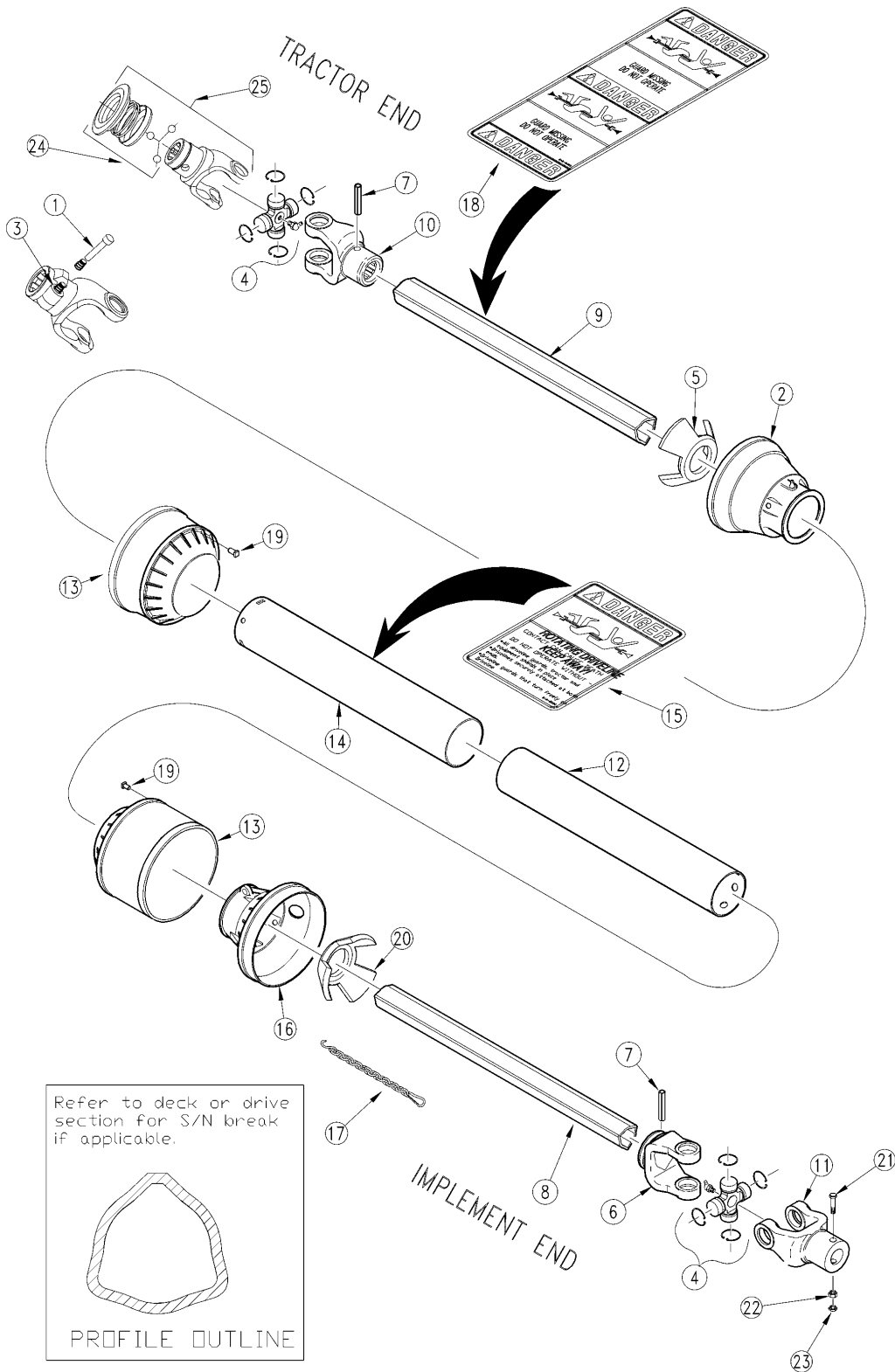
## Guarding Front Safety Rubber

**Applies to RC1548, RC1560, RC1572**

Ref	Part No.	Part Description	Comments	Revision
	dwg10235	Drawing Image Number		
	312-035A	RC1548 GUARDING	Complete 48" rubber guard assy	
	312-036A	RC1560 GUARDING	Complete 60" rubber guard assy	
	312-037A	RC1572 GUARDING	Complete 72" rubber guard assy	
1.	312-063D	4' GUARD CHANNEL		
1.	312-065D	5' GUARD CHANNEL		
1.	312-067D	6' GUARD CHANNEL		
2.	312-062D	GUARD MOUNT		
3.	312-064D	4' BACKSTRAP		
3.	312-066D	5' BACKSTRAP		
3.	312-068D	6' BACKSTRAP		
4.	312-069D	GUARD END BAR		
5.	816-075C	RC1548 RUBBER GUARD		
5.	816-076C	RC1560 RUBBER GUARD		
5.	816-077C	RC1572 RUBBER GUARD		
6.	816-078C	RC1548 SIDE RUBBER GUARD		
6.	816-079C	RC1560 SIDE RUBBER GUARD		
6.	816-080C	RC1572 SIDE RUBBER GUARD		
7.	803-037C	NUT HEX WHIZ 1/2-13 PLT		
8.	802-034C	HHCS 1/2-13X1 1/4 GR5		
9.	802-079C	HHCS 3/8-16X1 1/4 GR5		
10.	804-012C	WASHER FLAT 3/8 SAE PLT		
11.	803-078C	NUT LOCK 3/8-16 NYLON INSERT		

### Driveline (826-019C) Eurocardan

Applies to RC1548, RC1560



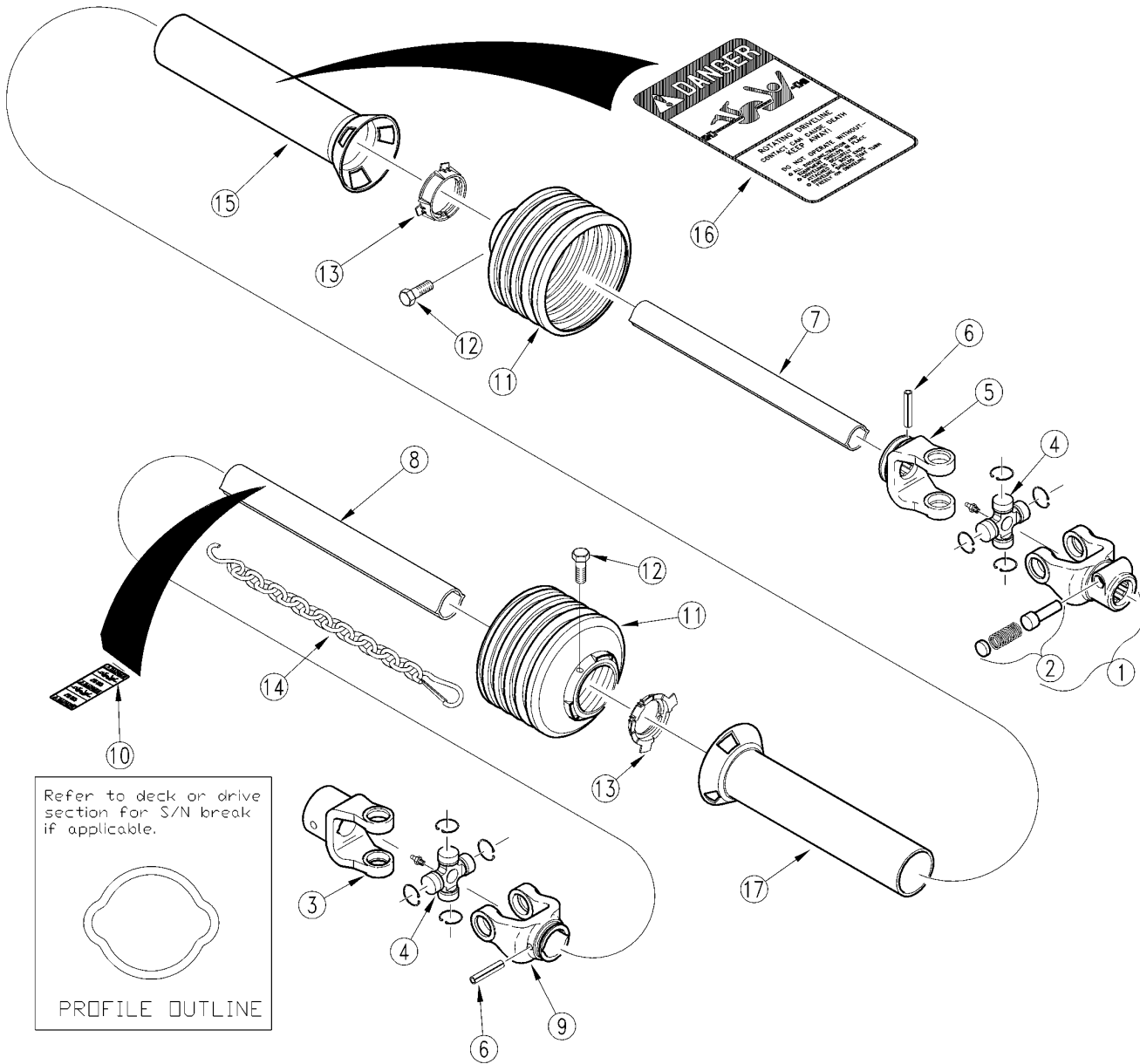
22284

**Driveline (826-019C) Eurocardan****Applies to RC1548, RC1560**

<b>Ref</b>	<b>Part No.</b>	<b>Part Description</b>	<b>Comments</b>	<b>Revision</b>
	dwg22284	Drawing Image Number		
	826-019C	PTO 2300 X 30 SHEAR BOLT		
1.	1581038	EC COMPLETE PUSH-PIN KIT		Rev. 2
1.	1006038	RPBY 1581038		Rev 1; Use up stock
2.	1884201	EC OUTER TUBE RIGID CONE		Rev. 2
2.	1883230	RPBY 1884201		Rev 1; Use up stock
3.	1024010	REPLACE BY 1014012		
4.	1004020	EC CROSS ASSEMBLY ( U JOINT)		
5.	1784210	EC TUBE BEARING		Rev. 2
5.	1783016	RPBY 1784210		Rev 1; Use up stock
6.	1704029	EC INNER TUBE YOKE		
7.	6330865	EC 8X65-DIN-1481 O/TUBE R/PIN		
8.	1525062	RPBY 1525082 INN STCK LNGTH TB		Rev. 2
8.	1534062	RPBY 1525062		Rev 1; Use up stock
9.	1524062	EC 620MM OUT. STOCK LENGTH TB.		Rev. 2
9.	1544062	RPBY 1524062		Rev 1; Use up stock
10.	1704027	EC OUTER TUBE YOKE		
11.	1074033	EC YOKE ASSEMBLY (IMP. END)		Rev. 2
11.	1704033	RPBY 1074033		Rev 1; Use up stock
12.	1872054	EC INNER TUBE (1872075) 540MM		Rev. 2
12.	1784060	EC INNER TUBE SHIELD		Rev 1; Use up stock
13.	1884203	EC SOFT CONE		Rev. 2
13.	1883013	RPBY 1884203		Rev 1; Use up stock
14.	1873054	EC OUTER TUBE (1873077) 540MM		Rev. 2
14.	1774060	EC INNER TUBE SHIELD		Rev 1; Use up stock
15.	818-552C	DECAL DANGER PTO DRIVELINE		
16.	1884202	EC INNER TUBE RIGID CONE		Rev. 2
16.	1883231	RPBY 1884202		Rev 1; Use up stock
17.	044321	DRIVELINE SHIELD SAFETY CHAIN		
18.	818-540C	DECAL DANGER GUARD MISS PTO		
19.	1784212	EC PIN STOP ROTATION		
20.	1784211	EC TUBE BEARING		
21.	802-264C	HHCS 1/2-13X3 1/2 GR2	Not Furnished With Driveline	
22.	803-020C	NUT HEX 1/2-13 PLT	Not Furnished With Driveline	
23.	803-036C	NUT HEX JAM 1/2-13 PLT	Not Furnished With Driveline	
24.	1004225	EC PULL COLLAR KIT		
25.	1014012	EC YOKE ASSEMBLY		

**Driveline (826-019C) Walterscheid**

Applies to RC1548, RC1560

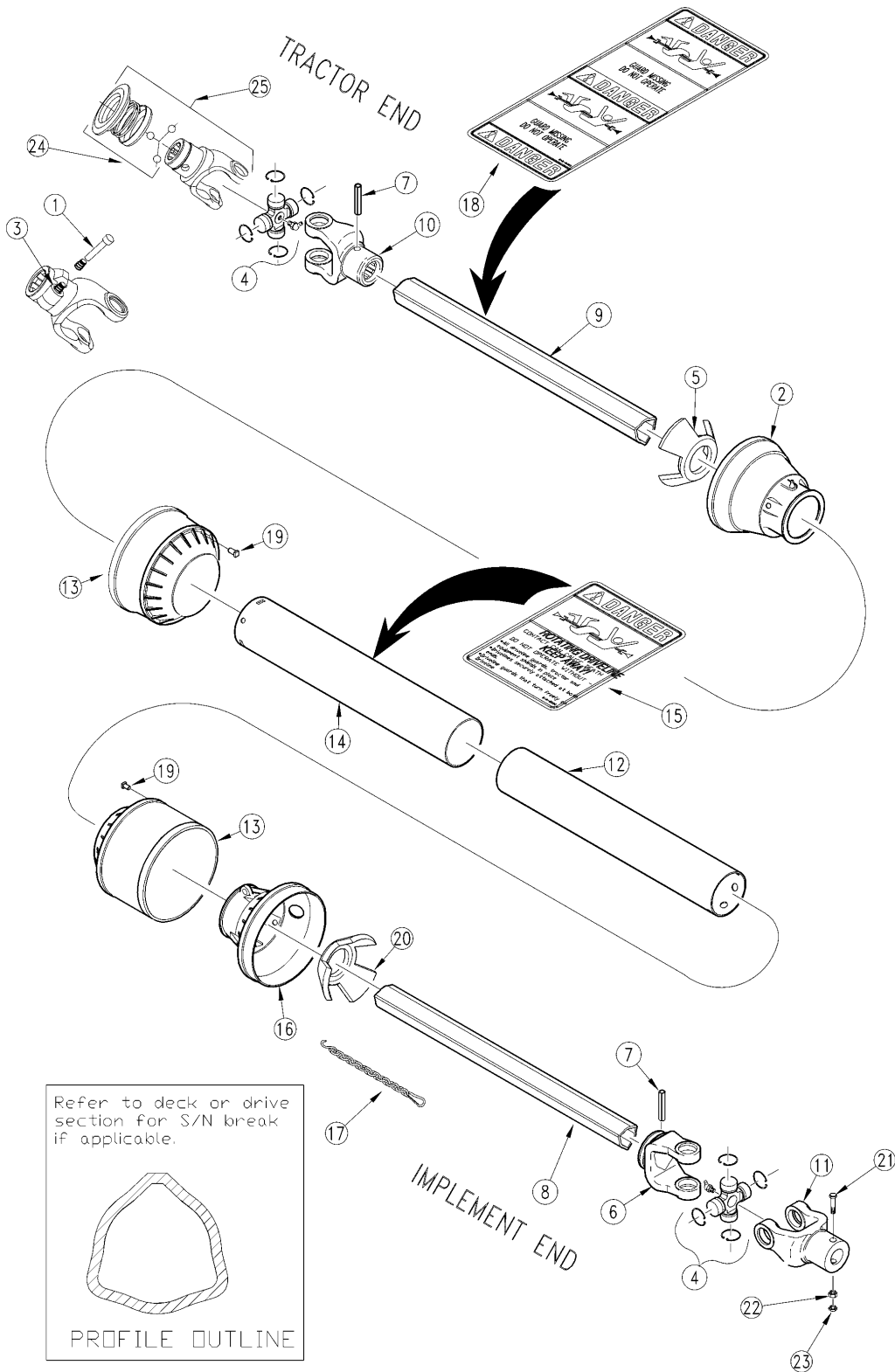


***Driveline (826-019C) Walterscheid*****Applies to RC1548, RC1560**

<b>Ref</b>	<b>Part No.</b>	<b>Part Description</b>	<b>Comments</b>	<b>Revision</b>
	dwg11495	Drawing Image Number		
	826-019C	PTO 2300 X 30 SHEAR BOLT		
1.	041378	WALTERSCHEID YOKE 1 3/8-6 SPL		
2.	339107	WS Q.D. PIN KIT		
3.	317806	WS END YOKE		
4.	044444	WALTERSCHEID CROSS & BRG KIT		
5.	041315	WS INBOARD YOKE		
6.	020614	WALTERSCHEID SPRING PIN		
7.	050191	WS RC1548 & RC1560 INNER PROF		
8.	050186	WS RC 1548 & RC 1560 OUTER PRO		
9.	041318	WS INBOARD YOKE		
10.	818-540C	DECAL DANGER GUARD MISS PTO		
11.	377235	WALTERSCHEID SHIELD CONE 5 RIB		
12.	365305	WALTERSCHEID SCREW		
13.	087279	WALTERSCHEID BEARING RING		
14.	044321	WALTERSCHEID SAFETY CHAIN		
15.	384187	WS OUTER SHIELD TUBE W/CAP		
16.	818-552C	DECAL DANGER PTO DRIVELINE		
17.	384188	INNER SHIELD TUBE W/CAP		

### Driveline (826-020C) Eurocardan

Applies to RC1572



22284

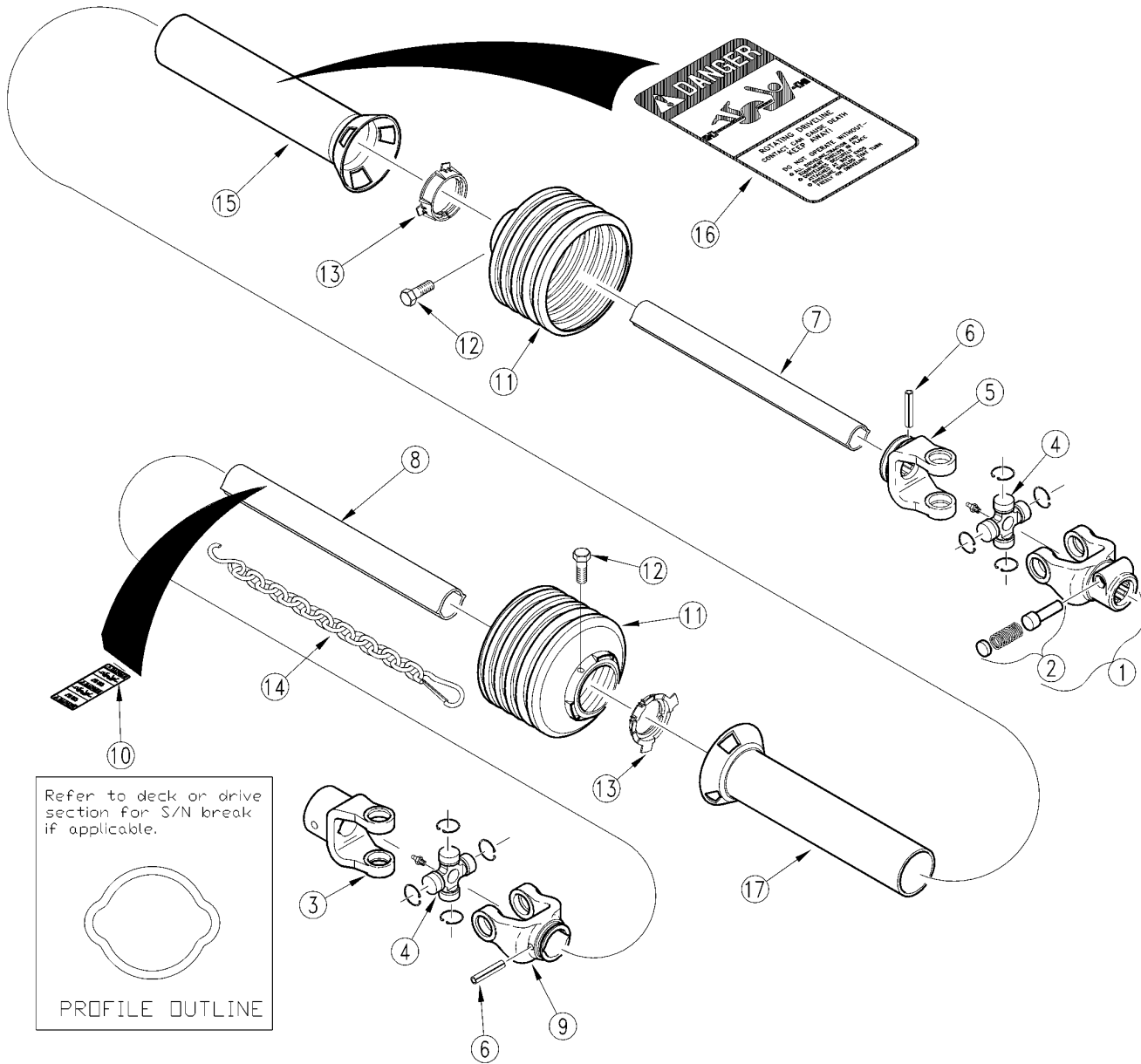


**Driveline (826-020C) Eurocardan****Applies to RC1572**

Ref	Part No.	Part Description	Comments	Revision
	826-020C	Image Reference: 22284 PTO 2300 X 38 SHEAR BOLT		
1.	1581038	EC COMPLETE PUSH-PIN KIT		Rev. 2
1.	1006038	RPBY 1581038		Rev 1; Use up stock
2.	1884201	EC OUTER TUBE RIGID CONE		Rev. 2
2.	1883230	REPBY 1884201		Rev 1; Use up stock
3.	1024010	REPLACE BY 1014012		
4.	1004020	EC CROSS ASSEMBLY (U JOINT)		
5.	1784210	EC TUBE BEARING		Rev. 2
5.	1783016	RPBY 1784210		Rev 1; Use up stock
6.	1704029	EC INNER TUBE YOKE		
7.	6330865	EC 8X65-DIN-1481 O/TUBE R/PIN		
8.	1525082	EC 820MM INNER STOCK TUBE		Rev. 2
8.	1534082	RPBY 1525082		Rev 1; Use up stock
9.	1524082	EC OUTER TUBE (1524085) 820MM		Rev. 2
9.	1544082	RPBY 1524082		Rev 1; Use up stock
10.	1704027	EC OUTER TUBE YOKE		
11.	1074033	EC YOKE ASSEMBLY (IMP. END)		Rev. 2
11.	1704033	RPBY 1074033		Rev 1; Use up stock
12.	1872074	EC INNER TUBE (1872075) 740MM		Rev. 2
12.	1774075	RPBY 1872074		Rev 1; Use up stock
13.	1884203	EC SOFT CONE		Rev. 2
13.	1883013	RPBY 1884203		Rev 1; Use up stock
14.	1873074	EC OUTER TUBE (1873077) 740MM		Rev. 2
14.	1884075	RPBY 1873074		Rev 1; Use up stock
15.	818-552C	DECAL DANGER PTO DRIVELINE		
16.	1884202	EC INNER TUBE RIGID CONE		Rev. 2
16.	1883231	RPBY 1884202		Rev 1; Use up stock
17.	044321	DRIVELINE SHIELD SAFETY CHAIN		
18.	818-540C	DECAL DANGER GUARD MISS PTO		
19.	1784212	EC PIN STOP ROTATION		
20.	1784211	EC TUBE BEARING		
21.	802-264C	HHCS 1/2-13X3 1/2 GR2	Not Furnished With Driveline	
22.	803-020C	NUT HEX 1/2-13 PLT	Not Furnished With Driveline	
23.	803-036C	NUT HEX JAM 1/2-13 PLT	Not Furnished With Driveline	
24.	1004225	EC PULL COLLAR KIT		
25.	1014012	EC YOKE ASSEMBLY		

# Driveline (826-020C) Walterscheid

Applies to RC1572



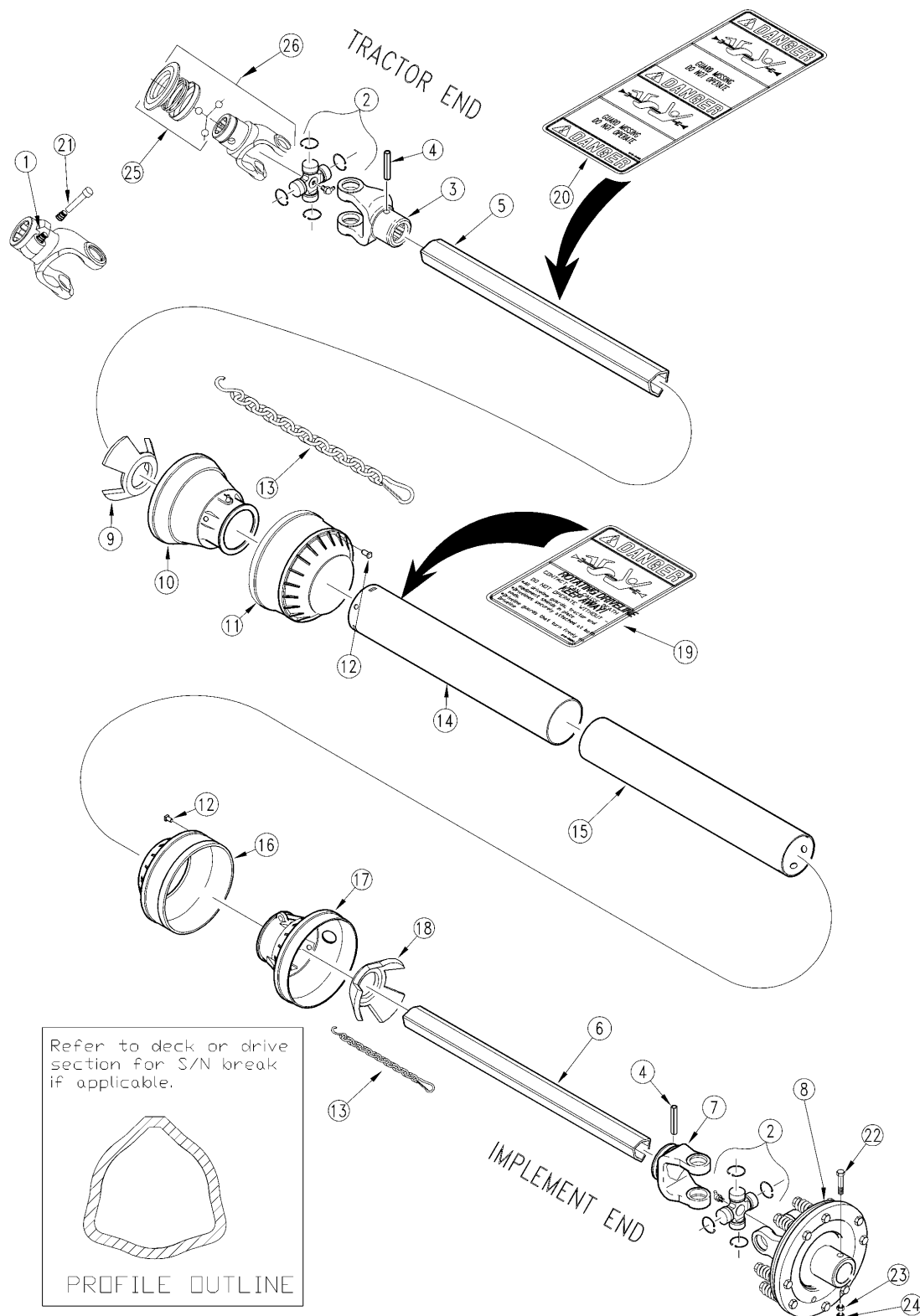
11495

***Driveline (826-020C) Walterscheid*****Applies to RC1572**

<b>Ref</b>	<b>Part No.</b>	<b>Part Description</b>	<b>Comments</b>	<b>Revision</b>
	826-020C	Image Reference: 11495 PTO 2300 X 38 SHEAR BOLT		
1.	041378	WALTERSCHEID YOKE 1 3/8-6 SPL		
2.	339107	WS Q.D. PIN KIT		
3.	317806	WS END YOKE		
4.	044444	WALTERSCHEID CROSS & BRG KIT		
5.	041315	WS INBOARD YOKE		
6.	020614	WALTERSCHEID SPRING PIN		
7.	049647	WS RC1572 INNER PROFILE		
8.	049665	WS 1572 OUTER PROFILE		
9.	041318	WS INBOARD YOKE		
10.	818-540C	DECAL DANGER GUARD MISS PTO		
11.	377235	WALTERSCHEID SHIELD CONE 5 RIB		
12.	365305	WALTERSCHEID SCREW		
13.	087279	WALTERSCHEID BEARING RING		
14.	044321	WALTERSCHEID SAFETY CHAIN		
15.	387066	WS OUTER SHIELD WITH CAP		
16.	818-552C	DECAL DANGER PTO DRIVELINE		
17.	387067	INNER SHIELD TUBE WITH CAP		

### Driveline (826-021C) Eurocardan

Applies to RC1548, RC1560



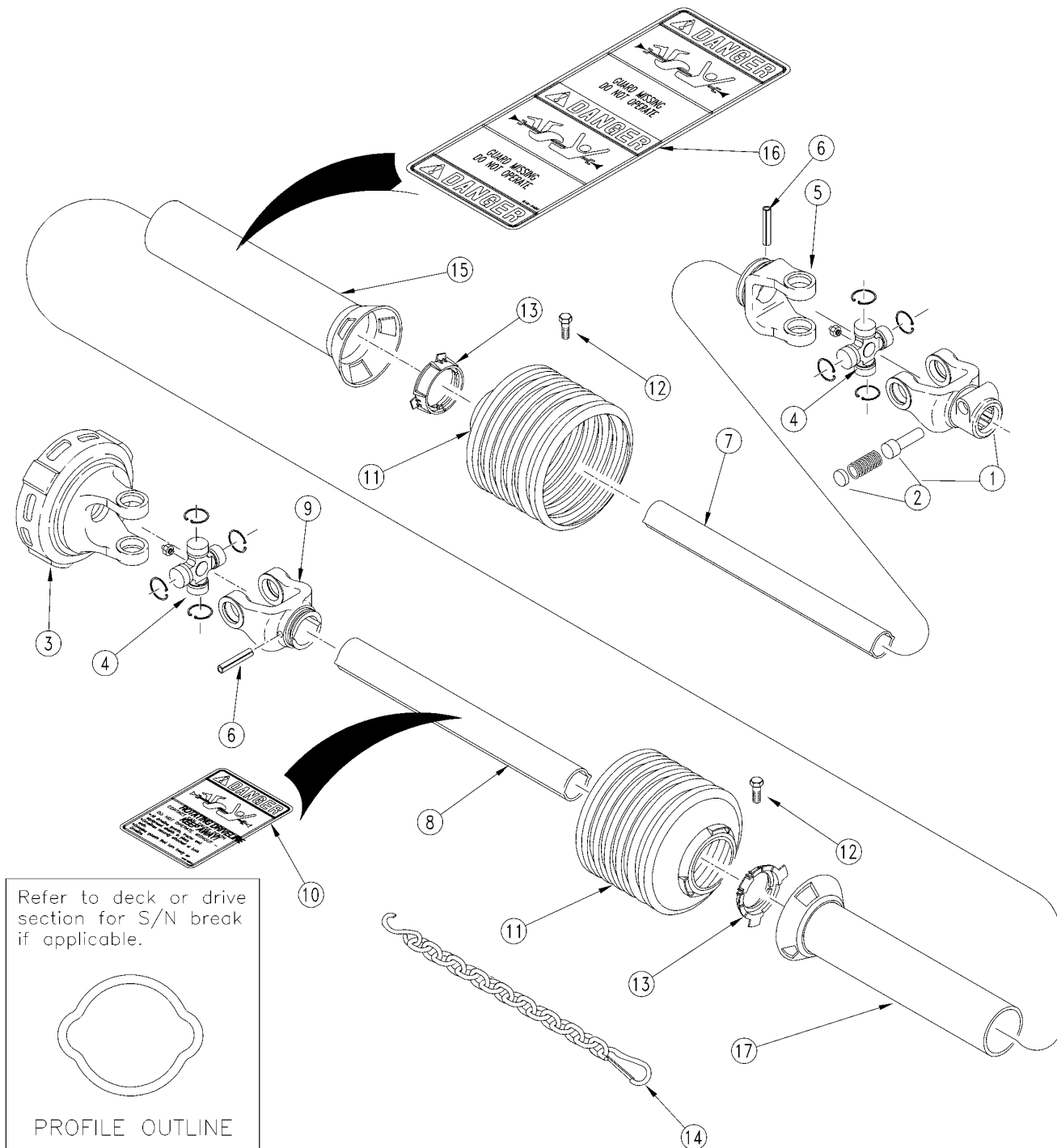
22285

**Driveline (826-021C) Eurocardan****Applies to RC1548, RC1560**

Ref	Part No.	Part Description	Comments	Revision
	dwg22285	Drawing Image Number		
	826-021C	DRIVELINE 2300 X 30 W/CLUTCH		
1.	1024010	REPLACE BY 1014012		
2.	1004020	EC CROSS ASSEMBLY ( U JOINT)		
3.	1704027	EC OUTER TUBE YOKE		
4.	6330865	EC 8X65-DIN-1481 O/TUBE R/PIN		
5.	1524062	EC 620MM OUT. STOCK LENGTH TB.		
6.	1525062	RPBY 1525082 INN STCK LNGTH TB		
7.	1704029	EC INNER TUBE YOKE		
8.	1344014	EC TORQ LMTR 2 FRICTION DISC		
9.	1784210	EC TUBE BEARING		
10.	1884201	EC OUTER TUBE RIGID CONE		
11.	1884203	EC SOFT CONE		
12.	1784212	EC PIN STOP ROTATION		
13.	1006065	RPBY 044321		
14.	1873054	EC OUTER TUBE (1873077) 540MM		
15.	1872054	EC INNER TUBE (1872075) 540MM		
16.	1884204	EC SOFT CONE (LONG)		
17.	1884202	EC INNER TUBE RIGID CONE		
18.	1784211	EC TUBE BEARING		
19.	818-552C	DECAL DANGER PTO DRIVELINE		
20.	818-540C	DECAL DANGER GUARD MISS PTO		
21.	1581038	EC COMPLETE PUSH-PIN KIT		
22.	802-265C	HHCS 1/2-13X3 1/2 GR8	Not Furnished With Driveline	
23.	803-020C	NUT HEX 1/2-13 PLT	Not Furnished With Driveline	
24.	803-036C	NUT HEX JAM 1/2-13 PLT	Not Furnished With Driveline	
25.	1004225	EC PULL COLLAR KIT		
26.	1014012	EC YOKE ASSEMBLY		

# Driveline (826-021C) Walterscheid

Applies to RC1548, RC1560



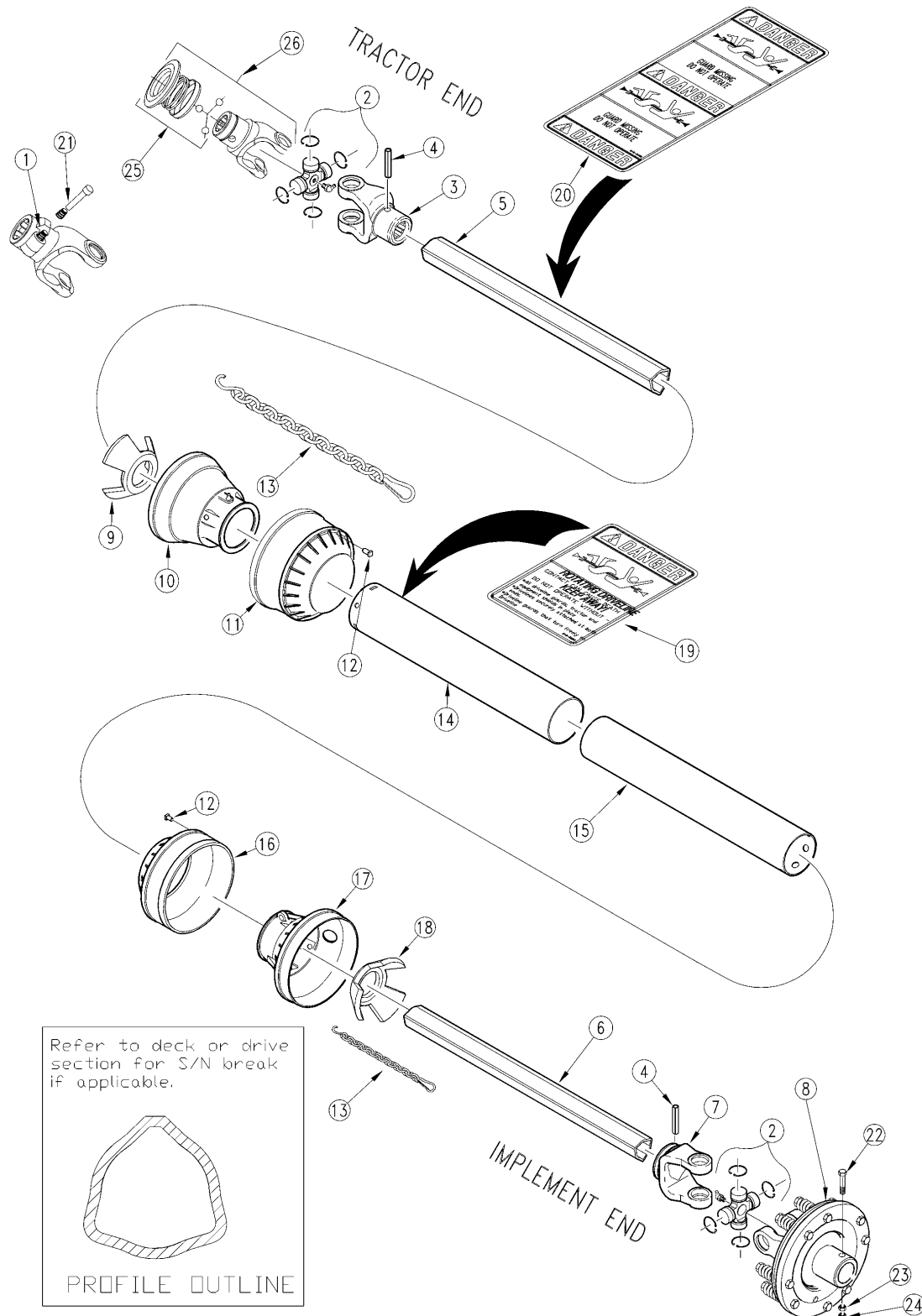
10819

***Driveline (826-021C) Walterscheid*****Applies to RC1548, RC1560**

<b>Ref</b>	<b>Part No.</b>	<b>Part Description</b>	<b>Comments</b>	<b>Revision</b>
	dwg10819	Drawing Image Number		
	826-021C	DRIVELINE 2300 X 30 W/CLUTCH		
1.	041378	WALTERSCHEID YOKE 1 3/8-6 SPL		
2.	339107	WS Q.D. PIN KIT		
3.	383172	WS FRICTION CLUTCH		
4.	044444	WALTERSCHEID CROSS & BRG KIT		
5.	041315	WS INBOARD YOKE		
6.	020614	WALTERSCHEID SPRING PIN		
7.	050191	WS RC1548 & RC1560 INNER PROF		
8.	050186	WS RC 1548 & RC 1560 OUTER PRO		
9.	041318	WS INBOARD YOKE		
10.	818-540C	DECAL DANGER GUARD MISS PTO		
11.	377235	WALTERSCHEID SHIELD CONE 5 RIB		
12.	365305	WALTERSCHEID SCREW		
13.	087279	WALTERSCHEID BEARING RING		
14.	044321	WALTERSCHEID SAFETY CHAIN		
15.	384187	WS OUTER SHIELD TUBE W/CAP		
16.	818-552C	DECAL DANGER PTO DRIVELINE		
17.	384188	INNER SHIEL TUBE W/CAP		

### Driveline (826-022C) Eurocardan (RC1572)

Applies to RC1572



22285

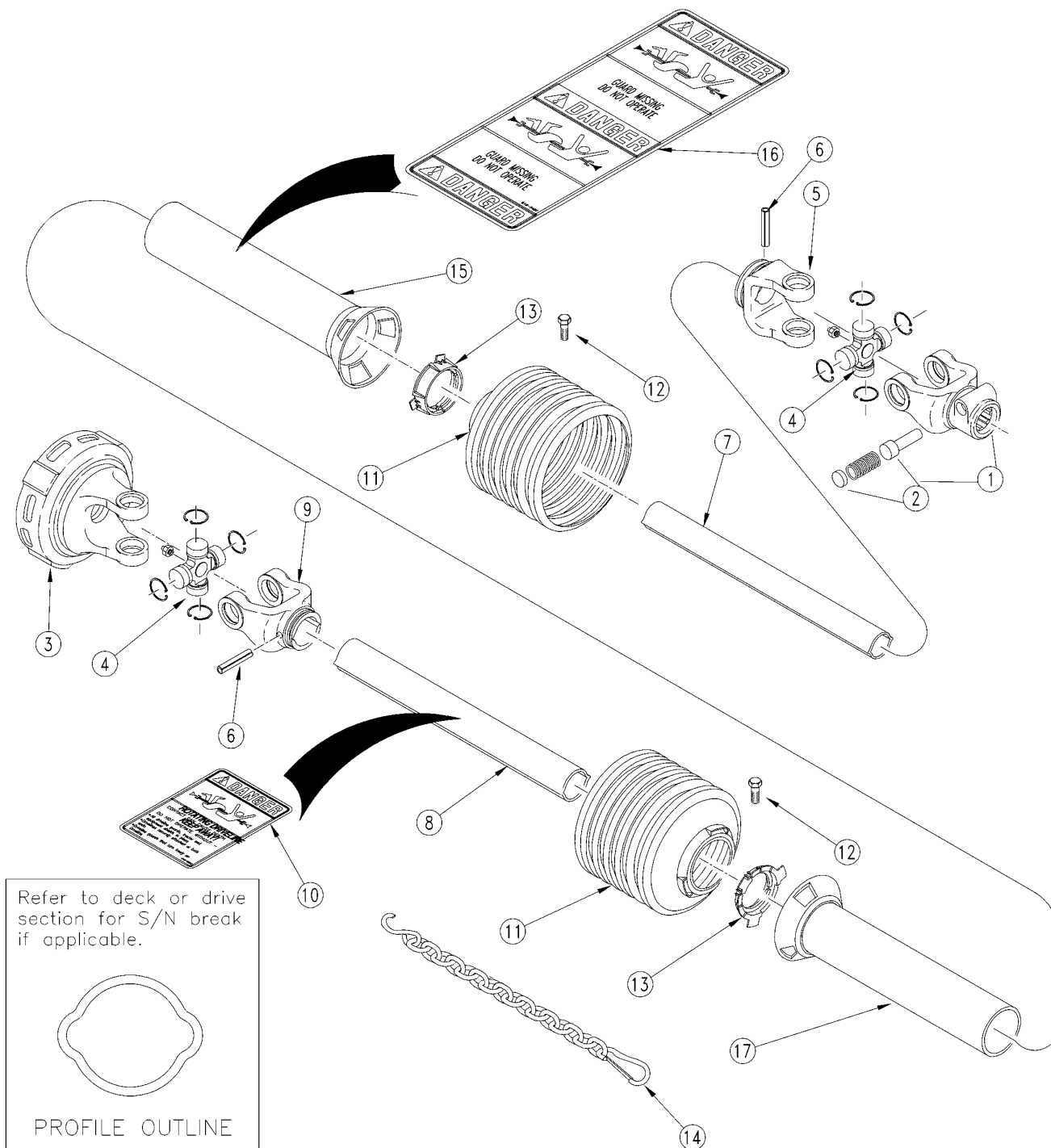


**Driveline (826-022C) Eurocardan (RC1572)****Applies to RC1572**

<b>Ref</b>	<b>Part No.</b>	<b>Part Description</b>	<b>Comments</b>	<b>Revision</b>
	826-022C	Image Reference: 22285 DRIVELINE 2300 X 38 W/CLUTCH		
1.	1024010	REPLACE BY 1014012		
2.	1004020	EC CROSS ASSEMBLY ( U JOINT)		
3.	1704027	EC OUTER TUBE YOKE		
4.	6330865	EC 8X65-DIN-1481 O/TUBE R/PIN		
5.	1524082	EC OUTER TUBE (1524085) 820MM		
6.	1525082	EC 820MM INNER STOCK TUBE		
7.	1704029	EC INNER TUBE YOKE		
8.	1344014	EC TORQ LMTR 2 FRICTION DISC		
9.	1784210	EC TUBE BEARING		
10.	1884201	EC OUTER TUBE RIGID CONE		
11.	1884203	EC SOFT CONE		
12.	1784212	EC PIN STOP ROTATION		
13.	1006065	RPBY 044321		
14.	1873074	EC OUTER TUBE (1873077) 740MM		
15.	1872074	EC INNER TUBE (1872075) 740MM		
16.	1884204	EC SOFT CONE (LONG)		
17.	1884202	EC INNER TUBE RIGID CONE		
18.	1784211	EC TUBE BEARING		
19.	818-552C	DECAL DANGER PTO DRIVELINE		
20.	818-540C	DECAL DANGER GUARD MISS PTO		
21.	1581038	EC COMPLETE PUSH-PIN KIT		
22.	802-265C	HHCS 1/2-13X3 1/2 GR8	Not Furnished With Driveline	
23.	803-020C	NUT HEX 1/2-13 PLT	Not Furnished With Driveline	
24.	803-036C	NUT HEX JAM 1/2-13 PLT	Not Furnished With Driveline	
25.	1004225	EC PULL COLLAR KIT		
26.	1014012	EC YOKE ASSEMBLY		

### Driveline (826-022C) Walterscheid

Applies to RC1572

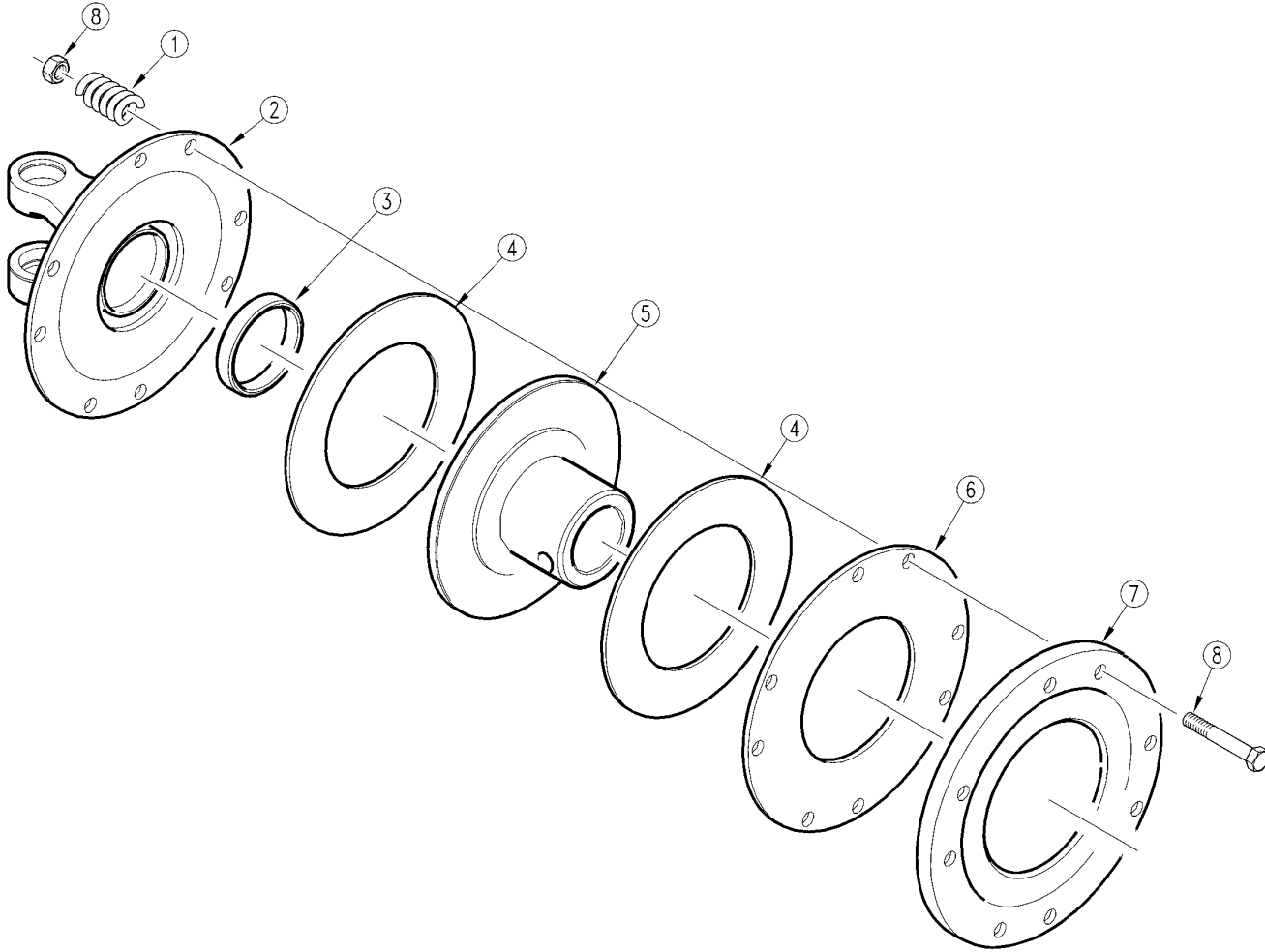


***Driveline (826-022C) Walterscheid*****Applies to RC1572**

<b>Ref</b>	<b>Part No.</b>	<b>Part Description</b>	<b>Comments</b>	<b>Revision</b>
	826-022C	Image Reference: 10819 DRIVELINE 2300 X 38 W/CLUTCH		
1.	041378	WALTERSCHEID YOKE 1 3/8-6 SPL		
2.	339107	WS Q.D. PIN KIT		
3.	384264	WS FRICTION CLUTCH		
4.	044444	WALTERSCHEID CROSS & BRG KIT		
5.	041315	WS INBOARD YOKE		
6.	020614	WALTERSCHEID SPRING PIN		
7.	049647	WS RC1572 INNER PROFILE		
8.	049665	WS 1572 OUTER PROFILE		
9.	041318	WS INBOARD YOKE		
10.	818-540C	DECAL DANGER GUARD MISS PTO		
11.	377235	WALTERSCHEID SHIELD CONE 5 RIB		
12.	365305	WALTERSCHEID SCREW		
13.	087279	WALTERSCHEID BEARING RING		
14.	044321	WALTERSCHEID SAFETY CHAIN		
15.	387066	WS OUTER SHIELD WITH CAP		
16.	818-552C	DECAL DANGER PTO DRIVELINE		
17.	387067	INNER SHIELD TUBE WITH CAP		

## Driveline Slip Clutch (1344014) Eurocardan

Applies to RC1548, RC1560, RC1572



15203

***Driveline Slip Clutch (1344014) Eurocardan***

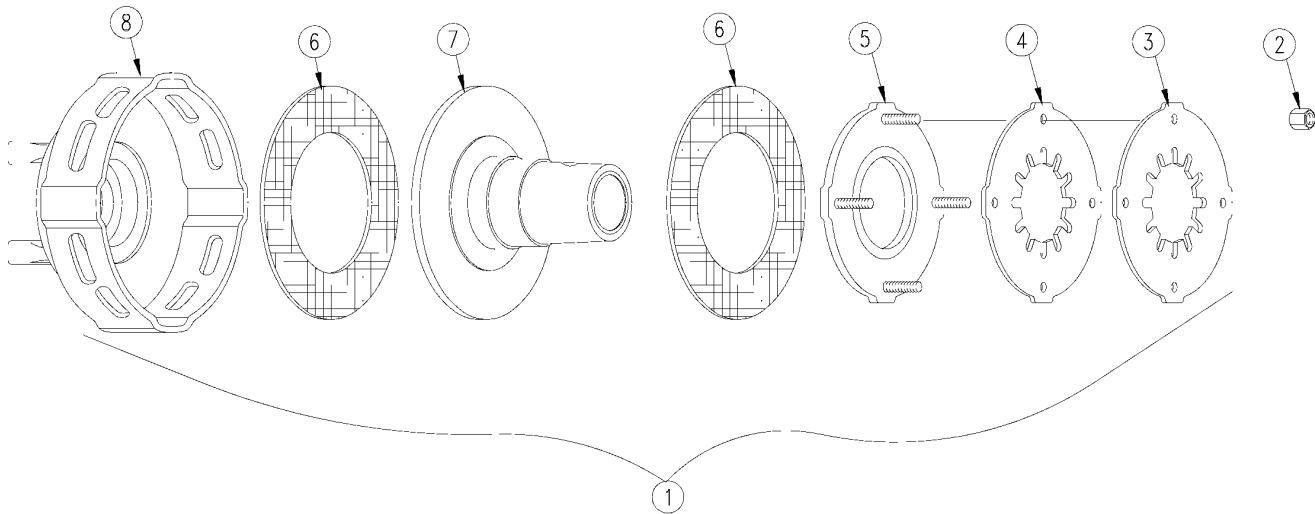
---

**Applies to RC1548, RC1560, RC1572**

<b>Ref</b>	<b>Part No.</b>	<b>Part Description</b>	<b>Comments</b>	<b>Revision</b>
	dwg15203	Drawing Image Number		
	1344014	EC TORQ LMTR 2 FRICTION DISC		
1.	1215012	EC CLUTCH SPRING		
2.	1704014	EC FLANGE WITH YOKE		
3.	1705009	EC CLUTCH BUSHING		
4.	1805010	EC FRICTION DISK		
5.	1704015	EC HUB WITH FLANGE		
6.	1135008	EC INNER DISK		
7.	1135007	EC PRESSURE DISK		
8.	6691080	EC COMPLETE BOLT		

## Driveline Slip Clutch (383172) Walterscheid

Applies to RC1548, RC1560, RC1572



***Driveline Slip Clutch (383172) Walterscheid***

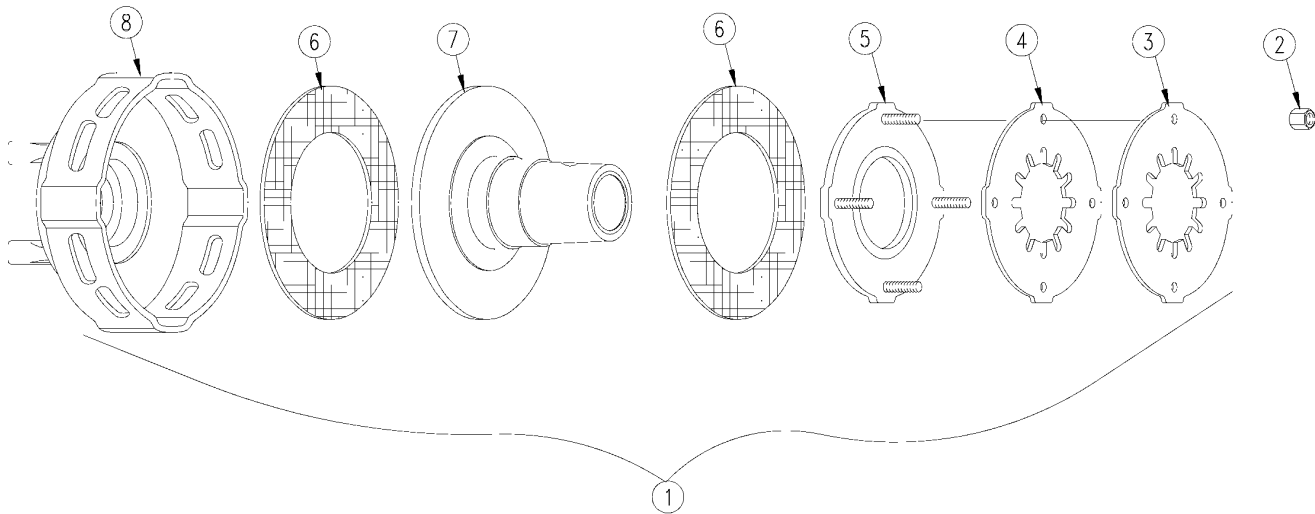
---

**Applies to RC1548, RC1560, RC1572**

<b>Ref</b>	<b>Part No.</b>	<b>Part Description</b>	<b>Comments</b>	<b>Revision</b>
	dwg10422	Drawing Image Number		
	383172	WS FRICTION CLUTCH		
1.	383172	WS FRICTION CLUTCH		
2.	381957	WALTERSCHEID HEX NUT M8		
3.	043487	WALTERSCHEID BELLEVILLE SPRING		
4.	043489	WS BELLEVILLE SPRING		
5.	381495	WALTERSCHEID THRUST PLATE		
6.	168556	WS FRICTION DISK		
7.	383174	WS HUB		
8.	041368	WALTERSCHEID CLUTCH HOUSING		

## Driveline Slip Clutch (384264) Walterscheid

Applies to RC1548, RC1560, RC1572



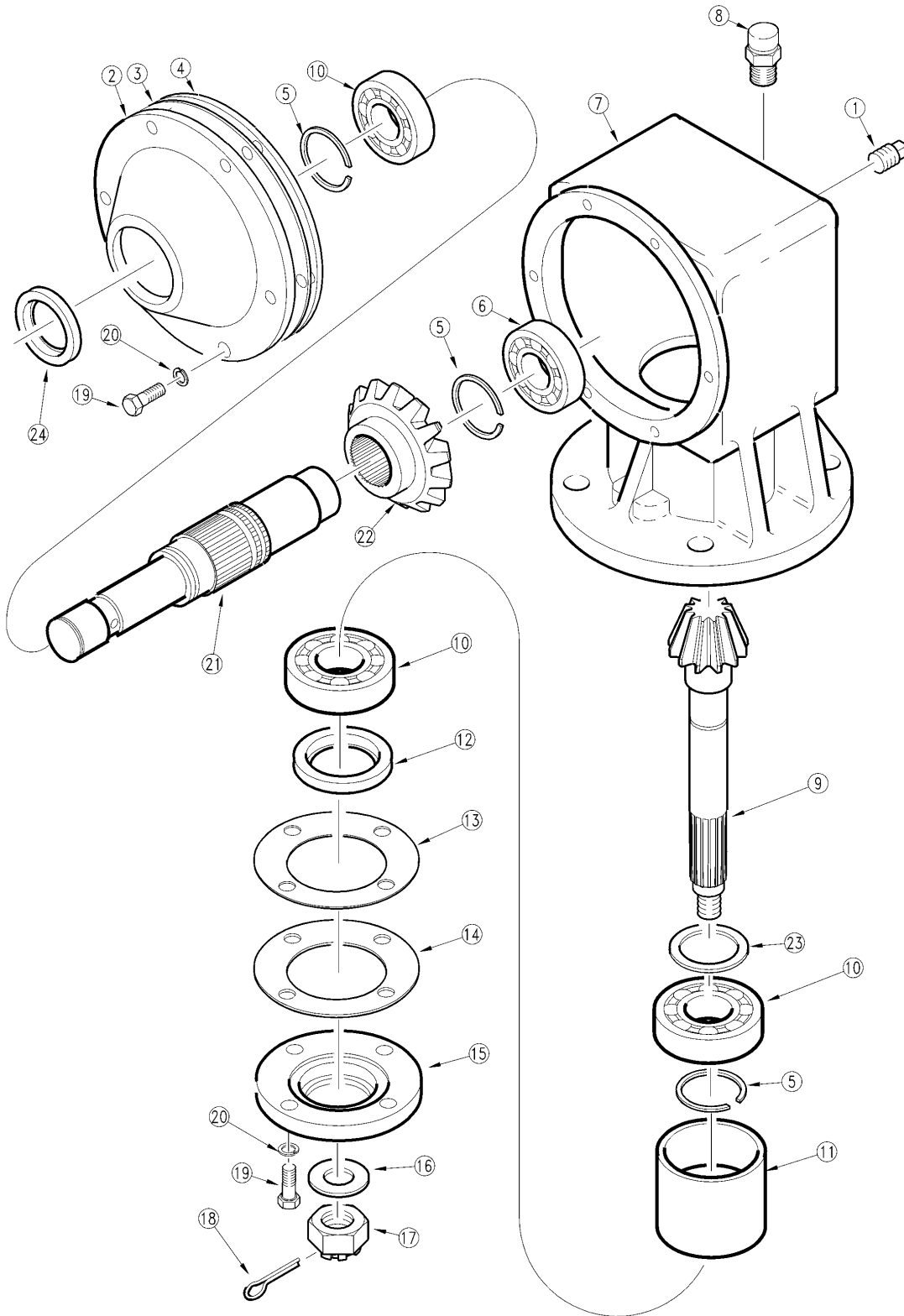


***Driveline Slip Clutch (384264) Walterscheid*****Applies to RC1548, RC1560, RC1572**

<b>Ref</b>	<b>Part No.</b>	<b>Part Description</b>	<b>Comments</b>	<b>Revision</b>
	dwg10422	Drawing Image Number		
1.	384264	WS FRICTION CLUTCH		
1.	384264	WS FRICTION CLUTCH		
2.	381957	WALTERSCHEID HEX NUT M8		
3.	043487	WALTERSCHEID BELLEVILLE SPRING		
4.	043489	WS BELLEVILLE SPRING		
5.	381495	WALTERSCHEID THRUST PLATE		
6.	168556	WS FRICTION DISK		
7.	383174	WS HUB		
8.	185836	WS CLUTCH HOUSING	(S/N 46908+)	Rev. 2
8.	384267	WS HOUSING	(S/N 46907-)	Rev 1; Use up stock

# Gearbox (826-018C) ITG

Applies to RC1560, RC1572



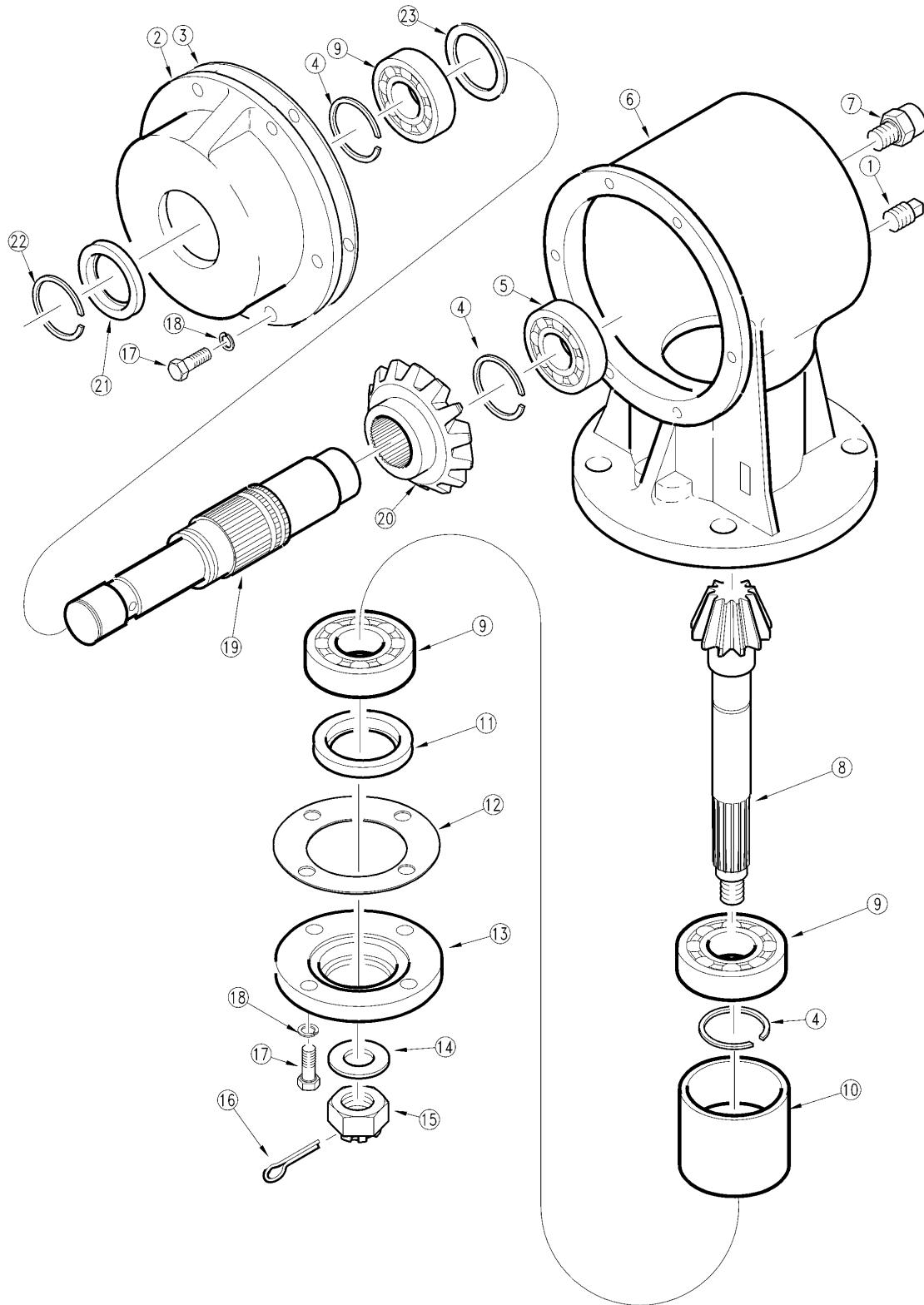
14151

**Gearbox (826-018C) ITG****Applies to RC1560, RC1572**

<b>Ref</b>	<b>Part No.</b>	<b>Part Description</b>	<b>Comments</b>	<b>Revision</b>
	dwg14151	Drawing Image Number		
	826-018C	GEARBOX 40HP 1:1.462 SPEEDUP		
1.	09-005	ITG 1/8-27 PIPE PLUG		
2.	20-007	ITG INPUT CAP		
3.	08-004A	ITG INPUT CAP GASKET 0.25 MM		
4.	08-004B	ITG INPUT CAP GASKET 0.10 MM		
5.	21-012	ITG RETAINING RING		
6.	822-166C	BEARING BALL 6207		Rev. 2
6.	04-004	RPBY 822-166C		Rev 1; Use up stock
7.	18-010	ITG HOUSING		
8.	09-008	ITG (RPBY 140033)1/2 PLUG		
9.	03-002	ITG 15 TOOTH OUTPUT PINION&SFT		
10.	822-188C	BALL BEARING 6208		Rev. 3
10.	050007	RPBY 822-188C		Rev 2; Use up stock
10.	04-003	RPBY 050007		Rev 1; Use up stock
11.	10-002	ITG BEARING SPACER		
12.	05-005	ITG OUTPUT OIL SEAL		
13.	08-005A	ITG OUTPUT CAP GASKET 0.25 MM		
14.	08-005B	ITG OUTPUT CAP GASKET 0.10 MM		
15.	20-003	ITG OUTPUT CAP		
16.	804-070C	FLAT WASHER 1" SPECIAL		
17.	803-095C	NUT HEX SLOTTED 1-14		
18.	805-017C	PIN COTTER 3/16 X 1 3/4 PLT		
19.	802-017C	HHCS 3/8-16X1 GR5		
20.	804-013C	WASHER LOCK SPRING 3/8 PLT		
21.	02-010	ITG SHEAR BOLT INPUT SHAFT		
22.	03-001	ITG 22 TOOTH INPUT GEAR		
23.	17-004	ITG STEEL SHIM 0.20		
24.	05-002	ITG INPUT OIL SEAL		

### Gearbox (826-018C) OMNI

Applies to RC1560, RC1572



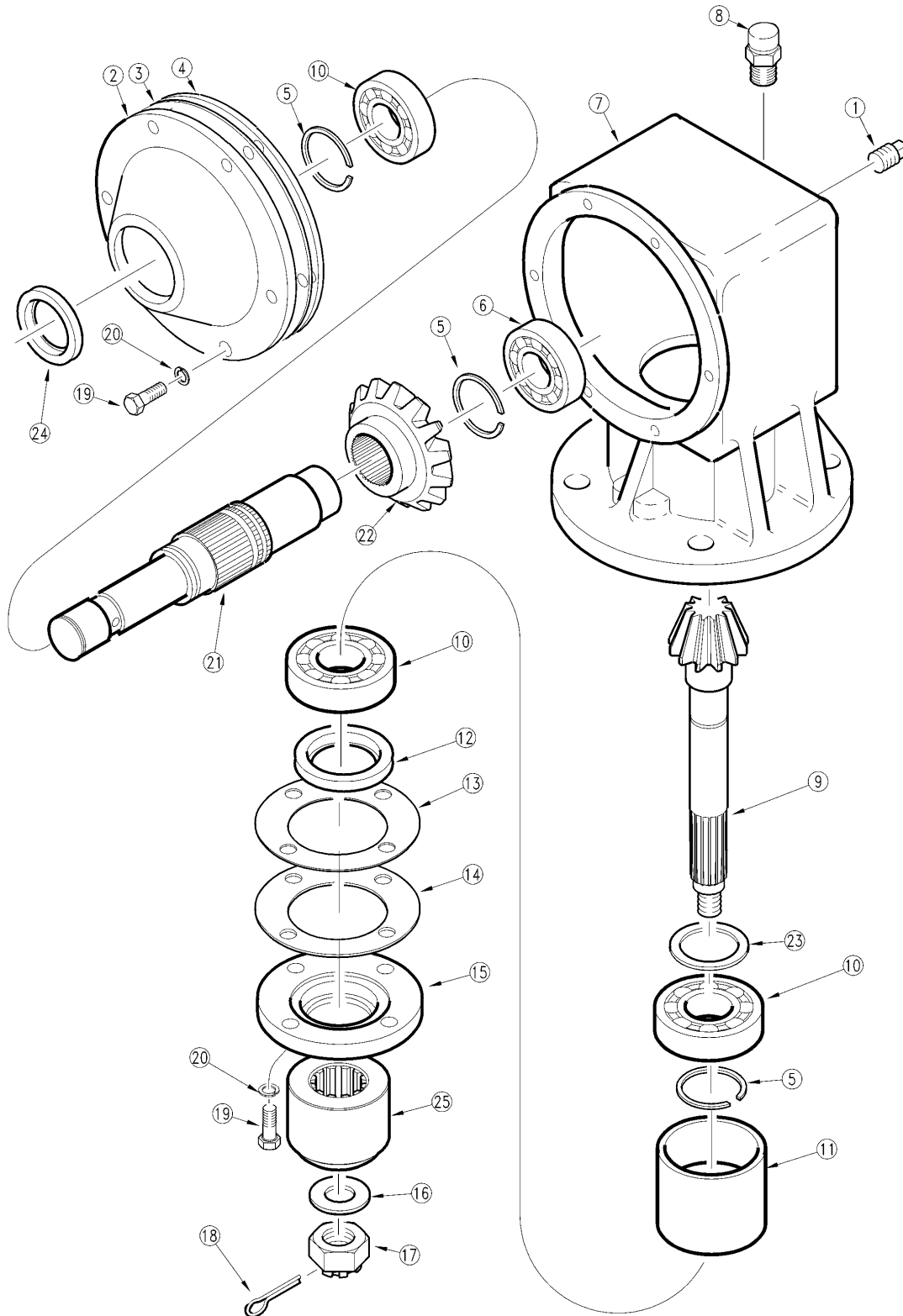
14152

**Gearbox (826-018C) OMNI****Applies to RC1560, RC1572**

Ref	Part No.	Part Description	Comments	Revision
	dwg14152	Drawing Image Number		
	826-018C	GEARBOX 40HP 1:1.462 SPEEDUP		
1.	140017	OMNI PLUG PIPE SQ HEAD 1/8"		
2.	020161	OMNI CAP INPUT W/MTG. HOLES		Rev. 2
2.	020002	OMNI INPUT CAP		Rev 1; Use up stock
3.	070133	OMNI GASKET, INPUT CAP .10mm	Number of gaskets needed varies	Rev. 2
3.	070132	OMNI GASKET, INPUT CAP .15mm	Number of gaskets needed varies	Rev. 2
3.	070131	OMNI GASKET, INPUT CAP .40mm	Number of gaskets needed varies	Rev. 2
3.	070002	OMNI INPUT GASKET		Rev 1; Use up stock
4.	200000	OMNI RETAINING RING		
5.	822-166C	BEARING BALL 6207		Rev. 2
5.	050006	RPBY 822-166C		Rev 1; Use up stock
6.	010001	OMNI HOUSING		
7.	140033	OMNI PLUG VENT 1/2-14 NPTF		Rev. 2
7.	140000	OMNI PIPE PLUG 1/2' SQ HEAD		Rev 1; Use up stock
8.	030002	OMNI OUTPUT PIN 5&6' RC 15T		
9.	822-188C	BALL BEARING 6208		Rev. 2
9.	050007	RPBY 822-188C		Rev 1; Use up stock
10.	090000	OMNI SPACER		
11.	060061	OMNI OUTPUT SEAL TRIPLE LIP		Rev. 2
11.	060003	RPBY 060061		Rev 1; Use up stock
12.	070136	OMNI GASKET, OUTPUT CAP .10mm	Number of gaskets needed varies	Rev. 2
12.	070135	OMNI GASKET, OUTPUT CAP .15mm	Number of gaskets needed varies	Rev. 2
12.	070134	OMNI GASKET, OUTPUT CAP .40mm	Number of gaskets needed varies	Rev. 2
12.	070001	OMNI OUTPUT GASKET		Rev 1; Use up stock
13.	020003	OMNI OUTPUT CAP		
14.	804-070C	FLAT WASHER 1" SPECIAL		
15.	803-095C	NUT HEX SLOTTED 1-14		
16.	805-017C	PIN COTTER 3/16 X 1 3/4 PLT		
17.	802-017C	HHCS 3/8-16X1 GR5		
18.	804-013C	WASHER LOCK SPRING 3/8 PLT		
19.	040040	OMNI INPUT SHAFT 4' RC		
20.	030003	OMNI INPUT GEAR 5&6' RC 22T		
21.	060060	OMNI INPUT SEAL TRIPLE LIP		Rev. 2
21.	060002	RPBY 060060		Rev 1; Use up stock
22.	200001	OMNI RETAINING RING		
23.	200040	OMNI RETAINING RING		

# Gearbox (826-026C) ITG

Applies to RC1548



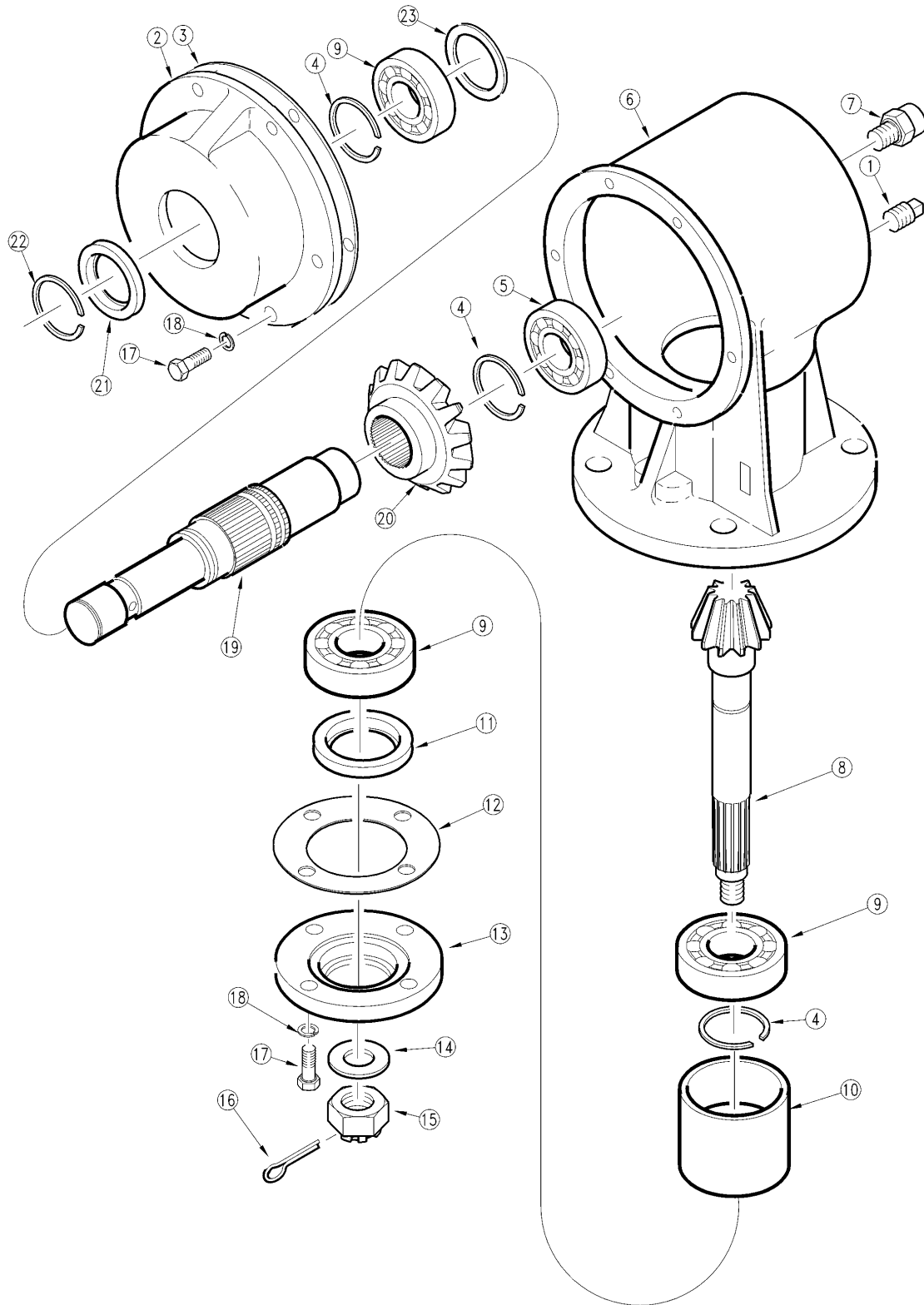
15206

**Gearbox (826-026C) ITG****Applies to RC1548**

Ref	Part No.	Part Description	Comments	Revision
	dwg15206	Drawing Image Number		
	826-026C	GEARBOX 30HP 1:1.93 SPEED-UP		
1.	09-005	ITG 1/8-27 PIPE PLUG		
2.	20-007	ITG INPUT CAP		
3.	08-004A	ITG INPUT CAP GASKET 0.25 MM		
4.	08-004B	ITG INPUT CAP GASKET 0.10 MM		
5.	21-012	ITG RETAINING RING		
6.	822-166C	BEARING BALL 6207		Rev. 2
6.	04-004	RPBY 822-166C		Rev 1; Use up stock
7.	18-010	ITG HOUSING		
8.	09-002	ITG 1/2"-14 PIPE PLUG		
9.	03-002	ITG 15 TOOTH OUTPUT PINION&SFT		
10.	822-188C	BALL BEARING 6208		Rev. 3
10.	050007	RPBY 822-188C		Rev 2; Use up stock
10.	04-003	RPBY 050007		Rev 1; Use up stock
11.	10-002	ITG BEARING SPACER		
12.	05-005	ITG OUTPUT OIL SEAL		
13.	08-005A	ITG OUTPUT CAP GASKET 0.25 MM		
14.	08-005B	ITG OUTPUT CAP GASKET 0.10 MM		
15.	20-003	ITG OUTPUT CAP		
16.	804-070C	FLAT WASHER 1" SPECIAL		
17.	803-095C	NUT HEX SLOTTED 1-14		
18.	805-017C	PIN COTTER 3/16 X 1 3/4 PLT		
19.	802-017C	HHCS 3/8-16X1 GR5		
20.	804-013C	WASHER LOCK SPRING 3/8 PLT		
21.	02-010	ITG SHEAR BOLT INPUT SHAFT		
22.	03-001	ITG 22 TOOTH INPUT GEAR		
23.	17-004	ITG STEEL SHIM 0.20		
24.	05-002	ITG INPUT OIL SEAL		
25.	826-017C	HUB BLADE RC-30		

### Gearbox (826-026C) OMNI

Applies to RC1548



14152

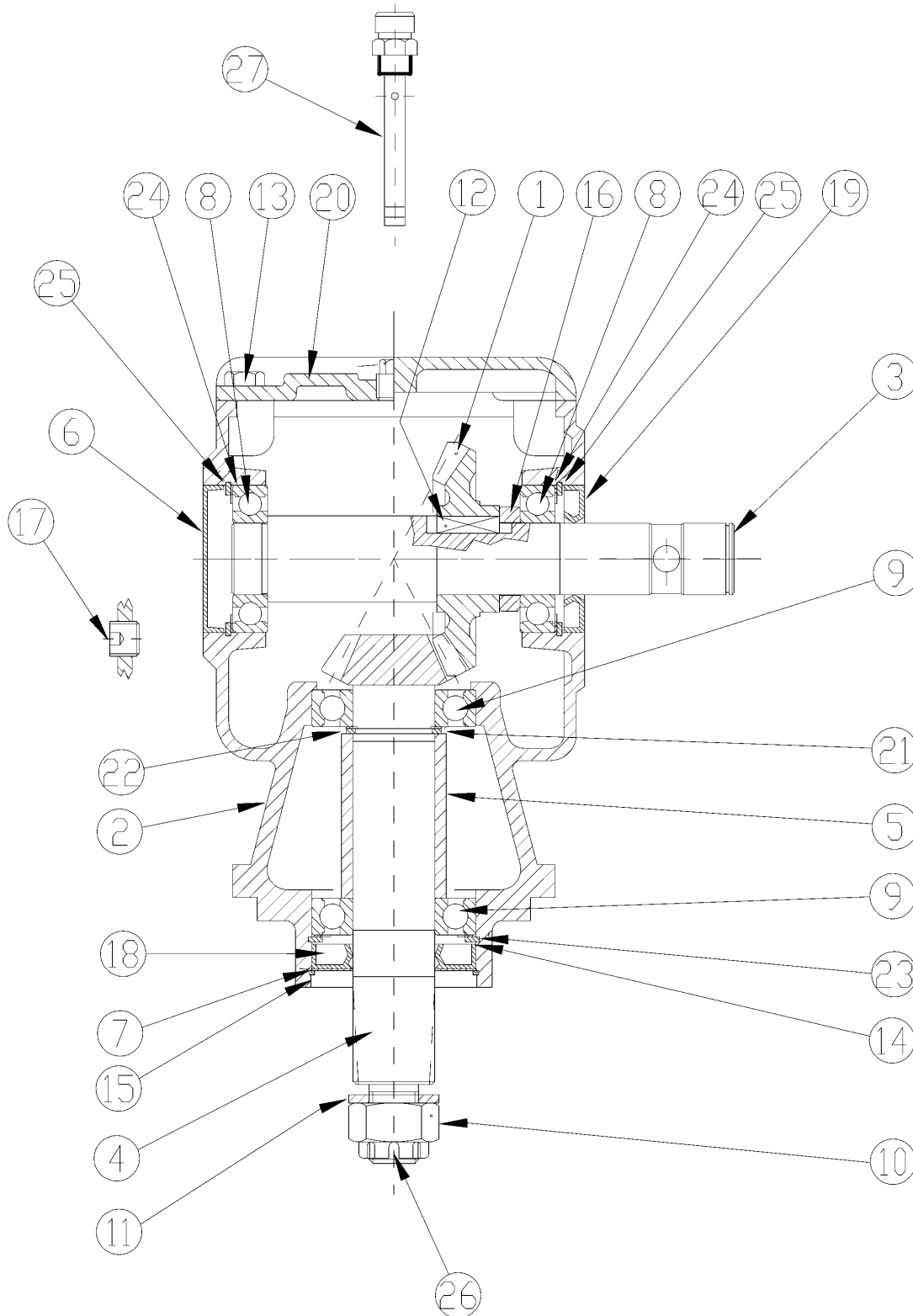


**Gearbox (826-026C) OMNI****Applies to RC1548**

Ref	Part No.	Part Description	Comments	Revision
	dwg14152	Drawing Image Number		
	826-026C	GEARBOX 30HP 1:1.93 SPEED-UP		
1.	140017	OMNI PLUG PIPE SQ HEAD 1/8"		
2.	020161	OMNI CAP INPUT W/MTG. HOLES		Rev. 2
2.	020002	OMNI INPUT CAP		Rev 1; Use up stock
3.	070133	OMNI GASKET, INPUT CAP .10mm	Number of gaskets needed varies	Rev. 2
3.	070132	OMNI GASKET, INPUT CAP .15mm	Number of gaskets needed varies	Rev. 2
3.	070131	OMNI GASKET, INPUT CAP .40mm	Number of gaskets needed varies	Rev. 2
3.	070002	OMNI INPUT GASKET	Use up existing stock; 1st revision	
4.	200000	OMNI RETAINING RING		
5.	822-166C	BEARING BALL 6207		Rev. 2
5.	050006	RPBY 822-166C		Rev 1; Use up stock
6.	010001	OMNI HOUSING		
7.	140033	OMNI PLUG VENT 1/2-14 NPTF		Rev. 2
7.	140000	OMNI PIPE PLUG 1/2' SQ HEAD		Rev 1; Use up stock
8.	030037	OMNI OUTPUT PIN 4' RC 15T		
9.	822-188C	BALL BEARING 6208		Rev. 2
9.	050007	RPBY 822-188C		Rev 1; Use up stock
10.	090000	OMNI SPACER		
11.	060061	OMNI OUTPUT SEAL TRIPLE LIP		Rev. 2
11.	060003	RPBY 060061		Rev 1; Use up stock
12.	070136	OMNI GASKET, OUTPUT CAP .10mm	Number of gaskets needed varies	Rev. 2
12.	070135	OMNI GASKET, OUTPUT CAP .15mm	Number of gaskets needed varies	Rev. 2
12.	070134	OMNI GASKET, OUTPUT CAP .40mm	Number of gaskets needed varies	Rev. 2
12.	070001	OMNI OUTPUT GASKET		Rev 1; Use up stock
13.	020003	OMNI OUTPUT CAP		
14.	804-070C	FLAT WASHER 1" SPECIAL		
15.	803-095C	NUT HEX SLOTTED 1-14		
16.	805-017C	PIN COTTER 3/16 X 1 3/4 PLT		
17.	802-017C	HHCS 3/8-16X1 GR5		
18.	804-013C	WASHER LOCK SPRING 3/8 PLT		
19.	040040	OMNI INPUT SHAFT 4' RC		
20.	030036	OMNI INPUT GEAR 4' RC 29T		
21.	060060	OMNI INPUT SEAL TRIPLE LIP		Rev. 2
21.	060002	RPBY 060060		Rev 1; Use up stock
22.	200001	OMNI RETAINING RING		
23.	200040	OMNI RETAINING RING		

**Gearbox (826-383C) Comer (Service Only)**

Applies to RC1548, RC1560, RC1572



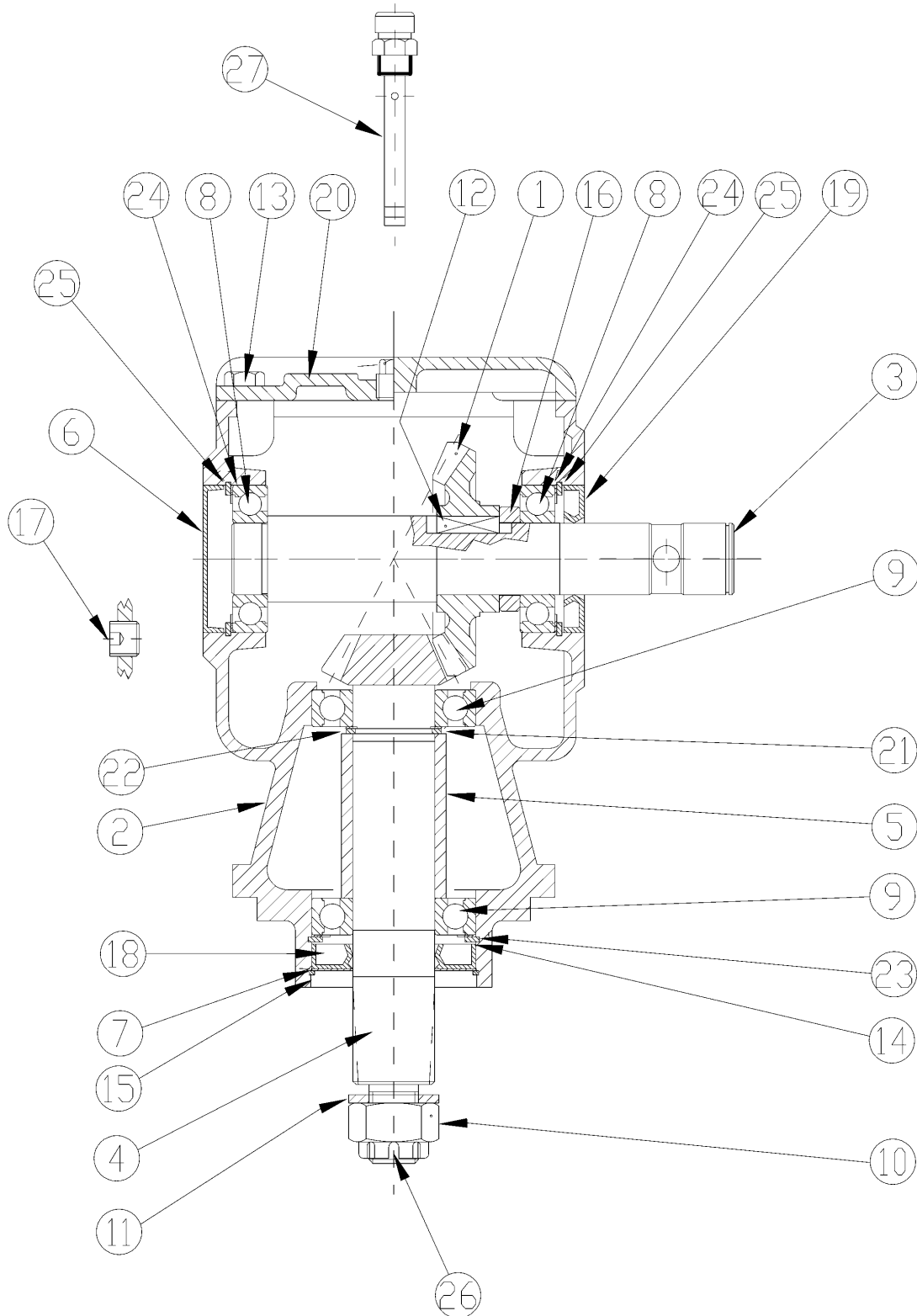
21448

**Gearbox (826-383C) Comer (Service Only)****Applies to RC1548, RC1560, RC1572**

<b>Ref</b>	<b>Part No.</b>	<b>Part Description</b>	<b>Comments</b>	<b>Revision</b>
	dwg21448	Drawing Image Number		
1.	0.135.5000.00	CO GEAR Z23 M5		
2.	0.209.0300.00	CO CASTING		
3.	0.209.2000.00	CO INPUT SHAFT 1.38 SMOOTH		
4.	0.135.6008.00	CO PINION Z12 M5		
5.	0.135.7105.00	CO SPACER		
6.	8.7.0.00744	CO CAP 72 X 10		
7.	1.135.7100.00	CO WASHER PROTECTIVE		
8.	822-166C	BEARING BALL 6207		
9.	822-188C	BALL BEARING 6208		
10.	8.2.2.00515	CO NUT, CASTLE M24 X 2		
11.	8.3.2.00409	CO FLAT WASHER 25 X 44 X 4		
12.	8.4.1.00993	CO PARALLEL KEY B 10 X 8 X 30		
13.	8.1.1.00501	CO BOLT M8X22 HHB		
14.	8.5.2.00030	CO SNAP RING 80 UNI 7437		
15.	8.5.3.00955	CO SNAP RING SB 81		
16.	0.209.7100.00	CO SPACER		
17.	8.6.6.00201	CO PLUG 3/8 GAS		
18.	8.7.1.00748	CO DOUBLE LIP SEAL 40X80X12		
19.	8.7.3.00055	CO OIL SEAL 35 X 72 X 10		
20.	0.209.1300.00	CO COVER		
21.	A244.501	CO SHIM 40.3 X 51.5 826-067C		
22.	8.5.1.00680	CO SNAP RING 40 UNI 7436		
23.	0.267.7500.00	CO SHIM 79.9		
24.	A.248.500	COMER SHIM KIT 71.7		
25.	8.5.2.00131	CO SNAP RING INT 72 UN17437		
26.	8.4.7.00516	CO COTTER PIN B5 X 50		
27.	0.209.7101.00	CO 3/8 GAS OIL LEVEL BREATHER		

### **Gearbox (826-384C) Comer (Service Only)**

Applies to RC1548, RC1560, RC1572



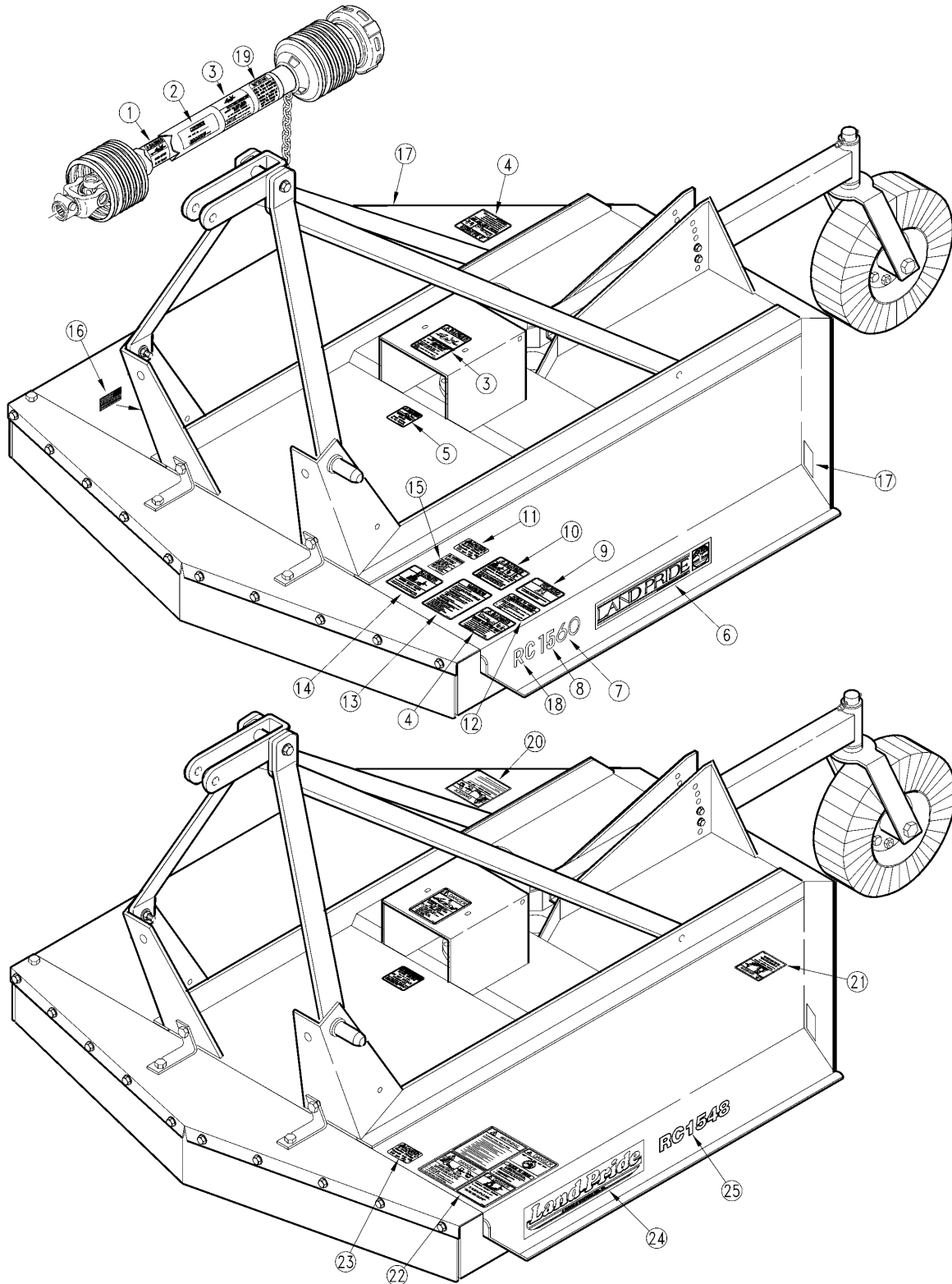
21449

**Gearbox (826-384C) Comer (Service Only)****Applies to RC1548, RC1560, RC1572**

<b>Ref</b>	<b>Part No.</b>	<b>Part Description</b>	<b>Comments</b>	<b>Revision</b>
	dwg21449	Drawing Image Number		
1.	0.131.5000.00	CO CROWN GEAR Z22 M5		
2.	0.209.0300.00	CO CASTING		
3.	0.209.2000.00	CO INPUT SHAFT 1.38 SMOOTH		
4.	0.135.6201.00	CO PINION Z15 M5		
5.	0.135.7105.00	CO SPACER		
6.	8.7.0.00744	CO CAP 72 X 10		
7.	1.135.7100.00	CO WASHER PROTECTIVE		
8.	822-188C	BALL BEARING 6208		
9.	822-188C	BALL BEARING 6208		
10.	8.2.2.00515	CO NUT, CASTLE M24 X 2		
11.	8.3.2.00409	CO FLAT WASHER 25 X 44 X 4		
12.	8.4.1.00993	CO PARALLEL KEY B 10 X 8 X 30		
13.	8.1.1.00501	CO BOLT M8X22 HHB		
14.	8.5.2.00030	CO SNAP RING 80 UNI 7437		
15.	8.5.3.00955	CO SNAP RING SB 81		
16.	0.209.7100.00	CO SPACER		
17.	8.6.6.00201	CO PLUG 3/8 GAS		
18.	8.7.1.00748	CO DOUBLE LIP SEAL 40X80X12		
19.	8.7.3.00055	CO OIL SEAL 35 X 72 X 10		
20.	0.209.1300.00	CO COVER		
21.	A244.501	CO SHIM 40.3 X 51.5		
22.	8.5.1.00680	CO SNAP RING 40 UNI 7436		
23.	0.267.7500.00	CO SHIM 79.9		
24.	A.248.500	COMER SHIM KIT 71.7		
25.	8.5.2.00131	CO SNAP RING INT 72 UN17437		
26.	8.4.7.00516	CO COTTER PIN B5 X 50		
27.	0.209.7101.00	CO 3/8 GAS OIL LEVEL BREATHER		

### Label Placement

Applies to RC1548, RC1560, RC1572



17557

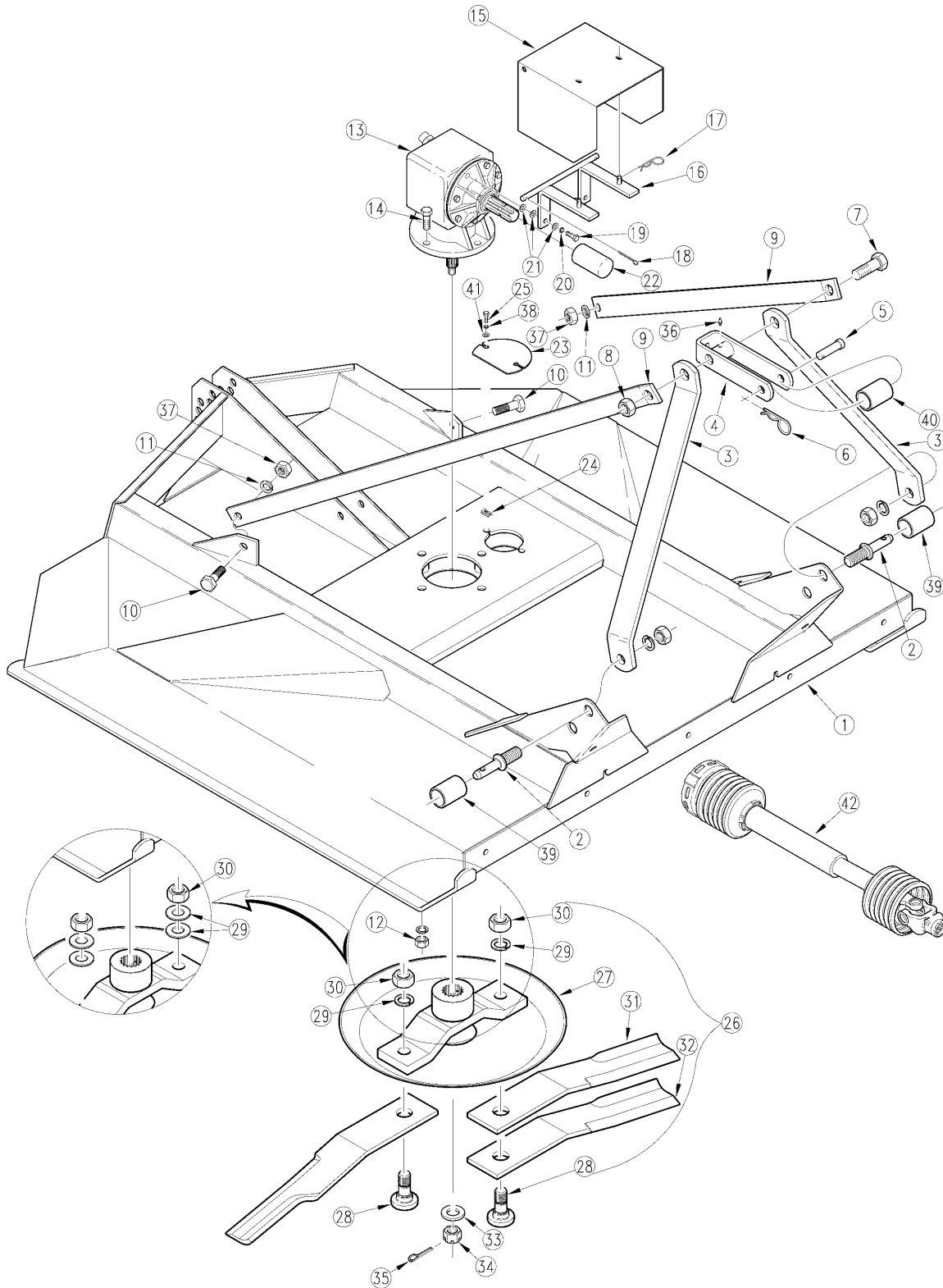
## Label Placement

### Applies to RC1548, RC1560, RC1572

Ref	Part No.	Part Description	Comments	Revision
	dwg17557	Drawing Image Number		
	312-048A	RC15 SAFETY DECAL PACKAGE	Includes all safety decals	
	312-049A	RC1548 DECAL PACKAGE	Includes all 1548 decals shown	
	312-050A	RC1560 DECAL PACKAGE	Includes all 1560 decals shown	
	312-051A	RC1572 DECAL PACKAGE	Includes all 1572 decals shown	
1.	818-540C	DECAL DANGER GUARD MISS PTO		
2.	818-172C	DECAL PTO 1548 & 1560 RC SHEAR		
2.	818-173C	DECAL PTO 1572 RC SHEAR		
2.	818-174C	DECAL PTO 1548 & 1560 RC SLIP		
2.	818-175C	DECAL PTO 1572 RC SLIP		
3.	818-552C	DECAL DANGER PTO DRIVELINE		
4.	818-555C	DECAL DANGER ROTATE BLADE	Replaced by item #21 part # 818-564C only on the right rear of deck	
5.	818-187C	DECAL DANGER DRIVELINE SHIELD		
6.	818-162C	LP LOGO LARGE GREEN	(S/N 258679-) RC1548	
7.	818-087C	DECAL 48" LP - BLACK	(S/N 258679-) RC1548	
7.	818-090C	DECAL 60" LP - BLACK SHOWN		
7.	818-092C	DECAL 72" LP - BLACK		
8.	818-084C	DECAL 15 SERIES LP - BLACK	(S/N 258679-) RC1548	
9.	818-557C	DECAL DANGER CANNOT READ ENG		
10.	818-564C	DECAL RC OSHA AG CHAIN GUARD		
11.	818-130C	DECAL CAUTION 540 RPM		
12.	818-560C	DECAL NOTICE TO OWNER-NO WARRA		
13.	818-554C	DECAL WARNING GEN SAFE CUTTER		
14.	818-556C	DECAL DANGER THROWN OBJ CUTTER		
15.	818-161C	DECAL CAUTION GENERAL RC SAFE		
16.	818-190C	DECAL FLAG		
17.	818-230C	DECAL RED REFLECTOR		
18.	818-741C	DECAL RC LAND PRIDE BLACK		
19.	818-680C	DECAL IMPORTANT - SLIP CLUTCH	(S/N 211783+)	
20.	818-564C	DECAL DANGER ROTATING BLADES	(S/N 225758+ RC1548)	
21.	818-556C	DECAL DANGER THROWN OBJ CUTTER	(S/N 225758+ RC1548)	
22.	818-830C	DECAL SAFETY COMBO SUNWEST	(S/N 225758+ RC1548)	
23.	818-130C	DECAL CAUTION 540 RPM		
24.	818-901C	DECAL LANDPRIDE 16" - BROWN	(S/N 258680+) RC1548	
25.	818-923C	DECAL RC1548-BROWN	(S/N 258680+) RC1548	

**Deck 60 & 72**

Applies to RC2560, RC2572



10428

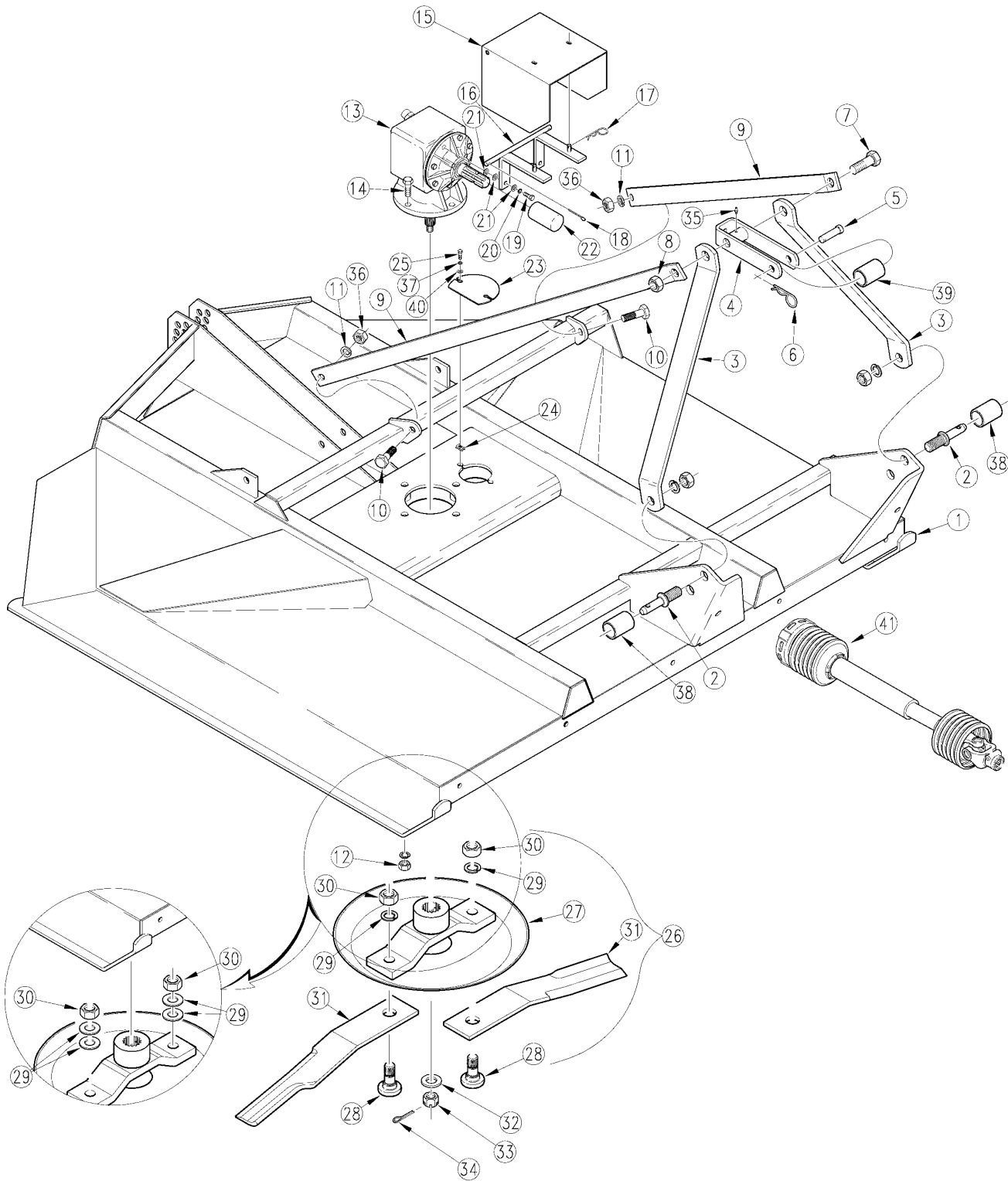


**Deck 60 & 72****Applies to RC2560, RC2572**

<b>Ref</b>	<b>Part No.</b>	<b>Part Description</b>	<b>Comments</b>	<b>Revision</b>
	dwg10428	Drawing Image Number		
1.	312-125H	RC2560 DECK WELDMENT		
1.	312-117H	2572 DECK WLDM'T		
2.	805-163C	PIN HITCH CAT. 2-1 FORGED	(S/N 65280+)	Rev. 2
2.	805-150C	PIN HITCH 1 1/8-12X6 1/4 CAT2	(S/N 65279-)	Rev 1; Use up stock
3.	312-115D	HITCH STRAP		
4.	312-276H	UPPER HITCH WELDMENT CAT 1	(S/N 65280+)	Rev. 2 not compat. w/Rev. 1
4.	312-069H	UPPER HITCH WLDM'T	(S/N 65279-)	Rev. 1
5.	805-142C	PIN CLEVIS 3/4 X 3 1/2 PLT	(S/N 65280+)	Rev. 2 not compat. w/Rev. 1
5.	805-090C	PIN CLEVIS 1 X 3 3/16 LG	(S/N 65279-)	Rev. 1
6.	805-143C	PIN HAIR COTTER .120 PLT	(S/N 65280+)	Rev. 2 not compat. w/Rev. 1
6.	805-088C	PIN, HAIR COTTER 3/16 WIRE DIA	(S/N 65279-)	Rev. 1
7.	802-074C	HHCS 1-8X6 1/2 GR5		
8.	803-038C	NUT HEX 1-8 NYLON INSERT PLT		
9.	312-255D	2560 HITCH BRACE		
9.	312-164D	HITCH BRACE-6'		
10.	802-064C	HHCS 3/4-10X2 GR5		
11.	804-023C	WASHER LOCK SPRING 3/4 PLT		
12.	803-025C	NUT HEX 3/4-10 PLT NYLOCK		
13.	826-035C	GEARBOX RC61SS 1:1.46 INCREASE		
14.	802-068C	HHCS 3/4-10X4 GR5		
15.	312-180D	GEARBOX SHIELD		
16.	312-061H	GEARBOX COVER HINGE WLDM'T		
17.	805-010C	PIN HAIR COTTER .094		
18.	805-069C	PIN COTTER 3/16 X 1		
19.	802-022C	HHCS 3/8-16X1 1/2 GR5		
20.	804-013C	WASHER LOCK SPRING 3/8 PLT		
21.	804-012C	WASHER FLAT 3/8 SAE PLT		
22.	817-050C	GEARBOX SHAFT PROTECTOR	S/N 220346-	
23.	312-459D	ACCESS COVER - BLADE BOLT		
24.	800-086C	U-TYPE FASTENER 5/16-18 (N/A)	(S/N 65279-) Not available	
25.	802-010C	HHCS 5/16-18X1 1/4 GR5		
26.	312-126S	RC2560 BLADE CARRIER ASSY	Includes one of item 27; two of items 28, 30 & 31 & four of item 29	
26.	312-118S	2572 BLADE CARRIER ASSY	Includes one of item 27; two of items 28, 30 & 32 & four of item 29	
27.	312-086E	13" RND DISHPAN WLDMNT 1.5" OS		
28.	802-277C	BLADE BOL 1 1/8-12X3 7/16 W/KY		
29.	804-147C	WASHER FLAT 1 HARD ASTM436 PN	(S/N 176181+)	Rev. 2
29.	804-067C	WASHER LOCK 1 1/8	(S/N 176180-)	Rev 1; Use up stock
30.	803-170C	NUT HEX LOCK 1 1/8-12 STA GR C		
31.	820-067C	CUTTER BLADE 1/2X3X24.5 CCW LL	RCR2560 Quantity 2 per cutter	
32.	820-066C	CUTTER BLADE 1/2 X3X30 1/2 CCW	RCR2572 Quantity 2 per cutter	
33.	804-070C	FLAT WASHER 1" SPECIAL		
34.	803-095C	NUT HEX SLOTTED 1-14		
35.	805-017C	PIN COTTER 3/16 X 1 3/4 PLT		
36.	800-080C	ZERK GREASE 1/4-28 THD FORMING		
37.	803-027C	NUT HEX 3/4-10 PLT		
38.	804-009C	WASHER LOCK SPRING 5/16 PLT		
39.	827-010C	BUSHING 7/8ID X1 1/8OD,1 3/4LG	(S/N 65280+)	
40.	122-076D	PW PIVOT TUBE LONG	(S/N 65280+)	
41.	804-010C	WASHER FLAT 5/16 USS PLT		
42.	826-042C	PTO 3510 & 2560 SLIP CLUTCH	RC2560	
42.	826-033C	PTO 2400X35.8 SLIP CLUTCH	RC2572	

# Deck 72 Offset

Applies to RC2572



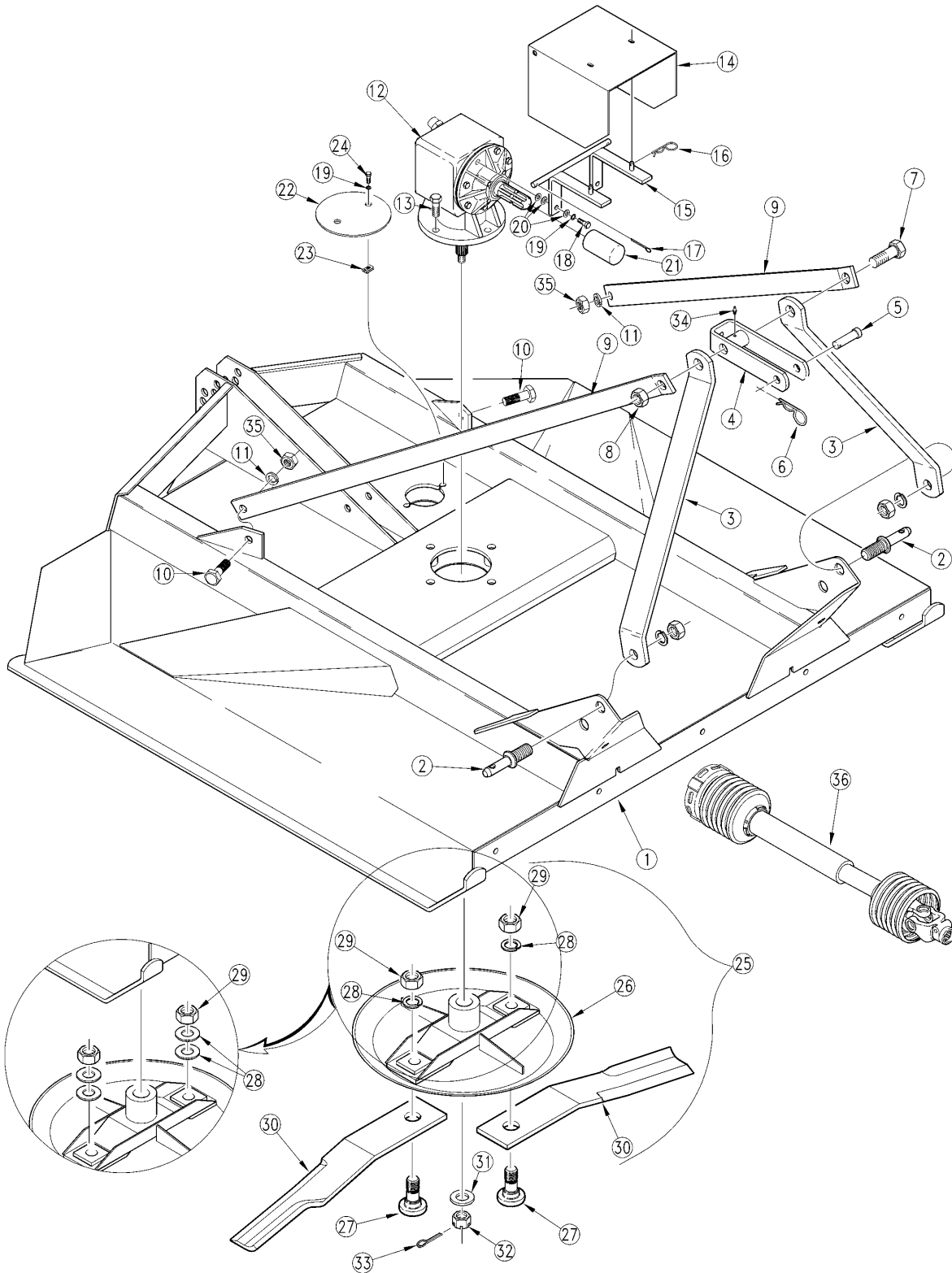
10429

**Deck 72 Offset****Applies to RC2572**

Ref	Part No.	Part Description	Comments	Revision
	dwg10429	Drawing Image Number		
1.	312-184H	RC 2572 OFFSET DECK WELDMENT		
2.	805-163C	PIN HITCH CAT. 2-1 FORGED	(S/N 65280+); Includes Nut & Lockwasher	Rev. 2
2.	805-150C	PIN HITCH 1 1/8-12X6 1/4 CAT2	(S/N 65279-); Includes Nut & Lockwasher	Rev 1; Use up stock
3.	312-115D	HITCH STRAP		
4.	312-276H	UPPER HITCH WELDMENT CAT 1	(S/N 65280+)	Rev. 2 not compat. w/Rev. 1
4.	312-069H	UPPER HITCH WLDM'T	(S/N 65279-)	Rev. 1
5.	805-142C	PIN CLEVIS 3/4 X 3 1/2 PLT	(S/N 65280+)	Rev. 2 not compat. w/Rev. 1
5.	805-090C	PIN CLEVIS 1 X 3 3/16 LG	(S/N 65279-)	Rev. 1
6.	805-143C	PIN HAIR COTTER .120 PLT	(S/N 65280+)	Rev. 2 not compat. w/Rev. 1
6.	805-088C	PIN, HAIR COTTER 3/16 WIRE DIA	(S/N 65279-)	Rev. 1
7.	802-074C	HHCS 1-8X6 1/2 GR5		
8.	803-038C	NUT HEX 1-8 NYLON INSERT PLT		
9.	312-255D	2560 HITCH BRACE		
10.	802-064C	HHCS 3/4-10X2 GR5		
11.	804-023C	WASHER LOCK SPRING 3/4 PLT		
12.	803-025C	NUT HEX 3/4-10 PLT NYLOCK		
13.	826-035C	GEARBOX RC61SS 1:1.46 INCREASE		
14.	802-068C	HHCS 3/4-10X4 GR5		
15.	312-180D	GEARBOX SHIELD		
16.	312-061H	GEARBOX COVER HINGE WLDM'T		
17.	805-010C	PIN HAIR COTTER .094		
18.	805-069C	PIN COTTER 3/16 X 1		
19.	802-022C	HHCS 3/8-16X1 1/2 GR5		
20.	804-013C	WASHER LOCK SPRING 3/8 PLT		
21.	804-012C	WASHER FLAT 3/8 SAE PLT		
22.	817-050C	GEARBOX SHAFT PROTECTOR		
23.	312-459D	ACCESS COVER - BLADE BOLT		
24.	800-086C	U-TYPE FASTENER 5/16-18 (N/A)	(S/N 65279-) Not available	
25.	802-010C	HHCS 5/16-18X1 1/4 GR5		
26.	312-118S	2572 BLADE CARRIER ASSY	Includes one of item 27; two of items 28, 30 & 31 & four of item 29	
27.	312-086E	13" RND DISHPAN WLDMNT 1.5" OS		
28.	802-277C	BLADE BOL 1 1/8-12X3 7/16 W/KY		
29.	804-147C	WASHER FLAT 1 HARD ASTM F436 PN	(S/N 176181+)	Rev. 2
29.	804-067C	WASHER LOCK 1 1/8	(S/N 176180-)	Rev 1; Use up stock
30.	803-170C	NUT HEX LOCK 1 1/8-12 STA GR C		
31.	820-066C	CUTTER BLADE 1/2 X3X30 1/2 CCW	Quantity 2 per cutter	
32.	804-070C	FLAT WASHER 1" SPECIAL		
33.	803-095C	NUT HEX SLOTTED 1-14		
34.	805-017C	PIN COTTER 3/16 X 1 3/4 PLT		
35.	800-080C	ZERK GREASE 1/4-28 THD FORMING		
36.	803-027C	NUT HEX 3/4-10 PLT		
37.	804-009C	WASHER LOCK SPRING 5/16 PLT		
38.	827-010C	BUSHING 7/8ID X1 1/8OD, 1 3/4LG	(SN 65280+)	
39.	122-076D	PW PIVOT TUBE LONG	(SN 65280+)	
40.	804-010C	WASHER FLAT 5/16 USS PLT		
41.	826-033C	PTO 2400X35.8 SLIP CLUTCH		

**Deck 84**

Applies to RC2584



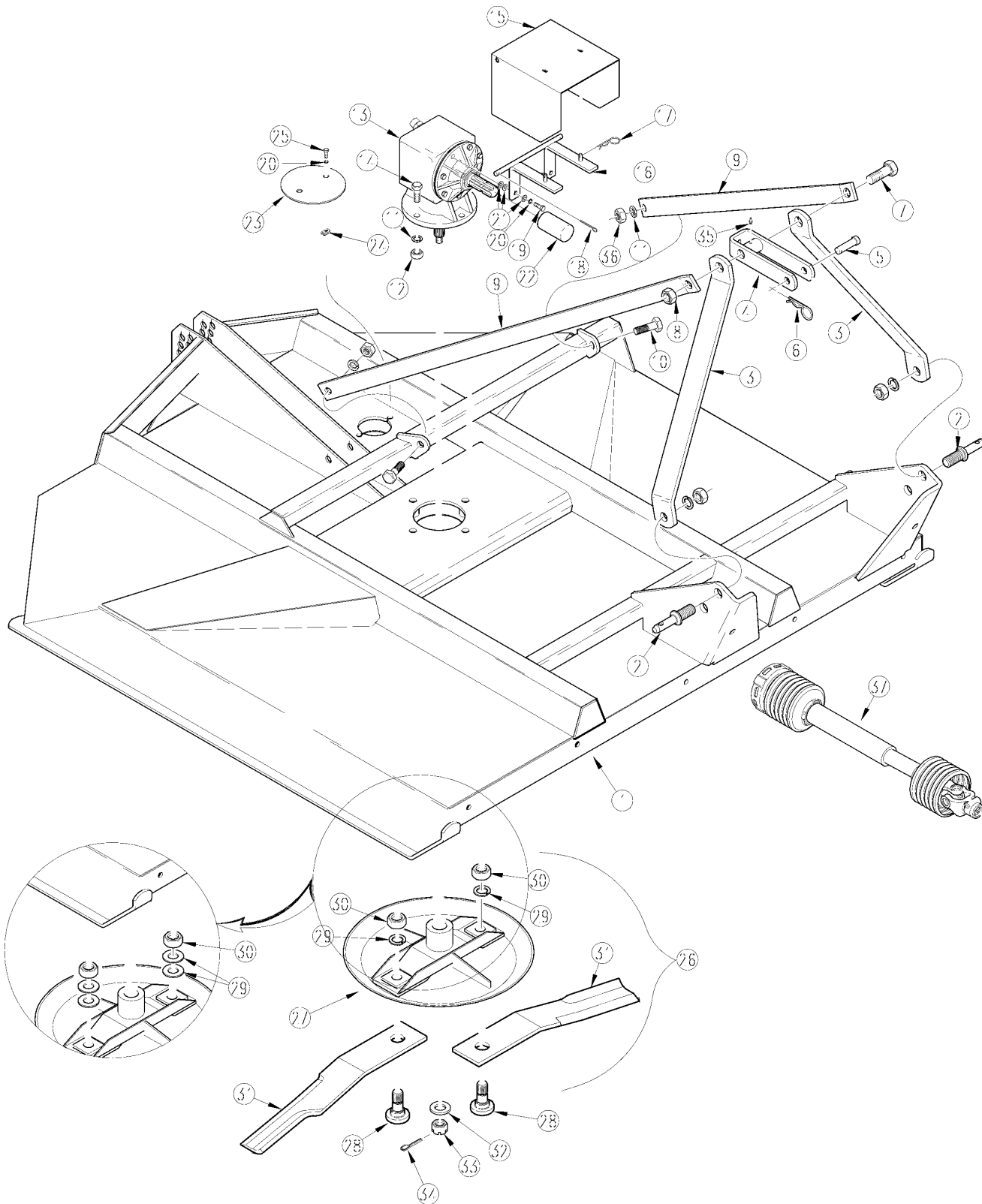
10430

**Deck 84****Applies to RC2584**

Ref	Part No.	Part Description	Comments	Revision
	dwg10430	Drawing Image Number		
1.	312-110H	RC2584 DECK WLDM'T		
2.	805-150C	PIN HITCH 1 1/8-12X6 1/4 CAT2	Includes nut & lockwasher	
3.	312-115D	HITCH STRAP		
4.	312-069H	UPPER HITCH WLDM'T		
5.	805-090C	PIN CLEVIS 1 X 3 3/16 LG		
6.	805-088C	PIN, HAIR COTTER 3/16 WIRE DIA		
7.	802-074C	HHCS 1-8X6 1/2 GR5		
8.	803-038C	NUT HEX 1-8 NYLON INSERT PLT		
9.	312-118D	HITCH BRACE		
10.	802-064C	HHCS 3/4-10X2 GR5		
11.	804-023C	WASHER LOCK SPRING 3/4 PLT		
12.	826-038C	GEARBOX RC61SS 1:1.21 INCREASE		
13.	802-068C	HHCS 3/4-10X4 GR5		
14.	312-180D	GEARBOX SHIELD		
15.	312-061H	GEARBOX COVER HINGE WLDM'T		
16.	805-010C	PIN HAIR COTTER .094		
17.	805-069C	PIN COTTER 3/16 X 1		
18.	802-022C	HHCS 3/8-16X1 1/2 GR5		
19.	804-013C	WASHER LOCK SPRING 3/8 PLT		
20.	804-012C	WASHER FLAT 3/8 SAE PLT		
21.	817-050C	GEARBOX SHAFT PROTECTOR		
22.	312-129D	ACCESS COVER		
23.	800-083C	U-TYPE FASTENER 3/8-16		
24.	802-017C	HHCS 3/8-16X1 GR5		
25.	312-112S	2584 BLADE CARRIER ASSY	Includes one of item 27; two of items 28, 30 & 31 & four of item 29	
26.	312-108H	25" ROUND DISHPAN WLDMNT SHORT		
27.	802-277C	BLADE BOL 1 1/8-12X3 7/16 W/KY		
28.	804-147C	WASHER FLAT 1 HARD ASTM F436 PN	(S/N 176181+)	Rev. 2 not compat. w/Rev. 1
28.	804-067C	WASHER LOCK 1 1/8	(S/N 176180-)	Rev. 1
29.	803-170C	NUT HEX LOCK 1 1/8-12 STA GR C		
30.	820-066C	CUTTER BLADE 1/2 X3X30 1/2 CCW	Quantity 2 per cutter	
31.	804-070C	FLAT WASHER 1" SPECIAL		
32.	803-095C	NUT HEX SLOTTED 1-14		
33.	805-017C	PIN COTTER 3/16 X 1 3/4 PLT		
34.	800-080C	ZERK GREASE 1/4-28 THD FORMING		
35.	803-027C	NUT HEX 3/4-10 PLT		
36.	826-027C	PTO 2400 X 43.7 SLIP CLUTCH		

**Deck 84 Offset**

Applies to RC2584



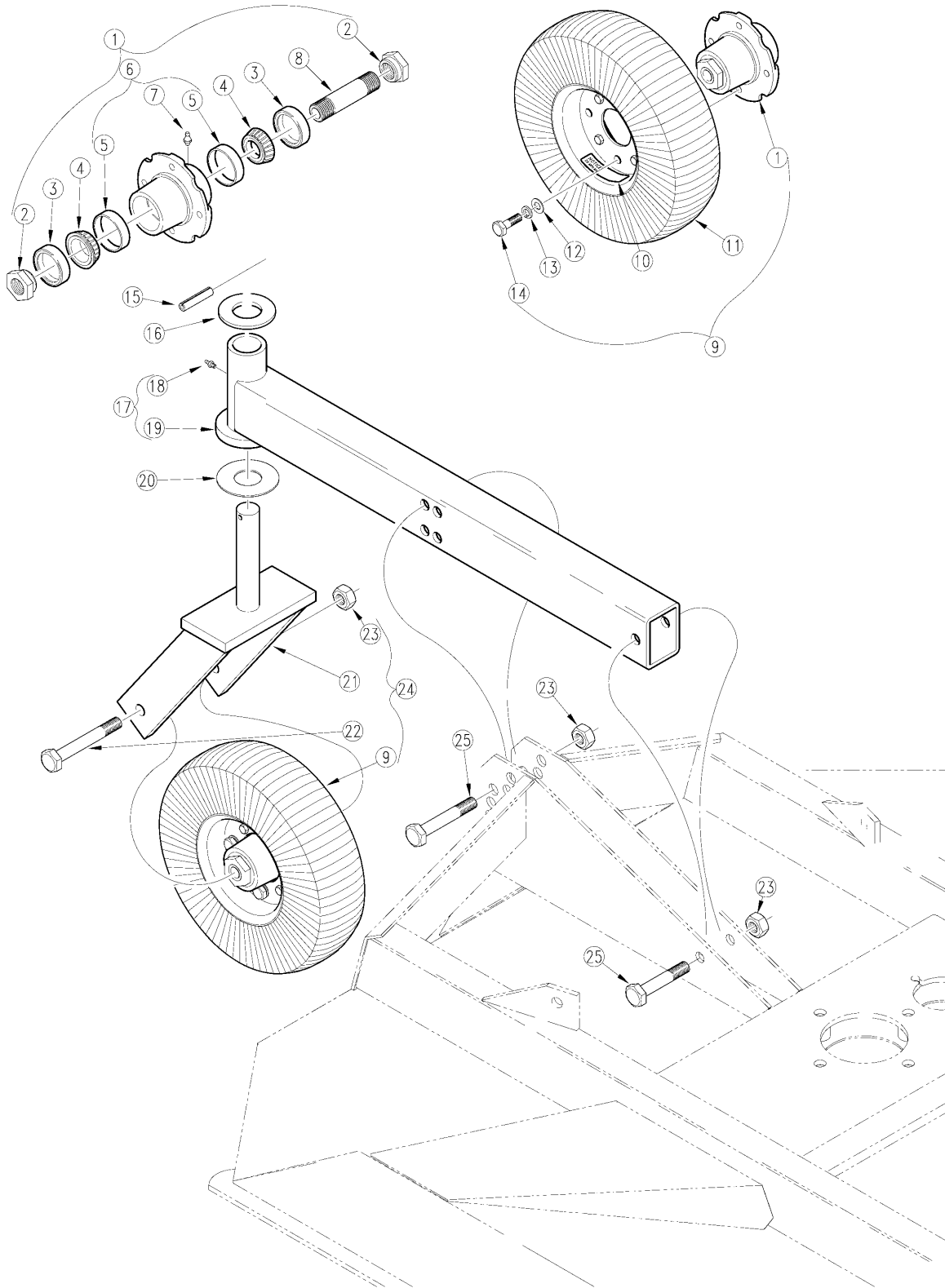
10431

**Deck 84 Offset****Applies to RC2584**

Ref	Part No.	Part Description	Comments	Revision
	dwg10431	Drawing Image Number		
1.	312-172H	RC 2584 OFFSET DECK WELDMNT		
2.	805-150C	PIN HITCH 1 1/8-12X6 1/4 CAT2	Includes nut & lockwasher	
3.	312-115D	HITCH STRAP		
4.	312-069H	UPPER HITCH WLDM'T		
5.	805-090C	PIN CLEVIS 1 X 3 3/16 LG		
6.	805-088C	PIN, HAIR COTTER 3/16 WIRE DIA		
7.	802-074C	HHCS 1-8X6 1/2 GR5		
8.	803-038C	NUT HEX 1-8 NYLON INSERT PLT		
9.	312-164D	HITCH BRACE-6'		
10.	802-064C	HHCS 3/4-10X2 GR5		
11.	804-023C	WASHER LOCK SPRING 3/4 PLT		
12.	803-025C	NUT HEX 3/4-10 PLT NYLOCK		
13.	826-038C	GEARBOX RC61SS 1:1.21 INCREASE		
14.	802-068C	HHCS 3/4-10X4 GR5		
15.	312-180D	GEARBOX SHIELD		
16.	312-061H	GEARBOX COVER HINGE WLDM'T		
17.	805-010C	PIN HAIR COTTER .094		
18.	805-069C	PIN COTTER 3/16 X 1		
19.	802-022C	HHCS 3/8-16X1 1/2 GR5		
20.	804-013C	WASHER LOCK SPRING 3/8 PLT		
21.	804-012C	WASHER FLAT 3/8 SAE PLT		
22.	817-050C	GEARBOX SHAFT PROTECTOR		
23.	312-129D	ACCESS COVER		
24.	800-083C	U-TYPE FASTENER 3/8-16		
25.	802-017C	HHCS 3/8-16X1 GR5		
26.	312-112S	2584 BLADE CARRIER ASSY	Includes one of item 27; two of items 28, 30 & 31 & four of item 29	
27.	312-108H	25" ROUND DISHPAN WLDMNT SHORT		
28.	802-277C	BLADE BOL 1 1/8-12X3 7/16 W/KY		
29.	804-067C	WASHER LOCK 1 1/8		
30.	803-170C	NUT HEX LOCK 1 1/8-12 STA GR C		
31.	820-066C	CUTTER BLADE 1/2 X3X30 1/2 CCW	Quantity 2 per cutter	
32.	804-070C	FLAT WASHER 1" SPECIAL		
33.	803-095C	NUT HEX SLOTTED 1-14		
34.	805-017C	PIN COTTER 3/16 X 1 3/4 PLT		
35.	800-080C	ZERK GREASE 1/4-28 THD FORMING		
36.	803-027C	NUT HEX 3/4-10 PLT		
37.	826-027C	PTO 2400 X 43.7 SLIP CLUTCH		

# Tailwheel

Applies to RC2560, RC2572, RC2584



10432

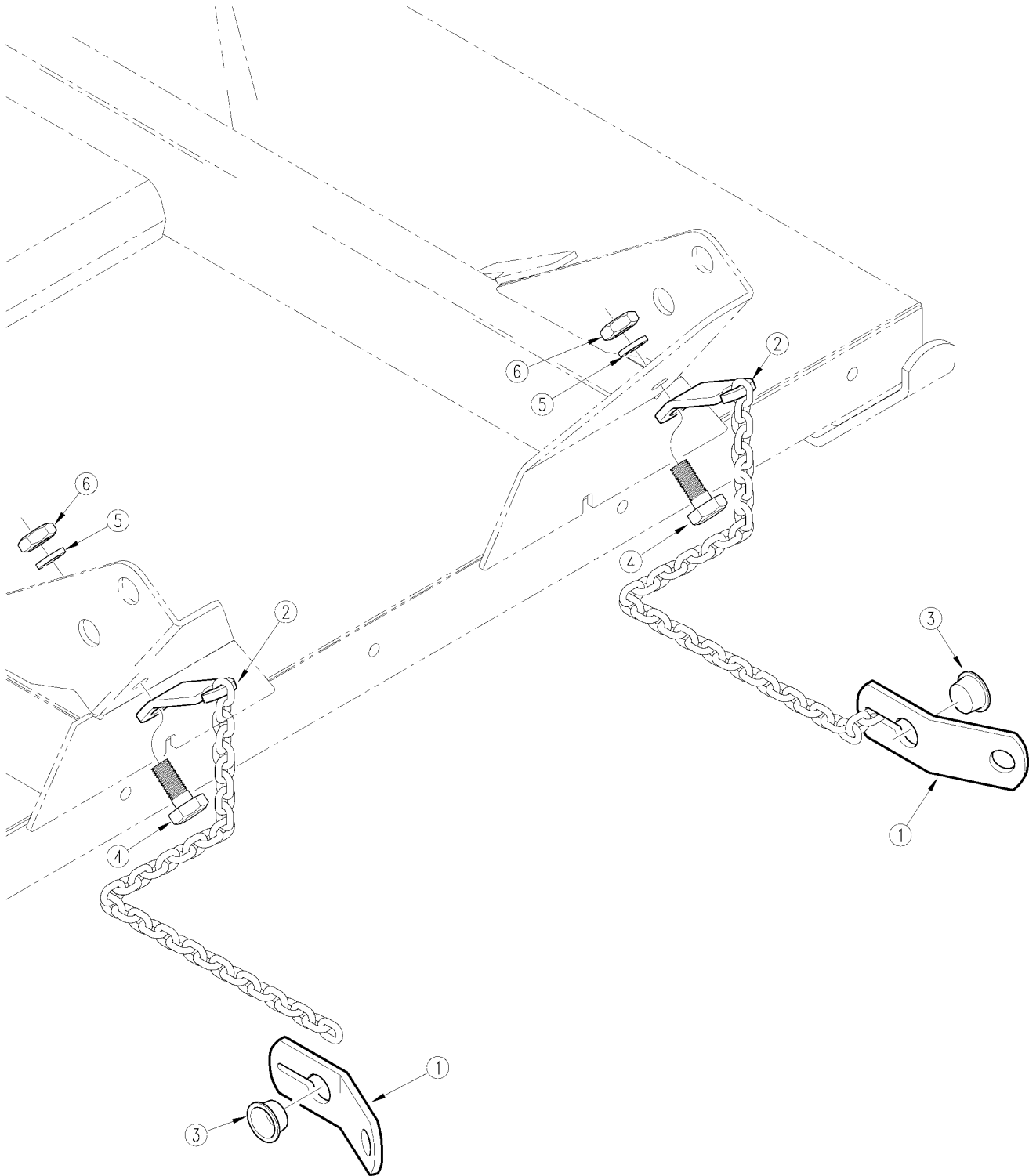


**Tailwheel****Applies to RC2560, RC2572, RC2584**

Ref	Part No.	Part Description	Comments	Revision
	dwg10432	Drawing Image Number		
1.	815-092C	HUB & SPINDLE ASSY 4 BOLT	Includes one of items 6; 7 & 8 and two of items 2 through 5	Rev. 2
1.	312-068S	RC35 HUB ASSY		Rev 1; Use up stock
2.	803-289C	NUT HEX 1 1/4-7(MACHINED)PLAIN		Rev. 2
2.	312-124D	TW SHOULDER NUT		Rev 1; Use up stock
3.	816-286C	OIL SEAL DBL LIP 2.441 BORE		Rev. 2
3.	816-009C	OIL SEAL DOUBLE LIP		Rev 1; Use up stock
4.	822-091C	BEARING CONE 15123		
5.	822-092C	BEARING CUP 15245		
6.	815-093C	HUB 4 BOLT WHL W/CUPS & ZERK		Rev. 2
6.	312-106D	4 BOLT HUB		Rev 1; Use up stock
7.	800-001C	GREASE ZERK STRAIGHT 1/4-28		
8.	827-036C	BUSHING TW 1.25ODX.78IDX5 1/4		Rev. 2
8.	312-123D	TW SPINDLE TUBE		Rev 1; Use up stock
9.	814-162C	LAM 4 X 8 TIRE-WHEEL-HUB	Includes one of items 1; 10 & 11 and four of items 12; 13 & 14	Rev. 2
9.	312-131K	RC25 & 35 TW ASSY - 15		Rev 1; Use up stock
10.	818-681C	DECAL NOTICE - 20 MPH MAX		
11.	814-058C	TIRE & WHEEL LAMINATED 4.0 X 8		
12.	804-016C	WASHER FLAT 1/2 SAE PLT		
13.	804-015C	WASHER LOCK SPRING 1/2 PLT		
14.	802-240C	HHCS 1/2-20X1 GR5		
15.	805-255C	PIN ROLL 3/8 X 2 1/2 PLT	(S/N 209101+)	Rev. 2 not compat. w/Rev. 1
15.	805-043C	PIN SPIRAL 3/8X2 1/2 PLAIN	(S/N 209100-)	Rev. 1
16.	804-071C	WASHER FLAT 1 1/2 SAE PLT		
17.	312-127K	RC2560 BOOM ASSY		
17.	312-119K	2572 BOOM ASSY		
17.	312-113K	2584 BOOM ASSY		
18.	800-080C	GREASE ZERK 1/4-28 THD FORMING		
19.	312-132H	2560 BOOM WELDMENT		
19.	312-123H	2572 BOOM WLDM'T		
19.	312-109H	2584 BOOM WELDMENT		
20.	312-147D	TAILWHEEL WASHER		
21.	890-583C	RC25 TAILWHEEL YOKE		Rev. 2
21.	312-077H	RC25 YOKE WELDMENT		Rev 1; Use up stock
22.	802-280C	HHCS 3/4-10X7 1/2 GR5		
23.	803-026C	NUT LOCK 3/4-10 PLT		
24.	814-161C	LAM 4 X 8 TIRE-WHEEL-HUB-YOKE	Includes one of items 9; 21; 22 & 23	Rev. 2
24.	312-111L	RC25 & 35-15 TW & YOKE ASSY		Rev 1; Use up stock
25.	802-192C	HHCS 3/4-10X4 1/2 GR5		

## Chain Kit

Applies to RC2560, RC2572, RC2584



10446

## Chain Kit

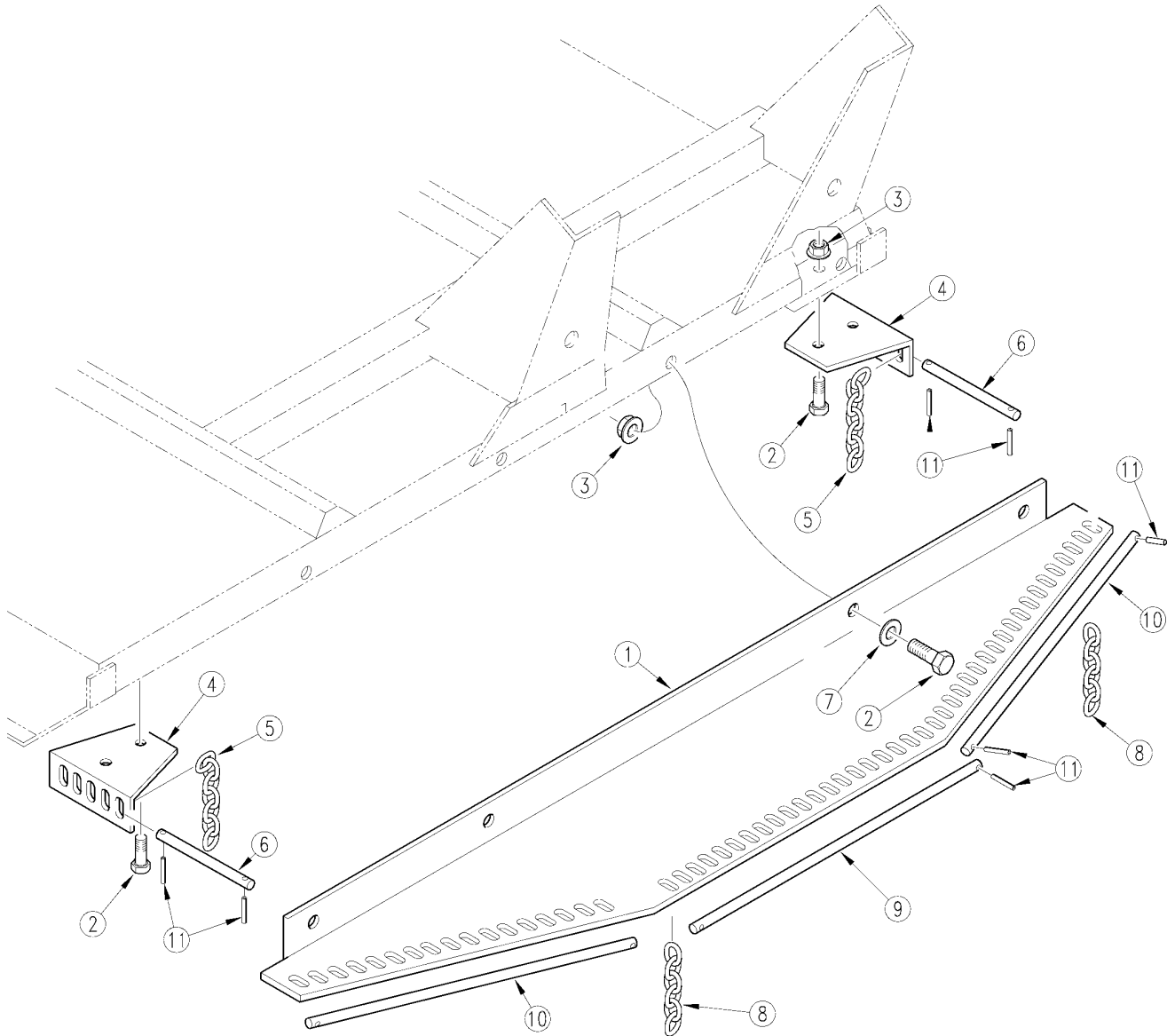
---

### Applies to RC2560, RC2572, RC2584

Ref	Part No.	Part Description	Comments	Revision
	dwg10446	Drawing Image Number		
	312-071A	CHECK CHAIN ASSY		
1.	312-136D	CHECK CHAIN MT - TRACTOR		
2.	312-062H	CHECK CHAIN WLDM'T		
3.	817-057C	PLUG CAP 1 3/8 X 3/4		
4.	802-184C	HHCS 3/4-10X1 1/2 GR5		
5.	804-023C	WASHER LOCK SPRING 3/4 PLT		
6.	803-027C	NUT HEX 3/4-10 PLT		

## Guard Front Safety Chain

Applies to RC2560, RC2572, RC2584



10434

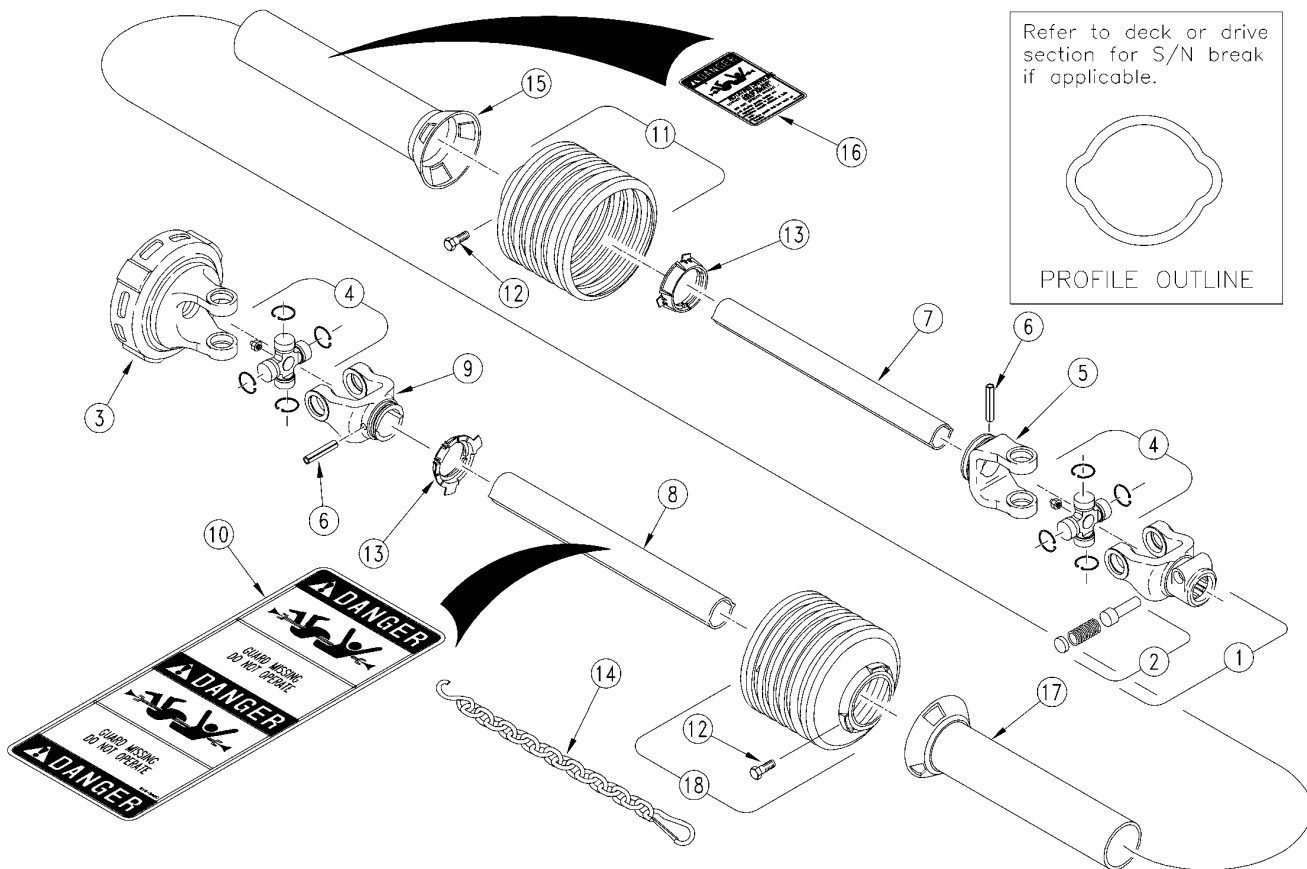
## Guard Front Safety Chain

### Applies to RC2560, RC2572, RC2584

Ref	Part No.	Part Description	Comments	Revision
	dwg10434	Drawing Image Number		
	312-124A	RC 2560 & 3560 CHAIN GUARD ASY	Complete RC2560 chain guard assy	
	312-082A	RC2572 & 3572 CHAIN GUARD	Complete RC2572 chain guard assy	
	312-070A	RC2584 & 3584 CHAIN GUARD	Complete RC2584 chain guard assy	
1.	312-257D	2560 CHAIN MOUNT		
1.	312-168D	3572 CHAIN MOUNT		
1.	312-131D	3584 CHAIN MOUNT		
2.	802-091C	HHCS 1/2-13X1 1/2 GR5		
3.	803-037C	NUT HEX WHIZ 1/2-13 PLT		
4.	312-144D	SIDE CHAIN MOUNT		
5.	890-341C	CHAIN WELD 5/16 PROOF X 5 LINK		Rev. 2
5.	312-177D	RPBY 890-341C		Rev 1; Use up stock
6.	312-169D	CHAIN HANGER ROD-SIDE		
7.	804-016C	WASHER FLAT 1/2 SAE PLT		
8.	890-175C	CHAIN 5/16 PROOF X 6 LINKS PLT		
9.	312-133D	CHAIN HANGER ROD-CENTER		
9.	312-258D	2560 CHAIN HANGER ROD - CTR.		
10.	312-170D	6' CHAIN HANGER - SIDE		
10.	312-132D	CHAIN HANGER ROD-SIDE		
11.	805-136C	PIN ROLL 1/8 X 1 1/4 LG. PLT		

### Driveline (826-027C) Walterscheid

Applies to RC2584



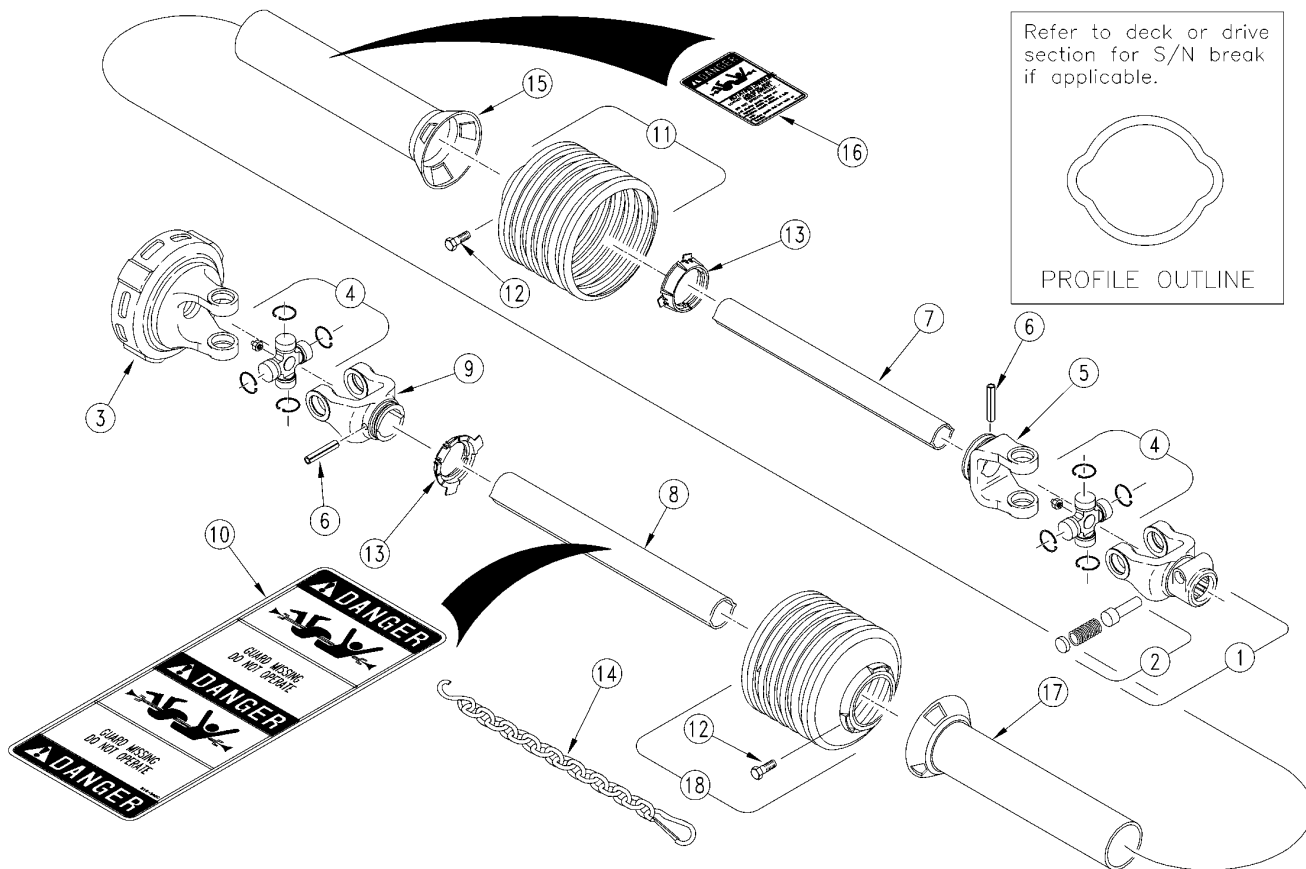
10854

***Driveline (826-027C) Walterscheid*****Applies to RC2584**

<b>Ref</b>	<b>Part No.</b>	<b>Part Description</b>	<b>Comments</b>	<b>Revision</b>
	dwg10854	Drawing Image Number		
	826-027C	PTO 2400 X 43.7 SLIP CLUTCH		
1.	056699	WS YOKE 1 3/8" - 6 SPL Q.D.		
2.	339107	WS Q.D. PIN KIT		
3.	321166	WS FRICTION CLUTCH		
4.	312410	WS CROSS BEARING KIT		
5.	019518	WS INBOARD YOKE		
6.	020617	WS SPRING PIN 10 X 20		
7.	081133	WS INNER PROFILE		
8.	081058	WS OUTER PROFILE		
9.	019519	WS INBOARD YOKE		
10.	818-540C	DECAL DANGER GUARD MISS PTO		
11.	377336	WS SHIELD CONE 6 RIB		
12.	365305	WALTERSCHEID SCREW		
13.	087276	WS BEARING RING - SC25		
14.	044321	WALTERSCHEID SAFETY CHAIN		
15.	383666	WS OUTER SHIELD TUBE-OVAL		
16.	818-552C	DECAL DANGER PTO DRIVELINE		
17.	383667	WS INNER SHIELD TUBE-ROUND		
18.	377436	WS SHIELD CONE - 6 RIB		

# Driveline (826-033C) Walterscheid

Applies to RC2572



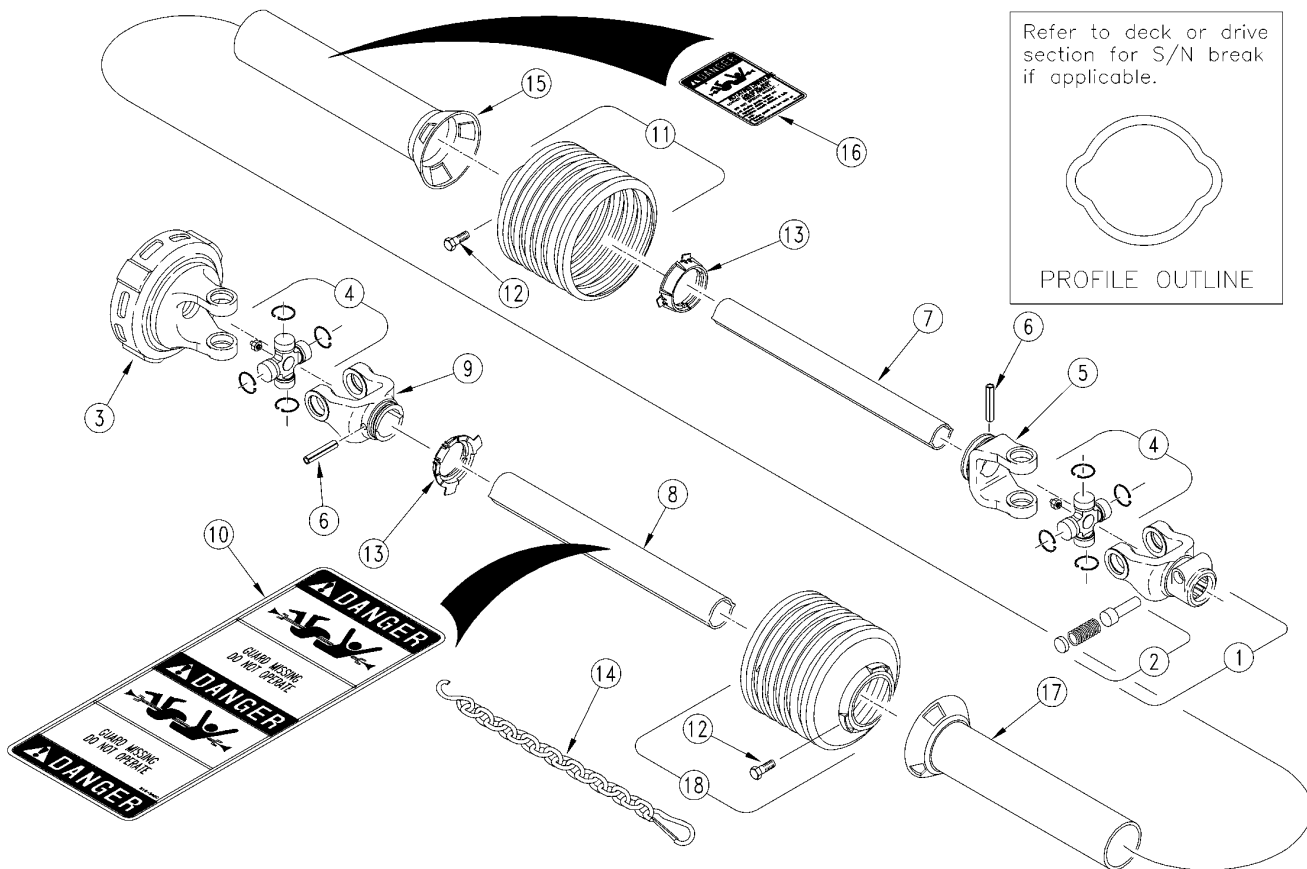


**Driveline (826-033C) Walterscheid****Applies to RC2572**

<b>Ref</b>	<b>Part No.</b>	<b>Part Description</b>	<b>Comments</b>	<b>Revision</b>
	dwg10854	Drawing Image Number		
	826-033C	PTO 2400X35.8 SLIP CLUTCH		
1.	056699	WS YOKE 1 3/8" - 6 SPL Q.D.		
2.	339107	WS Q.D. PIN KIT		
3.	321166	WS FRICTION CLUTCH		
4.	312410	WS CROSS BEARING KIT		
5.	019518	WS INBOARD YOKE		
6.	020617	WS SPRING PIN 10 X 20		
7.	082915	INNER PROFILE 72"		
8.	082916	OUTER PROFILE 72"		
9.	019519	WS INBOARD YOKE		
10.	818-540C	DECAL DANGER GUARD MISS PTO		
11.	377336	WS SHIELD CONE 6 RIB		
12.	365305	WALTERSCHEID SCREW		
13.	087276	WS BEARING RING - SC25		
14.	044321	WALTERSCHEID SAFETY CHAIN		
15.	387294	OUTER SHIELD TUBE OVAL-72"		
16.	818-552C	DECAL DANGER PTO DRIVELINE		
17.	387295	INNER SHIELD TUBE RD-72"		
18.	377436	WS SHIELD CONE - 6 RIB		

### Driveline (826-042C) Walterscheid

Applies to RC2560, RC2572, RC2584



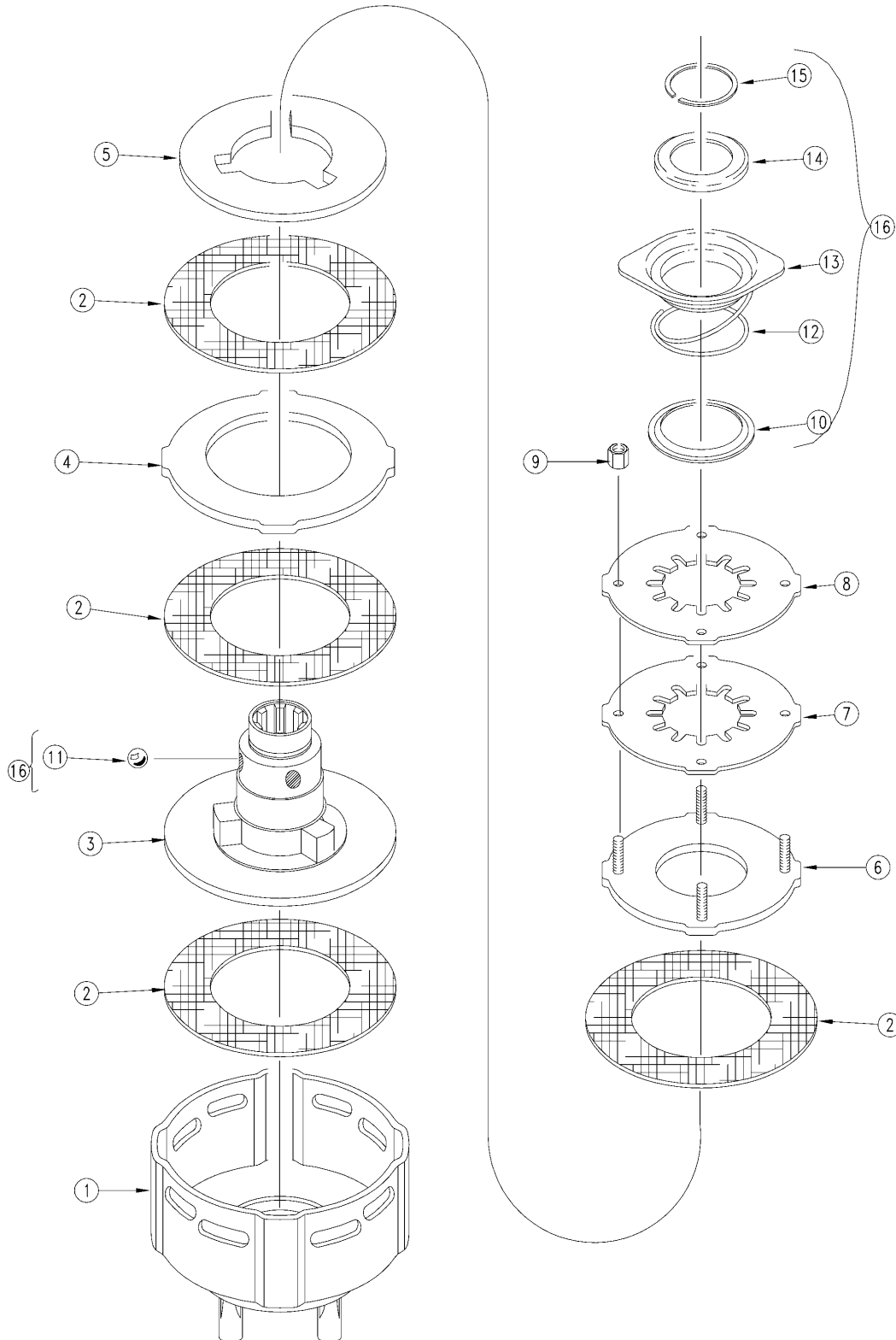
10854

***Driveline (826-042C) Walterscheid*****Applies to RC2560, RC2572, RC2584**

<b>Ref</b>	<b>Part No.</b>	<b>Part Description</b>	<b>Comments</b>	<b>Revision</b>
	dwg10854	Drawing Image Number		
	826-042C	PTO 3510 & 2560 SLIP CLUTCH		
1.	056699	WS YOKE 1 3/8" - 6 SPL Q.D.		
2.	339107	WS Q.D. PIN KIT		
3.	321166	WS FRICTION CLUTCH		
4.	312410	WS CROSS BEARING KIT		
5.	019518	WS INBOARD YOKE		
6.	020617	WS SPRING PIN 10 X 20		
7.	081763	INNER PROFILE 60"		
8.	081760	OUTER PROFILE 60"		
9.	019519	WS INBOARD YOKE		
10.	818-540C	DECAL DANGER GUARD MISS PTO		
11.	377336	WS SHIELD CONE 6 RIB		
12.	365305	WALTERSCHEID SCREW		
13.	087276	WS BEARING RING - SC25		
14.	044321	WALTERSCHEID SAFETY CHAIN		
15.	387635	OUTER SHIELD TUBE OVAL-60"		
16.	818-552C	DECAL DANGER PTO DRIVELINE		
17.	387636	INNER SHIELD TUBE RD-60"		
18.	377436	WS SHIELD CONE - 6 RIB		

### Driveline Slip Clutch (321166) Walterscheid

Applies to RC2560, RC2572, RC2584



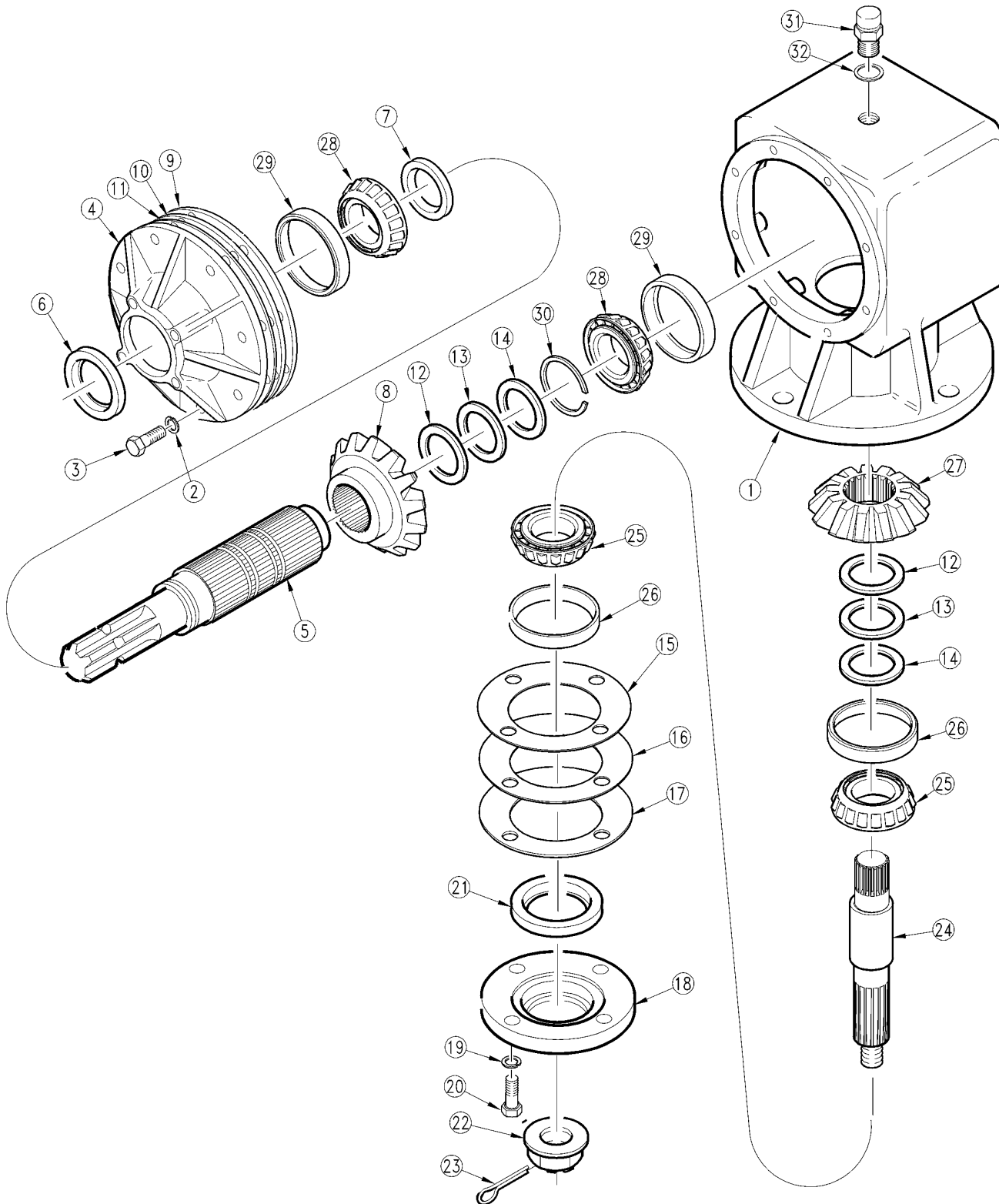
10855

***Driveline Slip Clutch (321166) Walterscheid*****Applies to RC2560, RC2572, RC2584**

<b>Ref</b>	<b>Part No.</b>	<b>Part Description</b>	<b>Comments</b>	<b>Revision</b>
	dwg10855	Drawing Image Number		
	321166	WS FRICTION CLUTCH		
1.	320527	WS CLUTCH HOUSING		
2.	168556	WS FRICTION DISK		
3.	051554	WS HUB 1 3/8" - 6 SPL.		
4.	042454	WS DRIVE PLATE		
5.	042459	WS DRIVE PLATE		
6.	381495	WALTERSCHEID THRUST PLATE		
7.	043487	WALTERSCHEID BELLEVILLE SPRING		
8.	043489	WS BELLEVILLE SPRING		
9.	381957	WALTERSCHEID HEX NUT M8		
10.	047825	WALTERSCHEID BACK UP RING		
11.	020692	WALTERSCHEID BALL		
12.	045793	WALTERSCHEID COMPRESSION SPRNG		
13.	045790	WALTERSCHEID LOCK COLLAR		
14.	338531	WS FLANGED RING		
15.	304149	WS SNAP RING		
16.	341953	WS Q.D. FLG. KIT	Includes one of items 10-15	

# Gearbox (826-035C) ITG

Applies to RC2560, RC2572



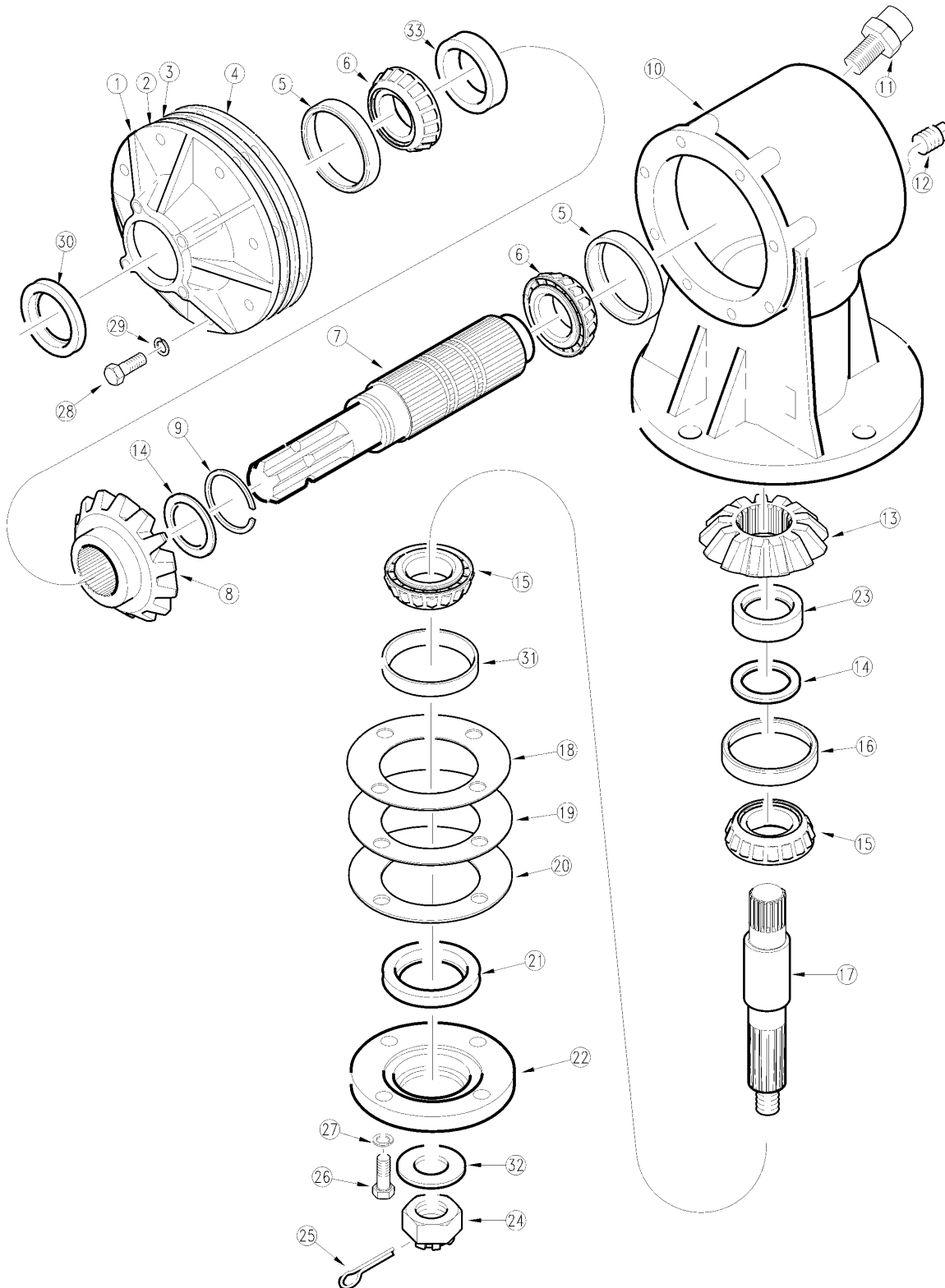
15090

**Gearbox (826-035C) ITG****Applies to RC2560, RC2572**

<b>Ref</b>	<b>Part No.</b>	<b>Part Description</b>	<b>Comments</b>	<b>Revision</b>
	dwg15090	Drawing Image Number		
	826-035C	GEARBOX RC71SS 1:1.46 INCREASE		
1.	18-027	ITG HOUSING		
2.	07-001	RPBY 804-158C		
3.	06-017	ITG HEX HEAD CAP SCREW		
4.	20-026	ITG INPUT CAP		
5.	02-054	ITG INPUT SHAFT		
6.	05-014	ITG INPUT OIL SEAL		
7.	10-027	ITG SPACER		
8.	03-060	ITG 19 TOOTH GEAR		
9.	08-006	ITG INPUT CAP GASKET 0.10MM		
10.	08-007	ITG INPUT CAP GASKET 0.25MM		
11.	08-008	ITG IN & OUT CAP GASKET 0.45MM		
12.	17-001	ITG SHIM 0.4		
13.	17-002	ITG SHIM 0.3		
14.	17-003	ITG SHIM 0.5		
15.	08-001	ITG OUTPUT CAP GASKET 0.10MM		
16.	08-002	ITG OUTPUT CAP GASKET 0.25MM		
17.	08-003	ITG OUTPUT CAP GASKET 0.45MM		
18.	20-025	ITG OUTPUT CAP		
19.	07-010	ITG LOCKWASHER		
20.	06-018	ITG HEX HEAD CAP SCREW		
21.	05-003	ITG OUTPUT OIL SEAL		
22.	11-008	ITG 1-14 FLANGED HEX NUT		
23.	12-003	ITG COTTER PIN		
24.	02-053	ITG OUTPUT SHAFT		
25.	04-010	ITG BEARING CONE		
26.	04-009	ITG BEARING CUP		
27.	03-061	ITG 13 TOOTH GEAR		
28.	04-007	ITG BEARING CONE		
29.	04-008	BEARING CUP		
30.	21-001	ITG RETAINING RING		
31.	09-011	ITG M18 X 1.5P PLUG VENTED		
32.	07-022	ITG SEALING WASHER		

**Gearbox (826-035C) OMNI**

Applies to RC2560, RC2572



14120

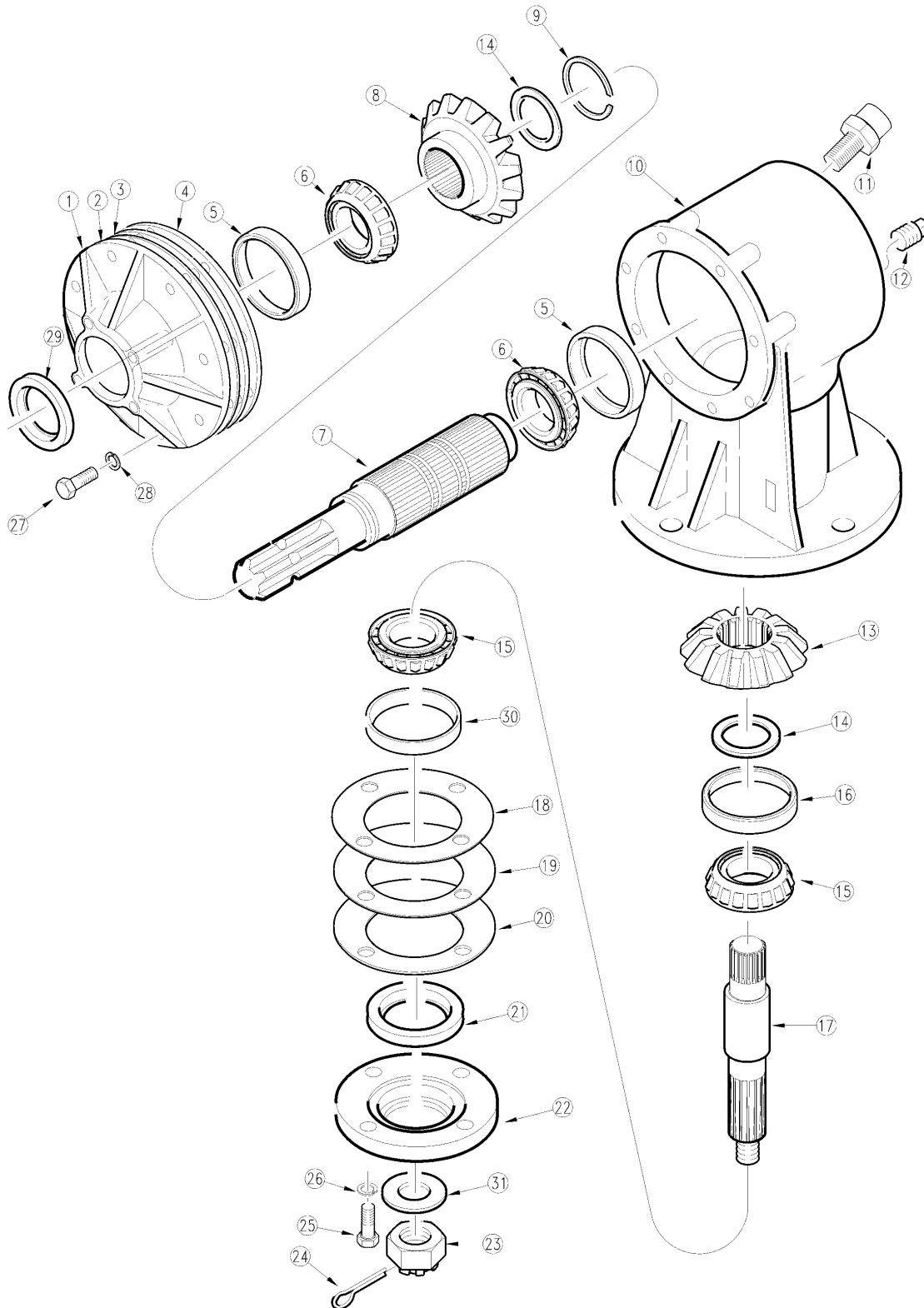


**Gearbox (826-035C) OMNI****Applies to RC2560, RC2572**

Ref	Part No.	Part Description	Comments	Revision
	dwg14120	Drawing Image Number		
	826-035C	GEARBOX RC71SS 1:1.46 INCREASE		
1.	020162	OMNI INPUT CAP		
2.	070142	OMNI GASKET 0.10MMI		
3.	070141	OMNI GASKET 0.15MM		
4.	070140	OMNI GASKET 0.30MM		
5.	050013	OMNI BEARING CUP - LM 603014		
6.	050012	OMNI BEARING CONE -LM603049		
7.	040135	OMNI INPUT SHAFT		
8.	030040	INPUT GEAR - 17 T., OMNI		
9.	200003	OMNI RETAINING RING		
10.	010112	OMNI HOUSING		
11.	140033	OMNI PLUG VENT 1/2"		
12.	140017	OMNI PLUG PIPE SQ HEAD 1/8"		
13.	030041	OUTPUT PINION - 14 T., OMNI		
14.	090073	OMNI SHIM .25		
15.	050008	OMNI BEARING CONE - 368		
16.	050014	BEARING CUP - 362A, OMNI	(S/N 107994+)	Rev. 2 not compat. w/Rev. 1
16.	050015	BEARING CUP - 362, OMNI	(S/N 107993-)	Rev. 1
17.	040112	OUTPUT SHAFT, OMNI		
18.	070145	OMNI GASKET 0.10MM		
19.	070144	OMNI GASKET 0.15MM		
20.	070143	OMNI GASKET 0.30MM		
21.	060004	OMNI OUTPUT SEAL		
22.	020005	OMNI OUTPUT CAP		
23.	090055	SPACER, OMNI		
24.	803-095C	NUT HEX SLOTTED 1-14		
25.	805-017C	PIN COTTER 3/16 X 1 3/4 PLT		
26.	802-091C	HHCS 1/2-13X1 1/2 GR5		
27.	804-015C	WASHER LOCK SPRING 1/2 PLT		
28.	802-079C	HHCS 3/8-16X1 1/4 GR5		
29.	804-013C	WASHER LOCK SPRING 3/8 PLT		
30.	060005	INPUT SEAL, OMNI		
31.	050015	BEARING CUP - 362, OMNI		
32.	804-070C	FLAT WASHER 1 SPECIAL		
33.	090055	SPACER, OMNI		

# Gearbox (826-038C) OMNI

Applies to RC2584



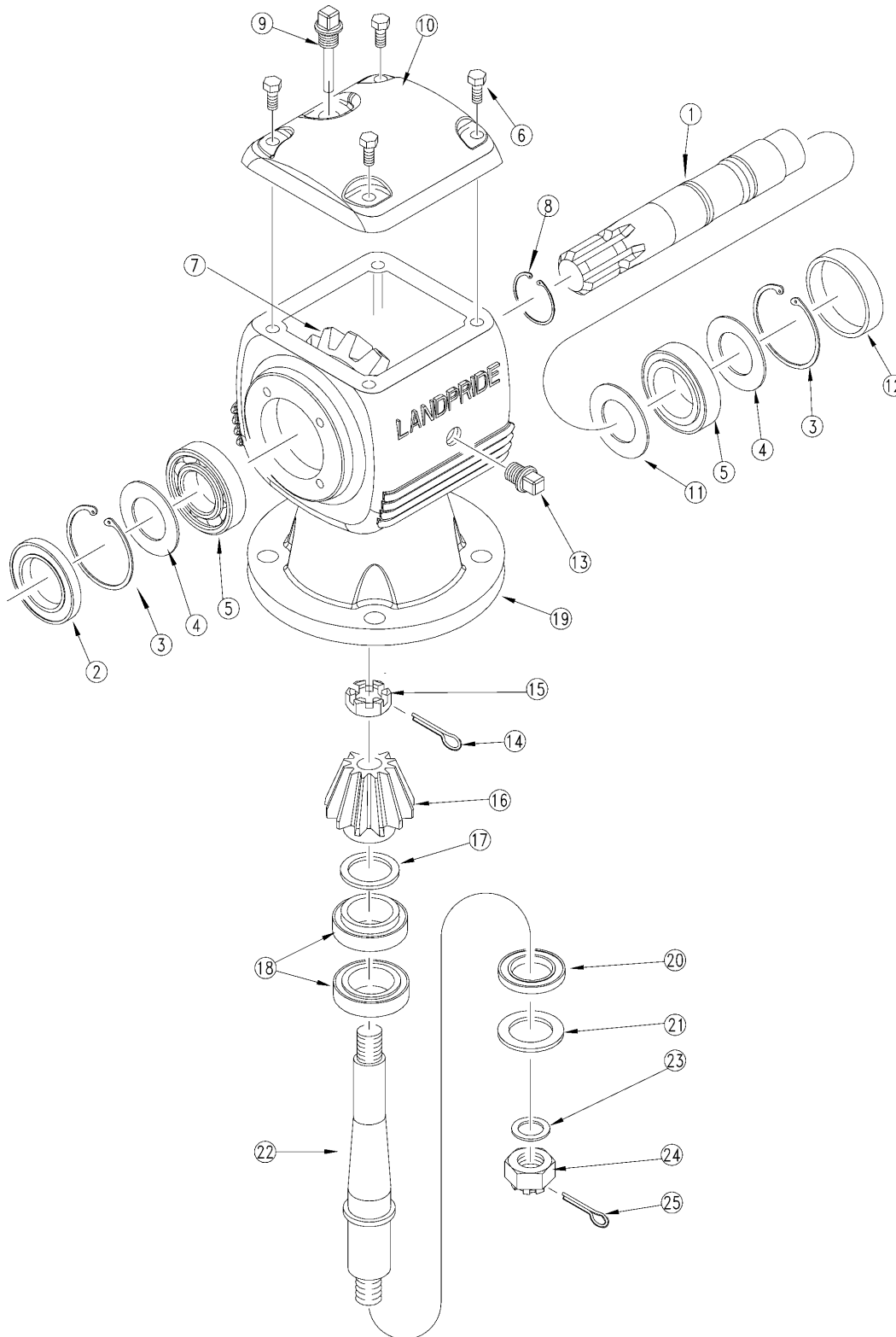
14121

**Gearbox (826-038C) OMNI****Applies to RC2584**

Ref	Part No.	Part Description	Comments	Revision
	dwg14121	Drawing Image Number		
	826-038C	GEARBOX RC71SS 1:1.21 INCREASE		
1.	020162	OMNI INPUT CAP		
2.	070142	OMNI GASKET 0.10MMI		
3.	070141	OMNI GASKET 0.15MM		
4.	070140	OMNI GASKET 0.30MM		
5.	050013	OMNI BEARING CUP - LM 603014		
6.	050012	OMNI BEARING CONE -LM603049		
7.	040135	OMNI INPUT SHAFT		
8.	030039	INPUT GEAR - 19 T., OMNI		
9.	200003	OMNI RETAINING RING		
10.	010112	OMNI HOUSING		
11.	140033	OMNI PLUG VENT 1/2"		
12.	140017	OMNI PLUG PIPE SQ HEAD 1/8"		
13.	030038	OUTPUT PINION - 13 T., OMNI		
14.	090073	OMNI SHIM .25		
15.	050008	OMNI BEARING CONE - 368		
16.	050014	BEARING CUP - 362A, OMNI	(S/N 107994+)	Rev. 2 not compat. w/Rev. 1
16.	050015	BEARING CUP - 362, OMNI	(S/N 107993-)	Rev. 1
17.	040112	OUTPUT SHAFT, OMNI		
18.	070145	OMNI GASKET 0.10MM		
19.	070144	OMNI GASKET 0.15MM		
20.	070143	OMNI GASKET 0.30MM		
21.	060004	OMNI OUTPUT SEAL		
22.	020005	OMNI OUTPUT CAP		
23.	803-095C	NUT HEX SLOTTED 1-14		
24.	805-017C	PIN COTTER 3/16 X 1 3/4 PLT		
25.	802-091C	HHCS 1/2-13X1 1/2 GR5		
26.	804-015C	WASHER LOCK SPRING 1/2 PLT		
27.	802-079C	HHCS 3/8-16X1 1/4 GR5		
28.	804-013C	WASHER LOCK SPRING 3/8 PLT		
29.	060005	INPUT SEAL, OMNI		
30.	050015	BEARING CUP - 362, OMNI		
31.	804-070C	FLAT WASHER 1" SPECIAL		

### Gearbox (826-376C) Comer (Service Only)

Applies to RC2560, RC2572, RC2584



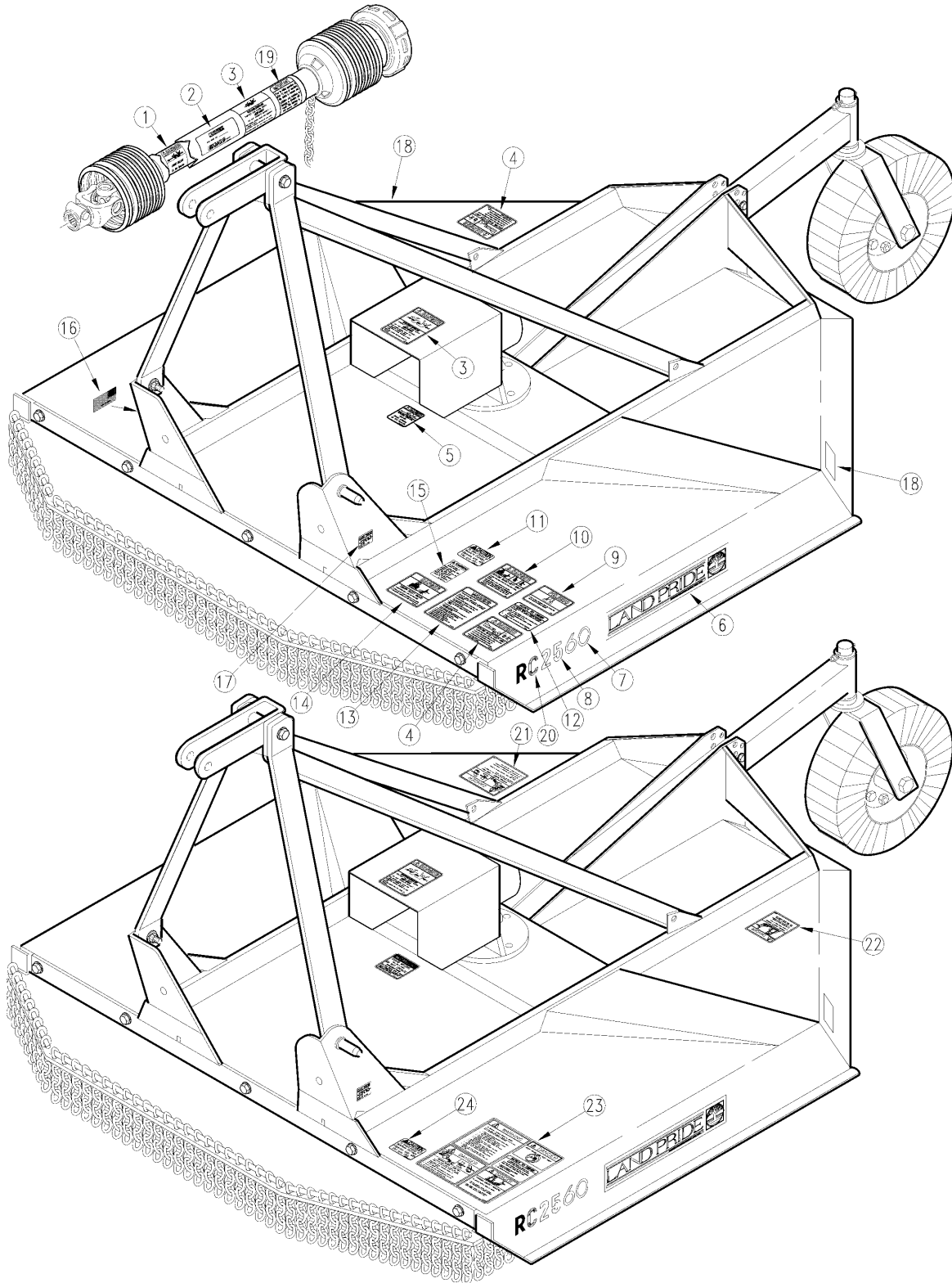
21186

**Gearbox (826-376C) Comer (Service Only)****Applies to RC2560, RC2572, RC2584**

Ref	Part No.	Part Description	Comments	Revision
	dwg21186	Drawing Image Number		
1.	0.210.2000.00	CO INPUT SHAFT 1.38-6		
2.	8.7.3.00331	CO OIL SEAL 45 X 85 X 10		
3.	8.5.2.00332	CO SNAP RING UNI 7437		
4.	0.709.7500.00	CO SHIM 84.7		
5.	8.0.9.00143	CO BEARING 30209 RTA25		
6.	8.1.1.00501	CO BOLT M8X22 HHB		
7.	0.210.6001.00	CO GEAR CROWN Z23 M6		
8.	8.5.1.00533	CO SNAP RING 50 UNI7435		
9.	0.210.7100.00	CO 3/8 GAS OIL VENT LEVEL PG.		
10.	0.210.1300.00	CO COVER		
11.	0.252.7525.00	CO SHIM 45.3X2.5		
12.	0.121.7101.00	CO CAP		
13.	8.6.6.00201	CO PLUG 3/8 GAS		
14.	8.4.7.02265	CO COTTER PIN B 5X60		
15.	0.132.7106.00	CO NUT M30 X 1.5		
16.	0.210.5001.00	CO PINION Z16 M6		
17.	0.712.7500.00	CO SHIM 50.3X70.3		
18.	04-011	ITG BEARING ASSEMBLY		
19.	0.210.0300.00	CO CASTING & MACHINE		
20.	8.7.1.01107	CO SEAL (50x90x10)		
21.	0.139.7100.00	CO SEAL RETAINER		
22.	0.210.3001.00	CO OUTPUT SHAFT		
23.	0.139.7101.00	CO BLANK WASHER		
24.	8.2.2.00555	CO NUT, CASTLE M30 X 2		
25.	8.4.7.00146	CO COTTER PIN B6 X 6		

### Label Placement

Applies to RC2560, RC2572, RC2584



10437

## Label Placement

### Applies to RC2560, RC2572, RC2584

Ref	Part No.	Part Description	Comments	Revision
	dwg10437	Drawing Image Number		
	312-074A	RC25/35 SAFETY DECAL PACKAGE	Includes all 25 series safety decals	
	312-133A	RC2560 DECAL PACKAGE	Includes all 2560 decals	
	312-134A	RC2572 DECAL PACKAGE	Includes all 2572 decals	
	312-135A	RC2584 DECAL PACKAGE	Includes all 2584 decals	
1.	818-540C	DECAL DANGER GUARD MISS PTO		
2.	818-206C	DECAL-PTO RC2560,3560 & 35120		
2.	818-195C	DECAL PTO RC25&3572		
2.	818-192C	DECAL PTO 826-072C		
3.	818-552C	DECAL DANGER PTO DRIVELINE		
4.	818-555C	DECAL DANGER ROTATE BLADE	Replaced by item #21 part # 818-564C only on the right rear of deck	
5.	818-187C	DECAL DANGER DRIVELINE SHIELD		
6.	818-162C	LP LOGO LARGE GREEN		
7.	818-090C	DECAL 60 LP - BLACK		
7.	818-092C	DECAL 72 LP - BLACK		
7.	818-094C	DECAL 84 LP - BLACK		
8.	818-085C	DECAL 25 SERIES LP - BLACK		
9.	818-557C	DECAL DANGER CANNOT READ ENG		
10.	818-564C	DECAL RC OSHA AG CHAIN GUARD		
11.	818-130C	DECAL CAUTION 540 RPM		
12.	818-560C	DECAL NOTICE TO OWNER-NO WARRA		
13.	818-554C	DECAL WARNING GEN SAFE CUTTER		
14.	818-556C	DECAL DANGER THROWN OBJ CUTTER		
15.	818-161C	DECAL CAUTION GENERAL RC SAFE		
16.	818-190C	DECAL FLAG		
17.	819-036C	I.D. PLATE - LAND PRIDE (NOT REPLACEABLE)		
18.	818-230C	DECAL RED REFLECTOR		
19.	818-680C	DECAL IMPORTANT - SLIP CLUTCH	(S/N 211783+)	
20.	818-741C	DECAL RC LAND PRIDE BLACK		
21.	818-564C	DECAL DANGER ROTATING BLADES		
22.	818-556C	DECAL DANGER THROWN OBJ CUTTER		
23.	818-830C	DECAL SAFETY COMBO SUNWEST		
24.	818-130C	DECAL CAUTION 540 RPM		



# Part Number Index

The Part Number Index is a numeric index of all part numbers included in this manual. The index shows what page(s) the part is used on.

Part Number	Page	Part Number	Page	Part Number	Page	Part Number	Page
0.121.7101.00	71, 165	030038	69, 77, 163	060003	125, 129	1004020	101, 105, 109, 113
0.131.5000.00	133	030039	69, 77, 163	060004	67, 69, 73, 77, 79, 161, 163	1004225	101, 105, 109, 113
0.132.7106.00	71, 165	030040	67, 73, 161	060005	67, 69, 73, 77, 79, 161, 163	1006038	101, 105
0.135.5000.00	131	030041	67, 73, 161	060060	125, 129	1006065	109, 113
0.135.6008.00	131	04-003	123, 127	060061	125, 129	1014012	101, 105, 109, 113
0.135.6201.00	133	04-004	123, 127	07-001	75, 159	1024010	101, 105, 109, 113
0.135.7105.00	131, 133	04-007	75, 159	07-010	75, 159	1074033	101, 105
0.139.7100.00	71, 165	04-008	75, 159	07-022	75, 159	11-008	75, 159
0.139.7101.00	71, 165	04-009	75, 159	070001	125, 129	1135007	117
0.209.0300.00	131, 133	04-010	75, 159	070002	125, 129	1135008	117
0.209.1300.00	131, 133	04-011	71, 165	070131	125, 129	12-003	75, 159
0.209.2000.00	131, 133	040034	67, 69	070132	125, 129	1215012	117
0.209.7100.00	131, 133	040040	125, 129	070133	125, 129	122-076D	137, 139
0.209.7101.00	131, 133	040112	73, 77, 161, 163	070134	125, 129	128271	83
0.210.0300.00	71, 165	040115	79	070135	125, 129	129110	83
0.210.1300.00	71, 165	040135	73, 77, 161, 163	070136	125, 129	1344014	109, 113, 117
0.210.2000.00	71, 165	040146	67, 69	070140	67, 69, 73, 77, 79, 161, 163	134952	83
0.210.3001.00	71, 165	040147	79	070141	67, 69, 73, 77, 79, 161, 163	134953	83
0.210.5001.00	71, 165	041315	103, 107, 111, 115	070142	67, 69, 73, 77, 79, 161, 163	140000	67, 69, 79, 125, 129
0.210.6001.00	71, 165	041318	103, 107, 111, 115	070143	67, 69, 73, 77, 161, 163	140017	67, 69, 73, 77, 125, 129, 161, 163
0.210.7100.00	71, 165	041368	119	070144	67, 69, 73, 77, 161, 163	140033	73, 77, 79, 125, 129, 161, 163
0.252.7525.00	71, 165	041378	103, 107, 111, 115	070145	67, 69, 73, 77, 161, 163	148390	83
0.267.7500.00	131, 133	042454	61, 63, 65, 157	070146	79	1524062	101, 109
0.709.7500.00	71, 165	042459	61, 63, 65, 157	070147	79	1524082	105, 113
0.712.7500.00	71, 165	043487	61, 63, 119, 121, 157	070148	79	1525062	101, 109
001S1	95	043489	61, 63, 119, 121, 157	08-001	75, 159	1525082	105, 113
010001	125, 129	044321	41, 43, 45, 47, 49, 53, 55, 57, 59, 101, 103, 105, 107, 111, 115, 151, 153, 155	08-002	75, 159	1534062	101
010006	67, 69	044444	103, 107, 111, 115	08-003	75, 159	1534082	105
010059	73, 77	045790	61, 63, 65, 157	08-004A	123, 127	1544062	101
010061	79	045791	63	08-004B	123, 127	1544082	105
010101	79	045793	61, 63, 65, 157	08-005A	123, 127	1581038	101, 105, 109, 113
010112	73, 77, 161, 163	047825	61, 63, 65, 157	08-005B	123, 127	168556	61, 63, 65, 119, 121, 157
010160	73, 77	049647	107, 115	08-006	75, 159	17-001	75, 159
010490	47, 49	049665	107, 115	08-007	75, 159	17-002	75, 159
019516	53	05-002	123, 127	08-008	159	17-003	75, 159
019518	41, 43, 45, 53, 55, 151, 153, 155	05-003	75, 159	081058	41, 151	17-004	123, 127
019519	41, 43, 45, 47, 49, 53, 55, 57, 59, 151, 153, 155	05-005	123, 127	081760	45, 53, 55, 155	1704014	117
02-010	123, 127	05-006	75, 159	081763	45, 53, 55, 155	1704015	117
02-053	75, 159	050-014	75, 159	082915	43, 153	1704027	101, 105, 109, 113
02-054	75, 159	050006	125, 129	082916	43, 153	1704029	101, 105, 109, 113
020002	125, 129	050007	123, 125, 127, 129	087276	41, 43, 45, 47, 49, 53, 55, 57, 59, 151, 153, 155	1704033	101, 105
020003	125, 129	050008	67, 69, 73, 77, 79, 161, 163	087279	103, 107, 111, 115	1705009	117
020005	67, 69, 73, 77, 161, 163	050012	67, 69, 73, 77, 79, 161, 163	088193	65	172758	47, 49
020006	67, 69, 73, 77, 79	050013	67, 69, 73, 77, 79, 161, 163	09-002	127	1774060	101
020007	79	050014	67, 69, 73, 77, 79, 161, 163	09-005	123, 127	1774075	105
020161	125, 129	050015	67, 69, 73, 77, 79, 161, 163	09-008	123	1783016	101, 105
020162	73, 77, 79, 161, 163	050186	103, 111	09-011	75, 159	1784060	101
020172	79	050191	103, 111	090000	125, 129	1784210	101, 105, 109, 113
020469	47, 49	051554	61, 63, 65, 157	090003	69	1784211	101, 105, 109, 113
020614	103, 107, 111, 115	056699	41, 43, 45, 55, 151, 153, 155	090015	67, 73, 79	1784212	101, 105, 109, 113
020617	41, 43, 45, 47, 49, 53, 55, 57, 59, 151, 153, 155	06-017	75, 159	090055	77, 161	18-010	123, 127
020672	47, 49	06-018	75, 159	090056	79	18-027	75, 159
020692	61, 63, 65, 157	060002	125, 129	090073	73, 77, 79, 161, 163	1805010	117
03-001	123, 127			095758	49	185836	121
03-002	123, 127			1.135.7100.00	131, 133	1872054	101, 109
03-060	75, 159			10-002	123, 127		
03-061	75, 159			10-027	75, 159		
030002	125						
030003	125						
030033	79						
030036	129						
030037	129						



## Table of Contents    Part Number Index



# Part Number Index (continued)

Part Number	Page	Part Number	Page	Part Number	Page	Part Number	Page
1872074	105, 113	312-050A	135	312-124D	21, 35, 145	312-289D	29
1873054	101, 109	312-051A	135	312-125H	137	312-293D	29
1873074	105, 113	312-052K	95	312-126S	137	312-294D	29
1883013	101, 105	312-053K	95	312-127K	145	312-306D	97
1883230	101, 105	312-054K	95	312-129D	13, 141, 143	312-307D	97
1883231	101, 105	312-056H	13	312-131D	37, 149	312-308D	97
1884075	105	312-061H	13, 137, 139, 141, 143	312-131K	21, 145	312-309D	97
1884201	101, 105, 109, 113	312-062D	97, 99	312-132D	37, 149	312-310D	97
1884202	101, 105, 109, 113	312-062H	9, 11, 147	312-132H	145	312-311D	97
1884203	101, 105, 109, 113	312-063D	99	312-133A	167	312-312D	97
1884204	109, 113	312-063H	13	312-133D	37, 149	312-313D	21, 27
19-33302	51	312-064D	99	312-134A	167	312-342H	25
1A1141	81	312-065D	99	312-135A	167	312-362H	29
1D0009-1050	81	312-066D	99	312-136D	9, 11, 147	312-459D	15, 137, 139
1D0205-1262	81	312-066S	13	312-137H	21, 27	312-554D	19, 23
1D1003-5	81	312-067D	99	312-140H	15	312410	41, 43, 45, 47, 49, 53, 55, 57, 59, 151, 153, 155
1D1159-4	81	312-067K	35	312-141H	15	317806	103, 107
1D1401-350	81	312-068D	99	312-142H	15	320527	61, 63, 65, 157
1D1509-4	81	312-068S	21, 35, 145	312-143H	15	320684	47, 49
1D1551-16275	81	312-069D	99	312-144H	15	321166	41, 43, 45, 55, 59, 61, 63, 151, 153, 155, 157
1M6010	85	312-069H	13, 19, 137, 139, 141, 143	312-147D	21, 145	321245	47
20-003	123, 127	312-070A	37, 149	312-147H	29	329219	53, 57, 65
20-007	123, 127	312-071A	9, 11, 147	312-149H	29	338531	61, 65, 157
20-025	75, 159	312-073A	95	312-150H	29	339107	41, 43, 45, 53, 55, 103, 107, 111, 115, 151, 153, 155
20-026	75, 159	312-074A	167	312-152K	27	341586	49
200-001D	27	312-075D	91	312-155H	29	341953	61, 63, 65, 157
200000	125, 129	312-075H	13	312-160H	13	342221	47, 49
200001	125, 129	312-077D	91	312-161H	35	355155	47, 49, 57, 59
200001	125, 129	312-077H	21, 145	312-164D	13, 137, 143	365305	41, 43, 45, 47, 49, 53, 55, 57, 59, 103, 107, 111, 115, 151, 153, 155
200003	67, 69, 73, 77, 79, 161, 163	312-078D	91	312-164S	13	365722	47, 49
200040	125, 129	312-078D	91	312-165K	35	377235	103, 107, 111, 115
21-001	75, 159	312-079A	31, 33	312-167A	97	377336	41, 43, 45, 47, 49, 53, 55, 151, 153, 155
21-012	123, 127	312-079D	91	312-168A	97	377436	41, 43, 45, 53, 55, 57, 59, 151, 153, 155
21-10405	51	312-080D	91	312-168D	37, 149	380371	47, 49
2A0006	85	312-082A	37, 149	312-169A	97	380882	49
2A0012	85	312-082D	91	312-169D	37, 39, 97, 149	380883	47
2A0016	85	312-084L	35	312-170D	37, 39, 149	381495	61, 63, 65, 119, 121, 157
2A0024	85	312-085D	91	312-172H	143	381908	47, 49
2A0079-616	81	312-085S	13	312-175D	31, 33	381957	61, 63, 65, 119, 121, 157
2A0132	85	312-086D	91	312-177D	37, 39, 149	382437	49
2A0208	85	312-086E	15, 137, 139	312-178D	13, 19	382647	49
2A0235-6	81	312-087H	21	312-180D	13, 137, 139, 141, 143	383084	47
2A0236-9	81	312-088H	15	312-184H	139	383128	49
2A0308-1	81	312-089D	91	312-189H	25	383172	111, 119
2A0581-1325	81	312-090A	95	312-190H	25	383174	119, 121
2M5414	85	312-091A	39	312-191S	19, 23	383333	41, 43, 45, 47, 49, 53, 55, 57, 59
304149	61, 63, 65, 157	312-095A	19, 23	312-206D	39	383334	41, 43, 45, 47, 49, 53, 55, 57, 59
312-004S	91	312-097S	15	312-208D	39	383666	41, 151
312-005E	91	312-098S	15	312-211D	19	383667	41, 151
312-006H	95	312-100H	35	312-212D	21, 27	384064	47
312-008S	95	312-101H	35	312-216H	27	384187	103, 111
312-012S	91	312-102H	35	312-221D	19		
312-017S	91	312-104K	35	312-222D	23		
312-020D	95	312-105K	35	312-223D	19, 23		
312-021D	95	312-106D	21, 27, 35, 145	312-224D	19, 23		
312-029H	91	312-108H	141, 143	312-231D	35		
312-030H	91	312-109H	145	312-240H	91		
312-031H	91	312-110H	141	312-255D	13, 137, 139		
312-032H	95	312-111L	21, 145	312-257D	37, 149		
312-033H	95	312-112S	141, 143	312-258D	37, 149		
312-034H	95	312-113K	145	312-260D	21, 27		
312-035A	99	312-115D	137, 139, 141, 143	312-264D	21, 27		
312-036A	99	312-117H	137	312-266D	15		
312-037A	99	312-118D	13, 141	312-273D	15		
312-042D	91	312-118S	137, 139	312-276H	137, 139		
312-047H	91	312-119K	145	312-281D	29		
312-048A	135	312-123D	21, 35, 145	312-282D	29		
312-049A	135	312-123H	145	312-287D	29		
		312-124A	37, 149	312-288D	29		



# Part Number Index (continued)

Part Number	Page	Part Number	Page	Part Number	Page	Part Number	Page
384188	103, 111	802-050C	15	803-038C	13, 19, 23, 29,	805-088C	13, 19, 137, 139,
384264	115, 121	802-051C	91		137, 139, 141,		141, 143
384267	121	802-053C	21, 27		143	805-090C	13, 19, 137, 139,
386083	47, 49	802-055C	91	803-078C	99		141, 143
387066	107, 115	802-064C	13, 137, 139,	803-079C	73	805-100C	23
387067	107, 115		141, 143	803-082C	29	805-111C	91
387294	43, 153	802-068C	13, 15, 137, 139,	803-088C	19	805-136C	37, 39, 97, 149
387295	43, 153		141, 143	803-095C	13, 15, 67, 69,	805-142C	91, 137, 139
387635	45, 53, 55, 155	802-069C	35		77, 91, 123, 125,	805-143C	91, 137, 139
387636	45, 53, 55, 155	802-074C	13, 19, 137, 139,		127, 129, 137,	805-148C	95
387949	57, 59		141, 143		139, 141, 143,	805-150C	137, 139, 141,
387952	57, 59	802-075C	29		161, 163		143
388434	47	802-079C	15, 67, 69, 73,	803-147C	21, 27	805-151C	13, 19
3M5408	85		77, 79, 99, 161,	803-148C	91	805-163C	137, 139
491798	83		163	803-162C	13, 19	805-255C	21, 35, 145
492338	83	802-091C	29, 37, 39, 67,	803-170C	13, 15, 91, 137,	807-023C	29
492528	83		69, 73, 77, 79,		139, 141, 143	810-146C	81
492652	83		149, 161, 163	803-200C	21, 27	810-149C	85
492676	83	802-104C	27	803-289C	21, 35, 145	810-162C	19, 23, 81, 83, 85
492677	83	802-110C	19, 23	804-004C	15	81013-1053	51
492700	83	802-114C	15	804-009C	15, 92, 137, 139	811-215C	19, 23
498006	83	802-115C	21, 27	804-010C	16, 92, 137, 139	811-280C	19, 23
4M5102	85	802-116C	15	804-011C	29	812-129C	29
5M5116	85	802-128C	15	804-012C	13, 31, 33, 91,	814-058C	21, 95, 145
6330865	101, 105, 109,	802-130C	29		99, 137, 139,	814-059C	27, 35
	113	802-131C	15		141, 143	814-065C	95
6691080	117	802-152C	15, 23	804-013C	13, 15, 29, 67,	814-066C	27
6M5142	85	802-159C	15		69, 73, 77, 79,	814-161C	21, 145
7M5316	85	802-167C	19		91, 123, 125,	814-162C	21, 145
8.0.9.00143	71, 165	802-184C	9, 11, 147		127, 129, 137,	815-092C	21, 35, 145
8.1.1.00501	71, 131, 133, 165	802-192C	29, 35, 145		139, 141, 143,	815-093C	21, 27, 35, 145
8.2.2.00515	131, 133	802-215C	29		161, 163	816-008C	15
8.2.2.00555	71, 165	802-228C	91	804-015C	15, 19, 21, 25,	816-009C	21, 35, 145
8.3.2.00409	131, 133	802-240C	21, 27, 35, 145		27, 29, 35, 67,	816-075C	99
8.4.1.00993	131, 133	802-242C	91		69, 73, 77, 79,	816-076C	99
8.4.7.00146	71, 165	802-249C	25		95, 145, 161, 163	816-077C	99
8.4.7.00516	131, 133	802-262C	95	804-016C	21, 27, 29, 35,	816-078C	99
8.4.7.02265	71, 165	802-263C	91		37, 39, 97, 145,	816-079C	99
8.5.1.00533	71, 165	802-264C	91, 101, 105		149	816-080C	99
8.5.1.00680	131, 133	802-265C	91, 109, 113	804-022C	15, 21, 27, 91, 95	816-090C	21, 27
8.5.2.00030	131, 133	802-272C	35	804-023C	9, 11, 13, 15, 29,	816-098C	27
8.5.2.00131	131, 133	802-277C	13, 15, 91, 137,		35, 137, 139,	816-286C	35, 145
8.5.2.00332	71, 165		139, 141, 143		141, 143, 147	817-050C	13, 15, 29, 91,
8.5.3.00955	131, 133	802-280C	21, 145	804-028C	19, 23, 29		137, 139, 141,
8.6.6.00201	71, 131, 133, 165	802-287C	19		27		143
8.7.0.00744	131, 133	802-289C	21, 27	804-055C	27	817-057C	9, 11, 147
8.7.1.00748	131, 133	802-293C	23	804-066C	95	818-084C	135
8.7.1.01107	71, 165	802-293C	23	804-067C	13, 15, 19, 91,	818-085C	167
8.7.3.00055	131, 133	802-379C	21, 27		137, 139, 141,	818-086C	87, 89
8.7.3.00331	71, 165	803-001C	15		143	818-087C	135
800-001C	21, 27, 35, 51,	803-007C	15, 23	804-070C	13, 15, 67, 69,	818-090C	87, 135, 167
	145	803-011C	15, 21, 27		73, 77, 91, 123,	818-092C	87, 135, 167
800-079C	91	803-013C	31, 33		125, 127, 129,	818-094C	87, 167
800-080C	13, 19, 21, 35,	803-014C	29		137, 139, 141,	818-130C	87, 89, 135, 167
	95, 137, 139,	803-020C	19, 25, 29, 91,		143, 161, 163	818-161C	87, 89, 135, 167
	141, 143, 145		95, 101, 105,	804-071C	21, 145	818-162C	87, 89, 135, 167
800-083C	13, 141, 143		109, 113	804-074C	35	818-172C	135
800-086C	15, 137, 139	803-021C	21, 27, 91, 95	804-147C	13, 15, 91, 137,	818-173C	135
801-003C	15	803-022C	91		139, 141	818-174C	135
802-007C	92	803-025C	13, 15, 137, 139,	805-010C	13, 15, 91, 137,	818-175C	135
802-010C	137, 139		143		139, 141, 143	818-187C	87, 89, 135, 167
802-014C	29	803-026C	21, 145	805-012C	29	818-190C	87, 89, 135, 167
802-017C	13, 29, 123, 125,	803-027C	9, 11, 13, 29, 35,	805-016C	27	818-192C	87, 167
	127, 129, 141,		137, 139, 141,	805-017C	13, 15, 67, 69,	818-195C	87, 167
	143		143, 147		73, 77, 91, 123,	818-206C	87, 89, 167
802-020C	31, 33	803-029C	27		125, 127, 129,	818-224C	89
802-022C	13, 91, 137, 139,	803-030C	29		137, 139, 141,	818-225C	89
	141, 143	803-036C	91, 101, 105,	805-043C	21, 35, 145	818-226C	89
			109, 113	805-069C	13, 15, 91, 137,	818-227C	89
802-032C	19	803-037C	37, 39, 97, 99,		139, 141, 143	818-229C	89
802-034C	95, 97, 99		149			818-230C	87, 89, 135, 167
802-041C	95						



## Part Number Index (continued)

Part Number	Page	Part Number	Page
818-240C	89	890-118C	29
818-251C	89	890-175C	37, 39, 97, 149
818-488C	89	890-177C	19
818-540C	87, 89, 101, 103, 105, 107, 109, 111, 113, 115, 135, 151, 153, 155, 167	890-182C	29
818-552C	87, 89, 101, 103, 105, 107, 109, 111, 113, 115, 135, 151, 153, 155, 167	890-245C	29
818-554C	87, 89, 135, 167	890-341C	37, 39, 149
818-555C	87, 89, 135, 167	890-583C	21, 145
818-556C	87, 89, 135, 167	98-15800	51
818-557C	87, 89, 135, 167	A.248.500	131, 133
818-560C	87, 89, 135, 167	A244.501	131, 133
818-564C	87, 89, 135, 167	dwg10235	99
818-680C	87, 89, 135, 167	dwg10365	65
818-681C	21, 35, 95, 145	dwg10418	91
818-741C	87, 89, 135, 167	dwg10422	119, 121
818-830C	87, 89, 135, 167	dwg10423	97
818-901C	135	dwg10425	95
818-923C	135	dwg10428	137
819-036C	87, 89, 167	dwg10429	139
820-065C	13, 91	dwg10430	141
820-066C	13, 91, 137, 139, 141, 143	dwg10431	143
820-067C	13, 91, 137	dwg10432	145
820-075C	15	dwg10434	149
820-076C	15	dwg10437	167
820-127C	15	dwg10442	19
820-128C	15	dwg10443	21
822-091C	21, 27, 35, 145	dwg10445	27
822-092C	21, 27, 35, 145	dwg10446	9, 147
822-094C	29	dwg10447	39
822-166C	123, 125, 127, 129, 131	dwg10448	31
822-188C	123, 125, 127, 129, 131, 133	dwg10451	57, 59
826-017C	127	dwg10452	47, 49
826-018C	91, 123, 125	dwg10453	51
826-019C	92, 101, 103	dwg10459	13
826-020C	92, 105, 107	dwg10460	35
826-021C	92, 109, 111	dwg10463	87
826-022C	92, 113, 115	dwg10819	111
826-026C	91, 127, 129	dwg10848	25
826-027C	13, 41, 141, 143, 151	dwg10853	33
826-033C	13, 43, 137, 139, 153	dwg10854	41, 45, 53, 55, 151, 153, 155
826-035C	15, 75, 77, 137, 139, 159, 161	dwg10855	61, 63, 157
826-036C	13, 67	dwg11098	23
826-037C	13, 69	dwg11421	81, 83, 85
826-038C	141, 143, 163	dwg11495	103
826-040C	15, 79	dwg12033	29
826-042C	13, 19, 45, 55, 137, 155	dwg13190	15
826-052C	29, 59	dwg14120	161
826-053C	29, 49	dwg14121	163
826-054C	15, 51	dwg14122	79
826-060C	15, 73	dwg14151	123
826-061C	19, 53	dwg14152	125, 129
826-062C	29, 57	dwg14173	67, 69
826-063C	29, 47	dwg14179	89
826-240C	92	dwg14793	37
827-010C	137, 139	dwg14821	11
827-036C	21, 35, 145	dwg15090	75, 159
890-016C	15	dwg15203	117
		dwg15206	127
		dwg15739	73
		dwg15740	77
		dwg17557	135
		dwg21186	71, 165
		dwg21448	131
		dwg21449	133
		dwg22284	101
		dwg22285	109
		e810-256C	83



Great Plains Manufacturing, Inc.

Corporate Office: P.O. Box 5060  
Salina, Kansas 67402-5060 USA

[www.landpride.com](http://www.landpride.com)

## Free Manuals Download Website

<http://myh66.com>

<http://usermanuals.us>

<http://www.somanuals.com>

<http://www.4manuals.cc>

<http://www.manual-lib.com>

<http://www.404manual.com>

<http://www.luxmanual.com>

<http://aubethermostatmanual.com>

Golf course search by state

<http://golfingnear.com>

Email search by domain

<http://emailbydomain.com>

Auto manuals search

<http://auto.somanuals.com>

TV manuals search

<http://tv.somanuals.com>