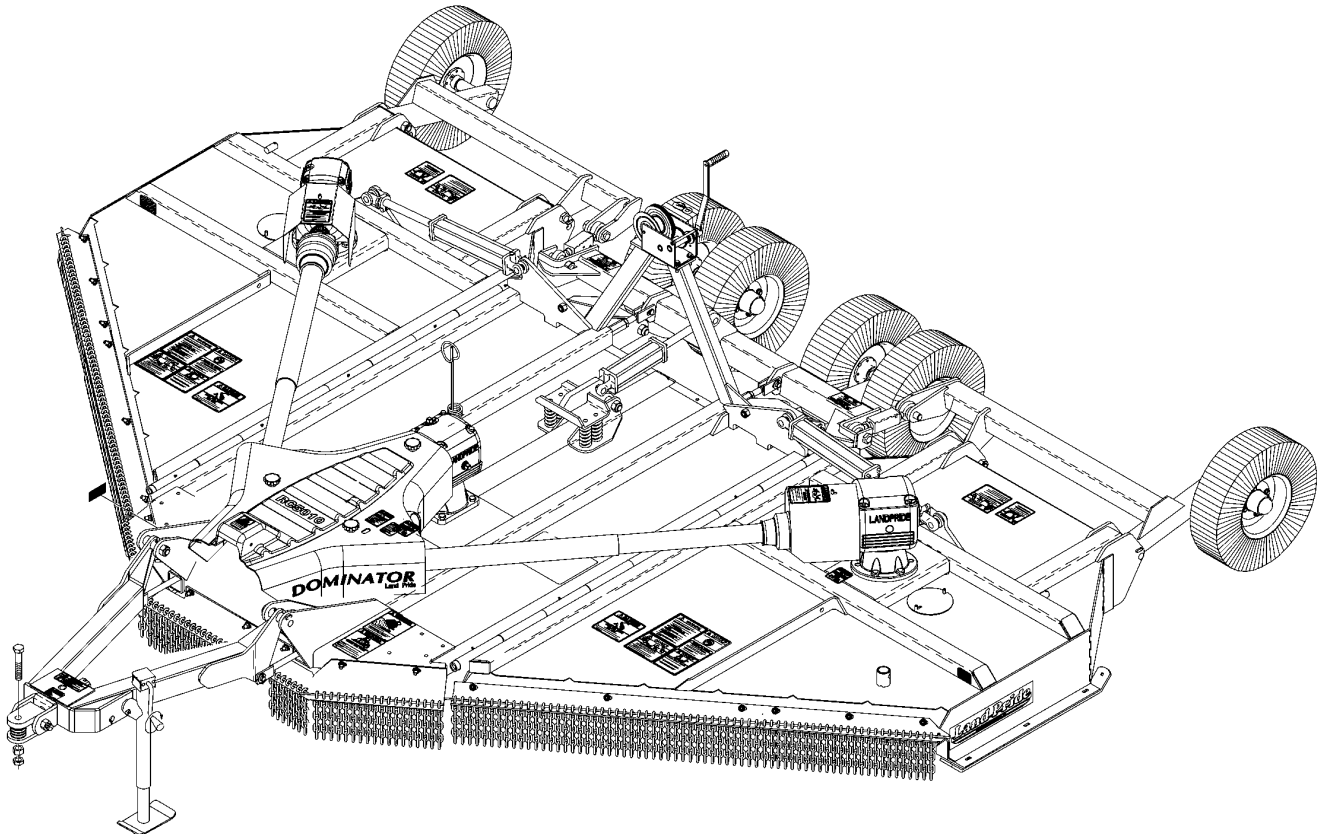


Rotary Cutters

RCB6010, RCBM6010, RCB6015 & RCBM6015



18198

318-263P Parts Manual



Read the Operator's manual entirely. When you see this symbol, the subsequent instructions and warnings are serious - follow without exception. Your life and the lives of others depend on it!

© Copyright 2008 Printed 04/01/08

Cover photo may show optional equipment not supplied with standard unit.





Table of Contents

Section 1: Introduction.....6
 Using This Manual.....6
 Manual Replacement Information.....6
 Manual Revisions.....6
 Touch-up Paint.....6
 Hardware Legend.....7
 Replacement Hardware.....7
 Serial Numbers.....7
 Part Number Service Coding.....7

RCB6010 & RCB6015 SERIES (540 RPM)

Section 2: Decks.....8
 Blade Carrier.....8
 Deck Center Section (540 RPM).....10
 Deck Wing Section (540 RPM).....14
 Hitch.....16
 Weight Box.....20
 Wing Turnbuckle and Transport Bar.....22

Section 3: Axles.....24
 Axle Center Deck (S/N 489025-).....24
 Axle Center Deck (S/N 489026+).....26
 Axle Tandem Center Deck (S/N 419602 to 489025).....28
 Axle Tandem Center Deck (S/N 489026+).....30
 Axle Wing Deck (S/N 489025-).....32
 Axle Wing Deck (S/N 489026+).....34

Section 4: Guards.....36
 Guards Center Deck.....36
 Guards Wing Deck.....38

Section 5: Drivelines.....40
 Driveline Center (826-260C) Walterscheid.....40
 Driveline Center (826-478C) Comer (S/N 461935 to 461937, 468573+).....42
 Driveline Center 540 RPM (826-183C) Eurocardan.....44
 Driveline CV (826-117C) Walterscheid.....46
 Driveline CV 540 RPM (826-476C) Comer (S/N 468558 to _____).....48
 Driveline Slip Clutch (146.264.024.1) Comer.....50
 Driveline Slip Clutch (146.284.020.1) Comer.....52
 Driveline Slip Clutch (383805) Walterscheid.....54
 Driveline Slip Clutch (391708) Walterscheid.....56
 Driveline Slip Clutch 540/1000 RPM (1446016) EC.....58
 Driveline Wing (826-185C) EC New Shielding.....60
 Driveline Wing (826-262C) Walterscheid.....62
 Driveline Wing (826-481C) Comer (S/N 461935 to 461937, 468573+).....64

Section 6: Gearboxes.....66
 Gearbox (826-231C) OMNI.....66

Gearbox (826-232C) OMNI.....68
 Gearbox 540 RPM (826-320C) Comer.....70
 Gearbox 540 RPM (826-321C) Comer.....72
 Gearbox Divider (826-179C) Comer.....74
 Gearbox Divider (826-179C) OMNI.....76

Section 7: Hydraulics.....78

Hydraulic Center Lift.....78
 Hydraulic Cylinder (810-162C) Red Lion.....80
 Hydraulic Cylinder (810-312C) Red Lion.....82
 Hydraulic Cylinder Center Lift (810-162C) Cross.....84
 Hydraulic Cylinder Center Lift (810-162C) Midway.....86
 Hydraulic Cylinder Wing (810-312C) Cross.....88
 Hydraulic Cylinder Wing (810-312C) Midway.....90
 Hydraulic Wing Lift.....92

Section 8: Labels.....94

Label Placement.....94
 Label Placement.....96

Section 9: Options.....98

Baffle Option (318-402A).....98

RCBM6010 & RCBM6015 SERIES (1000 RPM)

Section 2: Decks.....100
 Blade Carrier.....100
 Deck Center Section (1000 RPM) RCBM Series.....102
 Deck Wing Section (1000 RPM).....106
 Hitch.....108
 Weight Box.....112
 Wing Turnbuckle and Transport Bar.....114

Section 3: Axles.....116
 Axle Center Deck (S/N 489025-).....116
 Axle Center Deck (S/N 489026+).....118
 Axle Tandem Center Deck (S/N 419602 to 489025).....120
 Axle Tandem Center Deck (S/N 489026+).....122
 Axle Wing Deck (S/N 489025-).....124
 Axle Wing Deck (S/N 489026+).....126

Section 4: Guards.....128
 Guards Center Deck.....128
 Guards Wing Deck.....130

Section 5: Drivelines.....132
 Driveline Center (826-478C) Comer (S/N 461935 to 461937, 468573+).....132
 Driveline Center 1000 RPM (826-184C) Eurocardan.....134
 Driveline Center 1000 RPM (826-261C) Walterscheid.....136
 Driveline CV 1000 RPM (826-244C) Walterscheid (S/N 468225-).....138
 Driveline CV 1000 RPM (826-245C) 1 3/4-20 Walterscheid (S/N 488896-).....140

© Copyright 2008. All rights reserved.

Land Pride provides this publication "as is" without warranty of any kind, either expressed or implied. While every precaution has been taken in the preparation of this manual, Land Pride assumes no responsibility for errors or omissions. Neither is any liability assumed for damages resulting from the use of the information contained herein. Land Pride reserves the right to revise and improve its products as it sees fit. This publication describes the state of this product at the time of its publication, and may not reflect the product in the future. The illustrations in this manual are not intended for safe and proper assembly or disassembly of equipment. The illustrations are intended for ordering parts only.

Land Pride is registered trademark.

All other brands and product names are trademarks or registered trademarks of their respective holders.

Printed in the United States of America.



Table of Contents (continued)

Driveline CV 1000 RPM (826-477C) 1 3/8-21 Comer (S/N 468226 to _____).....	142
Driveline CV 1000 RPM (826-499C) 1 3/4-20 Comer (S/N 488897+).....	144
Driveline Slip Clutch (146.264.024.1) Comer.....	146
Driveline Slip Clutch (146.284.020.1) Comer.....	148
Driveline Slip Clutch (383805) Walterscheid.....	150
Driveline Slip Clutch 1000 RPM (1406016) Eurocardan.....	152
Driveline Slip Clutch 540/1000 RPM (1446016) EC....	154
Driveline Wing (826-185C) EC New Shielding.....	156
Driveline Wing (826-262C) Walterscheid.....	158
Driveline Wing (826-481C) Comer (S/N 461935 to 461937, 468573+).....	160
Section 6: Gearboxes.....	162
Gearbox 1000 RPM RCM5015 (826-317C) RCM6015 (826-322C) Comer.....	162
Gearbox 1000 RPM RCM5015 (826-318C) RCM6015 (826-323C) Comer.....	164
Gearbox 1000 RPM RCM5015 (826-319C) RCM6015 (826-324C) Comer.....	166
Gearbox Divider 1000 RPM (826-180C) Comer.....	168
Section 7: Hydraulics.....	170
Hydraulic Center Lift.....	170
Hydraulic Cylinder (810-162C) Red Lion.....	172
Hydraulic Cylinder (810-312C) Red Lion.....	174
Hydraulic Cylinder Center Lift (810-162C) Cross.....	176
Hydraulic Cylinder Center Lift (810-162C) Midway.....	178
Hydraulic Cylinder Wing (810-312C) Cross.....	180
Hydraulic Cylinder Wing (810-312C) Midway.....	182
Hydraulic Wing Lift.....	184
Section 8: Labels.....	186
Label Placement.....	186
Label Placement.....	188
Section 9: Options.....	190
Baffle Option (318-402A).....	190
 Part Number Index.....	 192



Alphabetized Table of Contents

RCB6010 & RCB6015 SERIES (540 RPM)

A	
Axle Center Deck (S/N 489025-)	24
Axle Center Deck (S/N 489026+)	26
Axle Tandem Center Deck (S/N 419602 to 489025)	28
Axle Tandem Center Deck (S/N 489026+)	30
Axle Wing Deck (S/N 489025-)	32
Axle Wing Deck (S/N 489026+)	34
B	
Baffle Option (318-402A)	98
Blade Carrier	8
D	
Deck Center Section (540 RPM)	10
Deck Wing Section (540 RPM)	14
Driveline Center (826-260C) Walterscheid	40
Driveline Center (826-478C) Comer (S/N 461935 to 461937, 468573+)	42
Driveline Center 540 RPM (826-183C) Eurocardan	44
Driveline CV (826-117C) Walterscheid	46
Driveline CV 540 RPM (826-476C) Comer (S/N 468558 to _____)	48
Driveline Slip Clutch (146.264.024.1) Comer	50
Driveline Slip Clutch (146.284.020.1) Comer	52
Driveline Slip Clutch (383805) Walterscheid	54
Driveline Slip Clutch (391708) Walterscheid	56
Driveline Slip Clutch 540/1000 RPM (1446016) EC	58
Driveline Wing (826-185C) EC New Shielding	60
Driveline Wing (826-262C) Walterscheid	62
Driveline Wing (826-481C) Comer (S/N 461935 to 461937, 468573+)	64
G	
Gearbox (826-231C) OMNI	66
Gearbox (826-232C) OMNI	68
Gearbox 540 RPM (826-320C) Comer	70
Gearbox 540 RPM (826-321C) Comer	72
Gearbox Divider (826-179C) Comer	74
Gearbox Divider (826-179C) OMNI	76
Guards Center Deck	36
Guards Wing Deck	38
H	
Hitch	16
Hydraulic Center Lift	78
Hydraulic Cylinder (810-162C) Red Lion	80
Hydraulic Cylinder (810-312C) Red Lion	82
Hydraulic Cylinder Center Lift (810-162C) Cross	84
Hydraulic Cylinder Center Lift (810-162C) Midway	86
Hydraulic Cylinder Wing (810-312C) Cross	88
Hydraulic Cylinder Wing (810-312C) Midway	90
Hydraulic Wing Lift	92

L	
Label Placement	94
Label Placement	96
W	
Weight Box	20
Wing Turnbuckle and Transport Bar	22

RCBM6010 & RCBM6015 SERIES (1000 RPM)

A	
Axle Center Deck (S/N 489025-)	116
Axle Center Deck (S/N 489026+)	118
Axle Tandem Center Deck (S/N 419602 to 489025)	120
Axle Tandem Center Deck (S/N 489026+)	122
Axle Wing Deck (S/N 489025-)	124
Axle Wing Deck (S/N 489026+)	126
B	
Baffle Option (318-402A)	190
Blade Carrier	100
D	
Deck Center Section (1000 RPM) RCBM Series	102
Deck Wing Section (1000 RPM)	106
Driveline Center (826-478C) Comer (S/N 461935 to 461937, 468573+)	132
Driveline Center 1000 RPM (826-184C) Eurocardan	134
Driveline Center 1000 RPM (826-261C) Walterscheid	136
Driveline CV 1000 RPM (826-244C) Walterscheid (S/N 468225-)	138
Driveline CV 1000 RPM (826-245C) 1 3/4-20 Walterscheid (S/N 488896-)	140
Driveline CV 1000 RPM (826-477C) 1 3/8-21 Comer (S/N 468226 to _____)	142
Driveline CV 1000 RPM (826-499C) 1 3/4-20 Comer (S/N 488897+)	144
Driveline Slip Clutch (146.264.024.1) Comer	146
Driveline Slip Clutch (146.284.020.1) Comer	148
Driveline Slip Clutch (383805) Walterscheid	150
Driveline Slip Clutch 1000 RPM (1406016) Eurocardan	152
Driveline Slip Clutch 540/1000 RPM (1446016) EC	154
Driveline Wing (826-185C) EC New Shielding	156
Driveline Wing (826-262C) Walterscheid	158
Driveline Wing (826-481C) Comer (S/N 461935 to 461937, 468573+)	160
G	
Gearbox 1000 RPM RCM5015 (826-317C) RCM6015 (826-322C) Comer	162
Gearbox 1000 RPM RCM5015 (826-318C) RCM6015 (826-323C) Comer	164
Gearbox 1000 RPM RCM5015 (826-319C) RCM6015 (826-324C) Comer	166
Gearbox Divider 1000 RPM (826-180C) Comer	168



Alphabetized Table of Contents (continued)

Guards Center Deck.....	128
Guards Wing Deck.....	130

H

Hitch.....	108
Hydraulic Center Lift.....	170
Hydraulic Cylinder (810-162C) Red Lion.....	172
Hydraulic Cylinder (810-312C) Red Lion.....	174
Hydraulic Cylinder Center Lift (810-162C) Cross.....	176
Hydraulic Cylinder Center Lift (810-162C) Midway.....	178
Hydraulic Cylinder Wing (810-312C) Cross.....	180
Hydraulic Cylinder Wing (810-312C) Midway.....	182
Hydraulic Wing Lift.....	184

L

Label Placement.....	186
Label Placement.....	188

W

Weight Box.....	112
Wing Turnbuckle and Transport Bar.....	114

General Information

Using This Manual

This manual is divided into sections. The first section contains General Information. The remaining sections divide the machine into segments (i.e. Frames, Drives, Hydraulics, etc.) which illustrate and list all parts. A Parts Number Index is located at the back of the book.

The Land Pride parts in this manual are specially designed for this machine and should be replaced with Land Pride parts only.

The information in this manual is current at time of printing. Some parts may change to assure top performance.

Right-hand and left-hand as used in this manual are determined by facing the direction the machine will travel while in use.

Below is an example of two facing pages from a parts manual. Familiarize yourself with the type of information contained on these pages.

Manual Replacement Information

Replacement manuals are available. Refer to our website at www.landpride.com, the Land Pride Support Center CD or e-mail us at lit@landpride.com for additional information. Our website continues to provide the most up-to-date manuals available.

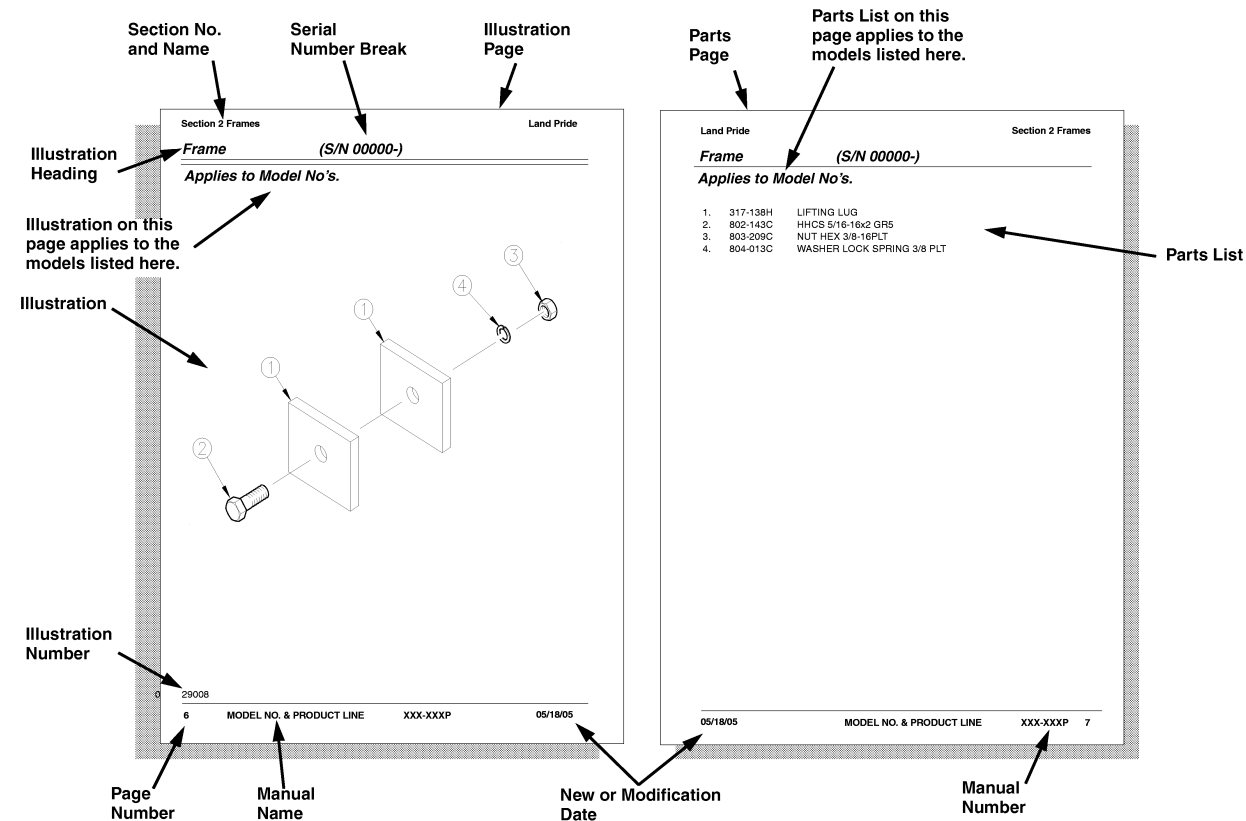
Touch-up Paint

Repaint parts where paint is worn or scratched to prevent rust. Aerosol cans and touch-up bottles with brush applicator are available through your local dealer. Land Pride color descriptions and part numbers are listed below. Also available are quart and gallon size paints. Add QT or GL to end of the Aerosol P/N.

Color	Product ¹	Aerosol	Touch-Up
Gloss Black	LP	821-032C	821-032CTU
Medium Gloss Black	UV	821-053C	821-053CTU
Beige	LP	821-011C	821-011CTU
Green	SLP	821-058C	821-058CTU
Orange	SLP	821-066C	821-066CTU
Red	SLP/UV	821-054C	821-054CTU
Blue	SLP/UV	821-067C	821-067CTU
Dark Green Sparkle	UV	821-055C	821-055CTU
Gondo Forest Green	UV	821-057C	821-057CTU
Brite Yellow ²	UV	821-056C	821-056CTU
Gondo Yellow ³	UV	821-059C	821-059CTU

Notes:

- 1 LP = All Land Pride Products except Utility Vehicles
SLP = Select Land Pride Products that are available in optional Green, Orange, Red, & Blue colors.
UV = Utility Vehicles
- 2 Used on Trekers and (Runabouts with S/N 407628-)
- 3 Used on Gondos and (Runabouts with S/N 407629+)



General Information

Hardware Legend

AR	As Required
BLADE	Blade Bolt
C	Cap Screw
CP	Cotter Pin
CPHSSS	Cup Point Hex Socket Set Screw
CPSHSS	Cup Point Square Head Set Screw
CPSQHSS	Cup Point Square Head Set Screw
CRFCHMS3	Cross Recess Flat Countersunk Head Machine Screw
CRPHMS	Cross Recess Pan Head Machine Screw
CRPHTF	Cross Recess Pan Head Thread Forming
CRRHMS	Cross Recess Round Head Machine Screw
CRTHMS	Cross Recess Truss Head Machine Screw
CSNB	Countersunk Square Neck Bolt
FHMS	Flat Head Machine Screw
FTC	Full Thread Cap Screw
H	Hex Nut
HCLN	Hex Center Lock Nut
HFLCS	Hex Flange Lock Cap Screw
HFS	Hex Flange Screw
HFSLN	Hex Flange Serrated Lock Nut
HFSS	Hex Flange Serrated Screw
HHCS	Hex Head Cap Screw or Metric Bolt
HSBHCS	Hex Socket Button Head Cap Screw
HSFCHCS	Hex Socket Flat Countersunk Head Cap Screw
HSHCS	Hex Socket Head Cap Screw
HSSS	Hex Socket Head Screw
HTLN	Hex Top Lock Nut
HWHCS	Hex Washer Head Cap Screw

HWHMS	Hex Washer Head Machine Screw
HXBHCS	Hex Socket Button Head Cap Screw
J	Hex Jam Nut
JIC	37 Degree Tapered Thread
L	Helical Spring Lock Washer
LUG	Lug Bolt
NFC	National Fine Cap Screw
NPSM	National Pipe Straight Mechanical
NPTF	National Pipe Taper Fuel
P	Wide Plain Washer
PHMS	Pan Head Machine Screw
PLOW	Plow Bolt
RHMS	Round Head Machine Screw
RHSNB	Round Head Square Neck Bolt
SCREW LEVELING	Leveling Screw
SCREW THUMB	Thumb Screw
SCREW WELD	Weld Screw
SFCHMS	Slotted Flat Countersunk Head Machine Screw
SFHMS	Slotted Fillister Head Machine Screw
SP	Special
SP SCREW	Special Screw
SQHSS	Square Head Set Screw
SRHMS	Slotted Round Head Machine Screw
SSS	Socket Set Screw
STCS	Self Tapping Cap Screw
STHMS	Slotted Truss Head Machine Screw
WHEEL	Wheel Studs and Hub Long Bolts
WING	Wing Bolt

Replacement Hardware

The **Hardware Legend** above lists hardware abbreviations used in the parts list. All bolts and nuts are Grade 5 unless otherwise noted. The use of improper grades of hardware can result in personal injury, damage to equipment, or loss of property.

Colored Replacement Parts

Land Pride offers replacement parts in factory standard colors and also on select models in Green, Orange, Red and Blue. Because of the variety of colors available, special attention must be given to the part number to prevent ordering the wrong replacement part.

A suffix number corresponding to one of the colors below must be added at the end of Land Pride's part number when ordering a replacement part with that color.

81 Green 83 Red
82 Orange 84 Blue

For example, if you are ordering a replacement part with part number 555-555C and the part you need is red, then add the suffix 83 to the end of the number to make the part number read 555-555C83. Parts ordered without a suffix number will be supplied in factory standard colors.

Black Replacement Parts

Some parts are factory standard black and some must be special ordered black. If your part is special ordered black, a second part number with the additional suffix number 85 on the end will be available. In this situation you must order that part with the suffix number for it to be black. Parts that are factory standard black will not have the suffix number.

Part Number Service Coding

Within the parts list some part numbers are coded for revisions and interchangeability. See notations in revision column.

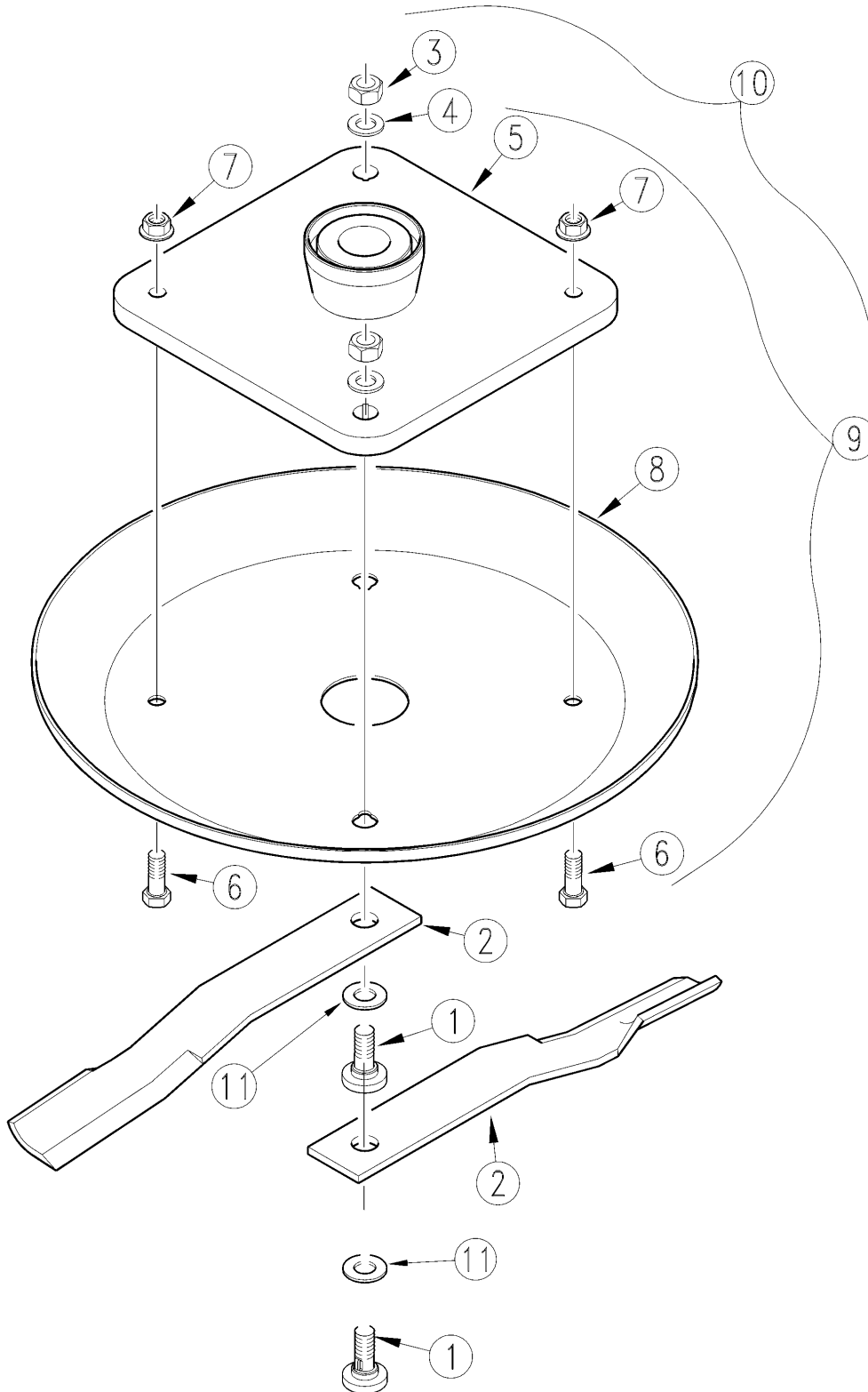
Serial Numbers

Always use the serial and model number when ordering parts. Refer to the Operator's Manual for serial number plate location.

- | | |
|----------------------|--|
| (S/N 20001+) | Includes serial numbers 20001 and above (to the latest number) |
| (S/N 10001 to 20000) | Includes serial numbers between and including 10001 and 20000 |
| (S/N 10000-) | Includes serial numbers 10000 and below (to the earliest number) |

Blade Carrier

Applies to RCB6010, RCB6015



18311

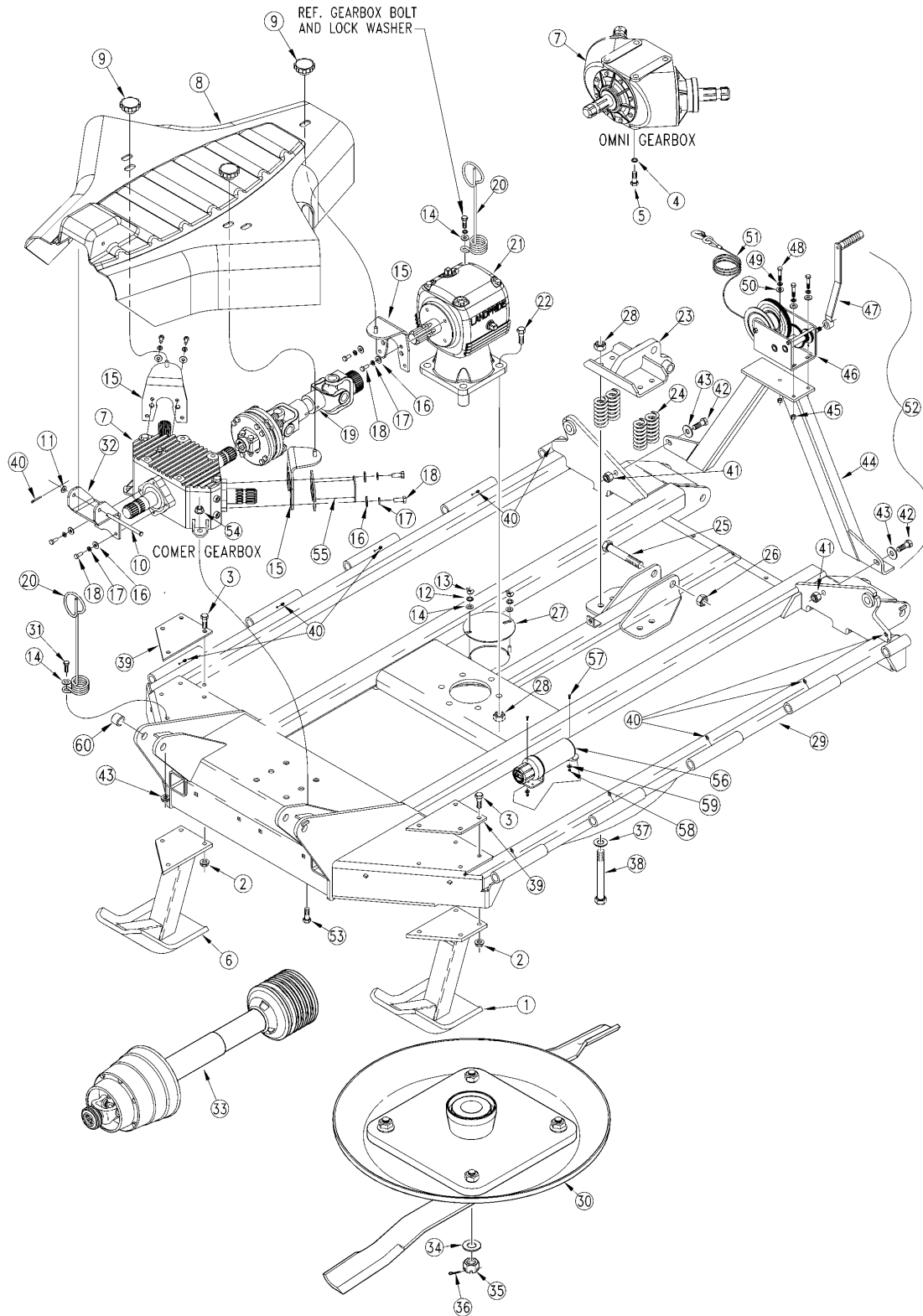
Blade Carrier

Applies to RCB6010, RCB6015

Ref	Part No.	Part Description	Comments	Revision
	dwg18311	Drawing Image Number		
1.	802-277C	BLADE BOL 1 1/8-12X3 7/16 W/KY		
2.	820-168C	CUTTER BLADE 1/2X4X29 CCW	Center Standard Blade Quantity 2	
2.	820-188C	CUTTER BLADE 1/2X4X29 LL CCW	Center Optional Blade Quantity 2	
2.	820-169C	CUTTER BLADE 1/2X4X23 CCW	RH Standard Blade Quantity 2	
2.	820-189C	CUTTER BLADE 1/2X4X23 LL CCW	RH Optional Blade Quantity 2	
2.	820-170C	CUTTER BLADE 1/2X4X23 CW	LH Standard Blade Quantity	
2.	820-190C	CUTTER BLADE 1/2X4X23 LL CW	LH Optional Blade Quantity 2	
3.	803-170C	NUT HEX TOP LOCK 1 1/8-12 PLT.		
4.	804-147C	WASHER FLAT 1 HARD ASTMF436 PN		
5.	318-364H	WLDMT. DP. 60 SERIES/U125 HUB	(S/N 325492+)	Rev. 2 not compat. w/Rev. 1.
5.	318-164H	WLDMT. DISHPAN	(S/N 325491-)	Rev. 1
6.	802-065C	HHCS 3/4-10X2 1/4 GR5		
7.	803-181C	NUT HEX FLANGE LOCK 3/4-10 PLT		
8.	318-190D	LARGE ROUND DISHPAN 3/16	OMNI/COMER	
9.	318-368V	ASSY. BLADE CARRIER	(S/N 325492+)	Rev. 2 not compat. w/Rev. 1.
9.	318-165V	ASSY. BLADE CARRIER	(S/N 325491-)	Rev. 1
10.	318-159S	ASSY. CCW BLADE CARRIER CTR.	Center Section (S/N 325491-)	
10.	318-161S	ASSY. CCW BLADE CARRIER RH.	RH wing (S/N 325491-)	
10.	318-163S	ASSY. CW BLADE CARRIER LH.	LH Wing (S/N 325491-)	
10.	318-369S	ASSY. CCW BLADE CARRIER CTR.	Center (S/N 325492+)	
10.	318-370S	ASSY. CCW BLADE CARRIER RH.	RH wing (S/N 325492+)	
10.	318-368V	ASSY. BLADE CARRIER	LH wing (S/N 325492+)	
11.	312-075D	BLADE SPACER 16 GA .06 thick	As Required	
11.	312-082D	BLADE SPACER 18 GA .05 thick	As Required	
11.	312-089D	BLADE SPACER 20 GA. .04 thick	As Required	
11.	312-808D	BLADE SPACER 24GA .03 thick	As Required	

Deck Center Section (540 RPM)

Applies to RCB6010, RCB6015



22220

Deck Center Section (540 RPM)**Applies to RCB6010, RCB6015**

Ref	Part No.	Part Description	Comments	Revision
	dwg22220	Drawing Image Number		
1.	318-146H	WLDMT. SKID SHOE LH.		
2.	803-037C	NUT HEX WHIZ 1/2-13 PLT		
3.	802-456C	HFS 1/2-13X2 GR8		
4.	804-023C	WASHER LOCK SPRING 3/4 PLT		
5.	802-184C	HHCS 3/4-10X1 1/2 GR5		
6.	318-145H	WLDMT. SKID SHOE RH.		
7.	826-179C	DIVBX.RCD101HD 1 3/4-20 1:1.21		
8.	817-416C	PLASTIC DIVIDER BOX SHIELD		
9.	817-259C	KNOB 3/8-16 FEMALE THD 2 3/8OD		
10.	805-309C	PIN CLEVIS 3/8 X 5 1/2 PLT		
11.	805-045C	PIN COTTER 5/32 X 1 1/4 LG		
12.	804-013C	WASHER LOCK SPRING 3/8 PLT		
13.	803-231C	NUT WING 3/8-16 PLT		
14.	804-012C	WASHER FLAT 3/8 SAE PLT		
15.	318-401H	SHIELD BRACKET WELDMENT		
16.	804-010C	WASHER FLAT 5/16 USS PLT		
17.	804-009C	WASHER LOCK SPRING 5/16 PLT		
18.	802-007C	HHCS 5/16-18X3/4 GR5	OMNI Gearbox	
18.	803-314C	NUT HEX TOPLOCK 1 1/4-7GR9 PLT	COMER Gearbox	
19.	826-183C	PTO INT. CAT.4 540W/CLUTCH		
19.	826-478C	PTO E60 X 21.7 1280NM CLUTCH	(S/N 461935 to 461937, 468573+)	Rev. 2
19.	826-260C	RPBY 826-478C		Rev. 1
20.	807-023C	SPRING HOSE LOOP		
21.	826-320C	GBOX RC60 1.75-20 1:1.46 CCW		
22.	802-065C	HHCS 3/4-10X2 1/4 GR5	(S/N 558465+)	
22.	802-064C	HHCS 3/4-10X2 GR5	(S/N 558464-)	
23.	318-169H	WLDMT. CYLINDER SPRING BASE		
24.	807-143C	SPRING COMP 1.88OD x .362W		
25.	802-235C	HHCS 1-8X5 GR5		
26.	803-168C	NUT HEX TOP LOCK 1-8 PLT		
27.	312-611D	BLADE BOLT ACCESS COVER		
28.	803-026C	NUT LOCK 3/4-10 PLT		
29.	318-693H	WLDMT. CENTER SECT. BID	(S/N 419602+)	Rev. 2
29.	318-257H	WLDMT. CTR. SECT. BID	(S/N 419601-)	Rev. 1
30.	318-369S	ASSY. CCW BLADE CARRIER CTR.	(S/N 325492+)	Rev. 2 not compat. w/Rev. 1.
30.	318-159S	ASSY. CCW BLADE CARRIER CTR.	(S/N 325491-)	Rev. 1
31.	802-017C	RPBY 826-476C		
32.	318-322D	FORMED HINGE BRACKET		
33.	826-476C	PTO CV V80 X 54.8 NO CLUTCH	(S/N 468558+)	
33.	826-117C	PTO 2580 X 41.73 NO CLUTCH		
34.	804-169C	WASHER HARDENED 1 1/8 USS		
35.	8.2.2.00560	CO CASTLE NUT M36X3		
36.	805-105C	PIN COTTER 1/4 X 2 1/2 PLT		
37.	804-028C	WASHER FLAT 1 USS PLT		
38.	802-070C	HHCS 3/4-10X6 GR5		
39.	318-167D	TOP PLATE SKID REINFORCEMENT		
40.	800-080C	GREASE ZERK 1/4-28 THD FORMING		
41.	803-271C	NUT HEX TOP LOCK 5/8-11 PLT		
42.	802-053C	HHCS 5/8-11X1 3/4 GR5		
43.	804-019C	WASHER FLAT 5/8 USS PLT		
44.	318-256H	WLDMT. WINCH		
45.	803-013C	NUT LOCK 3/8-16 PLT		
46.	890-671C	BRAKE WINCH DLB2000		
47.	890-679C	WINCH HANDLE 12" DBL2000		
48.	802-023C	HHCS 3/8-16X1 3/4 GR5		
49.	804-013C	WASHER LOCK SPRING 3/8 PLT		
50.	804-011C	WASHER FLAT 3/8 USS PLT		

RCB6010 & RCB6015 SERIES (540 RPM)

Deck Center Section (540 RPM) (continued)**Applies to RCB6010, RCB6015**

Ref	Part No.	Part Description	Comments	Revision
51.	890-680C	WINCH CABLE AND HOOK		
52.	318-271A	MECHANICAL WINCH	Includes items 41 through 51	
53.	802-058C	HHCS 5/8-11X2 1/2 GR5	COMER Gearbox	
54.	803-271C	NUT HEX TOP LOCK 5/8-11 PLT	COMER Gearbox	
55.	318-141H	WLDMT. SHAFT PROTECTOR	Used with Weight Box only	
56.	816-481C	MANUAL STORAGE CONTAINER	S/N 488627+	
57.	802-005C	HHCS 1/4-20X1 GR5	S/N 488627+	
58.	803-255C	NUT HEX NYLOCK 1/4-20	S/N 488627+	
59.	804-007C	WASHER FLAT 1/4 SAE PLT	S/N 488627+	
60.	890-005C	BUSHING CYL 1 1/4 X 1 X 1	S/N 509805+	

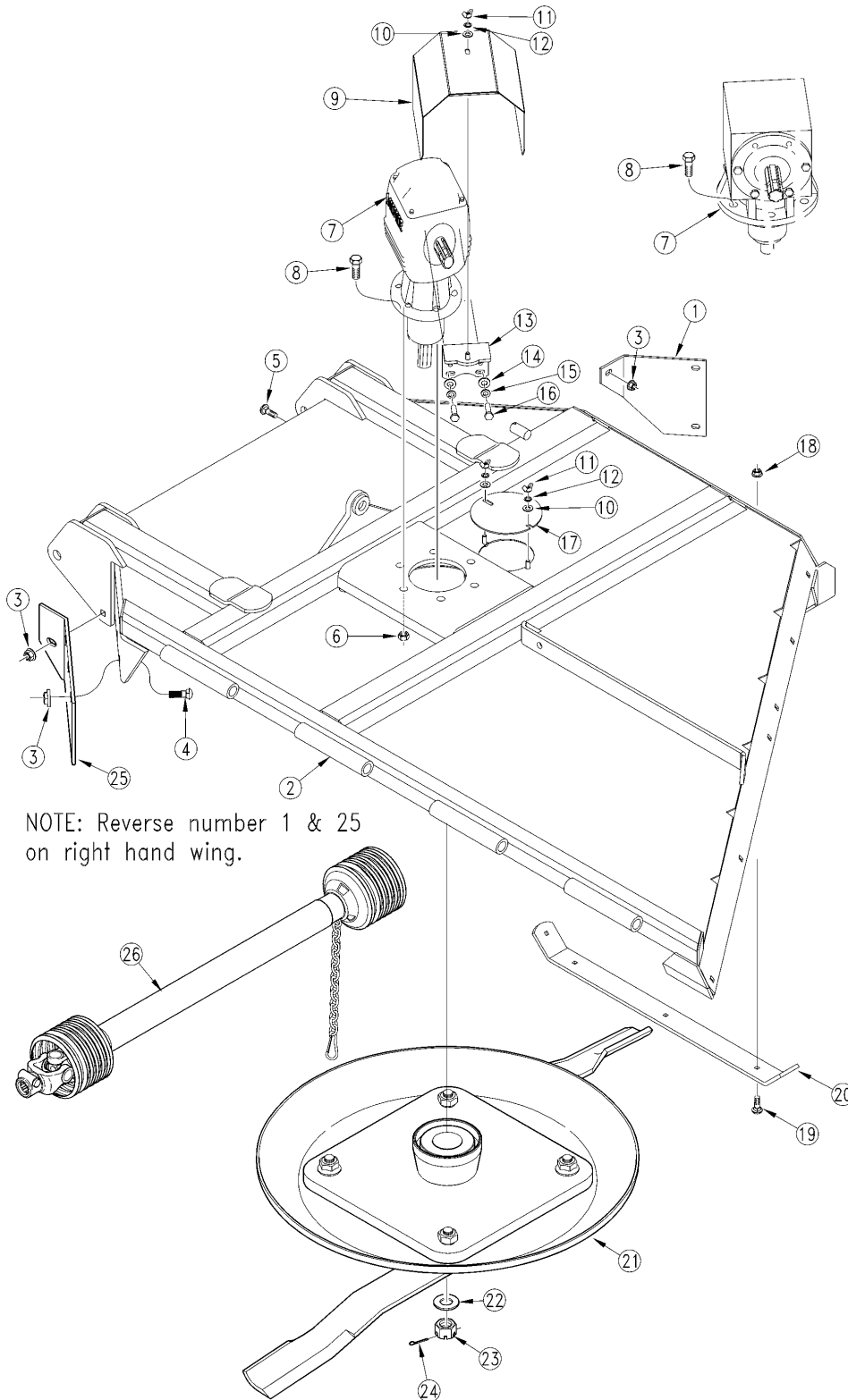
Deck Center Section (540 RPM) (continued)

Applies to RCB6010, RCB6015

This Page Intentionally Left Blank

Deck Wing Section (540 RPM)

Applies to RCB6010, RCB6015



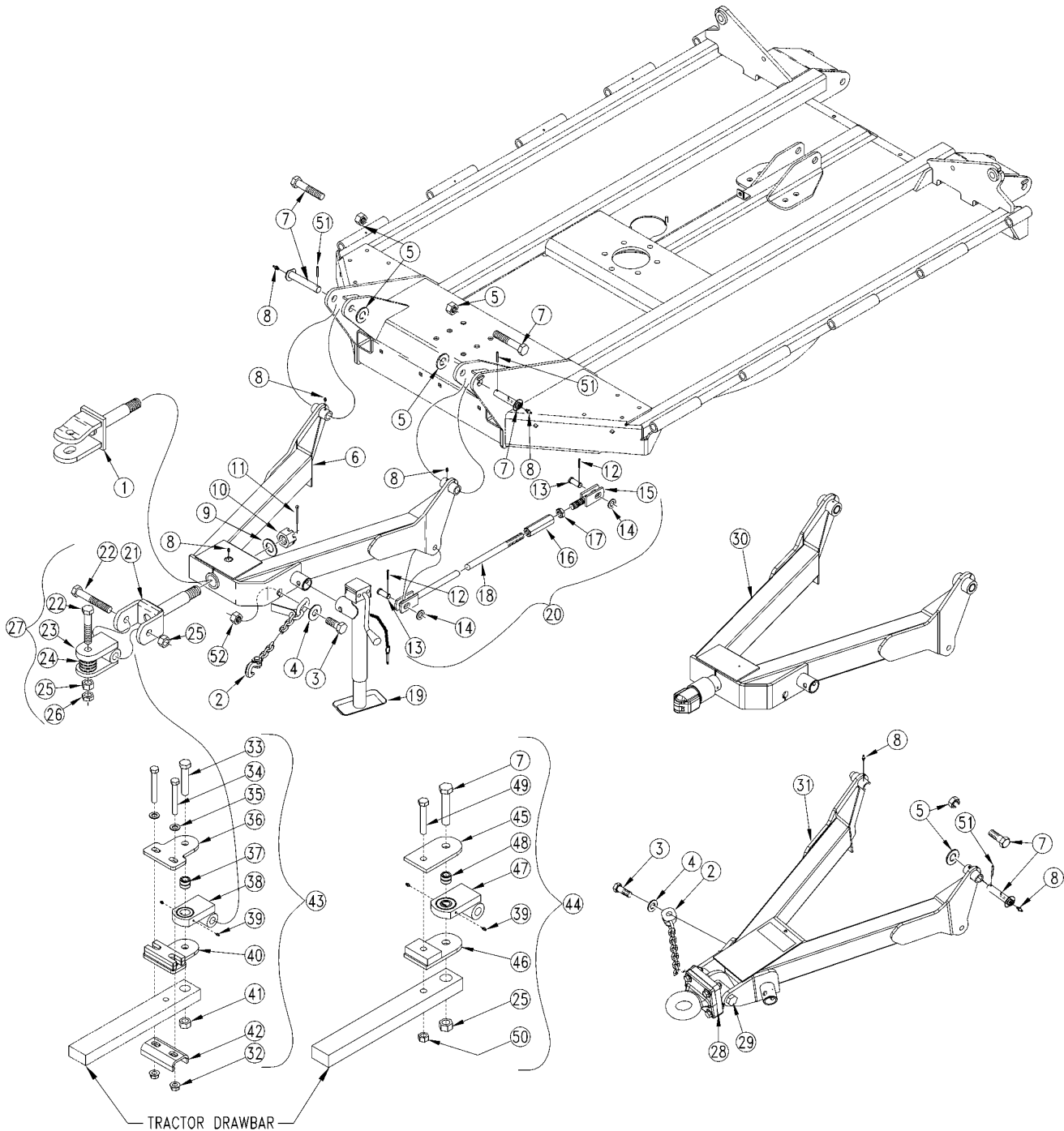
18310

Deck Wing Section (540 RPM)**Applies to RCB6010, RCB6015**

Ref	Part No.	Part Description	Comments	Revision
	dwg18310	Drawing Image Number		
1.	318-087D	DEFLECTOR	LH Deck Shown	
1.	318-086D	DEFLECTOR	RH Deck	
2.	318-341H	WLDMT. WING RH. SECT. BID	(S/N 292792+)	Rev. 2 not compat. w/Rev. 1.
2.	318-258H	WLDMT. WING RH. SECT. BID	(S/N 292791-)	Rev. 1
2.	318-342H	WLDMT. WING LH. SECT. BID	(S/N 292792+)	Rev. 2 not compat. w/Rev. 1.
2.	318-259H	WLDMT. WING LH. SECT. BID	(S/N 292791-)	Rev. 1
3.	803-037C	NUT HEX WHIZ 1/2-13 PLT		
4.	802-214C	RHSNB 1/2-13X1 1/4 GR5		
5.	802-106C	RHSNB 1/2-13X1 1/2 GR5		
6.	803-026C	NUT LOCK 3/4-10 PLT		
7.	826-320C	GBOX RC130L 1.75-20 1:1.46	LH Deck (S/N 325492+)	
7.	826-321C	GBOX RC60 1.75-20 1:1.46	RH Deck (S/N 325492+)	
7.	826-231C	GBOX RC130L 1.75-20 1:1.46	LH Deck (S/N 325491-)	
7.	826-232C	GBOX RC130L 1.75-20 1:1.46	RH Deck (S/N 325491-)	
8.	802-065C	HHCS 3/4-10X2 1/4 GR5	(S/N 558465+)	
8.	802-064C	HHCS 3/4-10X2 GR5	(S/N 558464-)	
9.	312-399H	SHIELD WELDMENT		
10.	804-012C	WASHER FLAT 3/8 SAE PLT		
11.	803-231C	NUT WING 3/8-16 PLT		
12.	804-013C	WASHER LOCK SPRING 3/8 PLT		
13.	312-400H	SHIELD MOUNT BRACKET WELDMENT		
14.	804-010C	WASHER FLAT 5/16 USS PLT		
15.	804-009C	WASHER LOCK SPRING 5/16 PLT		
16.	802-007C	HHCS 5/16-18X3/4 GR5		
17.	312-611D	BLADE BOLT ACCESS COVER		
18.	803-198C	NUT HEX WHIZ 3/8-16 PLT		
19.	802-466C	PLOW 3/8-16X1 1/4 GR5		
20.	318-335D	SKID SHOE	(S/N 292792+)	Rev. 2 not compat. w/Rev. 1.
20.	318-096D	SKID SHOE	(S/N 292791-)	Rev. 1
21.	318-370S	ASSY. CCW BLADE CARRIER RH.	RH Deck	
21.	318-371S	ASSY. CW BLADE CARRIER LH.	LH Deck	
22.	0.288.7101.00	CO BLANK WASHER		
22.	804-169C	WASHER HARDENED 1 1/8 USS		
23.	8.2.2.00560	CO CASTLE NUT M36X3	(S/N 325-492+)	
23.	120092	OMNI NUT HEX SLOTTED, 1 1/4	(S/N 325-491-)	
24.	805-105C	PIN COTTER 1/4 X 2 1/2 PLT		
25.	318-171D	DEFLECTOR FLAT LH.	Shown	
25.	318-170D	DEFLECTOR FLAT RH.		
26.	826-481C	PTO V80 X 59.3 1280NM CLUTCH	(S/N 461935 to 461937, 468573+)	Rev. 2
26.	826-262C	RPBY 826-481C		Rev. 1
26.	826-185C	PTO CAT.4 W/CLUTCH 1 3/4-20		

Hitch

Applies to RCB6010, RCB6015



18308

Hitch**Applies to RCB6010, RCB6015**

Ref	Part No.	Part Description	Comments	Revision
	dwg18308	Drawing Image Number		
	318-678L	ASSY. SWIVEL TONGUE	(S/N 419602+)	Rev. 2 not compat. w/Rev. 1.
	318-254L	ASSY. SWIVEL TONGUE	Includes items 1 through 11 (S/N 419601-1)	Rev. 1
1.	318-253H	WLDMT. SWIVEL HITCH	(S/N 306742-)	
2.	890-182C	SAFETY CHAIN 10000 LB		
3.	802-096C	HHCS 1-8X2 1/2 GR5		
4.	804-028C	WASHER FLAT 1 USS		
5.	804-029C	WASHER FLAT 1 SAE	S/N 489026+	
5.	803-168C	NUT HEX TOP LOCK 1-8 PLT	S/N 489025-	
6.	318-694H	WLDMT. SWIVEL TONGUE	(S/N 419602+)	Rev. 2 not compat. w/Rev. 1.
6.	318-252H	WLDMT. SWIVEL TONGUE	(S/N 419601-)	Rev. 1
7.	318-850H	WLDMT. PVT. PIN TONGUE	S/N 489026+	
7.	802-235C	HHCS 1-8X5 GR5	S/N 489025-	
8.	800-080C	GREASE ZERK 1/4-28 THD FORMING		
9.	804-171C	WASHER FLAT 1 3/8HARD ASTM436		
10.	803-301C	NUT HEX SLOTTED 1 1/2-6 PLT		
11.	805-105C	PIN COTTER 1/4 X 2 1/2 PLT		
12.	805-045C	PIN COTTER 5/32 X 1 1/4 LG		
13.	805-083C	PIN CLEVIS 3/4 X 1 1/2		
14.	804-025C	WASHER FLAT 3/4 SAE PLT		
15.	318-008H	WLDMT. LEVEL ROD SHORT		
16.	803-265C	NUT HEX COUPLER 7/8-9 x 5		
17.	803-075C	NUT HEX JAM 7/8-9		
18.	318-007H	WLDMT. LEVEL ROD LONG		
19.	890-226C	SIDEWIND JACK 5000 LB		
20.	318-052L	ASSY. LEVEL ROD	Includes items 12 through 18	
21.	318-358H	SHAFT WELDMENT	(S/N 306743+)	
22.	802-074C	HHCS 1-8X6 1/2 GR5	(S/N 306743+)	
23.	318-357H	CLEVIS WELDMENT	(S/N 306743+)	
24.	804-028C	WASHER FLAT 1 USS PLT	(S/N 306743+)	
25.	803-168C	NUT HEX TOP LOCK 1-8 PLT	(S/N 306743+)	
26.	803-030C	NUT HEX JAM 1-8 PLT	(S/N 306743+)	
27.	318-356S	ASSY. SWIVEL CLEVIS	(S/N 306743+)	
28.	318-555S	ASSY. PINTLE HITCH CLEVIS		
29.	802-110C	HHCS 1-8X9 GR5		
30.	318-688H	WLDMT. BALL HITCH TONGUE	(S/N 419602+)	Rev. 2 not compat. w/Rev. 1.
30.	318-406H	WLDMT. BALL HITCH TONGUE	(S/N 419601-)	Rev. 1
31.	318-570H	WLDMT. TONGUE	(S/N 419602+)	Rev. 2 not compat. w/Rev. 1.
31.	318-004H	WLDMT. TONGUE	(S/N 419601-)	Rev. 1
32.	803-181C	NUT HEX FLANGE LOCK 3/4-10 PLT		
33.	802-235C	HHCS 1-8X5 GR5		
34.	802-594C	HHCS 3/4-10X5 1/2 GR5		
35.	804-025C	WASHER FLAT 3/4 SAE PLT		
36.	318-691D	HITCH TOP PLATE		
37.	890-862C	BUSHING 1.50ODX1.00IDX1.25		
38.	318-834H	WELDMENT HITCH CLEVIS		
39.	800-001C	GREASE ZERK STRAIGHT 1/4-28		
40.	318-835H	WELDMENT HITCH BASE		
41.	803-168C	NUT HEX TOP LOCK 1-8 PLT		
42.	318-693D	FORMED HITCH SUPPORT		
43.	318-833S	ASSY. PIVOT-CLAMP HITCH		Rev. 2
44.	318-746S	REPLACE WITH 318-833S	(See Item 43)	Rev 1; Use up stock
45.	318-661D	REPLACE WITH 318-833S	(See Item 43)	Rev 1; Use up stock
46.	318-745H	REPLACE WITH 318-833S	(See Item 43)	Rev 1; Use up stock
47.	318-744H	REPLACE WITH 318-833S	(See Item 43)	Rev 1; Use up stock
48.	890-858C	BUSHING 1.50ODX1.00IDX1.00	Included with item 47	
49.	802-192C	HHCS 3/4-10X4 1/2 GR5		

RCB6010 & RCB6015 SERIES (540 RPM)

Hitch (continued)**Applies to RCB6010, RCB6015**

Ref	Part No.	Part Description	Comments	Revision
50.	803-026C	NUT LOCK 3/4-10 PLT		
51.	805-146C	PIN ROLL 1/4 X 2 LG PL	S/N 489026+	
52.	803-168C	NUT HEX TOP LOCK 1-8 PLT		

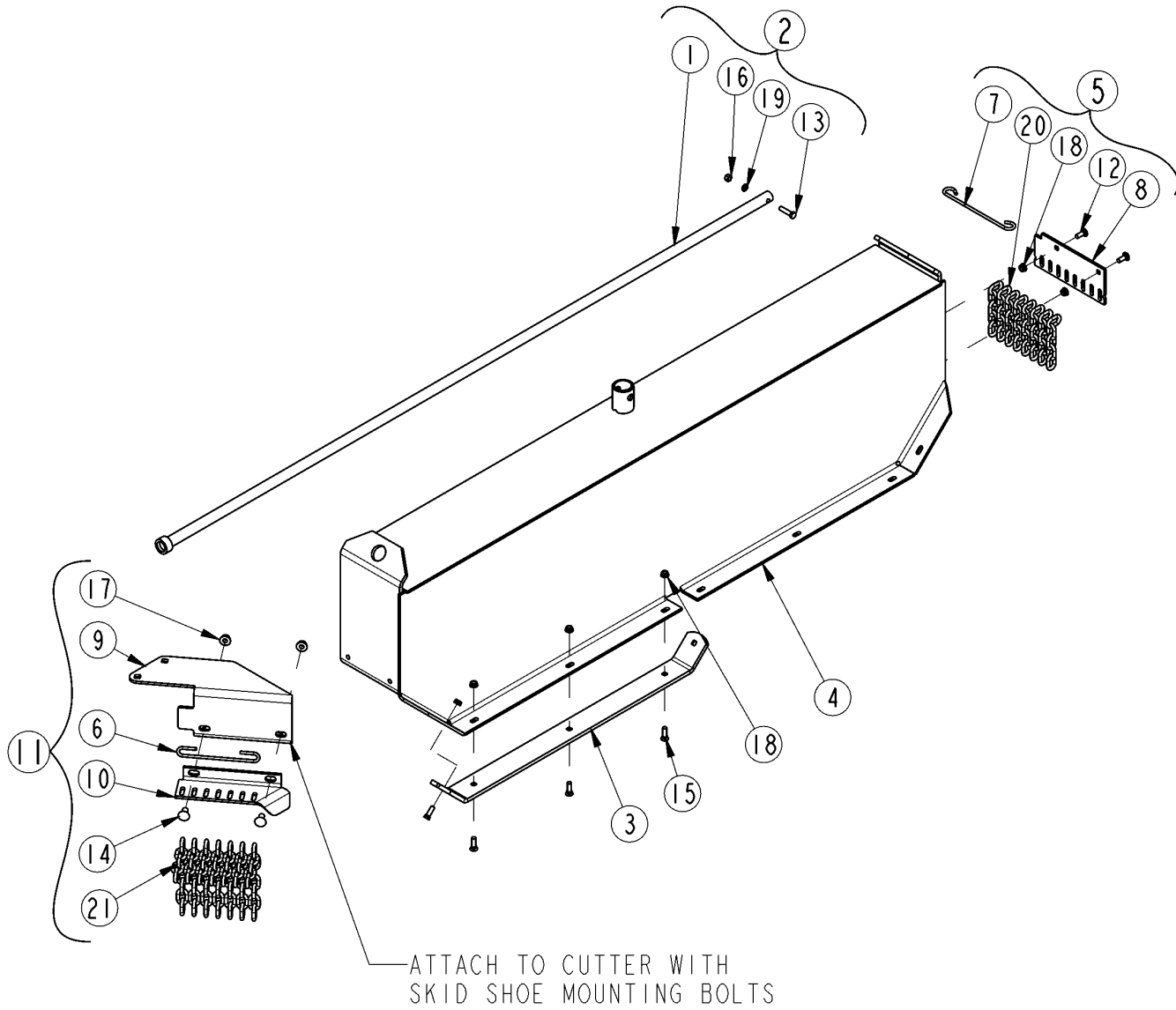
Hitch (continued)

Applies to RCB6010, RCB6015

This Page Intentionally Left Blank

Weight Box

Applies to RCB6010, RCB6015



22213

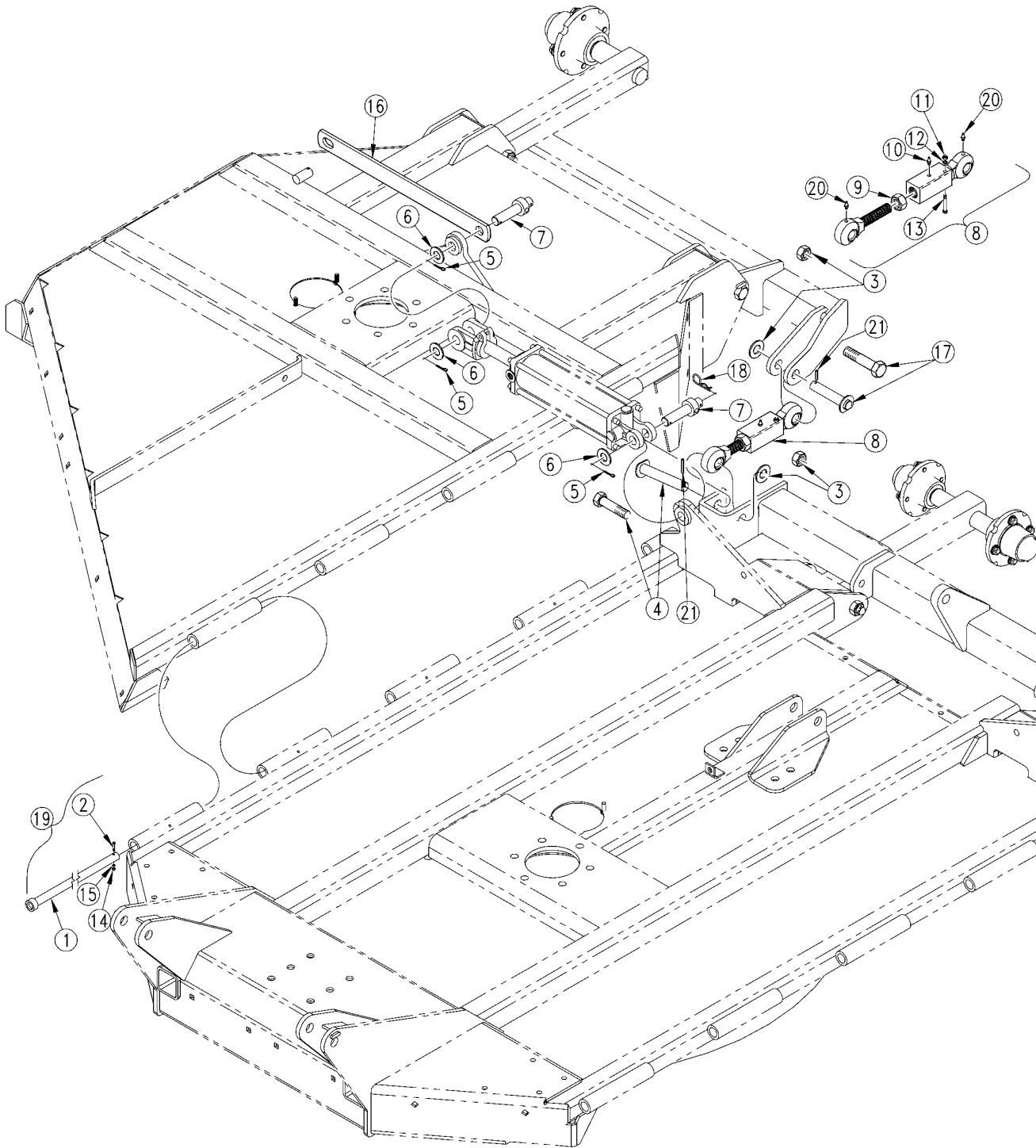
Weight Box

Applies to RCB6010, RCB6015

Ref	Part No.	Part Description	Comments	Revision
	dwg22213	Drawing Image Number		
1.	318-017H	WLDMT. HINGE ROD		
2.	318-055L	ASSY. HINGE ROD		
3.	318-096D	SKID SHOE		
4.	318-107H	WLDMT WEIGHT BOX RH. WING		
5.	318-111K	ASSY. REAR CHAINGUARD		
6.	318-160D	ROD 1/4 X 11		
7.	318-196D	ROUND ROD 1/4 X 12 1/2		
8.	318-198D	REAR CHAINGUARD		
9.	318-353D	CHAINGUARD MOUNTING PLATE LH.		
10.	318-354D	FRONT CHAINGUARD LH		
11.	318-354K	ASSY. FRT.CG.WT.BOX RH.WING		
12.	802-015C	RHSNB 3/8-16X1 GR5		
13.	802-022C	HHCS 3/8-16X1 1/2 GR5		
14.	802-183C	RHSNB 1/2-13X1 GR5		
15.	802-466C	PLOW 3/8-16X1 1/4 GR5		
16.	803-014C	NUT HEX 3/8-16 PLT		
17.	803-037C	NUT HEX WHIZ 1/2-13 PLT		
18.	803-198C	NUT HEX WHIZ 3/8-16 PLT		
19.	804-013C	WASHER LOCK SPRING 3/8 PLT		
20.	890-341C	CHAIN WELD 5/16 PROOF X 5 LINK		
21.	890-393C	CHAIN WELD 5/16 PROOF X 7-LINK		

Wing Turnbuckle and Transport Bar

Applies to RCB6010, RCB6015



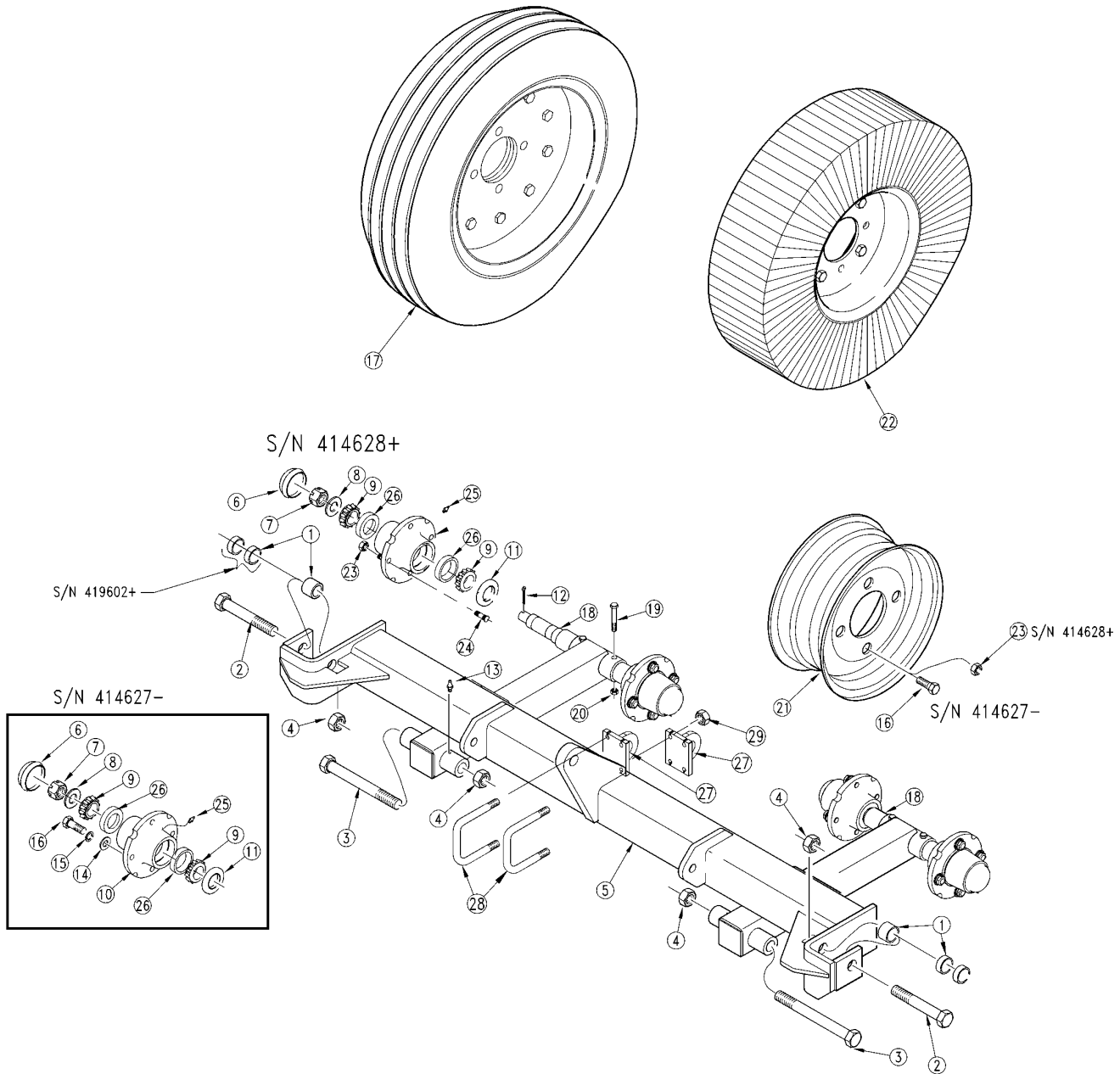
18312

Wing Turnbuckle and Transport Bar**Applies to RCB6010, RCB6015**

Ref	Part No.	Part Description	Comments	Revision
	dwg18312	Drawing Image Number		
1.	318-017H	WLDMT. HINGE ROD		
2.	802-022C	HHCS 3/8-16X1 1/2 GR5		
3.	804-029C	WASHER FLAT 1 SAE	S/N 489026+	
3.	803-168C	NUT HEX TOP LOCK 1-8 PLT	S/N 489025-	
4.	318-854H	WLDMT. PVT. PIN TURNBUCKLE	S/N 489026+	
4.	802-205C	HHCS 1-8X5 1/2 GR5	S/N 222150 to 489025	
4.	802-235C	HHCS 1-8X5 GR5	S/N 222149-	
5.	805-104C	PIN COTTER 3/16 X 1 1/2 PLT		
6.	804-029C	WASHER FLAT 1 SAE		
7.	318-018H	WLDMT. CYLINDER PIN		
8.	890-893C	TURNBUCKLE 1BORE W/SWIVEL 9.43	S/N 419602+	
8.	890-506C	TURNBUCKLE 1BORE W/SWIVELS	S/N 419601- Includes items 9 thru 13 & 20	
9.	803-266C	NUT HEX JAM 1 1/8-7 PLTD.		
10.	800-130C	GREASE ZERK STRAIGHT 1/8-27NPT		
11.	803-008C	NUT HEX 5/16-18 PLT		
12.	804-009C	WASHER LOCK SPRING 5/16 PLT		
13.	802-649C	HHCS 5/16-18X2 1/2 GR8		
14.	803-014C	NUT HEX 3/8-16 PLT		
15.	804-013C	WASHER LOCK SPRING 3/8 PLT		
16.	318-040D	TRANSPORT BAR		
17.	318-853H	WLDMT. PVT. PIN TURNBUCKLE	S/N 489026+	
17.	802-073C	HHCS 1-8X4 GR5	S/N 489025-	
18.	805-088C	PIN, HAIR COTTER 3/16 WIRE DIA		
19.	318-055L	ASSY. HINGE ROD	Includes items 1, 2, 17 & 18	
20.	800-001C	GREASE ZERK STRAIGHT 1/4-28		
21.	805-146C	PIN ROLL 1/4 X 2 LG PL	S/N 489026+	

Axle Center Deck (S/N 489025-)

Applies to RCB6010, RCB6015



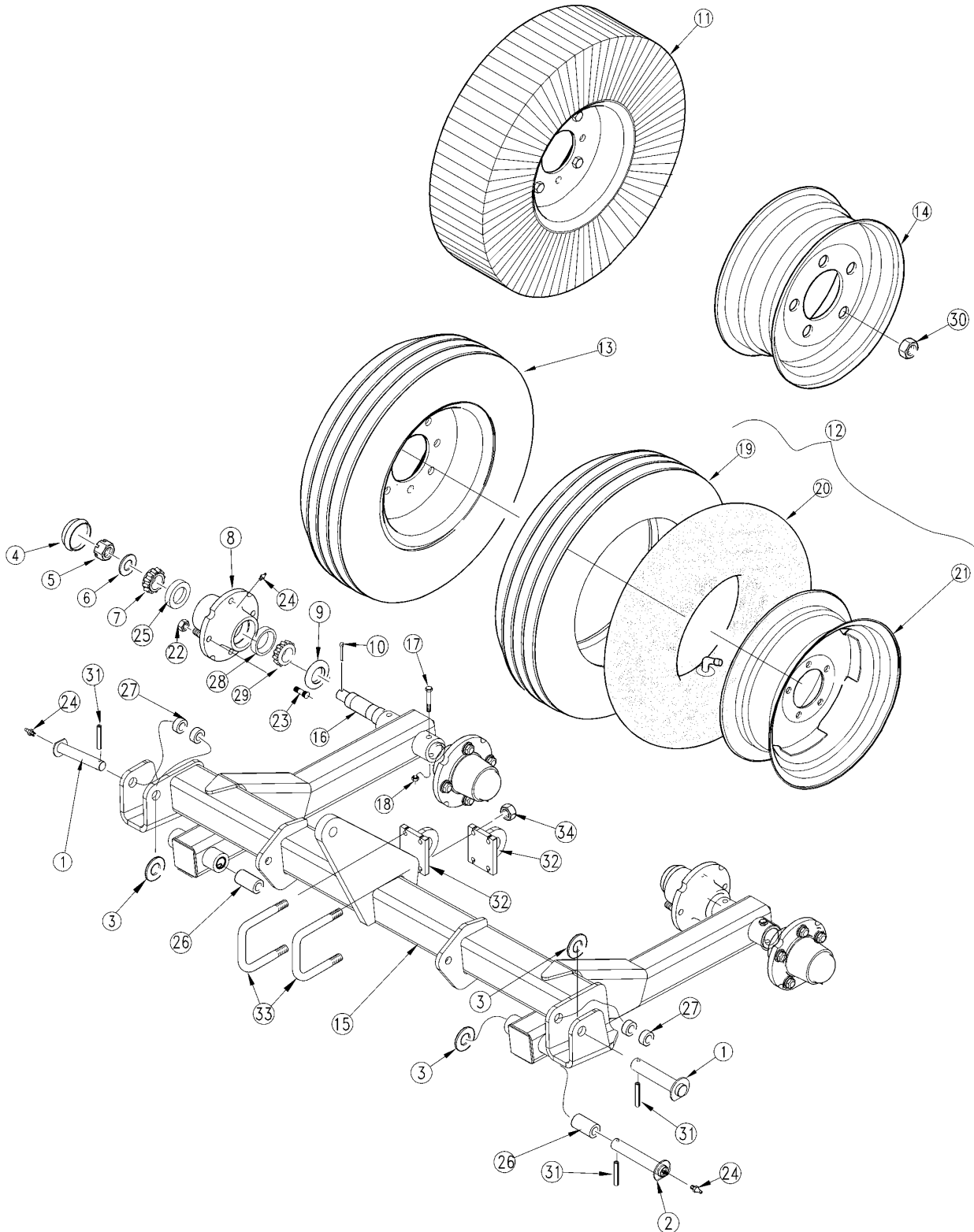
18313

Axle Center Deck (S/N 489025-)**Applies to RCB6010, RCB6015**

Ref	Part No.	Part Description	Comments	Revision
	dwg18313	Drawing Image Number		
1.	827-001C	SPACER 1/2	(S/N 491602+)	
1.	318-085D	SPACER 1 1/2OD X .234W X 1	(S/N 491601-)	
2.	802-205C	HHCS 1-8X5 1/2 GR5		
3.	802-110C	HHCS 1-8X9 GR5		
4.	803-168C	NUT HEX TOP LOCK 1-8 PLT		
5.	318-623H	WLDMT. STD. CENTER AXLE	(S/N 419602+)	Rev. 2 not compat. w/Rev. 1.
5.	318-188H	WLDMT. CENTER AXLE	(S/N 419601-)	Rev. 1
6.	200-001D	HUB GREASE CAP		
7.	803-029C	NUT HEX SLOTTED 7/8-14 PLT		
8.	804-055C	WASHER SPINDLE - 7/8		
9.	822-091C	BEARING CONE 15123		
10.	815-230C	HUB 4 BLT W/CUPS, ZERK & STUDS	(S/N 414628+) W/CUPS, ZERK & STUDS	Rev. 2
10.	815-093C	HUB 4 BOLT WHL W/CUPS & ZERK	(S/N 414627-) W/CUPS & ZERK	Rev. 1
11.	816-098C	SEAL 1 3/8 ID X 2.441 OD X .313		
12.	805-016C	PIN COTTER 3/16 X 1 1/4 PLT		
13.	800-080C	GREASE ZERK 1/4-28 THD FORMING		
14.	804-016C	WASHER FLAT 1/2 SAE PLT	Use with 17 & 22 S/N 414627-	
15.	804-015C	WASHER LOCK SPRING 1/2 PLT	Use with 17 & 22 S/N 414627-	
16.	802-240C	HHCS 1/2-20X1 GR5	Use with 17 & 22 S/N 414627-	
16.	802-104C	BOLT WHEEL 1/2-20X1 90-DEG	Use with 21 S/N 414627-	
17.	814-263C	AC TIRE 24 X 7.7 2PC	(S/N 419602+)	Rev. 3
17.	814-201C	AC TIRE 27x7.75x15 MOUNTED	(S/N 419601-)	Rev. 2
17.	814-086C	TIRE 25.5 X 8.0-14 - MOUNTED	(S/N 419601-)	Rev. 1
17.	814-262C	AC TIRE 24 x 7.7 2PC FOAM FILL	(S/N 419602+)	Rev. 3
17.	814-202C	AC TIRE 27X7.75X15 MOUNTED FF	(S/N 419601-)	Rev. 2
17.	814-189C	TIRE 25.5 X 8.0-14 - AIR/FOAM	(S/N 419601-)	Rev. 1
18.	815-141C	SPINDLE - DUAL AXLE BOLT ON	(S/N 419602+)	Rev. 2 not compat. w/Rev. 1.
18.	815-109C	SPINDLE - DUAL AXLE BOLT ON	(S/N 419601-)	Rev. 1
19.	802-099C	HHCS 1/2-13X3 1/4 GR5		
20.	803-019C	NUT LOCK 1/2-13 PLT		
21.	814-066C	WHEEL 15 X 5 X 4 BOLT		
22.	814-059C	TIRE & WHEEL LAM. 6X9X21(TALL)		
23.	803-308C	NUT HEX FLG/LK 1/2-20 PLT.GR.G	Use with 17 & 22 S/N 414628+	
23.	803-017C	NUT LUG 1/2-20X90DEG PLT 13/16	Use with 21 S/N 414628+	
24.	802-135C	HUB STUD 1/2-20X1 5/8 GR5	S/N 414628+	
25.	800-001C	GREASE ZERK STRAIGHT 1/4-28		
26.	822-092C	BEARING CUP 15245		
27.	318-313H	WELDMENT CHAIN ATTACH		
28.	806-026C	U-BOLT 1/2-13 X 7 1/32 X 8 1/4		
29.	803-263C	NUT HEX FLANGE LOCK 5/8-11		

Axle Center Deck (S/N 489026+)

Applies to RCB6010, RCB6015



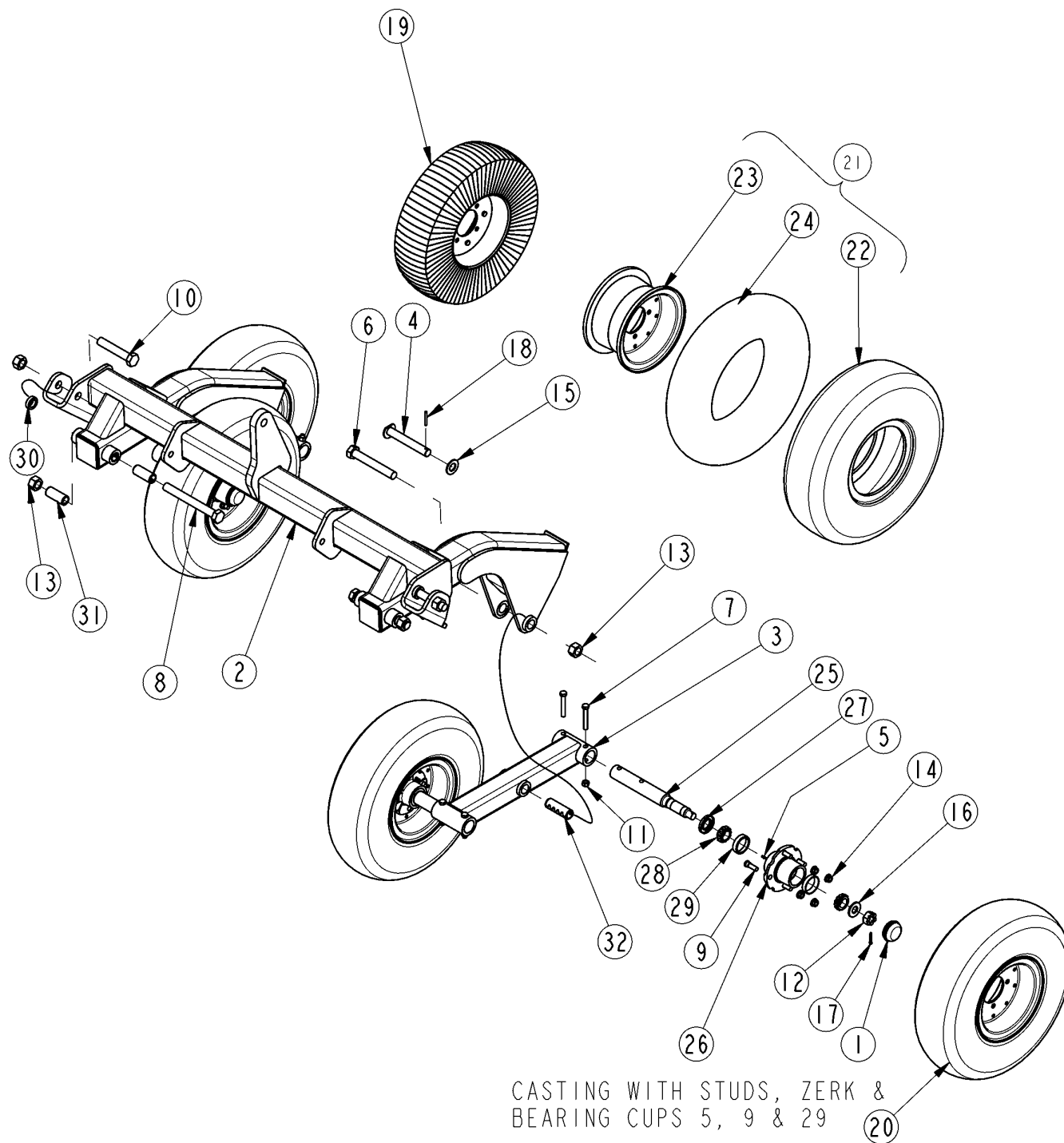
24521

Axle Center Deck (S/N 489026+)**Applies to RCB6010, RCB6015**

Ref	Part No.	Part Description	Comments	Revision
	dwg23962	Drawing Image Number		
1.	318-854H	WLDMT. PVT. PIN TURNBUCKLE		
2.	318-851H	WLDMT. PVT. PIN CTR. AXLE STD.		
3.	804-029C	WASHER FLAT 1 SAE		
4.	200-001D	HUB GREASE CAP		
5.	803-053C	NUT HEX SLOTTED 3/4-16		
6.	804-216C	WASHER HARDENED .81ID		
7.	822-021C	BEARING CONE LM-67048		
8.	815-243C	HUB 5-BOLT W/CUPS/STUDS		
9.	816-497C	SEAL 1.75ID CR17617		
10.	805-246C	PIN COTTER 5/32 X 1 3/4 LG		
11.	814-265C	TIRE & WHL LAM. 6X9X21(5-BOLT)		
12.	814-285C	AC TIRE 24 X 7.7 2PC. 5-BOLT		
13.	814-288C	AC TIRE FF 24X7.7 2PC 5-BOLT		
14.	814-284C	WHEEL 15 X 5 X 5 BOLT		
15.	318-623H	WLDMT. STD. CENTER AXLE		
16.	815-240C	SPINDLE-DUAL BOLT-ON		
17.	802-099C	HHCS 1/2-13X3 1/4 GR5		
18.	803-019C	NUT LOCK 1/2-13 PLT		
19.	814-295C	TIRE 24X7.7-14 (814-285C)		
20.	814-297C	TUBE FOR 24X7.7-14 (814-285C)		
21.	814-296C	RIM 2PC 5BLT 10X6		
22.	803-310C	NUT HEX 1/2-20 X 5/8 HIGH		
23.	802-779C	HUB STUD 1/2-20X1.88 GR5		
24.	800-080C	GREASE ZERK 1/4-28 THD FORMING		
25.	822-020C	BEARING CUP LM-67010		
26.	890-766C	BUSHING 1.25ODX1.00IDX3.00		
27.	827-001C	SPACER 1/2		
28.	822-033C	BEARING CUP LM-48510		
29.	822-034C	BEARING CONE LM-48548		
30.	802-017C	NUT LUG 1/2-20X90DEG PLT 13/16		
31.	805-146C	PIN ROLL 1/4 X 2 LG PL		
32.	318-313H	WELDMENT CHAIN ATTACH		
33.	806-026C	U-BOLT 1/2-13 X 7 1/32 X 8 1/4		
34.	803-263C	NUT HEX FLANGE LOCK 5/8-11 PLT		

Axle Tandem Center Deck (S/N 419602 to 489025)

Applies to RCB6010, RCB6015



22084

Axle Tandem Center Deck (S/N 419602 to 489025)**Applies to RCB6010, RCB6015**

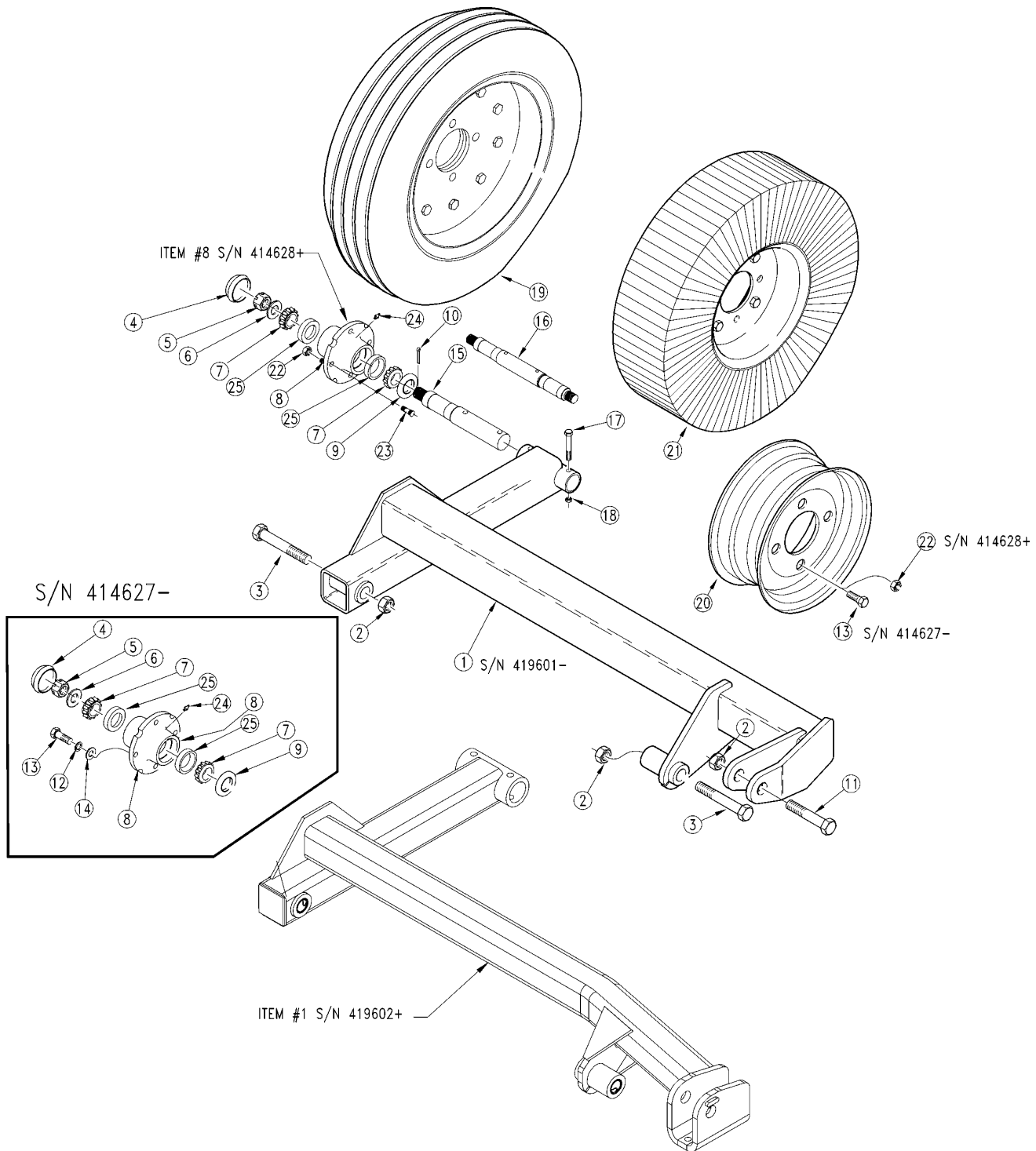
Ref	Part No.	Part Description	Comments	Revision
	dwg22084	Drawing Image Number		
1.	200-001D	HUB GREASE CAP		
2.	318-571H	WLDMT. CENTER AXLE		
3.	318-573H	WLDMT. TANDEM ARM		
4.	318-855H	WLDMT. PVT. PIN WALKING TANDEM	Optional	
5.	800-001C	GREASE ZERK STRAIGHT 1/4-28		
6.	802-357C	HHCS 1-8X6 GR5		
7.	802-099C	HHCS 1/2-13X3 1/4 GR5		
8.	802-110C	HHCS 1-8X9 GR5		
9.	802-135C	HUB STUD 1/2-20X1 5/8 GR5		
10.	802-205C	HHCS 1-8X5 1/2 GR5		
11.	803-019C	NUT LOCK 1/2-13 PLT		
12.	803-029C	NUT HEX SLOTTED 7/8-14 PLT		
13.	803-168C	NUT HEX TOP LOCK 1-8 PLT		
14.	803-308C	NUT HEX FLG/LK 1/2-20 PLT.GR.G		
15.	804-029C	WASHER FLAT 1 SAE	Optional	
16.	804-055C	WASHER SPINDLE - 7/8		
17.	805-016C	PIN COTTER 3/16 X 1 1/4 PLT		
18.	805-146C	PIN ROLL 1/4 X 2 LG PL	Optional	
19.	814-059C	TIRE & WHEEL LAM. 6X9X21 (TALL)		
20.	814-262C	AC TIRE 24 x 7.7 2PC FOAM FILL		
21.	814-263C	AC TIRE 24 X 7.7 2PC		
22.	814-266C	TIRE 24X7.7-14 (814-263C)		
23.	814-267C	RIM 2PC. 4BLT 10X6 BLACK		
24.	814-268C	TUBE FOR 24X7.7-14 (814-263C)		
25.	815-199C	SPINDLE - SINGLE BOLT ON 14IN		
26.	815-230C	HUB 4 BLT W/CUPS, ZERK & STUDS	W/CUPS, ZERK & STUDS	
27.	816-098C	SEAL 1 3/8 ID X 2.441 OD X.313		
28.	822-091C	BEARING CONE 15123		
29.	822-092C	BEARING CUP 15245		
30.	827-001C	SPACER 1/2		
31.	890-766C	BUSHING 1.25ODX1.00IDX3.00		
32.	890-817C	BUSHING 1.25ODX1.00IDX3.75		

Axle Tandem Center Deck (S/N 489026+)**Applies to RCB6010, RCB6015**

Ref	Part No.	Part Description	Comments	Revision
	dwg23964	Drawing Image Number		
1.	200-001D	HUB GREASE CAP		
2.	318-571H	WLDMT. CENTER AXLE	Added Hardened Bushings	
3.	318-573H	WLDMT. TANDEM ARM		
4.	318-966H	WLDMT. PVT. PIN WALKING TANDEM	Optional	
5.	800-080C	GREASE ZERK 1/4-28 THD FORMING	Optional W/ #4	
6.	802-075C	HHCS 1-8X7 GR5		
7.	802-099C	HHCS 1/2-13X3 1/4 GR5		
8.	802-110C	HHCS 1-8X9 GR5		
9.	802-779C	HUB STUD 1/2-20X1.88 GR5		
10.	802-205C	HHCS 1-8X5 1/2 GR5		
11.	803-019C	NUT LOCK 1/2-13 PLT		
12.	803-053C	NUT HEX SLOTTED 3/4-16		
13.	803-168C	NUT HEX TOP LOCK 1-8 PLT		
14.	803-310C	NUT HEX 1/2-20 X 5/8 HIGH		
15.	804-029C	WASHER FLAT 1 SAE	Optional	
16.	804-216C	WASHER HARDENED .81ID		
17.	805-246C	PIN COTTER 5/32 X 1 3/4 LG		
18.	805-146C	PIN ROLL 1/4 X 2 LG PL	Optional	
19.	814-265C	TIRE & WHL LAM. 6X9X21(5-BOLT)		
20.	814-288C	AC TIRE FF 24X7.7 2PC 5-BOLT		
21.	814-285C	AC TIRE 24 X 7.7 2PC. 5-BOLT		
22.	814-266C	TIRE 24X7.7-14 (814-263C)		
23.	814-267C	RIM 2PC. 4BLT 10X6 BLACK		
24.	814-268C	TUBE FOR 24X7.7-14 (814-263C)		
25.	815-241C	SPINDLE-SINGLE BOLT-ON		
26.	815-243C	HUB 5-BOLT W/CUPS/STUDS		
27.	816-497C	SEAL 1.75ID CR17617		
28.	822-034C	BEARING CONE LM-48548		
29.	822-033C	BEARING CUP LM-48510		
30.	827-001C	SPACER 1/2		
31.	890-005C	BUSHING CYL 1 1/4 X 1 X 1		
32.	890-766C	BUSHING 1.25ODX1.00IDX3.00		
33.	890-817C	BUSHING 1.25ODX1.00IDX3.75	S/N 563872- Replace W/ 2 ea. 890-005C	
34.	822-021C	BEARING CONE LM-67048		
35.	822-020C	BEARING CUP LM-67010		
36.	890-005C	BUSHING CYL 1 1/4 X 1 X 1	S/N 563873+	

Axle Wing Deck (S/N 489025-)

Applies to RCB6010, RCB6015

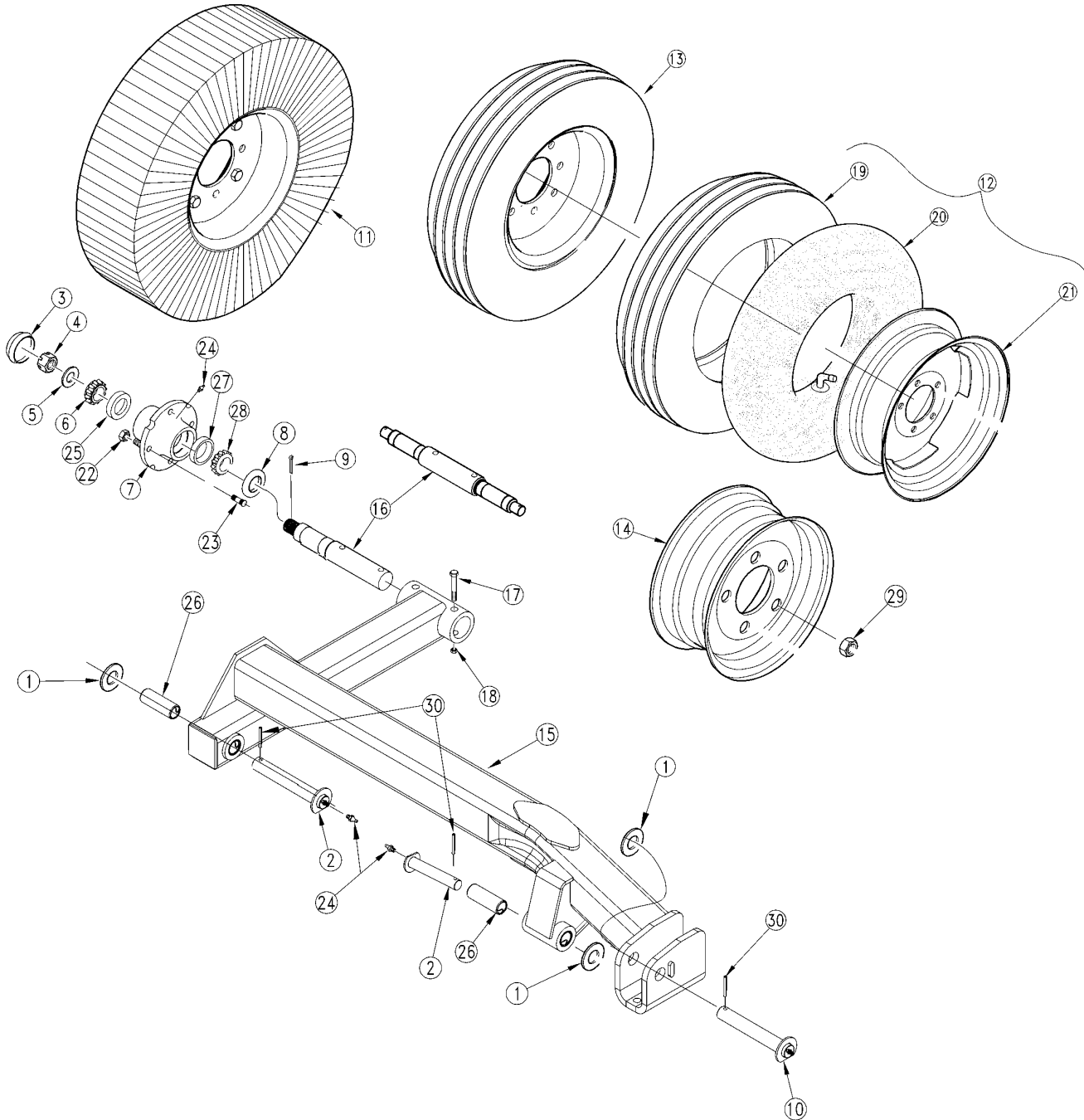


Axle Wing Deck (S/N 489025-)**Applies to RCB6010, RCB6015**

Ref	Part No.	Part Description	Comments	Revision
	dwg18314	Drawing Image Number		
	318-050L	ASSY. RH. AXLE	Includes items 2 through 15	
	318-051L	ASSY. LH. AXLE	Includes items 1 and 3 through 15	
1.	318-583H	WLDMT. WING AXLE LH.	(S/N 419602+)	Rev. 2 not compat. w/Rev. 1.
1.	318-190H	WLDMT. WING AXLE LH	(S/N 419601-)	Rev. 1
1.	318-576H	WLDMT. WING AXLE RH.	(S/N 419602+)	Rev. 2 not compat. w/Rev. 1.
1.	318-189H	WLDMT. WING AXLE RH	(S/N 419601-)	Rev. 1
2.	803-168C	NUT HEX TOP LOCK 1-8 PLT		
3.	802-357C	HHCS 1-8X6 GR5		
4.	200-001D	HUB GREASE CAP		
5.	803-029C	NUT HEX SLOTTED 7/8-14 PLT		
6.	804-055C	WASHER SPINDLE - 7/8		
7.	822-091C	BEARING CONE 15123		
8.	815-230C	HUB 4 BLT W/CUPS, ZERK & STUDS	(S/N 414628+) W/CUPS, ZERK & STUDS	Rev. 2
8.	815-093C	HUB 4 BOLT WHL W/CUPS & ZERK	(S/N 414627-) W/CUPS & ZERK	Rev. 1
9.	816-098C	SEAL 1 3/8 ID X 2.441 OD X.313		
10.	805-016C	PIN COTTER 3/16 X 1 1/4 PLT		
11.	802-073C	HHCS 1-8X4 GR5		
12.	804-015C	WASHER LOCK SPRING 1/2 PLT	Use with 19 & 21 S/N 414627-	
13.	802-240C	HHCS 1/2-20X1 GR5	Use with 19 & 21 S/N 414627-	
13.	802-104C	BOLT WHEEL 1/2-20X1 90-DEG	Use with 20 S/N 414627-	
14.	804-016C	WASHER FLAT 1/2 SAE PLT	Use with 19 & 21 S/N 414627-	
15.	815-108C	SPINDLE - SINGLE AXLE BOLT ON		
16.	815-109C	SPINDLE - DUAL AXLE BOLT ON		
17.	802-099C	HHCS 1/2-13X3 1/4 GR5		
18.	803-019C	NUT LOCK 1/2-13 PLT		
19.	814-263C	AC TIRE 24 X 7.7 2PC	(S/N 419602+)	Rev. 3
19.	814-201C	AC TIRE 27x7.75x15 MOUNTED	(S/N 419601-)	Rev. 2
19.	814-086C	TIRE 25.5 X 8.0-14 - MOUNTED	(S/N 419601-)	Rev. 1
19.	814-262C	AC TIRE 24 x 7.7 2PC FOAM FILL	(S/N 419602+)	Rev. 3
19.	814-202C	AC TIRE 27X7.75X15 MOUNTED FF	(S/N 419601-)	Rev. 2
19.	814-189C	TIRE 25.5 X 8.0-14 - AIR/FOAM	(S/N 419601-)	Rev. 1
20.	814-066C	WHEEL 15 X 5 X 4 BOLT		
21.	814-059C	TIRE & WHEEL LAM. 6X9X21(TALL)		
22.	803-308C	NUT HEX FLG/LK 1/2-20 PLT.GR.G	Use with 19 & 21 S/N 414628+	
22.	803-017C	NUT LUG 1/2-20X90DEG PLT 13/16	Use with 20 S/N 414628+	
23.	802-135C	HUB STUD 1/2-20X1 5/8 GR5		
24.	800-001C	GREASE ZERK STRAIGHT 1/4-28		
25.	822-092C	BEARING CUP 15245		

Axle Wing Deck (S/N 489026+)

Applies to RCB6010, RCB6015



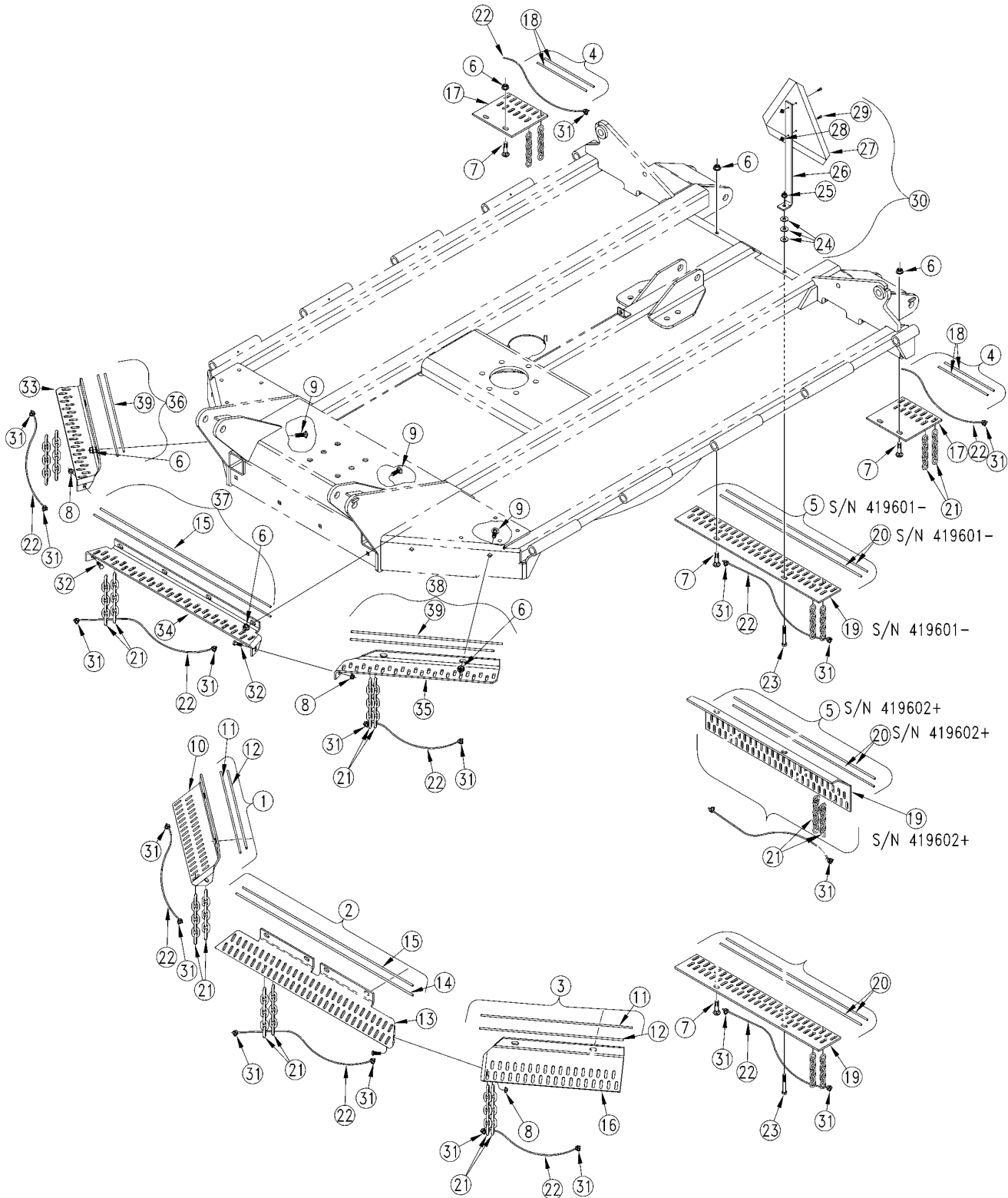
24522

Axle Wing Deck (S/N 489026+)**Applies to RCB6010, RCB6015**

Ref	Part No.	Part Description	Comments	Revision
	dwg24522	Drawing Image Number		
1.	804-029C	WASHER FLAT 1 SAE		
2.	318-852H	WLDMT. PVT. PIN WG. AXLE		
3.	200-001D	HUB GREASE CAP		
4.	803-053C	NUT HEX SLOTTED 3/4-16		
5.	804-216C	WASHER HARDENED .81ID		
6.	822-021C	BEARING CONE LM-67048		
7.	815-243C	HUB 5-BOLT W/CUPS/STUDS		
8.	816-497C	SEAL 1.75ID CR17617		
9.	805-246C	PIN COTTER 5/32 X 1 3/4 LG		
10.	318-853H	WLDMT. PVT. PIN TURNBUCKLE		
11.	814-265C	TIRE & WHL LAM. 6X9X21(5-BOLT)		
12.	814-285C	AC TIRE 24 X 7.7 2PC. 5-BOLT		
13.	814-288C	AC TIRE FF 24X7.7 2PC 5-BOLT		
14.	814-284C	WHEEL 15 X 5 X 5 BOLT		
15.	318-576H	WLDMT. WING AXLE RH. HAND		
15.	318-583H	WLDMT. WING AXLE LH. HAND		
16.	815-237C	SPINDLE-SINGLE BOLT-ON		
16.	815-238C	SPINDLE-DUAL BOLT-ON		
17.	802-099C	HHCS 1/2-13X3 1/4 GR5		
18.	803-019C	NUT LOCK 1/2-13 PLT		
19.	814-295C	TIRE 24X7.7-14 (814-285C)		
20.	814-297C	TUBE FOR 24X7.7-14 (814-285C)		
21.	814-296C	RIM 2PC 5BLT 10X6		
22.	803-310C	NUT HEX 1/2-20 X 5/8 HIGH		
23.	802-779C	HUB STUD 1/2-20X1.88 GR5		
24.	800-080C	GREASE ZERK 1/4-28 THD FORMING		
25.	822-020C	BEARING CUP LM-67010		
26.	890-819C	BUSHING 1.25ODX1.00IDX3.50		
27.	822-033C	BEARING CUP LM-48510		
28.	822-034C	BEARING CONE LM-48548		
29.	802-017C	NUT LUG 1/2-20X90DEG PLT 13/16		
30.	805-146C	PIN ROLL 1/4 X 2 LG PL		

Guards Center Deck

Applies to RCB6010, RCB6015



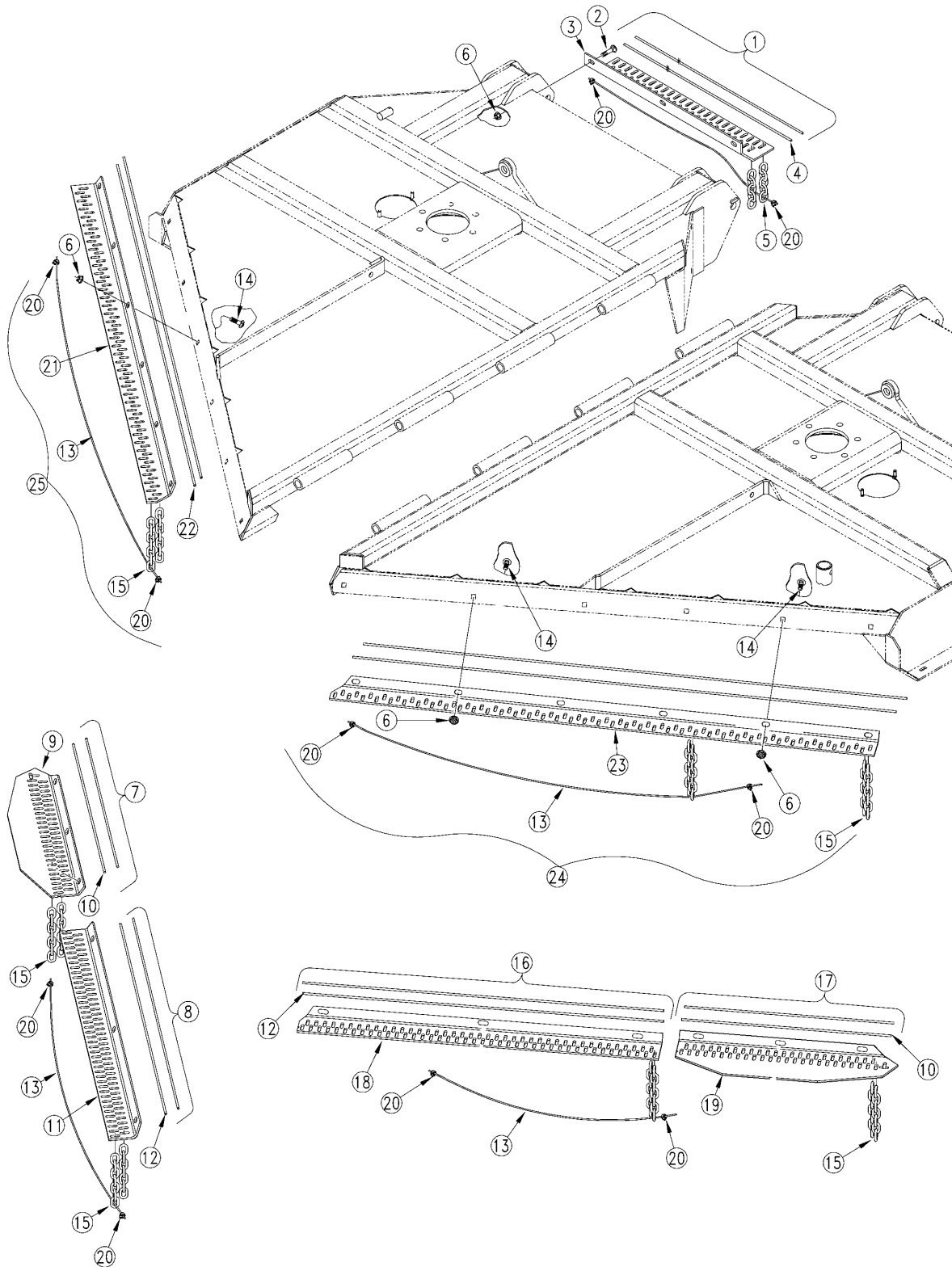
18315

Guards Center Deck**Applies to RCB6010, RCB6015**

Ref	Part No.	Part Description	Comments	Revision
	dwg18315	Drawing Image Number		
1.	318-273K	DBL.CG.FRT.CTR.RH.W/CABLE	(S/N 292791-)	
1.	318-066K	ASSY. DBL.CG.FRT.CTR. RH.OUTER	(S/N 292791-)	
2.	318-272K	DBL.CG.FRT.CTR.W/CABLE	(S/N 292791-)	
2.	318-065K	ASSY. DBL.CG.FRT.CTR	(S/N 292791-)	
3.	318-274K	DBL.CG.FRT.CTR.LH.W/CABLE	(S/N 292791-)	
3.	318-097K	ASSY. DBL.CG.FRT.CTR. LH.OUTER	(S/N 292791-)	
4.	318-071K	ASSY. CG. REAR CENTER OUTER	(S/N 419601-)	
4.	318-285K	DBL. CG. REAR CTR.OUT.W/CABLE		
5.	318-633K	ASSY. DBL. REAR CG. CTR.	(S/N 419602+)	Rev. 2 not compat. w/Rev. 1.
5.	318-070K	ASSY. CG. REAR CENTER	(S/N 419601-)	Rev. 1
5.	318-286K	DBL. CG. REAR WING W/CABLE	(S/N 419602+)	Rev. 2 not compat. w/Rev. 1.
5.	318-284K	DBL. CG. REAR CENTER W/CABLE	(S/N 419601-)	Rev. 1
6.	803-037C	NUT HEX WHIZ 1/2-13 PLT		
7.	802-585C	RHSNB 1/2-13X3 1/2 GR5 PLT		
8.	803-198C	NUT HEX WHIZ 3/8-16 PLT		
9.	802-214C	RHSNB 1/2-13X1 1/4 GR5		
10.	318-117D	CG. FRONT CENTER DUAL RH.	(S/N 292791-)	
11.	318-142D	ROUND ROD 1/4 X 21	(S/N 292791-)	
12.	318-141D	ROUND ROD 1/4 X 19	(S/N 292791-)	
13.	318-116D	CG. FRONT CENTER DUAL	(S/N 292791-)	
14.	318-108D	ROUND ROD 1/4 X 36	(S/N 292791-)	
15.	318-143D	ROUND ROD 1/4 X 34		
16.	318-124D	CG. FRONT CENTER DUAL LH.	(S/N 292791-)	
17.	318-122D	CG. CENTER REAR OUTER DUAL		
18.	318-105D	ROUND ROD 1/4 X 10		
19.	318-123D	CG. WING REAR DUAL	(S/N 419602+)	Rev. 2 not compat. w/Rev. 1.
19.	318-121D	CG. CENTER REAR DUAL	(S/N 419601-)	Rev. 1
20.	318-620D	ROUND ROD .25 X 66.5	(S/N 419602+)	Rev. 2
20.	318-107D	ROUND ROD 1/4 X 31 1/2	(S/N 419601-)	Rev. 1
21.	890-393C	CHAIN WELD 5/16 PROOF X 7-LINK		
21.	890-175C	CHAIN 5/16 PROOF X 6 LINKS PLT		
22.	990-208R	AIRCRAFT CBL.3/16 7X7 GALV.		
23.	802-042C	HHCS 1/2-13X3 3/4 GR5		
24.	804-100C	WASHER 3/4 X 17/32 X 18 GA PLT		
25.	803-037C	NUT HEX WHIZ 1/2-13 PLT		
26.	318-310D	SMV BRACKET		
27.	818-055C	DECAL SLOW MOVING-GALV. BACKED		
28.	803-088C	NUT HEX LOCK 1/4-20 FLG		
29.	801-018C	SCREW RD HD 1/4-20 X 5/8		
30.	318-304L	ASSY. SLOW MOVING VEHICLE		
31.	890-672C	U-BOLT WIRE ROPE CLP 3/16 GAL.		
32.	802-017C	HHCS 3/8-16X1 GR5		
33.	318-340D	RC5015 CEN FRONT DBLCHAIN RH	(S/N 292792+)	
34.	318-339D	RC5015 CEN SECT FRNT DBL CHAIN	(S/N 292792+)	
35.	318-341D	RC5015 CEN FRONT DBLCHAIN LH	(S/N 292792+)	
36.	318-330K	ASSY/DBL/CG/FRT/CTR/RH/CABLE	(S/N 292792+) With cable	
36.	318-325K	ASSY. DBL. CG. FRT. CTR. RH.	(S/N 292792+) Without cable	
37.	318-329K	ASSY/DBL/CG/FRT/CTR/CABLE	(S/N 292792+) With cable	
37.	318-324K	ASSY. DBL. CG. FRT. CTR.	(S/N 292792+) Without cable	
38.	318-331K	ASSY/DBL/CG/FRT/CTR/LH/CABLE	(S/N 292792+) With cable	
38.	318-326K	ASSY. DBL. CG. FRT. CTR. LH.	(S/N 292792+) Without cable	
39.	318-337D	ROUND ROD 1/4 X 25	(S/N 292792+)	

Guards Wing Deck

Applies to RCB6010, RCB6015



18316

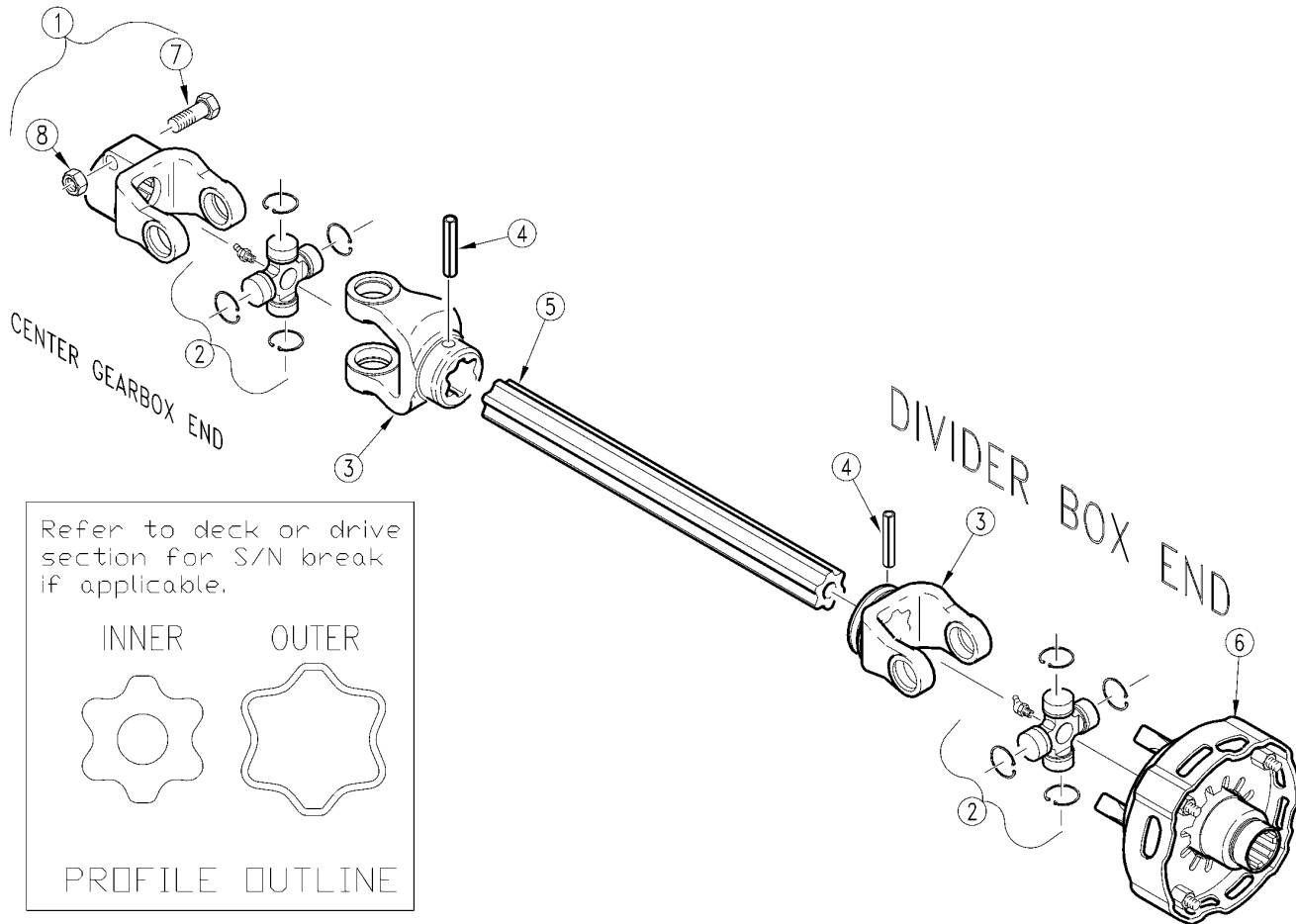
Guards Wing Deck

Applies to RCB6010, RCB6015

Ref	Part No.	Part Description	Comments	Revision
	dwg18316	Drawing Image Number		
1.	318-072K	ASSY. CG. REAR WING	Includes items 2 through 6	
1.	318-286K	DBL. CG. REAR WING W/CABLE	Includes items 2 through 6 & 20	
2.	802-106C	RHSNB 1/2-13X1 1/2 GR5		
3.	318-123D	CG. WING REAR DUAL		
4.	318-107D	ROUND ROD 1/4 X 31 1/2		
5.	890-341C	CHAIN WELD 5/16 PROOF X 5 LINK		
6.	803-037C	NUT HEX WHIZ 1/2-13 PLT		
7.	318-276K	DBL.CG.FRT.OUT.RH.WING W/CABLE	(S/N 292791-)	
7.	318-068K	ASSY. DBL.CG.FRT.WING OUT.RH.	(S/N 292791-)	
8.	318-275K	DBL.CG.FRT.IN.RH.WING W/CABLE	(S/N 292791-)	
8.	318-172K	ASSY. DBL.CG.FRT.WING INNER RH	(S/N 292791-)	
9.	318-119D	CG. FRONT WING OUTER RH. DUAL	(S/N 292791-)	
10.	318-106D	ROUND ROD 1/4 X 28 1/2	(S/N 292791-)	
11.	318-183D	CG. FRONT WING INNER DUAL RH	(S/N 292791-)	
12.	318-109D	ROUND ROD 1/4 X 49	(S/N 292791-)	
13.	990-208R	AIRCRAFT CBL.3/16 7X7 GALV.		
14.	802-214C	RHSNB 1/2-13X1 1/4 GR5		
15.	890-393C	CHAIN WELD 5/16 PROOF X 7-LINK		
16.	318-277K	DBL.CG.FRT.IN.LH.WING W/CABLE	(S/N 292791-)	
16.	318-174K	ASSY. DBL CG. FRT. WG. INNR LH	(S/N 292791-)	
17.	318-278K	DBL.CG.FRT.OUT.LH.WING W/CABLE	(S/N 292791-)	
17.	318-069K	ASSY. DBL.CG.FRT.WING OUT.LH.	(S/N 292791-)	
18.	318-184D	CG. FRONT WING INNER DUAL LH	(S/N 292791-)	
19.	318-120D	CG. FRONT WING OUTER LH. DUAL	(S/N 292791-)	
20.	890-672C	U-BOLT WIRE ROPE CLP 3/16 GAL.		
21.	318-342D	RC5015 WING FRONT DBLCHAIN RH	(S/N 292792+)	
22.	318-336D	ROUND ROD 1/4 X 73	(S/N 292792+)	
23.	318-343D	RC5015 WING FRONT DBLCHAIN LH	(S/N 292792+)	
24.	318-333K	ASSY/DBL/CG/FRT/WING/LH/CABLE	(S/N 292792+) With cable	
24.	318-328K	ASSY. DBL. CG. FRT. WING LH.	(S/N 292792+)	
25.	318-332K	ASSY/DBL/CG/FRT/WING/RH/CABLE	(S/N 292792+) With cable	
25.	318-327K	ASSY. DBL. CG. FRT. WING RH.	(S/N 292792+) With cable	

Driveline Center (826-260C) Walterscheid

Applies to RCB6010, RCB6015



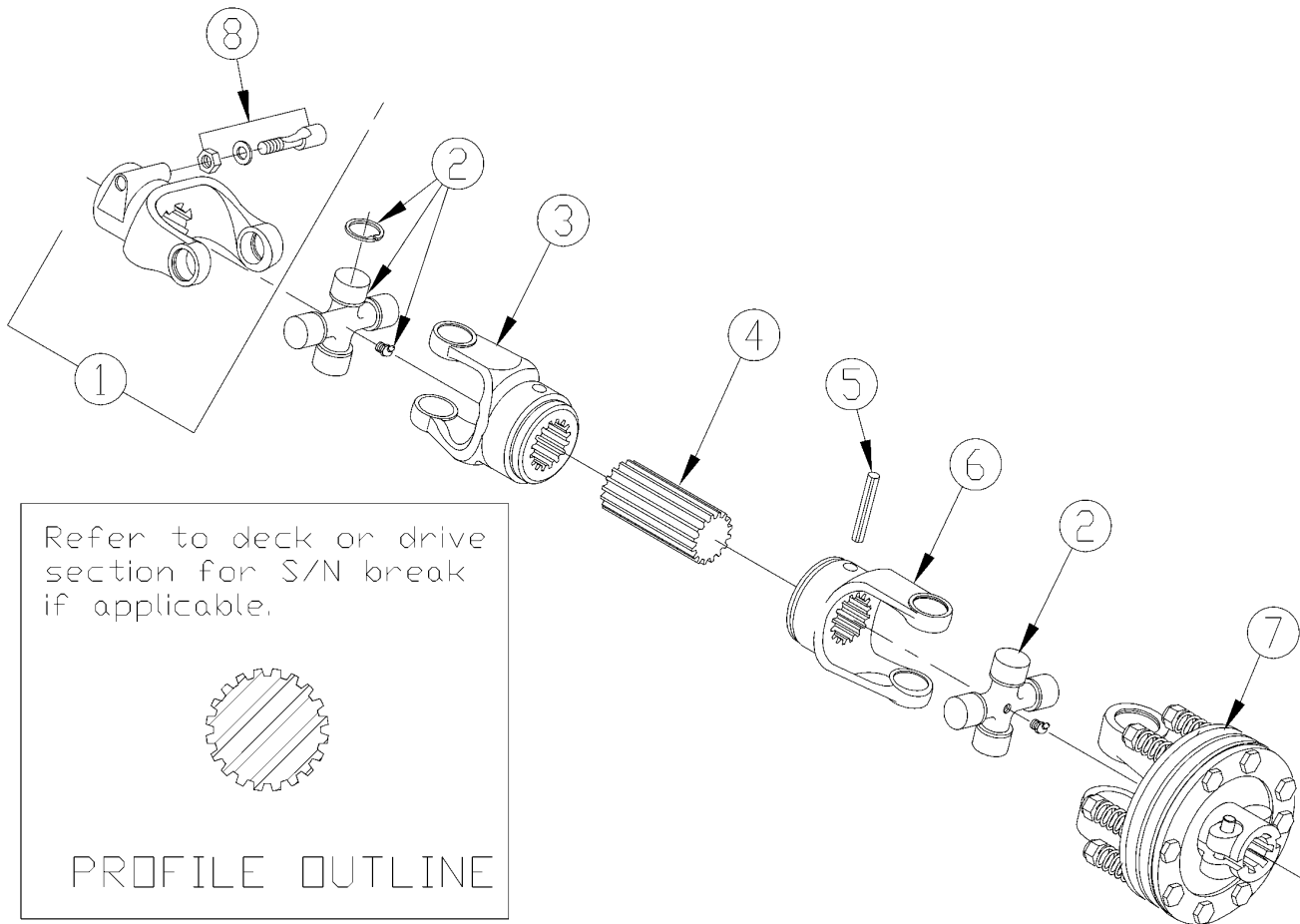
16965

Driveline Center (826-260C) Walterscheid**Applies to RCB6010, RCB6015**

Ref	Part No.	Part Description	Comments	Revision
	dwg16965	Drawing Image Number		
	826-260C	PTO INT. W2500/WSC CAT5 540		
1.	325027	WS YOKE 1 3/4-20 SPL.I.C. 2500		
2.	312209	WS CROSS & BEARING KIT 2500		
3.	097140	WS INBOARD YOKE 2500		
4.	304046	WS SPRING PIN 10 X 90		
5.	391709	WS OUTER PROFILE S5		
6.	391708	WS FRICTION CLUTCH 540RPM3		
7.	702352	WS HEX BOLT M16 X 90 GR 8.8		
8.	304011	WS LOCK NUT M16		

Driveline Center (826-478C) Comer (S/N 461935 to 461937, 468573+)

Applies to RCB6010, RCB6015

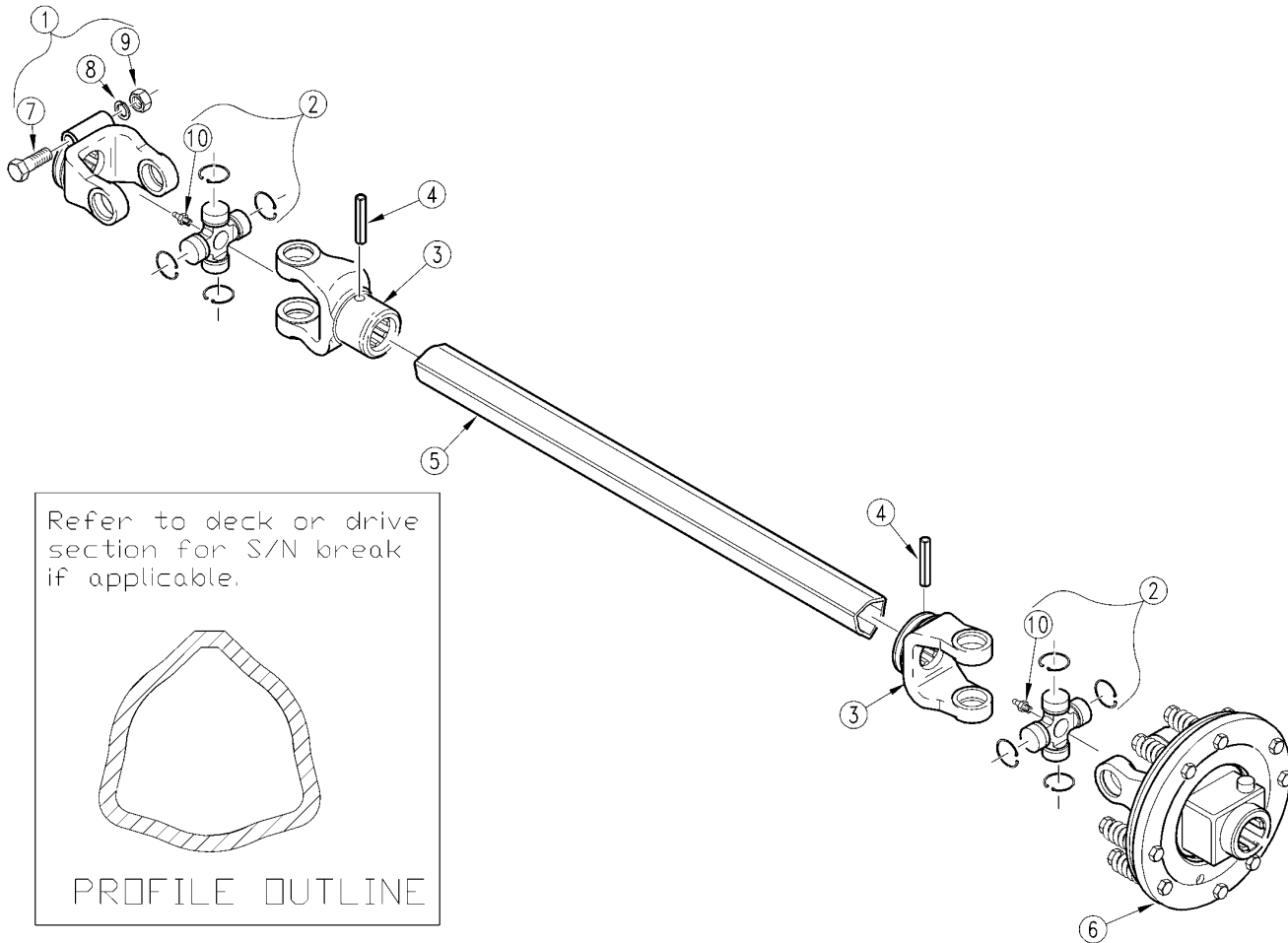


Driveline Center (826-478C) Comer (S/N 461935 to 461937, 468573+)**Applies to RCB6010, RCB6015**

Ref	Part No.	Part Description	Comments	Revision
	dwg23952	Drawing Image Number		
	826-478C	PTO E60 X 21.7 1280NM CLUTCH		
1.	141.026.357.1	COMER YOKE COMPLETE		
2.	180.016.130	COMER CROSS ASSEMBLY		
3.	170.016.630.1	COMER YOKE, OUTER		
4.	155.150.726	COMER SHAFT, SPLINED		
5.	190.000.016	COMER ROLL PIN, INNER TUBE		
6.	151.016.031.1	COMER INNER YOKE		
7.	146.264.024.1	COMER CLUTCH, COMPLETE ASSY		
8.	165.000.589	COMER TAPERED PIN SET 1 3/4		

Driveline Center 540 RPM (826-183C) Eurocardan

Applies to RCB6010, RCB6015



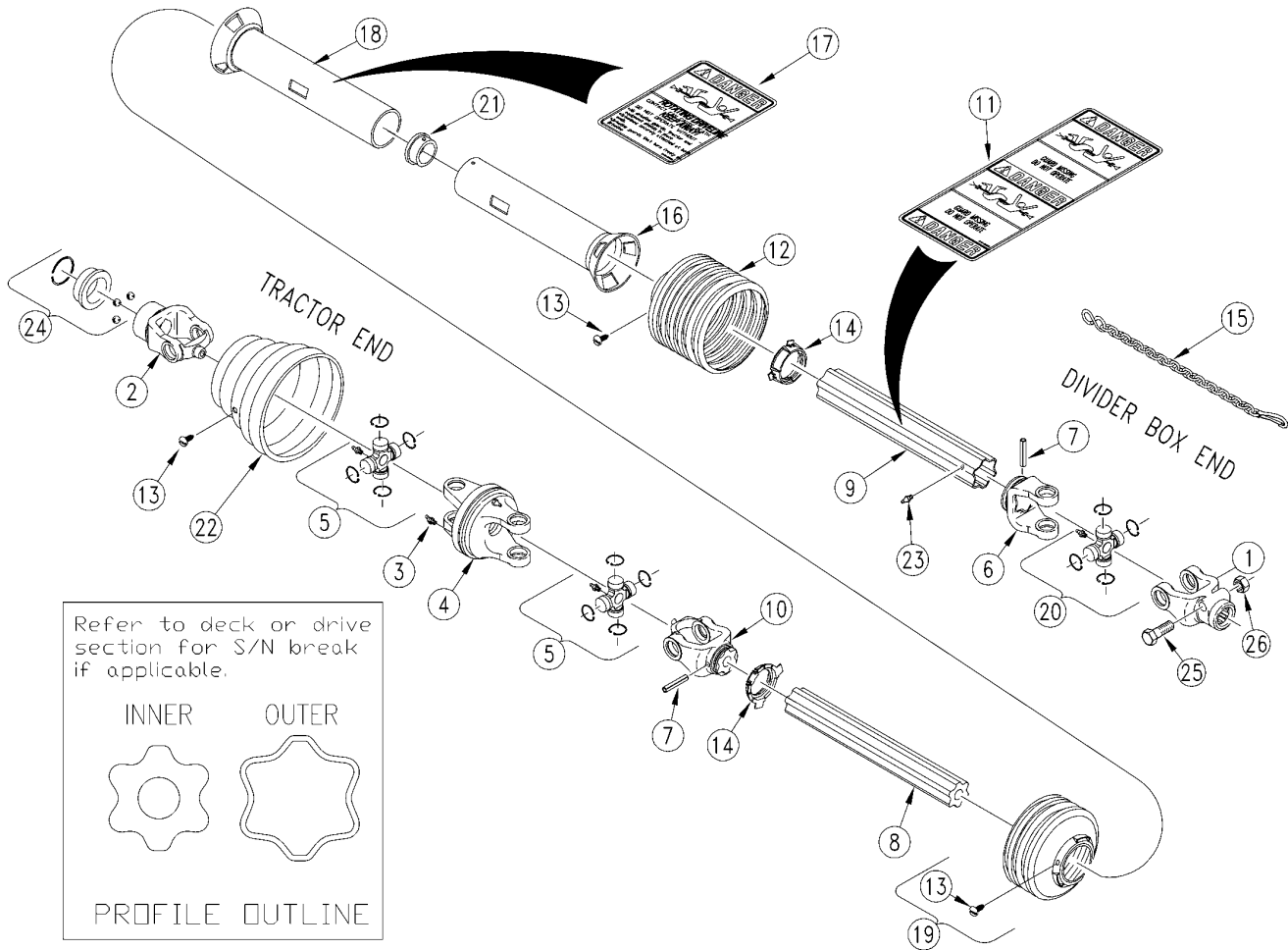
15570

Driveline Center 540 RPM (826-183C) Eurocardan**Applies to RCB6010, RCB6015**

Ref	Part No.	Part Description	Comments	Revision
	dwg15570	Drawing Image Number		
	826-183C	PTO INT. CAT.4 540W/CLUTCH *		
	6761280	EC BOLT ASSY KIT	Includes items 7, 8 & 9	
1.	1106525	YOKE ASSEMBLY (TRACTOR END)		
2.	1006020	CROSS ASSEMBLY		
3.	1706027	OUTER TUBE YOKE		
4.	6331080	10 X 80-DIN-148 ROLL PIN		
5.	1528014D	EC TUBE JACK SHAFT		
5.	1528304	RPBY 1528014D		
6.	1446016	TORQUE LIMITER 4 FRICTION DISC		
7.	6141280	EC.BOLT		
8.	6412112	EC SPRING WASHER		
9.	6410112	EC NUT		
10.	084099	WS ZERK M8 X 1		

Driveline CV (826-117C) Walterschied

Applies to RCB6010, RCB6015

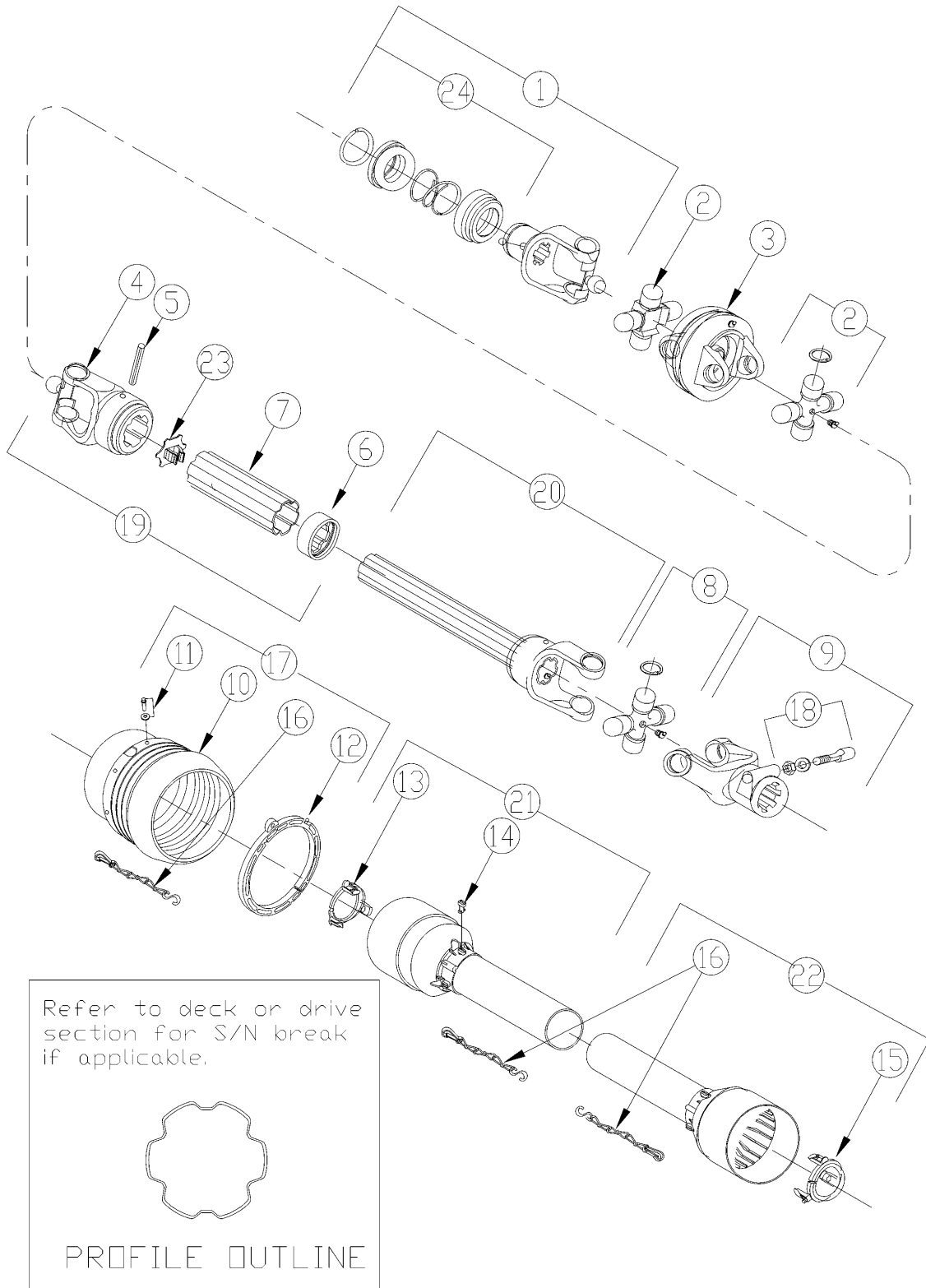


Driveline CV (826-117C) Walterschied**Applies to RCB6010, RCB6015**

Ref	Part No.	Part Description	Comments	Revision
	dwg14067	Drawing Image Number		
	826-117C	PTO CV 2580 X 41.73 NO CLUTCH		
1.	325027	WS YOKE 1 3/4-20 SPL.I.C. 2500		
2.	384303	WS YOKE 1 3/8-6 SPL. ASSY 2500		
3.	020672	WS GREASE ZERK		
4.	365725	WS DOUBLE YOKE 2500		
5.	384316	WS CROSS & BEARING KIT 2500		
6.	097140	WS INBOARD YOKE 2500		
7.	304046	WS SPRING PIN 10 X 90		
8.	355527	WS INNER PROFILE S4GA/S5L		
9.	388141	WS PRFL.& SLEEVE W.A. S4GA/S5L		
10.	377589	WS INBOARD YOKE 2400		
11.	818-540C	DECAL DANGER GUARD MISS PTO		
12.	377442	WS SHIELD CONE - 12 RIB		
13.	365305	WALTERSCHEID SCREW		
14.	087276	WS BEARING RING - SC25		
15.	044321	WALTERSCHEID SAFETY CHAIN		
16.	386561	WS IN SHIELD TUBE ROUND		
17.	818-552C	DECAL DANGER PTO DRIVELINE		
18.	388698	WS OUTER SHIELD TUBE OVAL		
19.	172758	WS SHIELD CONE 3 RIB		
20.	312209	WS CROSS & BEARING KIT 2500		
21.	355155	WS SUPPORT BEARING		
22.	386048	WS CV CONE & BEARING ASSY		
23.	380371	WS ZERK		
24.	364915	WS ASSY COLLAR KIT		
25.	702352	WS HEX BOLT M16 X 90 GR 8.8		
26.	304011	WS LOCK NUT M16		

Driveline CV 540 RPM (826-476C) Comer (S/N 468558 to _____)

Applies to RCB6010, RCB6015



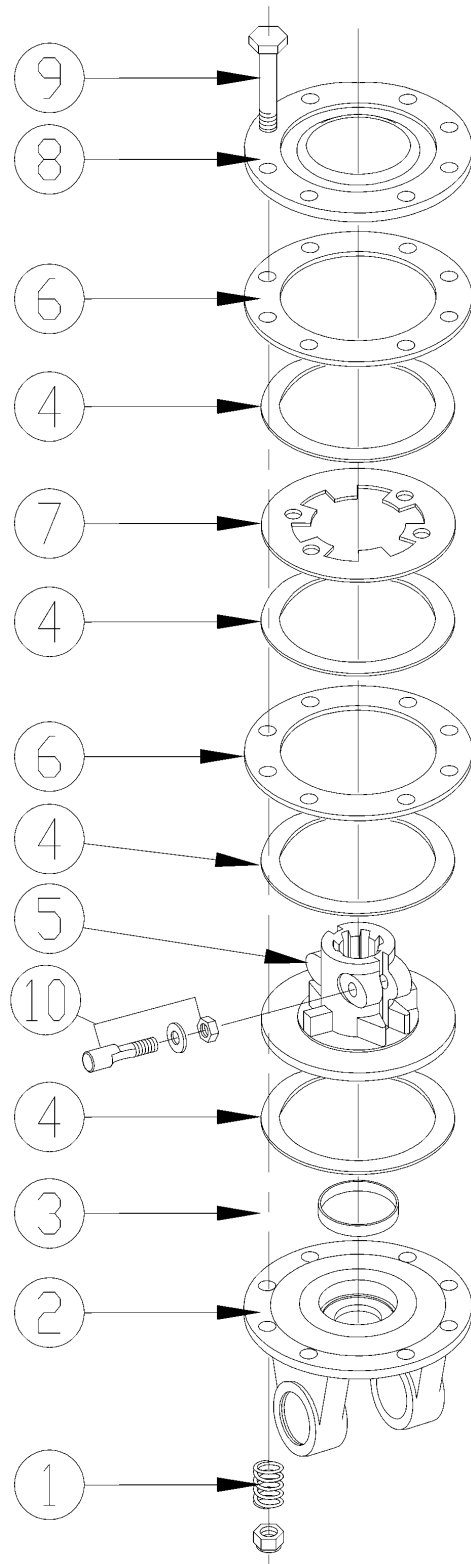
23947

Driveline CV 540 RPM (826-476C) Comer (S/N 468558 to _____)**Applies to RCB6010, RCB6015**

Ref	Part No.	Part Description	Comments	Revision
	dwg23947	Drawing Image Number		
	826-476C	PTO CV V80 X 54.8 NO CLUTCH *		
1.	141.028.358.1	COMER COLLER YOKE ASSEMBLY		
2.	180.018.158	COMER CV -JOINT CROSS ASSEMBLY		
3.	141.028.472.1	COMER WIDE ANGLE DOUBLE YOKE		
4.	141.028.248.1	COMER OUTER YOKE		
5.	190.000.243	COMER OUTER TUBE ROLL PIN		
6.	180.018.437	COMER WIPER		
7.	1522805320710	COMER OUTER TUBE		
8.	180.018.004	COMER CROSS ASSEMBLY		
9.	141.028.195.1	COMER YOKE COMPLETE		
10.	180.018.567	COMER CV JOINT GUARD CONE		
11.	165.000.694	COMER SCREW KIT FOR CV GUARD		
12.	158.018.470	COMER BEARING RING		
13.	180.018.251	COMER RETAINING COLLER INNER		
14.	180.014.240	COMER BOLT		
15.	180.018.252	COMER RETAINING COLLER INNER		
16.	180.016.025	COMER SAFTEY CHAINS		
17.	165.000.785	COMER CONE GUARD ASSEMBLY		
18.	165.000.589	COMER TAPERED PIN SET 1 3/4		
19.	122.981.027.1	COMER TUBE W/YOKE/LUBE/FEMALE		
20.	122.580.510.1	COMER TUBE W/YOKE/LUBE /MALE		
21.	1422831412821	COMER HLF FEMALE GRD W/LABEL		
22.	1422871632821	COMER HALF MALE GUARDING		
23.	180.018.393	COMER CAP OUTER TUBE, PLASTIC		
24.	165.000.628	COMER COLLER KIT 3/8 YOKE		

Driveline Slip Clutch (146.264.024.1) Comer

Applies to RCB6010, RCB6015



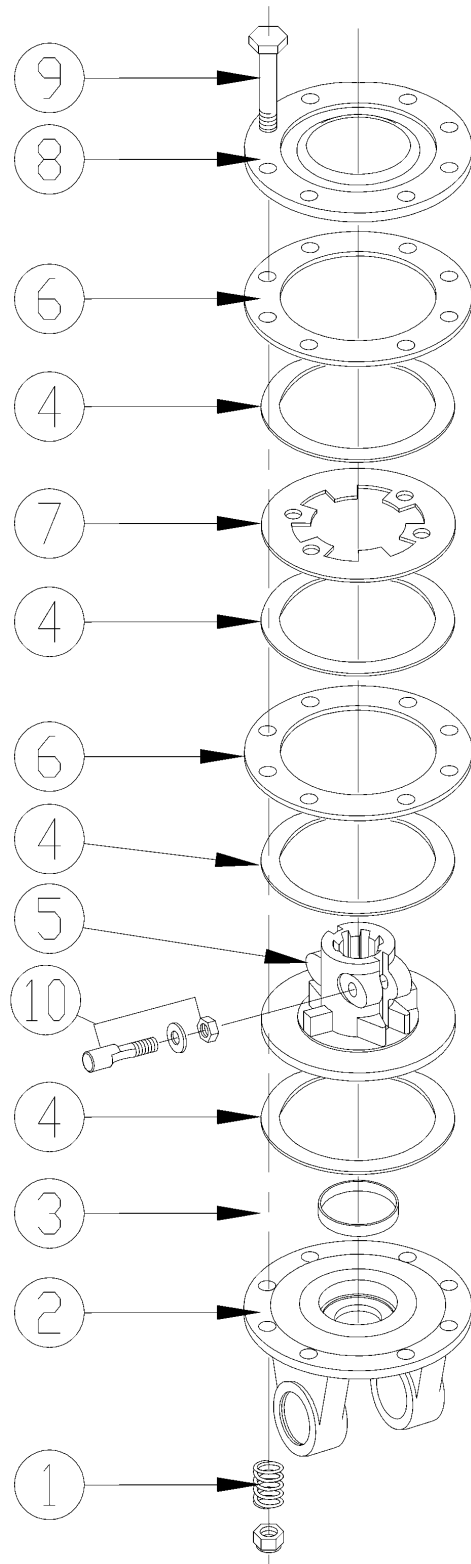
23957

Driveline Slip Clutch (146.264.024.1) Comer**Applies to RCB6010, RCB6015**

Ref	Part No.	Part Description	Comments	Revision
	dwg23957	Drawing Image Number		
	146.264.024.1	COMER CLUTCH, COMPLETE ASSY *		
1.	180.014.022	COMER SPRING		
2.	151.016.037.1	COMER YOKE, FLANGED		
3.	180.019.019	COMER BUSH		
4.	180.019.018	COMER LINING RING		
5.	151.018.228.1	COMER CLUTCH SUPPORT		
6.	180.019.014	COMER INNER PLATE		
7.	180.019.115	COMER INTERMEDIATE PLATE		
8.	180.019.116.1	COMER PRESSURE PLATE		
9.	165.000.548	COMER BOLT WITH NUT M10X100		
10.	165.000.589	COMER TAPERED PIN SET 1 3/4		

Driveline Slip Clutch (146.284.020.1) Comer

Applies to RCB6010, RCB6015



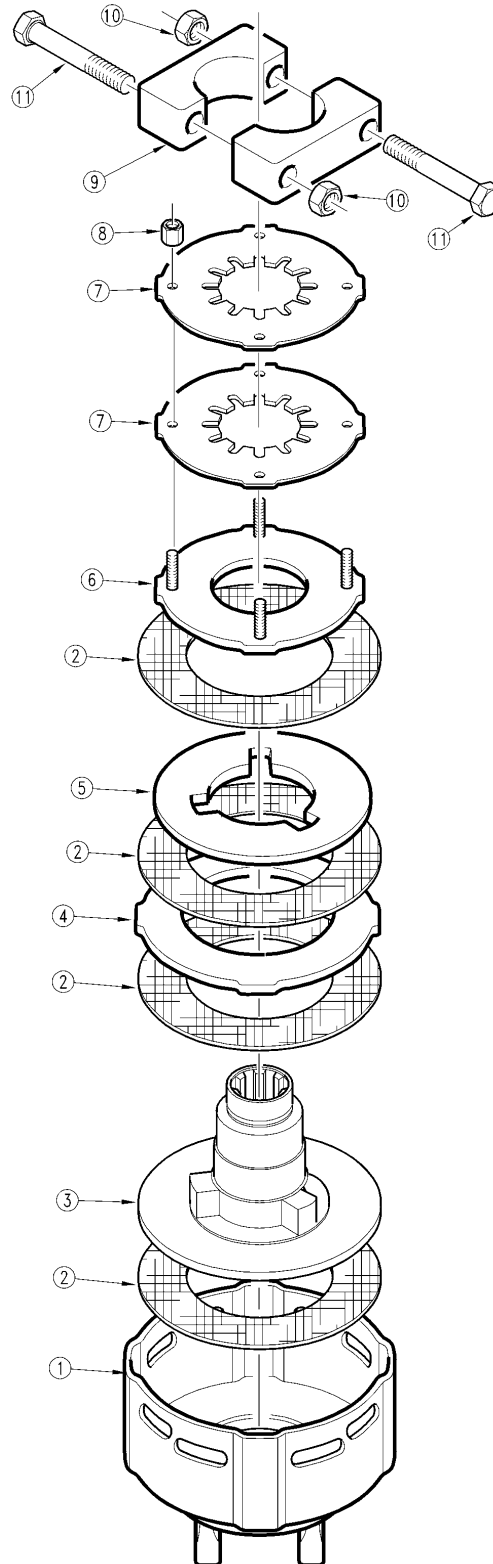
23958

Driveline Slip Clutch (146.284.020.1) Comer**Applies to RCB6010, RCB6015**

Ref	Part No.	Part Description	Comments	Revision
	dwg23958	Drawing Image Number		
	146.284.020.1	COMER CLUTCH, DISC COMPLETE *		
1.	180.014.022	COMER SPRING		
2.	151.018.016.1	COMER YOKE, FLANGED		
3.	180.019.019	COMER BUSH		
4.	180.019.018	COMER LINING RING		
5.	151.018.228.1	COMER CLUTCH SUPPORT		
6.	180.019.014	COMER INNER PLATE		
7.	180.019.115	COMER INTERMEDIATE PLATE		
8.	180.019.116.1	COMER PRESSURE PLATE		
9.	165.000.548	COMER BOLT WITH NUT M10X100		
10.	165.000.589	COMER TAPERED PIN SET 1 3/4		

Driveline Slip Clutch (383805) Walterscheid

Applies to RCB6010, RCB6015



17005

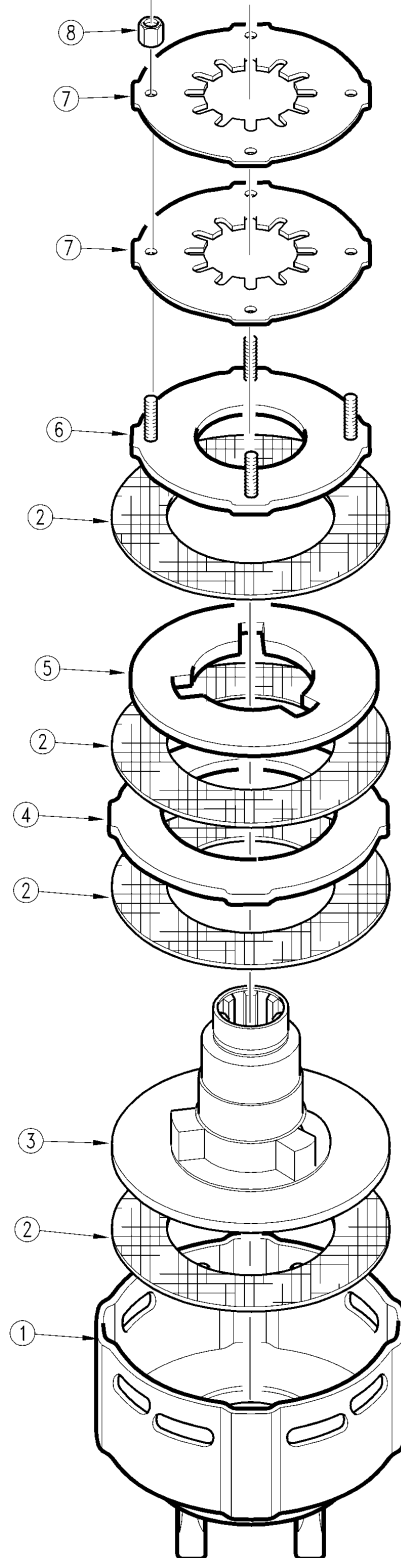
Driveline Slip Clutch (383805) Walterscheid

Applies to RCB6010, RCB6015

Ref	Part No.	Part Description	Comments	Revision
	dwg17005	Drawing Image Number		
	383805	WS FRICTION CLUTCH		
1.	324822	WS CLUTCH HOUSING		
2.	168556	WS FRICTION DISK		
3.	351793	WS HUB 1 3/4"-20 SPL		
4.	042454	WS DRIVE PLATE		
5.	042459	WS DRIVE PLATE		
6.	381495	WS THRUST PLATE		
7.	043489	WS BELLEVILLE SPRING		
8.	381957	WS HEX NUT M8		
9.	186397	WS BRIDGE		
10.	304011	WS LOCK NUT M16		
11.	304065	WS BOLT M16X110 DIN 931-8.8		

Driveline Slip Clutch (391708) Walterscheid

Applies to RCB6010, RCB6015



16947

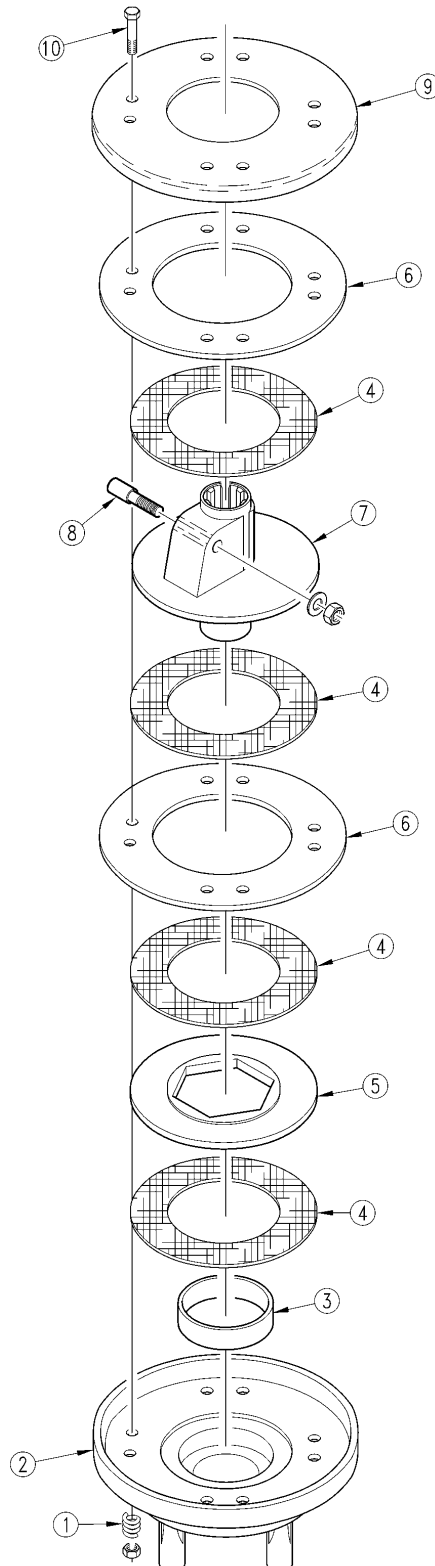
Driveline Slip Clutch (391708) Walterscheid

Applies to RCB6010, RCB6015

Ref	Part No.	Part Description	Comments	Revision
	dwg16916	Drawing Image Number		
	391708	WS FRICTION CLUTCH 540RPM		
1.	324822	WS CLUTCH HOUSING		
2.	168556	WS FRICTION DISK		
3.	391358	WS HUB 1-3/4"-20 SPL		
4.	042454	WS DRIVE PLATE		
5.	042459	WS DRIVE PLATE		
6.	381495	WS THRUST PLATE		
7.	043489	WS BELLEVILLE SPRING		
8.	381957	WS HEX NUT M8		

Driveline Slip Clutch 540/1000 RPM (1446016) EC

Applies to RCB6010, RCB6015



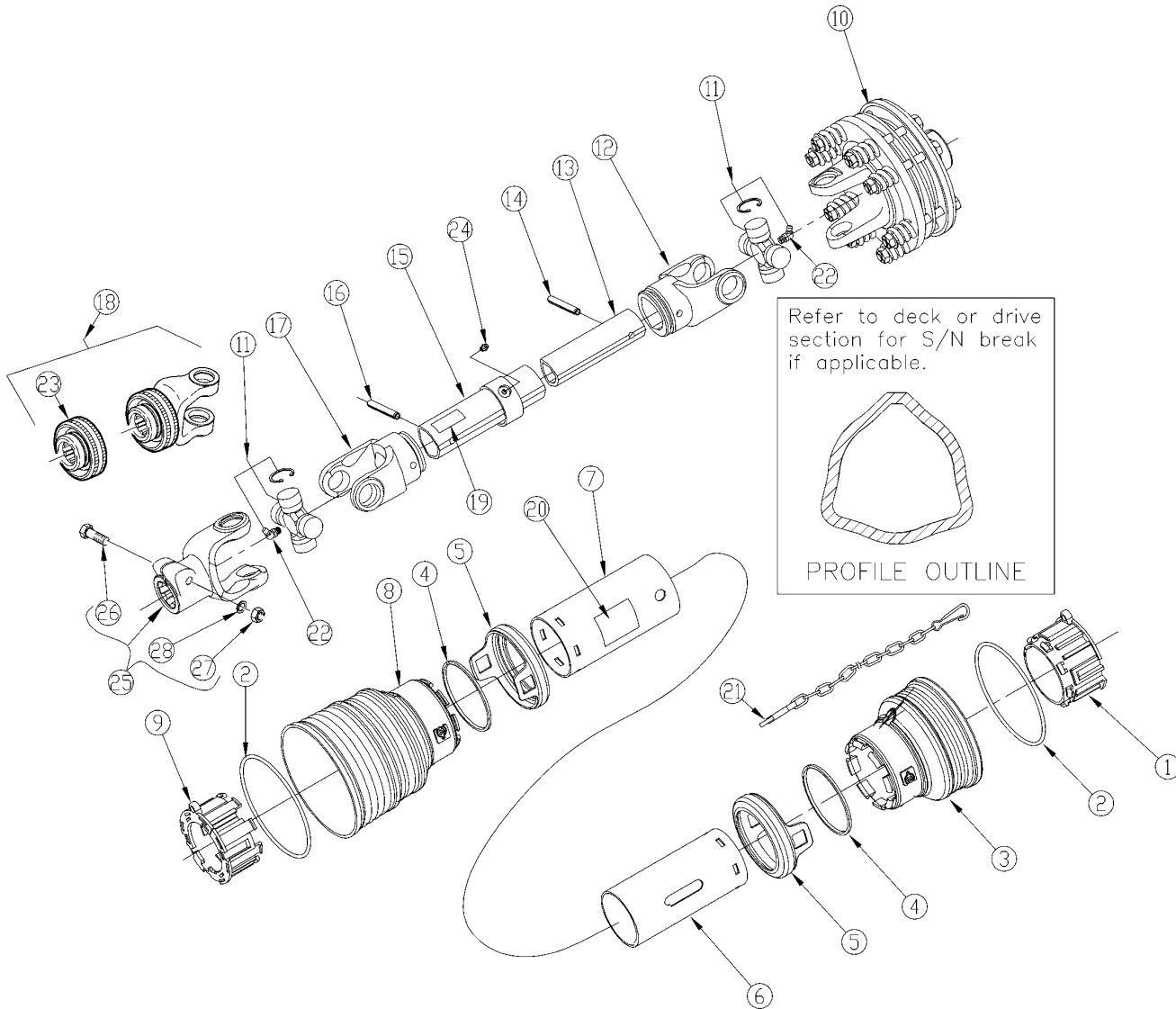
15521

Driveline Slip Clutch 540/1000 RPM (1446016) EC**Applies to RCB6010, RCB6015**

Ref	Part No.	Part Description	Comments	Revision
	dwg15521	Drawing Image Number		
	1446016	EC CLUTCH FD4/6 1 3/4 20 SPL *		
1.	1215012	EC CLUTCH SPRING		
2.	1706033	EC CLUTCH YOKE W/FLANGE		
3.	1705009	EC CLUTCH BUSHING		
4.	1808010	EC CLUTCH LINING RING		
5.	1708034	EC CLUTCH MIDDLE DISK		
6.	1138008	EC INNER DISK		
7.	1708016	EC HUB WITH FLANGE		
8.	6821484	EC CONICAL DOG KIT REPLACEMENT	Includes nut and washer	
9.	1138007	EC PRESSURE DISK		
10.	6691010	EC BOLT & SCREW NUT KIT REPL.		

Driveline Wing (826-185C) EC New Shielding

Applies to RCB6010, RCB6015



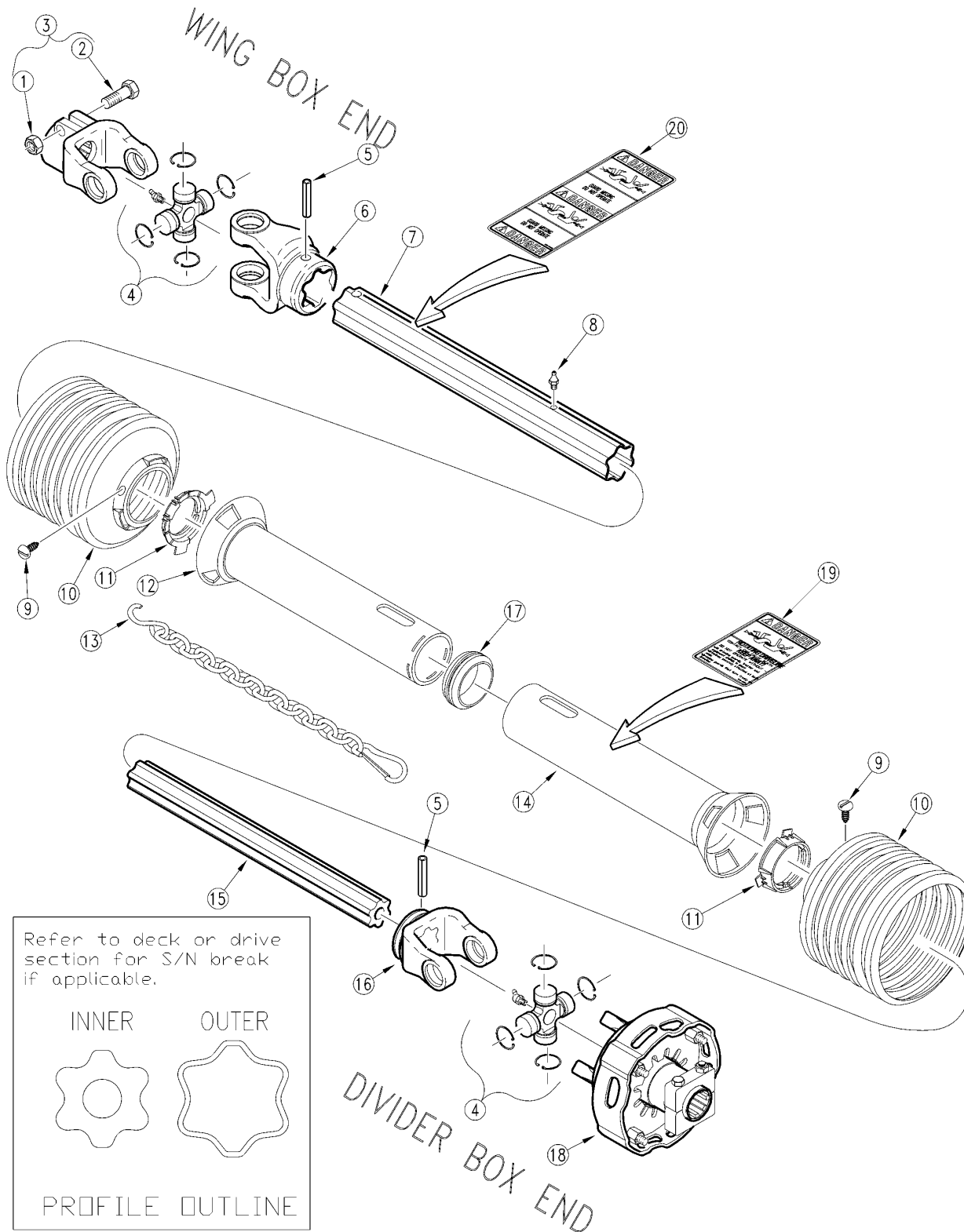
23996

Driveline Wing (826-185C) EC New Shielding**Applies to RCB6010, RCB6015**

Ref	Part No.	Part Description	Comments	Revision
	dwg23996	Drawing Image Number		
	826-185C	PTO CAT.4 W/CLUTCH 1 3/4-20 *		
1.	1786711	EC TUBE BEARING (INNER TUBE)		
2.	1215733	EC STIFFENING RING		
3.	1885702	EC SHORT CONE		
4.	1215735	EC STOP RING		
5.	1885709	EC SAFETY SLEEVE		
6.	1877901	EC INNER TUBE SHEILD		
6.	1877111	RPBY 1877901		
7.	1876901	EC OUTER TUBE SHEILD		
7.	1876111	RPBY 1876901		
8.	1885703	EC STANDARD CONE		
9.	1786710	EC TUBE BEARING (OUTER TUBE)		
10.	1446016	EC CLUTCH FD4/6 1 3/4 20 SPL		
11.	1006020	EC CROSS ASSEMBLY		
12.	1706029	EC INNER TUBE YOKE		
13.	1526121	EC 1380MM INNER TUBE		
14.	6331070	EC 10X70 ROLL PIN		
15.	1528901	EC OUTER TUBE		
15.	1528121	RPBY 1528901		
16.	6331080	EC 10X80-DIN-1481 O/TUBE R/PIN		
17.	1706027	EC OUTER TUBE YOKE		
18.	1016025	EC YOKE ASSY 1 3/4-20(TRAC.END		
19.	818-540C	DECAL DANGER GUARD MISS PTO		
20.	818-552C	DECAL DANGER PTO DRIVELINE		
21.	044321	DRIVELINE SHIELD SAFETY CHAIN		
22.	6560508	EC GREASE ZERK 8X1 45 DEG.		
23.	1006220	EC TWIST COLLAR KIT(TRACT END)		
24.	6560006	EC GREASE ZERK M6X1 STRAIGHT		
25.	1106025	EC YOKE		
26.	6761480	EC BOLT	Includes 27,28	
27.	6410114	EC SCREW NUT (M14)		
28.	6412114	EC WASHER (d14)		

Driveline Wing (826-262C) Walterscheid

Applies to RCB6010, RCB6015



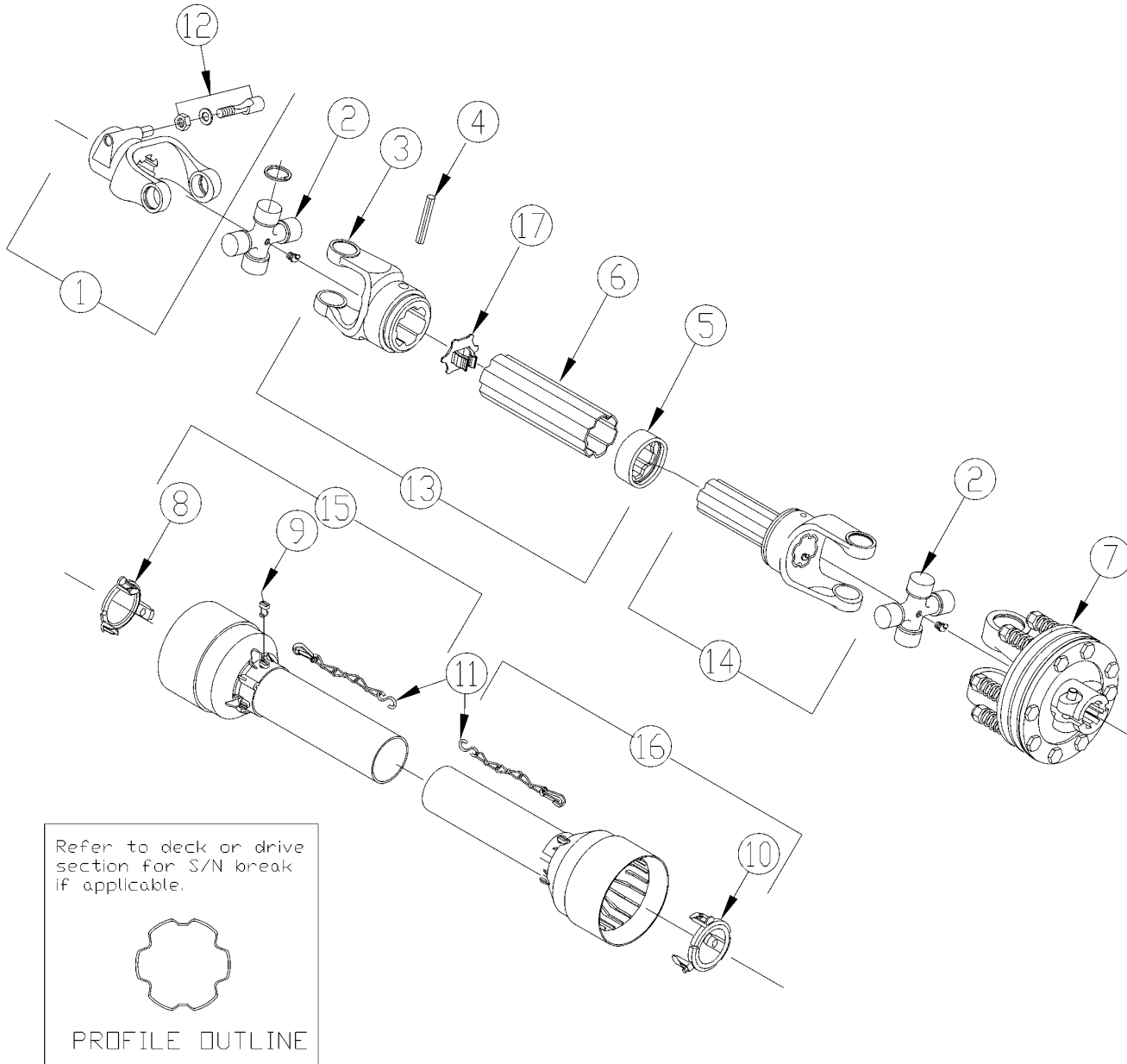
17004

Driveline Wing (826-262C) Walterscheid**Applies to RCB6010, RCB6015**

Ref	Part No.	Part Description	Comments	Revision
	dwg17004	Drawing Image Number		
	826-262C	PTO W2500/WSC CAT5 540/1000		
1.	304011	WS LOCK NUT M16		
2.	702352	WS HEX BOLT M16 X 90 GR 8.8		
3.	325027	WS YOKE 1 3/4-20 SPL.I.C. 2500		
4.	312209	WS CROSS & BEARING KIT 2500		
5.	304046	WS SPRING PIN 10 X 90		
6.	097140	WS INBOARD YOKE 2500		
7.	382223	WS PROFILE & SLEEVE W.A.		
8.	380371	WS ZERK		
9.	365305	WS SCREW		
10.	377437	WS SHIELD CONE 7 RIB		
11.	087276	WS BEARING RING - SC25		
12.	387767	WS INNER SHEILD TUBE RND		
13.	044321	DRIVELINE SHIELD SAFETY CHAIN		
14.	391707	WS OUTER SHEILD TUBE OVAL		
15.	323524	WS INNER PROFILE S4L		
16.	097133	WS INBOARD YOKE 2400		
17.	355155	WS SUPPORT BEARING		
18.	383805	WS FRICTION CLUTCH		
19.	818-552C	DECAL DANGER PTO DRIVELINE		
20.	818-540C	DECAL DANGER GUARD MISS		

Driveline Wing (826-481C) Comer (S/N 461935 to 461937, 468573+)

Applies to RCB6010, RCB6015

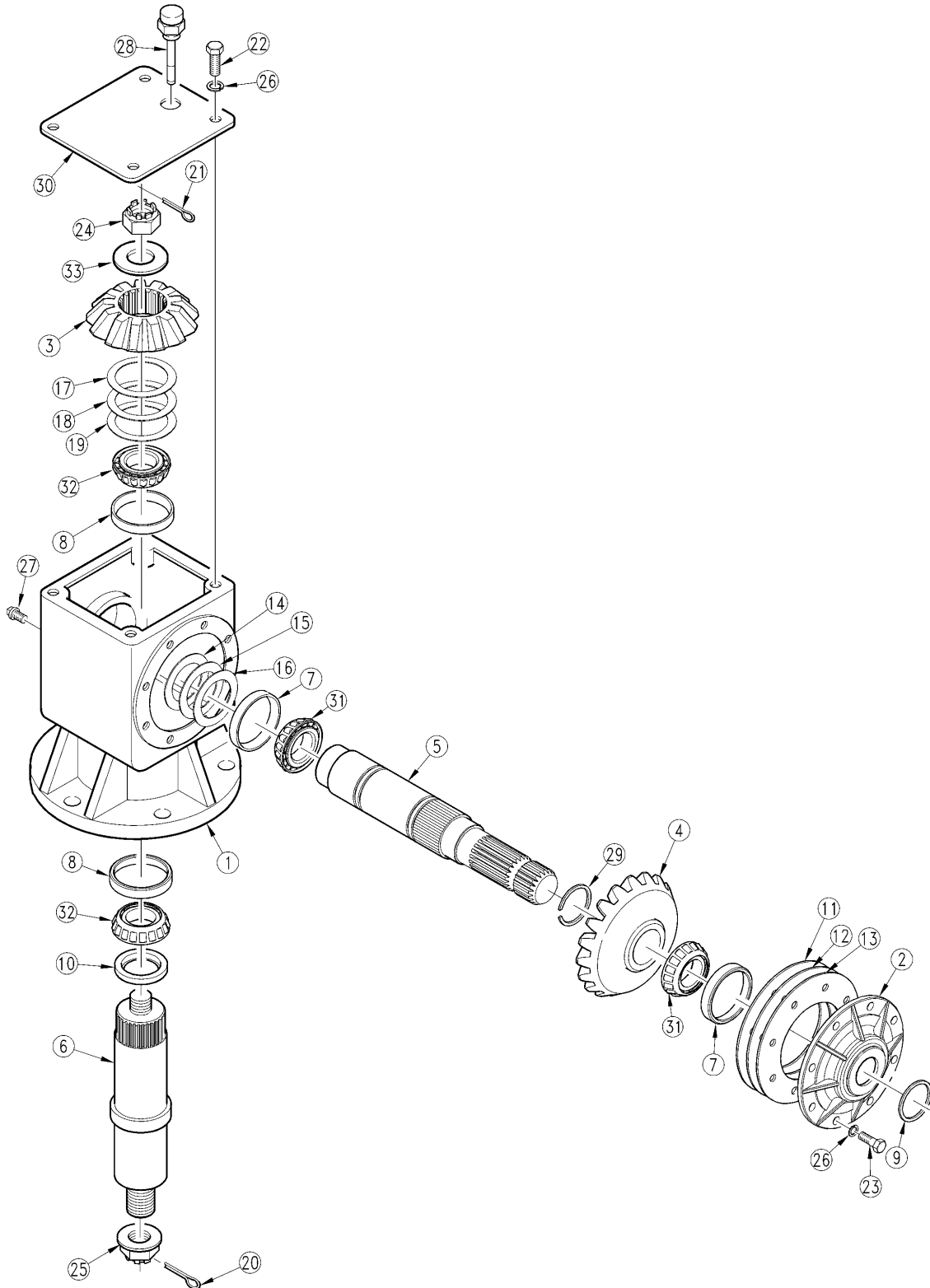


Driveline Wing (826-481C) Comer (S/N 461935 to 461937, 468573+)**Applies to RCB6010, RCB6015**

Ref	Part No.	Part Description	Comments	Revision
	dwg23953	Drawing Image Number		
	826-481C	PTO V80 X 59.3 1280NM CLUTCH		
1.	141.028.195.1	COMER YOKE COMPLETE		
2.	180.018.004	COMER CROSS ASSEMBLY		
3.	151.018.241.1	COMER YOKE OUTER		
4.	190.000.243	COMER OUTER TUBE ROLL PIN		
5.	180.018.437	COMER WIPER		
6.	1522805450710	COMER TUBE OUTER		
7.	146.284.020.1	COMER CLUTCH, DISC COMPLETE		
8.	180.018.251	COMER RETAINING COLLER INNER		
9.	180.014.240	COMER BOLT		
10.	180.018.252	COMER RETAINING COLLER INNER		
11.	180.016.025	COMER SAFTEY CHAINS		
12.	165.000.589	COMER TAPERED PIN SET 1 3/4		
13.	122.580.023.1	COMER TUBE W/YOKE/LUBE/FEMALE		
14.	122.580.511.1	COMER TUBE W/YOKE/LUBE/MALE		
15.	1422831949821	COMER HALF FEMALE GRD W/LABEL		
16.	1422871029821	COMER HALF MALE GUARDING		
17.	180.018.393	COMER CAP OUTER TUBE, PLASTIC		

Gearbox (826-231C) OMNI

Applies to RCB6010, RCB6015



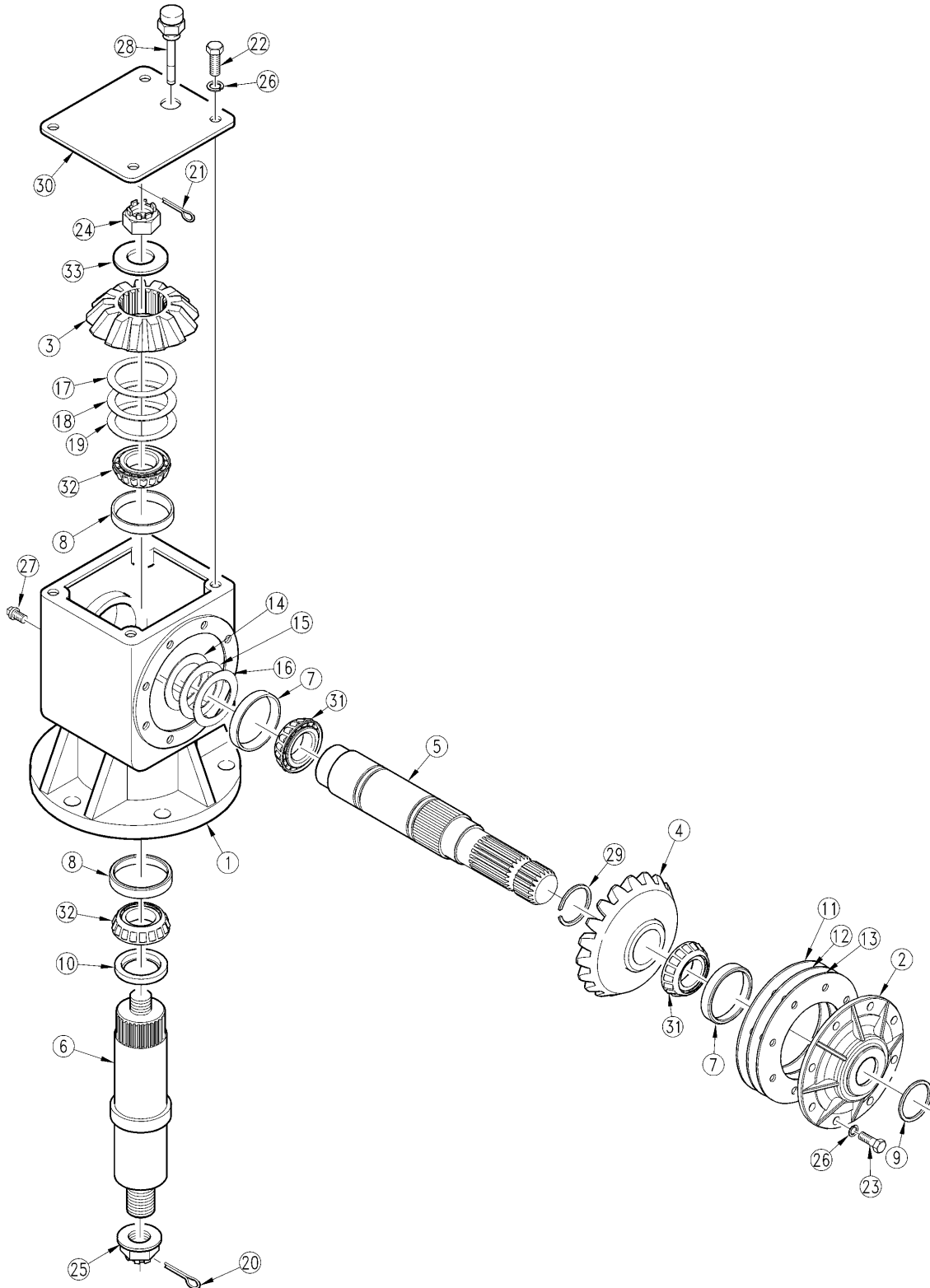
23944

Gearbox (826-231C) OMNI**Applies to RCB6010, RCB6015**

Ref	Part No.	Part Description	Comments	Revision
	dwg23944	Drawing Image Number		
	826-231C	GBOX RC130L 1.75-20 1:1.46 CW		
1.	010167	OMNI HOUSING RC-130LS		
2.	020211	OMNI INPUT CAP		
3.	030417	OMNI OUTPUT PINION, 13T		
4.	030418	OMNI GEAR INPUT, 19T		
5.	040300	OMNI INPUT SHAFT, 1.75-20 SPL		
6.	040314	OMNI OUTPUT SHAFT TAP. SPL 18T	Uses #33 spacer	Rev. 2
6.	040313	RPBY 040314 & 090144	No spacer #33	Rev. 1
7.	050200	OMNI BEARING CUP, 30210		
8.	050202	OMNI BEARING CUP,32012		
9.	060051	OMNI THRU SHAFT SEAL		
10.	060115	OMNI OUTPUT SEAL		
11.	070240	OMNI INPUT GASKET, 0.20MM		
12.	070241	OMNI INPUT GASKET, 0.30MM		
13.	070242	OMNI GASKET, 0.50MM		
14.	090145	OMNI SHIM INPUT 0.10MM		
15.	090146	OMNI SHIM INPUT 0.20MM		
16.	090147	OMNI SHIM INPUT 0.30MM		
17.	090148	OMNI SHIM OUTPUT 0.10MM		
18.	090149	OMNI SHIM OUTPUT 0.20MM		
19.	090150	OMNI SHIM OUTPUT 0.30MM		
20.	100114	OMNI COTTER PIN 6.3X60		
21.	100118	OMNI COTTER PIN 5X65		
22.	802-017C	HHCS 3/8-16X1 GR5		
23.	802-079C	HHCS 3/8-16X1 1/4 GR5		
24.	120094	OMNI NUT HEX SLOTTED, 1 3/8-18		
25.	120095	OMNI NUT-HEX SLOTTED, 1 1/4-18		
26.	130002	OMNI LOCKWASHER		
27.	140017	OMNI PLUG PIPE SQ HD1/8-27NPTF		
28.	140044	OMNI PLUG 1/2 RELIEF W/LEVEL		
29.	200127	OMNI RETAINING RING		
30.	240274	OMNI INSPECTION COVER		
31.	050201	OMNI BEARING CONE, 30210		
32.	050203	OMNI BEARING CONE, 32012		
33.	090144	OMNI SPACER		

Gearbox (826-232C) OMNI

Applies to RCB6010, RCB6015



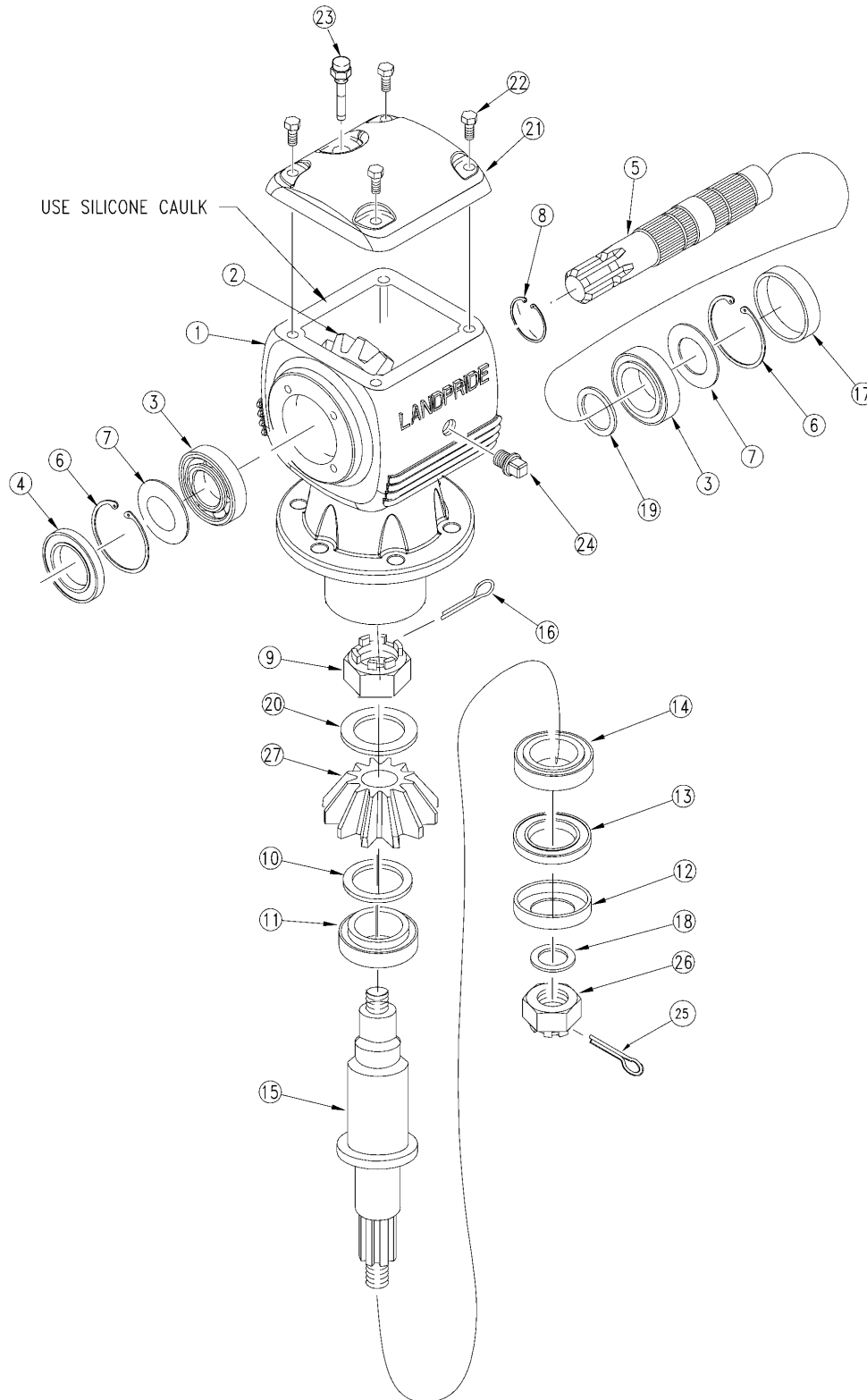
23944

Gearbox (826-232C) OMNI**Applies to RCB6010, RCB6015**

Ref	Part No.	Part Description	Comments	Revision
	dwg23944	Drawing Image Number		
	826-232C	GBOX RC130L 1.75-20 1:1.46 CCW		
1.	010168	OMNI HOUS. RC-130LS REV. ROT.		
2.	020212	OMNI BLANK CAP		
3.	030417	OMNI OUTPUT PINION, 13T		
4.	030418	OMNI GEAR INPUT, 19T		
5.	040300	OMNI INPUT SHAFT, 1.75-20 SPL		
6.	040314	OMNI OUTPUT SHAFT TAP. SPL 18T	Uses #33 spacer	Rev. 2
6.	040313	RPBY 040314 & 090144	No spacer #33	Rev. 1
7.	050200	OMNI BEARING CUP, 30210		
8.	050202	OMNI BEARING CUP,32012		
9.	060051	OMNI THRU SHAFT SEAL		
10.	060115	OMNI OUTPUT SEAL		
11.	070240	OMNI INPUT GASKET, 0.20MM		
12.	070241	OMNI INPUT GASKET, 0.30MM		
13.	070242	OMNI GASKET, 0.50MM		
14.	090145	OMNI SHIM INPUT 0.10MM		
15.	090146	OMNI SHIM INPUT 0.20MM		
16.	090147	OMNI SHIM INPUT 0.30MM		
17.	090148	OMNI SHIM OUTPUT 0.10MM		
18.	090149	OMNI SHIM OUTPUT 0.20MM		
19.	090150	OMNI SHIM OUTPUT 0.30MM		
20.	100114	OMNI COTTER PIN 6.3X60		
21.	100118	OMNI COTTER PIN 5X65		
22.	802-017C	HHCS 3/8-16X1 GR5		
23.	802-079C	HHCS 3/8-16X1 1/4 GR5		
24.	120094	OMNI NUT HEX SLOTTED, 1 3/8-18		
25.	120095	OMNI NUT-HEX SLOTTED, 1 1/4-18		
26.	804-013C	WASHER LOCK SPRING 3/8 PLT		
27.	140017	OMNI PLUG PIPE SQ HD1/8-27NPTF		
28.	140044	OMNI PLUG 1/2 RELIEF W/LEVEL		
29.	200127	OMNI RETAINING RING		
30.	240274	OMNI INSPECTION COVER		
31.	050201	OMNI BEARING CONE, 30210		
32.	050203	OMNI BEARING CONE, 32012		
33.	090144	OMNI SPACER		

Gearbox 540 RPM (826-320C) Comer

Applies to RCB6010, RCB6015



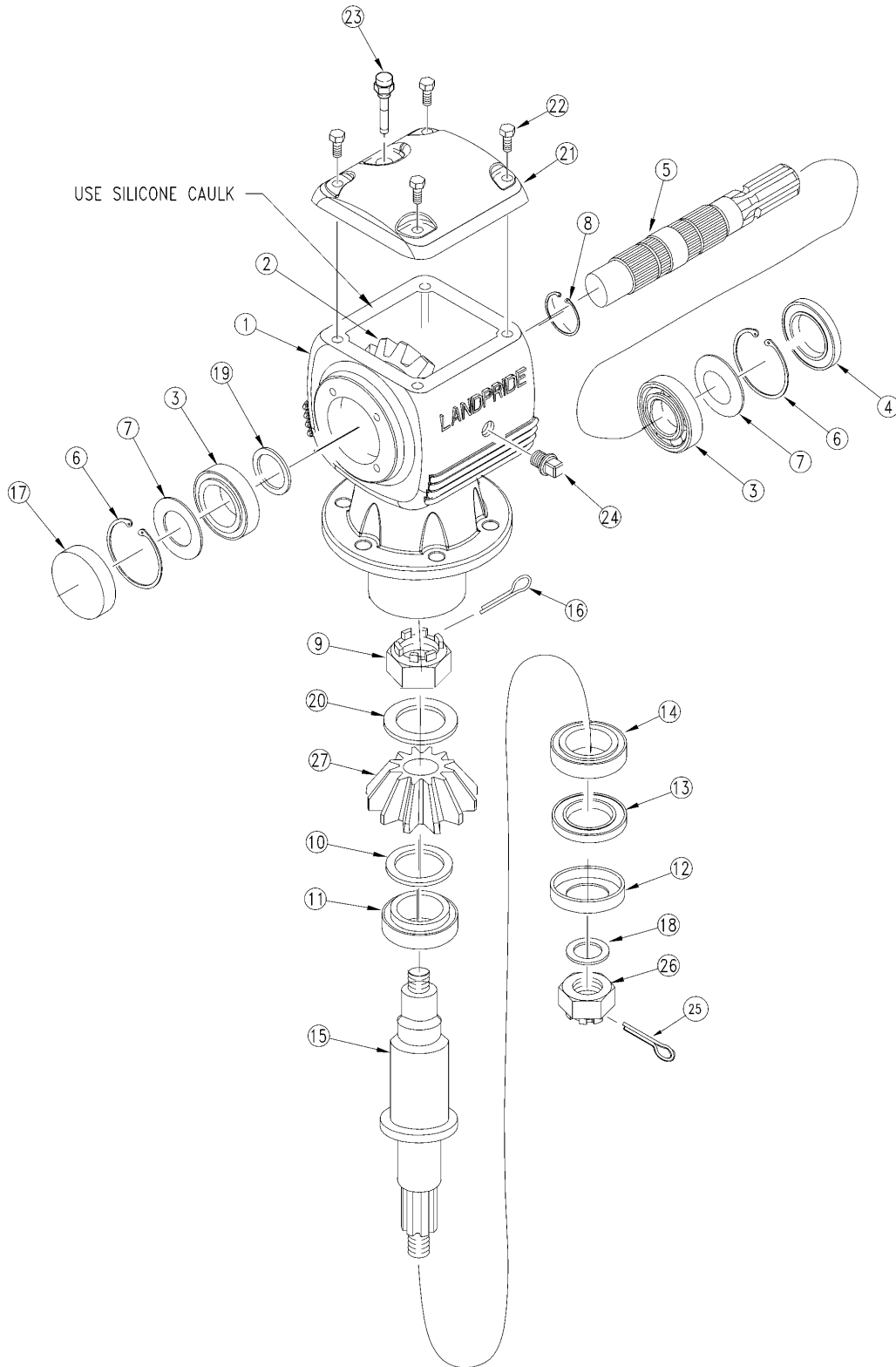
21167

Gearbox 540 RPM (826-320C) Comer**Applies to RCB6010, RCB6015**

Ref	Part No.	Part Description	Comments	Revision
	dwg21167	Drawing Image Number		
	826-320C	GBOX RC60 1.75-20 1:1.46 CCW *		
1.	U0.125.0531.00	CO HOUSING		
2.	U0.125.5005.00	CO CROWN GEAR Z22 M8		
3.	8.0.9.00143	CO BEARING 30209 RTA25		
4.	8.7.3.00331	CO OIL SEAL 45 X 85 X 10		
5.	U0.125.2050.00	CO INPUT SHAFT 1 3/4"-20		
6.	8.5.2.00332	CO SNAP RING UNI 7437		
7.	0.709.7500.00	CO SHIM 84.7		
8.	8.5.1.00533	CO SNAP RING 50 UNI7435		
9.	U0.125.7100.00	CO CASTLE NUT		
10.	0.712.7500.00	CO SHIM 50.3X70.3		
11.	8.0.9.01090	CO BEARING 32210		
12.	1.181.7101.00	CO SEAL PROTECTOR		
13.	8.7.1.02349	CO OIL SEAL 60X110X12		
14.	8.0.9.00079	CO BEARING 30212		
15.	U0.125.3002.00	CO OUTPUT SHAFT		
16.	8.4.7.02265	CO COTTER PIN B 5X60		
17.	0.121.7101.00	CO CAP		
18.	0.288.7101.00	CO BLANK WASHER		
19.	0.252.7525.00	CO SHIM 45.3X2.5		
20.	0.285.7510.00	CO SHIM 40.3 X 61.7 X 1		
21.	U0.125.1301.00	CO COVER		
22.	8.1.1.00501	CO BOLT M8X22 HHB		
23.	8.6.5.00203	CO PLUG 1/2" GAS		
24.	8.6.5.00006	CO OIL PLUG 3/8		
25.	8.4.7.01045	CO COTTER PIN B6X70 SLD-SPRTLY		
26.	8.2.2.00560	CO CASTLE NUT M36X3		
27.	U0.125.6004.00	CO CROWN GEAR Z15 M8		

Gearbox 540 RPM (826-321C) Comer

Applies to RCB6010, RCB6015



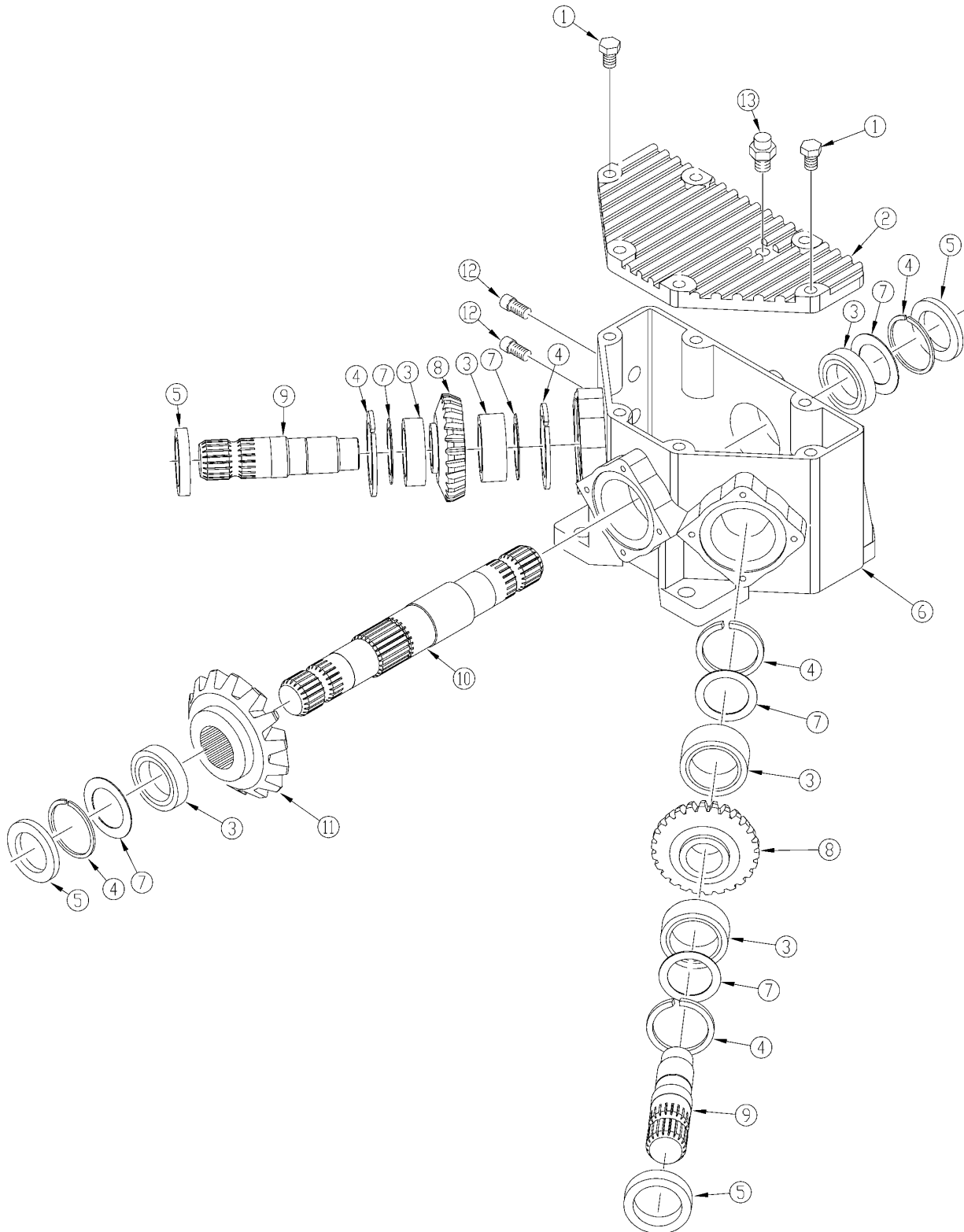
21171

Gearbox 540 RPM (826-321C) Comer**Applies to RCB6010, RCB6015**

Ref	Part No.	Part Description	Comments	Revision
	dwg21171	Drawing Image Number		
	826-321C	GBOX RC60 1.75-20 1:1.46 CW *		
1.	U0.125.0531.00	CO HOUSING		
2.	U0.125.5005.00	CO CROWN GEAR Z22 M8		
3.	8.0.9.00143	CO BEARING 30209 RTA25		
4.	8.7.3.00331	CO OIL SEAL 45 X 85 X 10		
5.	U0.125.2050.00	CO INPUT SHAFT 1 3/4"-20		
6.	8.5.2.00332	CO SNAP RING UNI 7437		
7.	0.709.7500.00	CO SHIM 84.7		
8.	8.5.1.00533	CO SNAP RING 50 UNI7435		
9.	U0.125.7100.00	CO CASTLE NUT		
10.	0.712.7500.00	CO SHIM 50.3X70.3		
11.	8.0.9.01090	CO BEARING 32210		
12.	1.181.7101.00	CO SEAL PROTECTOR		
13.	8.7.1.02349	CO OIL SEAL 60X110X12		
14.	8.0.9.00079	CO BEARING 30212		
15.	U0.125.3002.00	CO OUTPUT SHAFT		
16.	8.4.7.02265	CO COTTER PIN B 5X60		
17.	0.121.7101.00	CO CAP		
18.	0.288.7101.00	CO BLANK WASHER		
19.	0.252.7525.00	CO SHIM 45.3X2.5		
20.	0.285.7510.00	CO SHIM 40.3 X 61.7 X 1		
21.	U0.125.1301.00	CO COVER		
22.	8.1.1.00501	CO BOLT M8X22 HHB		
23.	8.6.5.00203	CO PLUG 1/2" GAS		
24.	8.6.5.00006	CO OIL PLUG 3/8		
25.	8.4.7.01045	CO COTTER PIN B6X70 SLD-SPRTLY		
26.	8.2.2.00560	CO CASTLE NUT M36X3		
27.	U0.125.6004.00	CO CROWN GEAR Z15 M8		

Gearbox Divider (826-179C) Comer

Applies to RCB6010, RCB6015



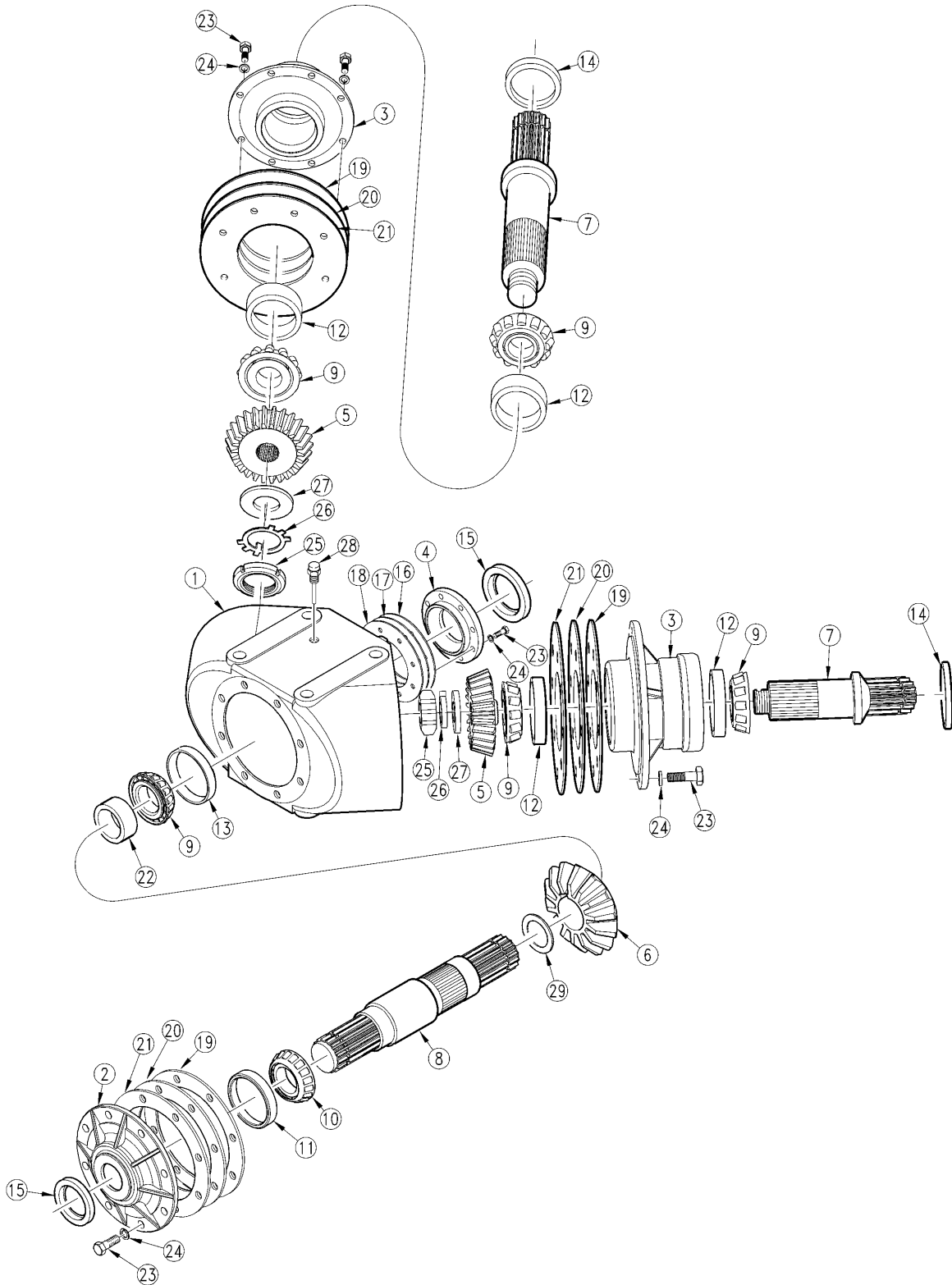
19604

Gearbox Divider (826-179C) Comer**Applies to RCB6010, RCB6015**

Ref	Part No.	Part Description	Comments	Revision
	dwg19604	Drawing Image Number		
	826-179C	DIV OMNI/CO 540RPM 1 3/4-20		
1.	8.1.1.00109	CO BOLT M10 X 35 8.8		
2.	0.305.1300.00	TOP COVER PLATE		
3.	8.0.9.00143	CO BEARING 30209 RTA25		
4.	8.5.2.01772	CO SNAP RING		
5.	8.7.3.00331	CO OIL SEAL 45 X 85 X 10		
6.	0.305.0300.01	CO CASING		
7.	0.709.7500.00	CO SHIM 84.7		
8.	0.305.6000.00	CO GEAR M6.5 Z20		
9.	0.305.3000.00	CO SHAFT 1" 3/4 Z20		
10.	0.305.2000.00	CO SHAFT 1" 3/4 Z20		
11.	0.305.5001.00	CO GEAR M6.5 Z24		
12.	8.6.6.00201	CO PLUG 3/8 GAS		
13.	8.6.7.00269	CO 1/2" GAS BREATHER PLUG		

Gearbox Divider (826-179C) OMNI

Applies to RCB6010, RCB6015



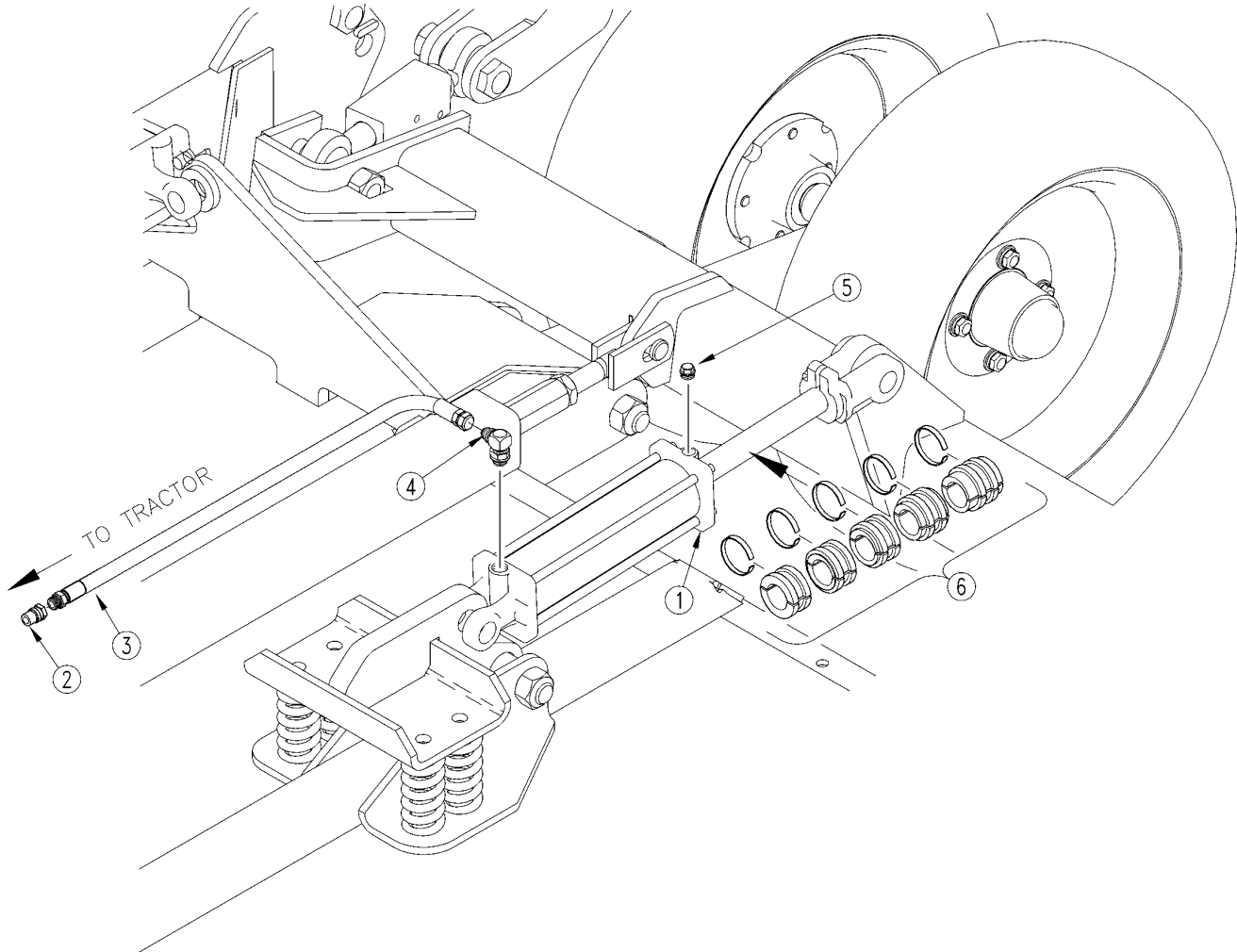
15503

Gearbox Divider (826-179C) OMNI**Applies to RCB6010, RCB6015**

Ref	Part No.	Part Description	Comments	Revision
	dwg15503	Drawing Image Number		
	826-179C	DIVBX.RCD101HD 1 3/4-20 1:1.21		
1.	010063	OMNI HOUSING RCD101HD		
2.	020162	OMNI INPUT CAP		
3.	020061	OMNI CANTILEVERED OUTPUT CAP		
4.	020110	OMNI OUTPUT CAP		
5.	030413	OMNI PINION, 20T		
6.	030412	OMNI GEAR, 24T		
7.	040121	OMNI OUTPUT SHAFT,1.75-20SHORT		
8.	040124	OMNI INPUT SHAFT, 1.75-20 LONG		
9.	050008	OMNI BEARING CONE - 368		
10.	050012	OMNI BEARING CONE -LM603049		
11.	050013	OMNI BEARING CUP - LM 603014		
12.	050014	BEARING CUP - 362A, OMNI		
13.	050015	BEARING CUP - 362, OMNI		
14.	060020	OMNI OUTPUT SEAL		
15.	060051	OMNI THRU SHAFT SEAL		
16.	070057	OMNI GASKET, 0.30MM		
17.	070058	OMNI GASKET, 0.15MM		
18.	070151	OMNI INPUT GASKET, 0.10MM		
19.	070140	OMNI GASKET 0.30MM		
20.	070141	OMNI GASKET 0.15MM		
21.	070142	OMNI GASKET 0.10MM		
22.	090003	SPACER, OMNI		
23.	802-079C	HHCS 3/8-16X1 1/4 GR5		
24.	804-013C	WASHER LOCK SPRING 3/8 PLT		
25.	120025	OMNI LOCKNUT, TN-06		
26.	130030	OMNI LOCKWASHER, TW-06		
27.	130021	OMNI FLAT WASHER		
28.	140046	OMNI PLUG 1/2-14NPT,PRW/OIL LV.		
29.	200003	OMNI RETAINING RING		

Hydraulic Center Lift

Applies to RCB6010, RCB6015



15427

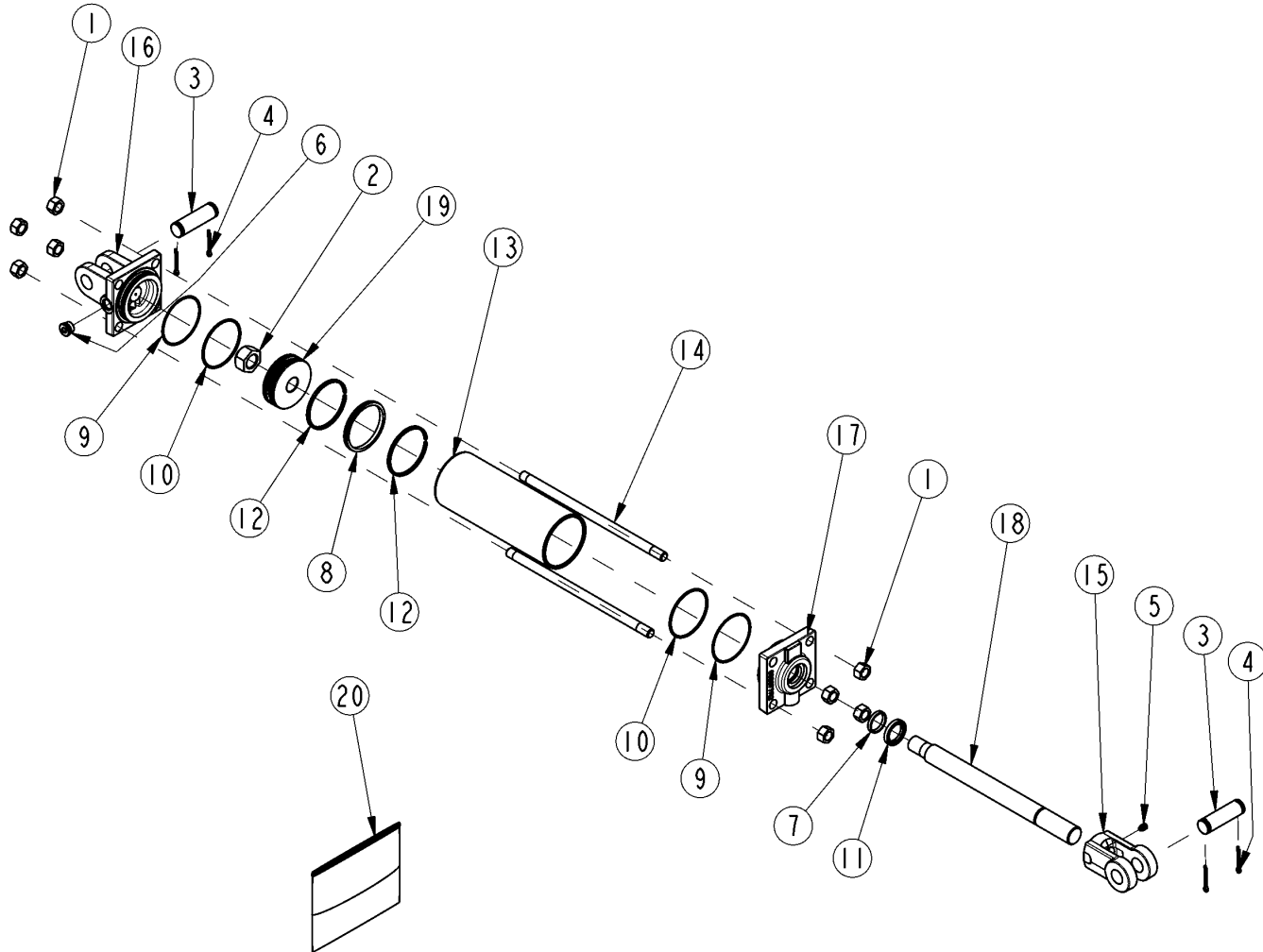
Hydraulic Center Lift

Applies to RCB6010, RCB6015

Ref	Part No.	Part Description	Comments	Revision
	dwg15427	Drawing Image Number		
1.	810-162C	CYL 3.5X8X1.25 ROD (TIE ROD)		
2.	811-394C	CP 3/4FORB MALE QD		
3.	811-619C	HH3/8R1 168 3/4MORB 3/4FJIC		
4.	811-063C	EL 3/4MJIC 3/4MORB		
5.	800-306C	FILL PLUG VENTED 3/4-16 PLT		
6.	810-317C	STROKE CONTROL SPACERS 1 1/4		

Hydraulic Cylinder (810-162C) Red Lion

Applies to RCB6010, RCB6015



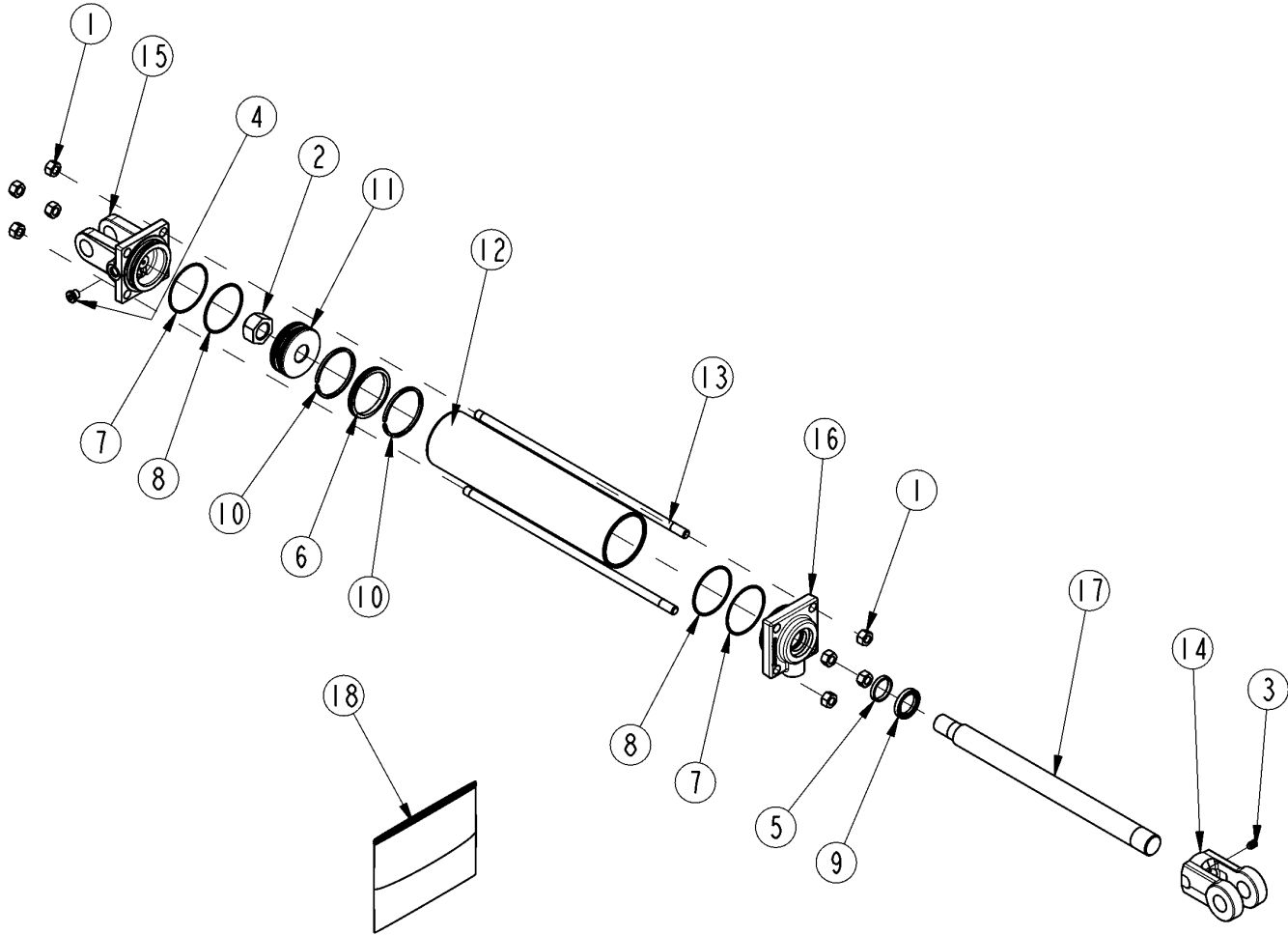
25900

Hydraulic Cylinder (810-162C) Red Lion**Applies to RCB6010, RCB6015**

Ref	Part No.	Part Description	Comments	Revision
	dwg25900	Drawing Image Number		
	810-162C	CYL 3.5X8X1.25 ROD (TIE ROD) *		
1.	803-022C	NUT HEX 5/8-18 PLT		
2.	130560	MON PISTON NUT		
3.	134953	LION PIN		
4.	135995	MON CLEVIS PIN COTTER		
5.	801-023C	SCREW SET SH 3/8-16X3/8 TYPE C		
6.	186562	LION PLUG 3/4-16UNF SOCKET HD		
7.	N/A	MON ROD SEAL	Only Found in Kit #20	
8.	N/A	MON PISTON SEAL (PSP)	Only Found in Kit #20	
9.	N/A	LION B.U. WASHER 073-236	Only Found in Kit #20	
10.	N/A	MON END CAP O-RING	Only Found in Kit #20	
11.	N/A	SEAL WIPER ROD	Only Found in Kit #20	
12.	N/A	MON PISTON WEAR RING	Only Found in Kit #20	
13.	491798	LION CYL. TUBE 3.5 X 8		
14.	492338	LION TIE ROD 5/8 X 8		
15.	492652	LION ROD CLEVIS 1 1/4 (1PIN)		
16.	492676	LION CLEVIS CAP 3.5 ORB		
17.	492677	LION ROD CAP 3.5 X 1 1/4 ORB		
18.	492700	LION ROD 1.25 DIA. ASAE 8		
19.	494754	MON PISTON		
20.	648411	MON SEALS REPAIR KIT		

Hydraulic Cylinder (810-312C) Red Lion

Applies to RCB6010, RCB6015



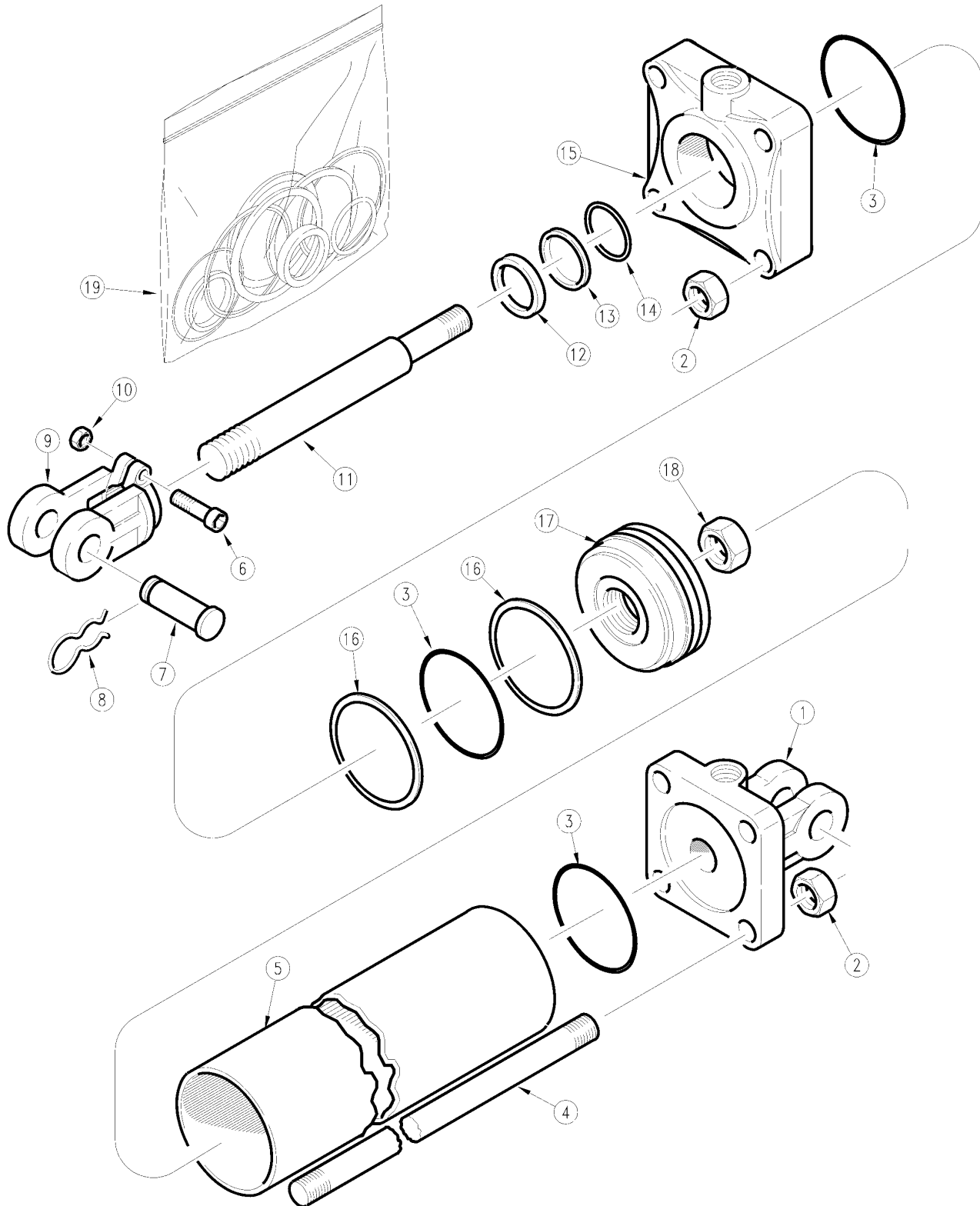
25902

Hydraulic Cylinder (810-312C) Red Lion**Applies to RCB6010, RCB6015**

Ref	Part No.	Part Description	Comments	Revision
	dwg12345	Drawing Image Number		
	810-312C	CYL 3X12X1.25 ROD (TIE ROD) *		
1.	803-020C	NUT HEX 1/2-13 PLT		
2.	130560	MON PISTON NUT		
3.	801-023C	SCREW SET SH 3/8-16X3/8 TYPE C		
4.	186561	PLUG 9/16-18UNF MORB SOCKET HD		
5.	N/A	MON ROD SEAL	Only Found in Kit #18	
6.	N/A	MON PISTON SEAL (PSP)	Only Found in Kit #18	
7.	N/A	MON END CAP B/U WASHER	Only Found in Kit #18	
8.	N/A	MON END CAP O-RING	Only Found in Kit #18	
9.	N/A	SEAL WIPER ROD	Only Found in Kit #18	
10.	N/A	MON PISTON WEAR RING	Only Found in Kit #18	
11.	294753	MON PISTON		
12.	491742	MON CYL TUBE		
13.	492282	MON TIE ROD		
14.	492652	LION ROD CLEVIS 1 1/4 (1PIN)		
15.	492721	LION CLEVIS CAP 3.0-9/16 ORB		
16.	492722	LION ROD CAP 3.0X1.25-9/16 ORB		
17.	492870	MON CYL ROD		
18.	645599	MON SEALS REPAIR KIT		

Hydraulic Cylinder Center Lift (810-162C) Cross

Applies to RCB6010, RCB6015



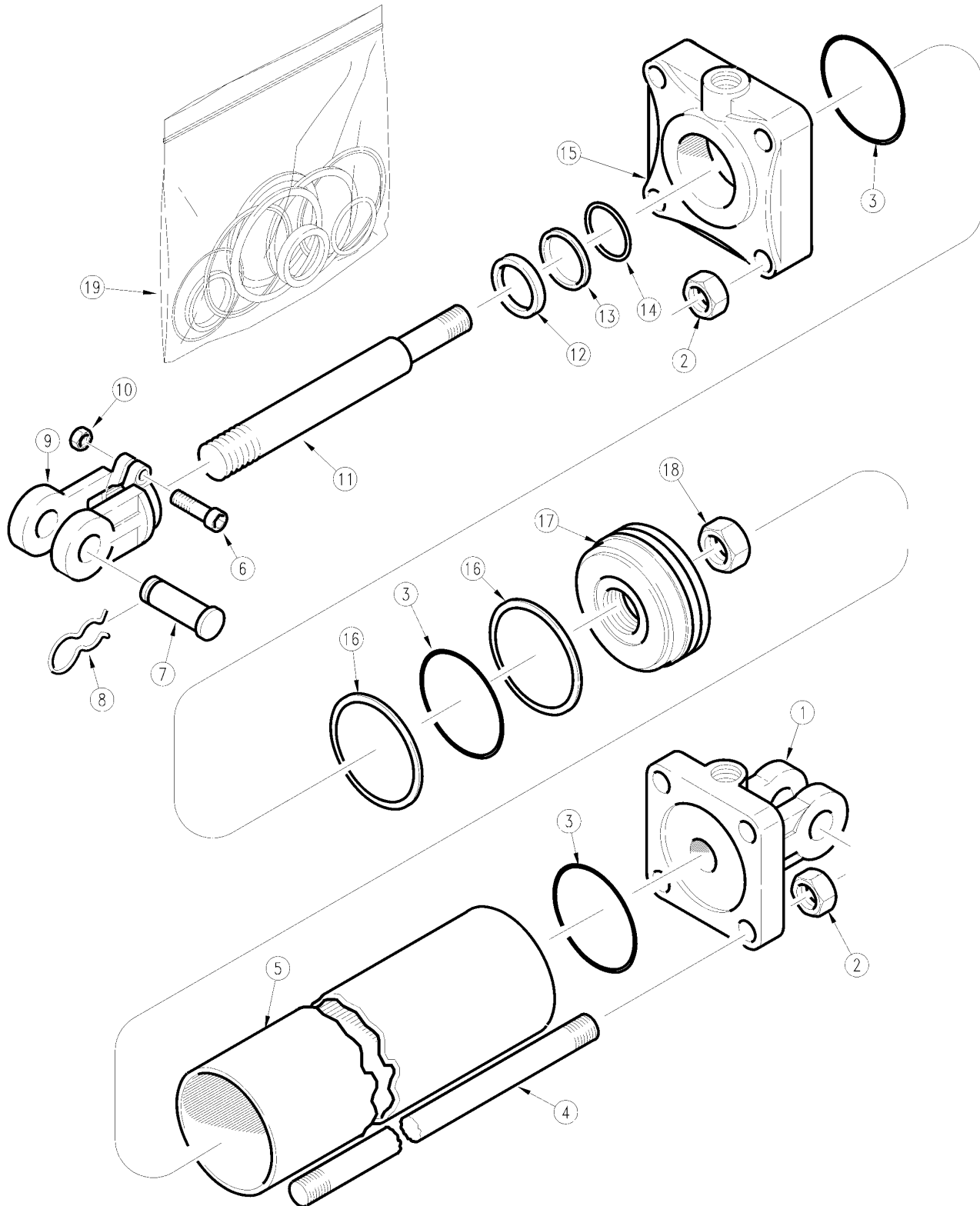
11421

Hydraulic Cylinder Center Lift (810-162C) Cross**Applies to RCB6010, RCB6015**

Ref	Part No.	Part Description	Comments	Revision
	dwg11421	Drawing Image Number		
	810-162C	CYL 3.5X8X1.25 ROD (TIE ROD) *		
1.	1D1509-4	BASE CROSS		
2.	2A0236-9	TIE ROD NUT CROSS		
3.		O-RING	Only available in Seal Kit (#19)	
4.	2A0581-1325	TIE ROD CROSS		
5.	1D0009-1050	TIE ROD CROSS		
6.	2A0079-616	CROSS SCREW, CAP		
7.	1D1551-16275	CROSS CLEVIS PIN		
8.	2A0308-1	CROSS PIN, CLIP		
9.	1D1003-5	CROSS ROD CLEVIS		
10.	2A0235-6	CROSS NUT, CLEVIS & TIE ROD		
11.	1D0205-1262	ROD CROSS		
12.		WIPER	Only available in Seal Kit (#19)	
13.		BACK-UP ROD	Only available in Seal Kit (#19)	
14.		O-RING	Only available in Seal Kit (#19)	
15.	1D1159-4	HEAD CROSS		
16.		BACK-UP PISTON	Only available in Seal Kit (#19)	
17.	1D1401-350	PISTON CROSS		
18.	1A1141	PISTON NUT CROSS		
19.	810-146C	SEAL KIT CROSS 3.5 CYL 1C4429		

Hydraulic Cylinder Center Lift (810-162C) Midway

Applies to RCB6010, RCB6015



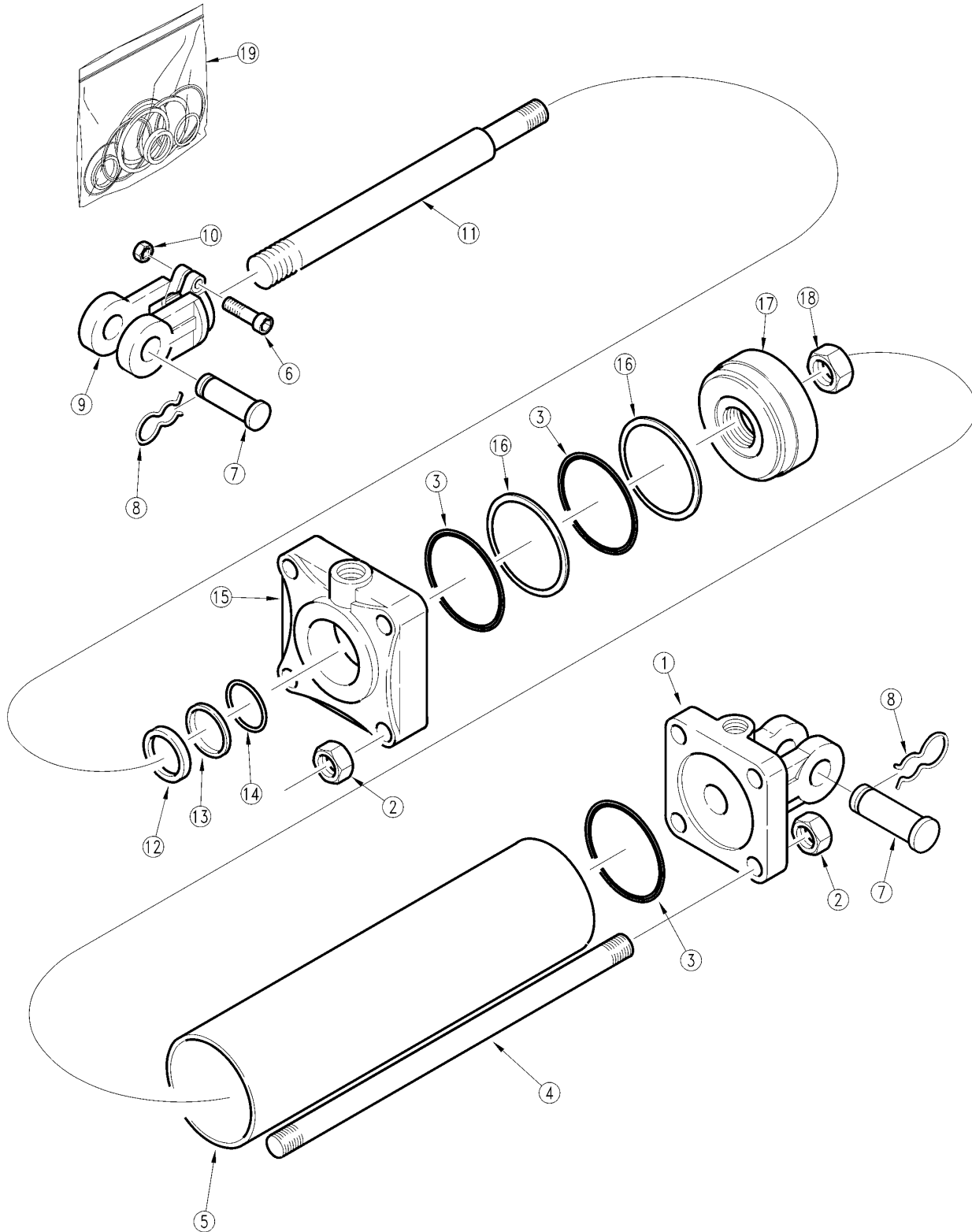
11421

Hydraulic Cylinder Center Lift (810-162C) Midway**Applies to RCB6010, RCB6015**

Ref	Part No.	Part Description	Comments	Revision
	dwg11421	Drawing Image Number		
	810-162C	CYL 3.5X8X1.25 ROD (TIE ROD) *		
1.	6M5142	MW BASE (STD 1 PIN)		
2.	2A0016	MW TIE ROD NUT		
3.		O-RING	Only available in Seal Kit (#19)	
4.	7M5316	MW ROD		
5.	5M5116	MW TUBE 3 1/2 X 8 CYLINDER		
6.	2A0006	MW CAPSCREW		
7.	2A0208	MW CLEVIS PIN		
8.	2A0132	MW PIN CLIP		
9.	1M6010	MW CLEVIS STD. DUTY		
10.	2A0012	MW NUT CLEVIS & TIE ROD		
11.	2M5416	MW ROD		
12.		WIPER	Only available in Seal Kit (#19)	
13.		BACK-UP ROD	Only available in Seal Kit (#19)	
14.		O-RING	Only available in Seal Kit (#19)	
15.	3M5408	MW HEAD		
16.		BACK-UP PISTON	Only available in Seal Kit (#19)	
17.	4M5102	MW PISTON 3 1/2 DIA.		
18.	2A0024	MW PISTON NUT 1-14		
19.	810-149C	SEAL KIT 810-104C MW 3A5102		

Hydraulic Cylinder Wing (810-312C) Cross

Applies to RCB6010, RCB6015



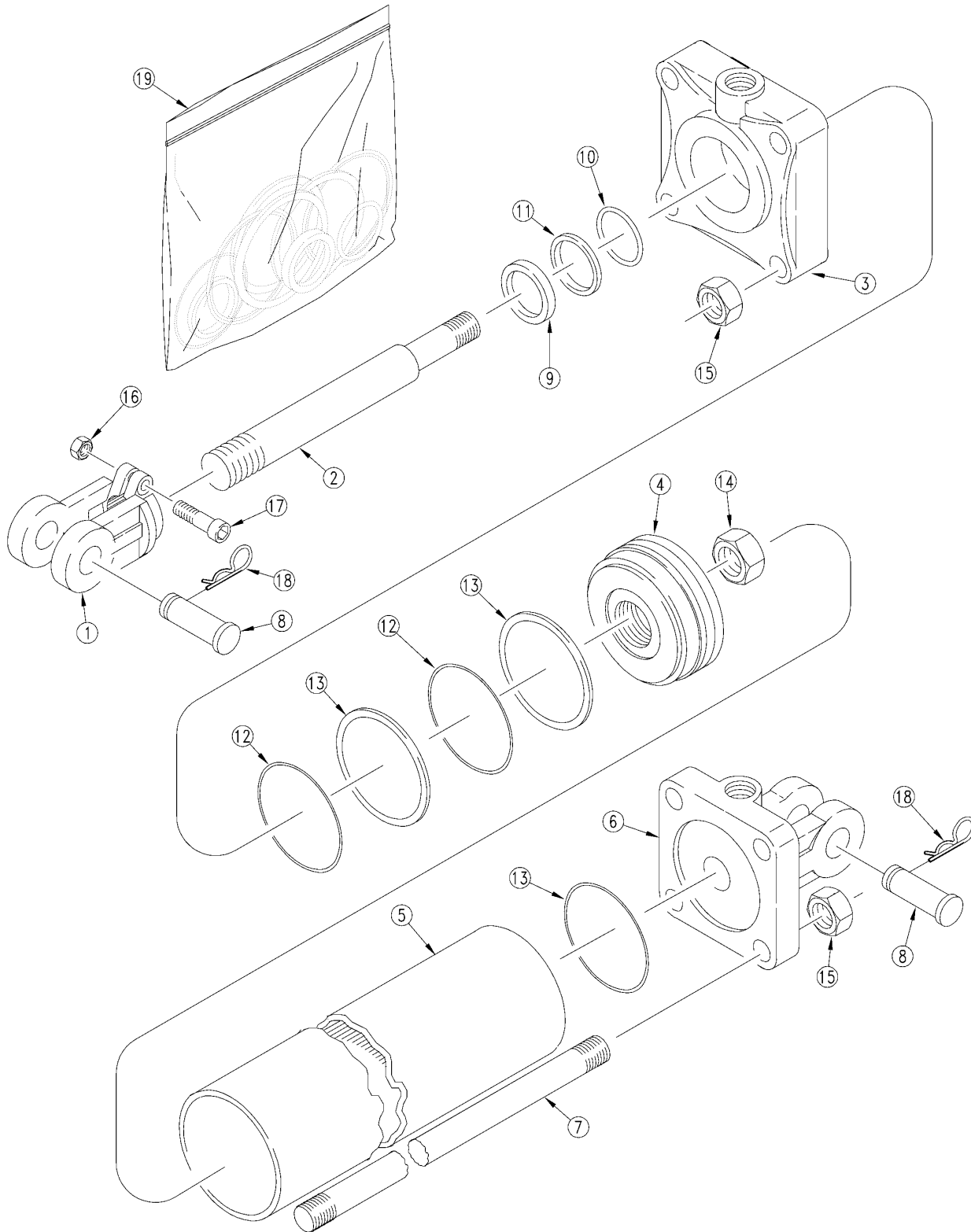
15572

Hydraulic Cylinder Wing (810-312C) Cross**Applies to RCB6010, RCB6015**

Ref	Part No.	Part Description	Comments	Revision
	dwg15572	Drawing Image Number		
	810-312C	CYL 3X12X1.25 ROD (TIE ROD		
1.	1D1505-3	BASE CROSS		
2.	2A0235-6	CROSS NUT,CLEVIS AND TIE ROD		
3.		O-RING	Only found in seal kit 20.	
4.	2A0578-1675	TIE ROD CROSS		
5.	1D0005-1450	TUBE CROSS		
6.	2A0079-616	CROSS SCREW CAP		
7.	1D1551-16275	CROSS CLEVIS PIN		
8.	2A0308-1	CROSS PIN,CLIP		
9.	1D1003-5	CROSS ROD CLEVIS		
10.	2A0235-6	CROSS NUT, CLEVIS AND TIE ROD		
11.	1D0206-1675	ROD CROSS		
12.		WIPER	Only found in seal kit 20.	
13.		BACK-UP	Only found in seal kit 20.	
14.		O-RING	Only found in seal kit 20.	
15.	1D1155-17	HEAD CROSS		
16.		BACK UP	Only found in seal kit 20.	
17.	1D1401-250	PISTON CROSS		
18.	2A0246-12	CROSS NUT,PISTON		
19.	810-177C	SEAL KIT MW 2.5X1.25ROD 3A3104		
19.	810-178C	SEAL KIT CROSS 2.5 CYL 1C498		

Hydraulic Cylinder Wing (810-312C) Midway

Applies to RCB6010, RCB6015



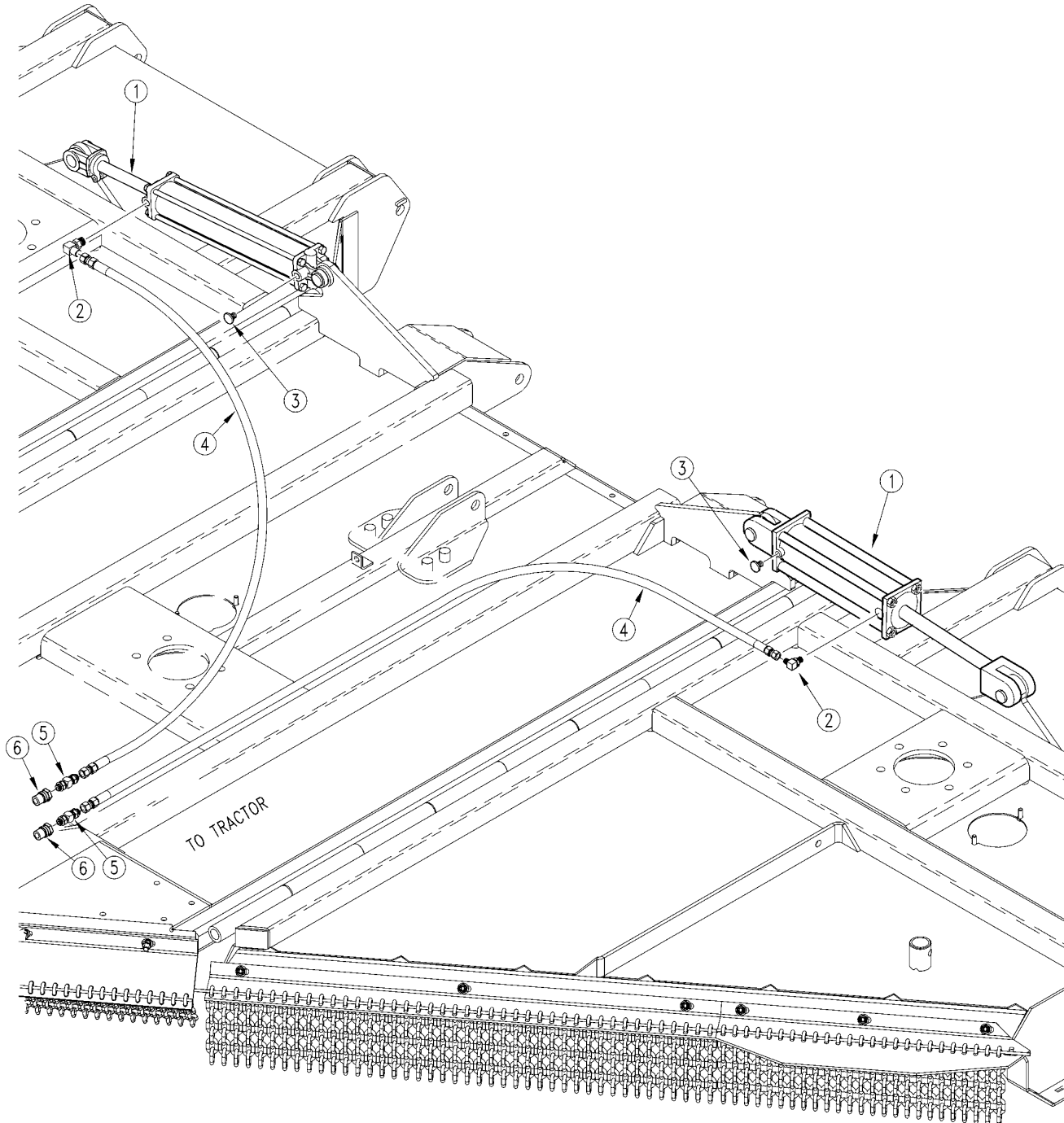
15242

Hydraulic Cylinder Wing (810-312C) Midway**Applies to RCB6010, RCB6015**

Ref	Part No.	Part Description	Comments	Revision
	dwg15242	Drawing Image Number		
	810-312C	CYL 3X12X1.25 ROD (TIE ROD)		
1.	1M6010	MW CLEVIS STD. DUTY		
2.	2M4418	MW ROD 1-1/4 DIA. X 10 STROKE		
3.	3M4410	MW HEAD CAP 3X1-1/4 RD 9/16SAE		
4.	4M4104	MW PISTON 3 DIA.		
5.	5M4120	MW TUBE 3 X 10 CYLINDER		
6.	6M4152	MW BASE 3 X 9/16 SAE		
7.	7M4320	MW TIE ROD 3 X 10 CYLINDER		
8.	2A0208	MW CLEVIS PIN		
9.		MW WIPER	Only found in seal kit 19	
10.		MW O-RING	Only found in seal kit 19	
11.		MW BACK-UP	Only found in seal kit 19	
12.		MW O-RING	Only found in seal kit 19	
13.		MW BACK UP	Only found in seal kit 19	
14.	2A0024	MW PISTON NUT 1-14		
15.	2A0014	MW TIE ROD NUT		
16.	2A0012	MW NUT CLEVIS & TIE ROD		
17.	2A0006	MW CAPSCREW		
18.	2A0132	MW PIN CLIP		
19.	810-015C	CYL SEAL KIT 3 X 7 MW 3A4104		

Hydraulic Wing Lift

Applies to RCB6010, RCB6015



18341

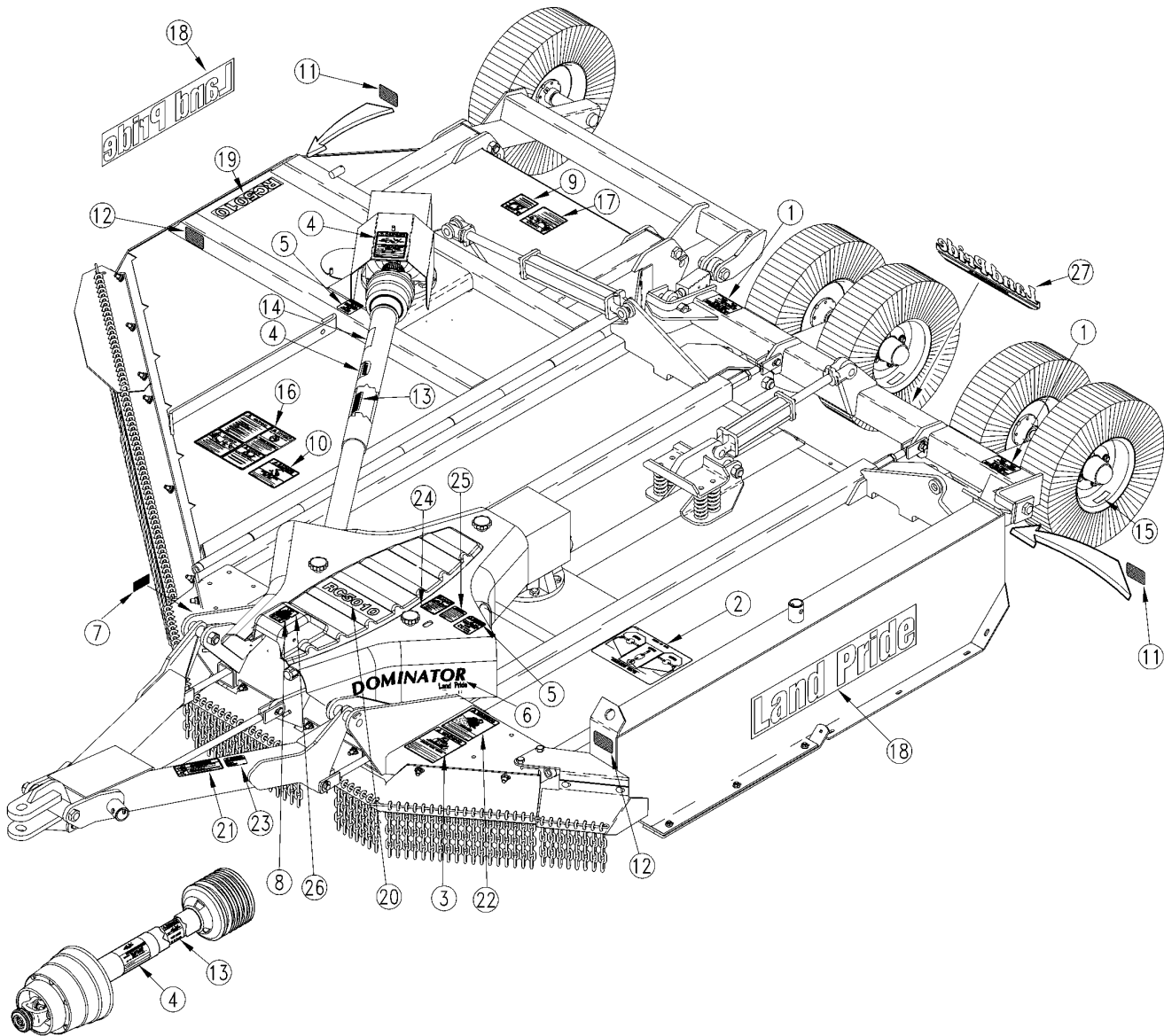
Hydraulic Wing Lift

Applies to RCB6010, RCB6015

Ref	Part No.	Part Description	Comments	Revision
	dwg18341	Drawing Image Number		
1.	810-312C	CYL 3X12X1.25 ROD (TIE ROD)		
2.	811-062C	OREL 1/32 9/16MJIC 9/16MORB		
3.	800-117C	VENT PLUG - 9/16-18 PLATED		
4.	811-165C	HH1/4R1 205 9/16FJIC	Used without Weight Box	
4.	318-398L	ASSY. HOSE BUNDLE 10'	Used with Weight Box	
5.	811-133C	AD 9/16MJIC 3/4MORB		
6.	811-394C	CP 3/4FORB MALE QD		

Label Placement

Applies to RCB6010



22214

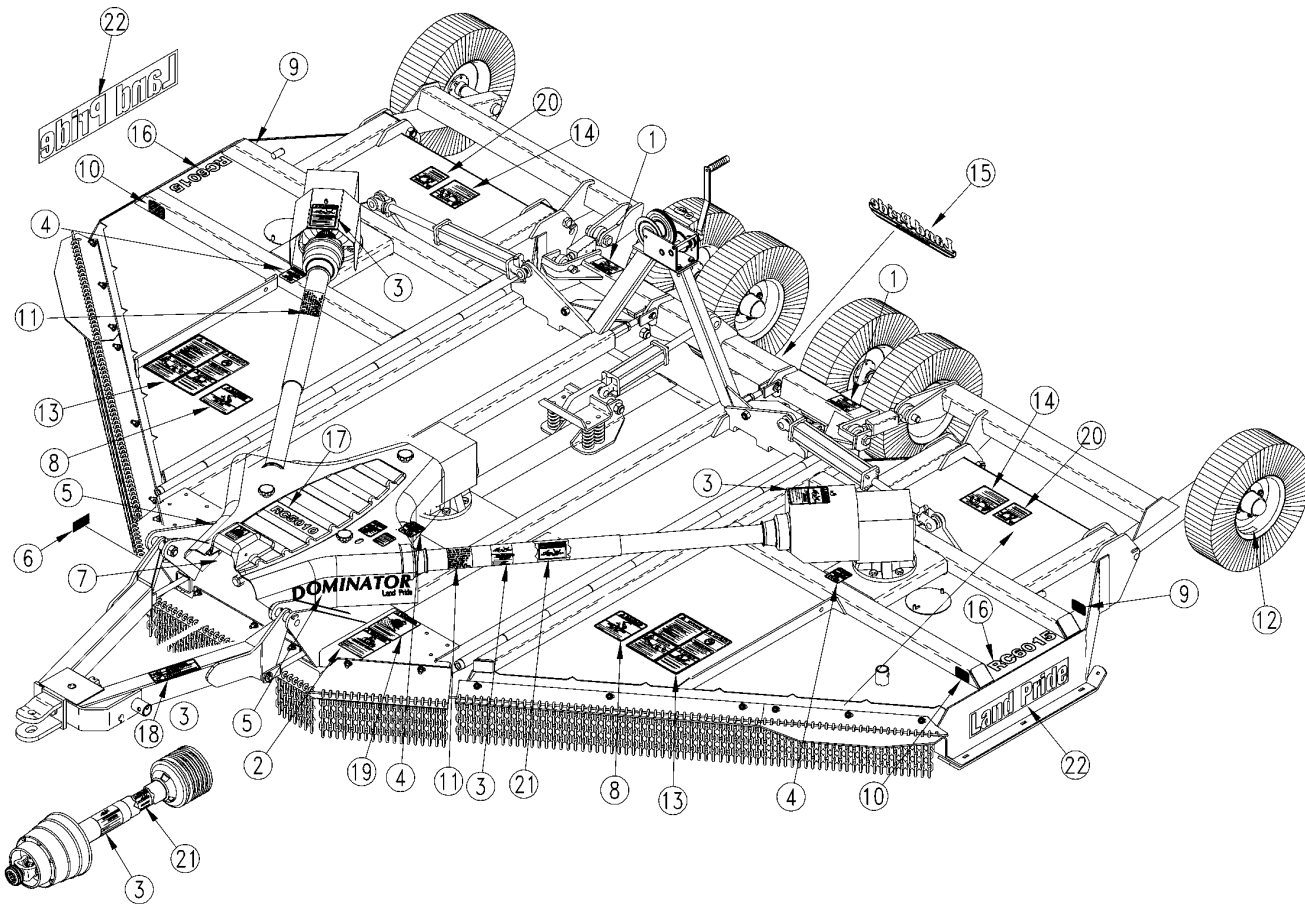
Label Placement

Applies to RCB6010

Ref	Part No.	Part Description	Comments	Revision
	dwg22214	Drawing Image Number		
1.	818-045C	DECAL WARNING PINCH PT/CRUSH		
2.	818-268C	DECAL BLADE ROTATION RC45180		
3.	818-276C	DECAL WARNING OPERATING ANGLE		
4.	818-552C	DECAL DANGER PTO DRIVELINE		
5.	818-543C	DECAL DANGER PD GUARD MISS SML		
6.	838-585C	DECAL DOMINATOR	RC6010 RCM6010 Beige & Red Colored Units S/N 418250	
6.	838-636C	DECAL DOMINATOR GREEN	On Green Colored Units S/N 418250	
7.	818-190C	DECAL FLAG		
8.	818-130C	DECAL CAUTION 540 RPM		
9.	818-556C	DECAL DANGER THROWN OBJ CUTTER		
10.	818-561C	DECAL DANGER RAISED WING HAZAR		
11.	818-230C	DECAL RED REFLECTOR		
12.	818-229C	DECAL AMBER REFLECTOR		
13.	818-540C	DECAL DANGER GUARD MISS PTO		
14.	818-680C	DECAL IMPORTANT - SLIP CLUTCH		
15.	818-681C	DECAL NOTICE - 20 MPH MAX		
16.	818-830C	DECAL SAFETY COMBO SUNWEST		
17.	818-564C	DECAL RC OSHA AG CHAIN GUARD		
18.	838-243C	DECAL LANDPRIDE 30" BLACK		
19.	838-098C	DECAL RC6010-BROWN		
20.	838-096C	DECAL RC6010-BEIGE		
21.	838-094C	DECAL WARNING HYD PRESS LONG		
22.	818-840C	DECAL DANGER ROLLOVER HAZARD		
23.	838-588C	FOLDING CUTTER SPEED WARNING		
24.	818-552C	DECAL DANGER PTO DRIVELINE		
25.	818-680C	DECAL IMPORTANT - SLIP CLUTCH		
26.	818-862C	DECAL 5 YEAR GEARBOX WARRANTY		
27.	818-902C	DECAL LANDPRIDE 16" - BIEGE		

Label Placement

Applies to RCB6015



18318

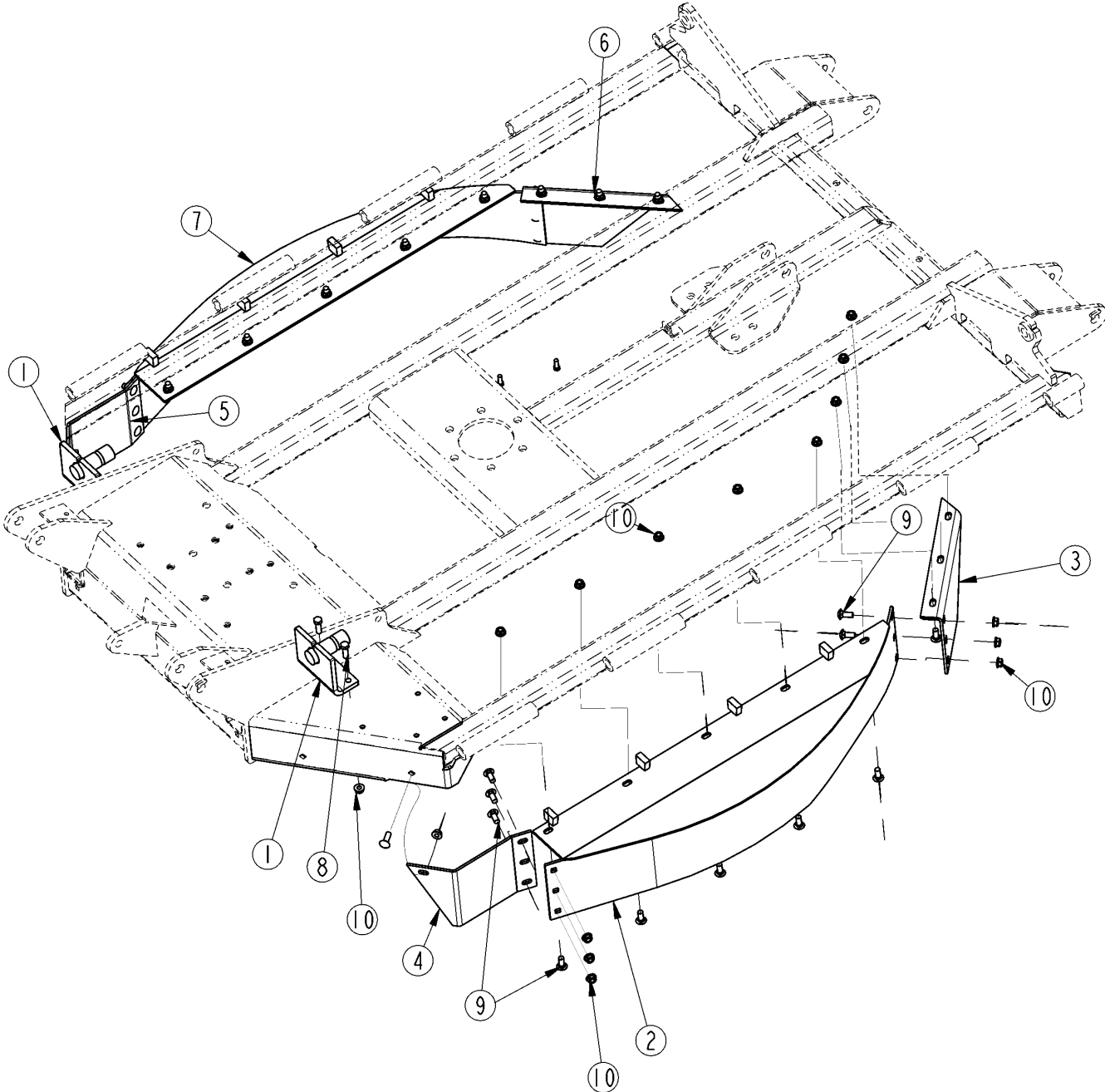
Label Placement

Applies to RCB6015

Ref	Part No.	Part Description	Comments	Revision
	dwg18318	Drawing Image Number		
1.	818-045C	DECAL WARNING PINCH PT/CRUSH		
2.	818-276C	DECAL WARNING OPERATING ANGLE		
3.	818-552C	DECAL DANGER PTO DRIVELINE		
4.	818-543C	DECAL DANGER PD GUARD MISS SML		
5.	838-585C	DECAL DOMINATOR	On Beige & Red Colored Units	
5.	838-636C	DECAL DOMINATOR GREEN	On Green Colored Units	
6.	818-190C	DECAL FLAG		
7.	818-130C	DECAL CAUTION 540 RPM		
8.	818-561C	DECAL DANGER RAISED WING HAZAR		
9.	818-230C	DECAL RED REFLECTOR		
10.	818-229C	DECAL AMBER REFLECTOR		
11.	818-680C	DECAL IMPORTANT - SLIP CLUTCH		
12.	818-681C	DECAL NOTICE - 20 MPH MAX		
13.	818-830C	DECAL SAFETY COMBO SUNWEST		
14.	818-564C	DECAL DANGER ROTATING BLADES		
15.	818-902C	DECAL LANDPRIDE 16" - BIEGE		
16.	818-939C	DECAL RC6015-BROWN		
17.	838-047C	DECAL RC6015-BEIGE		
18.	838-094C	DECAL WARNING HYD PRESS LONG		
19.	818-840C	DECAL DANGER ROLLOVER HAZARD		
20.	818-556C	DECAL DANGER THROWN OBJ CUTTER		
21.	818-540C	DECAL DANGER GUARD MISS PTO		
22.	838-243C	DECAL LANDPRIDE 30" BLACK		

Baffle Option (318-402A)

Applies to RCB6015



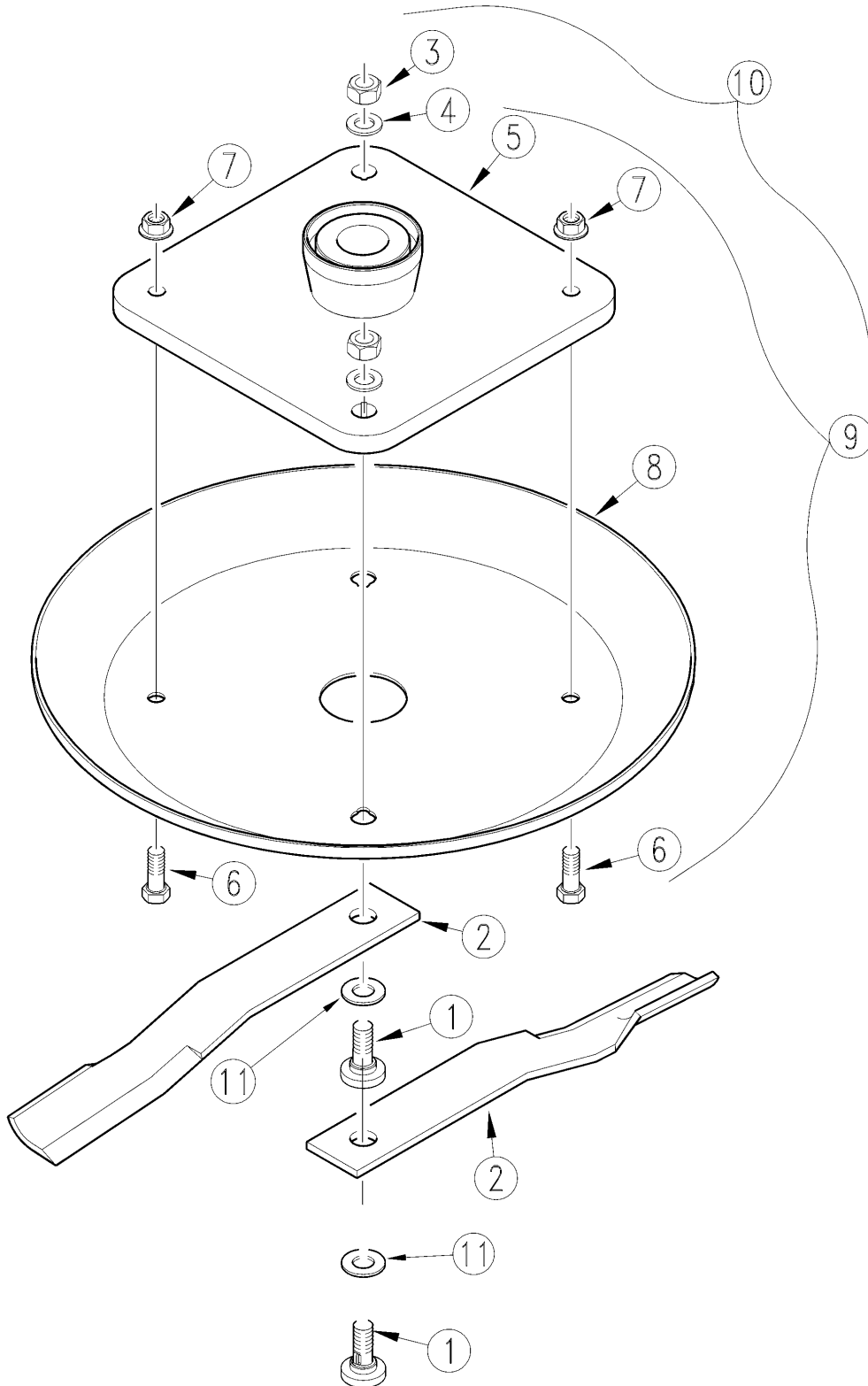
21261

Baffle Option (318-402A)**Applies to RCB6015**

Ref	Part No.	Part Description	Comments	Revision
	dwg21261	Drawing Image Number		
1.	318-282H	WLDMT.DRIVELINE STORAGE BRKT.		
2.	318-303H	WELDMENT CENTER BAFFLE LH.		
3.	318-308D	BAFFLE REAR MOUNTING PLATE LH.		
4.	318-346D	BAFFLE FRT. MOUNTING PLATE LH.		
5.	318-347D	BAFFLE FRT. MOUNTING PLATE RH.		
6.	318-383D	BAFFLE REAR MOUNTING PLATE RH.		
7.	318-403H	WELDMENT CENTER BAFFLE RH.		
8.	802-091C	HHCS 1/2-13X1 1/2 GR5		
9.	802-214C	RHSNB 1/2-13X1 1/4 GR5		
10.	803-037C	NUT HEX WHIZ 1/2-13 PLT		

Blade Carrier

Applies to RCBM6010, RCBM6015



18311

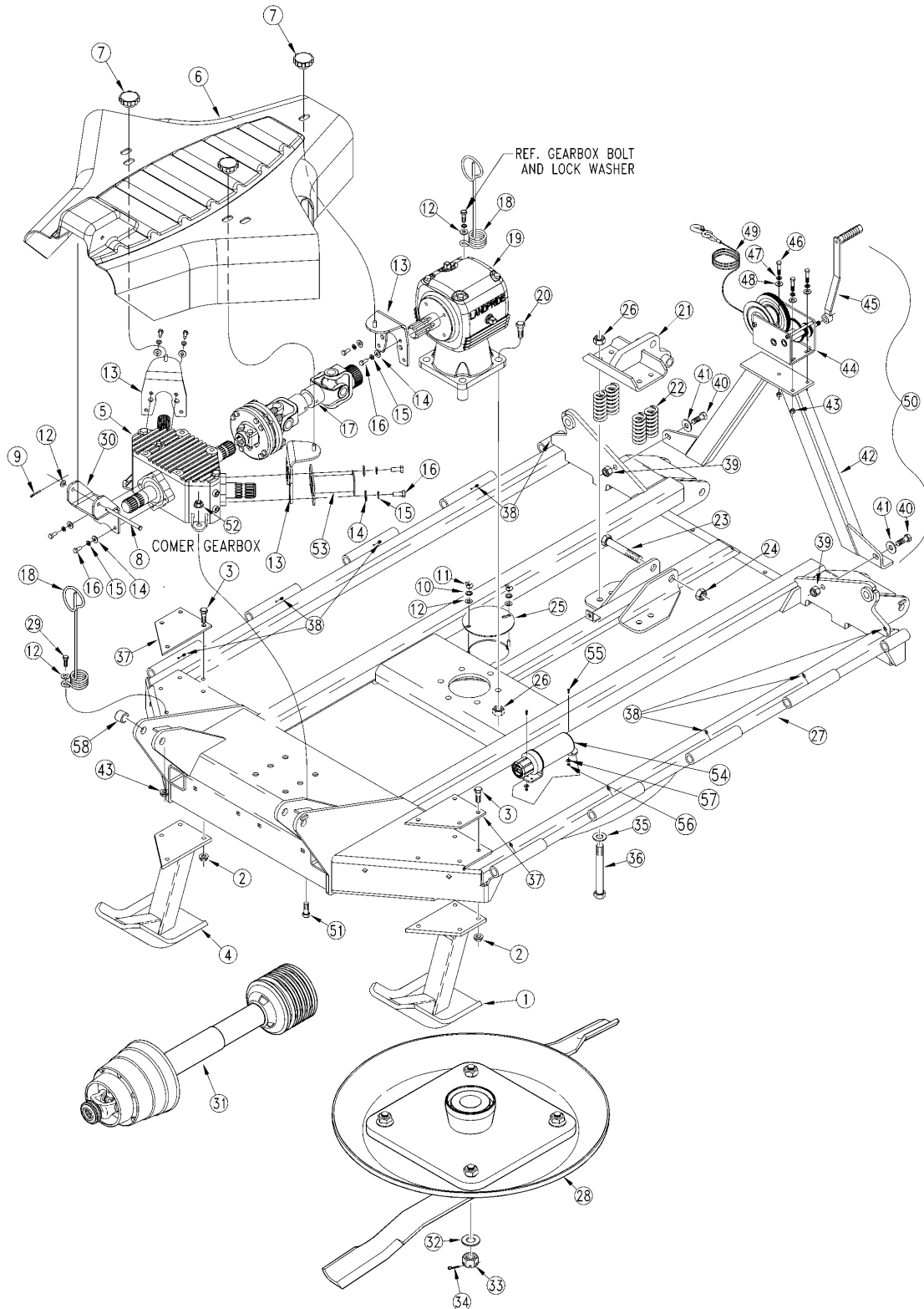
Blade Carrier

Applies to RCBM6010, RCBM6015

Ref	Part No.	Part Description	Comments	Revision
	dwg18311	Drawing Image Number		
1.	802-277C	BLADE BOL 1 1/8-12X3 7/16 W/KY		
2.	820-168C	CUTTER BLADE 1/2X4X29 CCW	Center Standard Blade Quantity 2	
2.	820-188C	CUTTER BLADE 1/2X4X29 LL CCW	Center Optional Blade Quantity 2	
2.	820-169C	CUTTER BLADE 1/2X4X23 CCW	RH Standard Blade Quantity 2	
2.	820-189C	CUTTER BLADE 1/2X4X23 LL CCW	RH Optional Blade Quantity 2	
2.	820-170C	CUTTER BLADE 1/2X4X23 CW	LH Standard Blade Quantity	
2.	820-190C	CUTTER BLADE 1/2X4X23 LL CW	LH Optional Blade Quantity 2	
3.	803-170C	NUT HEX TOP LOCK 1 1/8-12 PLT.		
4.	804-147C	WASHER FLAT 1 HARD ASTMF436 PN		
5.	318-364H	WLDMT. DP. 60 SERIES/U125 HUB	(S/N 325492+)	Rev. 2 not compat. w/Rev. 1.
5.	318-164H	WLDMT. DISHPAN	(S/N 325491-)	Rev. 1
6.	802-065C	HHCS 3/4-10X2 1/4 GR5		
7.	803-181C	NUT HEX FLANGE LOCK 3/4-10 PLT		
8.	318-190D	LARGE ROUND DISHPAN 3/16	OMNI/COMER	
9.	318-368V	ASSY. BLADE CARRIER	(S/N 325492+)	Rev. 2 not compat. w/Rev. 1.
9.	318-165V	ASSY. BLADE CARRIER	(S/N 325491-)	Rev. 1
10.	318-159S	ASSY. CCW BLADE CARRIER CTR.	Center Section (S/N 325491-)	
10.	318-161S	ASSY. CCW BLADE CARRIER RH.	RH wing (S/N 325491-)	
10.	318-163S	ASSY. CW BLADE CARRIER LH.	LH Wing (S/N 325491-)	
10.	318-369S	ASSY. CCW BLADE CARRIER CTR.	Center (S/N 325492+)	
10.	318-370S	ASSY. CCW BLADE CARRIER RH.	RH wing (S/N 325492+)	
10.	318-368V	ASSY. BLADE CARRIER	LH wing (S/N 325492+)	
11.	312-075D	BLADE SPACER 16 GA .06 thick	As Required	
11.	312-082D	BLADE SPACER 18 GA .05 thick	As Required	
11.	312-089D	BLADE SPACER 20 GA. .04 thick	As Required	
11.	312-808D	BLADE SPACER 24GA .03 thick	As Required	

Deck Center Section (1000 RPM) RCBM Series

Applies to RCBM6010, RCBM6015



23967

Deck Center Section (1000 RPM) RCBM Series**Applies to RCBM6010, RCBM6015**

Ref	Part No.	Part Description	Comments	Revision
	dwg23967	Drawing Image Number		
1.	318-146H	WLDMT. SKID SHOE LH.		
2.	803-037C	NUT HEX WHIZ 1/2-13 PLT		
3.	802-456C	HFS 1/2-13X2 GR8		
4.	318-145H	WLDMT. SKID SHOE RH.		
5.	826-180C	DIVIDER COMER 1000RPM 1 3/4-20		
6.	817-416C	PLASTIC DIVIDER BOX SHIELD		
7.	817-259C	KNOB 3/8-16 FEMALE THD 2 3/8OD		
8.	805-309C	PIN CLEVIS 3/8 X 5 1/2 PLT		
9.	805-045C	PIN COTTER 5/32 X 1 1/4 LG		
10.	804-013C	WASHER LOCK SPRING 3/8 PLT		
11.	803-231C	NUT WING 3/8-16 PLT		
12.	804-012C	WASHER FLAT 3/8 SAE PLT		
13.	318-401H	SHIELD BRACKET WELDMENT		
14.	804-010C	WASHER FLAT 5/16 USS PLT		
15.	804-009C	WASHER LOCK SPRING 5/16 PLT		
16.	802-007C	HHCS 5/16-18X3/4 GR5		
17.	826-184C	PTO INT. CAT.4 1000W/CLUTCH	Small 1000 rpm driveline	
17.	826-478C	PTO E60 X 21.7 1280NM CLUTCH	Large 1000 rpm driveline	
18.	807-023C	SPRING HOSE LOOP		
19.	826-323C	GBOX RCM60 1.75-20 1.21:1 CCW		
20.	805-065C	HHCS 3/4-10X2 1/4 GR5	(S/N 558465+)	
20.	802-064C	HHCS 3/4-10X2 GR5	(S/N 558464-)	
21.	318-169H	WLDMT. CYLINDER SPRING BASE		
22.	807-143C	SPRING COMP 1.88OD x .362W		
23.	802-235C	HHCS 1-8X5 GR5		
24.	803-168C	NUT HEX TOP LOCK 1-8 PLT		
25.	312-611D	BLADE BOLT ACCESS COVER		
26.	803-026C	NUT LOCK 3/4-10 PLT		
27.	318-568H	WLDMT. CENTER SECTION		
28.	318-369S	ASSY. CCW BLADE CARRIER CTR.		
29.	802-017C	HHCS 3/8-16X1 GR5		
30.	318-322D	FORMED HINGE BRACKET		
31.	826-477C	PTO CV V80 X 56.8 NO CLUTCH	Small 1000 rpm driveline	
31.	826-499C	PTO CV80 X 77.71 NO CLUTCH	Large 1000 rpm driveline	
32.	804-169C	WASHER HARDENED 1 1/8 USS		
33.	8.2.2.00560	CO CASTLE NUT M36X3		
34.	805-105C	PIN COTTER 1/4 X 2 1/2 PLT		
35.	804-028C	WASHER FLAT 1 USS PLT		
36.	802-070C	HHCS 3/4-10X6 GR5		
37.	318-167D	TOP PLATE SKID REINFORCEMENT		
38.	800-080C	GREASE ZERK 1/4-28 THD FORMING		
39.	803-271C	NUT HEX TOP LOCK 5/8-11 PLT		
40.	802-053C	HHCS 5/8-11X1 3/4 GR5		
41.	804-019C	WASHER FLAT 5/8 USS PLT		
42.	318-256H	WLDMT. WINCH		
43.	803-013C	NUT LOCK 3/8-16 PLT		
44.	890-671C	BRAKE WINCH DLB2000		
45.	890-679C	WINCH HANDLE 12" DBL2000		
46.	802-023C	HHCS 3/8-16X1 3/4 GR5		
47.	804-013C	WASHER LOCK SPRING 3/8 PLT		
48.	804-011C	WASHER FLAT 3/8 USS PLT		
49.	890-680C	WINCH CABLE AND HOOK		
50.	318-271A	MECHANICAL WINCH		
51.	802-058C	HHCS 5/8-11X2 1/2 GR5		
52.	803-271C	NUT HEX TOP LOCK 5/8-11 PLT		
53.	318-141H	WLDMT. SHAFT PROTECTOR		
54.	816-481C	MANUAL STORAGE CONTAINER	S/N 488627+	

RCBM6010 & RCBM6015 SERIES (1000 RPM)

Deck Center Section (1000 RPM) RCBM Series (continued)

Applies to RCBM6010, RCBM6015

Ref	Part No.	Part Description	Comments	Revision
55.	802-005C	HHCS 1/4-20X1 GR5	S/N 488627+	
56.	803-255C	NUT HEX NYLOCK 1/4-20	S/N 488627+	
57.	804-007C	WASHER FLAT 1/4 SAE PLT	S/N 488627+	
58.	890-005C	BUSHING CYL 1 1/4 X 1 X 1	S/N 509805+	

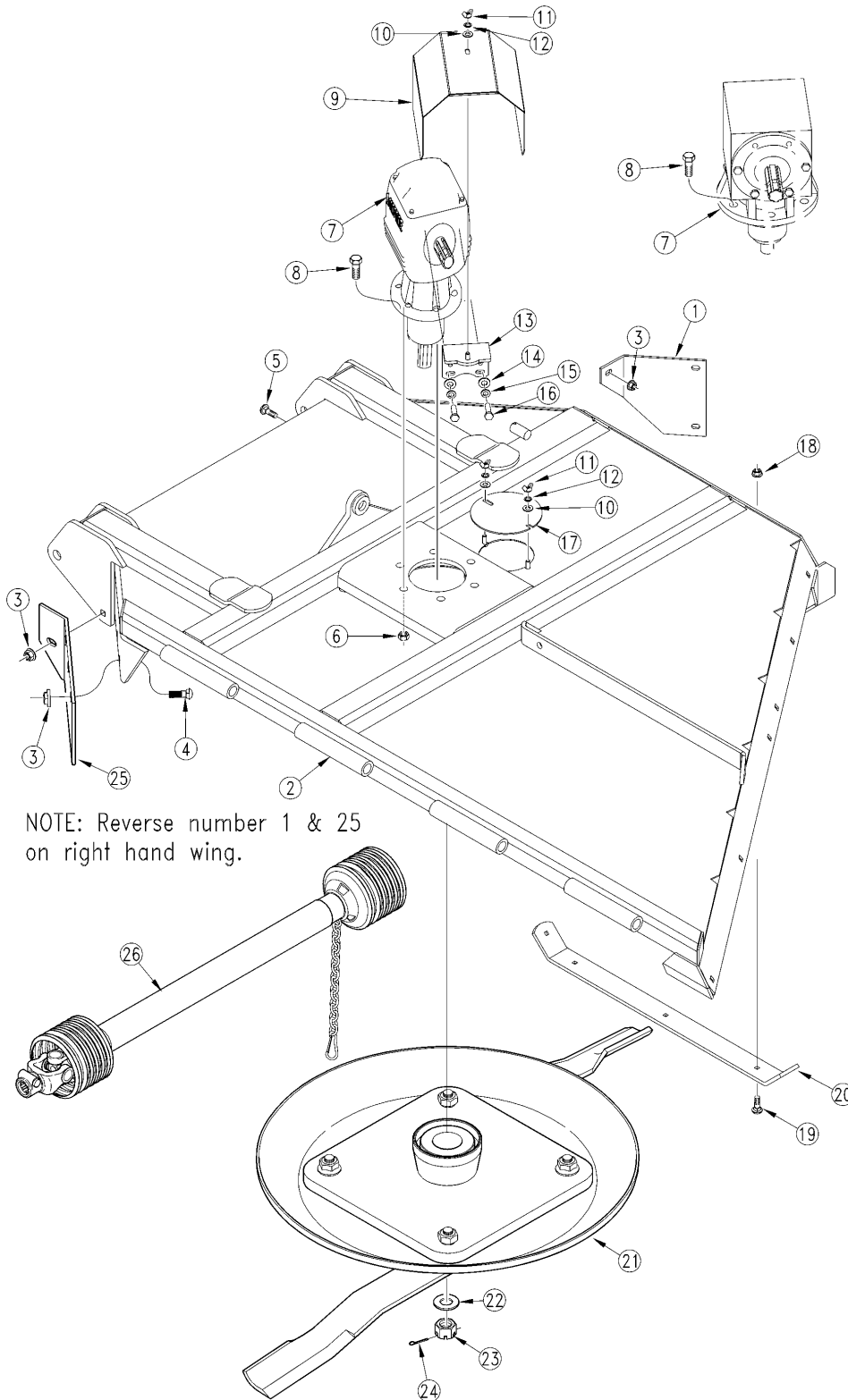
Deck Center Section (1000 RPM) RCBM Series (continued)

Applies to RCBM6010, RCBM6015

This Page Intentionally Left Blank

Deck Wing Section (1000 RPM)

Applies to RCBM6010, RCBM6015



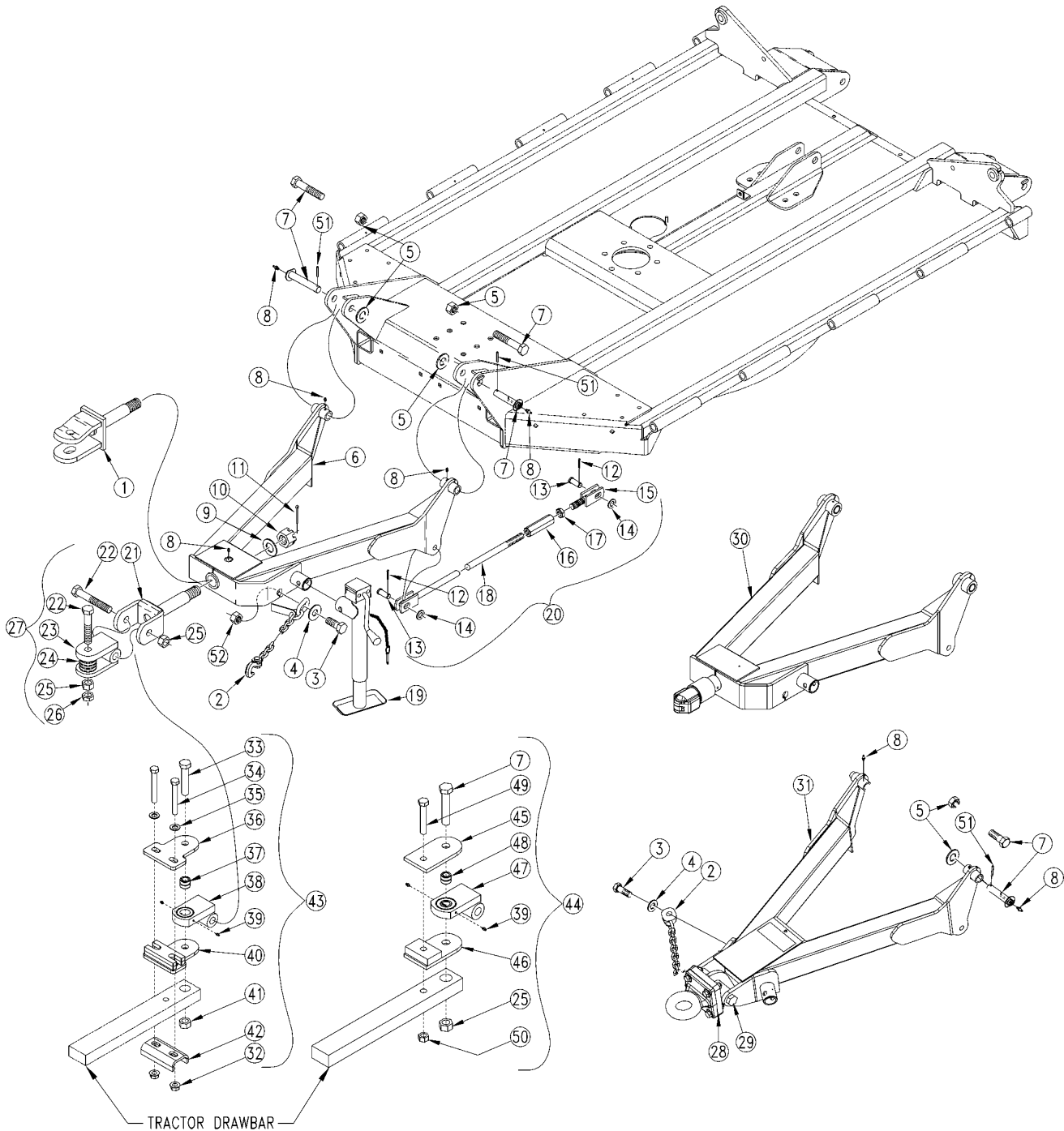
18310

Deck Wing Section (1000 RPM)**Applies to RCBM6010, RCBM6015**

Ref	Part No.	Part Description	Comments	Revision
	dwg18310	Drawing Image Number		
1.	318-087D	DEFLECTOR	LH Deck Shown	
1.	318-086D	DEFLECTOR	RH Deck	
2.	318-341H	WLDMT. WING RH. SECT. BID	(S/N 292792+)	Rev. 2 not compat. w/Rev. 1.
2.	318-258H	WLDMT. WING RH. SECT. BID	(S/N 292791-)	Rev. 1
2.	318-342H	WLDMT. WING LH. SECT. BID	(S/N 292792+)	Rev. 2 not compat. w/Rev. 1.
2.	318-259H	WLDMT. WING LH. SECT. BID	(S/N 292791-)	Rev. 1
3.	803-037C	NUT HEX WHIZ 1/2-13 PLT		
4.	802-214C	RHSNB 1/2-13X1 1/4 GR5		
5.	802-106C	RHSNB 1/2-13X1 1/2 GR5		
6.	803-026C	NUT LOCK 3/4-10 PLT		
7.	826-322C	GBOX RCM60 1.75-20 1:1.21 CCW	LH Deck	
7.	826-324C	GBOX RCM60 1.75-20 1:1.21 CW	RH Deck	
8.	802-065C	HHCS 3/4-10X2 1/4 GR5	(S/N 558465+)	
8.	802-064C	HHCS 3/4-10X2 GR5	(S/N 558464-)	
9.	312-399H	SHIELD WELDMENT		
10.	804-012C	WASHER FLAT 3/8 SAE PLT		
11.	803-231C	NUT WING 3/8-16 PLT		
12.	804-013C	WASHER LOCK SPRING 3/8 PLT		
13.	312-400H	SHIELD MOUNT BRACKET WELDMENT		
14.	804-010C	WASHER FLAT 5/16 USS PLT		
15.	804-009C	WASHER LOCK SPRING 5/16 PLT		
16.	802-007C	HHCS 5/16-18X3/4 GR5		
17.	312-611D	BLADE BOLT ACCESS COVER		
18.	803-198C	NUT HEX WHIZ 3/8-16 PLT		
19.	802-466C	PLOW 3/8-16X1 1/4 GR5		
20.	318-335D	SKID SHOE	(S/N 292792+)	Rev. 2 not compat. w/Rev. 1.
20.	318-096D	SKID SHOE	(S/N 292791-)	Rev. 1
21.	318-370S	ASSY. CCW BLADE CARRIER RH.	RH Deck	
21.	318-371S	ASSY. CW BLADE CARRIER LH.	LH Deck	
22.	0.288.7101.00	CO BLANK WASHER		
22.	804-169C	WASHER HARDENED 1 1/8 USS		
23.	8.2.2.00560	CO CASTLE NUT M36X3	(S/N 325-492+)	
23.	120092	OMNI NUT HEX SLOTTED, 1 1/4	(S/N 325-491-)	
24.	805-105C	PIN COTTER 1/4 X 2 1/2 PLT		
25.	318-171D	DEFLECTOR FLAT LH.	Shown	
25.	318-170D	DEFLECTOR FLAT RH.		
26.	826-481C	PTO V80 X 59.3 1280NM CLUTCH	(S/N 461935 to 461937, 468573+)	Rev. 2
26.	826-262C	RPBY 826-481C		Rev. 1
26.	826-185C	PTO CAT.4 W/CLUTCH 1 3/4-20		

Hitch

Applies to RCBM6010, RCBM6015



18308

Hitch**Applies to RCBM6010, RCBM6015**

Ref	Part No.	Part Description	Comments	Revision
	dwg18308	Drawing Image Number		
	318-678L	ASSY. SWIVEL TONGUE	(S/N 419602+)	Rev. 2 not compat. w/Rev. 1.
	318-254L	ASSY. SWIVEL TONGUE	Includes items 1 through 11 (S/N 419601-1)	Rev. 1
1.	318-253H	WLDMT. SWIVEL HITCH	(S/N 306742-)	
2.	890-182C	SAFETY CHAIN 10000 LB		
3.	802-096C	HHCS 1-8X2 1/2 GR5		
4.	804-028C	WASHER FLAT 1 USS		
5.	804-029C	WASHER FLAT 1 SAE	S/N 489026+	
5.	803-168C	NUT HEX TOP LOCK 1-8 PLT	S/N 489025-	
6.	318-694H	WLDMT. SWIVEL TONGUE	(S/N 419602+)	Rev. 2 not compat. w/Rev. 1.
6.	318-252H	WLDMT. SWIVEL TONGUE	(S/N 419601-)	Rev. 1
7.	318-850H	WLDMT. PVT. PIN TONGUE	S/N 489026+	
7.	802-235C	HHCS 1-8X5 GR5	S/N 489025-	
8.	800-080C	GREASE ZERK 1/4-28 THD FORMING		
9.	804-171C	WASHER FLAT 1 3/8HARD ASTM436		
10.	803-301C	NUT HEX SLOTTED 1 1/2-6 PLT		
11.	805-105C	PIN COTTER 1/4 X 2 1/2 PLT		
12.	805-045C	PIN COTTER 5/32 X 1 1/4 LG		
13.	805-083C	PIN CLEVIS 3/4 X 1 1/2		
14.	804-025C	WASHER FLAT 3/4 SAE PLT		
15.	318-008H	WLDMT. LEVEL ROD SHORT		
16.	803-265C	NUT HEX COUPLER 7/8-9 x 5		
17.	803-075C	NUT HEX JAM 7/8-9		
18.	318-007H	WLDMT. LEVEL ROD LONG		
19.	890-226C	SIDEWIND JACK 5000 LB		
20.	318-052L	ASSY. LEVEL ROD	Includes items 12 through 18	
21.	318-358H	SHAFT WELDMENT	(S/N 306743+)	
22.	802-074C	HHCS 1-8X6 1/2 GR5	(S/N 306743+)	
23.	318-357H	CLEVIS WELDMENT	(S/N 306743+)	
24.	804-028C	WASHER FLAT 1 USS PLT	(S/N 306743+)	
25.	803-168C	NUT HEX TOP LOCK 1-8 PLT	(S/N 306743+)	
26.	803-030C	NUT HEX JAM 1-8 PLT	(S/N 306743+)	
27.	318-356S	ASSY. SWIVEL CLEVIS	(S/N 306743+)	
28.	318-555S	ASSY. PINTLE HITCH CLEVIS		
29.	802-110C	HHCS 1-8X9 GR5		
30.	318-688H	WLDMT. BALL HITCH TONGUE	(S/N 419602+)	Rev. 2 not compat. w/Rev. 1.
30.	318-406H	WLDMT. BALL HITCH TONGUE	(S/N 419601-)	Rev. 1
31.	318-570H	WLDMT. TONGUE	(S/N 419602+)	Rev. 2 not compat. w/Rev. 1.
31.	318-004H	WLDMT. TONGUE	(S/N 419601-)	Rev. 1
32.	803-181C	NUT HEX FLANGE LOCK 3/4-10 PLT		
33.	802-235C	HHCS 1-8X5 GR5		
34.	802-594C	HHCS 3/4-10X5 1/2 GR5		
35.	804-025C	WASHER FLAT 3/4 SAE PLT		
36.	318-691D	HITCH TOP PLATE		
37.	890-862C	BUSHING 1.50ODX1.00IDX1.25		
38.	318-834H	WELDMENT HITCH CLEVIS		
39.	800-001C	GREASE ZERK STRAIGHT 1/4-28		
40.	318-835H	WELDMENT HITCH BASE		
41.	803-168C	NUT HEX TOP LOCK 1-8 PLT		
42.	318-693D	FORMED HITCH SUPPORT		
43.	318-833S	ASSY. PIVOT-CLAMP HITCH		Rev. 2
44.	318-746S	REPLACE WITH 318-833S	(See Item 43)	Rev 1; Use up stock
45.	318-661D	REPLACE WITH 318-833S	(See Item 43)	Rev 1; Use up stock
46.	318-745H	REPLACE WITH 318-833S	(See Item 43)	Rev 1; Use up stock
47.	318-744H	REPLACE WITH 318-833S	(See Item 43)	Rev 1; Use up stock
48.	890-858C	BUSHING 1.50ODX1.00IDX1.00	Included with item 47	
49.	802-192C	HHCS 3/4-10X4 1/2 GR5		

RCBM6010 & RCBM6015 SERIES (1000 RPM)

Hitch (continued)**Applies to RCBM6010, RCBM6015**

Ref	Part No.	Part Description	Comments	Revision
50.	803-026C	NUT LOCK 3/4-10 PLT		
51.	805-146C	PIN ROLL 1/4 X 2 LG PL	S/N 489026+	
52.	803-168C	NUT HEX TOP LOCK 1-8 PLT		

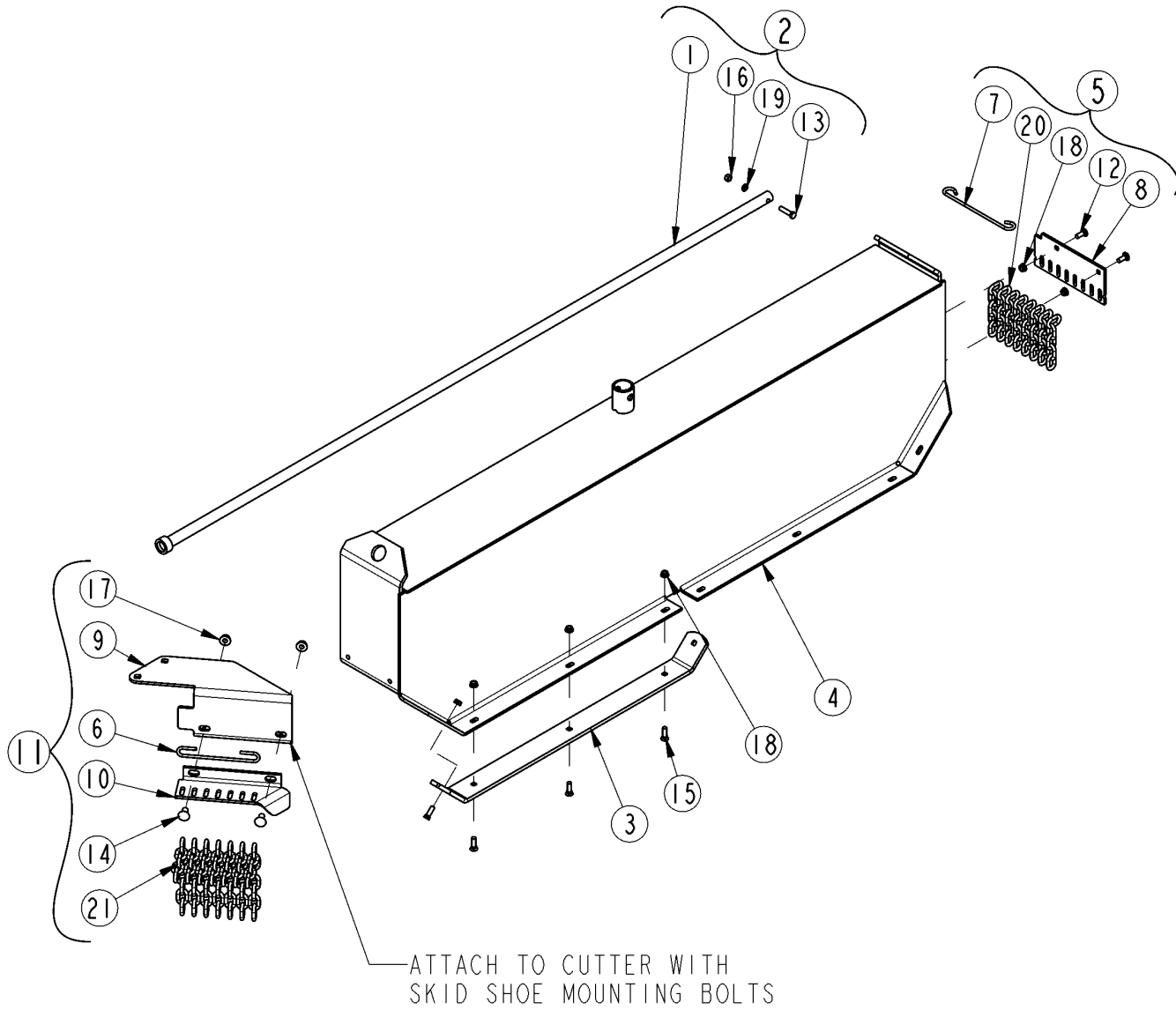
Hitch (continued)

Applies to RCBM6010, RCBM6015

This Page Intentionally Left Blank

Weight Box

Applies to RCBM6010, RCBM6015



22213

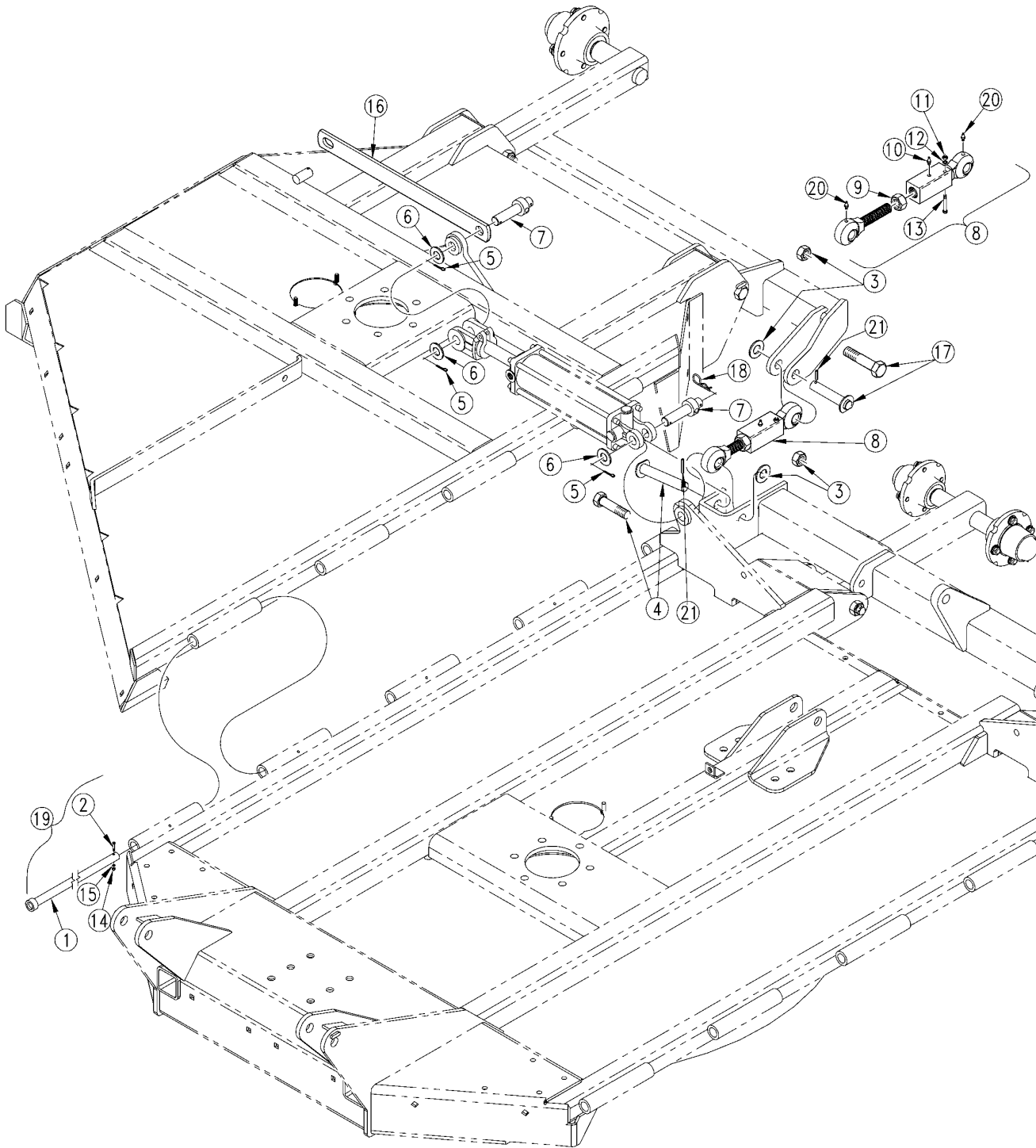
Weight Box

Applies to RCBM6010, RCBM6015

Ref	Part No.	Part Description	Comments	Revision
	dwg22213	Drawing Image Number		
1.	318-017H	WLDMT. HINGE ROD		
2.	318-055L	ASSY. HINGE ROD		
3.	318-096D	SKID SHOE		
4.	318-107H	WLDMT WEIGHT BOX RH. WING		
5.	318-111K	ASSY. REAR CHAINGUARD		
6.	318-160D	ROD 1/4 X 11		
7.	318-196D	ROUND ROD 1/4 X 12 1/2		
8.	318-198D	REAR CHAINGUARD		
9.	318-353D	CHAINGUARD MOUNTING PLATE LH.		
10.	318-354D	FRONT CHAINGUARD LH		
11.	318-354K	ASSY. FRT.CG.WT.BOX RH.WING		
12.	802-015C	RHSNB 3/8-16X1 GR5		
13.	802-022C	HHCS 3/8-16X1 1/2 GR5		
14.	802-183C	RHSNB 1/2-13X1 GR5		
15.	802-466C	PLOW 3/8-16X1 1/4 GR5		
16.	803-014C	NUT HEX 3/8-16 PLT		
17.	803-037C	NUT HEX WHIZ 1/2-13 PLT		
18.	803-198C	NUT HEX WHIZ 3/8-16 PLT		
19.	804-013C	WASHER LOCK SPRING 3/8 PLT		
20.	890-341C	CHAIN WELD 5/16 PROOF X 5 LINK		
21.	890-393C	CHAIN WELD 5/16 PROOF X 7-LINK		

Wing Turnbuckle and Transport Bar

Applies to RCBM6010, RCBM6015



18312

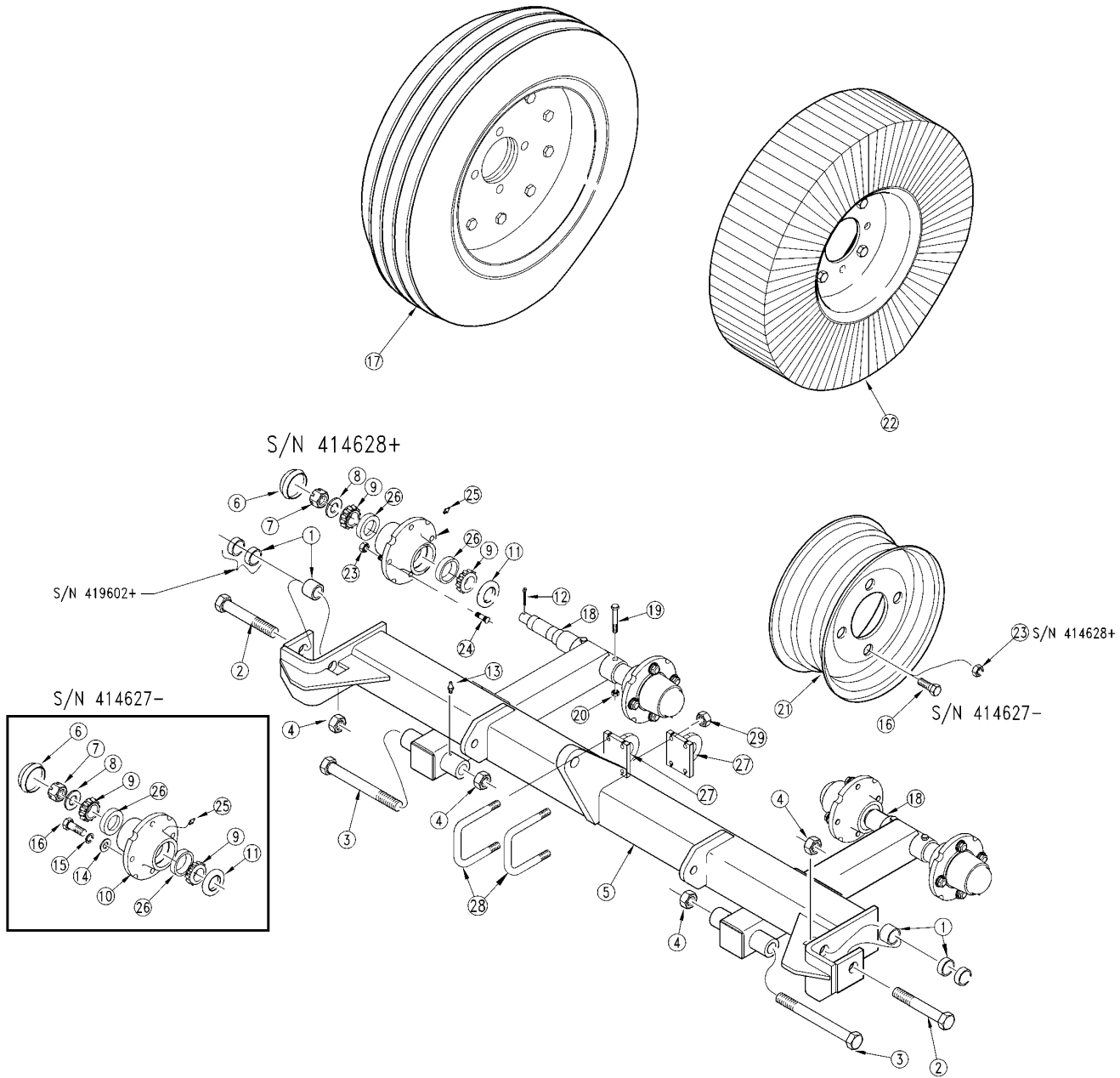
Wing Turnbuckle and Transport Bar**Applies to RCBM6010, RCBM6015**

Ref	Part No.	Part Description	Comments	Revision
	dwg18312	Drawing Image Number		
1.	318-017H	WLDMT. HINGE ROD		
2.	802-022C	HHCS 3/8-16X1 1/2 GR5		
3.	804-029C	WASHER FLAT 1 SAE	S/N 489026+	
3.	803-168C	NUT HEX TOP LOCK 1-8 PLT	S/N 489025-	
4.	318-854H	WLDMT. PVT. PIN TURNBUCKLE	S/N 489026+	
4.	802-205C	HHCS 1-8X5 1/2 GR5	S/N 222150 to 489025	
4.	802-235C	HHCS 1-8X5 GR5	S/N 222149-	
5.	805-104C	PIN COTTER 3/16 X 1 1/2 PLT		
6.	804-029C	WASHER FLAT 1 SAE		
7.	318-018H	WLDMT. CYLINDER PIN		
8.	890-893C	TURNBUCKLE 1BORE W/SWIVEL 9.43	S/N 419602+	
8.	890-506C	TURNBUCKLE 1BORE W/SWIVELS	S/N 419601- Includes items 9 thru 13 & 20	
9.	803-266C	NUT HEX JAM 1 1/8-7 PLTD.		
10.	800-130C	GREASE ZERK STRAIGHT 1/8-27NPT		
11.	803-008C	NUT HEX 5/16-18 PLT		
12.	804-009C	WASHER LOCK SPRING 5/16 PLT		
13.	802-649C	HHCS 5/16-18X2 1/2 GR8		
14.	803-014C	NUT HEX 3/8-16 PLT		
15.	804-013C	WASHER LOCK SPRING 3/8 PLT		
16.	318-040D	TRANSPORT BAR		
17.	318-853H	WLDMT. PVT. PIN TURNBUCKLE	S/N 489026+	
17.	802-073C	HHCS 1-8X4 GR5	S/N 489025-	
18.	805-088C	PIN, HAIR COTTER 3/16 WIRE DIA		
19.	318-055L	ASSY. HINGE ROD	Includes items 1, 2, 17 & 18	
20.	800-001C	GREASE ZERK STRAIGHT 1/4-28		
21.	805-146C	PIN ROLL 1/4 X 2 LG PL	S/N 489026+	

RCBM6010 & RCBM6015 SERIES (1000 RPM)

Axle Center Deck (S/N 489025-)

Applies to RCBM6010, RCBM6015



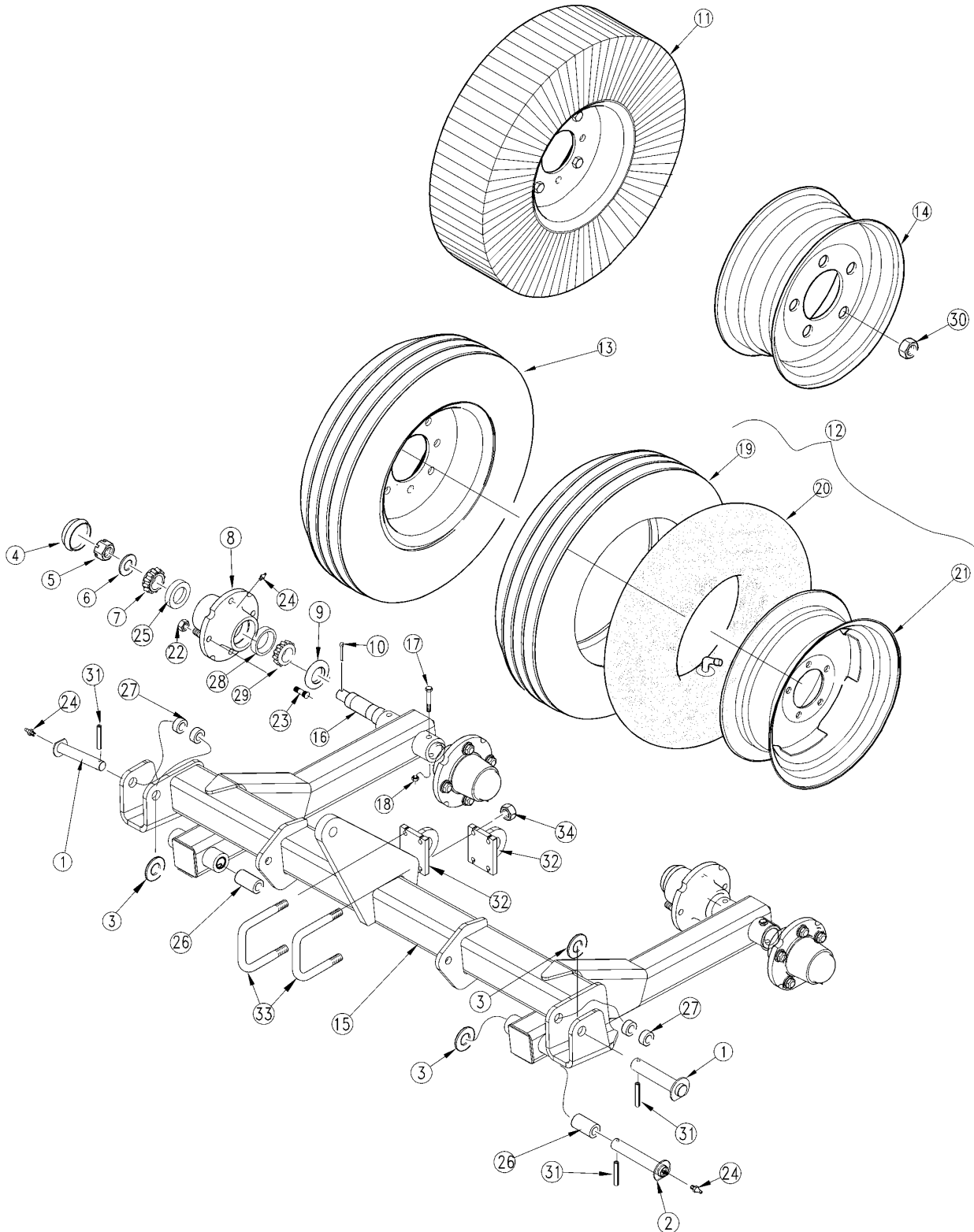
18313

Axle Center Deck (S/N 489025-)**Applies to RCBM6010, RCBM6015**

Ref	Part No.	Part Description	Comments	Revision
	dwg18313	Drawing Image Number		
1.	827-001C	SPACER 1/2	(S/N 491602+)	
1.	318-085D	SPACER 1 1/2OD X .234W X 1	(S/N 491601-)	
2.	802-205C	HHCS 1-8X5 1/2 GR5		
3.	802-110C	HHCS 1-8X9 GR5		
4.	803-168C	NUT HEX TOP LOCK 1-8 PLT		
5.	318-623H	WLDMT. STD. CENTER AXLE	(S/N 419602+)	Rev. 2 not compat. w/Rev. 1.
5.	318-188H	WLDMT. CENTER AXLE	(S/N 419601-)	Rev. 1
6.	200-001D	HUB GREASE CAP		
7.	803-029C	NUT HEX SLOTTED 7/8-14 PLT		
8.	804-055C	WASHER SPINDLE - 7/8		
9.	822-091C	BEARING CONE 15123		
10.	815-230C	HUB 4 BLT W/CUPS, ZERK & STUDS	(S/N 414628+) W/CUPS, ZERK & STUDS	Rev. 2
10.	815-093C	HUB 4 BOLT WHL W/CUPS & ZERK	(S/N 414627-) W/CUPS & ZERK	Rev. 1
11.	816-098C	SEAL 1 3/8 ID X 2.441 OD X .313		
12.	805-016C	PIN COTTER 3/16 X 1 1/4 PLT		
13.	800-080C	GREASE ZERK 1/4-28 THD FORMING		
14.	804-016C	WASHER FLAT 1/2 SAE PLT	Use with 17 & 22 S/N 414627-	
15.	804-015C	WASHER LOCK SPRING 1/2 PLT	Use with 17 & 22 S/N 414627-	
16.	802-240C	HHCS 1/2-20X1 GR5	Use with 17 & 22 S/N 414627-	
16.	802-104C	BOLT WHEEL 1/2-20X1 90-DEG	Use with 21 S/N 414627-	
17.	814-263C	AC TIRE 24 X 7.7 2PC	(S/N 419602+)	Rev. 3
17.	814-201C	AC TIRE 27x7.75x15 MOUNTED	(S/N 419601-)	Rev. 2
17.	814-086C	TIRE 25.5 X 8.0-14 - MOUNTED	(S/N 419601-)	Rev. 1
17.	814-262C	AC TIRE 24 x 7.7 2PC FOAM FILL	(S/N 419602+)	Rev. 3
17.	814-202C	AC TIRE 27X7.75X15 MOUNTED FF	(S/N 419601-)	Rev. 2
17.	814-189C	TIRE 25.5 X 8.0-14 - AIR/FOAM	(S/N 419601-)	Rev. 1
18.	815-141C	SPINDLE - DUAL AXLE BOLT ON	(S/N 419602+)	Rev. 2 not compat. w/Rev. 1.
18.	815-109C	SPINDLE - DUAL AXLE BOLT ON	(S/N 419601-)	Rev. 1
19.	802-099C	HHCS 1/2-13X3 1/4 GR5		
20.	803-019C	NUT LOCK 1/2-13 PLT		
21.	814-066C	WHEEL 15 X 5 X 4 BOLT		
22.	814-059C	TIRE & WHEEL LAM. 6X9X21(TALL)		
23.	803-308C	NUT HEX FLG/LK 1/2-20 PLT.GR.G	Use with 17 & 22 S/N 414628+	
23.	803-017C	NUT LUG 1/2-20X90DEG PLT 13/16	Use with 21 S/N 414628+	
24.	802-135C	HUB STUD 1/2-20X1 5/8 GR5	S/N 414628+	
25.	800-001C	GREASE ZERK STRAIGHT 1/4-28		
26.	822-092C	BEARING CUP 15245		
27.	318-313H	WELDMENT CHAIN ATTACH		
28.	806-026C	U-BOLT 1/2-13 X 7 1/32 X 8 1/4		
29.	803-263C	NUT HEX FLANGE LOCK 5/8-11		

Axle Center Deck (S/N 489026+)

Applies to RCBM6010, RCBM6015



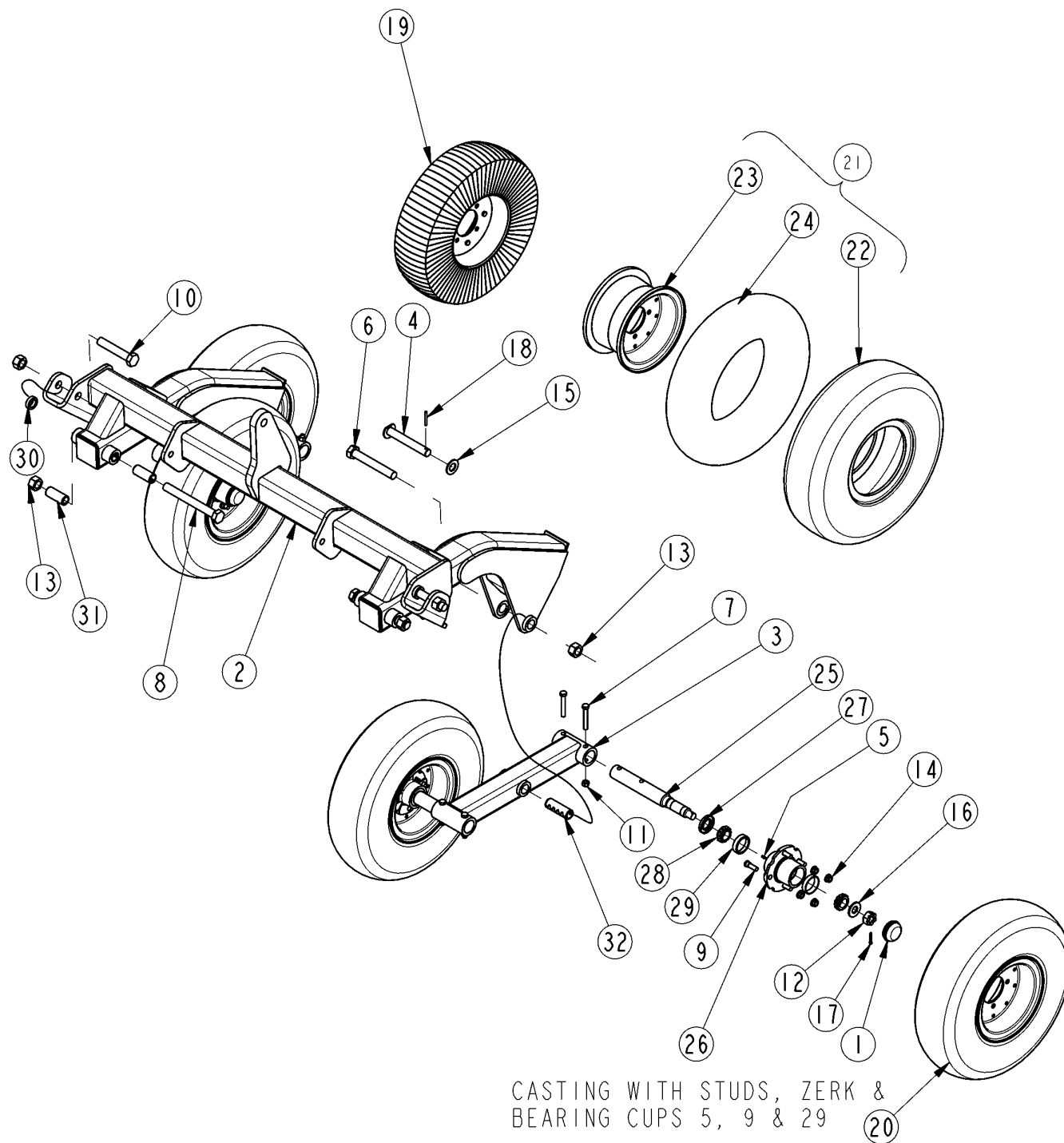
24521

Axle Center Deck (S/N 489026+)**Applies to RCBM6010, RCBM6015**

Ref	Part No.	Part Description	Comments	Revision
	dwg23962	Drawing Image Number		
1.	318-854H	WLDMT. PVT. PIN TURNBUCKLE		
2.	318-851H	WLDMT. PVT. PIN CTR. AXLE STD.		
3.	804-029C	WASHER FLAT 1 SAE		
4.	200-001D	HUB GREASE CAP		
5.	803-053C	NUT HEX SLOTTED 3/4-16		
6.	804-216C	WASHER HARDENED .81ID		
7.	822-021C	BEARING CONE LM-67048		
8.	815-243C	HUB 5-BOLT W/CUPS/STUDS		
9.	816-497C	SEAL 1.75ID CR17617		
10.	805-246C	PIN COTTER 5/32 X 1 3/4 LG		
11.	814-265C	TIRE & WHL LAM. 6X9X21(5-BOLT)		
12.	814-285C	AC TIRE 24 X 7.7 2PC. 5-BOLT		
13.	814-288C	AC TIRE FF 24X7.7 2PC 5-BOLT		
14.	814-284C	WHEEL 15 X 5 X 5 BOLT		
15.	318-623H	WLDMT. STD. CENTER AXLE		
16.	815-240C	SPINDLE-DUAL BOLT-ON		
17.	802-099C	HHCS 1/2-13X3 1/4 GR5		
18.	803-019C	NUT LOCK 1/2-13 PLT		
19.	814-295C	TIRE 24X7.7-14 (814-285C)		
20.	814-297C	TUBE FOR 24X7.7-14 (814-285C)		
21.	814-296C	RIM 2PC 5BLT 10X6		
22.	803-310C	NUT HEX 1/2-20 X 5/8 HIGH		
23.	802-779C	HUB STUD 1/2-20X1.88 GR5		
24.	800-080C	GREASE ZERK 1/4-28 THD FORMING		
25.	822-020C	BEARING CUP LM-67010		
26.	890-766C	BUSHING 1.25ODX1.00IDX3.00		
27.	827-001C	SPACER 1/2		
28.	822-033C	BEARING CUP LM-48510		
29.	822-034C	BEARING CONE LM-48548		
30.	802-017C	NUT LUG 1/2-20X90DEG PLT 13/16		
31.	805-146C	PIN ROLL 1/4 X 2 LG PL		
32.	318-313H	WELDMENT CHAIN ATTACH		
33.	806-026C	U-BOLT 1/2-13 X 7 1/32 X 8 1/4		
34.	803-263C	NUT HEX FLANGE LOCK 5/8-11 PLT		

Axle Tandem Center Deck (S/N 419602 to 489025)

Applies to RCBM6010, RCBM6015



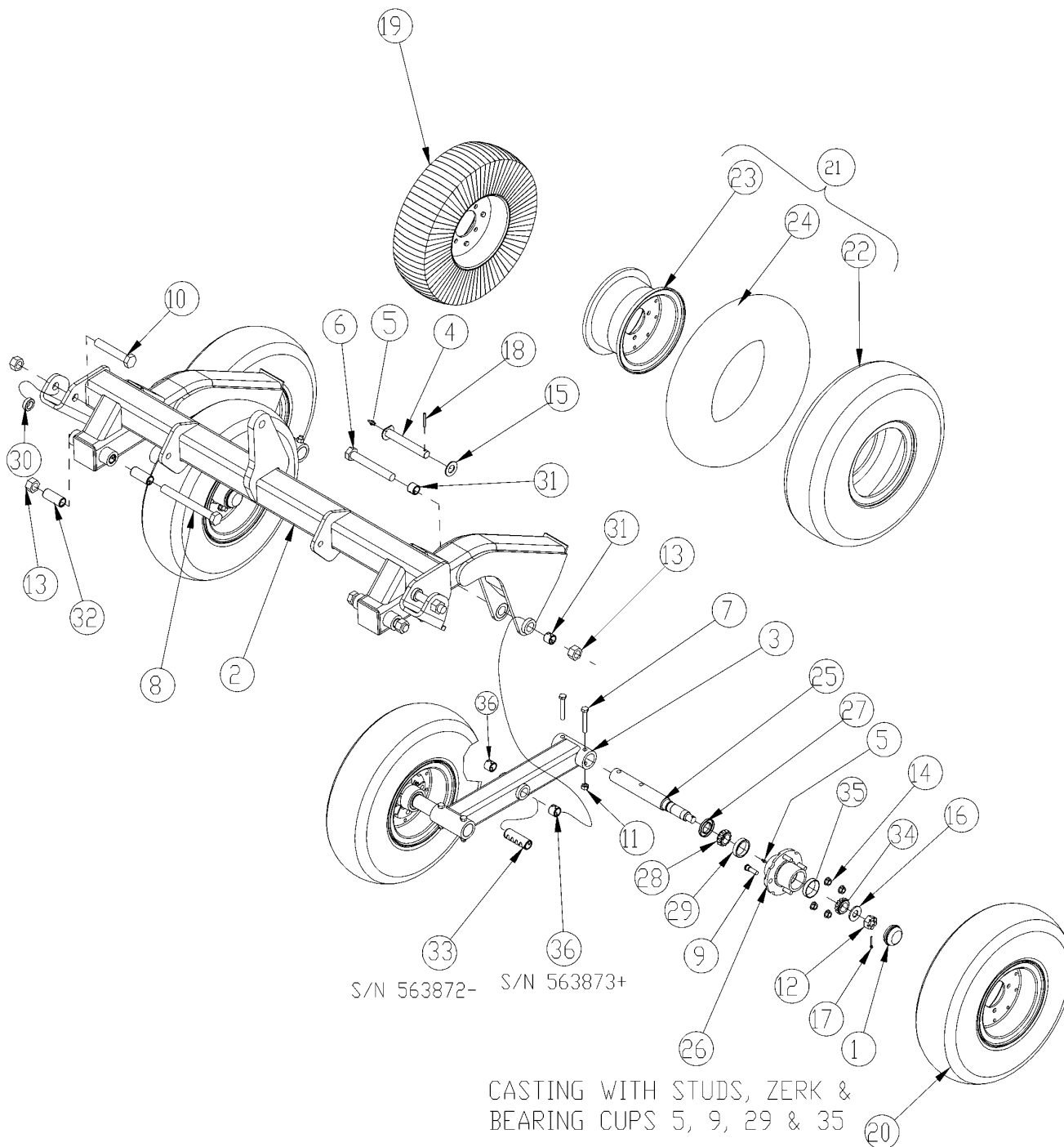
22084

Axle Tandem Center Deck (S/N 419602 to 489025)**Applies to RCBM6010, RCBM6015**

Ref	Part No.	Part Description	Comments	Revision
	dwg22084	Drawing Image Number		
1.	200-001D	HUB GREASE CAP		
2.	318-571H	WLDMT. CENTER AXLE		
3.	318-573H	WLDMT. TANDEM ARM		
4.	318-855H	WLDMT. PVT. PIN WALKING TANDEM	Optional	
5.	800-001C	GREASE ZERK STRAIGHT 1/4-28		
6.	802-357C	HHCS 1-8X6 GR5		
7.	802-099C	HHCS 1/2-13X3 1/4 GR5		
8.	802-110C	HHCS 1-8X9 GR5		
9.	802-135C	HUB STUD 1/2-20X1 5/8 GR5		
10.	802-205C	HHCS 1-8X5 1/2 GR5		
11.	803-019C	NUT LOCK 1/2-13 PLT		
12.	803-029C	NUT HEX SLOTTED 7/8-14 PLT		
13.	803-168C	NUT HEX TOP LOCK 1-8 PLT		
14.	803-308C	NUT HEX FLG/LK 1/2-20 PLT.GR.G		
15.	804-029C	WASHER FLAT 1 SAE	Optional	
16.	804-055C	WASHER SPINDLE - 7/8		
17.	805-016C	PIN COTTER 3/16 X 1 1/4 PLT		
18.	805-146C	PIN ROLL 1/4 X 2 LG PL	Optional	
19.	814-059C	TIRE & WHEEL LAM. 6X9X21 (TALL)		
20.	814-262C	AC TIRE 24 x 7.7 2PC FOAM FILL		
21.	814-263C	AC TIRE 24 X 7.7 2PC		
22.	814-266C	TIRE 24X7.7-14 (814-263C)		
23.	814-267C	RIM 2PC. 4BLT 10X6 BLACK		
24.	814-268C	TUBE FOR 24X7.7-14 (814-263C)		
25.	815-199C	SPINDLE - SINGLE BOLT ON 14IN		
26.	815-230C	HUB 4 BLT W/CUPS, ZERK & STUDS	W/CUPS, ZERK & STUDS	
27.	816-098C	SEAL 1 3/8 ID X 2.441 OD X.313		
28.	822-091C	BEARING CONE 15123		
29.	822-092C	BEARING CUP 15245		
30.	827-001C	SPACER 1/2		
31.	890-766C	BUSHING 1.25ODX1.00IDX3.00		
32.	890-817C	BUSHING 1.25ODX1.00IDX3.75		

Axle Tandem Center Deck (S/N 489026+)

Applies to RCBM6010, RCBM6015



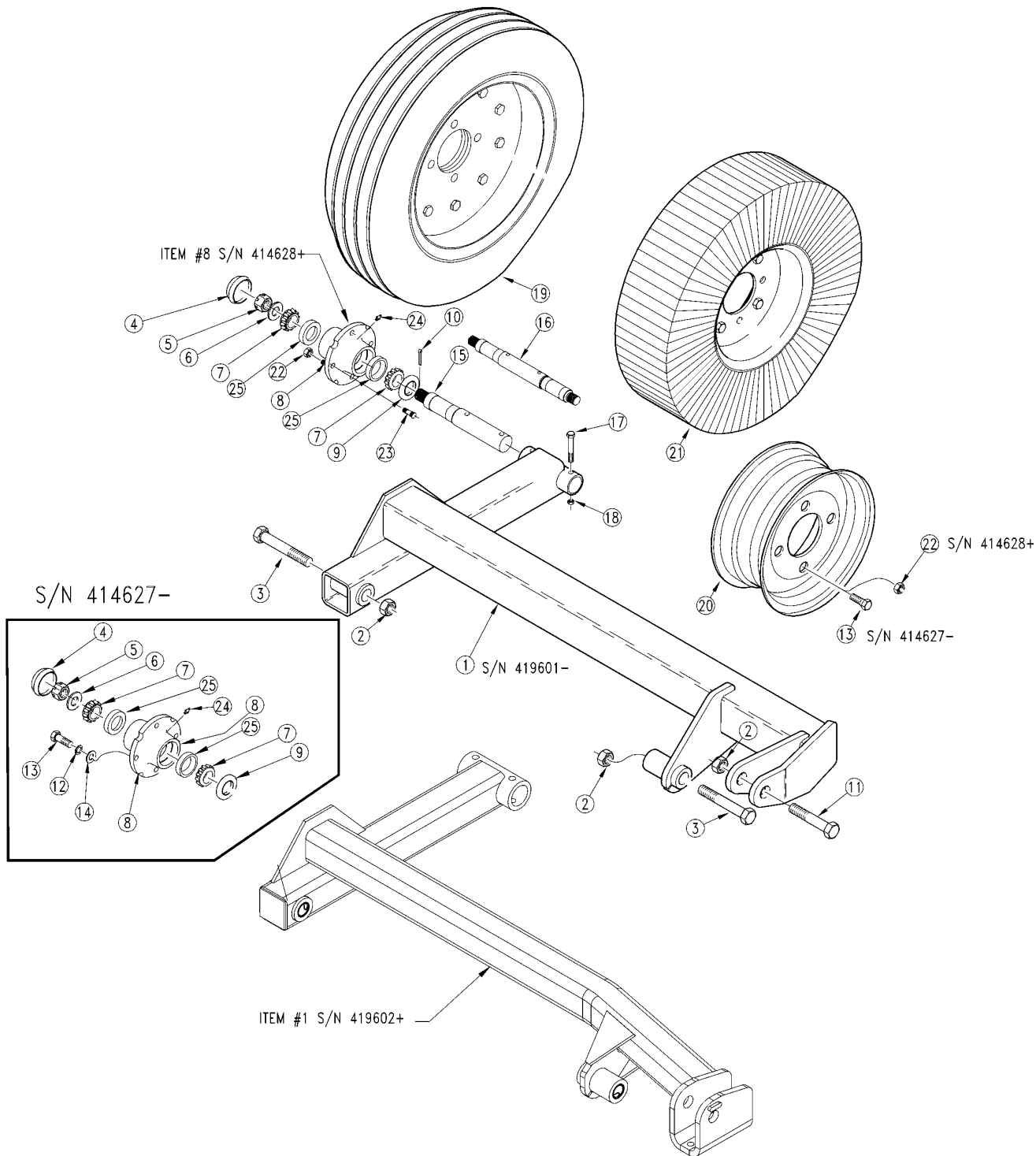
23964

Axle Tandem Center Deck (S/N 489026+)**Applies to RCBM6010, RCBM6015**

Ref	Part No.	Part Description	Comments	Revision
	dwg23964	Drawing Image Number		
1.	200-001D	HUB GREASE CAP		
2.	318-571H	WLDMT. CENTER AXLE	Added Hardened Bushings	
3.	318-573H	WLDMT. TANDEM ARM		
4.	318-966H	WLDMT. PVT. PIN WALKING TANDEM	Optional	
5.	800-080C	GREASE ZERK 1/4-28 THD FORMING	Optional W/ #4	
6.	802-075C	HHCS 1-8X7 GR5		
7.	802-099C	HHCS 1/2-13X3 1/4 GR5		
8.	802-110C	HHCS 1-8X9 GR5		
9.	802-779C	HUB STUD 1/2-20X1.88 GR5		
10.	802-205C	HHCS 1-8X5 1/2 GR5		
11.	803-019C	NUT LOCK 1/2-13 PLT		
12.	803-053C	NUT HEX SLOTTED 3/4-16		
13.	803-168C	NUT HEX TOP LOCK 1-8 PLT		
14.	803-310C	NUT HEX 1/2-20 X 5/8 HIGH		
15.	804-029C	WASHER FLAT 1 SAE	Optional	
16.	804-216C	WASHER HARDENED .81ID		
17.	805-246C	PIN COTTER 5/32 X 1 3/4 LG		
18.	805-146C	PIN ROLL 1/4 X 2 LG PL	Optional	
19.	814-265C	TIRE & WHL LAM. 6X9X21(5-BOLT)		
20.	814-288C	AC TIRE FF 24X7.7 2PC 5-BOLT		
21.	814-285C	AC TIRE 24 X 7.7 2PC. 5-BOLT		
22.	814-266C	TIRE 24X7.7-14 (814-263C)		
23.	814-267C	RIM 2PC. 4BLT 10X6 BLACK		
24.	814-268C	TUBE FOR 24X7.7-14 (814-263C)		
25.	815-241C	SPINDLE-SINGLE BOLT-ON		
26.	815-243C	HUB 5-BOLT W/CUPS/STUDS		
27.	816-497C	SEAL 1.75ID CR17617		
28.	822-034C	BEARING CONE LM-48548		
29.	822-033C	BEARING CUP LM-48510		
30.	827-001C	SPACER 1/2		
31.	890-005C	BUSHING CYL 1 1/4 X 1 X 1		
32.	890-766C	BUSHING 1.25ODX1.00IDX3.00		
33.	890-817C	BUSHING 1.25ODX1.00IDX3.75	S/N 563872- Replace W/ 2 ea. 890-005C	
34.	822-021C	BEARING CONE LM-67048		
35.	822-020C	BEARING CUP LM-67010		
36.	890-005C	BUSHING CYL 1 1/4 X 1 X 1	S/N 563873+	

Axle Wing Deck (S/N 489025-)

Applies to RCBM6010, RCBM6015

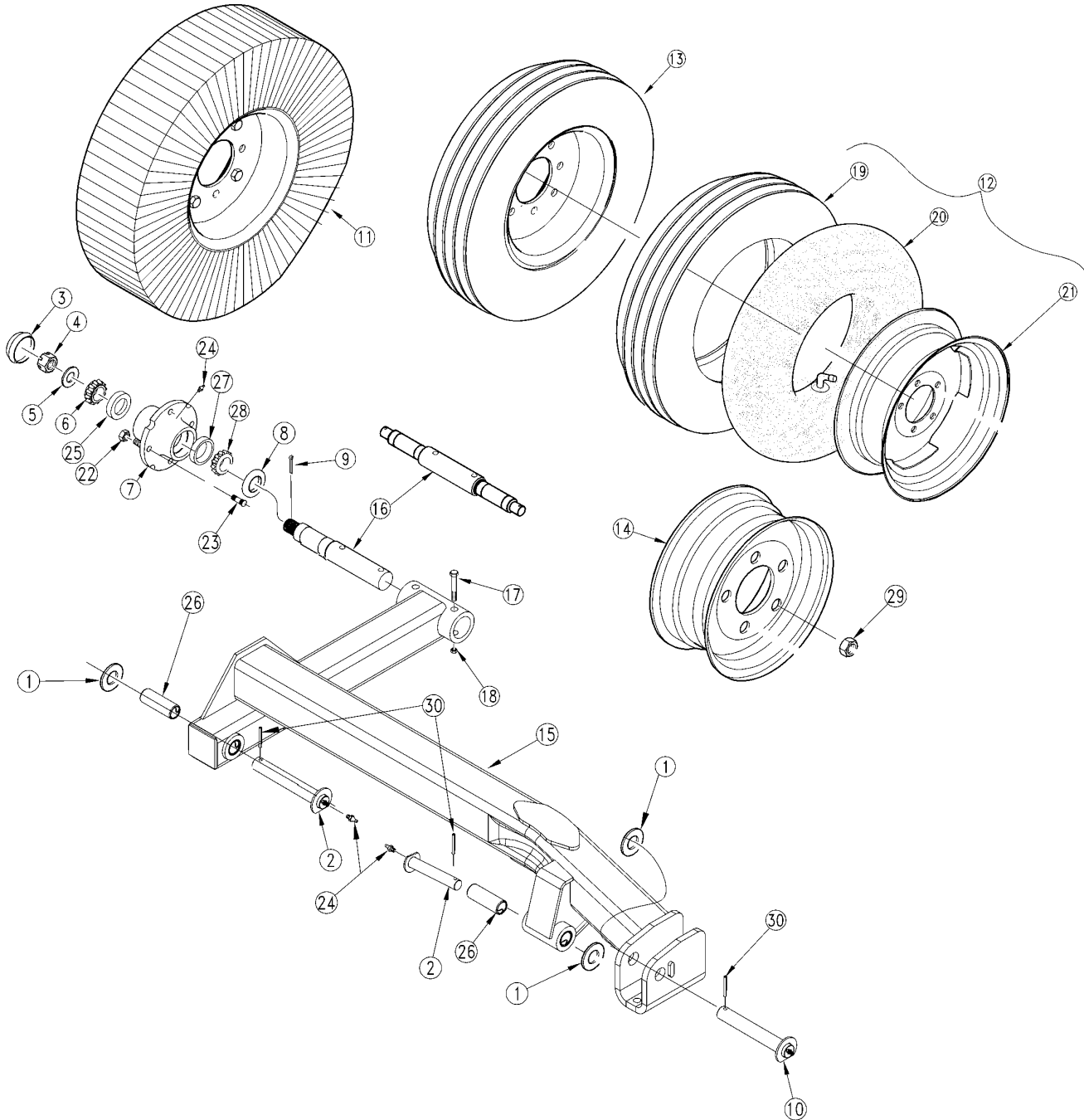


Axle Wing Deck (S/N 489025-)**Applies to RCBM6010, RCBM6015**

Ref	Part No.	Part Description	Comments	Revision
	dwg18314	Drawing Image Number		
	318-050L	ASSY. RH. AXLE	Includes items 2 through 15	
	318-051L	ASSY. LH. AXLE	Includes items 1 and 3 through 15	
1.	318-583H	WLDMT. WING AXLE LH.	(S/N 419602+)	Rev. 2 not compat. w/Rev. 1.
1.	318-190H	WLDMT. WING AXLE LH	(S/N 419601-)	Rev. 1
1.	318-576H	WLDMT. WING AXLE RH.	(S/N 419602+)	Rev. 2 not compat. w/Rev. 1.
1.	318-189H	WLDMT. WING AXLE RH	(S/N 419601-)	Rev. 1
2.	803-168C	NUT HEX TOP LOCK 1-8 PLT		
3.	802-357C	HHCS 1-8X6 GR5		
4.	200-001D	HUB GREASE CAP		
5.	803-029C	NUT HEX SLOTTED 7/8-14 PLT		
6.	804-055C	WASHER SPINDLE - 7/8		
7.	822-091C	BEARING CONE 15123		
8.	815-230C	HUB 4 BLT W/CUPS, ZERK & STUDS	(S/N 414628+) W/CUPS, ZERK & STUDS	Rev. 2
8.	815-093C	HUB 4 BOLT WHL W/CUPS & ZERK	(S/N 414627-) W/CUPS & ZERK	Rev. 1
9.	816-098C	SEAL 1 3/8 ID X 2.441 OD X.313		
10.	805-016C	PIN COTTER 3/16 X 1 1/4 PLT		
11.	802-073C	HHCS 1-8X4 GR5		
12.	804-015C	WASHER LOCK SPRING 1/2 PLT	Use with 19 & 21 S/N 414627-	
13.	802-240C	HHCS 1/2-20X1 GR5	Use with 19 & 21 S/N 414627-	
13.	802-104C	BOLT WHEEL 1/2-20X1 90-DEG	Use with 20 S/N 414627-	
14.	804-016C	WASHER FLAT 1/2 SAE PLT	Use with 19 & 21 S/N 414627-	
15.	815-108C	SPINDLE - SINGLE AXLE BOLT ON		
16.	815-109C	SPINDLE - DUAL AXLE BOLT ON		
17.	802-099C	HHCS 1/2-13X3 1/4 GR5		
18.	803-019C	NUT LOCK 1/2-13 PLT		
19.	814-263C	AC TIRE 24 X 7.7 2PC	(S/N 419602+)	Rev. 3
19.	814-201C	AC TIRE 27x7.75x15 MOUNTED	(S/N 419601-)	Rev. 2
19.	814-086C	TIRE 25.5 X 8.0-14 - MOUNTED	(S/N 419601-)	Rev. 1
19.	814-262C	AC TIRE 24 x 7.7 2PC FOAM FILL	(S/N 419602+)	Rev. 3
19.	814-202C	AC TIRE 27X7.75X15 MOUNTED FF	(S/N 419601-)	Rev. 2
19.	814-189C	TIRE 25.5 X 8.0-14 - AIR/FOAM	(S/N 419601-)	Rev. 1
20.	814-066C	WHEEL 15 X 5 X 4 BOLT		
21.	814-059C	TIRE & WHEEL LAM. 6X9X21(TALL)		
22.	803-308C	NUT HEX FLG/LK 1/2-20 PLT.GR.G	Use with 19 & 21 S/N 414628+	
22.	803-017C	NUT LUG 1/2-20X90DEG PLT 13/16	Use with 20 S/N 414628+	
23.	802-135C	HUB STUD 1/2-20X1 5/8 GR5		
24.	800-001C	GREASE ZERK STRAIGHT 1/4-28		
25.	822-092C	BEARING CUP 15245		

Axle Wing Deck (S/N 489026+)

Applies to RCBM6010, RCBM6015



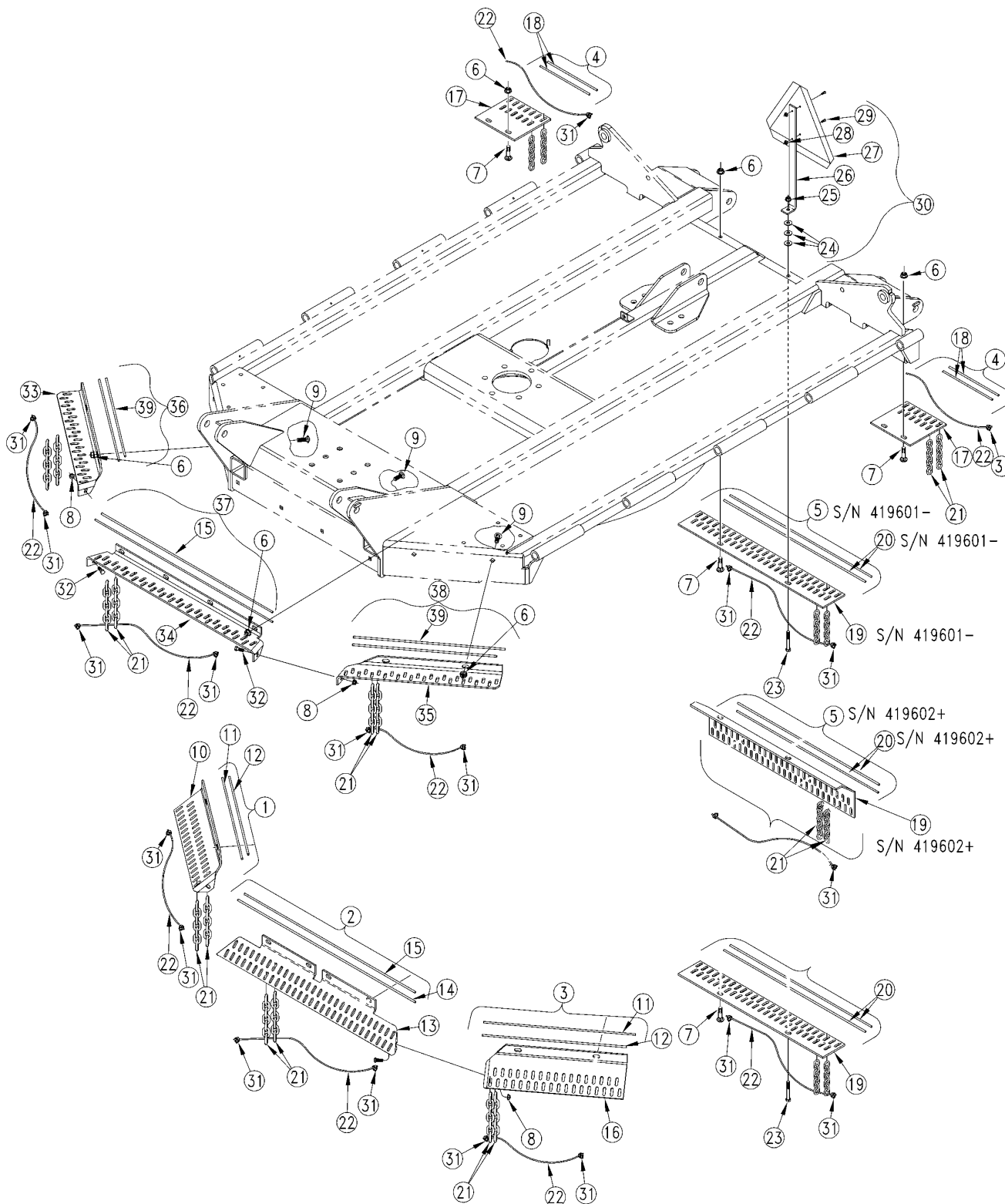
24522

Axle Wing Deck (S/N 489026+)**Applies to RCBM6010, RCBM6015**

Ref	Part No.	Part Description	Comments	Revision
	dwg24522	Drawing Image Number		
1.	804-029C	WASHER FLAT 1 SAE		
2.	318-852H	WLDMT. PVT. PIN WG. AXLE		
3.	200-001D	HUB GREASE CAP		
4.	803-053C	NUT HEX SLOTTED 3/4-16		
5.	804-216C	WASHER HARDENED .81ID		
6.	822-021C	BEARING CONE LM-67048		
7.	815-243C	HUB 5-BOLT W/CUPS/STUDS		
8.	816-497C	SEAL 1.75ID CR17617		
9.	805-246C	PIN COTTER 5/32 X 1 3/4 LG		
10.	318-853H	WLDMT. PVT. PIN TURNBUCKLE		
11.	814-265C	TIRE & WHL LAM. 6X9X21(5-BOLT)		
12.	814-285C	AC TIRE 24 X 7.7 2PC. 5-BOLT		
13.	814-288C	AC TIRE FF 24X7.7 2PC 5-BOLT		
14.	814-284C	WHEEL 15 X 5 X 5 BOLT		
15.	318-576H	WLDMT. WING AXLE RH. HAND		
15.	318-583H	WLDMT. WING AXLE LH. HAND		
16.	815-237C	SPINDLE-SINGLE BOLT-ON		
16.	815-238C	SPINDLE-DUAL BOLT-ON		
17.	802-099C	HHCS 1/2-13X3 1/4 GR5		
18.	803-019C	NUT LOCK 1/2-13 PLT		
19.	814-295C	TIRE 24X7.7-14 (814-285C)		
20.	814-297C	TUBE FOR 24X7.7-14 (814-285C)		
21.	814-296C	RIM 2PC 5BLT 10X6		
22.	803-310C	NUT HEX 1/2-20 X 5/8 HIGH		
23.	802-779C	HUB STUD 1/2-20X1.88 GR5		
24.	800-080C	GREASE ZERK 1/4-28 THD FORMING		
25.	822-020C	BEARING CUP LM-67010		
26.	890-819C	BUSHING 1.25ODX1.00IDX3.50		
27.	822-033C	BEARING CUP LM-48510		
28.	822-034C	BEARING CONE LM-48548		
29.	802-017C	NUT LUG 1/2-20X90DEG PLT 13/16		
30.	805-146C	PIN ROLL 1/4 X 2 LG PL		

Guards Center Deck

Applies to RCBM6010, RCBM6015



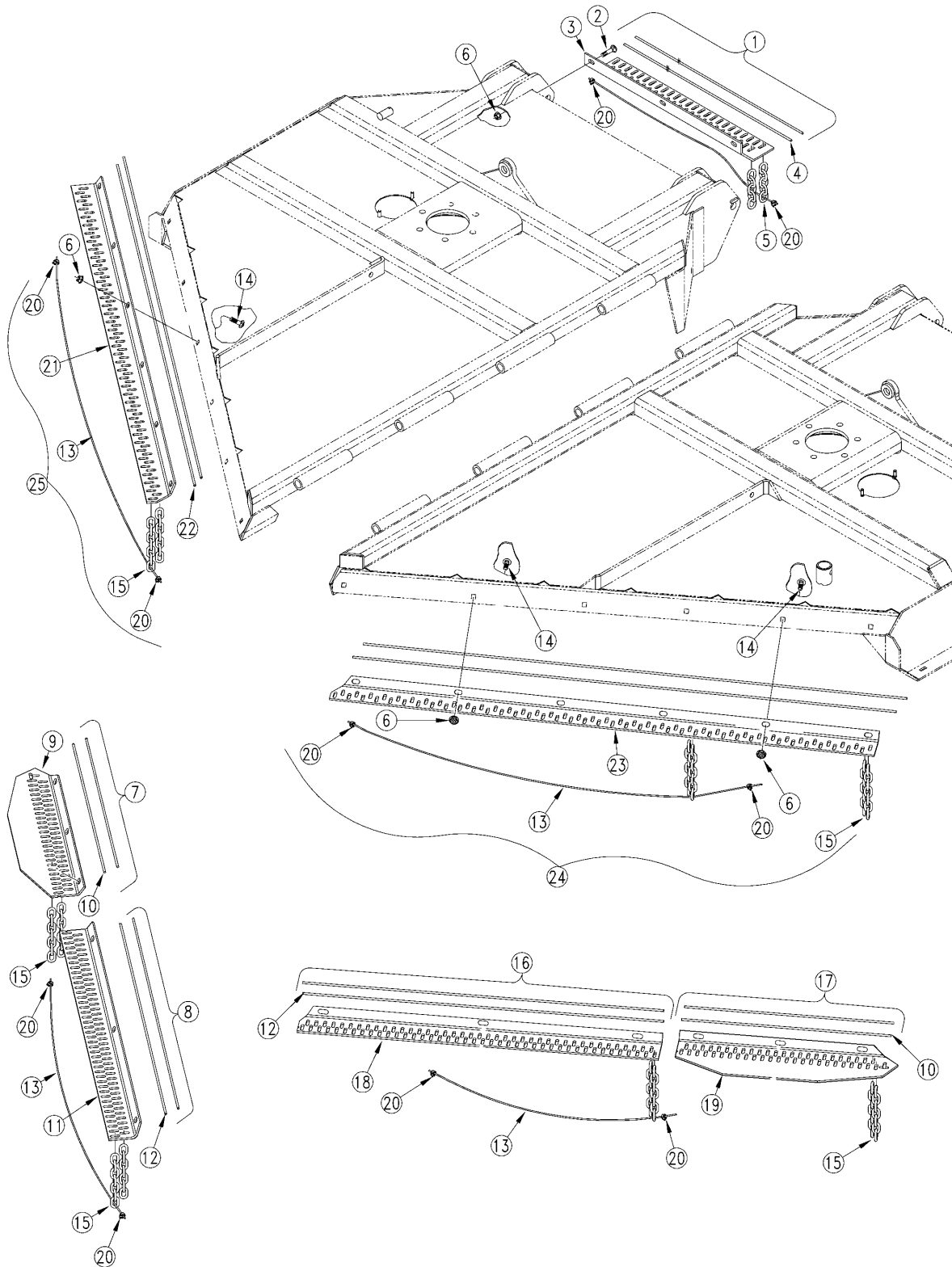
18315

Guards Center Deck**Applies to RCBM6010, RCBM6015**

Ref	Part No.	Part Description	Comments	Revision
	dwg18315	Drawing Image Number		
1.	318-273K	DBL.CG.FRT.CTR.RH.W/CABLE	(S/N 292791-)	
1.	318-066K	ASSY. DBL.CG.FRT.CTR. RH.OUTER	(S/N 292791-)	
2.	318-272K	DBL.CG.FRT.CTR.W/CABLE	(S/N 292791-)	
2.	318-065K	ASSY. DBL.CG.FRT.CTR	(S/N 292791-)	
3.	318-274K	DBL.CG.FRT.CTR.LH.W/CABLE	(S/N 292791-)	
3.	318-097K	ASSY. DBL.CG.FRT.CTR. LH.OUTER	(S/N 292791-)	
4.	318-071K	ASSY. CG. REAR CENTER OUTER	(S/N 419601-)	
4.	318-285K	DBL. CG. REAR CTR.OUT.W/CABLE		
5.	318-633K	ASSY. DBL. REAR CG. CTR.	(S/N 419602+)	Rev. 2 not compat. w/Rev. 1.
5.	318-070K	ASSY. CG. REAR CENTER	(S/N 419601-)	Rev. 1
5.	318-286K	DBL. CG. REAR WING W/CABLE	(S/N 419602+)	Rev. 2 not compat. w/Rev. 1.
5.	318-284K	DBL. CG. REAR CENTER W/CABLE	(S/N 419601-)	Rev. 1
6.	803-037C	NUT HEX WHIZ 1/2-13 PLT		
7.	802-585C	RHSNB 1/2-13X3 1/2 GR5 PLT		
8.	803-198C	NUT HEX WHIZ 3/8-16 PLT		
9.	802-214C	RHSNB 1/2-13X1 1/4 GR5		
10.	318-117D	CG. FRONT CENTER DUAL RH.	(S/N 292791-)	
11.	318-142D	ROUND ROD 1/4 X 21	(S/N 292791-)	
12.	318-141D	ROUND ROD 1/4 X 19	(S/N 292791-)	
13.	318-116D	CG. FRONT CENTER DUAL	(S/N 292791-)	
14.	318-108D	ROUND ROD 1/4 X 36	(S/N 292791-)	
15.	318-143D	ROUND ROD 1/4 X 34		
16.	318-124D	CG. FRONT CENTER DUAL LH.	(S/N 292791-)	
17.	318-122D	CG. CENTER REAR OUTER DUAL		
18.	318-105D	ROUND ROD 1/4 X 10		
19.	318-123D	CG. WING REAR DUAL	(S/N 419602+)	Rev. 2 not compat. w/Rev. 1.
19.	318-121D	CG. CENTER REAR DUAL	(S/N 419601-)	Rev. 1
20.	318-620D	ROUND ROD .25 X 66.5	(S/N 419602+)	Rev. 2
20.	318-107D	ROUND ROD 1/4 X 31 1/2	(S/N 419601-)	Rev. 1
21.	890-393C	CHAIN WELD 5/16 PROOF X 7-LINK		
21.	890-175C	CHAIN 5/16 PROOF X 6 LINKS PLT		
22.	990-208R	AIRCRAFT CBL.3/16 7X7 GALV.		
23.	802-042C	HHCS 1/2-13X3 3/4 GR5		
24.	804-100C	WASHER 3/4 X 17/32 X 18 GA PLT		
25.	803-037C	NUT HEX WHIZ 1/2-13 PLT		
26.	318-310D	SMV BRACKET		
27.	818-055C	DECAL SLOW MOVING-GALV. BACKED		
28.	803-088C	NUT HEX LOCK 1/4-20 FLG		
29.	801-018C	SCREW RD HD 1/4-20 X 5/8		
30.	318-304L	ASSY. SLOW MOVING VEHICLE		
31.	890-672C	U-BOLT WIRE ROPE CLP 3/16 GAL.		
32.	802-017C	HHCS 3/8-16X1 GR5		
33.	318-340D	RC5015 CEN FRONT DBLCHAIN RH	(S/N 292792+)	
34.	318-339D	RC5015 CEN SECT FRNT DBL CHAIN	(S/N 292792+)	
35.	318-341D	RC5015 CEN FRONT DBLCHAIN LH	(S/N 292792+)	
36.	318-330K	ASSY/DBL/CG/FRT/CTR/RH/CABLE	(S/N 292792+) With cable	
36.	318-325K	ASSY. DBL. CG. FRT. CTR. RH.	(S/N 292792+) Without cable	
37.	318-329K	ASSY/DBL/CG/FRT/CTR/CABLE	(S/N 292792+) With cable	
37.	318-324K	ASSY. DBL. CG. FRT. CTR.	(S/N 292792+) Without cable	
38.	318-331K	ASSY/DBL/CG/FRT/CTR/LH/CABLE	(S/N 292792+) With cable	
38.	318-326K	ASSY. DBL. CG. FRT. CTR. LH.	(S/N 292792+) Without cable	
39.	318-337D	ROUND ROD 1/4 X 25	(S/N 292792+)	

Guards Wing Deck

Applies to RCBM6010, RCBM6015



18316

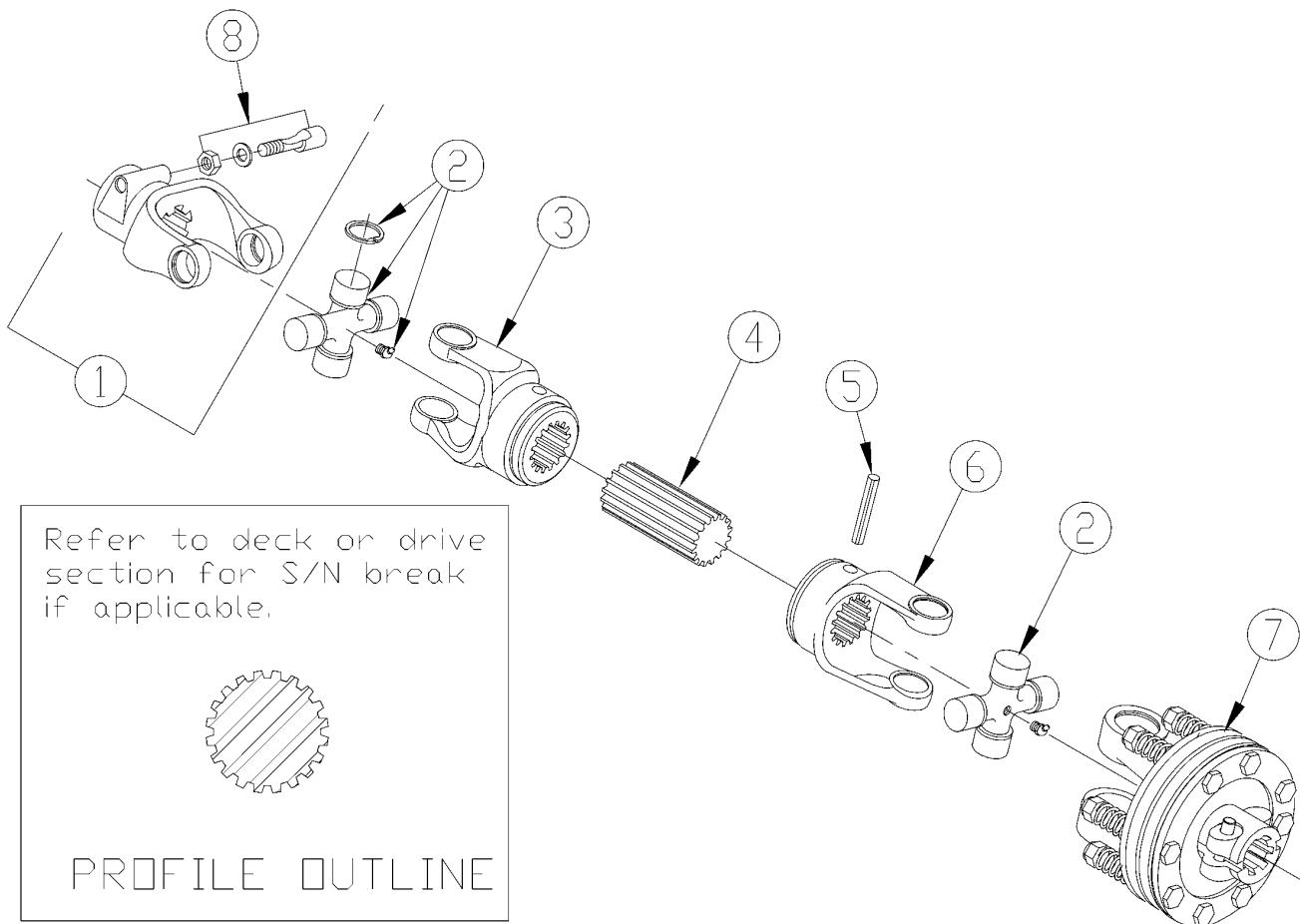
Guards Wing Deck

Applies to RCBM6010, RCBM6015

Ref	Part No.	Part Description	Comments	Revision
	dwg18316	Drawing Image Number		
1.	318-072K	ASSY. CG. REAR WING	Includes items 2 through 6	
1.	318-286K	DBL. CG. REAR WING W/CABLE	Includes items 2 through 6 & 20	
2.	802-106C	RHSNB 1/2-13X1 1/2 GR5		
3.	318-123D	CG. WING REAR DUAL		
4.	318-107D	ROUND ROD 1/4 X 31 1/2		
5.	890-341C	CHAIN WELD 5/16 PROOF X 5 LINK		
6.	803-037C	NUT HEX WHIZ 1/2-13 PLT		
7.	318-276K	DBL.CG.FRT.OUT.RH.WING W/CABLE	(S/N 292791-)	
7.	318-068K	ASSY. DBL.CG.FRT.WING OUT.RH.	(S/N 292791-)	
8.	318-275K	DBL.CG.FRT.IN.RH.WING W/CABLE	(S/N 292791-)	
8.	318-172K	ASSY. DBL.CG.FRT.WING INNER RH	(S/N 292791-)	
9.	318-119D	CG. FRONT WING OUTER RH. DUAL	(S/N 292791-)	
10.	318-106D	ROUND ROD 1/4 X 28 1/2	(S/N 292791-)	
11.	318-183D	CG. FRONT WING INNER DUAL RH	(S/N 292791-)	
12.	318-109D	ROUND ROD 1/4 X 49	(S/N 292791-)	
13.	990-208R	AIRCRAFT CBL.3/16 7X7 GALV.		
14.	802-214C	RHSNB 1/2-13X1 1/4 GR5		
15.	890-393C	CHAIN WELD 5/16 PROOF X 7-LINK		
16.	318-277K	DBL.CG.FRT.IN.LH.WING W/CABLE	(S/N 292791-)	
16.	318-174K	ASSY. DBL CG. FRT. WG. INNR LH	(S/N 292791-)	
17.	318-278K	DBL.CG.FRT.OUT.LH.WING W/CABLE	(S/N 292791-)	
17.	318-069K	ASSY. DBL.CG.FRT.WING OUT.LH.	(S/N 292791-)	
18.	318-184D	CG. FRONT WING INNER DUAL LH	(S/N 292791-)	
19.	318-120D	CG. FRONT WING OUTER LH. DUAL	(S/N 292791-)	
20.	890-672C	U-BOLT WIRE ROPE CLP 3/16 GAL.		
21.	318-342D	RC5015 WING FRONT DBLCHAIN RH	(S/N 292792+)	
22.	318-336D	ROUND ROD 1/4 X 73	(S/N 292792+)	
23.	318-343D	RC5015 WING FRONT DBLCHAIN LH	(S/N 292792+)	
24.	318-333K	ASSY/DBL/CG/FRT/WING/LH/CABLE	(S/N 292792+) With cable	
24.	318-328K	ASSY. DBL. CG. FRT. WING LH.	(S/N 292792+)	
25.	318-332K	ASSY/DBL/CG/FRT/WING/RH/CABLE	(S/N 292792+) With cable	
25.	318-327K	ASSY. DBL. CG. FRT. WING RH.	(S/N 292792+) With cable	

Driveline Center (826-478C) Comer (S/N 461935 to 461937, 468573+)

Applies to RCBM6010, RCBM6015

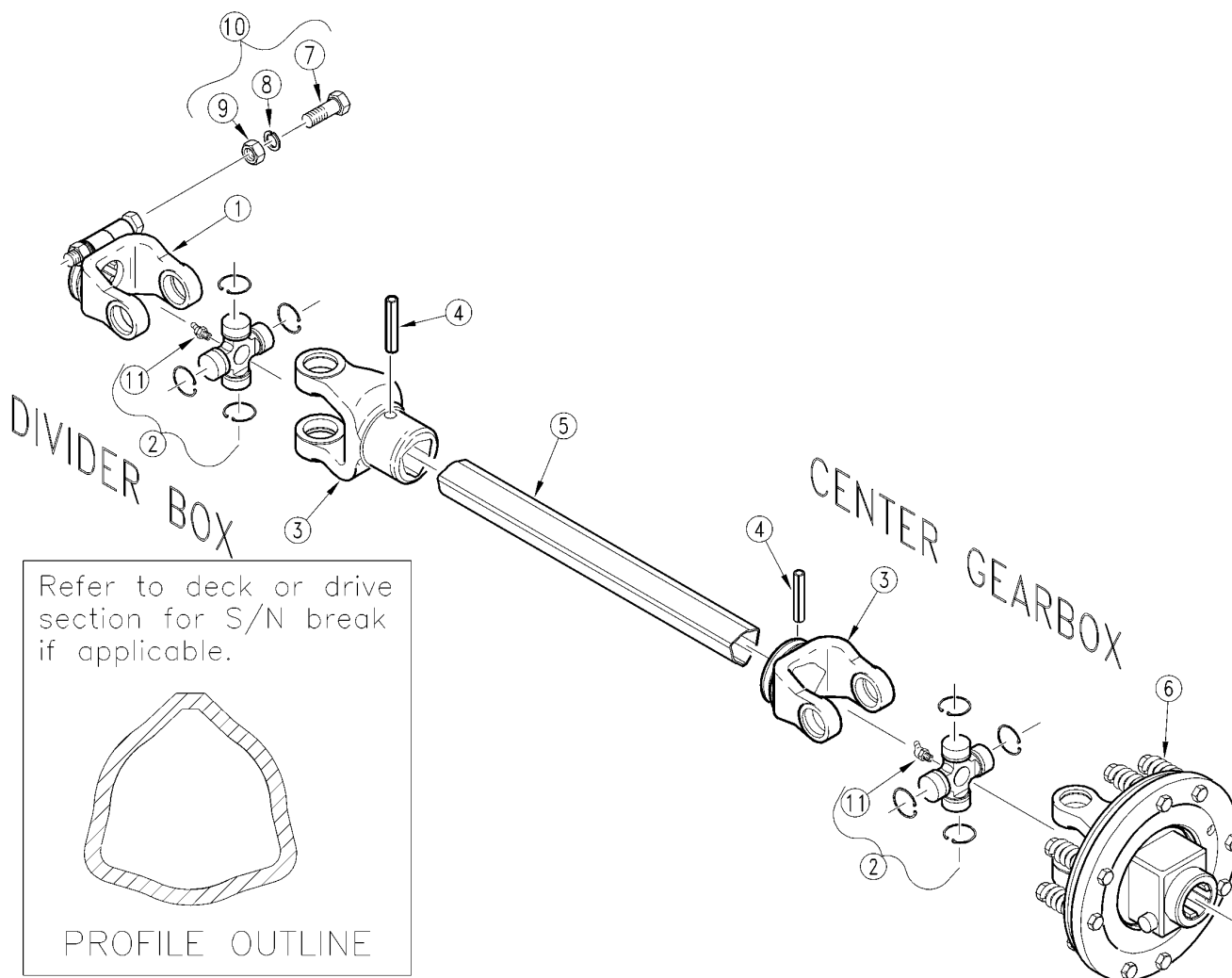


Driveline Center (826-478C) Comer (S/N 461935 to 461937, 468573+)**Applies to RCBM6010, RCBM6015**

Ref	Part No.	Part Description	Comments	Revision
	dwg23952	Drawing Image Number		
	826-478C	PTO E60 X 21.7 1280NM CLUTCH		
1.	141.026.357.1	COMER YOKE COMPLETE		
2.	180.016.130	COMER CROSS ASSEMBLY		
3.	170.016.630.1	COMER YOKE, OUTER		
4.	155.150.726	COMER SHAFT, SPLINED		
5.	190.000.016	COMER ROLL PIN, INNER TUBE		
6.	151.016.031.1	COMER INNER YOKE		
7.	146.264.024.1	COMER CLUTCH, COMPLETE ASSY		
8.	165.000.589	COMER TAPERED PIN SET 1 3/4		

Driveline Center 1000 RPM (826-184C) Eurocardan

Applies to RCBM6010, RCBM6015



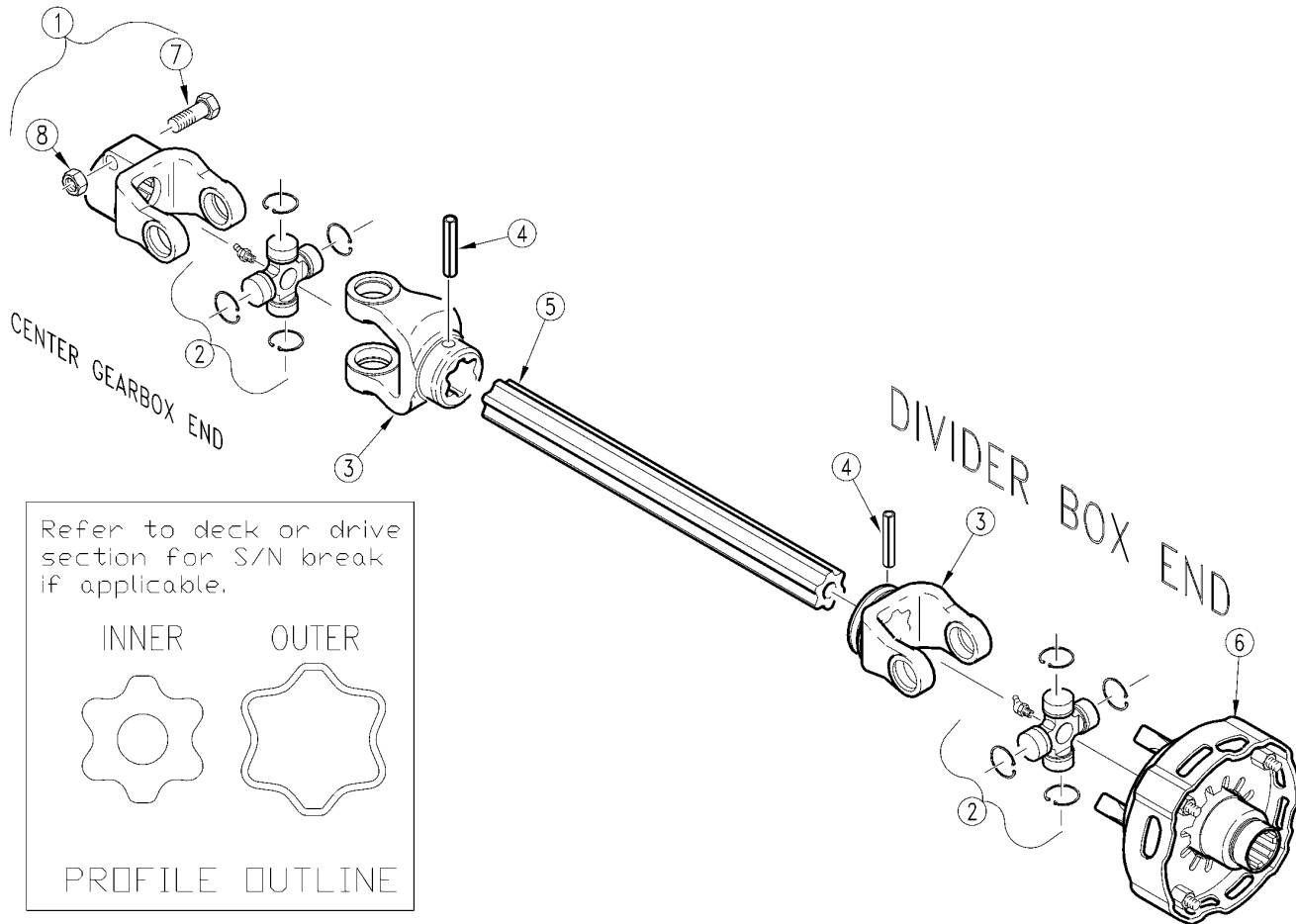
19030

Driveline Center 1000 RPM (826-184C) Eurocardan**Applies to RCBM6010, RCBM6015**

Ref	Part No.	Part Description	Comments	Revision
	dwg19030	Drawing Image Number		
	826-184C	PTO INT. CAT.4 1000W/CLUTCH		
1.	1106525	EC YOKE ASSEMBLY (TRACT. END)	Includes item 10	
2.	1006020	EC CROSS ASSEMBLY		
3.	1706027	EC OUTER TUBE YOKE		
4.	6331080	EC 10X80-DIN-1481 O/TUBE R/PIN		
5.	1528305	EC TUBE JACK SHAFT		
6.	1406016	EC CLUTCH FD2/6 1 3/4 20 SPL		
7.	6141280	EC.BOLT		
8.	6412112	EC SPRING WASHER		
9.	6410112	EC NUT		
10.	6761280	EC BOLT ASSY KIT	Includes items 7, 8 & 9	
11.	6560508	EC GREASE ZERK 8X1 45 DEG.		

Driveline Center 1000 RPM (826-261C) Walterscheid

Applies to RCBM6010, RCBM6015



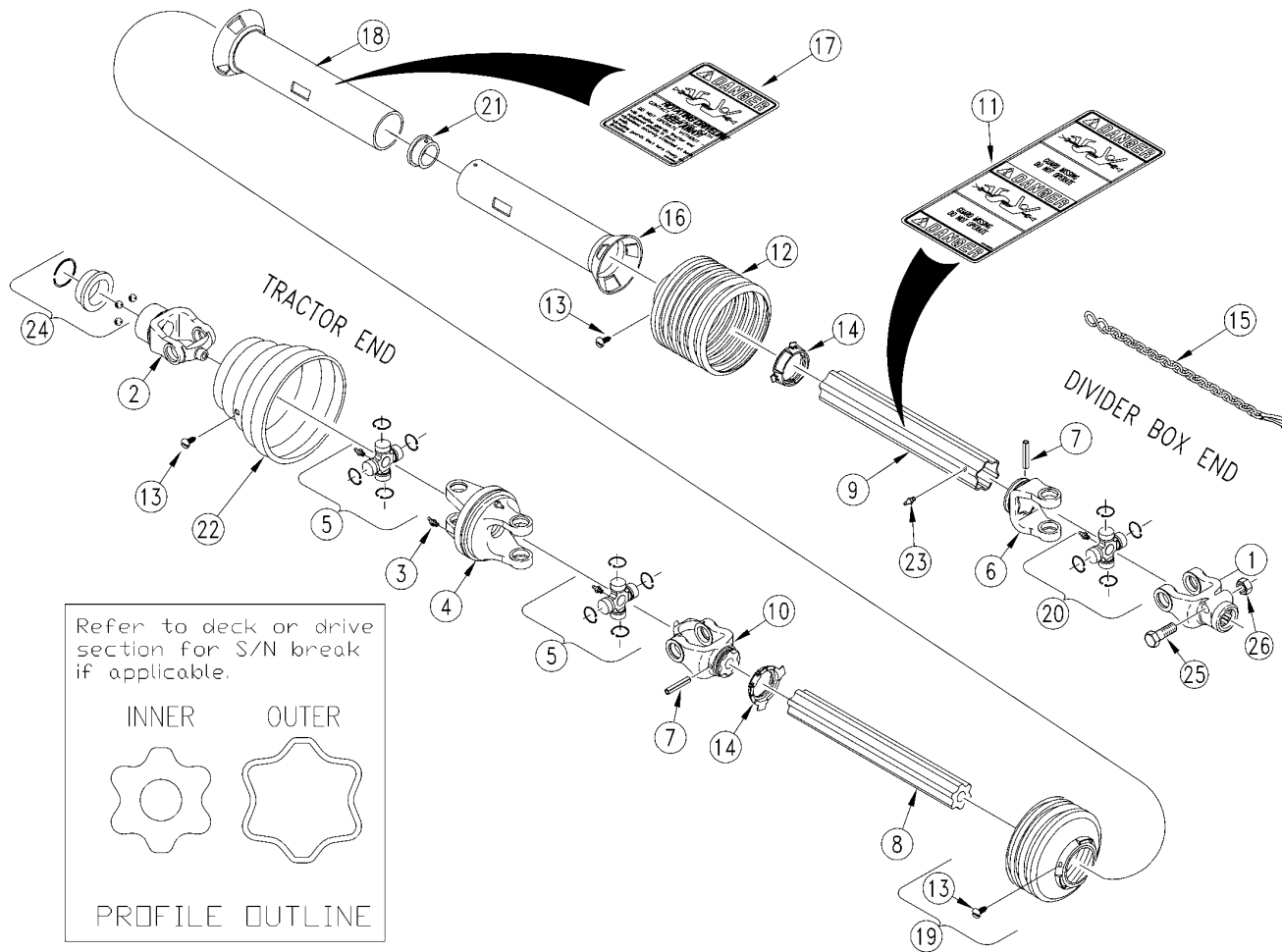
16965

Driveline Center 1000 RPM (826-261C) Walterscheid**Applies to RCBM6010, RCBM6015**

Ref	Part No.	Part Description	Comments	Revision
	dwg16965 826-261C	Drawing Image Number RPBY 826-478C *		
1.	325027	WS YOKE 1 3/4-20 SPL.I.C. 2500		
2.	312209	WS CROSS & BEARING KIT 2500		
3.	97140	WS INBOARD YOKE 2500		
4.	304046	WS SPRING PIN 10 X 90		
5.	193839	OUTER PROFILE S5		
6.	391359	WS FRICTION CLUTCH		
7.	702352	WS HEX BOLT M16 X 90 GR 8.8		
8.	304011	WS LOCK NUT M16		

Driveline CV 1000 RPM (826-244C) Walterscheid (S/N 468225-)

Applies to RCBM6010, RCBM6015



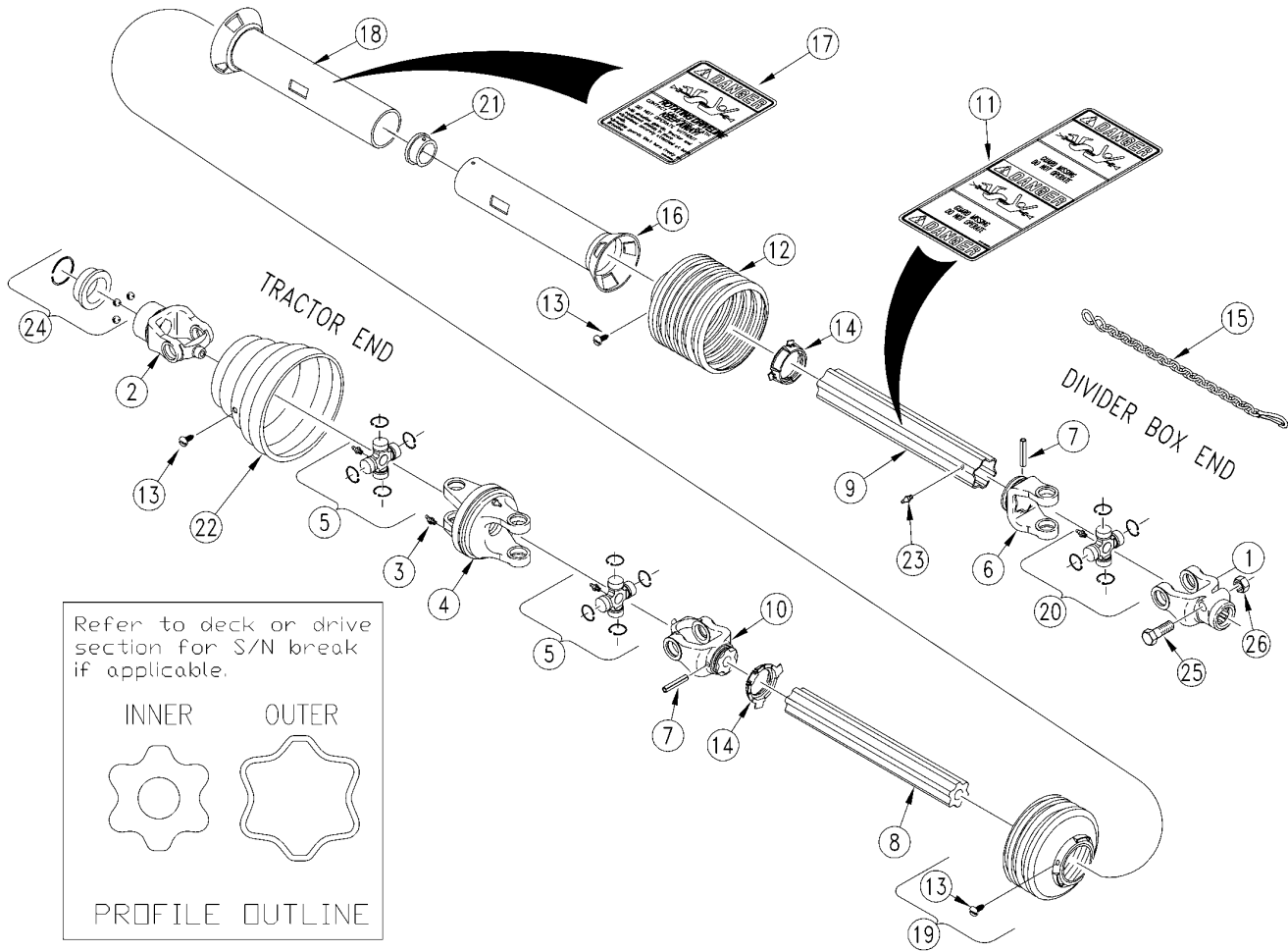
14067

Driveline CV 1000 RPM (826-244C) Walterscheid (S/N 468225-)**Applies to RCBM6010, RCBM6015**

Ref	Part No.	Part Description	Comments	Revision
	dwg14067 826-244C	Drawing Image Number RPBY 826-477C *	Category 5	
1.	325027	WS YOKE 1 3/4-20 SPL.I.C. 2500		
2.	363696	WS YOKE 1 3/8-21 SPL. AS		
3.	020672	WS GREASE ZERK		
4.	365725	WS DOUBLE YOKE 2500		
5.	384316	WS CROSS & BEARING KIT 2500		
6.	097140	WS INBOARD YOKE 2500		
7.	304046	WS SPRING PIN 10 X 90		
8.	381367	WS IN PROF S4GA (330162) 840MM		
9.	388204	WS PROF&SLV W.A. 830MM		
10.	331573	WS INBOARD YOKE S4		
11.	818-540C	DECAL DANGER GUARD MISS PTO		
12.	377442	WS SHIELD CONE - 12 RIB		
13.	365305	WALTERSCHEID SCREW		
14.	087276	WS BEARING RING - SC25		
15.	044321	WALTERSCHEID SAFETY CHAIN		
16.	387097	WS IN SHIELD RND (391410)750MM		
17.	818-552C	DECAL DANGER PTO DRIVELINE		
18.	391406	WS OUT SHLD OVL (391409) 755MM		
19.	104810	WS SHIELD CONE 4 RIB		
20.	312209	WS CROSS & BEARING KIT 2500		
21.	355155	WS SUPPORT BEARING		
22.	386048	WS CV CONE & BEARING ASSY		
23.	380371	WS ZERK		
24.	364915	WS ASSY COLLAR KIT		
25.	702352	WS HEX BOLT M16 X 90 GR 8.8		
26.	304011	WS LOCK NUT M16		

Driveline CV 1000 RPM (826-245C) 1 3/4-20 Walterscheid (S/N 488896-)

Applies to RCBM6010, RCBM6015



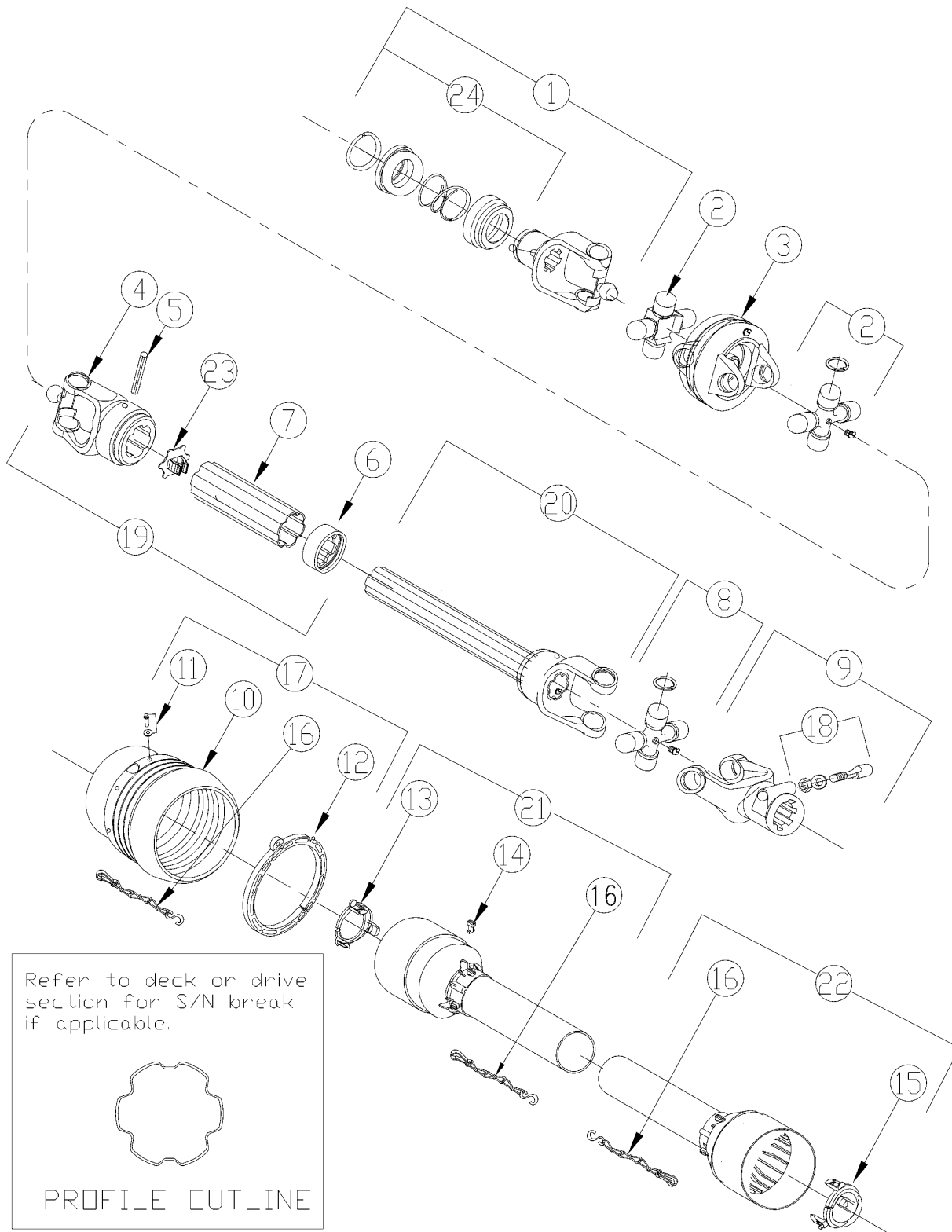
14067

Driveline CV 1000 RPM (826-245C) 1 3/4-20 Walterscheid (S/N 488896-)**Applies to RCBM6010, RCBM6015**

Ref	Part No.	Part Description	Comments	Revision
	dwg14067	Drawing Image Number		
	826-245C	PTO CV 2580 CAT5 1000 1 3/4-20		
1.	325027	WS YOKE 1 3/4-20 SPL.I.C. 2500		
2.	363729	WS CV YOKE 1 3/4-20 SPL		
3.	020672	WS GREASE ZERK		
4.	365725	WS DOUBLE YOKE 2500		
5.	384316	WS CROSS & BEARING KIT 2500		
6.	097140	WS INBOARD YOKE 2500		
7.	304046	WS SPRING PIN 10 X 90		
8.	330162	WS INNER PROFILE		
9.	387723	WS PROFILE & SLEEVE W.A.		
10.	331573	WS INBOARD YOKE S4		
11.	818-540C	DECAL DANGER GUARD MISS PTO		
12.	377442	WS SHIELD CONE - 12 RIB		
13.	365305	WS SCREW		
14.	087276	WS BEARING RING - SC25		
15.	044321	DRIVELINE SHIELD SAFETY CHAIN		
16.	386560	WS INNER SHIELD TUBE RND.		
17.	818-552C	DECAL DANGER PTO DRIVELINE		
18.	391639	WS OUTER SHIELD TUBE OVL.		
19.	104810	WS SHIELD CONE 4 RIB		
20.	312209	WS CROSS & BEARING KIT 2500		
21.	355155	WS SUPPORT BEARING		
22.	386048	WS CV CONE & BEARING ASSY		
23.	380371	WS ZERK		
24.	364915	WS ASSY COLLAR KIT		
25.	702352	WS HEX BOLT M16 X 90 GR 8.8		
26.	304011	WS LOCK NUT M16		

Driveline CV 1000 RPM (826-477C) 1 3/8-21 Comer (S/N 468226 to _____)

Applies to RCBM6010, RCBM6015



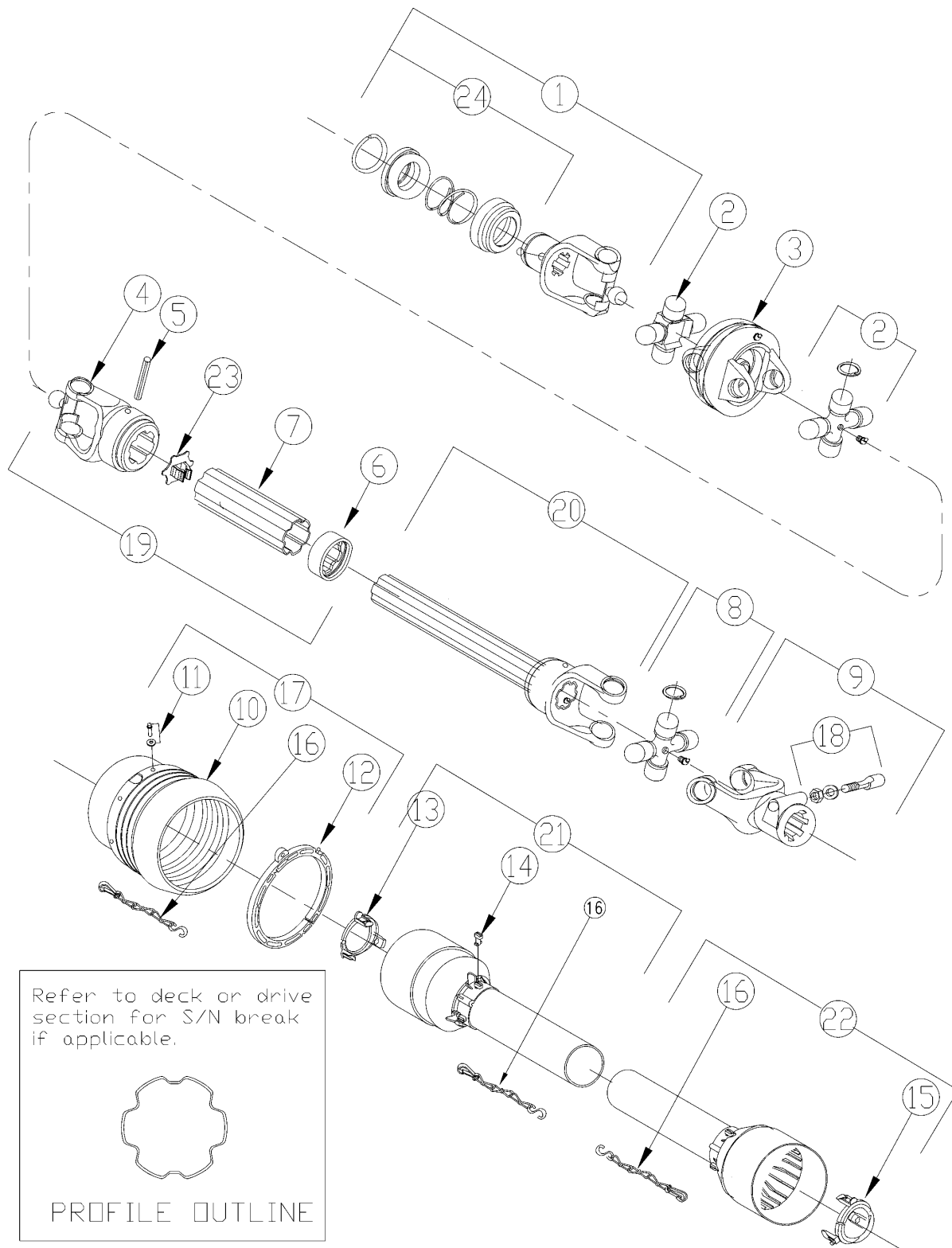
23948

Driveline CV 1000 RPM (826-477C) 1 3/8-21 Comer (S/N 468226 to _____)**Applies to RCBM6010, RCBM6015**

Ref	Part No.	Part Description	Comments	Revision
	dwg23948	Drawing Image Number		
	826-477C	PTO CV V80X56.8 NO/CL 1 3/8-21 *		
1.	141.028.359.1	COMER CV-JOINT YOKE COLLER		
2.	180.018.158	COMER CV -JOINT CROSS ASSEMBLY		
3.	141.028.472.1	COMER WIDE ANGLE DOUBLE YOKE		
4.	141.028.248.1	COMER OUTER YOKE		
5.	190.000.243	COMER OUTER TUBE ROLL PIN		
6.	180.018.437	COMER WIPER		
7.	1522805260710	COMER OUTER TUBE COMPLETE		
8.	180.018.004	COMER CROSS ASSEMBLY		
9.	141.028.195.1	COMER YOKE COMPLETE		
10.	180.018.567	COMER CV JOINT GUARD CONE		
11.	165.000.694	COMER SCREW KIT FOR CV GUARD		
12.	158.018.470	COMER BEARING RING		
13.	180.018.251	COMER RETAINING COLLER INNER		
14.	180.014.240	COMER BOLT		
15.	180.018.252	COMER RETAINING COLLER INNER		
16.	180.016.025	COMER SAFTEY CHAINS		
17.	165.000.785	COMER CONE GUARD ASSEMBLY		
18.	165.000.589	COMER TAPERED PIN SET 1 3/4		
19.	122.981.002.1	COMER TUBE W/YOKE/LUBE/FEMALE		
20.	122.580.501.1	COMER TUBE W/YOKE/LUBE/MALE		
21.	1422831442821	COMER HALF FEMALE GRD W/LABEL		
22.	1422871642821	COMER HALF MALE GUARDING		
23.	180.018.393	COMER CAP OUTER TUBE, PLASTIC		
24.	165.000.628	COMER COLLER KIT 3/8 YOKE		

Driveline CV 1000 RPM (826-499C) 1 3/4-20 Comer (S/N 488897+)

Applies to RCBM6010, RCBM6015



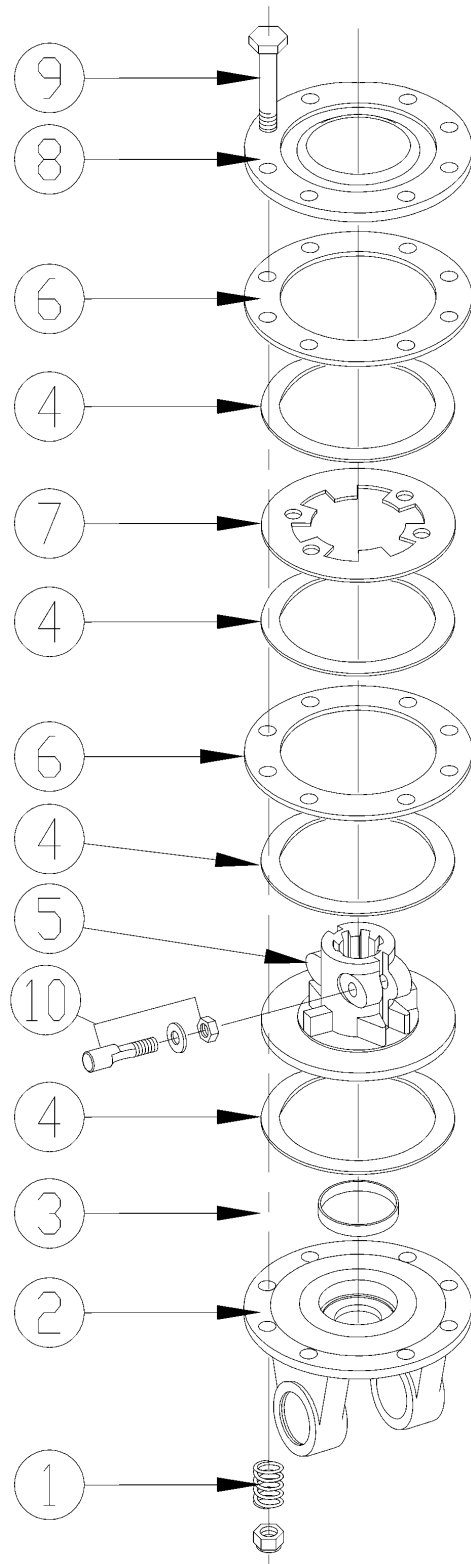
23960

Driveline CV 1000 RPM (826-499C) 1 3/4-20 Comer (S/N 488897+)**Applies to RCBM6010, RCBM6015**

Ref	Part No.	Part Description	Comments	Revision
	dwg23960	Drawing Image Number		
	826-499C	PTO CV80 X 77.71 NO CLUTCH		
1.	141.028.360.1	COMER COLLER YOKE ASSEMBLY		
2.	180.018.158	COMER CV -JOINT CROSS ASSEMBLY		
3.	141.028.472.1	COMER WIDE ANGLE DOUBLE YOKE		
4.	141.028.248.1	COMER OUTER YOKE		
5.	190.000.243	COMER OUTER TUBE ROLL PIN		
6.	180.018.437	COMER WIPER		
7.	1522805260710	COMER OUTER TUBE COMPLETE		
8.	180.018.004	COMER CROSS ASSEMBLY		
9.	141.028.195.1	COMER YOKE COMPLETE		
10.	180.018.567	COMER CV JOINT GUARD CONE		
11.	165.000.694	COMER SCREW KIT FOR CV GUARD		
12.	158.018.470	COMER BEARING RING		
13.	180.018.251	COMER RETAINING COLLER INNER		
14.	180.014.240	COMER BOLT		
15.	180.018.252	COMER RETAINING COLLER INNER		
16.	180.016.025	COMER SAFTEY CHAINS		
17.	165.000.785	COMER CONE GUARD ASSEMBLY		
18.	165.000.589	COMER TAPERED PIN SET 1 3/4		
19.	122.981.002.1	COMER TUBE W/YOKE/LUBE/FEMALE		
20.	122.580.501.1	COMER TUBE W/YOKE/LUBE/MALE		
21.	1422831442821	COMER HALF FEMALE GRD W/LABEL		
22.	1422871642821	COMER HALF MALE GUARDING		
23.	180.018.393	COMER CAP OUTER TUBE, PLASTIC		
24.	165.000.629	COMER YOKE KIT COLLAR		

Driveline Slip Clutch (146.264.024.1) Comer

Applies to RCBM6010, RCBM6015



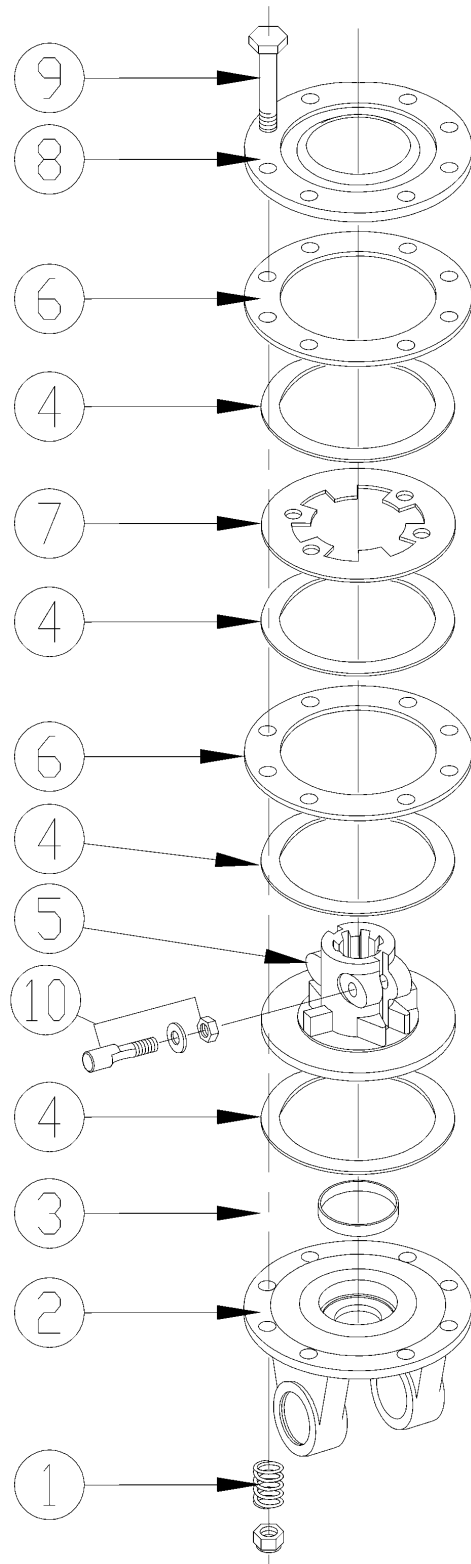
23957

Driveline Slip Clutch (146.264.024.1) Comer**Applies to RCBM6010, RCBM6015**

Ref	Part No.	Part Description	Comments	Revision
	dwg23957	Drawing Image Number		
	146.264.024.1	COMER CLUTCH, COMPLETE ASSY *		
1.	180.014.022	COMER SPRING		
2.	151.016.037.1	COMER YOKE, FLANGED		
3.	180.019.019	COMER BUSH		
4.	180.019.018	COMER LINING RING		
5.	151.018.228.1	COMER CLUTCH SUPPORT		
6.	180.019.014	COMER INNER PLATE		
7.	180.019.115	COMER INTERMEDIATE PLATE		
8.	180.019.116.1	COMER PRESSURE PLATE		
9.	165.000.548	COMER BOLT WITH NUT M10X100		
10.	165.000.589	COMER TAPERED PIN SET 1 3/4		

Driveline Slip Clutch (146.284.020.1) Comer

Applies to RCBM6010, RCBM6015



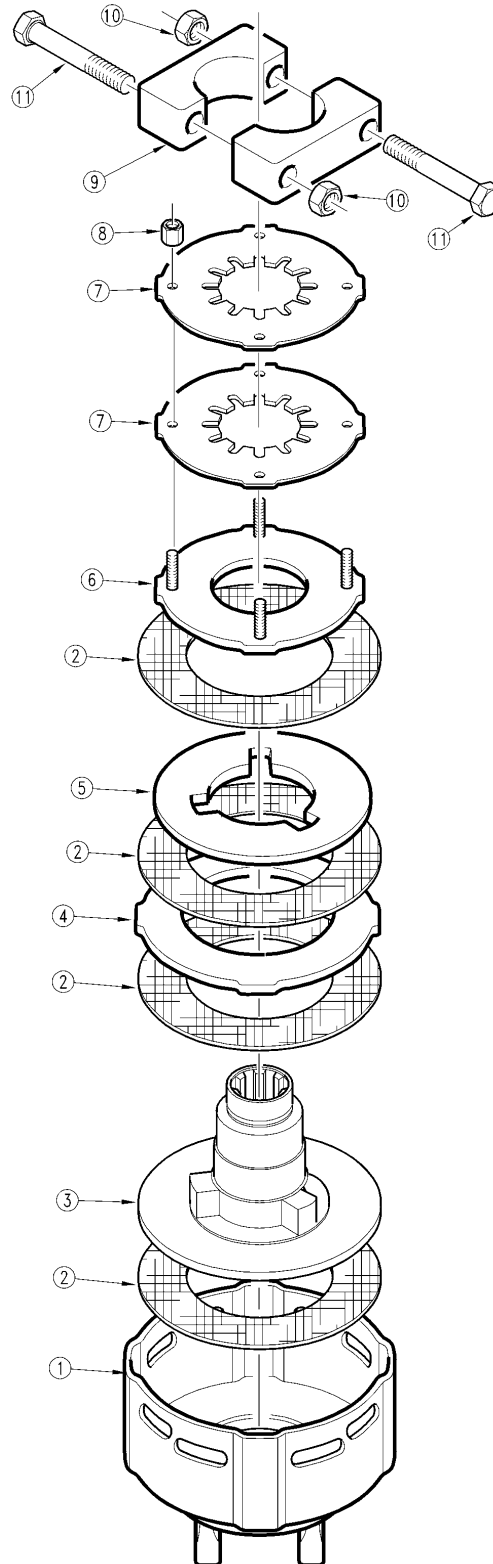
23958

Driveline Slip Clutch (146.284.020.1) Comer**Applies to RCBM6010, RCBM6015**

Ref	Part No.	Part Description	Comments	Revision
	dwg23958	Drawing Image Number		
	146.284.020.1	COMER CLUTCH, DISC COMPLETE *		
1.	180.014.022	COMER SPRING		
2.	151.018.016.1	COMER YOKE, FLANGED		
3.	180.019.019	COMER BUSH		
4.	180.019.018	COMER LINING RING		
5.	151.018.228.1	COMER CLUTCH SUPPORT		
6.	180.019.014	COMER INNER PLATE		
7.	180.019.115	COMER INTERMEDIATE PLATE		
8.	180.019.116.1	COMER PRESSURE PLATE		
9.	165.000.548	COMER BOLT WITH NUT M10X100		
10.	165.000.589	COMER TAPERED PIN SET 1 3/4		

Driveline Slip Clutch (383805) Walterscheid

Applies to RCBM6010, RCBM6015



17005

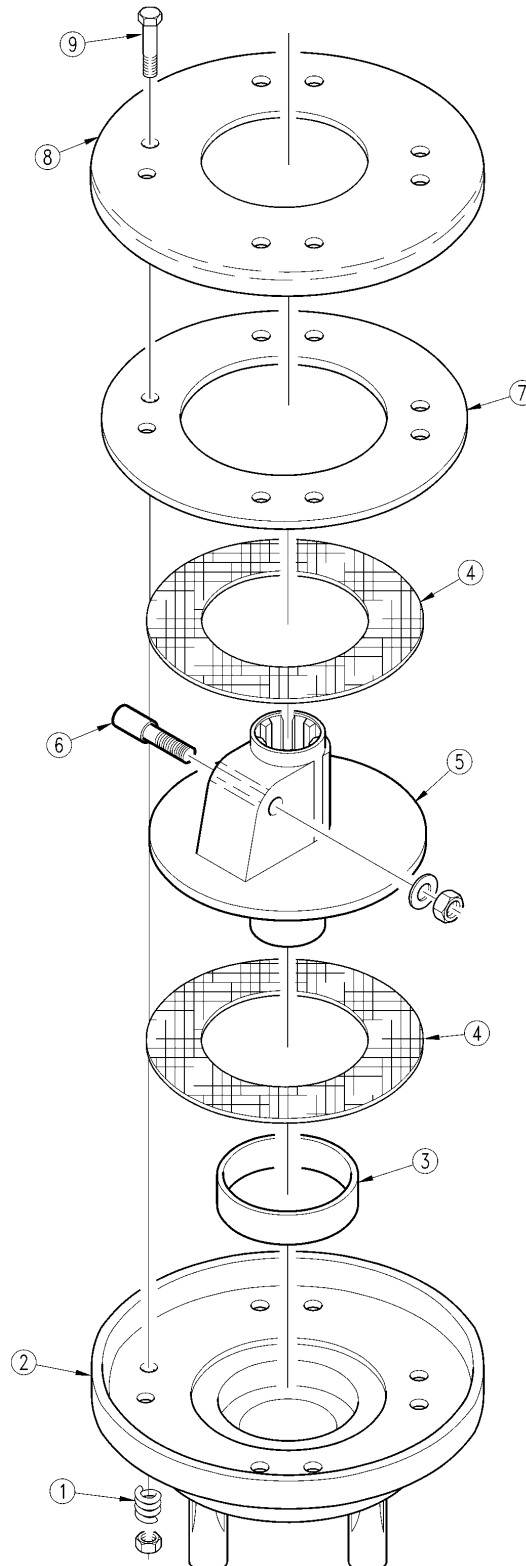
Driveline Slip Clutch (383805) Walterscheid

Applies to RCBM6010, RCBM6015

Ref	Part No.	Part Description	Comments	Revision
	dwg17005	Drawing Image Number		
	383805	WS FRICTION CLUTCH		
1.	324822	WS CLUTCH HOUSING		
2.	168556	WS FRICTION DISK		
3.	351793	WS HUB 1 3/4"-20 SPL		
4.	042454	WS DRIVE PLATE		
5.	042459	WS DRIVE PLATE		
6.	381495	WS THRUST PLATE		
7.	043489	WS BELLEVILLE SPRING		
8.	381957	WS HEX NUT M8		
9.	186397	WS BRIDGE		
10.	304011	WS LOCK NUT M16		
11.	304065	WS BOLT M16X110 DIN 931-8.8		

Driveline Slip Clutch 1000 RPM (1406016) Eurocardan

Applies to RCBM6010, RCBM6015



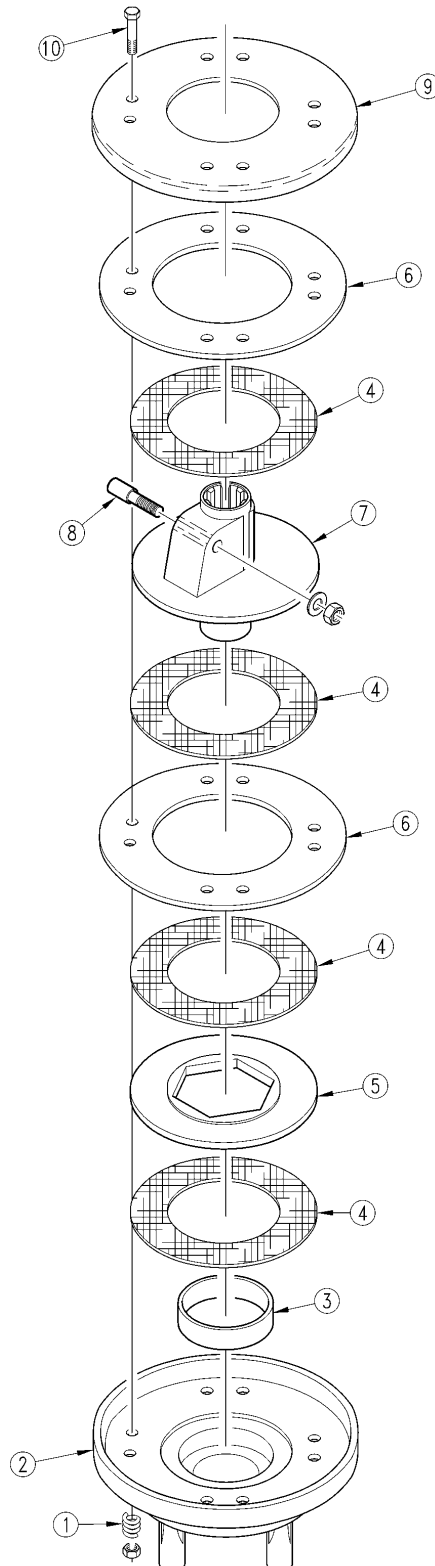
15523

Driveline Slip Clutch 1000 RPM (1406016) Eurocardan**Applies to RCBM6010, RCBM6015**

Ref	Part No.	Part Description	Comments	Revision
	dwg15523	Drawing Image Number		
	1406016	EC CLUTCH FD2/6 1 3/4 20 SPL		
1.	1215012	EC CLUTCH SPRING		
2.	1706033	EC CLUTCH YOKE W/FLANGE		
3.	1705009	EC CLUTCH BUSHING		
4.	1808010	EC CLUTCH LINING RING		
5.	1708017	EC HUB WITH FLANGE		
6.	6821484	CONICAL DOG KIT	(S/N)	Rev. 2
6.	6821483	REP BY 6821484	(S/N)	Rev 1; Use up stock
7.	1138008	EC INNER DISK		
8.	1138007	EC PRESSURE DISK		
9.	6691080	EC COMPLETE BOLT		

Driveline Slip Clutch 540/1000 RPM (1446016) EC

Applies to RCBM6010, RCBM6015



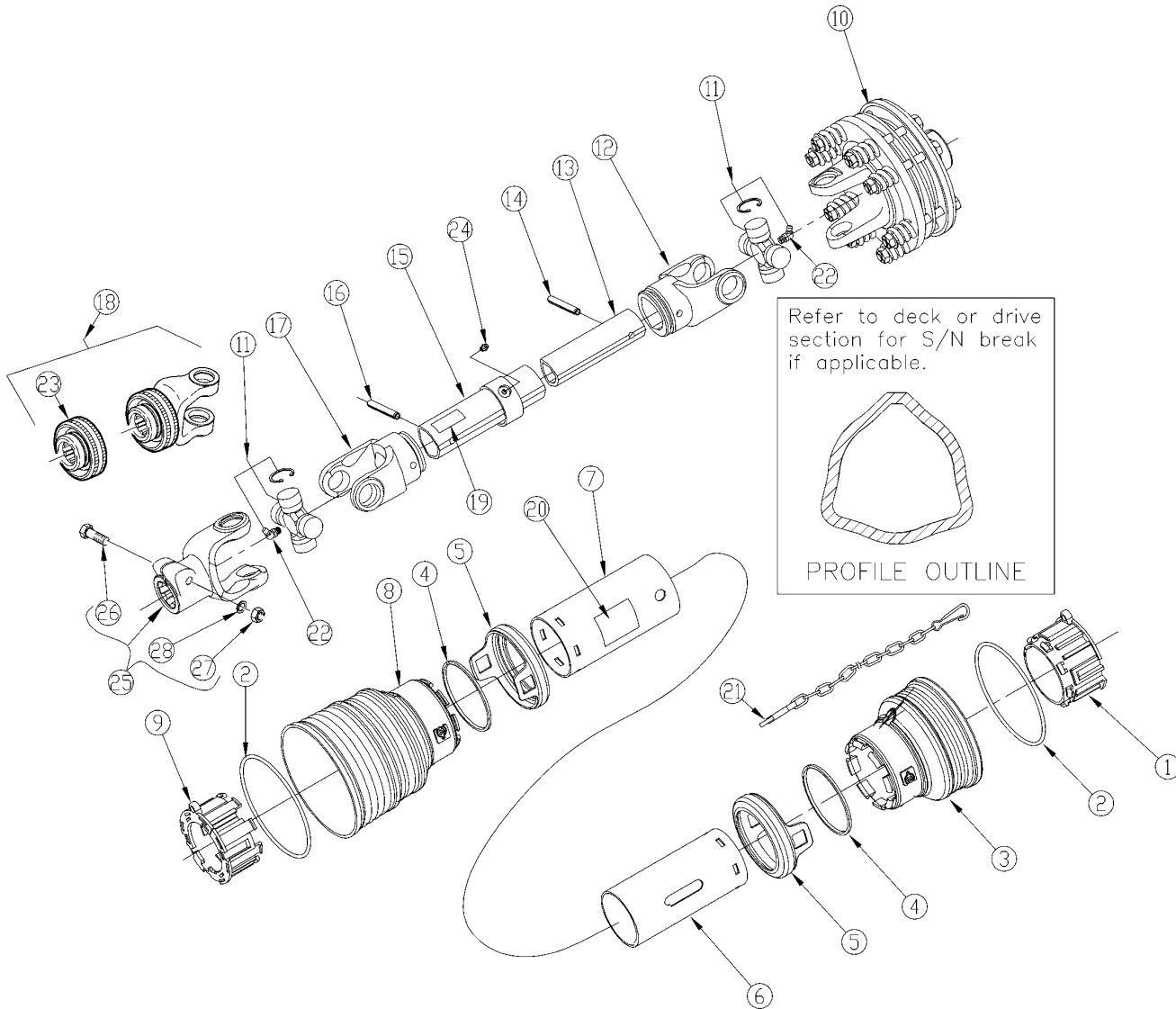
15521

Driveline Slip Clutch 540/1000 RPM (1446016) EC**Applies to RCBM6010, RCBM6015**

Ref	Part No.	Part Description	Comments	Revision
	dwg15521	Drawing Image Number		
	1446016	EC CLUTCH FD4/6 1 3/4 20 SPL *		
1.	1215012	EC CLUTCH SPRING		
2.	1706033	EC CLUTCH YOKE W/FLANGE		
3.	1705009	EC CLUTCH BUSHING		
4.	1808010	EC CLUTCH LINING RING		
5.	1708034	EC CLUTCH MIDDLE DISK		
6.	1138008	EC INNER DISK		
7.	1708016	EC HUB WITH FLANGE		
8.	6821484	EC CONICAL DOG KIT REPLACEMENT	Includes nut and washer	
9.	1138007	EC PRESSURE DISK		
10.	6691010	EC BOLT & SCREW NUT KIT REPL.		

Driveline Wing (826-185C) EC New Shielding

Applies to RCBM6010, RCBM6015

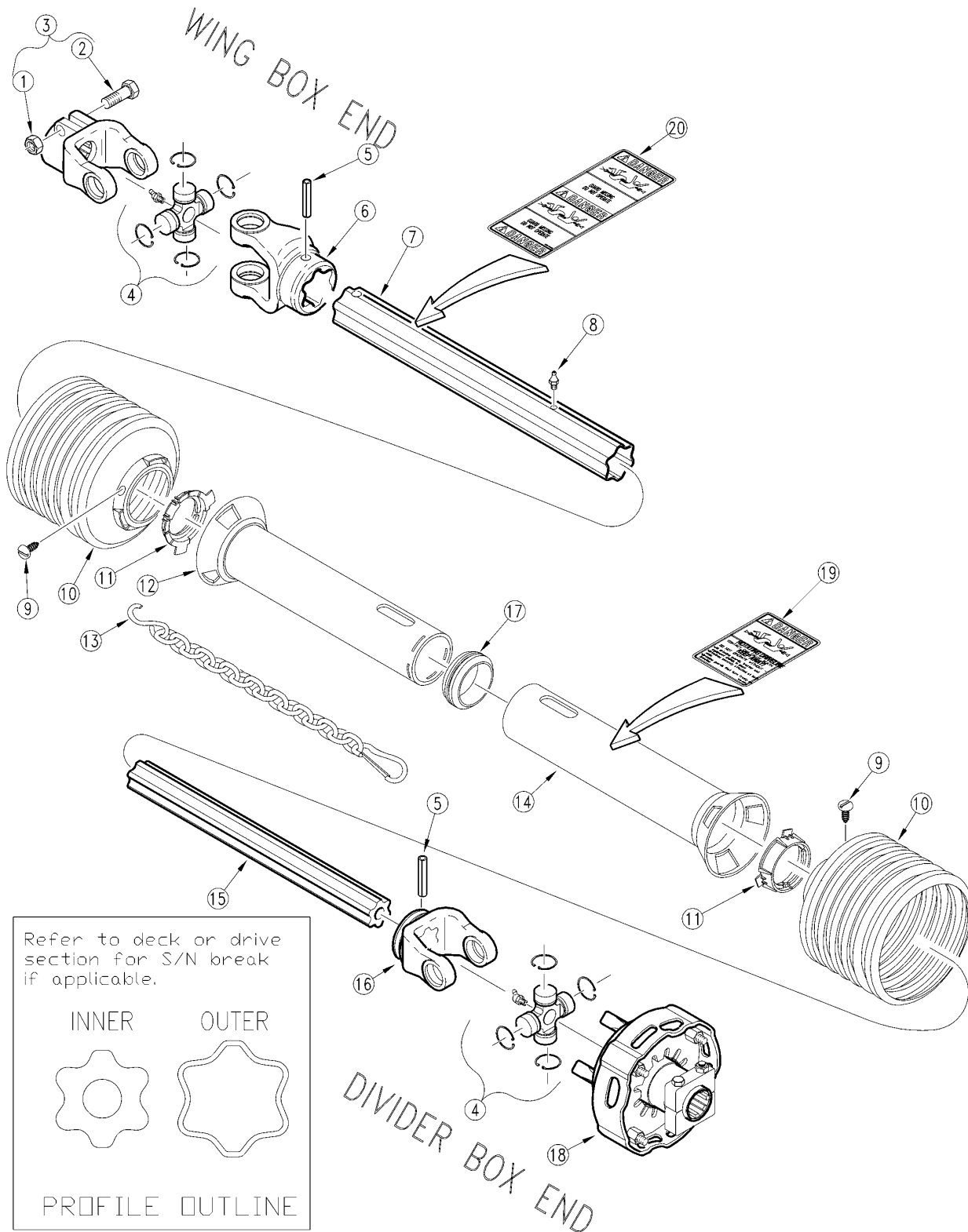


Driveline Wing (826-185C) EC New Shielding**Applies to RCBM6010, RCBM6015**

Ref	Part No.	Part Description	Comments	Revision
	dwg23996	Drawing Image Number		
	826-185C	PTO CAT.4 W/CLUTCH 1 3/4-20 *		
1.	1786711	EC TUBE BEARING (INNER TUBE)		
2.	1215733	EC STIFFENING RING		
3.	1885702	EC SHORT CONE		
4.	1215735	EC STOP RING		
5.	1885709	EC SAFETY SLEEVE		
6.	1877901	EC INNER TUBE SHEILD		
6.	1877111	RPBY 1877901		
7.	1876901	EC OUTER TUBE SHEILD		
7.	1876111	RPBY 1876901		
8.	1885703	EC STANDARD CONE		
9.	1786710	EC TUBE BEARING (OUTER TUBE)		
10.	1446016	EC CLUTCH FD4/6 1 3/4 20 SPL		
11.	1006020	EC CROSS ASSEMBLY		
12.	1706029	EC INNER TUBE YOKE		
13.	1526121	EC 1380MM INNER TUBE		
14.	6331070	EC 10X70 ROLL PIN		
15.	1528901	EC OUTER TUBE		
15.	1528121	RPBY 1528901		
16.	6331080	EC 10X80-DIN-1481 O/TUBE R/PIN		
17.	1706027	EC OUTER TUBE YOKE		
18.	1016025	EC YOKE ASSY 1 3/4-20(TRAC.END		
19.	818-540C	DECAL DANGER GUARD MISS PTO		
20.	818-552C	DECAL DANGER PTO DRIVELINE		
21.	044321	DRIVELINE SHIELD SAFETY CHAIN		
22.	6560508	EC GREASE ZERK 8X1 45 DEG.		
23.	1006220	EC TWIST COLLAR KIT(TRACT END)		
24.	6560006	EC GREASE ZERK M6X1 STRAIGHT		
25.	1106025	EC YOKE		
26.	6761480	EC BOLT	Includes 27,28	
27.	6410114	EC SCREW NUT (M14)		
28.	6412114	EC WASHER (d14)		

Driveline Wing (826-262C) Walterscheid

Applies to RCBM6010, RCBM6015



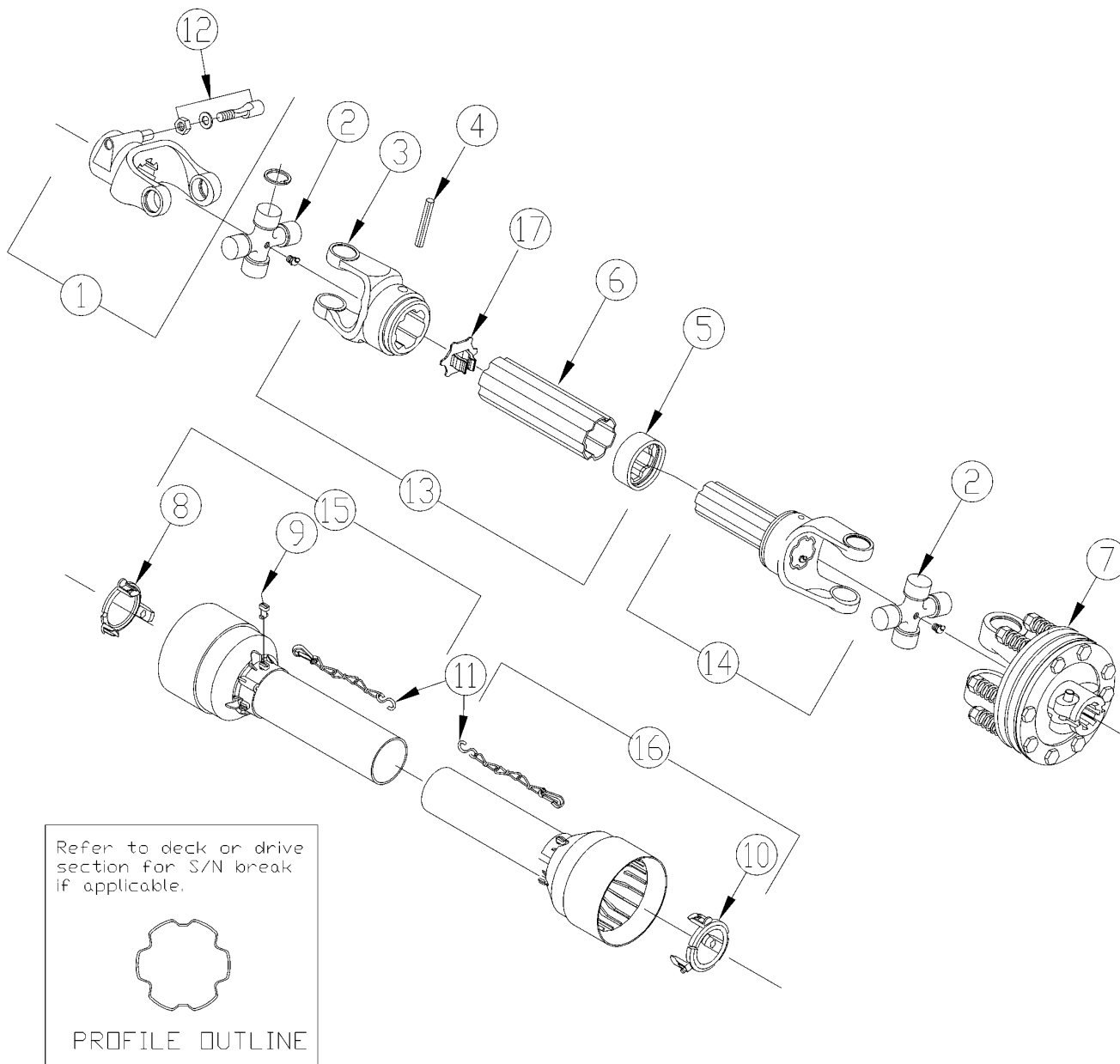
17004

Driveline Wing (826-262C) Walterscheid**Applies to RCBM6010, RCBM6015**

Ref	Part No.	Part Description	Comments	Revision
	dwg17004	Drawing Image Number		
	826-262C	PTO W2500/WSC CAT5 540/1000		
1.	304011	WS LOCK NUT M16		
2.	702352	WS HEX BOLT M16 X 90 GR 8.8		
3.	325027	WS YOKE 1 3/4-20 SPL.I.C. 2500		
4.	312209	WS CROSS & BEARING KIT 2500		
5.	304046	WS SPRING PIN 10 X 90		
6.	097140	WS INBOARD YOKE 2500		
7.	382223	WS PROFILE & SLEEVE W.A.		
8.	380371	WS ZERK		
9.	365305	WS SCREW		
10.	377437	WS SHIELD CONE 7 RIB		
11.	087276	WS BEARING RING - SC25		
12.	387767	WS INNER SHEILD TUBE RND		
13.	044321	DRIVELINE SHIELD SAFETY CHAIN		
14.	391707	WS OUTER SHEILD TUBE OVAL		
15.	323524	WS INNER PROFILE S4L		
16.	097133	WS INBOARD YOKE 2400		
17.	355155	WS SUPPORT BEARING		
18.	383805	WS FRICTION CLUTCH		
19.	818-552C	DECAL DANGER PTO DRIVELINE		
20.	818-540C	DECAL DANGER GUARD MISS		

Driveline Wing (826-481C) Comer (S/N 461935 to 461937, 468573+)

Applies to RCBM6010, RCBM6015

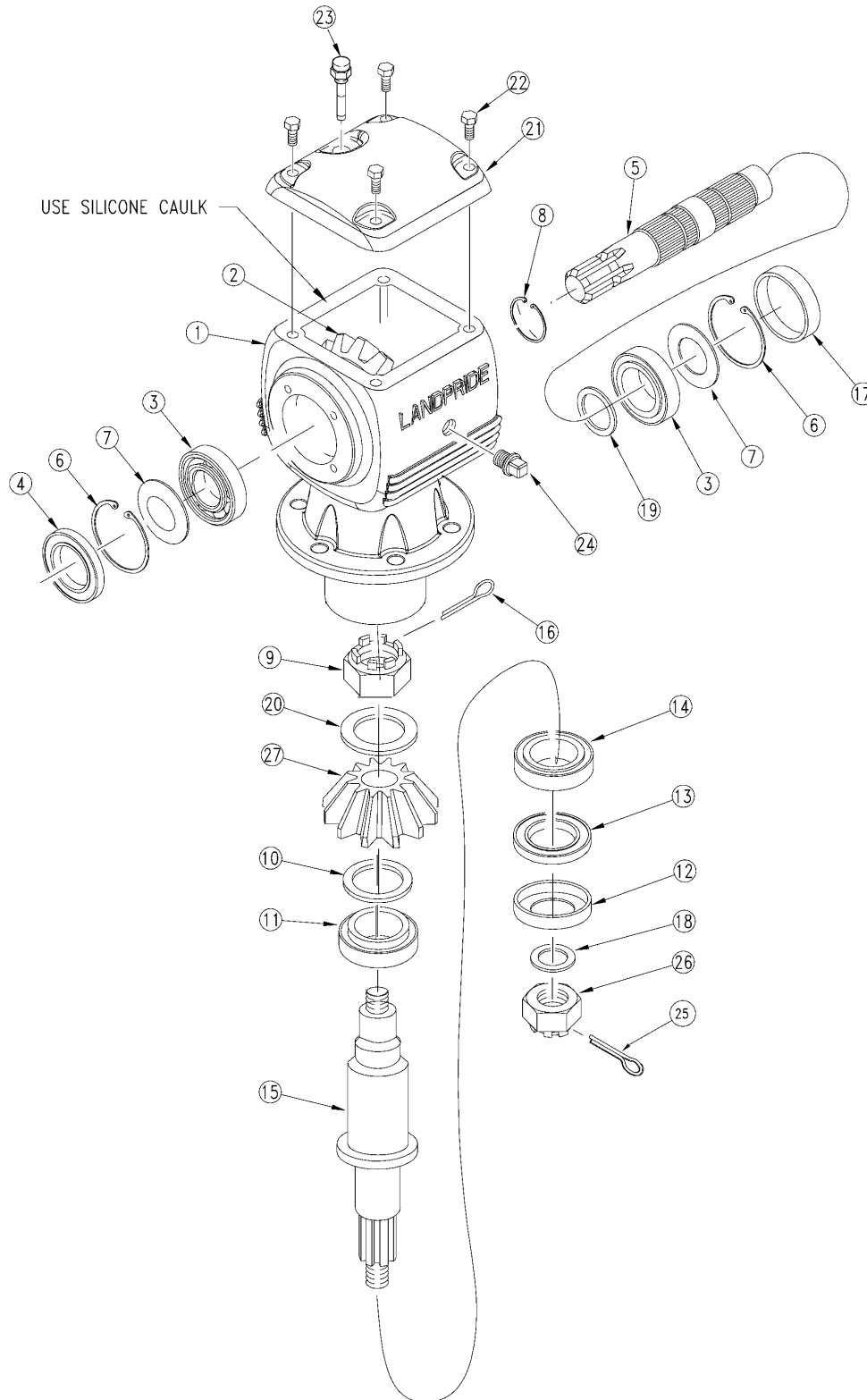


Driveline Wing (826-481C) Comer (S/N 461935 to 461937, 468573+)**Applies to RCBM6010, RCBM6015**

Ref	Part No.	Part Description	Comments	Revision
	dwg23953	Drawing Image Number		
	826-481C	PTO V80 X 59.3 1280NM CLUTCH		
1.	141.028.195.1	COMER YOKE COMPLETE		
2.	180.018.004	COMER CROSS ASSEMBLY		
3.	151.018.241.1	COMER YOKE OUTER		
4.	190.000.243	COMER OUTER TUBE ROLL PIN		
5.	180.018.437	COMER WIPER		
6.	1522805450710	COMER TUBE OUTER		
7.	146.284.020.1	COMER CLUTCH, DISC COMPLETE		
8.	180.018.251	COMER RETAINING COLLER INNER		
9.	180.014.240	COMER BOLT		
10.	180.018.252	COMER RETAINING COLLER INNER		
11.	180.016.025	COMER SAFTEY CHAINS		
12.	165.000.589	COMER TAPERED PIN SET 1 3/4		
13.	122.580.023.1	COMER TUBE W/YOKE/LUBE/FEMALE		
14.	122.580.511.1	COMER TUBE W/YOKE/LUBE/MALE		
15.	1422831949821	COMER HALF FEMALE GRD W/LABEL		
16.	1422871029821	COMER HALF MALE GUARDING		
17.	180.018.393	COMER CAP OUTER TUBE, PLASTIC		

Gearbox 1000 RPM RCM5015 (826-317C) RCM6015 (826-322C) Comer

Applies to RCBM6010, RCBM6015



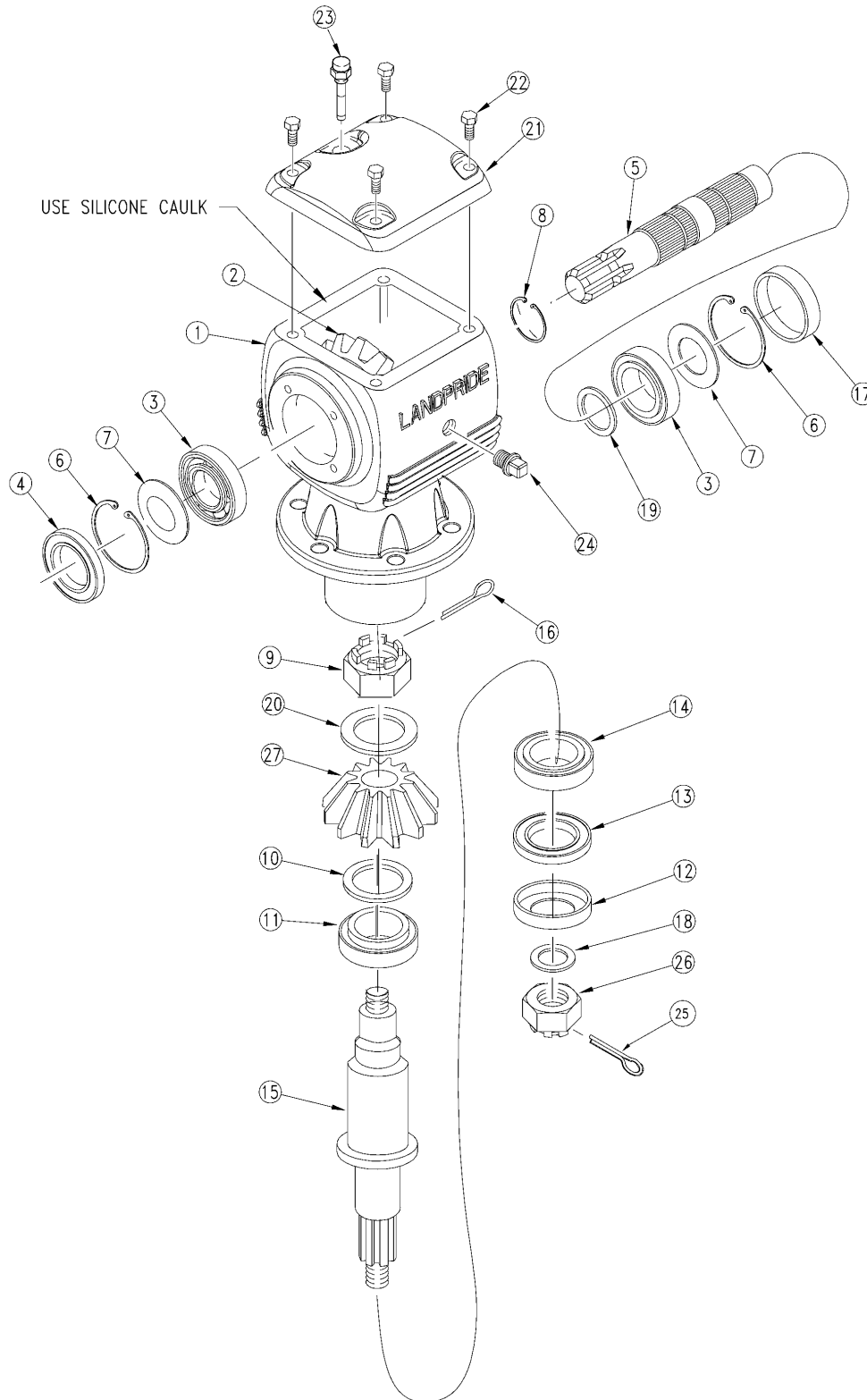
21167

Gearbox 1000 RPM RCM5015 (826-317C) RCM6015 (826-322C) Comer**Applies to RCBM6010, RCBM6015**

Ref	Part No.	Part Description	Comments	Revision
	dwg21167	Drawing Image Number		
	826-317C	GBOX RCM50 1.75-20 1:1.21 CCW	RCM5015	
	826-322C	GBOX RCM60 1.75-20 1:1.21 CCW	RCM6015	
1.	U0.125.0531.00	CO HOUSING	RCM5015 (826-317C)	
1.	U0.125.0532.00	CO HOUSING	RCM6015 (826-322C)	
2.	U0.125.5003.00	CO CROWN GEAR Z22 M7.8		
3.	8.0.9.00143	CO BEARING 30209 RTA25		
4.	8.7.3.00331	CO OIL SEAL 45 X 85 X 10		
5.	U0.125.2050.00	CO INPUT SHAFT 1 3/4"-20		
6.	8.5.2.00332	CO SNAP RING UNI 7437		
7.	0.709.7500.00	CO SHIM 84.7		
8.	8.5.1.00533	CO SNAP RING 50 UNI7435		
9.	U0.125.7100.00	CO CASTLE NUT		
10.	0.712.7500.00	CO SHIM 50.3X70.3		
11.	8.0.9.01090	CO BEARING 32210		
12.	1.181.7101.00	CO SEAL PROTECTOR		
13.	8.7.1.02349	CO OIL SEAL 60X110X12		
14.	8.0.9.00079	CO BEARING 30212		
15.	U0.125.3002.00	CO OUTPUT SHAFT	RCM5015 (826-317C)	
15.	U0.125.3003.00	CO OUTPUT SHAFT	RCM5015 (826-317C)	
16.	8.4.7.02265	CO COTTER PIN B 5X60		
17.	0.121.7101.00	CO CAP		
18.	0.288.7101.00	CO BLANK WASHER		
19.	0.252.7525.00	CO SHIM 45.3X2.5		
20.	0.285.7510.00	CO SHIM 40.3 X 61.7 X 1		
21.	U0.125.1301.00	CO COVER		
22.	8.1.1.00501	CO BOLT M8X22 HHB		
23.	U0.125.7003.00	CO OIL LEVEL PLUG SOLD-SPRTLY		
24.	8.6.5.00006	CO OIL PLUG 3/8		
25.	8.4.7.01045	CO COTTER PIN B6X70 SLD-SPRTLY		
26.	8.2.2.00560	CO CASTLE NUT M36X3		
27.	U0.125.6003.00	CO CROWN GEAR Z18 M7.8		

Gearbox 1000 RPM RCM5015 (826-318C) RCM6015 (826-323C) Comer

Applies to RCBM6010, RCBM6015



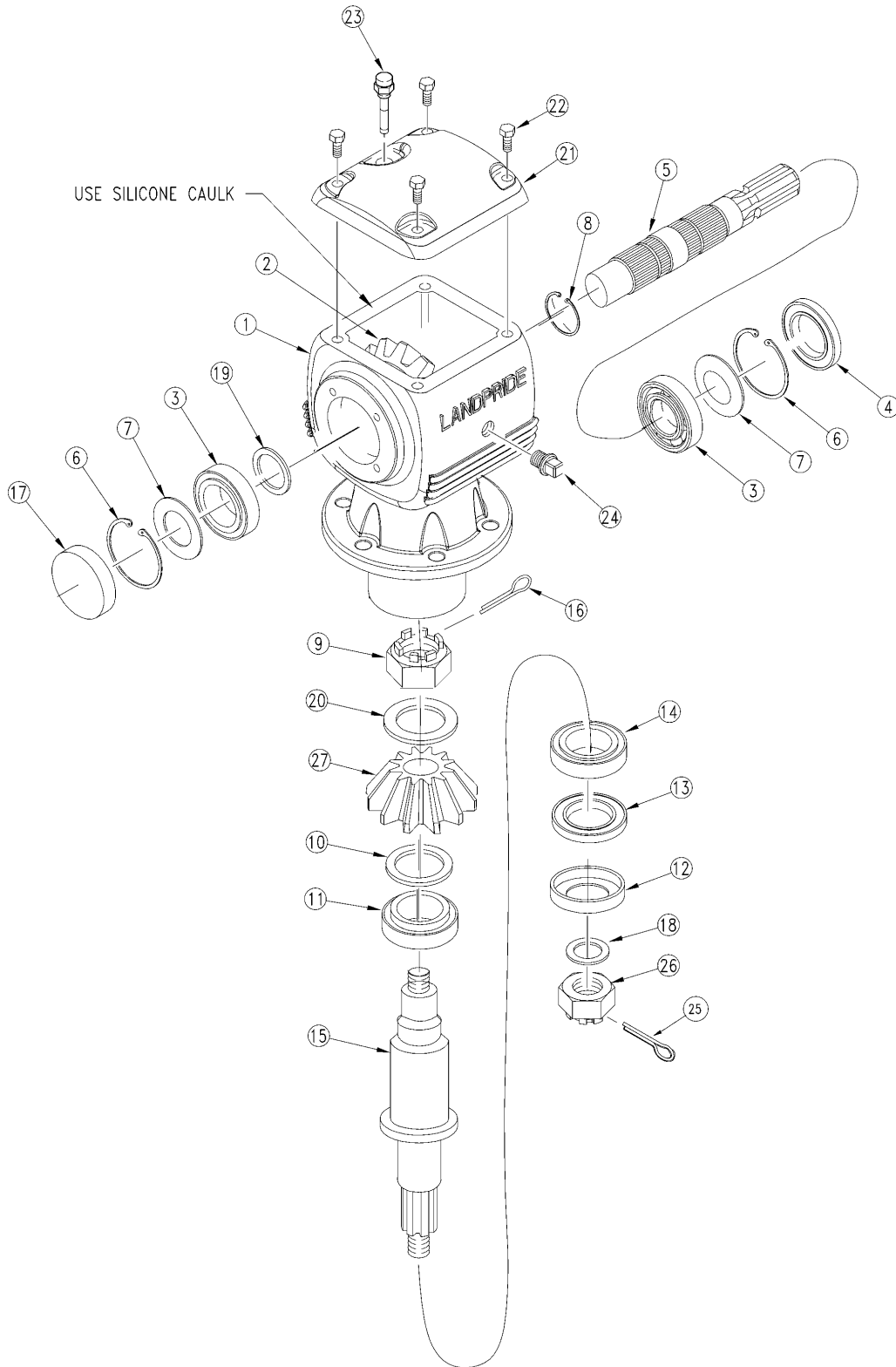
21167

Gearbox 1000 RPM RCM5015 (826-318C) RCM6015 (826-323C) Comer**Applies to RCBM6010, RCBM6015**

Ref	Part No.	Part Description	Comments	Revision
	dwg21167	Drawing Image Number		
	826-318C	GBOX RCM50 1.75-20 1.21:1 CCW	RCM5015	
	826-323C	GBOX RCM60 1.75-20 1.21:1 CCW	RCM6015	
1.	U0.125.0531.00	CO HOUSING	RCM5015 (826-318C)	
1.	U0.125.0532.00	CO HOUSING	RCM6015 (826-323C)	
2.	U0.125.6003.00	CO CROWN GEAR Z18 M7.8		
3.	8.0.9.00143	CO BEARING 30209 RTA25		
4.	8.7.3.00331	CO OIL SEAL 45 X 85 X 10		
5.	U0.125.2050.00	CO INPUT SHAFT 1 3/4"-20		
6.	8.5.2.00332	CO SNAP RING UNI 7437		
7.	0.709.7500.00	CO SHIM 84.7		
8.	8.5.1.00533	CO SNAP RING 50 UNI7435		
9.	U0.125.7100.00	CO CASTLE NUT		
10.	0.712.7500.00	CO SHIM 50.3X70.3		
11.	8.0.9.01090	CO BEARING 32210		
12.	1.181.7101.00	CO SEAL PROTECTOR		
13.	8.7.1.02349	CO OIL SEAL 60X110X12		
14.	8.0.9.00079	CO BEARING 30212		
15.	U0.125.3002.00	CO OUTPUT SHAFT	RCM5015 (826-318C)	
15.	U0.125.3003.00	CO OUTPUT SHAFT	RCM6015 (826-323C)	
16.	8.4.7.02265	CO COTTER PIN B 5X60		
17.	0.121.7101.00	CO CAP		
18.	0.288.7101.00	CO BLANK WASHER		
19.	0.252.7525.00	CO SHIM 45.3X2.5		
20.	0.285.7510.00	CO SHIM 40.3 X 61.7 X 1		
21.	U0.125.1301.00	CO COVER		
22.	8.1.1.00501	CO BOLT M8X22 HHB		
23.	U0.125.7003.00	CO OIL LEVEL PLUG SOLD-SPRTLY		
24.	8.6.5.00006	CO OIL PLUG 3/8		
25.	8.4.7.01045	CO COTTER PIN B6X70 SLD-SPRTLY		
26.	8.2.2.00560	CO CASTLE NUT M36X3		
27.	U0.125.5003.00	CO CROWN GEAR Z22 M7.8		

Gearbox 1000 RPM RCM5015 (826-319C) RCM6015 (826-324C) Comer

Applies to RCBM6010, RCBM6015



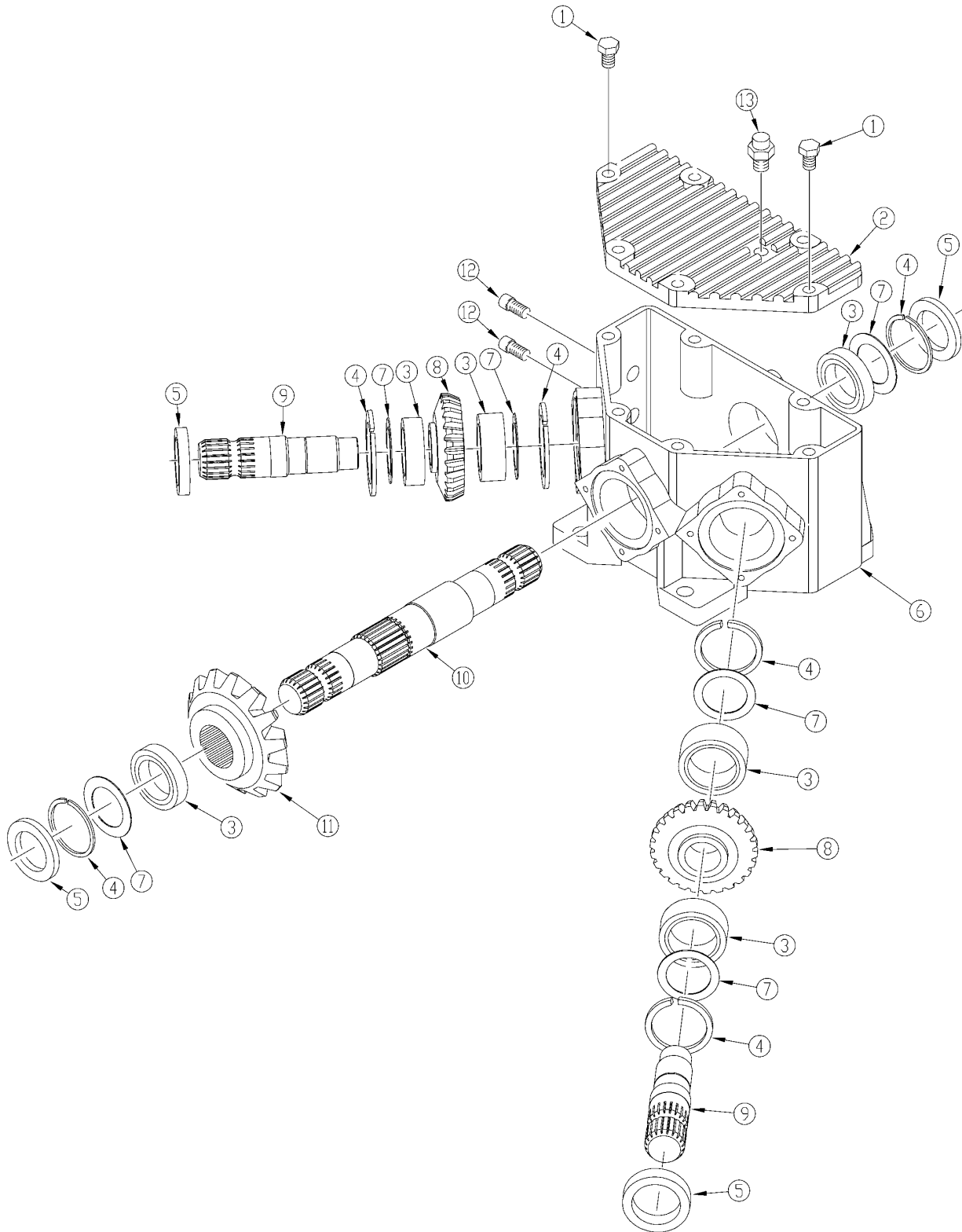
21171

Gearbox 1000 RPM RCM5015 (826-319C) RCM6015 (826-324C) Comer**Applies to RCBM6010, RCBM6015**

Ref	Part No.	Part Description	Comments	Revision
	dwg21171	Drawing Image Number		
	826-319C	GBOX RCM50 1.75-20 1:1.21 CW	RCM5015	
	826-324C	GBOX RCM60 1.75-20 1:1.21 CW	RCM6015	
1.	U0.125.0531.00	CO HOUSING	RCM5015 (826-319C)	
1.	U0.125.0532.00	CO HOUSING	RCM6015 (826-324C)	
2.	U0.125.5003.00	CO CROWN GEAR Z22 M7.8		
3.	8.0.9.00143	CO BEARING 30209 RTA25		
4.	8.7.3.00331	CO OIL SEAL 45 X 85 X 10		
5.	U0.125.2050.00	CO INPUT SHAFT 1 3/4"-20		
6.	8.5.2.00332	CO SNAP RING UNI 7437		
7.	0.709.7500.00	CO SHIM 84.7		
8.	8.5.1.00533	CO SNAP RING 50 UNI7435		
9.	U0.125.7100.00	CO CASTLE NUT		
10.	0.712.7500.00	CO SHIM 50.3X70.3		
11.	8.0.9.01090	CO BEARING 32210		
12.	1.181.7101.00	CO SEAL PROTECTOR		
13.	8.7.1.02349	CO OIL SEAL 60X110X12		
14.	8.0.9.00079	CO BEARING 30212		
15.	U0.125.3002.00	CO OUTPUT SHAFT	RCM5015 (826-319C)	
15.	U0.125.3003.00	CO OUTPUT SHAFT	RCM6015 (826-319C)	
16.	8.4.7.02265	CO COTTER PIN B 5X60		
17.	0.121.7101.00	CO CAP		
18.	0.288.7101.00	CO BLANK WASHER		
19.	0.252.7525.00	CO SHIM 45.3X2.5		
20.	0.285.7510.00	CO SHIM 40.3 X 61.7 X 1		
21.	U0.125.1301.00	CO COVER		
22.	8.1.1.00501	CO BOLT M8X22 HHB		
23.	U0.125.7003.00	CO OIL LEVEL PLUG SOLD-SPRTLY		
24.	8.6.5.00006	CO OIL PLUG 3/8		
25.	8.4.7.01045	CO COTTER PIN B6X70 SLD-SPRTLY		
26.	8.2.2.00560	CO CASTLE NUT M36X3		
27.	U0.125.6003.00	CO CROWN GEAR Z18 M7.8		

Gearbox Divider 1000 RPM (826-180C) Comer

Applies to RCBM6010, RCBM6015



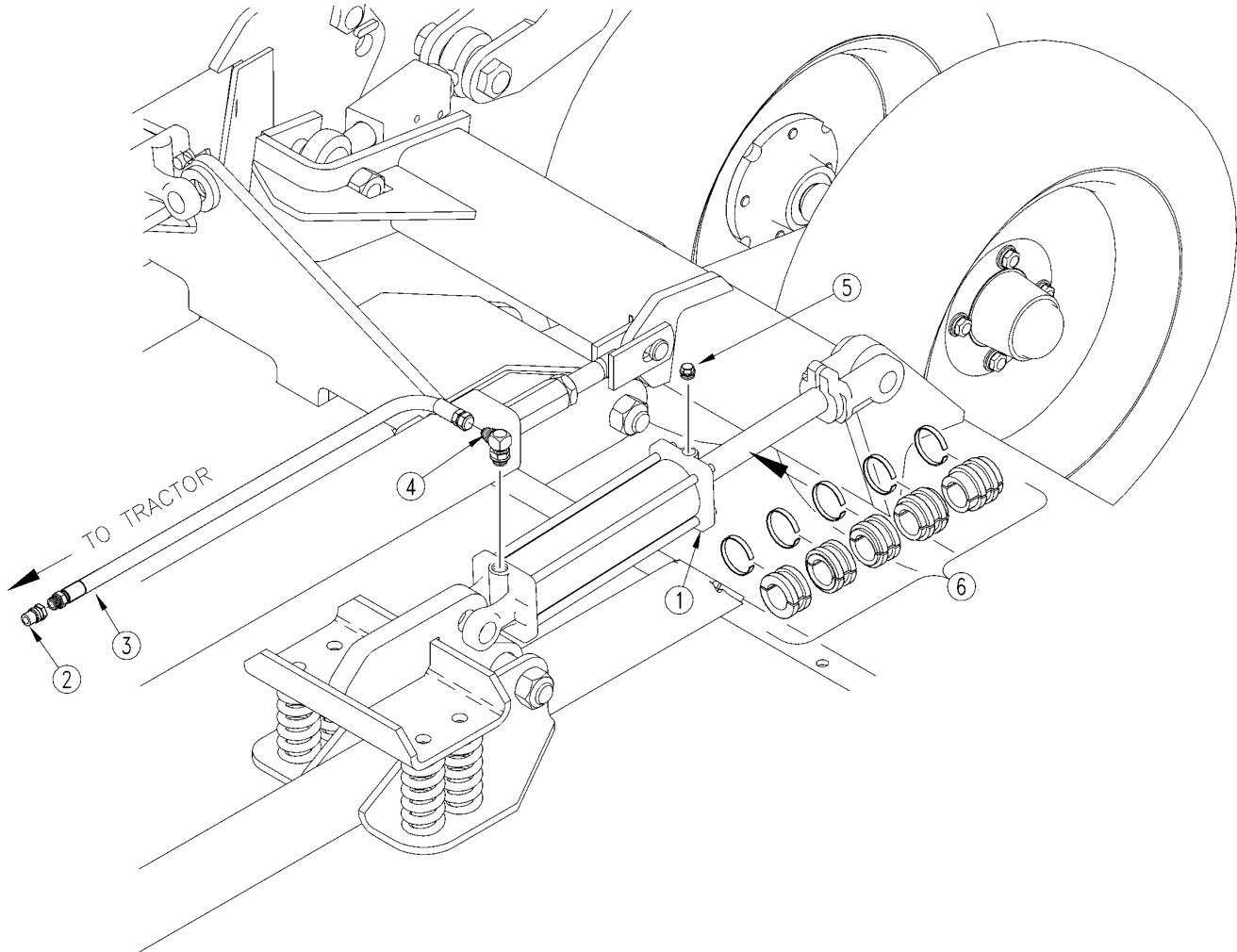
19604

Gearbox Divider 1000 RPM (826-180C) Comer**Applies to RCBM6010, RCBM6015**

Ref	Part No.	Part Description	Comments	Revision
	dwg19604 826-180C	Drawing Image Number DIV OMNI/CO 1000RPM 1 3/4-20 *		
1.	8.1.1.00109	CO BOLT M10 X 35 8.8		
2.	0.305.1300.00	TOP COVER PLATE		
3.	8.0.9.00143	CO BEARING 30209 RTA25		
4.	8.5.2.01772	CO SNAP RING		
5.	8.7.3.00331	CO OIL SEAL 45 X 85 X 10		
6.	0.305.0300.01	CO CASING		
7.	0.709.7500.00	CO SHIM 84.7		
8.	0.305.5001.00	CO GEAR M6.5 Z24		
9.	0.305.3000.00	CO SHAFT 1" 3/4 Z20		
10.	0.305.2000.00	CO SHAFT 1" 3/4 Z20		
11.	0.305.6000.00	CO GEAR M6.5 Z20		
12.	8.6.6.00201	CO PLUG 3/8 GAS		
13.	8.6.7.00269	CO 1/2" GAS BREATHER PLUG		

Hydraulic Center Lift

Applies to RCBM6010, RCBM6015



15427

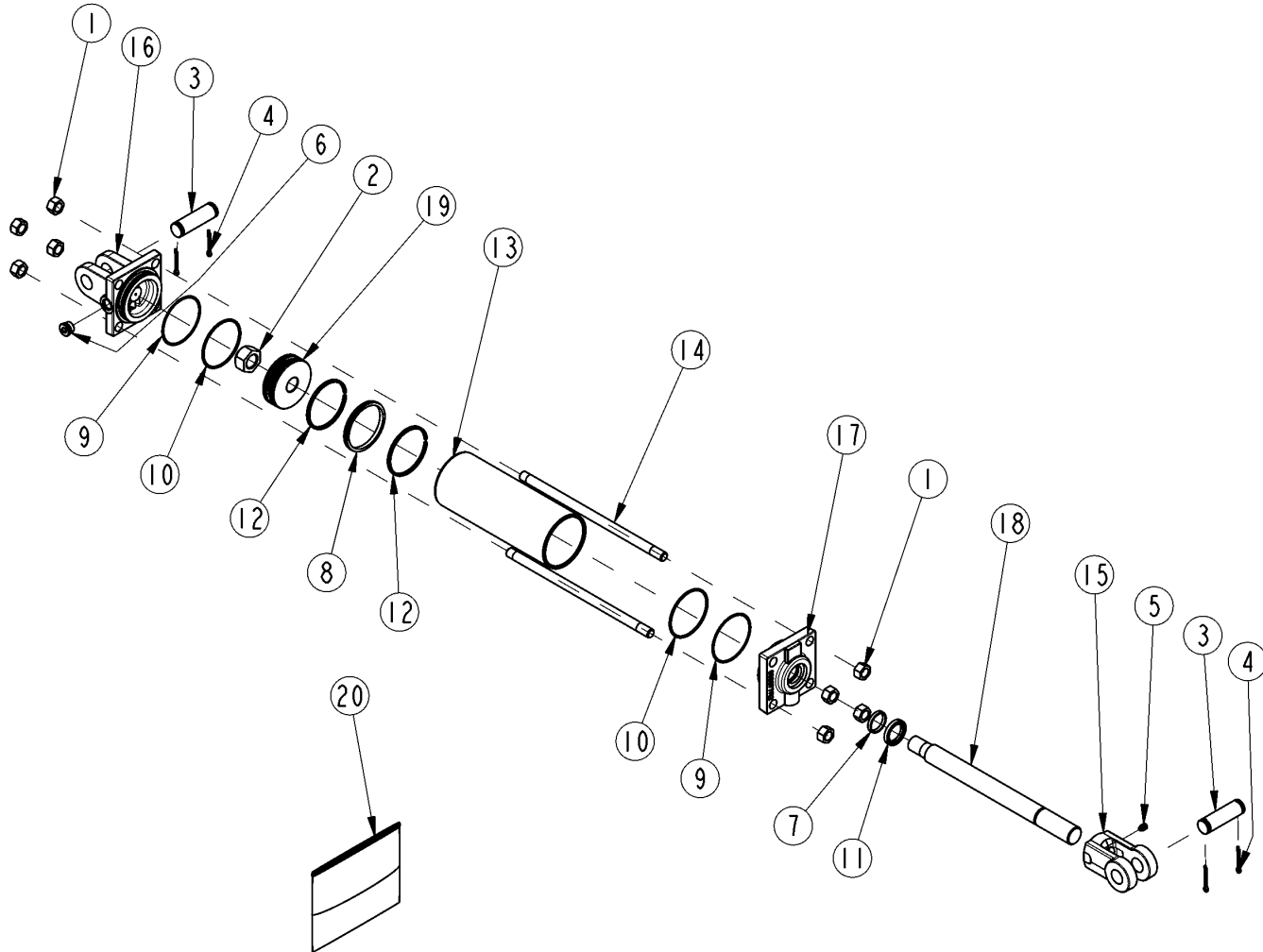
Hydraulic Center Lift

Applies to RCBM6010, RCBM6015

Ref	Part No.	Part Description	Comments	Revision
	dwg15427	Drawing Image Number		
1.	810-162C	CYL 3.5X8X1.25 ROD (TIE ROD)		
2.	811-394C	CP 3/4FORB MALE QD		
3.	811-619C	HH3/8R1 168 3/4MORB 3/4FJIC		
4.	811-063C	EL 3/4MJIC 3/4MORB		
5.	800-306C	FILL PLUG VENTED 3/4-16 PLT		
6.	810-317C	STROKE CONTROL SPACERS 1 1/4		

Hydraulic Cylinder (810-162C) Red Lion

Applies to RCBM6010, RCBM6015



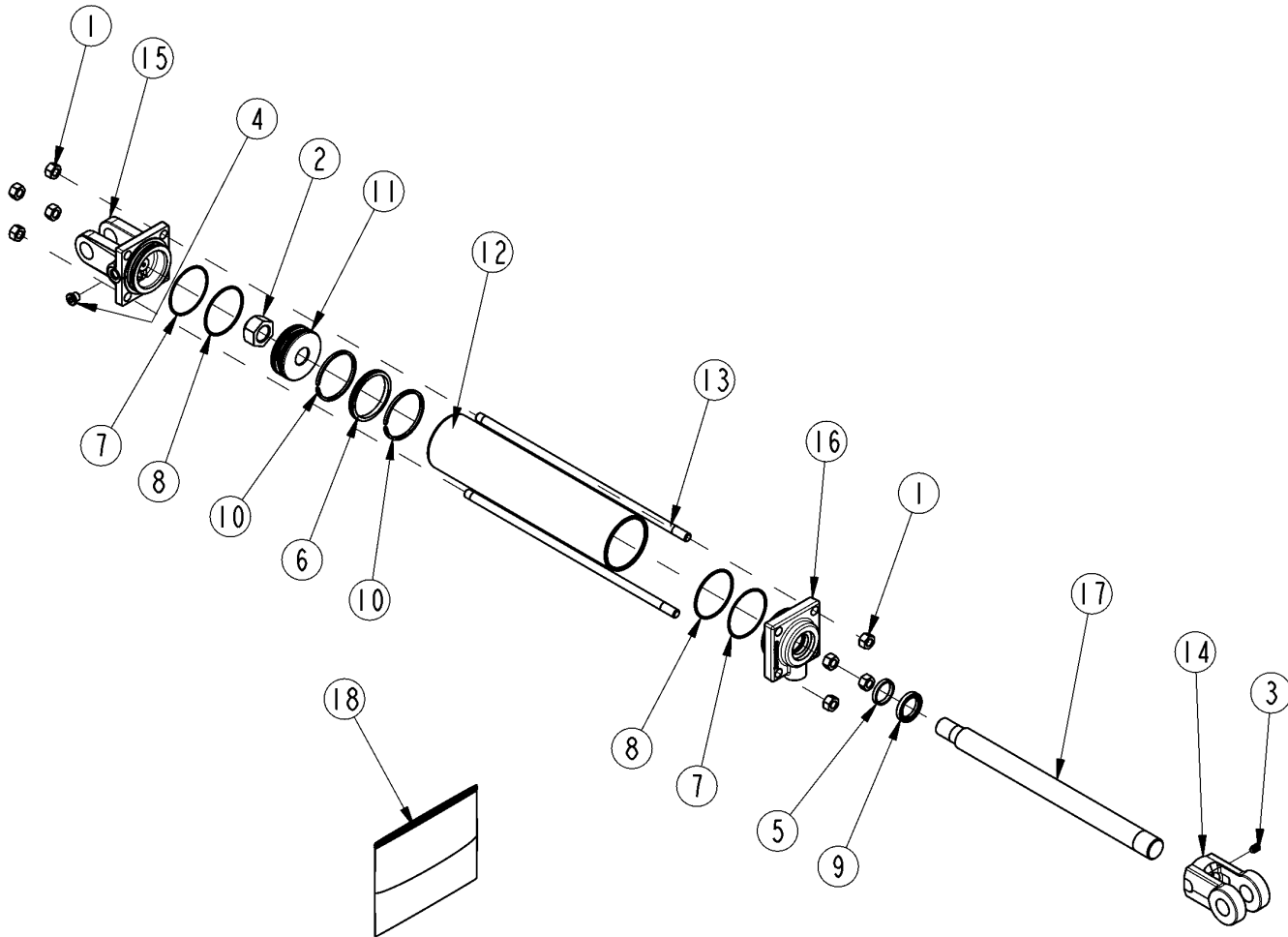
25900

Hydraulic Cylinder (810-162C) Red Lion**Applies to RCBM6010, RCBM6015**

Ref	Part No.	Part Description	Comments	Revision
	dwg25900	Drawing Image Number		
	810-162C	CYL 3.5X8X1.25 ROD (TIE ROD) *		
1.	803-022C	NUT HEX 5/8-18 PLT		
2.	130560	MON PISTON NUT		
3.	134953	LION PIN		
4.	135995	MON CLEVIS PIN COTTER		
5.	801-023C	SCREW SET SH 3/8-16X3/8 TYPE C		
6.	186562	LION PLUG 3/4-16UNF SOCKET HD		
7.	N/A	MON ROD SEAL	Only Found in Kit #20	
8.	N/A	MON PISTON SEAL (PSP)	Only Found in Kit #20	
9.	N/A	LION B.U. WASHER 073-236	Only Found in Kit #20	
10.	N/A	MON END CAP O-RING	Only Found in Kit #20	
11.	N/A	SEAL WIPER ROD	Only Found in Kit #20	
12.	N/A	MON PISTON WEAR RING	Only Found in Kit #20	
13.	491798	LION CYL. TUBE 3.5 X 8		
14.	492338	LION TIE ROD 5/8 X 8		
15.	492652	LION ROD CLEVIS 1 1/4 (1PIN)		
16.	492676	LION CLEVIS CAP 3.5 ORB		
17.	492677	LION ROD CAP 3.5 X 1 1/4 ORB		
18.	492700	LION ROD 1.25 DIA. ASAE 8		
19.	494754	MON PISTON		
20.	648411	MON SEALS REPAIR KIT		

Hydraulic Cylinder (810-312C) Red Lion

Applies to RCBM6010, RCBM6015



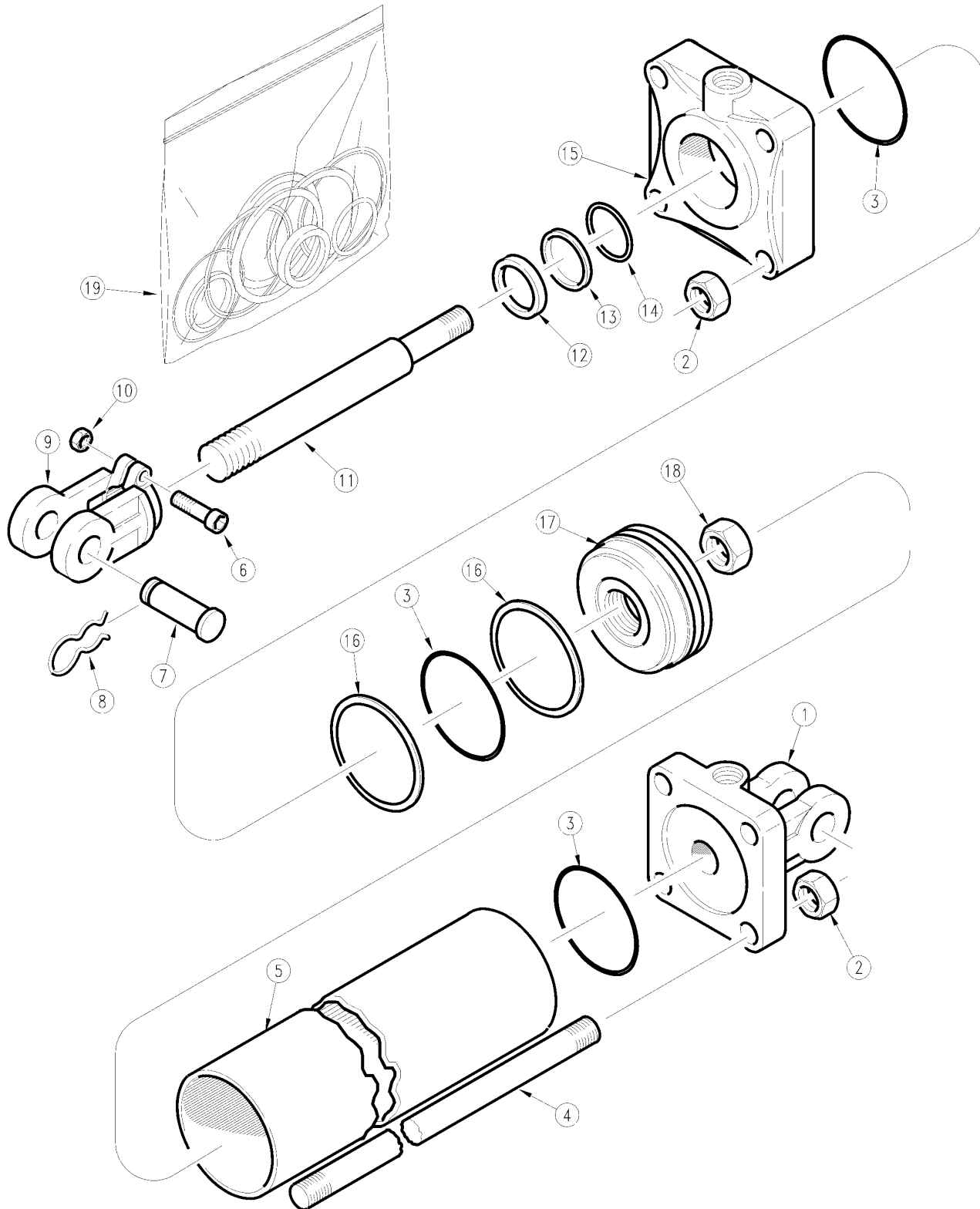
25902

Hydraulic Cylinder (810-312C) Red Lion**Applies to RCBM6010, RCBM6015**

Ref	Part No.	Part Description	Comments	Revision
	dwg12345	Drawing Image Number		
	810-312C	CYL 3X12X1.25 ROD (TIE ROD) *		
1.	803-020C	NUT HEX 1/2-13 PLT		
2.	130560	MON PISTON NUT		
3.	801-023C	SCREW SET SH 3/8-16X3/8 TYPE C		
4.	186561	PLUG 9/16-18UNF MORB SOCKET HD		
5.	N/A	MON ROD SEAL	Only Found in Kit #18	
6.	N/A	MON PISTON SEAL (PSP)	Only Found in Kit #18	
7.	N/A	MON END CAP B/U WASHER	Only Found in Kit #18	
8.	N/A	MON END CAP O-RING	Only Found in Kit #18	
9.	N/A	SEAL WIPER ROD	Only Found in Kit #18	
10.	N/A	MON PISTON WEAR RING	Only Found in Kit #18	
11.	294753	MON PISTON		
12.	491742	MON CYL TUBE		
13.	492282	MON TIE ROD		
14.	492652	LION ROD CLEVIS 1 1/4 (1PIN)		
15.	492721	LION CLEVIS CAP 3.0-9/16 ORB		
16.	492722	LION ROD CAP 3.0X1.25-9/16 ORB		
17.	492870	MON CYL ROD		
18.	645599	MON SEALS REPAIR KIT		

Hydraulic Cylinder Center Lift (810-162C) Cross

Applies to RCBM6010, RCBM6015



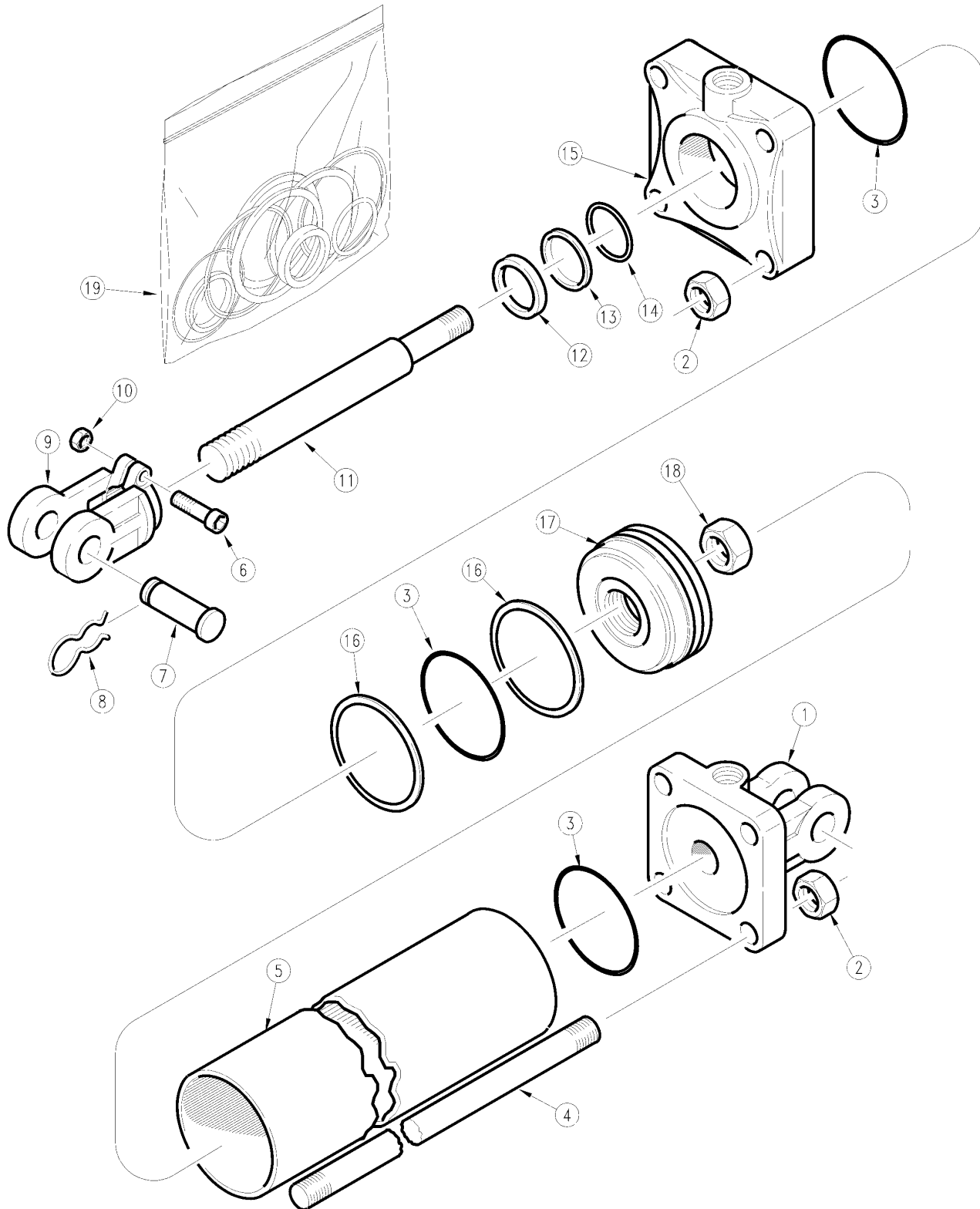
11421

Hydraulic Cylinder Center Lift (810-162C) Cross**Applies to RCBM6010, RCBM6015**

Ref	Part No.	Part Description	Comments	Revision
	dwg11421	Drawing Image Number		
	810-162C	CYL 3.5X8X1.25 ROD (TIE ROD) *		
1.	1D1509-4	BASE CROSS		
2.	2A0236-9	TIE ROD NUT CROSS		
3.		O-RING	Only available in Seal Kit (#19)	
4.	2A0581-1325	TIE ROD CROSS		
5.	1D0009-1050	TIE ROD CROSS		
6.	2A0079-616	CROSS SCREW, CAP		
7.	1D1551-16275	CROSS CLEVIS PIN		
8.	2A0308-1	CROSS PIN, CLIP		
9.	1D1003-5	CROSS ROD CLEVIS		
10.	2A0235-6	CROSS NUT, CLEVIS & TIE ROD		
11.	1D0205-1262	ROD CROSS		
12.		WIPER	Only available in Seal Kit (#19)	
13.		BACK-UP ROD	Only available in Seal Kit (#19)	
14.		O-RING	Only available in Seal Kit (#19)	
15.	1D1159-4	HEAD CROSS		
16.		BACK-UP PISTON	Only available in Seal Kit (#19)	
17.	1D1401-350	PISTON CROSS		
18.	1A1141	PISTON NUT CROSS		
19.	810-146C	SEAL KIT CROSS 3.5 CYL 1C4429		

Hydraulic Cylinder Center Lift (810-162C) Midway

Applies to RCBM6010, RCBM6015



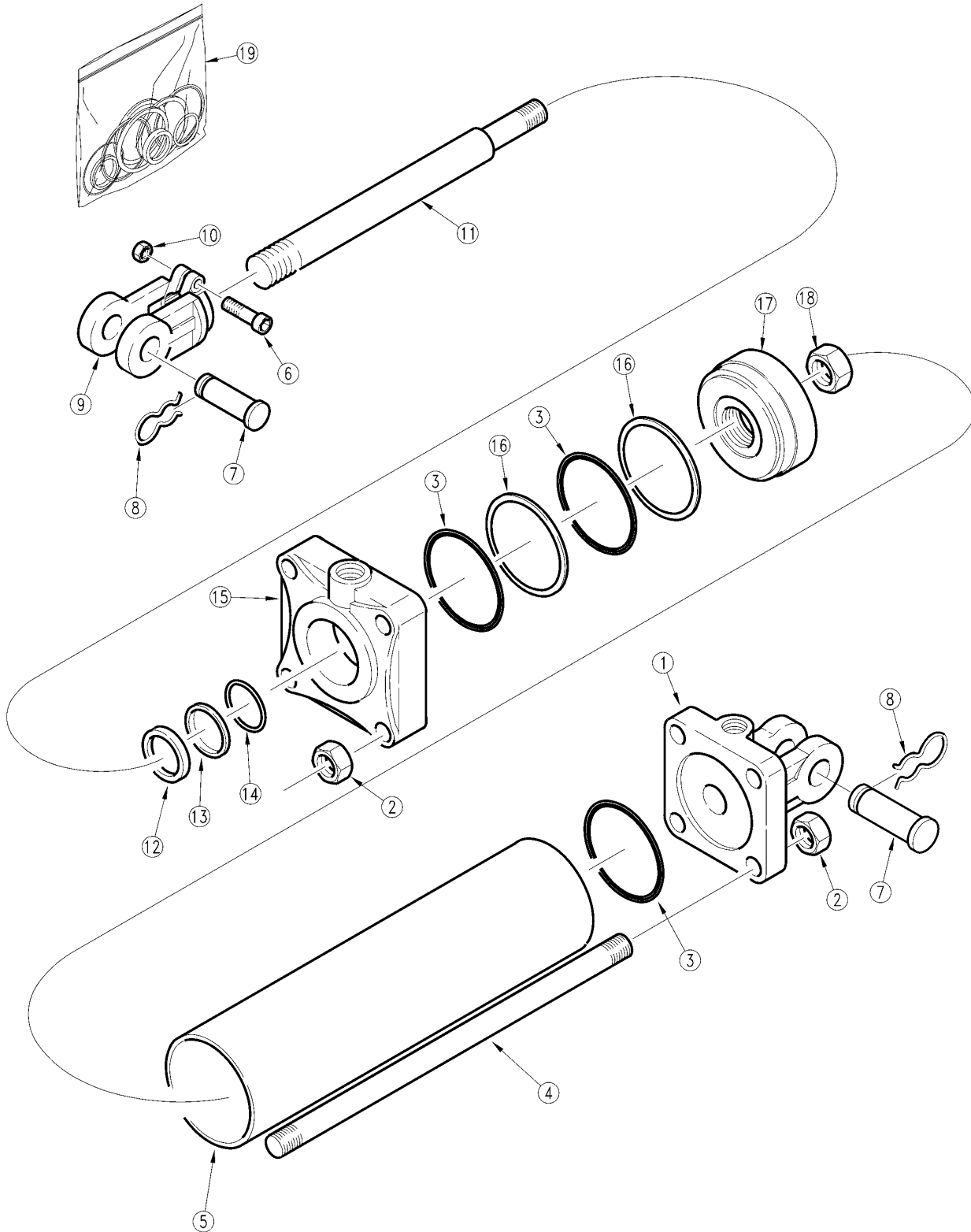
11421

Hydraulic Cylinder Center Lift (810-162C) Midway**Applies to RCBM6010, RCBM6015**

Ref	Part No.	Part Description	Comments	Revision
	dwg11421	Drawing Image Number		
	810-162C	CYL 3.5X8X1.25 ROD (TIE ROD) *		
1.	6M5142	MW BASE (STD 1 PIN)		
2.	2A0016	MW TIE ROD NUT		
3.		O-RING	Only available in Seal Kit (#19)	
4.	7M5316	MW ROD		
5.	5M5116	MW TUBE 3 1/2 X 8 CYLINDER		
6.	2A0006	MW CAPSCREW		
7.	2A0208	MW CLEVIS PIN		
8.	2A0132	MW PIN CLIP		
9.	1M6010	MW CLEVIS STD. DUTY		
10.	2A0012	MW NUT CLEVIS & TIE ROD		
11.	2M5416	MW ROD		
12.		WIPER	Only available in Seal Kit (#19)	
13.		BACK-UP ROD	Only available in Seal Kit (#19)	
14.		O-RING	Only available in Seal Kit (#19)	
15.	3M5408	MW HEAD		
16.		BACK-UP PISTON	Only available in Seal Kit (#19)	
17.	4M5102	MW PISTON 3 1/2 DIA.		
18.	2A0024	MW PISTON NUT 1-14		
19.	810-149C	SEAL KIT 810-104C MW 3A5102		

Hydraulic Cylinder Wing (810-312C) Cross

Applies to RCBM6010, RCBM6015



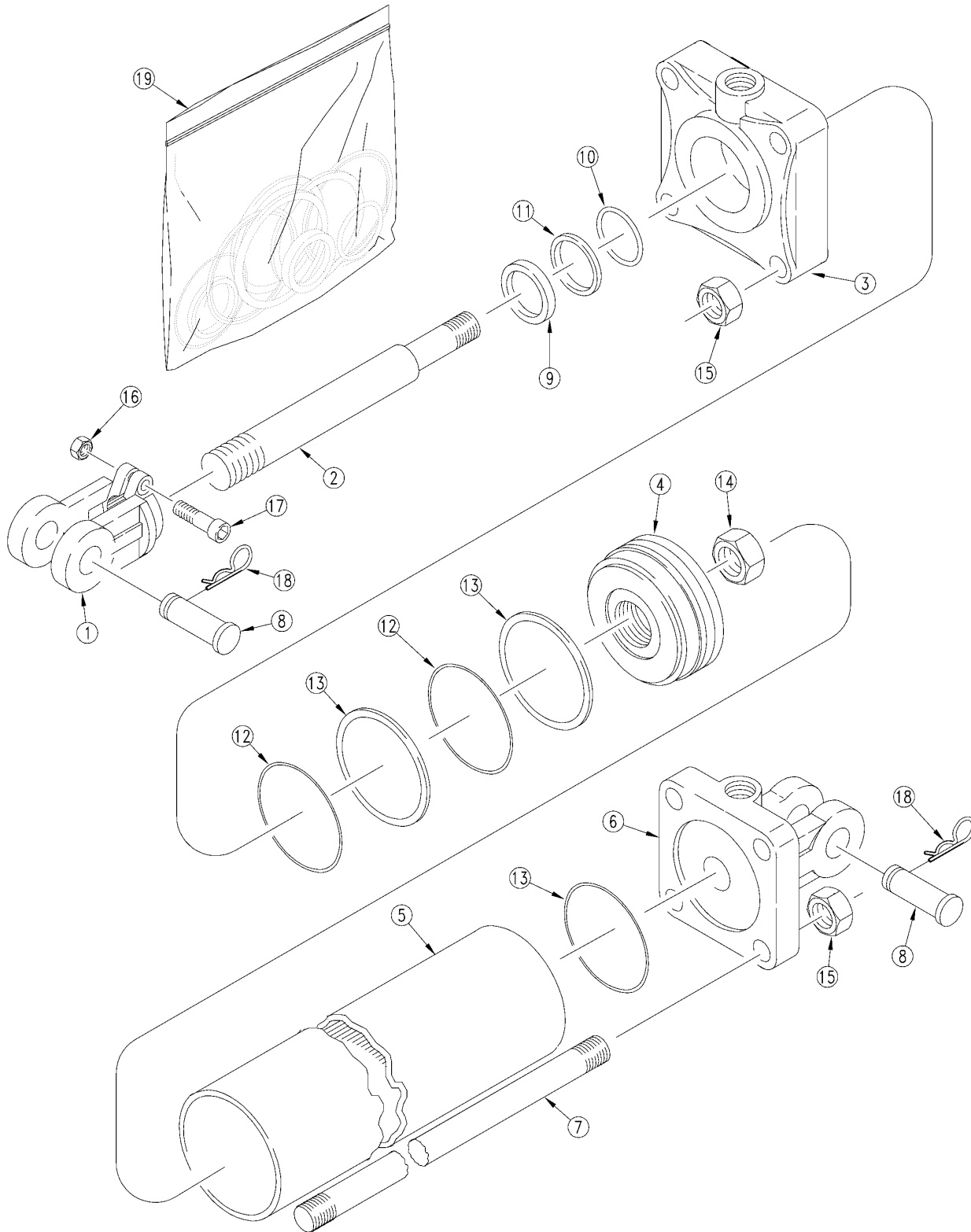
15572

Hydraulic Cylinder Wing (810-312C) Cross**Applies to RCBM6010, RCBM6015**

Ref	Part No.	Part Description	Comments	Revision
	dwg15572	Drawing Image Number		
	810-312C	CYL 3X12X1.25 ROD (TIE ROD		
1.	1D1505-3	BASE CROSS		
2.	2A0235-6	CROSS NUT,CLEVIS AND TIE ROD		
3.		O-RING	Only found in seal kit 20.	
4.	2A0578-1675	TIE ROD CROSS		
5.	1D0005-1450	TUBE CROSS		
6.	2A0079-616	CROSS SCREW CAP		
7.	1D1551-16275	CROSS CLEVIS PIN		
8.	2A0308-1	CROSS PIN,CLIP		
9.	1D1003-5	CROSS ROD CLEVIS		
10.	2A0235-6	CROSS NUT, CLEVIS AND TIE ROD		
11.	1D0206-1675	ROD CROSS		
12.		WIPER	Only found in seal kit 20.	
13.		BACK-UP	Only found in seal kit 20.	
14.		O-RING	Only found in seal kit 20.	
15.	1D1155-17	HEAD CROSS		
16.		BACK UP	Only found in seal kit 20.	
17.	1D1401-250	PISTON CROSS		
18.	2A0246-12	CROSS NUT,PISTON		
19.	810-177C	SEAL KIT MW 2.5X1.25ROD 3A3104		
19.	810-178C	SEAL KIT CROSS 2.5 CYL 1C498		

Hydraulic Cylinder Wing (810-312C) Midway

Applies to RCBM6010, RCBM6015



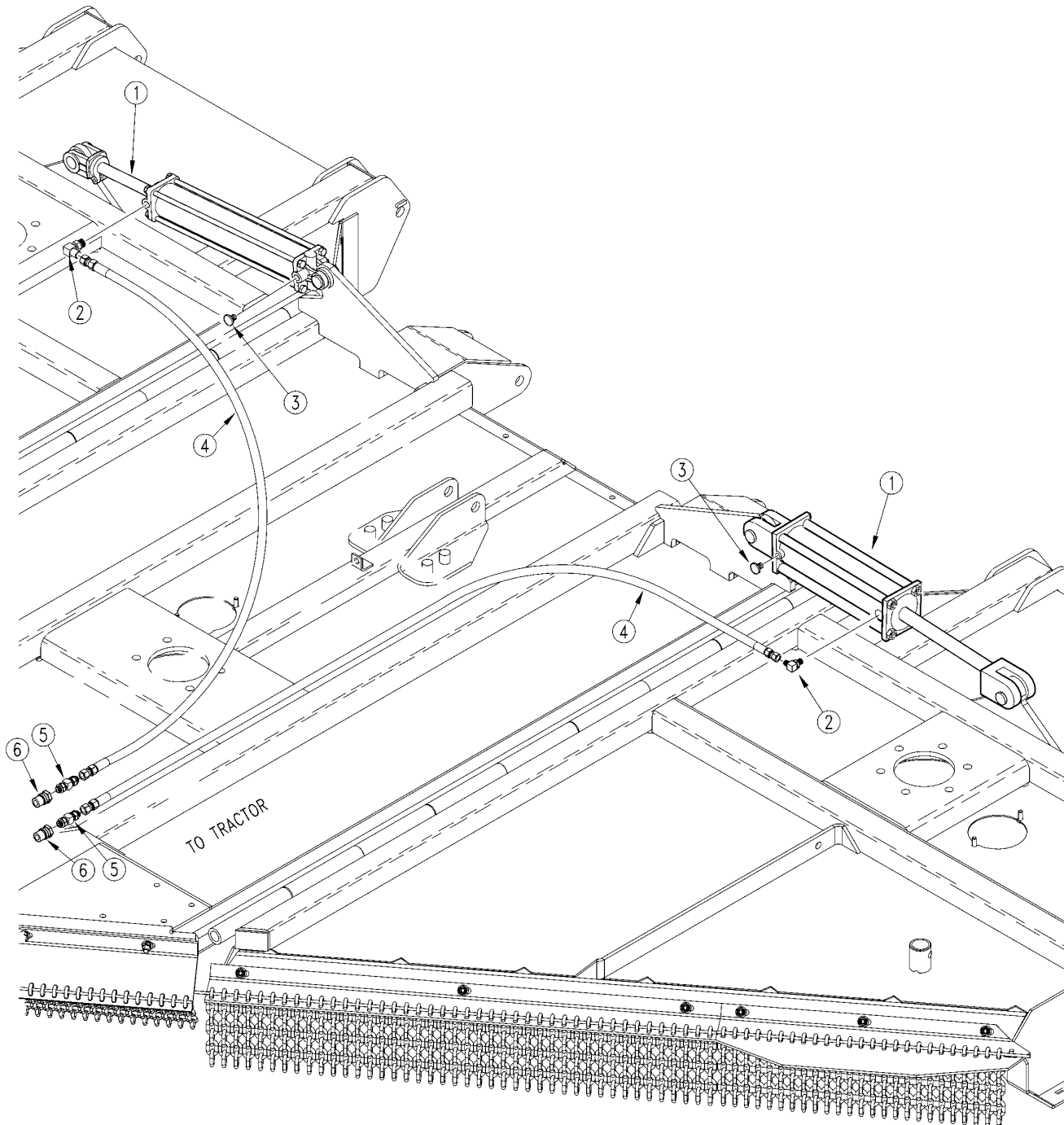
15242

Hydraulic Cylinder Wing (810-312C) Midway**Applies to RCBM6010, RCBM6015**

Ref	Part No.	Part Description	Comments	Revision
	dwg15242	Drawing Image Number		
	810-312C	CYL 3X12X1.25 ROD (TIE ROD)		
1.	1M6010	MW CLEVIS STD. DUTY		
2.	2M4418	MW ROD 1-1/4 DIA. X 10 STROKE		
3.	3M4410	MW HEAD CAP 3X1-1/4 RD 9/16SAE		
4.	4M4104	MW PISTON 3 DIA.		
5.	5M4120	MW TUBE 3 X 10 CYLINDER		
6.	6M4152	MW BASE 3 X 9/16 SAE		
7.	7M4320	MW TIE ROD 3 X 10 CYLINDER		
8.	2A0208	MW CLEVIS PIN		
9.		MW WIPER	Only found in seal kit 19	
10.		MW O-RING	Only found in seal kit 19	
11.		MW BACK-UP	Only found in seal kit 19	
12.		MW O-RING	Only found in seal kit 19	
13.		MW BACK UP	Only found in seal kit 19	
14.	2A0024	MW PISTON NUT 1-14		
15.	2A0014	MW TIE ROD NUT		
16.	2A0012	MW NUT CLEVIS & TIE ROD		
17.	2A0006	MW CAPSCREW		
18.	2A0132	MW PIN CLIP		
19.	810-015C	CYL SEAL KIT 3 X 7 MW 3A4104		

Hydraulic Wing Lift

Applies to RCBM6010, RCBM6015



18341

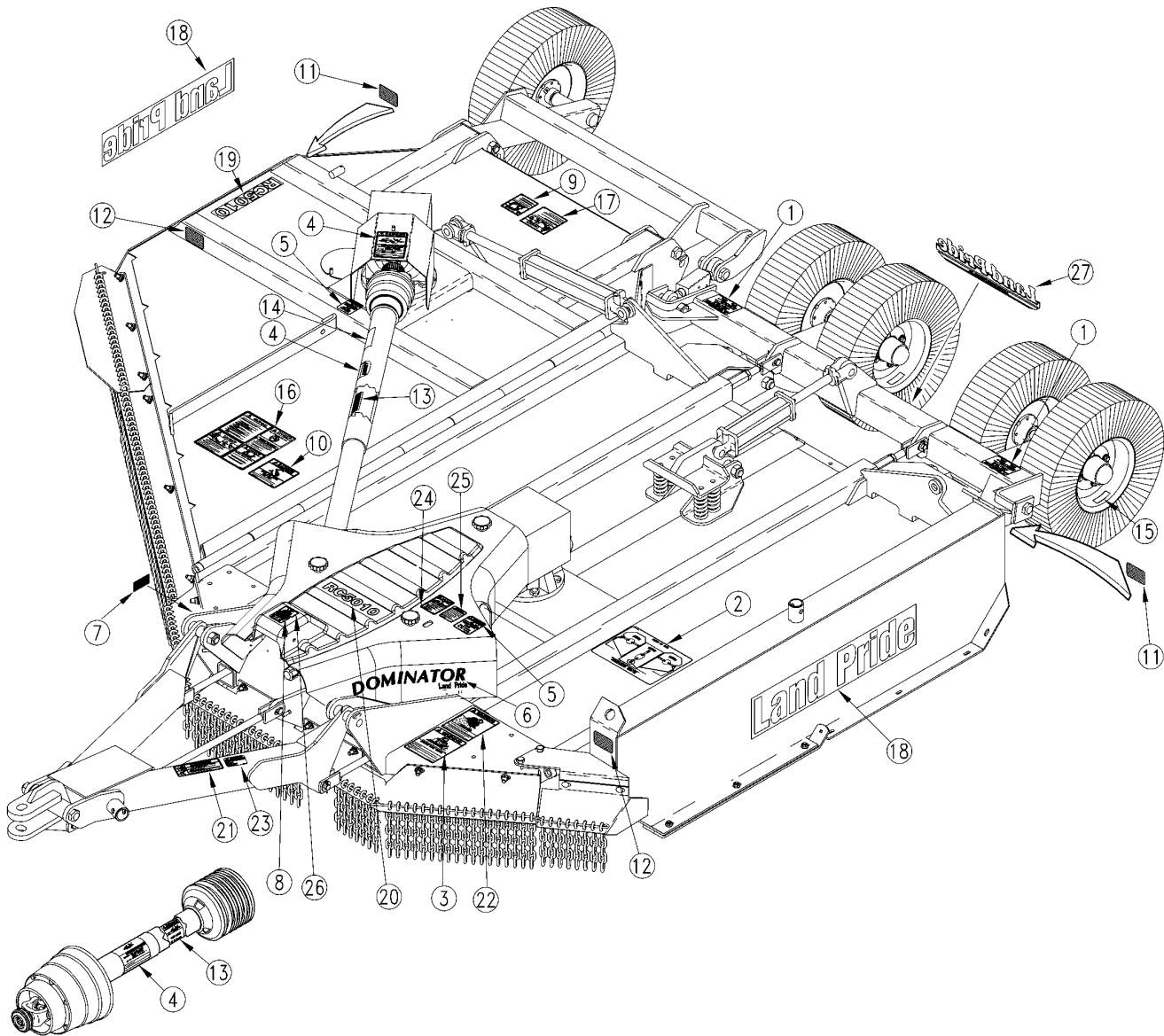
Hydraulic Wing Lift

Applies to RCBM6010, RCBM6015

Ref	Part No.	Part Description	Comments	Revision
	dwg18341	Drawing Image Number		
1.	810-312C	CYL 3X12X1.25 ROD (TIE ROD)		
2.	811-062C	OREL 1/32 9/16MJIC 9/16MORB		
3.	800-117C	VENT PLUG - 9/16-18 PLATED		
4.	811-165C	HH1/4R1 205 9/16FJIC	Used without Weight Box	
4.	318-398L	ASSY. HOSE BUNDLE 10'	Used with Weight Box	
5.	811-133C	AD 9/16MJIC 3/4MORB		
6.	811-394C	CP 3/4FORB MALE QD		

Label Placement

Applies to RCBM6010



22214

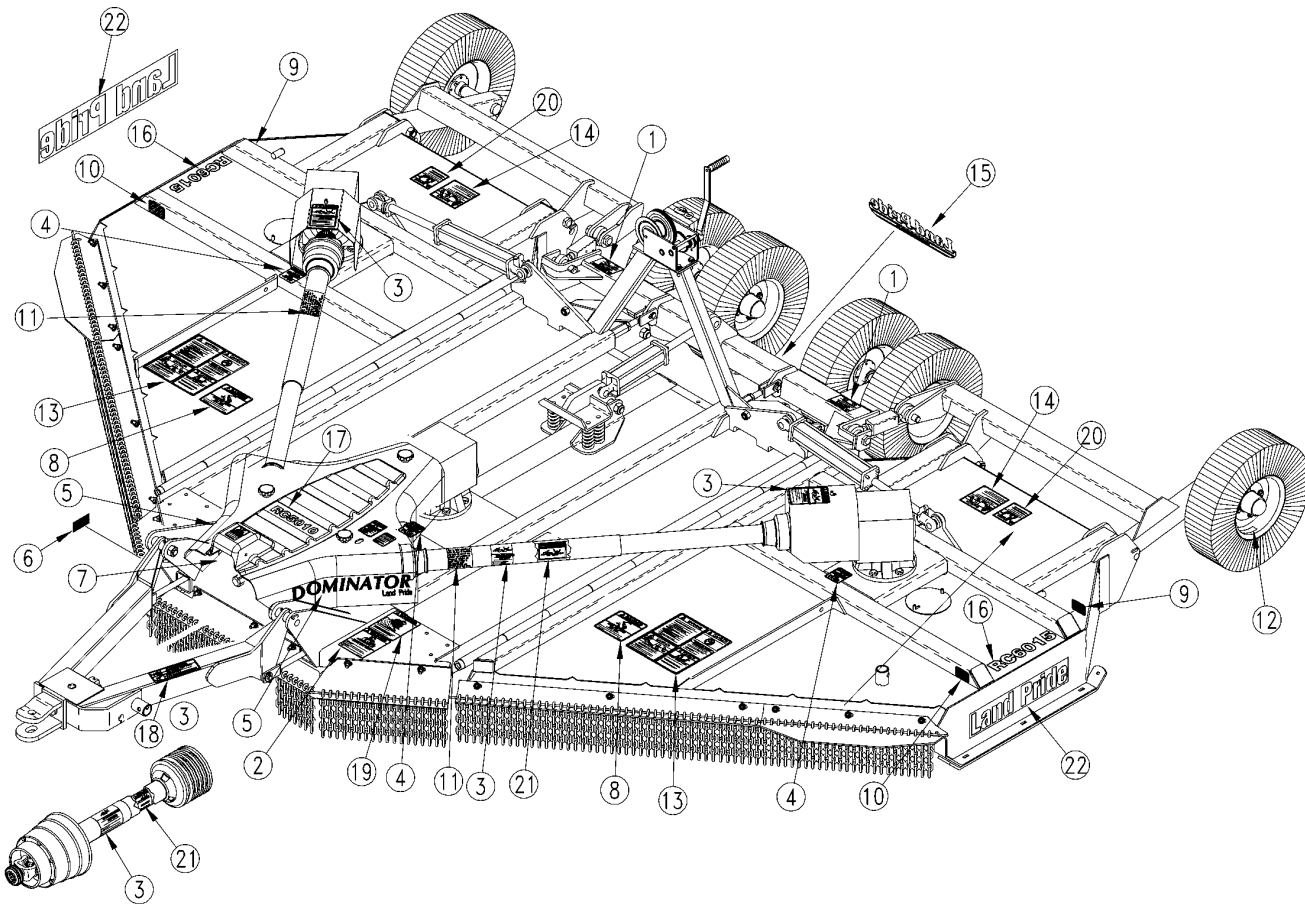
Label Placement

Applies to RCBM6010

Ref	Part No.	Part Description	Comments	Revision
	dwg22214	Drawing Image Number		
1.	818-045C	DECAL WARNING PINCH PT/CRUSH		
2.	818-268C	DECAL BLADE ROTATION RC45180		
3.	818-276C	DECAL WARNING OPERATING ANGLE		
4.	818-552C	DECAL DANGER PTO DRIVELINE		
5.	818-543C	DECAL DANGER PD GUARD MISS SML		
6.	838-585C	DECAL DOMINATOR	RC6010 RCM6010 Beige & Red Colored Units S/N 418250	
6.	838-636C	DECAL DOMINATOR GREEN	On Green Colored Units S/N 418250	
7.	818-190C	DECAL FLAG		
8.	818-130C	DECAL CAUTION 540 RPM		
9.	818-556C	DECAL DANGER THROWN OBJ CUTTER		
10.	818-561C	DECAL DANGER RAISED WING HAZAR		
11.	818-230C	DECAL RED REFLECTOR		
12.	818-229C	DECAL AMBER REFLECTOR		
13.	818-540C	DECAL DANGER GUARD MISS PTO		
14.	818-680C	DECAL IMPORTANT - SLIP CLUTCH		
15.	818-681C	DECAL NOTICE - 20 MPH MAX		
16.	818-830C	DECAL SAFETY COMBO SUNWEST		
17.	818-564C	DECAL RC OSHA AG CHAIN GUARD		
18.	838-243C	DECAL LANDPRIDE 30" BLACK		
19.	838-098C	DECAL RC6010-BROWN		
20.	838-096C	DECAL RC6010-BEIGE		
21.	838-094C	DECAL WARNING HYD PRESS LONG		
22.	818-840C	DECAL DANGER ROLLOVER HAZARD		
23.	838-588C	FOLDING CUTTER SPEED WARNING		
24.	818-552C	DECAL DANGER PTO DRIVELINE		
25.	818-680C	DECAL IMPORTANT - SLIP CLUTCH		
26.	818-862C	DECAL 5 YEAR GEARBOX WARRANTY		
27.	818-902C	DECAL LANDPRIDE 16" - BIEGE		

Label Placement

Applies to RCBM6015



18318

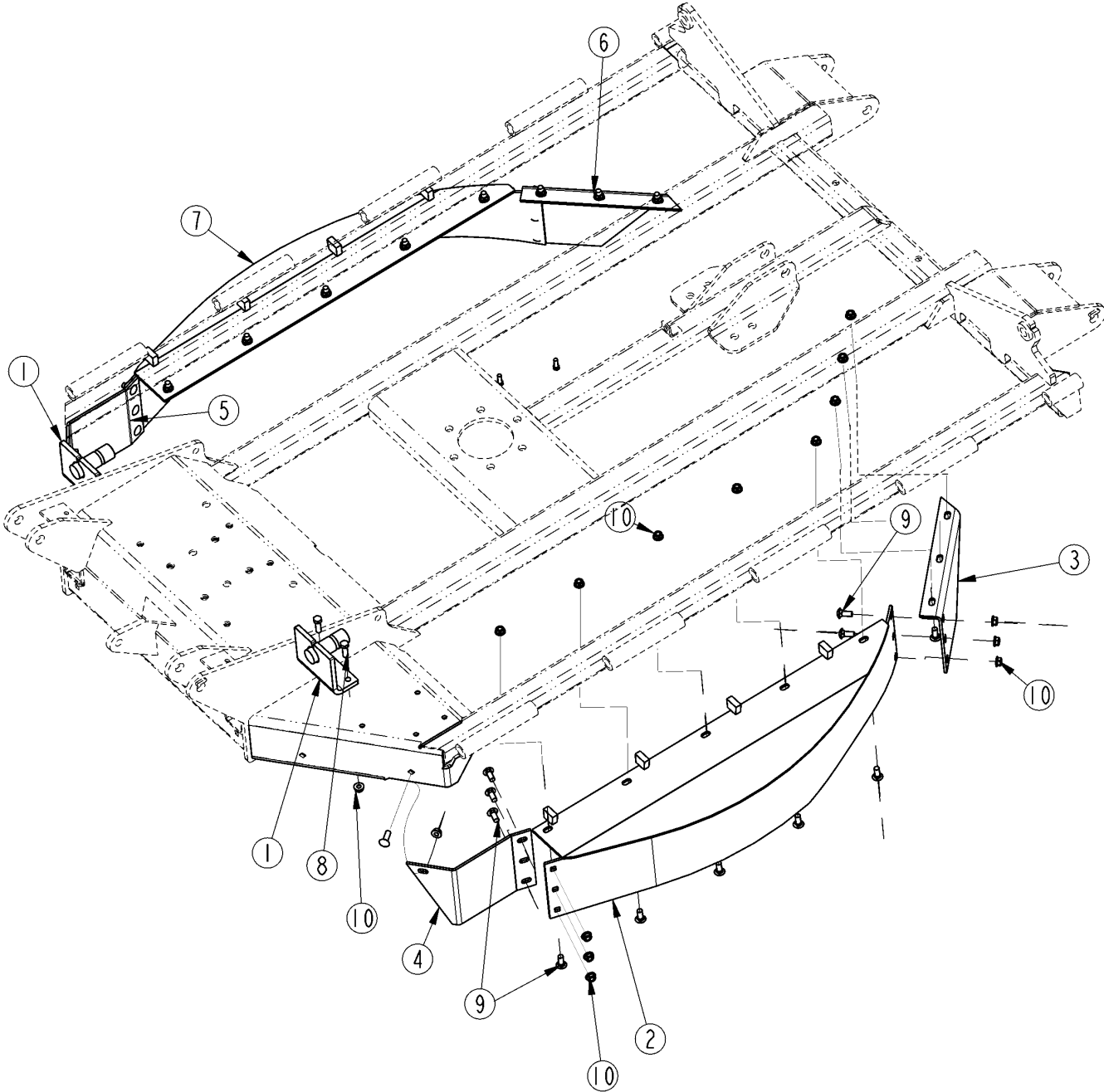
Label Placement

Applies to RCBM6015

Ref	Part No.	Part Description	Comments	Revision
	dwg18318	Drawing Image Number		
1.	818-045C	DECAL WARNING PINCH PT/CRUSH		
2.	818-276C	DECAL WARNING OPERATING ANGLE		
3.	818-552C	DECAL DANGER PTO DRIVELINE		
4.	818-543C	DECAL DANGER PD GUARD MISS SML		
5.	838-585C	DECAL DOMINATOR	On Beige & Red Colored Units	
5.	838-636C	DECAL DOMINATOR GREEN	On Green Colored Units	
6.	818-190C	DECAL FLAG		
7.	818-130C	DECAL CAUTION 540 RPM		
8.	818-561C	DECAL DANGER RAISED WING HAZAR		
9.	818-230C	DECAL RED REFLECTOR		
10.	818-229C	DECAL AMBER REFLECTOR		
11.	818-680C	DECAL IMPORTANT - SLIP CLUTCH		
12.	818-681C	DECAL NOTICE - 20 MPH MAX		
13.	818-830C	DECAL SAFETY COMBO SUNWEST		
14.	818-564C	DECAL DANGER ROTATING BLADES		
15.	818-902C	DECAL LANDPRIDE 16" - BIEGE		
16.	818-939C	DECAL RC6015-BROWN		
17.	838-047C	DECAL RC6015-BEIGE		
18.	838-094C	DECAL WARNING HYD PRESS LONG		
19.	818-840C	DECAL DANGER ROLLOVER HAZARD		
20.	818-556C	DECAL DANGER THROWN OBJ CUTTER		
21.	818-540C	DECAL DANGER GUARD MISS PTO		
22.	838-243C	DECAL LANDPRIDE 30" BLACK		

Baffle Option (318-402A)

Applies to RCBM6015



21261

Baffle Option (318-402A)**Applies to RCBM6015**

Ref	Part No.	Part Description	Comments	Revision
	dwg21261	Drawing Image Number		
1.	318-282H	WLDMT.DRIVELINE STORAGE BRKT.		
2.	318-303H	WELDMENT CENTER BAFFLE LH.		
3.	318-308D	BAFFLE REAR MOUNTING PLATE LH.		
4.	318-346D	BAFFLE FRT. MOUNTING PLATE LH.		
5.	318-347D	BAFFLE FRT. MOUNTING PLATE RH.		
6.	318-383D	BAFFLE REAR MOUNTING PLATE RH.		
7.	318-403H	WELDMENT CENTER BAFFLE RH.		
8.	802-091C	HHCS 1/2-13X1 1/2 GR5		
9.	802-214C	RHSNB 1/2-13X1 1/4 GR5		
10.	803-037C	NUT HEX WHIZ 1/2-13 PLT		



Part Number Index

The Part Number Index is a numeric index of all part numbers included in this manual. The index shows what page(s) the part is used on.

Part Number	Page	Part Number	Page	Part Number	Page	Part Number	Page
0.121.7101.00	71, 73, 163, 165, 167	090148	67, 69	1528304	45	1D1155-17	89, 181
0.252.7525.00	71, 73, 163, 165, 167	090149	67, 69	1528305	135	1D1159-4	85, 177
0.285.7510.00	71, 73, 163, 165, 167	090150	67, 69	1528901	61, 157	1D1401-250	89, 181
0.288.7101.00	15, 71, 73, 107, 163, 165, 167	097133	63, 159	155.150.726	43, 133	1D1401-350	85, 177
0.305.0300.01	75, 169	097140	41, 47, 63, 139, 141, 159	158.018.470	49, 143, 145	1D1505-3	89, 181
0.305.1300.00	75, 169	1.181.7101.00	71, 73, 163, 165, 167	165.000.548	51, 53, 147, 149	1D1509-4	85, 177
0.305.2000.00	75, 169	100114	67, 69	165.000.589	43, 49, 51, 53, 65, 133, 143, 145, 147, 149, 161	1D1551-16275	85, 89, 177, 181
0.305.3000.00	75, 169	100118	67, 69	165.000.628	49, 143	1M6010	87, 91, 179, 183
0.305.5001.00	75, 169	1006020	45, 61, 135, 157	165.000.629	145	200-001D	25, 27, 29, 31, 33, 35, 117, 119, 121, 123, 125, 127
0.305.6000.00	75, 169	1006220	61, 157	165.000.694	49, 143, 145	200003	77
0.709.7500.00	71, 73, 75, 163, 165, 167, 169	1016025	61, 157	165.000.785	49, 143, 145	200127	67, 69
0.712.7500.00	71, 73, 163, 165, 167	104810	139, 141	168556	55, 57, 151	240274	67, 69
010063	77	1106025	61, 157	170.016.630.1	43, 133	294753	83, 175
010167	67	1106525	45, 135	1705009	59, 153, 155	2A0006	87, 91, 179, 183
010168	69	1138007	59, 153, 155	1706027	45, 61, 135, 157	2A0012	87, 91, 179, 183
020061	77	1138008	59, 153, 155	1706029	61, 157	2A0014	91, 183
020110	77	120025	77	1706033	59, 153, 155	2A0016	87, 179
020162	77	120092	15, 107	1708016	59, 155	2A0024	87, 91, 179, 183
020211	67	120094	67, 69	1708017	153	2A0079-616	85, 89, 177, 181
020212	69	120095	67, 69	1708034	59, 155	2A0132	87, 91, 179, 183
020672	47, 139, 141	1215012	59, 153, 155	172758	47	2A0208	87, 91, 179, 183
030412	77	1215733	61, 157	1786710	61, 157	2A0235-6	85, 89, 177, 181
030413	77	1215735	61, 157	1786711	61, 157	2A0236-9	85, 177
030414	77	122.580.023.1	65, 161	180.014.022	51, 53, 147, 149	2A0246-12	89, 181
030417	67, 69	122.580.501.1	143, 145	180.014.240	49, 65, 143, 145, 161	2A0308-1	85, 89, 177, 181
030418	67, 69	122.580.510.1	49	180.016.025	49, 65, 143, 145, 161	2A0578-1675	89, 181
040121	77	122.580.511.1	65, 161	180.016.130	43, 133	2A0581-1325	85, 177
040124	77	122.981.002.1	143, 145	180.016.004	49, 65, 143, 145, 161	2M4418	91, 183
040300	67, 69	122.981.027.1	49	180.018.158	49, 143, 145	2M5416	87, 179
040313	67, 69	130002	67	180.018.251	49, 65, 143, 145, 161	304011	41, 47, 55, 63, 137, 139, 141, 151, 159
040314	67, 69	130021	77	180.018.252	49, 65, 143, 145, 161	304065	55, 151
042454	55, 57, 151	130030	77	180.018.393	49, 65, 143, 145, 161	312-075D	9, 101
042459	55, 57, 151	130560	81, 83, 173, 175	180.018.437	49, 65, 143, 145, 161	312-082D	9, 101
043489	55, 57, 151	134953	81, 173	180.018.567	49, 143, 145	312-089D	9, 101
044321	47, 61, 63, 139, 141, 157, 159	135995	81, 173	180.019.014	51, 53, 147, 149	312-399H	15, 107
050008	77	140017	67, 69	180.019.018	51, 53, 147, 149	312-400H	15, 107
050012	77	140044	67, 69	180.019.019	51, 53, 147, 149	312-611D	11, 15, 103, 107
050013	77	140046	77	180.019.115	51, 53, 147, 149	312-808D	9, 101
050014	77	1406016	135, 153	180.019.116.1	51, 53, 147, 149	312209	41, 47, 63, 137, 139, 141, 159
050015	77	141.026.357.1	43, 133	1808010	59, 153, 155	318-004H	17, 109
050200	67, 69	141.028.195.1	49, 65, 143, 145, 161	186397	55, 151	318-007H	17, 109
050201	67, 69	141.028.248.1	49, 143, 145	186561	83, 175	318-008H	17, 109
050202	67, 69	141.028.358.1	49	186562	81, 173	318-017H	21, 23, 113, 115
050203	67, 69	141.028.359.1	143	1876111	61, 157	318-018H	23, 115
060020	77	141.028.360.1	145	1876901	61, 157	318-040D	23, 115
060051	67, 69, 77	141.028.472.1	49, 143, 145	1877111	61, 157	318-050L	33, 125
060115	67, 69	1422831412821	49	1877901	61, 157	318-051L	33, 125
070057	77	1422831442821	143, 145	1885702	61, 157	318-052L	17, 109
070058	77	1422831949821	65, 161	1885703	61, 157	318-055L	21, 23, 113, 115
070140	77	1422871029821	65, 161	1885709	61, 157	318-065K	37, 129
070141	77	1422871632821	49	190.000.016	43, 133	318-066K	37, 129
070142	77	1422871642821	143, 145	190.000.243	49, 65, 143, 145, 161	318-068K	39, 131
070151	77	1446016	45, 59, 61, 155, 157	193839	137	318-069K	39, 131
070240	67, 69	146.264.024.1	43, 51, 133, 147	1A1141	85, 177	318-070K	37, 129
070241	67, 69	146.284.020.1	53, 65, 149, 161	1D0005-1450	89, 181	318-071K	37, 129
070242	67, 69	151.016.031.1	43, 133	1D0009-1050	85, 177	318-072K	39, 131
070242	67, 69	151.016.037.1	51, 147	1D0205-1262	85, 177	318-085D	25, 117
084099	45	151.018.016.1	53, 149	1D0206-1675	89, 181	318-086D	15, 107
087276	47, 63, 139, 141, 159	151.018.228.1	51, 53, 147, 149	1D1003-5	85, 89, 177, 181	318-087D	15, 107
090003	77	151.018.241.1	65, 161			318-096D	15, 21, 107, 113
090144	67, 69	1522805260710	143, 145			318-097K	37, 129
090145	67, 69	1522805320710	49			318-105D	37, 129
090146	67, 69	1522805450710	65, 161				
090147	67, 69	1526121	61, 157				
		1528014D	45				
		1528121	61, 157				

Table of Contents Part Number Index



Part Number Index (continued)

Part Number	Page	Part Number	Page	Part Number	Page	Part Number	Page
318-106D	39, 131	318-330K	37, 129	355527	47	6M5142	87, 179
318-107D	37, 39, 129, 131	318-331K	37, 129	363696	139	702352	41, 47, 63, 137, 139, 141, 159
318-107H	21, 113	318-332K	39, 131	363729	141	7M4320	91, 183
318-108D	37, 129	318-333K	39, 131	364915	47, 139, 141	7M5316	87, 179
318-109D	39, 131	318-335D	15, 107	365305	47, 63, 139, 141, 159	8.0.9.00079	71, 73, 163, 165, 167
318-111K	21, 113	318-336D	39, 131	365725	47, 139, 141	8.0.9.00143	71, 73, 75, 163, 165, 167, 169
318-116D	37, 129	318-337D	37, 129	377437	63, 159	8.0.9.01090	71, 73, 163, 165, 167
318-117D	37, 129	318-339D	37, 129	377442	47, 139, 141	8.1.1.00109	75, 169
318-119D	39, 131	318-340D	37, 129	377589	47	8.1.1.00501	71, 73, 163, 165, 167
318-120D	39, 131	318-341D	37, 129	380371	47, 63, 139, 141, 159	8.2.2.00560	11, 15, 71, 73, 103, 107, 163, 165, 167
318-121D	37, 129	318-341H	15, 107	381367	139	8.4.7.01045	71, 73, 163, 165, 167
318-122D	37, 129	318-342D	39, 131	381495	55, 57, 151	8.4.7.02265	71, 73, 163, 165, 167
318-123D	37, 39, 129, 131	318-342H	15, 107	381957	55, 57, 151	8.5.1.00533	71, 73, 163, 165, 167
318-124D	37, 129	318-343D	39, 131	382223	63, 159	8.5.2.00332	71, 73, 163, 165, 167
318-141D	37, 129	318-346D	99, 191	383805	55, 63, 151, 159	8.5.2.01772	75, 169
318-141H	12, 103	318-347D	99, 191	384303	47	8.6.5.00006	71, 73, 163, 165, 167
318-142D	37, 129	318-353D	21, 113	384316	47, 139, 141	8.6.5.00203	71, 73
318-143D	37, 129	318-354D	21, 113	386048	47, 139, 141	8.6.6.00201	75, 169
318-145H	11, 103	318-354K	21, 113	386560	141	8.6.7.00269	75, 169
318-146H	11, 103	318-356S	17, 109	386561	47	8.7.1.02349	71, 73, 163, 165, 167
318-159S	9, 11, 101	318-357H	17, 109	387097	139	8.7.3.00331	71, 73, 75, 163, 165, 167, 169
318-160D	21, 113	318-358H	17, 109	387723	141	800-001C	17, 23, 25, 29, 33, 109, 115, 117, 121, 125
318-161S	9, 101	318-364H	9, 101	387767	63, 159	800-080C	11, 17, 25, 27, 31, 35, 103, 109, 117, 119, 123, 127
318-163S	9, 101	318-368V	9, 101	388141	47	800-117C	93, 185
318-164H	9, 101	318-369S	9, 11, 101, 103	388204	139	800-130C	23, 115
318-165V	9, 101	318-370S	9, 15, 101, 107	388698	47	800-306C	79, 171
318-167D	11, 103	318-371S	15, 107	391358	57	801-018C	37, 129
318-169H	11, 103	318-383D	99, 191	391359	137	801-023C	81, 83, 173, 175
318-170D	15, 107	318-398L	93, 185	391406	139	802-005C	12, 104
318-171D	15, 107	318-401H	11, 103	391639	141	802-007C	11, 15, 103, 107
318-172K	39, 131	318-403H	99, 191	391707	63, 159	802-015C	21, 113
318-174K	39, 131	318-406H	17, 109	391708	41, 57	802-017C	11, 27, 35, 37, 67, 69, 103, 119, 127, 129
318-183D	39, 131	318-555S	17, 109	391709	41	802-022C	21, 23, 113, 115
318-184D	39, 131	318-568H	103	3M4410	91, 183	802-023C	11, 103
318-188H	25, 117	318-570H	17, 109	3M5408	87, 179	802-042C	37, 129
318-189H	33, 125	318-571H	29, 31, 121, 123	491742	83, 175	802-053C	11, 103
318-190D	9, 101	318-573H	29, 31, 121, 123	491798	81, 173	802-058C	12, 103
318-190H	33, 125	318-576H	33, 35, 125, 127	492282	83, 175	802-064C	11, 15, 103, 107
318-196D	21, 113	318-583H	33, 35, 125, 127	492338	81, 173	802-065C	9, 11, 15, 101, 107
318-198D	21, 113	318-620D	37, 129	492652	81, 83, 173, 175	802-070C	11, 103
318-252H	17, 109	318-623H	25, 27, 117, 119	492676	81, 173	802-073C	23, 33, 115, 125
318-253H	17, 109	318-633K	37, 129	492677	81, 173	802-074C	17, 109
318-254L	17, 109	318-661D	17, 109	492700	81, 173	802-075C	31, 123
318-256H	11, 103	318-678L	17, 109	492721	83, 175	802-079C	67, 69, 77
318-257H	11	318-688H	17, 109	492722	83, 175	802-091C	99, 191
318-258H	15, 107	318-691D	17, 109	492870	83, 175	802-096C	17, 109
318-259H	15, 107	318-693D	17, 109	494754	81, 173		
318-271A	12, 103	318-693H	11	4M4104	91, 183		
318-272K	37, 129	318-694H	17, 109	4M5102	87, 179		
318-273K	37, 129	318-744H	17, 109	5M4120	91, 183		
318-274K	37, 129	318-745H	17, 109	5M5116	87, 179		
318-275K	39, 131	318-746S	17, 109	6141280	45, 135		
318-276K	39, 131	318-833S	17, 109	6331070	61, 157		
318-277K	39, 131	318-834H	17, 109	6331080	45, 61, 135, 157		
318-278K	39, 131	318-835H	17, 109	6410112	45, 135		
318-282H	99, 191	318-850H	17, 109	6410114	61, 157		
318-284K	37, 129	318-851H	27, 119	6412112	45, 135		
318-285K	37, 129	318-852H	35, 127	6412114	61, 157		
318-286K	37, 39, 129, 131	318-853H	23, 35, 115, 127	645599	83, 175		
318-303H	99, 191	318-854H	23, 27, 115, 119	648411	81, 173		
318-304L	37, 129	318-855H	29, 121	6560006	61, 157		
318-308D	99, 191	318-966H	31, 123	6560508	61, 135, 157		
318-310D	37, 129	323524	63, 159	6691010	59, 155		
318-313H	25, 27, 117, 119	324822	55, 57, 151	6691080	153		
318-322D	11, 103	325027	41, 47, 63, 137, 139, 141, 159	6761280	45, 135		
318-324K	37, 129	330162	141	6761480	61, 157		
318-325K	37, 129	331573	139, 141	6821483	153		
318-326K	37, 129	351793	55, 151	6821484	59, 153, 155		
318-327K	39, 131	355155	47, 63, 139, 141, 159	6M4152	91, 183		
318-328K	39, 131						
318-329K	37, 129						



Part Number Index (continued)

Part Number	Page	Part Number	Page	Part Number	Page	Part Number	Page
802-099C	25, 27, 29, 31, 33, 35, 117, 119, 121, 123, 125, 127	803-308C	25, 29, 33, 117, 121, 125	814-066C	25, 33, 117, 125	820-170C	9, 101
802-104C	25, 33, 117, 125	803-310C	27, 31, 35, 119, 123, 127	814-086C	25, 33, 117, 125	820-188C	9, 101
802-106C	15, 39, 107, 131	803-314C	11	814-189C	25, 33, 117, 125	820-189C	9, 101
802-110C	17, 25, 29, 31, 109, 117, 121, 123	804-007C	12, 104	814-201C	25, 33, 117, 125	820-190C	9, 101
802-135C	25, 29, 33, 117, 121, 125	804-009C	11, 15, 23, 103, 107, 115	814-202C	25, 33, 117, 125	822-020C	27, 31, 35, 119, 123, 127
802-183C	21, 113	804-010C	11, 15, 103, 107	814-262C	25, 29, 33, 117, 121, 125	822-021C	27, 31, 35, 119, 123, 127
802-184C	11	804-011C	11, 103	814-263C	25, 29, 33, 117, 121, 125	822-033C	27, 31, 35, 119, 123, 127
802-192C	17, 109	804-012C	11, 15, 103, 107	814-265C	27, 31, 35, 119, 123, 127	822-034C	27, 31, 35, 119, 123, 127
802-205C	23, 25, 29, 31, 115, 117, 121, 123	804-013C	11, 15, 21, 23, 69, 77, 103, 107, 113, 115	814-266C	29, 31, 121, 123	822-091C	25, 29, 33, 117, 121, 125
802-214C	15, 37, 39, 99, 107, 129, 131, 191	804-015C	25, 33, 117, 125	814-267C	29, 31, 121, 123	822-092C	25, 29, 33, 117, 121, 125
802-235C	11, 17, 23, 103, 109, 115	804-016C	25, 33, 117, 125	814-268C	29, 31, 121, 123	826-117C	11, 47
802-240C	25, 33, 117, 125	804-019C	11, 103	814-284C	27, 35, 119, 127	826-179C	11, 75, 77
802-277C	9, 101	804-023C	11	814-285C	27, 31, 35, 119, 123, 127	826-180C	103, 169
802-357C	29, 33, 121, 125	804-025C	17, 109	814-288C	27, 31, 35, 119, 123, 127	826-183C	11, 45
802-456C	11, 103	804-028C	11, 17, 103, 109	814-295C	27, 35, 119, 127	826-184C	103, 135
802-466C	15, 21, 107, 113	804-029C	17, 23, 27, 29, 31, 35, 109, 115, 119, 121, 123, 127	814-296C	27, 35, 119, 127	826-185C	15, 61, 107, 157
802-585C	37, 129	804-055C	25, 29, 33, 117, 121, 125	814-297C	27, 35, 119, 127	826-231C	15, 67
802-594C	17, 109	804-100C	37, 129	815-093C	25, 33, 117, 125	826-232C	15, 69
802-649C	23, 115	804-147C	9, 101	815-108C	33, 125	826-244C	139
802-779C	27, 31, 35, 119, 123, 127	804-169C	11, 15, 103, 107	815-109C	25, 33, 117, 125	826-245C	141
803-008C	23, 115	804-171C	17, 109	815-141C	25, 117	826-260C	11, 41
803-013C	11, 103	804-216C	27, 31, 35, 119, 123, 127	815-199C	29, 121	826-261C	137
803-014C	21, 23, 113, 115	805-016C	25, 29, 33, 117, 121, 125	815-230C	25, 29, 33, 117, 121, 125	826-262C	15, 63, 107, 159
803-017C	25, 33, 117, 125	805-045C	11, 17, 103, 109	815-237C	35, 127	826-317C	163
803-019C	25, 27, 29, 31, 33, 35, 117, 119, 121, 123, 125, 127	805-065C	103	815-238C	35, 127	826-318C	165
803-020C	83, 175	805-083C	17, 109	815-240C	27, 119	826-319C	167
803-022C	81, 173	805-088C	23, 115	815-241C	31, 123	826-320C	11, 15, 71
803-026C	11, 15, 18, 103, 107, 110	805-104C	23, 115	815-243C	27, 31, 35, 119, 123, 127	826-321C	15, 73
803-029C	25, 29, 33, 117, 121, 125	805-105C	11, 15, 17, 103, 107, 109	816-098C	25, 29, 33, 117, 121, 125	826-322C	107, 163
803-030C	17, 109	805-146C	18, 23, 27, 29, 31, 35, 110, 115, 119, 121, 123, 127	816-481C	12, 103	826-323C	103, 165
803-037C	11, 15, 21, 37, 39, 99, 103, 107, 113, 129, 131, 191	805-246C	27, 31, 35, 119, 123, 127	816-497C	27, 31, 35, 119, 123, 127	826-324C	107, 167
803-053C	27, 31, 35, 119, 123, 127	805-309C	11, 103	817-259C	11, 103	826-476C	11, 49
803-075C	17, 109	806-026C	25, 27, 117, 119	817-416C	11, 103	826-477C	103, 143
803-088C	37, 129	807-023C	11, 103	818-045C	95, 97, 187, 189	826-478C	11, 43, 103, 133
803-168C	11, 17, 18, 23, 25, 29, 31, 33, 103, 109, 110, 115, 117, 121, 123, 125	807-143C	11, 103	818-055C	37, 129	826-481C	15, 65, 107, 161
803-170C	9, 101	810-015C	91, 183	818-130C	95, 97, 187, 189	826-499C	103, 145
803-181C	9, 17, 101, 109	810-146C	85, 177	818-190C	95, 97, 187, 189	827-001C	25, 27, 29, 31, 117, 119, 121, 123
803-198C	15, 21, 37, 107, 113, 129	810-149C	87, 179	818-229C	95, 97, 187, 189	838-047C	97, 189
803-231C	11, 15, 103, 107	810-162C	79, 81, 85, 87, 171, 173, 177, 179	818-230C	95, 97, 187, 189	838-094C	95, 97, 187, 189
803-255C	12, 104	810-177C	89, 181	818-268C	95, 187	838-096C	95, 187
803-263C	25, 27, 117, 119	810-178C	89, 181	818-276C	95, 97, 187, 189	838-098C	95, 187
803-265C	17, 109	810-312C	83, 89, 91, 93, 175, 181, 183, 185	818-540C	47, 61, 63, 95, 97, 139, 141, 157, 159, 187, 189	838-243C	95, 97, 187, 189
803-266C	23, 115	811-062C	93, 185	818-543C	95, 97, 187, 189	838-585C	95, 97, 187, 189
803-271C	11, 12, 103	811-063C	79, 171	818-552C	47, 61, 63, 95, 97, 139, 141, 189	838-588C	95, 187
803-301C	17, 109	811-133C	93, 185	818-561C	95, 97, 187, 189	838-636C	95, 97, 187, 189
		811-165C	93, 185	818-564C	95, 97, 187, 189	890-005C	12, 31, 104, 123
		811-394C	79, 93, 171, 185	818-680C	95, 97, 187, 189	890-175C	37, 129
		811-619C	79, 171	818-681C	95, 97, 187, 189	890-182C	17, 109
		814-059C	25, 29, 33, 117, 121, 125	818-830C	95, 97, 187, 189	890-226C	17, 109
				818-840C	95, 97, 187, 189	890-341C	21, 39, 113, 131
				818-862C	95, 187	890-393C	21, 37, 39, 113, 129, 131
				818-902C	95, 97, 187, 189	890-506C	23, 115
				818-939C	97, 189	890-671C	11, 103
				820-168C	9, 101	890-672C	37, 39, 129, 131
				820-169C	9, 101	890-679C	11, 103
						890-680C	12, 103
						890-766C	27, 29, 31, 119, 121, 123
						890-817C	29, 31, 121, 123
						890-819C	35, 127
						890-858C	17, 109
						890-862C	17, 109



Part Number Index (continued)

Part Number	Page
890-893C	23, 115
97140	137
990-208R	37, 39, 129, 131
dwg11421	85, 87, 177, 179
dwg12345	83, 175
dwg14067	47, 139, 141
dwg15242	91, 183
dwg15427	79, 171
dwg15503	77
dwg15521	59, 155
dwg15523	153
dwg15570	45
dwg15572	89, 181
dwg16916	57
dwg16965	41, 137
dwg17004	63, 159
dwg17005	55, 151
dwg18308	17, 109
dwg18310	15, 107
dwg18311	9, 101
dwg18312	23, 115
dwg18313	25, 117
dwg18314	33, 125
dwg18315	37, 129
dwg18316	39, 131
dwg18318	97, 189
dwg18341	93, 185
dwg19030	135
dwg19604	75, 169
dwg21167	71, 163, 165
dwg21171	73, 167
dwg21261	99, 191
dwg22084	29, 121
dwg22213	21, 113
dwg22214	95, 187
dwg22220	11
dwg23944	67, 69
dwg23947	49
dwg23948	143
dwg23952	43, 133
dwg23953	65, 161
dwg23957	51, 147
dwg23958	53, 149
dwg23960	145
dwg23962	27, 119
dwg23964	31, 123
dwg23967	103
dwg23996	61, 157
dwg24522	35, 127
dwg25900	81, 173
N/A	81, 83, 173, 175
U0.125.0531.00	71, 73, 163, 165, 167
U0.125.0532.00	163, 165, 167
U0.125.1301.00	71, 73, 163, 165, 167
U0.125.2050.00	71, 73, 163, 165, 167
U0.125.3002.00	71, 73, 163, 165, 167
U0.125.3003.00	163, 165, 167
U0.125.5003.00	163, 165, 167
U0.125.5005.00	71, 73
U0.125.6003.00	163, 165, 167
U0.125.6004.00	71, 73
U0.125.7003.00	163, 165, 167
U0.125.7100.00	71, 73, 163, 165, 167



Great Plains Manufacturing, Inc.

Corporate Office: P.O. Box 5060
Salina, Kansas 67402-5060 USA

www.landpride.com

Free Manuals Download Website

<http://myh66.com>

<http://usermanuals.us>

<http://www.somanuals.com>

<http://www.4manuals.cc>

<http://www.manual-lib.com>

<http://www.404manual.com>

<http://www.luxmanual.com>

<http://aubethermostatmanual.com>

Golf course search by state

<http://golfingnear.com>

Email search by domain

<http://emailbydomain.com>

Auto manuals search

<http://auto.somanuals.com>

TV manuals search

<http://tv.somanuals.com>